



# Adjustable Hitch Kit

## TransPro® 80 Tow-Behind Trailer

Model No. 107-8188

### Installation Instructions

# Installation

## Loose Parts

Use the chart below to verify that all parts have been shipped.

Procedure	Description	Qty.	Use
1	Tongue plate	2	Install the kit.
	Hitch spacer	2	
	Trailer clevis	1	
	Hitch template	1	
	Bolt	4	
	Locknut	4	
	Adjustable hitch plate	2	

# 1

## Installing the Kit

Parts needed for this procedure:

2	Tongue plate
2	Hitch spacer
1	Trailer clevis
1	Hitch template
4	Bolt
4	Locknut
2	Adjustable hitch plate

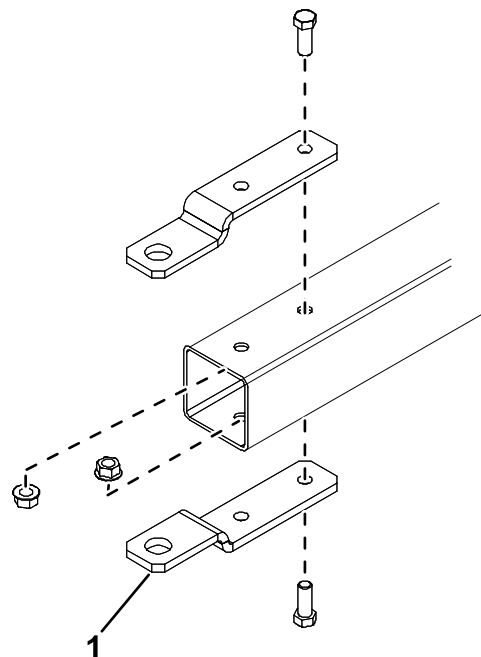


Figure 1

g573908

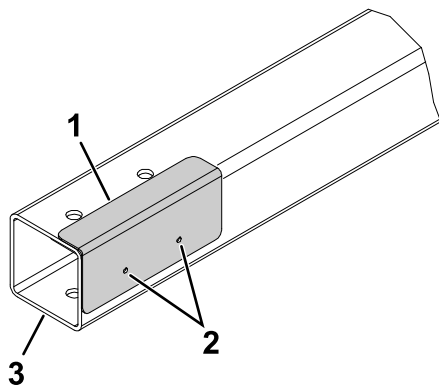
## Procedure

1. Remove the bolts and nuts that secure the existing hitch straps to the trailer tongue (Figure 1). Remove the hitch straps.

1. Hitch strap

2. Position the template onto the trailer tongue so it rests on the top and is aligned with the end (Figure 2).

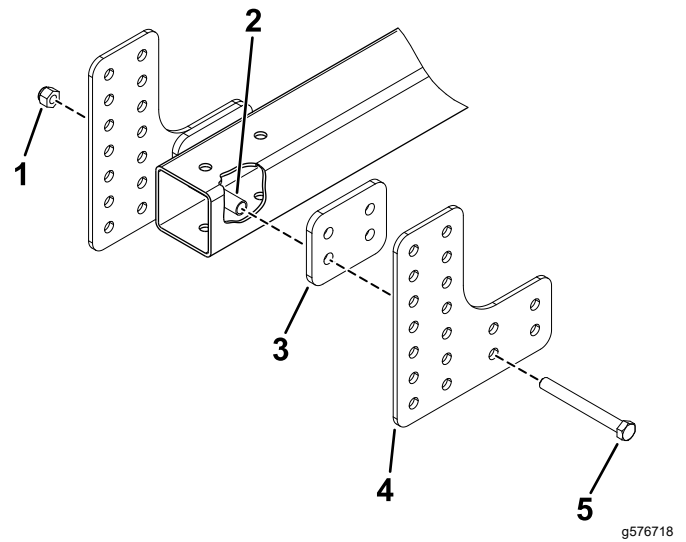




**Figure 2**

g573909

1. Template
2. Hole locations on the template
3. Trailer tongue



**Figure 3**

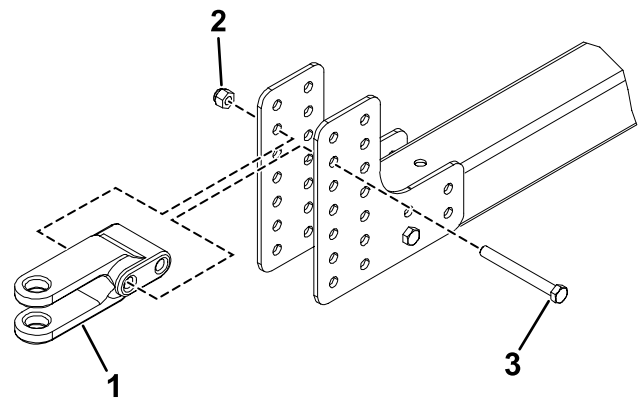
g576718

1. Locknut
2. Hitch spacer
3. Adjustable hitch plate (trailer tongues with 6.35 cm (2-1/2 inches) tubing)
4. Tongue plate
5. Bolt

3. Use the template to locate and mark the 2 hole locations (Figure 2) on each side of the trailer tongue.
4. Drill 2 holes (0.406 inch) at the locations marked.
5. Decide which tongue-plate hole sets to use.
6. Perform the following step per your specific trailer tongue:
  - For trailer tongues with 5.1 cm (2 inches) tubing: Use 2 bolts, a hitch spacer, and 2 locknuts to secure the tongue plates to the trailer tongue. Position the spacer inside the trailer tongue (Figure 3).
  - For trailer tongues with 6.35 cm (2-1/2 inches) tubing: Use 2 bolts, 2 adjustable hitch plates, a hitch spacer, and 2 locknuts to secure the tongue plates to the trailer tongue (Figure 3).

7. Mount the trailer clevis to the tongue plates with 2 bolts and 2 locknuts (Figure 4).

**Important:** The trailer tongue must be parallel to the ground when it is aligned with the tow vehicle hitch.



**Figure 4**

g576719

1. Trailer clevis
2. Locknut
3. Bolt