



## CE Kit

### Groundsmaster® 3200 or 3300 Series Traction Unit

Model No. 31953

#### Installation Instructions

# Safety

## Safety and Instructional Decals



Safety decals and instructions are easily visible to the operator and are located near any area of potential danger. Replace any decal that is damaged or missing.

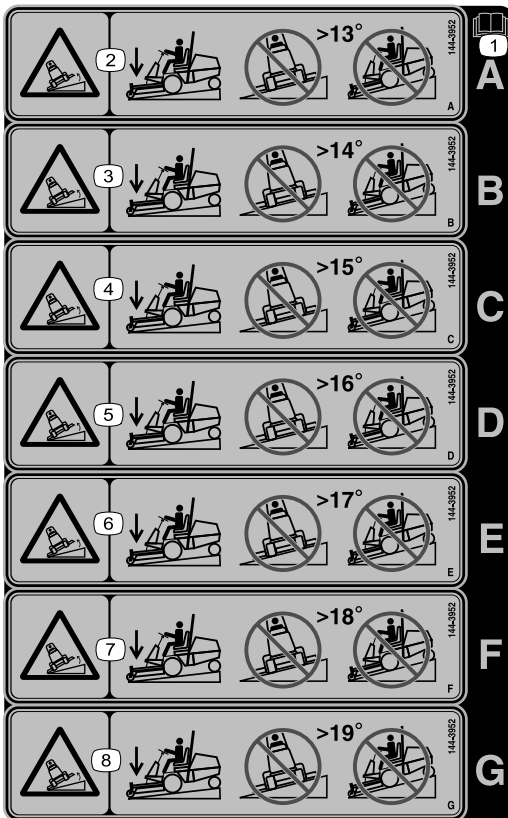


163-1841

decal163-1841

1. Read the *Operator's Manual*.





144-3952

decal144-3952

**Note:** This machine complies with the industry standard stability test in the static lateral and longitudinal tests with the maximum recommended slope indicated on the decal. Review the instructions for operating the machine on slopes in the *Operator's Manual* as well as the conditions in which you would operate the machine to determine whether you can operate the machine in the conditions on that day and at that site. Changes in the terrain can result in a change in slope operation for the machine.

1. Read the *Operator's Manual*.
2. Tipping hazard—do not mow across slopes greater than 13 degrees; do not mow up and down slopes greater than 13 degrees.
3. Tipping hazard—do not mow across slopes greater than 14 degrees; do not mow up and down slopes greater than 14 degrees.
4. Tipping hazard—do not mow across slopes greater than 15 degrees; do not mow up and down slopes greater than 15 degrees.
5. Tipping hazard—do not mow across slopes greater than 16 degrees; do not mow up and down slopes greater than 16 degrees.
6. Tipping hazard—do not mow across slopes greater than 17 degrees; do not mow up and down slopes greater than 17 degrees.
7. Tipping hazard—do not mow across slopes greater than 18 degrees; do not mow up and down slopes greater than 18 degrees.
8. Tipping hazard—do not mow across slopes greater than 19 degrees; do not mow up and down slopes greater than 19 degrees.

# Installation

**Note:** Determine the left and right sides of the machine from the operating position.

# 1

## Preparing the Machine

No Parts Required

### Procedure

1. Park the machine on a level surface.
2. Engage the parking brake.
3. Lower the attachment.
4. Shut off the engine and remove the key.

# 2

## Installing the Hood Latch

Parts needed for this procedure:

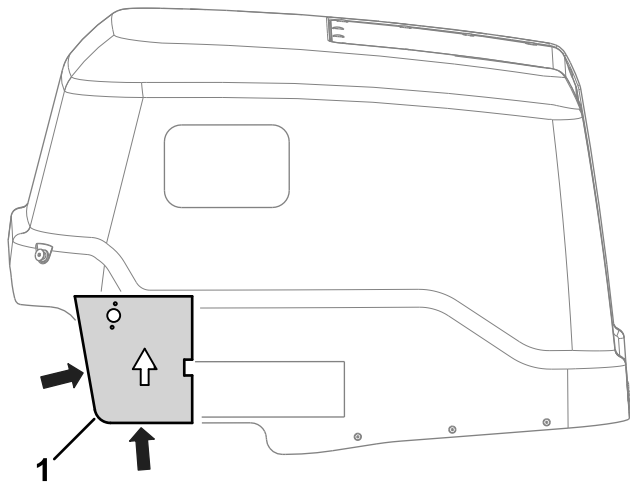
1	Latch bracket
1	Template
2	Latch plate
2	Rivet (1/2 inch)
1	Latch
1	Key

### Procedure

1. Cut out the template from the back of the manual.

**Note:** Ensure that the template scale is correct.

2. Align the template on the left side of the hood as shown in [Figure 1](#).

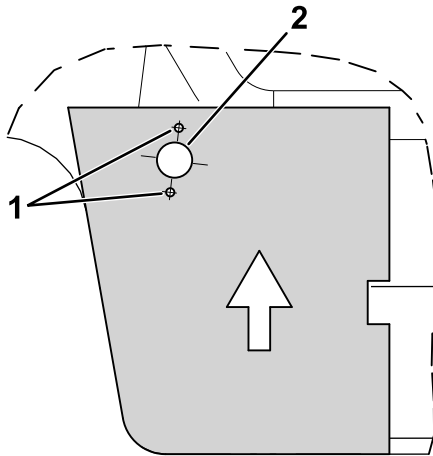


**Figure 1**

g303095

1. Template

3. Drill 3 holes into the hood as shown in [Figure 2](#).

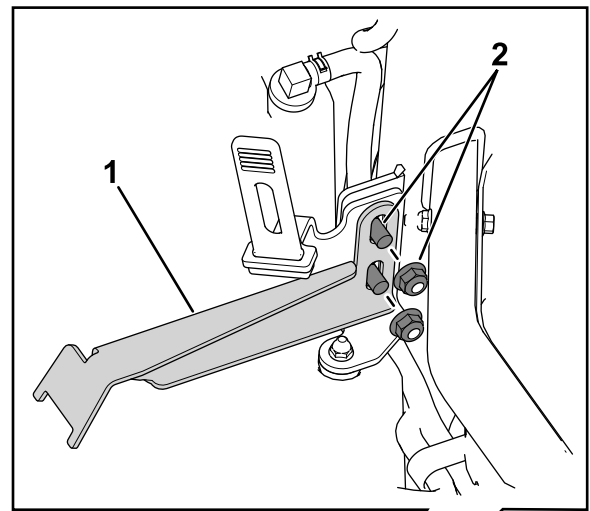


**Figure 2**

g303094

1. Drill hole—0.48 cm (3/16 inch)
2. Drill hole—2.06 cm (13/16 inch)

4. Use the existing hood-strap hardware to secure the latch bracket to the hood strap ([Figure 3](#)).

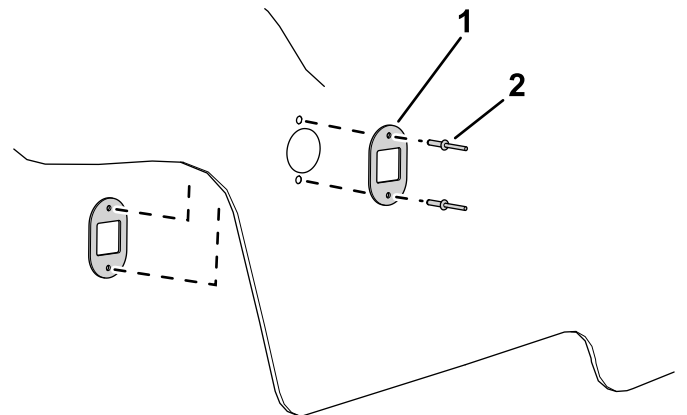


**Figure 3**

g303415

1. Latch bracket
2. Existing hardware

5. Use 2 rivets (1/2 inch) to secure the latch plates to the hood ([Figure 4](#)).



**Figure 4**

g305610

1. Latch plate
2. Rivet (1/2 inch)

6. Remove the jam nut from the key latch.
7. Insert the key latch into the hood ([Figure 5](#)).



## Slope Decal per Traction Unit and Attachment Configuration

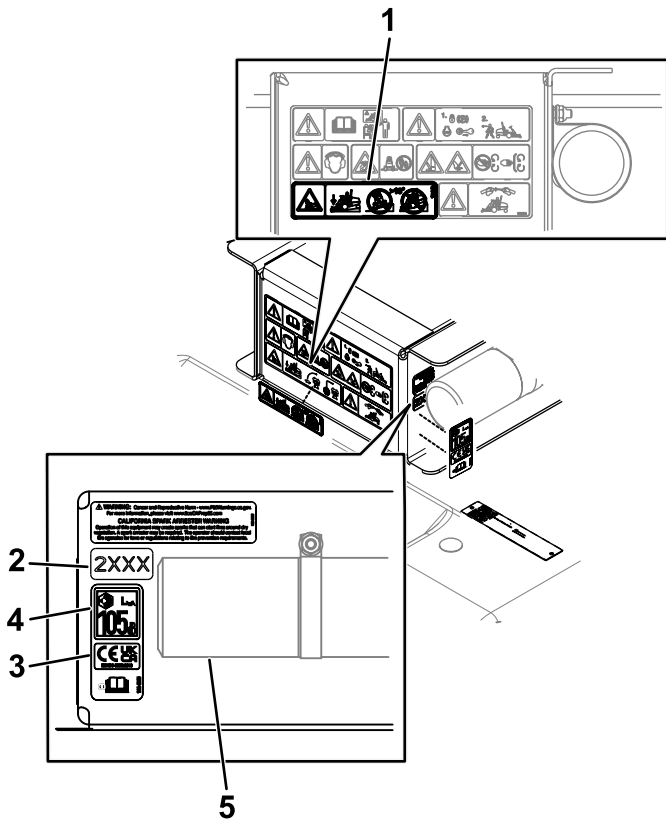
Traction Unit Model Number	Attachment Model Number or Name	Slope Decal	
		Decal to meet required slope standard*	Decal for improved slope performance*
31900	31970	A	E
	31970 and Sunshade	A	D
	31971	A	E
	31971 and Sunshade	A	D
	31972	A	D
	31972 and Sunshade	B	C
	31973	A	D
	31973 and Sunshade	B	C
	31974	A	E
	31974 and Sunshade	A	D
	31975	A	D
	31975 and Sunshade	B	C
	02835	B	C
	02835 and Sunshade	A	B
31901	31970	B	G
	31970 and Sunshade	B	E
	31971	B	G
	31971 and Sunshade	B	E
	31972	B	F
	31972 and Sunshade	A	D
	31973	B	F
	31973 and Sunshade	A	D
	31974	B	G
	31974 and Sunshade	B	E
	31975	B	F
	31975 and Sunshade	B	D
	02835	B	E
	02835 and Sunshade	A	D

## Slope Decal per Traction Unit and Attachment Configuration (cont'd.)

Traction Unit Model Number	Attachment Model Number or Name	Slope Decal	
		Decal to meet required slope standard*	Decal for improved slope performance*
31902	31970	B	F
	31970 and Sunshade	B	D
	31971	B	F
	31971 and Sunshade	B	D
	31972	A	E
	31972 and Sunshade	A	B
	31973	A	E
	31973 and Sunshade	A	B
	31974	B	F
	31974 and Sunshade	B	D
	31975	A	E
	31975 and Sunshade	A	B
	02835	A	D
	02835 and Sunshade	A	—
31903	31970	A	—
	31971	A	—
	31972	A	—
	31973	A	—
	31974	A	—
	31975	A	—
	02835	A	—

\*When equipped with the appropriate amount of rear weight as shown in your *Operator's Manual*.

2. Peel the appropriate slope decal from the backing and discard the remaining decals.
3. Install the slope decal (Part No. 144-3952) on the existing warning-decal location as shown in [Figure 6](#).



**Figure 6**

g417745

1. Slope decal
2. Model year decal
3. CE/UK decal
4. Sound decal
5. Manual tube

- Install the CE and sound decal (Part No. 144-4015) near the model year decal as shown in [Figure 6](#).

**If you have the F60 Flail Mower equipped:** You do not need to install the sound decal.

# 4

## Adjusting the Engine Speed

### Parts needed for this procedure:

2	Cable guard (Model 31900 and 31901 machines only)
2	Rivet—1/8 inch (Model 31900 and 31901 machines only)

To meet CE noise certification requirements, you must adjust the engine speed for the following machines:

- Model 31900 and 31901 machines: Refer to [Adjusting the Engine Speed and Installing the Cable Guards](#) (page 7).
- Model 31902 and 31903 machines: Refer to [Adjusting the Engine Speed](#) (page 8).

## Adjusting the Engine Speed and Installing the Cable Guards

### Model 31900 and 31901 Machines

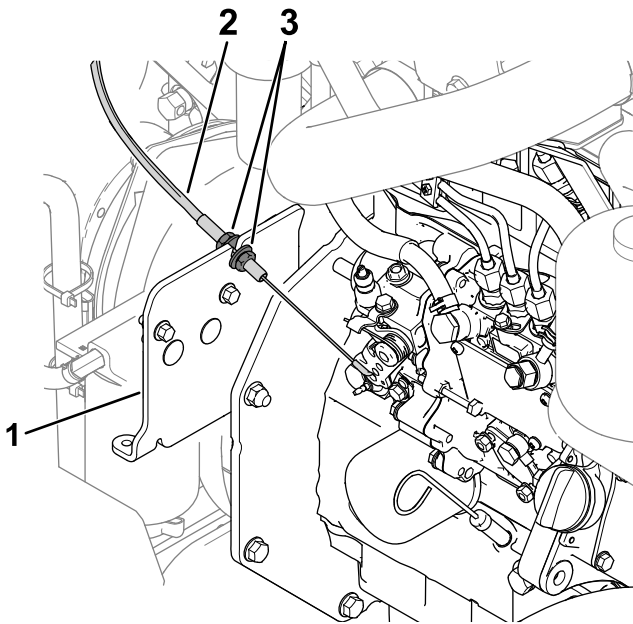
**Note:** Use a tachometer to observe the engine speed.

1. Start the engine and allow it to warm up to 71 to 77°C (160 to 170°F).

**Note:** The display screen shows the engine temperature.

2. Use the throttle control to increase the engine speed to high idle.
3. Observe the current high-idle engine speed on your tachometer.
4. Loosen the throttle-cable jam nuts ([Figure 7](#)).

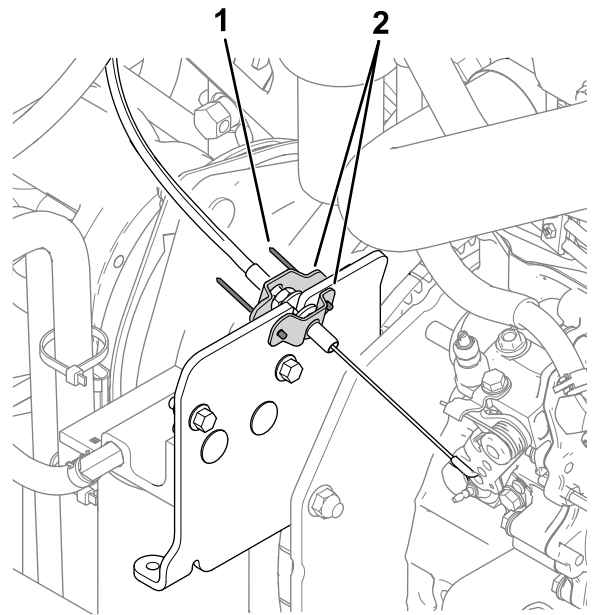
**Note:** The throttle cable is located on the left side of the engine.



g354041

**Figure 7**

- 1. Cable bracket
- 2. Throttle cable
- 3. Jam nuts



g319044

**Figure 8**

- 1. Rivet
- 2. Cable guards

- 
- 5. Adjust the throttle cable in the bracket (Figure 7) to attain a speed of 3,100 rpm.
  - 6. Tighten the throttle-cable jam nuts.
  - 7. Shut off the engine and remove the key.
  - 8. Use 2 rivets (1/8 inch) to install the cable guards around the throttle-cable jam nuts (Figure 8).

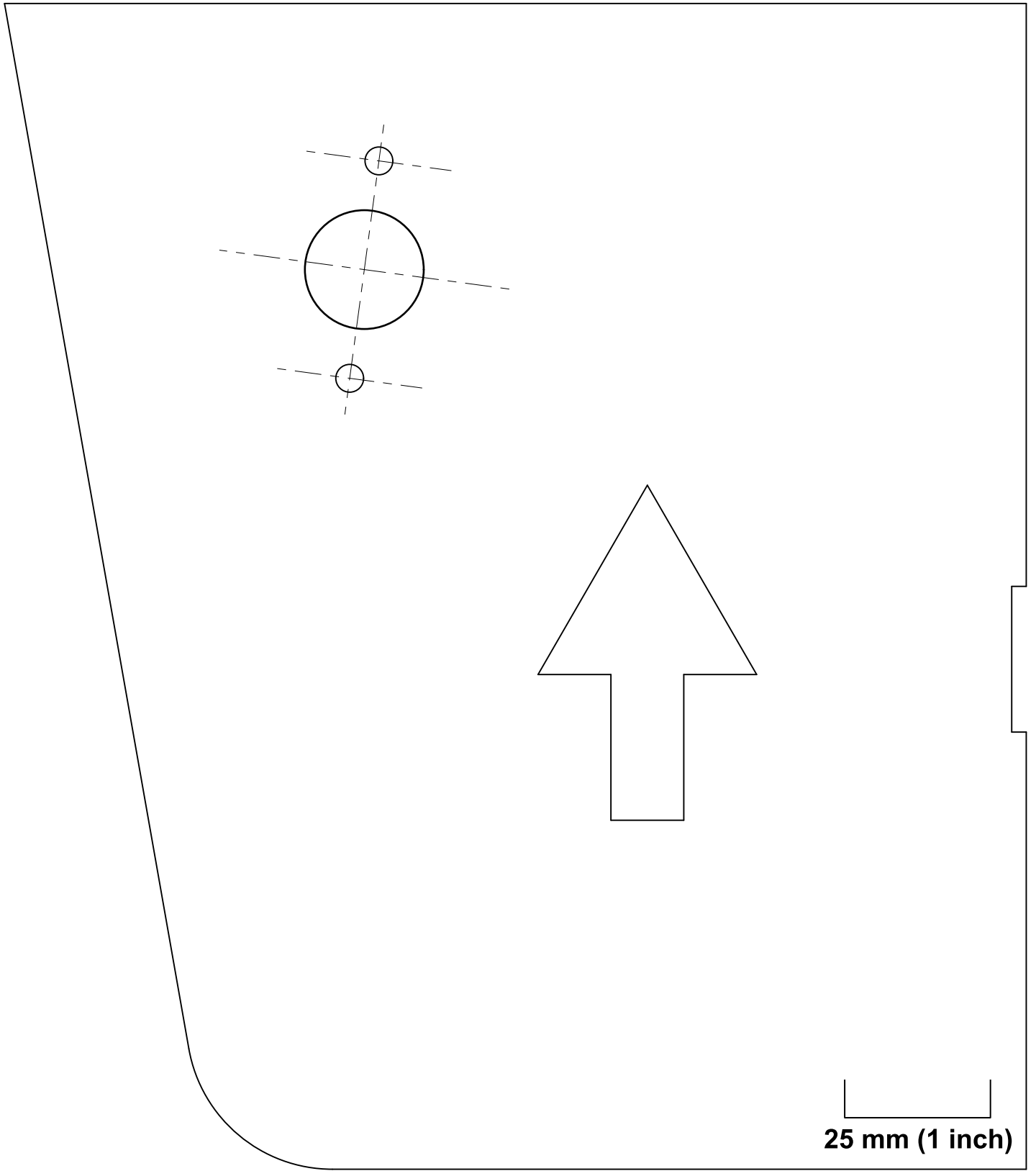
If there are no existing holes to install the rivets, use the cable-guard holes to drill 0.4 cm (1/8 inch) holes into the cable-mounting plate.

## Adjusting the Engine Speed

### Model 31902 and 31903 Machines

Refer to the *Toro DIAG User Software Guide* for instructions to set the machine to CE Mode.

**Note:** CE Mode limits the high-idle engine speed to 2,900 rpm while the PTO is engaged.



25 mm (1 inch)

# Notes:

**Notes:**



**Count on it.**