



# 10 Gallon Kit

## Pro Force® Debris Blower

Model No. 130-4371

### Installation Instructions

# 1

## Removing the Fuel Tank

No Parts Required

### Procedure

#### **⚠ DANGER**

In certain conditions, fuel is extremely flammable and highly explosive. A fire or explosion from fuel can burn you and others and can damage property.

- Drain fuel from the fuel tank when the engine is cold. Do this outdoors in an open area. Wipe up any fuel that spills.
- Never smoke when draining fuel, and stay away from an open flame, or where a spark may ignite the fuel fumes.

1. Park the machine on a level surface, shut off the engine, chock the wheels, disconnect the battery, and remove the key.
2. Allow the engine to cool, then drain the fuel tank into a fuel container using a pump.  
**Note:** Dispose of fuel properly. Recycle according to local codes.
3. Start the engine and run it until it stops.
4. Choke the engine. Start and run the engine until it does not start.
5. Disconnect the fuel tank hoses from the machine and discard them (Figure 1).  
**Note:** Retain the hose clamps.
6. Remove the fasteners and straps securing the fuel tank to the machine and discard them along with the tank (Figure 1).
7. Disconnect the remaining hoses from the carbon canister (Figure 1).

**Note:** Retain the hose clamps.

8. Remove the battery cover and battery (Figure 1); refer to your *Operator's Manual*.
9. Remove the carbon canister and discard it (Figure 1).

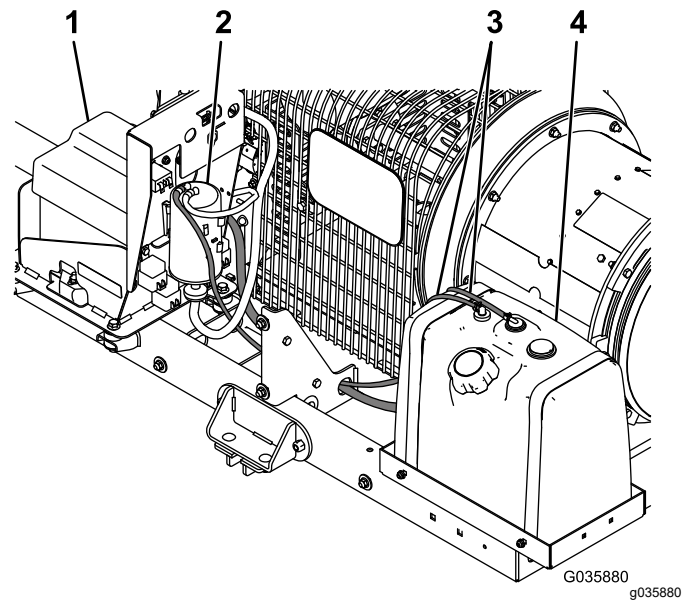


Figure 1

- |                    |                    |
|--------------------|--------------------|
| 1. Battery cover   | 3. Fuel-tank hoses |
| 2. Carbon canister | 4. Fuel tank       |



# 2

## Installing the 10 Gallon Tank

No Parts Required

### Procedure

1. Remove the existing fuel-tank mount and install the new 10 gallon tank mount using 4 carriage bolts (5/16 inch) and 4 flange nuts (5/16 inch) through the holes in the tray as shown in [Figure 2](#).

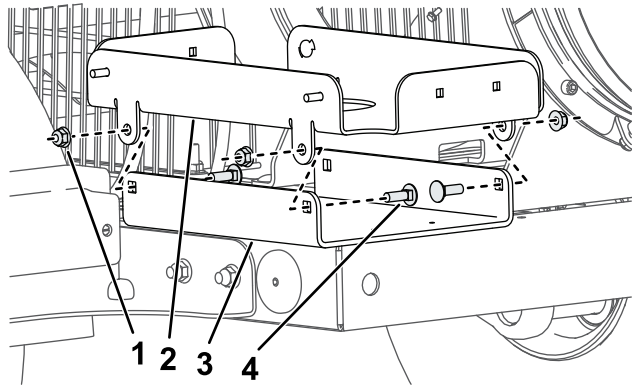


Figure 2

g345783

- |                             |                              |
|-----------------------------|------------------------------|
| 1. Flange nut (5/16 inch)   | 3. Fuel tank tray            |
| 2. Existing fuel-tank mount | 4. Carriage bolt (5/16 inch) |

2. Install the fuel tank mount as shown in [Figure 3](#).

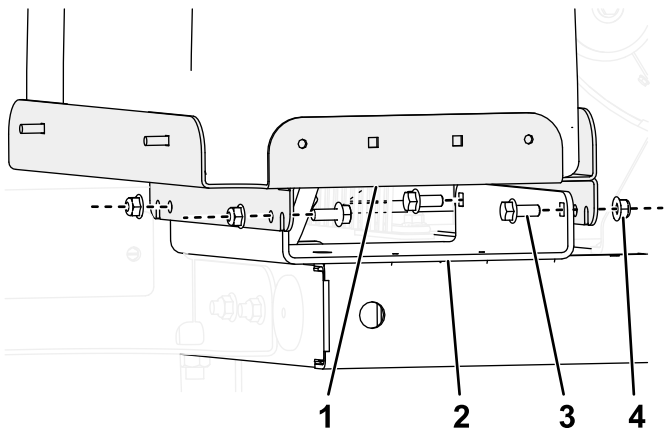


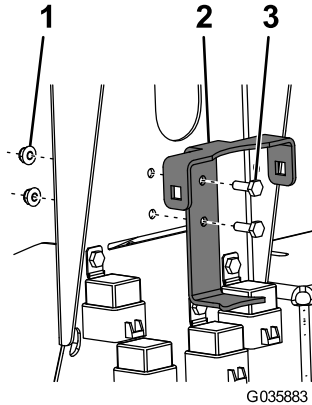
Figure 3

g414769

- |                    |                     |
|--------------------|---------------------|
| 1. Fuel-tank mount | 3. Bolt (5/16 inch) |
| 2. Fuel tank tray  | 4. Nut (5/16 inch)  |

3. Attach the carbon-canister bracket to the frame using 2 bolts (1/4 inch) and 2 flange nuts (1/4 inch) as shown in [Figure 4](#).

**Note:** If the bracket does not perfectly line up with the existing holes, widen them slightly using a 7 mm drill bit.



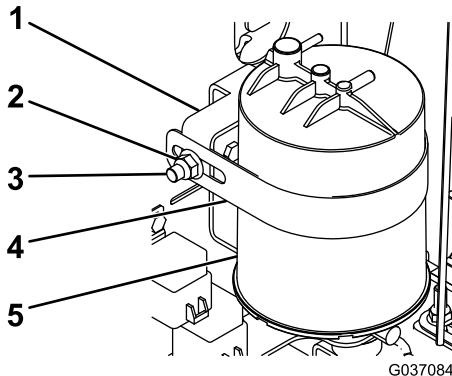
G035883

g035883

Figure 4

- |                            |                    |
|----------------------------|--------------------|
| 1. Flange nut (1/4 inch)   | 3. Bolt (1/4 inch) |
| 2. Carbon-canister bracket |                    |

4. Secure the carbon canister to the bracket using the canister strap and 2 carriage bolts and flange nuts (3/8 inch) as shown in [Figure 5](#).



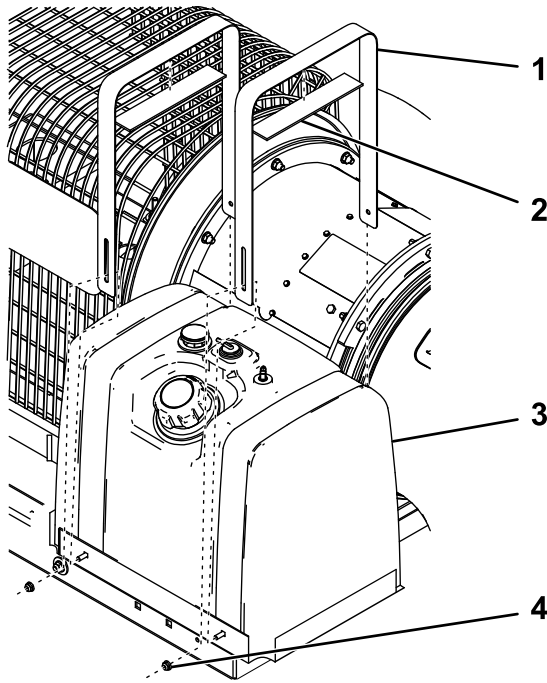
G037084

g037084

Figure 5

- |                          |                    |
|--------------------------|--------------------|
| 1. Bracket               | 4. Canister strap  |
| 2. Flange nut (3/8 inch) | 5. Carbon canister |
| 3. Carriage bolt         |                    |

- Attach the pads to the fuel-tank straps ([Figure 6](#)).

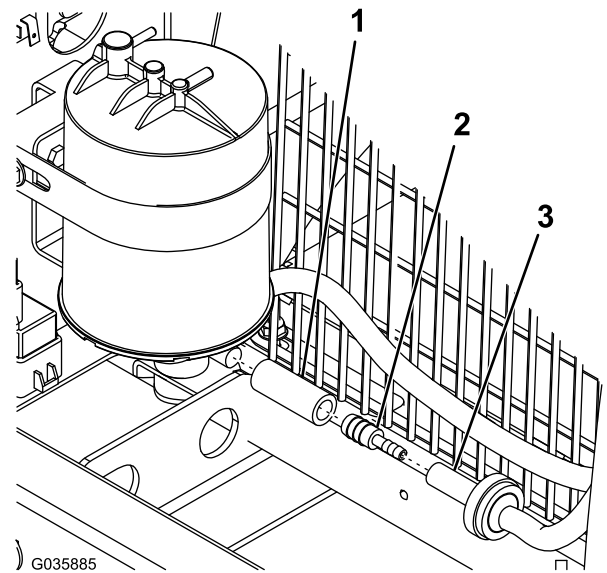


**Figure 6**

g345778

- |                         |                          |
|-------------------------|--------------------------|
| 1. New fuel-tank straps | 3. New fuel tank         |
| 2. Pad                  | 4. Flange nut (1/4 inch) |

- Secure the new fuel tank to the fuel-tank tray using the straps and 4 flange nuts (1/4 inch) as shown in [Figure 6](#).
- Attach the hose adapter and short hose to the inline fuel filter and secure it to the bottom of the carbon canister ([Figure 7](#)).

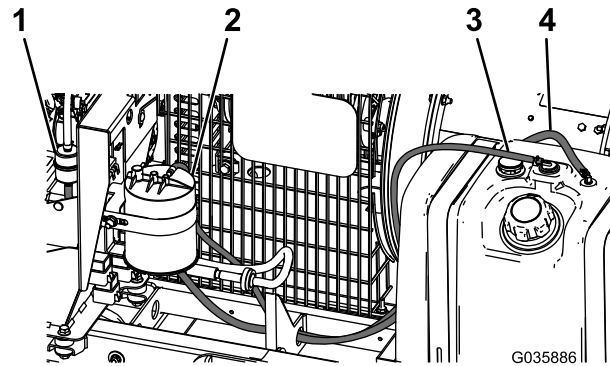


**Figure 7**

- |                 |                            |
|-----------------|----------------------------|
| 1. Short hose   | 3. Inline fuel-filter hose |
| 2. Hose adapter |                            |

- For models 44552, 44553, and 44554 trim 13 inches off of the 78-inch hose.
- Attach the hose to the fuel tank and fuel filter using the previously removed hose clamps as shown in [Figure 8](#).

**Note:** Ensure that the hose is routed through the hole in the frame.



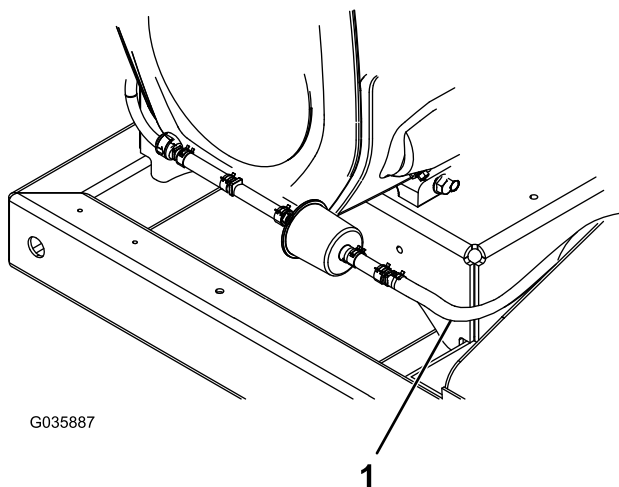
**Figure 8**

- |                    |  |
|--------------------|--|
| 1. Fuel filter     | 3. 1.5 m (61 inch) fuel hose                   |
| 2. Carbon canister | 4. 1.6 m (65 inch) fuel hose / 1.9 m (78 inch) |

- Attach the 1.5 m (61 inch) hose to the fuel tank and carbon canister using the previously removed hose clamps as shown in [Figure 8](#).

**Note:** Shorten the hose if it is too long for your machine.

11. Attach the vent line hose to the carbon canister using the previously removed hose clamp (Figure 9).

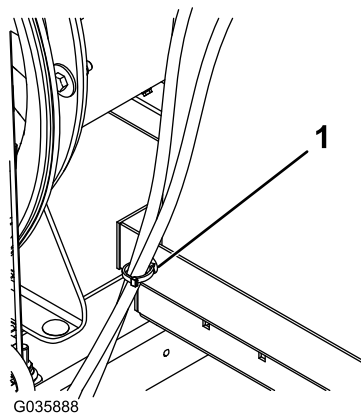


**Figure 9**

g035887

1. Vent line hose
- 

12. Snap the tie clip onto the side of the fuel-tank tray and secure the 2 fuel-tank hoses to it (Figure 10).



**Figure 10**

g035888

1. Tie clip
- 

13. Install the previously removed battery and connect it to the machine; refer to your *Operator's Manual*.
14. Install the battery cover.