



55cm Recycler[®] Lawnmower

Model No. 20655 - 240000001 and up.

Parts Catalog

Ordering Replacement Parts

To order replacement parts, please supply the part number, the quantity, and the description of each part desired.

Understanding Reference Numbers

Each identified part in an illustration has a reference number. The reference number for a part also appears in the parts list, along with other information about the part.

This catalog uses two special reference number formats, one to indicate parts in a service assembly and another to indicate the quantity of a given part in an illustration.

Service Assembly Reference Numbers

Parts in service assemblies have reference numbers in the form a:b. The a represents the reference number of the entire service assembly and the b represents a sequential number unique to each part within the service assembly.

For example, a wheel assembly might be identified by reference number 6, the tire by 6:1, the valve by 6:2, and the wheel by 6:3. When you order the assembly identified by reference number 6, you receive all parts identified by reference numbers 6:1, 6:2, and 6:3. However, you may also order any part individually. Reference numbers of this type appear in illustrations and in part lists.

Reference Numbers Indicating Quantity

In an illustration, if a reference number indicates more than one part, the reference number has the form nX y. The n represents the quantity of the part, the X is the multiplication symbol, and the y represents the reference number.

For example, in an illustration, the reference number 2X 37 means that two of the parts identified by reference number 37 are indicated.

Contents

Description	Page	Description	Page
Deck Assembly 3	Governor Assembly Briggs and Stratton	
HOC Wheel Assembly 4	122K02-0172-E1 15
Rear Axle and Transmission Assembly 5	Muffler and Fuel Tank Assembly Briggs and	
Transmission Assembly No. 106-3956 6	Stratton 122K02-0172-E1 16
Engine and Blade Assembly 7	Blower Housing Assembly Briggs and Stratton	
Handle Assembly 8	122K02-0172-E1 17
Grass Bag Assembly 9	Recoil Starter Assembly Briggs and Stratton	
Cylinder Assembly Briggs and Stratton 122K02-0172-E1 10	122K02-0172-E1 18
Crankshaft Assembly Briggs and Stratton 122K02-0172-E1 11	Electric Starter Assembly Briggs and Stratton 122K02-0172-E1 19
Crankcase Assembly Briggs and Stratton 122K02-0172-E1 12	Gasket Assembly Briggs and Stratton 122K02-0172-E1 20
Carburetor Assembly Briggs and Stratton 122K02-0172-E1 13	Carburetor Overhaul Kit Assembly Briggs and Stratton 122K02-0172-E1 21
Air Cleaner Assembly Briggs and Stratton 122K02-0172-E1 14		

Part Description Abbreviations

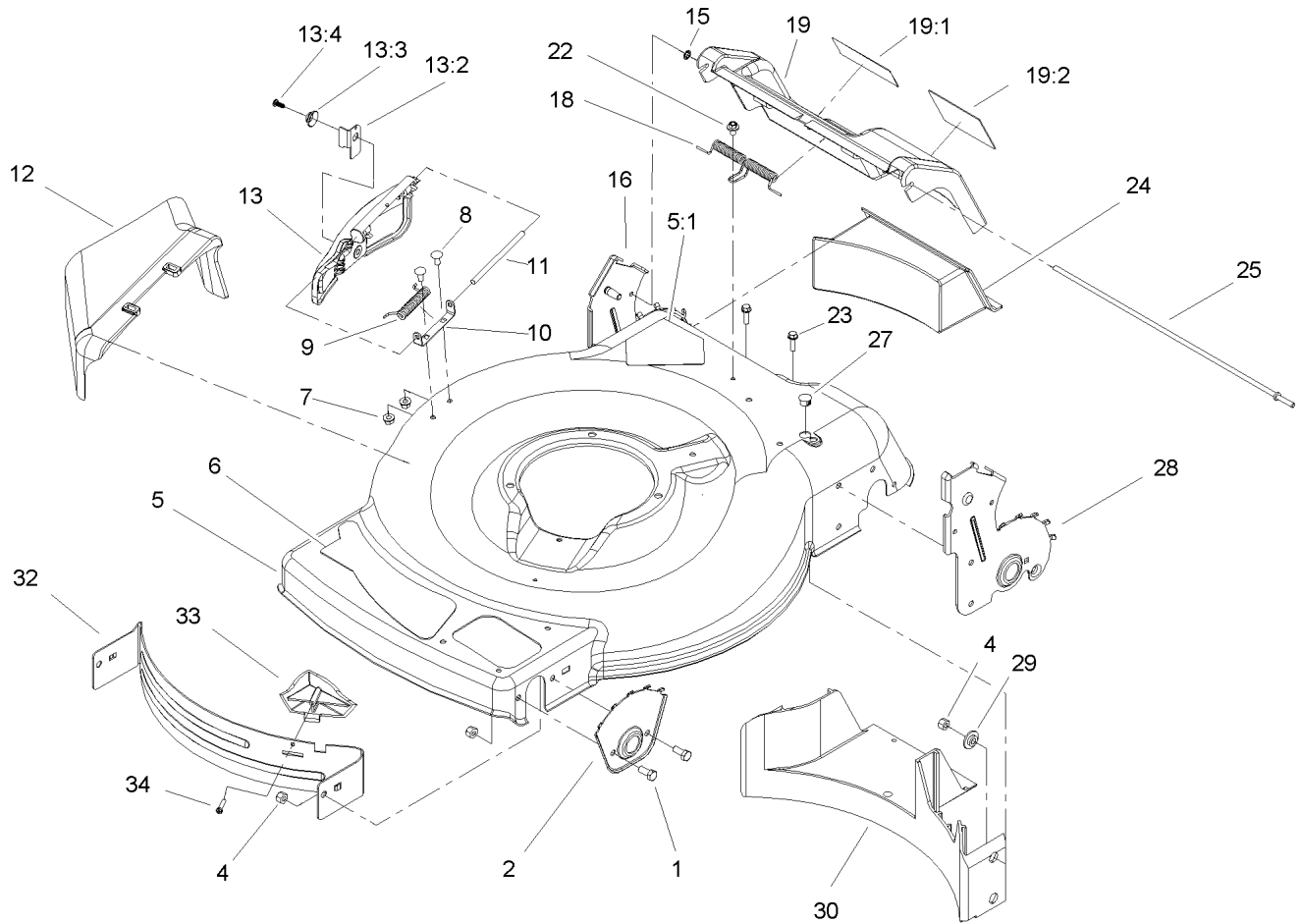
Part descriptions in this catalog may include the following abbreviations.

AR. as required	INC. incorporated
ASM. assembly	LH. left hand
CARR. carriage	NI. nylon insert
DEG. degrees	PPH. phillips pan head
FH. flat head	PTH. phillips truss head
GA. gauge	PTO. power take off
HF. hex flange	RH. right hand
HH. hex head	SFH. slotted fillister head
HHF. hex head flange	SHH. slotted hex head
HHFTF. hex head flange thread forming	SHWH. slotted hex washer head
HJ. hex jam	SPH. slotted pan head
HLH. hex lag head	SQH. square head
HOC. height-of-cut	SRH. slotted round head
HS. hex	STD. standard
HSBH. hex socket button head	TAP. self tapping
HSFH. hex socket flat head	TTH. torx truss head
HSH. hex socket head	WH. wing head
HWH. hex washer head	
HWHTF. hex washer head thread forming	
HYD. hydraulic	

Footnotes

- | | |
|---|---|
| ❶ Not serviced separately | ❷ Included in Engine Gasket Set-Ref. 358. |
| ❸ Included in Carburetor Overhaul Kit-Ref. 121. | ❹ Included in Carburetor Gasket Set-Ref. 977. |
| ❺ Obtain parts from your local Briggs & Stratton dealer | |

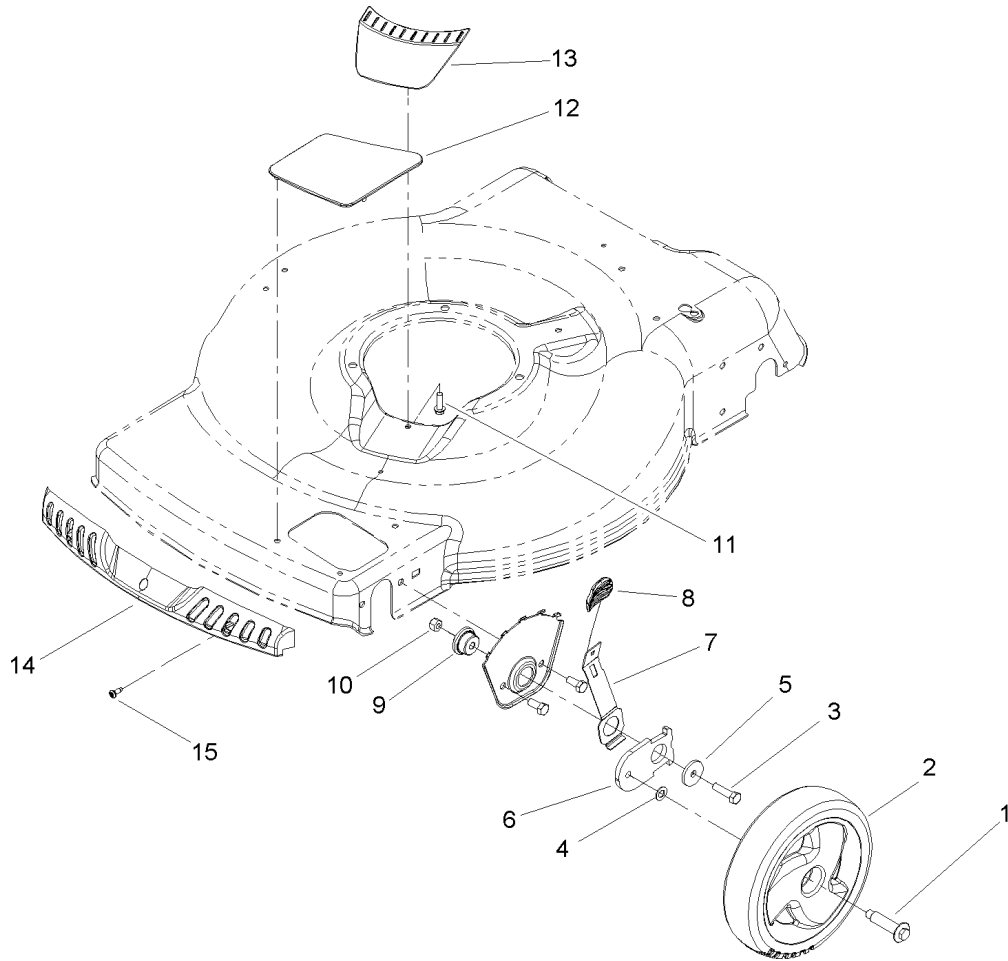
PROTOTYPE



Deck Assembly

Ref	Part No.	Qty.	Description
1	322-3	4	Screw-HH
2	105-1808-03	2	Plate-Hoc, Front
4	3296-29	8	Nut-Lock, NI
5	104-7916	1	Housing
5:1	94-8072	1	Decal-Danger, Cut Finger
6	105-1297	1	Decal-Deck
7	32128-32	2	Nut-HHF
8	3229-11	2	Screw-CARR
9	99-5293	1	Spring-Torsion
10	99-5292	1	Bracket-Cover
11	99-5291	1	Rod-Cover
12	105-3028	1	Chute-Discharge, Side
13	106-8376	1	Discharge Door ASM
13:2	107-0795	1	Latch-Door
13:3	107-7456	1	Cap-Door
13:4	107-7461	1	Screw-Plastite
15	32112-6	1	Pushnut
16	107-0790	1	RH Rear HOC Plate ASM
18	105-3032	1	Spring-Door, Rear
19	105-1324	1	Door
19:1	104-7909	1	Decal-Warning
19:2	104-7908	1	Decal-Warning
22	46-6810	1	Screw And Washer ASM
23	46-8091	2	Screw-HWH

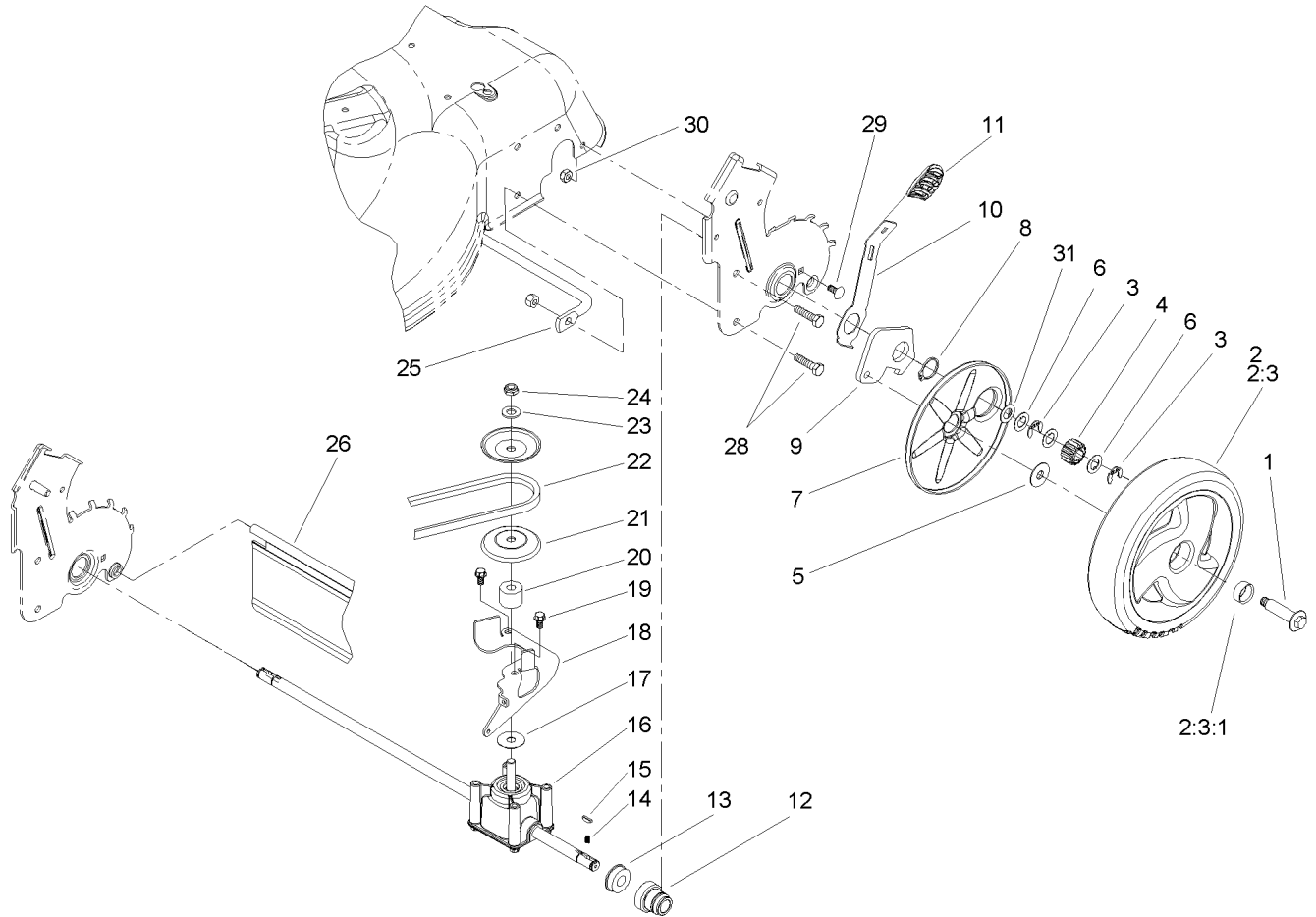
Ref	Part No.	Qty.	Description
24	105-1842	1	Plug-Discharge, Rear
25	105-1827	1	Rod-Pivot, Rear Door
27	104-9369	1	Plug-Dome
28	107-0783	1	LH Rear HOC Plate ASM
29	105-3006	4	Washer-Stepped
30	105-1834	1	Baffle-Rear
32	107-0793-03	1	Baffle-Front
33	107-0752	1	Kicker-Front
34	32144-111	1	Screw-PPH



HOC Wheel Assembly

Ref	Part No.	Qty.	Description
1	614650	2	Bolt-Shoulder
2	105-1814	2	Wheel ASM
3	322-6	2	Screw-HH
4	40-1940	2	Washer
5	105-3048	2	Washer-Flat
6	105-1807	2	Arm-Pivot, Front
7	105-1809	2	Arm-Spring
8	105-3042	2	Knob-Lever, HOC
9	105-1818	2	Bushing-Mount, HOC
10	3296-29	2	Nut-Lock, NI
11	46-8091	1	Screw-HWH
12	104-9398	1	Cover-Cutout, Hp
13	105-3005	1	Cover-Belt Opening
14	104-9359	1	Bumper-Mower
15	105-6849	3	Screw-Thread Forming

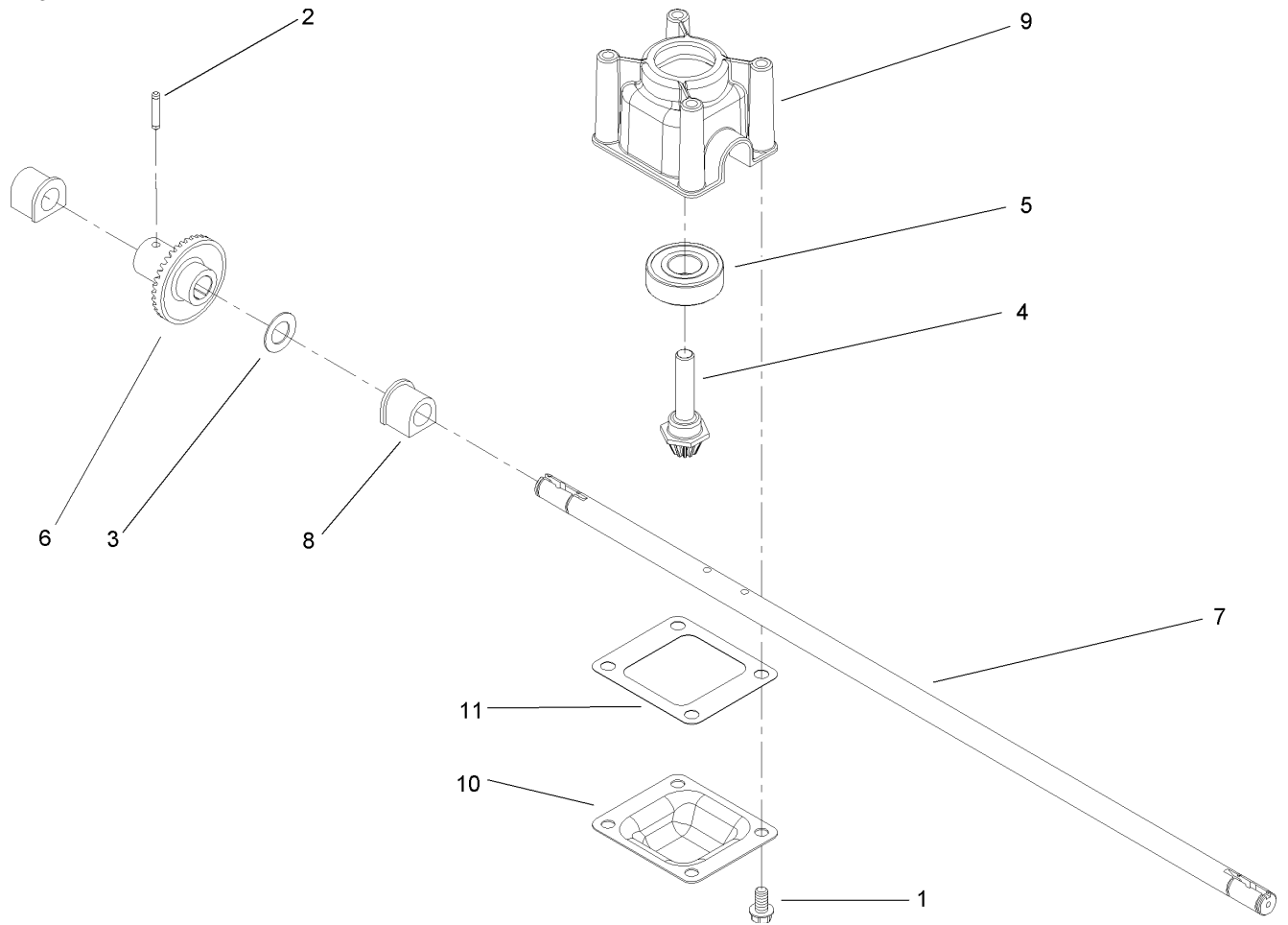
PROTOTYPE



Rear Axle and Transmission Assembly

Ref	Part No.	Qty.	Description
1	614650	2	Bolt-Shoulder
2	105-3036	2	Wheel Gear ASM
2:3		1	Wheel Bushing ASM
2:3:1	27-6250	2	Bushing
3	65-2720	4	Klipring-Locking
4	105-3040	2	Gear-Pinion, 15t
5	614426	2	Washer-Stepped
6	105-6840	6	Washer-Thrust
7	105-1838	2	Cover-Wheel
8	32151-36	2	Ring-Retaining
9	105-1819	2	Arm-Pivot, Rear
10	105-1809	2	Arm-Spring
11	105-3042	2	Knob-Lever, HOC
12	104-8698	2	Retainer-Bearing, HOC
13	104-8699	2	Bearing-Ball
14	39-9650	2	Spring-Compression
15	612066	2	Key
16	106-3956	1	Transmission ASM
17	105-6814	1	Washer-Shield
18	105-1832-03	1	Bracket-Pivot, Rwd
19	32144-4	2	Screw-HWH
20	92-5791	1	Spacer
21	100-1176	2	Pulley-Half
22	91-2258	1	V-Belt

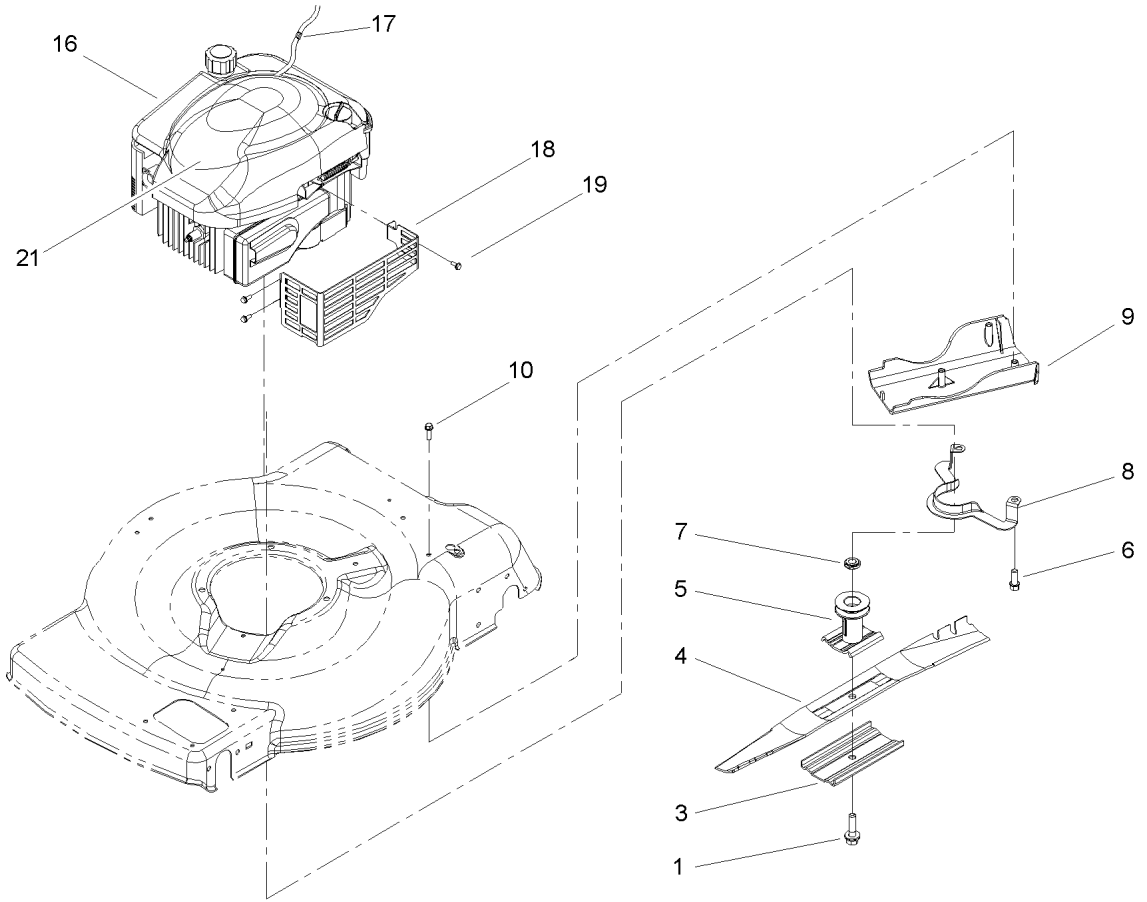
Ref	Part No.	Qty.	Description
23	3256-24	1	Washer-Flat
24	3296-5	1	Nut-Lock, NI
25	105-1811	1	Brace-HOC Plate
26	105-1843	1	Shield-Trailing
28	322-6	4	Screw-HH
29	3229-11	2	Screw-CARR
30	3296-16	2	Nut-Lock, NI
31	36-4780	1	Washer



Transmission Assembly No. 106-3956

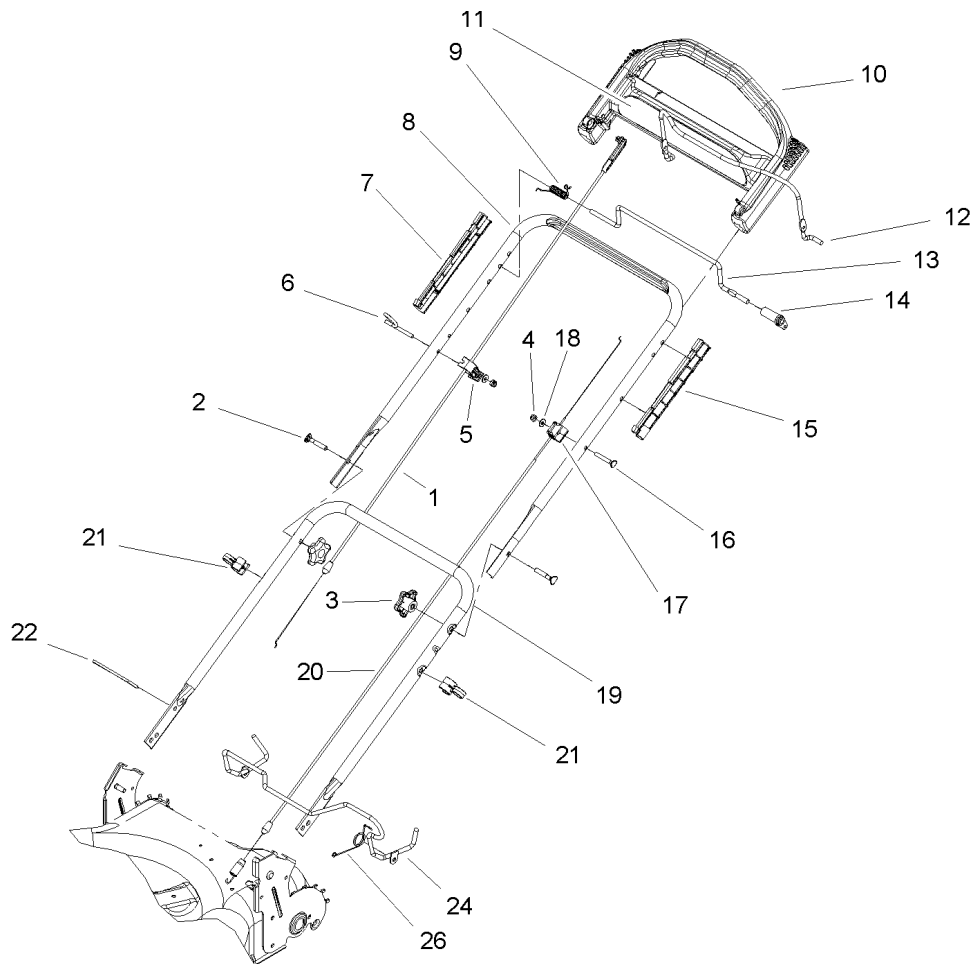
Ref	Part No.	Qty.	Description				
1	32144-4	4	Screw-HWH				
2	105-6817	1	Pin-Groove				
3	36-4780	1	Washer				
4	92-5790	1	Pinion				
5	100-1048	1	Bearing-Ball				
6	104-8671	1	Gear-Bevel, 37t				
7	106-3957	1	Shaft-Output				
8	104-8673	2	Bushing-Shaft, Output				
9	104-8674	1	Gearcase-Upper				
10	104-8675-03	1	Cover-Gearcase				
11	105-6839	1	Gasket-Gearcase				

PROTOTYPE



Engine and Blade Assembly

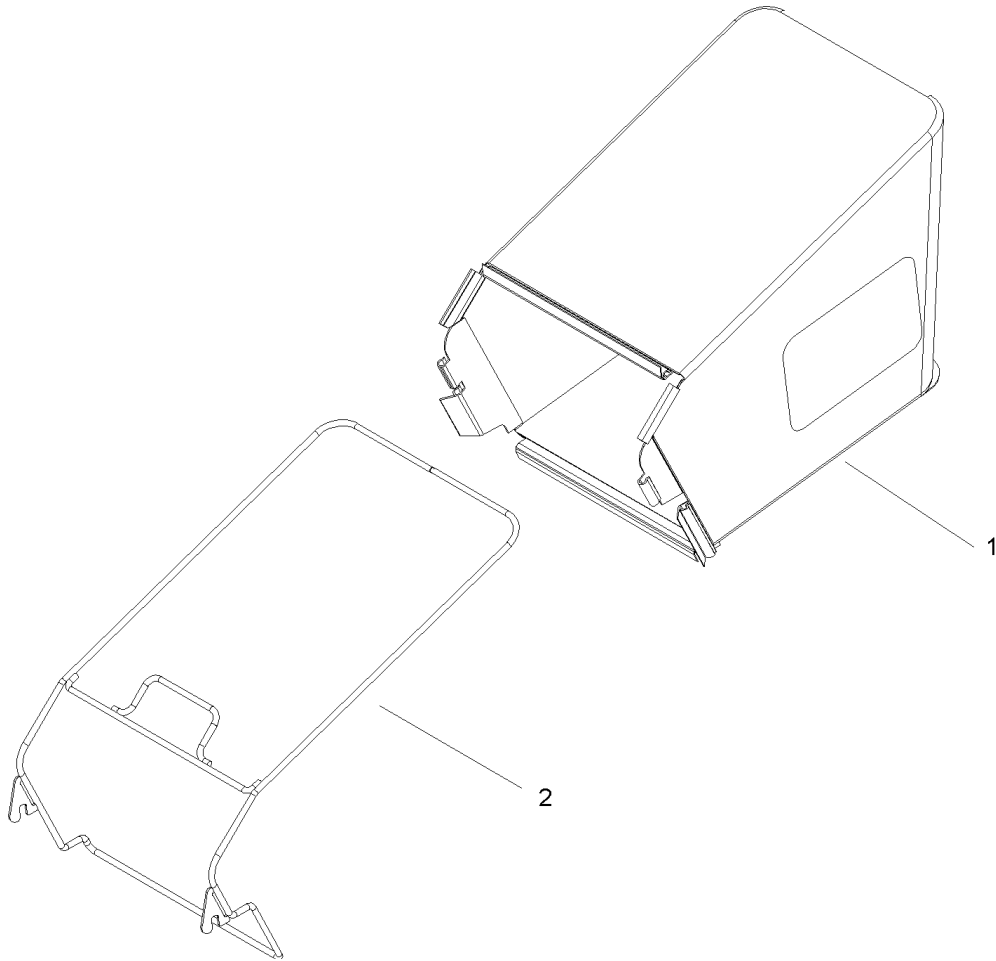
Ref	Part No.	Qty.	Description
1	105-8579	1	Bolt-Blade
3	105-6848-03	1	Accelerator-Blade
4	104-8697-03	1	Blade
5	106-3987	1	Blade Driver ASM
6	95-1726	3	Screw-Taptite
7	106-3999	1	Spacer-Driver
8	105-3030-03	1	Guide-Belt
9	105-1835	1	Cover-Belt, Rear
10	46-8091	3	Screw-HWH
16		1	Engine-Birggs And Stratton, 122k02-0172-E1
17	2210-316	1	Stop-Rope
18	104-7577-03	1	Shield-Muffler
19	32144-1	3	Screw-Taptite
21	107-3748	1	Decal-Recoil



Handle Assembly

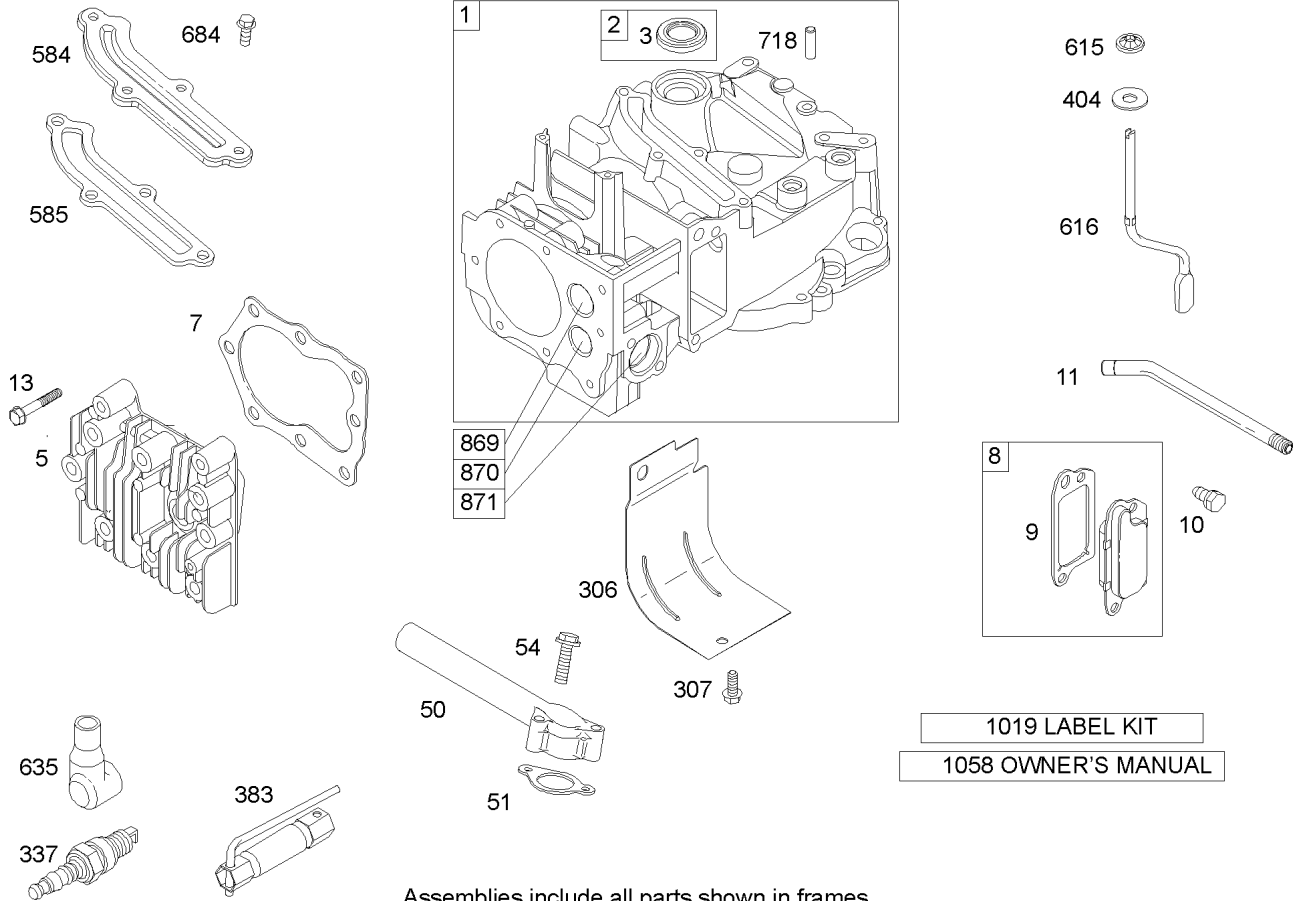
Ref	Part No.	Qty.	Description
1	104-8676	1	Cable-Brake
2	92-2260	2	Screw-Handle
3	106-4161	2	Knob-Handle
4	3296-73	2	Nut-Lock, NI
5	106-8331	1	Anchor-Cable
6	106-8330	1	Guide-Rope
7	105-6841	2	Guide-RH
8	104-8680-05	1	Handle-Upper
9	104-8690	1	Spring-Torsion
10	104-8678	1	Handle-Control
11	107-3762	1	Decal-Handle
12	104-8679-03	1	Bail-Brake
13	99-1588	1	Bar-Control, Traction
14	99-1589	1	Lever-Traction
15	105-6842	2	Guide-LH
16	95-4453	1	Screw
17	92-7729	1	Anchor-Cable, Upper
18	3256-1	2	Washer-Flat
19	107-0784-05	1	Handle-Lower
20	105-1844	1	Cable-Traction
21	106-6805	2	Guide-Cable
22	614249	1	Strap-Tie
24	107-0768	1	Release Lever ASM
26	107-7472	1	Spring-Torsion

<p style="font-size: 48px; opacity: 0.5; font-weight: normal;">PROTOTYPE</p>			
--	--	--	--



Grass Bag Assembly

Ref	Part No.	Qty.	Description				
1	105-3011	1	Grass Bag ASM				
2	105-6831-03	1	Brace-Bag Frame ASM				
<i>PROTOTYPE</i>							



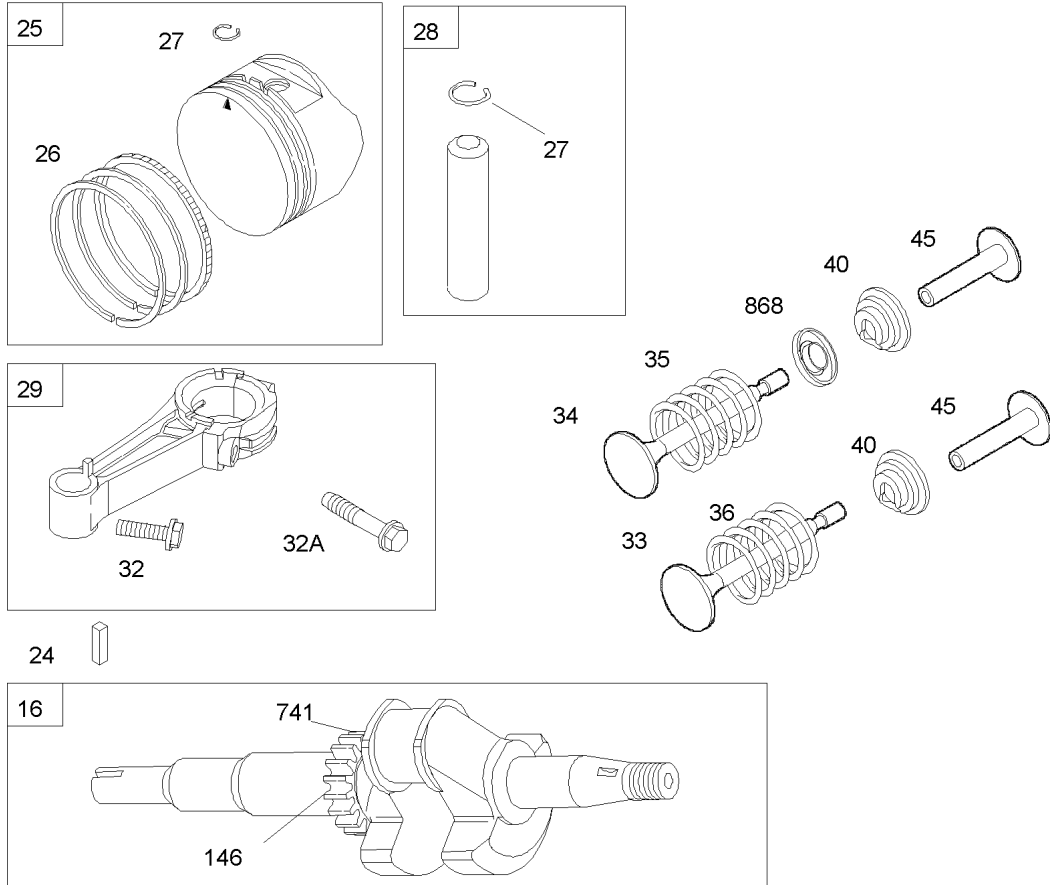
Assemblies include all parts shown in frames.

Cylinder Assembly Briggs and Stratton 122K02-0172-E1

Ref	Part No.	Qty.	Description
1	697322	1	Cylinder ASM
2	399269	1	Kit-bushing/seal
3	299819	1	Seal-oil, Magneto Side
5	691160	1	Head-cylinder
7	692249	1	Gasket-cylinder Head
8	695250	1	Breather ASM
9	699472	1	Gasket-breather
10	691125	1	Screw-Breather ASM
11	691781	1	Tube-breather
13	690912	1	Screw
50	497465	1	Manifold-intake
51	272199	1	Gasket-intake
54	691650	1	Screw-Intake Manifold
306	690450	1	Shield-Cylinder
307	690345	1	Screw
337	802592	1	Plug-spark
383	89838	1	Wrench-plug, Spark
404	690272	1	Washer-Governor Crank
584	697734	1	Cover-breather Passage
585	691879	1	Gasket-breather Passage
615	690340	1	Retainer-shaft, Governor
616	698801	1	Crank-governor
635	66538	1	Boot-spark Plug
684	690345	1	Screw

Ref	Part No.	Qty.	Description
718	690959	1	Pin-locating
869	691155	1	Seat-valve, Intake
870	690380	1	Seat-valve, Exhaust
871	262001	1	Bushing-guide, Exhaust
6	63709	1	Bushing-guide, Intake
1019	494256	1	Kit-label
1058	275177	1	Manual-Owner's

PROTOTYPE

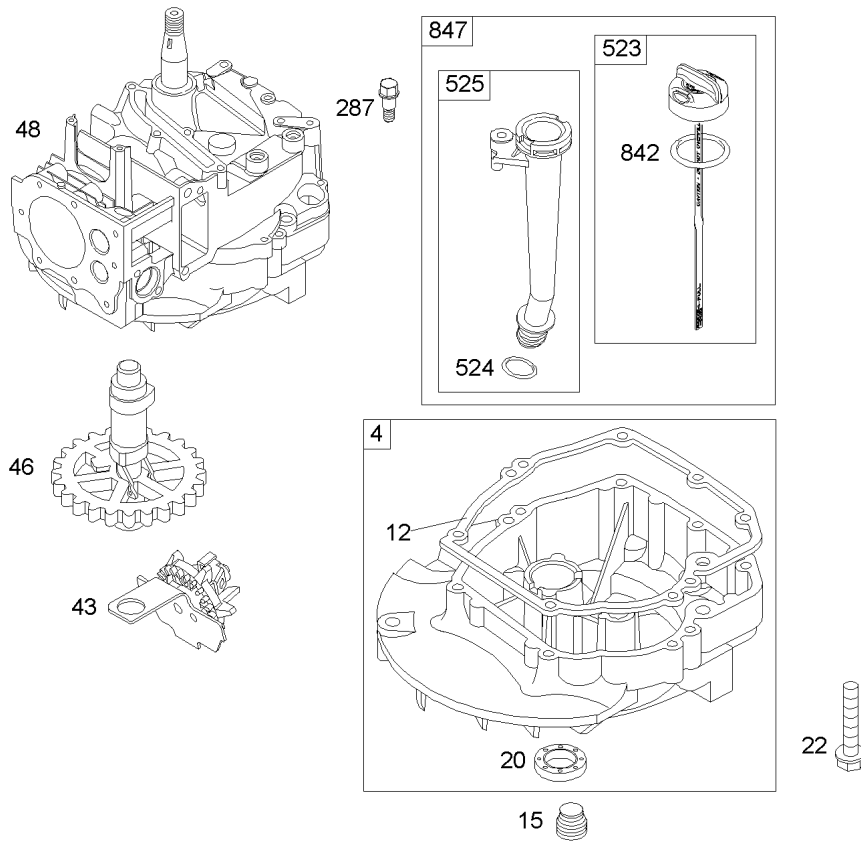


Assemblies include all parts shown in frames.

Crankshaft Assembly Briggs and Stratton 122K02-0172-E1

Ref	Part No.	Qty.	Description
16	696009	1	Crankshaft
24	222698	1	Key-flywheel
25	697339	1	Piston Assembly (Standard)
25	697341	1	Piston Assembly (.020" Oversize)
26	499425	1	Ring Set (Standard)
26	499427	1	Ring Set (.020" Oversize)
27	691866	1	Lock-piston Pin
28	499423	1	Piston Pin (Standard)
28	298908	1	Piston Pin (.005" Undersize)
29	499424	1	Connecting Rod (Standard)
32	691664	1	Screw-Connecting Rod
32A	695759	1	Screw-Connecting Rod
33	262651	1	Valve-exhaust
34	262652	1	Valve-intake
35	691270	1	Spring-valve, Exhaust
36	691270	1	Spring-valve, Exhaust
40	692194	1	Retainer-valve
45	690548	1	Tappet-valve
146	690979	1	Key-timing
741	691830	1	Gear-timing
868	697338	1	Seal-valve

PROTOTYPE			
-----------	--	--	--

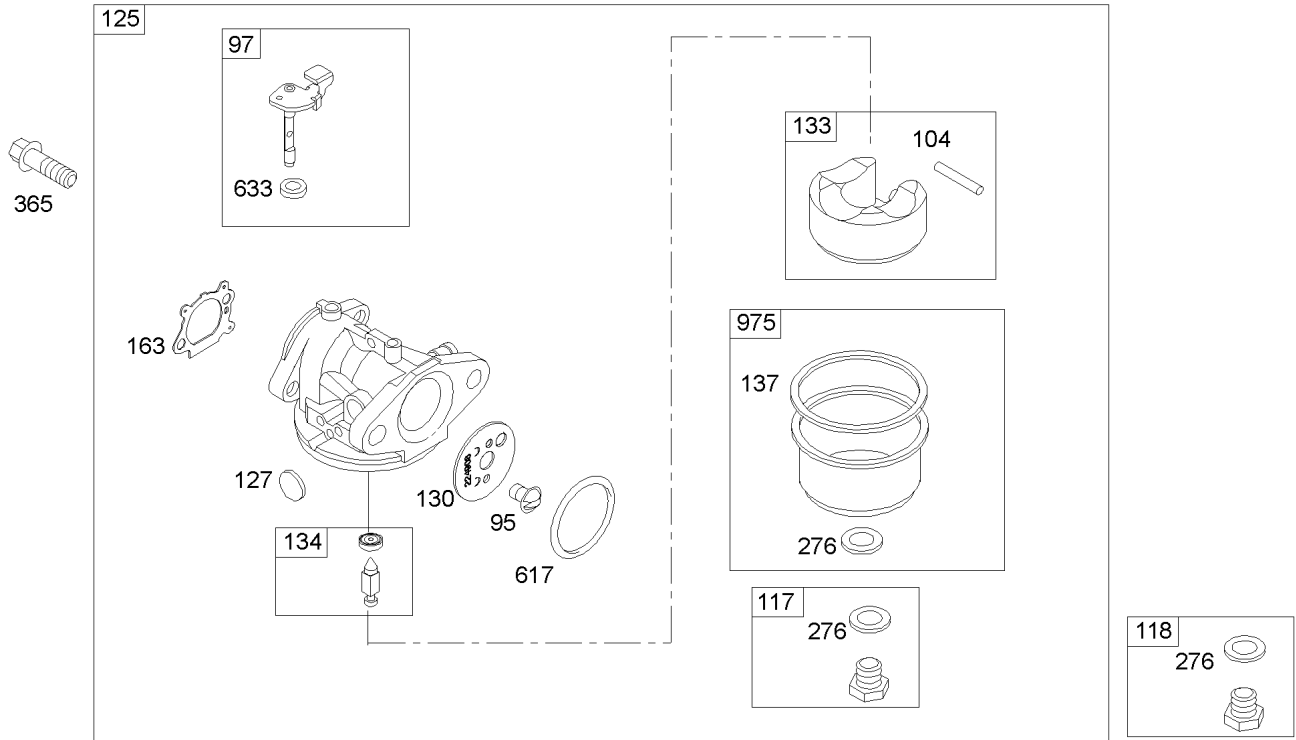


Assemblies include all parts shown in frames.

Crankcase Assembly Briggs and Stratton 122K02-0172-E1

Ref	Part No.	Qty.	Description
④	493279	1	Sump-engine
②④	692232	1	Gasket-Crankcase (.015 Thick, Standard)
④	691680	1	Plug-oil Drain
②④	399781	1	Seal-oil, PTO Side
④	691092	1	Screw-Engine Sump
④	691997	1	Slinger-governor/oil
④	691449	1	Camshaft
④	498829	1	Short Block
④	690940	1	Screw-Fuel Tank
④	499621	1	Dipstick
②④	692296	1	Seal-o Ring, Dipstick Tube
④	495265	1	Tube-Dipstick
②④	691031	1	Seal-o Ring, Dipstick Tube
④	692047	1	Dipstick/tube ASM

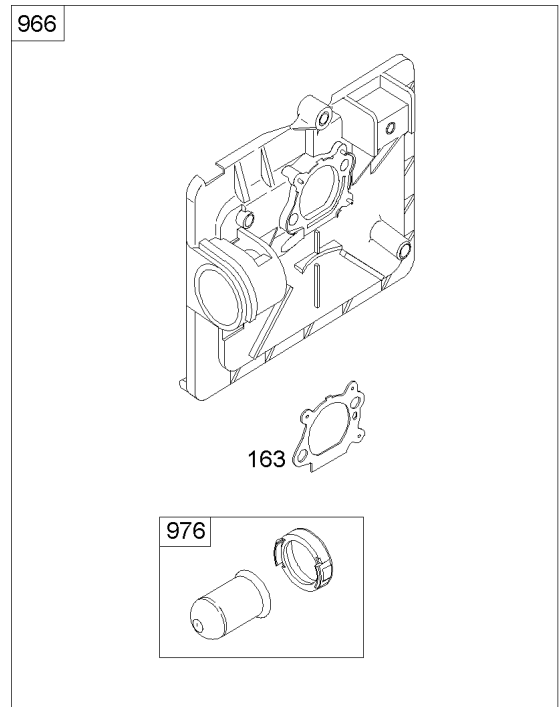
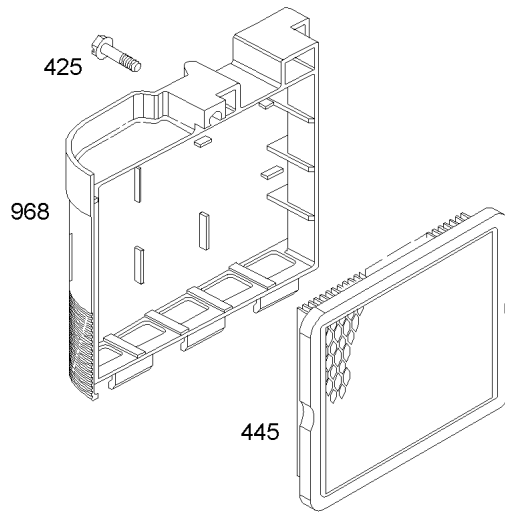
PROTOTYPE			
-----------	--	--	--



Assemblies include all parts shown in frames.

Carburetor Assembly Briggs and Stratton 122K02-0172-E1

Ref	Part No.	Qty.	Description
⑤95	691636	1	Screw-Throttle Valve
⑤97	696565	1	Shaft-throttle
③⑤104	691242	1	Pin-float Hinge
⑤117	498978	1	Jet-main (Standard)
⑤118	494870	1	Jet-main (High Altitude)
⑤125	498170	1	Carburetor
③⑤127	694468	1	Plug-welch
⑤130	696564	1	Valve-throttle
⑤133	398187	1	Float-carburetor
③⑤134	398188	1	Kit-needle/seat
③④137	693981	1	Gasket-bowl, Float
②③163	272653	1	Gasket-cleaner, Air
③④276	271716	1	Washer-sealing
⑤365	692524	1	Screw-Carburetor
③④617	270344	1	Seal-o Ring, Intake Manifold
③④633	691321	1	Seal-choke/throttle Shaft
⑤975	493640	1	Bowl-float

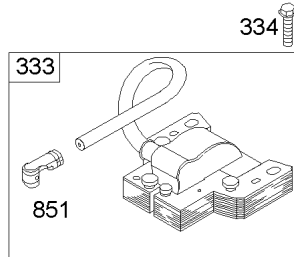
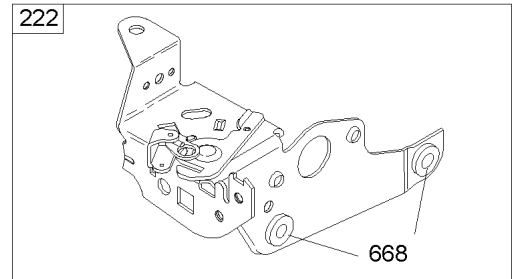
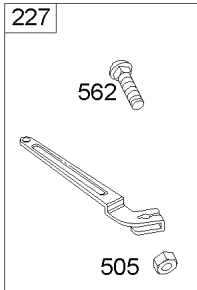
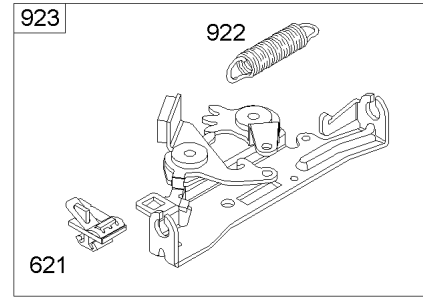
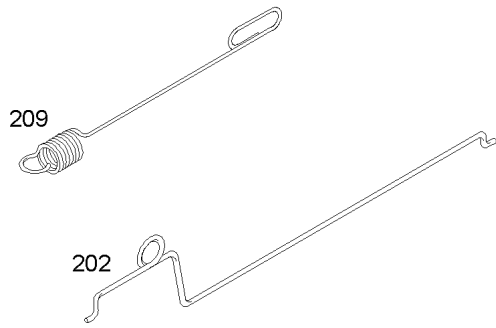


Assemblies include all parts shown in frames.

Air Cleaner Assembly Briggs and Stratton 122K02-0172-E1

Ref	Part No.	Qty.	Description
2 ⑤ 163 ④ ⑤	272653	1	Gasket-cleaner, Air
⑤ 425	690670	1	Screw
⑤ 443	692523	1	Screw
⑤ 445	491588	1	Filter-air Cleaner Cartridge
⑤ 966	496116	1	Base-air Cleaner Primer
⑤ 968	692298	1	Cover-air Cleaner
⑤ 976	694395	1	Primer-carburetor

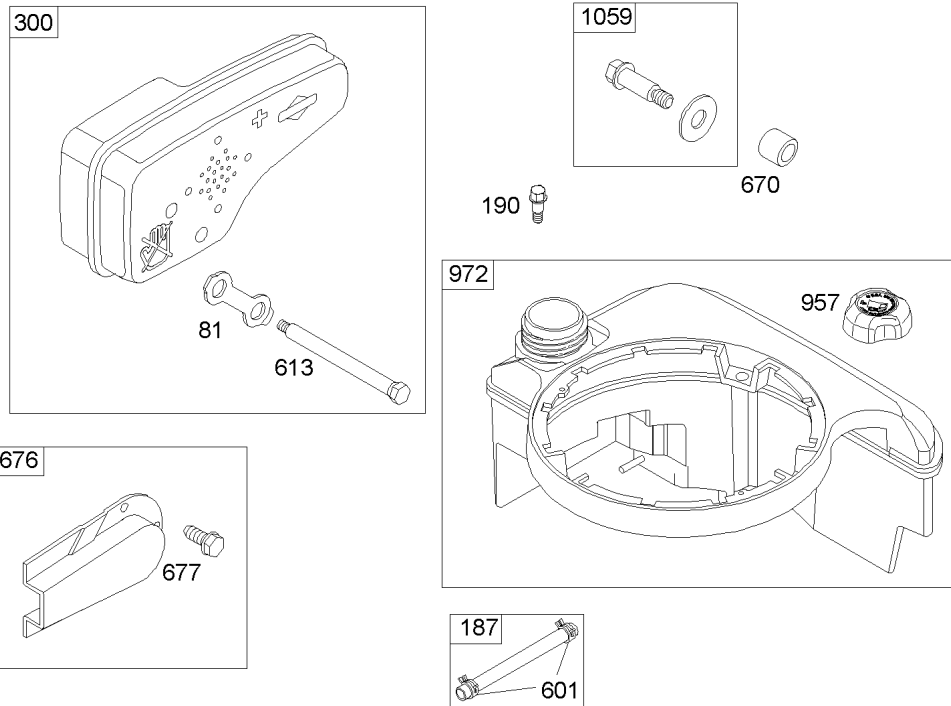
PROTOTYPE



Assemblies include all parts shown in frames.

Governor Assembly Briggs and Stratton 122K02-0172-E1

Ref	Part No.	Qty.	Description
⑤188	693399	1	Screw-Control Bracket
⑤202	691829	1	Link-governor, Mechanical
⑤209	691852	1	Spring-governor
⑤222	692467	1	Bracket-control
⑤227	690783	1	Lever-control, Governor
⑤333	802574	1	Armature-magneto
⑤334	691061	1	Screw-Magneto Armature
⑤356	692390	1	Wire-stop
⑤505	691251	1	Nut-Governor Control Lever
⑤562	691119	1	Bolt-Governor Control Lever
⑤621	692310	1	Switch-stop
②⑤668	493823	1	Spacer
⑤745	691648	1	Screw-Brake
⑤851	493880	1	Terminal-plug, Spark
⑤922	691831	1	Spring-brake
⑤923	691994	1	Brake

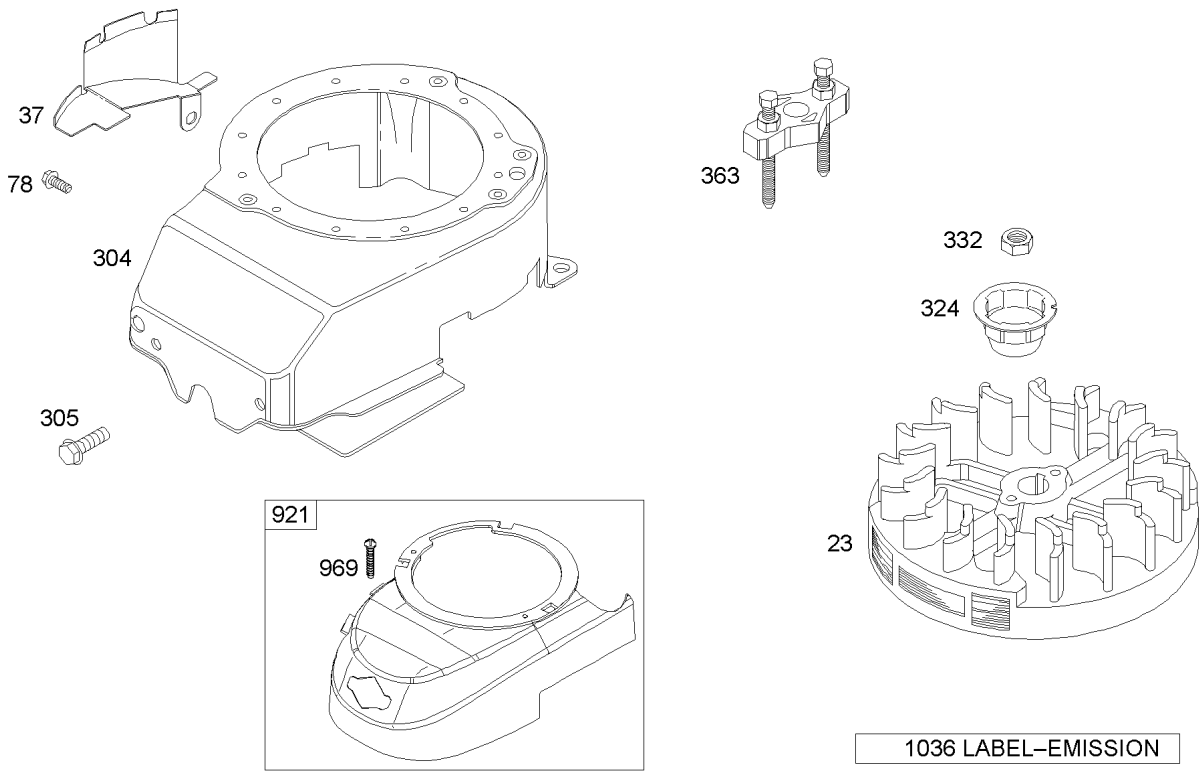


Assemblies include all parts shown in frames.

Muffler and Fuel Tank Assembly Briggs and Stratton 122K02-0172-E1

Ref	Part No.	Qty.	Description
81	691740	1	Lock-muffler Screw
187	691050	1	Line-fuel (Cut To Required Length)
190	690940	1	Screw-Fuel Tank
300	692038	1	Muffler
601	95162	1	Clamp-hose
613	691340	1	Screw-Muffler
670	692294	1	Spacer-fuel Tank
676	493871	1	Deflector-muffler
677	690661	1	Screw-Muffler Deflector
957	692046	1	Cap-fuel Tank
972	699374	1	Tank-fuel
1059	692311	1	Kit-screw/washer

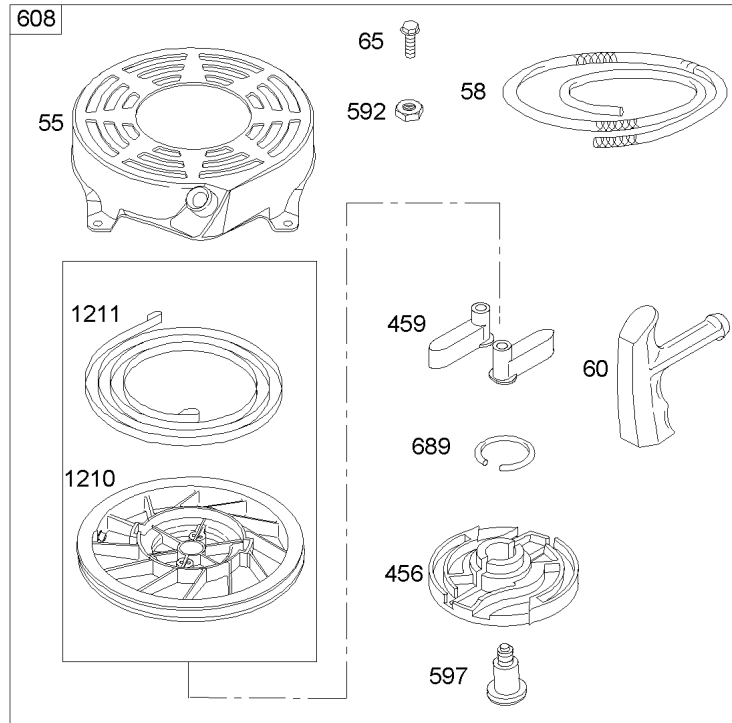
PROTOTYPE



Assemblies include all parts shown in frames.

Blower Housing Assembly Briggs and Stratton 122K02-0172-E1

Ref	Part No.	Qty.	Description
23	691987	1	Flywheel
37	694086	1	Guard-flywheel
78	691108	1	Screw-Blower Housing
304	493293	1	Housing-blower
305	691108	1	Screw-Blower Housing
324	695161	1	Cup/screen Assembly
332	690662	1	Nut-Flywheel
363	19069	1	Puller-flywheel
921	790036	1	Cover-blower Housing
969	691138	1	Screw-Blower Housing Cover
1036	697457	1	Label-emission

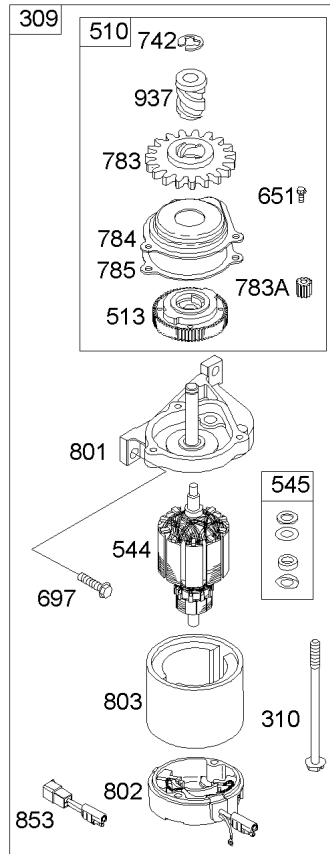


Assemblies include all parts shown in frames.

Recoil Starter Assembly Briggs and Stratton 122K02-0172-E1

Ref	Part No.	Qty.	Description				
55	691421	1	Housing—starter, Rewind				
58	697316	1	Rope—starter (Cut To Required Length)				
60	281434	1	Grip—starter Rope				
65	690837	1	Screw—Rewind Starter				
456	692299	1	Plate—pawl Friction				
459	281505	1	Ratchet—pawl				
592	690800	1	Nut				
597	691696	1	Screw				
608	497680	1	Starter—rewind				
689	691855	1	Spring—friction				
1210	498144	1	Pulley/spring ASM				
1211	498144	1	Pulley/spring ASM				

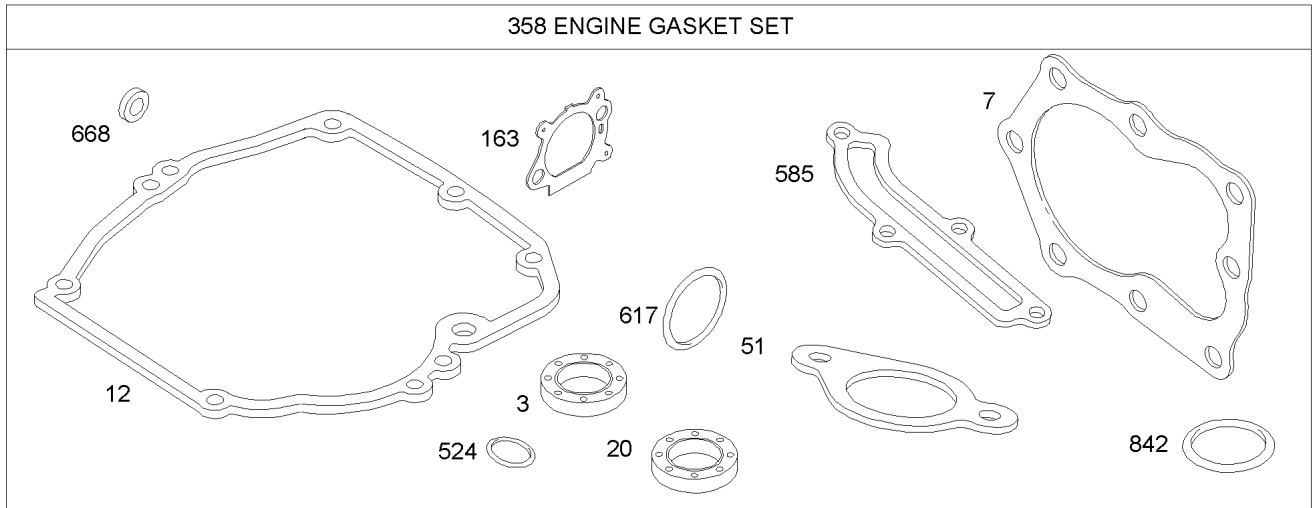
PROTOTYPE



Assemblies include all parts shown in frames.

Electric Starter Assembly Briggs and Stratton 122K02-0172-E1

Ref	Part No.	Qty.	Description				
309	695550	1	Motor-starter				
310	692327	1	Bolt				
510	494147	1	Drive-starter				
513	692358	1	Clutch-drive				
544	690786	1	Armature-starter				
545	492919	1	Washer Set				
651	690345	1	Screw				
697	691127	1	Screw				
742	93941	1	Retainer-e Ring				
783	691918	1	Gear-pinion				
783A	691269	1	Gear-pinion				
784	692341	1	Cover-gear				
785	692352	1	Gasket-starter Cover				
801	690782	1	Cap-drive				
802	695267	1	Cap-end				
803	695266	1	Housing-starter				
853	695268	1	Adapter-wire				
937	691325	1	Spline-starter				

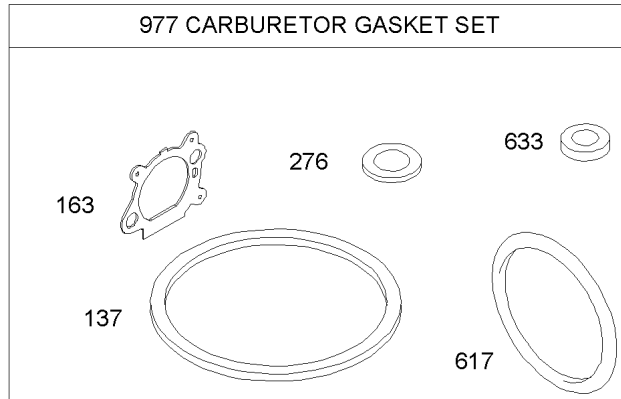
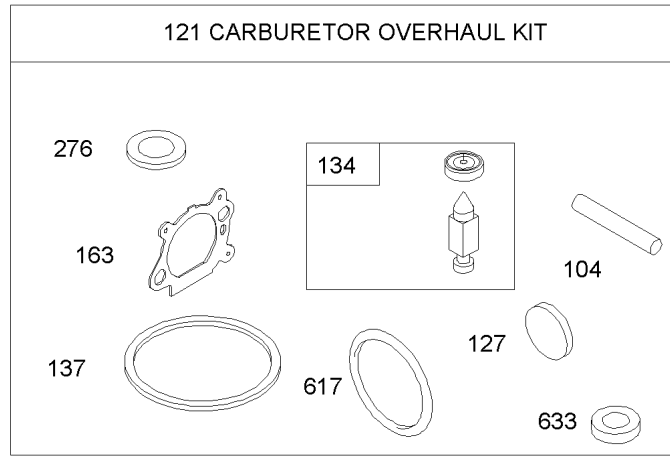


Assemblies include all parts shown in frames.

Gasket Assembly Briggs and Stratton 122K02-0172-E1

Ref	Part No.	Qty.	Description
253	299819	1	Seal-oil, Magneto Side
257	692249	1	Gasket-cylinder Head
2512	692232	1	Gasket-Crankcase (.015 Thick, Standard)
2520	399781	1	Seal-oil, PTO Side
2551	272199	1	Gasket-intake
25163	272653	1	Gasket-cleaner, Air
45			
5358	497316	1	Gasket Set-engine
25524	692296	1	Seal-o Ring, Dipstick Tube
25585	691879	1	Gasket-breather Passage
25617	270344	1	Seal-o Ring, Intake Manifold
45			
25668	493823	1	Spacer
25842	691031	1	Seal-o Ring, Dipstick Tube

--	--	--	--



Assemblies include all parts shown in frames.

Carburetor Overhaul Kit Assembly Briggs and Stratton 122K02-0172-E1

Ref	Part No.	Qty.	Description
⑤⑤104	691242	1	Pin-float Hinge
⑤121	498260	1	Kit-carburetor Overhaul
⑤⑤127	694468	1	Plug-welch
⑤⑤134	398188	1	Kit-needle/seat
⑤④137	693981	1	Gasket-bowl, Float
⑤			
②⑤163	272653	1	Gasket-cleaner, Air
⑤			
⑤④276	271716	1	Washer-sealing
⑤			
②⑤617	270344	1	Seal-o Ring, Intake Manifold
④⑤			
⑤④633	691321	1	Seal-choke/throttle Shaft
⑤			
⑤977	498261	1	Gasket Set-carburetor

NOTES

PROTOTYPE

NOTES

PROTOTYPE



PROTOTYPE