



55cm Recycler[®] Lawnmower

Model No. 20656 - 240000001 and up.

Parts Catalog

Ordering Replacement Parts

To order replacement parts, please supply the part number, the quantity, and the description of each part desired.

Understanding Reference Numbers

Each identified part in an illustration has a reference number. The reference number for a part also appears in the parts list, along with other information about the part.

This catalog uses two special reference number formats, one to indicate parts in a service assembly and another to indicate the quantity of a given part in an illustration.

Service Assembly Reference Numbers

Parts in service assemblies have reference numbers in the form a:b. The a represents the reference number of the entire service assembly and the b represents a sequential number unique to each part within the service assembly.

For example, a wheel assembly might be identified by reference number 6, the tire by 6:1, the valve by 6:2, and the wheel by 6:3. When you order the assembly identified by reference number 6, you receive all parts identified by reference numbers 6:1, 6:2, and 6:3. However, you may also order any part individually. Reference numbers of this type appear in illustrations and in part lists.

Reference Numbers Indicating Quantity

In an illustration, if a reference number indicates more than one part, the reference number has the form nX y. The n represents the quantity of the part, the X is the multiplication symbol, and the y represents the reference number.

For example, in an illustration, the reference number 2X 37 means that two of the parts identified by reference number 37 are indicated.

Contents

Description	Page	Description	Page
Housing Assembly 3	Governor Assembly Briggs and Stratton	
Height Of Cut Wheel Assembly 4	122K05-0171-E1 16
Rear Axle and Transmission Assembly 5	Muffler and Fuel Tank Assembly Briggs and	
Transmission Assembly No. 106-3956 6	Stratton 122K05-0171-E1 17
Engine and Blade Assembly 7	Blower Housing Assembly Briggs and Stratton	
Handle Assembly 8	122K05-0171-E1 18
Electrical Assembly 9	Starter Assembly Briggs and Stratton 122K05-	
Grass Bag Assembly 10	0171-E1 19
Cylinder Assembly Briggs and Stratton 122K05-		Starter Assembly Briggs and Stratton 122K05-	
0171-E1 11	0171-E1 20
Crankshaft Assembly Briggs and Stratton		Gasket Assembly Briggs and Stratton 122K05-	
122K05-0171-E1 12	0171-E1 21
Crankcase Assembly Briggs and Stratton		Carburetor Overhaul Kit Assembly Briggs and	
122K05-0171-E1 13	Stratton 122K05-0171-E1 22
Carburetor Assembly Briggs and Stratton		Carburetor Overhaul Kit Assembly	
122K05-0171-E1 14		
Air Cleaner Assembly Briggs and Stratton			
122K05-0171-E1 15		

Part Description Abbreviations

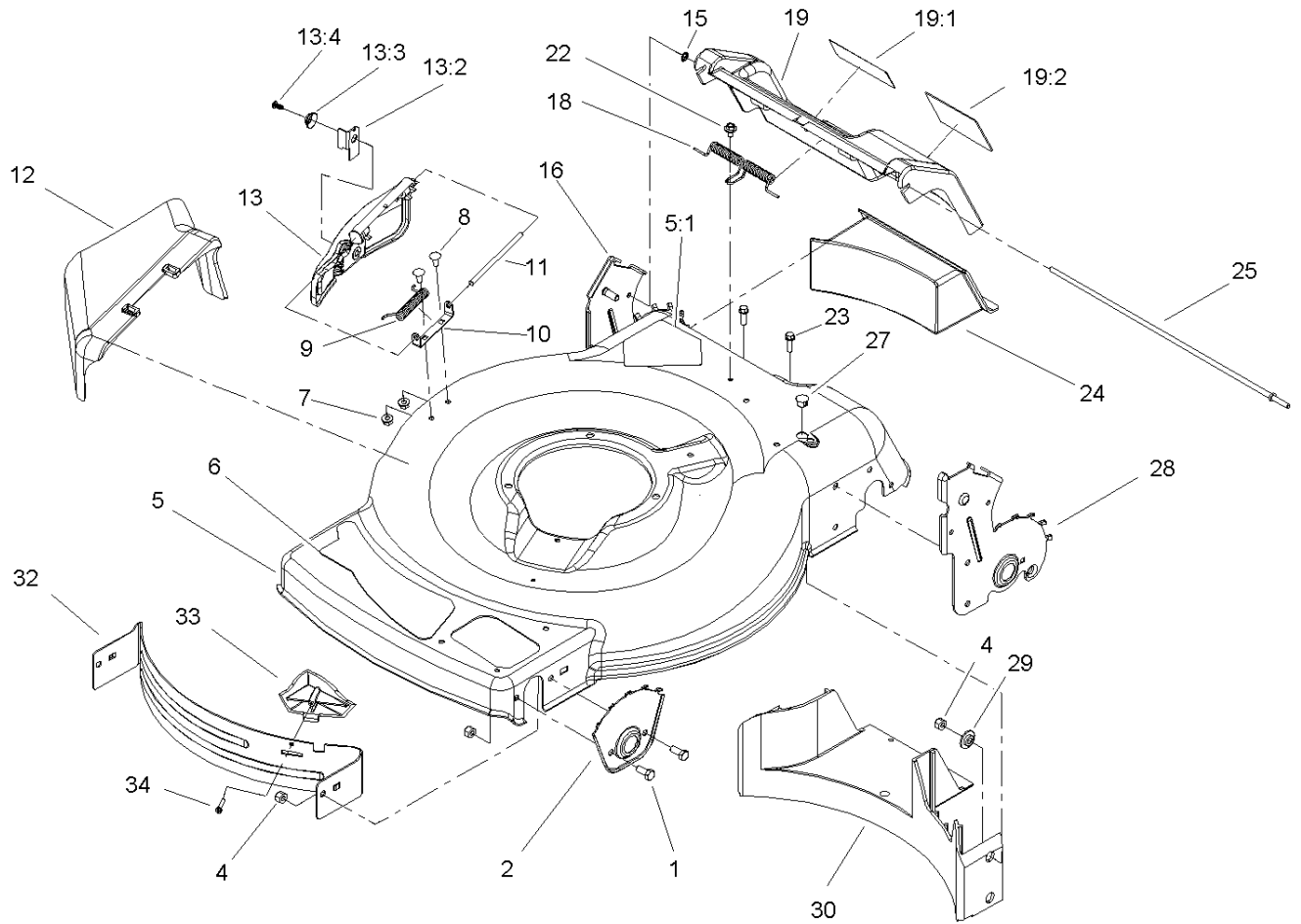
Part descriptions in this catalog may include the following abbreviations.

AR. as required	INC. incorporated
ASM. assembly	LH. left hand
CARR. carriage	NI. nylon insert
DEG. degrees	PPH. phillips pan head
FH. flat head	PTH. phillips truss head
GA. gauge	PTO. power take off
HF. hex flange	RH. right hand
HH. hex head	SFH. slotted fillister head
HHF. hex head flange	SHH. slotted hex head
HHFTF. hex head flange thread forming	SHWH. slotted hex washer head
HJ. hex jam	SPH. slotted pan head
HLH. hex lag head	SQH. square head
HOC. height-of-cut	SRH. slotted round head
HS. hex	STD. standard
HSBH. hex socket button head	TAP. self tapping
HSFH. hex socket flat head	TTH. torx truss head
HSH. hex socket head	WH. wing head
HWH. hex washer head	
HWHTF. hex washer head thread forming	
HYD. hydraulic	

PROTOTYPE

Footnotes

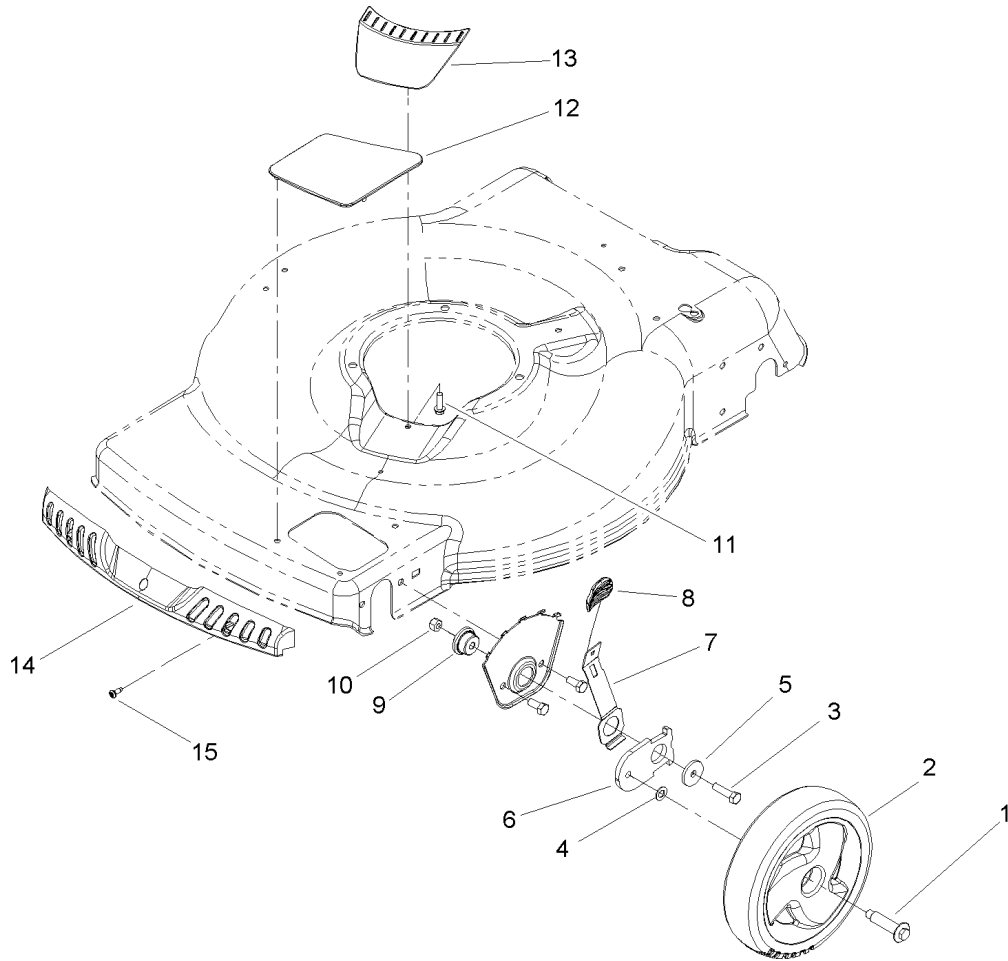
- | | |
|---|--|
| <ul style="list-style-type: none"> ❶ Not serviced separately ❸ Included in Carburetor Overhaul Kit-Ref. 121. ❺ Obtain parts from your local Briggs & Stratton dealer | <ul style="list-style-type: none"> ❷ Included in Engine Gasket Set-Ref. 358. ❹ Included in Carburetor Gasket Set-Ref. 977. |
|---|--|



Housing Assembly

Ref	Part No.	Qty.	Description
1	322-3	4	Screw-HH
2	105-1808-03	2	Plate-Hoc, Front
4	3296-29	8	Nut-Lock, NI
5	104-7916	1	Housing
5:1	94-8072	1	Decal-Danger, Cut Finger
6	105-1297	1	Decal-Deck
7	32128-32	2	Nut-HHF
8	3229-11	2	Screw-CARR
9	99-5293	1	Spring-Torsion
10	99-5292	1	Bracket-Cover
11	99-5291	1	Rod-Cover
12	105-3028	1	Chute-Side Discharge
13	106-8376	1	Discharge Door ASM
13:2	107-0795	1	Latch-Door
13:3	107-7456	1	Cap-Door
13:4	107-7461	1	Screw-Plastite
15	32112-6	1	Pushnut
16	107-0790	1	RH Rear HOC Plate ASM
18	105-3032	1	Spring-Door, Rear
19	105-1324	1	Door
19:1	104-7909	1	Decal-Warning
19:2	104-7908	1	Decal-Warning
22	46-6810	1	Screw And Washer ASM
23	46-8091	2	Screw-HWH

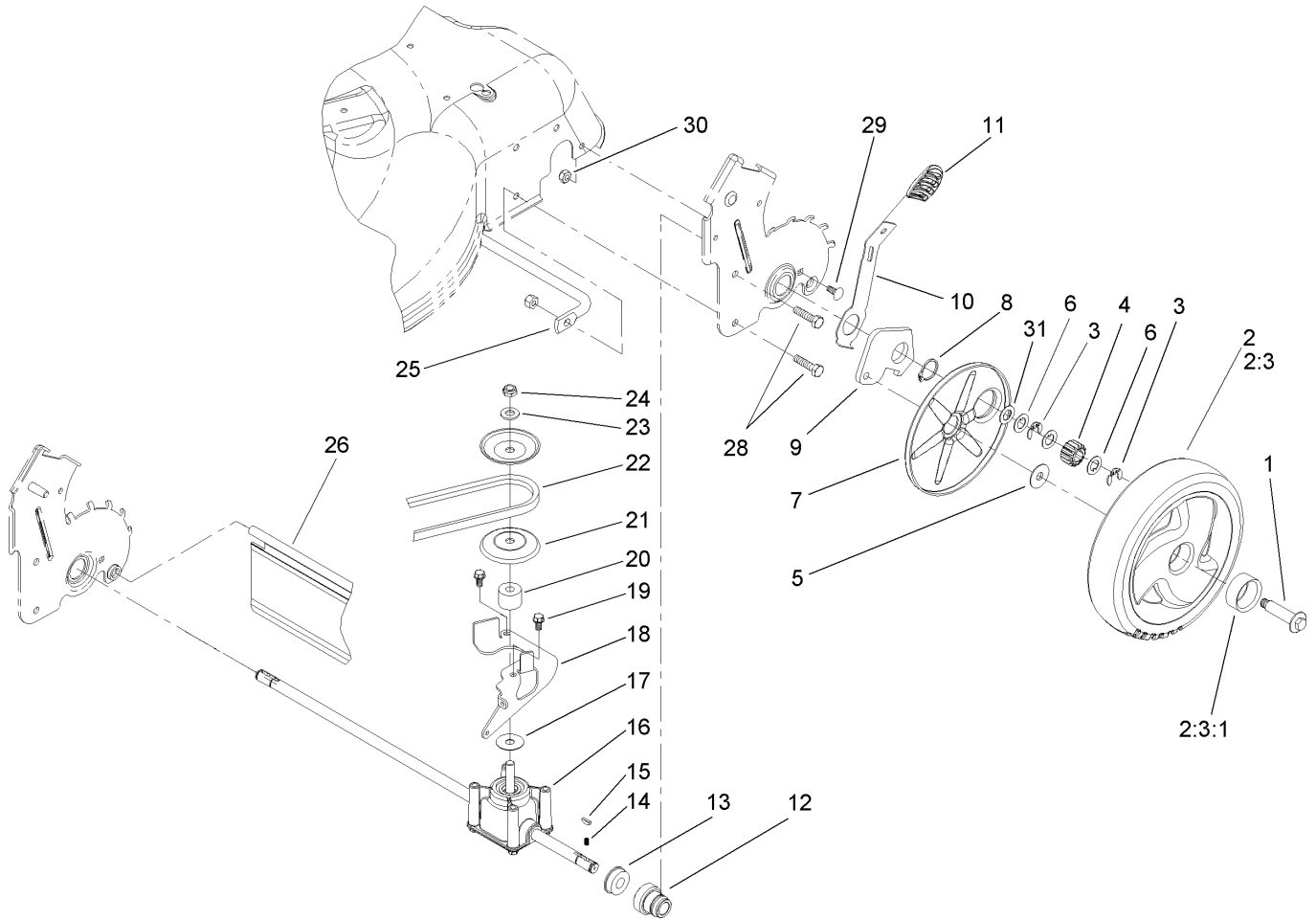
Ref	Part No.	Qty.	Description
24	105-1842	1	Plug-Discharge, Rear
25	105-1827	1	Rod-Pivot, Rear Door
27	104-9369	1	Plug-Dome
28	107-0783	1	LH Rear HOC Plate ASM
29	105-3006	4	Washer-Stepped
30	105-1834	1	Baffle-Rear
32	107-0793-03	1	Baffle-Front
33	107-0752	1	Kicker-Front
34	32144-111	1	Screw-PPH



Height Of Cut Wheel Assembly

Ref	Part No.	Qty.	Description				
1	614650	2	Bolt-Shoulder				
2	105-1814	2	Wheel ASM				
3	322-6	2	Screw-HH				
4	40-1940	2	Washer				
5	105-3048	2	Washer-Flat				
6	105-1807	2	Arm-Pivot, Front				
7	105-1809	2	Arm-Spring				
8	105-3042	2	Knob-Lever, HOC				
9	105-1818	2	Bushing-Mount, HOC				
10	3296-29	2	Nut-Lock, NI				
11	46-8091	1	Screw-HWH				
12	104-9398	1	Cover-Cutout, Hp				
13	105-3005	1	Cover-Belt Opening				
14	104-9359	1	Bumper-Mower				
15	105-6849	3	Screw-Thread Forming				

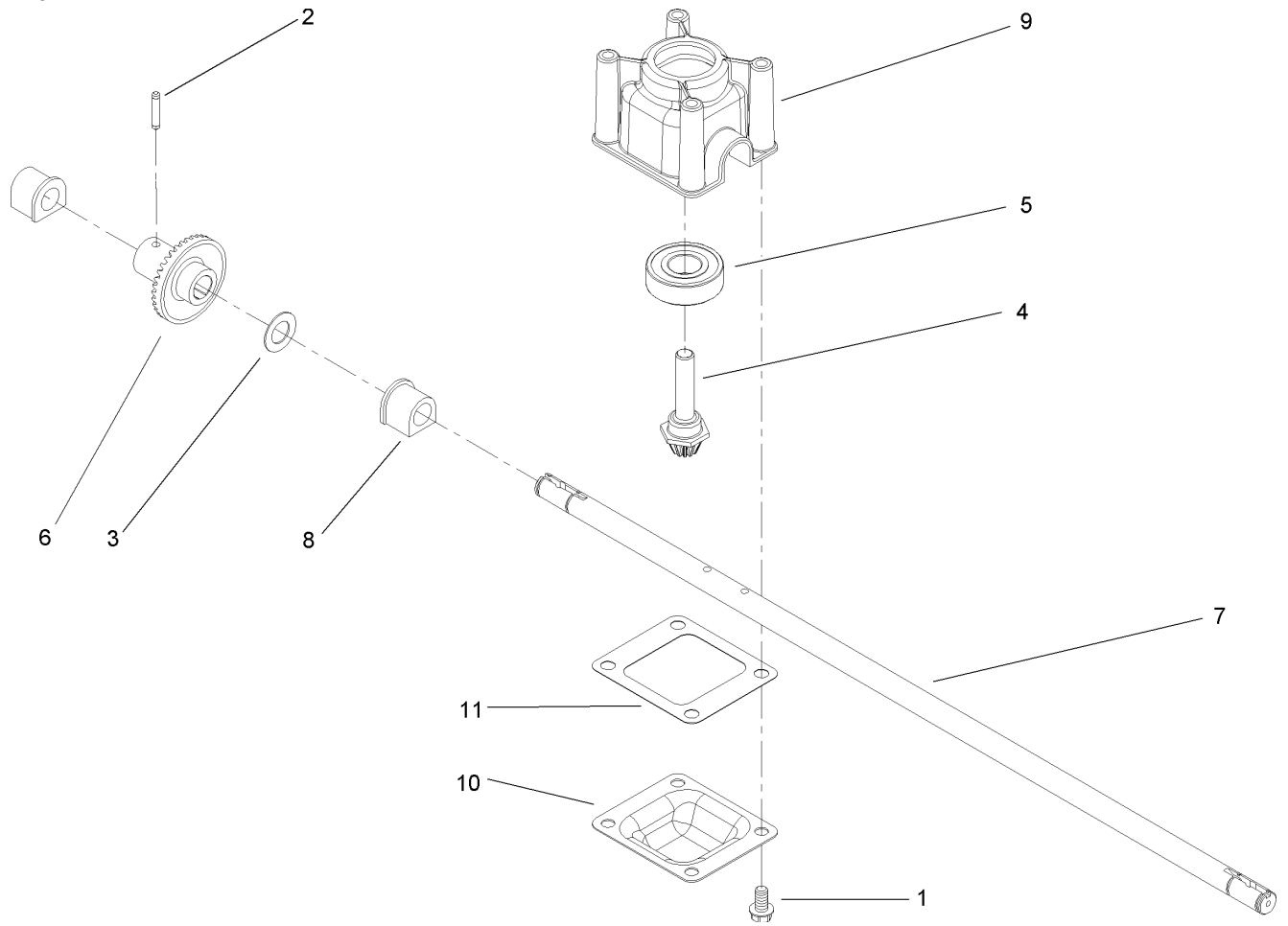
PROTOTYPE



Rear Axle and Transmission Assembly

Ref	Part No.	Qty.	Description
1	614650	2	Bolt-Shoulder
2	105-3036	2	Wheel Gear ASM
2:3		1	Wheel ASM
2:3:1	27-6250	2	Bushing
3	65-2720	4	Klipring-Locking
4	105-3040	2	Gear-Pinion, 15t
5	614426	2	Washer-Stepped
6	105-6840	6	Washer-Thrust
7	105-1838	2	Cover-Wheel
8	32151-36	2	Ring-Retaining
9	105-1819	2	Arm-Pivot, Rear
10	105-1809	2	Arm-Spring
11	105-3042	2	Knob-Lever, HOC
12	104-8698	2	Retainer-Bearing, HOC
13	104-8699	2	Bearing-Ball
14	39-9650	2	Spring-Compression
15	612066	2	Key
16	106-3956	1	Transmission ASM
17	105-6814	1	Washer-Shield
18	105-1832-03	1	Bracket-Pivot, Rwd
19	32144-4	2	Screw-HWH
20	92-5791	1	Spacer
21	100-1176	2	Pulley-Half
22	91-2258	1	V-Belt

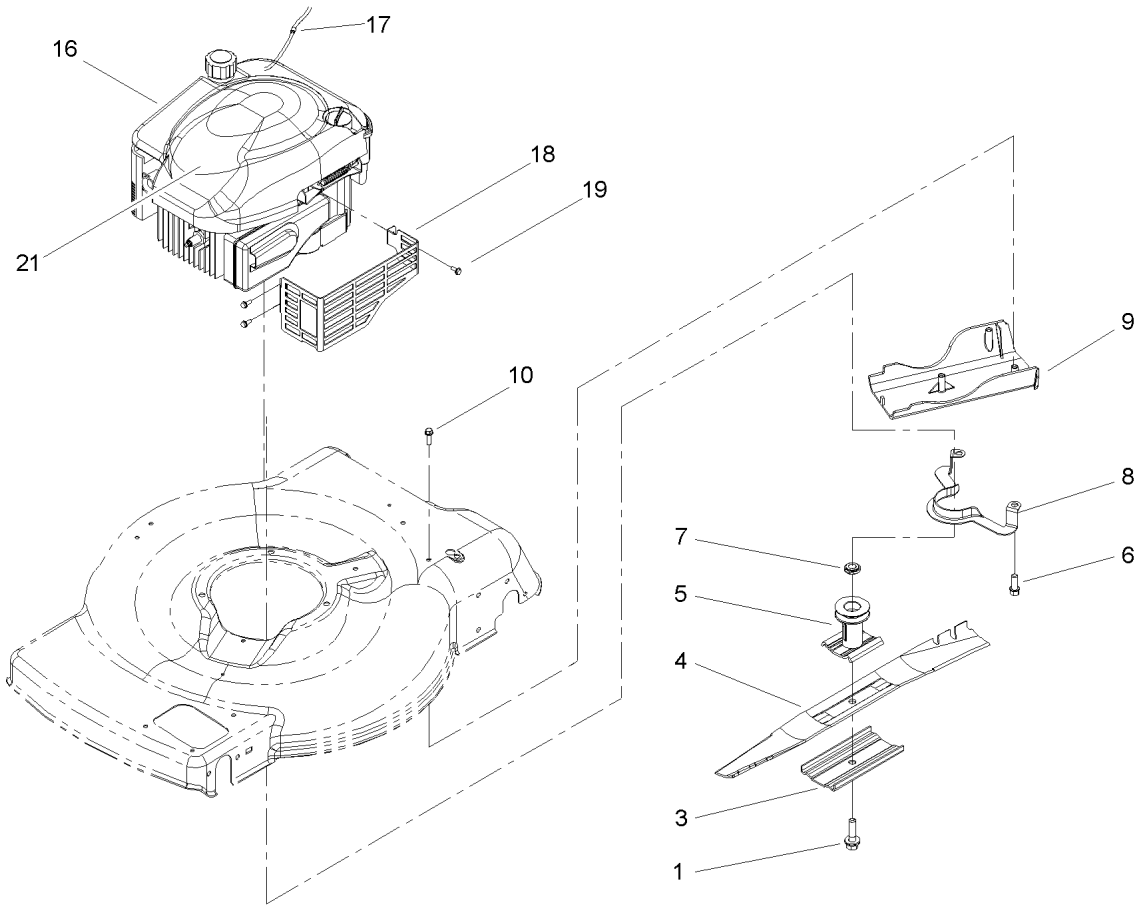
Ref	Part No.	Qty.	Description
23	3256-24	1	Washer-Flat
24	3296-5	1	Nut-Lock, NI
25	105-1811	1	Brace-HOC Plate
26	105-1843	1	Shield-Trailing
28	322-6	4	Screw-HH
29	3229-11	2	Screw-CARR
30	3296-16	2	Nut-Lock, NI
31	36-4780	1	Washer



Transmission Assembly No. 106-3956

Ref	Part No.	Qty.	Description				
1	32144-4	4	Screw-HWH				
2	105-6817	1	Pin-Groove				
3	36-4780	1	Washer				
4	92-5790	1	Pinion				
5	100-1048	1	Bearing-Ball				
6	104-8671	1	Gear-Bevel, 37t				
7	106-3957	1	Shaft-Output				
8	104-8673	2	Bushing-Shaft, Output				
9	104-8674	1	Gearcase-Upper				
10	104-8675-03	1	Cover-Gearcase				
11	105-6839	1	Gasket-Gearcase				

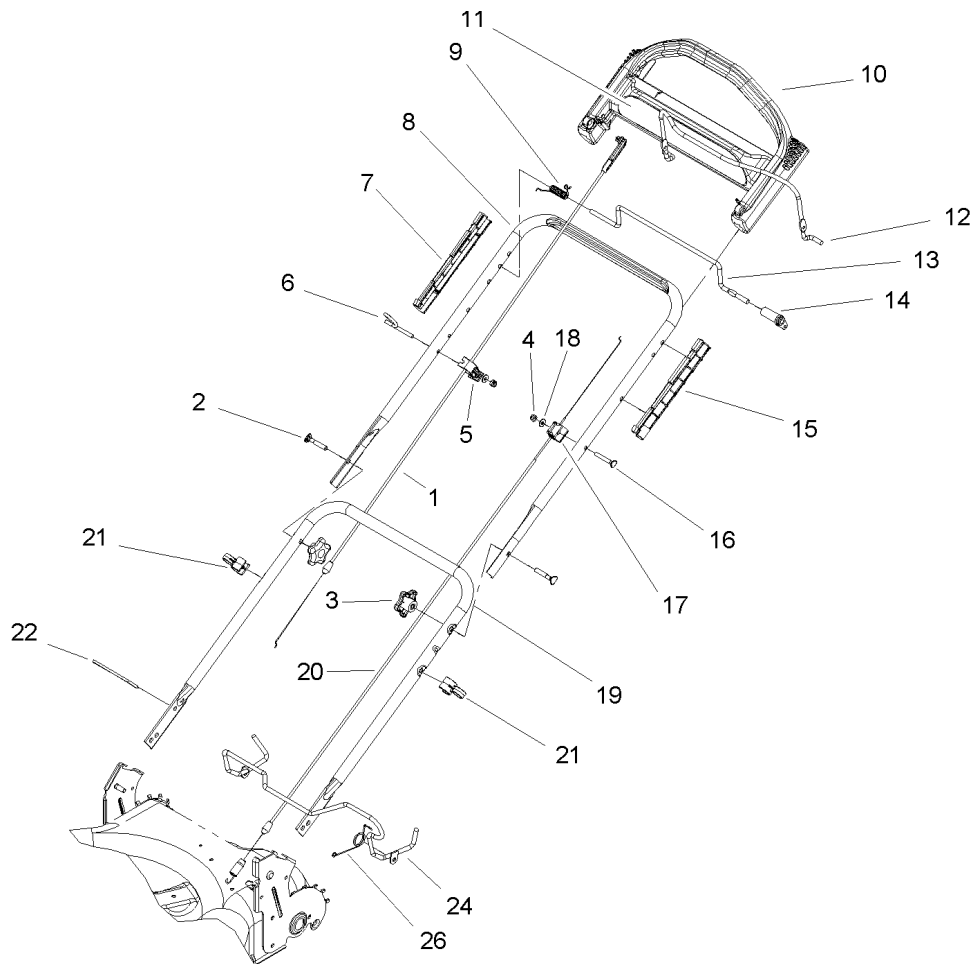
PROTOTYPE



Engine and Blade Assembly

Ref	Part No.	Qty.	Description
1	105-8579	1	Bolt-Blade
3	105-6848-03	1	Accelerator-Blade
4	104-8697-03	1	Blade
5	106-3987	1	Blade Driver ASM
6	95-1726	3	Screw-Taptite
7	106-3999	1	Spacer-Driver
8	105-3030-03	1	Guide-Belt
9	105-1835	1	Cover-Belt, Rear
10	46-8091	3	Screw-HWH
17	2210-316	1	Stop-Rope
16		1	Engine-Briggs And Stratton, 122k05-0171-e1
18	104-7577-03	1	Shield-Muffler
19	32144-1	3	Screw-Taptite
21	107-3748	1	Decal-Recoil

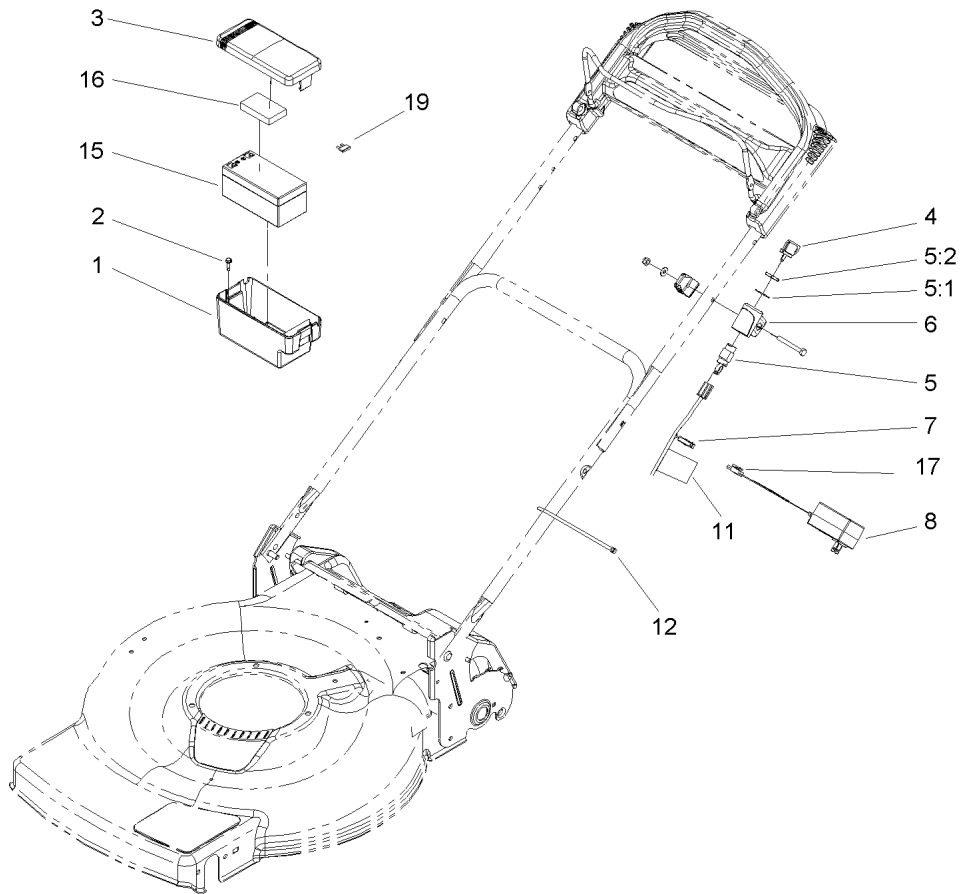
PROTOTYPE



Handle Assembly

Ref	Part No.	Qty.	Description
1	104-8676	1	Cable-Brake
2	92-2260	2	Screw-Handle
3	106-4161	2	Knob-Handle
4	3296-73	2	Nut-Lock, NI
5	106-8331	1	Anchor-Cable
6	106-8330	1	Guide-Rope
7	105-6841	2	Guide-RH
8	104-8680-05	1	Handle-Upper
9	104-8690	1	Spring-Torsion
10	104-8678	1	Handle-Control
11	107-3762	1	Decal-Handle
12	104-8679-03	1	Bail-Brake
13	99-1588	1	Bar-Control, Traction
14	99-1589	1	Lever-Traction
15	105-6842	2	Guide-LH
16	321-50	1	Screw-HH
17	92-7729	1	Anchor-Cable, Upper
18	3256-1	2	Washer-Flat
19	107-0784-05	1	Handle-Lower
20	105-1844	1	Cable-Traction
21	106-6805	2	Guide-Cable
22	614249	1	Strap-Tie
24	107-0768	1	Release Lever ASM
26	107-7472	1	Spring-Torsion

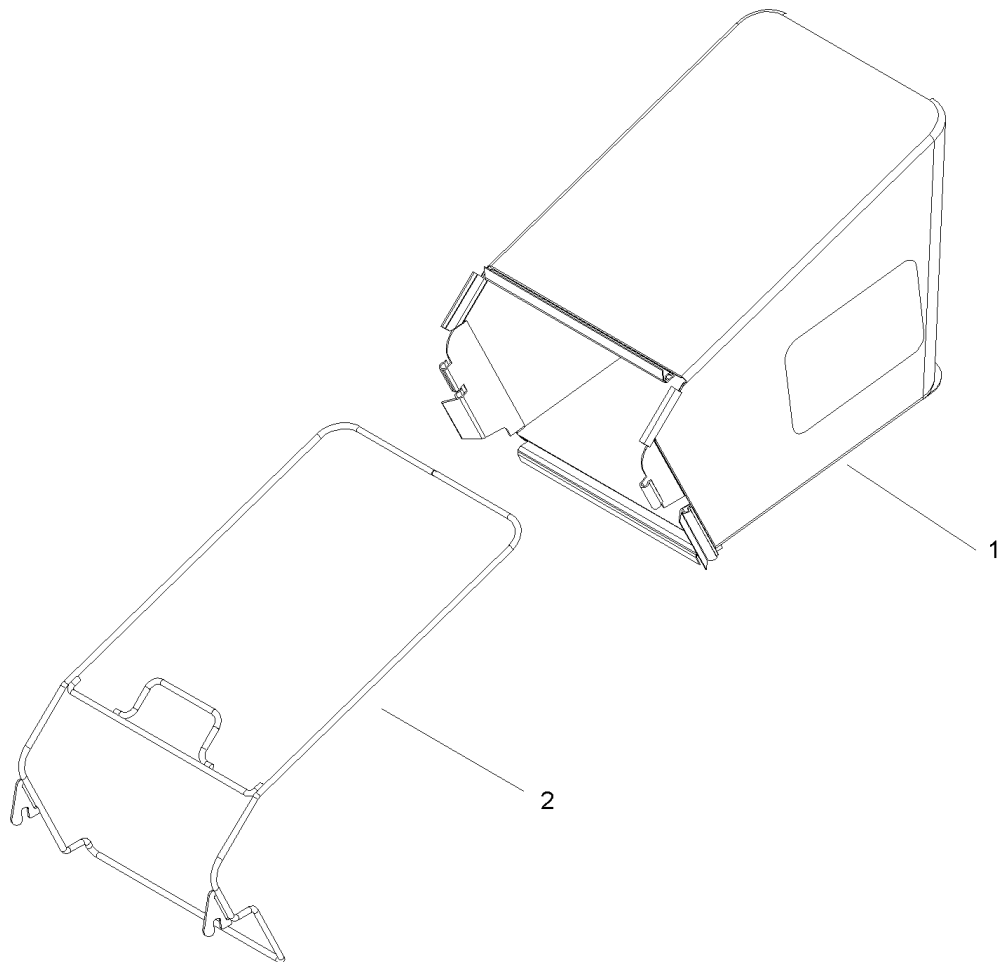
<p style="font-size: 48px; opacity: 0.5; font-weight: normal;">PROTOTYPE</p>			
--	--	--	--



Electrical Assembly

Ref	Part No.	Qty.	Description
1	107-3757	1	Box-Battery
2	104-7648	2	Screw-Tek
3	107-3758	1	Cover-Battery
4	63-8360	1	Key-Ignition
5	46-5780	1	Switch-Starter
5:1	3254-5	1	Washer-Tooth
5:2	218-461	1	Nut-HH
6	104-8692	1	Mount-Switch
7	106-8378	1	Harness-Wire
8	98-2391	1	Charger-European, 12v Dc
11	104-7953	1	Decal-Harness
12	614249	2	Strap-Tie
15	106-8397	1	Battery-12 Volt
16	107-3774	1	Foam-Battery, Top
17	107-3749	1	Adapter-Charger
19	99-6124	2	Fuse-40 Amp

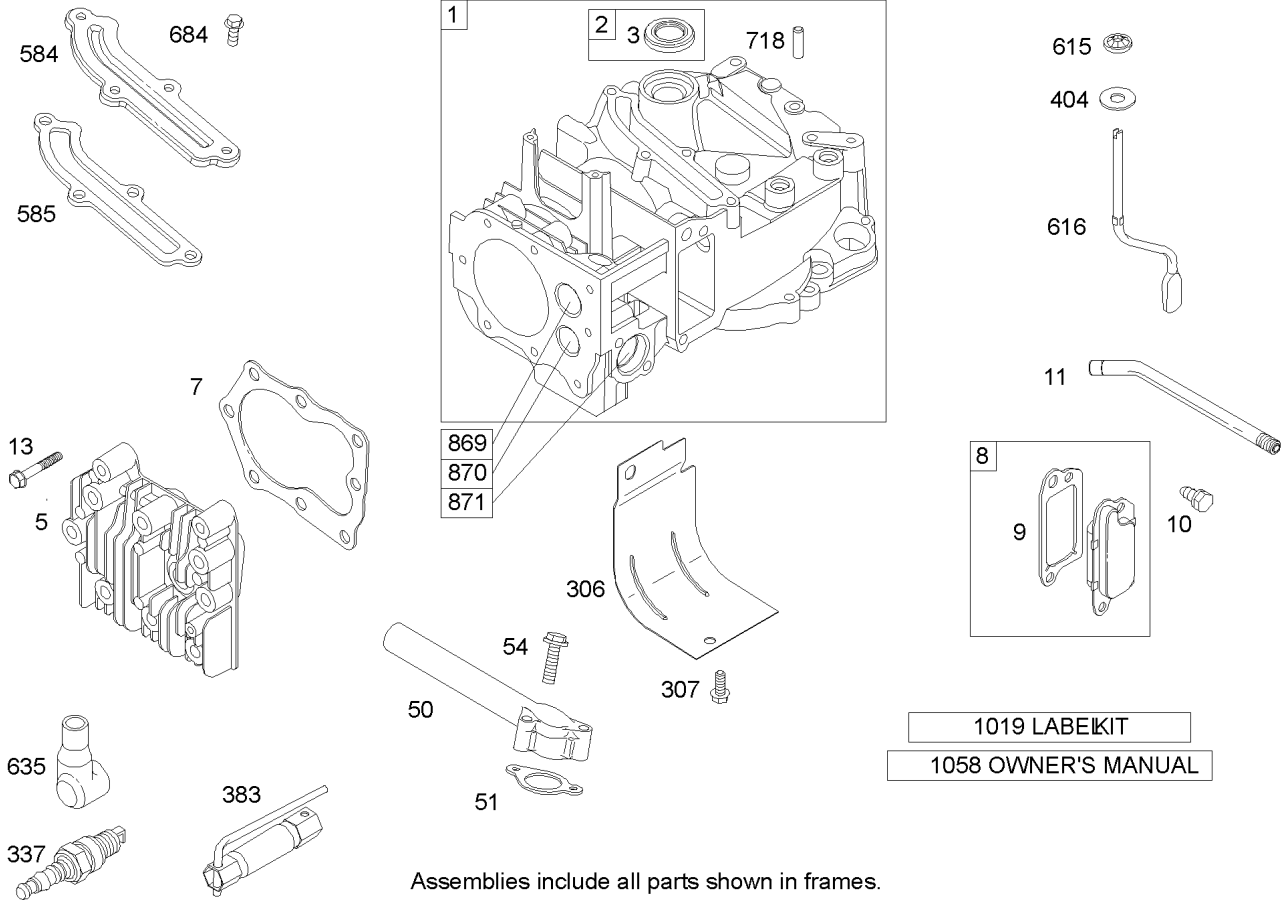
PROTOTYPE



Grass Bag Assembly

Ref	Part No.	Qty.	Description				
1	105-3011	1	Grass Bag ASM				
2	105-6831-03	1	Brace-Bag Frame ASM				

PROTOTYPE

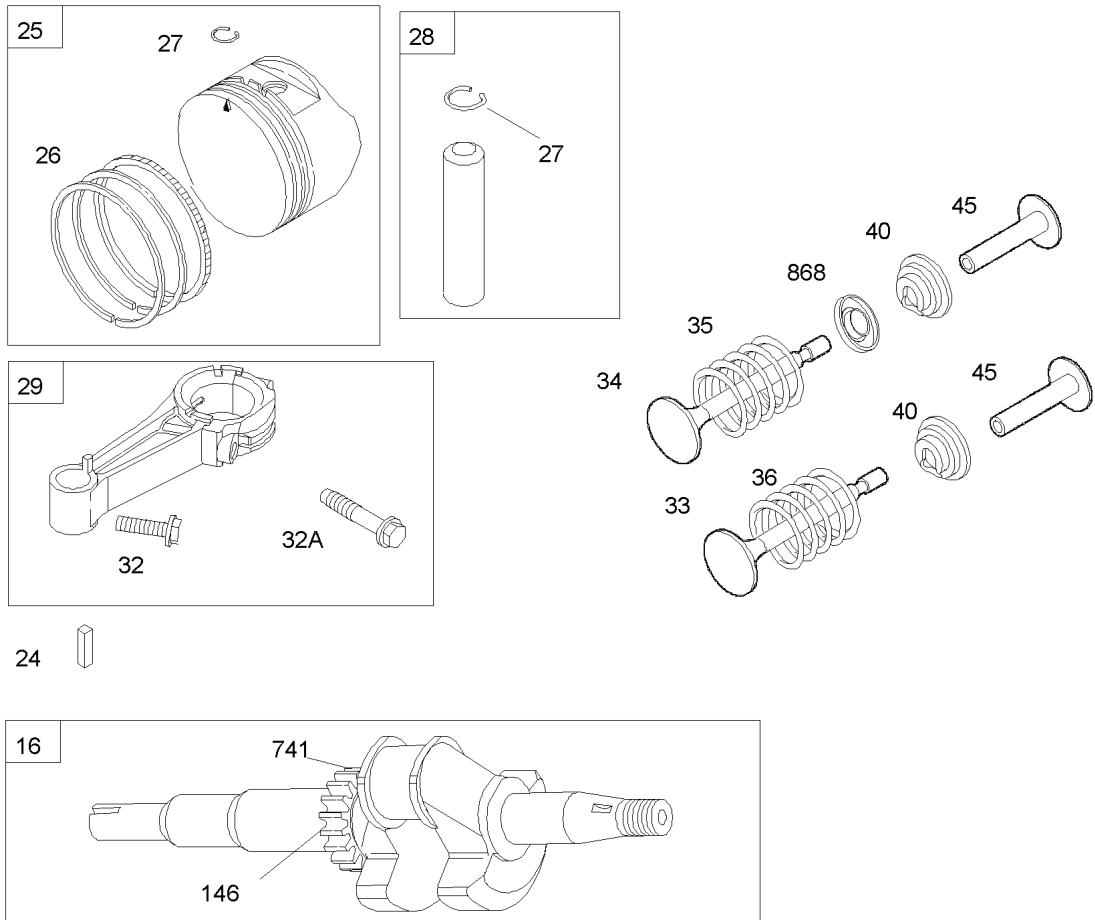


Assemblies include all parts shown in frames.

Cylinder Assembly Briggs and Stratton 122K05-0171-E1

Ref	Part No.	Qty.	Description
1	697322	1	Cylinder Assembly
2	399269	1	Kit-bushing/seal
3	299819	1	Seal-oil (Magneto Side)
5	691160	1	Head-cylinder
7	692249	1	Gasket-cylinder Head
8	695250	1	Breather Assembly
9	699472	1	Gasket-breather
10	691125	1	Screw (Breather Assembly)
11	691781	1	Tube-breather
13	690912	1	Screw (Cylinder Head)
50	497465	1	Manifold-intake
51	272199	1	Gasket-intake
54	691650	1	Screw (Intake Manifold)
306	690450	1	Cylinder Shield
307	690345	1	Screw (Starter Gear Cover)
337	802592	1	Plug-spark
383	89838	1	Wrench-sparkplug
404	690272	1	Washer (Governor Crank)
584	697734	1	Cover-breather Passage
585	691879	1	Gasket-breather Passage
615	690340	1	Retainer-governor Shaft
616	698801	1	Crank-governor
635	66538	1	Boot-spark Plug
684	690345	1	Screw (Starter Gear Cover)

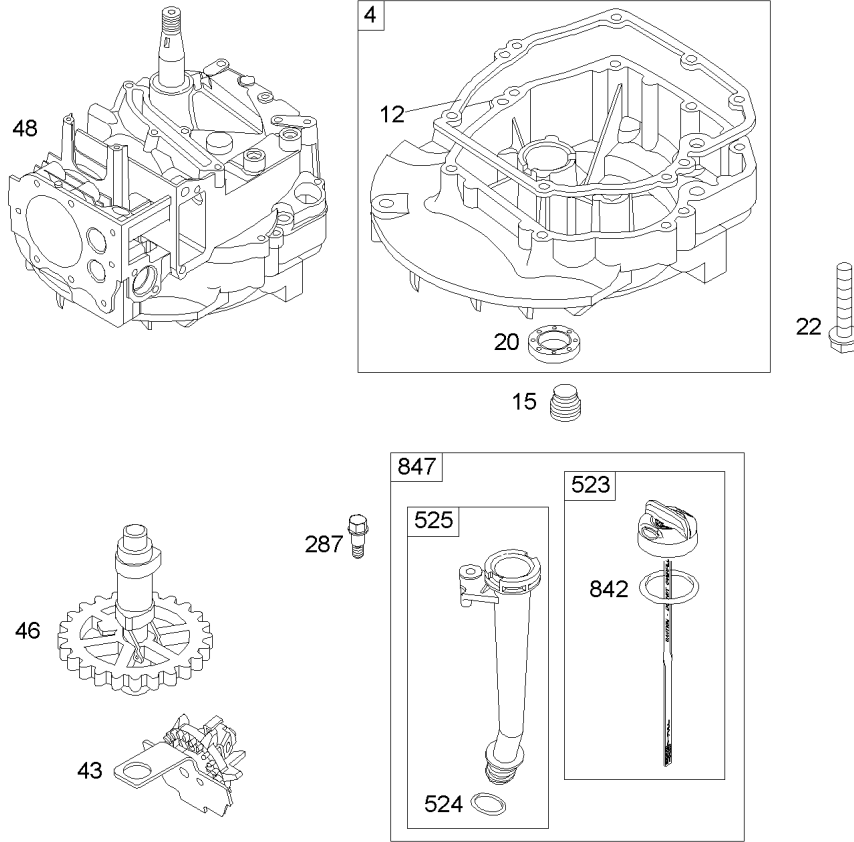
Ref	Part No.	Qty.	Description
718	690959	1	Pin-locating (Intake)
869	691155	1	Seat-valve
870	690380	1	Seat-valve (Exhaust)
871	262001	1	Bushing-guide (Exhaust)
871	63709	1	Bushing-guide (Intake)
1019	494256	1	Kit-label
1058	275177	1	Owner's Manual



Crankshaft Assembly Briggs and Stratton 122K05-0171-E1

Ref	Part No.	Qty.	Description
16	696009	1	Crankshaft
24	222698	1	Key-flywheel
25	697339	1	Piston Assembly (Standard)
25	697341	1	Piston Assembly (.020" Oversize)
26	499425	1	Ring Set (Standard)
26	499427	1	Ring Set (.020" Oversize)
27	691866	1	Lock-piston Pin
28	499423	1	Piston Pin (Standard)
28	298908	1	Piston Pin (.005" Undersize)
29	499424	1	Connecting Rod (Standard)
32	691664	1	Screw (Connecting Rod)
32A	695759	1	Screw (Connecting Rod)
33	262651	1	Valve-exhaust
34	262652	1	Valve-intake
35	691270	1	Spring-valve (Intake)
36	691270	1	Spring-valve (Intake)
40	692194	1	Retainer-valve
45	690548	1	Tappet-valve
146	690979	1	Key-timing
741	691830	1	Gear-timing
868	697338	1	Seal-valve

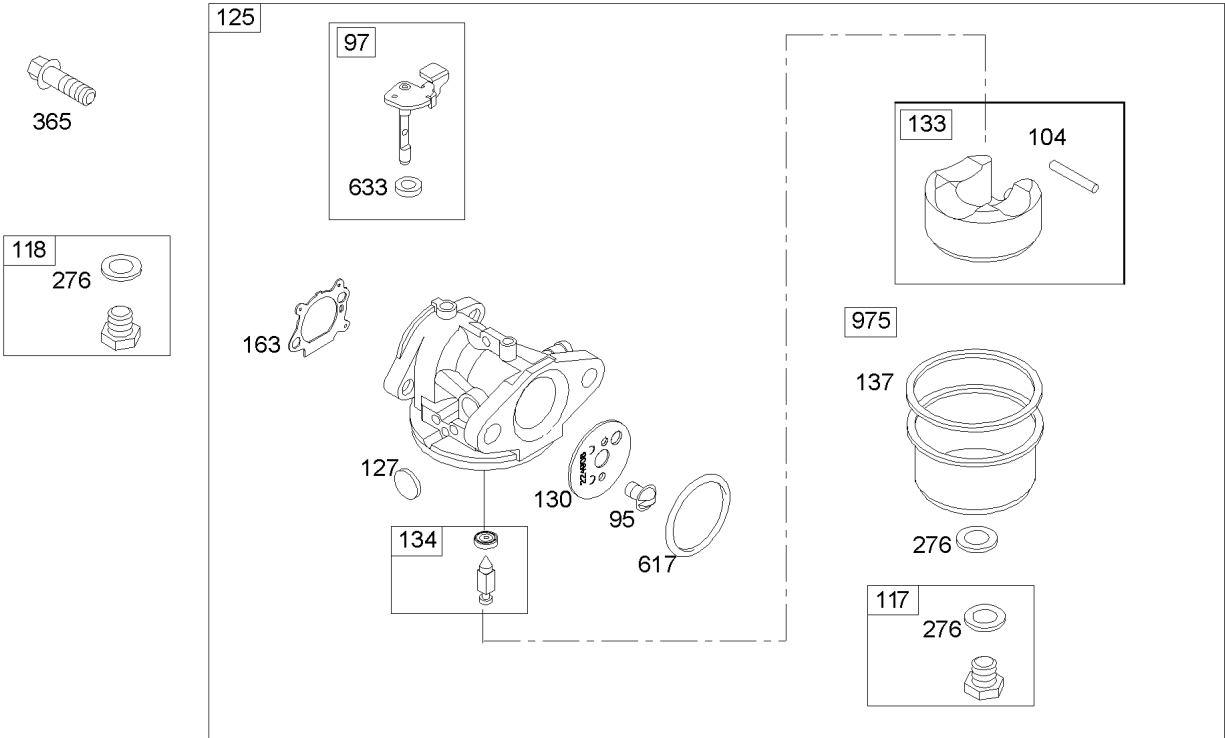
PROTOTYPE



Assemblies include all parts shown in frames.

Crankcase Assembly Briggs and Stratton 122K05-0171-E1

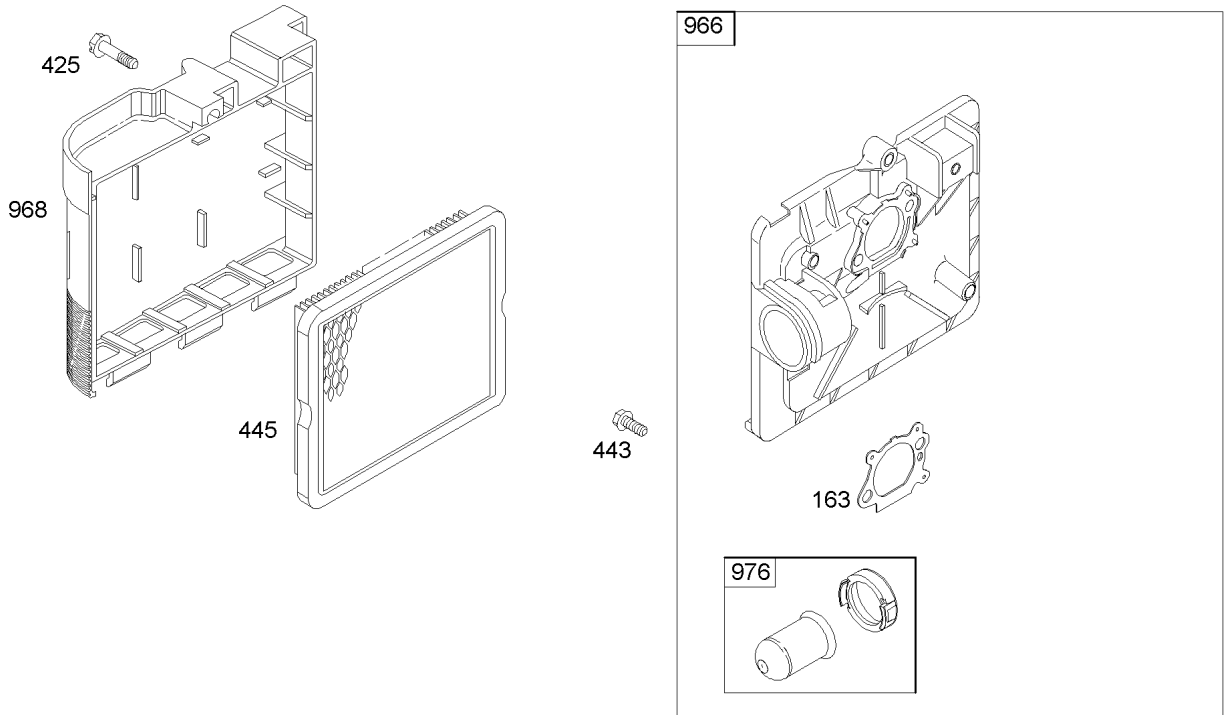
Ref	Part No.	Qty.	Description
4	493279	1	Sump-engine
2 12	692232	1	Crankcase Gasket (.015 Thick, Standard)
15	691680	1	Plug-oil Drain
2 20	399781	1	Seal-oil (Pto Side)
22	691092	1	Screw (Engine Sump)
43	691997	1	Slinger-governor/oil
46	691449	1	Camshaft
48	696276	1	Short Block
287	690940	1	Screw (Dipstick Tube)
523	499621	1	Dipstick
2 524	692296	1	Seal-o Ring (Dipstick Tube)
525	495265	1	Dipstick Tube
2 842	691031	1	Seal-o Ring (Dipstick)
847	692047	1	Dipstick/ Tube Assembly



Assemblies include all parts shown in frames.

Carburetor Assembly Briggs and Stratton 122K05-0171-E1

Ref	Part No.	Qty.	Description
⑤95	691636	1	Screw (Throttle Valve)
⑤97	696565	1	Shaft-throttle
③⑤104	691242	1	Pin-float Hinge
⑤117	498978	1	Jet-main (Standard)
⑤118	494870	1	Jet-main (High Altitude)
⑤125	498170	1	Carburetor
③⑤127	694468	1	Plug-welch
⑤130	696564	1	Valve-throttle
⑤133	398187	1	Float-carburetor
③⑤134	398188	1	Kit-needle/seat
③④137	693981	1	Gasket-float Bowl
⑤			
②③163	272653	1	Gasket-air Cleaner
④⑤			
③④276	271716	1	Washer-sealing
⑤			
⑤365	692524	1	Screw (Carburetor)
③④617	270344	1	Seal-o Ring (Intake Manifold)
⑤			
③④633	691321	1	Seal-choke/throttle Shaft
⑤			
⑤975	493640	1	Bowl-float

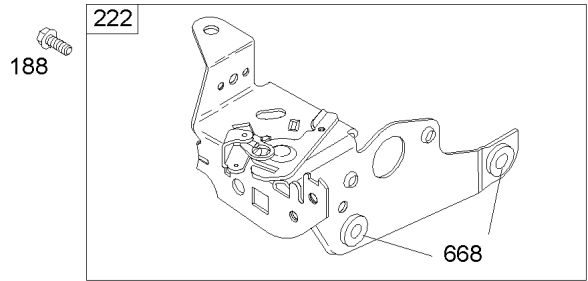
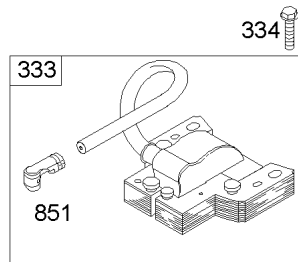
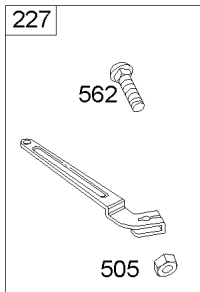
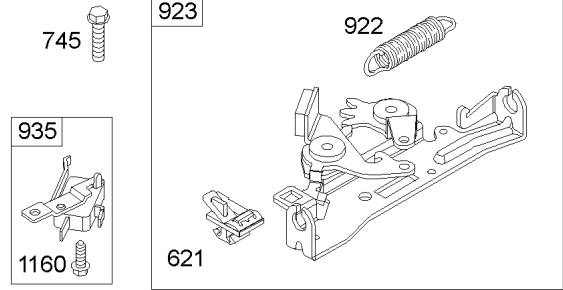
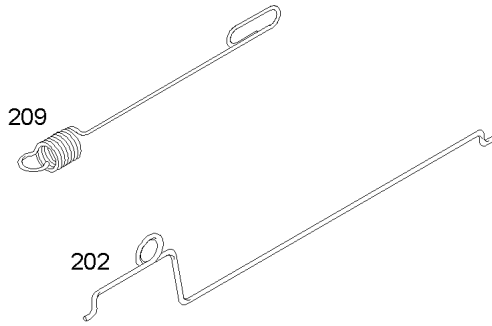


Assemblies include all parts shown in frames.

Air Cleaner Assembly Briggs and Stratton 122K05-0171-E1

Ref	Part No.	Qty.	Description
2 ⑤ 163 ④ ⑤	272653	1	Gasket—air Cleaner
⑤ 425	690670	1	Screw (Air Cleaner Cover)
⑤ 443	692523	1	Screw (Air Cleaner Primer Base)
⑤ 445	491588	1	Filter—air Cleaner Cartridge
⑤ 966	496116	1	Base—air Cleaner Primer
⑤ 968	692298	1	Cover—air Cleaner
⑤ 976	694395	1	Primer—carburetor

PROTOTYPE

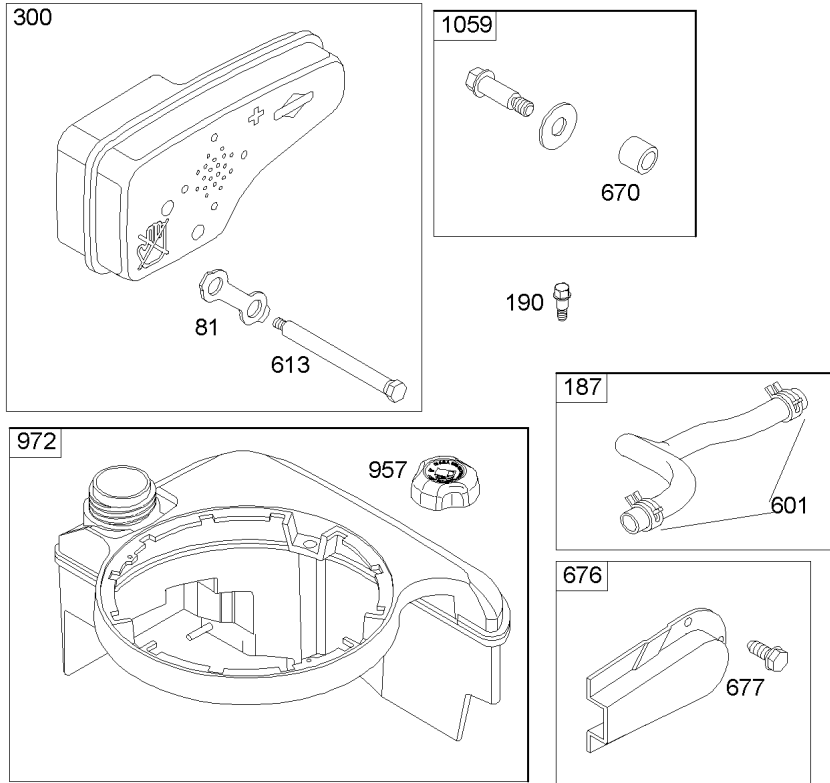


Assemblies include all parts shown in frames.

Governor Assembly Briggs and Stratton 122K05-0171-E1

Ref	Part No.	Qty.	Description
⑤ 188	693399	1	Screw (Control Bracket)
⑤ 202	691829	1	Link—mechanical Governor
⑤ 209	691852	1	Spring—governor
⑤ 222	692467	1	Bracket—control
⑤ 227	690783	1	Lever—governor Control
⑤ 333	802574	1	Armature—magneto (Magneto Armature)
⑤ 334	691061	1	Screw
⑤ 356	692390	1	Wire—stop
⑤ 505	691251	1	Nut (Governor Control Lever)
⑤ 562	691119	1	Bolt (Governor Control Lever)
⑤ 621	692310	1	Switch—stop
② ⑤ 668	493823	1	Spacer
⑤ 745	691648	1	Screw (Brake)
⑤ 851	493880	1	Terminal—spark Plug
⑤ 922	691831	1	Spring—brake
⑤ 923	691994	1	Brake
⑤ 935	398758	1	Switch—interlock
⑤ 1160	691627	1	Screw (Interlock Switch)

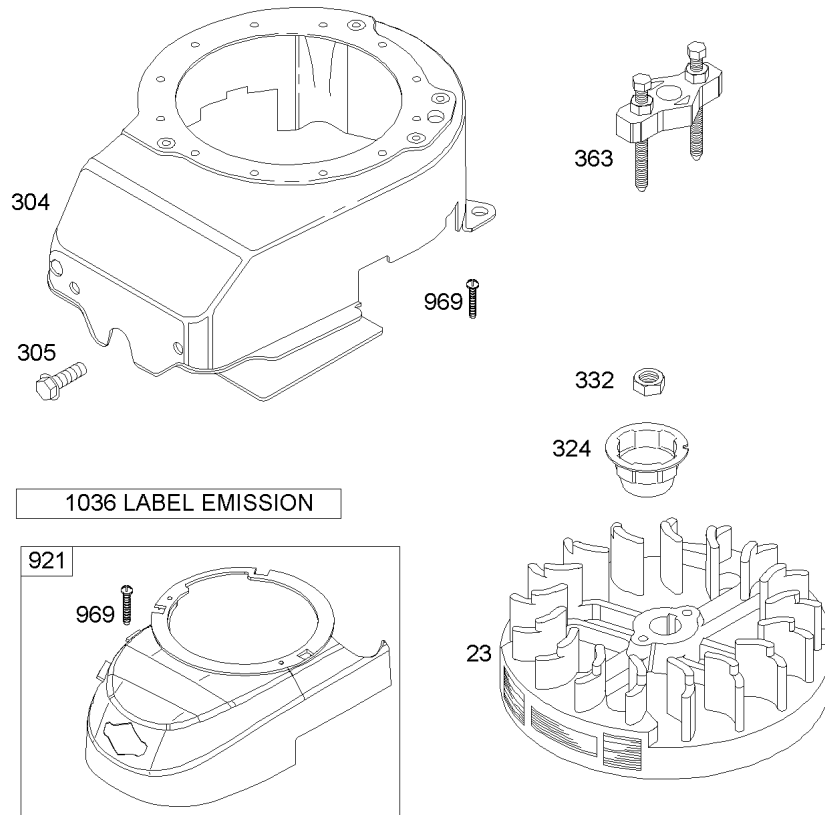
PROTOTYPE			
-----------	--	--	--



Assemblies include all parts shown in frames.

Muffler and Fuel Tank Assembly Briggs and Stratton 122K05-0171-E1

Ref	Part No.	Qty.	Description
81	691740	1	Lock-muffler Screw
187	691371	1	Line-fuel (Cut To Required Length)
190	690940	1	Screw (Dipstick Tube)
300	692038	1	Muffler
601	95162	1	Clamp-hose
613	691340	1	Screw (Muffler)
670	692294	1	Spacer-fuel Tank
676	493871	1	Deflector-muffler
677	690661	1	Screw (Muffler Deflector)
957	692046	1	Cap-fuel Tank
972	699374	1	Tank-fuel
1059	692311	1	Kit-screw/washer

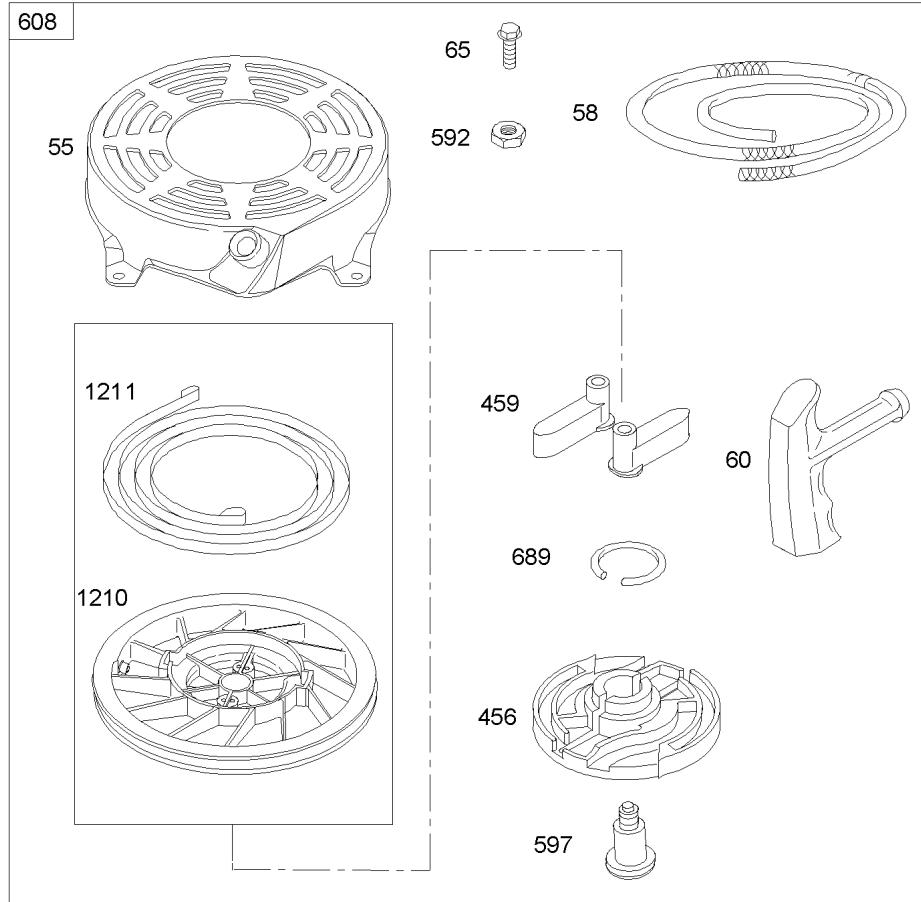


Assemblies include all parts shown in frames.

Blower Housing Assembly Briggs and Stratton 122K05-0171-E1

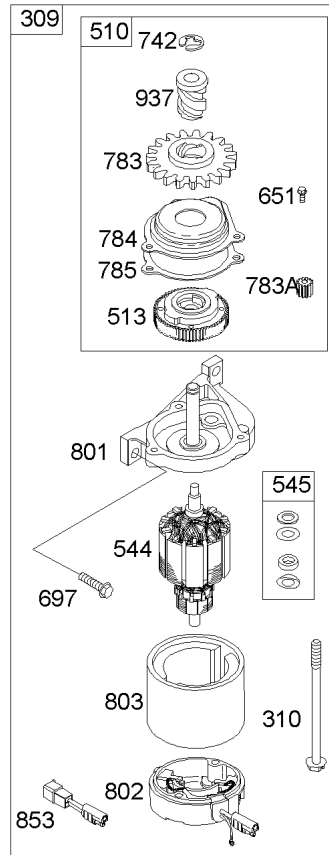
Ref	Part No.	Qty.	Description
⑤23	691987	1	Flywheel
⑤304	493293	1	Housing-blower
⑤305	691108	1	Screw (Blower Housing)
⑤324	695161	1	Cup/screen Assembly
⑤332	690662	1	Nut (Flywheel)
⑤363	19069	1	Puller-flywheel
⑤921	790036	1	Cover-blower Housing
⑤969	691138	1	Screw (Blower Housing Cover)
⑤1036	697457	1	Label-emission

PROTOTYPE



Starter Assembly Briggs and Stratton 122K05-0171-E1

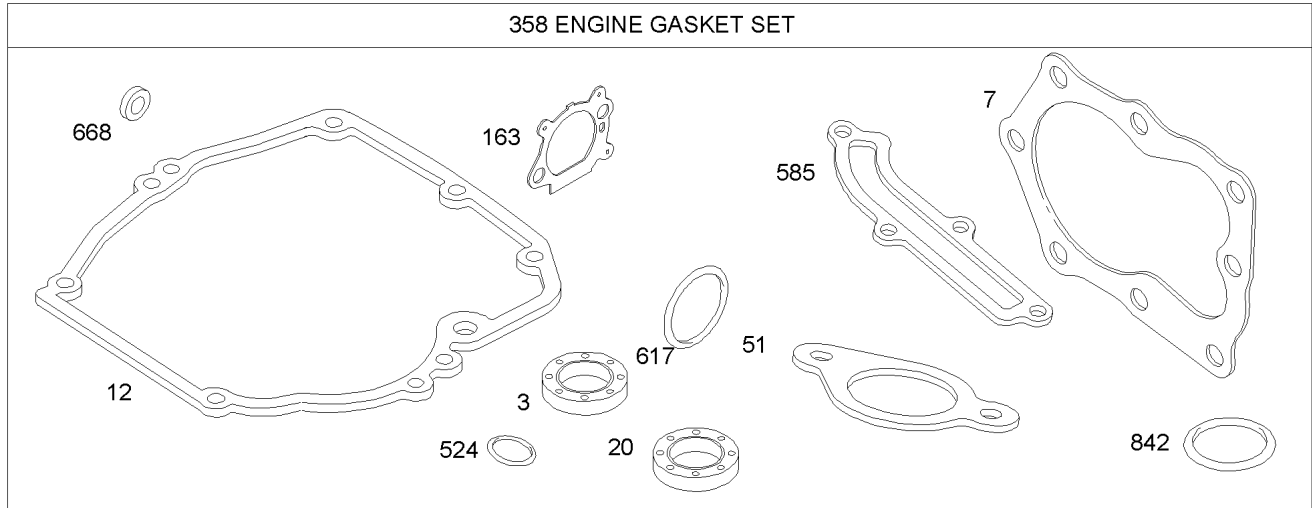
Ref	Part No.	Qty.	Description
55	691421	1	Housing—rewind Starter
58	697316	1	Rope—starter (Cut To Required Length)
60	281434	1	Grip—starter Rope
65	690837	1	Screw (Rewind Starter)
456	692299	1	Plate—pawl Friction
459	281505	1	Ratchet—pawl
592	690800	1	Nut (Rewind Starter)
597	691696	1	Screw (Pawl Friction Plate)
608	497680	1	Starter—rewind
689	691855	1	Spring—friction
1210	498144	1	Pulley/spring Assembly (Spring)
1211	498144	1	Pulley/spring Assembly (Spring)



Assemblies include all parts shown in frames.

Starter Assembly Briggs and Stratton 122K05-0171-E1

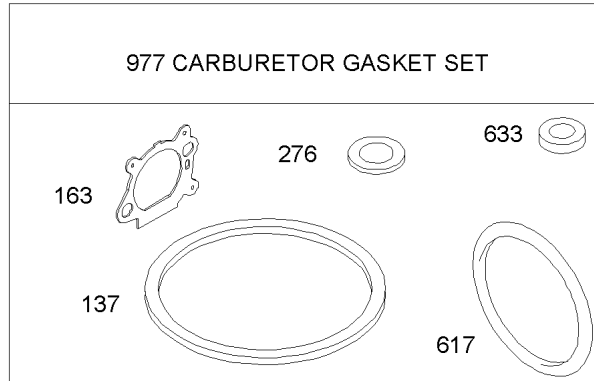
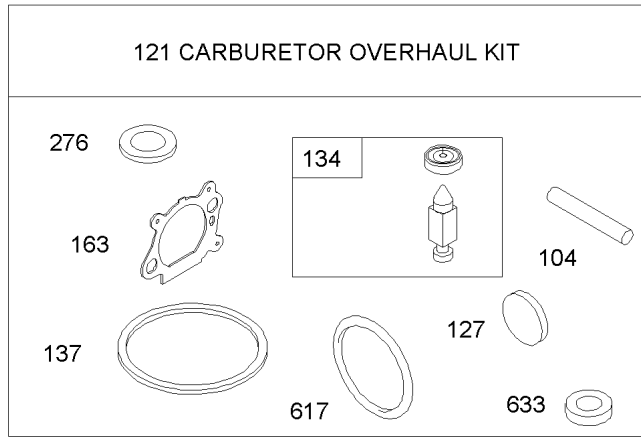
Ref	Part No.	Qty.	Description				
309	695550	1	Motor-starter				
310	692327	1	Bolt (Starter Motor)				
510	494147	1	Drive-starter				
513	692358	1	Clutch-drive				
544	690786	1	Armature-starter				
545	492919	1	Washer Set				
651	690345	1	Screw (Starter Gear Cover)				
697	691127	1	Screw (Drive Cap)				
742	93941	1	Retainer-e Ring				
783	691918	1	Gear-pinion				
783A	691269	1	Gear-pinion				
784	692341	1	Cover-gear				
785	692352	1	Gasket-starter Cover				
801	690782	1	Cap-drive				
802	695267	1	Cap-end				
803	695266	1	Housing-starter				
853	695268	1	Adapter-wire				
937	691325	1	Spline-starter				



Assemblies include all parts shown in frames.

Gasket Assembly Briggs and Stratton 122K05-0171-E1

Ref	Part No.	Qty.	Description
253	299819	1	Seal-oil (Magneto Side)
257	692249	1	Gasket-cylinder Head
2512	692232	1	Crankcase Gasket (.015 Thick, Standard)
3520	399781	1	Seal-oil (Pto Side)
2551	272199	1	Gasket-intake
25163	272653	1	Gasket-air Cleaner
45			
5358	497316	1	Gasket Set-engine
25524	692296	1	Seal-o Ring (Dipstick Tube)
25585	691879	1	Gasket-breather Passage
25617	270344	1	Seal-o Ring (Intake Manifold)
45			
25668	493823	1	Spacer
25842	691031	1	Seal-o Ring (Dipstick)



Assemblies include all parts shown in frames.

Carburetor Overhaul Kit Assembly Briggs and Stratton 122K05-0171-E1

Ref	Part No.	Qty.	Description
⑤⑤104	691242	1	Pin-float Hinge
⑤⑤121	498260	1	Kit-carburetor Overhaul
⑤⑤127	694468	1	Plug-welch
⑤⑤134	398188	1	Kit-needle/seat
⑤④137	693981	1	Gasket-float Bowl
⑤			
②⑤163	272653	1	Gasket-air Cleaner
④⑤			
⑤④276	271716	1	Washer-sealing
⑤			
②⑤617	270344	1	Seal-o Ring (Intake Manifold)
⑤			
⑤④633	691321	1	Seal-choke/throttle Shaft
⑤			
⑤977	498261	1	Gasket Set-carburetor

PROTOTYPE

NOTES

PROTOTYPE



PROTOTYPE