



Count on it.

Parts Catalog

Multi Pro[®] 1750 Turf Sprayer

Model No. 41196—Serial No. 419000000 and Up



Ordering Replacement Parts

To order replacement parts, please supply the part number, the quantity, and the description of each part desired.

Understanding Reference Numbers

Each identified part in an illustration has a reference number. The reference number for a part also appears in the parts list, along with other information about the part.

This catalog uses two special reference number formats, one to indicate parts in a service assembly and another to indicate the quantity of a given part in an illustration.

Service Assembly Reference Numbers

Parts in service assemblies have reference numbers in the form a:b. The a represents the reference number of the entire service assembly and the b represents a sequential number unique to each part within the service assembly.

For example, a wheel assembly might be identified by reference number 6, the tire by 6:1, the valve by 6:2, and the wheel by 6:3. When you order the assembly identified by reference number 6, you receive all parts identified by reference numbers 6:1, 6:2, and 6:3. However, you may also order any part individually. Reference numbers of this type appear in illustration and in parts lists.

Reference Numbers Indicating Quantity

In an illustration, if a reference number indicates more than one part, the reference number has the form nX y. The n represents the quantity of the part, the X is the multiplication symbol, and the y represents the reference number.

For example, in an illustration, the reference number 2X 37 means that two of the parts identified by reference number 37 are indicated.

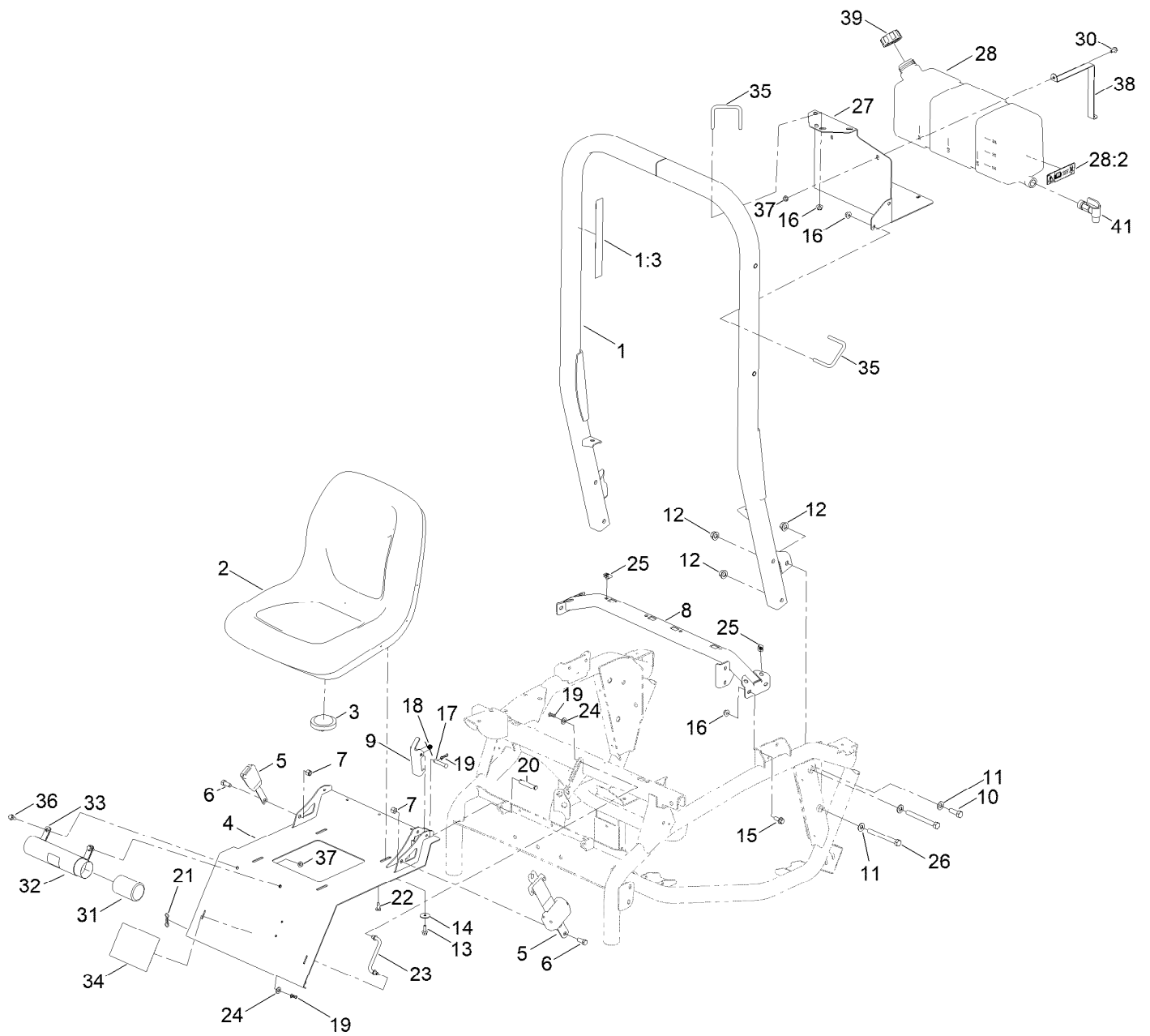
Contents

Roll-Over Protection System and Seat Assembly	6
Frame Assembly	8
Rear Drive Assembly	10
Case Assembly Transaxle Assembly No. 120-7610	12
Center Plate Assembly Transaxle Assembly No. 120-7610	13
Main Shaft Assembly Transaxle Assembly No. 120-7610	14
Reduction Shaft Assembly Transaxle Assembly No. 120-7610	15
Reverse Shaft Assembly Transaxle Assembly No. 120-7610	16
Main Shift Assembly Transaxle Assembly No. 120-7610	17
Counter Shaft Assembly Transaxle Assembly No. 120-7610	18
Differential Gear Assembly Transaxle Assembly No. 120-7610	19
Differential Carrier Assembly Transaxle Assembly No. 120-7610	20
Differential Lock Assembly Transaxle Assembly No. 120-7610	21
Axle Shaft Assembly Transaxle Assembly No. 120-7610	22
Brake Caliper Assembly No. 127-7424	23
Brake Hydraulic Assembly	24
Master Cylinder Assembly No. 104-6782	25
Front Suspension Assembly	26
Hydraulic Cylinder Assembly No. 125-0720	29
Pedal Assembly	30
Parking Brake Lever and Cable Assembly	31
Control Console Mount Assembly	32
Gear Shift and Drift Lock Control Assembly	33
Shift Assembly No. 106-7887	34
Control Console Assembly	36
Hood, Dash and Headlight Assembly	38
Seat Base and Front Fender Assembly	40
Air Cleaner Assembly	42
Air Cleaner Assembly No. 138-5650	44
Hydraulic Steering Assembly	45
Hydraulic Pump Assembly No. 121-6545	47
Steering Valve Assembly No. 138-6100	48
Boom Lift Hydraulic Assembly	49
Hydraulic Cylinder Assembly No. 117-0701	50
On-Off Boom Lift Valve Assembly No. 136-2400	52
Engine Mounting Assembly	54
Pump Assembly No. 145-3381	56
Exhaust Assembly	58
Fuel Tank, Filter and Line Assembly	60
Fuel Tank Assembly No. 115-9048	62
Driveshaft Connection Assembly	64
Driveshaft Assembly No. 119-6040	66
Clutch and Bell Housing Assembly	67
Spray Tank Valve Assembly	68
Tank Assembly No. 121-6491	70
Spray Tank Lid Assembly No. 138-6283	71
Filter Assembly No. 130-7096	72
Spray Tank Valve Assembly	73
Section Manifold Assembly	74
Agitation Manifold Assembly	76
Hose Assembly	78
Main Wiring Harness and Battery Assembly	80
Center Boom Mount Assembly	82
LH Single Turret Body Assembly No. 108-3725	84

Contents (continued)

Double Turret Body Assembly No. 108-3727	85
RH Single Body Turret Assembly No. 108-3726	86
Boom Pivot Mount Assembly	88
Boom Pivot Bracket Assembly	89
Left and Right Hand Boom Assembly	90
Attachments and Accessories	91

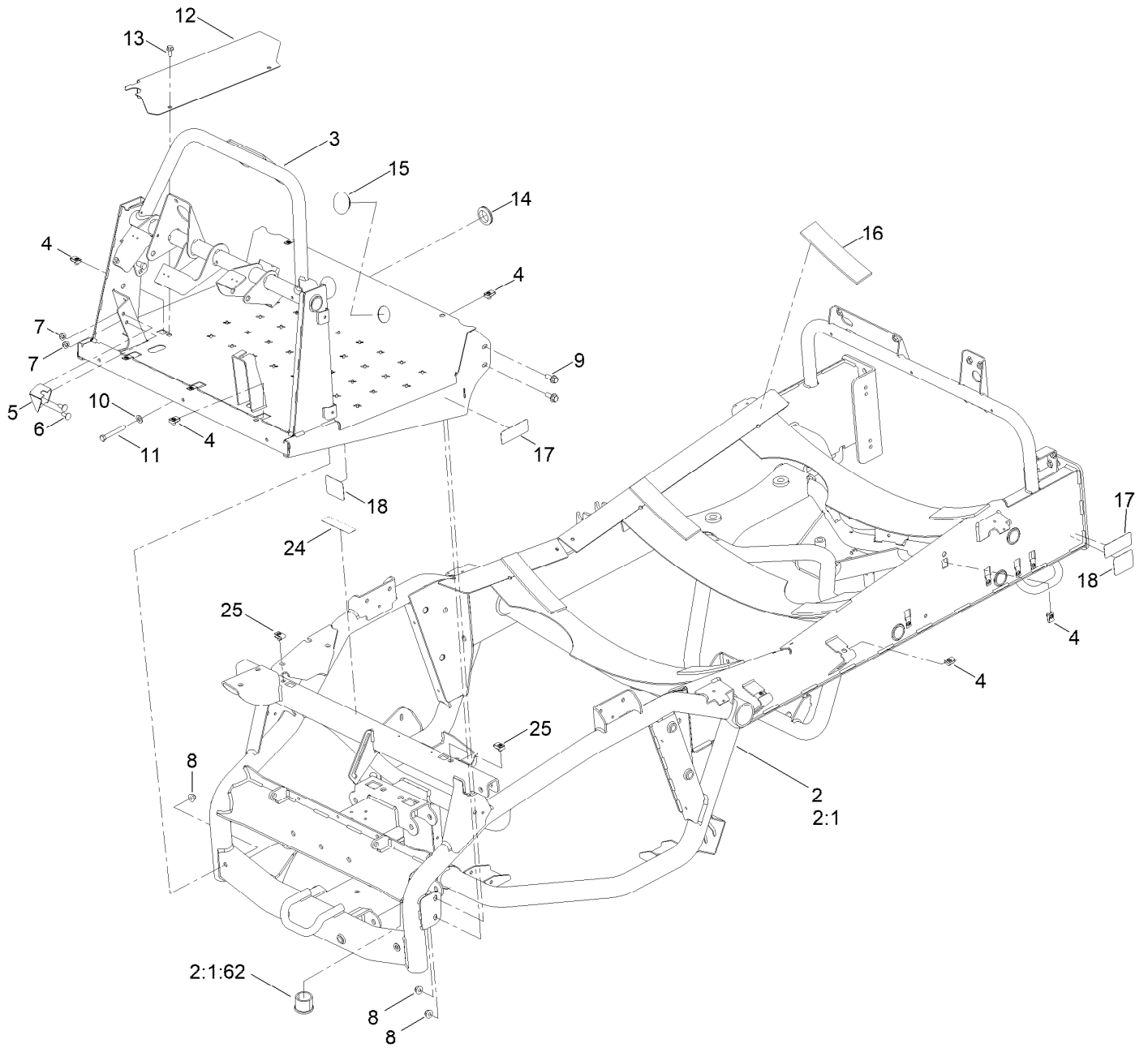
Roll-Over Protection System and Seat Assembly



Roll-Over Protection System and Seat Assembly (continued)

<i>Ref.</i>	<i>Part Number</i>	<i>Qty.</i>	<i>Description</i>	<i>Ref.</i>	<i>Part Number</i>	<i>Qty.</i>	<i>Description</i>
1	127-3918	1	ROPS ASM	20	100-6541	2	Pin-Clevis
1:3	127-3939	1	Decal-ROPS	21	119-1416	2	Pin-Cotter, Locking
2	112-2923	1	Seat ASM	22	87-8460	3	Bumper-Rubber
3	100-3524	1	Switch-Seat	23	125-0909	1	Rod-Prop, Seat
4	125-0872-03	1	Plate-Seat	24	3256-24	2	Washer-Plain
5	110-0413	1	Seatbelt-Retractable	25	94-2413	3	Nut-U
6	3212-4	2	Screw-HH	26	325-19	4	Screw-HH
7	3296-7	2	Nut-Lock	27	131-5797-03	1	Mount-Tank, Eye Wash
8	163-2948-03	1	Seat Cross-Member, ASM [black]	28	132-7745	1	Fresh Water Tank ASM
9	125-0916	1	Latch-Seat	28:2	120-0616	3	Decal-Water, Fresh
10	325-6	2	Screw-HH	30	3234-7	4	Screw-HHF
11	3256-26	6	Washer-Flat	31	104-7048	1	Cap-Housing
12	139-1689	6	Nut-HF	32	104-7050	1	Tube-Manual
13	33104-025	4	Screw-HHF	33	2412-133	2	Clamp-R
14	3256-57	4	Washer-Flat	34	133-0382	1	Decal-Service/Maintenance
15	3234-42	4	Screw-HHF	35	119-6727	2	U-Bolt
16	119-4042	8	Nut-HF, NI	36	3234-47	2	Screw-HHF
17	283-82	1	Pin-Clevis	37	119-4041	6	Nut-HF
18	104-4821	1	Spring-Torsion	38	132-7628-03	2	Band-Tank, Eye Wash
19	119-1415	3	Pin-Cotter, Locking	39	137-4291	1	Cap-Tank, Fresh Water
				41	100-7011	1	Spigot-90 DEG

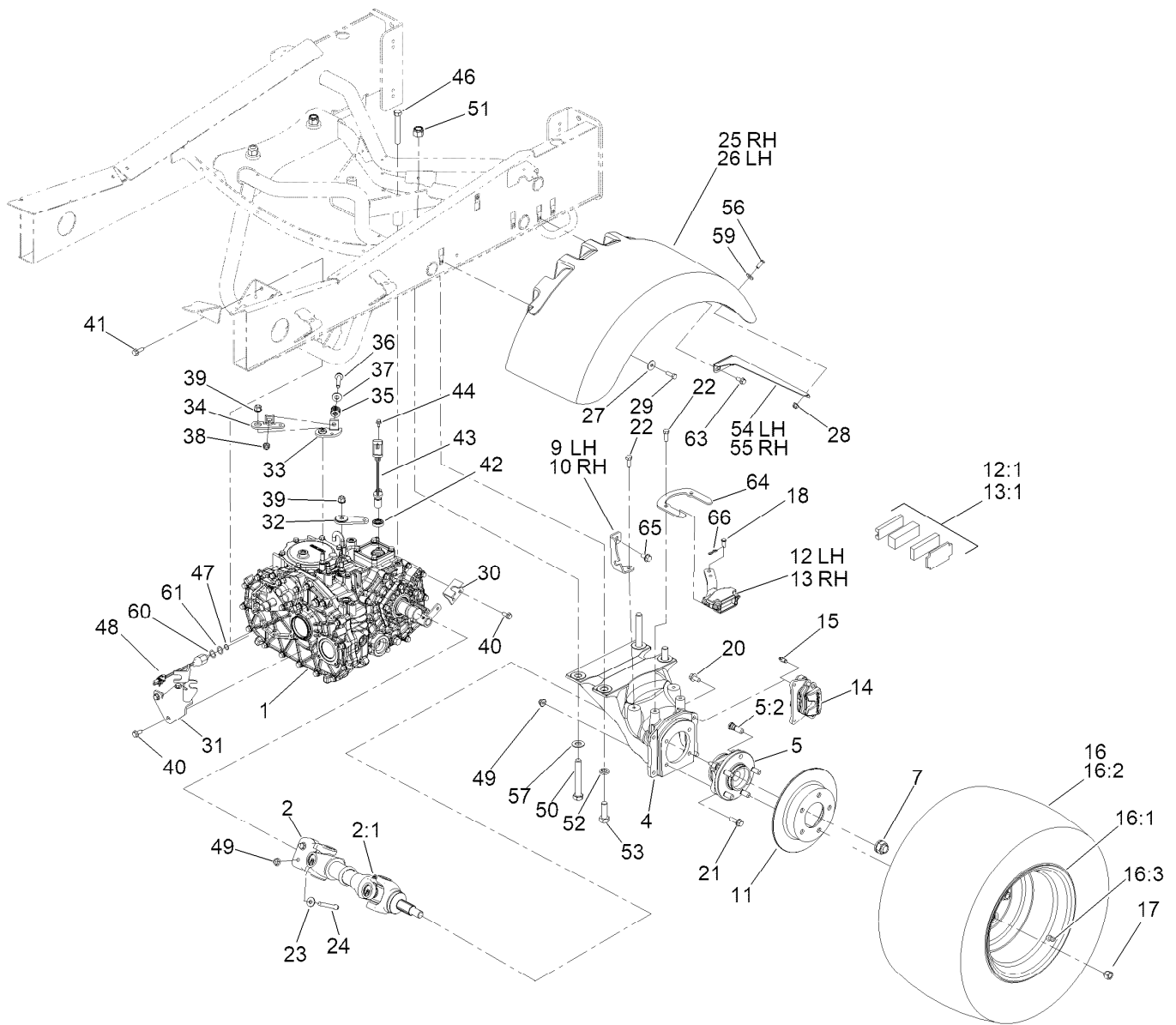
Frame Assembly



Frame Assembly (continued)

<i>Ref.</i>	<i>Part Number</i>	<i>Qty.</i>	<i>Description</i>	<i>Ref.</i>	<i>Part Number</i>	<i>Qty.</i>	<i>Description</i>
2	121-6501-03	1	Frame ASM	11	323-13	2	Screw-HH
2:1		1	Frame ●	12	125-0871-03	1	Cover-Hose
2:1:62	104-0015	2	Bushing-Flange	13	3234-47	2	Screw-HHF
3	163-2919-03	1	Platform ASM [black]	14	240-3	2	Grommet-Rubber
4	94-2413	19	Nut-U	15	121-3397	2	Plug-Grommet
5	106-2421	1	Bracket-Mount, Cable	16	125-8094	6	Pad-Tank
6	137-3061	2	Bolt-CARR	17	106-9206	4	Decal-Torque, Wheel
7	119-4041	2	Nut-HF	18	125-6694	3	Decal-Tie Down
8	119-4042	6	Nut-HF, NI	24	133-8062	1	Decal-Spark Arrestor
9	3234-42	4	Screw-HHF	25	115-7721	2	Nut-Clip, U
10	3256-24	2	Washer-Plain				

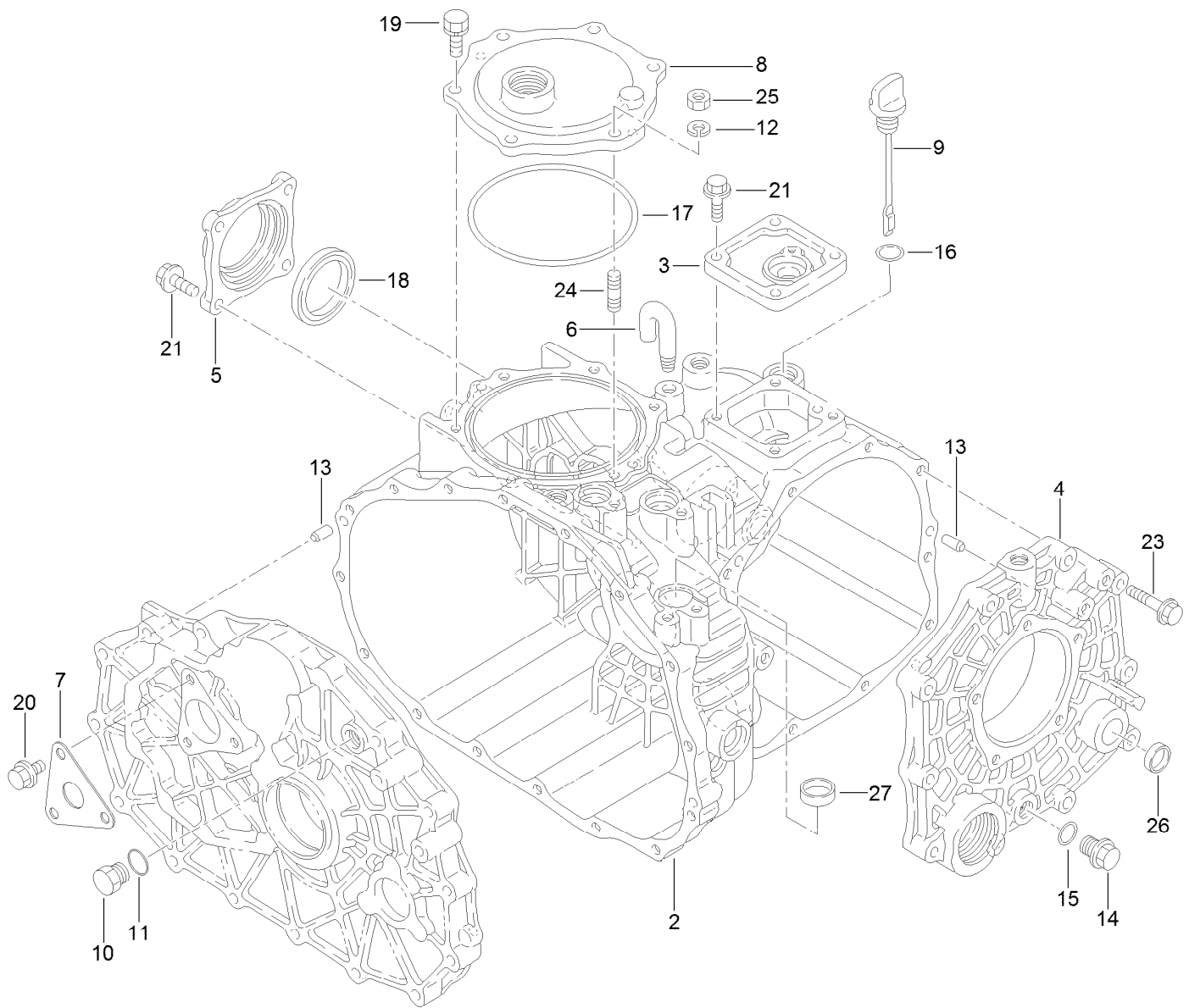
● Not serviced separately



Rear Drive Assembly (continued)

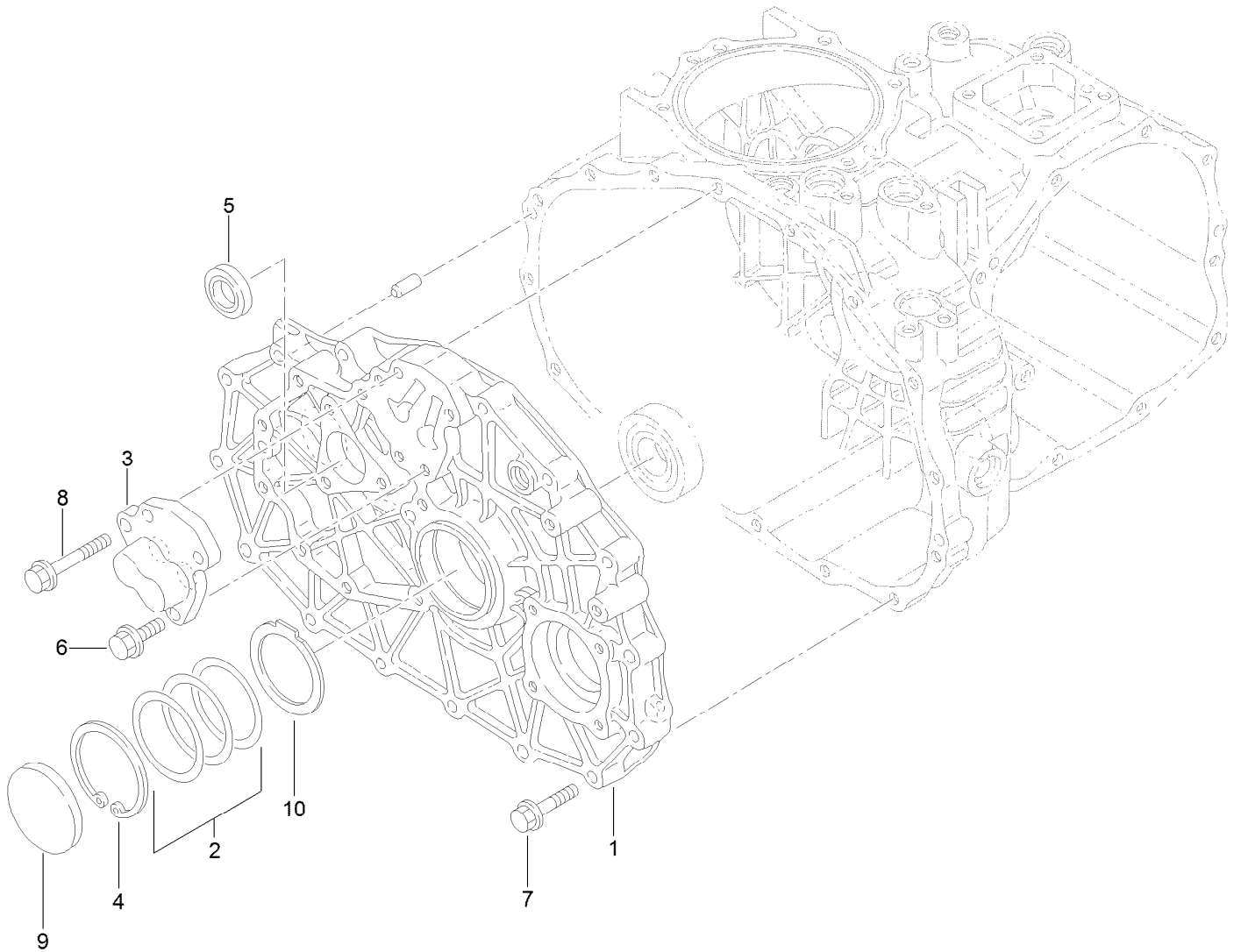
Ref.	Part Number	Qty.	Description	Ref.	Part Number	Qty.	Description
34	87-8250	1	Plate-Arm, Shift	50	327-29	4	Screw-HH
35	87-6910	1	Spring-Compression	51	127-3958	4	Nut-Lock, NI
36	66-9302	1	Screw-HHF Lock	52	3253-23	4	Washer-Lock
37	3256-4	1	Washer-Flat	53	327-5	4	Screw-HH
38	3290-357	1	Nut-HSF	54	125-7959-03	1	Bracket-Fender
39	103-9511	2	Nut-Flg	55	125-7960-03	1	Bracket-Fender
40	98-7977	5	Screw-HHF	56	3274-32	2	Screw-HSBH
41	33104-025	4	Screw-HHF	57	3256-27	4	Washer-Flat
42	92-3735	1	Seal-Sensor, Oil	59	3256-71	2	Washer-Flat
43	120-4800	1	Sensor-Geartooth	60	125-8106	3	Shim
44	33103-012	1	Screw-HHF	61	125-8107	3	Shim
46	33116-090	2	Screw-HH	63	3234-47	4	Screw-HHF
47	237-30	1	O-Ring	64	131-4257-0P	2	Support-Park Brake
48	161-5403	1	Switch-Plunger, Off-(On)	65	110-9380	2	Screw-HWH
49	119-4042	12	Nut-HF, NI	66	119-1415	2	Pin-Cotter, Locking

● Not serviced separately



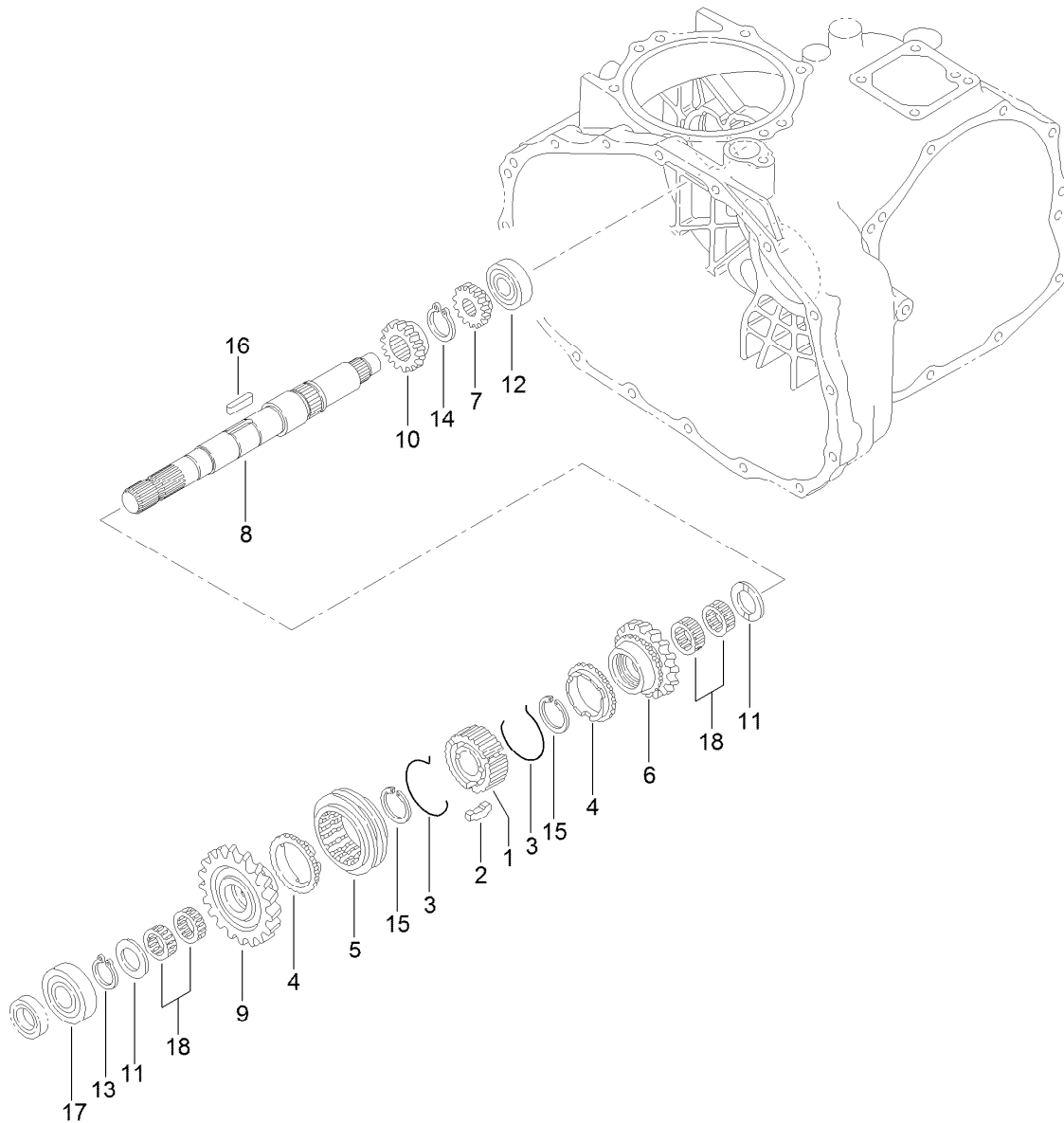
Case Assembly Transaxle Assembly No. 120-7610

<i>Ref.</i>	<i>Part Number</i>	<i>Qty.</i>	<i>Description</i>	<i>Ref.</i>	<i>Part Number</i>	<i>Qty.</i>	<i>Description</i>
2	92-0651	1	Case-Transmission	15	92-0787	1	O-Ring
3	92-3736	1	Cover ASM	16	92-0788	1	O-Ring
4	92-0653	1	Cover-Side	17	92-0790	1	O-Ring
5	92-0655	1	Cover-Seal, Axle	18	92-0793	1	Seal-Oil
6	127-3925	1	Breather	19	92-0796	5	Bolt
7	100-8594	1	Cover-Shaft, Input	20	100-6928	3	Bolt
8	100-8595	1	Cover-PTO	21	33114-025	8	Screw-HH
9	92-0662	1	Cap-Oil	23	33114-040	10	Screw-HH
10	100-6924	1	Plug	24	92-0804	1	Stud
11	100-6925	1	Packing	25	48-7930	1	Nut
12	92-0762	1	Washer-Spring	26	100-6926	1	Cap-Sealing
13	92-0765	4	Pin-Parallel	27	100-6927	1	Cap-Sealing
14	92-0773	1	Plug-Drain				



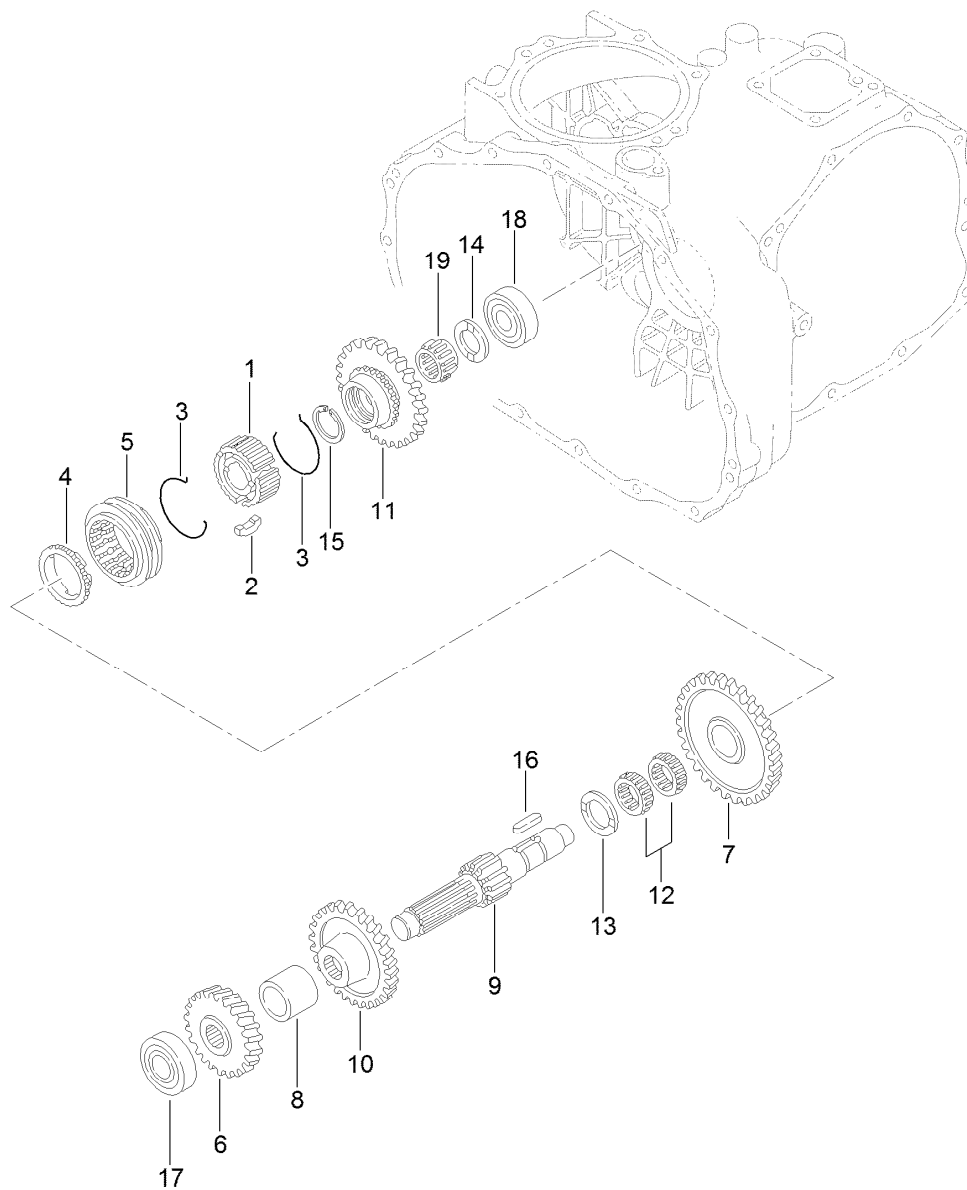
Center Plate Assembly Transaxle Assembly No. 120-7610

<i>Ref.</i>	<i>Part Number</i>	<i>Qty.</i>	<i>Description</i>
1	100-4461	1	Plate-Center
2	100-4460	1	Shim-Set
3	92-0706	1	Shaft-Fork
4	92-0759	1	Ring-Snap
5	92-0791	1	Seal-Oil
6	33114-025	3	Screw-HH
7	33114-040	15	Screw-HH
8	48-7560	1	Bolt-HH
9	92-0807	1	Cap-Sealing
10	100-4465	1	Shim (W/Tab)



Main Shaft Assembly Transaxle Assembly No. 120-7610

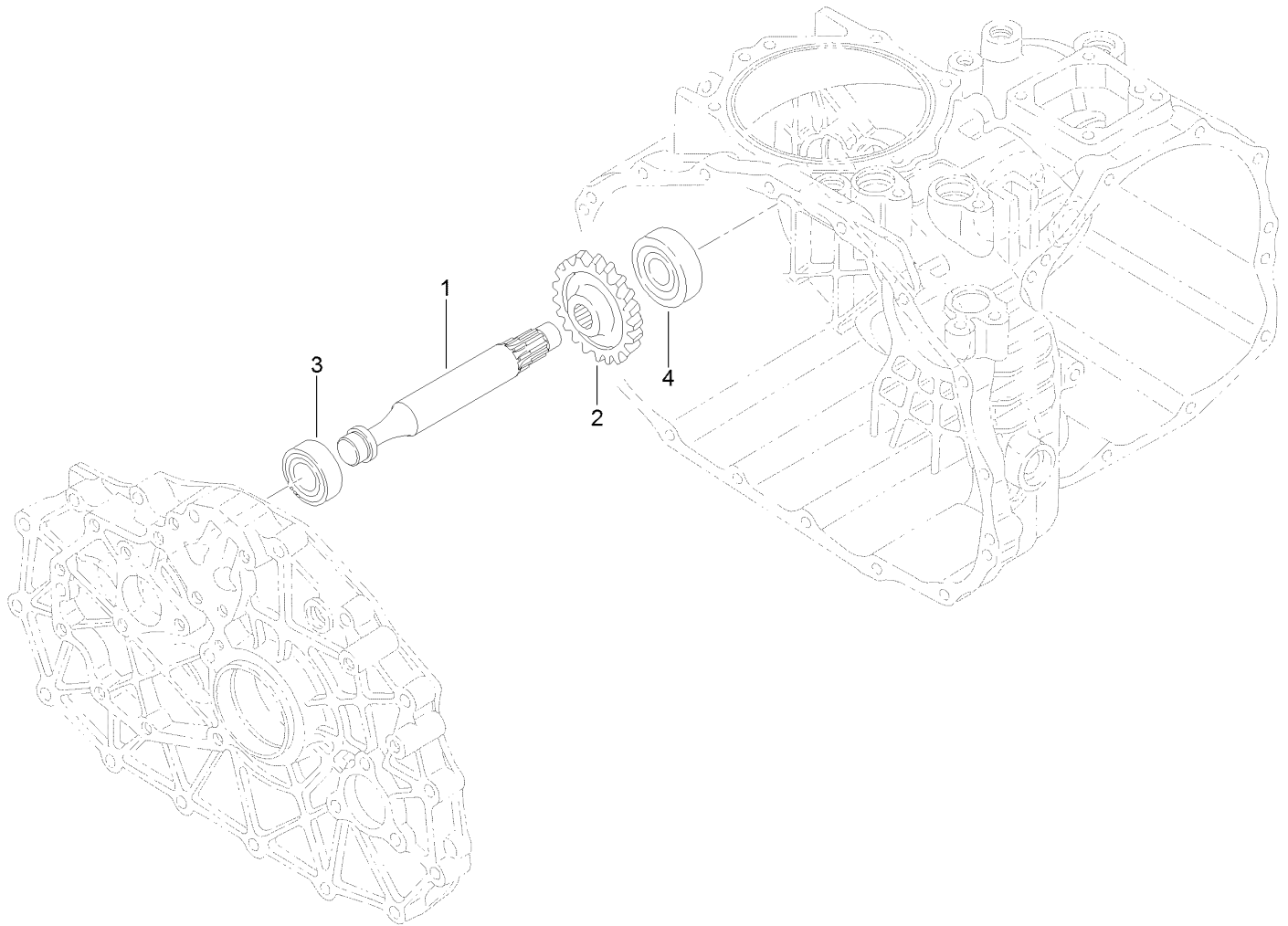
<i>Ref.</i>	<i>Part Number</i>	<i>Qty.</i>	<i>Description</i>	<i>Ref.</i>	<i>Part Number</i>	<i>Qty.</i>	<i>Description</i>
1	92-0664	1	Hub-Synchro	10	100-8598	1	Gear-Main, 20 Tooth
2	92-0665	3	Key-Synchro	11	92-0740	2	Washer-Thrust
3	92-0666	2	Spring-Synchro	12	92-0650	1	Bearing
4	92-0667	2	Ring-Synchro	13	92-0753	1	Ring-Snap
5	92-0668	1	Shifter-Synchro	14	92-0754	1	Ring-Snap
6	127-3926	1	Gear-Main, 23T	15	92-0763	2	Ring-Snap
7	92-0673	1	Gear-Main, 14 Tooth	16	92-0772	1	Key
8	100-8596	1	Shaft-Main	17	251-8	1	Bearing-Ball
9	108-3694	1	Gear-Main, 36T	18	92-0781	4	Bearing-Needle



Reduction Shaft Assembly Transaxle Assembly No. 120-7610

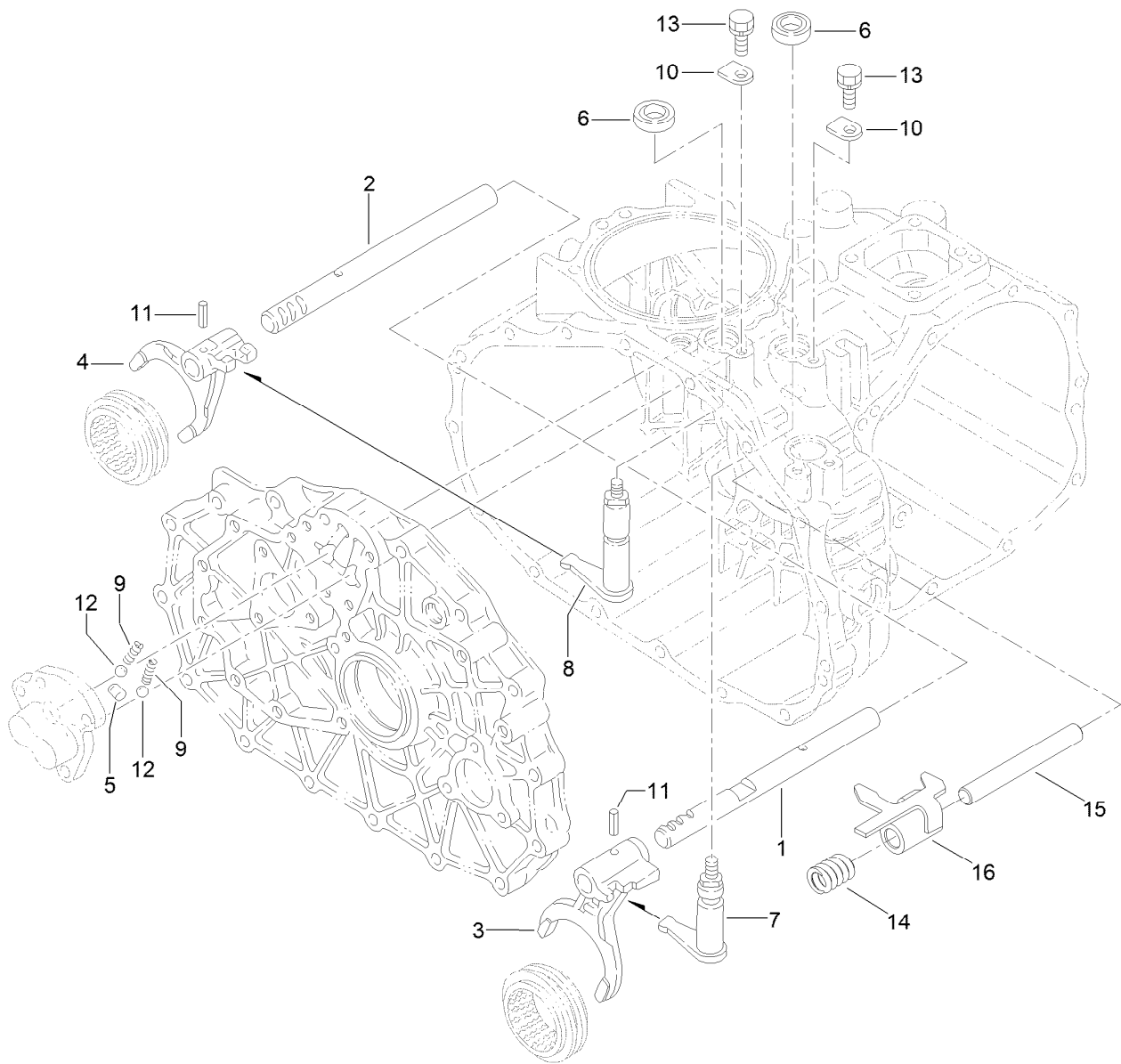
<i>Ref.</i>	<i>Part Number</i>	<i>Qty.</i>	<i>Description</i>
1	92-0664	1	Hub-Synchro
2	92-0665	3	Key-Synchro
3	92-0666	2	Spring-Synchro
4	92-0667	1	Ring-Synchro
5	92-0668	1	Shifter-Synchro
6	100-8599	1	Gear-Red, 25 Tooth
7	108-3697	1	Gear-Reduction, 47T
8	100-8601	1	Collar
9	127-3927	1	Shaft-Reduction
10	127-3928	1	Gear-Reduction, 31T

<i>Ref.</i>	<i>Part Number</i>	<i>Qty.</i>	<i>Description</i>
11	92-0819	1	Gear-Reduction, 40 Tooth
12	92-0681	2	Bearing-Needle
13	92-0682	1	Washer-Thrust
14	92-0740	1	Washer-Thrust
15	92-0763	1	Ring-Snap
16	92-0772	1	Key
17	105-7985	1	Bearing
18	92-0778	1	Bearing
19	92-0782	1	Bearing-Needle



Reverse Shaft Assembly Transaxle Assembly No. 120-7610

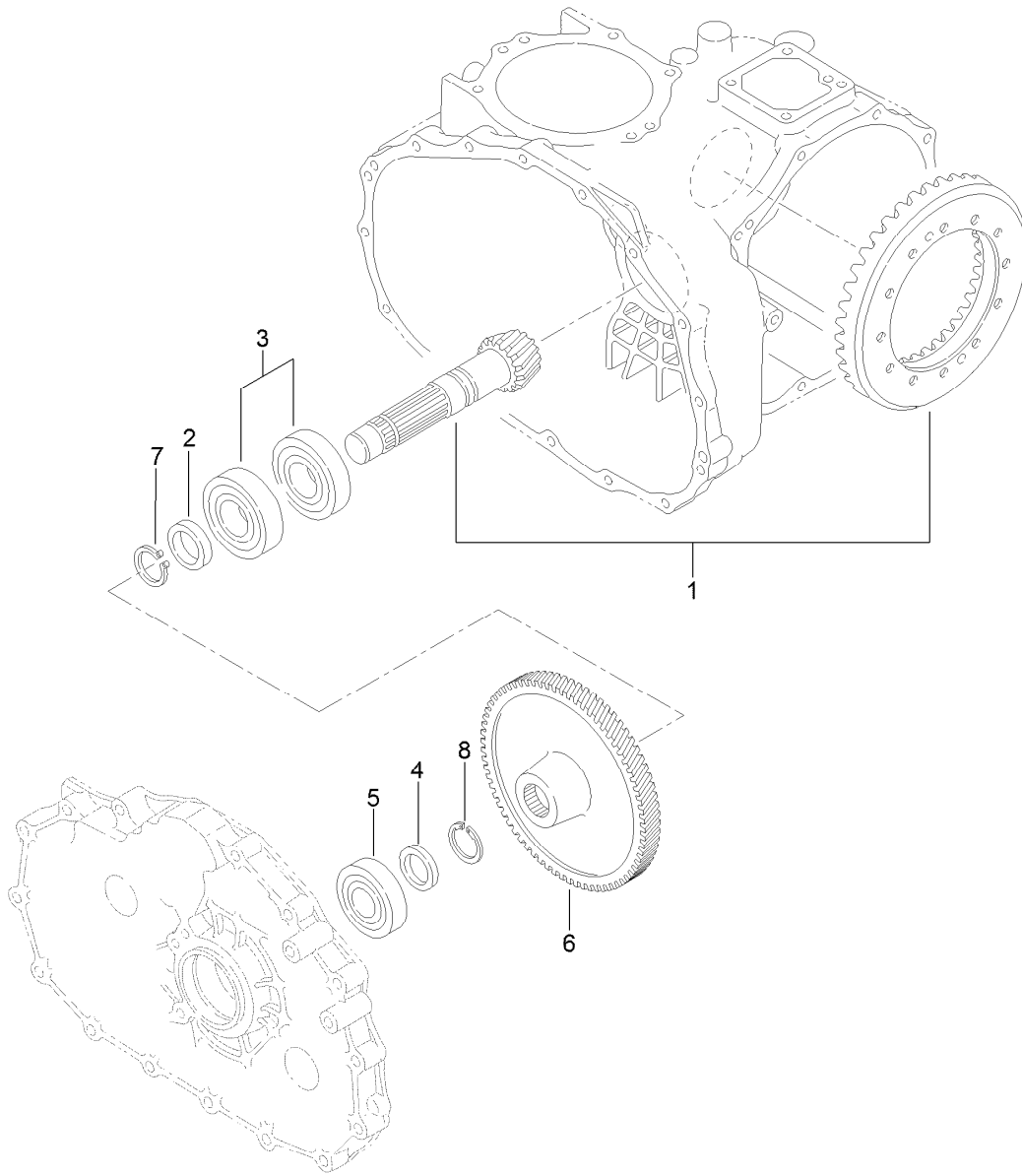
<i>Ref.</i>	<i>Part Number</i>	<i>Qty.</i>	<i>Description</i>
1	100-8602	1	Shaft-Idler, Reverse
2	92-0684	1	Gear-Reverse, 33 Tooth
3	251-346	1	Bearing-Ball
4	92-0778	1	Bearing



Main Shift Assembly Transaxle Assembly No. 120-7610

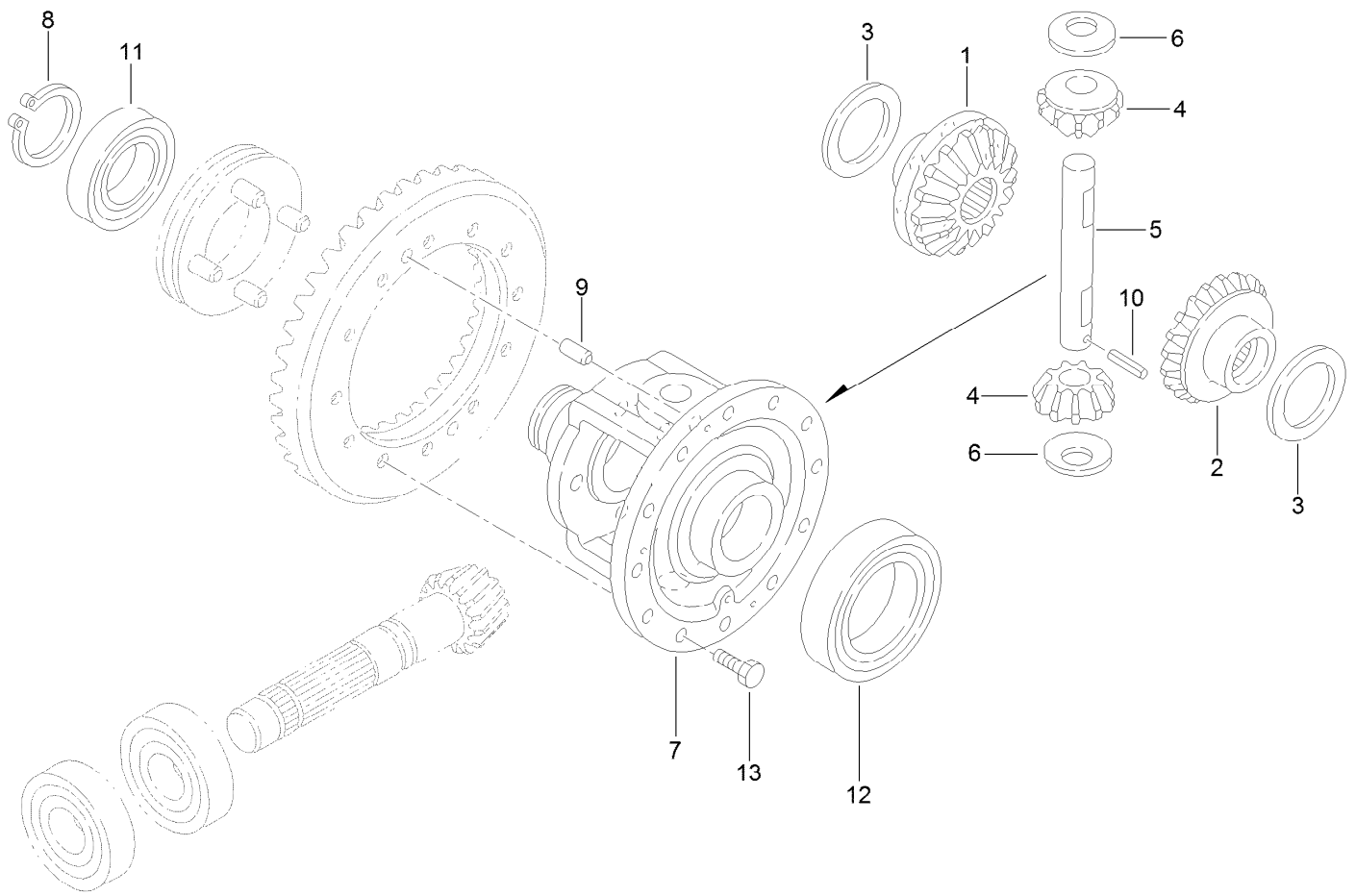
<i>Ref.</i>	<i>Part Number</i>	<i>Qty.</i>	<i>Description</i>	<i>Ref.</i>	<i>Part Number</i>	<i>Qty.</i>	<i>Description</i>
1	92-0698	1	Shaft-Fork	9	92-0731	2	Spring
2	92-0699	1	Shaft-Fork	10	92-0732	2	Plate-Keeper
3	92-0700	1	Fork-Shift	11	92-0769	2	Pin-Roll
4	92-0701	1	Fork-Shift	12	92-0785	2	Ball-Steel
5	92-0705	1	Lock-Spindle	13	33114-016	2	Screw-HH
6	92-0729	2	Seal-Oil	14	127-3931	1	Spring-Switch ●
7	127-3929	1	Arm-Shift	15	127-3932	1	Shaft-Switch ●
8	127-3930	1	Arm-Shift	16	127-3933	1	Plate-Switch ●

● Not illustrated



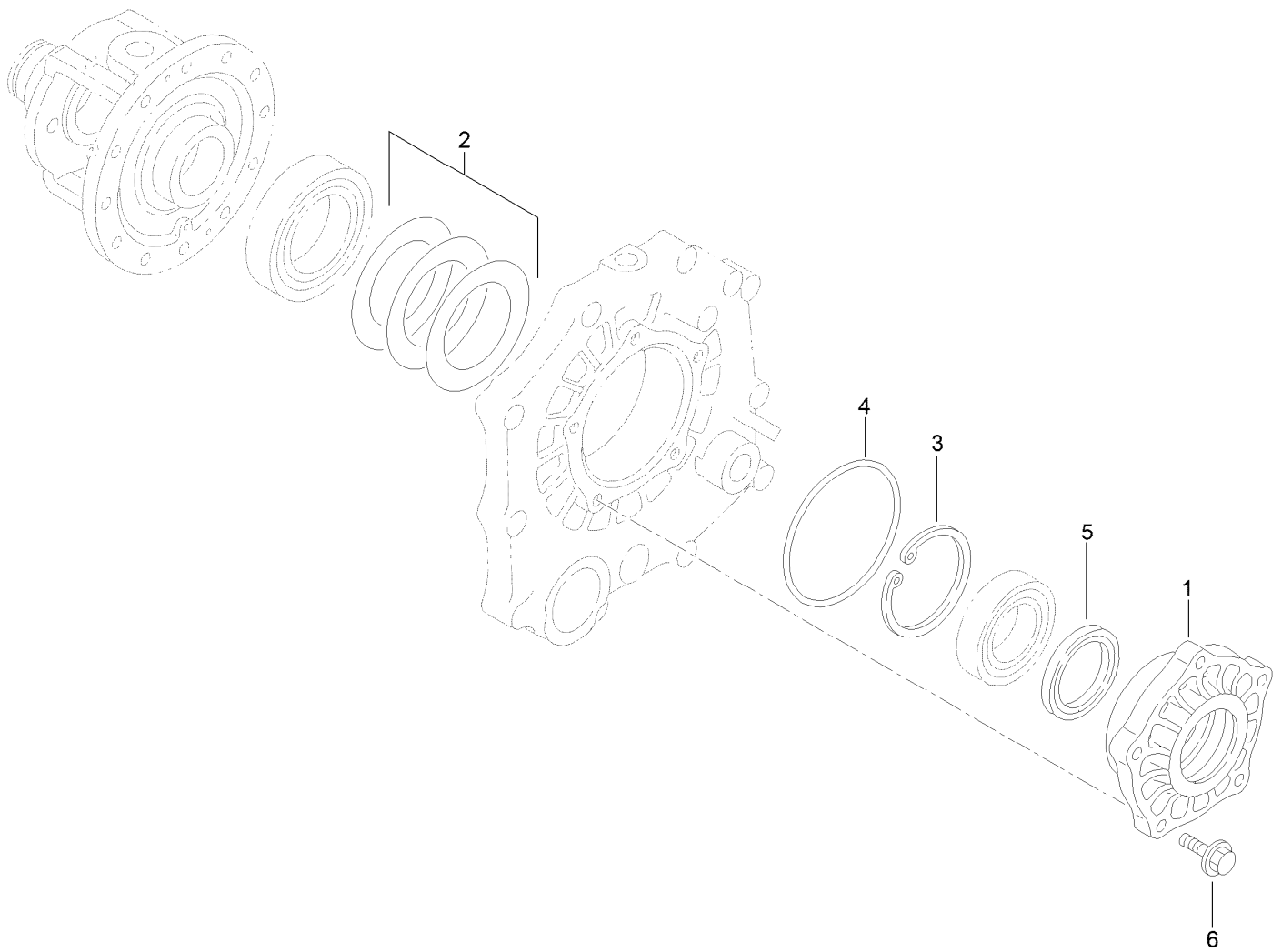
Counter Shaft Assembly Transaxle Assembly No. 120-7610

<i>Ref.</i>	<i>Part Number</i>	<i>Qty.</i>	<i>Description</i>
1	92-0710	1	Gear-Ring
2	92-0713	1	Collar
3	92-0714	2	Bearing
4	92-0716	1	Collar
5	92-0712	1	Bearing-Ball
6	100-8603	1	Gear-Count
7	92-0755	1	Ring-Snap
8	92-0764	1	Ring-Snap



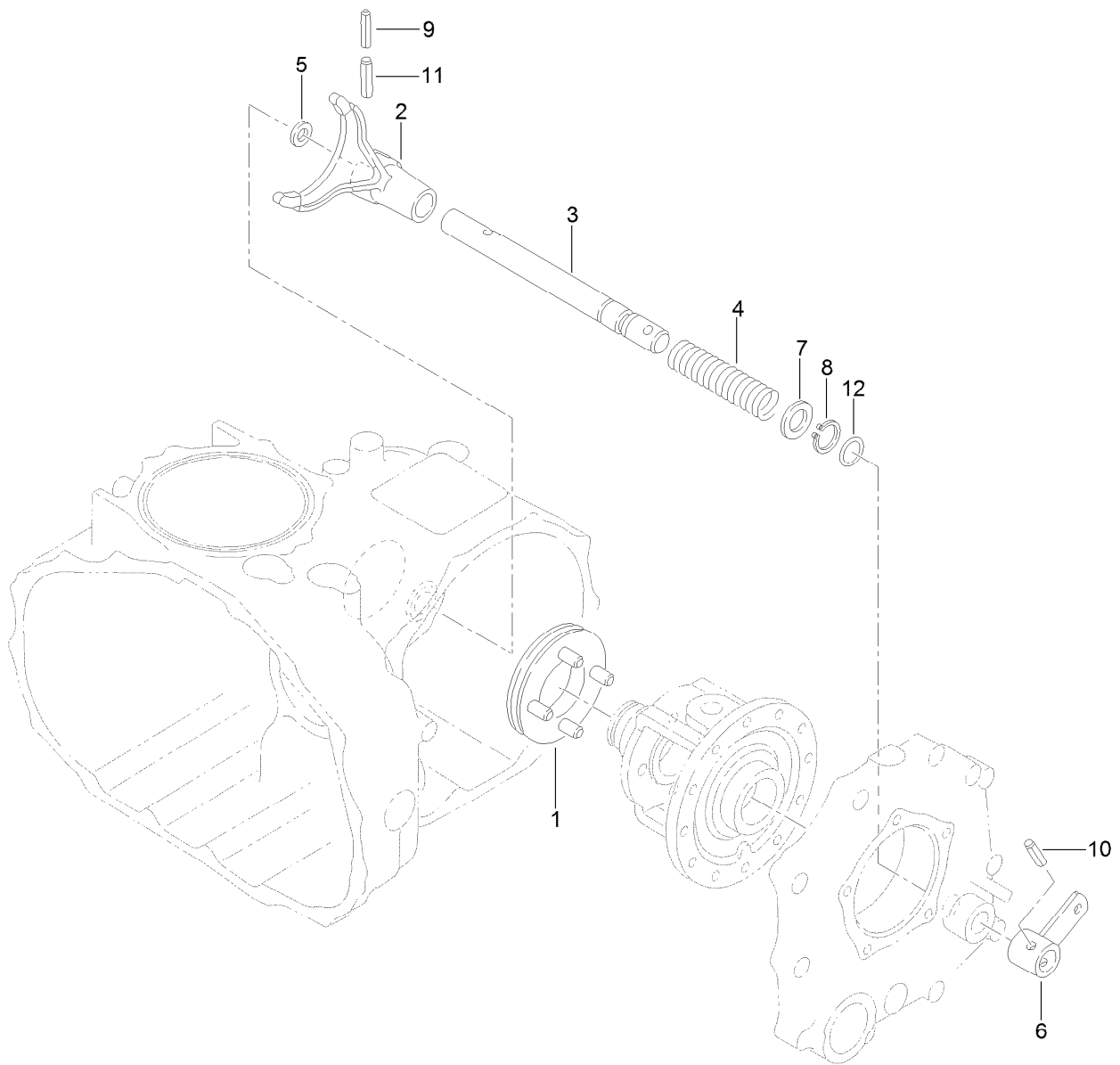
Differential Gear Assembly Transaxle Assembly No. 120-7610

<i>Ref.</i>	<i>Part Number</i>	<i>Qty.</i>	<i>Description</i>
1	92-0745	1	Gear-Side, LH
2	92-0746	1	Gear-Side, RH
3	92-0747	2	Side-Gear, Left Inner
4	92-0748	2	Pinion-Differential
5	92-0749	1	Shaft-Pinion
6	92-0750	2	Washer
7	92-0720	1	Case-Differential
8	92-0756	1	Ring-Snap
9	92-0765	2	Pin-Parallel
10	92-0768	1	Pin-Roll, Spring
11	92-0775	1	Bearing
12	92-0776	1	Bearing
13	92-0803	12	Bolt



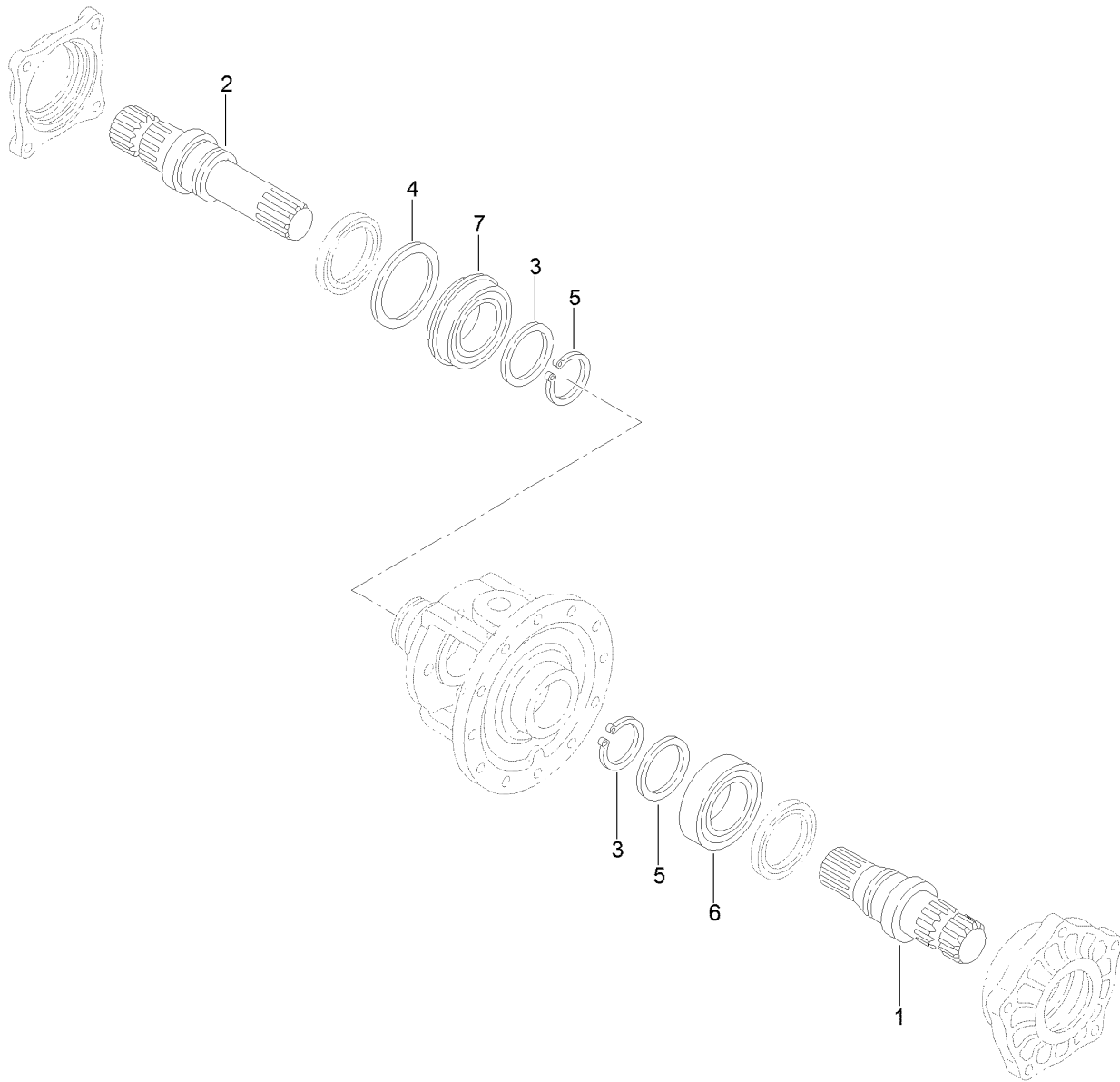
Differential Carrier Assembly Transaxle Assembly No. 120-7610

<i>Ref.</i>	<i>Part Number</i>	<i>Qty.</i>	<i>Description</i>
1	92-0654	1	Carrier-Differential
2	92-0809	1	Set-Shim
3	92-0760	1	Ring-Snap
4	92-0789	1	O-Ring
5	92-0793	1	Seal-Oil
6	48-7730	5	Screw-Cap, HH



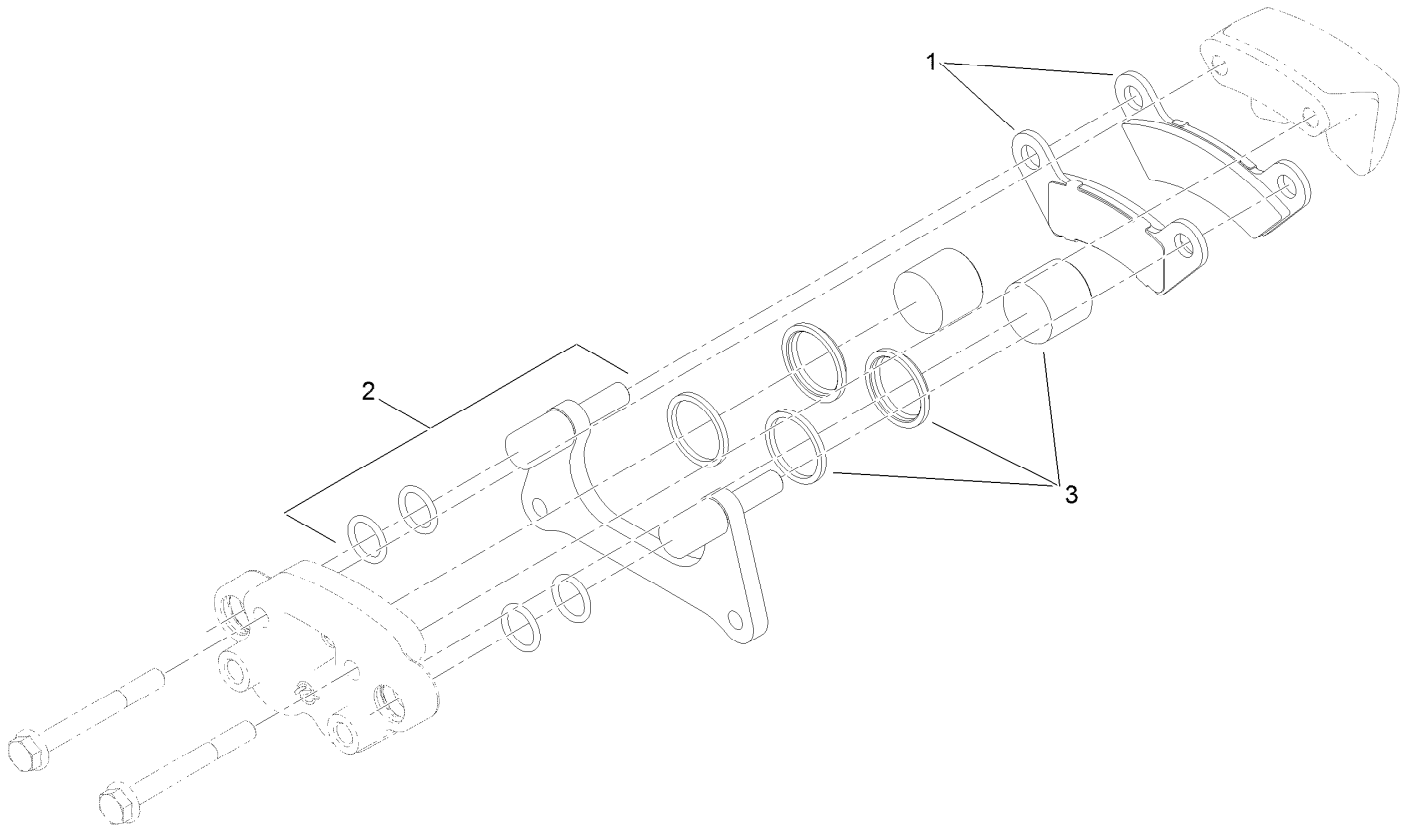
Differential Lock Assembly Transaxle Assembly No. 120-7610

<i>Ref.</i>	<i>Part Number</i>	<i>Qty.</i>	<i>Description</i>
1	92-0730	1	Slider-Differential, Lock
2	92-0721	1	Fork-Lock, Differential
3	92-0722	1	Shaft-Fork, Lock Differential
4	92-0723	1	Spring-Lock, Differential
5	92-0744	1	Washer
6	92-0724	1	Arm-Lock, Differential
7	92-0733	1	Washer
8	92-0753	1	Ring-Snap
9	92-0768	1	Pin-Roll, Spring
10	92-0770	1	Pin-Roll, Spring
11	92-0771	1	Pin-Roll, Spring
12	92-0787	1	O-Ring



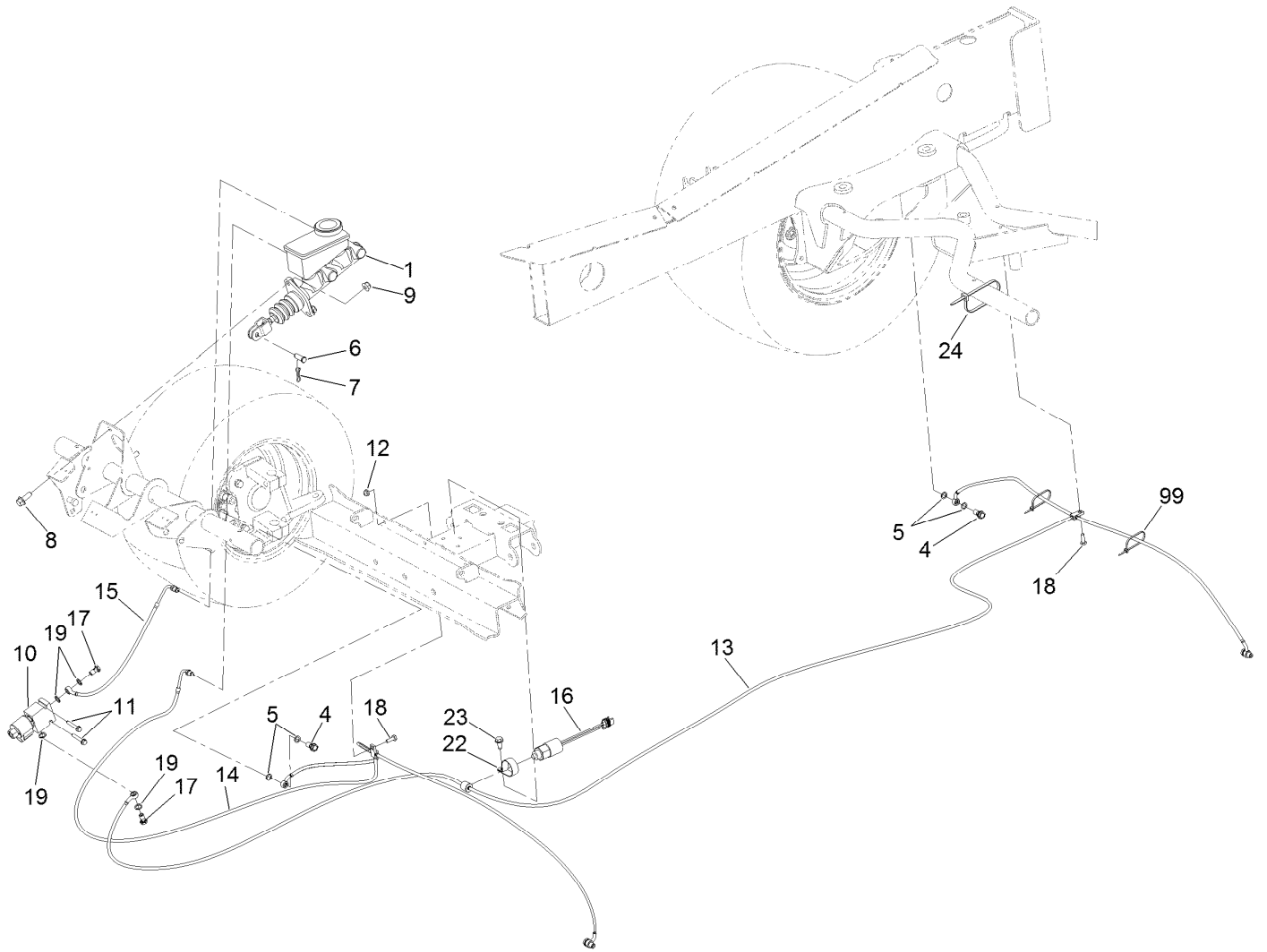
Axle Shaft Assembly Transaxle Assembly No. 120-7610

<i>Ref.</i>	<i>Part Number</i>	<i>Qty.</i>	<i>Description</i>
1	92-0725	1	Shaft-Axle, Left
2	92-0726	1	Shaft-Axle, Right
3	92-0727	2	Washer
4	92-0728	1	Washer
5	92-0756	2	Ring-Snap
6	92-0775	1	Bearing
7	92-0780	1	Bearing



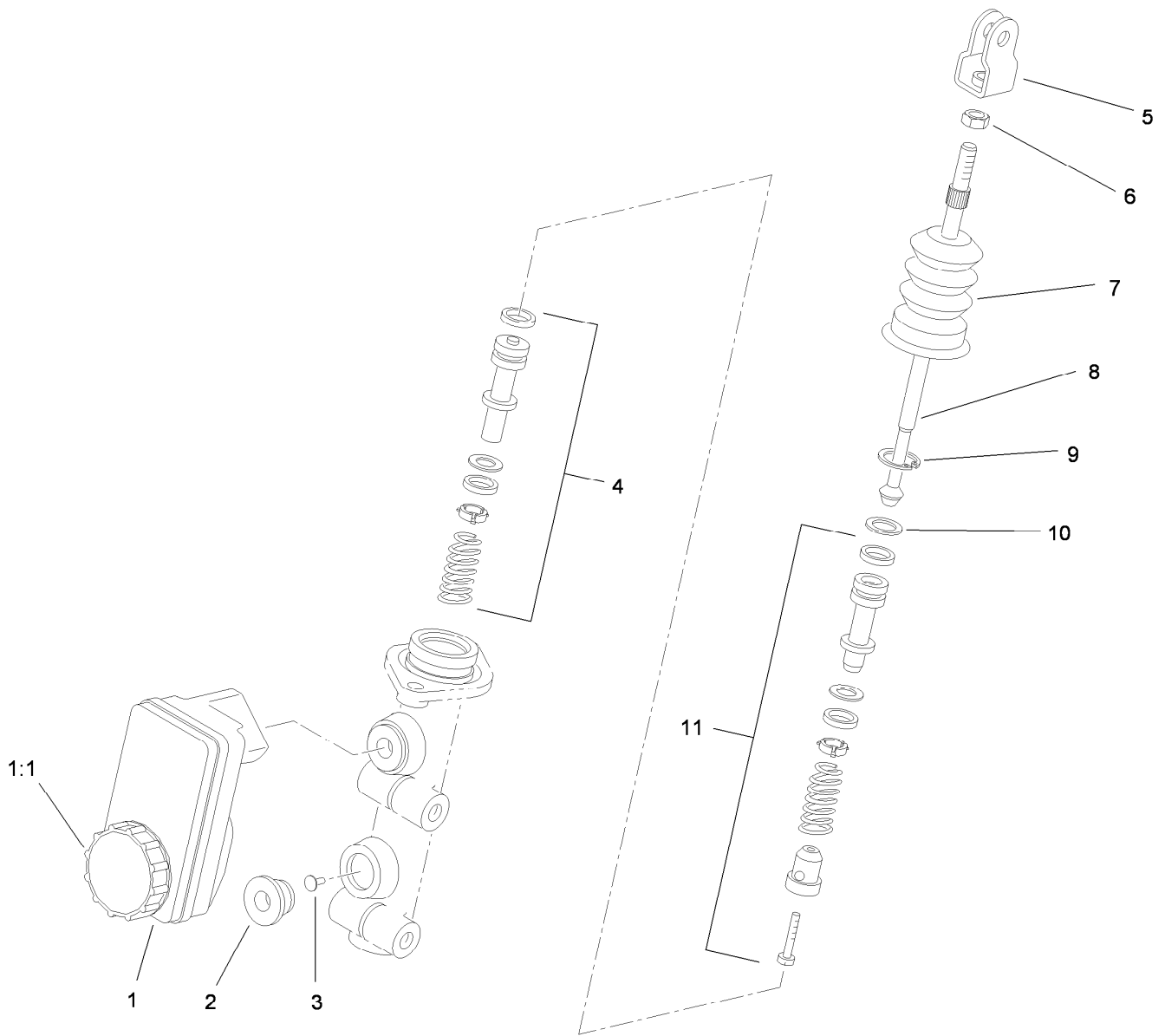
Brake Caliper Assembly No. 127-7424

<i>Ref.</i>	<i>Part Number</i>	<i>Qty.</i>	<i>Description</i>
1	140-2580	1	Brake Pad Service Kit (Front, Qty 4)
2	119-9511	1	Bracket Kit
3	133-0614	1	Piston Kit



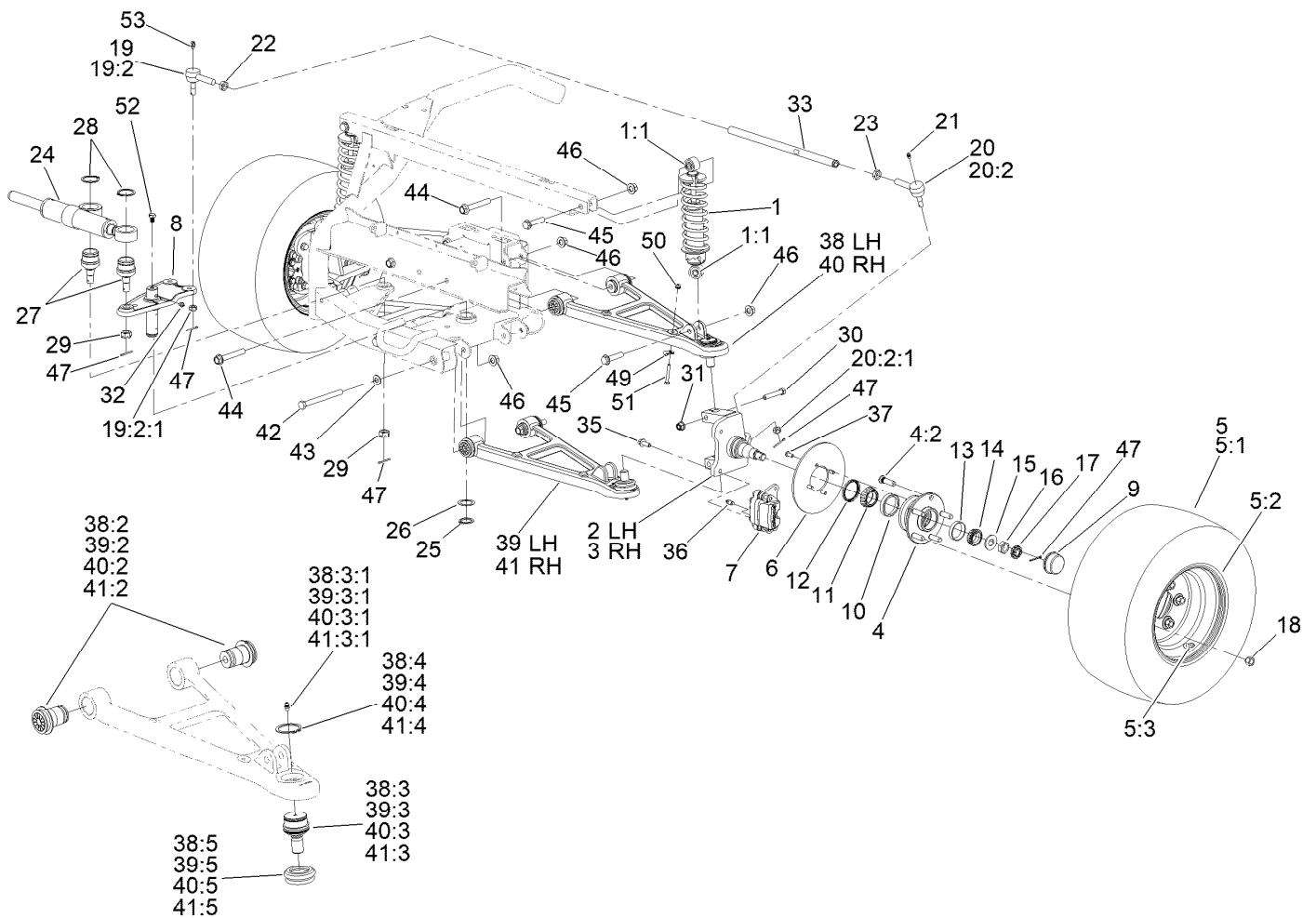
Brake Hydraulic Assembly

<i>Ref.</i>	<i>Part Number</i>	<i>Qty.</i>	<i>Description</i>	<i>Ref.</i>	<i>Part Number</i>	<i>Qty.</i>	<i>Description</i>
1	104-6782	1	Master Cylinder ASM	14	125-7999	1	Line-Brake, Front
4	120-4875	4	Bolt-Flange, Banjo	15	125-8000	1	Line-Brake, Solenoid
5	115-2341	8	Washer-Banjo	16	130-7148	1	Switch-Pressure
6	283-2	1	Pin-Clevis	17	125-8005	2	Bolt-Banjo
7	119-1415	1	Pin-Cotter, Locking	18	321-4	2	Screw-HH
8	3234-11	2	Screw-HHF	19	127-3914	4	Washer-Banjo
9	119-4042	2	Nut-HF, NI	22	2412-74	1	R-Clamp
10	125-0900	1	Valve-Brake Hold	23	32104-32	1	Screw-HWH
11	94-2691	2	Screw-HWH Taptite	24	3290-378	3	Tie-Cable
12	104-7201	1	Nut-HF, NI	99	3290-379	6	Tie-Cable
13	125-7998	1	Line-Brake, Rear				



Master Cylinder Assembly No. 104-6782

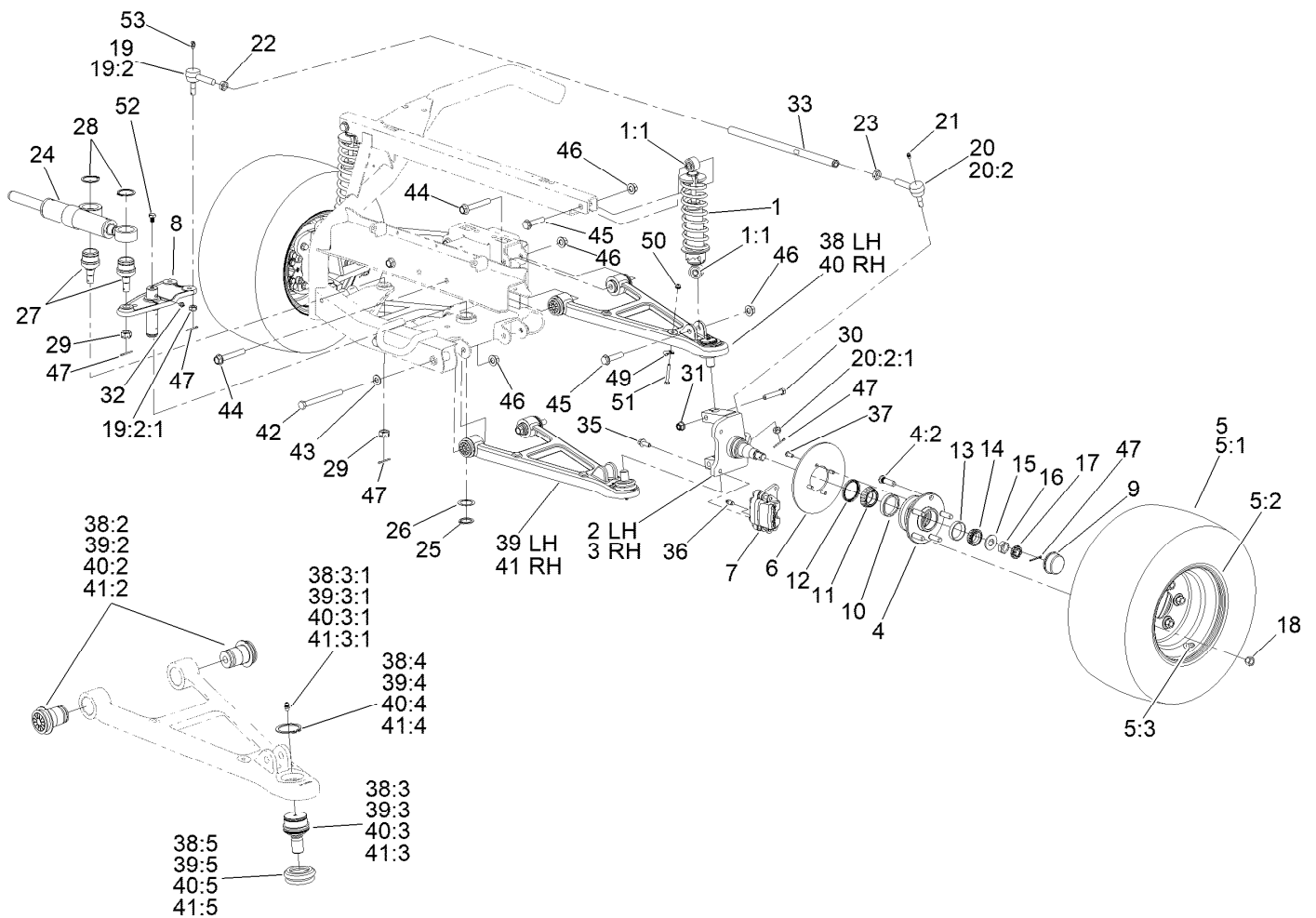
Ref.	Part Number	Qty.	Description
1	104-6845	1	Reservoir ASM
1:1	92-4112	1	Cap ASM
2	93-8971	2	Seal-Port, Flange
3	92-4103	1	Pin-Stop
4	92-4102	1	Secondary Piston ASM
5	92-4110	1	Clevis
6	21-0360	1	Nut-Hex
7	94-5209	1	Cover-Dust
8	94-5210	1	Rod-Push
9	92-4109	1	Ring-Snap
10	92-4108	1	Retainer-Washer
11	92-4101	1	Primary Piston ASM



Front Suspension Assembly

Ref.	Part Number	Qty.	Description	Ref.	Part Number	Qty.	Description
1	147-3170	2	Shock ASM - Coil Over	14	254-94	2	Bearing-Cone, Tapered
1:1	131-8574	2	Isolator-Shock	15	93-0309	2	Washer-Tab
2	147-3160	1	Spindle, LH	16	3220-7	2	Nut-Jam
3	147-4654	1	Spindle, RH	17	93-0307	2	Nut-Lock, Retainer
4	117-8071	2	Hub ASM	18	139-2564	10	Nut-Lug
4:2	10-6830	5	Stud-Type, Drive	19	112772-03	2	Joint-Ball, RH
5		2	Tire And Wheel ASM ●	19:2		1	Socket-Balljoint ●
5:1	120-7639	1	Tire	19:2:1	915031	1	Nut
5:2	163-2932	1	Wheel	20	112771-03	2	Joint-Ball, LH
5:3	232-27	1	Stem-Valve	20:2		1	Socket-Balljoint ●
6	136-6295	2	Rotor-Brake	20:2:1	915031	1	Nut
7	127-7424	2	Brake Caliper ASM	21	302-5	2	Fitting-Grease
8	137-1602	1	Pitman Arm (Mach)	22	3220-11	2	Nut-Jam
9	241-119	2	Cap-Dust	23	3218-21	2	Nut-Jam LH
10	254-107	2	Cup-Bearing, Tapered	24	125-0720	1	Cylinder-Hydraulic, Steering
11	254-106	2	Cone-Bearing, Tapered	25	32151-77	1	Ring-Retaining, External
12	108-7019	2	Seal-Shaft	26	76-2980	2	Washer-Thrust
13	254-72	2	Bearing-Cup, Tapered	27	117-9875	2	Joint-Ball

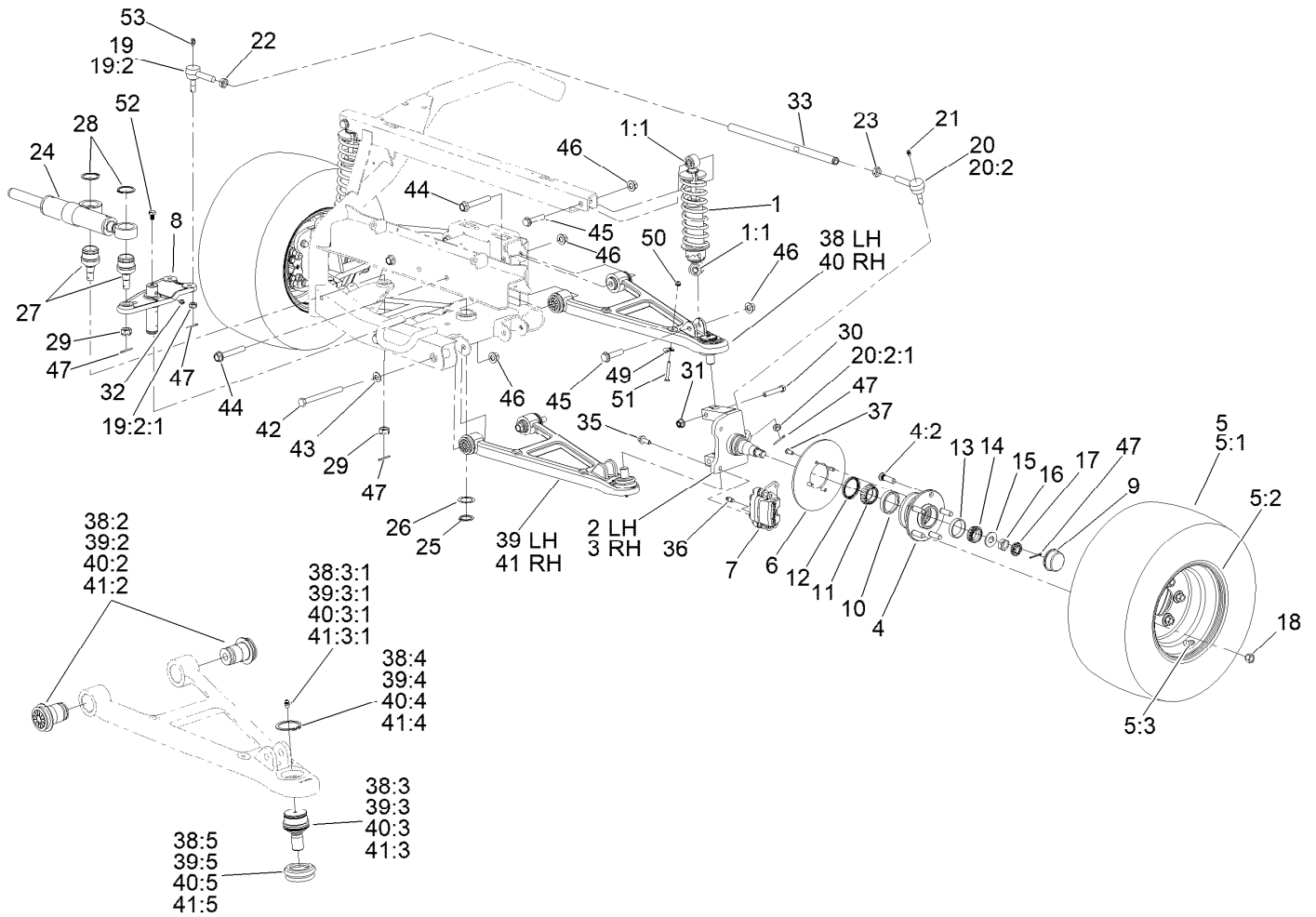
● Not serviced separately



Front Suspension Assembly (continued)

Ref.	Part Number	Qty.	Description	Ref.	Part Number	Qty.	Description
28	32151-104	2	Ring-Retaining, External	39:3:1	302-5	1	Fitting-Grease
29	32136-2	2	Nut-SHH	39:4	32151-104	1	Ring-Retaining, External
30	324-10	4	Screw-HH	39:5	87-2420	1	Seal-Joint, Ball
31	114-8417	4	Nut-HF, NI	40	125-8023	1	RH Upper Control Arm ASM
32	302-52	1	Fitting-Grease	40:2	87-1450	2	Bushing-Flange
33	115-7654	2	Tie Rod	40:3	115-2165	1	Ball Joint
35	3234-11	4	Screw-HHF	40:3:1	302-5	1	Fitting-Grease
36	119-9509	2	Screw-Bleed	40:4	32151-104	1	Ring-Retaining, External
37	3274-55	8	Screw-HSBH	40:5	87-2420	1	Seal-Joint, Ball
38	125-8021	1	LH Upper Control Arm ASM	41	125-8024	1	RH Lower Control Arm ASM
38:2	87-1450	2	Bushing-Flange	41:2	87-1450	2	Bushing-Flange
38:3	115-2165	1	Ball Joint	41:3	115-2165	1	Ball Joint
38:3:1	302-5	1	Fitting-Grease	41:3:1	302-5	1	Fitting-Grease
38:4	32151-104	1	Ring-Retaining, External	41:4	32151-104	1	Ring-Retaining, External
38:5	87-2420	1	Seal-Joint, Ball	41:5	87-2420	1	Seal-Joint, Ball
39	125-8022	1	LH Lower Control Arm ASM	42	325-22	2	Screw-HH
39:2	87-1450	2	Bushing-Flange	43	3256-26	2	Washer-Flat
39:3	115-2165	1	Ball Joint	44	114-8419	6	Screw-HHF

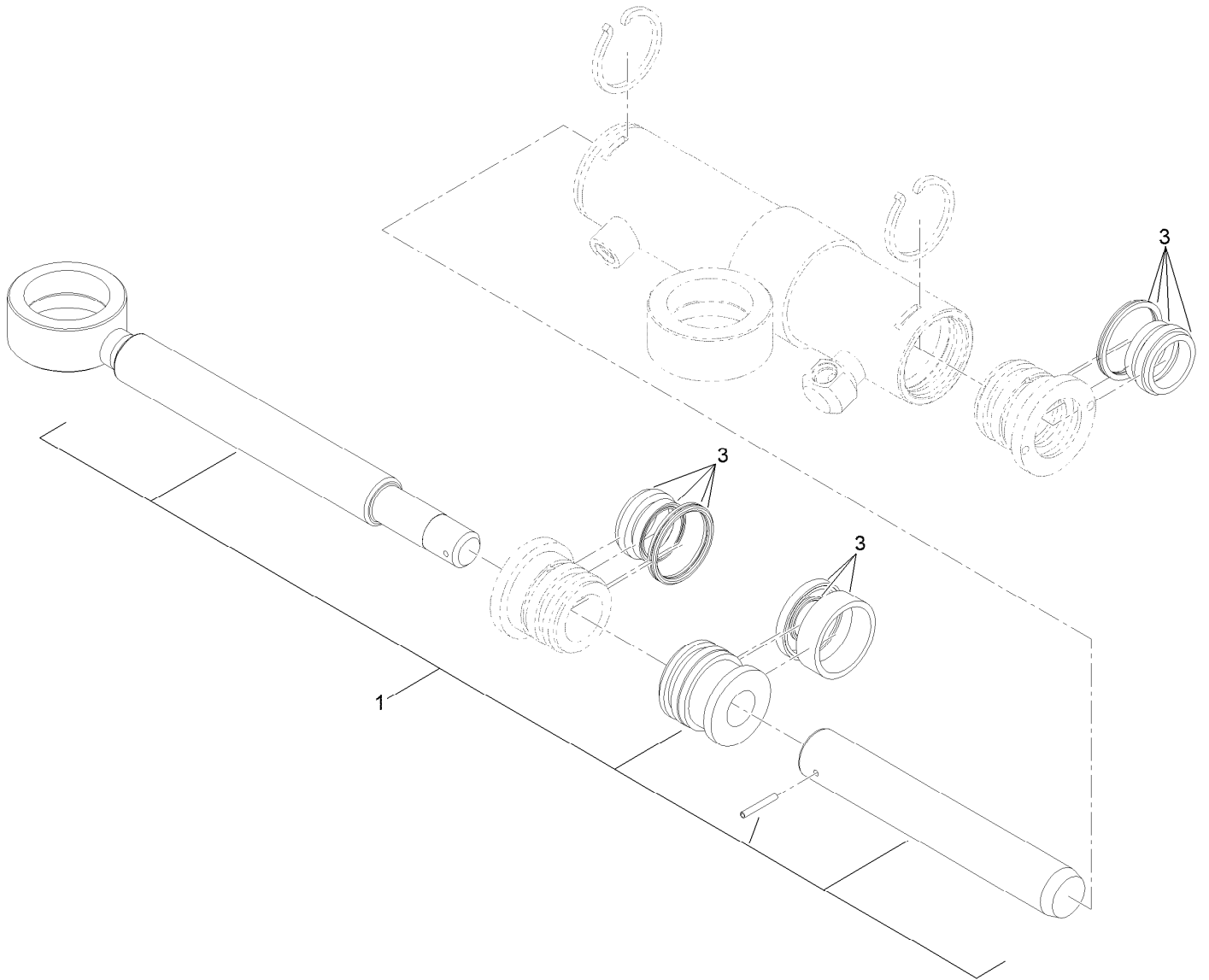
● Not serviced separately



Front Suspension Assembly (continued)

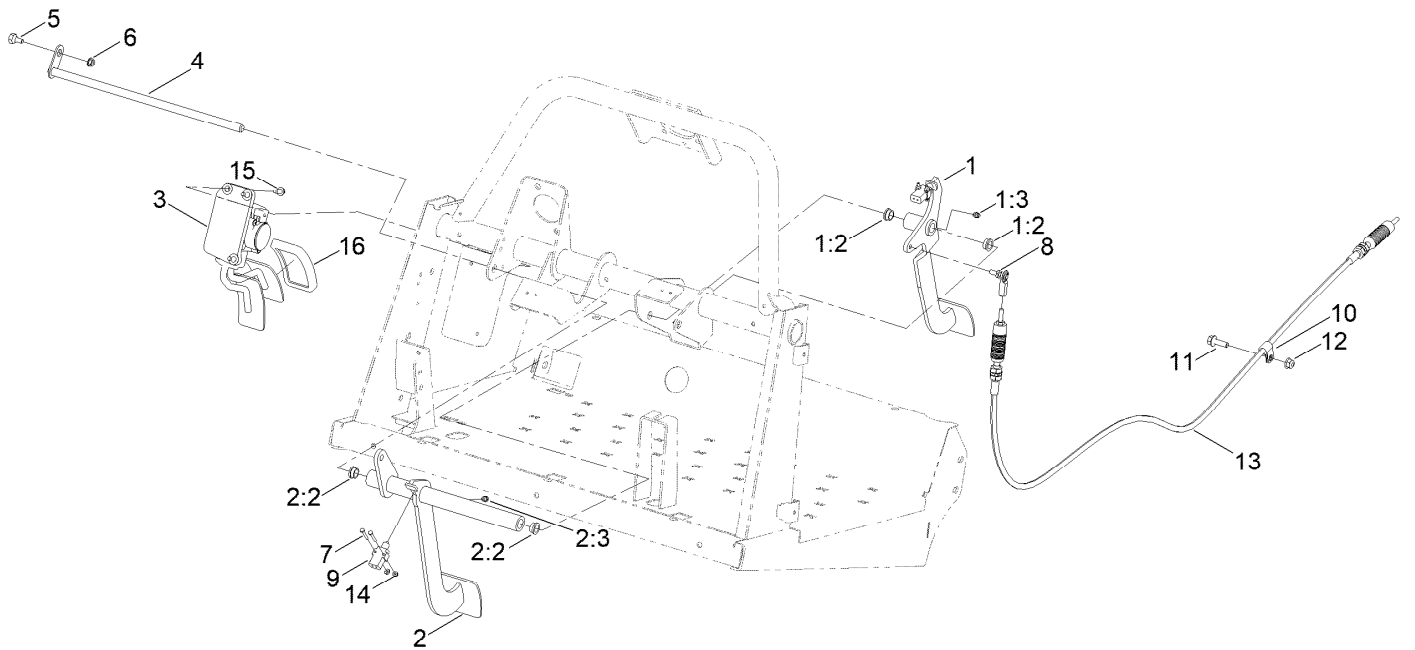
Ref.	Part Number	Qty.	Description	Ref.	Part Number	Qty.	Description
45	3234-46	4	Screw-HHF	50	104-7201	2	Nut-HF, NI
46	139-1689	12	Nut-HF	51	321-11	2	Screw-HH
47	3272-12	8	Pin-Cotter	52	302-60	2	Fitting-Grease
49	2412-72	2	Clip-Closed, Insulated	53	138-6279	1	Screw-Cap, HH

● Not serviced separately



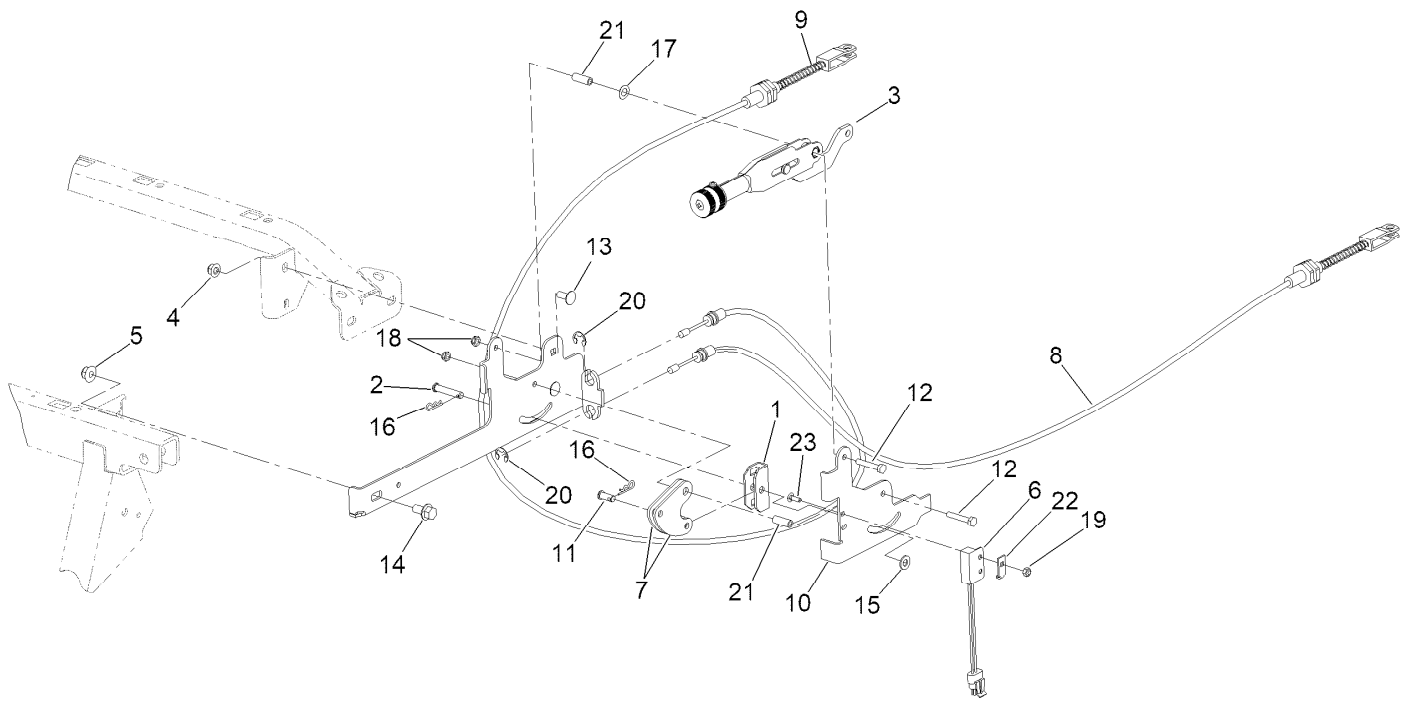
Hydraulic Cylinder Assembly No. 125-0720

<i>Ref.</i>	<i>Part Number</i>	<i>Qty.</i>	<i>Description</i>
1	125-0722	1	Rod-Cylinder
3	115-2160	1	Cylinder Repair Kit



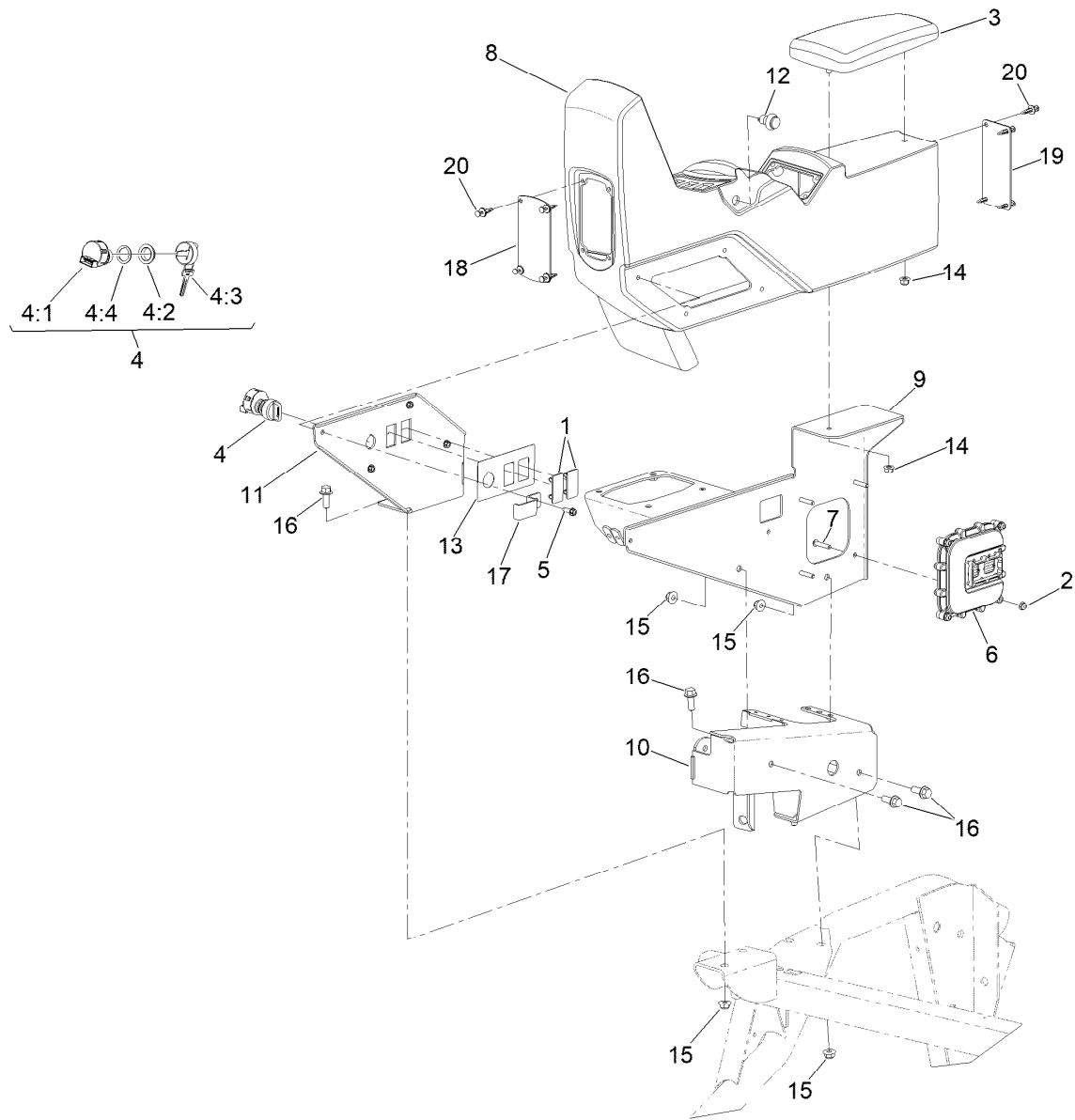
Pedal Assembly

<i>Ref.</i>	<i>Part Number</i>	<i>Qty.</i>	<i>Description</i>	<i>Ref.</i>	<i>Part Number</i>	<i>Qty.</i>	<i>Description</i>
1	147-3587	1	Pedal, Clutch ASM	7	32105-9	4	Screw-HH
1:2	256-156	2	Bushing-Flange	8	110-2554	1	Rod End-Spherical
1:3	302-5	1	Fitting-Grease	9	99-3410	2	Switch
2	147-3585	1	Pedal, Brake ASM	10	2412-93	1	Clamp-R
2:2	256-156	2	Bushing-Flange	11	3234-17	1	Screw-HHF
2:3	302-5	1	Fitting-Grease	12	119-4041	1	Nut-HF
3	144-2740	1	Pedal ASM-Accelerator	13	125-0957	1	Cable-Clutch
4	163-2930	1	Pivot ASM	14	3296-9	4	Nut-Hex
5	63-3410	1	Screw-Shoulder	15	49-2040	3	Screw-HWHTF
6	32128-33	1	Nut-HF	16	140-4572	1	Pedal Pad-Throttle



Parking Brake Lever and Cable Assembly

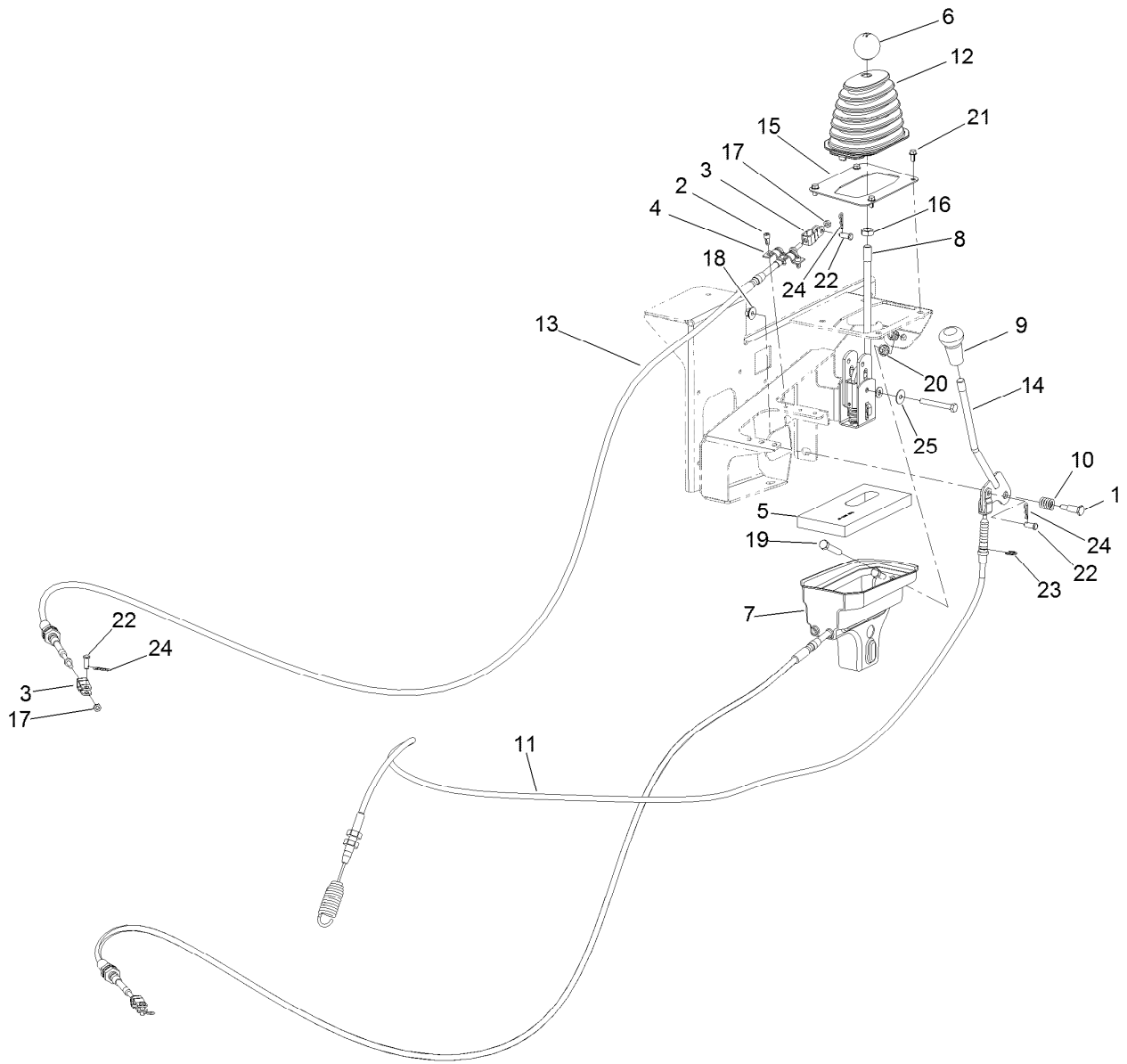
<i>Ref.</i>	<i>Part Number</i>	<i>Qty.</i>	<i>Description</i>	<i>Ref.</i>	<i>Part Number</i>	<i>Qty.</i>	<i>Description</i>
1	87-3480	1	Bracket-Equalizer, Cable	13	137-3061	2	Bolt-CARR
2	94-3829	1	Pin-Clevis	14	3234-1	1	Screw-HHF
3	87-2710	1	Lever-Brake	15	3256-23	1	Washer-Plain
4	119-4041	2	Nut-HF	16	3290-307	2	Pin-Cotter
5	119-4042	1	Nut-HF, NI	17	3290-477	1	Washer-Curved
6	105-0023	1	Switch-Proximity	18	3296-56	2	Nut-Lock, NI
7	106-7814	2	Bellcrank	19	3296-2	1	Nut-Lock, NI
8	136-2444	1	Cable-Parking Brake, LH	20	32120-47	2	Ring-Retaining, External
9	136-2445	1	Cable-Parking Brake, RH	21	114402	2	Spacer
10	136-2353-0P	1	Parking Brake ASM [primed]	22	100-4872	1	Plate-Switch, Neutral
11	283-62	1	Pin-Clevis	23	3229-34	1	Screw-CARR
12	321-9	2	Screw-HH				



Control Console Mount Assembly

<i>Ref.</i>	<i>Part Number</i>	<i>Qty.</i>	<i>Description</i>	<i>Ref.</i>	<i>Part Number</i>	<i>Qty.</i>	<i>Description</i>
1	99-7420	2	Plug-Hole	10	125-4188-0P	1	Shifter-Mount [primed]
2	104-7201	4	Nut-HF, NI	11	125-4191-03	1	Console Mount ASM
3	108-7602	1	Rest-Arm	12	125-7996	1	Switch-Pb, Momentary
4	110-2580	1	Switch-Key, Supervisor	13	125-8114	1	Decal-Control Panel
4:1		1	Switch-Key ●	14	119-4041	2	Nut-HF
4:2	108-8660	1	Nut-Mounting	15	119-4042	6	Nut-HF, NI
4:3	110-5221	1	Set-Key, Supervisor	16	3234-11	6	Screw-HHF
4:4	108-8659	1	Washer-Backup	17	136-2309	1	Bracket-Mount, Radio
5	49-2040	4	Screw-HWHTF	18	147-4692-03	1	Plate-Cover, Front
6	122-3374	1	Controller	19	147-4693-03	1	Plate-Cover, Rear
7	120-0834	4	Screw-HSBH	20	125-9622	8	Rivet-Blind
8	161-4147	1	Console-Armrest				
9	125-4108-0P	1	Console-Mount ASM [primed]				

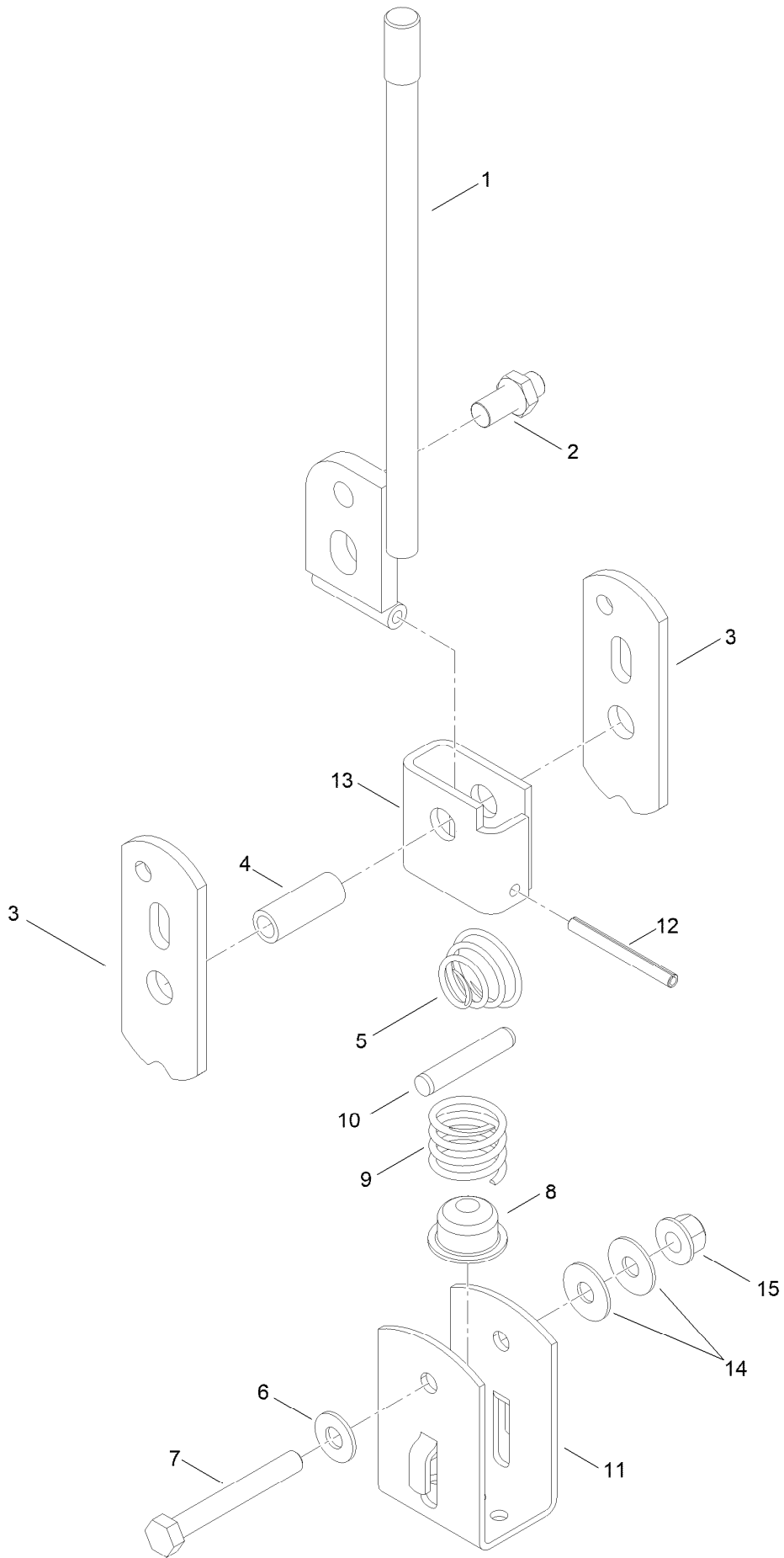
● Not serviced separately



Gear Shift and Drift Lock Control Assembly

<i>Ref.</i>	<i>Part Number</i>	<i>Qty.</i>	<i>Description</i>	<i>Ref.</i>	<i>Part Number</i>	<i>Qty.</i>	<i>Description</i>
1	63-2650	1	Screw-Shoulder	13	125-0880	2	Cable-Shift
2	65-5220	3	Screw-HSH, Thread Forming	14	125-0894	1	Handle-Difflock
3	87-2310	4	Clevis-Cable	15	125-8030-03	1	Cover-Shifter
4	87-4960	1	Clamp-Cable	16	3218-18	1	Nut-Jam
5	87-6570	1	Seal-Boot, Lower	17	3220-1	4	Nut-Jam
6	87-6720	1	Knob-Shift	18	32128-13	1	Nut-HF
7	106-2376	1	Boot-Shift, Lower	19	323-10	2	Screw-HH
8	106-7887	1	Shift ASM	20	3290-357	2	Nut-HSF
9	131-8473	1	Knob-Tapered	21	93-6083	4	Screw-HWH
10	136-7121	1	Spring-Compression	22	283-62	5	Pin-Clevis
11	115-2287	1	Cable-Lock, Differential	23	32120-47	1	Ring-Retaining, External
12	117-8063	1	Boot-Shift	24	3290-307	5	Pin-Cotter
				25	108-4925	1	Washer

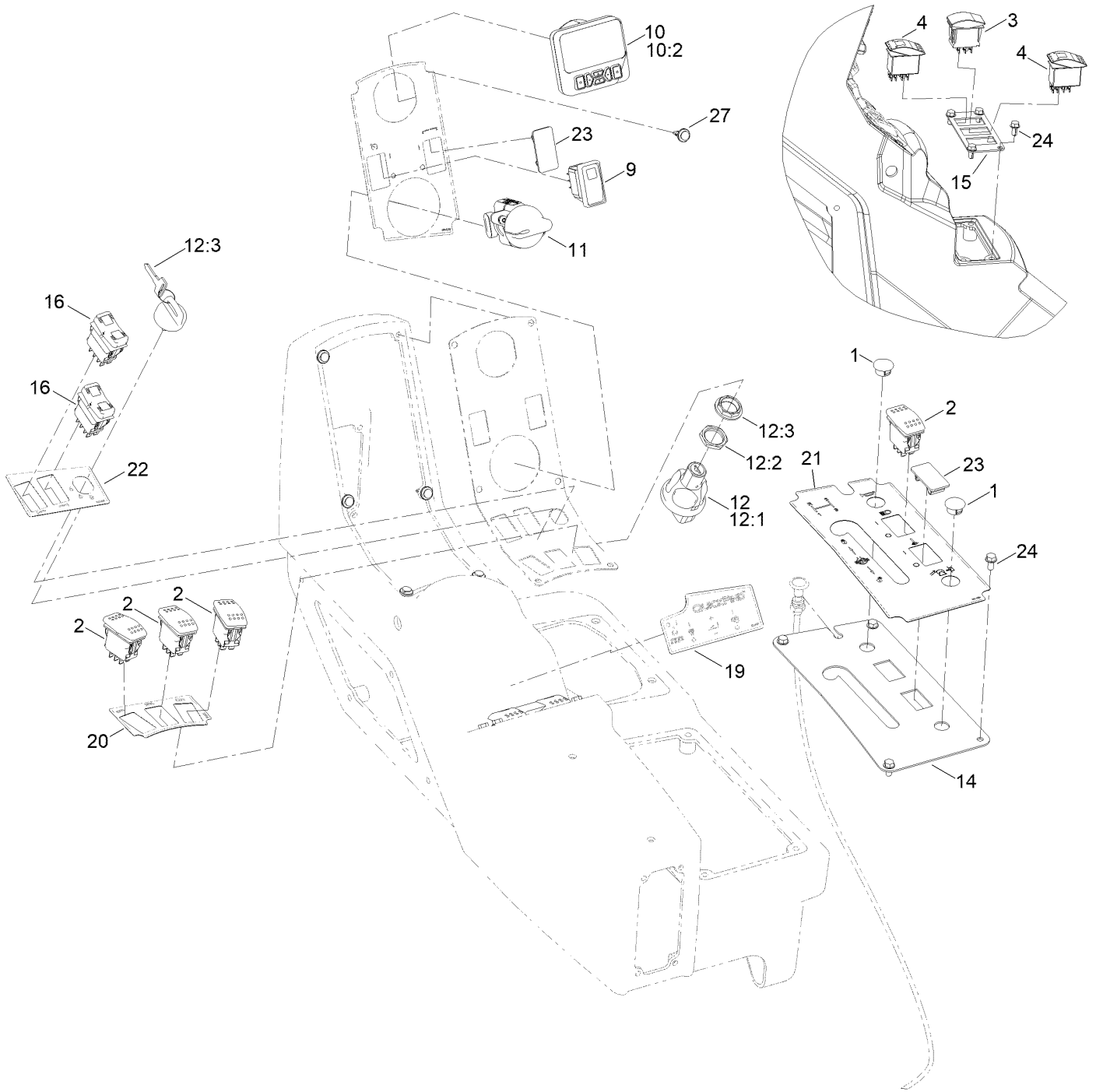
Shift Assembly No. 106-7887



Shift Assembly No. 106-7887 (continued)

<i>Ref.</i>	<i>Part Number</i>	<i>Qty.</i>	<i>Description</i>	<i>Ref.</i>	<i>Part Number</i>	<i>Qty.</i>	<i>Description</i>
1	131-3469	1	Lever-Shift	9	87-3660	1	Spring-Compression
2	87-3650	1	Pin-Shift	10	3290-507	1	Pin-Dowel
3	87-3540	2	Link-Shift	11	87-3520	1	Clevis
4	87-2520	1	Tube-Pivot	12	32121-48	1	Pin-Spring
5	87-2900	1	Spring-Compression	13	87-6040	1	Bracket-Shifter
6	87-8640	1	Washer-Flat	14	3290-456	2	Washer-Belleville
7	322-12	1	Screw-HH	15	119-4041	1	Nut-HF
8	87-3530	1	Button-Shifter				

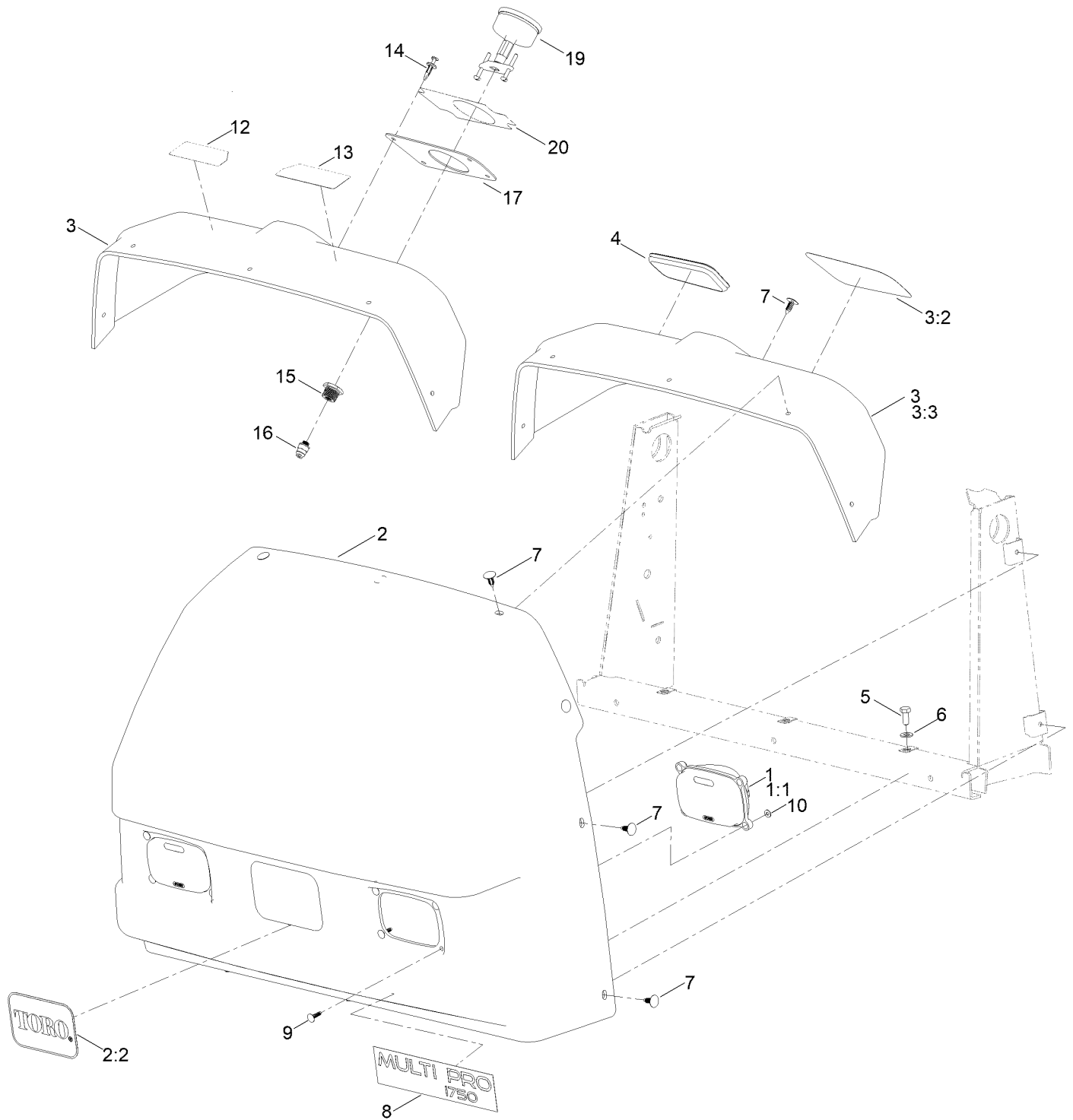
Control Console Assembly



Control Console Assembly (continued)

<i>Ref.</i>	<i>Part Number</i>	<i>Qty.</i>	<i>Description</i>	<i>Ref.</i>	<i>Part Number</i>	<i>Qty.</i>	<i>Description</i>
1	94-5627	2	Plug-Dome	12:1	121-5160	1	Nut-Hex
2	95-8999	4	Switch-Rocker, On-None-On	12:2	122-2704	1	Nut-Face, M22 (Plastic)
3	100-1535	1	Switch-Rocker, (On)-Off-(On)	12:3	121-5162	1	Set-Key, Ignition
4	100-8490	2	Switch-Rocker, On-None-On	14	125-0896-03	1	Panel-Cover
9	122-2719	1	Switch-Rocker, On-None-(On)	15	125-0898-03	1	Panel-Switches
10	161-1700	1	Display-LCD	16	125-0899	2	Switch-Rocker
10:2	161-1723	1	Nut-Display	19	130-8293	1	Decal-Control Panel, Rear
11	163-2962	1	Sensor-Position, Rotary	20	161-4145	1	Decal-Control Panel, Spray
12	121-5159	1	Switch-Ignition	21	163-2966	1	Decal-Control Panel
				22	161-4144	1	Decal-Switch Panel, Center
				23	99-7420	2	Plug-Hole
				24	93-6083	8	Screw-HWH
				27	125-9622	6	Rivet-Blind

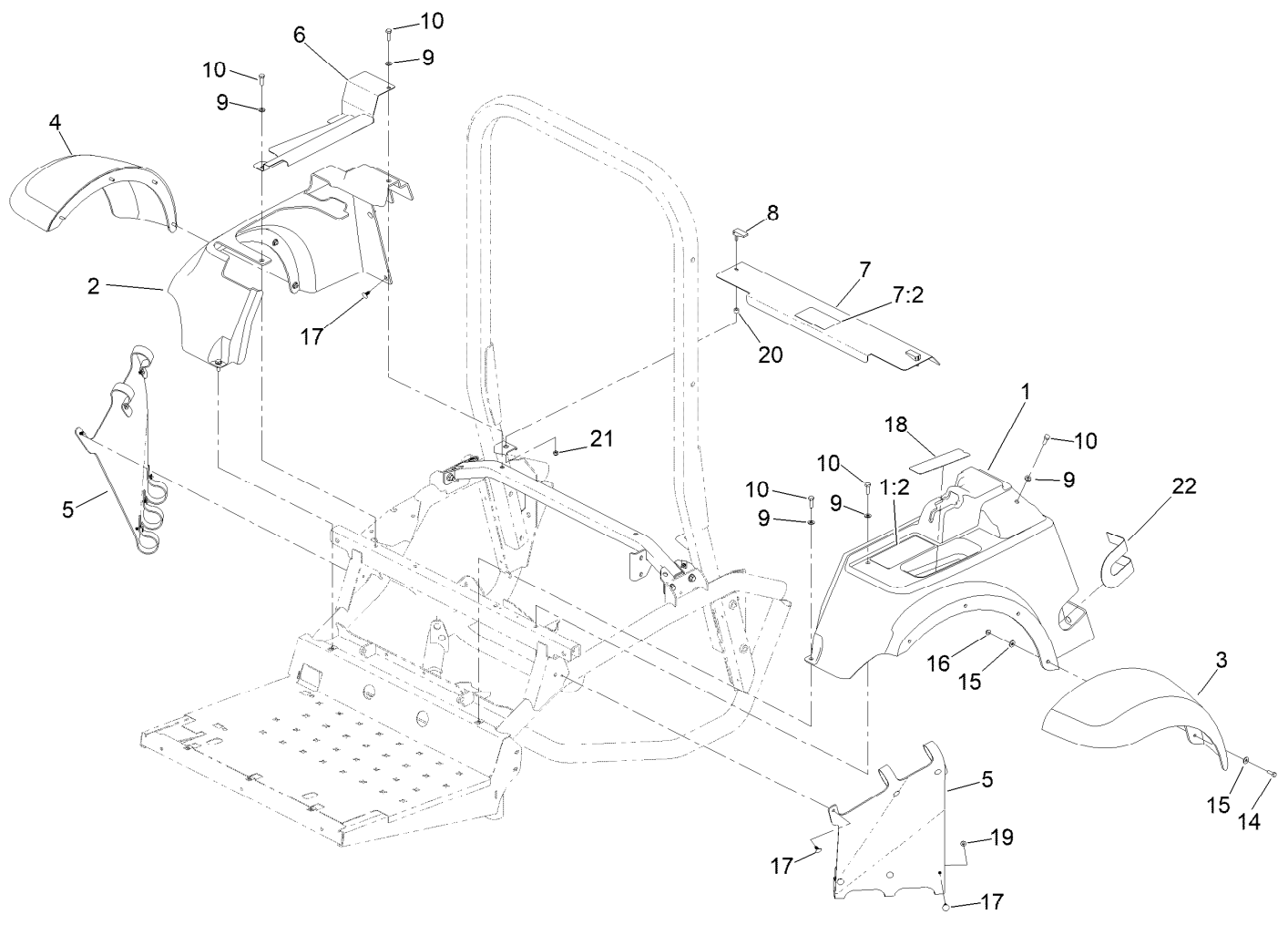
Hood, Dash and Headlight Assembly



Hood, Dash and Headlight Assembly (continued)

<i>Ref.</i>	<i>Part Number</i>	<i>Qty.</i>	<i>Description</i>	<i>Ref.</i>	<i>Part Number</i>	<i>Qty.</i>	<i>Description</i>
1	125-0672	2	Headlight ASM	8	127-3944	1	Decal
1:1	125-0673	1	Halogen-Bulb	9	125-8067	8	Plug-Plastic
2	127-3982	1	Hood	10	3256-21	8	Washer-Flat
2:2	67-1300	1	Decal	12	163-2967	1	Decal-Warning
3	163-2998	1	Dash	13	163-2968	1	Decal-Warning
3:2	163-2967	1	Decal-Warning	14	125-9622	4	Rivet-Blind
3:3	163-2968	1	Decal-Warning	15	100-8665	1	Reducer-Gauge, Pressure
4	125-8059	1	Cover- Reservoir, Brake	16	100-8667	1	Coupler-Reducer
5	322-3	3	Screw-HH	17	163-7154-03	1	Bracket-Hand Throttle
6	3256-23	3	Washer-Plain	19	120-8546	1	Gauge-Pressure
7	117-2382	10	Plug-Plastic	20	164-1047	1	Decal-Dash Panel

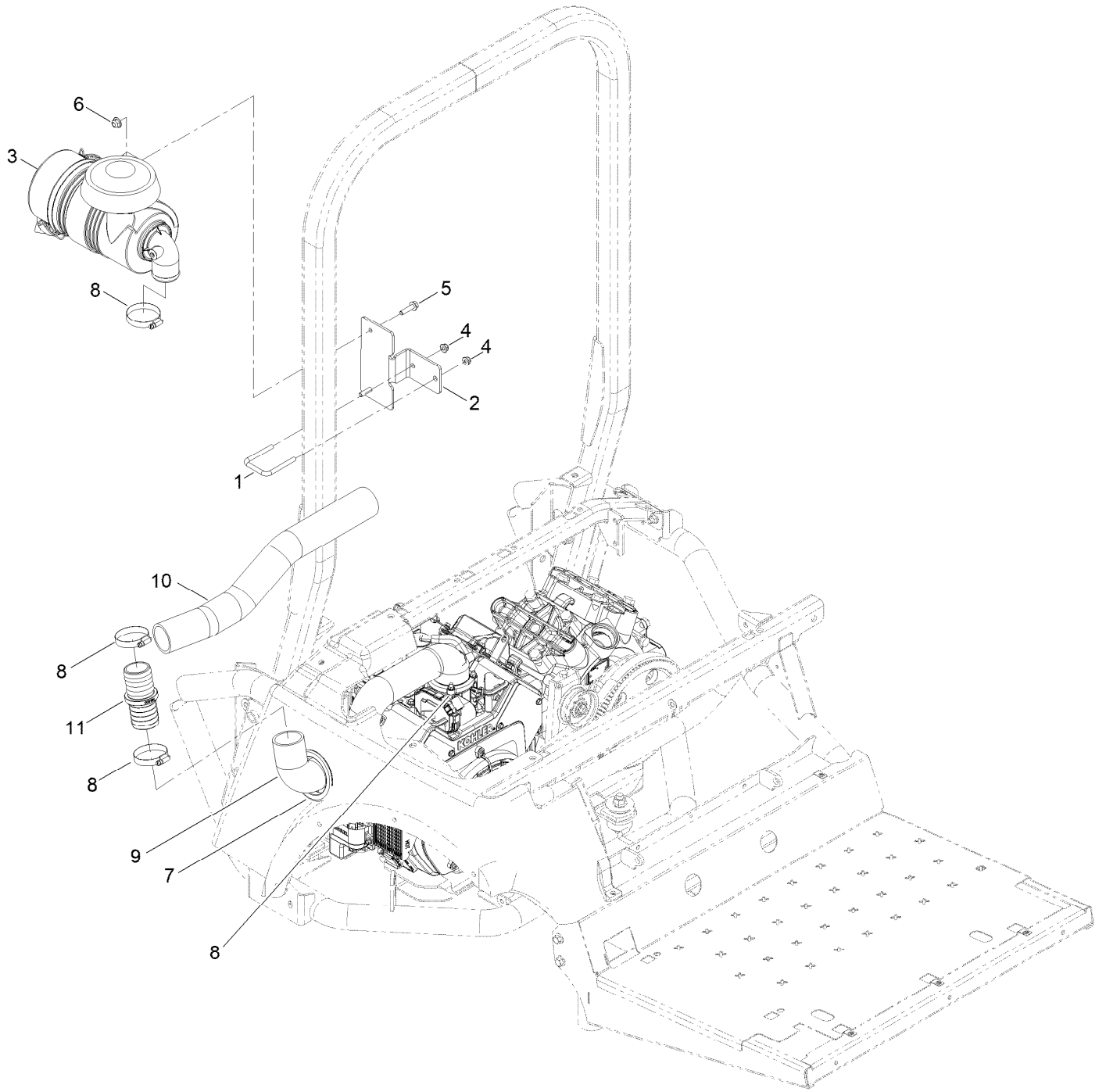
Seat Base and Front Fender Assembly



Seat Base and Front Fender Assembly (continued)

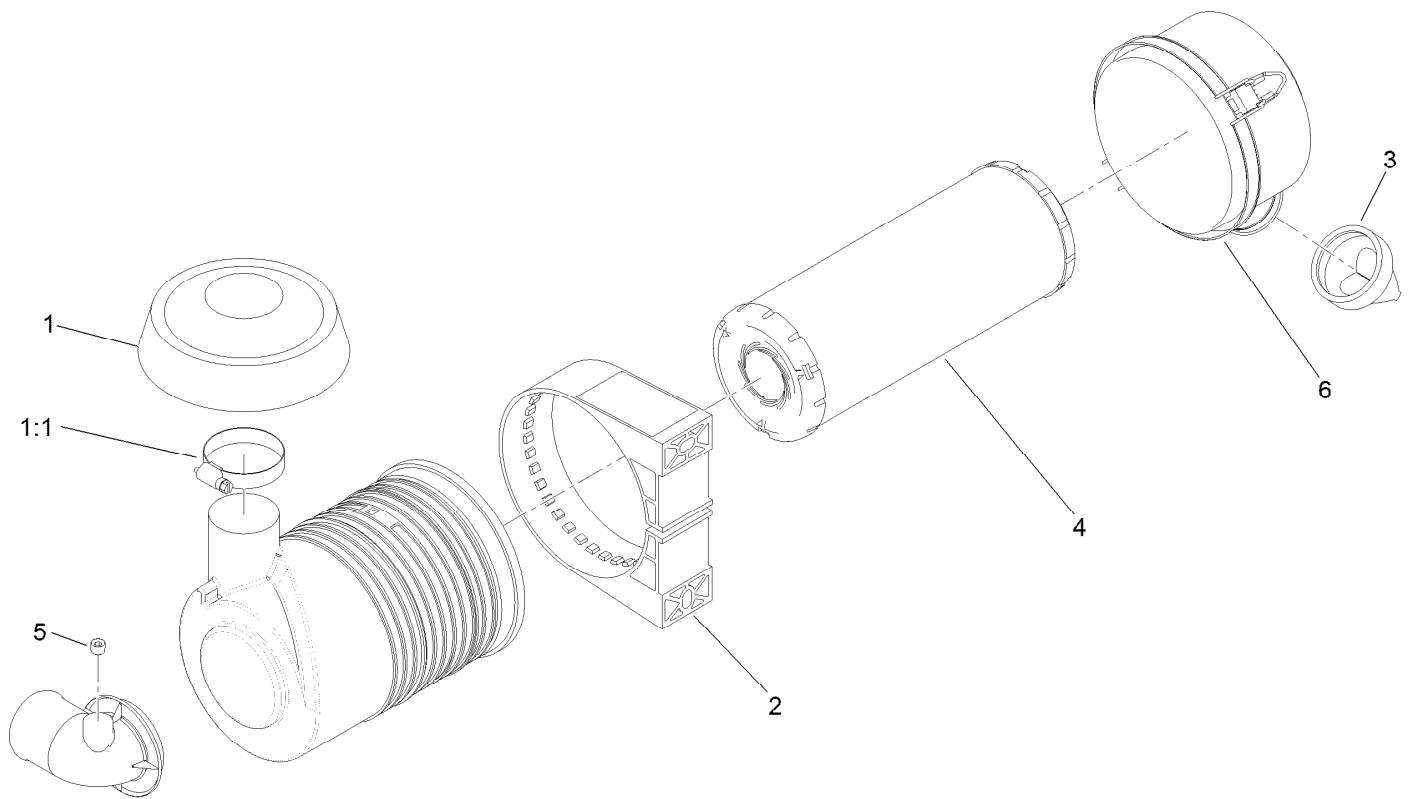
<i>Ref.</i>	<i>Part Number</i>	<i>Qty.</i>	<i>Description</i>	<i>Ref.</i>	<i>Part Number</i>	<i>Qty.</i>	<i>Description</i>
1	127-3980	1	LH Seatbase ASM	9	3256-23	7	Washer-Plain
1:2	127-3935	1	Decal-Start-Up/Shut-Down	10	322-5	7	Screw-HH
2	164-1048	1	Seatbase-RH	14	321-5	8	Screw-HH
3	125-0902	1	Fender-LH	15	3256-2	16	Washer-Flat
4	125-0903	1	Fender-RH	16	104-7201	8	Nut-HF, NI
5	125-0935	2	Shroud-Fender, Inner	17	117-2382	16	Plug-Plastic
6	164-1060-01	1	Cover-Console, End	18	125-8093	1	Pad-Pocket
7	127-3979	1	Cover-Engine	19	3256-16	10	Washer-Flat
7:2	127-3937	1	Decal-Warning, Engine Cover	20	106-6778	2	Bushing-Latch, Swell
8	106-6777	2	Handle-Latch, Swell	21	1-804254	2	Nut-Lock, HH
				22	131-5822	1	Guard-Rubber

Air Cleaner Assembly



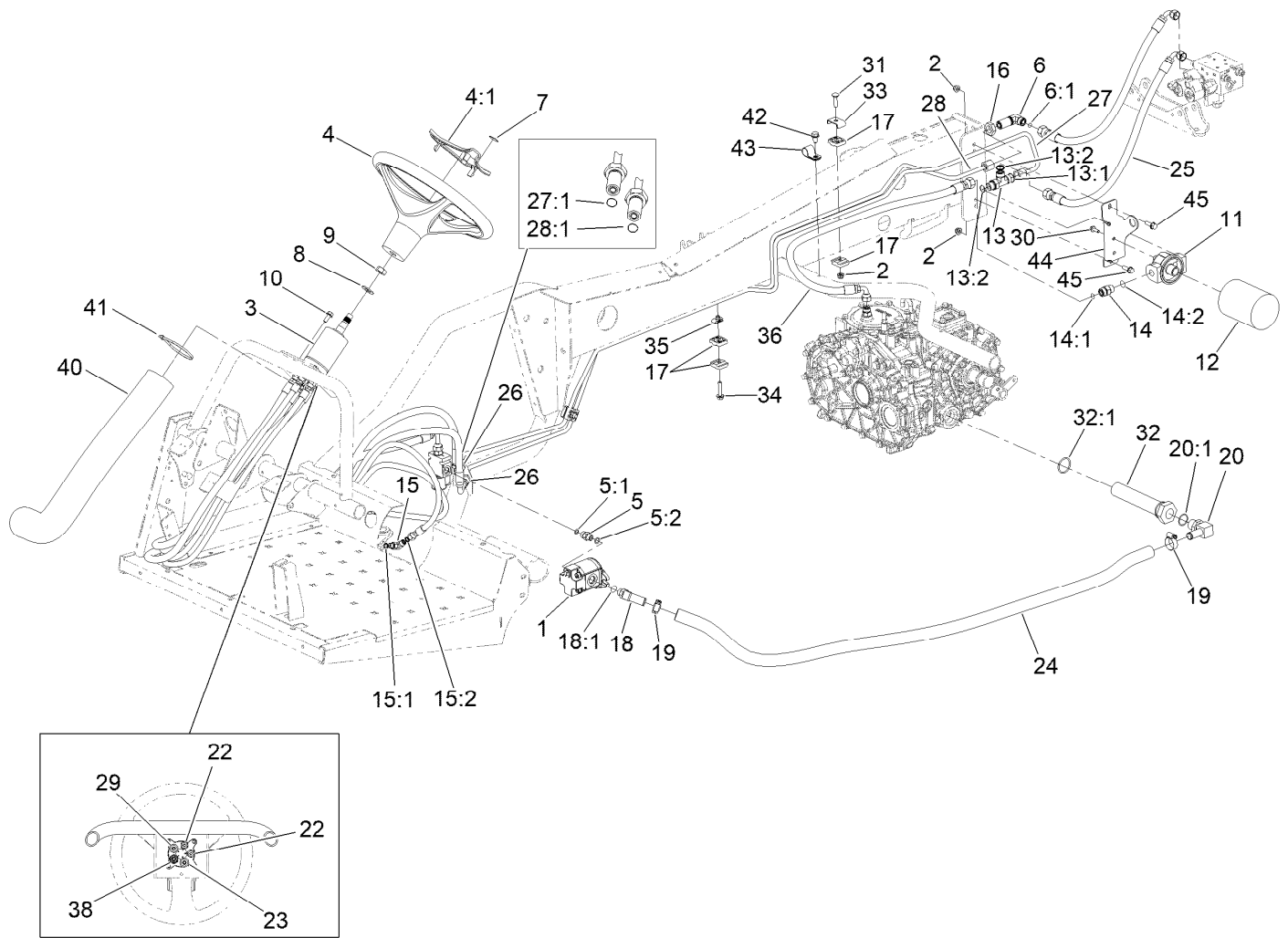
Air Cleaner Assembly (continued)

<i>Ref.</i>	<i>Part Number</i>	<i>Qty.</i>	<i>Description</i>	<i>Ref.</i>	<i>Part Number</i>	<i>Qty.</i>	<i>Description</i>
1	109-2394	1	U-Bolt	7	144-6568	1	Grommet-Rubber
2	163-7196-03	1	Mount-Air Cleaner	8	2412-130	4	Clamp-Hose
3	138-5650	1	Air Cleaner ASM	9	164-1033	1	Hose-Air Intake, Engine
4	119-4041	2	Nut-HF	10	164-1034	1	Hose-Air Intake, Filter
5	119-4036	2	Screw-HHF	11	164-1046	1	Fitting-Hose Mender, 2" To 2"
6	119-4042	2	Nut-HF, NI				



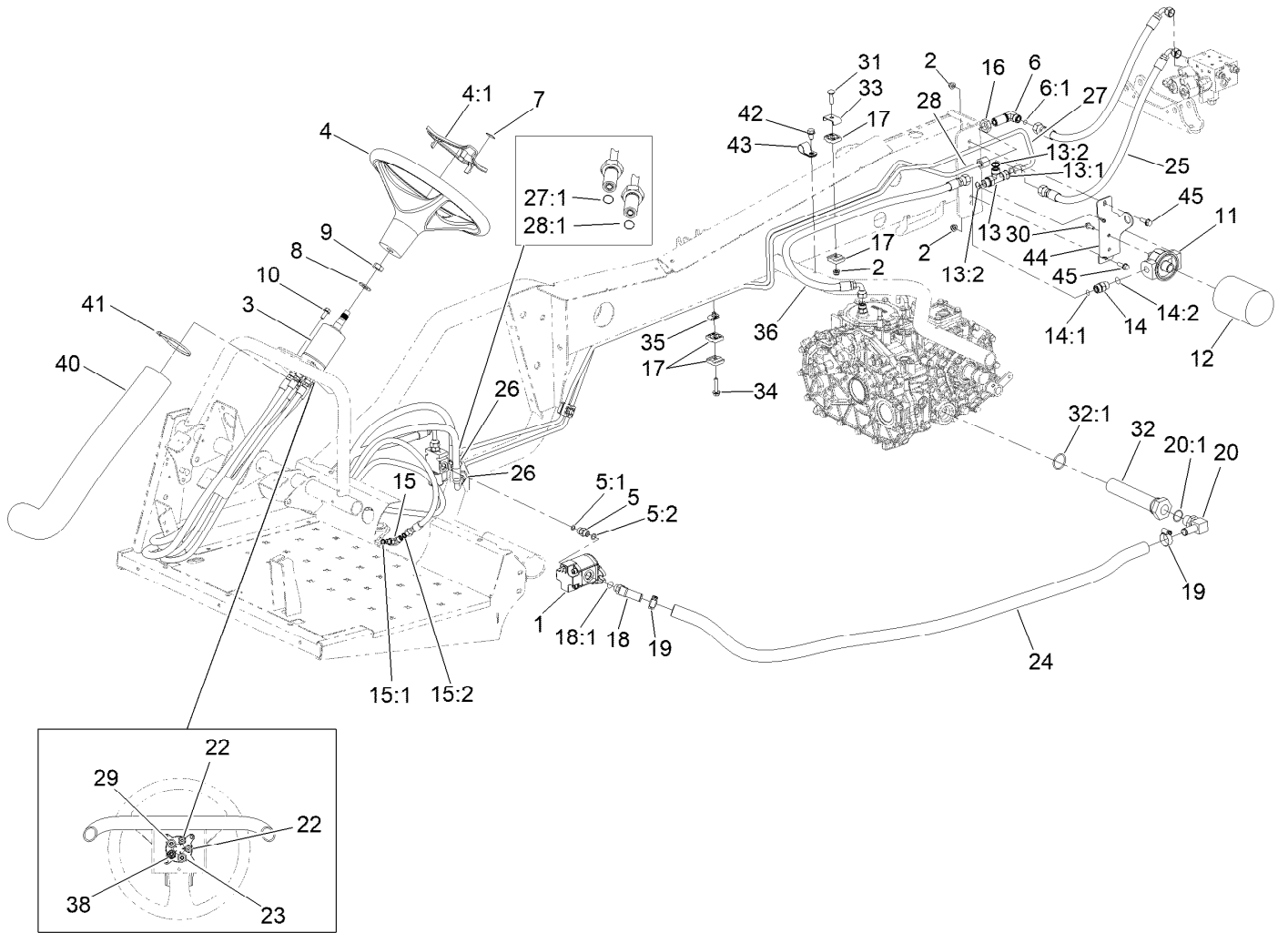
Air Cleaner Assembly No. 138-5650

<i>Ref.</i>	<i>Part Number</i>	<i>Qty.</i>	<i>Description</i>
1	139-0686	1	Rain Cap ASM
1:1	2412-130	1	Clamp-Hose
2	98-4525	1	Bracket-Cleaner, Air
3	87-9400	1	Valve-Vacuator
4	108-3810	1	Filter-Air
5	285-17	1	Plug-Pipe
6	98-9771	1	Cover ASM



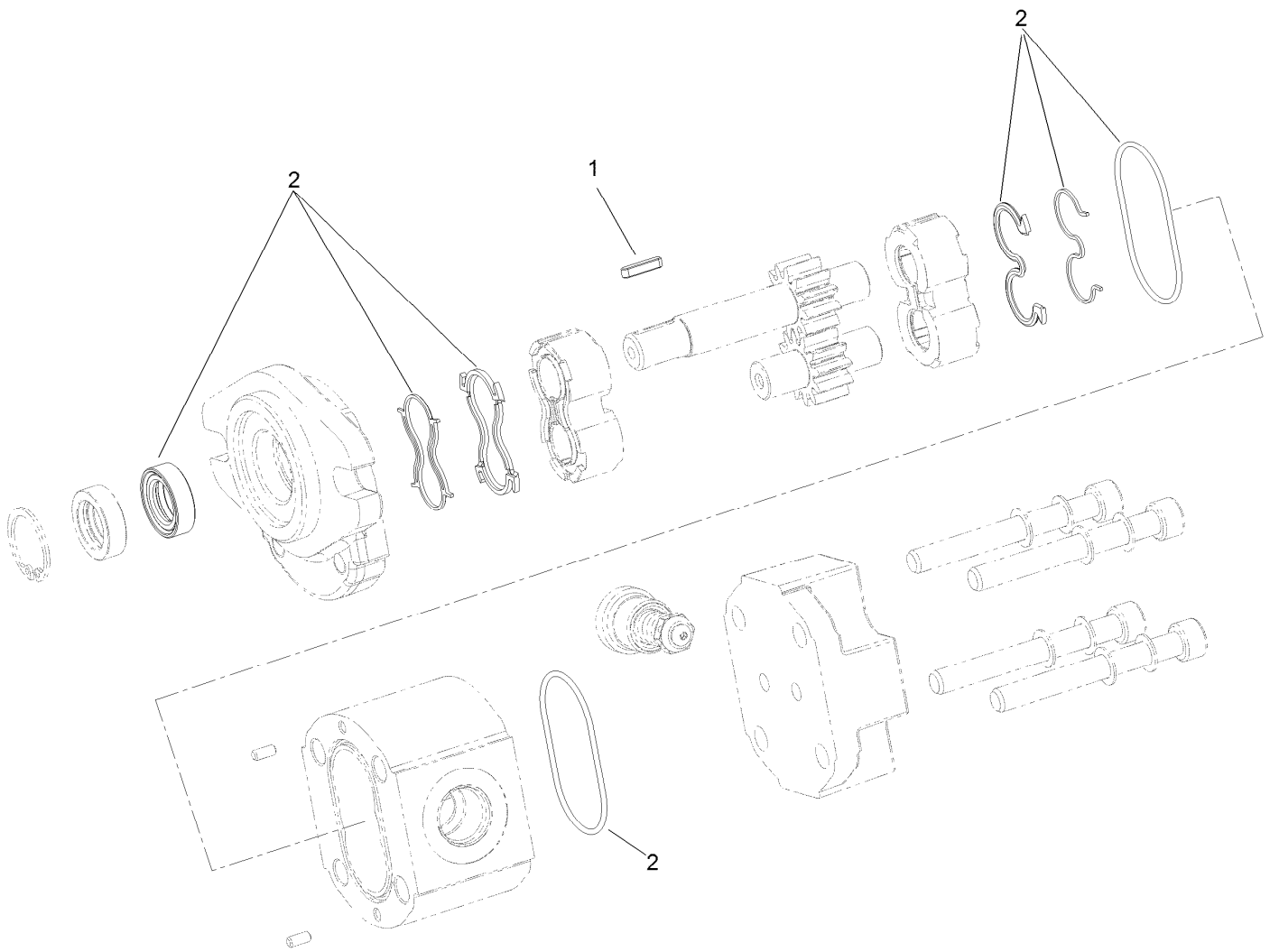
Hydraulic Steering Assembly

Ref.	Part Number	Qty.	Description	Ref.	Part Number	Qty.	Description
1	121-6545	1	HYD Pump ASM	14:2	237-79	1	O-Ring
2	119-4041	4	Nut-HF	15	340-132	2	Fitting-Elbow, 90 DEG
3	138-6100	1	Steering Control Unit	15:1	237-78	1	O-Ring
4	98-1471	1	Wheel-Steering	15:2	237-21	1	O-Ring
4:1	98-1468	1	Cover-Wheel, Steering	16	340-127	1	Nut-Bulkhead
5	340-2	2	Fitting-Straight	17	56-7973	6	Clamp-Tube
5:1	237-22	1	O-Ring	18	93-6848	1	Fitting-Elbow 45
5:2	237-42	1	O-Ring	18:1	237-79	1	O-Ring
6	93-9151	1	Fitting-HYD	19	2412-129	2	Clamp-Hose
6:1	237-30	2	O-Ring	20	353-987	1	Fitting-Elbow, 90
7	98-1459	1	Decal	20:1	237-81	1	O-Ring
8	3256-27	1	Washer-Flat	22	108-5675	2	Hydraulic Hose ASM
9	3296-33	1	Nut-Lock, NI	23	127-3987	1	Hose ASM
10	33104-020	4	Screw-HHF	24	125-0952	1	Hose-Suction
11	87-8780	1	Head-Filter	25	125-0949	2	Hydraulic Hose ASM
12	54-0110	1	Filter-Oil, Transmission	26	340-70	2	Nut-Lock
13	340-109	1	Fitting-Tee	27	125-4058	1	Hydraulic Tube ASM
13:1	237-79	1	O-Ring	27:1	237-22	1	O-Ring
13:2	237-30	2	O-Ring	28	125-4059	1	Hydraulic Tube ASM
14	340-4	1	Fitting-Straight	28:1	237-22	1	O-Ring
14:1	237-30	1	O-Ring	29	114-7702	1	Hose-HYD



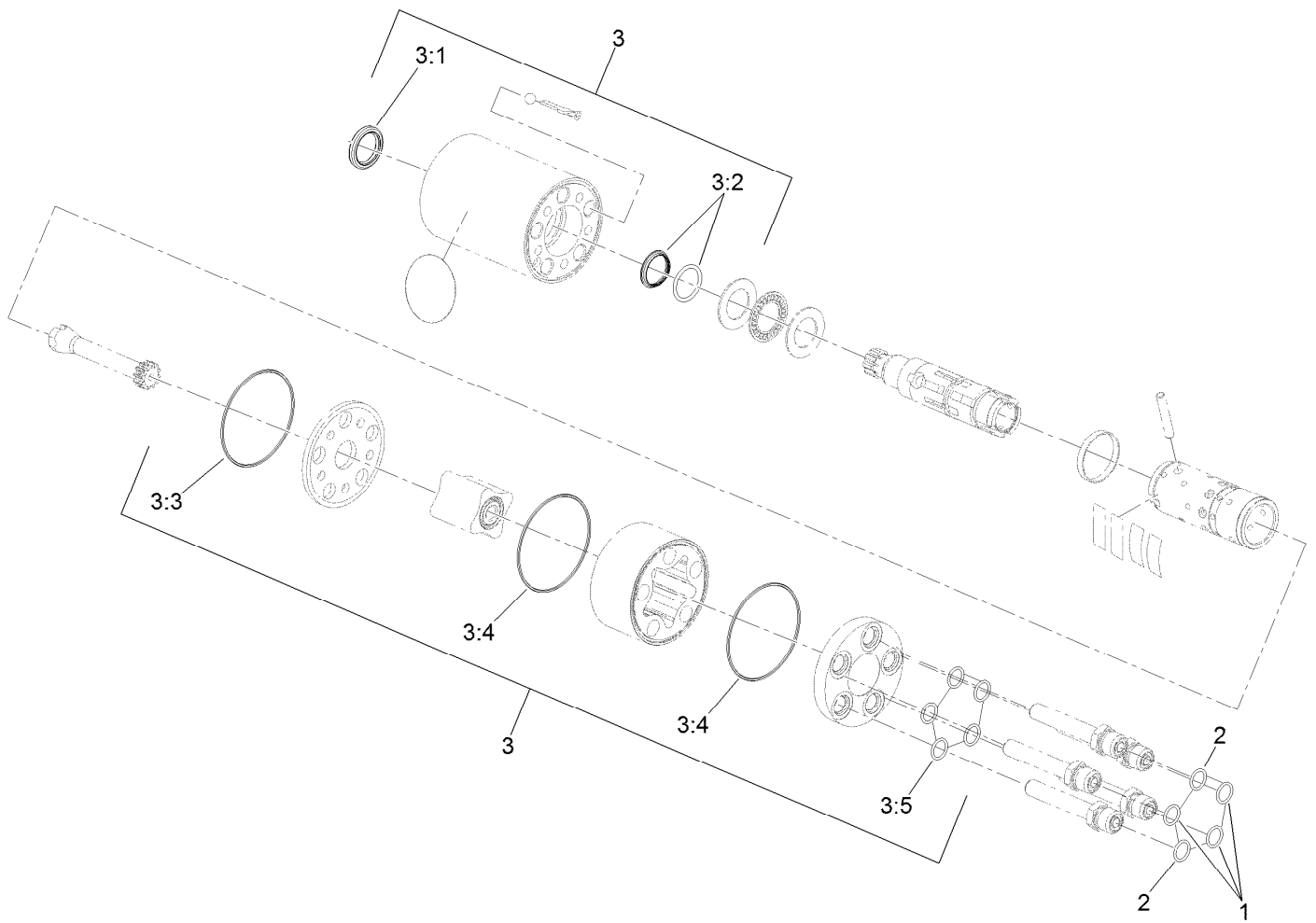
Hydraulic Steering Assembly (continued)

<i>Ref.</i>	<i>Part Number</i>	<i>Qty.</i>	<i>Description</i>	<i>Ref.</i>	<i>Part Number</i>	<i>Qty.</i>	<i>Description</i>
30	3234-4	2	Screw-HHF	38	120-2061	1	Hose-HYD
31	3230-3	2	Screw-CARR	40	106-6713	1	Cover-Lines, Steering
32	147-6678	1	Strainer-Hydraulic	41	3290-379	4	Tie-Cable
32:1	237-101	1	O-Ring	42	110-9380	1	Screw-HWH
33	119-1418	2	Plate-Clamp, Short	43	2412-81	1	Clamp-R
34	115-1794	1	Screw-HHF	44	136-2313-03	1	Mount-Filter
35	94-2413	1	Nut-U	45	3234-29	2	Screw-HHF
36	94-5961	1	Hose				



Hydraulic Pump Assembly No. 121-6545

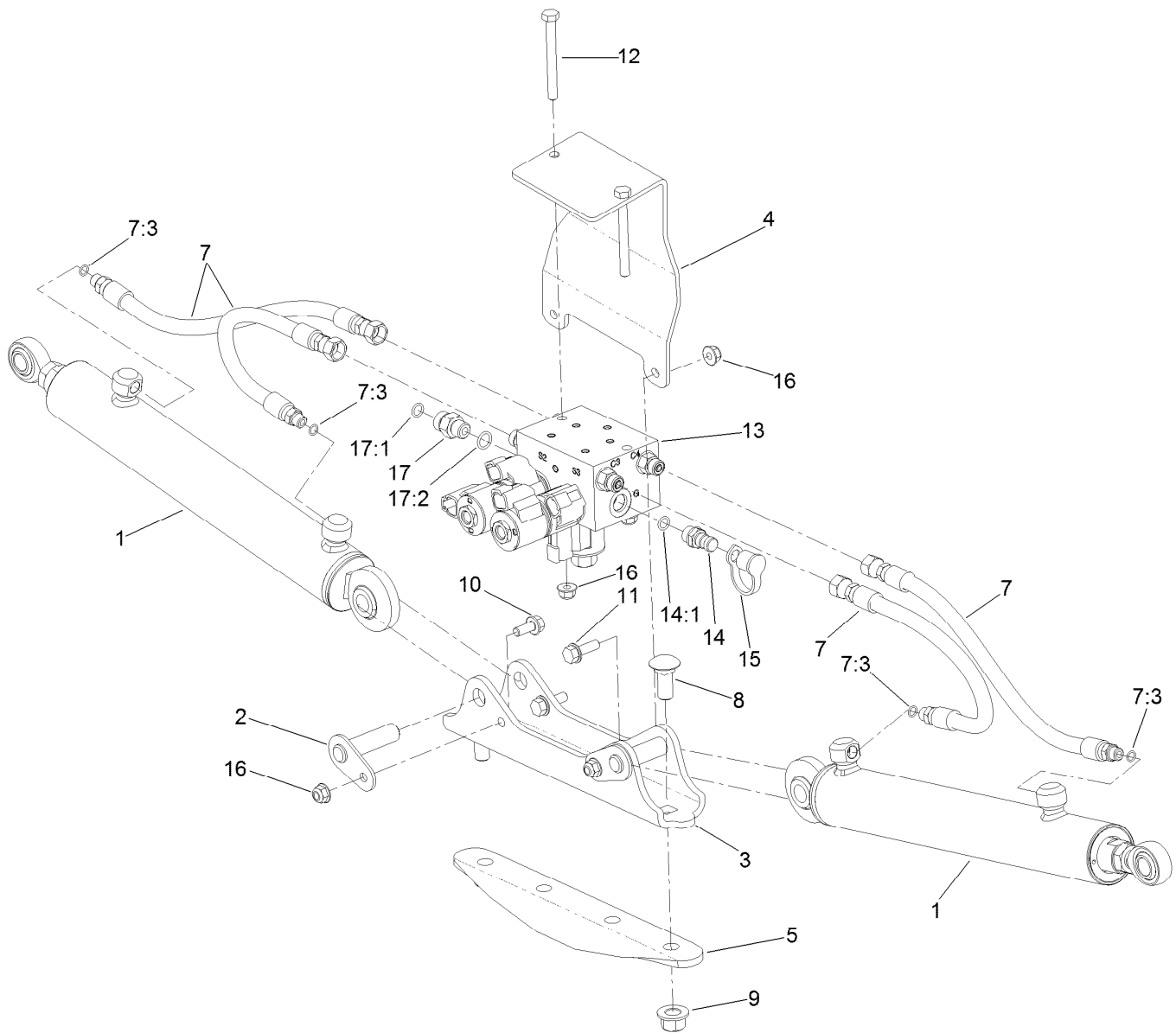
<i>Ref.</i>	<i>Part Number</i>	<i>Qty.</i>	<i>Description</i>
1	125-8147	1	Key, Square
2	125-8148	1	Seal Kit



Steering Valve Assembly No. 138-6100

Ref.	Part Number	Qty.	Description
1	237-21	3	O-Ring
2	237-22	2	O-Ring
3	106-6716	1	Seal Kit
3:1		1	Ring-Seal, Dust ●
3:2		1	Seal-Shaft ●
3:3		1	O-Ring ●
3:4		2	O-Ring ●
3:5		5	O-Ring ●

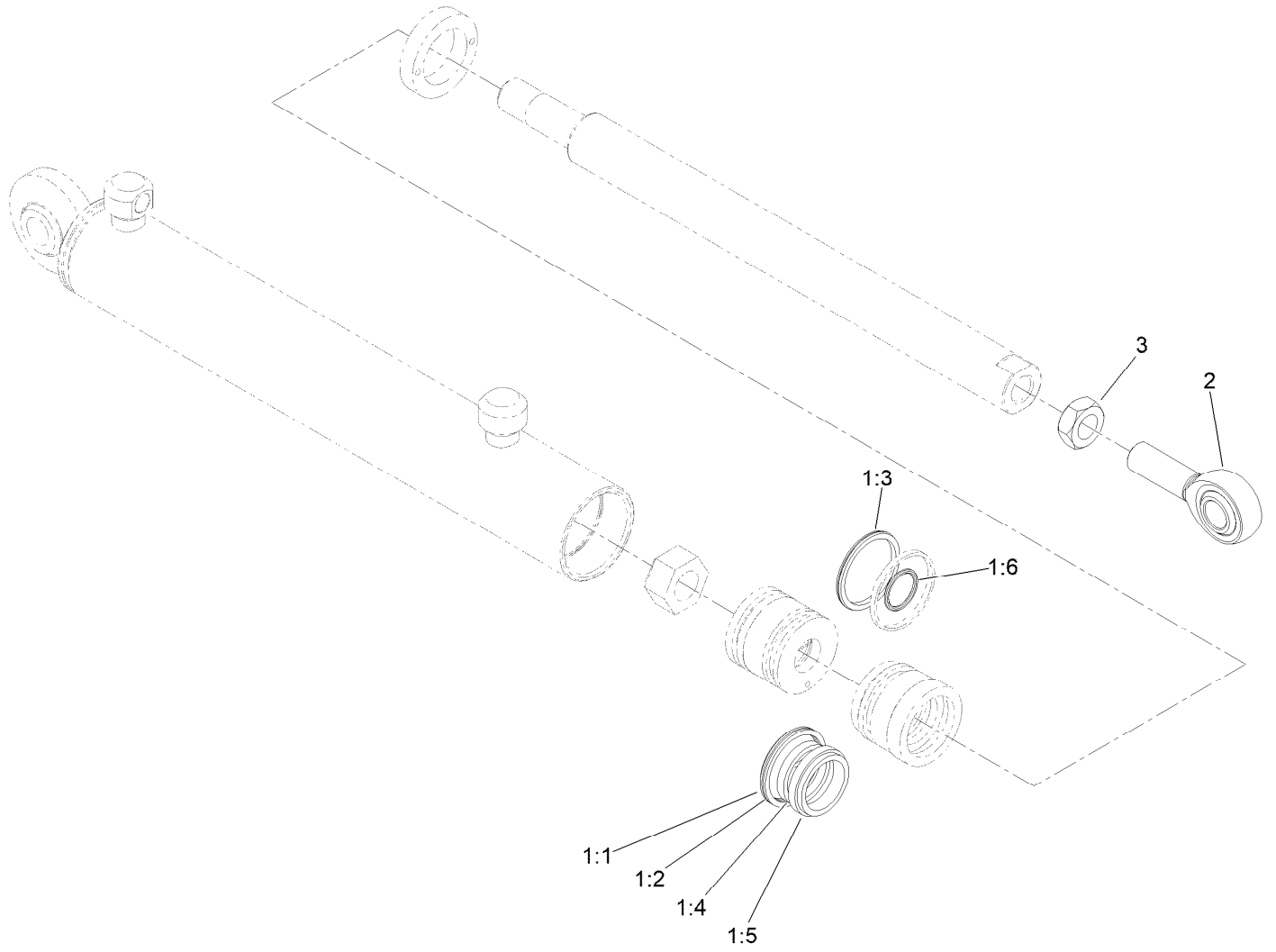
● Not serviced separately



Boom Lift Hydraulic Assembly

Ref.	Part Number	Qty.	Description	Ref.	Part Number	Qty.	Description
1	117-0701	2	Hydraulic Cylinder ASM	11	3234-29	2	Screw-HHF
2	112-7884	2	Pin-Pivot	12	322-14	2	Screw-HH
3	119-4856-03	1	Plate-Mount, Cylinders	13	136-2400	1	On-Off Boom Lift Valve ASM
4	130-8201-03	1	Mount-Valve	14	59-7410	1	Fitting-Diagnostic
5	131-0297-03	1	Plate-Stiffener, Boom	14:1	237-42	1	O-Ring
7	119-4859	4	Hose ASM	15	354-79	1	Cap-Dust
7:3	237-78	1	O-Ring	16	119-4041	6	Nut-HF
8	110-5067	2	Screw-CARR	17	340-2	2	Fitting-Straight
9	139-1689	2	Nut-HF	17:1	237-22	1	O-Ring
10	110-5053	2	Screw-HHF	17:2	237-42	1	O-Ring

Hydraulic Cylinder Assembly No. 117-0701



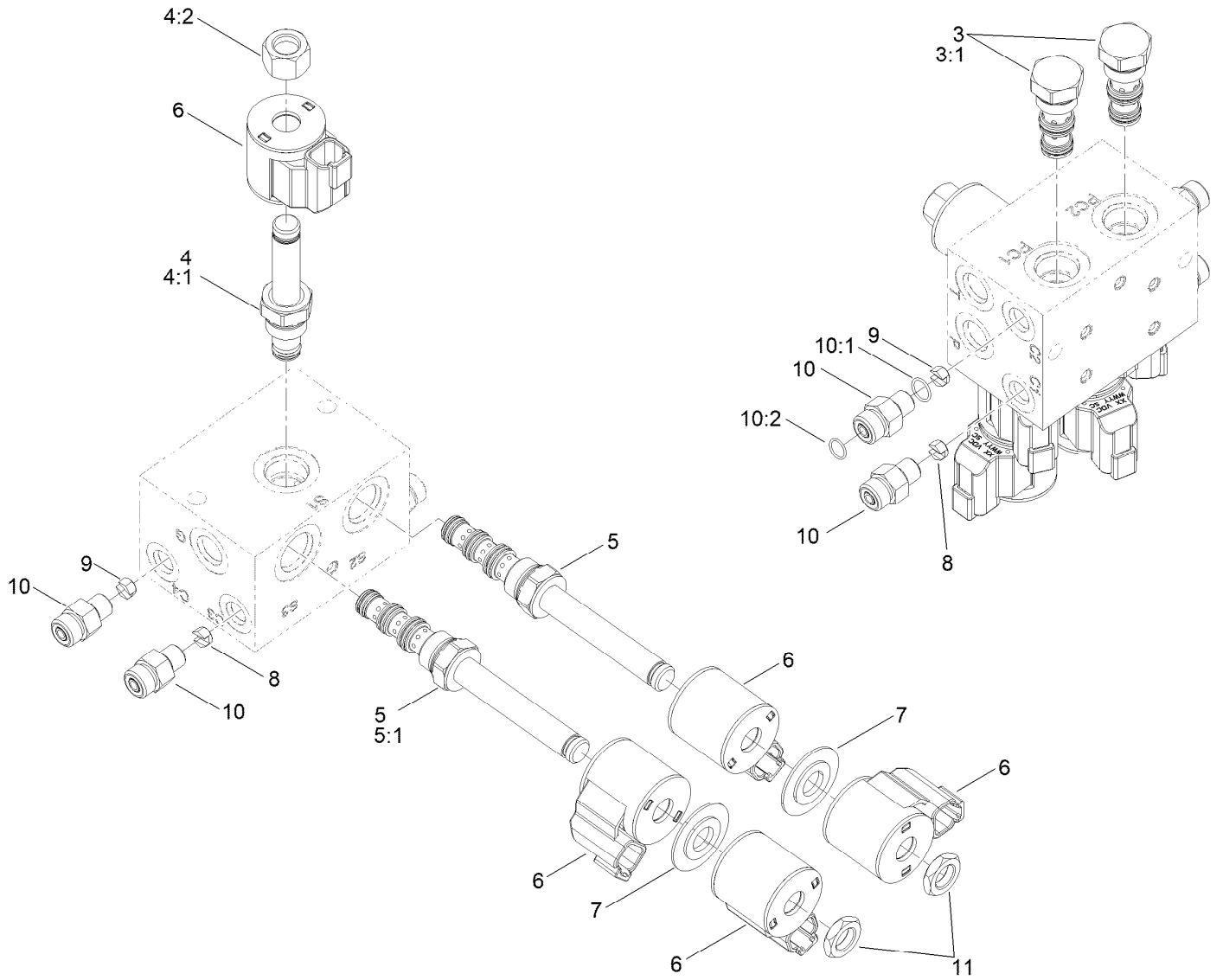
Hydraulic Cylinder Assembly No. 117-0701 (continued)

<i>Ref.</i>	<i>Part Number</i>	<i>Qty.</i>	<i>Description</i>	<i>Ref.</i>	<i>Part Number</i>	<i>Qty.</i>	<i>Description</i>
1	119-8026	1	Seal Kit ●	1:5		1	Dust Seal ■
1:1		1	O-Ring ■	1:6		1	O-Ring ■
1:2		1	Ring-Backup ■	2	119-8027	1	Rod End
1:3		1	Bp Seal ■	3	3220-6	1	Nut-Jam
1:4		1	Bs Seal ■				

● Not illustrated

■ Not serviced separately

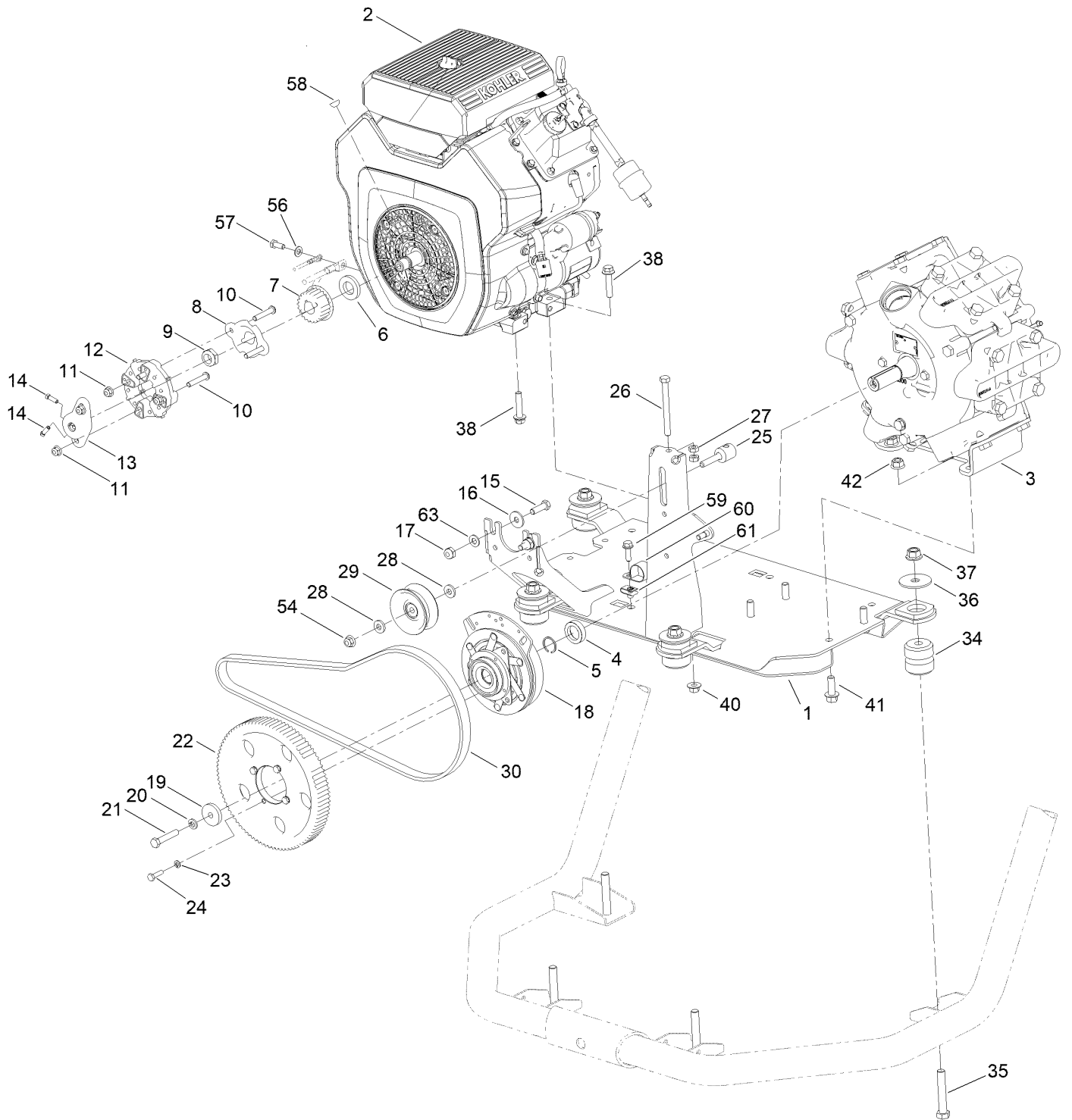
On-Off Boom Lift Valve Assembly No. 136-2400



On-Off Boom Lift Valve Assembly No. 136-2400 (continued)

<i>Ref.</i>	<i>Part Number</i>	<i>Qty.</i>	<i>Description</i>	<i>Ref.</i>	<i>Part Number</i>	<i>Qty.</i>	<i>Description</i>
3	136-2430	2	Valve-Check, Po	7	120-2586	2	Spacer-Coil
3:1	120-0886	1	Seal Kit	8	110-8903	2	Orifice-Control, Flow (0.055)
4	107-7517	1	Valve-Solenoid	9	125-8849	2	Orifice-Flow Control
4:1	105-9156	1	Seal Kit	10	340-92	4	Fitting-Straight
4:2	107-7812	1	Nut-Solenoid	10:1	237-78	1	O-Ring
5	120-2587	2	Valve-Solenoid	10:2	237-21	1	O-Ring
5:1	112-6520	1	Seal Kit	11	110-2634	2	Nut-Coil
6	119-8036	5	Coil				

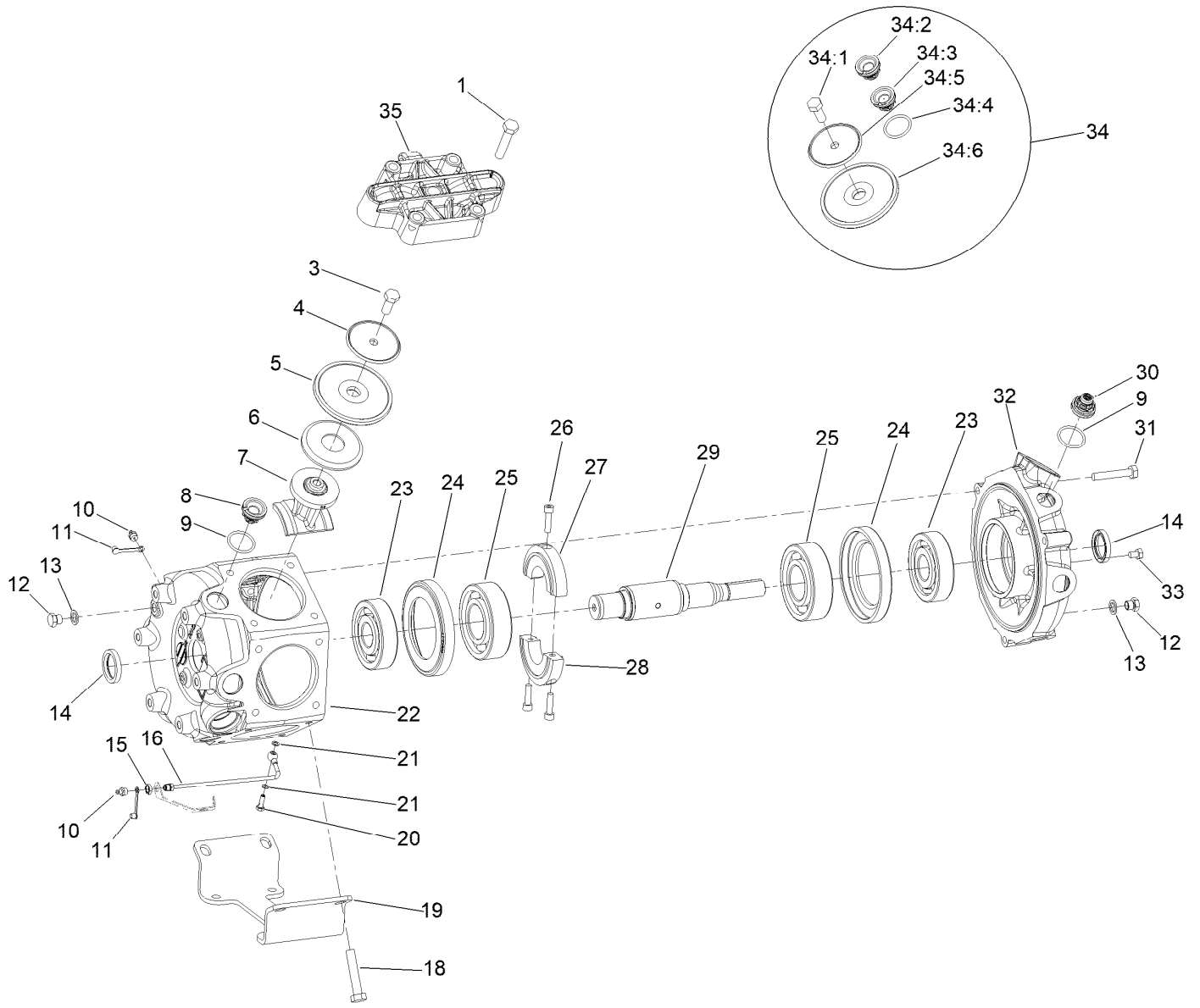
Engine Mounting Assembly



Engine Mounting Assembly (continued)

<i>Ref.</i>	<i>Part Number</i>	<i>Qty.</i>	<i>Description</i>	<i>Ref.</i>	<i>Part Number</i>	<i>Qty.</i>	<i>Description</i>
1	121-6511-03	1	Mount-Engine	24	321-6	4	Screw-HH
2		1	Engine-Rehlko, Ech749 ■●	25	125-0605	1	Shaft-Idler
3	145-3381	1	Pump ASM	26	107-4026	1	Screw-HH
4	108-3301	1	Retainer-Spacer	27	3217-7	2	Nut-Hex
5	108-3302	1	Ring-Snap	28	43-0940	2	Spacer
6	104-1105	1	Spacer-Support, Deck	29	1-633167	1	Sheave-Idler
7	125-8017	1	Sprocket-22 Tooth	30	125-0765	1	Belt-Synchronous
8	125-4092	1	Adaptor-Sprocket, Flanged	34	106-7865	4	Mount-Engine
9	3296-15	1	Nut-Lock, NI	35	325-12	4	Screw-HH
10	125-7977	4	Screw-HSBH	36	41985	4	Washer-Special
11	119-4041	4	Nut-HF	37	139-1689	4	Nut-HF
12	119-0652	1	Coupler-Rubber	38	3234-19	4	Screw-HHF
13	115-2169	1	Hub-Pump	40	32128-43	4	Nut-Flange
14	3241-6	2	Screw-SQH	41	3234-15	4	Screw-HHF
15	323-7	2	Screw-HH	42	114-8417	4	Nut-HF, NI
16	52-2861	2	Washer	54	119-4042	1	Nut-HF, NI
17	3296-44	2	Nut-Lock, NI	56	3256-23	1	Washer-Plain
18	120-7625	1	Clutch-Electric	57	33114-020	1	Screw-HH
19	125-0604	1	Spacer-Clutch	58	3257-5	1	Key-Woodruff
20	3253-5	1	Washer-Lock	59	3234-17	1	Screw-HHF
21	3211-46	1	Screw-HH	60	2412-126	1	R-Clamp
22	125-7982	1	Sprocket-90 Tooth	61	115-7721	1	Nut-Clip, U
23	3253-3	4	Washer-Lock	63	3256-24	2	Washer-Plain

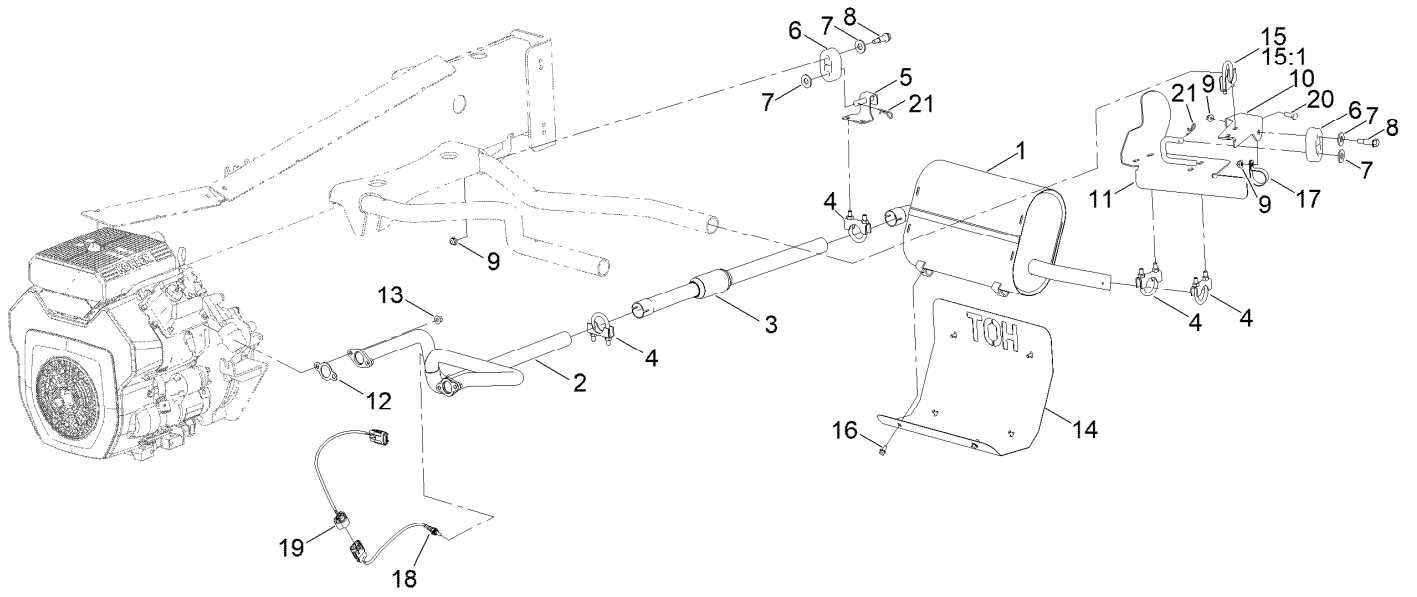
Pump Assembly No. 145-3381



Pump Assembly No. 145-3381 (continued)

<i>Ref.</i>	<i>Part Number</i>	<i>Qty.</i>	<i>Description</i>	<i>Ref.</i>	<i>Part Number</i>	<i>Qty.</i>	<i>Description</i>
1	120-0773	20	Bolt-Hex	23	120-0788	2	Bearing-Ball
3	120-0777	6	Bolt-Hex	24	133-2820	2	Spacer-Metal
4	120-0778	6	Disc-Diaphragm	25	120-0791	2	Bearing-Ball
5	120-0779	6	Diaphragm	26	125-8146	3	Bolt-Allen
6	120-0780	6	Disc-Backing, Diaphragm	27	133-2828	1	Counter Weight
7	125-8141	6	Rod-Connectiing	28	133-2829	1	Counter Weight
8	99-0861	10	Valve-Pump	29	133-2826	1	Shaft - Crank
9	100-6651	12	O-Ring	30	120-0793	2	Valve W/Hole
10	133-2879	2	Nipple-Grease	31	120-0794	3	Bolt-Hex
11	133-2880	2	Cap-Grease Nipple, Yellow	32	133-2822	1	Housing-Pump, Front
12	120-0785	2	Plug	33	120-0784	4	Bolt-Hex
13	120-0786	2	Seal	34	120-0796	1	Pump Kit
14	120-0783	2	Seal-Oil	34:1	120-0777	6	Bolt-Hex
15	133-2878	1	Nut	34:2	99-0861	10	Valve-Pump
16	133-2877	1	Tube-Banjo, Long	34:3	120-0793	2	Valve W/Hole
18	120-0774	4	Bolt-Hex	34:4	100-6651	12	O-Ring
19	120-0787	1	Foot-Pump	34:5	120-0778	6	Disc-Diaphragm
20	133-2830	1	Bolt-Banjo	34:6	120-0779	6	Diaphragm
21	136-2251	2	Gasket	35	145-3399	1	Pump Head Kit
22	133-2821	1	Housing-Pump, Main				

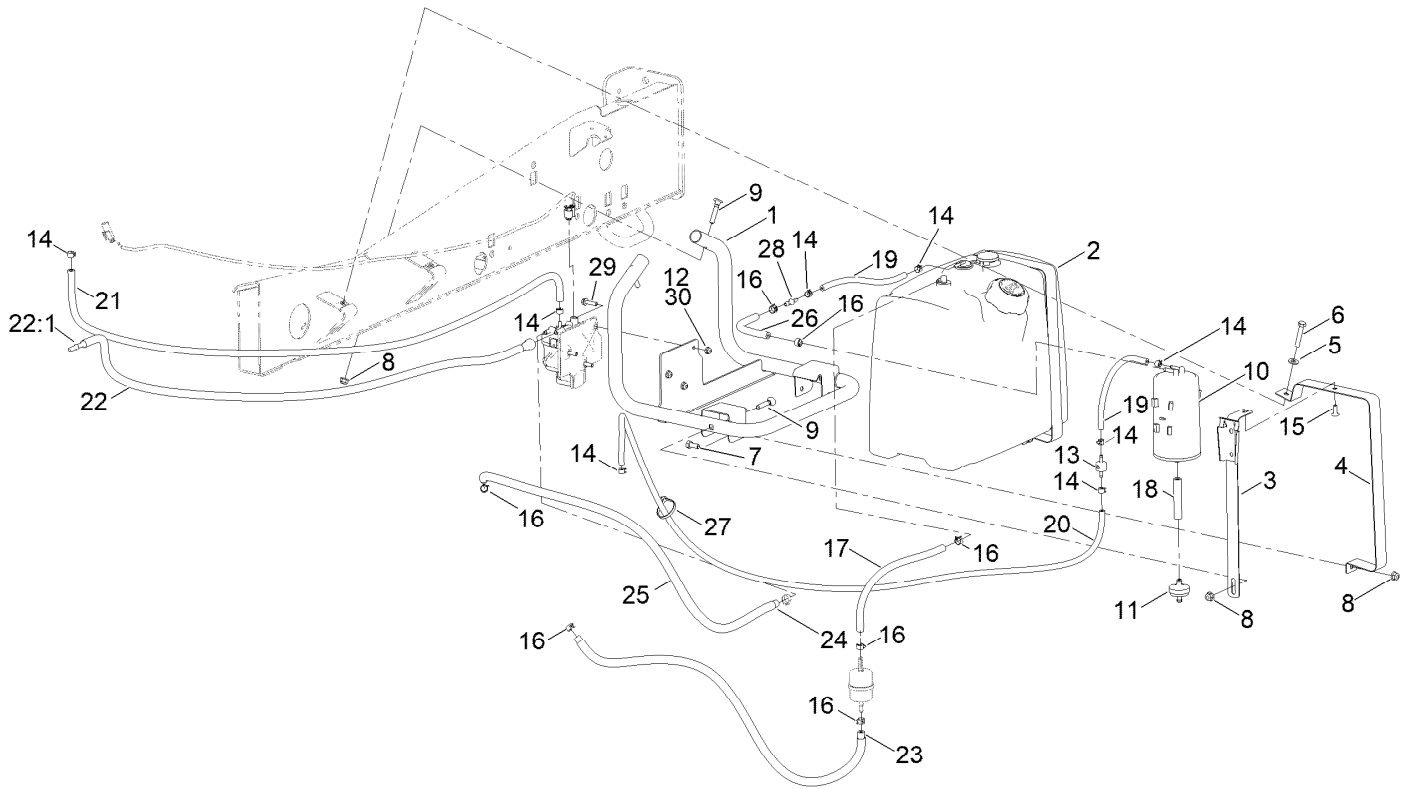
Exhaust Assembly



Exhaust Assembly (continued)

<i>Ref.</i>	<i>Part Number</i>	<i>Qty.</i>	<i>Description</i>	<i>Ref.</i>	<i>Part Number</i>	<i>Qty.</i>	<i>Description</i>
1	127-9736	1	Muffler-Venturi	13	33004-00	4	Nut-HF
2	163-7081	1	Manifold-Exhaust	14	127-9787	1	Shield-Heat, Muffler
3	163-7082	1	Tail-Exhaust	15	2112-9	1	Clamp
4	2112-11	4	Clamp-Muffler	15:1	32128-20	2	Nut-HF
5	163-7090	1	Tailpipe-Hanger, ASM	16	3234-13	6	Screw-HHF
6	161-4120	2	Grommet-Muffler, Short	17	2412-74	1	R-Clamp
7	29-8910	4	Washer	18	143-3709	1	Sensor, O2, Kohler
8	140-3759	2	Bolt-Shoulder,HHF	19	163-7058	1	Harness-Extension, O2 Sensor
9	119-4041	3	Nut-HF	20	322-5	1	Screw-HH
10	163-7089	1	Mount-Muffler	21	3290-467	1	Pin-Hair
11	163-7094	1	Muffler-Shield, ASM				
12	110-6697	2	Gasket-Exhaust				

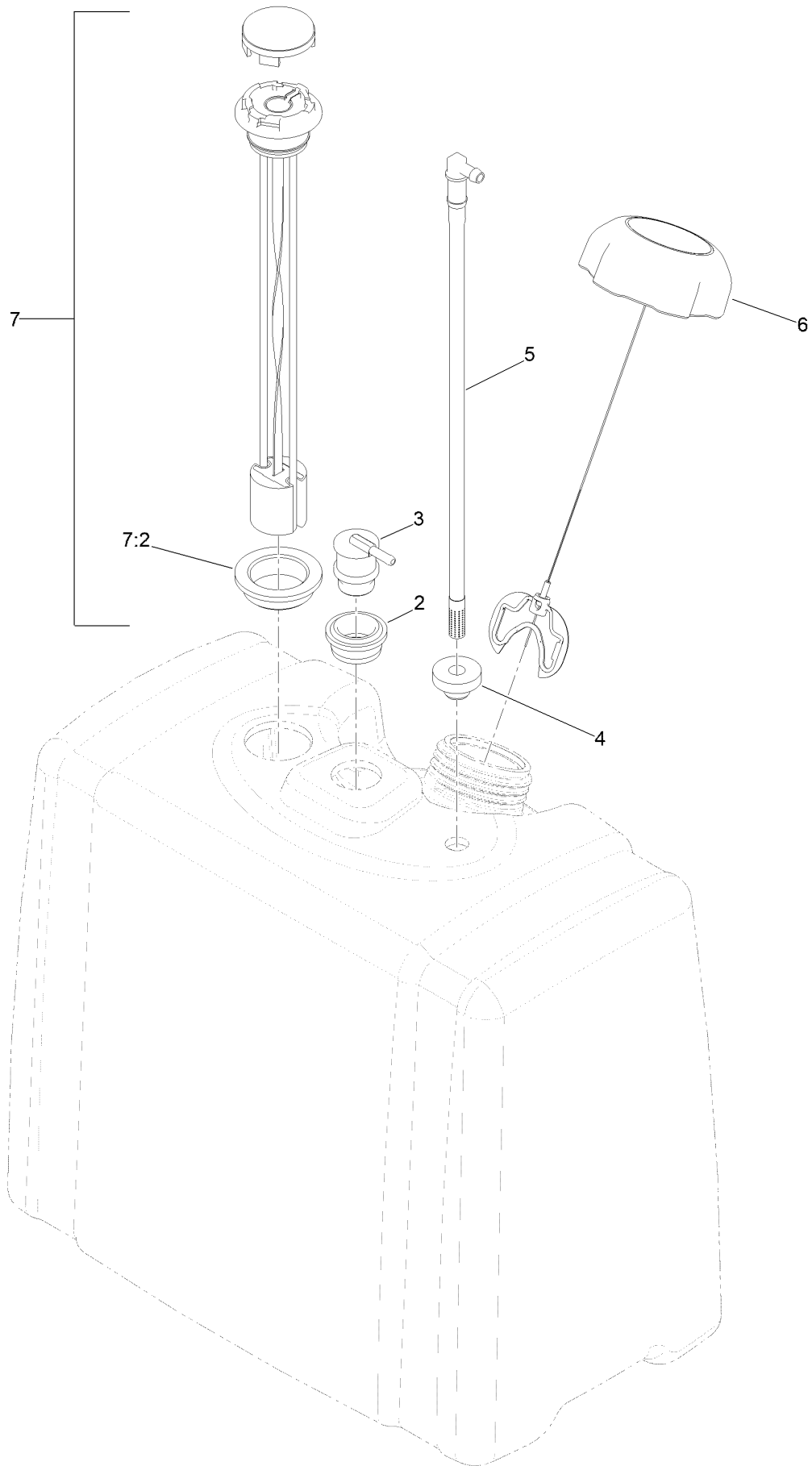
Fuel Tank, Filter and Line Assembly



Fuel Tank, Filter and Line Assembly (continued)

<i>Ref.</i>	<i>Part Number</i>	<i>Qty.</i>	<i>Description</i>	<i>Ref.</i>	<i>Part Number</i>	<i>Qty.</i>	<i>Description</i>
1	163-2974-03	1	Tube ASM-Fuel Tank [black]	17	114-3766	1	Hose-Fuel
2	115-9048	1	Fuel Tank ASM	18	110-0047	1	Hose-Fuel
3	125-8129-03	1	Strap-Cannister, Carbon	19	115-7871	2	Hose-Fuel
4	125-0853	2	Strap-Fuel Tank	20	163-2903	1	Hose-Fuel
5	33094-00	2	Washer-Plain	21	117-9568	1	Hose-Fuel
6	322-41	2	Bolt-Hex, TAP	22	163-2982	1	Hose-Fuel ASM
7	322-3	2	Screw-HH	22:1	127-0578	1	Fitting-STR
8	119-4041	5	Nut-HF	23	109-0284	1	Hose-Fuel
9	17-9420	3	Screw-Handle	24	109-0273	1	Hose-Fuel
10	127-8685	1	Canister-Carbon	25	116-9189	2	Sleeve-Thermal
11	115-7854	1	Filter-Fuel, Inline	26	109-0306	1	Hose-Fuel
12	104-7201	1	Nut-HF, NI	27	3290-378	1	Tie-Cable
13	133-8499	1	Valve-Check, Vacuum	28	121-2573	1	Fitting-Straight
14	2412-80	8	Clamp-Hose	29	120-4654	3	Screw-HHF
15	1-807512	1	Bolt-CARR	30	104-7201	3	Nut-HF, NI
16	2412-98	6	Clamp-Hose				

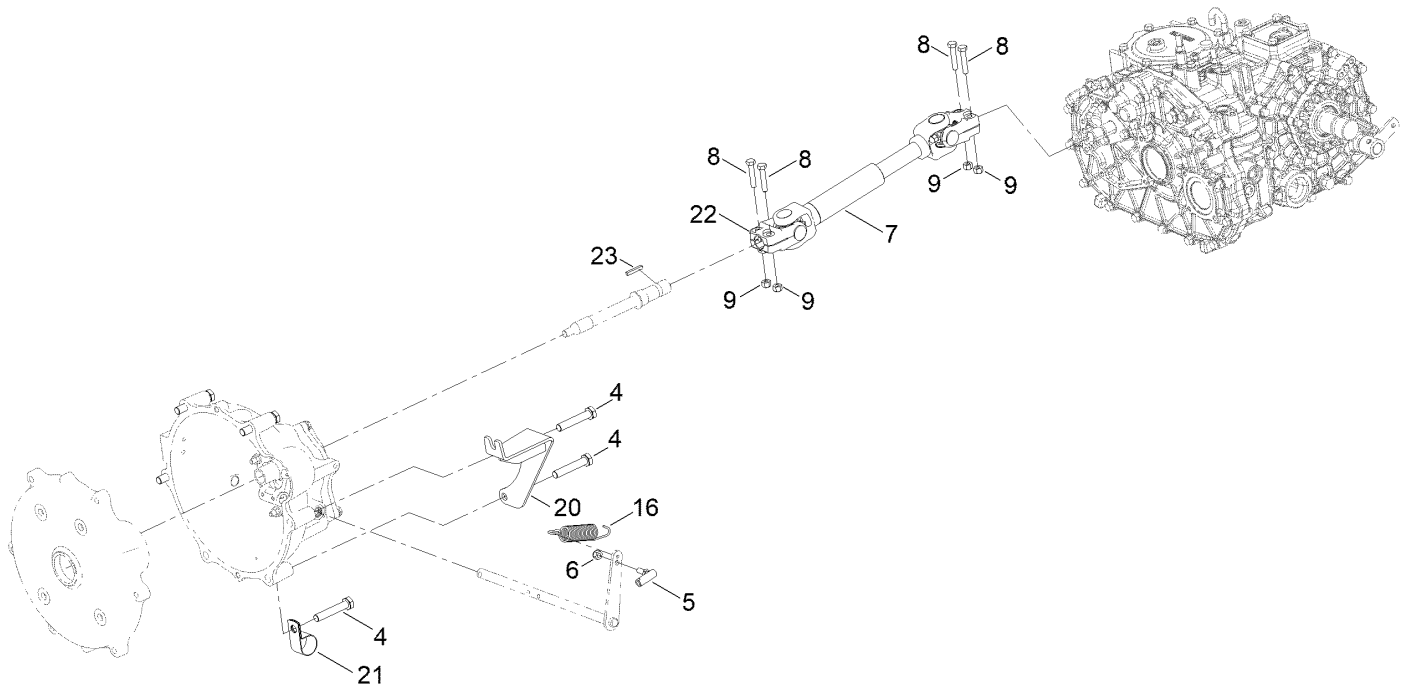
Fuel Tank Assembly No. 115-9048



Fuel Tank Assembly No. 115-9048 (continued)

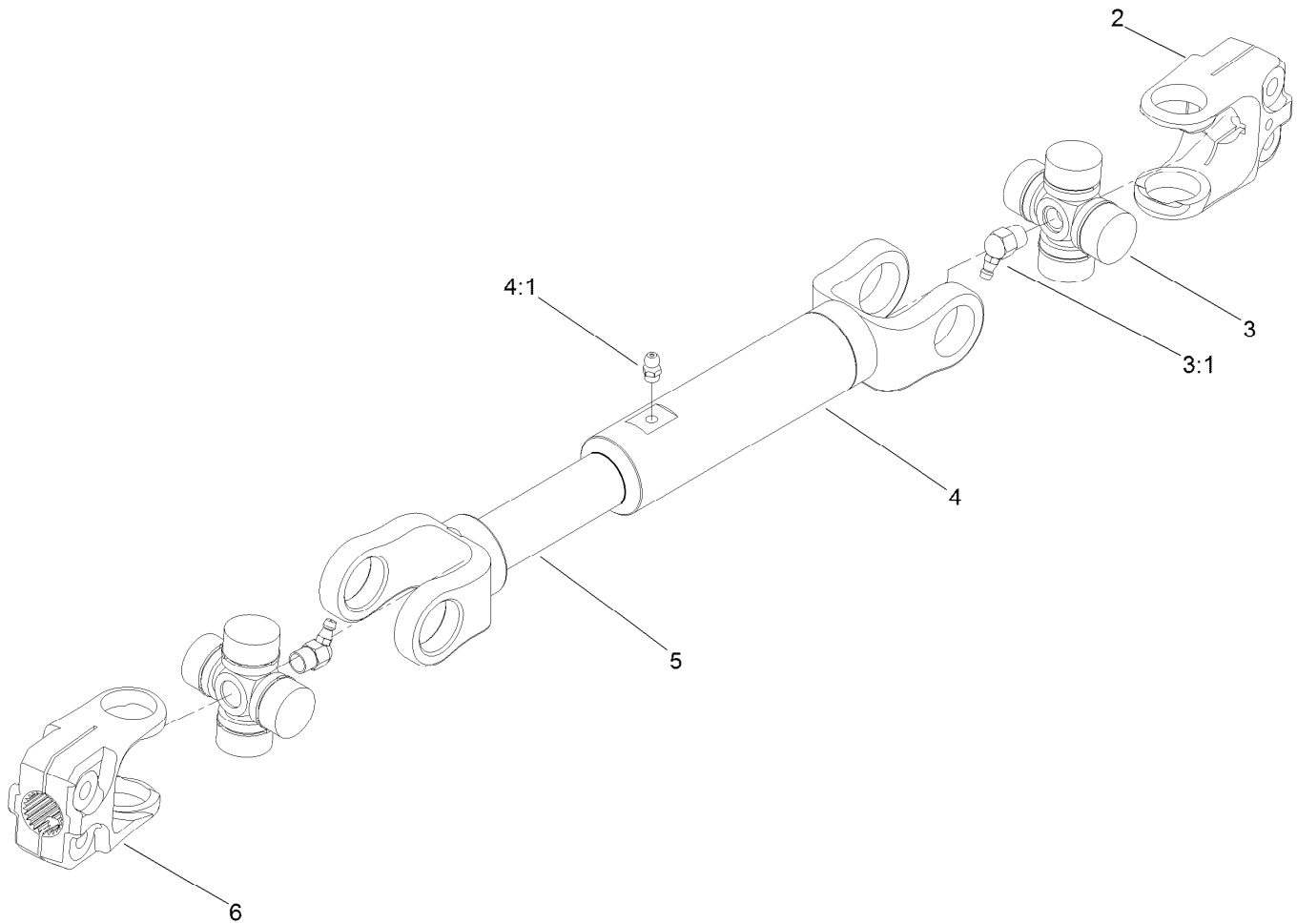
<i>Ref.</i>	<i>Part Number</i>	<i>Qty.</i>	<i>Description</i>	<i>Ref.</i>	<i>Part Number</i>	<i>Qty.</i>	<i>Description</i>
2	114-0284	1	Grommet	6	137-4127	1	Cap-Fuel
3	114-0285	1	Valve-Rollover	7	119-0509	1	Gauge ASM
4	46-6560	1	Bushing	7:2	119-0508	1	Seal
5	115-9044	1	Pipe-Stand				

Driveshaft Connection Assembly



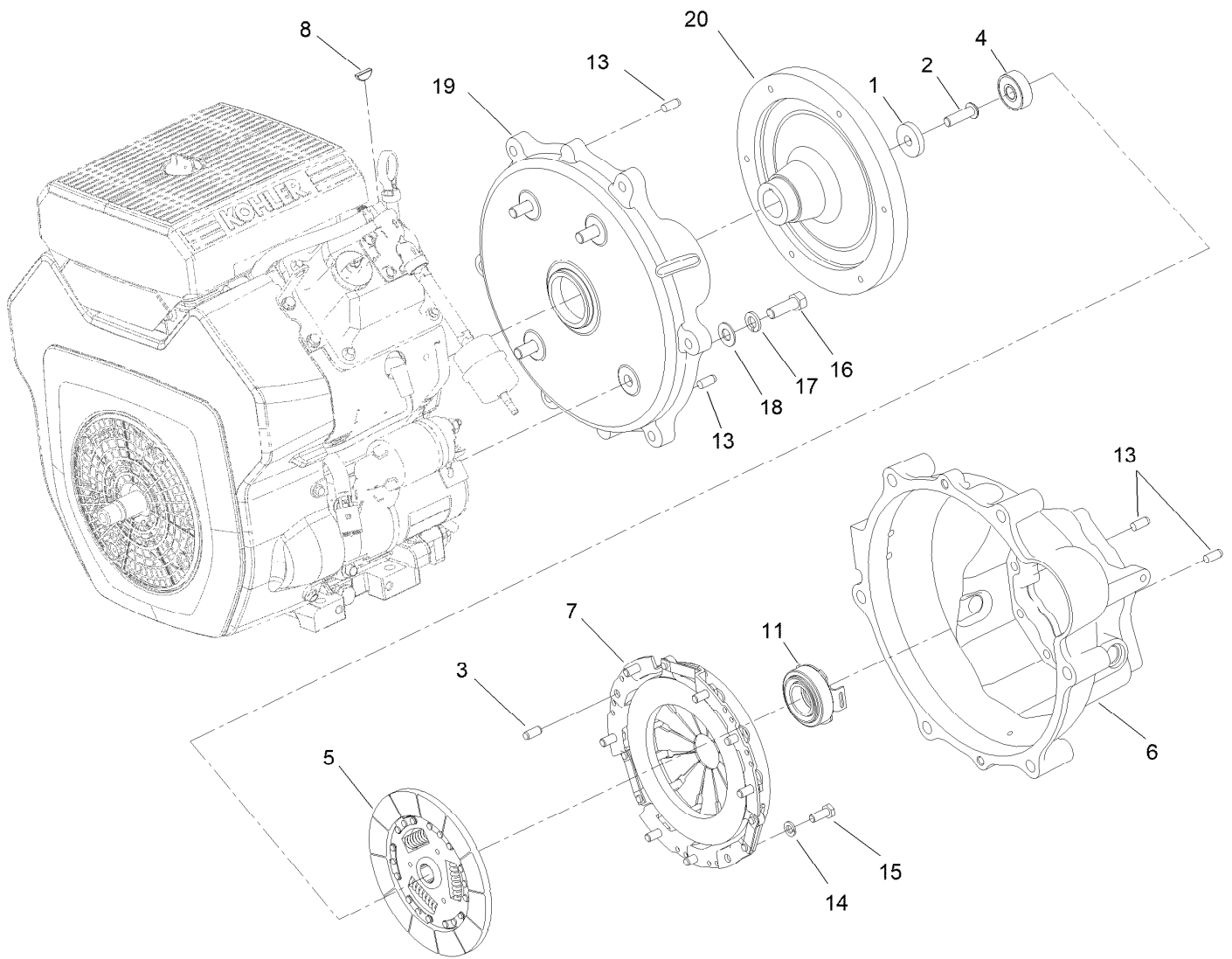
Driveshaft Connection Assembly (continued)

<i>Ref.</i>	<i>Part Number</i>	<i>Qty.</i>	<i>Description</i>	<i>Ref.</i>	<i>Part Number</i>	<i>Qty.</i>	<i>Description</i>
4	107-7983	6	Screw-HH	16	68-9950	1	Spring-Traction
5	2411-33	1	Balljoint-RH (W/Grommet)	20	163-2958-0P	1	Clutch-Cable Mount, ASM [primed]
6	3296-4	1	Nut-Lock	21	100-1424	1	Clamp-R
7	119-6040	1	Driveshaft ASM	22	3245-32	1	Screw-HSH
8	322-8	4	Screw-HH	23	92-0049	1	Key-Square
9	3296-29	4	Nut-Lock, NI				



Driveshaft Assembly No. 119-6040

<i>Ref.</i>	<i>Part Number</i>	<i>Qty.</i>	<i>Description</i>
2	100-8633	1	Yoke-Keyed
3	54-9180	2	U-Joint Kit
3:1	62-3820	1	Fitting-Grease
4	110-4706	1	Tube-Yoke, Slip
4:1	302-58	1	Fitting-Straight
5	110-4705	1	Shaft-Yoke, Slip
6	100-8632	1	Yoke-Splined



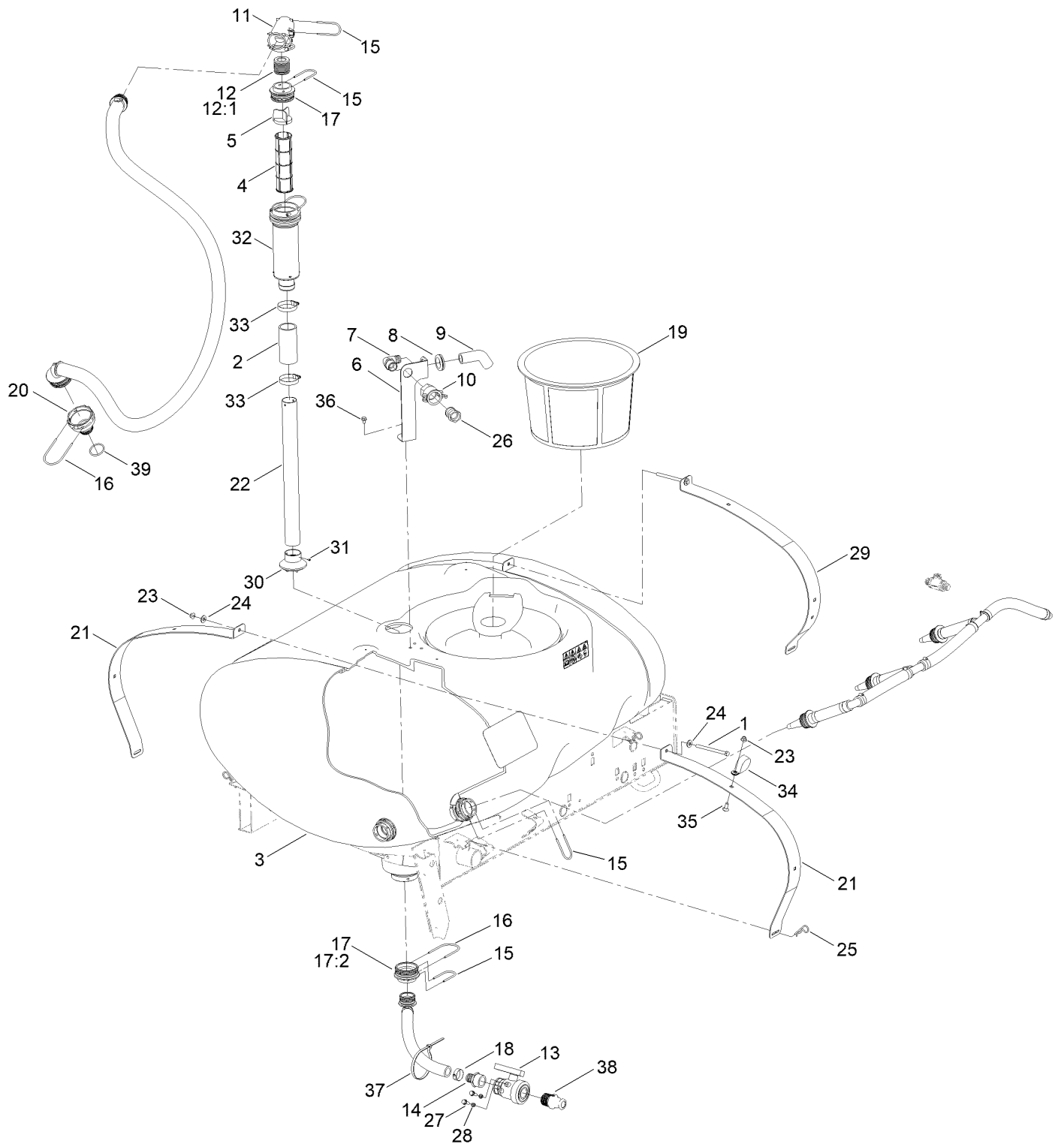
Clutch and Bell Housing Assembly

Ref.	Part Number	Qty.	Description
1	87-6080	1	Washer
2	3274-1	1	Screw-HSH
3	42-7160	3	Pin
4	87-6460	1	Bearing-Ball (W/Seal)
5	98-2959	1	Disc-Clutch
6		1	Bell Housing ASM ●
7	98-2958	1	Cover-Clutch
8	3257-5	1	Key-Woodruff
11	110-2538	1	Bearing-Release, Clutch

Ref.	Part Number	Qty.	Description
13	87-1910	2	Pin-Dowel
14	3253-4	6	Washer-Lock
15	33114-020	6	Screw-HH
16	324-5	4	Screw-HH
17	3253-6	4	Washer-Lock
18	3256-25	4	Washer-Flat
19	107-7991	1	Adapter-Clutch
20	87-6480	1	Flywheel

● Not serviced separately

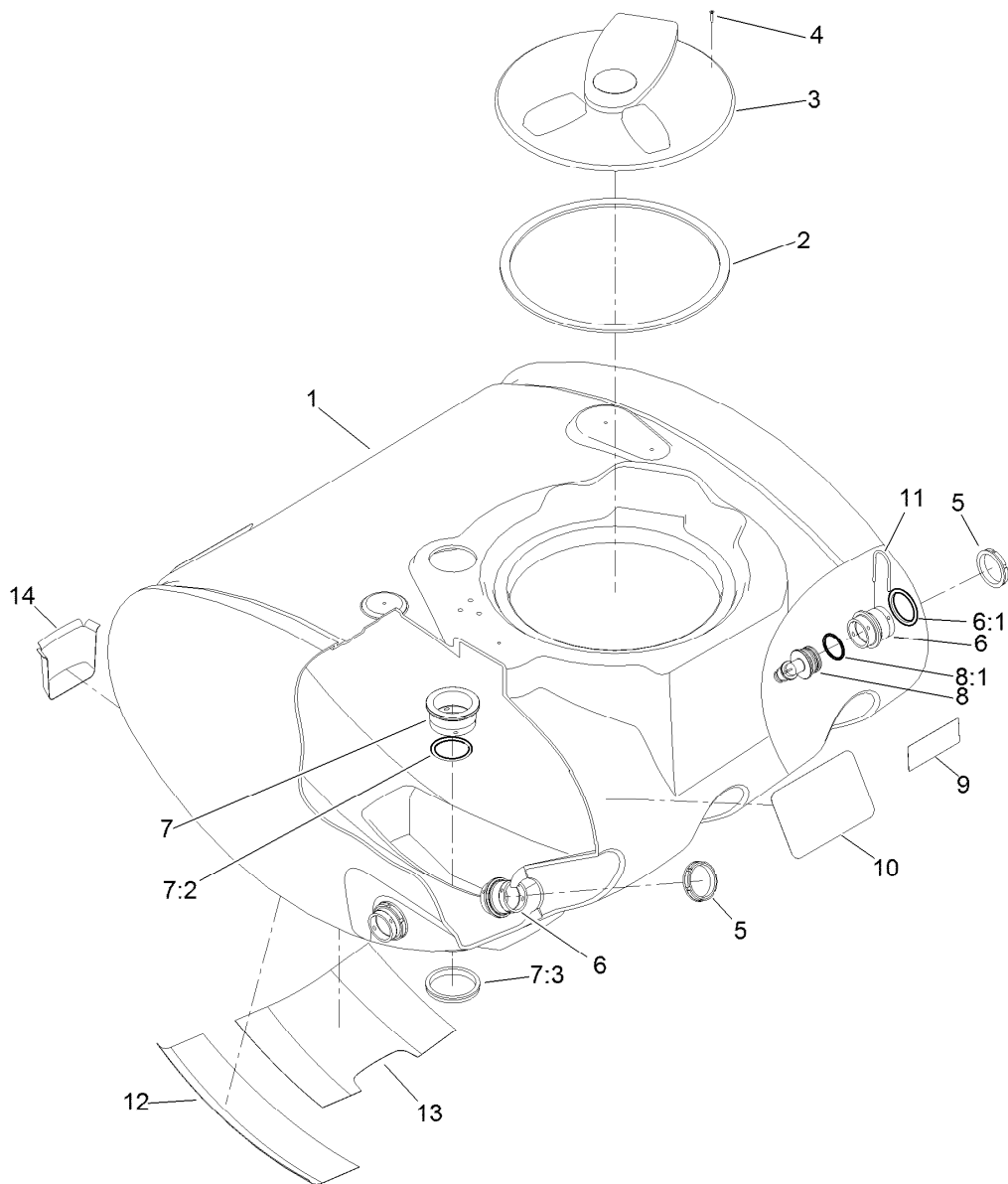
Spray Tank Valve Assembly



Spray Tank Valve Assembly (continued)

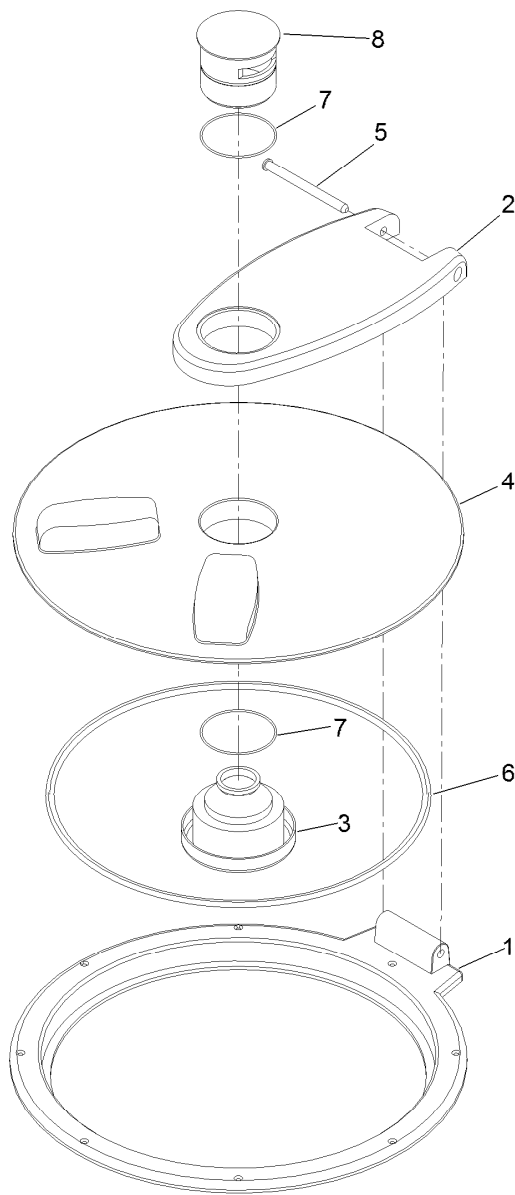
<i>Ref.</i>	<i>Part Number</i>	<i>Qty.</i>	<i>Description</i>	<i>Ref.</i>	<i>Part Number</i>	<i>Qty.</i>	<i>Description</i>
1	323-59	2	Bolt-Cap	20	133-2883	1	Fitting
2	100-8649	1	Hose-Suction	21	121-6477-03	2	Band-Tank
3	121-6491	1	Tank ASM	22	125-7997	1	Tube-Suction
4	100-8642	1	Screen-Suction	23	119-4042	3	Nut-HF, NI
5	100-8641	1	Vane-Screen	24	3256-4	4	Washer-Flat
6	110-5082-03	1	Bracket-Anti Siphon	25	3290-343	4	Pin-Hair
7	41140	1	Elbow	26	41316	1	Adapter-Quick
8	110-5090	1	Grommet	27	3234-29	2	Screw-HHF
9	110-5088	1	Hose-Fill	28	3296-47	2	Nut-Lock,NI
10	100-6779	1	Coupling-Female	29	125-0987-03	2	Band-Tank, Rear
11	100-6704	1	Tee	30	100-6714	1	Foot-Tube, Suction
12	106-4947	1	Connector	31	108-3270	1	Screw-TAP
12:1	100-8637	2	O-Ring	32	130-7096	1	Filter ASM
13	108-0069	1	Valve-Ball	33	2412-130	2	Clamp-Hose
14	110-5224	1	Fitting-Barbed, Straight	34	114-9566	1	Clamp-R
15	100-8635	8	Fork	35	3231-2	1	Bolt-CARR
16	117-7996	2	Fork	36	3234-30	1	Screw-HHF
17	117-7928	2	Adapter ASM	37	1-809066	1	Cable Tie-Plastic
17:2	100-6989	1	O-Ring	38	132-7787	1	Coupler-Quick
18	2412-34	1	Clamp-Hose	39	133-2884	1	O-Ring
19	119-9419	1	Basket-Filter	99	133-0385	2	Screen-Teejet, 50 Mesh ●

● Not illustrated



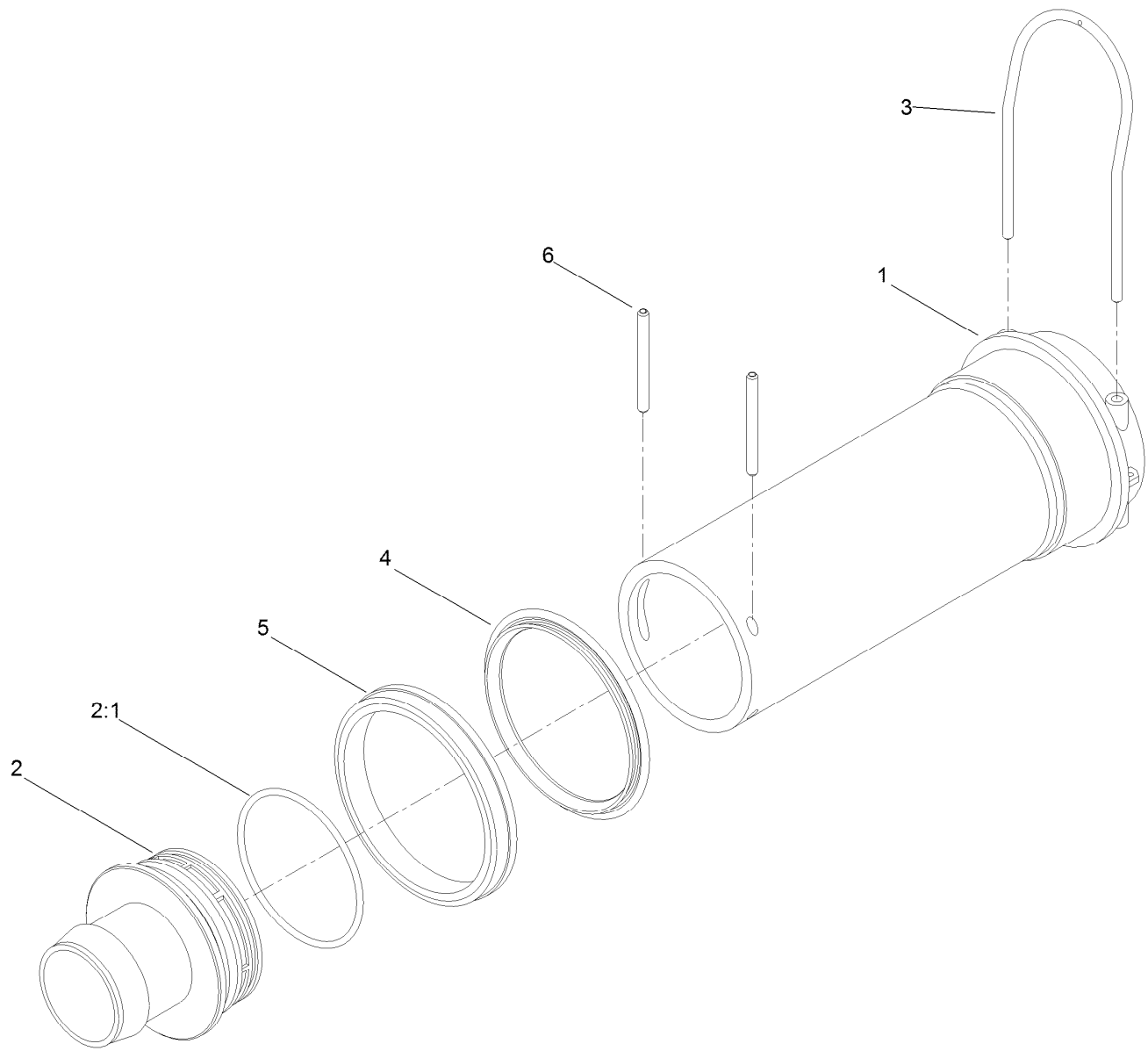
Tank Assembly No. 121-6491

<i>Ref.</i>	<i>Part Number</i>	<i>Qty.</i>	<i>Description</i>	<i>Ref.</i>	<i>Part Number</i>	<i>Qty.</i>	<i>Description</i>
1	121-6490	1	Tank-175 Gallon	7:3	100-8647	1	Nut-Bulkhead
2	119-9378	1	Gasket-Lid, Tank	8	106-4933	2	Hosebarb ASM
3	138-6283	1	Lid ASM - Sprayer Tank	8:1	100-8637	1	O-Ring
4	107-8635	8	Screw-PFH	9	120-0622	1	Decal-Warning
5	100-7051	4	Nut-Bulkhead	10	121-6486	2	Decal-Tank
6	108-3358	5	Fitting-Bulkhead	11	100-8635	2	Fork
6:1	107-2864	1	Gasket-Bulkhead	12	125-7967	1	Heat Tape-Shield, Front
7	117-7851	1	Bulkhead ASM	13	125-7968	1	Heat Tape-Shield, Side
7:2	100-8646	1	Gasket-Bulkhead	14	125-7969	1	Heat Tape-Shield, Sump



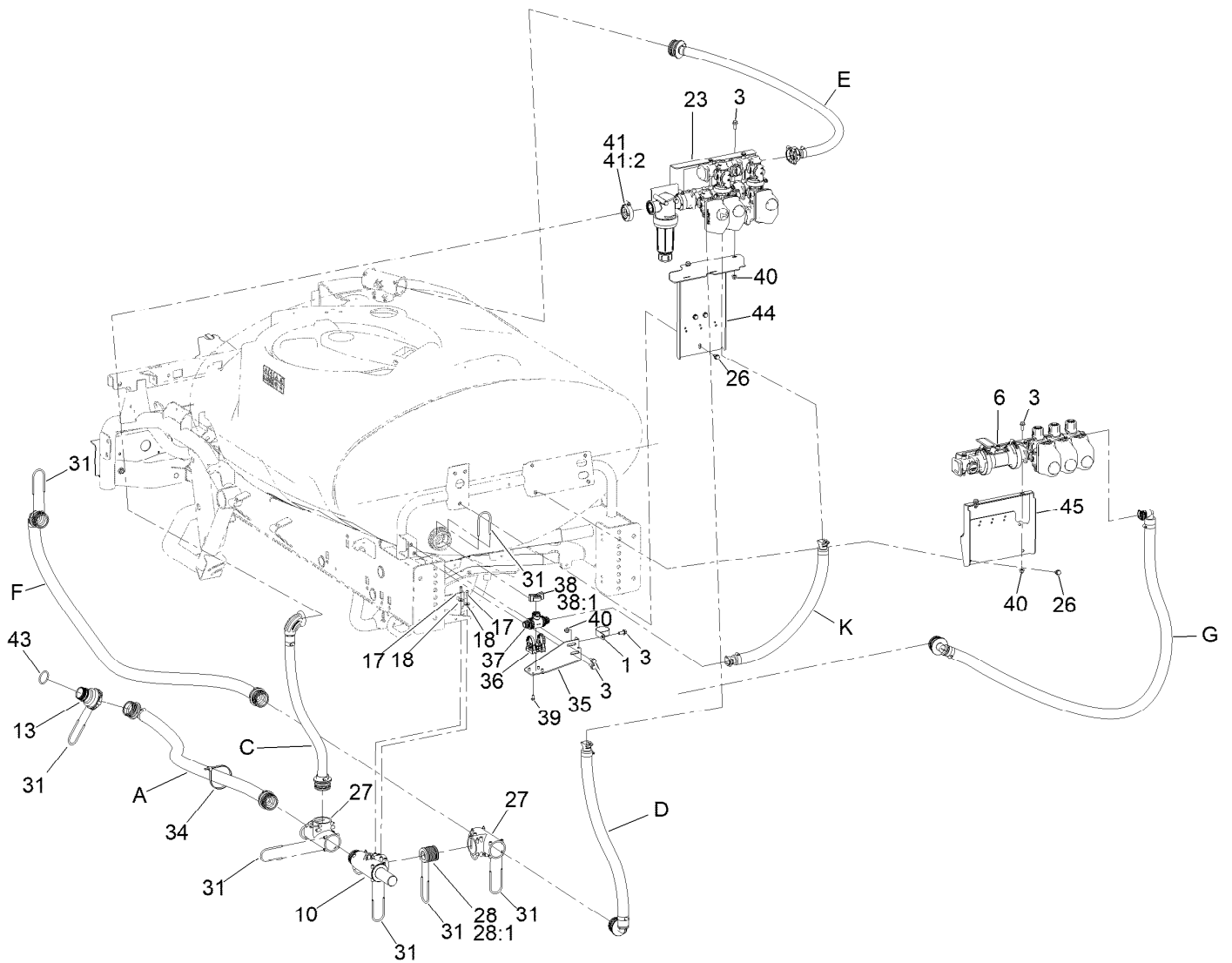
Spray Tank Lid Assembly No. 138-6283

<i>Ref.</i>	<i>Part Number</i>	<i>Qty.</i>	<i>Description</i>
1	119-9381	1	Ring-Lid
2	119-9382	1	Arm-Lid
3	119-9383	1	Vent-Lid
4	119-9384	1	Cover-Lid
5	119-9385	1	Pin-Pivot
6	138-6281	1	Seal - Tank Lid
7	119-9386	2	O-Ring
8	119-9387	1	Cap-Lid



Filter Assembly No. 130-7096

<i>Ref.</i>	<i>Part Number</i>	<i>Qty.</i>	<i>Description</i>
1	100-8643	1	Housing-Filter
2	106-4942	1	Hosebarb-Straight
2:1	100-6989	1	O-Ring
3	100-8636	1	Fork-Special
4	100-8646	1	Gasket-Bulkhead
5	100-8647	1	Nut-Bulkhead
6	100-8644	2	Pin-Expansion

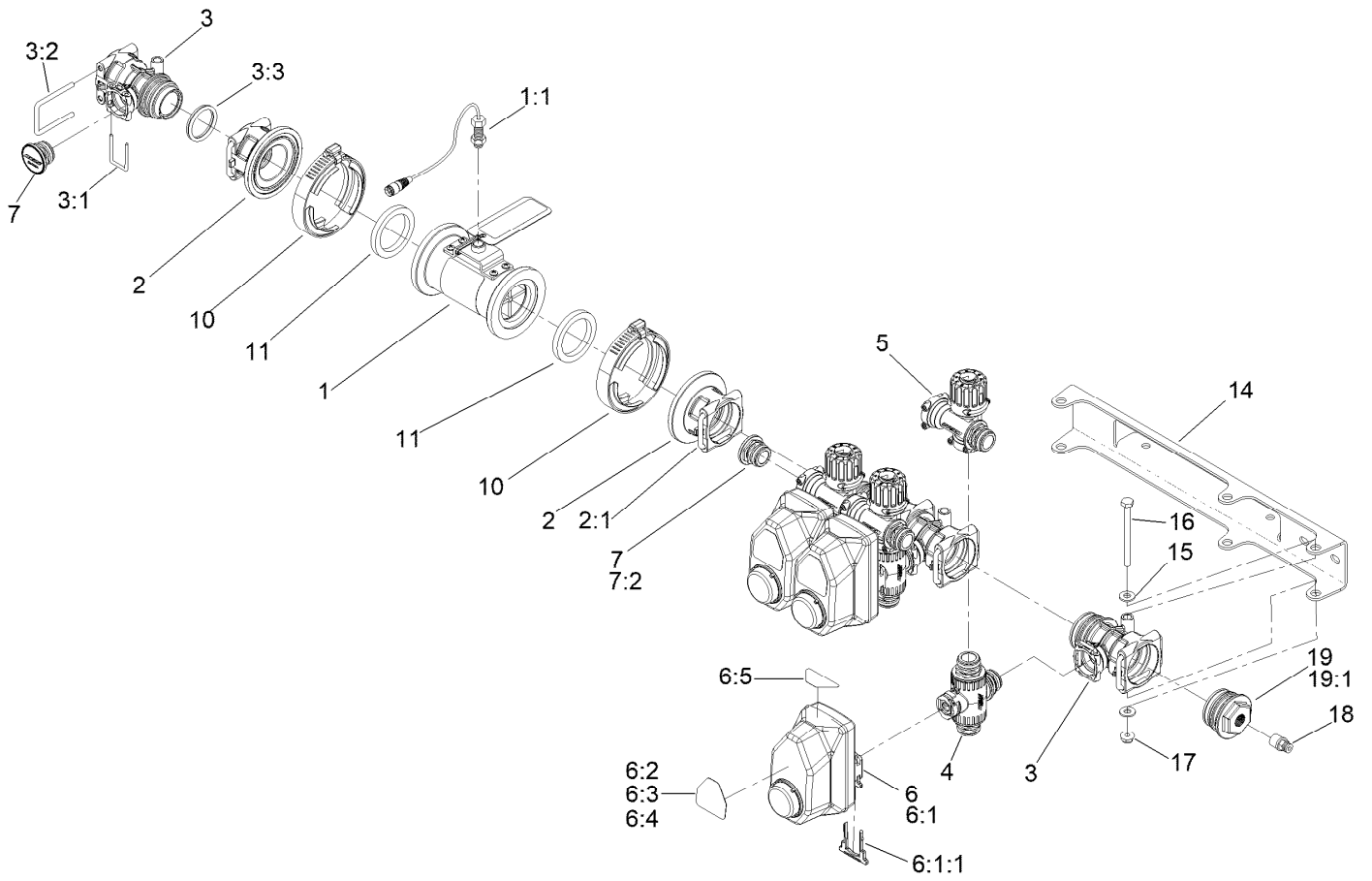


Spray Tank Valve Assembly

Ref.	Part Number	Qty.	Description	Ref.	Part Number	Qty.	Description
1	2412-147	1	Clamp-R	35	132-4318-03	1	Mount-Bracket, Agitation
3	32104-32	7	Screw-HWH	36	132-4302	1	Mount-Valve
6		1	Manifold ASM, Section ●	37	131-0249	1	On/Off 2-Way Valve Kit
10	117-7874	1	Relief Valve ASM	38	131-0264	1	Agitation Throttling Handle Kit
13	133-2881	1	Fitting	38:1	131-0263	1	Screw-Handle
17	32144-32	2	Screw-PPH	39	33113-012	4	Screw-HH
18	3256-61	2	Washer-Flat	40	119-4041	5	Nut-HF
23		1	Manifold ASM, Agitation ●	41	127-9829	1	Clamp/Gasket Kit
26	32104-32	7	Screw-HWH	41:2	127-1145	1	Gasket-Flange
27	100-6704	2	Tee	43	133-2882	1	O-Ring
28	106-4947	1	Connector	44	147-4658-03	1	Valve-Mount, ASM [black]
28:1	100-8637	2	O-Ring	45	147-4662-03	1	Agitation-Mount, ASM [black]
31	100-8635	12	Fork				
34	3334-945	3	Tie-Cable				

● Not serviced separately

Section Manifold Assembly

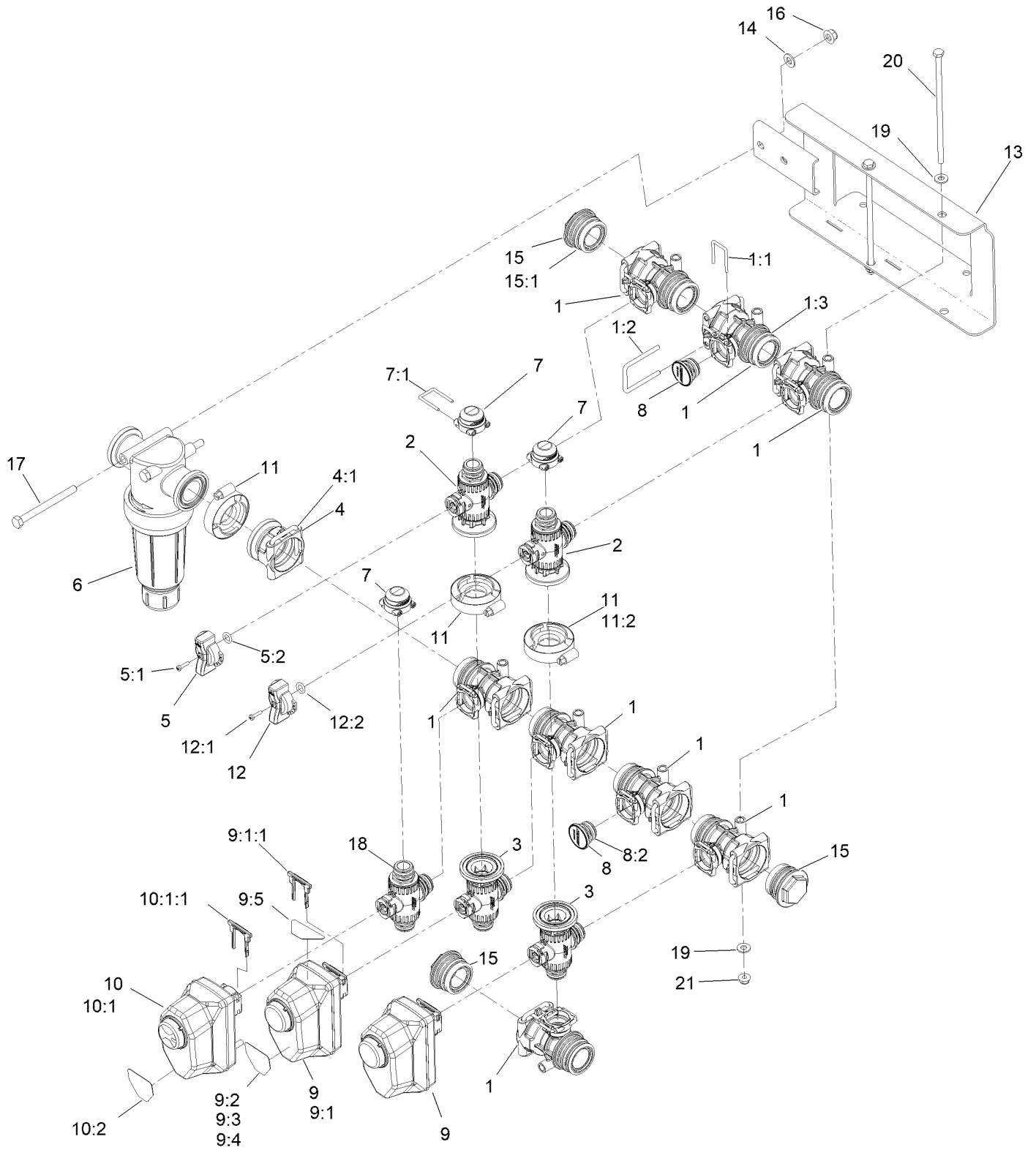


Section Manifold Assembly (continued)

<i>Ref.</i>	<i>Part Number</i>	<i>Qty.</i>	<i>Description</i>	<i>Ref.</i>	<i>Part Number</i>	<i>Qty.</i>	<i>Description</i>
1	147-4730	1	Flow Meter ASM	6:3	127-6981	1	Decal-Valve, On/Off
1:1	147-4733	1	Sensor - Flow Meter, Fm270Pif	6:4	127-6982	1	Decal-Valve, Master Boom
2	147-3197	2	Kit Qf, Flange-M200 Female	6:5	127-6976	1	Decal-Valve, Bypass Adjust
2:1	147-3186	1	Pin-Fork, Qf Large	7	127-9810	2	Male Cap Fitting Kit
3	147-3187	4	Kit-Qf, Manifold Tee	7:2	127-1187	1	O-Ring, Endcap
3:1	147-3185	1	Pin-Fork, Qf Small	10	104-9089	2	Clamp-Screw, Worm
3:2	147-3186	1	Pin-Fork, Qf Large	11	104-9090	2	Gasket
3:3	147-3188	1	Seal-Manifold, Qf Series	14	147-4659	1	Brkt-Section
4	147-3183	3	Kit-Tx2 - 3Way Manifold	15	3256-22	6	Washer-Flat
5	127-9805	3	Bypass Valve ASM	16	321-23	3	Screw-HH
6	140-7377	3	Kit-Actuator Pi, On/Off	17	104-7201	3	Nut-HF, NI
6:1		1	Actuator - On/Off ●	18	131-3709	1	Coupler
6:1:1	130-7301	1	Hairpin-Actuator	19	161-4187	1	Kit Qf, Plug-Male W/Port
6:2	127-6979	1	Decal-Valve, Agitation	19:1	147-3188	1	Seal-Manifold, Qf Series

● Not serviced separately

Agitation Manifold Assembly

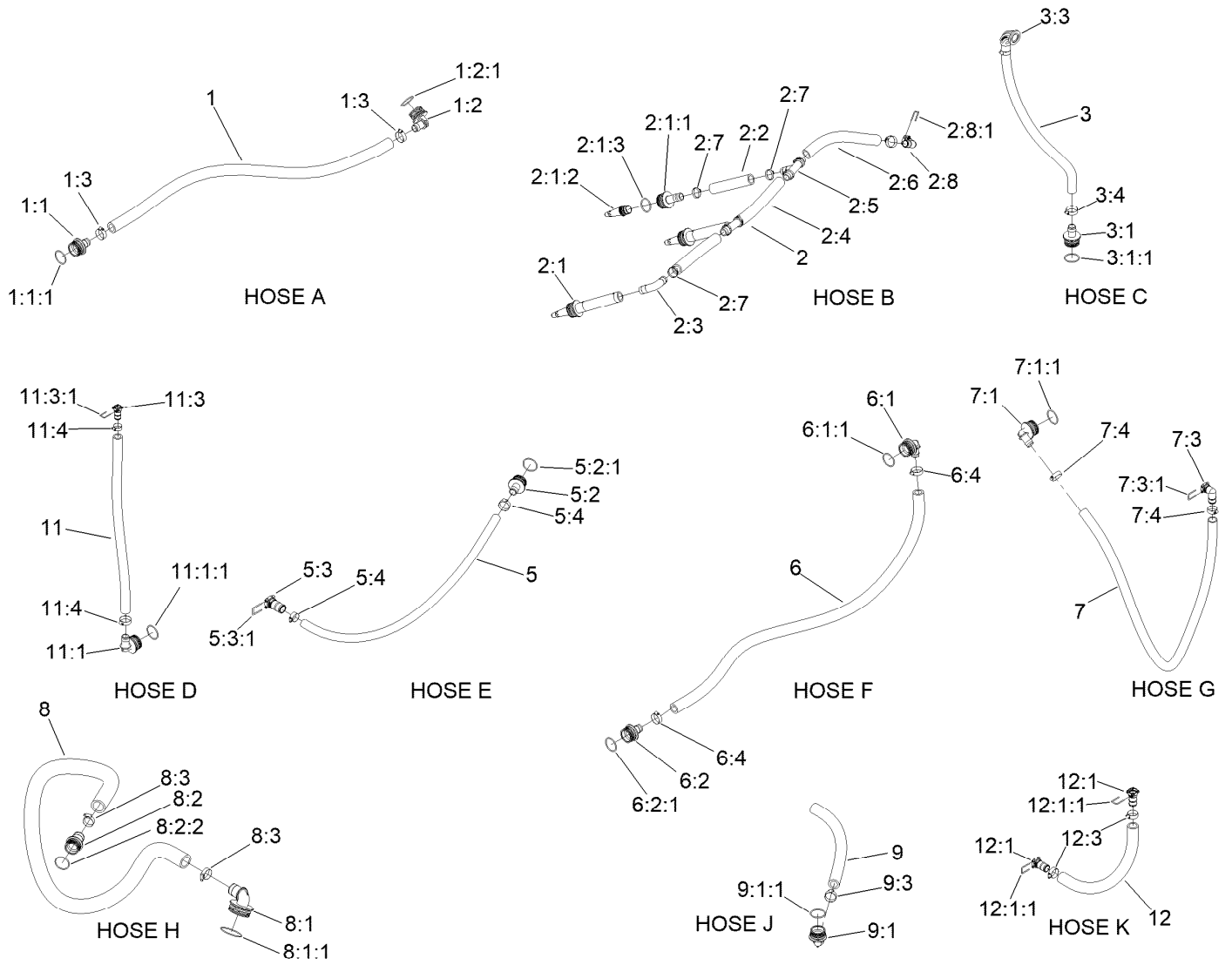


Agitation Manifold Assembly (continued)

<i>Ref.</i>	<i>Part Number</i>	<i>Qty.</i>	<i>Description</i>	<i>Ref.</i>	<i>Part Number</i>	<i>Qty.</i>	<i>Description</i>
1	147-3187	8	Kit-Qf, Manifold Tee	9:4	127-6982	1	Decal-Valve, Master Boom
1:1	147-3185	1	Pin-Fork, Qf Small	9:5	127-6976	1	Decal-Valve, Bypass Adjust
1:2	147-3186	1	Pin-Fork, Qf Large	10	144-6163	1	Kit-Actuator Regulating Pi
1:3	147-3188	1	Seal-Manifold, Qf Series	10:1		1	Actuator-Regulating Pi ●
2	161-4110	2	Kit-Tx2 Manifold Valve, Reg	10:1:1	130-7301	1	Hairpin-Actuator
3	147-3192	2	Kit-Tx2, 3Way Flange Manifold	10:2	127-6984	1	Decal-Valve, Regulating
4	147-3189	1	Kit-Qf, Flange-M100 Female	11	127-9829	3	Clamp/Gasket Kit
4:1	147-3186	1	Pin-Fork, Qf Large	11:2	127-1145	1	Gasket-Flange
5	131-0265	1	Agitation Regulating Handle Kit	12	131-0266	1	Master Regulating Handle Kit
5:1	131-0263	1	Screw-Handle	12:1	131-0263	1	Screw-Handle
5:2	127-1197	1	O-Ring-Stem	12:2	127-1197	1	O-Ring-Stem
6	131-3791	1	Filter-Pressure	13	161-4105	1	Agitation-Mount, ASM
7	127-9811	3	Fitting-Cap, Female	14	3256-23	2	Washer-Plain
7:1	133-0398	1	Pin-Fork	15	147-3193	3	Kit Qf, Plug-Male W/O Port
8	127-9810	2	Male Cap Fitting Kit	15:1	147-3188	1	Seal-Manifold, Qf Series
8:2	127-1187	1	O-Ring, Endcap	16	104-8300	2	Nut-HF, NI
9	140-7377	2	Kit-Actuator Pi, On/Off	17	322-22	2	Screw-HH
9:1		1	Actuator - On/Off ●	18	161-4111	1	Kit-Tx2 Manifold Qd, Reg
9:1:1	130-7301	1	Hairpin-Actuator	19	3256-22	4	Washer-Flat
9:2	127-6979	1	Decal-Valve, Agitation	20	161-4128	2	Screw-HH
9:3	127-6981	1	Decal-Valve, On/Off	21	104-7201	2	Nut-HF, NI

● Not serviced separately

Hose Assembly



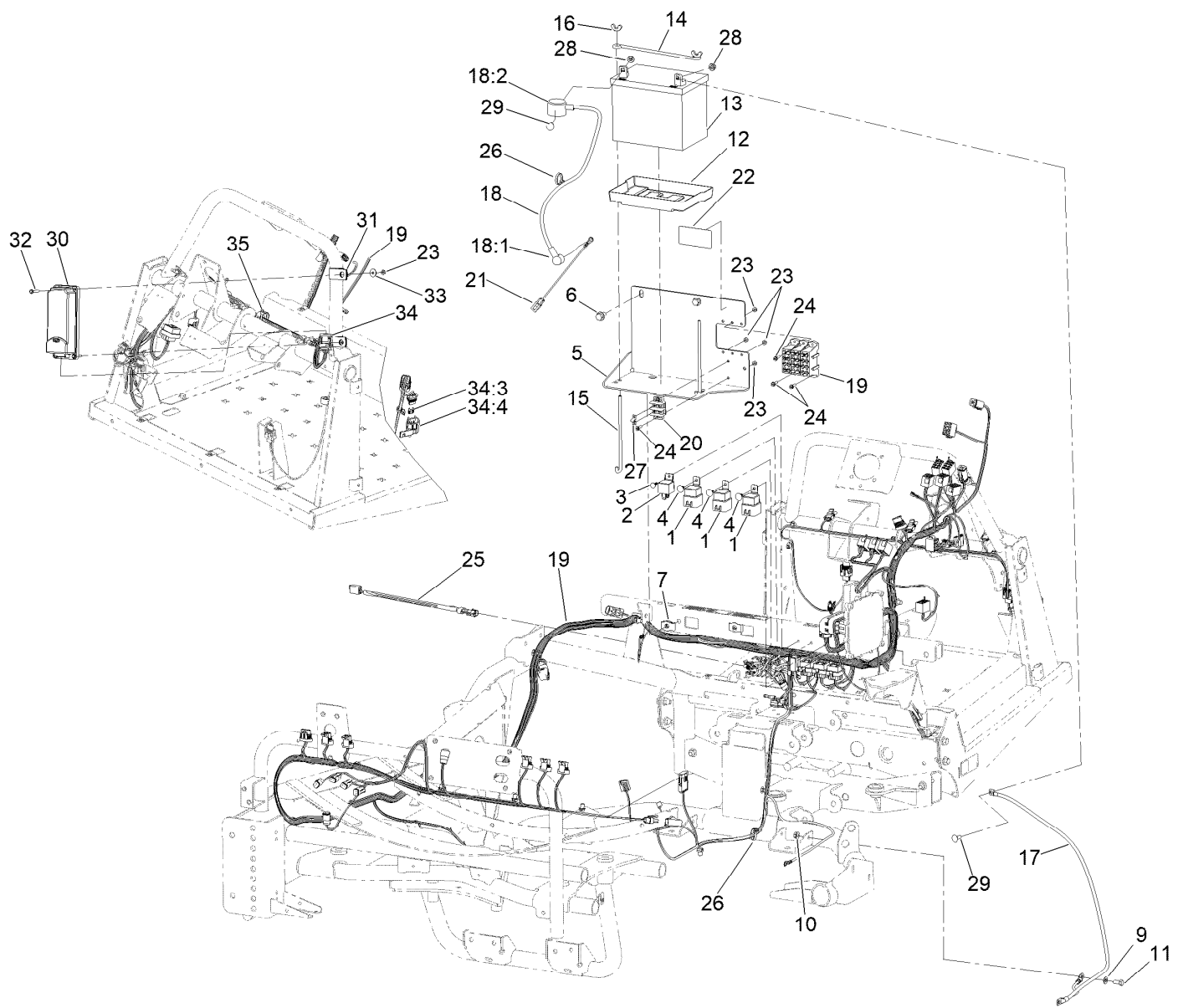
Reference Spray Tank Assembly page and Spray Tank Valve Assembly page for hose locations and orientation

Hose Assembly (continued)

<i>Ref.</i>	<i>Part Number</i>	<i>Qty.</i>	<i>Description</i>	<i>Ref.</i>	<i>Part Number</i>	<i>Qty.</i>	<i>Description</i>
1	121-6539	1	Main Supply Hose ASM	6	125-0601	1	Regulating Hose ASM
1:1	106-4932	1	Hosebarb-Straight	6:1	106-4933	1	Hosebarb ASM
1:1:1	100-8637	1	O-Ring	6:1:1	100-8637	1	O-Ring
1:2	106-4933	1	Hosebarb ASM	6:2	106-4932	1	Hosebarb-Straight
1:2:1	100-8637	1	O-Ring	6:2:1	100-8637	1	O-Ring
1:3	2412-34	2	Clamp-Hose	6:4	2412-34	2	Clamp-Hose
2	139-3094	1	Hose-Agitation, ASM	7	132-4315	1	Hose-Bypass
2:1	131-3731	3	Agitation Nozzle ASM	7:1	106-4933	1	Hosebarb ASM
2:1:1	131-3732	1	Fitting-Barb	7:1:1	100-8637	1	O-Ring
2:1:2	120-8579	1	Nozzle-Agitation	7:3	131-0213	1	90 DEG Barb Fitting Kit
2:1:3	121-4996	1	O-Ring	7:3:1	133-0398	1	Pin-Fork
2:2	125-0665	3	Nozzle-Hose, Agitation	7:4	2412-34	2	Clamp-Hose
2:3	117-7867	1	Elbow-Hosebarb	8	125-0603	1	Top Suction Hose ASM
2:4	125-0664	2	Tee-Hose, Agitation	8:1	106-4952	1	Hosebarb-90 DEG
2:5	117-7866	2	Tee-Hosebarb	8:1:1	100-6989	1	O-Ring
2:6	132-4311	1	Hose-Agitation	8:2	117-7982	1	Hosebarb ASM
2:7	2412-34	12	Clamp-Hose	8:2:2	100-8637	1	O-Ring
2:8	131-0213	1	90 DEG Barb Fitting Kit	8:3	41327	2	Clamp-Hose
2:8:1	133-0398	1	Pin-Fork	9	125-0647	1	Drain Hose ASM
3	132-4314	1	Hose-Supply	9:1	106-4933	1	Hosebarb ASM
3:1	106-4932	1	Hosebarb-Straight	9:1:1	100-8637	1	O-Ring
3:1:1	100-8637	1	O-Ring	9:3	2412-34	1	Clamp-Hose
3:3	131-0241	1	Fitting-Elb 90	11	132-4316	1	Hose-Regulating
3:4	2412-34	2	Clamp-Hose	11:1	106-4933	1	Hosebarb ASM
5		1	Hose ASM, Agitation Bypass	11:1:1	100-8637	1	O-Ring
			●	11:3	127-9806	1	Fitting Kit
5:2	106-4932	1	Hosebarb-Straight	11:3:1	133-0398	1	Pin-Fork
5:2:1	100-8637	1	O-Ring	11:4	2412-34	2	Clamp-Hose
5:3	161-4117	1	Kit-Fitting, Qf 1" Barb Female	12	132-4319	1	Hose-Regulating
5:3:1	147-3186	1	Pin-Fork, Qf Large	12:1	127-9806	2	Fitting Kit
5:4	2412-34	2	Clamp-Hose	12:1:1	133-0398	1	Pin-Fork
				12:3	2412-34	2	Clamp-Hose

● Not serviced separately

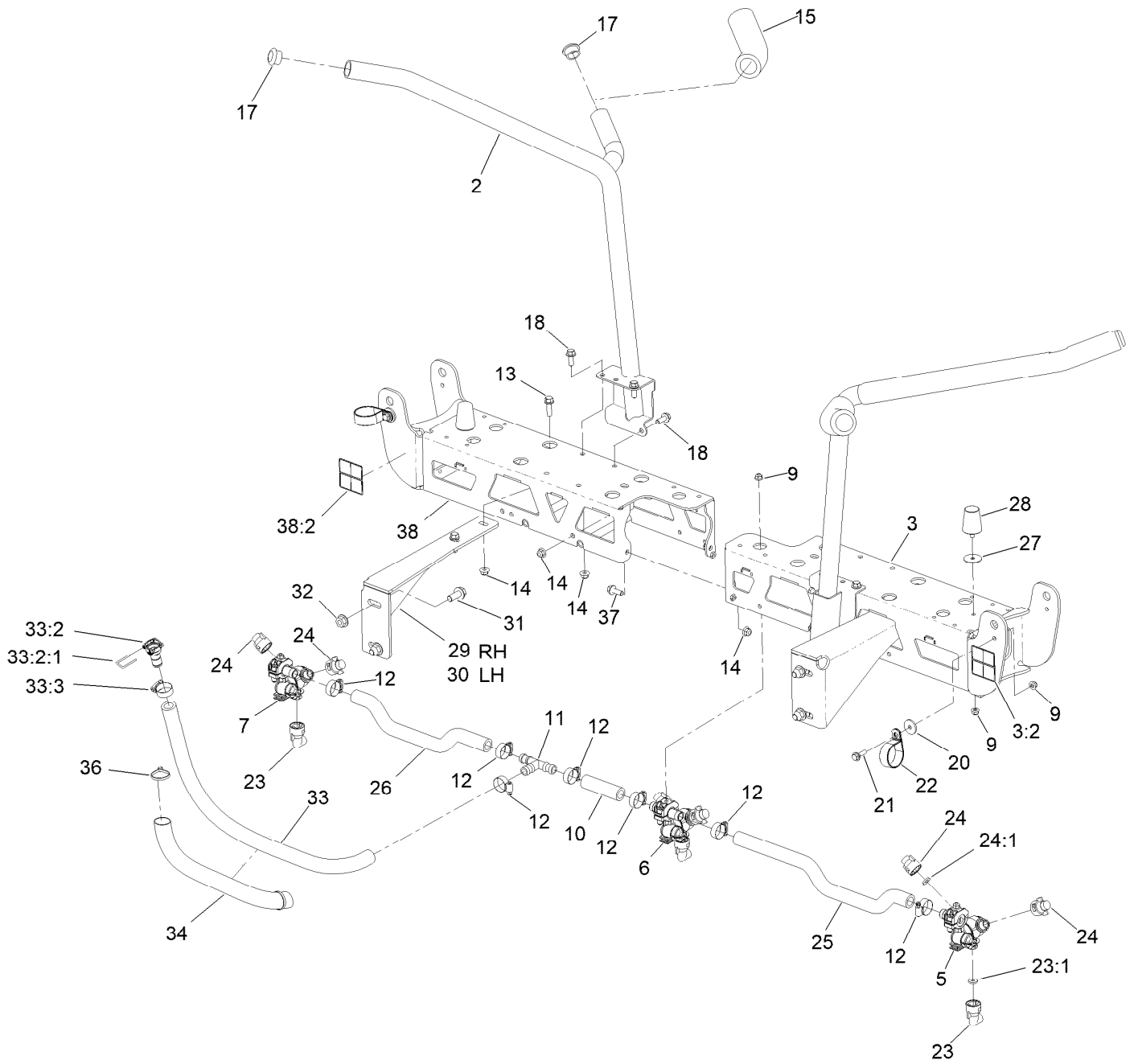
Main Wiring Harness and Battery Assembly



Main Wiring Harness and Battery Assembly (continued)

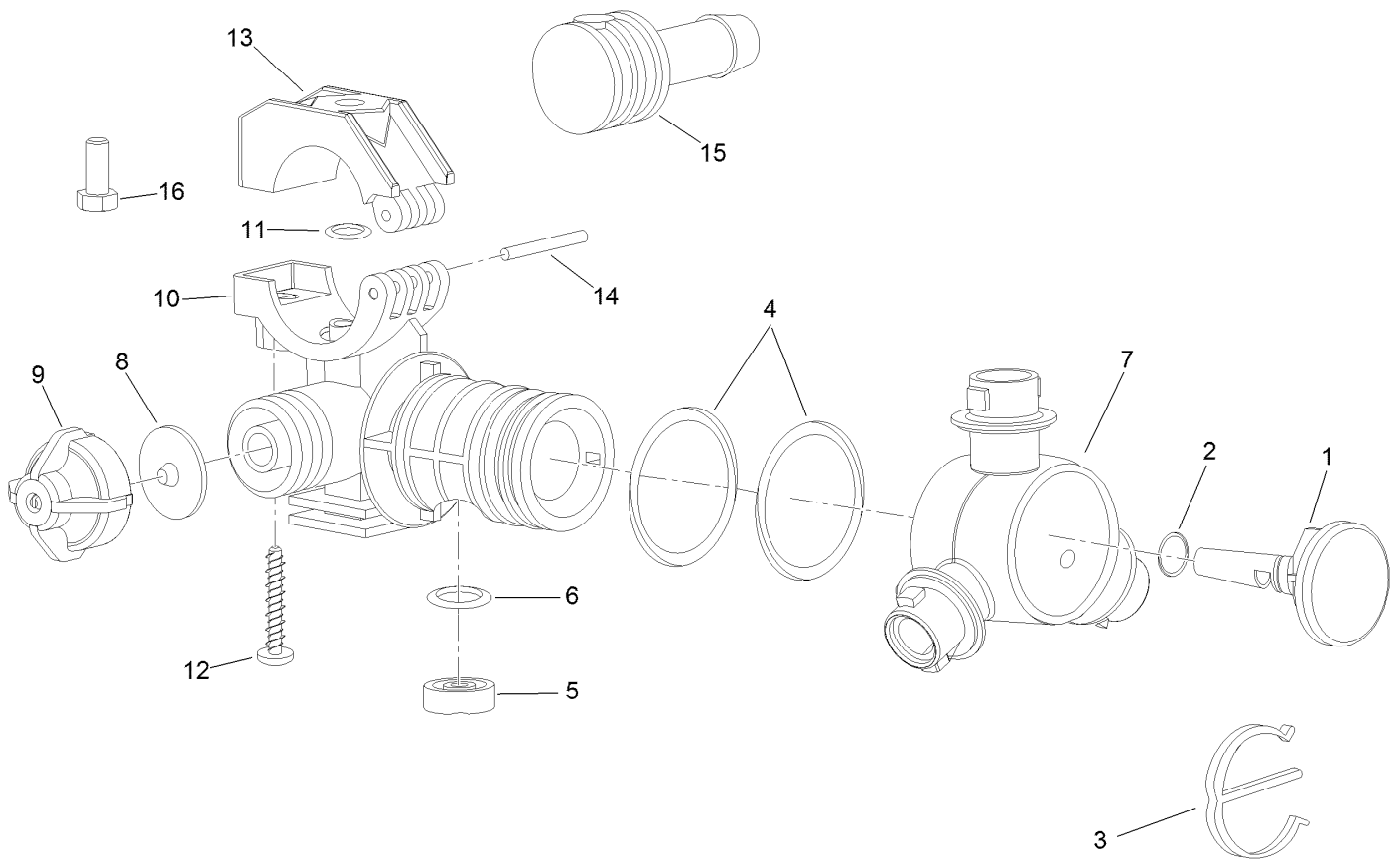
<i>Ref.</i>	<i>Part Number</i>	<i>Qty.</i>	<i>Description</i>	<i>Ref.</i>	<i>Part Number</i>	<i>Qty.</i>	<i>Description</i>
1	99-7430	3	Relay-Mini	19	122-4312	1	Harness-Wire Mp1750
2	99-7435	1	Relay	20	42862	1	Block-Terminal, Ground
3	125-8067	1	Plug-Plastic	21	108-9455	1	Harness-Wire, Fusible Link
4	117-2382	3	Plug-Plastic	22	144-6007	1	Decal - Fuse Block
5	125-0908-0P	1	Base - Battery	23	3296-2	7	Nut-Lock, NI
6	3234-11	2	Screw-HHF	24	32105-13	5	Screw-HWH
7	105-4886	2	Nut-Tinnerman	25	108-8657	1	Harness-Wire, Seat
9	3256-23	1	Washer-Plain	26	3290-379	2	Tie-Cable
10	32128-25	1	Nut-HF	27	42863	1	Strip-Jumper
11	322-3	1	Screw-HH	28	119-4041	2	Nut-HF
12	106948	1	Tray-Battery	29	3230-1	2	Bolt-CARR
13	104-8162	1	Battery	30	161-9001	1	Gateway-Telematics
14	100-6434	1	Rod-Hold Down, Battery	31	2412-82	2	Clamp-R
15	100-6435	2	Post-Battery	32	131-6456	2	Screw-HWH
16	1-543792	2	Wingnut	33	3256-61	2	Washer-Flat
17	122-0137	1	Cable-Battery, Negative	34	122-2164	1	Harness-Wire
18	109-7621	1	Positive Battery Cable ASM	34:3	121-8861	1	Fuse-Mini Blade, 2 Amp
18:1	1-543393	1	Insulator-Solenoid	34:4	32180-101	1	Cover-Fuse, Single
18:2	109-2407	1	Insulator-Battery	35	3290-378	11	Tie-Cable

Center Boom Mount Assembly



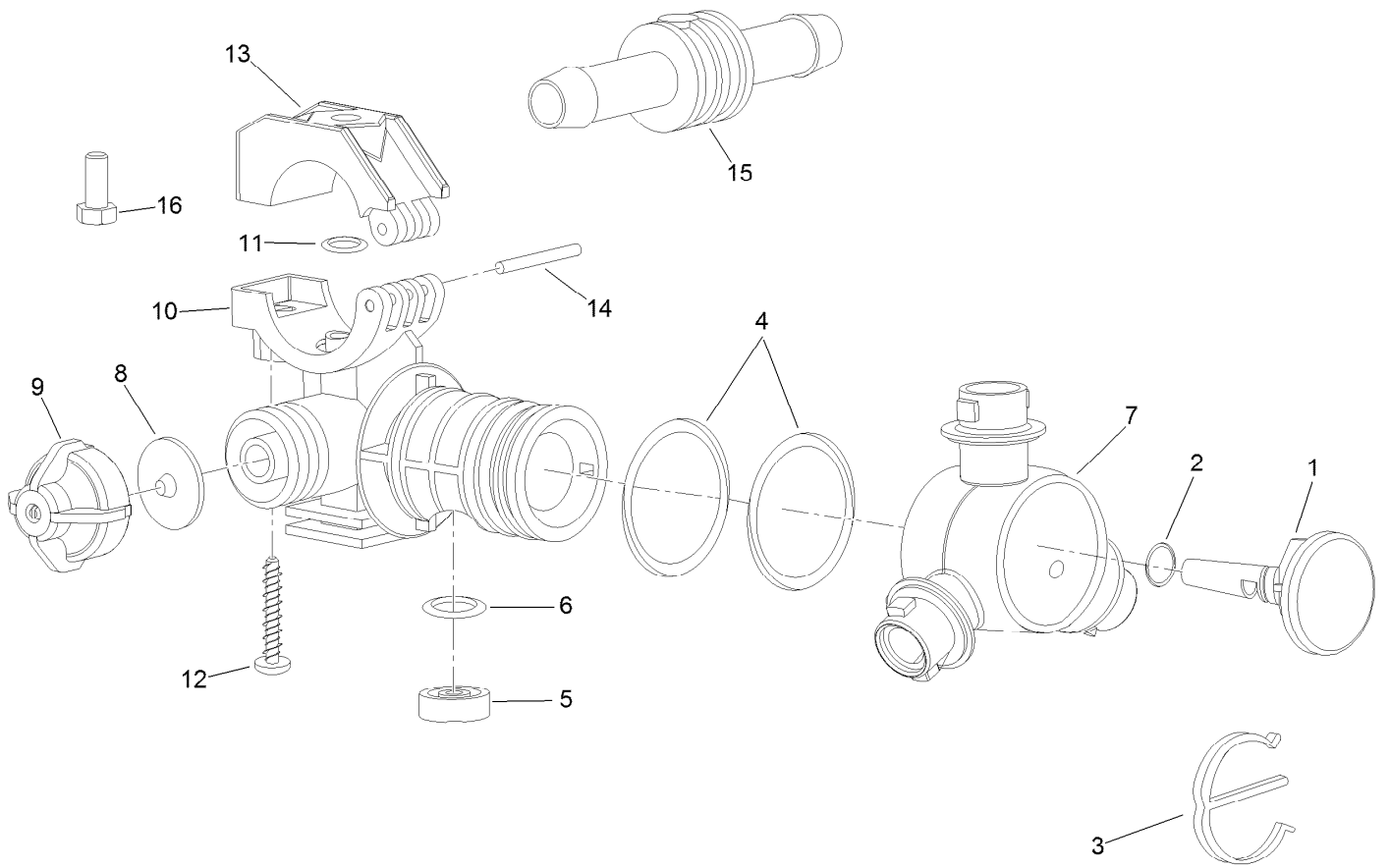
Center Boom Mount Assembly (continued)

<i>Ref.</i>	<i>Part Number</i>	<i>Qty.</i>	<i>Description</i>	<i>Ref.</i>	<i>Part Number</i>	<i>Qty.</i>	<i>Description</i>
2	161-4174	2	Cradle ASM	24	95-9187	6	Cap-Blank
3	136-0381	1	Boom-LH	24:1	40998	1	Seat-Gasket
3:2	120-0617	2	Decal-Warning, Pinch, Crush	25	108-3735	1	Hose-Boom, Center (LH)
5	108-3725	1	LH Single Body Turret ASM	26	108-3718	1	Hose-Boom, Center (RH)
6	108-3727	1	Double Turret Body ASM	27	3256-68	2	Washer-Flat
7	108-3726	1	RH Single Body Turret ASM	28	110-5070	2	Bumper
9	119-4041	7	Nut-HF	29	130-8244-03	1	Mount-Boom, RH
10	108-3717	1	Hose-Boom	30	130-8245-03	1	Mount-Boom, LH
11	108-3439	1	Tee	31	110-5057	4	Capscrew-HHF
12	2412-129	7	Clamp-Hose	32	139-1689	4	Nut-HF
13	110-5050	4	Screw-HHF	33	132-4323	1	Hose-Boom, Center
14	119-4042	12	Nut-HF, NI	33:2	127-9807	1	Straight Fitting Kit
15	108-3457	2	Spacer	33:2:1	133-0398	1	Pin-Fork
17	108-3489	4	Cap-Tube	33:3	2412-129	1	Clamp-Hose
18	110-5052	6	Screw-HHF	34	127-3923	1	Conduit-Convolutd
20	108-3743	2	Washer	36	3290-378	2	Tie-Cable
21	108-3744	2	Screw-Shoulder	37	3234-42	2	Screw-HHF
22	114-9566	2	Clamp-R	38	136-0382	1	Boom-RH
23	95-9186	3	Cap	38:2	120-0617	2	Decal-Warning, Pinch, Crush
23:1	40998	1	Seat-Gasket				



LH Single Turret Body Assembly No. 108-3725

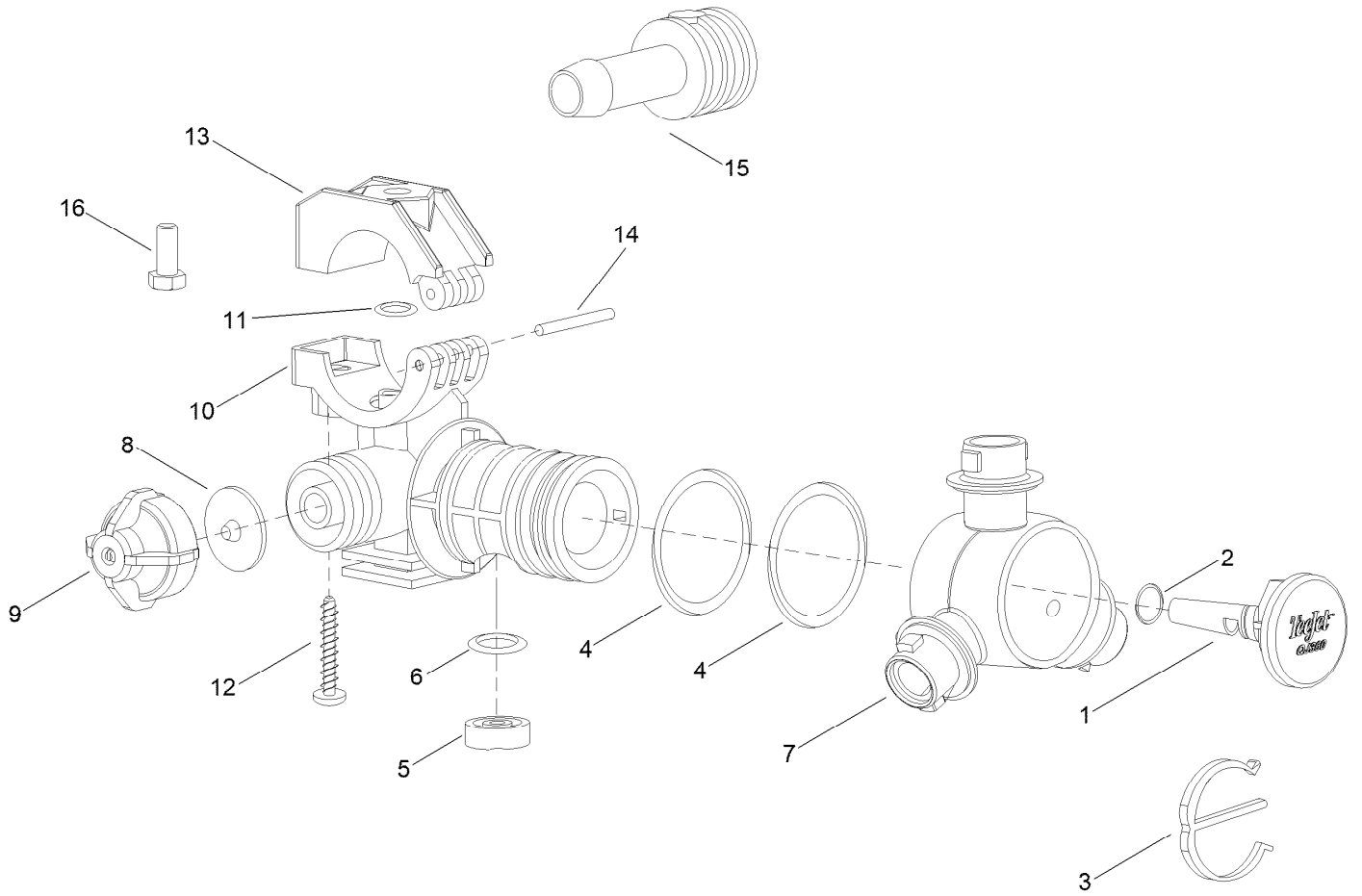
<i>Ref.</i>	<i>Part Number</i>	<i>Qty.</i>	<i>Description</i>	<i>Ref.</i>	<i>Part Number</i>	<i>Qty.</i>	<i>Description</i>
1	95-9200	1	Plug	9	95-9193	1	Cap-Diaphragm
2	95-9198	1	O-Ring	10	95-9192	1	Body-Split Eyelet
3	95-9197	1	E-Clip	11	95-9191	1	O-Ring
4	95-9199	2	O-Ring	12	99-0811	1	Screw-Clamp
5	108-3264	1	Seal-Viton	13	99-0812	1	Clamp-Upper
6	108-3265	1	O-Ring-Viton	14	99-0814	1	Pin-Pivot
7	95-9196	1	Turret	15	95-9201	1	Shank-Hose
8	41003	1	Diaphragm	16	322-3	1	Screw-HH



Double Turret Body Assembly No. 108-3727

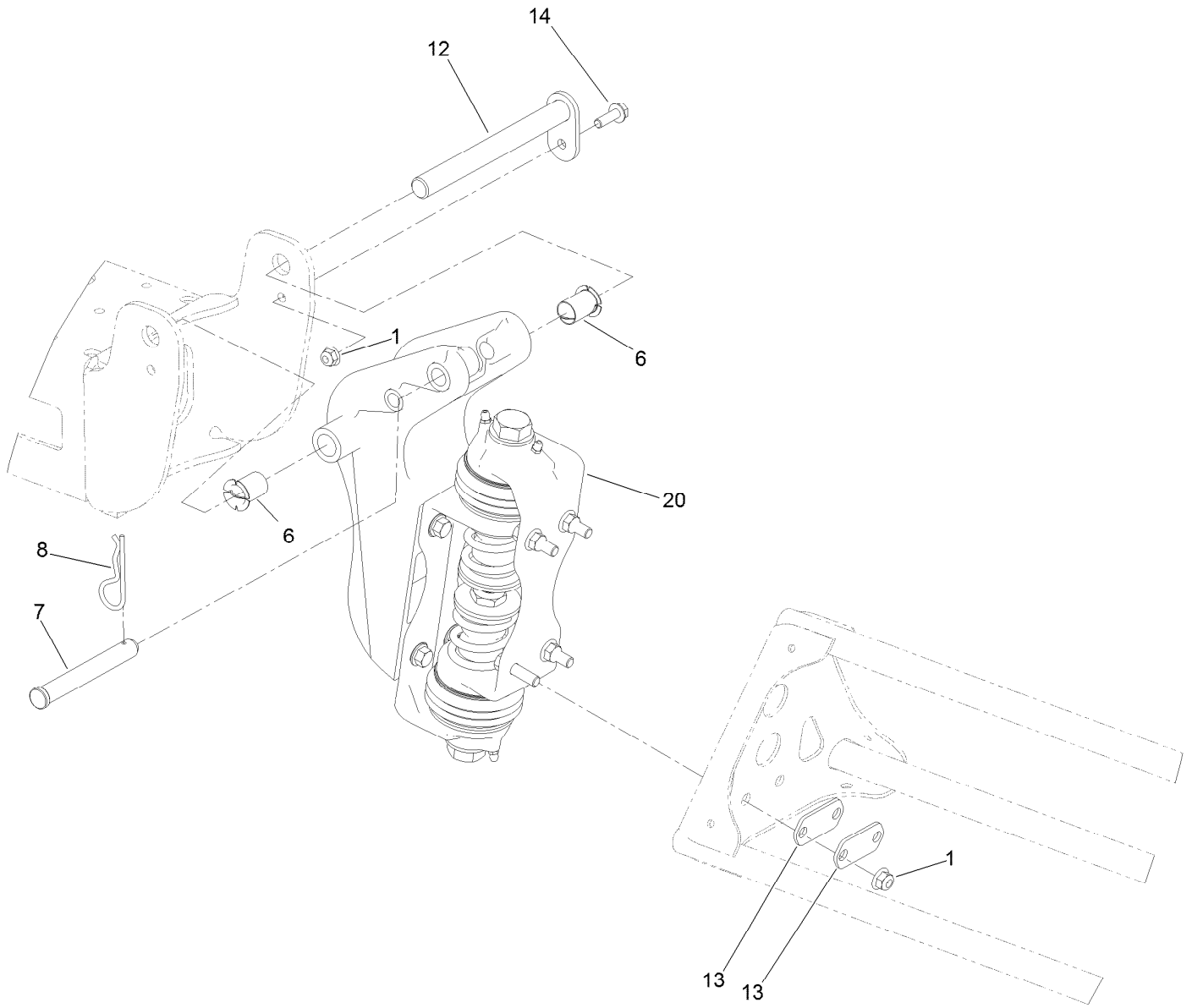
<i>Ref.</i>	<i>Part Number</i>	<i>Qty.</i>	<i>Description</i>	<i>Ref.</i>	<i>Part Number</i>	<i>Qty.</i>	<i>Description</i>
1	95-9200	1	Plug	9	95-9193	1	Cap-Diaphragm
2	95-9198	1	O-Ring	10	95-9192	1	Body-Split Eyelet
3	95-9197	1	E-Clip	11	95-9191	1	O-Ring
4	95-9199	2	O-Ring	12	99-0811	1	Screw-Clamp
5	108-3264	1	Seal-Viton	13	99-0812	1	Clamp-Upper
6	108-3265	1	O-Ring-Viton	14	99-0814	1	Pin-Pivot
7	95-9196	1	Turret	15	95-9202	1	Shank-Hose
8	41003	1	Diaphragm	16	322-3	1	Screw-HH

RH Single Body Turret Assembly No. 108-3726



RH Single Body Turret Assembly No. 108-3726 (continued)

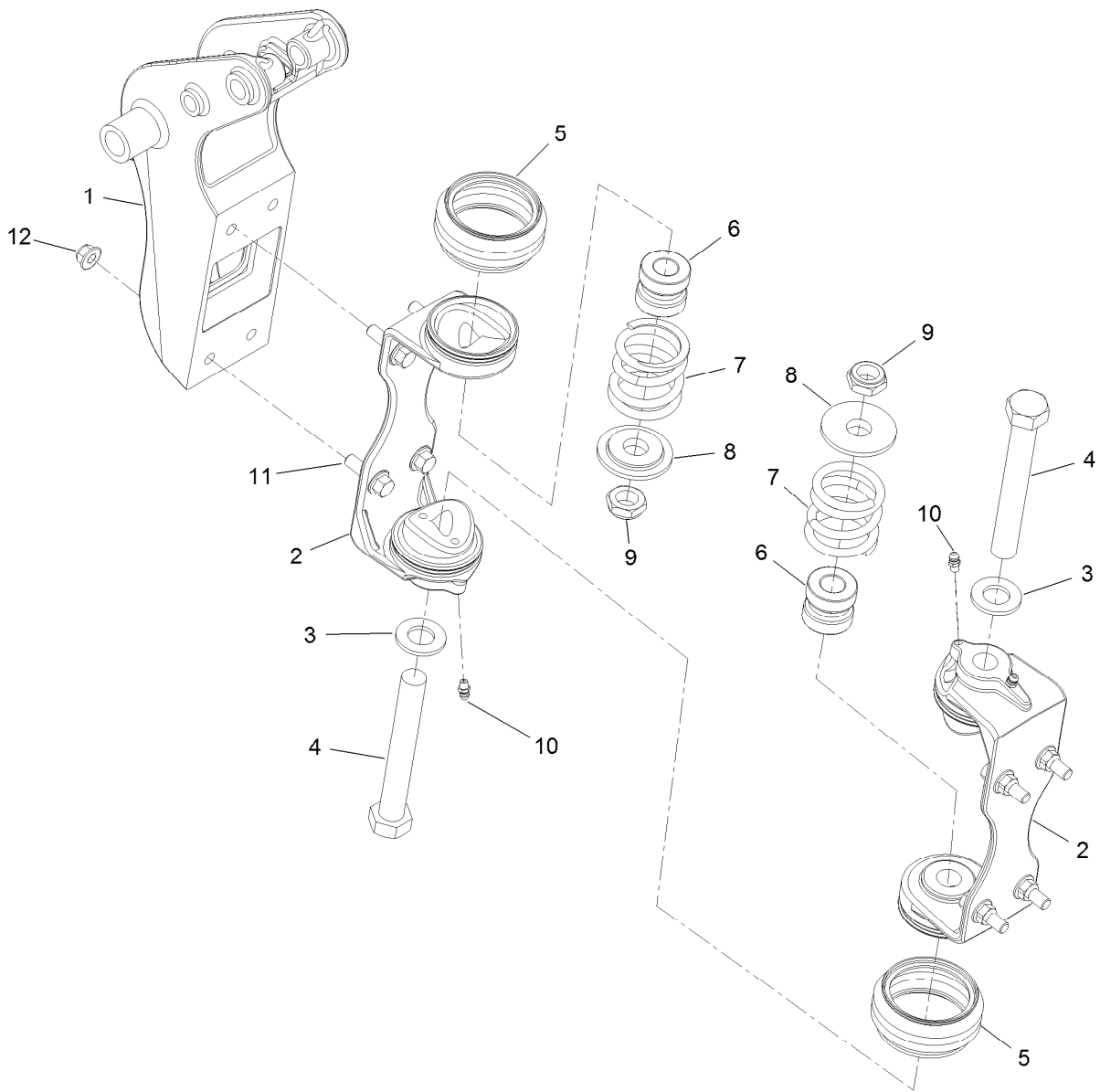
<i>Ref.</i>	<i>Part Number</i>	<i>Qty.</i>	<i>Description</i>	<i>Ref.</i>	<i>Part Number</i>	<i>Qty.</i>	<i>Description</i>
1	95-9200	1	Plug	9	95-9193	1	Cap-Diaphram
2	95-9198	1	O-Ring	10	95-9192	1	Body-Split Eyelet
3	95-9197	1	E-Clip	11	95-9191	1	O-Ring
4	95-9199	2	O-Ring	12	99-0811	1	Screw-Clamp
5	108-3264	1	Seal-Viton	13	99-0812	1	Clamp-Upper
6	108-3265	1	O-Ring-Viton	14	99-0814	1	Pin-Pivot
7	95-9196	1	Turret	15	95-9201	1	Shank-Hose
8	41003	1	Diaphragm	16	322-3	1	Screw-HH



Boom Pivot Mount Assembly

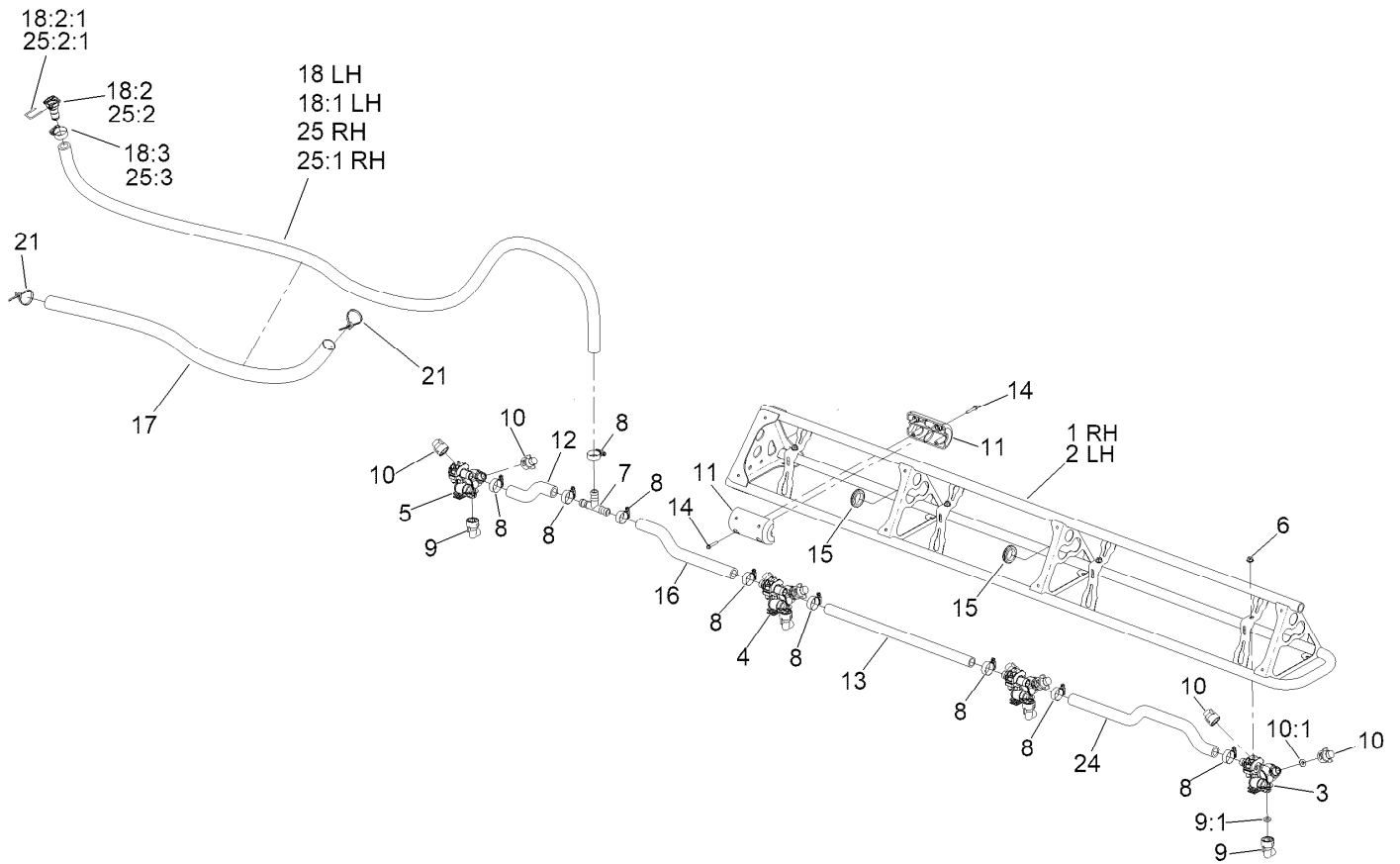
Ref.	Part Number	Qty.	Description
1	119-4041	2	Nut-HF
6	100-8541	4	Bushing-A Arm
7	108-3436	2	Pin-Clevis
8	3290-468	2	Pin-Cotter
12	108-3419	2	Pivot Pin ASM
13	108-3605	8	Plate-Backing
14	108-3748	2	Screw-HHF
20		2	Pivot Bracket Assembly ●

● Not serviced separately



Boom Pivot Bracket Assembly

<i>Ref.</i>	<i>Part Number</i>	<i>Qty.</i>	<i>Description</i>
1	137-1673	1	Bracket-Pivot
2	137-1674	2	Hinge
3	110-5054	2	Washer-Flat
4	108-3738	2	Screw-HH
5	108-3459	2	Boot-Hinge
6	120-8541	2	Dampener-Hinge
7	108-3440	2	Spring-Breakaway, Boom
8	108-3444	2	Retainer-Spring
9	3296-15	2	Nut-Lock, NI
10	302-5	4	Fitting-Grease
11	110-5050	8	Screw-HHF
12	119-4042	8	Nut-HF, NI



Left and Right Hand Boom Assembly

Ref.	Part Number	Qty.	Description	Ref.	Part Number	Qty.	Description
1	108-3524-03	1	Boom-RH	15	240-3	4	Grommet-Rubber
2	108-3525-03	1	Boom-LH	16	136-0436	2	Hose-Formed
3	108-3725	2	LH Single Body Turret ASM	17	107-8650	2	Conduit-Convolutd
4	108-3727	4	Double Turret Body ASM	18	132-4322	1	Hose-Boom
5	108-3726	2	RH Single Body Turret ASM	18:1	125-8046	1	Hose-Supply, Hose Reel
6	119-4041	8	Nut-HF	18:2	127-9807	1	Straight Fitting Kit
7	108-3439	2	Tee	18:2:1	133-0398	1	Pin-Fork
8	2412-129	18	Clamp-Hose	18:3	2412-129	1	Clamp-Hose
9	95-9186	8	Cap	21	3290-378	4	Tie-Cable
9:1	40998	1	Seat-Gasket	24	108-3735	2	Hose-Boom, Center (LH)
10	95-9187	16	Cap-Blank	25	132-4324	1	Hose-Boom
10:1	40998	1	Seat-Gasket	25:1	127-9769	1	Hose-Supply
11	119-9368	8	Block Slide	25:2	127-9807	1	Straight Fitting Kit
12	136-0437	2	Hose-Formed	25:2:1	133-0398	1	Pin-Fork
13	40506	2	Hose-Jumper	25:3	2412-129	1	Clamp-Hose
14	119-9369	16	Screw-HHF				

Attachments and Accessories

For 41196 — Multi Pro 1750 Turf Sprayer

Product Name	Model/Part
Premium ATF (Drum).....	108-1185
Premium ATF (Pail)	108-1186
Premium All Purpose Grease (Tube)	108-1190
License Plate Kit.....	120-8506
Covered Boom Spring Upgrade Kit.....	120-8508
Premium Engine Oil 10w30 (55 Gallon Drum)	121-6392
Premium Engine Oil 10w30 (5 Gallon Pail)	121-6393
Lance Suction Assembly	127-9826
Sonic Boom Finish Kit.....	130-8227
Finishing Kit, Foam Marker for Multi Pro 1750 Turf Sprayer	136-0457
Pump Head Kit.....	145-3399
White Universal Sunshade	30669
Red Universal Sunshade	30671
Rear Work Light Kit.....	41010
Single Nozzle Kit.....	41023
Hand Spray Wand Kit	41118
EU Compliance Kit.....	41155
Pro Foam Concentrate (4 x 1 Gallon)	41157
Chemical Pre-Mix Kit	41158
Electric Hose Reel Kit	41159
CE Kit	41202
Tank Clean Rinse Kit	41208
Ultra Sonic Boom Leveling Kit	41219
Foam Marker Kit	41249
Drift Reduction Boom Shroud Kit	41602
Pro-Foam.....	41607
Geolink Global	41713
Geolink Finish Kit MP 1750.....	41742
Spark Arrestor Screen	94-8157



Count on it.