



Count on it.

Parts Catalog

**Groundsmaster® 4700-D
Rotary Mower**

Model No. 30899—Serial No. 419000000 and Up



Ordering Replacement Parts

To order replacement parts, please supply the part number, the quantity, and the description of each part desired.

Understanding Reference Numbers

Each identified part in an illustration has a reference number. The reference number for a part also appears in the parts list, along with other information about the part.

This catalog uses two special reference number formats, one to indicate parts in a service assembly and another to indicate the quantity of a given part in an illustration.

Service Assembly Reference Numbers

Parts in service assemblies have reference numbers in the form a:b. The a represents the reference number of the entire service assembly and the b represents a sequential number unique to each part within the service assembly.

For example, a wheel assembly might be identified by reference number 6, the tire by 6:1, the valve by 6:2, and the wheel by 6:3. When you order the assembly identified by reference number 6, you receive all parts identified by reference numbers 6:1, 6:2, and 6:3. However, you may also order any part individually. Reference numbers of this type appear in illustration and in parts lists.

Reference Numbers Indicating Quantity

In an illustration, if a reference number indicates more than one part, the reference number has the form nX y. The n represents the quantity of the part, the X is the multiplication symbol, and the y represents the reference number.

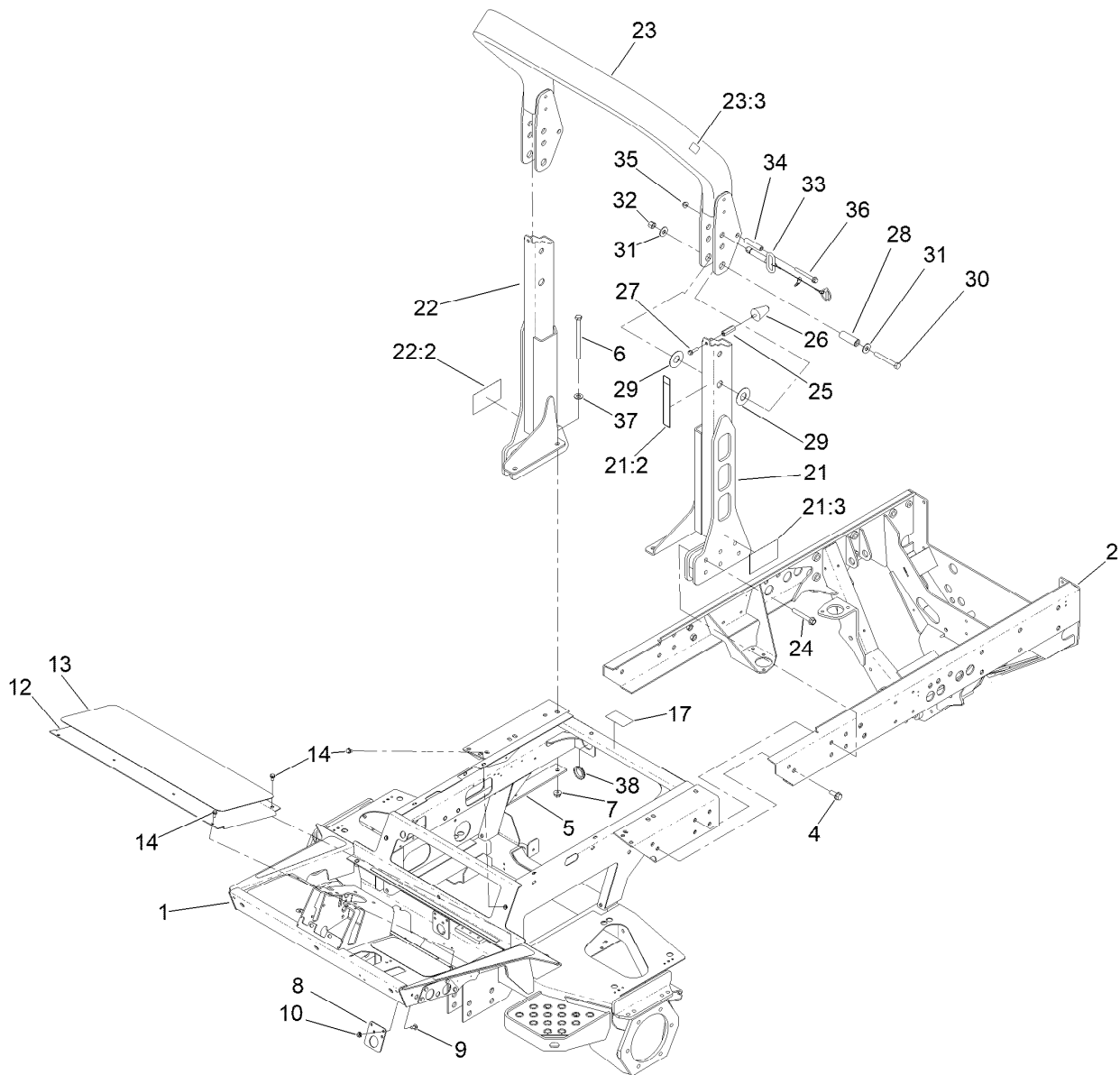
For example, in an illustration, the reference number 2X 37 means that two of the parts identified by reference number 37 are indicated.

Contents

Frame and Roll-Over Protection System Assembly	5
Front Frame Assembly No. 120-8086	6
Front Shroud Assembly	7
Engine Mount Assembly	8
Flywheel Assembly	9
Engine, Air Cleaner and Controller Assembly	10
Air Cleaner Assembly No. 99-5410	11
Radiator Assembly	12
Fan Mounting Assembly	14
Hydraulic Motor Assembly No. 137-5571	15
No. 1, No. 4 and No. 5 Lift Arm and Deck Assembly	16
Lift Cylinder Assembly No. 127-6429	18
Lift Cylinder Assembly No. 127-6427	19
No. 2 and 3 Lift Arm and Deck Assembly	20
Lift Cylinder Assembly No. 127-6428	22
No. 6 and 7 Lift Arm and Deck Assembly	23
Lift Cylinder Assembly No. 127-6430	25
Roller and Carrier Frame Assembly	26
Rear Roller Assembly No. 137-6141	27
Height-of-Cut Bracket Assembly	28
Chamber, Blade and Spindle Assembly	29
Spindle Assembly No. 121-3666	30
Hydraulic Tank Assembly	31
Fuel System Assembly	32
Battery Mount Assembly	33
Battery Storage Box Assembly No. 115-9100	34
Storage Box Assembly No. 115-9101	35
Seat Mounting Assembly	36
Air Ride Seat Suspension Assembly No. 130-2702	37
Vinyl Premium Seat Assembly No. 117-5676	38
Console Assembly	39
Control Arm Switch Assembly	40
Steering and Brake Assembly	41
Steering Tilt Column Assembly No. 106-3622	43
Steering Valve Assembly No. 114-8119	44
Pedal Assembly	45
Hood Assembly	46
Front Wheel Drive Assembly	47
Planetary Assembly No. 136-2913	48
LH Brake Assembly No. 100-3070	49
Piston Motor Assembly No. 136-2939	50
RH Brake Assembly No. 100-3069	51
Rear Axle Assembly	52
Hydraulic Steer Cylinder Assembly No. 127-6431	54
Rear Piston Motor No. 136-2938	55
Bevel Pinion Shaft Assembly Rear Axle Assembly No. 110-4750	56
Differential Assembly Rear Axle Assembly No. 110-4750	57
Axle Support Assembly Rear Axle Assembly No. 110-4750	58
Bevel Gear Case Assembly Rear Axle Assembly No. 110-4750	59
Bevel Gear Shaft Assembly Rear Axle Assembly No. 110-4750	60
Axle Case Assembly Rear Axle Assembly No. 110-4750	61
Axle Assembly Rear Axle Assembly No. 110-4750	62
Hydraulic System Assembly	63
Four Section Pump Assembly No. 114-4189	65

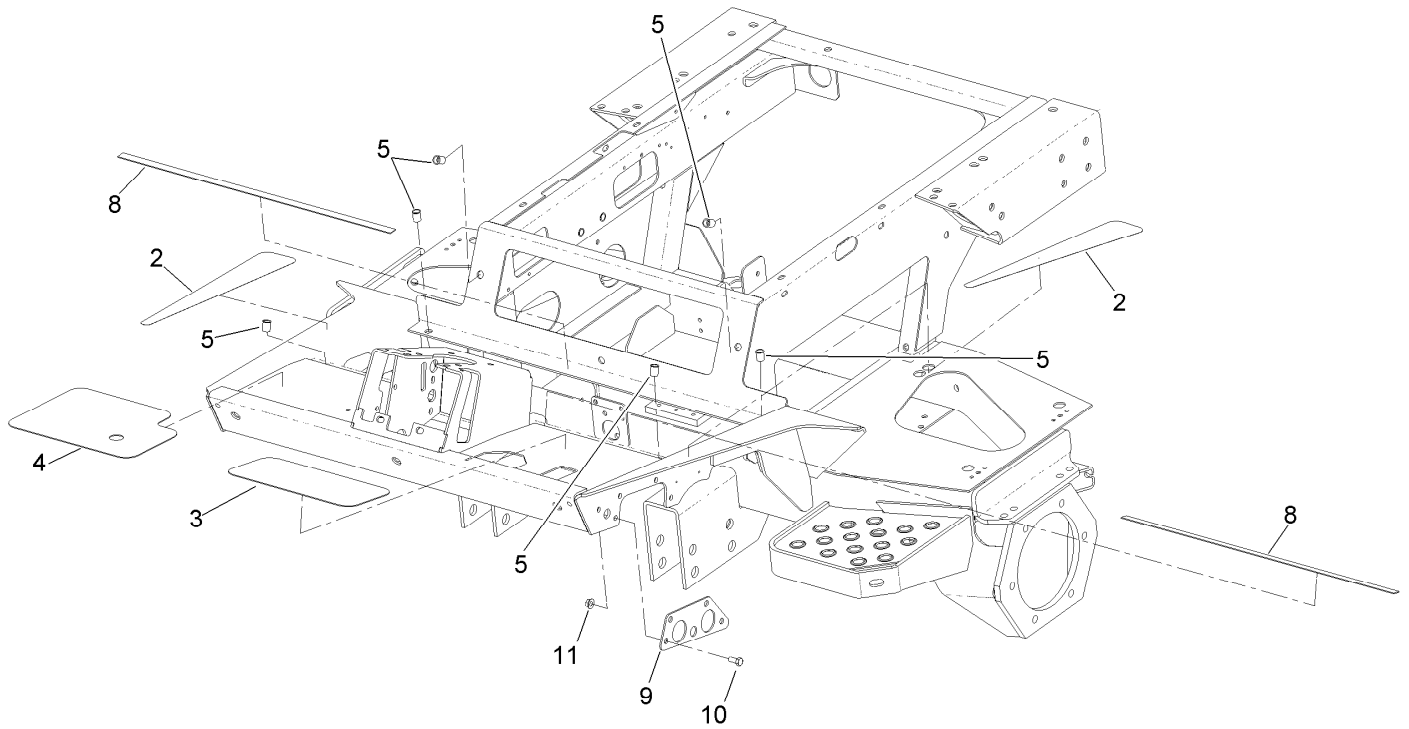
Contents (continued)

Hydraulic Pump Assembly No. 136-2940	66
Hydraulic Valve Mounting Assembly	68
Mow Manifold Assembly No. 136-2916	70
Lift Manifold Assembly No. 117-2389	71
Lift Manifold Assembly	72
Junction Manifold Assembly No. 117-2394	73
Junction Manifold Assembly	74
Fan Drive Manifold Assembly No. 117-2395	75
Traction Manifold Assembly No. 136-3341	76
3-Way Valve Manifold Assembly No. 138-6946	77
Hydraulic Traction Circuit Assembly	78
Steering Hydraulic Assembly	80
Hydraulic Traction Circuit Assembly	81
Deck Lift Hydraulic Circuit Assembly	82
Hydraulic Mow Circuit Assembly	83
Deck No. 1, 4 and 5 Hydraulic Assembly	85
Gear Motor Assembly No. 117-5141	86
Deck No. 2 and 3 Hydraulic Assembly	87
Deck No. 6 and 7 Hydraulic Assembly	88
Electrical Assembly	89
Main Wire Harness Assembly No. 122-1263	90
Seat/Console Wire Harness No. 122-1264	91
Engine Electrical Assembly	92
Access Panel and Controller Assembly	93
Cylinder Block Assembly	94
Gear Housing Assembly	95
Flywheel Housing and Oil Sump Assembly	96
Cylinder Head and Cover Assembly	98
Fuel Injection Pump Assembly	100
Fuel Injection Valve Assembly	102
Suction Manifold Assembly	104
Exhaust Manifold and Silencer Assembly	105
Camshaft and Driving Gear Assembly	106
Turbine Assembly	107
Crankshaft and Piston Assembly	108
Lubrication and Oil System Assembly	109
Lubrication Oil Line Assembly	110
Cooling Water System Assembly	111
Governor Assembly	112
Starting Motor Assembly	113
Generator Assembly	114
Electronic Control Unit Assembly	115
Gasket Set	116
Attachments and Accessories	118



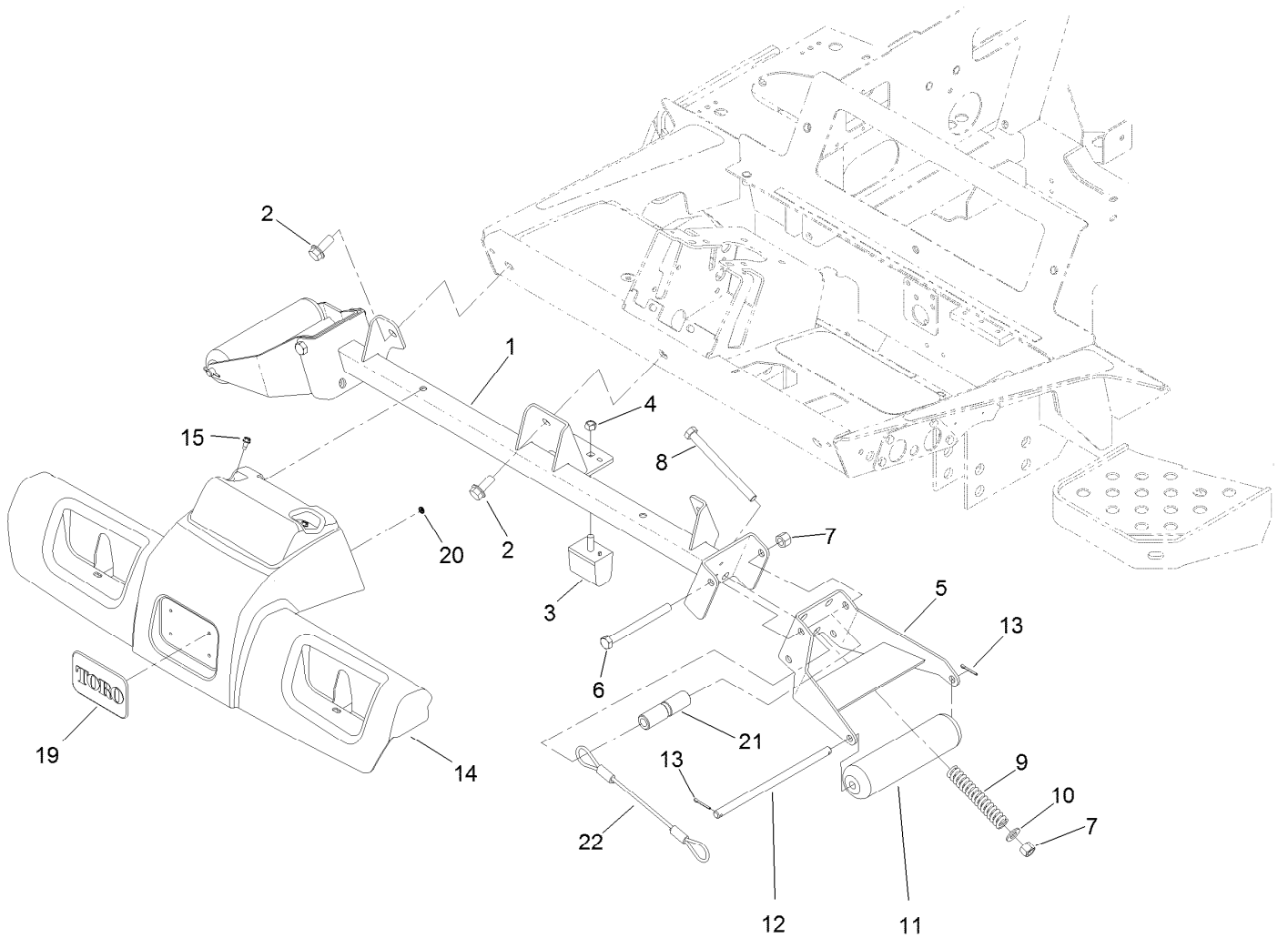
Frame and Roll-Over Protection System Assembly

Ref.	Part Number	Qty.	Description	Ref.	Part Number	Qty.	Description
1	120-8086	1	Front Frame ASM	23	136-2885	1	Top Tube ASM
2	120-8007-03	1	Frame-Rear	23:3	98-4387	1	Decal-Protection, Ear
4	3234-38	4	Screw-HHF	24	114-8419	12	Screw-HHF
5	104-5584-0P	2	Plate-Reinforcement,ROPS	25	136-2899	2	Standoff-Hex
6	325-33	4	Screw-HH	26	114-1925	2	Bumper-Rubber
7	32128-49	4	Nut-HHF	27	3234-36	2	Screw-HHF
8	104-5516-0P	1	Support-Tube	28	136-2890	2	Spacer
9	137-3061	2	Bolt-CARR	29	136-2893	4	Washer-Plastic
10	32128-20	2	Nut-HF	30	325-17	2	Screw-HH
12	75-1410-01	1	Plate-Access, Floor	31	3256-6	4	Washer-Flat
13	125-4614	1	Tread-Foot, Center	32	3296-23	2	Nut-Lock, NI
14	3234-7	4	Screw-HHF	33	136-2892	2	Pin ASM
17	106-6754	1	Decal-Danger	34	80-1890	2	Spacer
21	136-2900	1	LH ROPS ASM	35	119-4042	2	Nut-HF, NI
21:2	120-8947	1	Decal-Danger, ROPS	36	116-4701	2	Screw-HHF
21:3	94-8099	1	Decal	37	87-7270	4	Washer-Thrust
22	136-2901	1	RH ROPS ASM	38	240-2	1	Grommet-Rubber
22:2	94-8099	1	Decal				



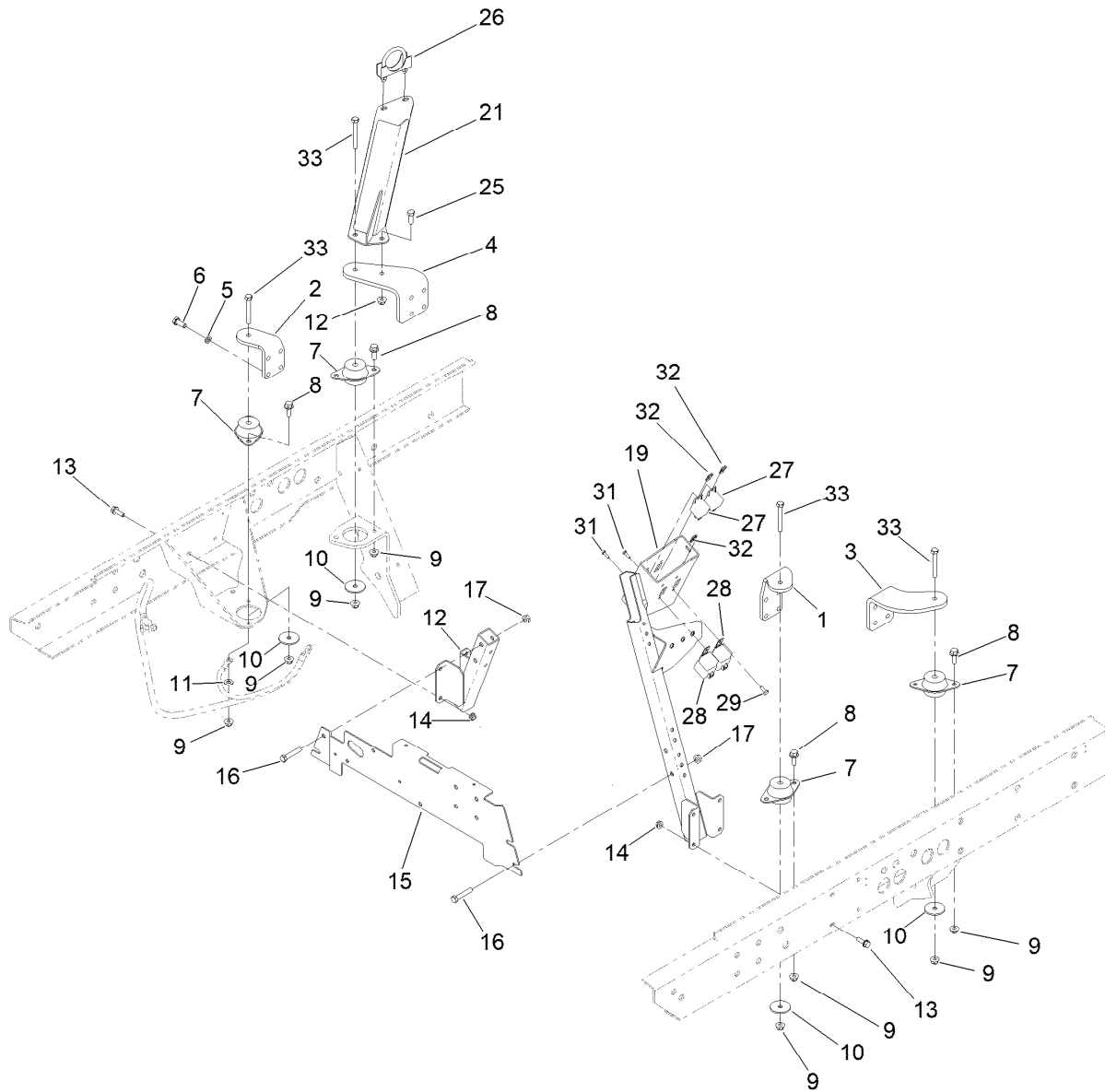
Front Frame Assembly No. 120-8086

<i>Ref.</i>	<i>Part Number</i>	<i>Qty.</i>	<i>Description</i>
2	93-7592	2	Tread-Rest, Foot
3	75-0620	1	Tread-Foot, LH
4	104-5223	1	Tread-Foot, RH
5	32148-7	10	Nut-Clinch
8	105-9860	2	Seal-Foam
9	106-7794-01	2	Plate-Mount, HYD Fitting
10	322-3	8	Screw-HH
11	32128-20	8	Nut-HF



Front Shroud Assembly

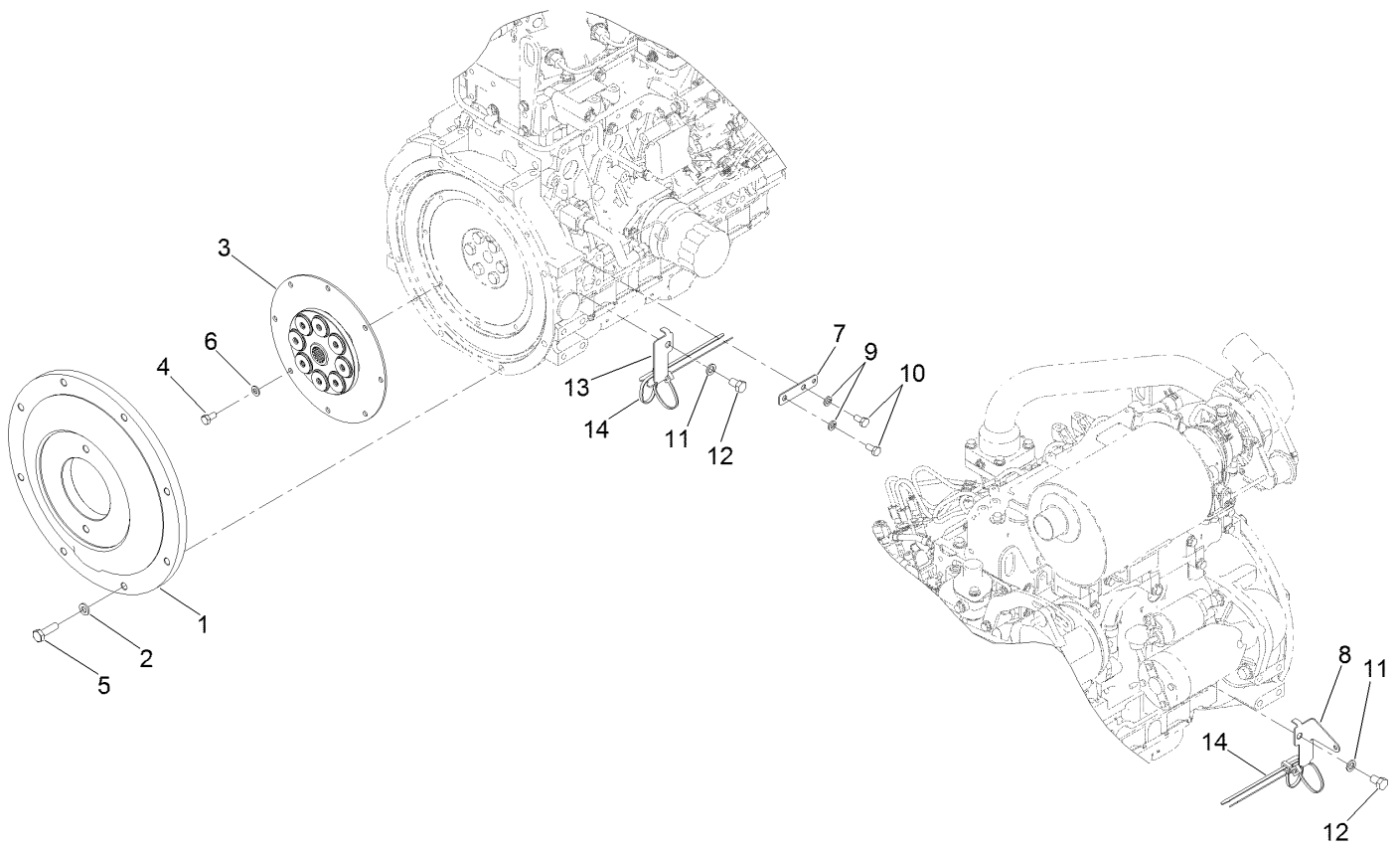
<i>Ref.</i>	<i>Part Number</i>	<i>Qty.</i>	<i>Description</i>	<i>Ref.</i>	<i>Part Number</i>	<i>Qty.</i>	<i>Description</i>
1	117-4760-01	1	Support-Roller	11	105-9816	2	Roller-Plastic
2	3234-38	3	Screw-HHF	12	104-5545	2	Shaft-Roller
3	87-3470	1	Bumper	13	3272-11	4	Pin-Cotter
4	33025-00	1	Nut-Lock, NI	14	115-9137	1	Shroud-Platform
5	105-3996-01	2	Support-Roller	15	32104-17	2	Screw-HWH
6	325-22	2	Screw-HH	19	93-6028	1	Plate-Logo
7	3296-23	4	Nut-Lock, NI	20	138-6996	4	Nut-Push
8	325-20	2	Screw-HH	21	136-2923	2	Spacer-Centering
9	105-3970	2	Spring-Compression	22	136-7992	2	Lanyard
10	3256-26	2	Washer-Flat				



Engine Mount Assembly

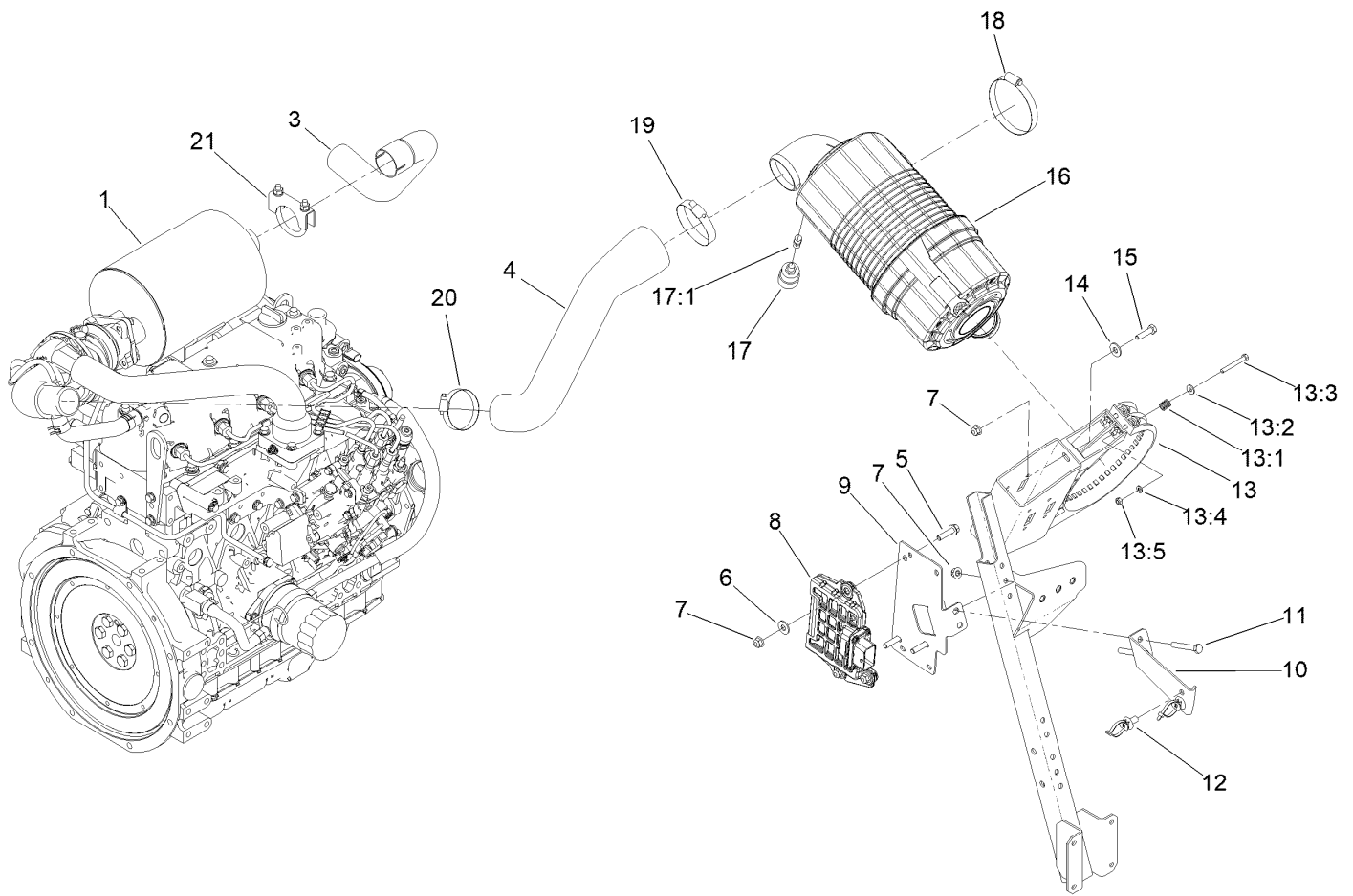
Ref.	Part Number	Qty.	Description
1	120-8001-0P	1	Mount-Engine, LH Front
2	120-8002-0P	1	Mount-Engine, RH Front
3	120-8003-0P	1	Mount-Engine, LH Rear
4	120-8004-0P	1	Mount-Engine, RH Rear
5	48-9590	16	Washer-Lock
6	33115-025	16	Screw-HH
7	53-9682	4	Mount-Engine
8	3234-11	8	Screw-HHF
9	119-4042	13	Nut-HF, NI
10	63-7400	4	Washer-Rebound
11	3256-24	1	Washer-Plain
12	104-5420-0P	1	Support-Battery
13	3234-29	8	Screw-HHF
14	32128-20	8	Nut-HF

Ref.	Part Number	Qty.	Description
15	114-8134-0P	1	Bracket-Manifold, Mow
16	323-10	4	Screw-HH
17	32128-21	4	Nut-HF Lock
19	136-3615-0P	1	A/C Mount
21	121-3098-0P	1	Support-Tailpipe
25	323-6	1	Screw-HH
26	18-2130	1	Clamp
27	99-7435	2	Relay
28	99-7430	2	Relay-Mini
29	321-3	2	Screw-HH
31	3290-134	2	Screw
32	3290-277	4	Nut-Speed
33	323-14	4	Screw-HH



Flywheel Assembly

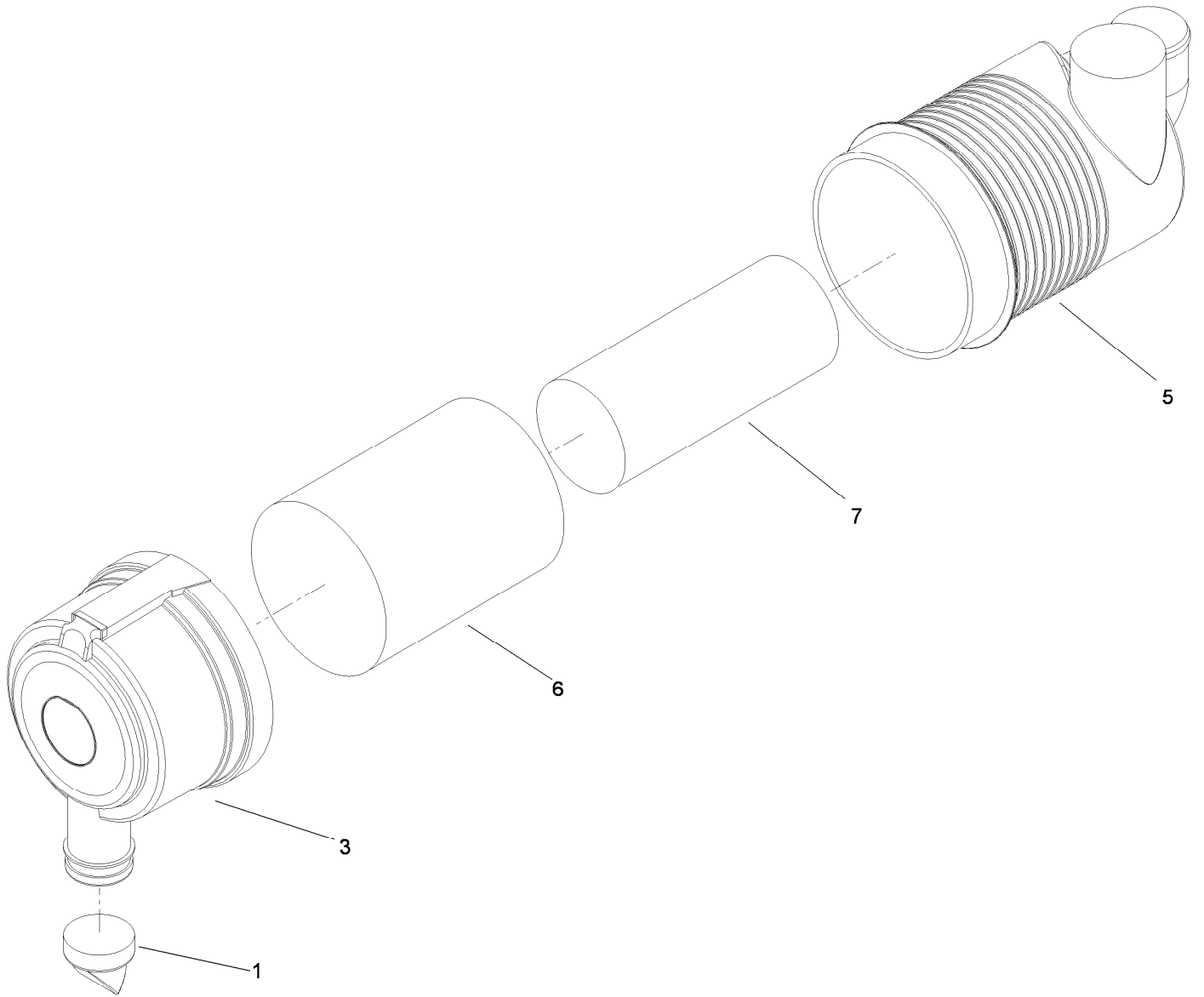
<i>Ref.</i>	<i>Part Number</i>	<i>Qty.</i>	<i>Description</i>
1	132-6120-0P	1	Plate-Flywheel
2	107-1413	8	Washer-Hardened
3	132-6121	1	Coupling-Flywheel
4	139-9940	8	Screw-HH,Patch
5	117-5663	8	Screw-HH
6	87-7510	8	Washer-Flat
7	121-5636	1	Tab-Harness
8	127-2774	1	Bracket-Harness, RH
9	3253-4	2	Washer-Lock
10	33114-016	2	Screw-HH
11	48-9590	2	Washer-Lock
12	33115-016	2	Screw-HH
13	127-2773	1	Bracket-Harness, LH
14	3290-378	4	Tie-Cable



Engine, Air Cleaner and Controller Assembly

Ref.	Part Number	Qty.	Description
1	138-6918	1	Engine-Yanmar
3	120-8010	1	Tube-Exhaust
4	121-3141	1	Hose-Air Cleaner, Outlet
5	3234-36	3	Screw-HHF
6	3256-3	3	Washer-Flat
7	119-4041	7	Nut-HF
8	135-4281	1	Ecu
9	121-3102-0P	1	Bracket-Controller
10	136-3328-0P	1	Plate-Bent
11	322-11	2	Screw-HH
12	32180-031	2	Clip-Tree (W/Tie)
13	99-5414	1	Strap-Cleaner, Air
13:1	108-1512	2	Spring

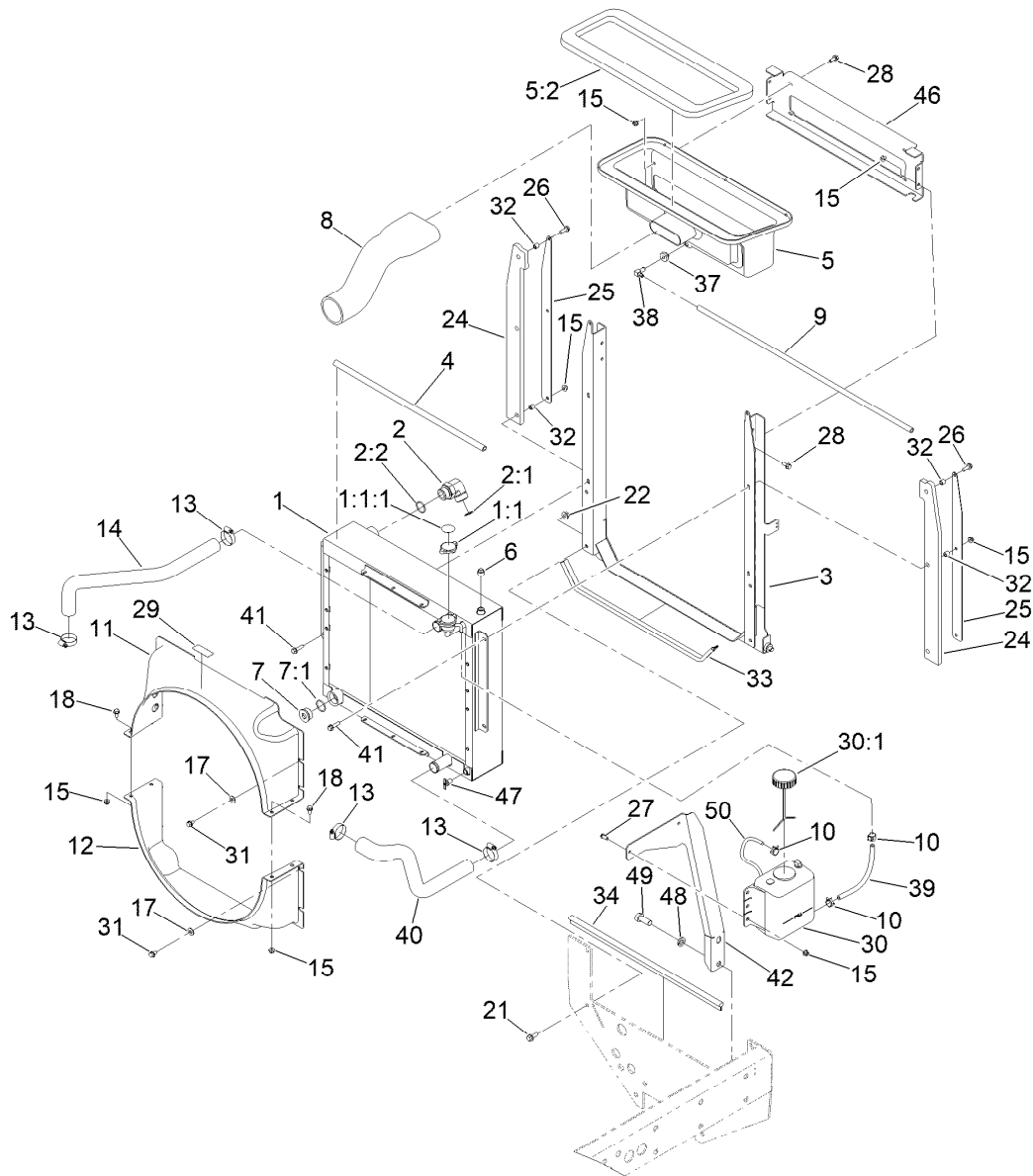
Ref.	Part Number	Qty.	Description
13:2	3256-22	2	Washer-Flat
13:3	33113-050	2	Screw-HH
13:4	33093-00	2	Washer-Flat
13:5	33023-00	2	Nut-Lock
14	3256-3	2	Washer-Flat
15	322-6	2	Screw-HH
16	99-5410	1	Air Cleaner ASM
17	104-3563	1	Indicator
17:1	94-1416	1	Adapter-Indicator
18	2412-110	1	Clamp-Band/Screw
19	2412-125	1	Clamp-Hose
20	2412-130	1	Clamp-Hose
21	18-2130	1	Clamp



Air Cleaner Assembly No. 99-5410

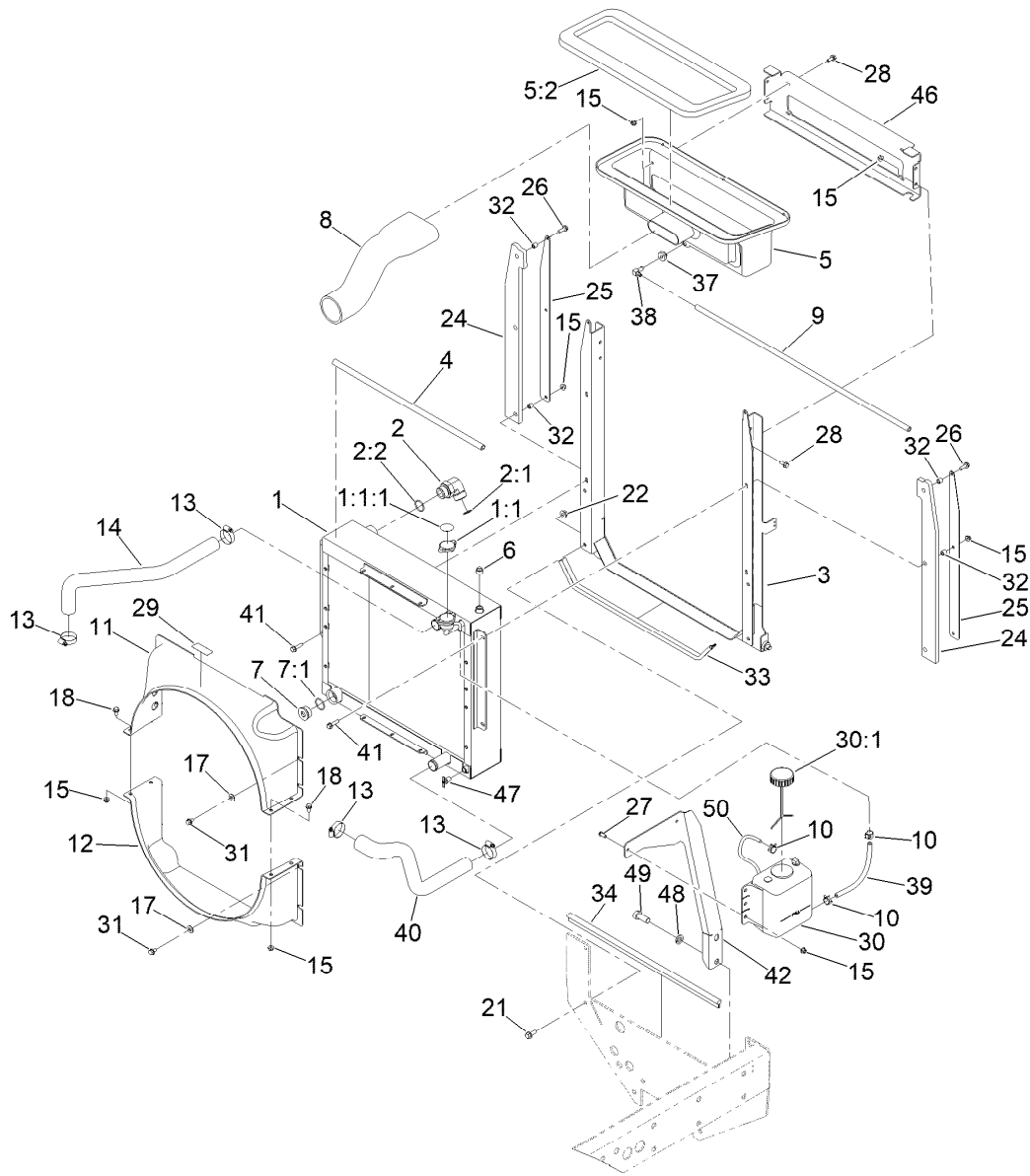
<i>Ref.</i>	<i>Part Number</i>	<i>Qty.</i>	<i>Description</i>
1	104-4258	1	Valve-Vacuator
3	104-4259	1	Cover
5		1	Body ASM ●
6	108-3814	1	Filter-Air
7	108-3816	1	Filter-Air

● Not serviced separately



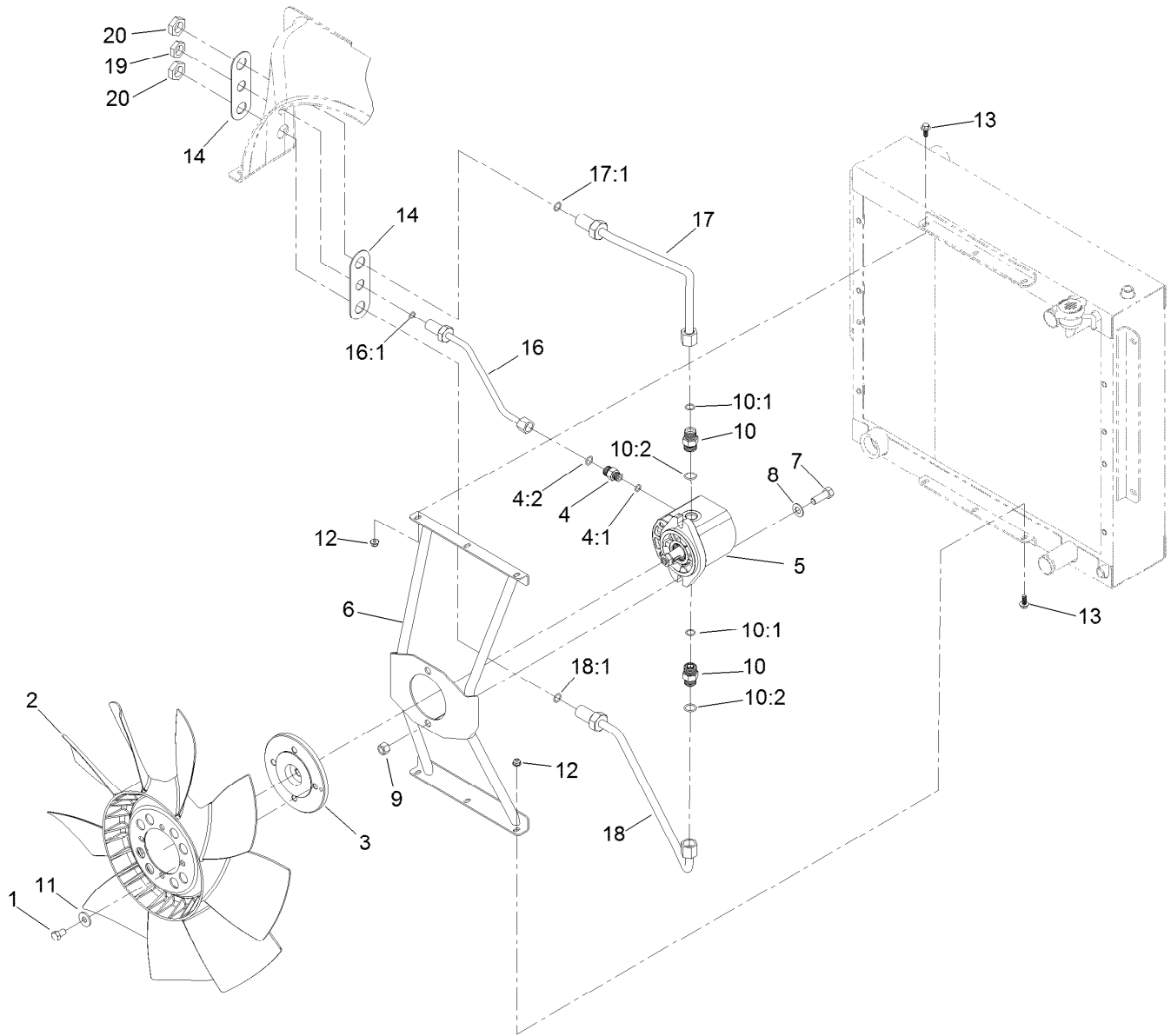
Radiator Assembly

Ref.	Part Number	Qty.	Description	Ref.	Part Number	Qty.	Description
1	132-6161	1	Radiator/Oil Cooler	17	3256-3	8	Washer-Flat
1:1	115-7766	1	Cap-Radiator	18	3234-7	4	Screw-HHF
1:1:1	106-6755	1	Decal-Cap, Radiator	21	3234-11	4	Screw-HHF
2	340-129	2	Fitting-Elbow, 90 DEG	22	32128-43	4	Nut-Flange
2:1	237-146	1	O-Ring	24	121-3087	2	Seal-Foam, Hood
2:2	340-65	1	O-Ring	25	121-3086-0P	2	Bracket-Seal Hood
3	121-3084-03	1	Mount-Radiator	26	32144-41	2	Screw-Taptite
4	114-3828	1	Seal-Bulb	27	3274-55	2	Screw-HSBH
5	115-4363	1	Plenum ASM	28	3234-47	8	Screw-HHF
5:2	115-4393	1	Seal-Plenum	29	117-4766	1	Decal-Warning, Fan
6	281-13	1	Plug-Pipe	30	144-6219	1	Reservoir-Coolant ASM
7	105-3921	1	Fitting-Plug	30:1	87-7050	1	Cap-Reservoir
7:1	237-146	1	O-Ring	31	3234-30	8	Screw-HHF
8	121-3143	1	Hose-Air Cleaner, Inlet	32	1-603903	6	Spacer
9	110-3258	1	Hose-Fuel	33	117-4782	1	Seal-Bulb
10	92-2379	4	Clamp-Hose	34	105-9858	1	Seal-Bulb
11	125-4615	1	Shroud-Radiator, Upper	37	46-6560	1	Bushing
12	121-3106	1	Shroud-Radiator, Lower	38	46-6550	1	Fitting-Elbow, 90 DEG
13	2412-3	4	Clamp-Hose	39	109-0282	1	Hose-Fuel
14	121-1476	1	Hose-Radiator, Upper	40	121-1477	1	Hose-Radiator, Lower
15	119-4041	18	Nut-HF	41	3234-36	4	Screw-HHF



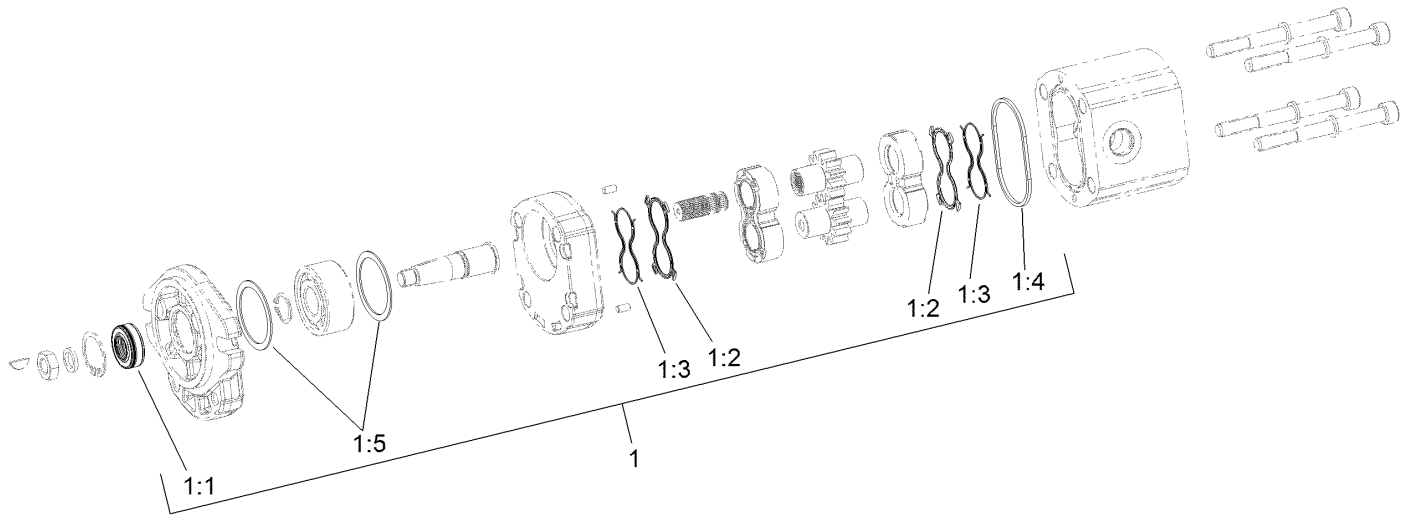
Radiator Assembly (continued)

<i>Ref.</i>	<i>Part Number</i>	<i>Qty.</i>	<i>Description</i>	<i>Ref.</i>	<i>Part Number</i>	<i>Qty.</i>	<i>Description</i>
42	136-3693-0P	1	Bracket-Mount, Tank	48	3253-8	2	Washer-Lock
46	121-3085-0P	1	Plate-Crossover	49	3218-6	2	Nut-Jam
47	304-46	1	Draincock	50	109-0273	1	Hose-Fuel



Fan Mounting Assembly

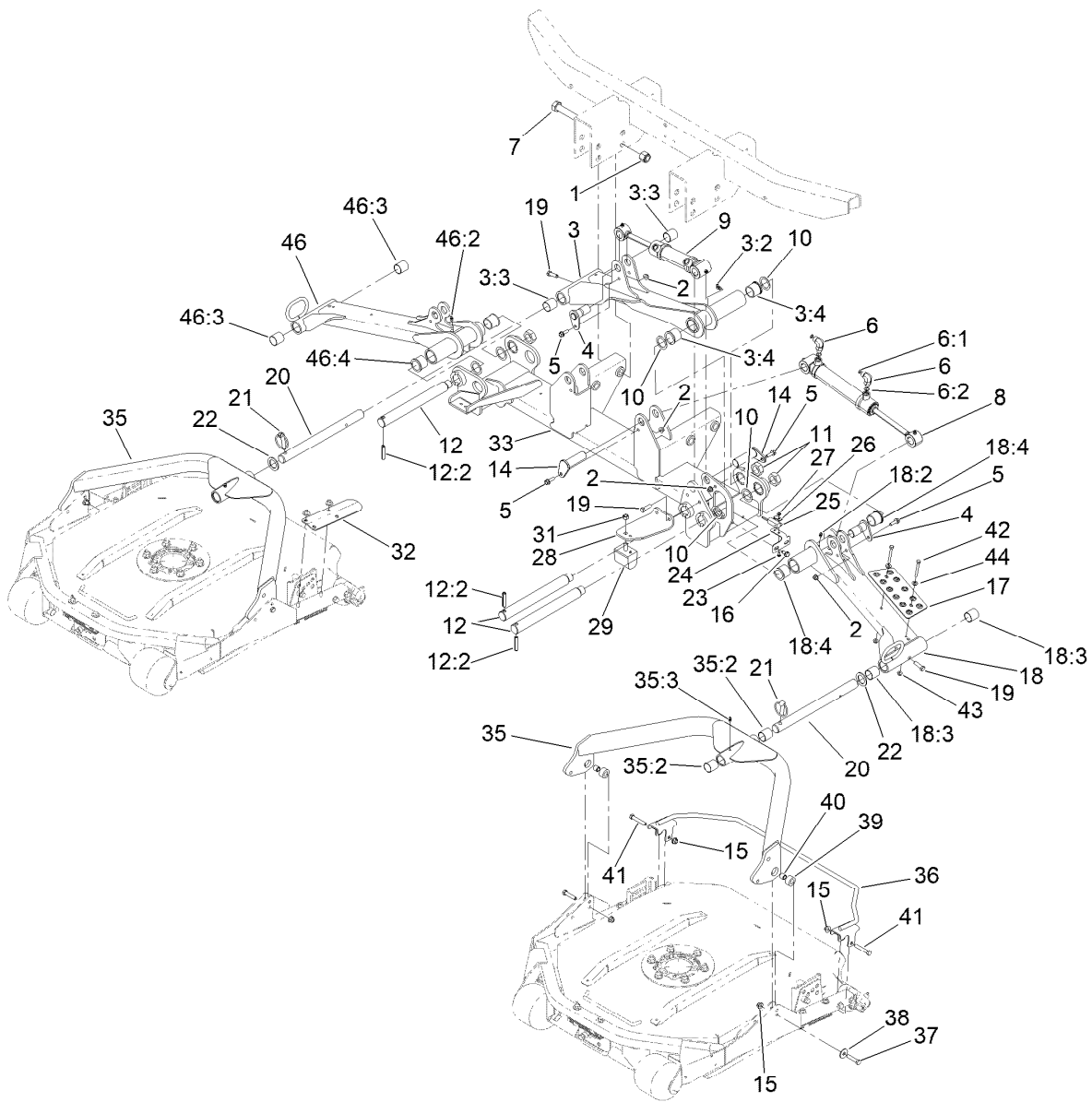
Ref.	Part Number	Qty.	Description	Ref.	Part Number	Qty.	Description
1	115-8486	4	Screw-HH	10:2	237-79	1	O-Ring
2	114-3825	1	Fan	11	80-6990	4	Washer-Hardened
3	140-6482	1	Hub-Fan	12	104-7201	6	Nut-HF, NI
4	340-2	1	Fitting-Straight	13	99-6810	6	Screw-HHF
4:1	237-22	1	O-Ring	14	125-4610	2	Shim-Support
4:2	237-42	1	O-Ring	16	138-6945	1	Tube ASM
5	137-5571	1	Hydraulic Motor ASM	16:1	237-22	1	O-Ring
6	137-5594	1	Mount-Fan	17	138-6943	1	Tube ASM
7	324-5	2	Screw-HH	17:1	237-30	1	O-Ring
8	3256-25	2	Washer-Flat	18	138-6944	1	Tube ASM
9	3296-48	2	Nut-Hex	18:1	237-30	1	O-Ring
10	340-4	2	Fitting-Straight	19	340-70	1	Nut-Lock
10:1	237-30	1	O-Ring	20	340-127	2	Nut-Bulkhead



Hydraulic Motor Assembly No. 137-5571

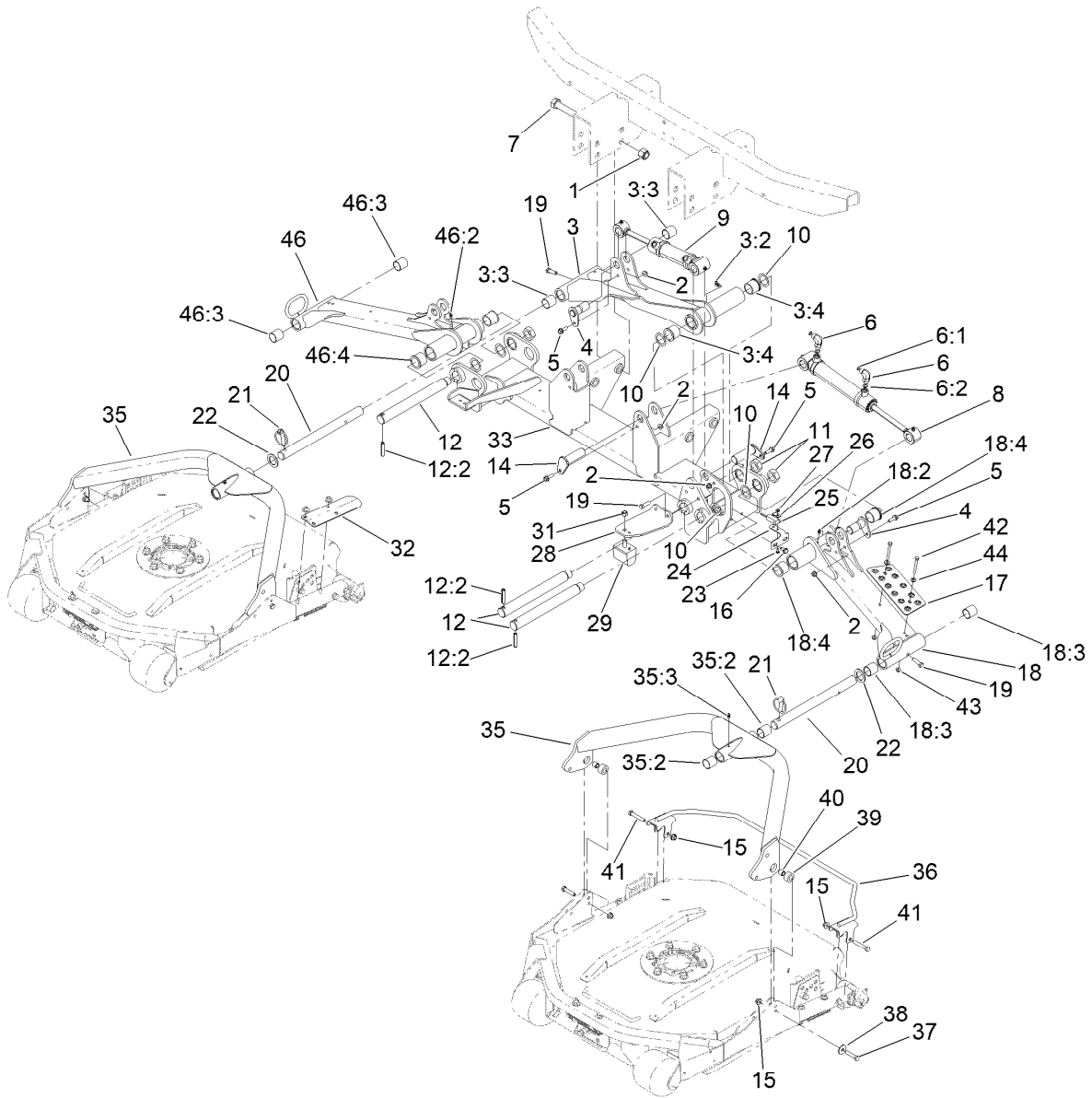
<i>Ref.</i>	<i>Part Number</i>	<i>Qty.</i>	<i>Description</i>
1	139-1019	1	Seal Kit
1:1		1	Seal-Shaft ●
1:2		2	Seal-Plate, Balancing ●
1:3		2	Seal-Anti Extrusion ●
1:4		1	O-Ring (Housing) ●
1:5		2	Seal-Square ●

● Not serviced separately



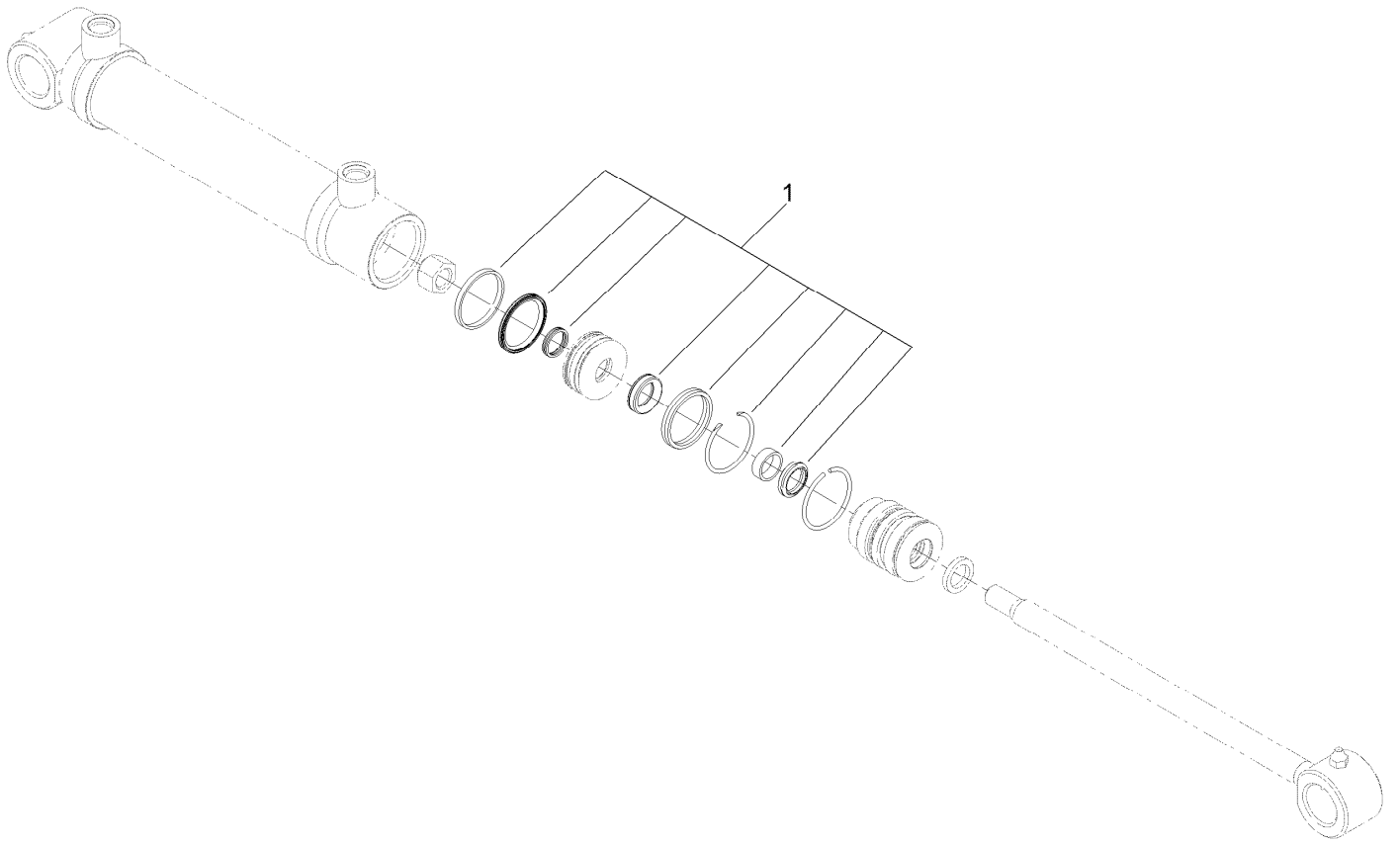
No. 1, No. 4 and No. 5 Lift Arm and Deck Assembly

Ref.	Part Number	Qty.	Description	Ref.	Part Number	Qty.	Description
1	3296-51	4	Nut-Lock, NI	17	105-3987-03	1	Plate-Skid
2	119-4041	6	Nut-HF	18	136-3377	1	No.4 Liftarm ASM
3	136-3375	1	No.1 Liftarm ASM	18:2	302-5	1	Fitting-Grease
3:2	302-60	1	Fitting-Grease	18:3	108-4000	2	Bushing
3:3	108-4000	2	Bushing	18:4	104-0015	2	Bushing-Flange
3:4	104-0015	2	Bushing-Flange	19	323-7	5	Screw-HH
4	131-4201	3	Pin-Pivot	20	136-2922	3	Shaft-Carrier, Pivot
5	3234-17	6	Screw-HHF	21	3290-384	3	Pin-Lynch
6	340-77	6	Fitting-Elbow, 90 DEG	22	3-6781	3	Washer-Flat
6:1	237-22	1	O-Ring	23	104-1450	2	Bolt-CARR
6:2	237-42	1	O-Ring	24	104-5585	2	Bracket-Switch
7	328-7	4	Screw-HH	25	106-9288	2	Sensor-Proximity, Ferrous
8	127-6429	2	Lift Cylinder ASM	26	100-4872	2	Plate-Switch, Neutral
9	127-6427	1	Lift Cylinder ASM	27	32149-7	2	Nut-Keps
10	76-2980	6	Washer-Thrust	28	104-5689-03	1	Bracket-Support, Bumper
11	3296-49	3	Nut-Lock, NI	29	87-3470	2	Bumper
12	140-6431	3	Pivot Pin ASM	31	33025-00	2	Nut-Lock, NI
12:2	32121-110	1	Pin-Roll, Slotted	32	105-9831-03	2	Bracket-Bumper, No. 1
14	125-1906	3	Pin-Cylinder	33	104-5680-03	1	Frame-Carrier, Front
15	119-4042	12	Nut-HF, NI	35	136-3510	3	Carrier Frame ASM
16	32104-32	4	Screw-HWH	35:2	108-4000	2	Bushing



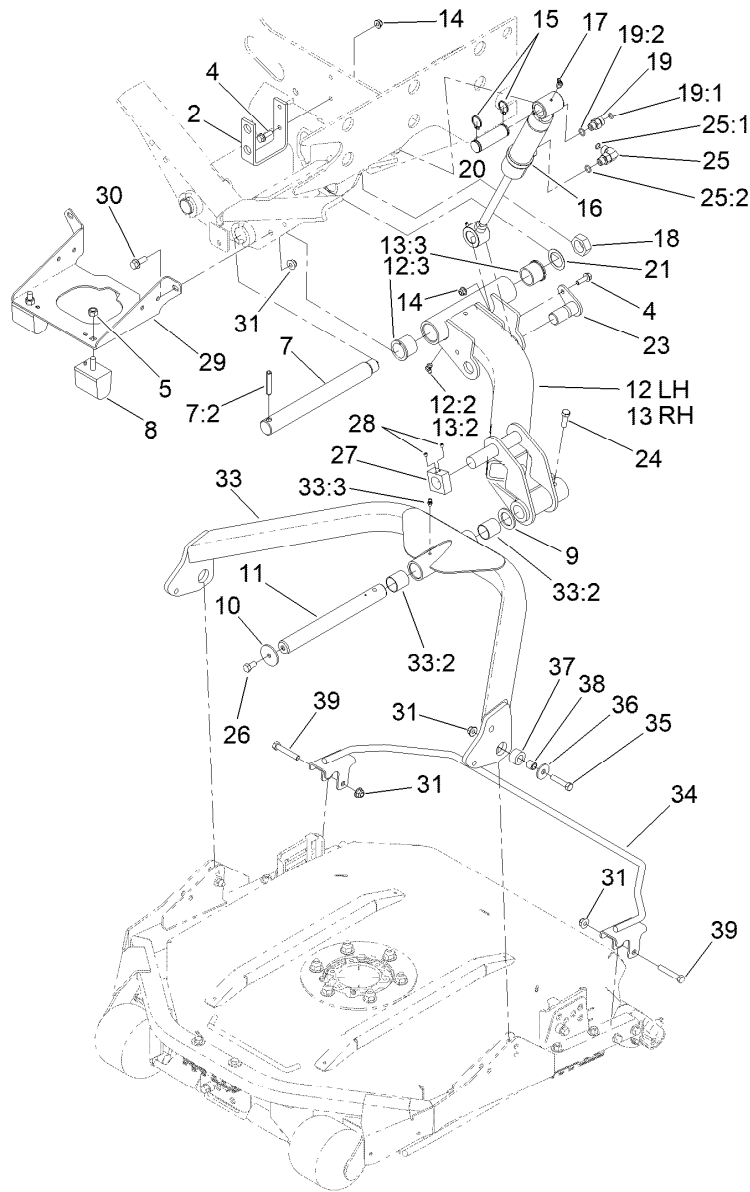
No. 1, No. 4 and No. 5 Lift Arm and Deck Assembly (continued)

<i>Ref.</i>	<i>Part Number</i>	<i>Qty.</i>	<i>Description</i>	<i>Ref.</i>	<i>Part Number</i>	<i>Qty.</i>	<i>Description</i>
35:3	302-5	1	Fitting-Grease	42	321-15	2	Screw-HH
36	112-9900-03	2	Guard-Foot	43	32128-33	2	Nut-HF
37	323-52	6	Screw-HH	44	3256-23	2	Washer-Plain
38	93-8806	6	Washer-Hardened	46	136-3379	1	No.5 Liftarm ASM
39	105-9823	6	Bushing-Carrier	46:2	302-5	1	Fitting-Grease
40	105-9822	6	Spacer	46:3	108-4000	2	Bushing
41	323-11	4	Screw-HH	46:4	104-0015	2	Bushing-Flange



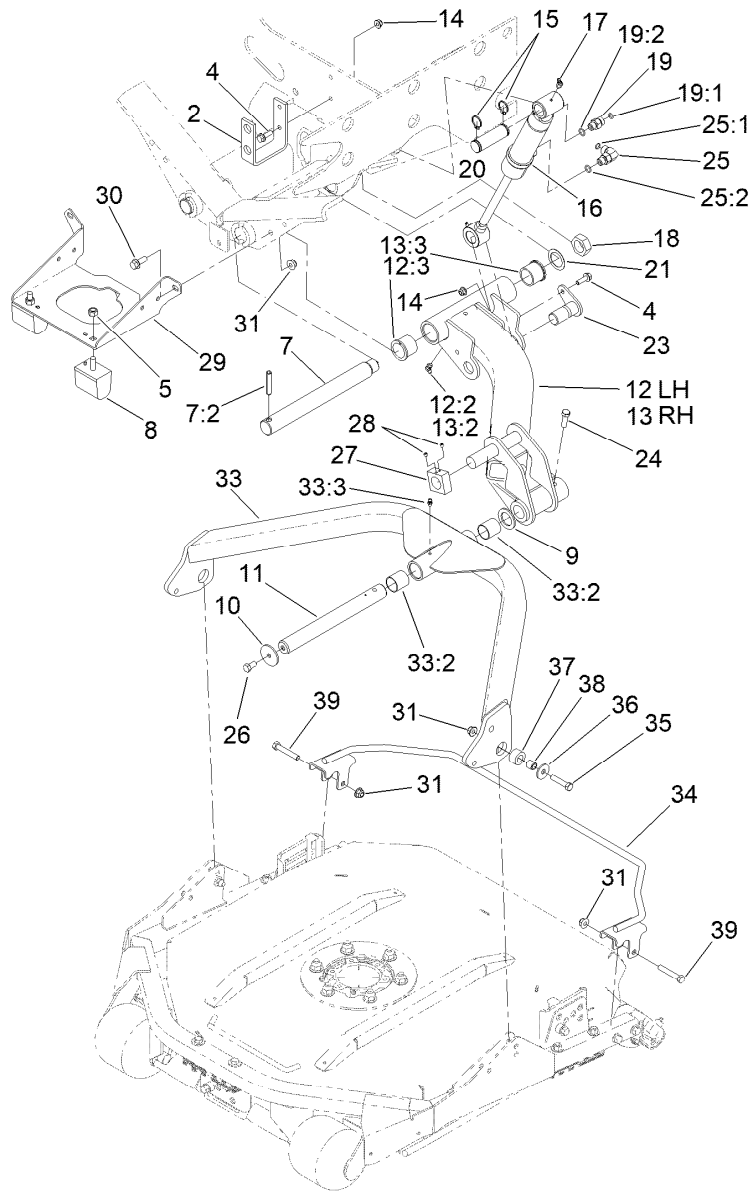
Lift Cylinder Assembly No. 127-6429

<i>Ref.</i>	<i>Part Number</i>	<i>Qty.</i>	<i>Description</i>
1	131-7755	1	Cylinder Seal Kit



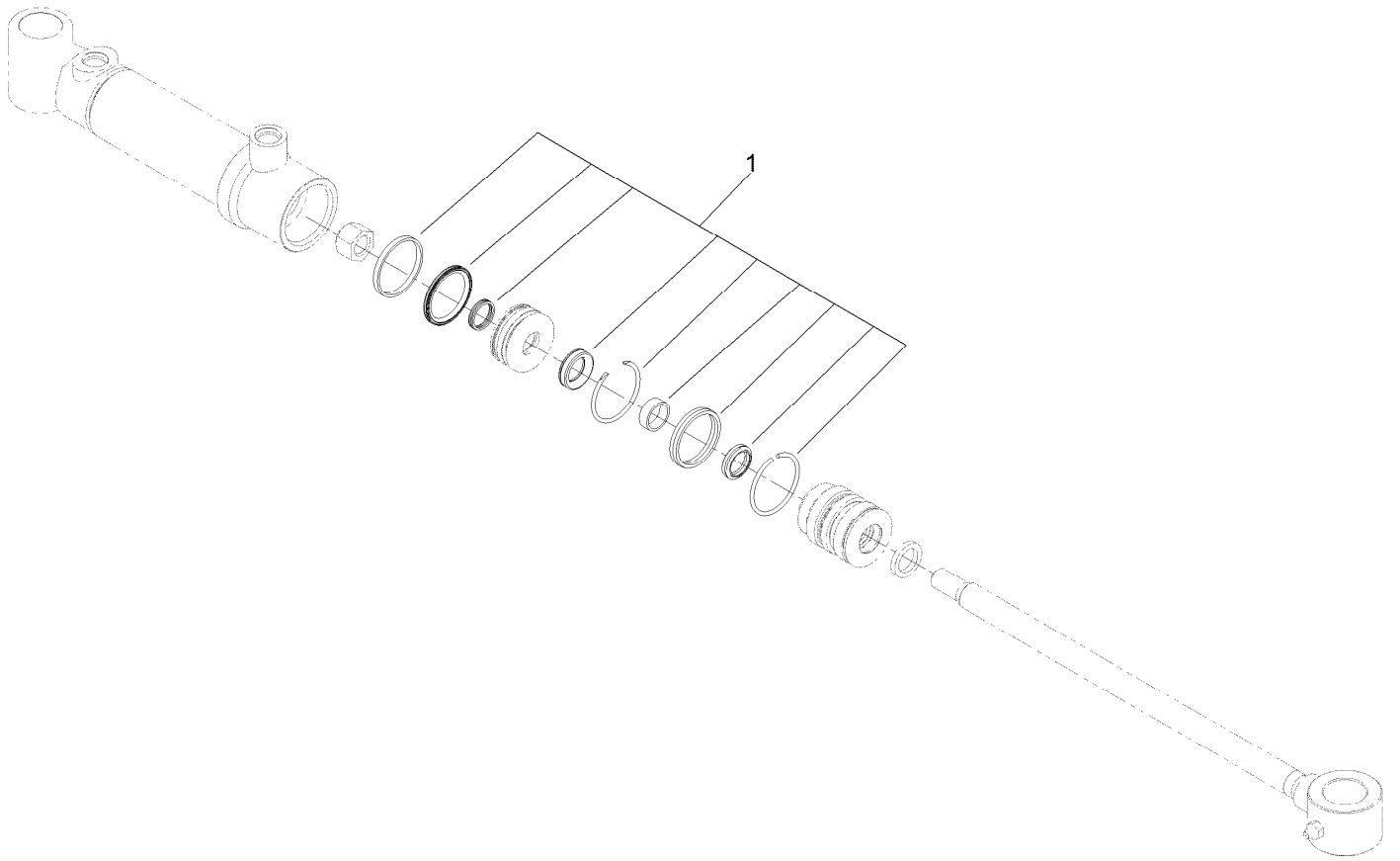
No. 2 and 3 Lift Arm and Deck Assembly

Ref.	Part Number	Qty.	Description	Ref.	Part Number	Qty.	Description
2	105-3992-0P	1	Bracket-Bulkhead	19:1	237-22	1	O-Ring
4	3234-17	4	Screw-HHF	19:2	237-42	1	O-Ring
5	33025-00	2	Nut-Lock, NI	20	92-7548	2	Pin-Cylinder
7	140-6431	2	Pivot Pin ASM	21	76-2980	2	Washer-Thrust
7:2	32121-110	1	Pin-Roll, Slotted	23	131-4201	2	Pin-Pivot
8	87-3470	2	Bumper	24	323-7	2	Screw-HH
9	3-6781	2	Washer-Flat	25	340-77	2	Fitting-Elbow, 90 DEG
10	63-7400	2	Washer-Rebound	25:1	237-22	1	O-Ring
11	105-9827	2	Shaft	25:2	237-42	1	O-Ring
12	136-3385	1	No.2 Liftarm ASM	26	323-4	2	Screw-HH
12:2	302-11	1	Fitting-Lube, 45 DEG	27	105-9839	2	Stop-Rotation, No. 2 And 3
12:3	104-0015	2	Bushing-Flange	28	3245-1	4	Screw-Set, HSH
13	136-3387	1	No. 3 Liftarm ASM	29	131-7765-0P	1	Support-Bumper, Rear
13:2	302-11	1	Fitting-Lube, 45 DEG	30	3234-11	3	Screw-HHF
13:3	104-0015	2	Bushing-Flange	31	119-4042	11	Nut-HF, NI
14	119-4041	4	Nut-HF	33	136-3510	2	Carrier Frame ASM
15	32151-36	4	Ring-Retaining	33:2	108-4000	2	Bushing
16	127-6428	2	Lift Cylinder ASM	33:3	302-5	1	Fitting-Grease
17	302-11	2	Fitting-Lube, 45 DEG	34	112-9900-03	2	Guard-Foot
18	3296-49	2	Nut-Lock, NI	35	323-52	4	Screw-HH
19	340-2	2	Fitting-Straight	36	93-8806	4	Washer-Hardened



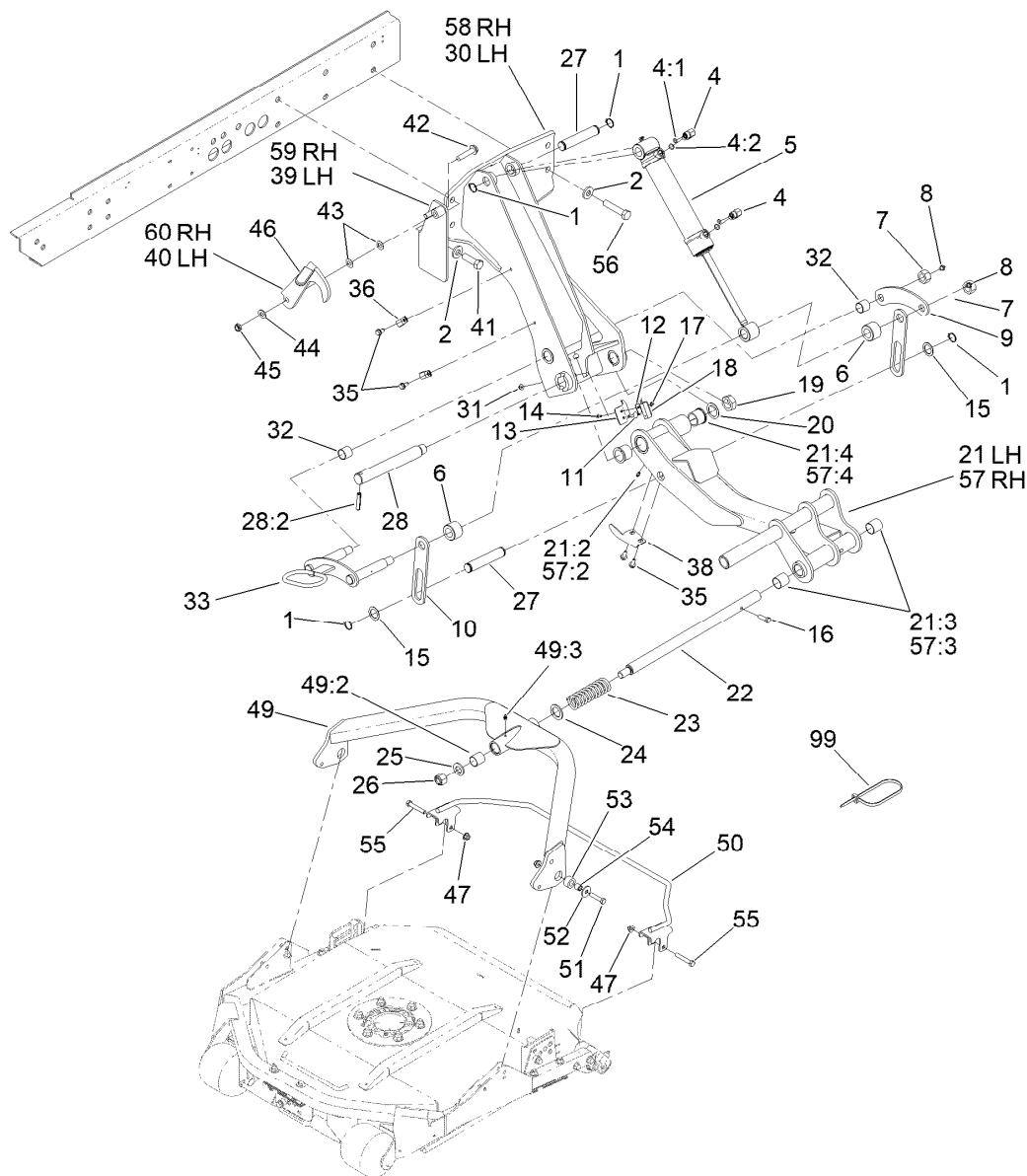
No. 2 and 3 Lift Arm and Deck Assembly (continued)

<i>Ref.</i>	<i>Part Number</i>	<i>Qty.</i>	<i>Description</i>	<i>Ref.</i>	<i>Part Number</i>	<i>Qty.</i>	<i>Description</i>
37	105-9823	4	Bushing-Carrier	38	105-9822	4	Spacer
				39	323-11	4	Screw-HH



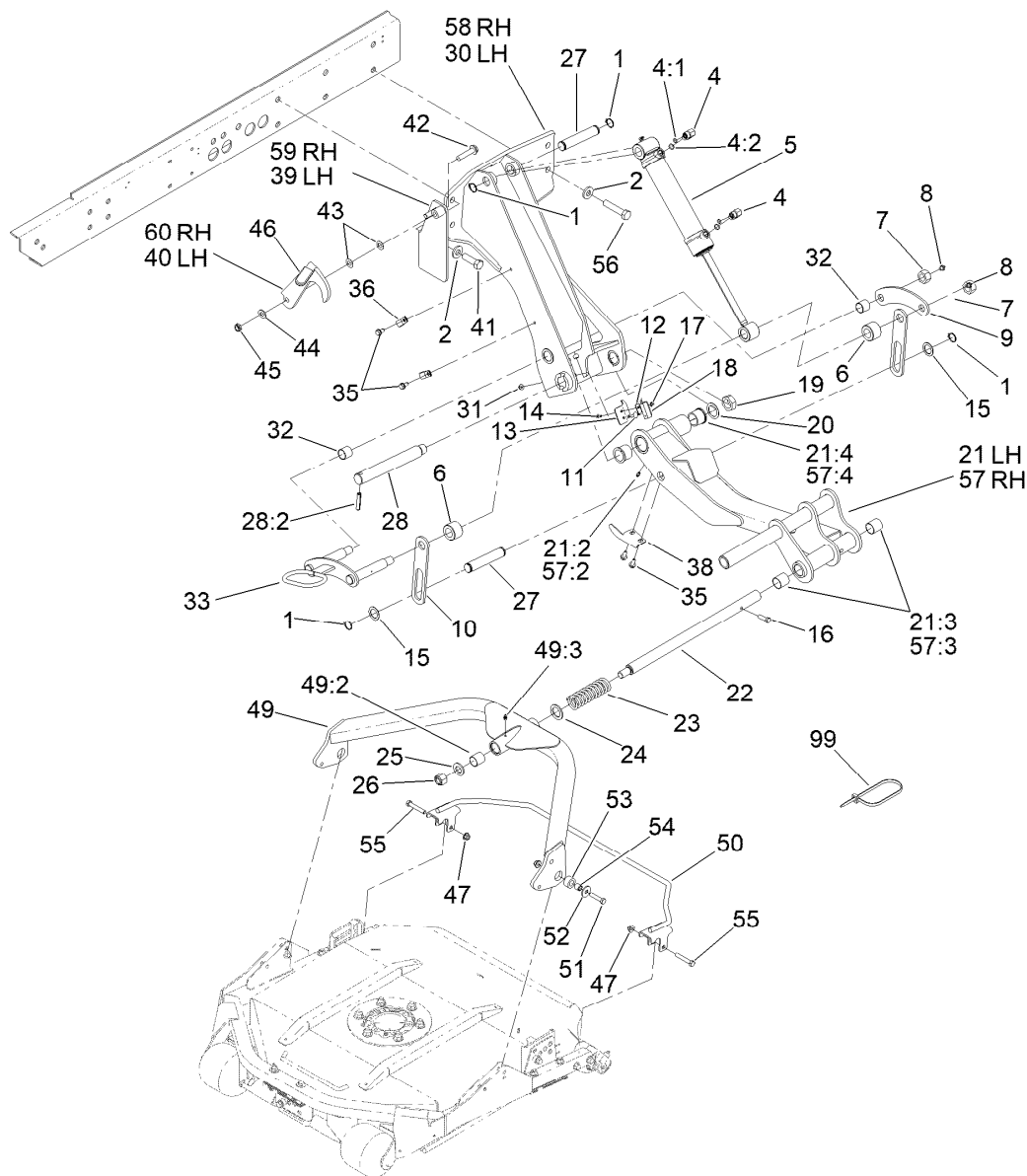
Lift Cylinder Assembly No. 127-6428

<i>Ref.</i>	<i>Part Number</i>	<i>Qty.</i>	<i>Description</i>
1	131-7755	1	Cylinder Seal Kit



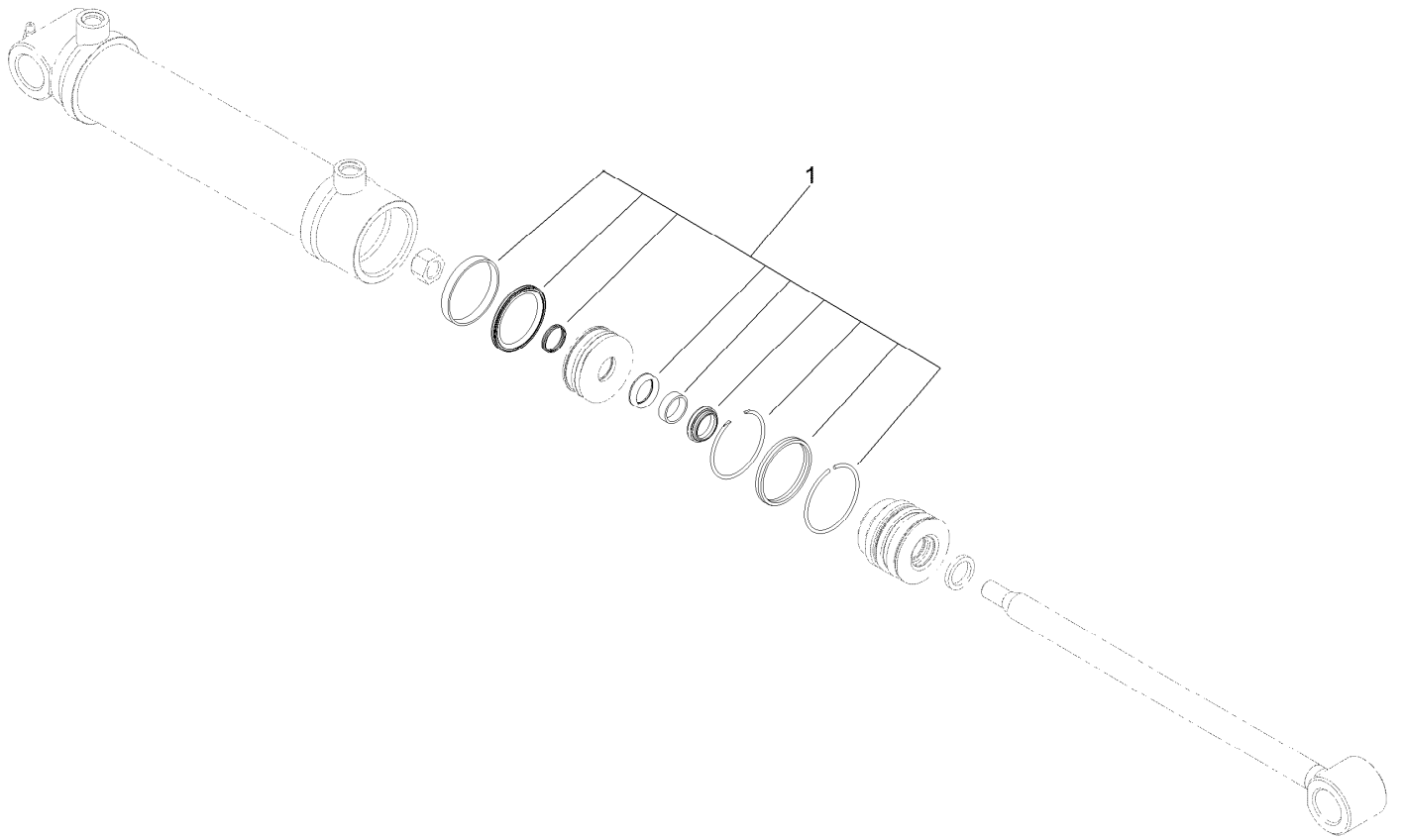
No. 6 and 7 Lift Arm and Deck Assembly

Ref.	Part Number	Qty.	Description	Ref.	Part Number	Qty.	Description
1	32151-36	8	Ring-Retaining	21	136-3381	1	No.6 Liftarm ASM
2	99-7667	12	Washer-Flat	21:2	302-5	1	Fitting-Grease
4	340-77	4	Fitting-Elbow, 90 DEG	21:3	108-4000	2	Bushing
4:1	237-22	1	O-Ring	21:4	104-0015	2	Bushing-Flange
4:2	237-42	1	O-Ring	22	108-4022	2	Shaft-Carrier, Pivot
5	127-6430	2	Lift Cylinder ASM	23	105-3999	2	Spring-Compression
6	93-2700	4	Roller-Plastic	24	3-6781	2	Washer-Flat
7	33029-00	4	Nut-Lock, NI	25	3256-28	2	Washer-Flat
8	302-2	4	Fitting-Grease	26	3296-50	2	Nut-Lock, NI
9	98-8821	2	Link-Rear	27	93-2699	4	Pin
10	93-2704-03	4	Link-Left	28	147-6067	2	Pivot Pin ASM
11	3229-28	2	Screw-CARR	28:2	32121-110	1	Pin-Roll, Slotted
12	100-4872	2	Plate-Switch, Neutral	30	104-5657-03	1	No. 6 Support Arm ASM
13	105-3858	2	Bracket-Switch	31	32128-33	2	Nut-HF
14	104-1450	2	Bolt-CARR	32	161-8354	4	Bushing-CYL
15	10-8110	4	Washer-Thrust	33	115-1577-03	2	Link ASM
16	323-7	2	Screw-HH	35	32104-32	8	Screw-HWH
17	32149-7	2	Nut-Keps	36	2412-93	4	Clamp-R
18	106-9288	2	Sensor-Proximity, Ferrous	38	105-9828	2	Actuator-Switch
19	3296-49	2	Nut-Lock, NI	39	108-4045-03	1	Latch-Arm, LH
20	76-2980	2	Washer-Thrust	40	119-8637-03	1	Latch-Deck, RH



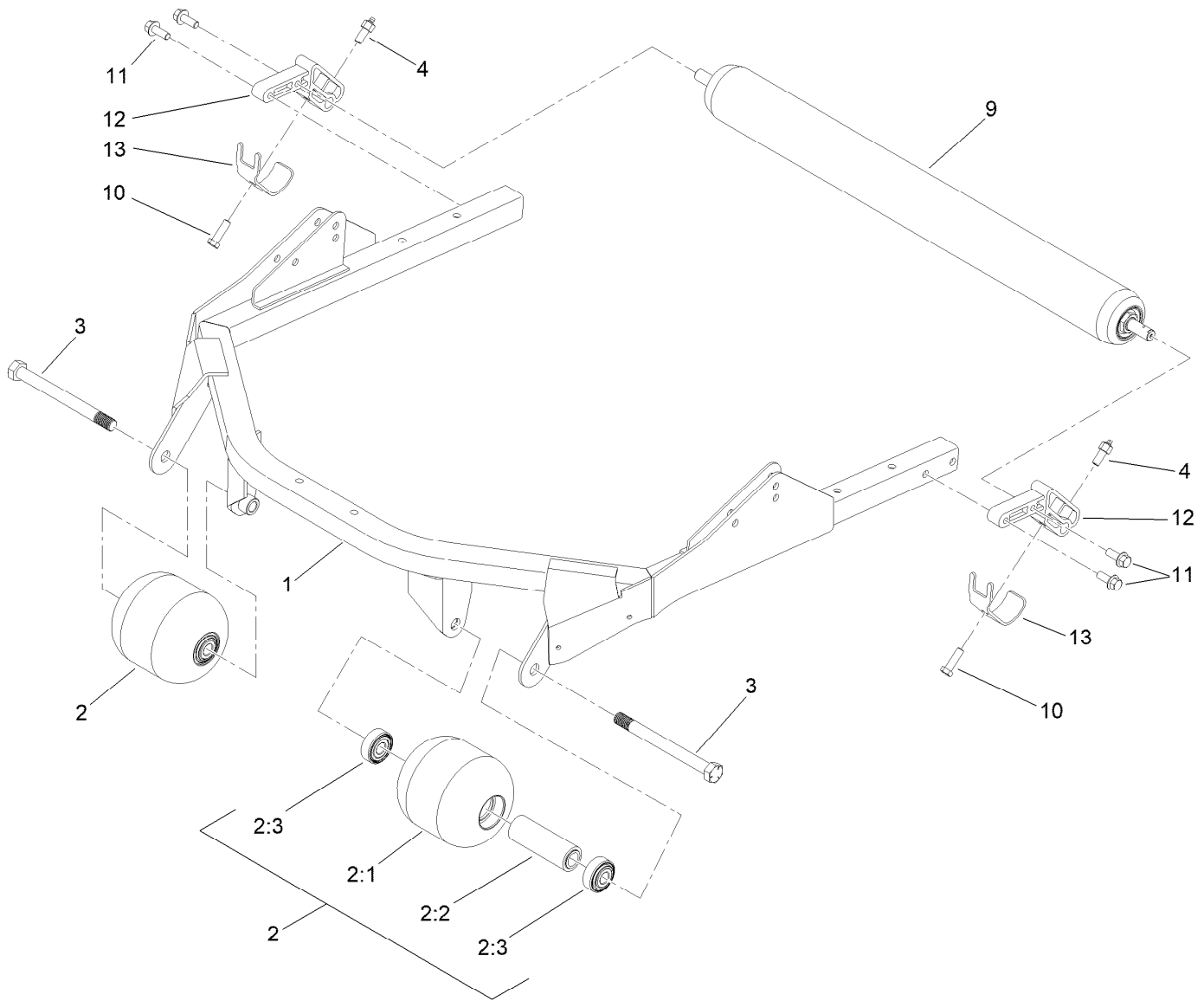
No. 6 and 7 Lift Arm and Deck Assembly (continued)

Ref.	Part Number	Qty.	Description	Ref.	Part Number	Qty.	Description
41	327-6	10	Screw-HH	53	105-9823	4	Bushing-Carrier
42	3234-46	2	Screw-HHF	54	105-9822	4	Spacer
43	104-3577	4	Washer	55	323-11	4	Screw-HH
44	3256-26	2	Washer-Flat	56	115-4841	2	Screw-HH
45	3296-45	2	Nut-Hex	57	136-3383	1	No.7 Lift Arm ASM
46	48-7081	2	Grip-Plastic	57:2	302-5	1	Fitting-Grease
47	119-4042	8	Nut-HF, NI	57:3	108-4000	2	Bushing
49	136-3510	2	Carrier Frame ASM	57:4	104-0015	2	Bushing-Flange
49:2	108-4000	2	Bushing	58	104-5658-03	1	No. 7 Support Arm ASM
49:3	302-5	1	Fitting-Grease	59	108-4046-03	1	Latch-Arm, RH
50	112-9900-03	2	Guard-Foot	60	119-8636-03	1	Latch-Deck, LH
51	323-52	4	Screw-HH	99	3290-378	2	Tie-Cable
52	93-8806	4	Washer-Hardened				



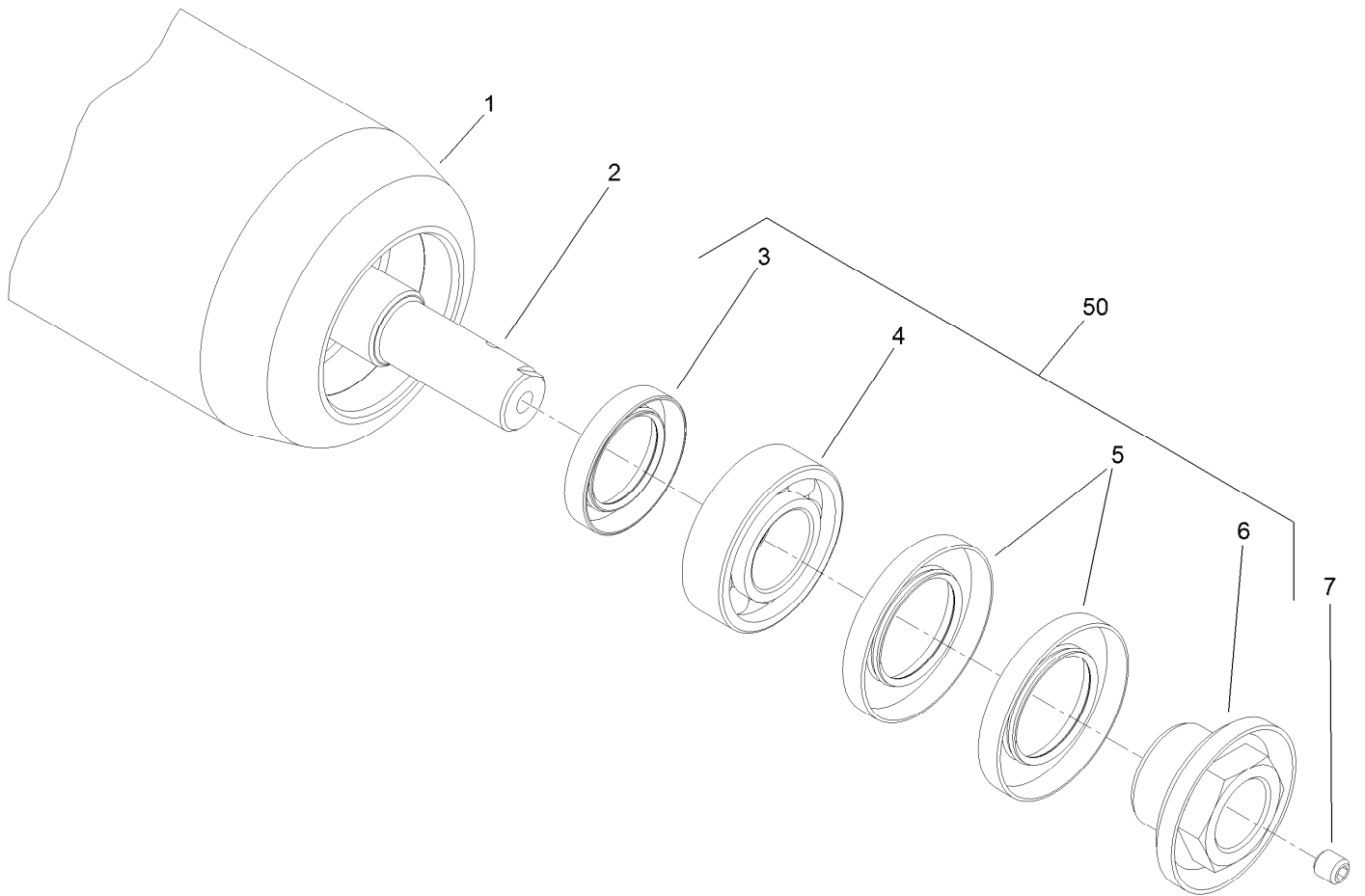
Lift Cylinder Assembly No. 127-6430

<i>Ref.</i>	<i>Part Number</i>	<i>Qty.</i>	<i>Description</i>
1	131-7757	1	Cylinder Seal Kit



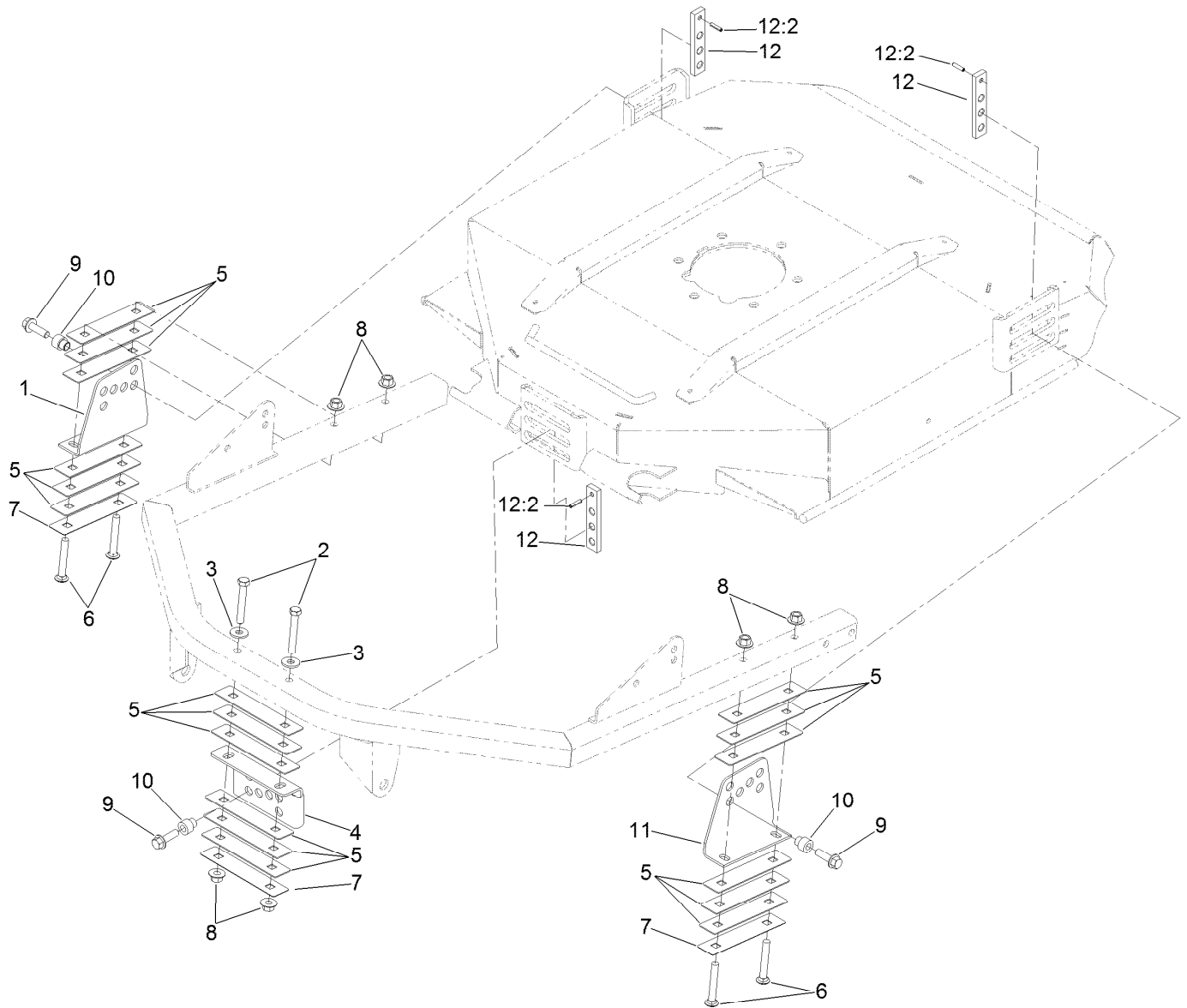
Roller and Carrier Frame Assembly

Ref.	Part Number	Qty.	Description
1	100-5780-03	1	Frame-Deck
2	136-2908	2	Roller ASM
2:1	104-1093	1	Roller
2:2	100-5762	1	Spacer-Bearing
2:3	120-3366	2	Bearing
3	136-2924	2	Screw-HH
4	127-6422	2	Screw-Grease, Roller
9	137-6141	1	Rear Roller ASM
10	323-7	2	Screw-HH
11	3234-11	4	Screw-HHF
12	112-5268	2	Mount-Roller
13	107-7816	2	Bracket-Skid



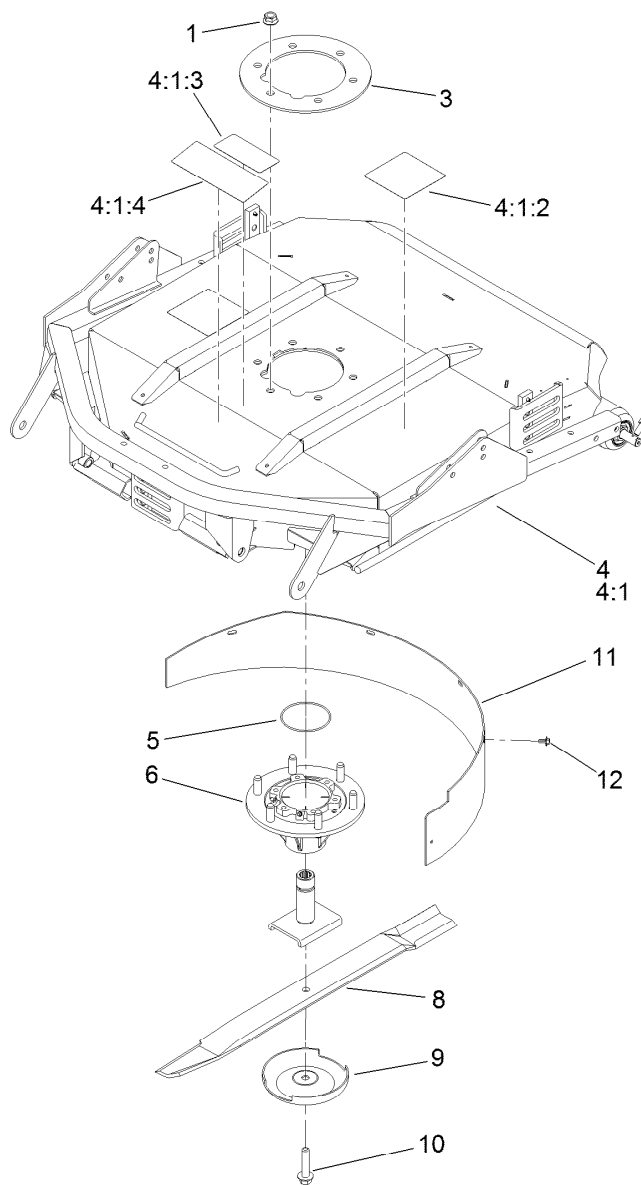
Rear Roller Assembly No. 137-6141

<i>Ref.</i>	<i>Part Number</i>	<i>Qty.</i>	<i>Description</i>
1	137-6140	1	Tube-Roller
2	117-5100	1	Shaft-Roller, Rear
3	114-3717	2	Seal-Oil
4	112-5290	2	Bearing-Steel, Stainless
5	112-7494	4	Seal
6	114-5411	2	Nut-Lock, Bearing
7	108-0989	2	Screw-Set
50	114-5430	1	Roller Rebuild Kit



Height-of-Cut Bracket Assembly

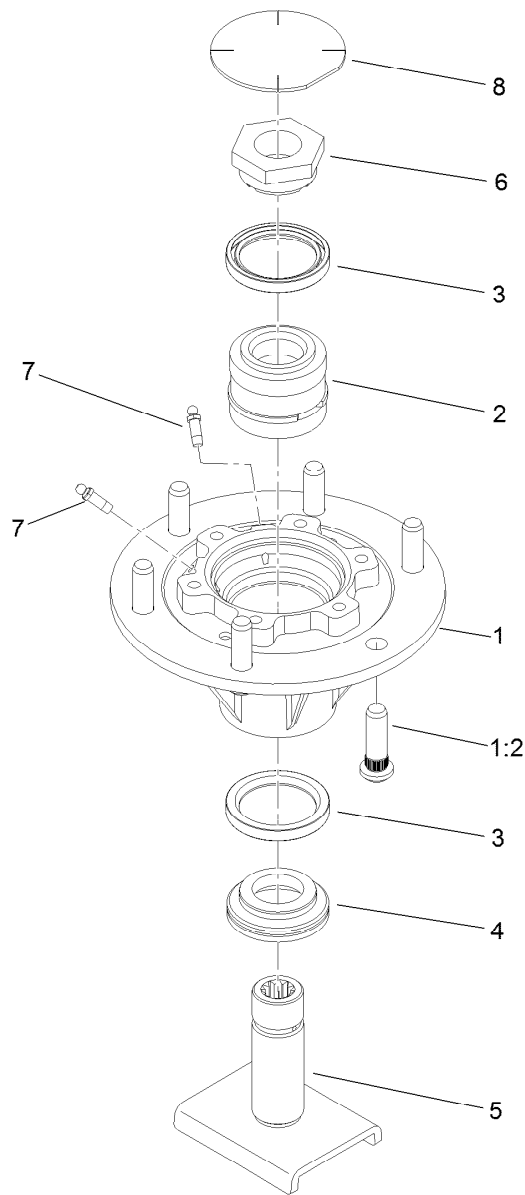
Ref.	Part Number	Qty.	Description
1	100-5797-03	1	Bracket-HOC, RH
2	323-12	2	Screw-HH
3	80-6990	2	Washer-Hardened
4	104-1052-03	1	Bracket-HOC, Front
5	100-5799	18	Shim-HOC, .060 Inch
6	3231-9	4	Screw-CARR
7	104-4641	3	Shim-HOC, .030 Inch
8	32128-43	6	Nut-Flange
9	3234-24	3	Screw-HHF
10	121-3575	3	Spacer-HOC
11	104-4624-03	1	Bracket-HOC, LH
12	136-2921	3	HOC Plate ASM
12:2	32121-2	1	Pin-Roll, Slotted



Chamber, Blade and Spindle Assembly

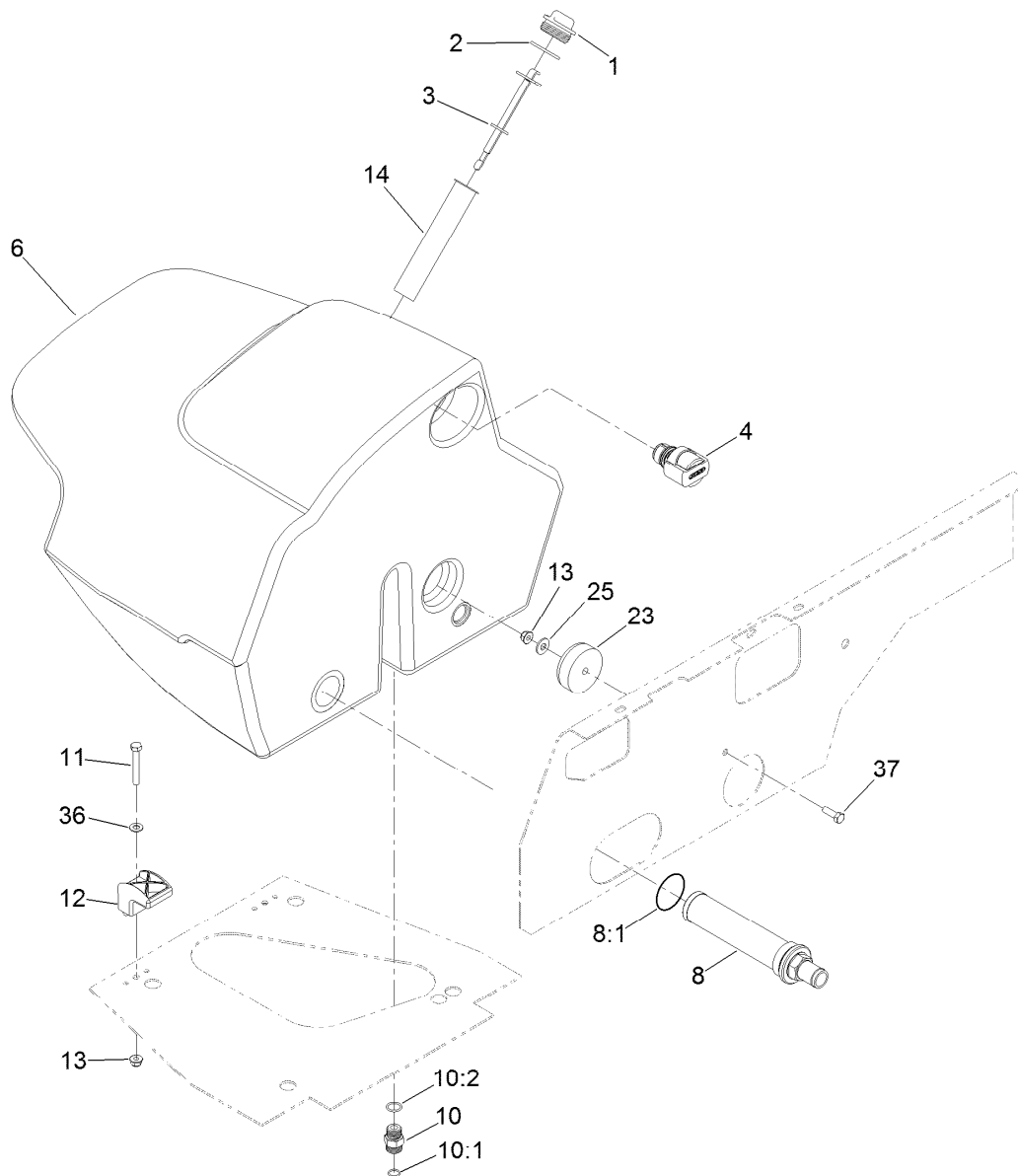
Ref.	Part Number	Qty.	Description
1	32128-39	6	Nut-HF
3	104-1051-03	1	Plate-Spindle
4	127-6389	1	Deck Chamber Service ASM
4:1		1	Chamber ASM ●
4:1:2	117-4764	2	Decal-Danger
4:1:3	93-7818	1	Decal-Torque, Blade Bolt
4:1:4	121-3627	1	Decal-Height Of Cut
5	237-161	1	O-Ring
6	121-3666	1	Spindle ASM
8	107-0235-03	1	Blade-Atomic
8	108-9026	1	Blade-27", Combo
9	72-9361	1	Cup-Scalp, Anti
10	92-5816	1	Bolt-Blade
11	108-9025-01	1	Baffle-Mulching
12	46-8560	5	Screw-HHFTF

● Not serviced separately



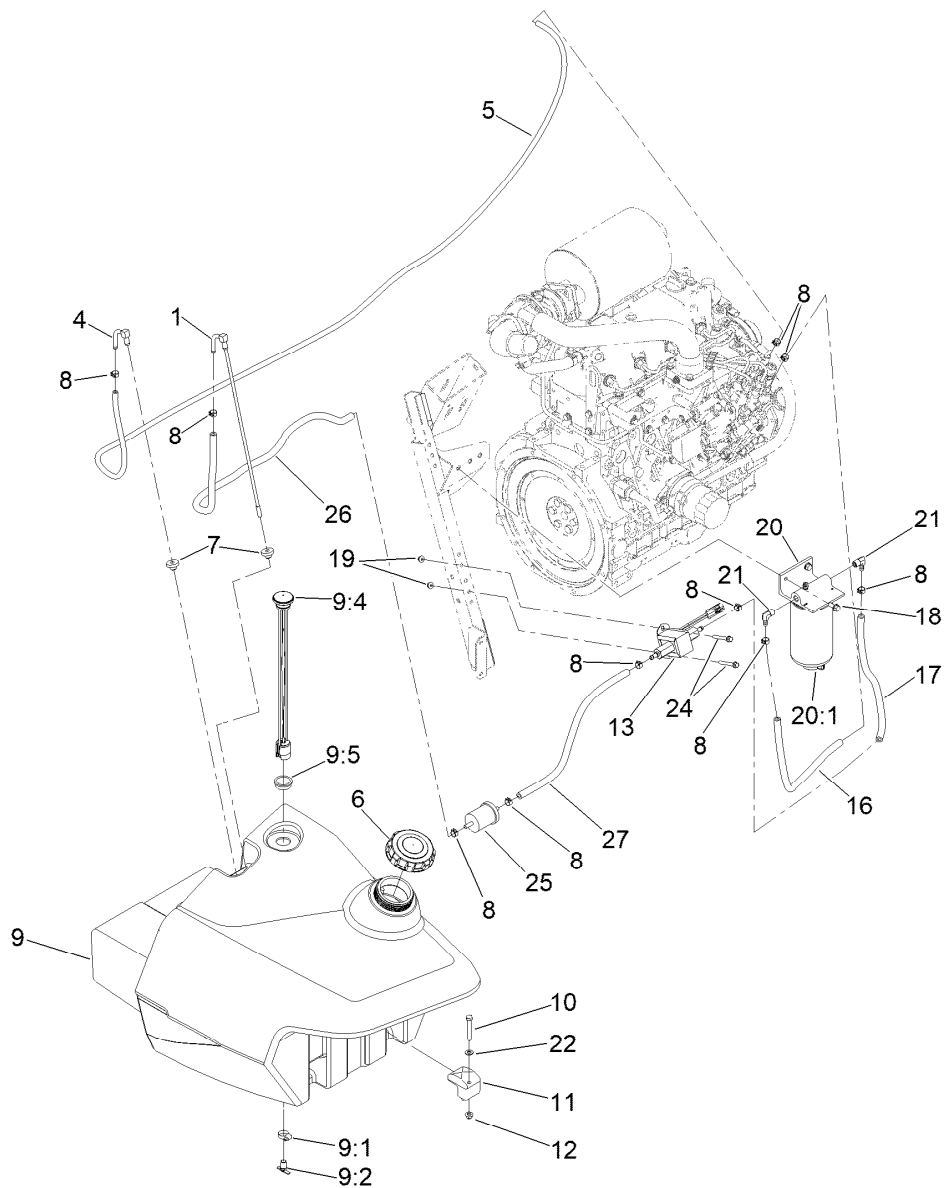
Spindle Assembly No. 121-3666

<i>Ref.</i>	<i>Part Number</i>	<i>Qty.</i>	<i>Description</i>
1	115-3434	1	Spindle
1:2	10-6830	6	Stud-Type, Drive
2	100-5703	1	Spacer And Bearing ASM
3	253-154	2	Seal-Oil
4	138-6416	1	Spacer-Spindle, Shaft
5	121-3664	1	Spindle Shaft ASM
6	100-5709	1	Nut-Spindle, Spcl
7	302-62	2	Fitting-Grease
8	94-2703	1	Plug



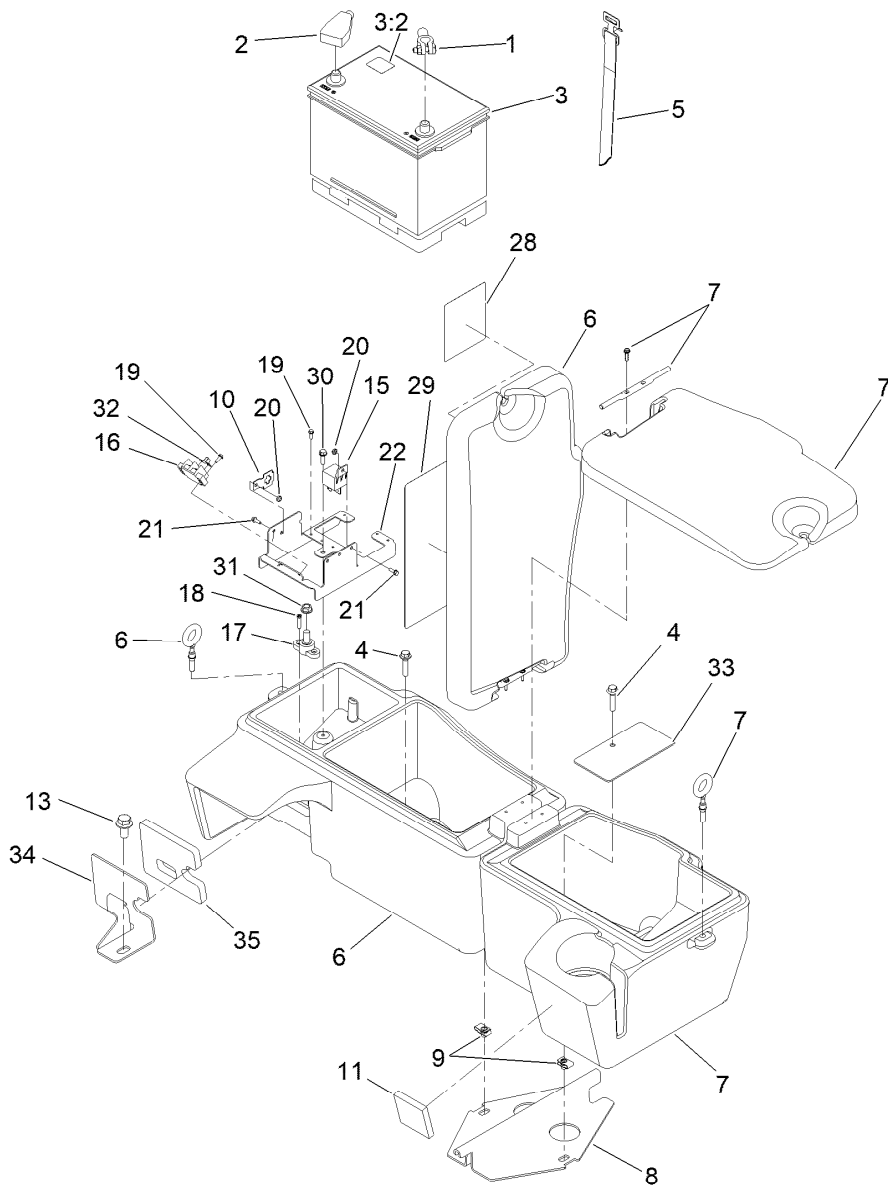
Hydraulic Tank Assembly

<i>Ref.</i>	<i>Part Number</i>	<i>Qty.</i>	<i>Description</i>	<i>Ref.</i>	<i>Part Number</i>	<i>Qty.</i>	<i>Description</i>
1	93-7498	1	Plug-Plastic	10:2	237-79	1	O-Ring
2	237-101	1	O-Ring	11	322-11	2	Screw-HH
3	119-6968	1	Dipstick-Oil	12	107-4543	2	Clamp
4	115-9793	1	Breather	13	119-4041	3	Nut-HF
6	119-0017	1	Tank-HYD	14	61-2790	1	Filter-Screen
8	104-7546	1	Tank Strainer ASM	23	108-1605	1	Bumper-Recess
8:1	340-136	1	O-Ring	25	3256-3	1	Washer-Flat
10	340-4	1	Fitting-Straight	36	3256-23	2	Washer-Plain
10:1	237-30	1	O-Ring	37	322-5	1	Screw-HH



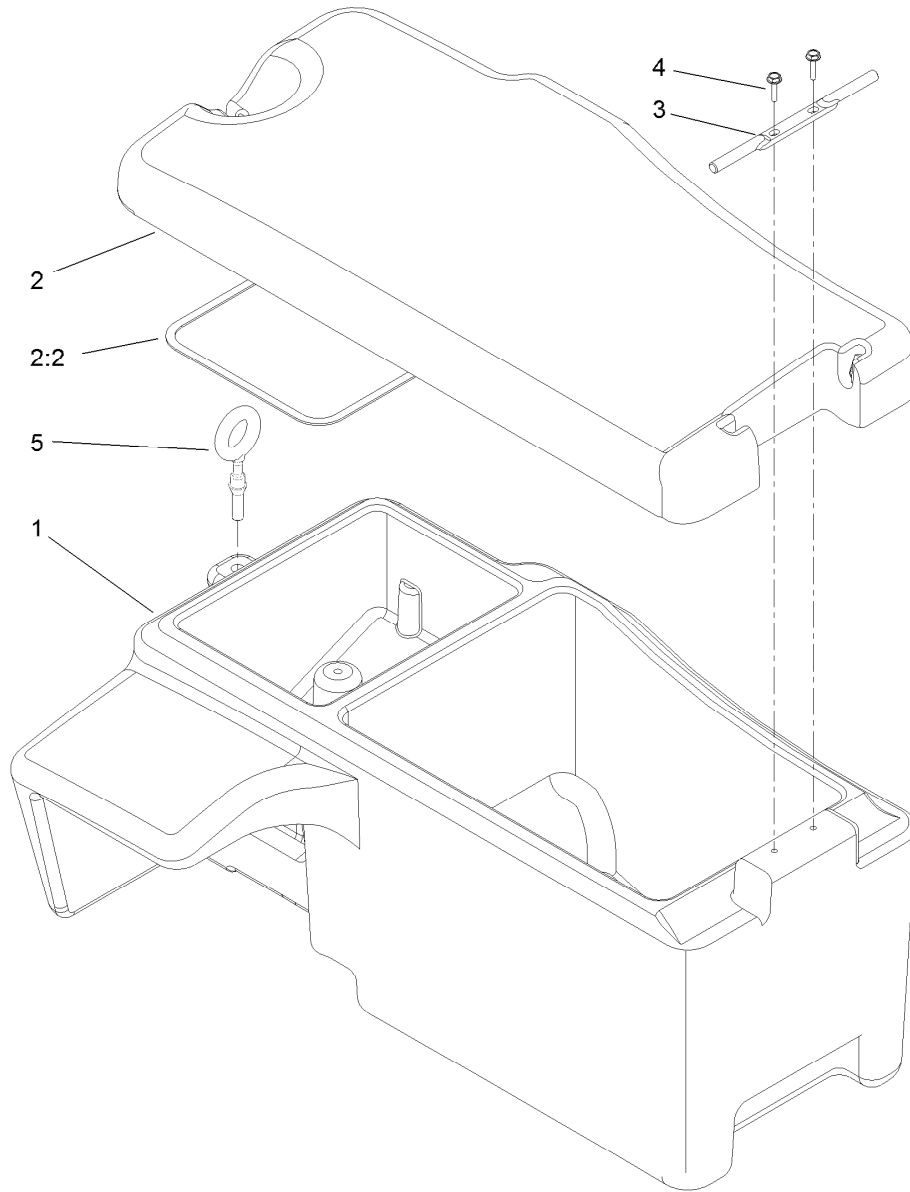
Fuel System Assembly

<i>Ref.</i>	<i>Part Number</i>	<i>Qty.</i>	<i>Description</i>	<i>Ref.</i>	<i>Part Number</i>	<i>Qty.</i>	<i>Description</i>
1	115-4354	1	Tube-Suction, Fuel	13	145-3160	1	Pump-Fuel, Electric
4	121-3127	1	Fitting-Return	16	110-6186	1	Hose-Fuel
5	119-0577	1	Hose-Fuel	17	110-4113	1	Hose-Fuel
6	114-5062	1	Cap-Biodiesel	18	3234-5	2	Screw-HHF
7	46-6560	2	Bushing	19	104-7201	2	Nut-HF, NI
8	92-2379	10	Clamp-Hose	20	125-2914	1	Filter-Separator
9	115-4353	1	Fuel Tank ASM	20:1	125-2915	1	Filter-Fuel/Water Separator
9:1	2412-36	1	Clamp-Hose	21	353-781	2	Fitting-HYD, 90
9:2	304-46	1	Draincock	22	3256-23	2	Washer-Plain
9:4	117-4790	1	Guage-Fuel	24	3234-34	2	Screw-HHF
9:5	95-8972	1	Grommet	25	98-7612	1	Filter-Fuel
10	322-11	2	Screw-HH	26	125-8514	1	Hose-Fuel
11	107-4543	2	Clamp	27	114-4028	1	Hose-Fuel
12	119-4041	2	Nut-HF				



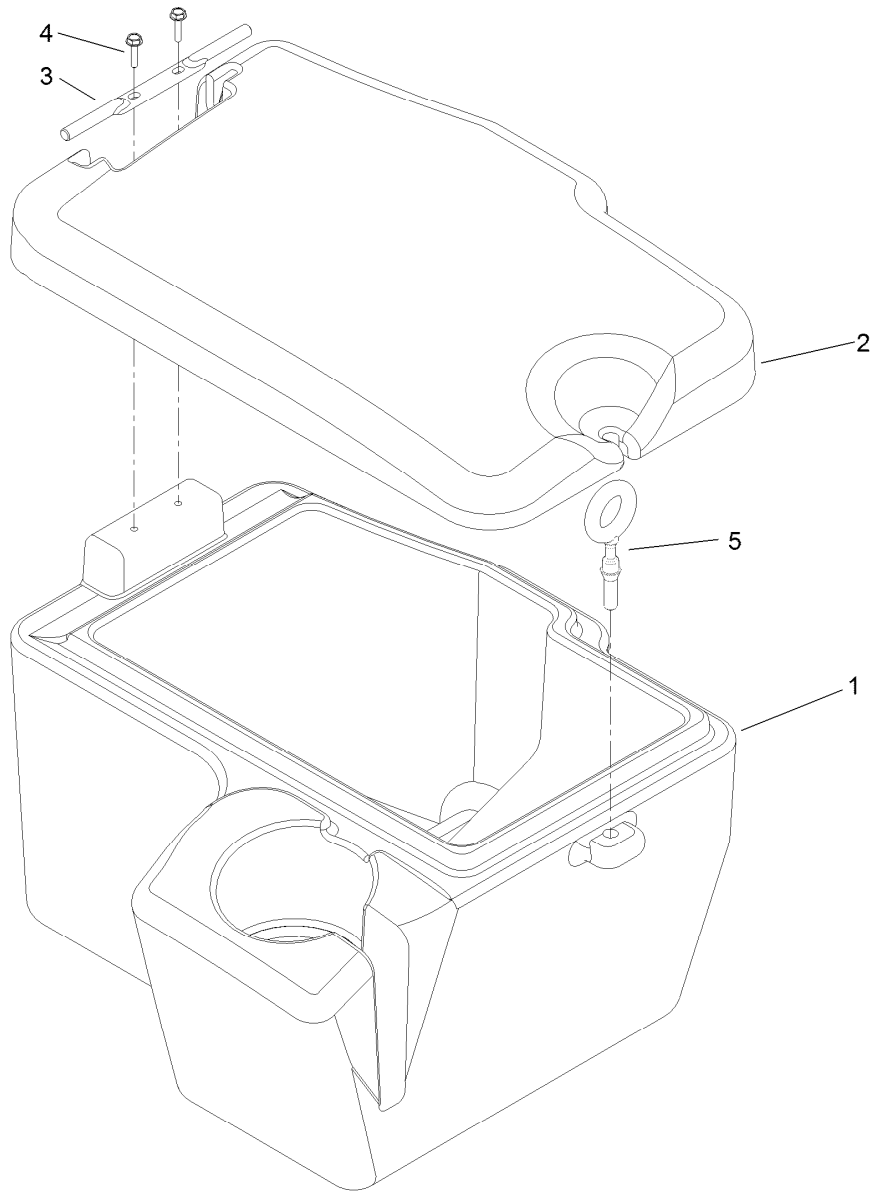
Battery Mount Assembly

Ref.	Part Number	Qty.	Description	Ref.	Part Number	Qty.	Description
1	117-2377	1	Cable-Battery, Negative	17	110-8822	1	Block-Junction
2	121-6589	1	Cable-Battery, Positive	18	93-0231	2	Screw-PPH
3	139-1005	1	Battery Kit	19	32144-87	6	Screw-HWHTF
3:2	139-1006	1	Decal	20	3296-54	4	Nut-Lock
4	115-1794	2	Screw-HHF	21	112-3169	4	Screw-HHF, Serrated
5	3339-175	1	Strapping-Web	22	115-4356-0P	1	Mount-Fuse Blocks
6	115-9100	1	Box-Storage, Battery	28	145-5257	1	Decal-Fuse, Gm45/4700
7	115-9101	1	Box-Storage	29	136-3711	1	Decal-Service
8	115-4387-0P	1	Support-Box, Storage	30	46-8091	1	Screw-HWH
9	112-3306	2	Nut	31	3290-357	1	Nut-HSF
10	114-5502	1	Clip-Fuse	32	42863	1	Strip-Jumper
11	117-4783	2	Seal-Foam	33	117-4768-0P	1	Plate-Storage Box
13	3234-6	1	Screw-HHF	34	117-4774-0P	1	Clamp [primed]
15	99-7435	3	Relay	35	117-4775	1	Seal-Battery Box
16	42862	1	Block-Terminal, Ground				



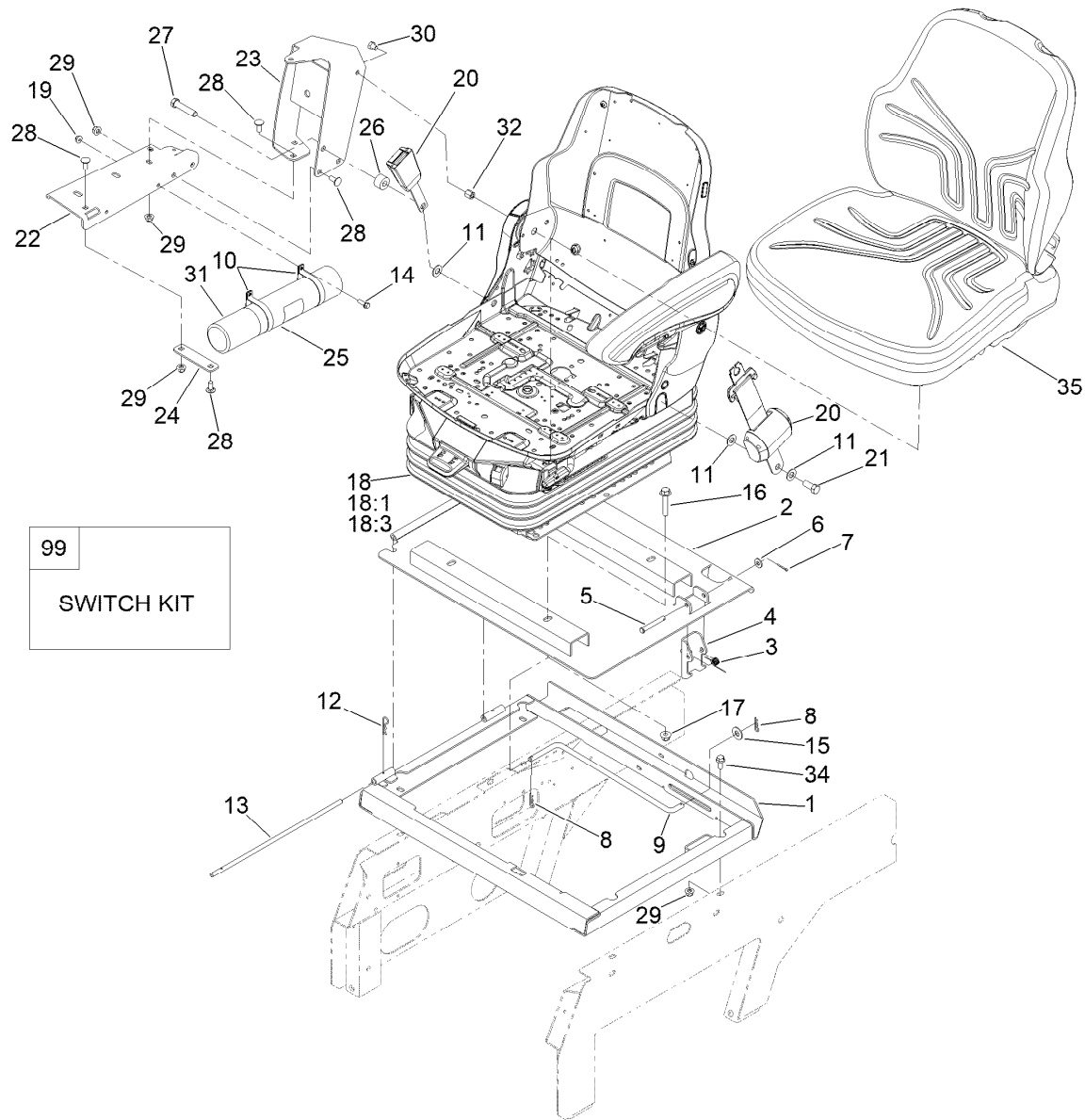
Battery Storage Box Assembly No. 115-9100

<i>Ref.</i>	<i>Part Number</i>	<i>Qty.</i>	<i>Description</i>
1	114-8124	1	Box-Storage, RH
2	115-4368	1	Cover ASM
2:2	115-4367	1	Seal-Cover
3	147-2062	1	Hinge
4	98-1375	2	Screw-HWH
5	115-4366	1	Latch-Rubber



Storage Box Assembly No. 115-9101

<i>Ref.</i>	<i>Part Number</i>	<i>Qty.</i>	<i>Description</i>
1	114-8123	1	Box-Storage, LH
2	114-8125	1	Cover-Storage Box, LH
3	147-2062	1	Hinge
4	98-1375	2	Screw-HWH
5	115-4366	1	Latch-Rubber

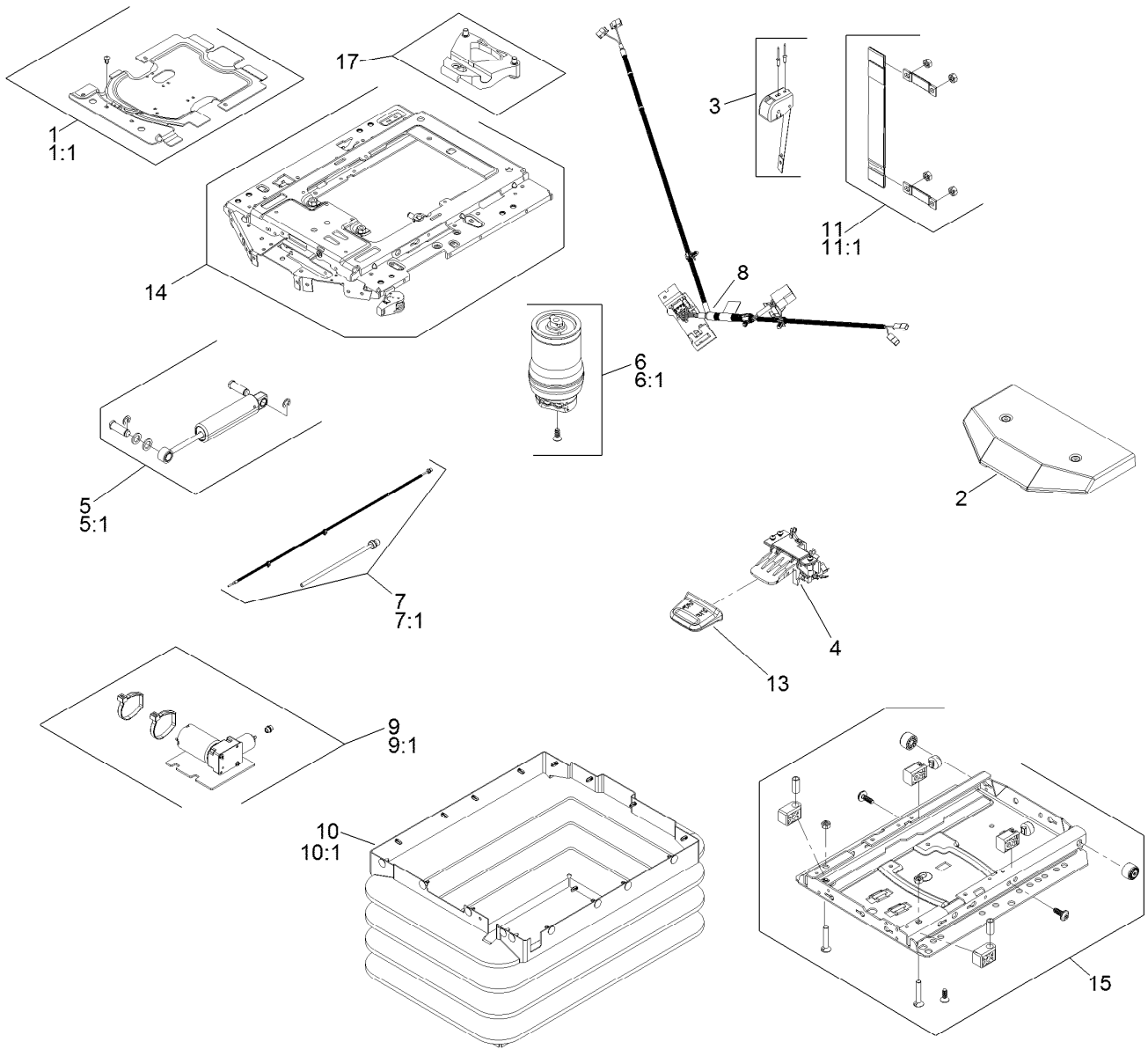


Seat Mounting Assembly

Ref.	Part Number	Qty.	Description	Ref.	Part Number	Qty.	Description
1	115-4400-03	1	Frame-Seat	18:1	130-2702	1	Air Ride Seat Suspension
2	115-4411-03	1	Plate-Seat	18:3	132-1304	1	Backrest Adjustment Kit
3	104-4821	1	Spring-Torsion	19	104-7201	2	Nut-HF, NI
4	115-4423-03	1	Latch-Seat Plate	20	110-0413	1	Seatbelt-Retractable
5	110-0618	1	Pin-Clevis	21	3212-4	1	Screw-HH
6	3256-2	1	Washer-Flat	22	119-0000-03	1	Channel-Support
7	3272-6	1	Pin-Cotter	23	117-4798-03	1	Arm-Support
8	3290-307	4	Pin-Cotter	24	112-7449	1	Strap-Support
9	117-4797	2	Rod-Seat Frame	25	104-7050	1	Tube-Manual
10	107-1865	2	R-Clamp	26	17-7190	1	Spacer-Finger
11	3256-25	3	Washer-Flat	27	3212-8	1	Screw-HH
12	3290-467	1	Pin-Hair	28	137-3061	6	Bolt-CARR
13	75-3400	1	Shaft-Pivot, Seat	29	119-4041	9	Nut-HF
14	32105-15	2	Screw-HWH	30	108-8646	1	Screw-HH, Lock
15	3256-4	2	Washer-Flat	31	104-7048	1	Cap-Housing
16	66-9302	4	Screw-HHF Lock	32	112-7405	1	Nut-Hex, Coupling
17	119-4042	4	Nut-HF, NI	34	3234-47	4	Screw-HHF
18		1	Seat And Suspension ASM	35	117-5676	1	Premium Seat ASM
		■		99	108-8024	1	Switch Kit ●

● Not illustrated

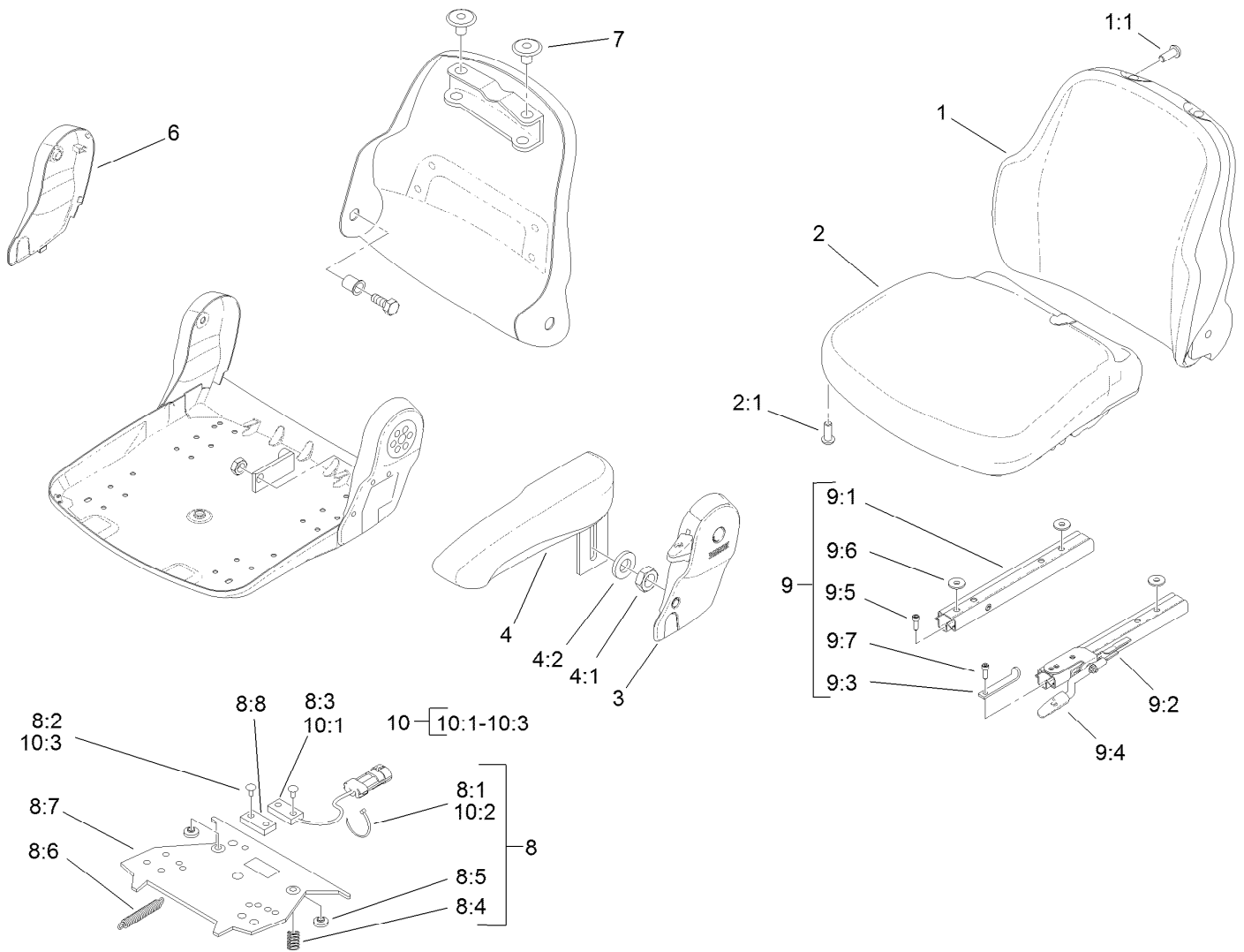
■ Not serviced separately



Air Ride Seat Suspension Assembly No. 130-2702

<i>Ref.</i>	<i>Part Number</i>	<i>Qty.</i>	<i>Description</i>	<i>Ref.</i>	<i>Part Number</i>	<i>Qty.</i>	<i>Description</i>
1	130-2709	1	Cover ASM	9	130-2719	1	Compressor
1:1	130-2710	1	Cover Kit	9:1	130-2720	1	Compressor Kit
2	108-8027	1	Cover	10	130-2721	1	Bellows ASM
3	130-2711	1	Control-Level	10:1	130-2722	1	Bellows Kit
4	108-8029	1	Valve-Control, Air	11	130-2723	1	Tether
5	130-2712	1	Shock Absorber ASM	11:1	130-2724	1	Tether Kit
5:1	130-2713	1	Shock Absorber Kit	12	130-2725	1	Wear Parts Kit ●
6	130-2714	1	Air Spring ASM	13	130-2726	1	Handle
6:1	130-2715	1	Air Spring Kit	14	130-2727	1	Upper Suspension Kit
7	130-2716	1	Air Tube ASM	15	130-2728	1	Lower Suspension Kit
7:1	130-2717	1	Air Tube Kit	16	130-2729	1	Adjuster Mounting Kit ●
8	147-1720	1	Wire Harness ASM	17	130-2730	1	Limiters-Thrust

● Not illustrated

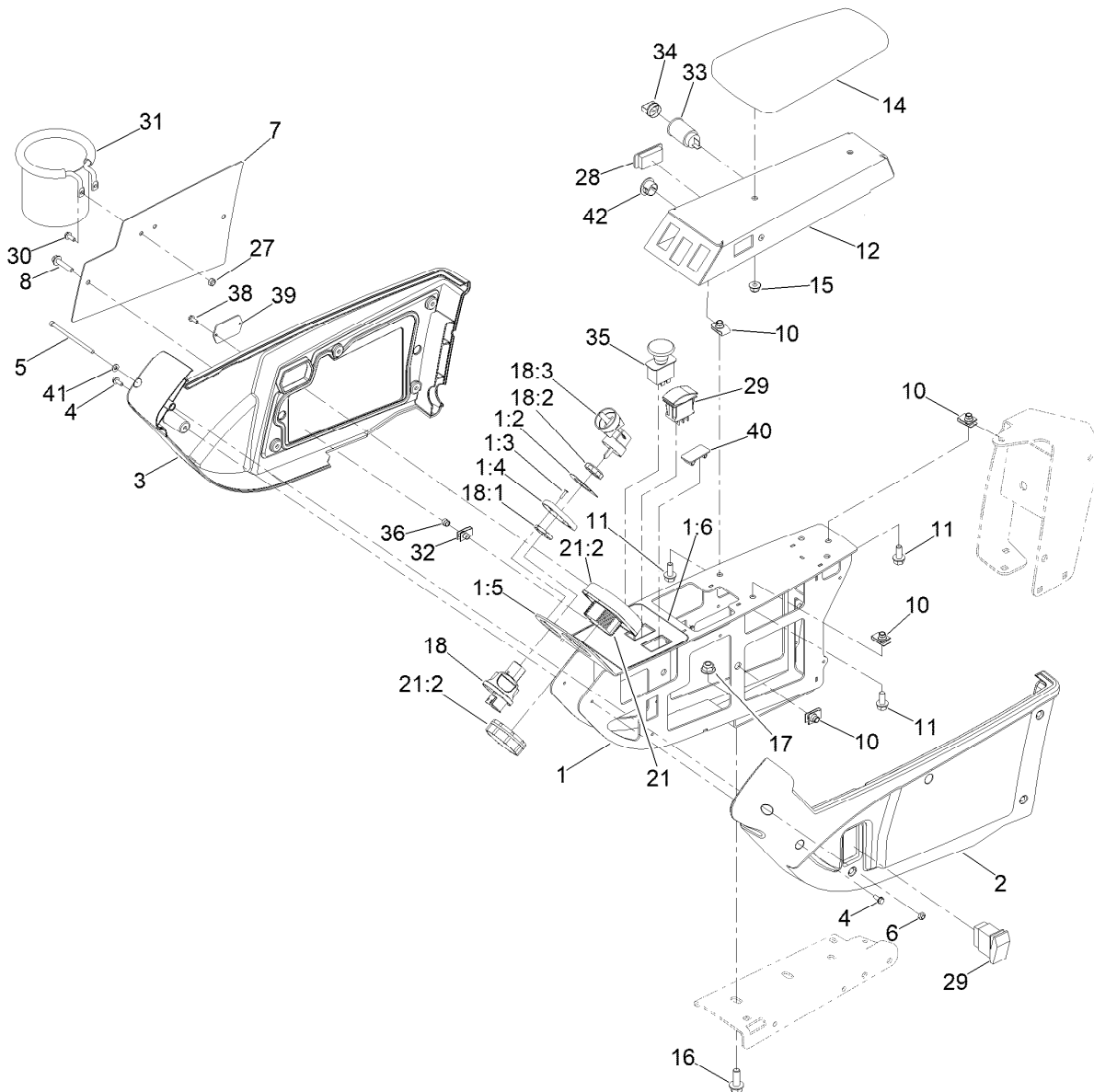


Vinyl Premium Seat Assembly No. 117-5676

Ref.	Part Number	Qty.	Description
1	108-8016	1	Backrest Cushion ASM
1:1	119-7742	4	Screw-Cushion
2	108-8017	1	Seat Cushion ASM
2:1	119-7742	3	Screw-Cushion
3	108-8018	1	Cover-Armrest
4	108-8019	1	LH Armrest ASM
4:1	82-9650	1	Nut
4:2	107-1198	1	Washer
6	108-8021	1	Cover-Armrest
7	108-8022	2	Cover-Black
8	108-8024	1	Switch Kit
8:1		3	Wire Tie ●
8:2		4	Rivet ●
8:3		1	Sensor-Seat Switch ●
8:4		2	Spring-Compression ●
8:5		2	Bumper-Pressure Plate ●

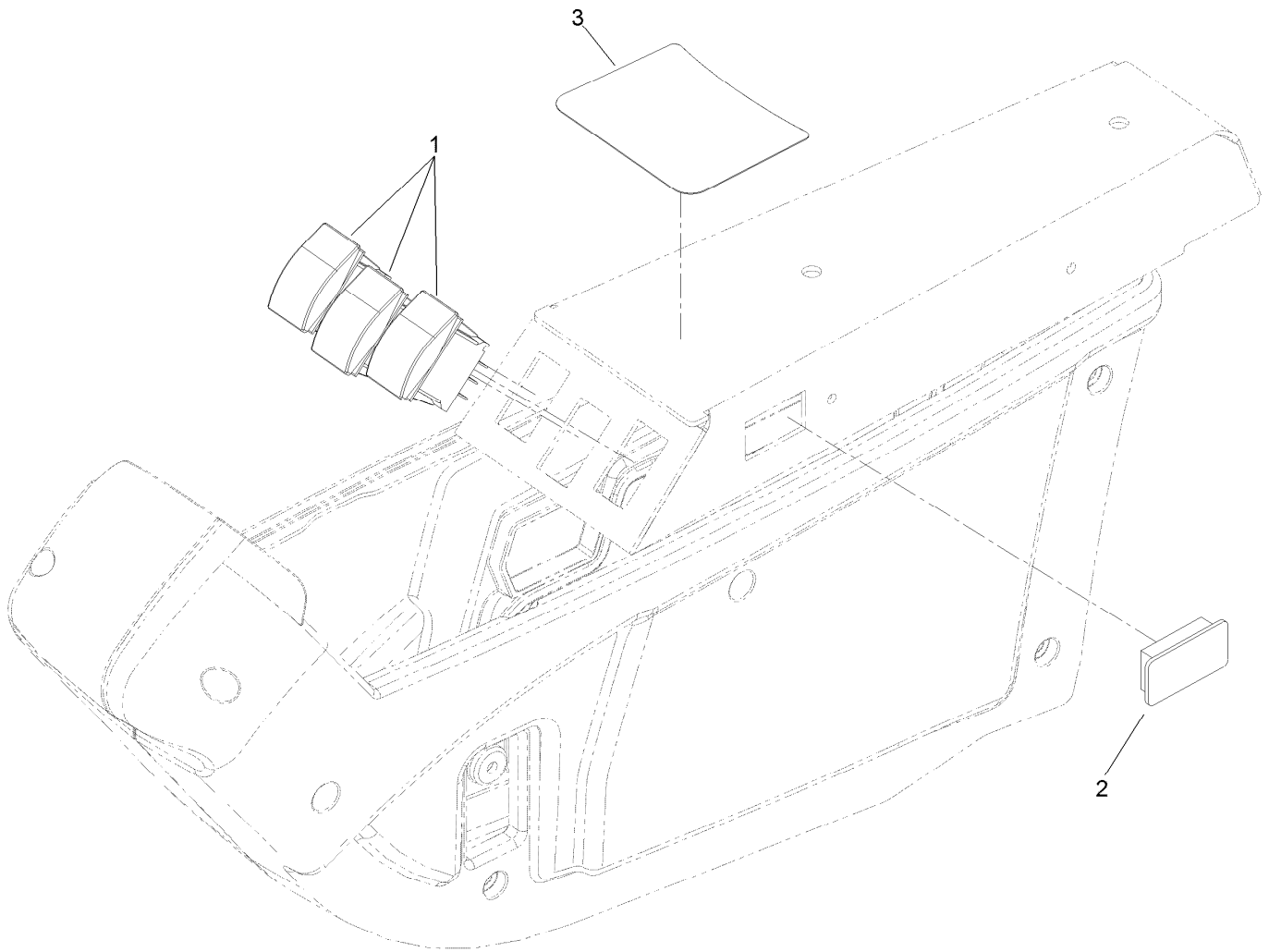
Ref.	Part Number	Qty.	Description
8:6		1	Spring-Extension ●
8:7		1	Plate-Mounting ●
8:8		1	Magnet ●
9	108-8025	1	Adjustment Rail Set
9:1		1	Rail-Adjustment, RH ●
9:2		1	Rail-Adjustment, LH ●
9:3		1	Stop-Rail ●
9:4		1	Handle ●
9:5		3	Screw ●
9:6		3	Washer ●
9:7		1	Screw ●
10	110-6189	1	Switch Kit
10:1		1	Switch ●
10:2		3	Wire Tie ●
10:3		2	Rivet ●

● Not serviced separately



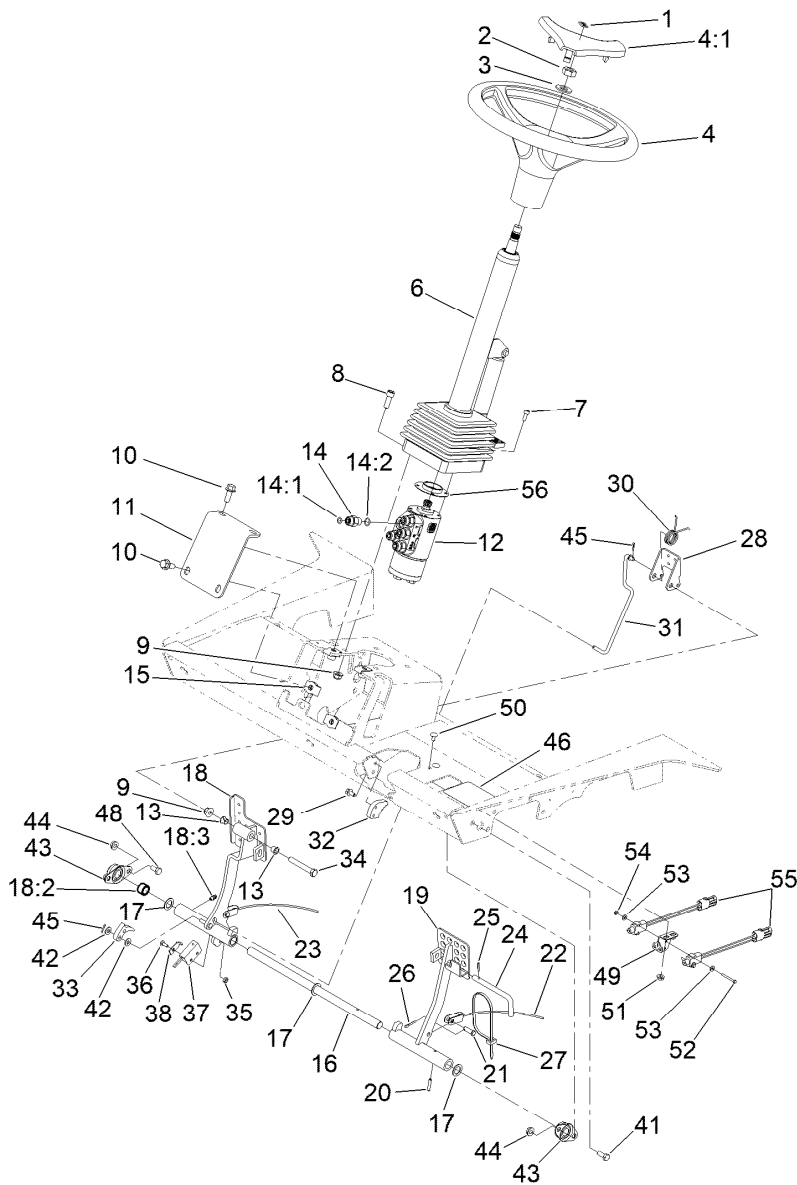
Console Assembly

Ref.	Part Number	Qty.	Description	Ref.	Part Number	Qty.	Description
1	136-3325	1	Panel ASM	18:1	121-5160	1	Nut-Hex
1:2	136-3185	1	Decal-Console, Lower	18:2	122-2704	1	Nut-Face, M22 (Plastic)
1:3	121-3887	1	Decal-Console, Display	18:3	121-5162	1	Set-Key, Ignition
1:4	121-3889	1	Step-Elevated, Switch	21	161-1700	1	Display-LCD
1:5	3269-17	2	Rivet-Pop	21:2	161-1723	1	Nut-Display
1:6	121-3884	1	Decal-Console, Upper	27	3296-2	2	Nut-Lock, NI
2	108-7604	1	Cover-LH	28	114-3329	1	Switch-Rocker
3	108-7605	1	Cover-RH	29	95-8999	2	Switch-Rocker, On-None-On
4	32144-112	10	Screw-HWH	30	3290-321	2	Screw-HWH
5	161-8374	1	Screw-HSH	31	161-8355	1	Cup Holder ASM
6	3296-12	1	Nut-Lock, NI	32	107069	2	Clip
7	115-8849-03	1	Plate-Cover	33	99-7411	1	Point-Power
8	3234-21	2	Screw-HHF	34	99-7416	1	Cap
10	94-2413	5	Nut-U	35	93-9999	1	Switch-PTO
11	3234-5	5	Screw-HHF	36	110-0542	2	Spacer-Flange
12	136-4389-03	1	Panel-Control	38	32144-18	2	Screw-HWH
14	108-7602	1	Rest-Arm	39	121-1630	1	Plate-Cover
15	119-4041	2	Nut-HF	40	99-7420	1	Plug-Hole
16	3234-42	2	Screw-HHF	41	3256-51	1	Washer-Flat
17	119-4042	2	Nut-HF, NI	42	94-5627	1	Plug-Dome
18	121-5159	1	Switch-Ignition				



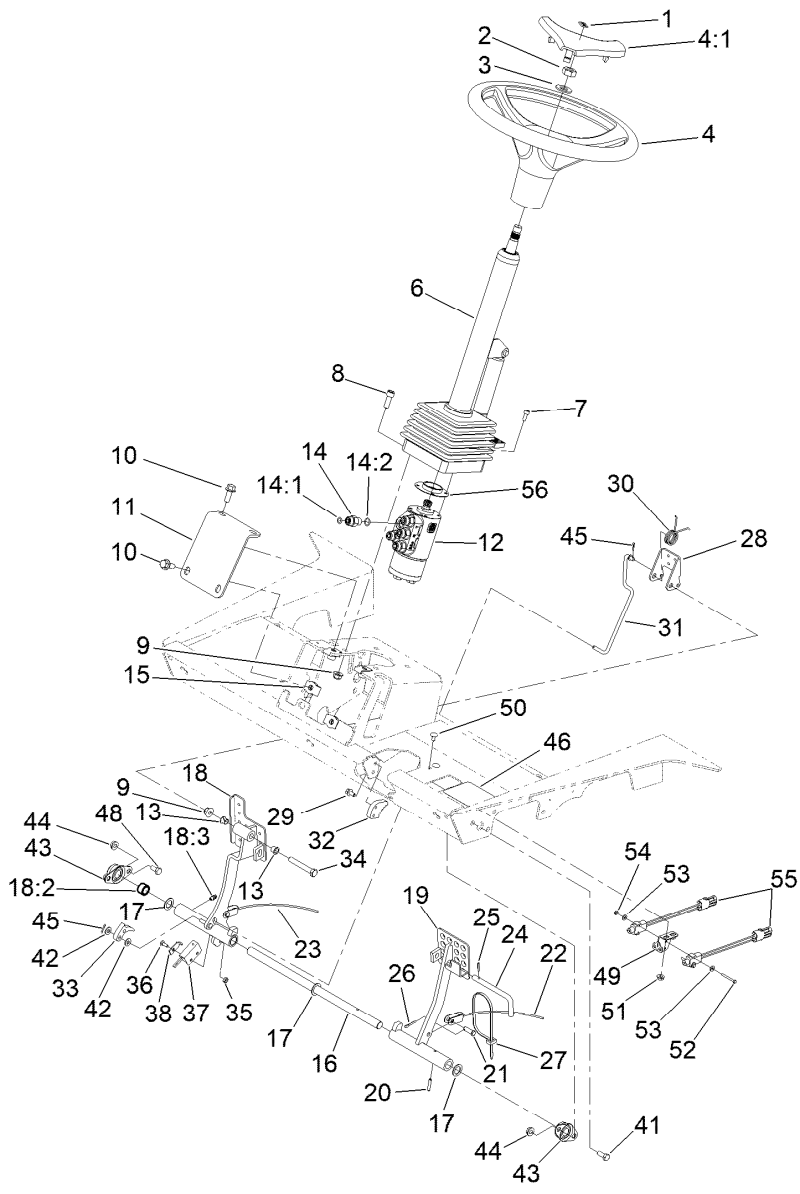
Control Arm Switch Assembly

<i>Ref.</i>	<i>Part Number</i>	<i>Qty.</i>	<i>Description</i>
1	100-1535	3	Switch-Rocker, (On)-Off-(On)
2	99-7420	1	Plug-Hole
3	127-3700	1	Decal-Lift



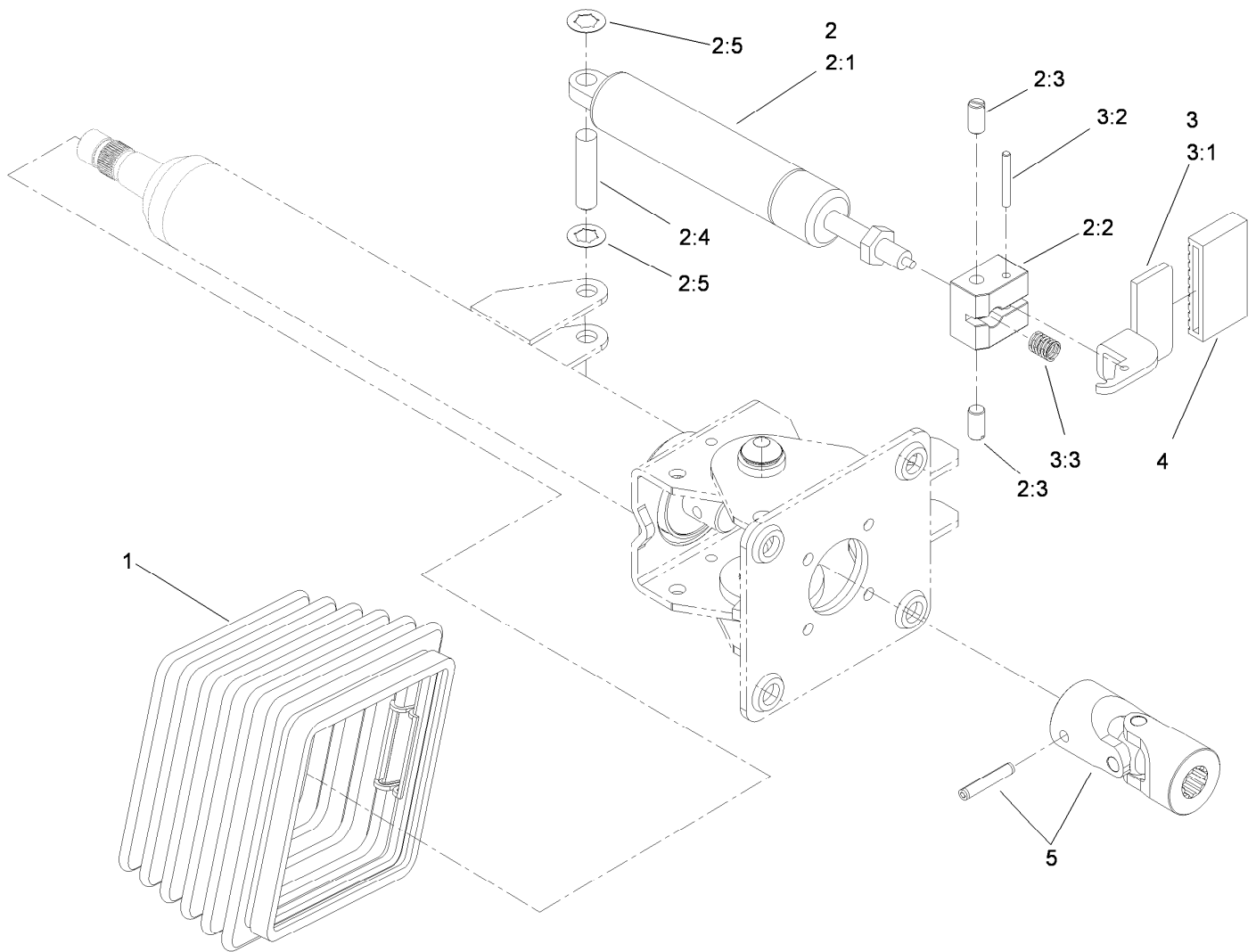
Steering and Brake Assembly

Ref.	Part Number	Qty.	Description	Ref.	Part Number	Qty.	Description
1	98-1459	1	Decal	18:3	302-5	1	Fitting-Grease
2	3296-33	1	Nut-Lock, NI	19	136-2887-03	1	Pedal-Brake, LH
3	3256-27	1	Washer-Flat	20	32121-16	1	Pin-Spring
4	98-1471	1	Wheel-Steering	21	283-58	2	Pin-Clevis
4:1	98-1468	1	Cover-Wheel, Steering	22	92-7530	1	Cable-Brake, LH
6	106-3622	1	Steering Tilt Column ASM	23	92-7529	1	Cable-Brake, RH
7	105-2409	4	Screw-HSH	24	63-7880	1	Pin-Latch, Brake
8	3274-7	4	Screw-HSH	25	32121-50	1	Pin-Spring
9	119-4042	5	Nut-HF, NI	26	3272-11	2	Pin-Cotter
10	3234-11	4	Screw-HHF	27	3290-378	1	Tie-Cable
11	115-4379-0P	1	Brace-Column	28	99-7963-03	1	Pedal-Park
12	114-8119	1	Steering Valve ASM	29	3234-13	2	Screw-HHF
13	52-2891	2	Bushing-Flanged, Nylon	30	99-7140	1	Spring-Torsion
14	340-2	5	Fitting-Straight	31	115-4417	1	Rod-Brake Pawl
14:1	237-22	1	O-Ring	32	119-0002	1	Pawl-Brake
14:2	237-42	1	O-Ring	33	120-1691	1	Detent-Brake
15	105-4886	4	Nut-Tinnerman	34	323-12	1	Screw-HH
16	75-1470	1	Pin-Pivot, Brake	35	3296-2	1	Nut-Lock, NI
17	3256-69	3	Washer-Flat	36	3229-34	1	Screw-CARR
18	136-2889	1	Pedal-Brake, RH	37	100-1270	1	Switch-Proximity
18:2	256-42	2	Bushing	38	100-4872	1	Plate-Switch, Neutral



Steering and Brake Assembly (continued)

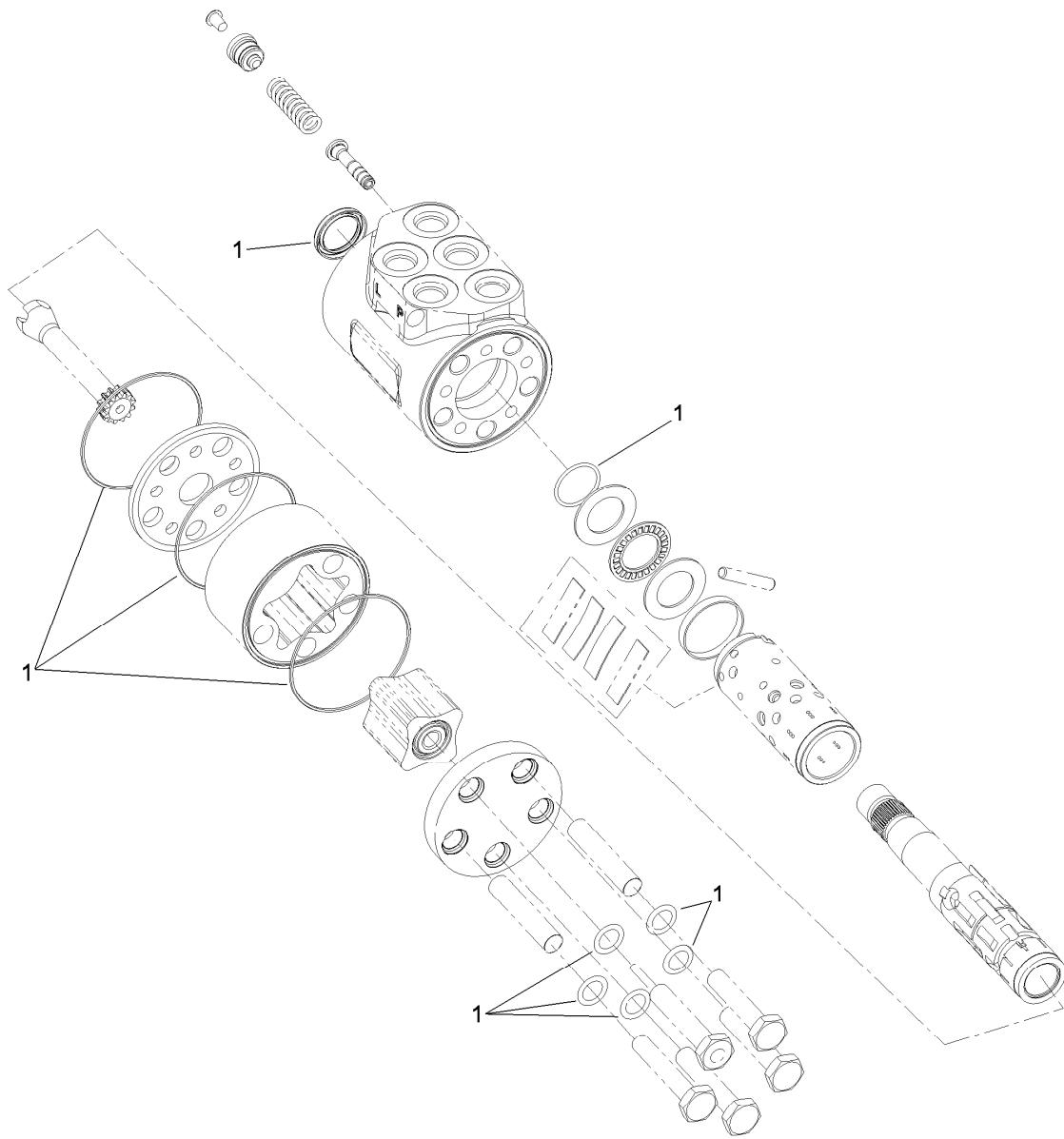
<i>Ref.</i>	<i>Part Number</i>	<i>Qty.</i>	<i>Description</i>	<i>Ref.</i>	<i>Part Number</i>	<i>Qty.</i>	<i>Description</i>
41	322-3	1	Screw-HH	50	116-5611	2	Bolt-Carriage
42	3256-22	3	Washer-Flat	51	32128-33	2	Nut-HF
43	256-236	2	Bearing-Mount, Flange	52	32105-21	2	Screw-HH
44	32128-20	3	Nut-HF	53	3256-21	4	Washer-Flat
45	3272-5	3	Pin-Cotter	54	3296-9	2	Nut-Hex
46	117-4763	1	Decal-Brake	55	99-3410	2	Switch
48	322-2	2	Screw-HH	56	163-2486	1	Spacer, Steering-Mount
49	131-7842	1	Plate-Bent, Bracket				



Steering Tilt Column Assembly No. 106-3622

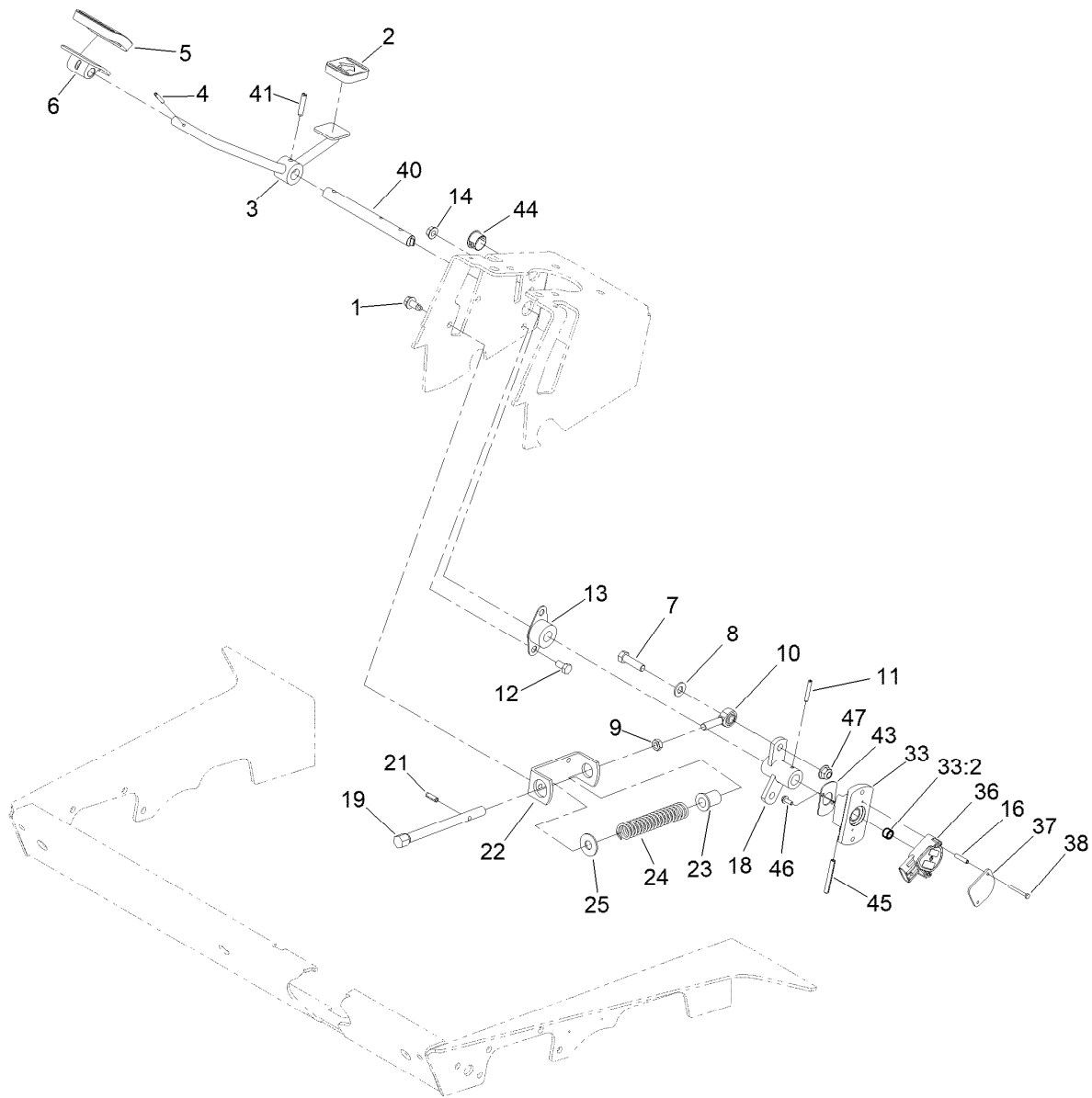
Ref.	Part Number	Qty.	Description
1	110-6462	1	Bellows-Rubber
2	110-6463	1	Cylinder Service Kit
2:1		1	Cylinder-Gas ●
2:2		1	Block-Pedal ●
2:3		2	Bolt ●
2:4		1	Pin ●
2:5		2	Washer-Lock ●
3	110-6464	1	Pedal Service Kit
3:1		1	Pedal ●
3:2		1	Pin ●
3:3		1	Spring ●
4	110-6465	1	Cover-Pedal
5	120-6256	1	Universal Joint Kit

● Not serviced separately



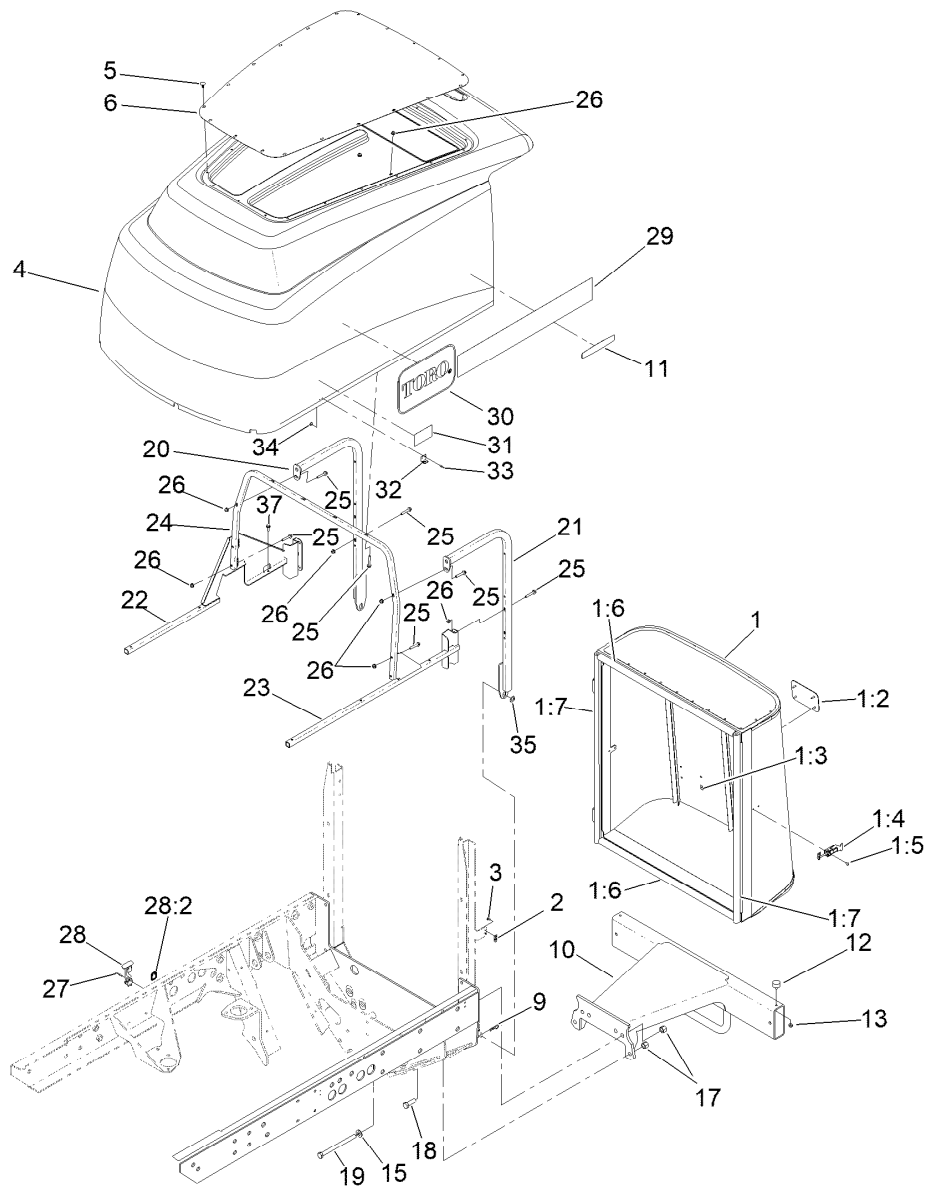
Steering Valve Assembly No. 114-8119

<i>Ref.</i>	<i>Part Number</i>	<i>Qty.</i>	<i>Description</i>
1	106-6716	1	Seal Kit



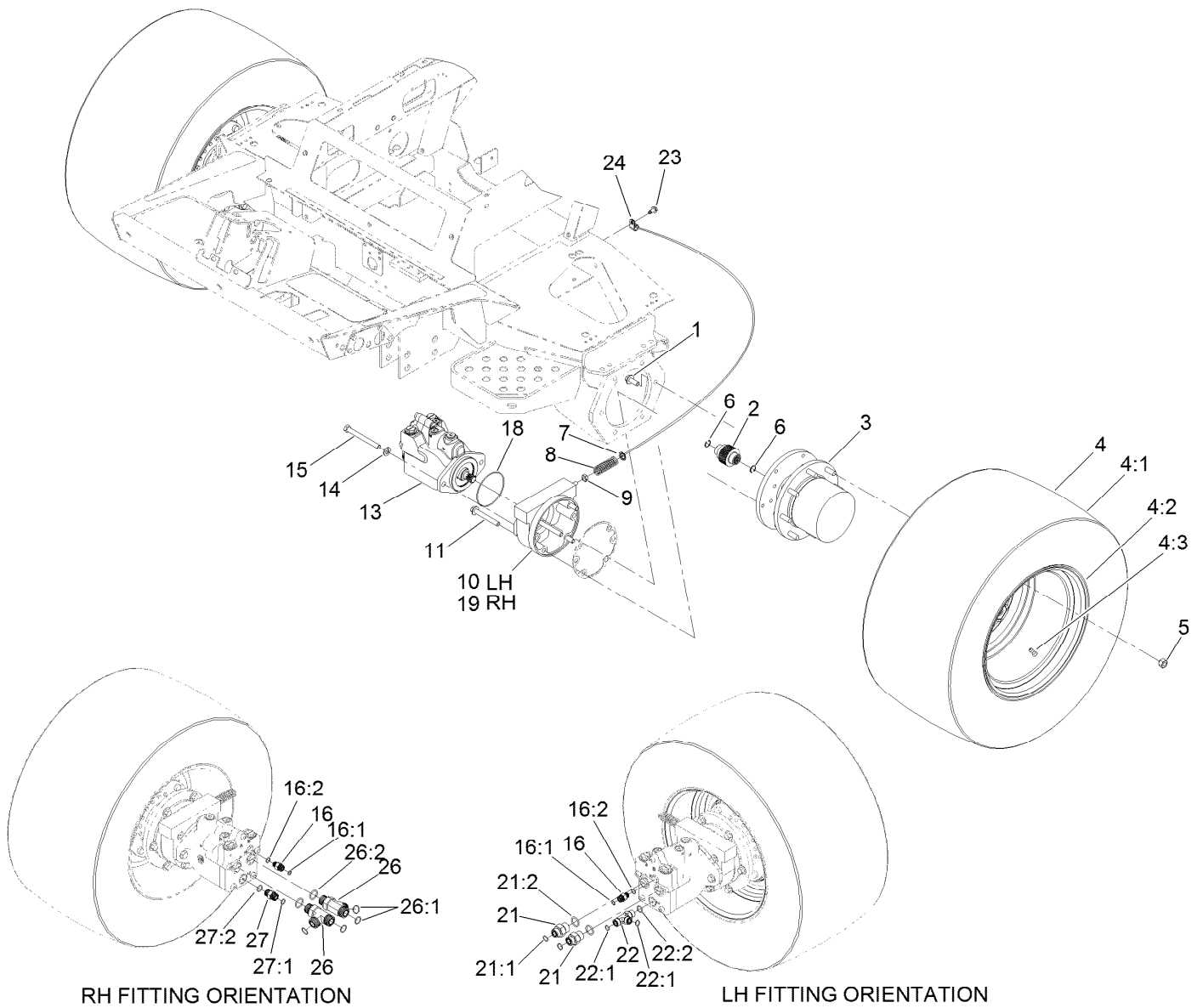
Pedal Assembly

<i>Ref.</i>	<i>Part Number</i>	<i>Qty.</i>	<i>Description</i>	<i>Ref.</i>	<i>Part Number</i>	<i>Qty.</i>	<i>Description</i>
1	32104-32	2	Screw-HWH	21	32121-11	1	Pin-Roll
2	74-9110	1	Pad-Pedal, Reverse	22	92-7608-03	1	Bracket-Spring
3	120-8095	1	Pedal	23	92-7610	1	Retainer-Spring
4	32121-45	1	Pin-Spring	24	84-9100	1	Spring
5	74-9100	1	Pad-Pedal, Forward	25	3256-5	1	Washer-Flat
6	117-9507	1	Pedal-Accelerator	33	120-8038	1	Hub ASM
7	323-29	1	Screw-HH	33:2	95-7497	1	Bushing-Wheel
8	3256-24	1	Washer-Plain	36	114-5609	1	Sensor-Position
9	3220-3	1	Nut-HJ	37	114-5595	1	Plate-Capture
10	2411-36	1	Bearing-End, Rod	38	32105-21	2	Screw-HH
11	32121-6	1	Pin-Roll, Slotted	40	120-8091	1	Shaft-Pivot, Traction
12	322-2	4	Screw-HH	41	32121-69	1	Pin-Roll
13	256-236	1	Bearing-Mount, Flange	43	120-8089	1	Plate-Cover, Sensor
14	32128-20	2	Nut-HF	44	121-3099	1	Plug-Dome, Thick
16	114-5608	2	Spacer-Standoff	45	32121-78	1	Pin-Roll
18	120-8088-0P	1	Hub-Traction Pedal Pivot	46	3290-321	2	Screw-HWH
19	115-4383	1	Shaft-Spring	47	119-4042	1	Nut-HF, NI



Hood Assembly

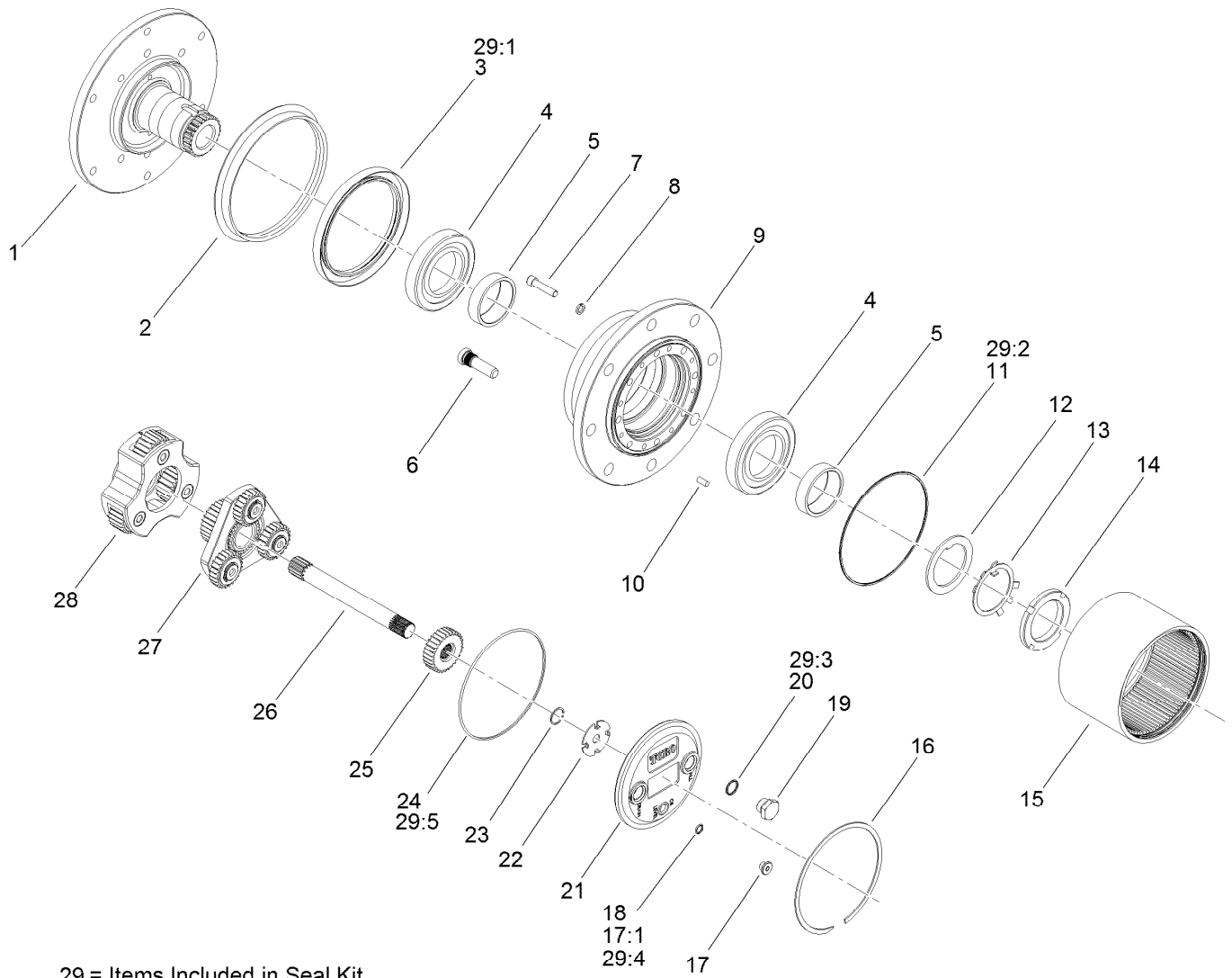
Ref.	Part Number	Qty.	Description	Ref.	Part Number	Qty.	Description
1	115-4362	1	Screen ASM	19	325-23	2	Screw-HH
1:2	93-6028	1	Plate-Logo	20	114-8108-03	1	Tube-RH
1:3	138-6996	4	Nut-Push	21	114-8109-03	1	Tube-LH
1:4	114-8117	1	Latch-Adjustable	22	121-3136-0P	1	Tube ASM R.H. [primed]
1:5	3269-3	2	Rivet-Pop	23	114-8102-0P	1	Tube ASM
1:6	115-4358	2	Seal-Bulb	24	121-3133-0P	1	Tube-Hood Frame
1:7	115-4359	2	Seal-Bulb	25	94-5781	25	Screw-HHF
2	115-4357	1	Latch-Keeper	26	104-7201	26	Nut-HF, NI
3	3269-3	2	Rivet-Pop	27	3290-55	4	Rivet-Pop
4	121-3137	1	Hood ASM	28	59-9740	2	Flex Draw Latch ASM
5	117-2382	20	Plug-Plastic	28:2	249-40	1	Keeper
6	114-4192-03	1	Screen-Hood	29	105-9876	2	Decal
9	3290-467	2	Pin-Hair	30	139-6028	2	Decal-Logo, Toro
10	120-8020-03	1	Bumper-Rear	31	106-6754	2	Decal-Danger
11	121-1594	2	Decal-Smart Power	32	249-40	2	Keeper
12	240-14	2	Bumper-Rubber	33	3269-17	4	Rivet-Pop
13	32128-33	2	Nut-HF	34	3269-10	4	Washer-Back
15	3256-26	2	Washer-Flat	35	98-1629	2	Washer
17	3296-23	4	Nut-Lock, NI	37	115-5103	1	Screw-HHF
18	325-6	2	Screw-HH				



Front Wheel Drive Assembly

Ref.	Part Number	Qty.	Description	Ref.	Part Number	Qty.	Description
1	33106-030	12	Screw-HHF	16:1	237-22	1	O-Ring
2	100-3046	2	Shaft-Brake, Splined	16:2	237-42	1	O-Ring
3	136-2913	2	Planetary ASM	18	237-166	2	O-Ring
4		2	Tire And Wheel ASM ●	19	100-3069	1	RH Brake ASM
4:1	119-0023	1	Tire	21	340-8	2	Fitting-Straight
4:2	119-0024	1	Wheel	21:1	237-65	1	O-Ring
4:3	232-24	1	Stem-Valve	21:2	237-81	1	O-Ring
5	92-7483	16	Nut-Lug	22	340-109	1	Fitting-Tee
6	93-7972	4	Ring-Retaining, Internal	22:1	237-79	1	O-Ring
7	94-3050	2	Plate-Spring	22:2	237-30	2	O-Ring
8	94-3088	2	Spring-Compression	23	32104-32	2	Screw-HWH
9	3218-4	2	Nut-Jam	24	2412-93	2	Clamp-R
10	100-3070	1	LH Brake ASM	26	340-148	2	Fitting-Tee
11	33106-080	8	Screw-HHF	26:1	237-81	1	O-Ring
13	136-2939	2	Motor-Piston, Front	26:2	237-58	2	O-Ring
14	106-9888	4	Washer-Flat	27	340-4	1	Fitting-Straight
15	33116-110	4	Screw-HH	27:1	237-30	1	O-Ring
16	340-2	2	Fitting-Straight	27:2	237-79	1	O-Ring

● Not serviced separately

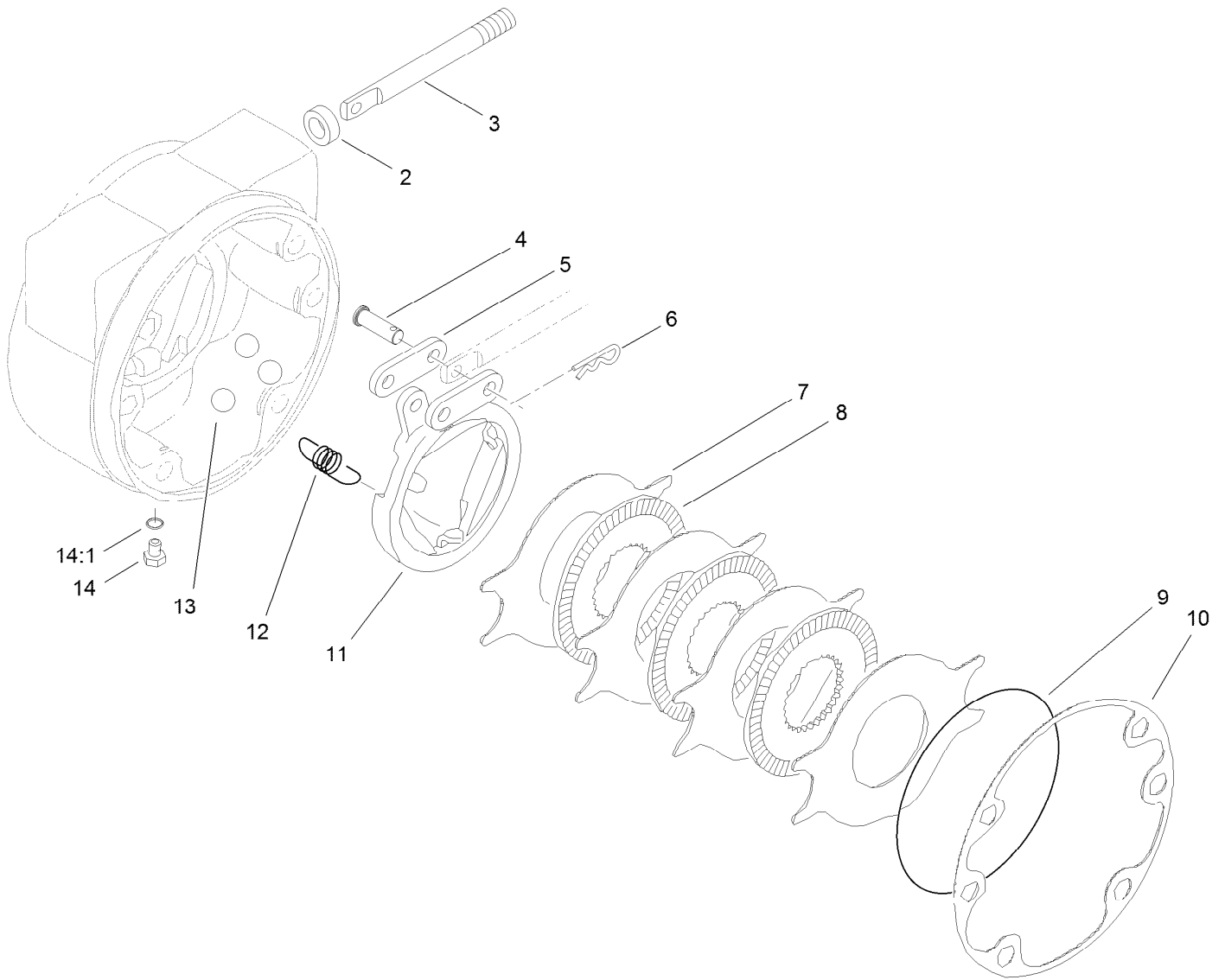


29 = Items Included in Seal Kit

Planetary Assembly No. 136-2913

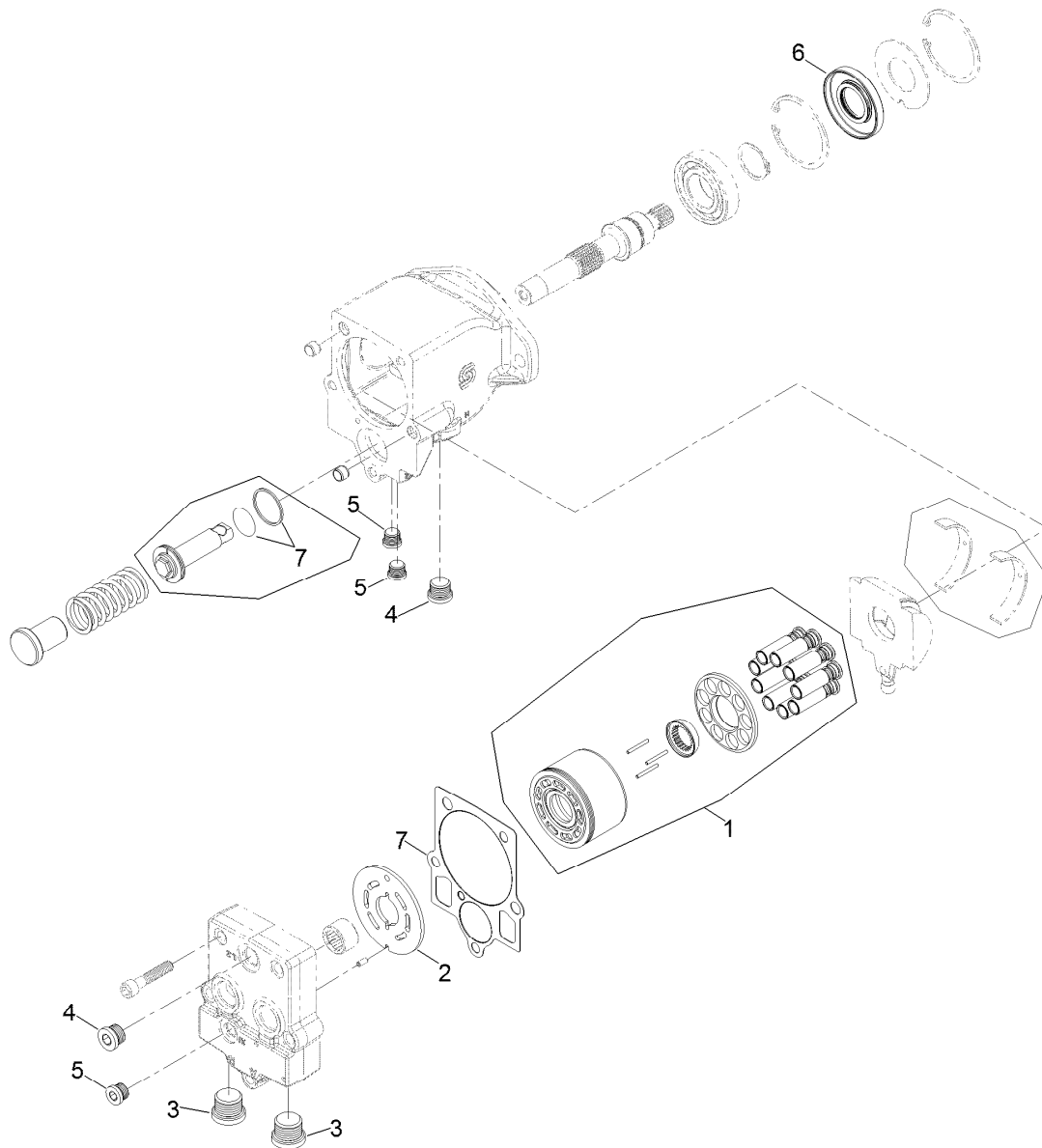
Ref.	Part Number	Qty.	Description	Ref.	Part Number	Qty.	Description
1		1	Spindle ●	18	237-78	1	O-Ring
2	138-1204	1	Seal-Boot	19	138-1211	2	Plug-Flange, Magnetic
3		1	Seal-Lip ●	20	138-1212	2	O-Ring
4	138-1205	2	Bearing-Cup	21	138-1213	1	Cap-End
5	138-1206	2	Bearing-Cone	22	138-1214	1	Washer-Thrust, Sun
6	105-8124	8	Stud-Wheel	23	105-8131	2	Ring-Retaining
7	138-1207	8	Screw-Socket Head	24		1	O-Ring ●
8	138-1208	8	Washer-Lock	25	138-1215	1	Gear-Primary, Sun
9		1	Housing ●	26	138-1216	1	Shaft-Drive
10	105-8121	4	Pin-Dowel	27	138-1217	1	Primary Carrier ASM
11		1	O-Ring ●	28	138-1218	1	Secondary Carrier ASM
12	138-6928	1	Spacer	29	138-1219	1	Seal Kit
13	138-6929	1	Washer	29:1		1	Seal-Lip ●
14	138-6930	1	Nut-Lock	29:2		1	O-Ring ●
15	138-1209	1	Gear-Ring	29:3		1	O-Ring ●
16	138-1210	1	Ring-Snap	29:4		1	O-Ring ●
17	353-990	1	Plug ASM	29:5		1	O-Ring ●
17:1	237-78	1	O-Ring				

● Not serviced separately



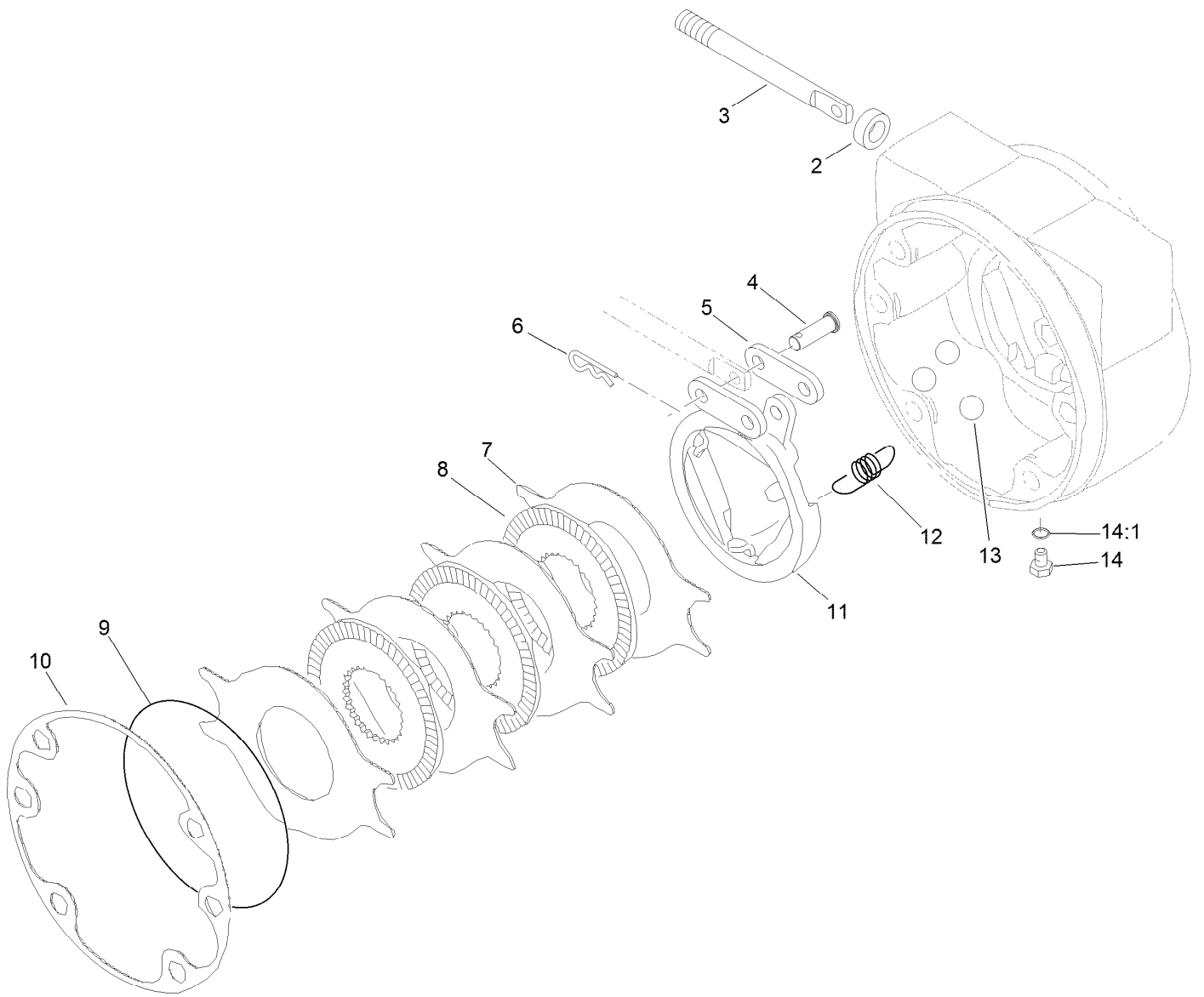
LH Brake Assembly No. 100-3070

<i>Ref.</i>	<i>Part Number</i>	<i>Qty.</i>	<i>Description</i>
2	93-7977	1	Seal
3	93-7978	1	Rod-Pull
4	93-7983	2	Pin-Clevis
5	93-7980	2	Link
6	93-7979	2	Pin-Hitch
7	93-7986	4	Disc-Stationary
8	104-4278	3	Disc-Rotating
9	93-7976	1	Ring-Retaining
10	93-7984	1	Gasket
11	104-4279	1	Actuator-Rotating
12	93-7987	3	Spring-Extension
13	93-7985	3	Ball
14	353-990	2	Plug ASM
14:1	237-78	1	O-Ring



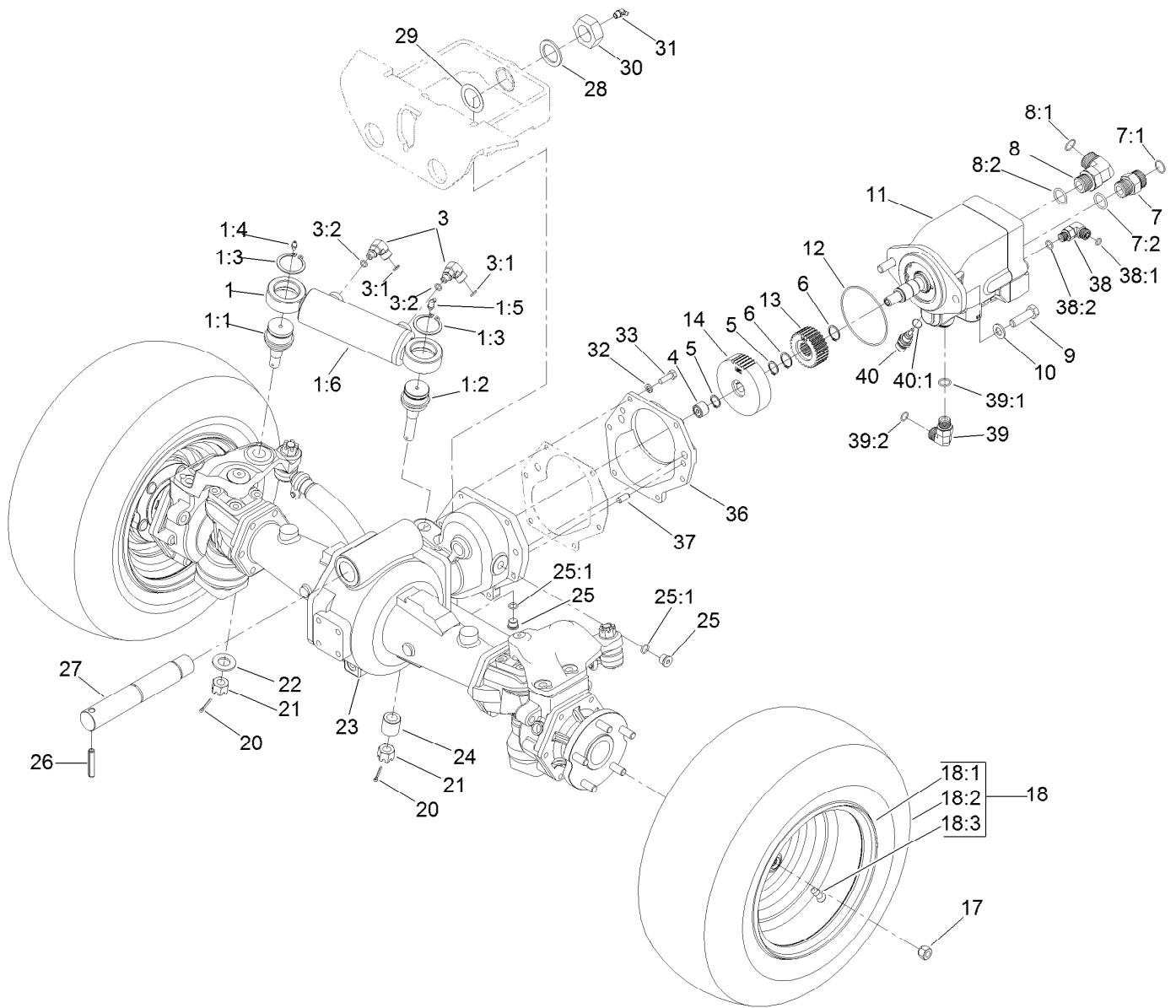
Piston Motor Assembly No. 136-2939

<i>Ref.</i>	<i>Part Number</i>	<i>Qty.</i>	<i>Description</i>
1	121-1735	1	Cylinder Block Kit
2	121-1734	1	Plate-Valve
3	69-3130	2	Plug
4	67-9090	2	Plug
5	69-3080	3	Plug
6	127-6214	1	Seal-Lip
7	138-7823	1	Overhaul Seal Kit



RH Brake Assembly No. 100-3069

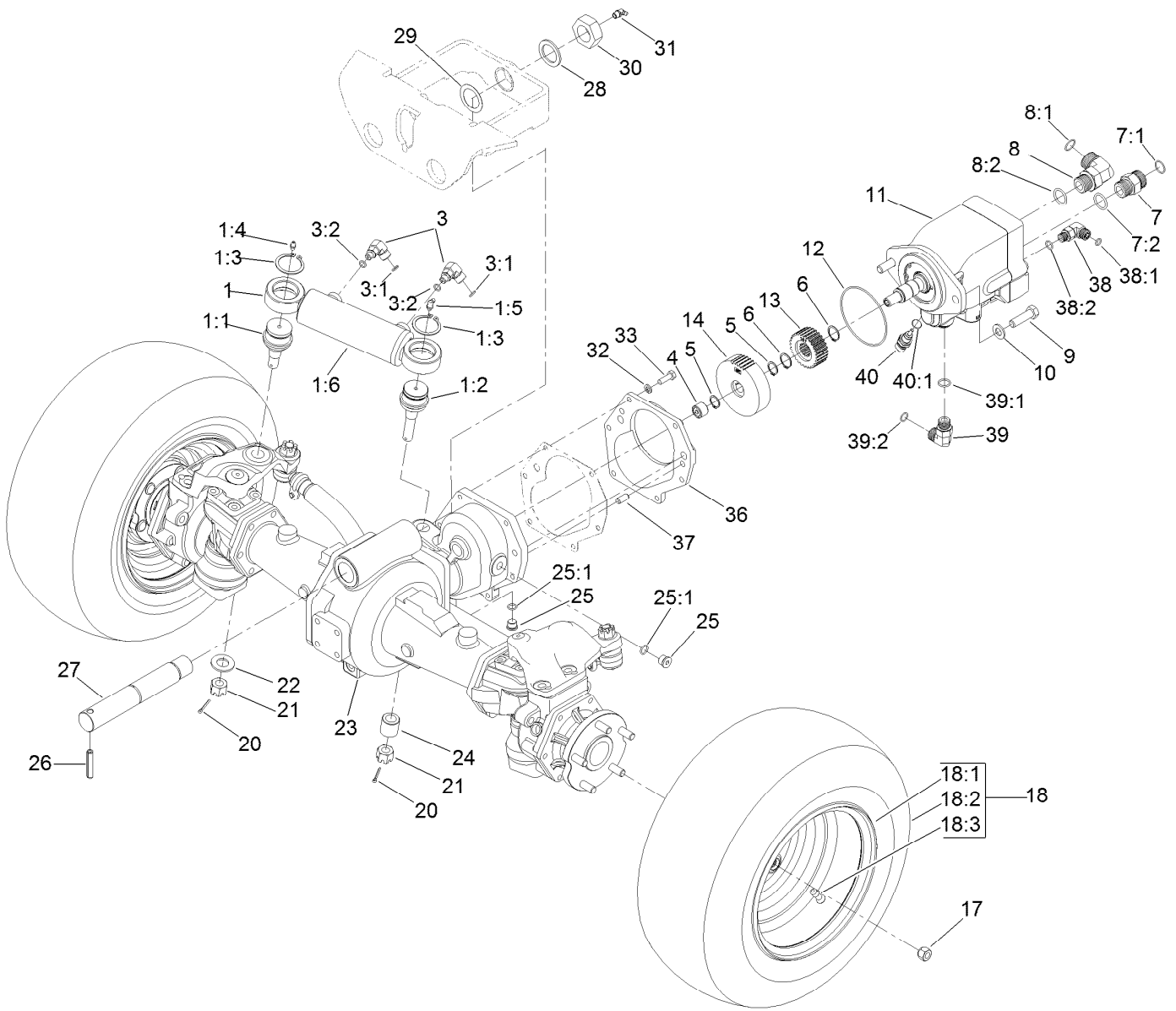
Ref.	Part Number	Qty.	Description
2	93-7977	1	Seal
3	93-7978	1	Rod-Pull
4	93-7983	2	Pin-Clevis
5	93-7980	2	Link
6	93-7979	2	Pin-Hitch
7	93-7986	4	Disc-Stationary
8	104-4278	3	Disc-Rotating
9	93-7976	1	Ring-Retaining
10	93-7984	1	Gasket
11	104-4280	1	Actuator-Rotating
12	93-7987	3	Spring-Extension
13	93-7985	3	Ball
14	353-990	2	Plug ASM
14:1	237-78	1	O-Ring



Rear Axle Assembly

Ref.	Part Number	Qty.	Description	Ref.	Part Number	Qty.	Description
1	105-9861	1	Steering Cylinder ASM	8:1	237-58	1	O-Ring
1:1	106-6774	1	Joint-Ball	8:2	237-81	1	O-Ring
1:2	100-3795	1	Joint-Ball	9	325-7	2	Screw-HH
1:3	32151-104	2	Ring-Retaining, External	10	106-9888	2	Washer-Flat
1:4	302-5	1	Fitting-Grease	11	136-2938	1	Motor-Piston, Rear
1:5	302-60	1	Fitting-Grease	12	237-166	1	O-Ring
1:6	127-6431	1	Hydraulic Steer Cylinder ASM	13	104-0755	1	Pinion-27 Tooth
3	340-97	2	Fitting-Elbow, 90 DEG	14	100-3053	1	Gear-45 Tooth
3:1	237-22	1	O-Ring	17	93-5268	10	Nut-Lug
3:2	237-78	1	O-Ring	18		2	Rim And Tire ASM ●
4	74-5700	1	Bearing-Needle, Roller	18:1	115-1573	1	Rim
5	32120-15	2	Ring-Snap, EXT	18:2	115-1572	1	Tire
6	32120-76	2	Ring-Snap, EXT	18:3	232-27	1	Stem-Valve
7	340-9	1	Fitting-STR	20	3272-12	2	Pin-Cotter
7:1	237-58	1	O-Ring	21	32136-14	2	Nut-Hst
7:2	237-81	1	O-Ring	22	92-5836	1	Washer
8	340-142	1	Fitting-Elbow, 90 DEG	23	110-4750	1	Drive Axle ASM
				24	100-3796	1	Spacer-Joint, Ball

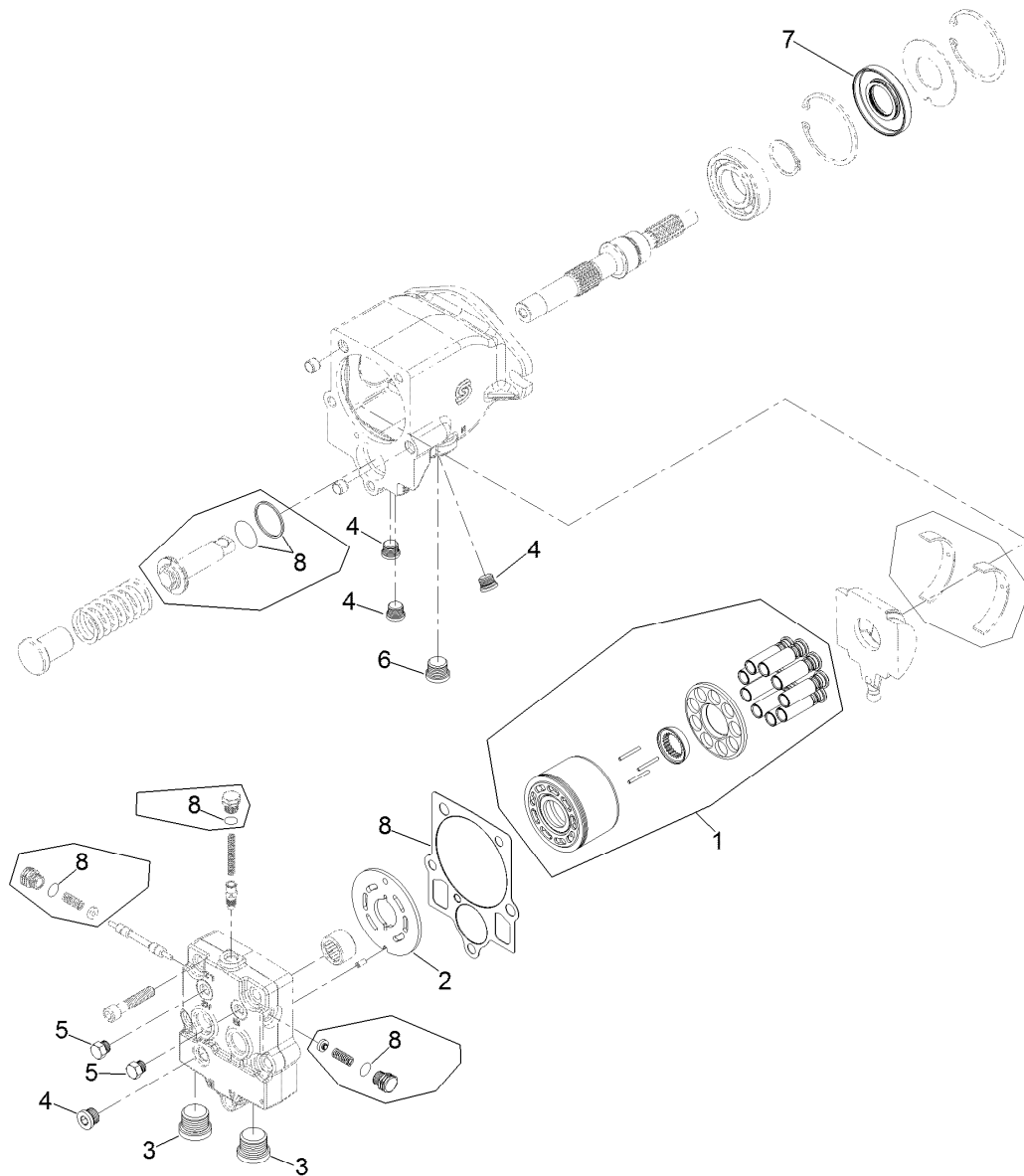
● Not serviced separately



Rear Axle Assembly (continued)

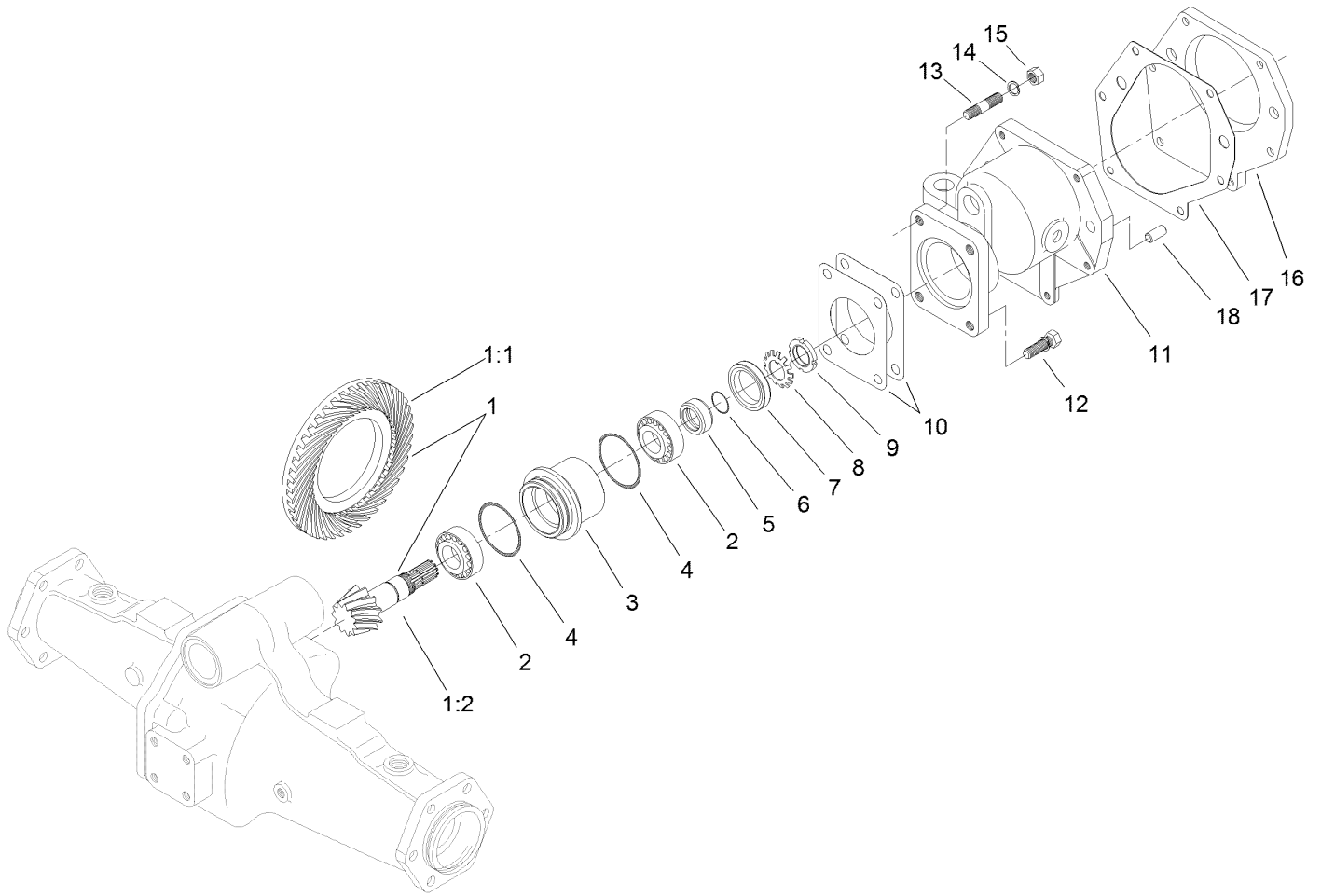
<i>Ref.</i>	<i>Part Number</i>	<i>Qty.</i>	<i>Description</i>	<i>Ref.</i>	<i>Part Number</i>	<i>Qty.</i>	<i>Description</i>
25	353-989	2	Plug-Hex, Hollow	36	95-7541	1	Plate-Cover
25:1	237-42	1	O-Ring	37	104-2353	2	Pin-Dowel
26	32121-110	1	Pin-Roll, Slotted	38	340-77	1	Fitting-Elbow, 90 DEG
27	115-9142	1	Pin-Rear Axle	38:1	237-22	1	O-Ring
28	92-1765	1	Washer-Thrust	38:2	237-42	1	O-Ring
29	98-3867	2	Washer-Thrust	39	340-98	1	Fitting-Elbow, 90 DEG
30	3296-68	1	Nut-Lock, NI	39:1	237-79	1	O-Ring
31	302-33	1	Fitting-Grease	39:2	237-30	1	O-Ring
32	3253-4	6	Washer-Lock	40	110-8829	1	Sender-Temperature
33	33114-025	6	Screw-HH	40:1	237-42	1	O-Ring

● Not serviced separately



Rear Piston Motor No. 136-2938

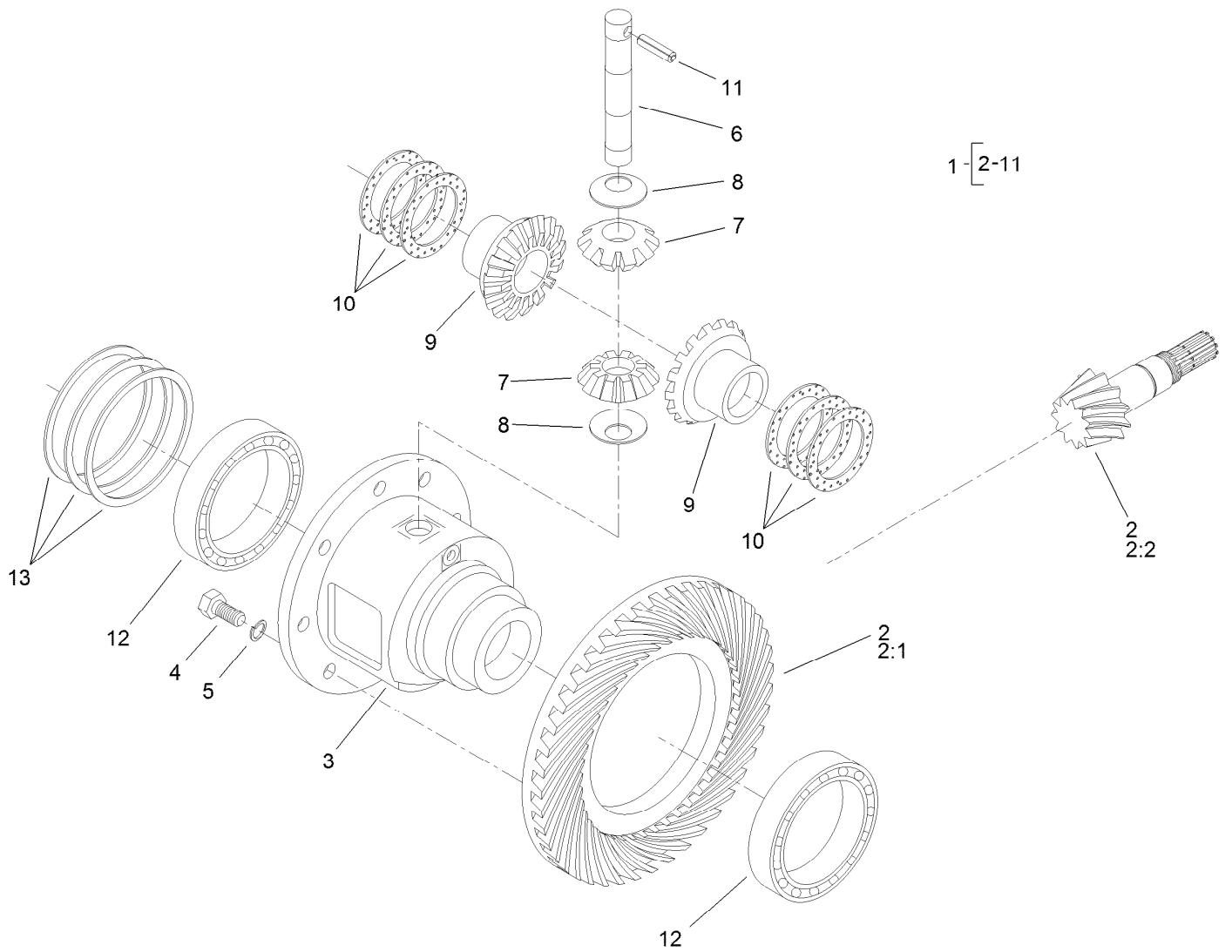
<i>Ref.</i>	<i>Part Number</i>	<i>Qty.</i>	<i>Description</i>
1	125-4639	1	Cylinder Block Kit
2	136-3314	1	Plate-Valve
3	69-3130	2	Plug
4	69-3080	4	Plug
5	92-1352	2	Plug
6	67-9090	1	Plug
7	127-6214	1	Seal-Lip
8	138-7823	1	Overhaul Seal Kit



Bevel Pinion Shaft Assembly Rear Axle Assembly No. 110-4750

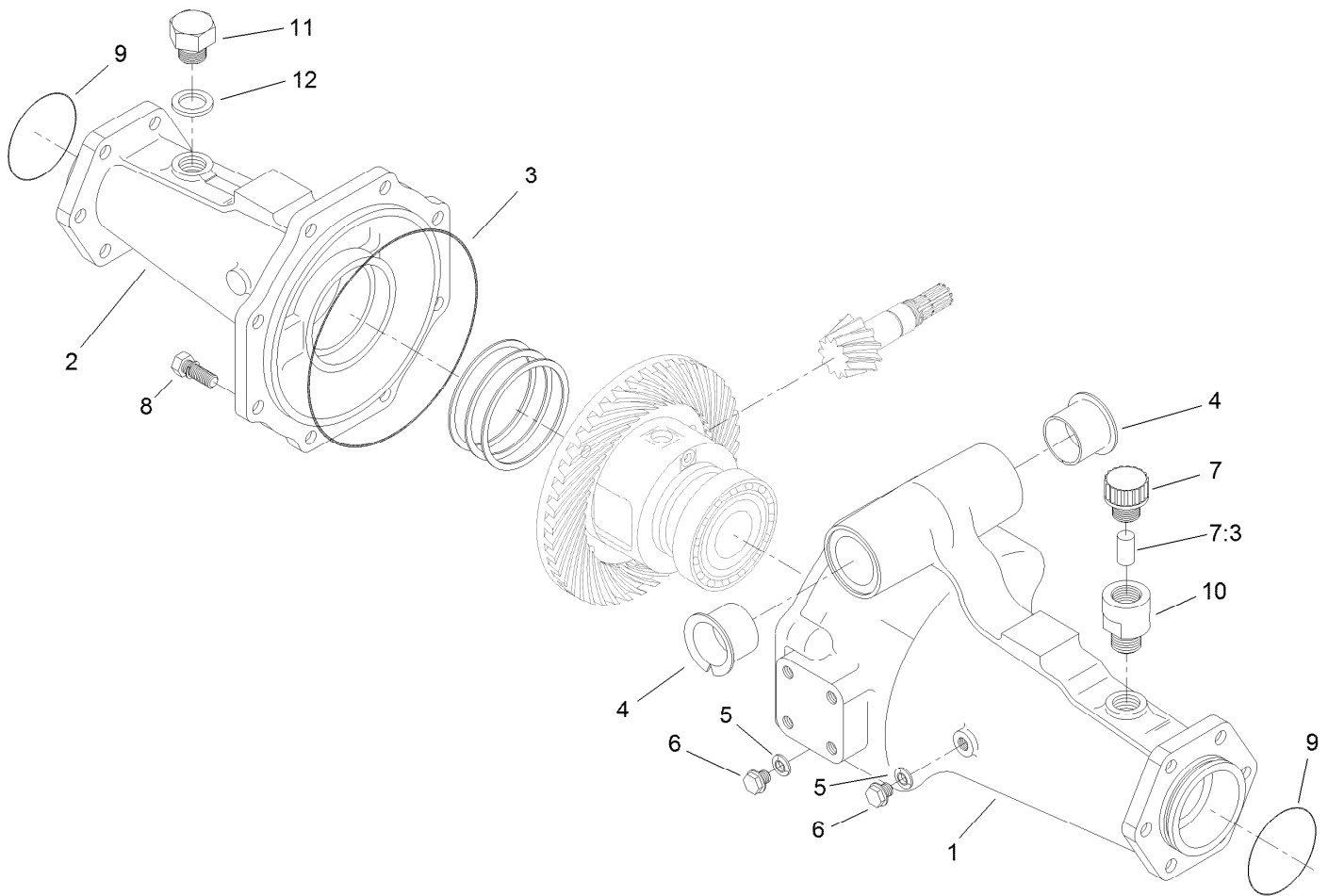
<i>Ref.</i>	<i>Part Number</i>	<i>Qty.</i>	<i>Description</i>
1	106-1093	1	Ring And Pinion Set
1:1	95-7504	1	Gear-43 Tooth, Bevel Spiral
1:2	106-1092	1	Pinion-Spiral, Bevel
2	99-7570	2	Bearing-Roller, Taper
3	95-7534	1	Case-Bearing
4	106-1065	2	O-Ring
5	99-7572	1	Collar-Seal, Oil
6	106-1066	1	O-Ring
7	99-7574	1	Seal-Oil
8	99-7559	1	Washer-Lock
9	99-7560	1	Nut-Lock

<i>Ref.</i>	<i>Part Number</i>	<i>Qty.</i>	<i>Description</i>
10	99-7550	2	Shim 0.1
10	99-7551	2	Shim 0.2
11	95-7533	1	Case-Gear
12	99-7575	2	Bolt
13	98-7735	2	Stud
14	99-7527	2	Washer-Spring
15	99-7526	2	Nut
16	95-7541	1	Plate-Cover
17	106-1140	1	Gasket
18	104-2353	2	Pin-Dowel



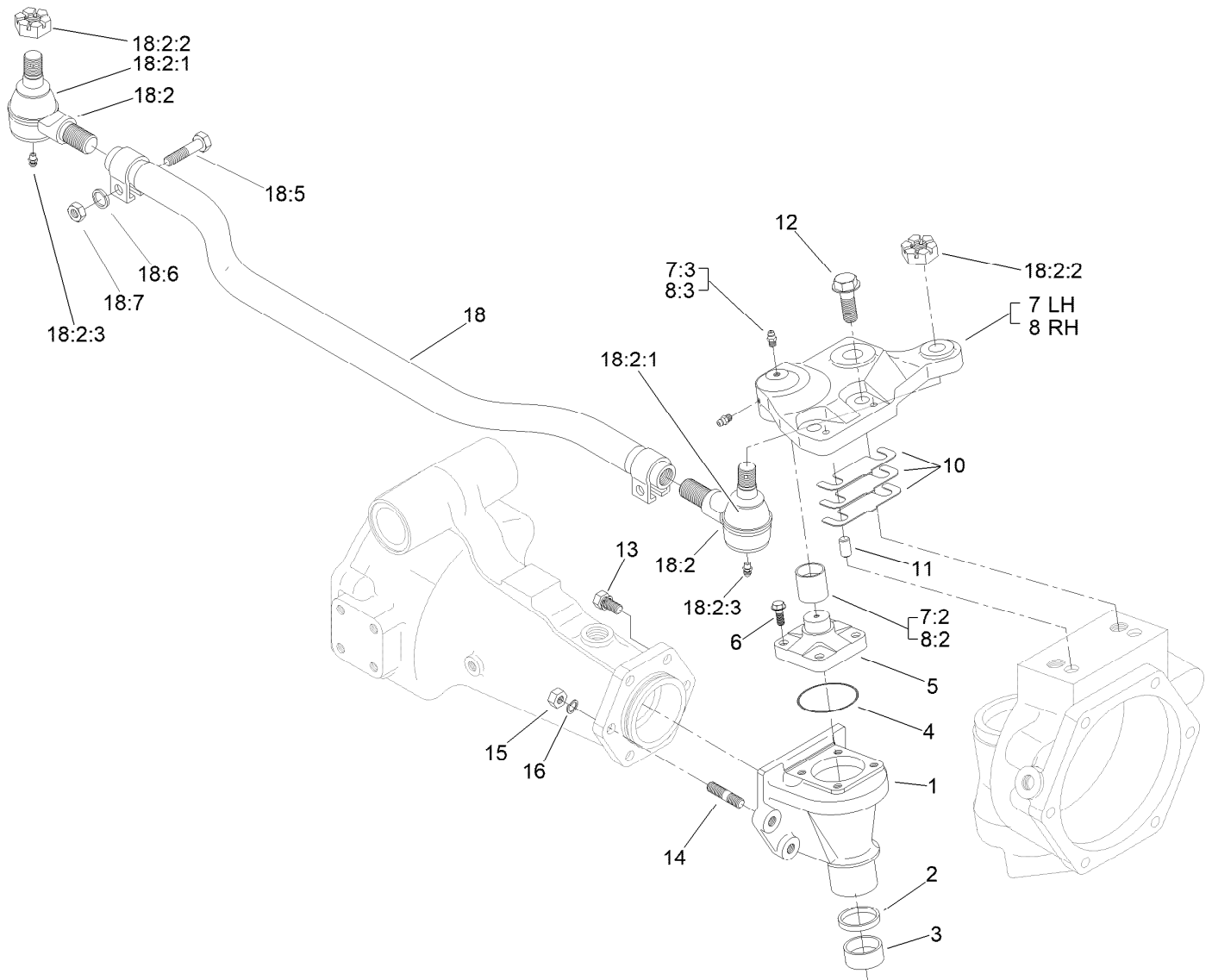
Differential Assembly Rear Axle Assembly No. 110-4750

<i>Ref.</i>	<i>Part Number</i>	<i>Qty.</i>	<i>Description</i>	<i>Ref.</i>	<i>Part Number</i>	<i>Qty.</i>	<i>Description</i>
1	95-7503	1	Differential ASM	9	99-7581	2	Gear-Differential
2	106-1093	1	Ring And Pinion Set	10	99-7582	2	Washer-Differential
2:1	95-7504	1	Gear-43 Tooth, Bevel Spiral	10	99-7583	2	Washer-Differential
2:2	106-1092	1	Pinion-Spiral, Bevel	10	99-7584	2	Washer-Differential
3	95-7502	1	Case-Differential	11	99-7588	1	Pin-Spring
4	99-7576	8	Bolt	12	99-7562	2	Bearing-Ball
5	3253-4	8	Washer-Lock	13	99-7585	2	Shim 0.1
6	99-7578	1	Shaft-Differential	13	99-7586	2	Shim 0.2
7	99-7579	2	Pinion-Differential	13	99-7587	2	Shim 0.4
8	145-5288	2	Washer-Pinion, Differential				



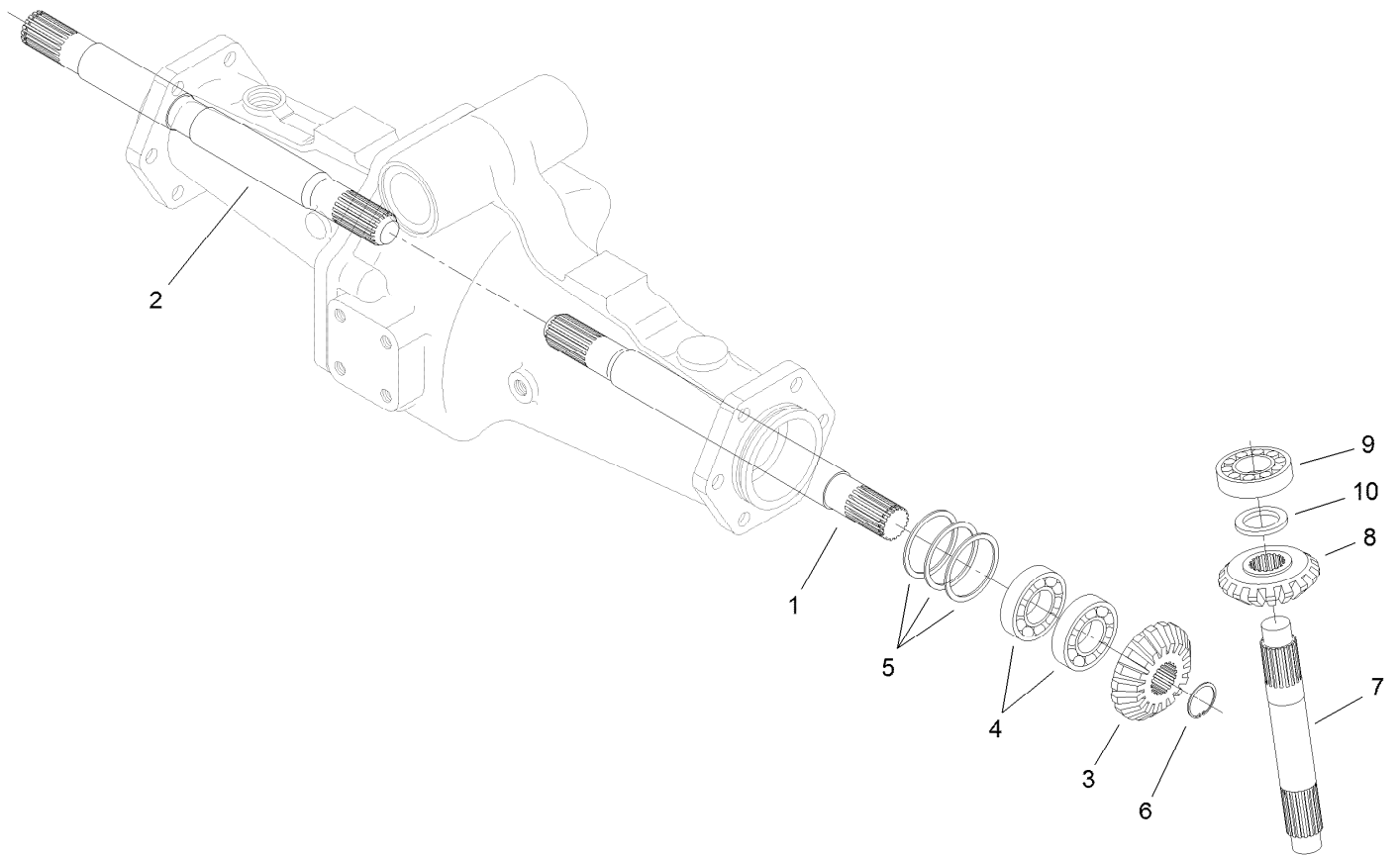
Axle Support Assembly Rear Axle Assembly No. 110-4750

<i>Ref.</i>	<i>Part Number</i>	<i>Qty.</i>	<i>Description</i>
1	95-7508	1	Support-Axle
2	95-7506	1	Support-Axle
3	106-1067	1	O-Ring
4	95-7537	2	Bushing-Flanged
5	99-7590	2	Washer-Seal
6	99-7589	2	Plug
7	110-4812	1	Axle Vent ASM
7:3	110-4815	1	Insert-Filter, Foam
8	99-7592	8	Bolt
9	106-1068	2	O-Ring
10	104-2377	1	Extension-Vent
11	104-8643	1	Plug
12	104-8644	1	O-Ring



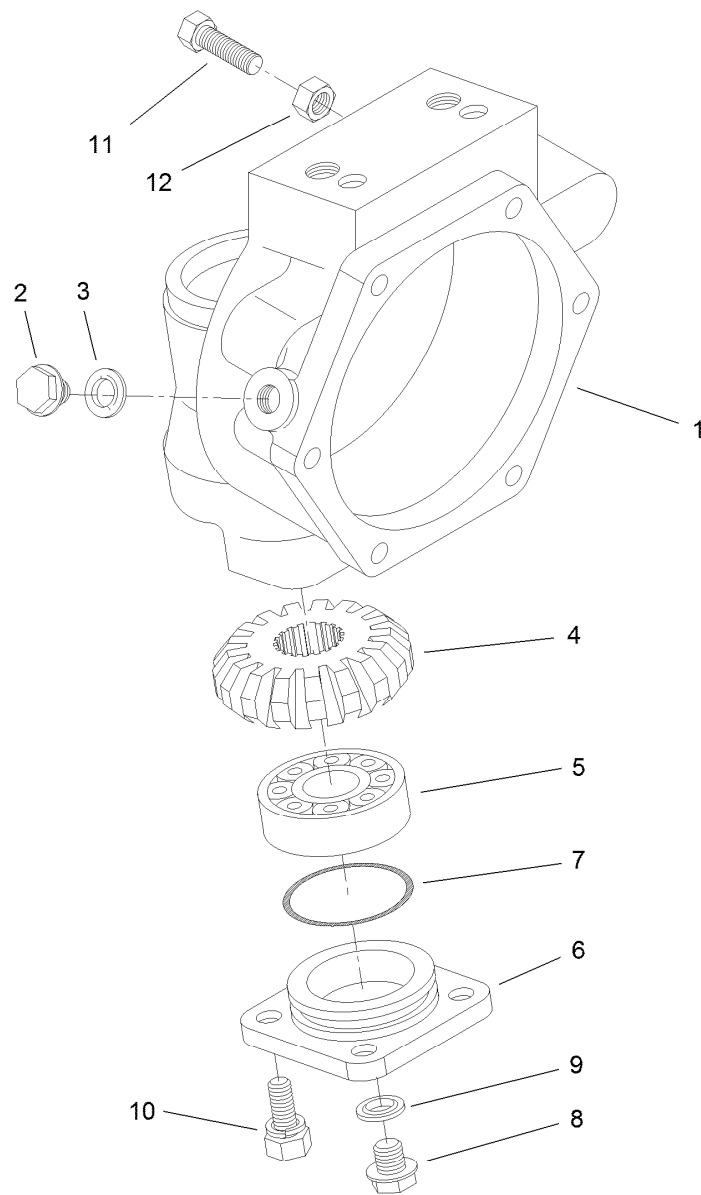
Bevel Gear Case Assembly Rear Axle Assembly No. 110-4750

<i>Ref.</i>	<i>Part Number</i>	<i>Qty.</i>	<i>Description</i>	<i>Ref.</i>	<i>Part Number</i>	<i>Qty.</i>	<i>Description</i>
1	110-4752	2	Case-Gear, Bevel	11	99-7597	4	Pin-Dowel
2	110-4754	2	Seal-Oil	12	104-2375	4	Bolt
3	104-2378	2	Bushing	13	99-7599	8	Bolt
4	106-1069	2	O-Ring	14	99-7525	4	Stud
5	104-2373	2	Knuckle	15	99-7526	4	Nut
6	104-2374	8	Bolt	16	99-7527	4	Washer-Spring
7	100-3768	1	LH Steering Arm ASM	18	106-1141	1	Steering Tie Rod ASM
7:2	104-8634	1	Bushing	18:2	106-1113	2	Tie Rod End ASM - RH Thread
7:3	106-1104	2	Fitting-Grease	18:2:1	100-3853	1	Cover-Dust
8	100-3766	1	RH Steering Arm ASM	18:2:2	100-3854	1	Nut-Castle
8:2	104-8634	1	Bushing	18:2:3	110-4755	1	Fitting-Grease
8:3	106-1104	2	Fitting-Grease	18:5	100-3855	2	Bolt
10	95-7547	2	Shim 0.1	18:6	99-7527	2	Washer-Spring
10	95-7548	2	Shim 0.2	18:7	99-7526	2	Nut
10	95-7549	2	Shim 0.3				



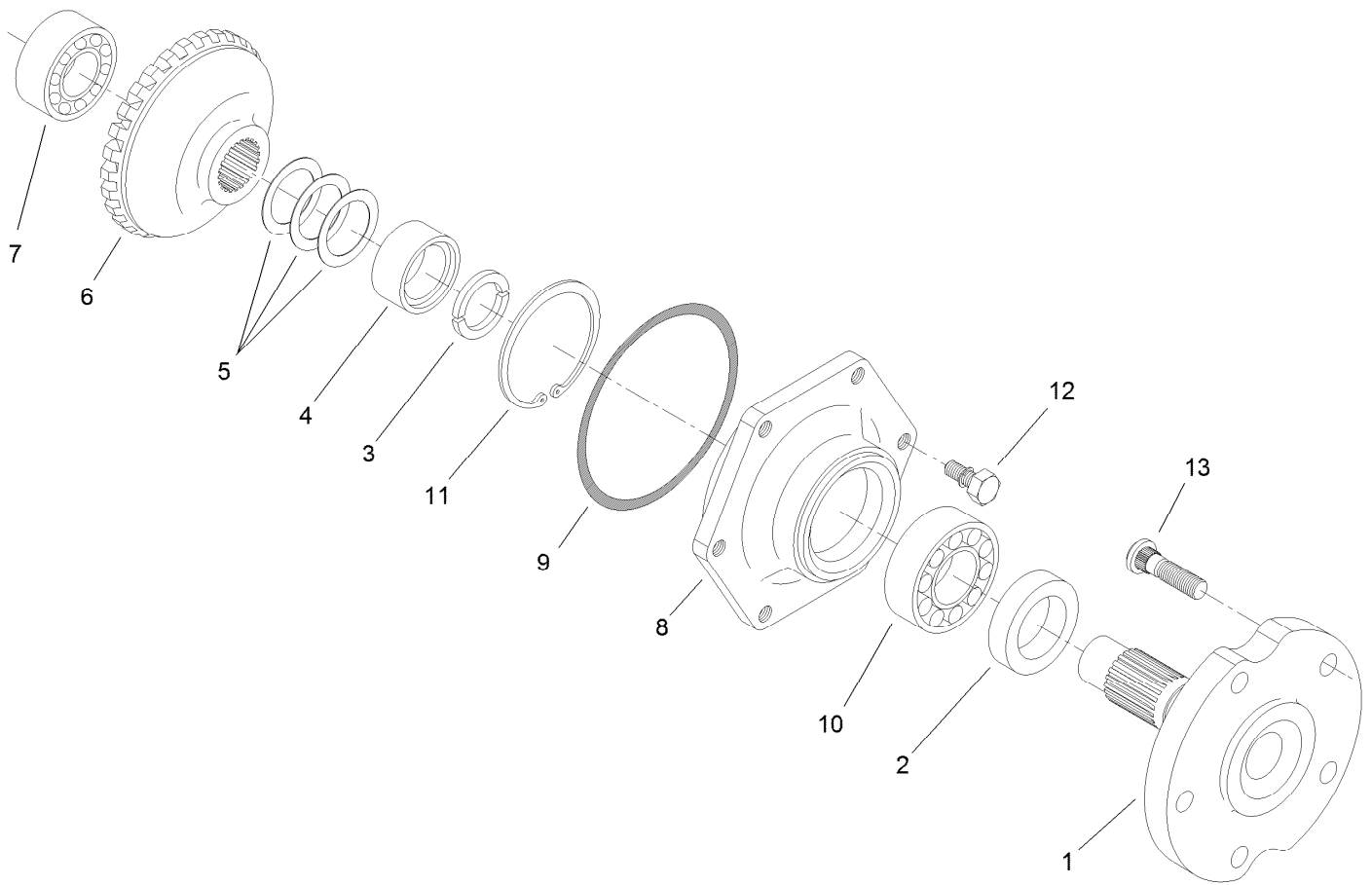
Bevel Gear Shaft Assembly Rear Axle Assembly No. 110-4750

<i>Ref.</i>	<i>Part Number</i>	<i>Qty.</i>	<i>Description</i>
1	95-7509	1	Shaft-Gear, Differential
2	95-7512	1	Shaft-Gear, Differential
3	95-7517	2	Gear-Bevel, 15 Tooth
4	119-8558	4	Bearing-Noseal
5	99-7552	2	Shim 0.1
5	99-7553	2	Shim 0.2
5	99-7554	2	Shim 0.5
6	99-7531	2	Clip
7	110-4753	2	Shaft-Gear, Bevel
8	95-7519	2	Gear-Bevel, 17 Tooth
9	99-7532	2	Bearing-Roller, Taper
10	99-7558	2	Collar



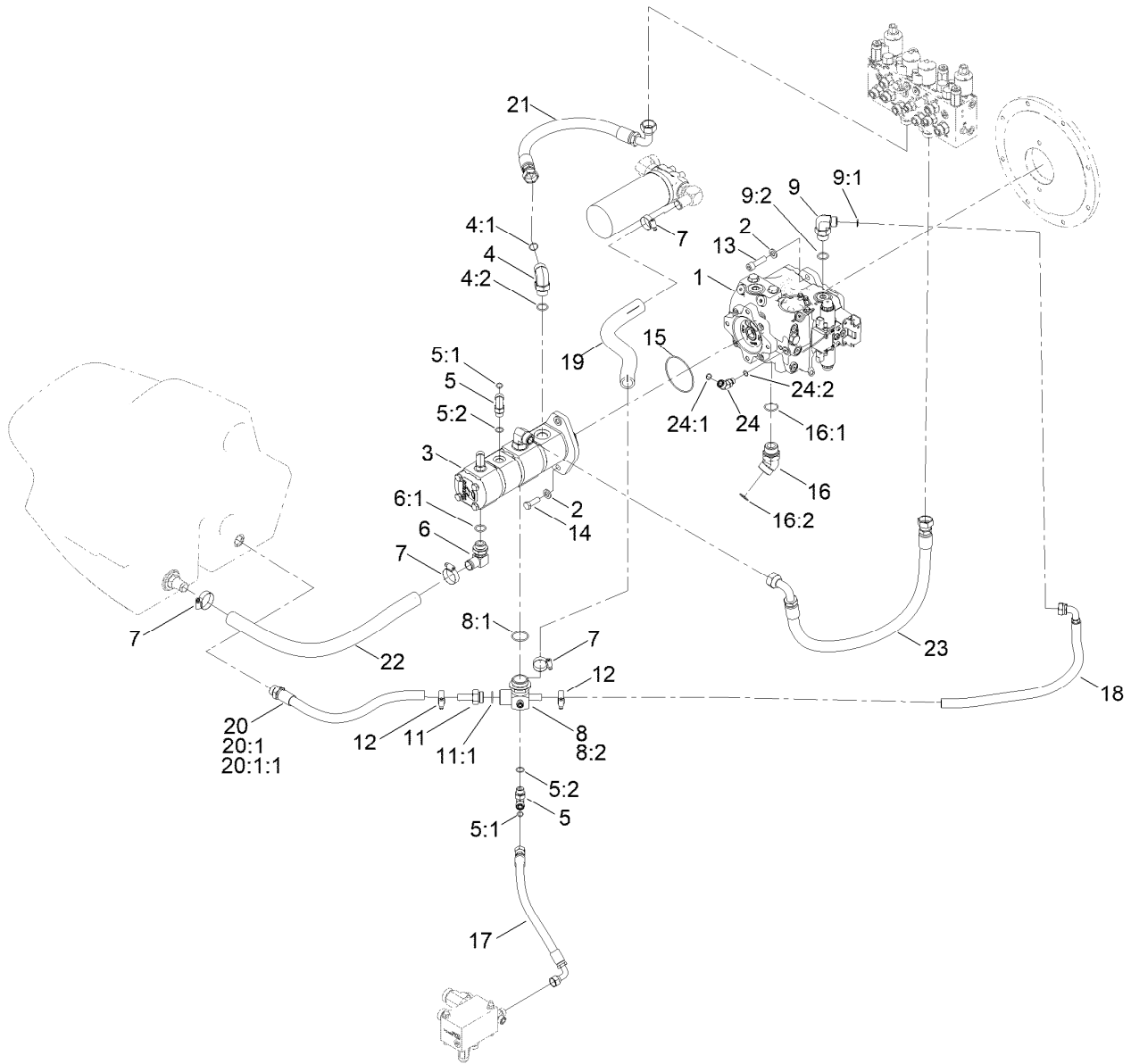
Axle Case Assembly Rear Axle Assembly No. 110-4750

<i>Ref.</i>	<i>Part Number</i>	<i>Qty.</i>	<i>Description</i>
1	110-4751	2	Case-Axle
2	99-7535	2	Plug
3	99-7536	2	Washer-Seal
4	95-7527	2	Gear-Bevel, 17 Tooth
5	99-7532	2	Bearing-Roller, Taper
6	100-2560	2	Cover
7	106-1070	2	O-Ring
8	99-7589	2	Plug
9	99-7590	2	Washer-Seal
10	100-2562	8	Bolt
11	106-1102	2	Bolt-Stop
12	106-1103	2	Nut



Axle Assembly Rear Axle Assembly No. 110-4750

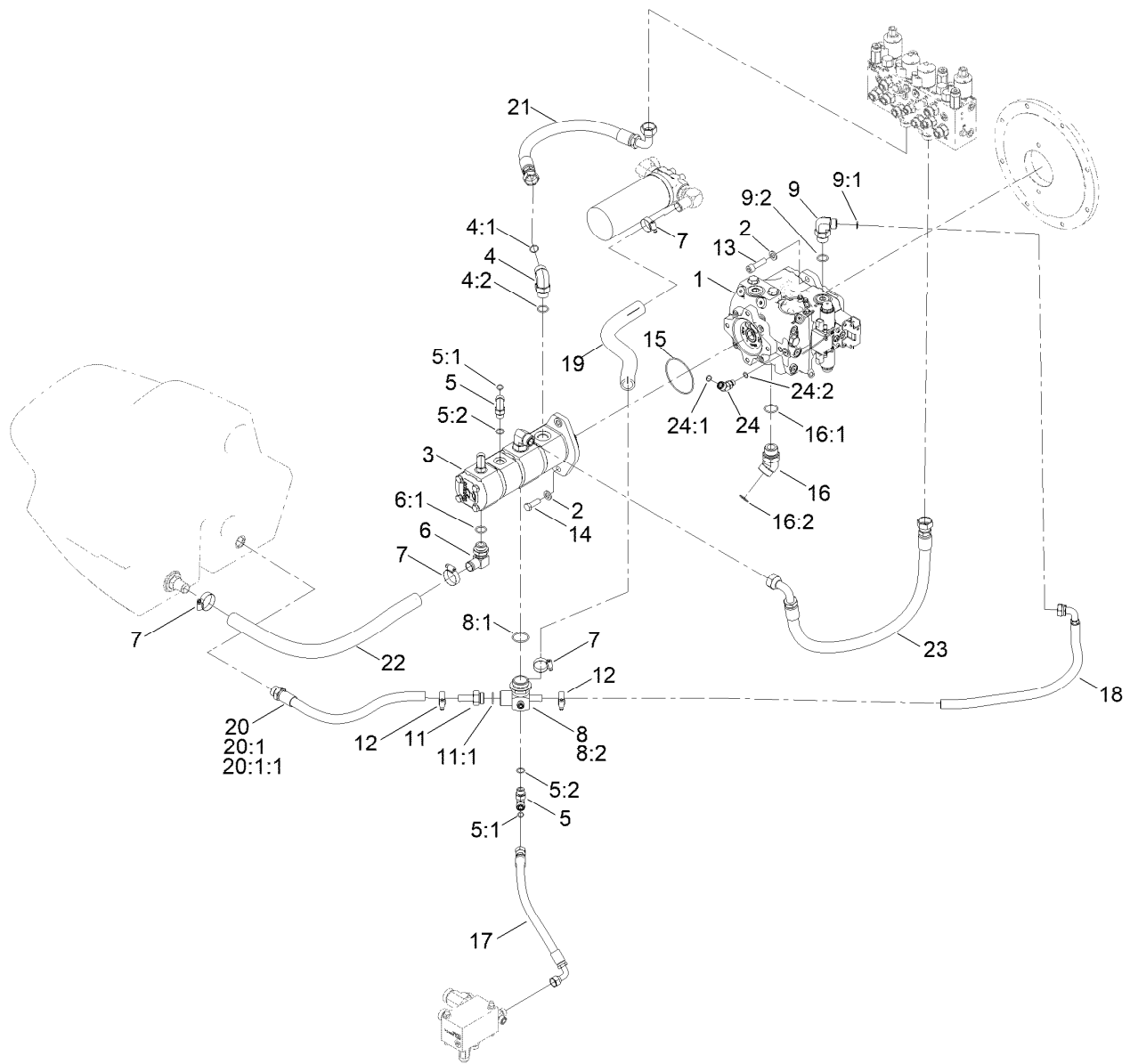
<i>Ref.</i>	<i>Part Number</i>	<i>Qty.</i>	<i>Description</i>
1	95-7522	2	Axle
2	99-7564	2	Seal-Oil
3	95-7544	4	Clip
4	95-7523	2	Spacer
5	99-7555	2	Shim 0.3
5	99-7556	2	Shim 0.2
5	99-7557	2	Shim 0.5
6	95-7524	2	Gear-Bevel, 29 Tooth
7	99-7534	2	Bearing-Ball
8	95-7521	2	Cover-Axle
9	106-1071	2	O-Ring
10	93-7775	2	Bearing-Ball
11	99-7539	2	Clip
12	104-2374	12	Bolt
13	99-7563	10	Stud



Hydraulic System Assembly

Ref.	Part Number	Qty.	Description	Ref.	Part Number	Qty.	Description
1	136-2940	1	Pump-Piston, 45Cc	11	121-1526	1	Fitting-STR
2	137-5550	4	Washer-Thrust	11:1	237-81	1	O-Ring
3	114-4189	1	4-Section Pump ASM	12	2412-129	2	Clamp-Hose
4	340-142	2	Fitting-Elbow, 90 DEG	13	131-0661	2	Screw-HSH
4:1	237-58	1	O-Ring	14	121-1525	2	Screw-HH
4:2	237-81	1	O-Ring	15	107-9447	1	O-Ring
5	340-98	3	Fitting-Elbow, 90 DEG	16	104-3509	2	Fitting-HYD, 45 DEG
5:1	237-79	1	O-Ring	16:1	237-146	1	O-Ring
5:2	237-30	1	O-Ring	16:2	340-65	1	O-Ring
6	100-4202	1	Fitting-90	17	125-4616	1	Hose ASM
6:1	237-81	1	O-Ring	18	136-2926	1	Hose ASM
7	2412-111	4	Clamp-Hose, W/Liner	19	163-2612	1	Hose-Suction
8	120-8016	1	Fitting-Tee	20	121-3079	1	Hose ASM
8:1	237-101	1	O-Ring	20:1		1	Fitting-Straight ●
8:2	237-22	1	O-Ring	20:1:1	237-81	1	O-Ring
9	340-139	1	Fitting-Elbow 90	21	105-3874	1	Hose ASM
9:1	237-81	1	O-Ring	22	147-6054	1	Hose-Strainer
9:2	237-65	1	O-Ring	23	115-4384	1	Hose-HYD

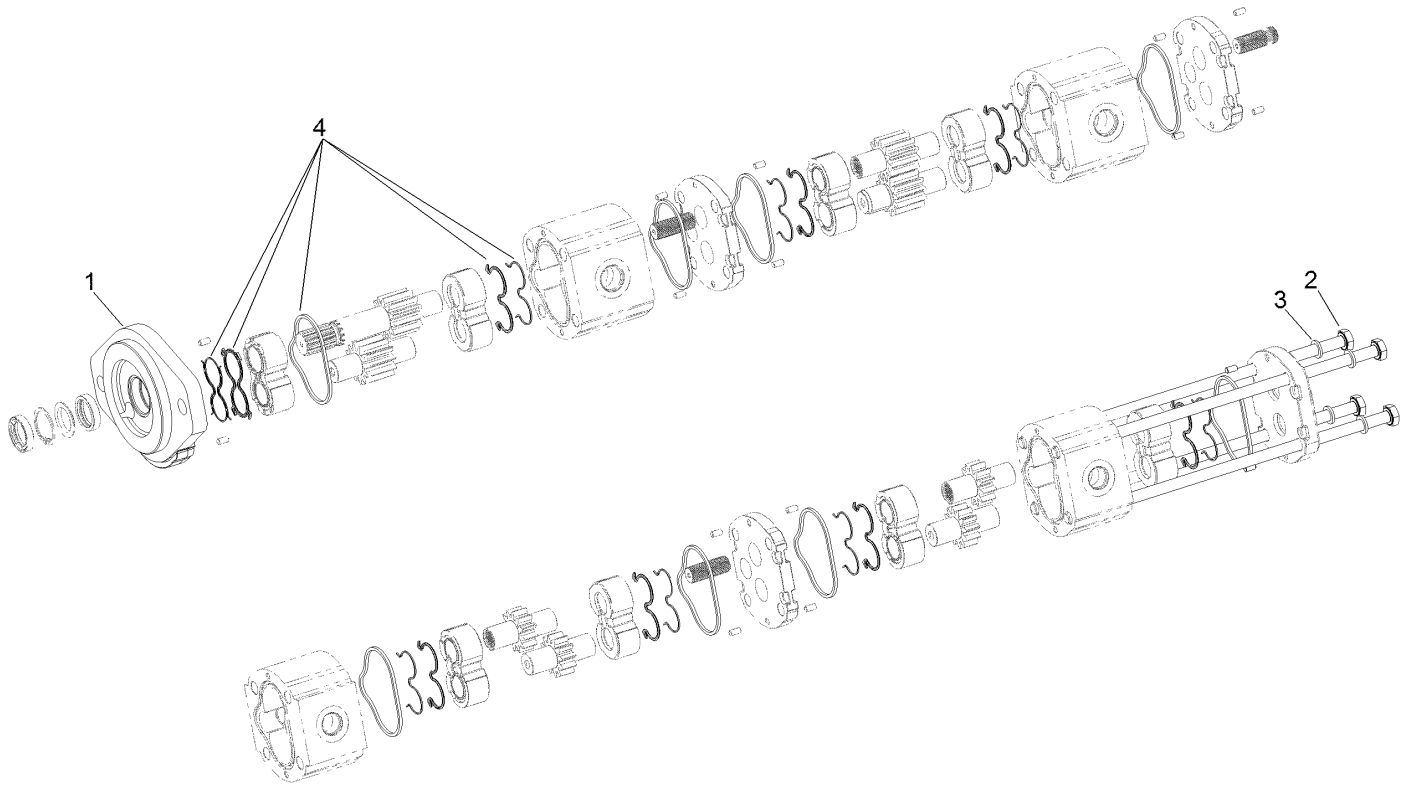
● Not serviced separately



Hydraulic System Assembly (continued)

<i>Ref.</i>	<i>Part Number</i>	<i>Qty.</i>	<i>Description</i>	<i>Ref.</i>	<i>Part Number</i>	<i>Qty.</i>	<i>Description</i>
24	340-96	1	Adapter	24:1	237-30	1	O-Ring
				24:2	237-42	1	O-Ring

● Not serviced separately



Four Section Pump Assembly No. 114-4189

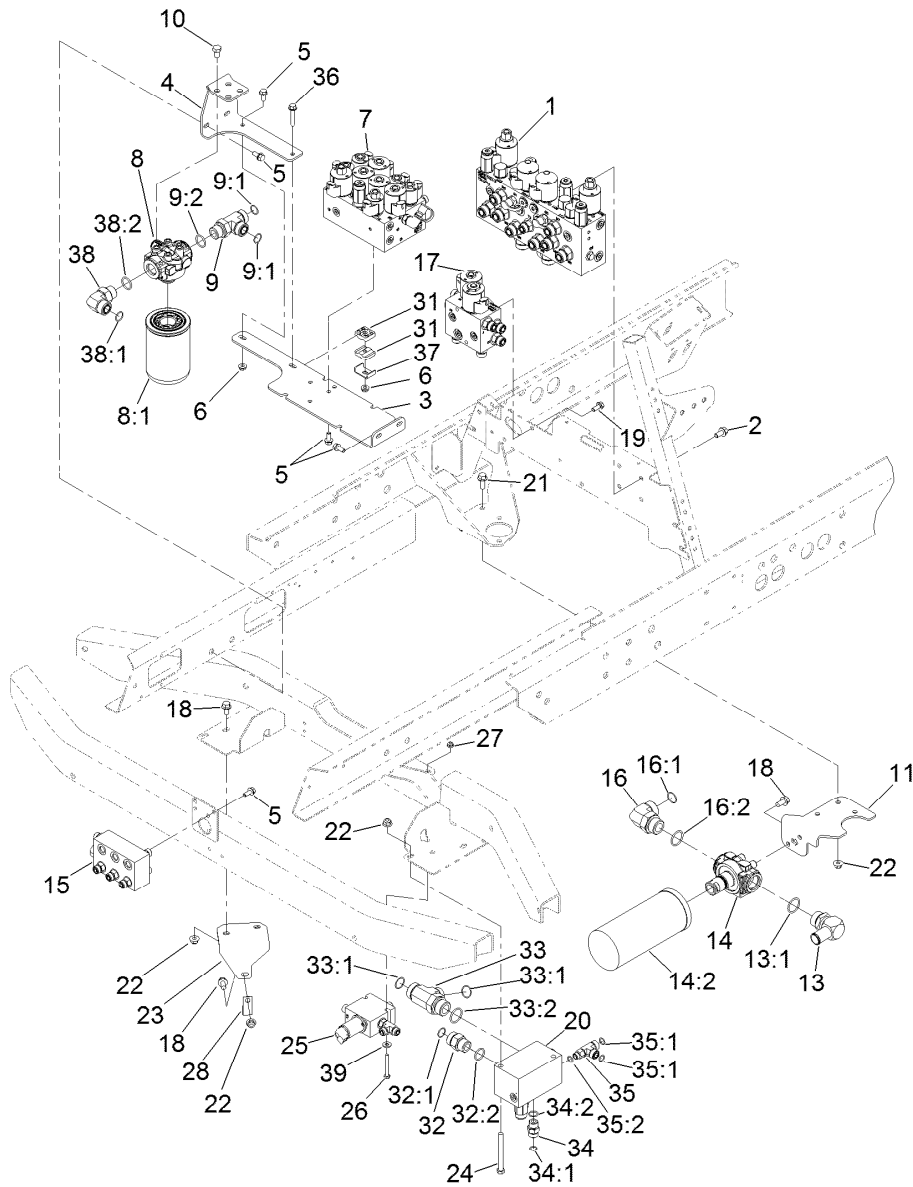
<i>Ref.</i>	<i>Part Number</i>	<i>Qty.</i>	<i>Description</i>
1	115-3774	1	Cover-Front
2	115-4444	4	Bolt
3	115-9138	4	Washer
4	115-3776	1	Seal Kit

Hydraulic Pump Assembly No. 136-2940 (continued)

<i>Ref.</i>	<i>Part Number</i>	<i>Qty.</i>	<i>Description</i>	<i>Ref.</i>	<i>Part Number</i>	<i>Qty.</i>	<i>Description</i>
1	136-3209	1	Control Kit (12 Volt)	24	92-1353	1	Shim Kit
1:1	132-6204	2	Coil Kit	25	125-5301	1	Plug
1:2	125-5288	2	O-Ring	26	75-0240	2	O-Ring
1:3	125-5273	1	Nut-Seal	27	84-0560	2	O-Ring
1:4	75-0170	1	Plug-Thread, Straight	28	69-3080	6	Plug
1:4:1	92-8777	1	O-Ring	29	69-3130	1	Plug
1:5	125-5274	6	Screw	30	75-0170	3	Plug-Thread, Straight
1:6	125-5272	6	Screw	30:1	92-8777	1	O-Ring
1:7	136-3213	1	Gasket-Control	31	125-5270	2	Screw
1:8	136-3218	1	Sensor Kit	32	110-6485	1	Pin-Slotted
2	125-5294	2	Coil Kit	33	136-4393	1	Valve-Relief, High Pressure
3	136-4397	1	Charge Relief Kit	34	136-3214	1	Valve-Relief, High Pressure (360 Bar)
5	136-4399	1	Shaft	35	132-6205	1	Overhaul Seal Kit
6	136-3211	1	Bearing-Ball	35:1	75-0240	2	O-Ring
7	125-5280	1	Ring-Retaining	35:2	84-0560	2	O-Ring
8	131-8616	2	Ring-Retaining	35:3	125-5288	2	O-Ring
9	127-6214	1	Seal-Lip	35:4	125-5283	1	Gasket-Control
10	136-4398	1	Valve Plate	35:5	125-5298	1	O-Ring
11	132-6206	1	O-Ring	35:6	132-6206	1	O-Ring
12	125-5288	2	O-Ring	35:7	127-6214	1	Seal-Lip
13	131-7388	2	O-Ring	35:8		1	Gasket ■
14	125-5274	6	Screw	35:9		2	O-Ring ■
15	75-0170	1	Plug-Thread, Straight	35:10		2	Piston Ring ■
15:1	92-8777	1	O-Ring	35:11		2	O-Ring ■
16	125-5273	1	Nut-Seal	36	136-3215	1	Pin
17	125-5272	6	Screw	37	136-3216	1	Screw, M6 X 35
18	136-3213	1	Gasket-Control	38	136-3217	1	Link - Swashplate Feedback
21	125-5282	4	Screw	39	136-3218	1	Sensor Kit ●
22	125-5270	4	Screw	40	136-3219	2	Plug ASM
23	125-5298	1	O-Ring				

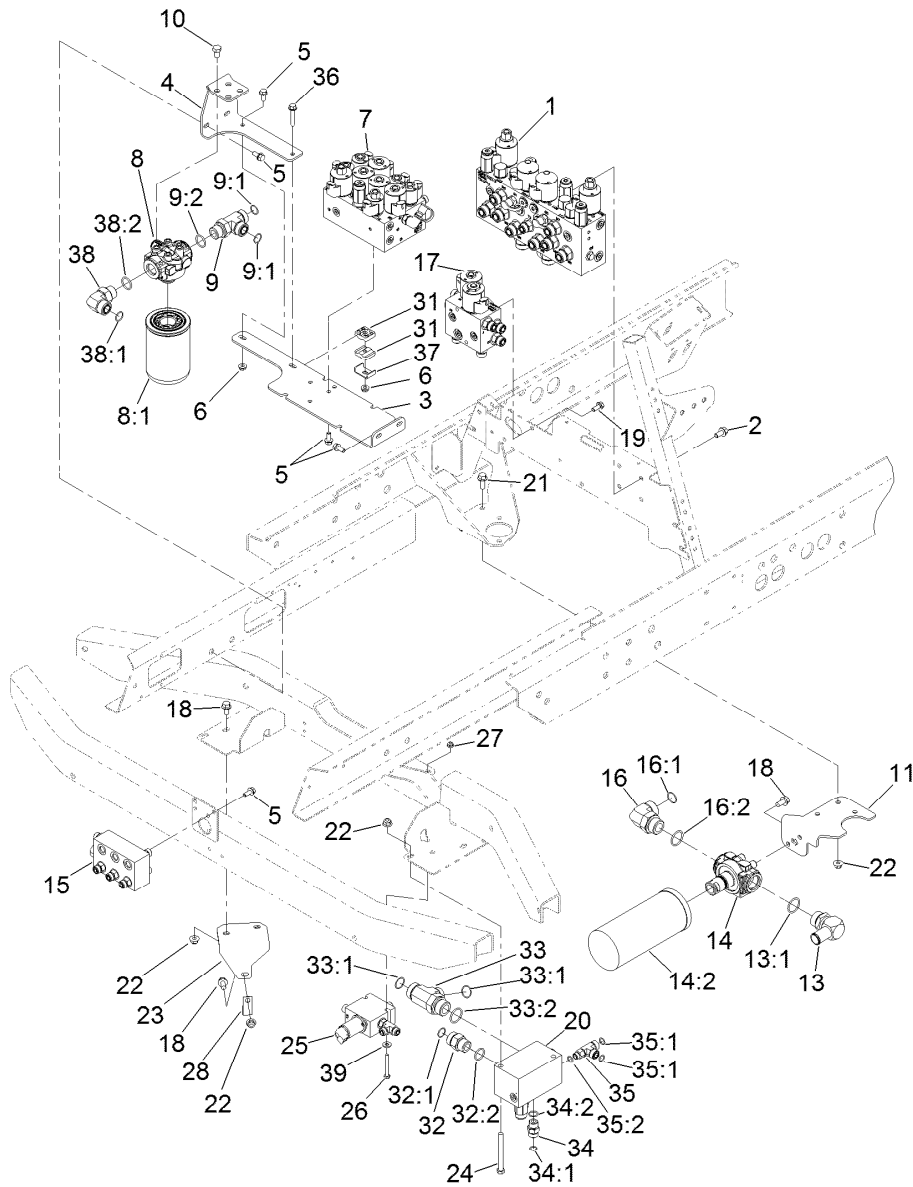
● Not illustrated

■ Not serviced separately



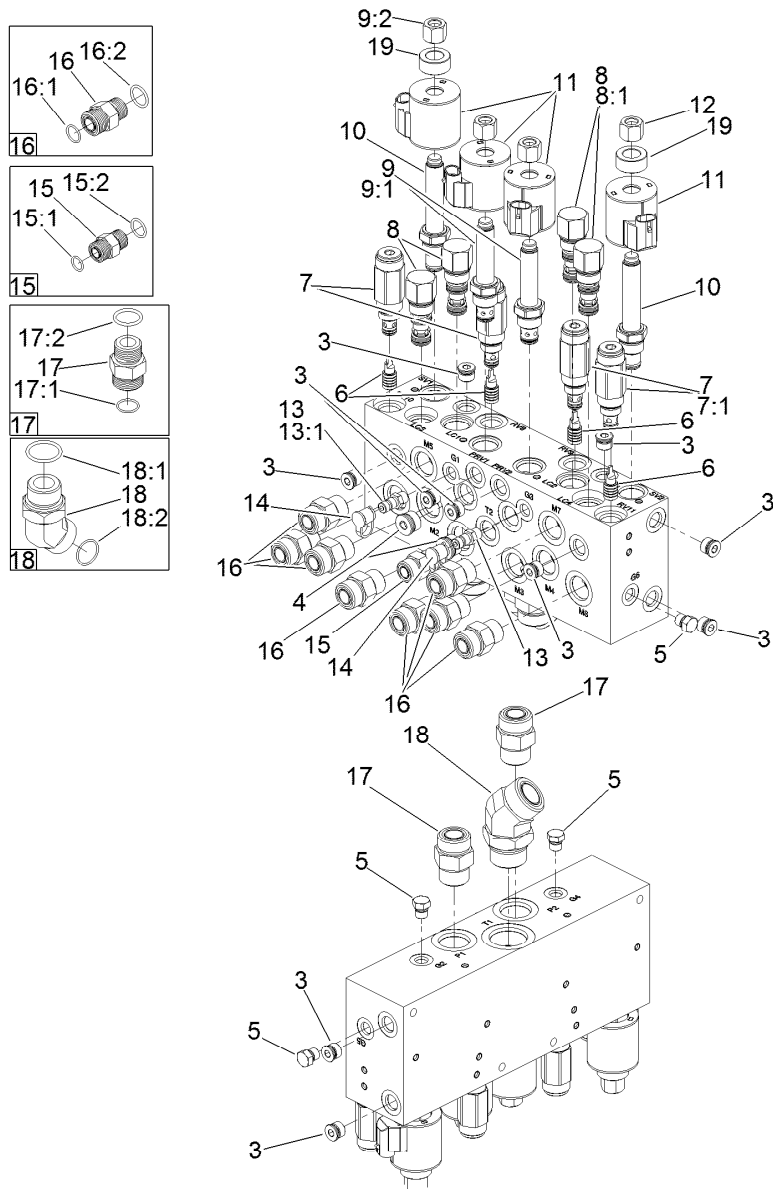
Hydraulic Valve Mounting Assembly

Ref.	Part Number	Qty.	Description	Ref.	Part Number	Qty.	Description
1	136-2916	1	Mow Manifold ASM	16:2	340-65	1	O-Ring
2	110-1718	4	Screw-HHSF,Patch	17	117-2395	1	Fan Drive Manifold ASM
3	139-5957-0P	1	Bracket-Valve Mount	18	3234-1	5	Screw-HHF
4	104-5492-0P	1	Bracket-Filter Head	19	100-1668	2	Screw-HHF
5	3234-5	9	Screw-HHF	20	136-3341	1	Rear Traction Manifold ASM
6	32128-20	2	Nut-HF	21	3234-11	2	Screw-HHF
7	117-2389	1	Lift Manifold ASM	22	119-4042	7	Nut-HF, NI
8	93-2242	1	Oil Filter ASM	23	121-3089-0P	1	Plate-Mount,Tube
8:1	75-1310	1	Filter-HYD	24	323-42	2	Screw-HH
9	340-148	1	Fitting-Tee	25	138-6946	1	3-Way Valve Manifold ASM
9:1	237-81	1	O-Ring	26	321-18	2	Screw-HH
9:2	237-58	2	O-Ring	27	104-7201	2	Nut-HF, NI
10	33115-016	4	Screw-HH	28	2412-150	1	Clip-J
11	120-8022-0P	1	Plate-Mount,Filter	31	56-7973	2	Clamp-Tube
13	23-8910	1	Stem-Barb-90	32	340-9	1	Fitting-STR
13:1	237-146	1	O-Ring	32:1	237-58	1	O-Ring
14	139-1010	1	Filter Head ASM	32:2	237-81	1	O-Ring
14:2	94-2621	1	Element-Filter	33	104-3795	1	Fitting-Tee
15	117-2394	1	Junction Manifold ASM	33:1	340-65	2	O-Ring
16	340-129	1	Fitting-Elbow, 90 DEG	33:2	237-146	1	O-Ring
16:1	237-146	1	O-Ring	34	340-4	1	Fitting-Straight



Hydraulic Valve Mounting Assembly (continued)

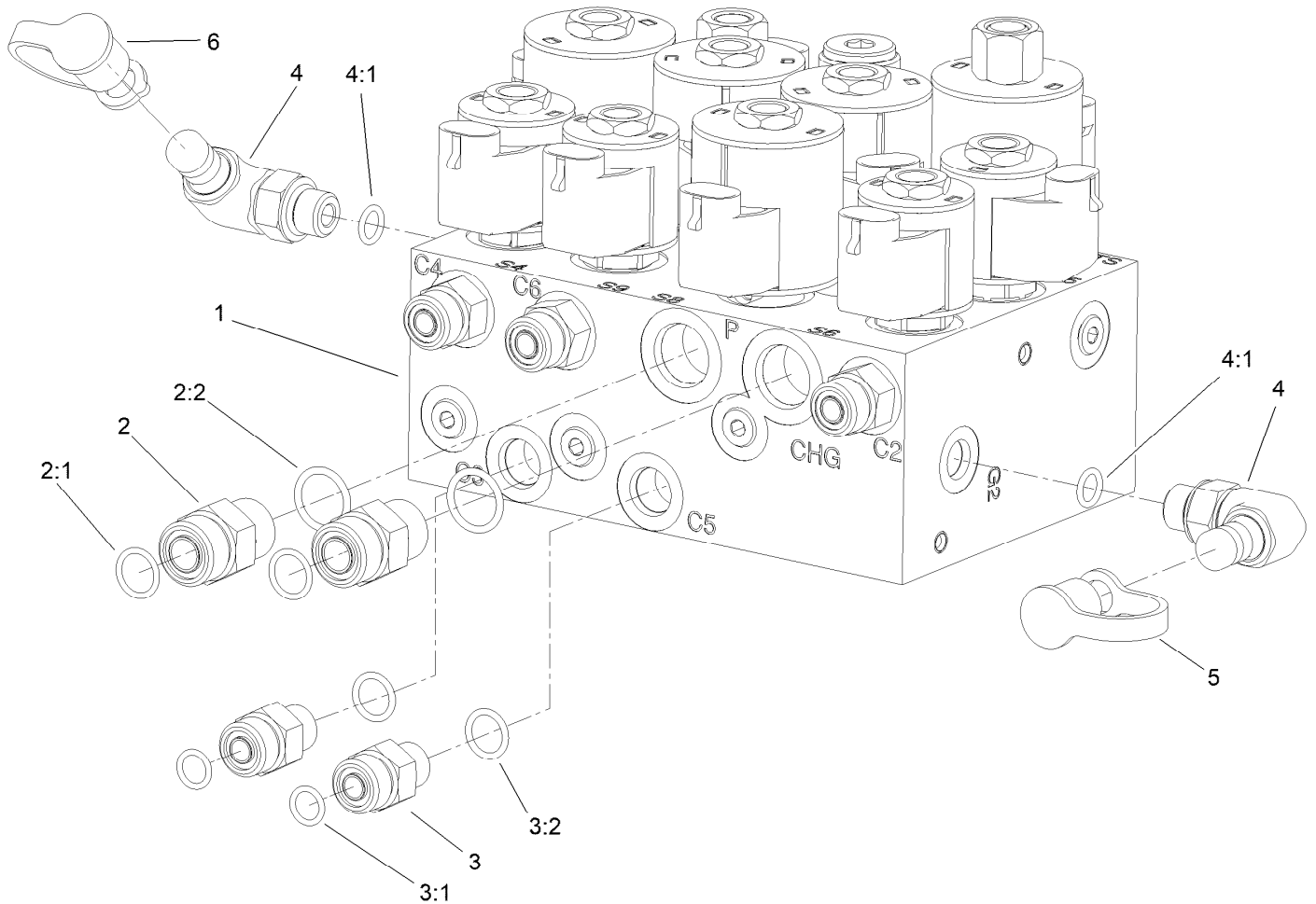
<i>Ref.</i>	<i>Part Number</i>	<i>Qty.</i>	<i>Description</i>	<i>Ref.</i>	<i>Part Number</i>	<i>Qty.</i>	<i>Description</i>
34:1	237-30	1	O-Ring	37	119-1418	1	Plate-Clamp, Short
34:2	237-79	1	O-Ring	38	340-142	1	Fitting-Elbow, 90 DEG
35	110-0064	1	Fitting-Tee	38:1	237-58	1	O-Ring
35:1	237-30	2	O-Ring	38:2	237-81	1	O-Ring
35:2	237-42	1	O-Ring	39	3256-2	2	Washer-Flat
36	94-5780	1	Screw-HWH				



Mow Manifold Assembly No. 136-2916

Ref.	Part Number	Qty.	Description	Ref.	Part Number	Qty.	Description
3	112-9213	10	Plug	14	354-79	2	Cap-Dust
4	106-1027	2	Plug	15	340-4	1	Fitting-Straight
5	117-0115	4	Plug	15:1	237-30	1	O-Ring
6	105-9157	4	Piston-Pilot	15:2	237-79	1	O-Ring
7	112-5259	4	Valve-Relief	16	340-7	8	Fitting-Straight
7:1	105-9156	1	Seal Kit	16:1	237-65	1	O-Ring
8	105-9153	4	Element-Logic, Vented	16:2	237-80	1	O-Ring
8:1	119-2159	1	Seal Kit	17	340-9	2	Fitting-STR
9	110-8799	2	Valve-Relief, Proportional	17:1	237-58	1	O-Ring
9:1	110-6316	1	Seal Kit	17:2	237-81	1	O-Ring
9:2	130-8180	1	Nut-Coil (9/16-24 Unef-2B)	18	104-3509	1	Fitting-HYD, 45 DEG
10	136-3279	2	Valve-Proportional	18:1	237-146	1	O-Ring
11	110-6344	4	Coil-12V, DC	18:2	340-65	1	O-Ring
12		4	Coil Nut ●	19		2	Coil Spacer ●
13	354-77	2	Fitting-Quick				
13:1	237-78	1	O-Ring				

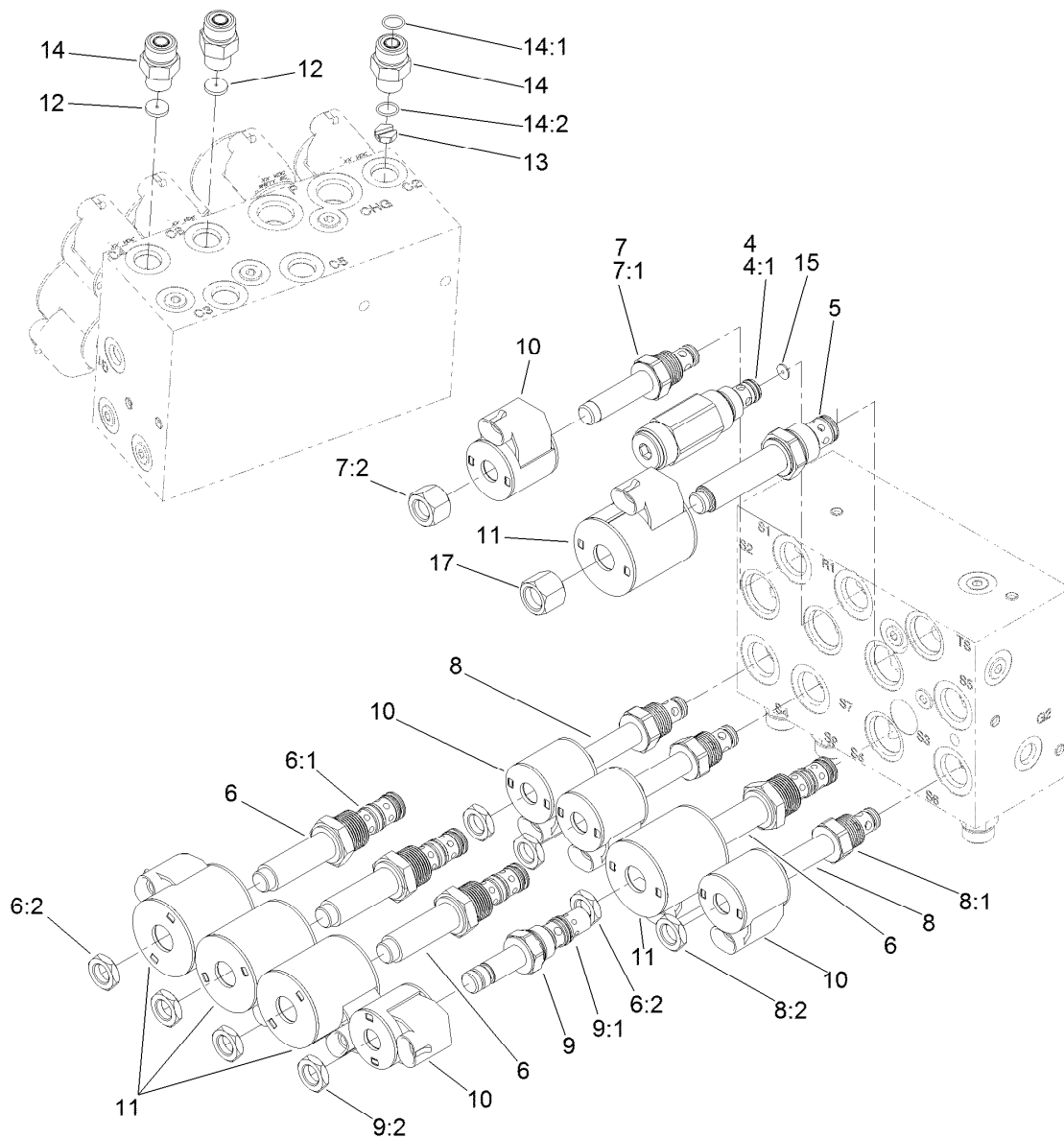
● Not serviced separately



Lift Manifold Assembly No. 117-2389

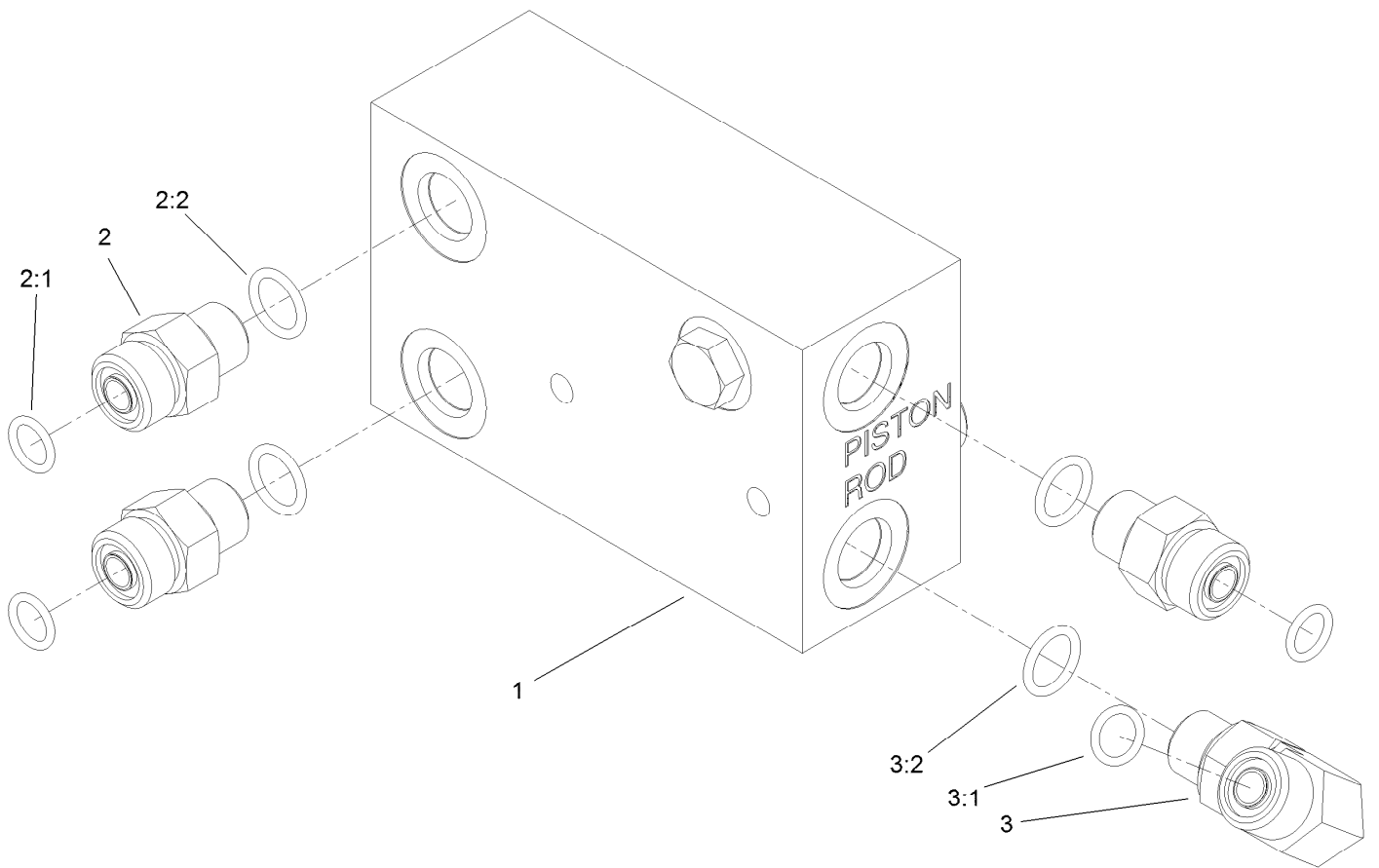
Ref.	Part Number	Qty.	Description
1		1	Manifold-Lift ●
2	340-4	2	Fitting-Straight
2:1	237-30	1	O-Ring
2:2	237-79	1	O-Ring
3	340-2	2	Fitting-Straight
3:1	237-22	1	O-Ring
3:2	237-42	1	O-Ring
4	115-9147	2	Fitting-Elbow, 90 DEG
4:1	237-78	1	O-Ring
5	354-79	1	Cap-Dust
6	353-947	1	Cap-Dust, Black

● Not serviced separately



Lift Manifold Assembly

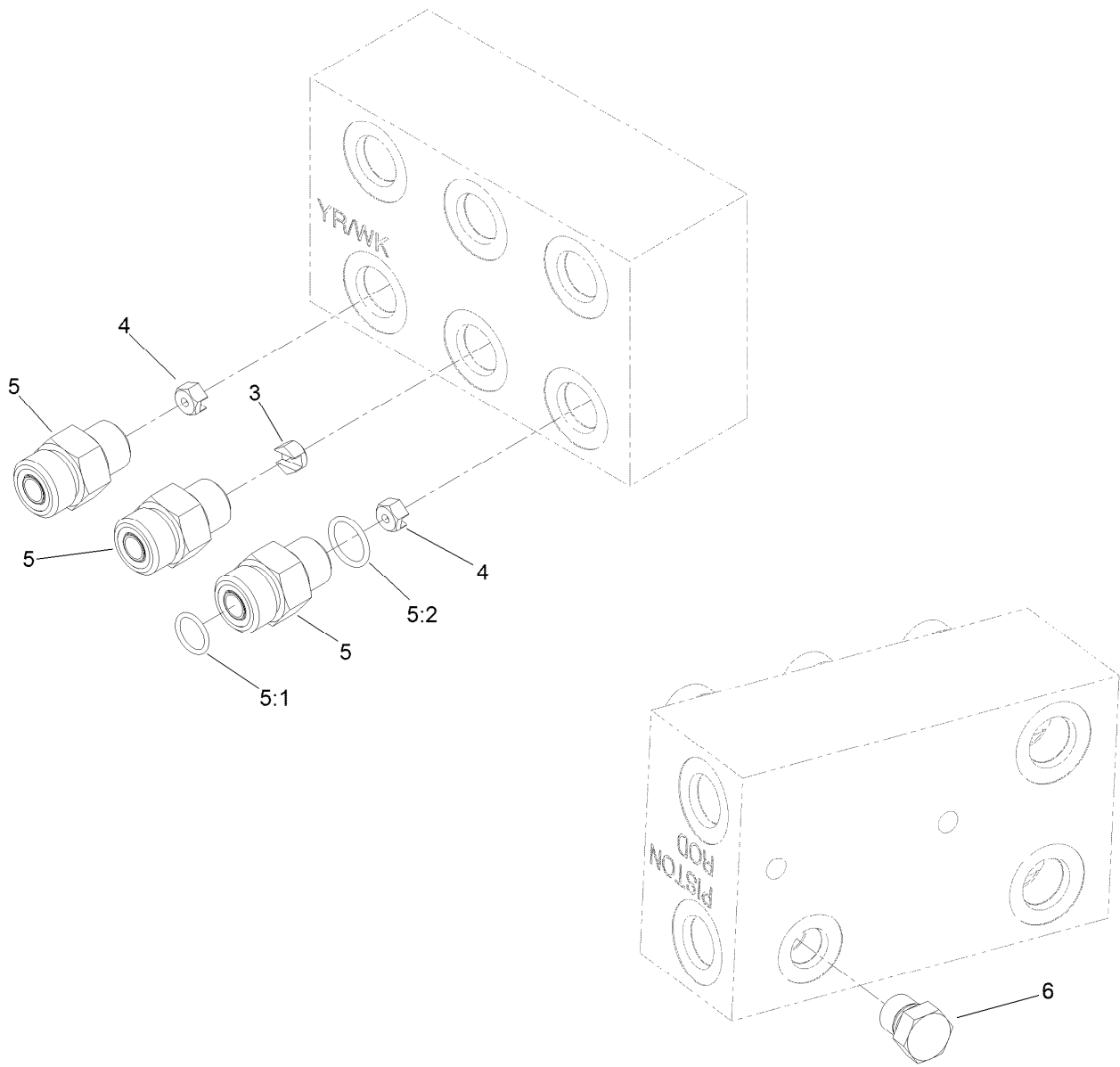
<i>Ref.</i>	<i>Part Number</i>	<i>Qty.</i>	<i>Description</i>	<i>Ref.</i>	<i>Part Number</i>	<i>Qty.</i>	<i>Description</i>
4	127-6371	1	Valve-Relief	9	115-5405	1	Solenoid Valve ASM
4:1	105-9156	1	Seal Kit	9:1	115-5413	1	Seal Kit
5	117-2399	1	Relief Valve-Proportional	9:2	110-2634	1	Nut-Coil
6	115-5400	4	Solenoid Valve ASM	10	110-0497	5	Coil-Solenoid
6:1	107-7813	1	Seal Kit	11	110-6344	5	Coil-12V, DC
6:2	110-2634	1	Nut-Coil	12	117-4757	2	Orifice-Disk, .063
7	107-7517	1	Valve-Solenoid	13	117-4756	1	Orifice-Flow Control, .080
7:1	105-9156	1	Seal Kit	14	340-2	3	Fitting-Straight
7:2	107-7812	1	Nut-Solenoid	14:1	237-22	1	O-Ring
8	112-9206	3	Solenoid Valve ASM	14:2	237-42	1	O-Ring
8:1	105-9156	1	Seal Kit	15	127-6372	1	Orifice Disc,.081
8:2	110-2634	1	Nut-Coil	17	130-8181	1	Nut-Coil (1/2-20 Unf-2B)



Junction Manifold Assembly No. 117-2394

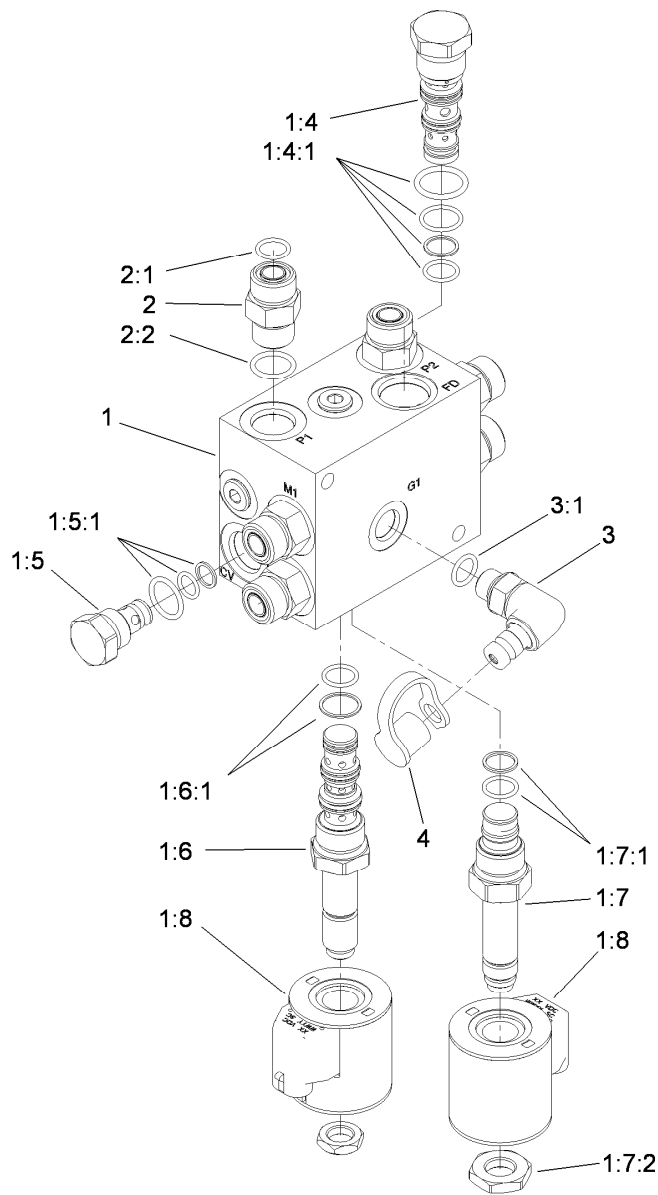
<i>Ref.</i>	<i>Part Number</i>	<i>Qty.</i>	<i>Description</i>
1		1	Manifold-Junction ●
2	340-2	3	Fitting-Straight
2:1	237-22	1	O-Ring
2:2	237-42	1	O-Ring
3	340-77	1	Fitting-Elbow, 90 DEG
3:1	237-22	1	O-Ring
3:2	237-42	1	O-Ring

● Not serviced separately



Junction Manifold Assembly

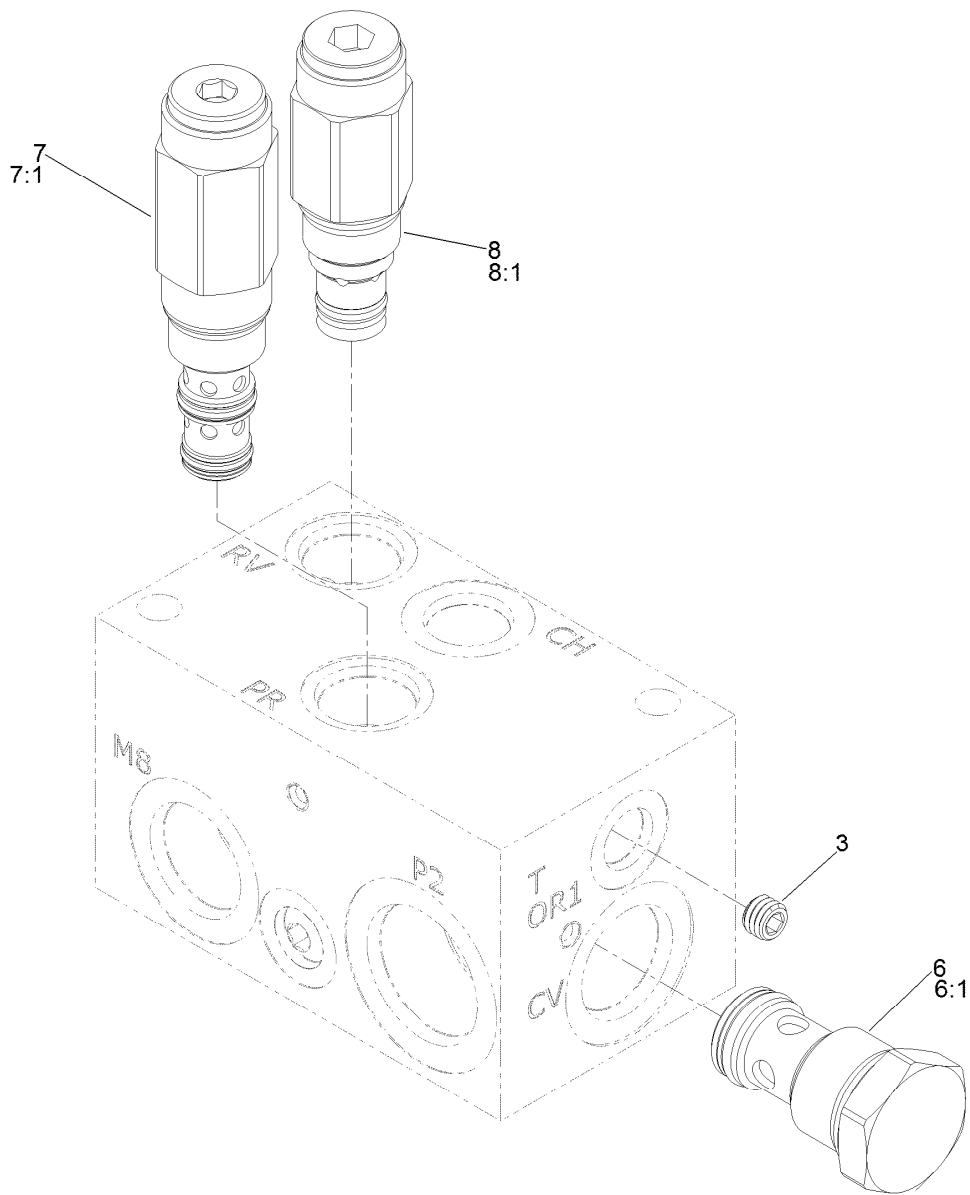
<i>Ref.</i>	<i>Part Number</i>	<i>Qty.</i>	<i>Description</i>
3	119-2010	1	Orifice-Control, Flow (0.055)
4	119-2009	2	Orifice-Flow Control (0.030)
5	340-2	3	Fitting-Straight
5:1	237-22	1	O-Ring
5:2	237-42	1	O-Ring
6	117-0115	1	Plug



Fan Drive Manifold Assembly No. 117-2395

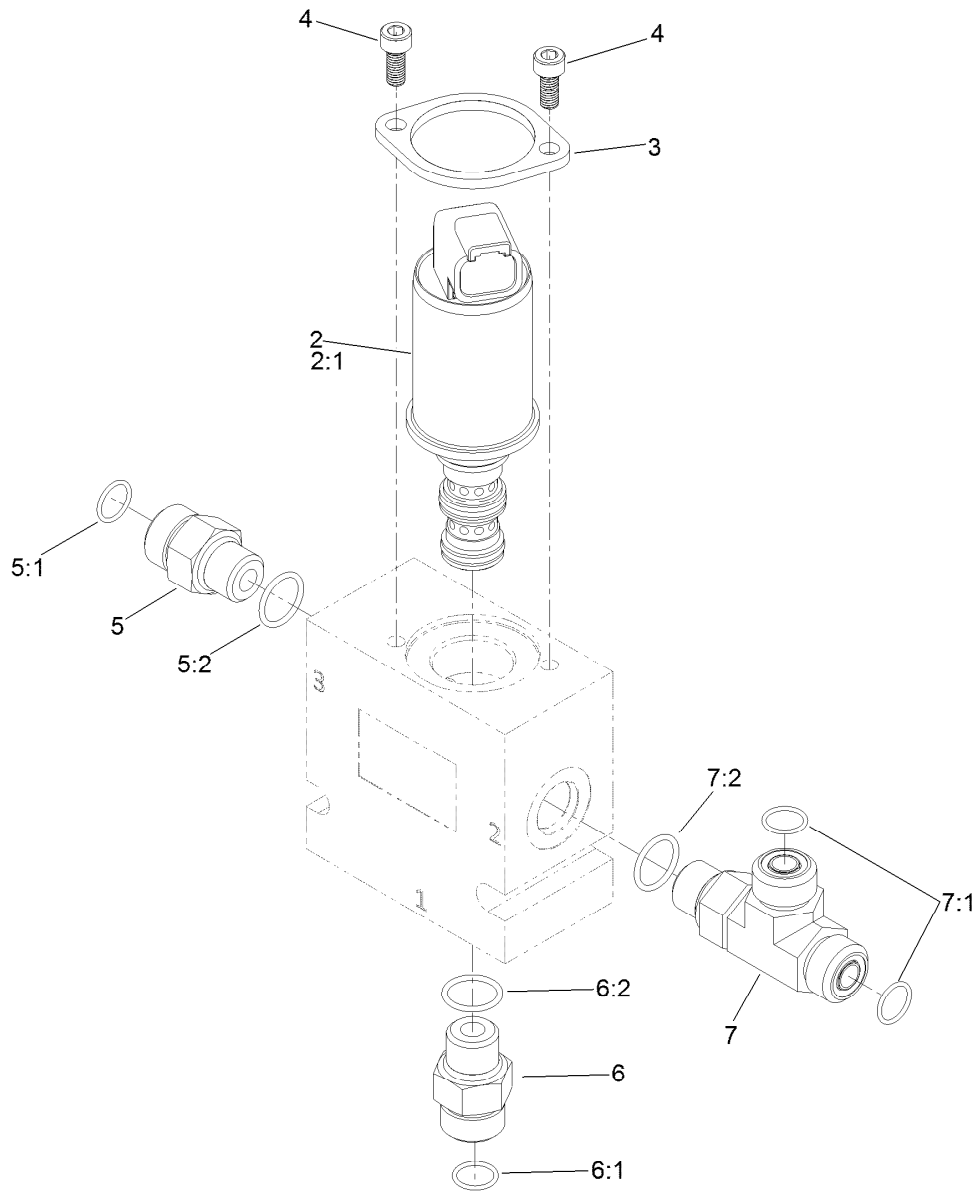
<i>Ref.</i>	<i>Part Number</i>	<i>Qty.</i>	<i>Description</i>	<i>Ref.</i>	<i>Part Number</i>	<i>Qty.</i>	<i>Description</i>
1		1	Fan Drive Manifold ASM ●	1:7:1	110-6316	1	Seal Kit
1:4	115-3024	1	Valve-Flow Divider/Combiner	1:7:2	119-7715	1	Nut-Coil
1:4:1	115-3025	1	Seal Kit	1:8	110-6344	2	Coil-12V, DC
1:5	105-9321	1	Check Valve ASM	2	340-4	7	Fitting-Straight
1:5:1	105-9156	1	Seal Kit	2:1	237-30	1	O-Ring
1:6	115-3023	1	Solenoid Valve ASM	2:2	237-79	1	O-Ring
1:6:1	110-8908	1	Spool Valve Seal Kit	3	115-9148	1	Fitting-Elbow-90
1:7	115-3022	1	Relief-Proportional	3:1	237-42	1	O-Ring
				4	354-79	1	Cap-Dust

● Not serviced separately



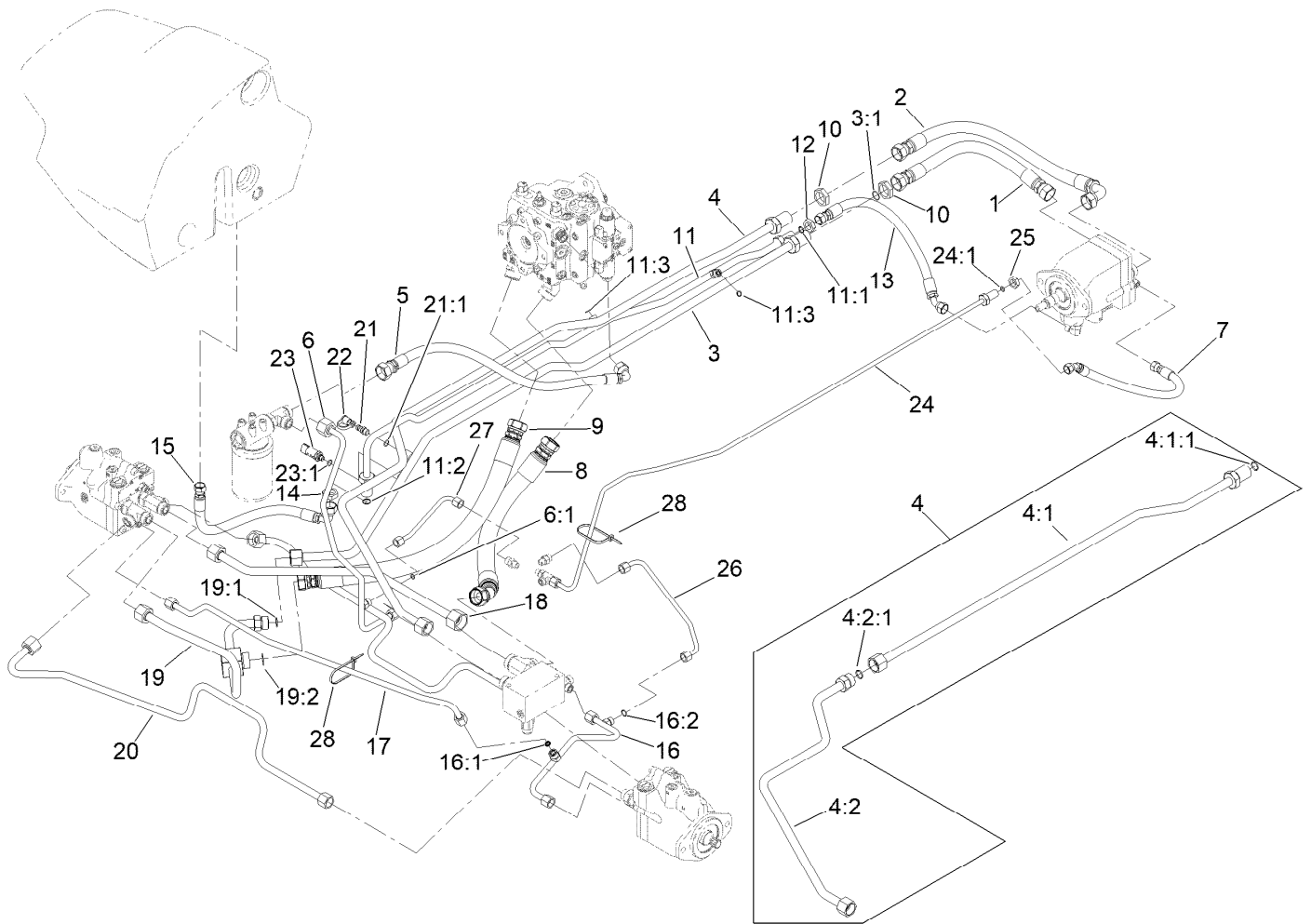
Traction Manifold Assembly No. 136-3341

Ref.	Part Number	Qty.	Description
3	110-0495	1	Plug-Orifice (0.050 Inch)
6	125-4328	1	Valve-Check
6:1	125-4336	1	Seal Kit
7	125-7567	1	Valve-Pressure Reducing
7:1	125-4334	1	Seal Kit
8	136-3342	1	Valve-Relief
8:1	110-6316	1	Seal Kit



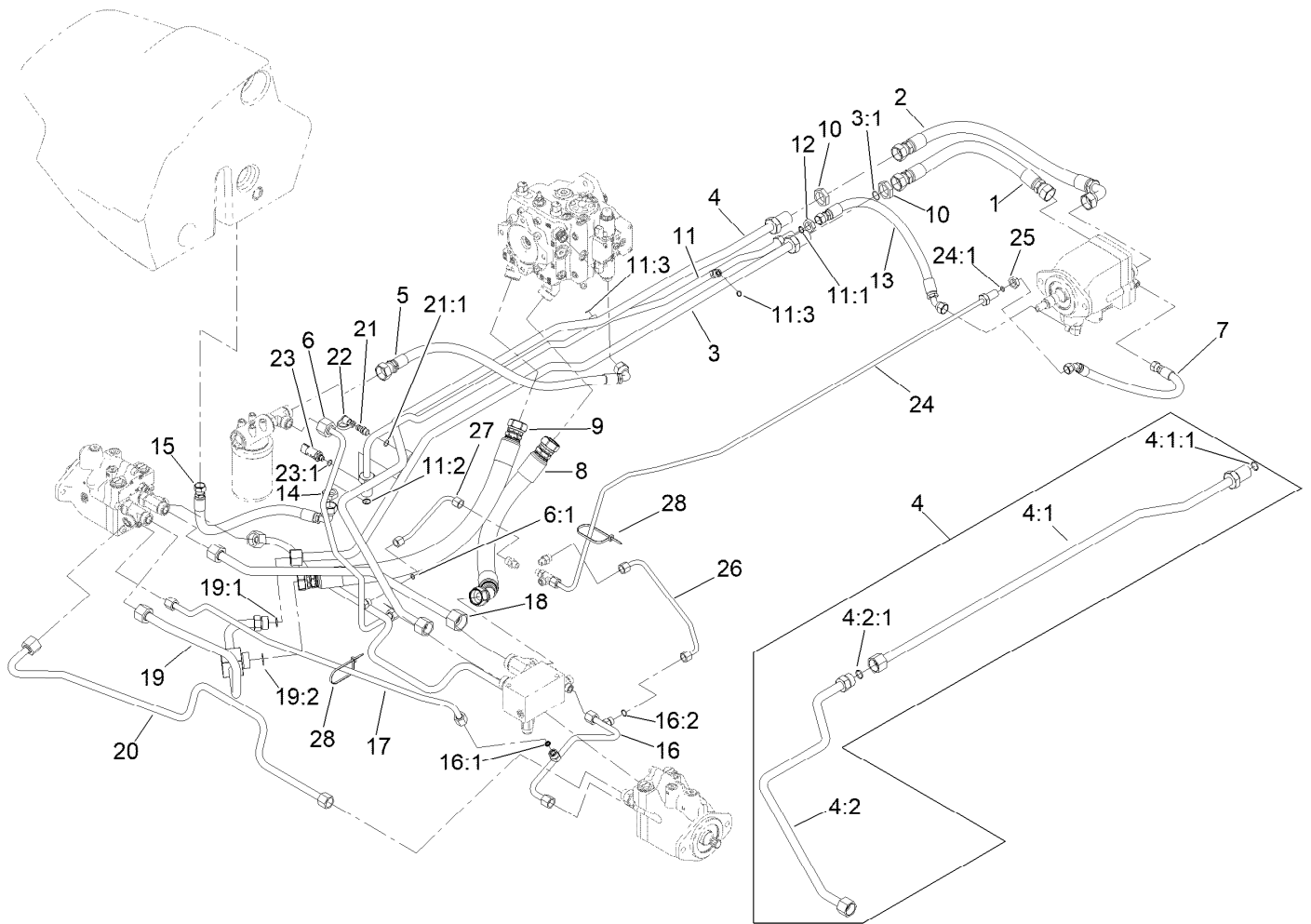
3-Way Valve Manifold Assembly No. 138-6946

<i>Ref.</i>	<i>Part Number</i>	<i>Qty.</i>	<i>Description</i>
2	138-3828	1	Valve-Solenoid, 3 Way 2 Position
2:1	138-3831	1	Seal Kit
3	138-3825	2	Plate-Mounting, Standard
4	138-3827	1	Screw
5	92-9258	1	Adapter-Check
5:1	237-22	1	O-Ring
5:2	237-42	1	O-Ring
6	340-2	1	Fitting-Straight
6:1	237-22	1	O-Ring
6:2	237-42	1	O-Ring
7	340-86	1	Fitting-Tee
7:1	237-22	2	O-Ring
7:2	237-42	1	O-Ring



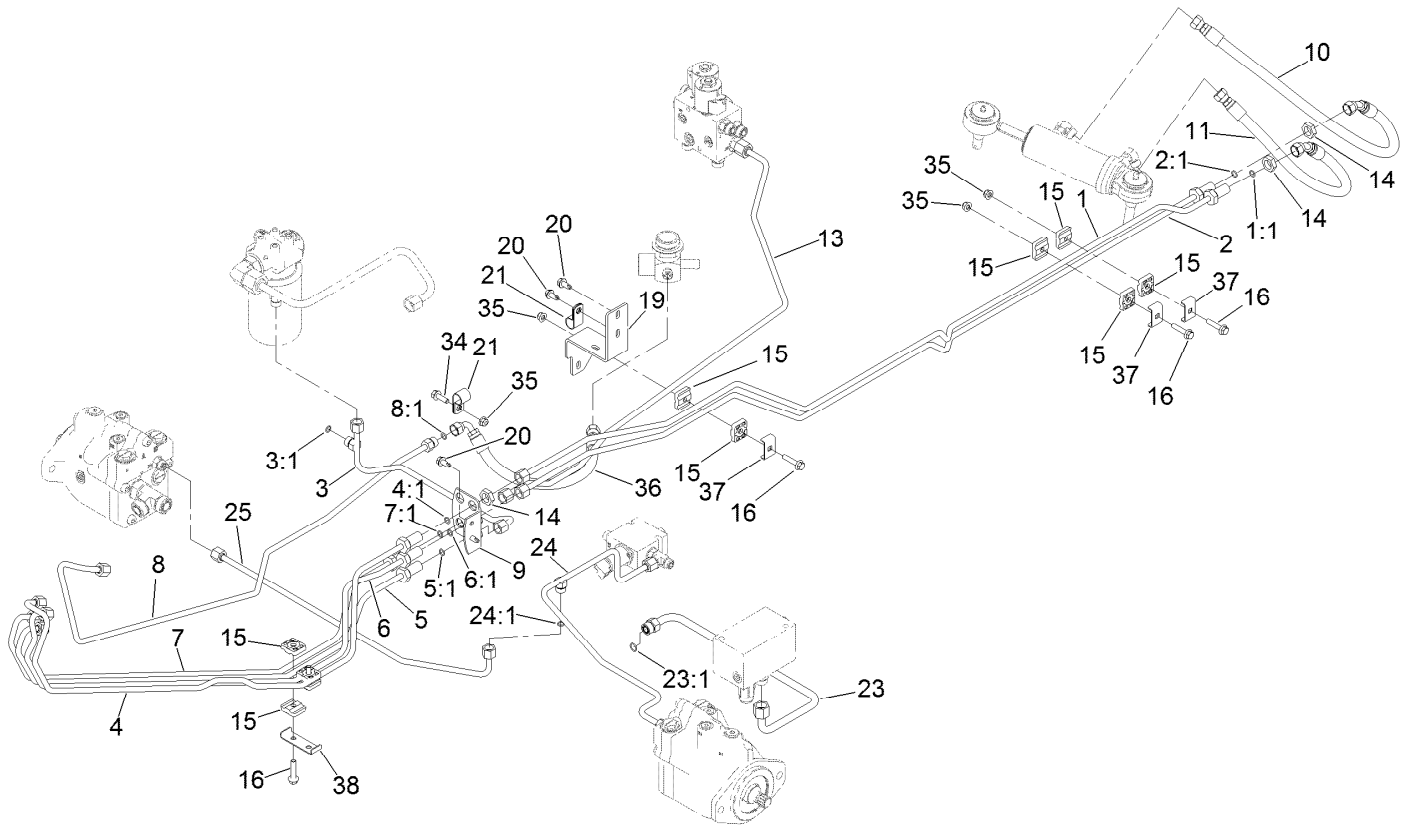
Hydraulic Traction Circuit Assembly

Ref.	Part Number	Qty.	Description	Ref.	Part Number	Qty.	Description
1	120-8053	1	Hose ASM	13	92-2406	1	Hose-HYD
2	104-3789	1	Filter Hose ASM	14	340-74	1	Nut-Lock, Bulkhead
3	120-8079	1	Tube ASM	15	136-2911	1	Hose ASM
3:1	237-58	1	O-Ring	16	121-3055	1	Tube ASM
4	136-2945	1	HYD Tube Kit	16:1	237-30	1	O-Ring
4:1	138-1246	1	Tube ASM	16:2	237-22	1	O-Ring
4:1:1	237-58	1	O-Ring	17	121-3056	1	Tube ASM
4:2	138-1247	1	Tube ASM	18	121-3123	1	Tube ASM
4:2:1	237-58	1	O-Ring	19	125-4569	1	Tube ASM
5	136-2925	1	Hose ASM	19:1	237-58	1	O-Ring
6	120-8047	1	Tube ASM	19:2	340-65	1	O-Ring
6:1	237-22	1	O-Ring	20	147-6092	2	Hose ASM-HYD
7	92-7595	1	Hose-HYD	21	59-7410	1	Fitting-Diagnostic
8	136-2927	1	Hose ASM	21:1	237-42	1	O-Ring
9	136-2928	1	Hose ASM	22	354-79	1	Cap-Dust
10	340-126	2	Nut-Bulkhead	23	119-0011	1	Pressure Transducer ASM
11	136-2882	1	HYD Tube ASM	23:1	237-78	1	O-Ring
11:1	237-30	1	O-Ring	24	120-8052	1	Tube ASM
11:2	237-65	1	O-Ring	24:1	237-22	1	O-Ring
11:3	237-22	2	O-Ring	25	340-70	1	Nut-Lock
12	340-127	1	Nut-Bulkhead	26	147-6093	1	Hose ASM-HYD



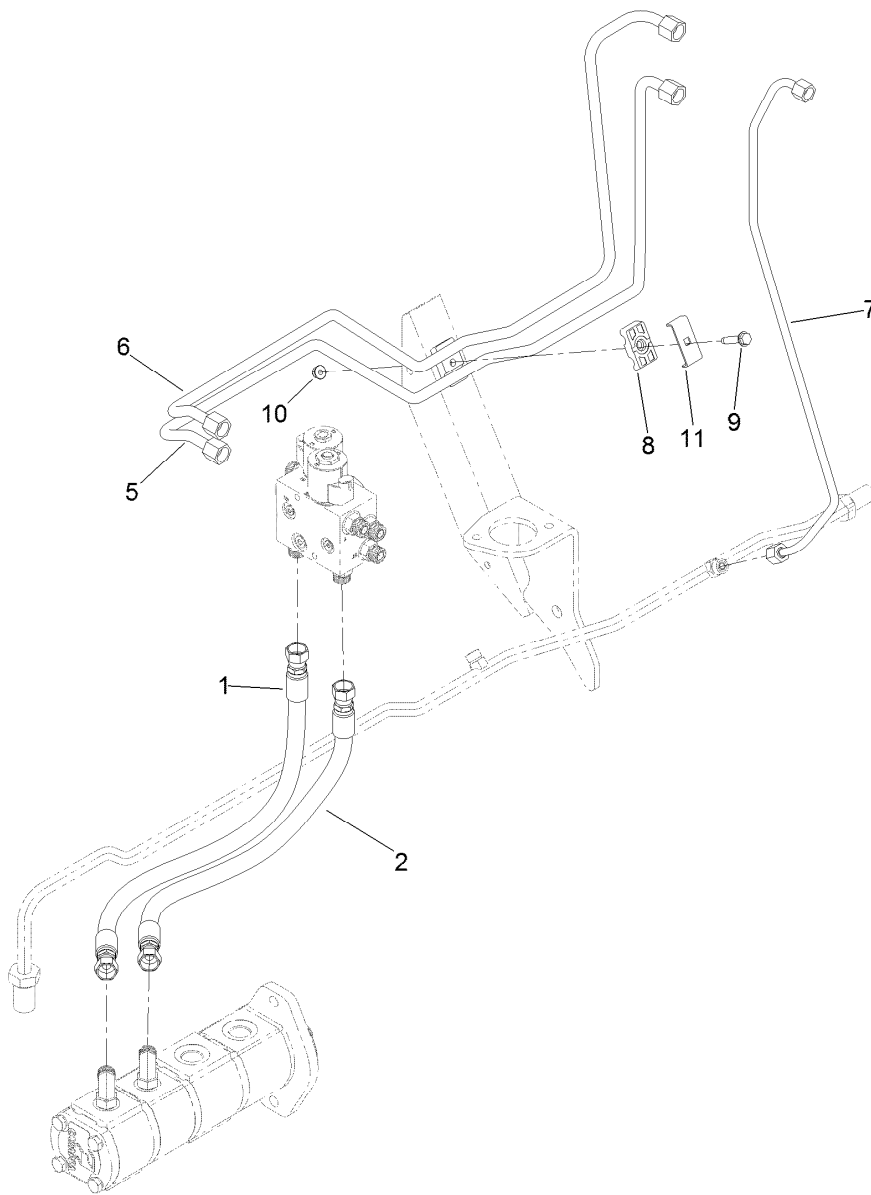
Hydraulic Traction Circuit Assembly (continued)

<i>Ref.</i>	<i>Part Number</i>	<i>Qty.</i>	<i>Description</i>
27	125-4566	1	Tube ASM
28	3290-378	2	Tie-Cable



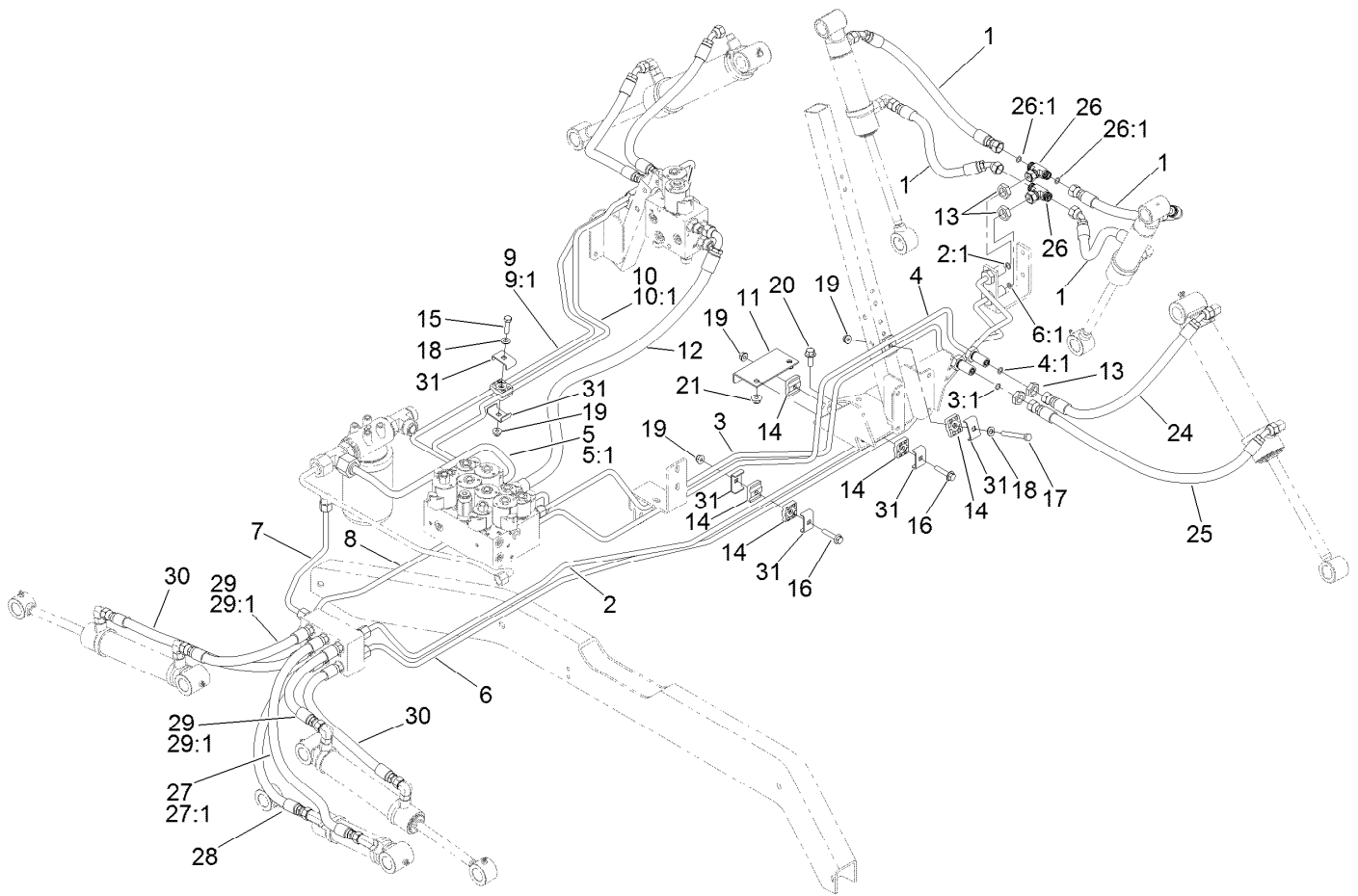
Steering Hydraulic Assembly

Ref.	Part Number	Qty.	Description	Ref.	Part Number	Qty.	Description
1	120-8056	1	Tube ASM	11	92-7539	1	Hose-HYD
1:1	237-22	1	O-Ring	13	120-8057	1	Tube ASM
2	120-8055	1	Tube ASM	14	340-70	6	Nut-Lock
2:1	237-22	1	O-Ring	15	56-7973	10	Clamp-Tube
3	136-3311	1	Hydraulic Tube ASM	16	115-1794	5	Screw-HHF
3:1	237-22	1	O-Ring	19	105-3993-0P	1	Bracket-Tube Support
4	115-4408	1	Tube ASM	20	32104-32	4	Screw-HWH
4:1	237-22	1	O-Ring	21	2412-81	2	Clamp-R
5	115-4406	1	Tube ASM	23	125-4570	1	Tube ASM
5:1	237-22	1	O-Ring	23:1	237-30	1	O-Ring
6	115-4409	1	Tube ASM	24	121-3064	1	Tube ASM
6:1	237-22	1	O-Ring	24:1	237-22	1	O-Ring
7	115-4405	1	Tube ASM	25	121-3063	1	Tube ASM
7:1	237-22	1	O-Ring	34	3234-29	1	Screw-HHF
8	136-3414	1	Hydraulic Tube ASM	35	119-4041	4	Nut-HF
8:1	237-22	1	O-Ring	36	92-5694	1	Hose-Hydraulic
9	92-7606-0P	1	Bracket - Bulkhead *b	37	119-1418	3	Plate-Clamp, Short
10	125-4560	1	Hose ASM	38	131-7789	1	Plate-Bent, Clamp



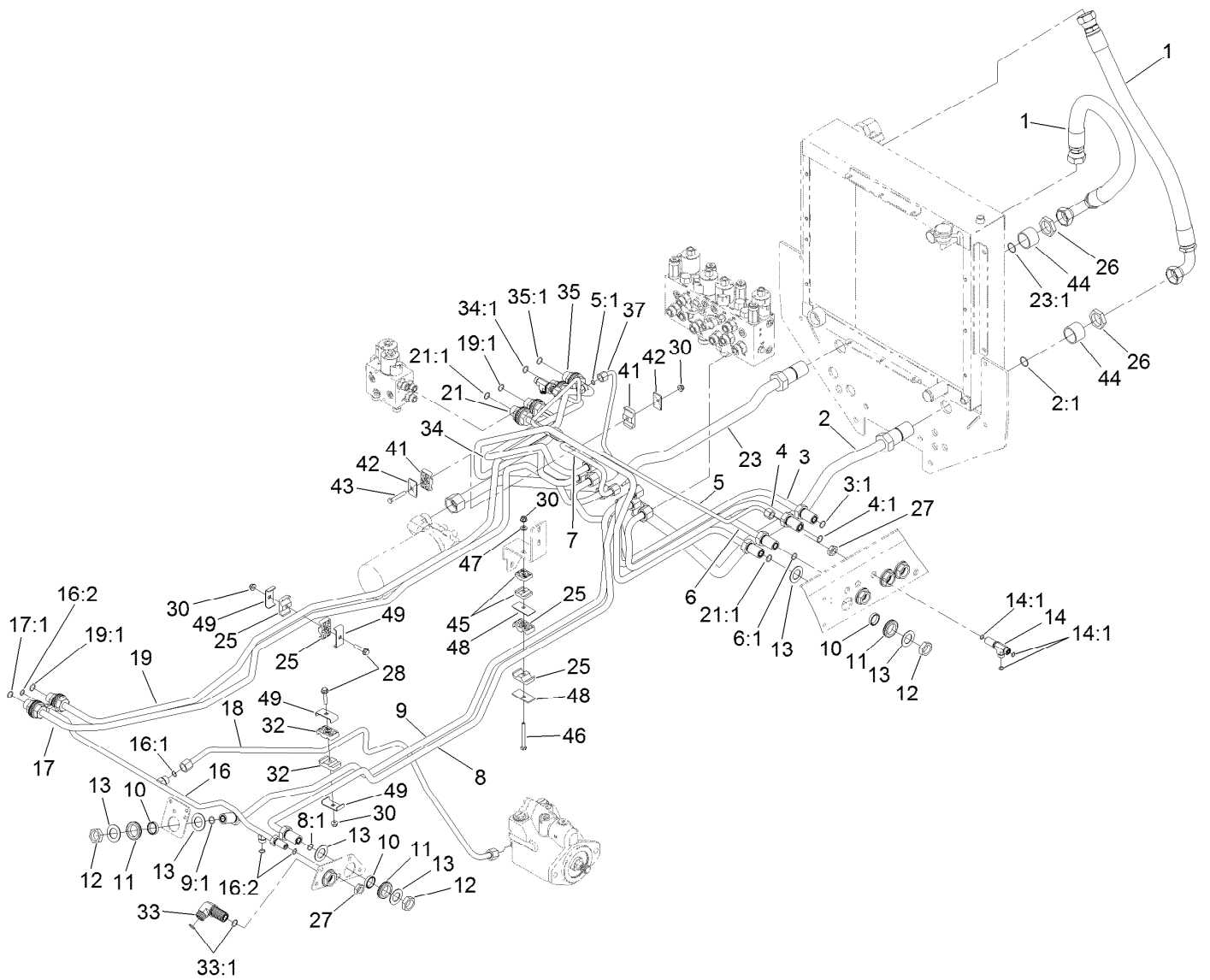
Hydraulic Traction Circuit Assembly

<i>Ref.</i>	<i>Part Number</i>	<i>Qty.</i>	<i>Description</i>
1	125-4558	1	Hose ASM
2	95-8829	1	Hose ASM
5	125-4601	1	Tube ASM
6	125-4599	1	Tube ASM
7	125-4602	1	Tube ASM
8	56-7976	2	Clamp-Tube
9	32144-57	1	Screw-Thd Roll
10	119-4041	1	Nut-HF
11	119-1419	1	Plate-Clamp



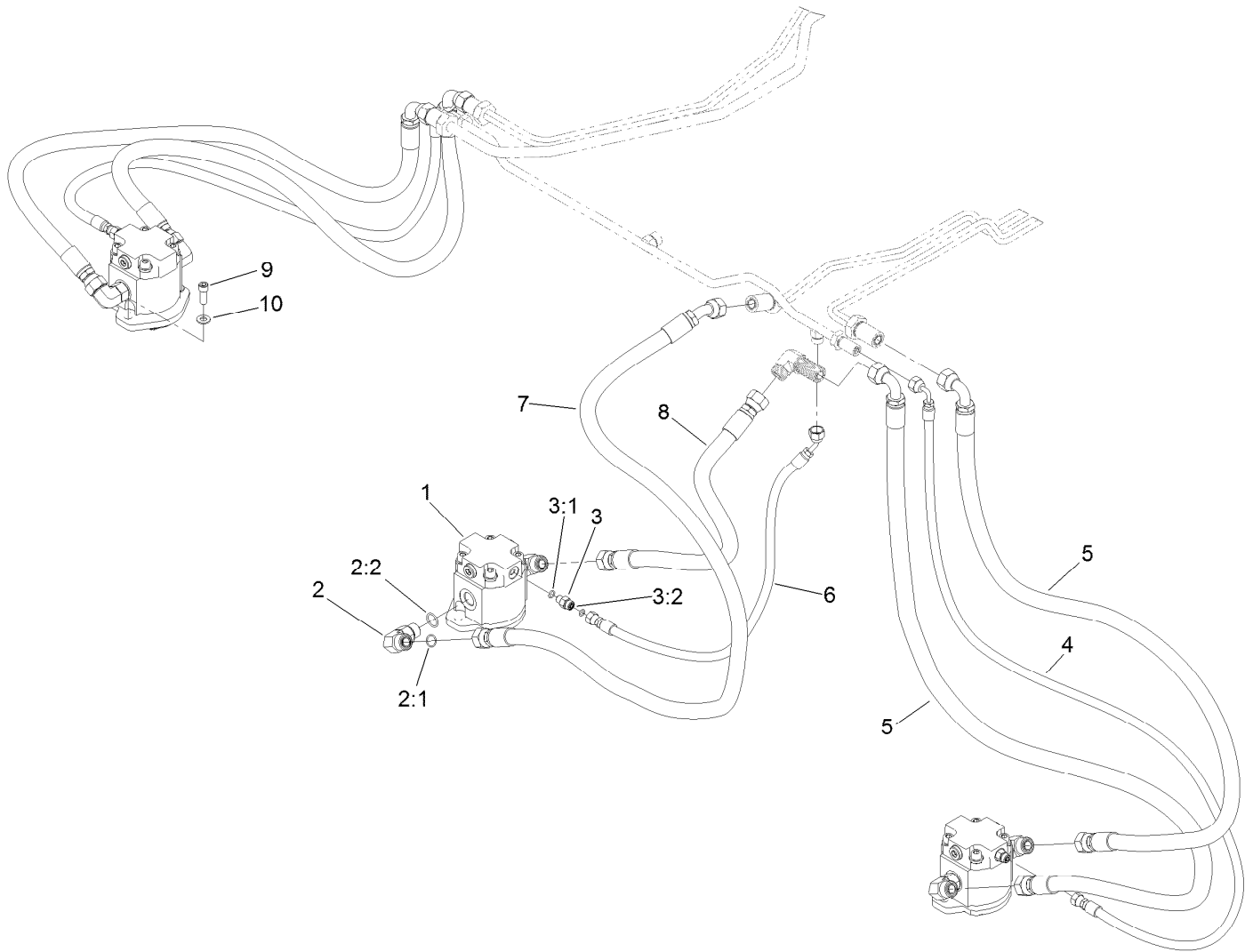
Deck Lift Hydraulic Circuit Assembly

Ref.	Part Number	Qty.	Description	Ref.	Part Number	Qty.	Description
1	105-9238	4	Hose-HYD	14	56-7973	10	Clamp-Tube
2	121-3103	1	Tube ASM	15	322-6	1	Screw-HH
2:1	237-22	1	O-Ring	16	115-1794	2	Screw-HHF
3	114-8140	1	Tube ASM	17	322-14	2	Screw-HH
3:1	237-22	1	O-Ring	18	3256-23	3	Washer-Plain
4	114-8141	1	Tube ASM	19	119-4041	5	Nut-HF
4:1	237-22	1	O-Ring	20	3234-11	2	Screw-HHF
5	136-3310	1	Hydraulic Tube ASM	21	119-4042	2	Nut-HF, NI
5:1	237-22	1	O-Ring	24	105-3918	2	Hose-HYD
6	121-3104	1	Tube ASM	25	105-3919	2	Hose-HYD
6:1	237-22	1	O-Ring	26	340-166	2	Fitting-Tee
7	136-3309	1	Hydraulic Tube	26:1	237-22	2	O-Ring
8	136-3308	1	Hydraulic Tube ASM	27	104-5511	1	Hose -HYD
9	114-8138	1	Tube ASM	27:1	237-42	1	O-Ring
9:1	237-22	1	O-Ring	28	100-5629	1	Hose ASM
10	114-8139	1	Tube ASM	29	104-5512	2	Hose-HYD
10:1	237-22	1	O-Ring	29:1	237-42	1	O-Ring
11	105-3990-0P	1	Bracket-Tube Support	30	99-3579	2	Hose-HYD
12	131-7758	1	Hose ASM	31	119-1418	7	Plate-Clamp, Short
13	340-70	6	Nut-Lock				



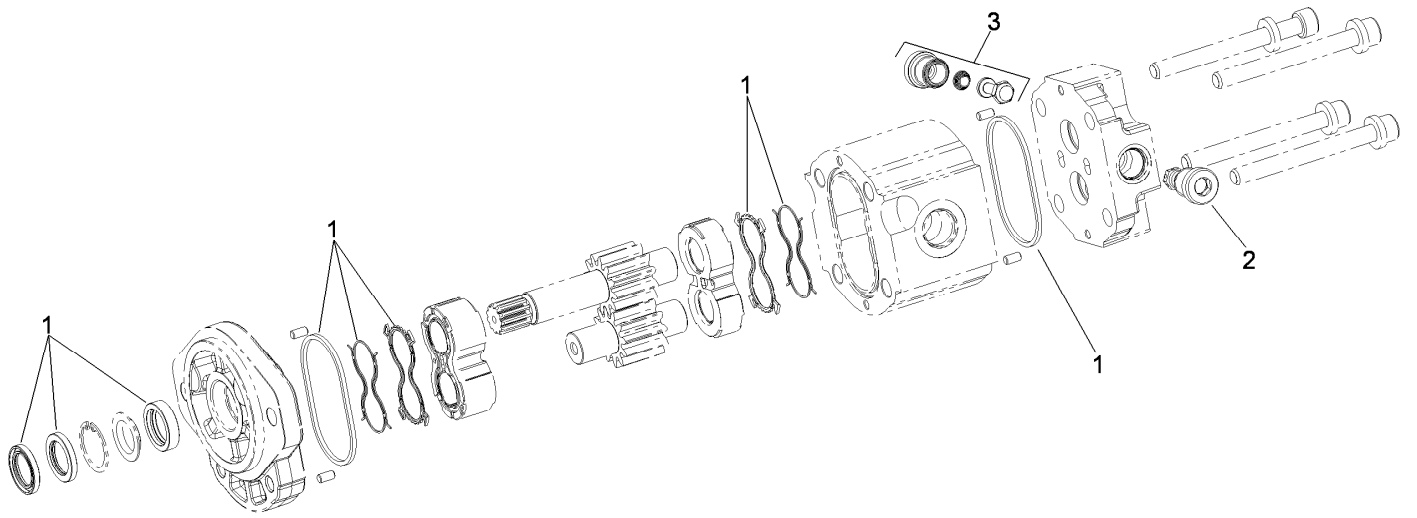
Hydraulic Mow Circuit Assembly (continued)

<i>Ref.</i>	<i>Part Number</i>	<i>Qty.</i>	<i>Description</i>	<i>Ref.</i>	<i>Part Number</i>	<i>Qty.</i>	<i>Description</i>
34	121-3112	1	Tube ASM	43	322-10	1	Screw-HH
34:1	237-65	1	O-Ring	44	125-4577	2	Spacer
35	125-4555	1	Tube ASM	45	56-7973	2	Clamp-Tube
35:1	237-65	1	O-Ring	46	322-14	1	Screw-HH
37	121-3115	1	Tube ASM	47	3256-23	1	Washer-Plain
41	56-7977	2	Clamp-Tube	48	69-9761	2	Plate-Cover
42	69-9760	2	Plate-Cover	49	119-1419	4	Plate-Clamp



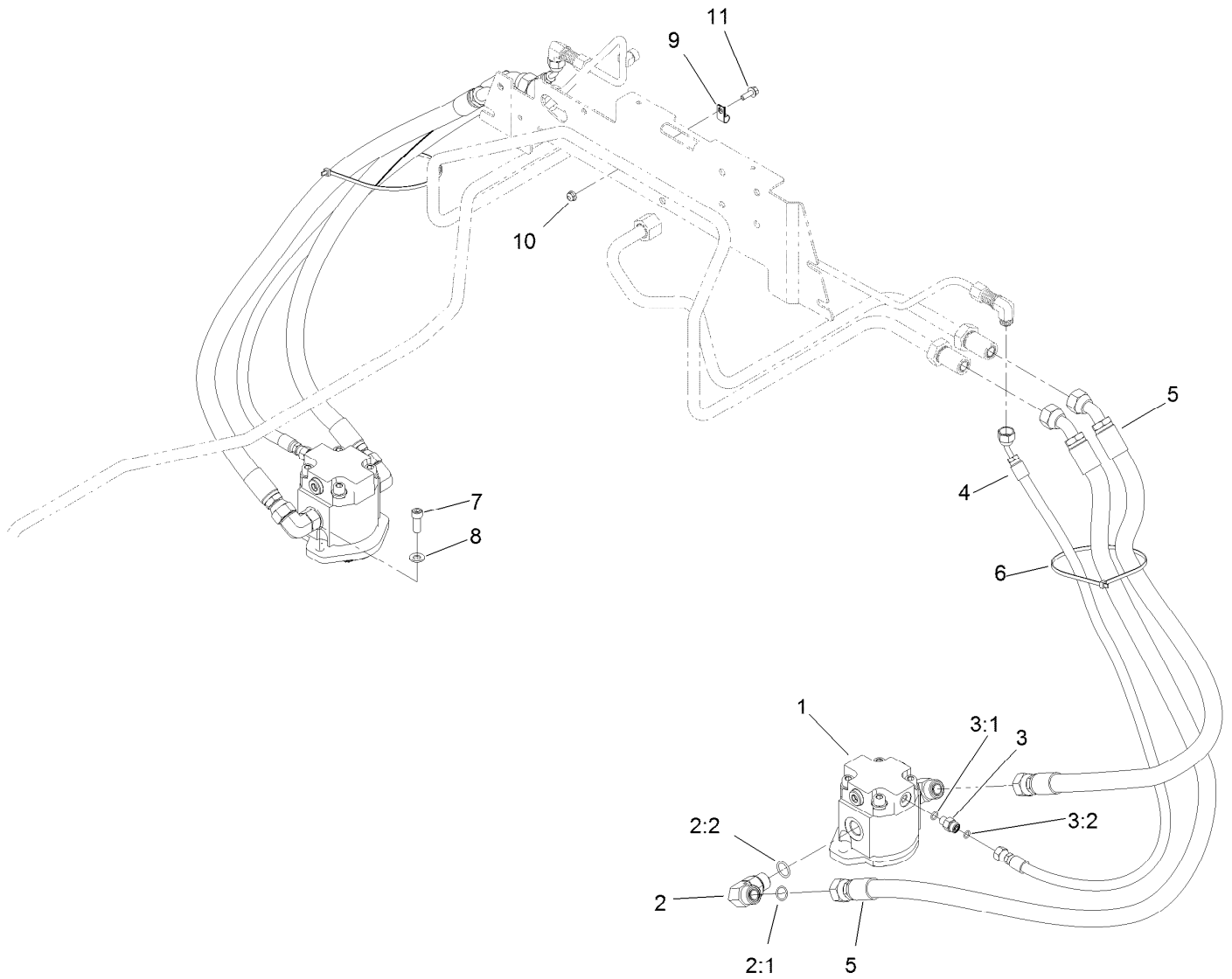
Deck No. 1, 4 and 5 Hydraulic Assembly

Ref.	Part Number	Qty.	Description
1	117-5141	3	HYD Motor ASM
2	340-17	6	Fitting-Elbow, 90 DEG
2:1	237-65	1	O-Ring
2:2	237-80	1	O-Ring
3	340-92	3	Fitting-Straight
3:1	237-78	1	O-Ring
3:2	237-21	1	O-Ring
4	104-5500	2	Hose-HYD
5	104-5501	4	Hose-HYD
6	104-5502	1	Hose-HYD
7	104-5504	1	Hose-HYD
8	104-5505	1	Hose-HYD
9	3274-7	6	Screw-HSH
10	3256-24	6	Washer-Plain



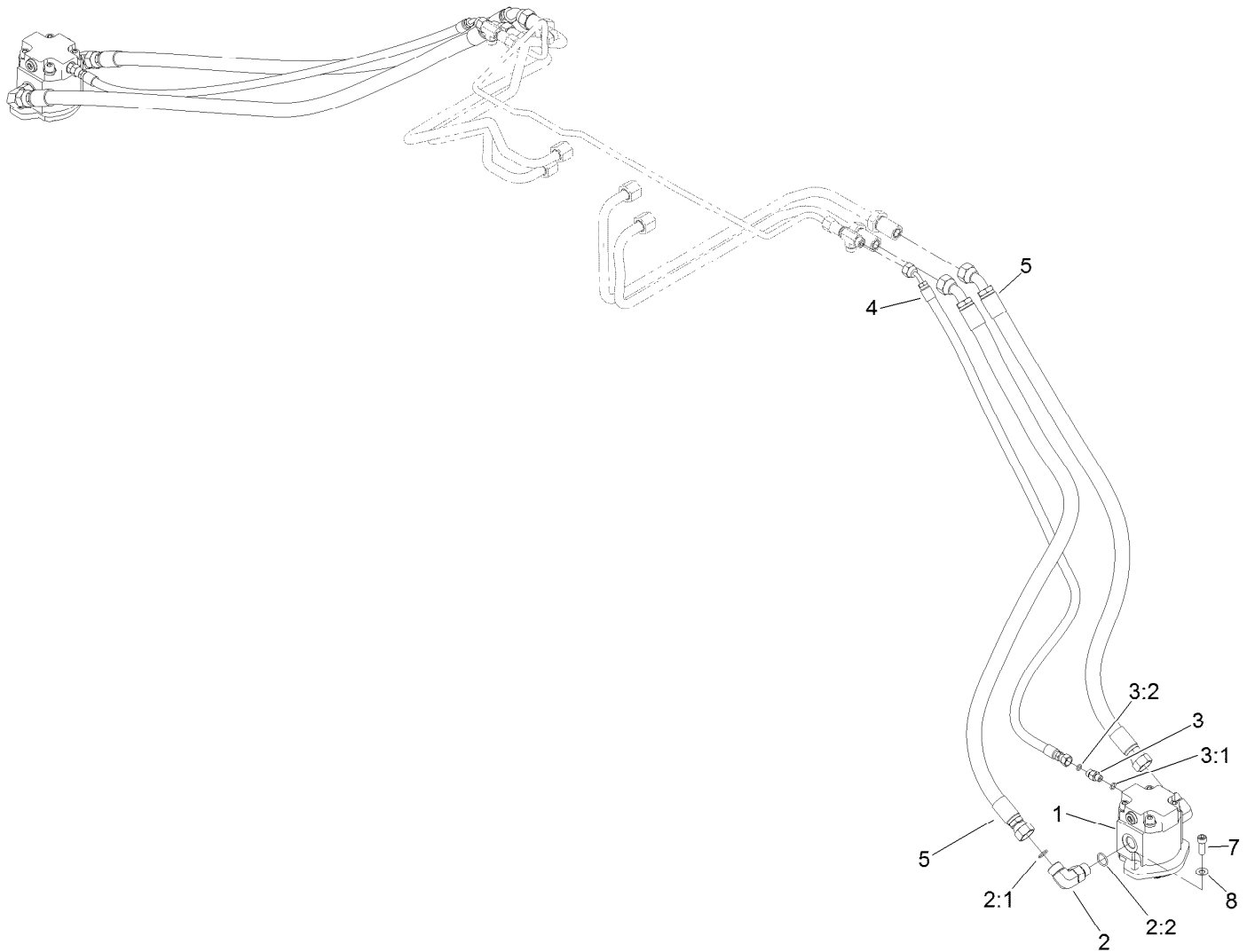
Gear Motor Assembly No. 117-5141

<i>Ref.</i>	<i>Part Number</i>	<i>Qty.</i>	<i>Description</i>
1	161-7216	1	Seal Kit
2	107-7820	1	Valve-Relief
3	107-7821	1	Valve-Anticavitation



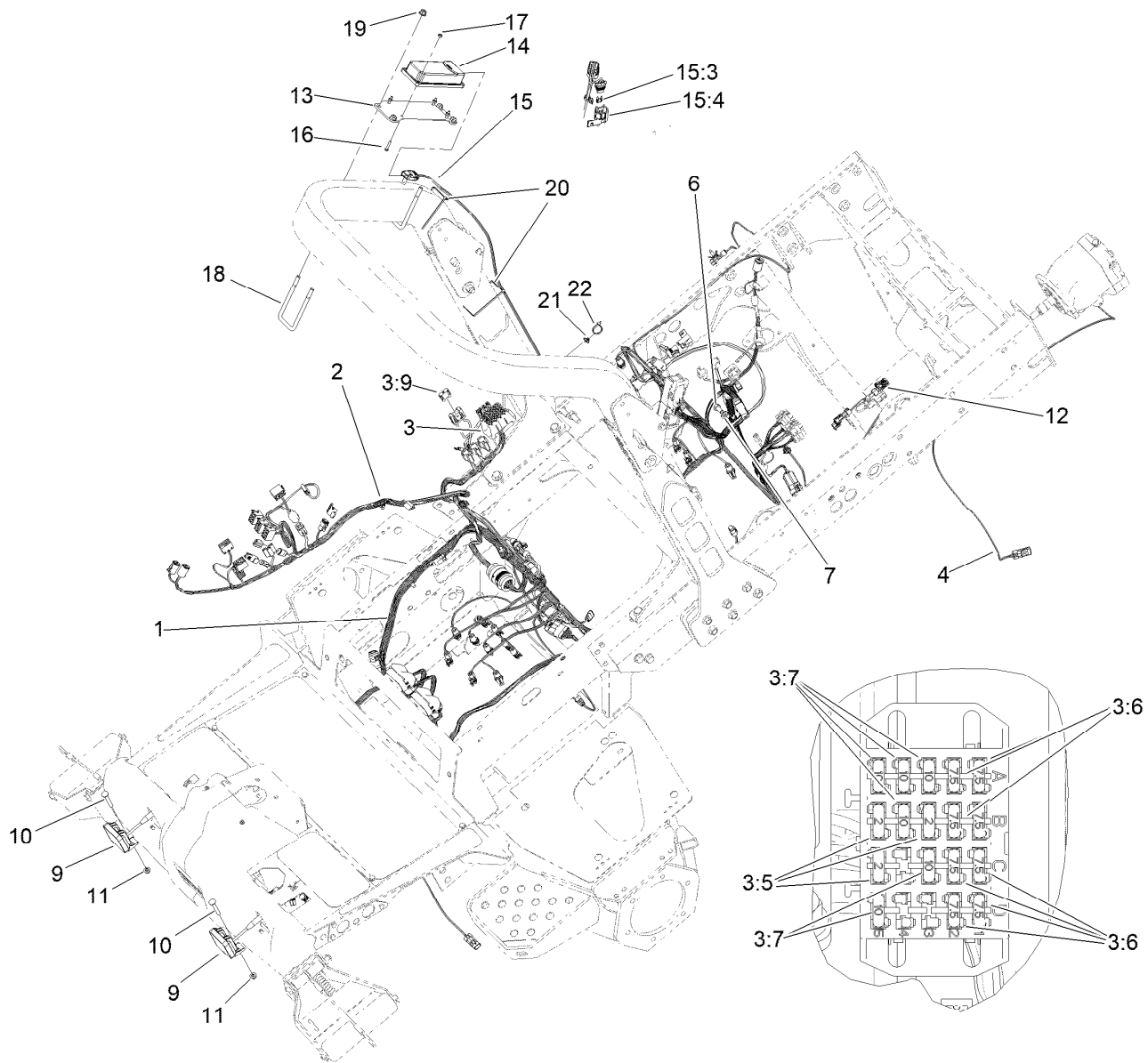
Deck No. 2 and 3 Hydraulic Assembly

Ref.	Part Number	Qty.	Description
1	117-5141	2	HYD Motor ASM
2	340-17	4	Fitting-Elbow, 90 DEG
2:1	237-65	1	O-Ring
2:2	237-80	1	O-Ring
3	340-92	2	Fitting-Straight
3:1	237-78	1	O-Ring
3:2	237-21	1	O-Ring
4	104-5502	2	Hose-HYD
5	104-5505	4	Hose-HYD
6	3290-379	2	Tie-Cable
7	3274-7	4	Screw-HSH
8	3256-24	4	Washer-Plain
9	2412-89	1	Clamp-R
10	104-7201	1	Nut-HF, NI
11	3234-4	1	Screw-HHF



Deck No. 6 and 7 Hydraulic Assembly

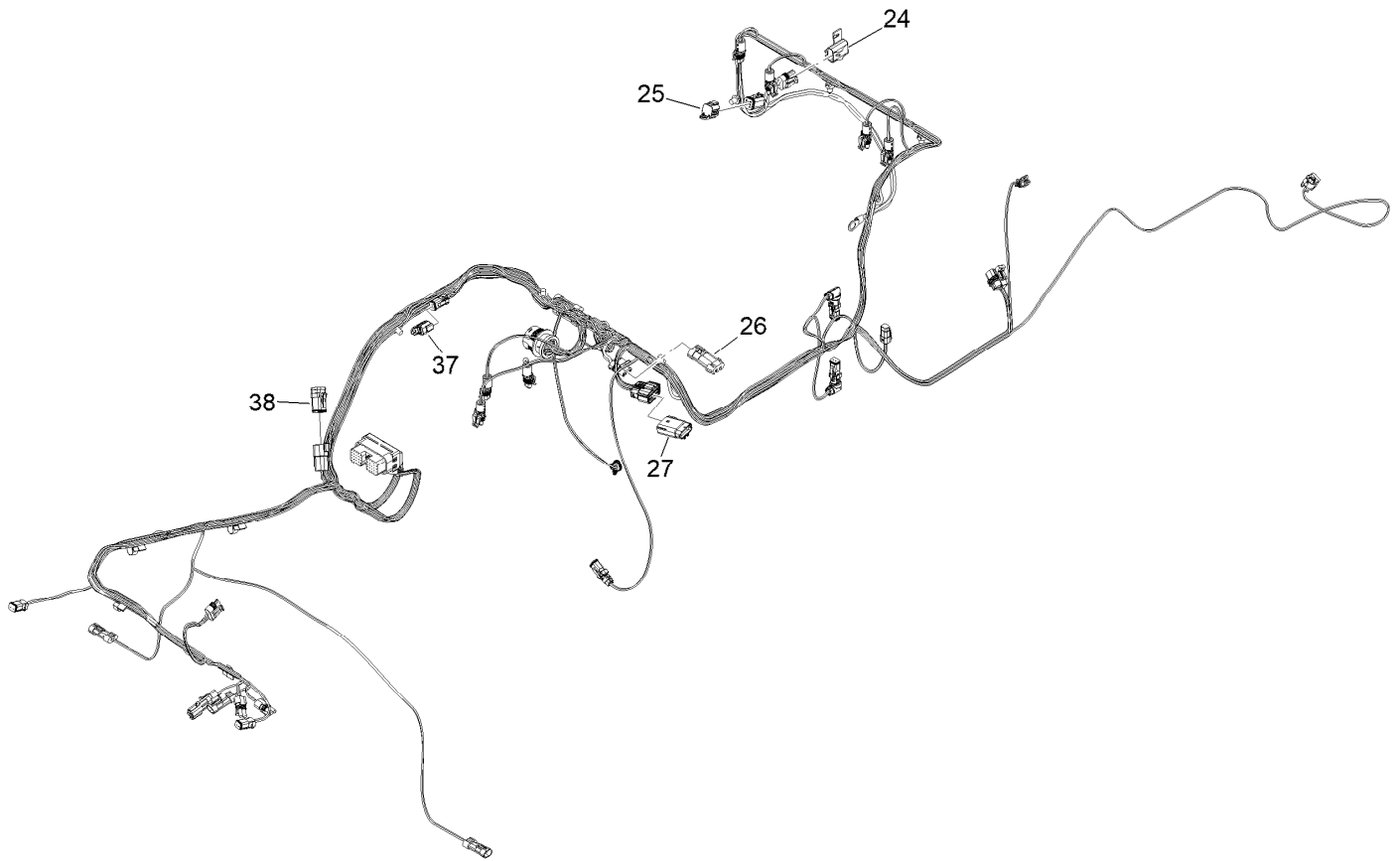
<i>Ref.</i>	<i>Part Number</i>	<i>Qty.</i>	<i>Description</i>
1	117-5141	2	HYD Motor ASM
2	340-17	4	Fitting-Elbow, 90 DEG
2:1	237-65	1	O-Ring
2:2	237-80	1	O-Ring
3	340-92	2	Fitting-Straight
3:1	237-78	1	O-Ring
3:2	237-21	1	O-Ring
4	104-5499	2	Hose-HYD
5	104-5498	4	Hose-HYD
7	3274-7	4	Screw-HSH
8	3256-24	4	Washer-Plain



Electrical Assembly

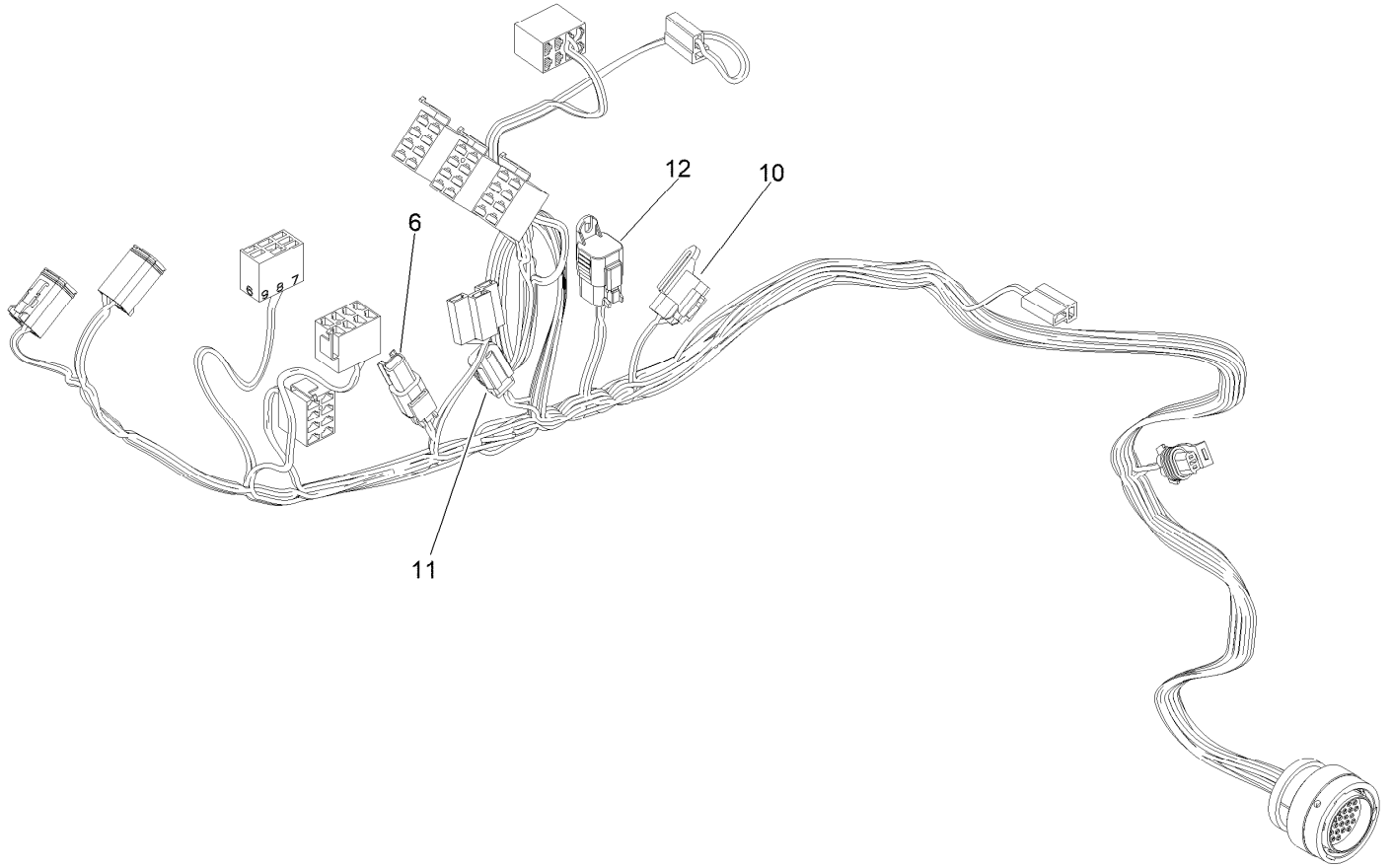
<i>Ref.</i>	<i>Part Number</i>	<i>Qty.</i>	<i>Description</i>
1	122-1263	1	Harness-Wire, Main
2	122-1264	1	Harness-Wire, Seat/Console
3	122-1262	1	Harness-Wire, Pwr Ctr T4
3:5	121-8861	3	Fuse-Mini Blade, 2 Amp
3:6	121-8865	8	Fuse-Mini Blade, 7.5 Amp
3:7	121-8866	6	Fuse-Mini Blade, 10 Amp
3:9	114-3342	1	Fuse-Maxi, 60 Amp
4	122-1273	1	Harness-Wire, Gm4700 Main
6	33115-020	1	Screw-HH
7	33095-00	1	Washer-Flat
9	145-2598	2	Light-Work, LED
10	3230-7	2	Bolt-CARR
11	119-4041	2	Nut-HF

<i>Ref.</i>	<i>Part Number</i>	<i>Qty.</i>	<i>Description</i>
12	122-1130	1	Harness-Wire, Noise Reducer
13	161-8398-03	1	Bracket-Hmu Mouting
14	161-9001	1	Gateway-Telematics
15	122-2163	1	Harness-Wire
15:3	121-8861	1	Fuse-Mini Blade, 2 Amp
15:4	32180-101	1	Cover-Fuse, Single
16	131-6456	4	Screw-HWH
17	3296-2	4	Nut-Lock, NI
18	136-3644	2	U-Bolt-Sq
19	119-4042	4	Nut-HF, NI
20	3290-379	2	Tie-Cable
21	32180-139	2	Mount-Tie Wrap, Magnetic
22	3290-378	4	Tie-Cable



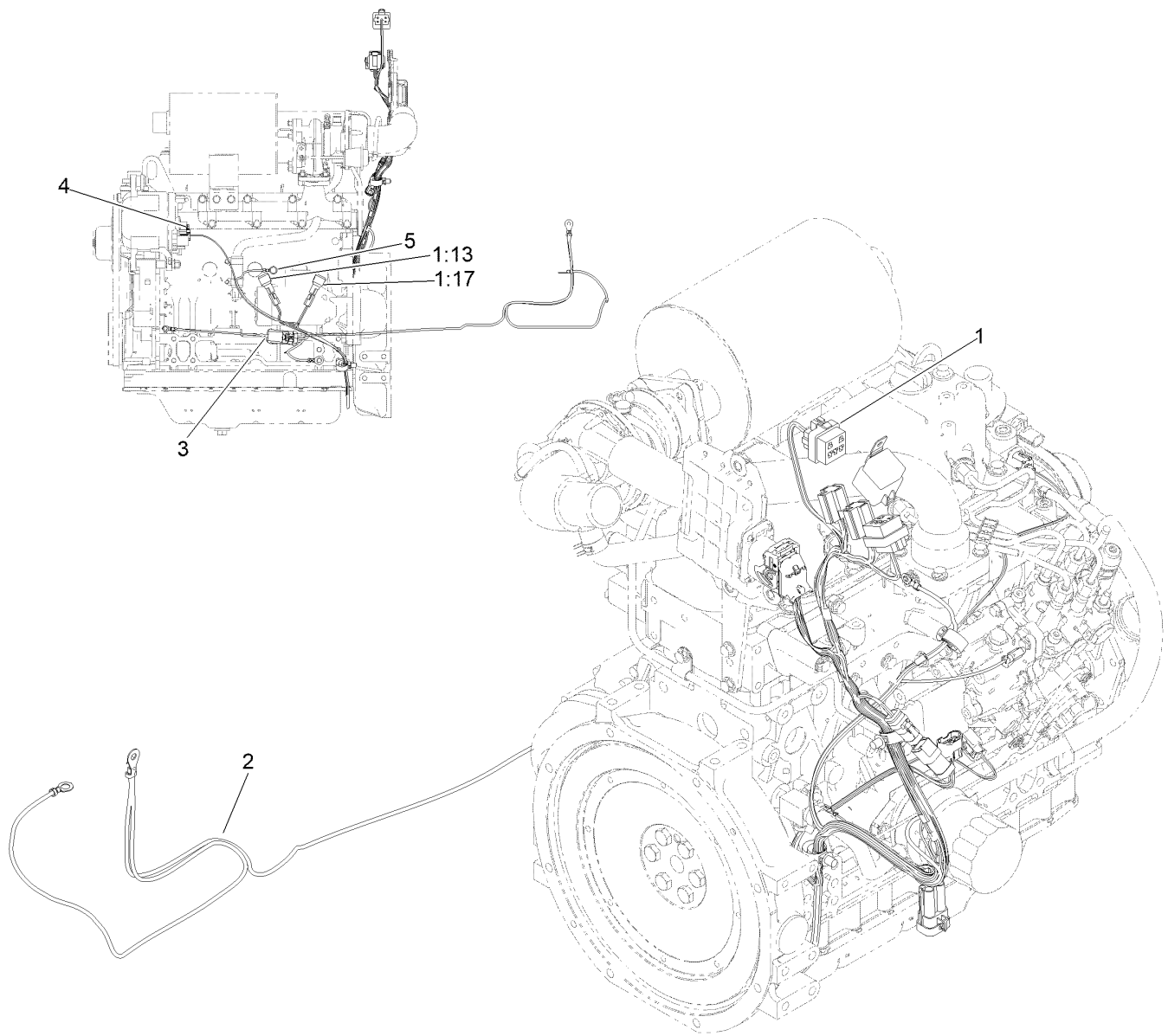
Main Wire Harness Assembly No. 122-1263

<i>Ref.</i>	<i>Part Number</i>	<i>Qty.</i>	<i>Description</i>
24	32180-019	1	Cover-Fuse, Single
25	32180-156	1	Cap-Plug, 6 Way
26	32160-218	1	Connector-Mp630, 2M
27	32160-150	1	Connector-Molex, 16M
37	32180-091	1	Cap-Dust, 2 Way
38	122-1131	1	Conn, Capacitor-Sealed



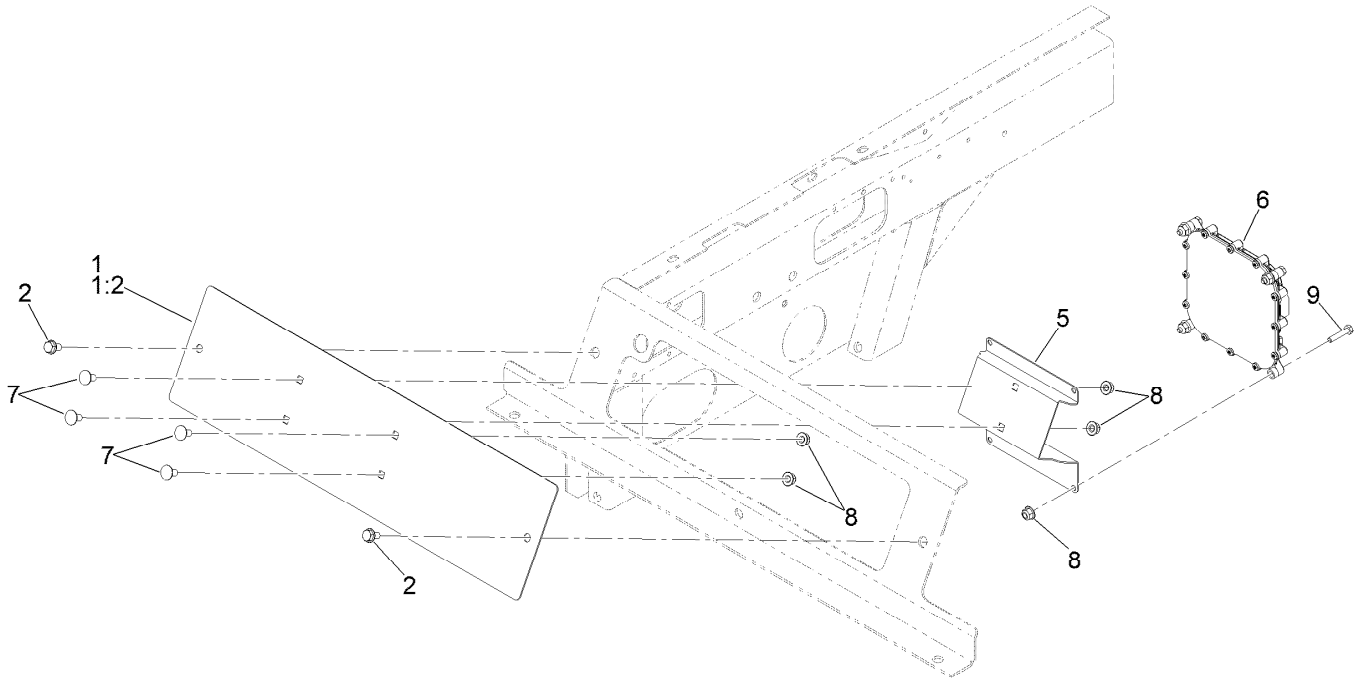
Seat/Console Wire Harness No. 122-1264

<i>Ref.</i>	<i>Part Number</i>	<i>Qty.</i>	<i>Description</i>
6	32180-282	1	Conn, Res, 120 Ohm
10	32180-089	1	Cap-Plug, 3 Way
11	32180-091	1	Cap-Dust, 2 Way
12	32180-156	1	Cap-Plug, 6 Way



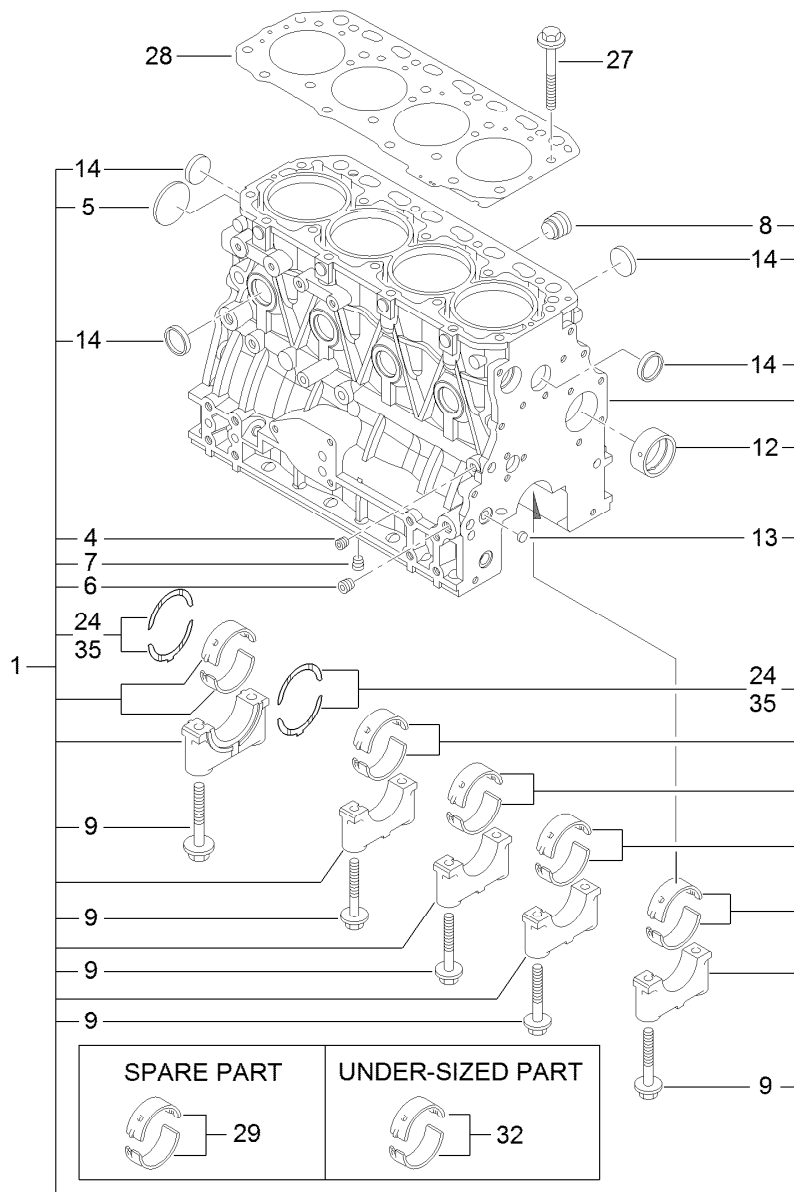
Engine Electrical Assembly

<i>Ref.</i>	<i>Part Number</i>	<i>Qty.</i>	<i>Description</i>
1	121-8853	1	Harness-Wire, Engine
1:13	100-4918	1	Diode
1:17	121-8891	1	Resistor (1.6K Ohm)
2	115-1930	1	Cable-Battery, Positive
3	108-9470	1	Harness-Wire, Fusible Link
4	33003-00	1	Nut-HF
5	33004-00	1	Nut-HF



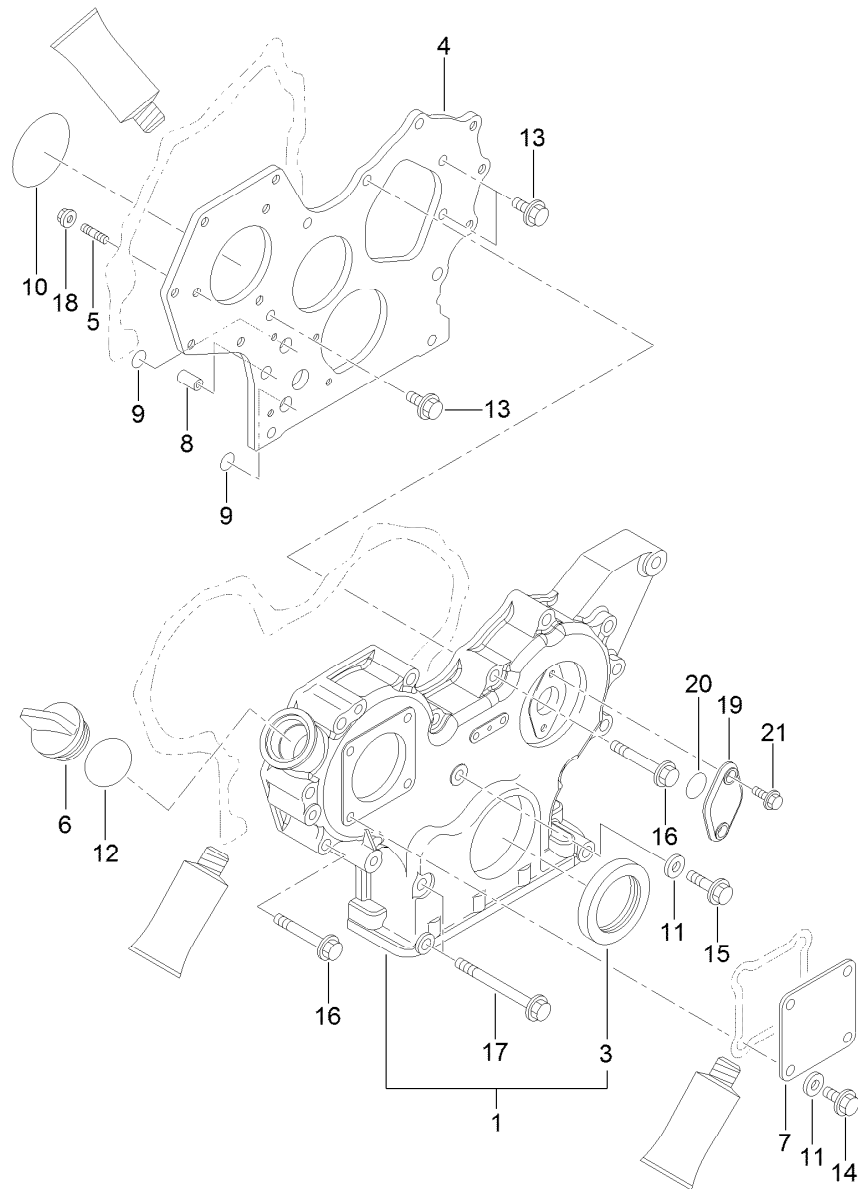
Access Panel and Controller Assembly

<i>Ref.</i>	<i>Part Number</i>	<i>Qty.</i>	<i>Description</i>
1	136-3322	1	Access Panel ASM
1:2	105-9860	2	Seal-Foam
2	3234-7	2	Screw-HHF
5	139-5992-0P	2	Bracket-Controller
6	127-2770	2	Controller
7	3230-18	4	Screw-CARR
8	119-4041	12	Nut-HF
9	321-8	8	Screw-HH



Cylinder Block Assembly

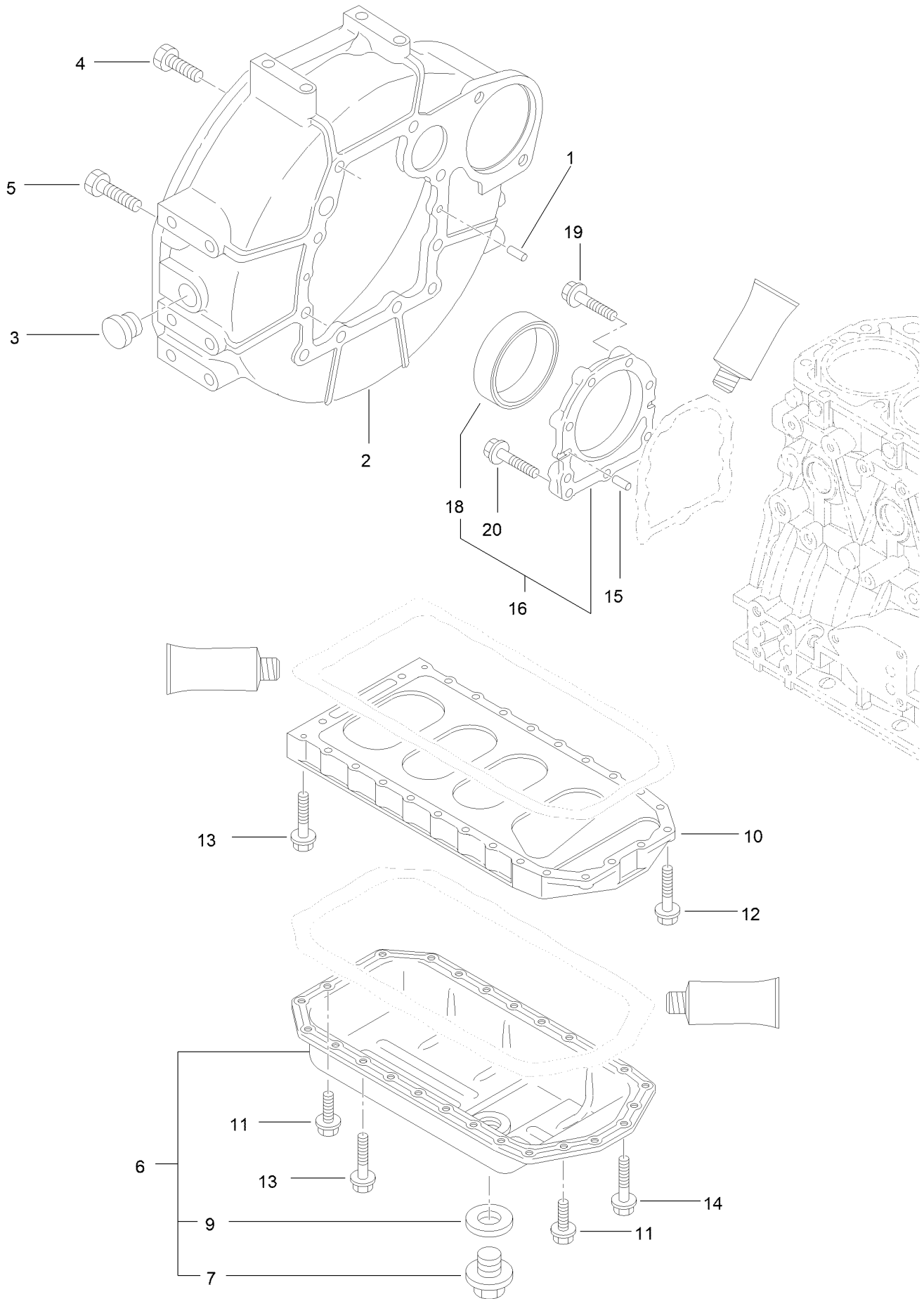
<i>Ref.</i>	<i>Part Number</i>	<i>Qty.</i>	<i>Description</i>	<i>Ref.</i>	<i>Part Number</i>	<i>Qty.</i>	<i>Description</i>
1	125-7244	1	Cylinder Block ASM	13	125-7237	2	Plug
4	125-6969	1	Plug	14	125-7239	8	Plug
5	125-6980	1	Plug	24	125-7010	2	Metal-Thrust
6	125-6973	1	Plug	27	125-7006	18	Bolt
7	125-6973	1	Plug	28	125-7049	1	Gasket-Head
8	125-7170	1	Plug	29	125-6981	5	Metal-Main
9	125-7007	10	Bolt	32	125-7009	5	Metal-Main (0.25)
12	125-7108	1	Bushing	35	125-7011	1	Metal-Thrust (0.25)



Gear Housing Assembly

<i>Ref.</i>	<i>Part Number</i>	<i>Qty.</i>	<i>Description</i>	<i>Ref.</i>	<i>Part Number</i>	<i>Qty.</i>	<i>Description</i>
1	125-7247	1	Case ASM	12	125-7197	1	O-Ring
3	125-6944	1	Seal-Oil	13	125-7214	3	Bolt
4	125-6936	1	Flange	14	125-7214	4	Bolt
5	125-6919	3	Stud	15	125-7216	1	Bolt
6	125-6972	1	Cover-Filler	16	125-7221	12	Bolt
7	125-6977	1	Cover	17	125-7224	3	Bolt
8	125-7107	2	Pipe	18	125-7229	3	Nut
9	125-6909	2	O-Ring	19	125-6950	1	Cover
10	125-6957	1	O-Ring	20	125-7199	1	O-Ring
11	125-7174	5	Washer-Seal	21	125-7208	2	Bolt

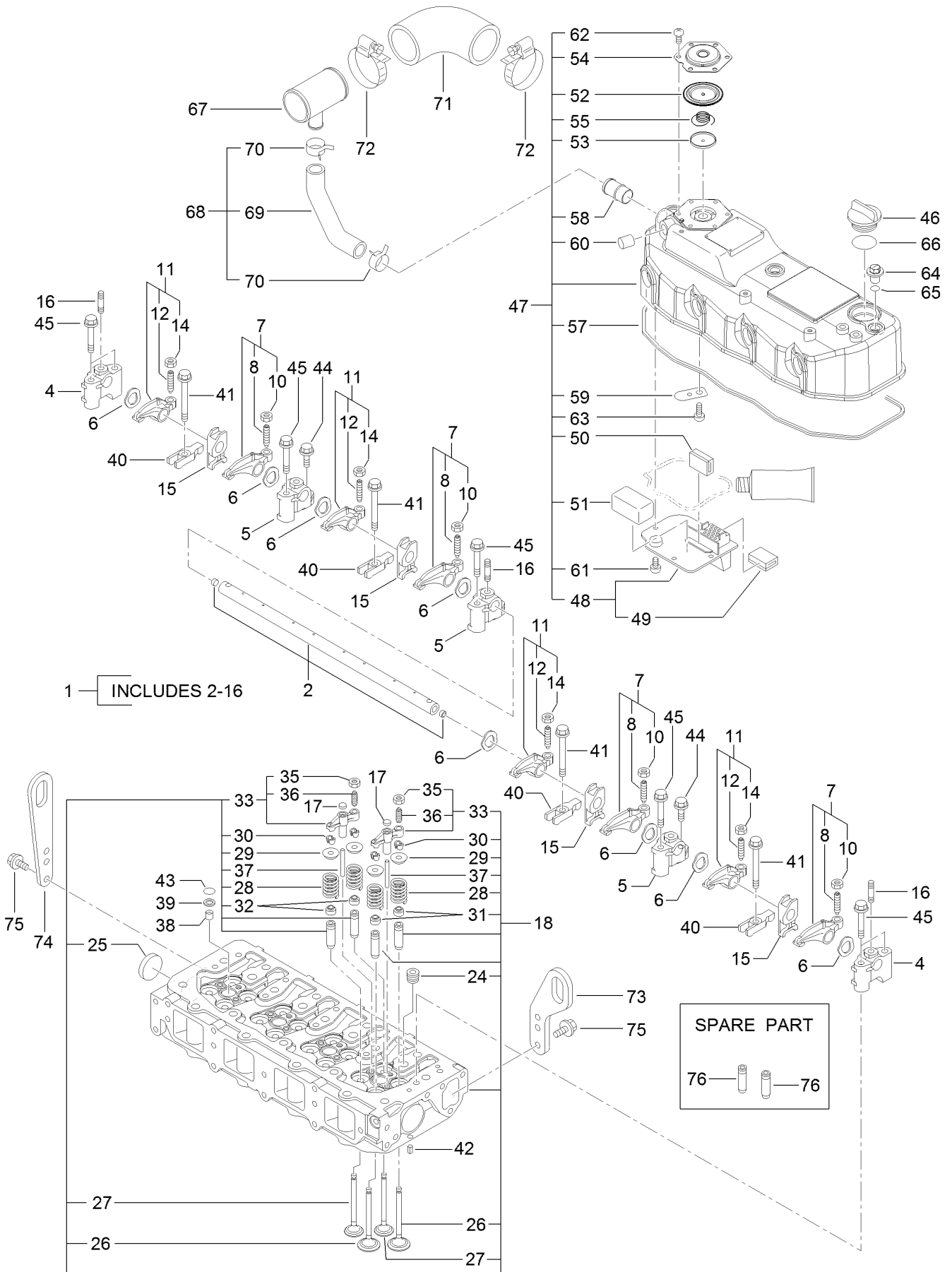
Flywheel Housing and Oil Sump Assembly



Flywheel Housing and Oil Sump Assembly (continued)

<i>Ref.</i>	<i>Part Number</i>	<i>Qty.</i>	<i>Description</i>	<i>Ref.</i>	<i>Part Number</i>	<i>Qty.</i>	<i>Description</i>
1	125-6995	2	Pin	11	125-7214	4	Bolt
2	125-7100	1	Housing	12	125-7215	2	Bolt
3	125-6910	1	Cap	13	125-7219	20	Bolt
4	125-7226	6	Bolt	14	125-7220	4	Bolt
5	125-7227	4	Bolt	15	125-6995	2	Pin
6	138-7826	1	Oil Pan ASM	16	125-6996	1	Case ASM
7	125-6912	1	Plug-Drain	18	125-7106	1	Seal-Oil
9	125-7177	1	Washer-Seal	19	125-7045	6	Bolt
10	125-7035	1	Spacer	20	125-7217	3	Bolt

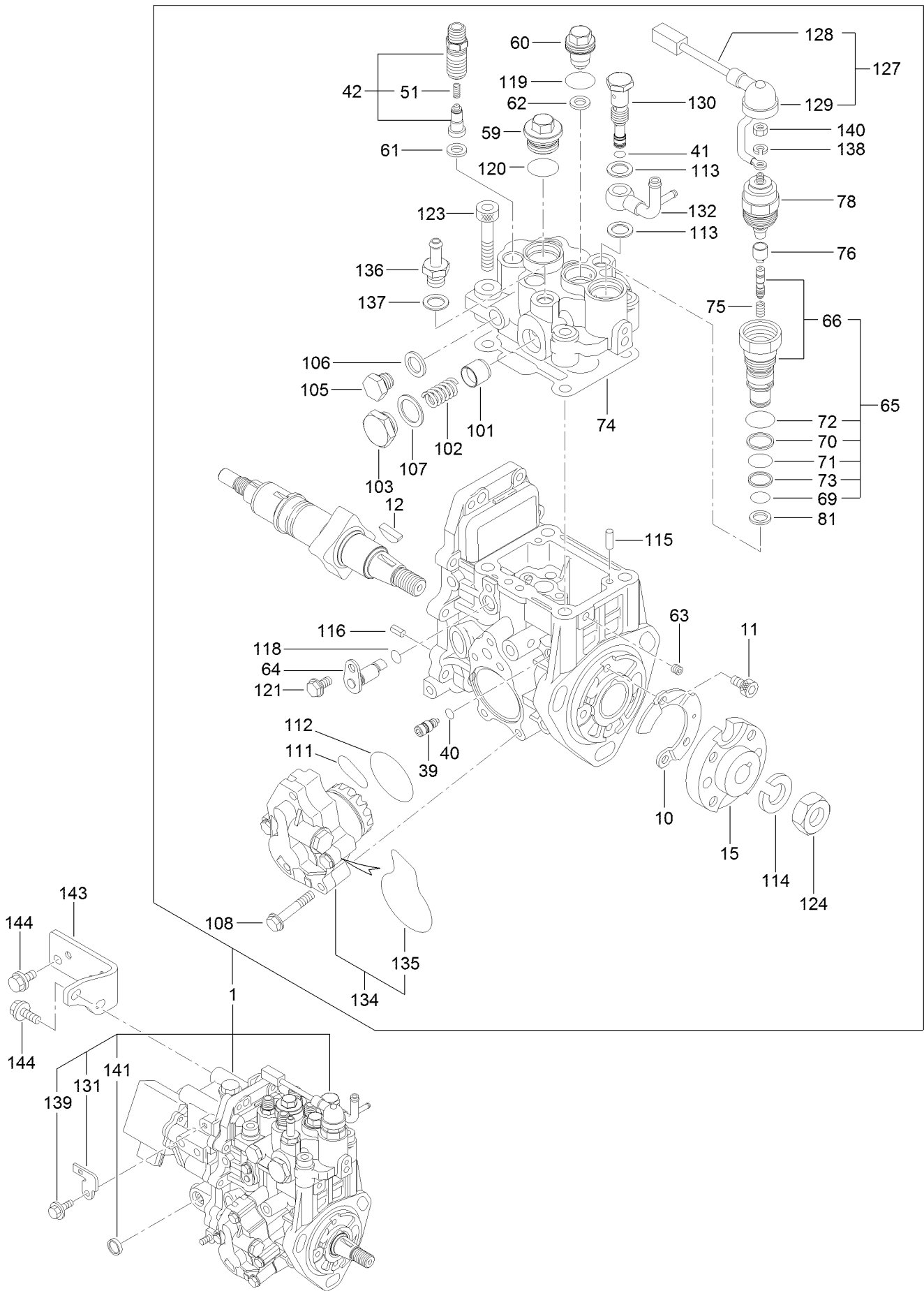
Cylinder Head and Cover Assembly



Cylinder Head and Cover Assembly (continued)

<i>Ref.</i>	<i>Part Number</i>	<i>Qty.</i>	<i>Description</i>	<i>Ref.</i>	<i>Part Number</i>	<i>Qty.</i>	<i>Description</i>
1	125-7055	1	Shaft ASM	43	93-0418	4	O-Ring
2	125-7056	1	Shaft	44	125-7215	3	Bolt
4	125-7057	2	Support	45	125-7220	7	Bolt
5	125-7058	3	Support	46	125-6972	1	Cover-Filler
6	125-7059	8	Washer	47	125-7099	1	Bonnet ASM
7	125-7061	4	Arm-Rocker	48	125-7050	1	Plate
8	125-7013	4	Screw-Adjust, Valve	49	125-6920	1	Baffle
10	125-7014	4	Nut	50	125-7012	1	Baffle
11	125-7062	4	Arm-Rocker	51	125-7118	1	Baffle-Breather
12	125-7013	4	Screw-Adjust, Valve	52	125-6959	1	Diaphragm
14	125-7014	4	Nut	53	125-6960	1	Plate
15	125-7593	1	Retainer	54	125-6961	1	Plate-Breather
16	125-7228	3	Stud	55	125-6962	1	Spring-Diaphragm
17	125-6963	8	Seat-Bridge, Valve	57	125-7060	1	Gasket
18	125-7089	1	Cylinder Head ASM	58	125-6982	1	Pipe
24	125-7196	4	Plug	59	125-6994	1	Spring
25	125-7240	2	Plug	60	125-6913	1	Plug
26	125-7051	8	Valve	61	125-7186	4	Screw
27	125-7052	8	Valve	62	125-7186	6	Screw
28	125-7053	16	Spring	63	125-7186	1	Screw
29	125-7054	16	Retainer	64	125-6974	3	Knob
30	125-6914	32	Cotter	65	93-0418	3	O-Ring
31	125-6915	8	Seal-Stem, Valve	66	125-7197	1	O-Ring
32	125-6916	8	Seal-Stem, Valve	67	125-7086	1	Joint
33	125-7104	8	Bridge ASM	68	125-7087	1	Hose ASM
35	125-7014	8	Nut	69	125-7088	1	Hose
36	125-6965	8	Adjuster	70	125-7040	2	Clip-Hose
37	125-7063	8	Guide	71	125-7090	1	Hose
38	125-6921	4	Protector	72	125-7190	2	Clamp-Hose
39	125-6911	4	Seat-Valve	73	125-7046	1	Lifter
40	125-7064	4	Retainer	74	125-7111	1	Lifter
41	125-7119	4	Bolt	75	125-7214	4	Bolt
42	125-7184	2	Pin-Spring	76	125-6917	16	Guide

Fuel Injection Pump Assembly

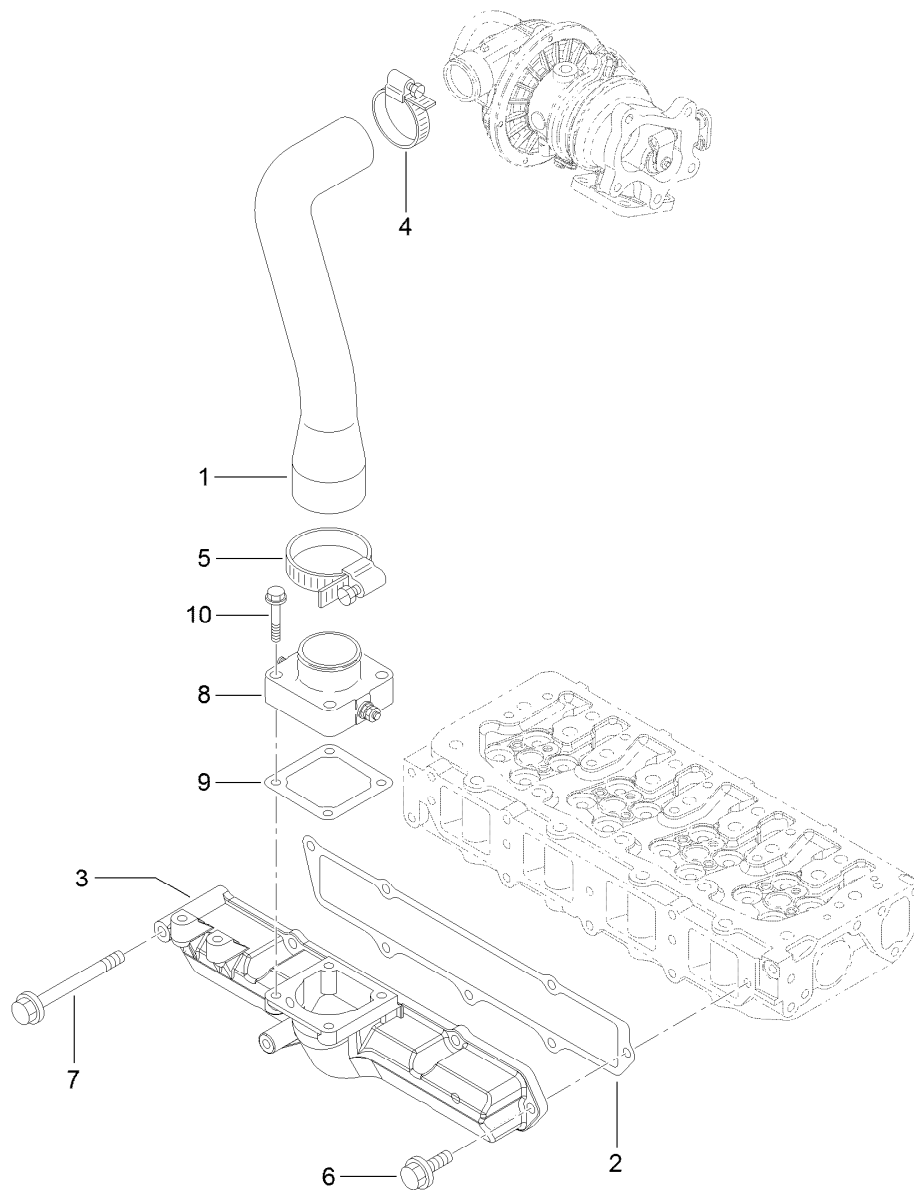


Fuel Injection Pump Assembly (continued)

<i>Ref.</i>	<i>Part Number</i>	<i>Qty.</i>	<i>Description</i>	<i>Ref.</i>	<i>Part Number</i>	<i>Qty.</i>	<i>Description</i>
1	125-7246	1	Fie ASM	106	125-7176	1	Washer-Seal
10	125-6991	1	Cover	107	125-7591	1	Washer-Seal
11	125-6992	2	Bolt	108	125-7147	4	Bolt
12	125-6932	1	Key	111	125-7142	1	O-Ring
15	125-7135	1	Flange	112	125-7143	1	O-Ring
39	125-7156	1	Stopper	113	125-7176	2	Washer-Seal
40	125-7154	1	O-Ring	114	125-7179	1	Washer-Spring
41	125-7154	1	O-Ring	115	125-7181	2	Pin-Parallel
42	125-7092	4	Valve ASM	116	125-7183	2	Pin-Spring
51	125-7155	4	Spring	118	93-0400	1	O-Ring
59	125-7157	1	Plug	119	125-7201	1	O-Ring
60	125-6933	1	Plug	120	125-7202	1	O-Ring
61	125-7136	4	Gasket	121	125-7205	1	Bolt
62	125-7136	1	Gasket	123	125-7233	4	Bolt
63	125-7151	1	Plug	124	125-7236	1	Nut
64	125-7137	1	Lifter	127	125-7125	1	Harness ASM
65	125-7102	1	Timer Set	128	125-7126	1	Harness
66	125-7103	1	Timer ASM	129	125-7033	1	Cap
69	125-7145	1	O-Ring	130	125-7158	1	Joint
70	125-6934	1	Ring	131	125-7127	1	Bracket
71	125-6935	1	O-Ring	132	125-7139	1	Joint
72	125-7202	1	O-Ring	134	125-7141	1	Feed Pump ASM
73	125-7203	1	Ring-Back Up	135	125-7144	1	O-Ring
74	125-7138	1	Gasket	136	125-6945	1	Joint
75	125-6940	1	Spring	137	125-7176	1	Washer-Seal
76	125-6941	1	Cap	138	125-7178	1	Washer-Spring
78	125-6942	1	Solenoid Valve ASM	139	125-7207	1	Bolt
81	125-7146	1	Gasket	140	125-7235	1	Nut
101	125-7159	1	Piston	141	125-7238	1	Plug
102	125-7140	1	Spring	143	125-7032	1	Retainer
103	125-7160	1	Plug	144	125-7214	4	Bolt
105	125-7148	1	Plug				

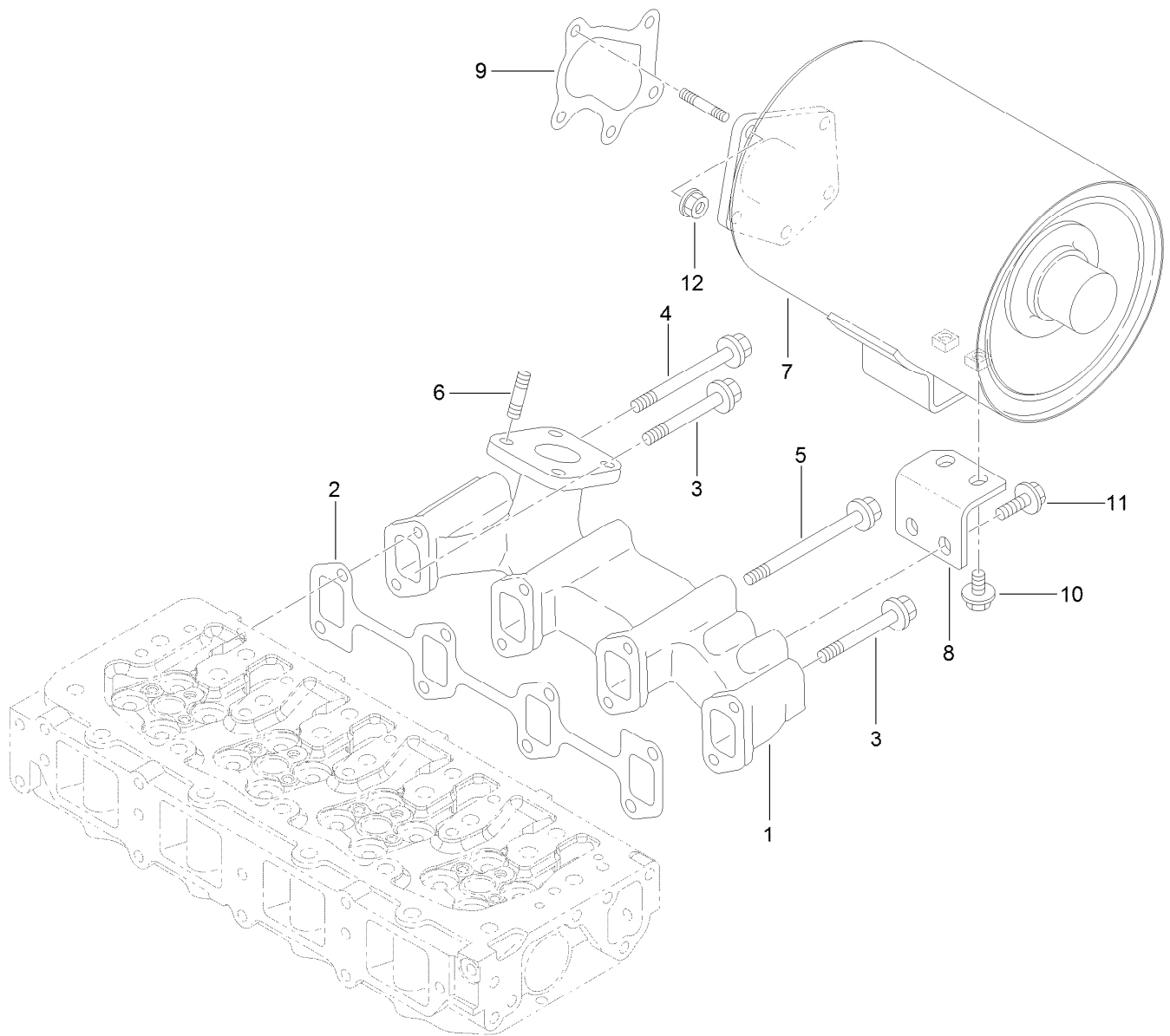
Fuel Injection Valve Assembly (continued)

<i>Ref.</i>	<i>Part Number</i>	<i>Qty.</i>	<i>Description</i>	<i>Ref.</i>	<i>Part Number</i>	<i>Qty.</i>	<i>Description</i>
1	125-7245	4	Injection Valve ASM	50	125-7082	1	Injection Pipe ASM
2	125-7133	4	Nozzle ASM	51	125-7083	1	Injection Pipe ASM
5	125-6901	4	Nut	52	125-7084	1	Injection Pipe ASM
6	125-7080	4	Holder ASM	53	125-7085	1	Injection Pipe ASM
9	125-6902	4	Spring	54	125-6948	1	Pipe ASM
10	125-6903	4	Seat-Spring	55	125-6949	1	Pipe
11	125-6904	4	Plate	56	125-6970	2	Clip
12	125-6905	8	Pin	57	125-6966	5	Bolt-Joint, Pipe
13	125-6939	4	Shim Set	58	125-7081	1	Pipe ASM
40	125-6964	4	Seal	59	125-6967	5	Gasket
41	125-6907	2	Retainer	60	125-6968	1	Joint
44	125-7027	2	Bolt	61	125-7174	1	Washer-Seal
45	125-7097	1	Retainer	62	125-6900	1	Label-Caution, Fuel Oil
48	125-7027	2	Bolt				



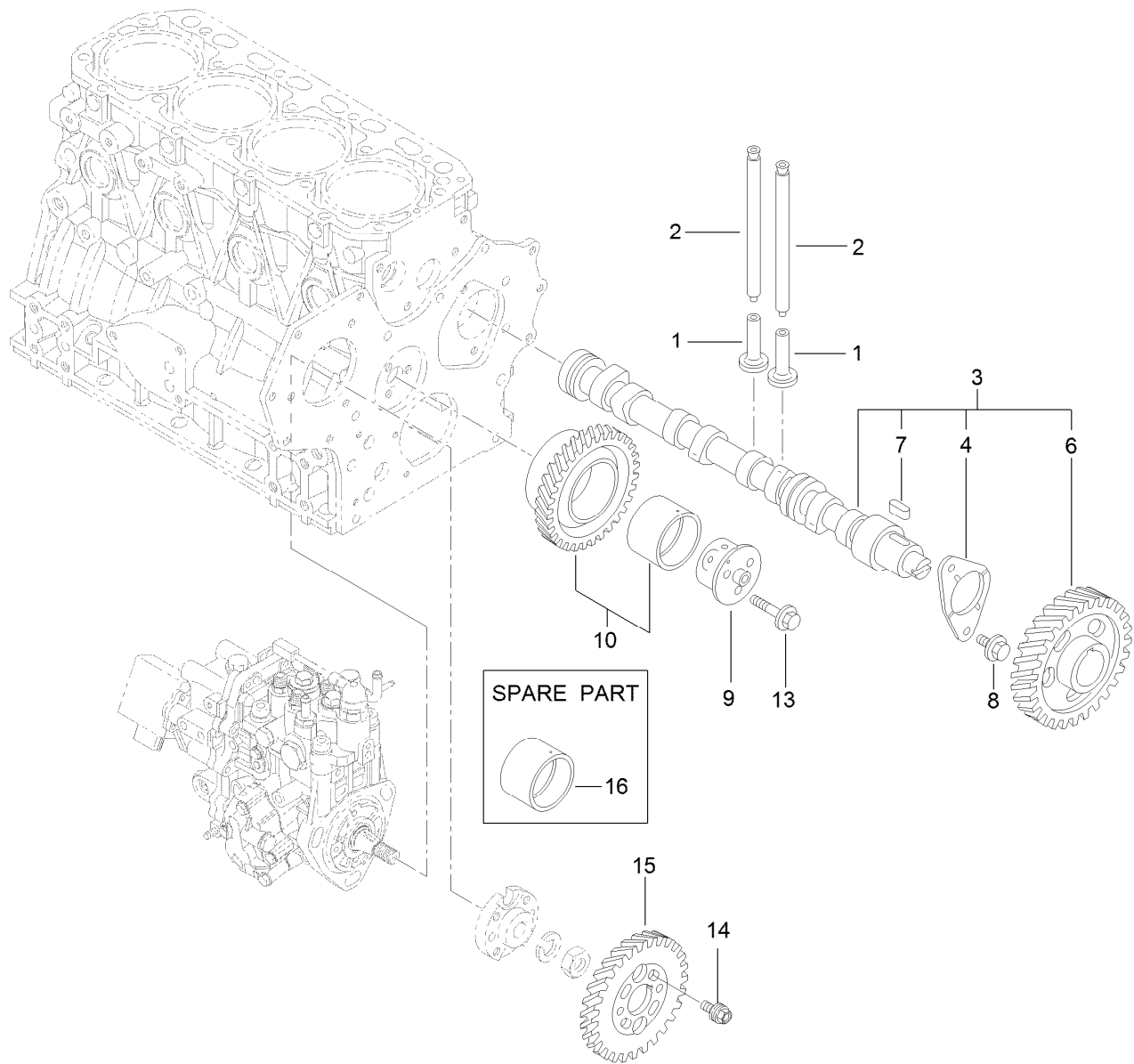
Suction Manifold Assembly

<i>Ref.</i>	<i>Part Number</i>	<i>Qty.</i>	<i>Description</i>
1	125-7065	1	Pipe
2	125-7066	1	Gasket
3	125-7067	1	Manifold-Intake
4	125-7189	1	Clamp-Hose
5	125-7190	1	Clamp-Hose
6	125-7595	6	Bolt
7	125-7223	1	Bolt
8	125-7002	1	Heater
9	125-7028	1	Gasket
10	125-7217	4	Bolt



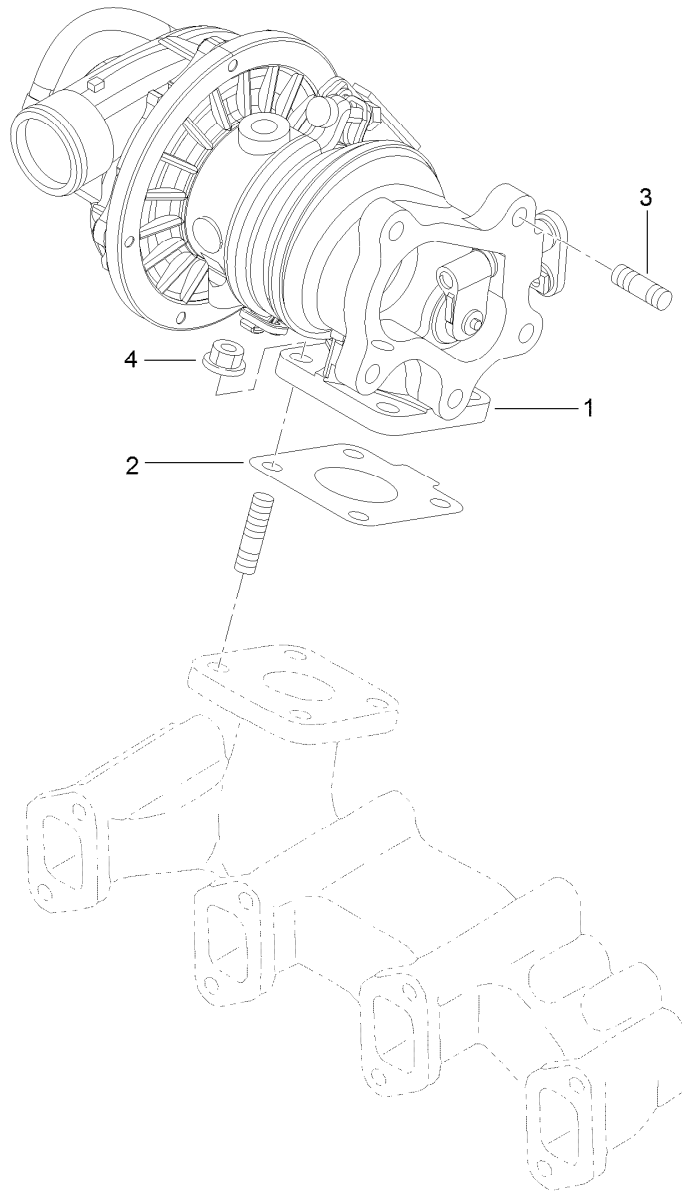
Exhaust Manifold and Silencer Assembly

<i>Ref.</i>	<i>Part Number</i>	<i>Qty.</i>	<i>Description</i>
1	125-7093	1	Manifold-Exhaust
2	125-7096	1	Gasket
3	125-6922	3	Bolt
4	125-6923	1	Bolt
5	125-6924	4	Bolt
6	125-6906	4	Stud
7	125-7094	1	Silencer
8	125-7095	1	Support-Silencer
9	125-7071	1	Gasket
10	125-7213	2	Bolt
11	125-7595	2	Bolt
12	125-7229	5	Nut



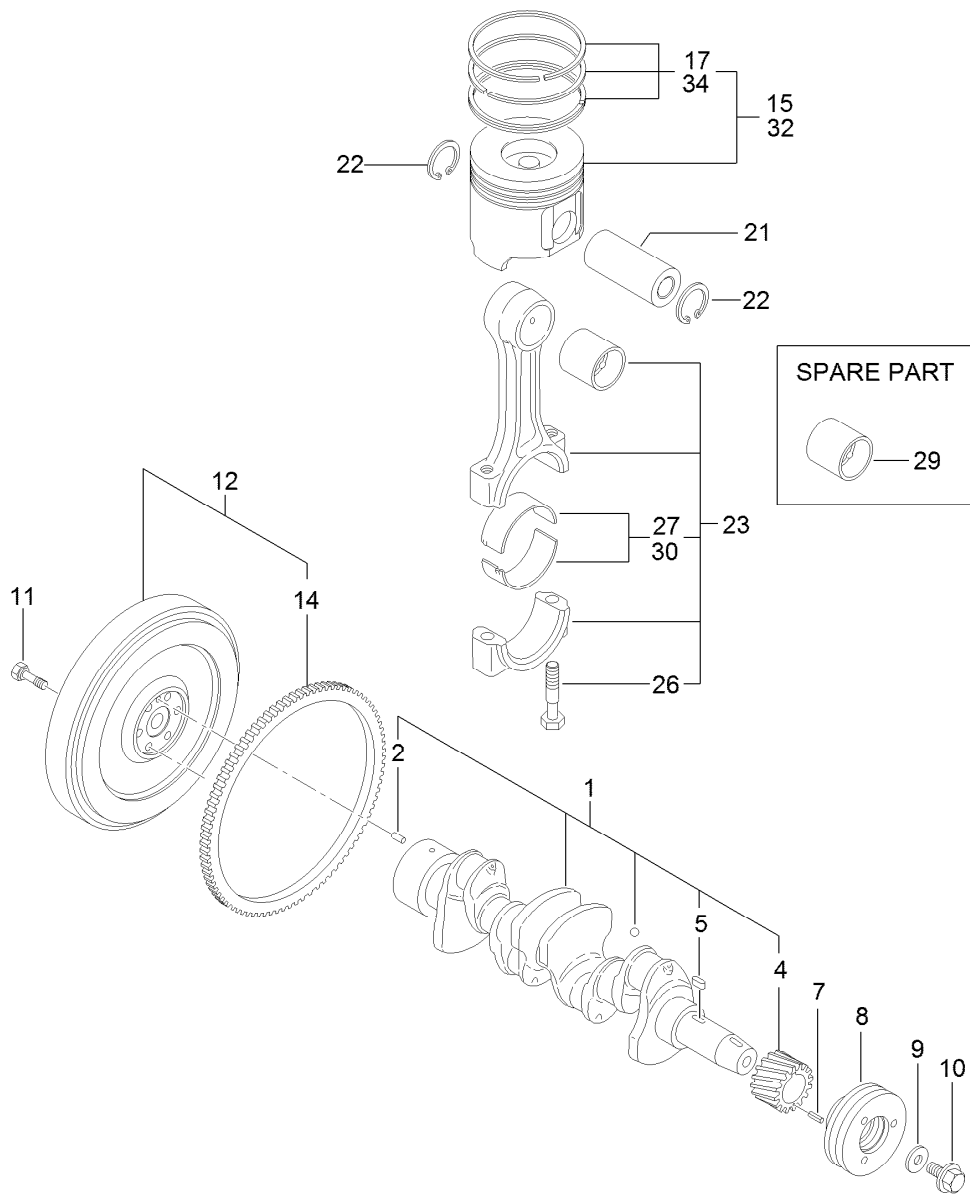
Camshaft and Driving Gear Assembly

Ref.	Part Number	Qty.	Description
1	125-7016	8	Tappet
2	125-7017	8	Rod-Push
3	125-7068	1	Camshaft ASM
4	125-7008	1	Metal-Thrust
6	125-7015	1	Gear
7	125-7185	1	Key
8	125-7213	2	Bolt
9	125-6938	1	Shaft
10	125-6928	1	Gear ASM
13	125-7218	3	Bolt
14	125-7020	4	Bolt
15	125-6929	1	Gear
16	125-6927	1	Bushing



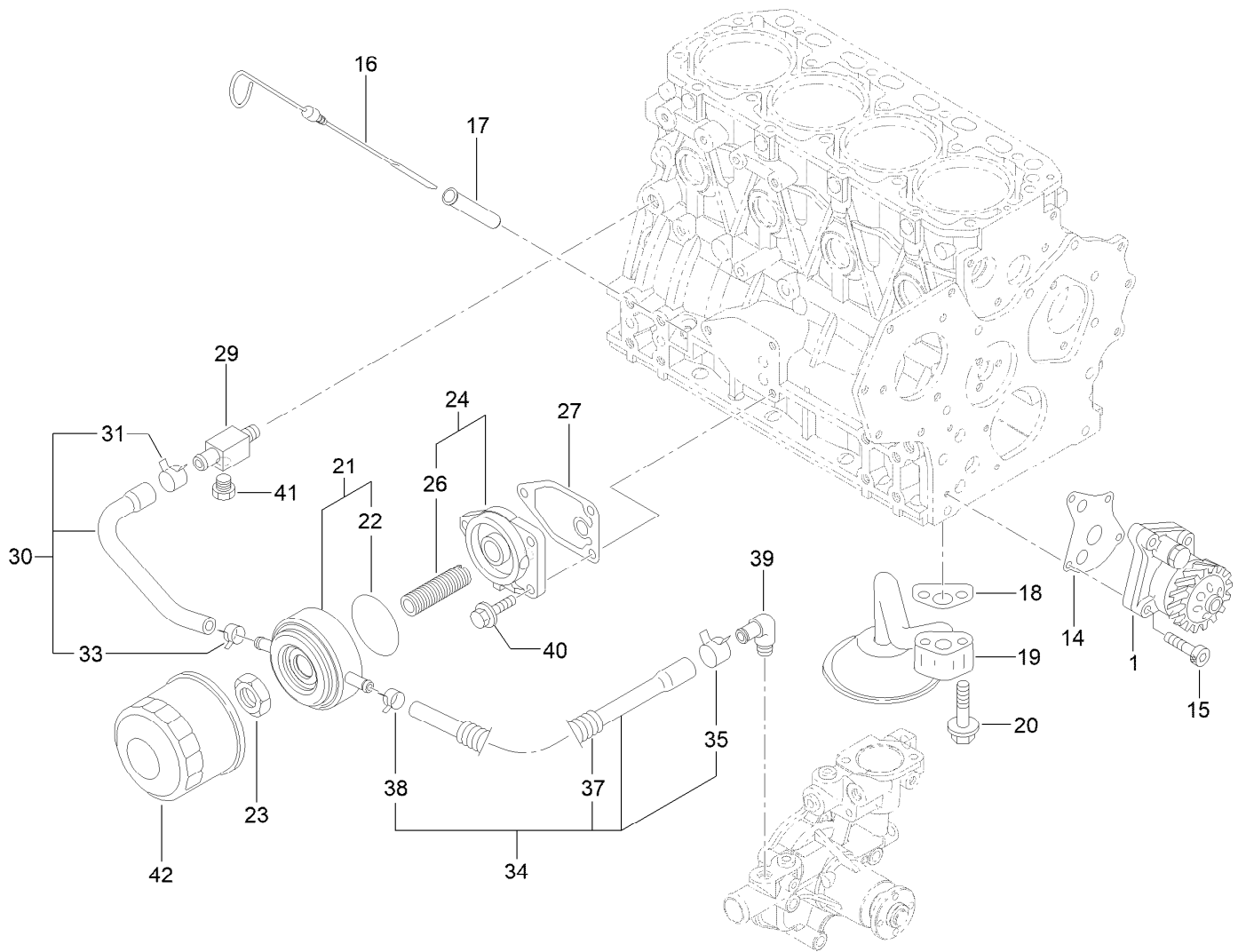
Turbine Assembly

<i>Ref.</i>	<i>Part Number</i>	<i>Qty.</i>	<i>Description</i>
1	125-7069	1	Turbine
2	125-7070	1	Gasket
3	125-7043	5	Stud
4	125-7229	4	Nut



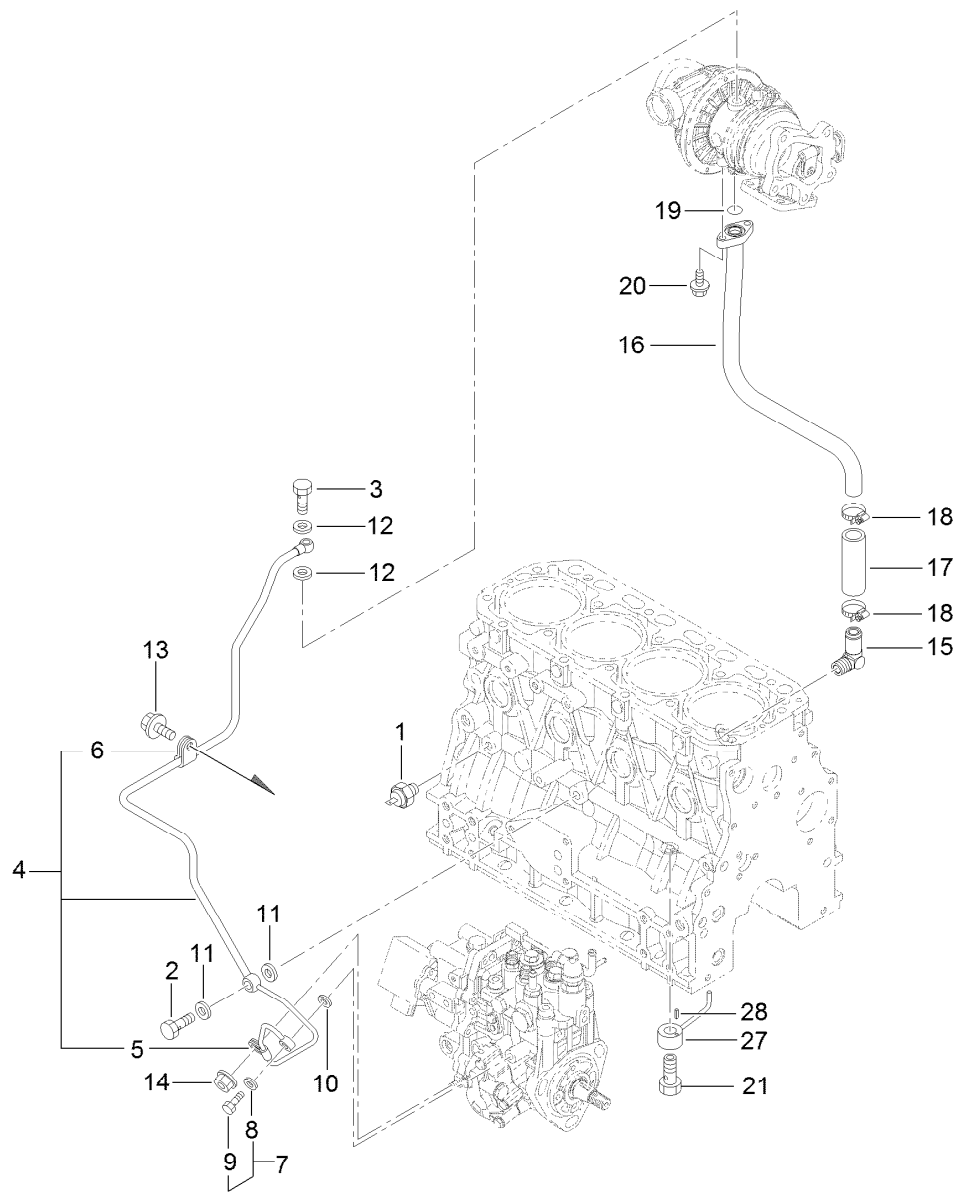
Crankshaft and Piston Assembly

<i>Ref.</i>	<i>Part Number</i>	<i>Qty.</i>	<i>Description</i>	<i>Ref.</i>	<i>Part Number</i>	<i>Qty.</i>	<i>Description</i>
1	125-7091	1	Crankshaft ASM	15	125-7072	4	Piston ASM
2	125-6995	1	Pin	17	125-6983	4	Piston Ring Set
4	125-6937	1	Gear	21	125-7030	4	Pin
5	125-7185	1	Key	22	125-7180	8	Ring
7	125-7182	1	Pin-Spring	23	125-7242	4	Connecting Rod ASM
8	125-6925	1	V-Pulley	26	125-6955	8	Bolt
9	125-7109	1	Washer	27	125-7018	4	Pin-Crank
10	125-6956	1	Bolt	29	125-6997	4	Pin-Piston
11	125-6951	6	Bolt	30	125-7019	4	Pin-Crank (.25)
12	125-7172	1	Flywheel ASM	32	125-7073	4	Piston ASM (0.25 Os)
14	125-6943	1	Gear	34	125-6985	4	Piston Ring Set (.25)



Lubrication and Oil System Assembly

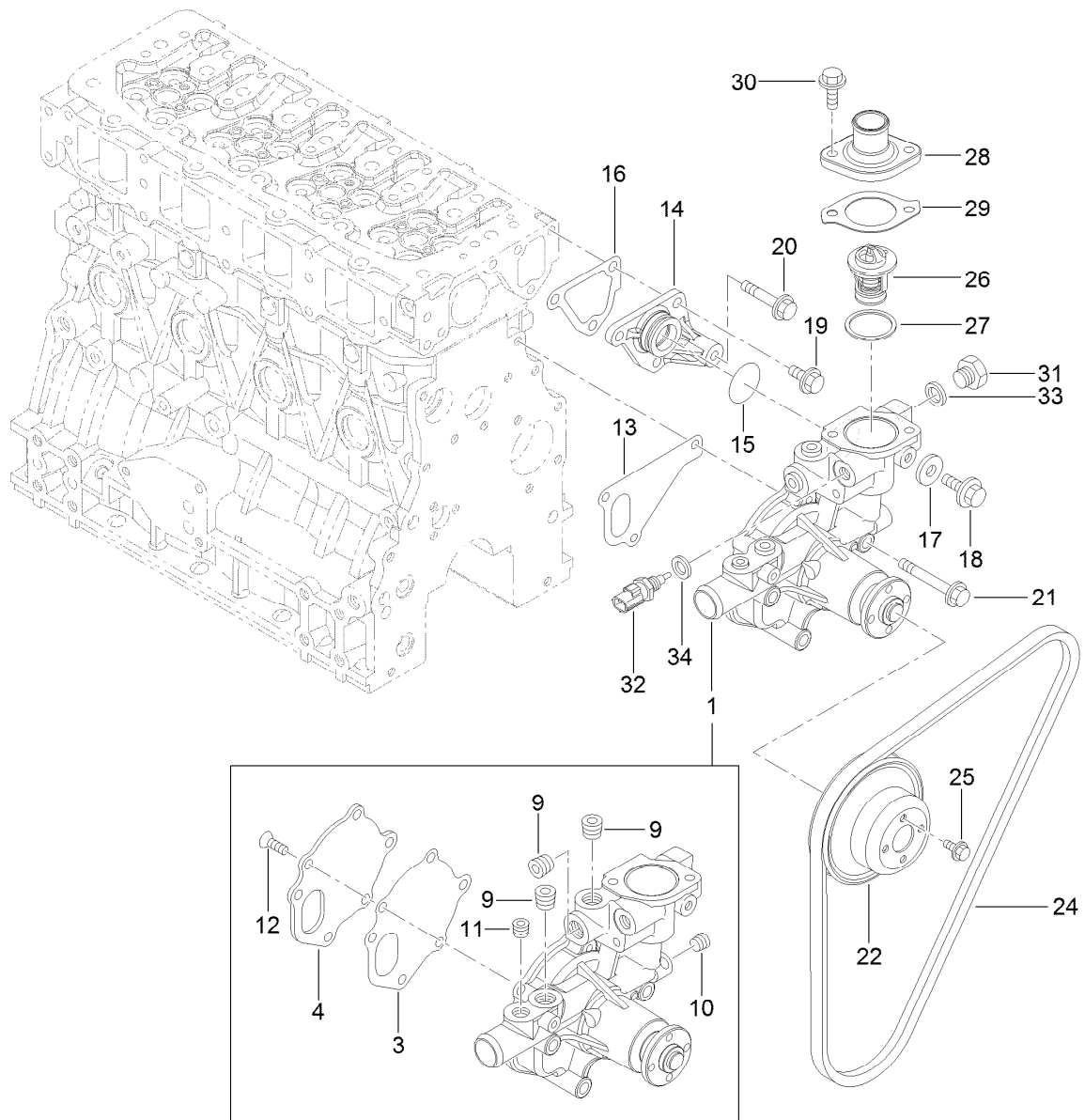
<i>Ref.</i>	<i>Part Number</i>	<i>Qty.</i>	<i>Description</i>	<i>Ref.</i>	<i>Part Number</i>	<i>Qty.</i>	<i>Description</i>
1	125-7044	1	Oil Pump ASM	27	125-7024	1	Gasket
14	125-7021	1	Gasket	29	125-6990	1	Joint
15	125-7232	4	Bolt	30	125-7078	1	Pipe ASM
16	125-6987	1	Dipstick	31	125-7162	1	Clip
17	125-6954	1	Guide-Dipstick	33	125-7191	1	Clamp-Hose
18	125-7022	1	Gasket	34	125-7079	1	Pipe ASM
19	125-7023	1	Pipe ASM	35	125-7162	1	Clip
20	125-7217	2	Bolt	37	125-6946	1	Tube
21	125-7074	1	Cooler ASM	38	125-7191	1	Clamp-Hose
22	125-7075	1	O-Ring	39	125-7001	1	Elbow
23	125-7041	1	Nut-Cooler, Oil	40	125-7595	3	Bolt
24	125-6989	1	Bracket ASM	41	125-7171	1	Plug-Drain
26	125-7042	1	Stud	42	125-7025	1	Filter-Engine, Oil



Lubrication Oil Line Assembly

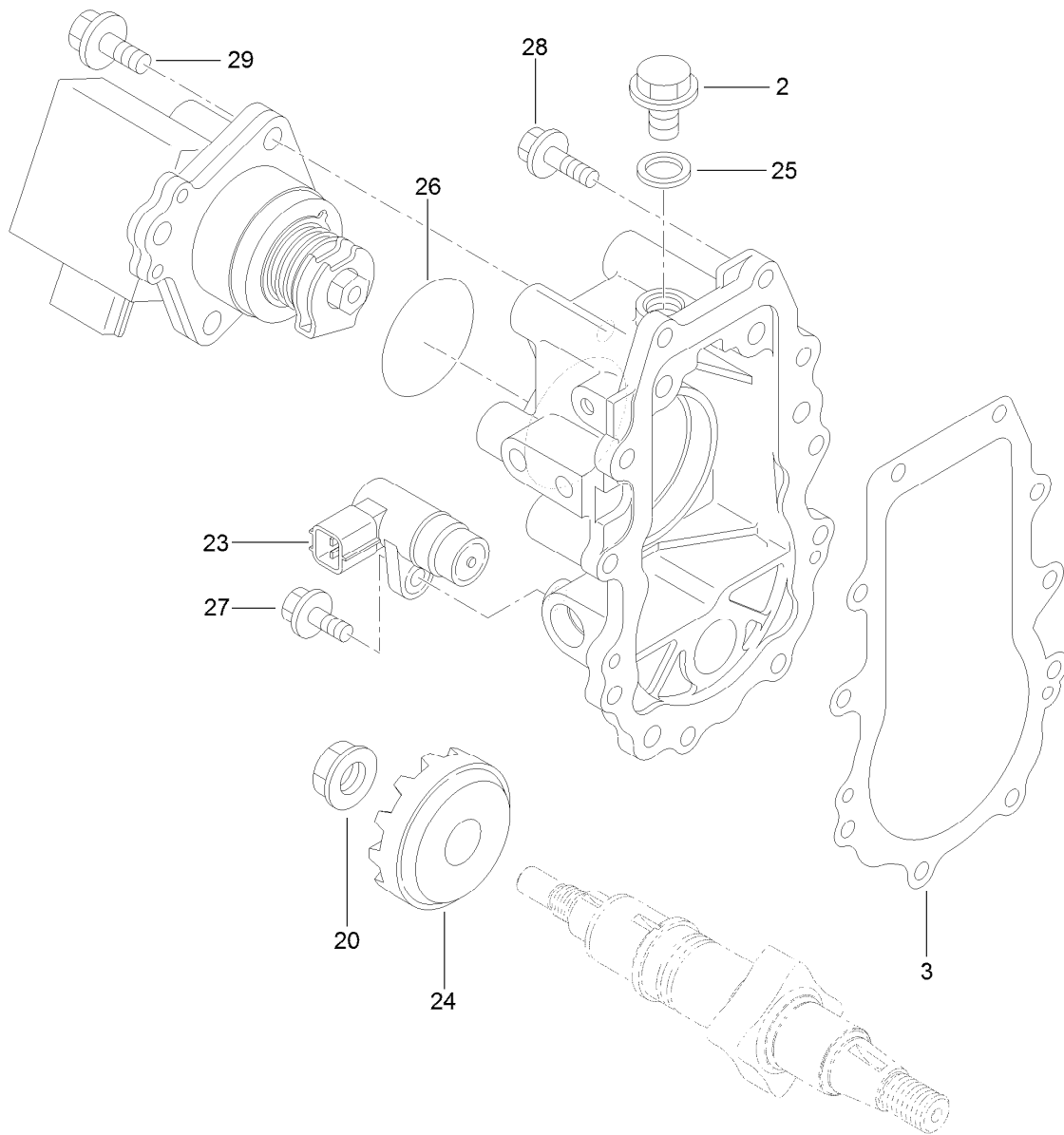
Ref.	Part Number	Qty.	Description
1	125-6918	1	Switch-Oil
2	125-6975	1	Bolt-Joint, Pipe
3	125-6952	1	Bolt-Joint, Pipe
4	125-7076	1	Pipe ASM
5	125-6931	1	Retainer
6	125-6976	1	Retainer
7	125-6988	1	Joint Bolt ASM
8	125-7174	1	Washer-Seal
9	125-7194	1	Bolt-Joint
10	125-7174	1	Washer-Seal
11	125-7175	2	Washer-Seal
12	125-7193	2	Gasket

Ref.	Part Number	Qty.	Description
13	125-7212	1	Bolt
14	125-7231	1	Nut
15	125-6971	1	Elbow
16	125-7077	1	Pipe
17	125-6958	1	Hose
18	125-7188	2	Clamp-Hose
19	125-7198	1	O-Ring
20	125-7208	2	Bolt
21	125-7105	4	Check Valve ASM
27	125-7098	4	Nozzle
28	125-7182	4	Pin-Spring



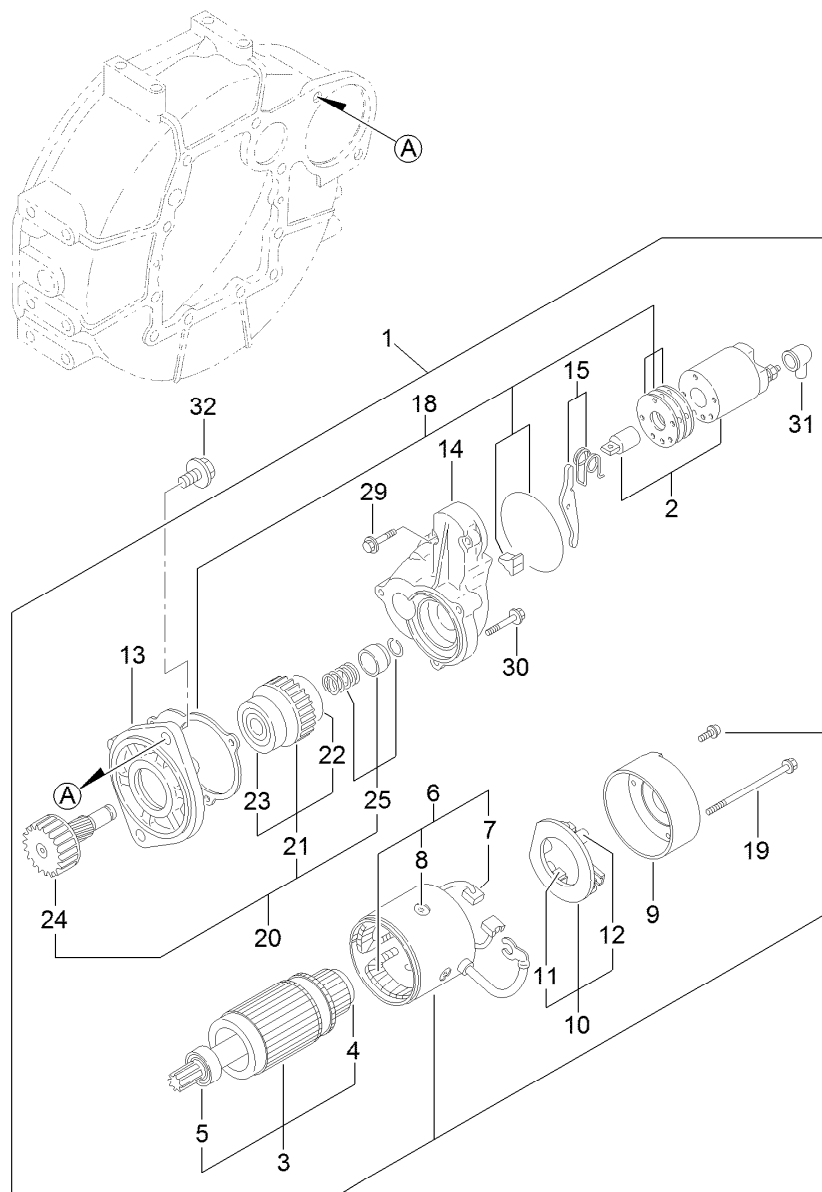
Cooling Water System Assembly

<i>Ref.</i>	<i>Part Number</i>	<i>Qty.</i>	<i>Description</i>	<i>Ref.</i>	<i>Part Number</i>	<i>Qty.</i>	<i>Description</i>
1	125-7031	1	CW Pump ASM	20	125-7219	1	Bolt
3	125-6998	1	Gasket	21	125-7222	3	Bolt
4	125-6999	1	Plate	22	125-7039	1	V-Pulley
9	125-7123	3	Plug	24	125-7204	1	V-Belt
10	125-7195	1	Plug	25	125-7206	4	Bolt
11	125-7196	1	Plug	26	125-7029	1	Thermostat
12	125-7234	3	Screw	27	125-7026	1	Gasket
13	125-7047	1	Gasket	28	125-7034	1	Cover
14	125-6986	1	Joint	29	125-7110	1	Gasket
15	125-7048	1	O-Ring	30	125-7594	2	Bolt
16	125-6978	1	Gasket	31	125-6953	1	Plug
17	125-7192	1	Gasket	32	125-7124	1	Sensor-Thermostat, CW
18	125-7212	1	Bolt	33	125-6979	1	Gasket
19	125-7214	3	Bolt	34	125-7176	1	Washer-Seal



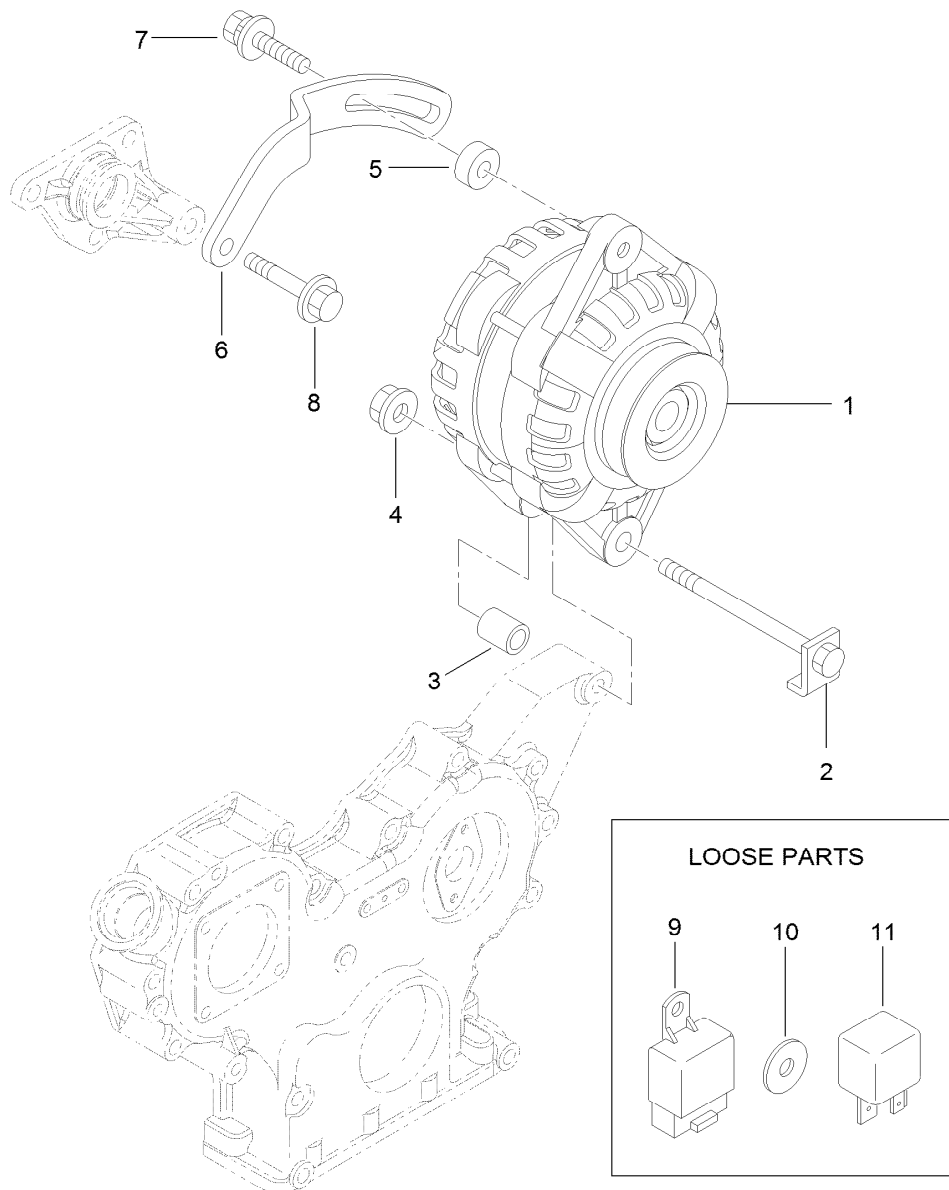
Governor Assembly

Ref.	Part Number	Qty.	Description
2	125-7148	1	Plug
3	125-7149	1	Gasket
20	125-6993	1	Nut
23	125-7152	1	Sensor
24	125-7150	1	Gear
25	125-7176	1	Washer-Seal
26	125-7200	1	O-Ring
27	125-7208	1	Bolt
28	125-7209	10	Bolt
29	125-7215	3	Bolt



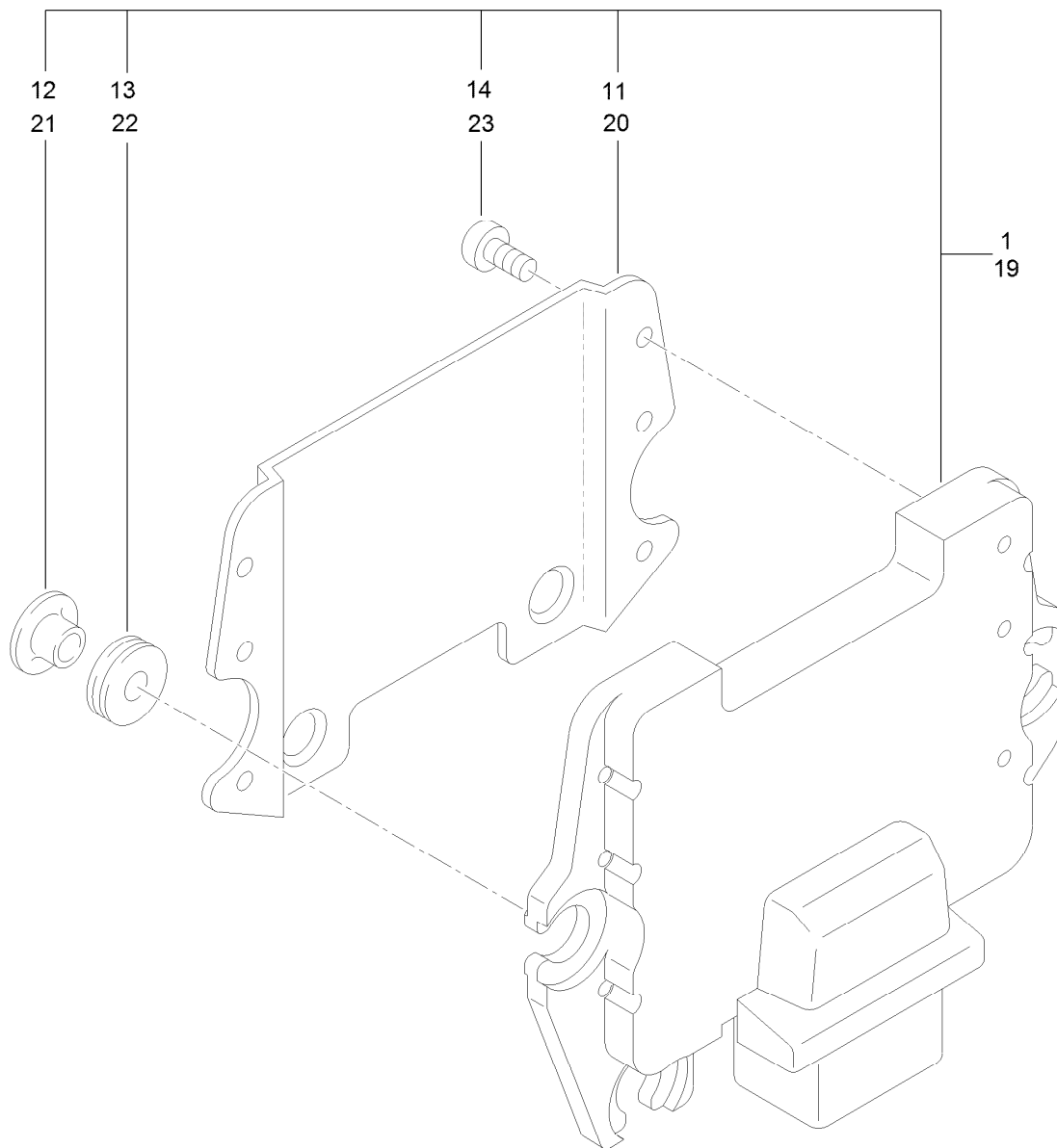
Starting Motor Assembly

<i>Ref.</i>	<i>Part Number</i>	<i>Qty.</i>	<i>Description</i>	<i>Ref.</i>	<i>Part Number</i>	<i>Qty.</i>	<i>Description</i>
1	125-7003	1	Starter	15	125-7165	1	Lever Set
2	125-7004	1	Switch ASM	18	125-7037	1	Dust Cover ASM
3	125-7112	1	Armature ASM	19	125-7117	2	Bolt-Through
4	125-7252	1	Bearing-Ball	20	125-7166	1	Pinion ASM
5	125-7249	1	Bearing, Ball	21	125-7250	1	Clutch ASM
6	125-7113	1	Field Coil ASM	22	125-7251	1	Bearing-Ball
7	125-7114	2	Brush	23	125-7253	1	Bearing-Ball
8	125-7163	4	Screw	24	125-7167	1	Shaft
9	125-7115	1	Cover	25	125-7168	1	Stopper Set
10	125-7116	1	Brush Holder ASM	29	125-7210	2	Bolt
11	125-7114	2	Brush	30	125-7211	3	Bolt
12	125-7036	4	Spring	31	125-7169	1	Cover
13	125-7164	1	Case-Gear	32	125-7225	2	Bolt
14	125-7005	1	Housing				



Generator Assembly

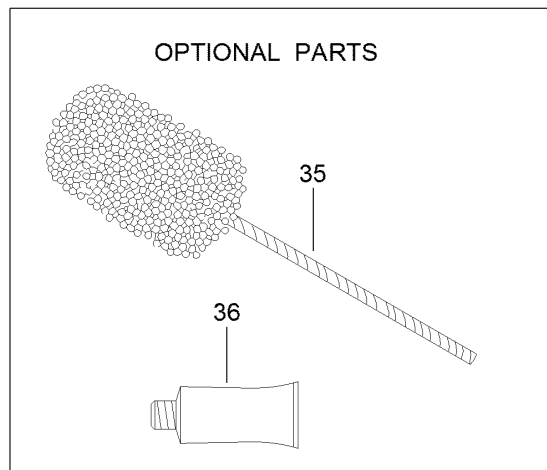
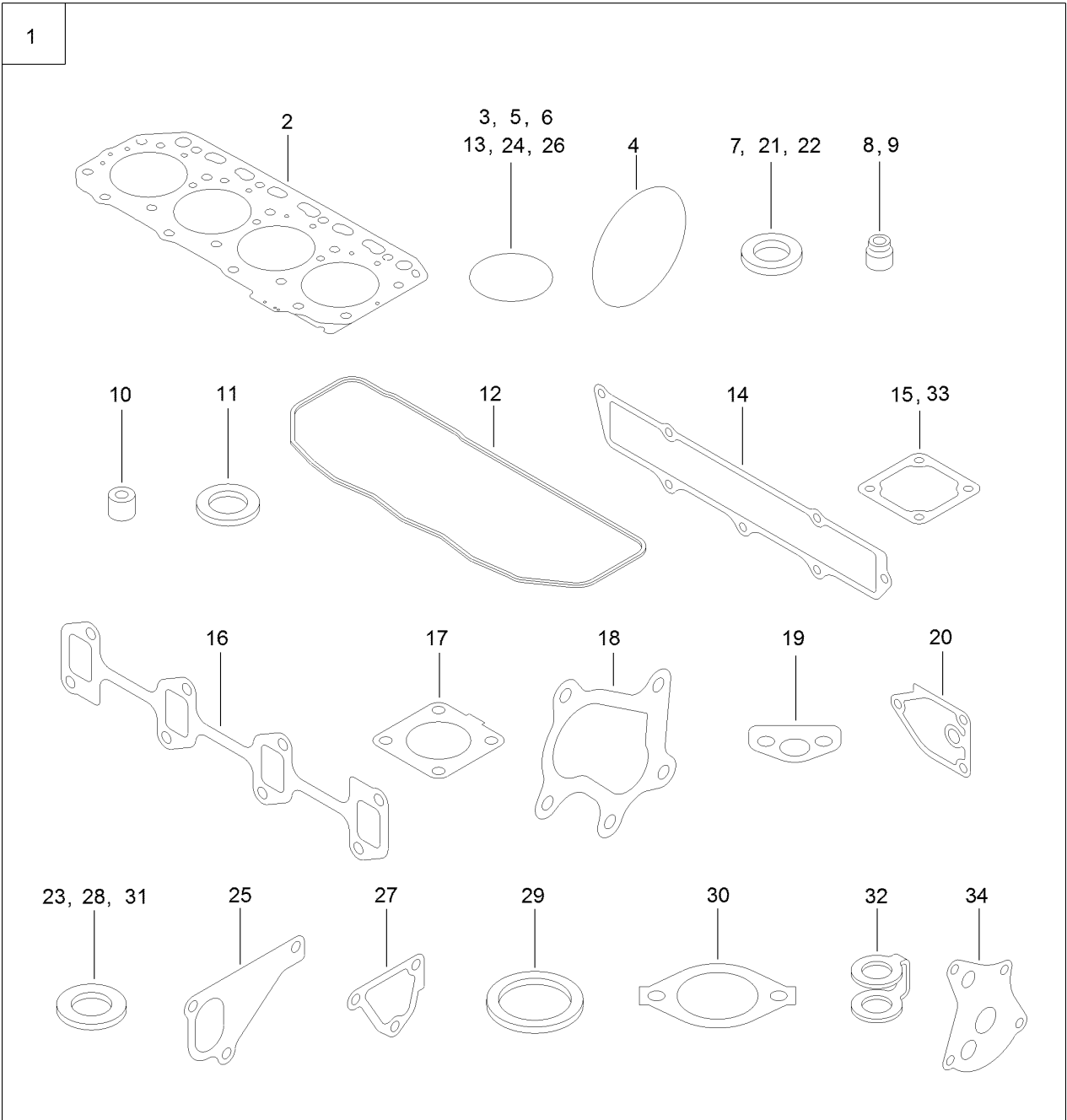
<i>Ref.</i>	<i>Part Number</i>	<i>Qty.</i>	<i>Description</i>
1	125-7120	1	Alternator-12V
2	125-7121	1	Bolt-Stopper
3	125-7122	1	Piece-Distance
4	125-7230	1	Nut
5	125-6947	1	Spacer
6	125-7101	1	Adjuster-Belt
7	125-7134	1	Bolt
8	125-7219	1	Bolt
9	125-7173	2	Relay
10	125-7131	3	Washer
11	125-7132	2	Relay



Electronic Control Unit Assembly

Ref.	Part Number	Qty.	Description
1	135-4281	1	Ecu
11	125-7129	1	Shield
12	125-7130	3	Collar
13	125-6908	3	Absorber
14	125-7187	6	Screw
19	125-7128	1	Ecu
20	125-7129	1	Shield
21	125-7130	3	Collar
22	125-6908	3	Absorber
23	125-7187	6	Screw

Gasket Set



Gasket Set (continued)

<i>Ref.</i>	<i>Part Number</i>	<i>Qty.</i>	<i>Description</i>	<i>Ref.</i>	<i>Part Number</i>	<i>Qty.</i>	<i>Description</i>
1	125-7243	1	Gasket Set	19	125-7022	1	Gasket
2	125-7049	1	Gasket-Head	20	125-7024	1	Gasket
3	125-6909	2	O-Ring	21	125-7174	7	Washer-Seal
4	125-6957	1	O-Ring	22	125-7175	2	Washer-Seal
5	125-7197	2	O-Ring	23	125-7193	2	Gasket
6	125-7199	1	O-Ring	24	125-7198	1	O-Ring
7	125-7177	1	Washer-Seal	25	125-7047	1	Gasket
8	125-6915	8	Seal-Stem, Valve	26	125-7048	1	O-Ring
9	125-6916	8	Seal-Stem, Valve	27	125-6978	1	Gasket
10	125-6921	4	Protector	28	125-7192	1	Gasket
11	125-6911	4	Seat-Valve	29	125-7026	1	Gasket
12	125-7060	1	Gasket	30	125-7110	1	Gasket
13	93-0418	7	O-Ring	31	125-6979	2	Gasket
14	125-7066	1	Gasket	32	125-6967	5	Gasket
15	125-7028	1	Gasket	33	125-7000	1	Gasket
16	125-7096	1	Gasket	34	125-7021	1	Gasket
17	125-7070	1	Gasket	35	125-7038	1	Hone
18	125-7071	1	Gasket	36	125-7248	1	Gasket-Liquid

Attachments and Accessories

For 30899 — Groundsmaster 4700-D Rotary Mower

Product Name	Model/Part
27in Rotary Cutting Unit.....	30834
Leaf Mulching Kit.....	30836
Blade-Atomic.....	107-0235-03
Blade-27in Combo.....	108-9026
Blade-Angle Sail.....	105-9810-03
Blade-High Lift.....	104-5183
1000 Hour Mvp Kit-Tier IV.....	44967
27in Blade Service Pack (qty 7).....	108-1464
3in Dia, 27in Sectional Roller Assembly.....	137-6145
Premium All Purpose Grease (Tube).....	108-1190
Deck Cover.....	111-4525
TV Kit - German Vehicle Serial Plate.....	02983
Deck Lock Kit, Groundsmaster 4500-D/4700-D Traction Unit.....	119-8641
Roller Asm (UHMW).....	131-7800
Ballast Kit (27in C/U).....	136-2881
Roller Scraper Kit.....	104-5168
Road Light Kit, Groundsmaster 4500-D or 4700-D Traction Unit.....	30670
Cab Kit.....	30901
4wd Flow Divider Kit, Gm45/4700-f20 U.....	31529
Semi-Gloss Black Spray Paint.....	361-9
Dark Metallic Gray Aerosol Paint.....	361-12
MVP Filter Kit.....	30089
New Red Paint - Gallon.....	361-11
White Universal Sunshade.....	30669
Air Dry Red Paint - Qt.....	5340
PX Hydraulic Fluid (55 Gal).....	133-8087
Red Universal Sunshade.....	30671
Switch Panel-Universal Sunshade.....	03248
PX Hydraulic Fluid (5 Gal).....	133-8086
Operator Cooling Fan.....	03247
Work Lights Kit, Groundsmaster and Reelmaster Traction Units with Universal Sunshade.....	140-1554
Beacon Kit.....	138-2699
Power Harness Kit (GM45XX/GM47XX/GM7XXX).....	138-2995
Operator Golf Ball Guard, Reelmaster 3100/3500/5010 or Groundsmaster 3500/4300 Series Traction Unit.....	03614
Large Seat Cover.....	131-6691
Adapter-ball Guard.....	137-1392
Reverse Tow Kit.....	136-3620

Notes:



Count on it.