



**Count on it.**

**Parts Catalog**

**Trans Pro 80  
Tow-Behind Trailer**

Model No. 04235



# Ordering Replacement Parts

To order replacement parts, please supply the part number, the quantity, and the description of each part desired.

## Understanding Reference Numbers

Each identified part in an illustration has a reference number. The reference number for a part also appears in the parts list, along with other information about the part.

This catalog uses two special reference number formats, one to indicate parts in a service assembly and another to indicate the quantity of a given part in an illustration.

## Service Assembly Reference Numbers

Parts in service assemblies have reference numbers in the form a:b. The a represents the reference number of the entire service assembly and the b represents a sequential number unique to each part within the service assembly.

For example, a wheel assembly might be identified by reference number 6, the tire by 6:1, the valve by 6:2, and the wheel by 6:3. When you order the assembly identified by reference number 6, you receive all parts identified by reference numbers 6:1, 6:2, and 6:3. However, you may also order any part individually. Reference numbers of this type appear in illustration and in parts lists.

## Reference Numbers Indicating Quantity

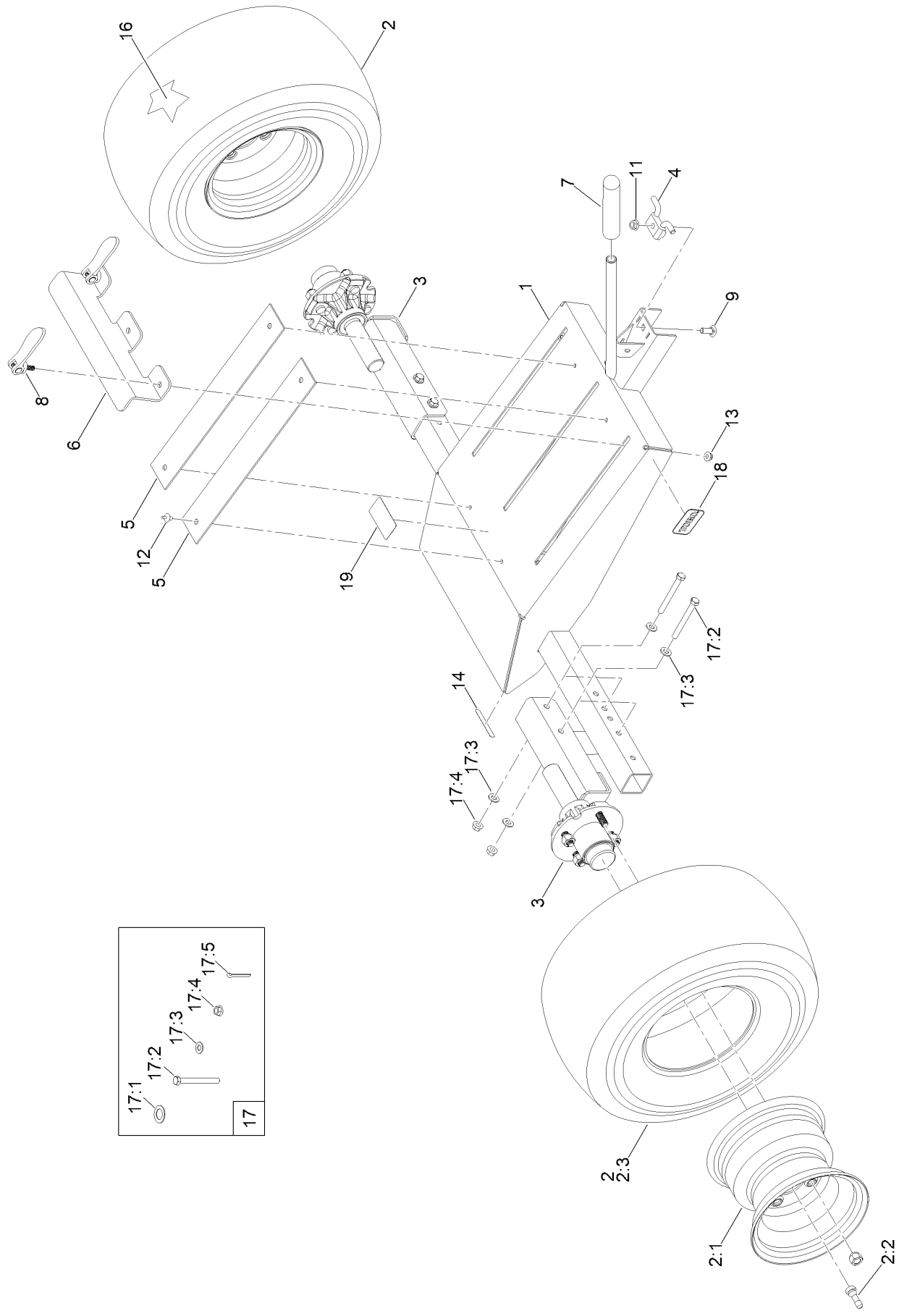
In an illustration, if a reference number indicates more than one part, the reference number has the form nX y. The n represents the quantity of the part, the X is the multiplication symbol, and the y represents the reference number.

For example, in an illustration, the reference number 2X 37 means that two of the parts identified by reference number 37 are indicated.

# Contents

Pull Frame and Tire Assembly ..... 4  
Hub and Axle Assembly No. 117-1458 ..... 6  
Tongue and Latch Assembly ..... 8  
Attachments and Accessories ..... 10

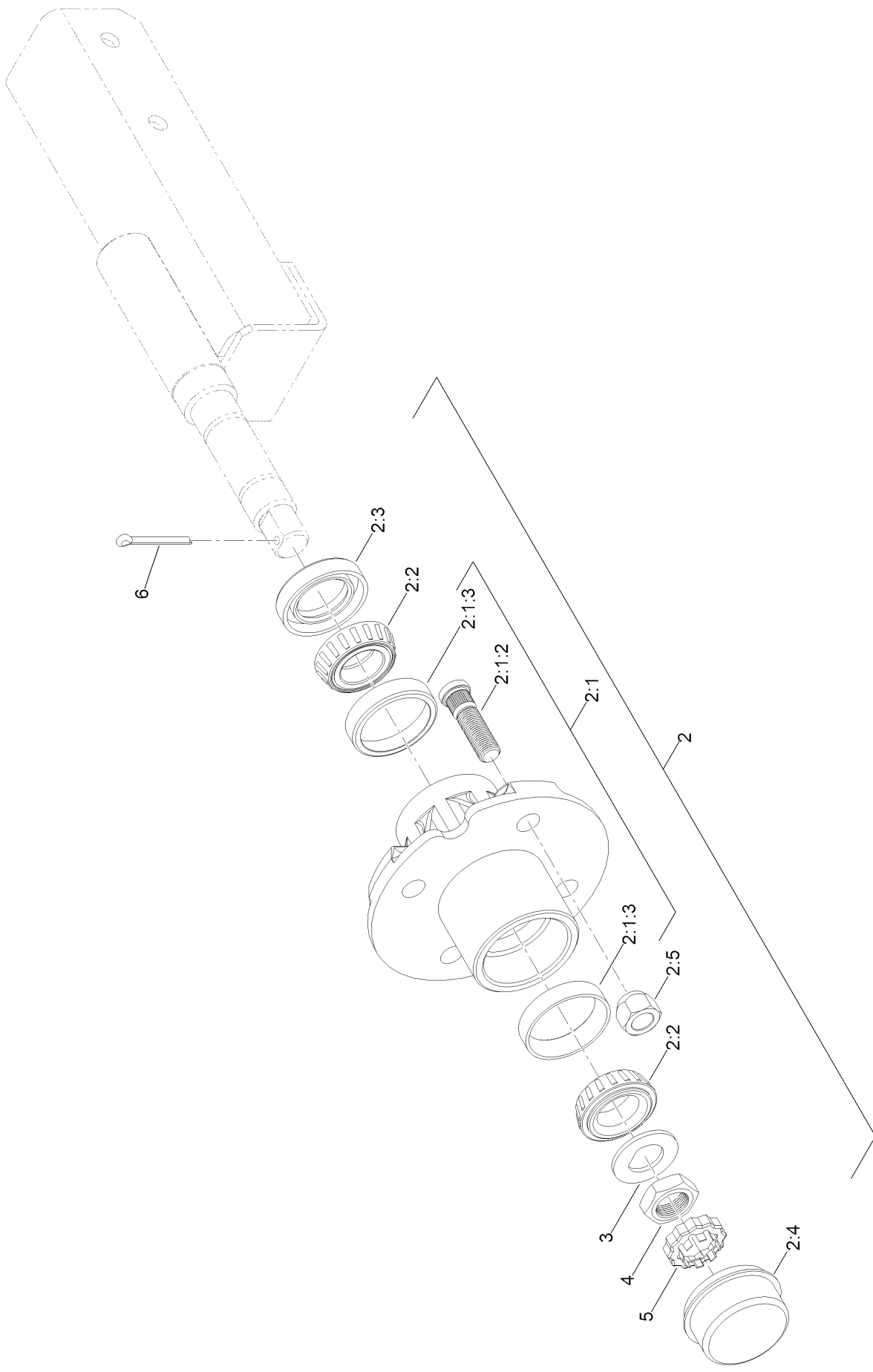
# Pull Frame and Tire Assembly



## Pull Frame and Tire Assembly (continued)

<i>Ref.</i>	<i>Part Number</i>	<i>Qty.</i>	<i>Description</i>	<i>Ref.</i>	<i>Part Number</i>	<i>Qty.</i>	<i>Description</i>
1	144-5728-01	1	Frame	12	144-5679	4	Rivet-Drive
2	144-3664	2	Wheel ASM	13	119-4041	2	Nut-HF
2:1	137-2597	1	Rim	14	133-8061	1	Decal-Warning
2:2	232-27	1	Stem-Valve	16	232-37	2	Tube
2:3	144-3665	1	Tire	17	161-7421	1	Trans Pro 80 Hardware Kit
3	117-1458	2	Hub And Axle ASM	17:1	67-9410	2	Washer
4	145-4590	1	Latch	17:2	323-15	4	Screw-HH
5	144-5733	2	Pad-Strip, Roller	17:3	3256-24	8	Washer-Plain
6	140-7570-03	1	Mount-Roller	17:4	32128-21	4	Nut-HF Lock
7	105-1904	1	Grip-Handle	17:5	3272-23	2	Pin-Cotter
8	161-7418	2	Latch-Cam Handle	18	125-8214	2	Decal-Toro Logo
9	3231-22	1	Screw-CARR	19	140-5281	1	Decal-Warning, No Riders
11	32128-21	1	Nut-HF Lock				

# Hub and Axle Assembly No. 117-1458

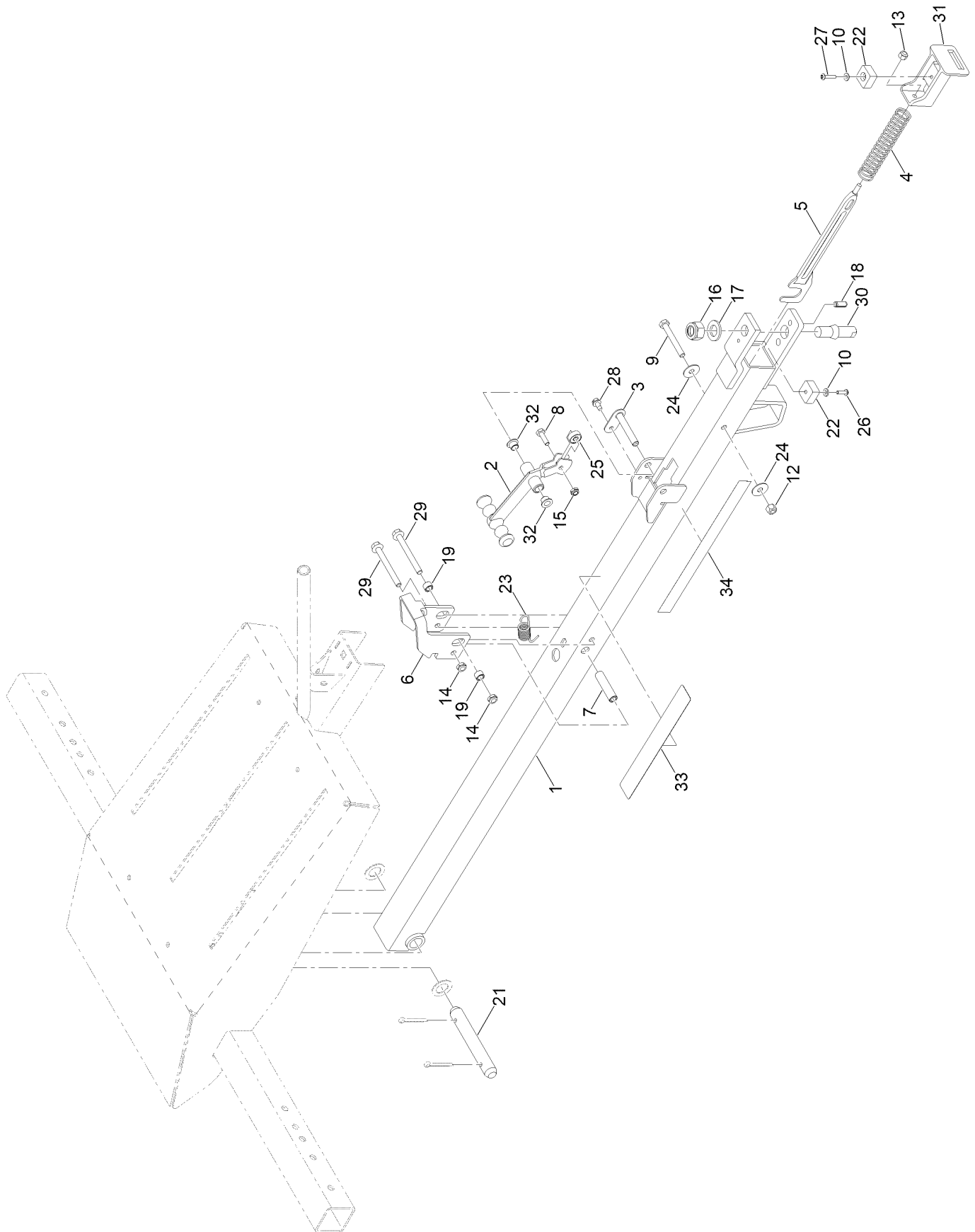


## Hub and Axle Assembly No. 117-1458 (continued)

<i>Ref.</i>	<i>Part Number</i>	<i>Qty.</i>	<i>Description</i>
2	117-5115	1	Hub And Bearing ASM
2:1	117-8251	1	Hub ASM
2:1:2	114-3918	4	Stud-Wheel
2:1:3	254-72	2	Bearing-Cup, Tapered
2:2	254-94	2	Bearing-Cone, Tapered
2:3	112-1690	1	Seal-Oil

<i>Ref.</i>	<i>Part Number</i>	<i>Qty.</i>	<i>Description</i>
2:4	241-119	1	Cap-Dust
2:5	139-2564	4	Nut-Lug
3	117-8259	1	Washer-Spindle
4	117-8260	1	Nut
5	93-0307	1	Nut-Lock, Retainer
6	3272-18	1	Pin-Cotter

# Tongue and Latch Assembly



## Tongue and Latch Assembly (continued)

<i>Ref.</i>	<i>Part Number</i>	<i>Qty.</i>	<i>Description</i>	<i>Ref.</i>	<i>Part Number</i>	<i>Qty.</i>	<i>Description</i>
1	144-5727-01	1	Tongue-Trailer	18	32121-123	1	Pin-Roll
2	161-3226	1	Handle	19	65-7910	2	Spacer
3	161-3219	1	Pin-Flag	21	92-1233	1	Pin-Clevis
4	144-5654	1	Spring-Compression	22	94-1392	2	Pad-Rubber
5	161-3224	1	Lever-Slide	23	105-9926	1	Spring-Extension
6	144-5731	1	Strap - Latch	24	108-4925	2	Washer
7	144-5712	1	Spacer - Latch	25	117-8772	1	Bearing-Ball
8	321-5	1	Screw-HH	26	119-7568	1	Screw-HSBH
9	322-12	1	Screw-HH	27	119-7577	1	Screw-BHCS
10	3256-51	2	Washer-Flat	28	120-9551	1	Screw-HWH
12	3296-29	1	Nut-Lock, NI	29	126-4687	2	Screw-HHF
13	3296-42	1	Nut-Lock, NI	30	127-5861	1	Pin-Tow
14	3296-47	2	Nut-Lock,NI	31	161-3222	1	Slide
15	3296-56	1	Nut-Lock, NI	32	137-2374	2	Bushing-Flange
16	09456	1	Nut	33	106-4669	1	Decal-Warning, Trailer
17	09491	1	Washer-Plain	34	106-4673	2	Decal

# Attachments and Accessories

## For 04235 — Trans Pro 80 Tow-Behind Trailer

Product Name	Model/Part
Flat Ramp Kit, TransPro 80 Tow-Behind Trailer .....	04236
Rail Ramp Kit, TransPro 80 Tow-Behind Trailer .....	04237
Adjustable Hitch Kit.....	107-8188

**Notes:**



**Count on it.**