



Count on it.

Parts Catalog

**Groundsmaster® 3505-D
Rotary Mower**

Model No. 30849—Serial No. 420000000 and Up



Ordering Replacement Parts

To order replacement parts, please supply the part number, the quantity, and the description of each part desired.

Understanding Reference Numbers

Each identified part in an illustration has a reference number. The reference number for a part also appears in the parts list, along with other information about the part.

This catalog uses two special reference number formats, one to indicate parts in a service assembly and another to indicate the quantity of a given part in an illustration.

Service Assembly Reference Numbers

Parts in service assemblies have reference numbers in the form a:b. The a represents the reference number of the entire service assembly and the b represents a sequential number unique to each part within the service assembly.

For example, a wheel assembly might be identified by reference number 6, the tire by 6:1, the valve by 6:2, and the wheel by 6:3. When you order the assembly identified by reference number 6, you receive all parts identified by reference numbers 6:1, 6:2, and 6:3. However, you may also order any part individually. Reference numbers of this type appear in illustration and in parts lists.

Reference Numbers Indicating Quantity

In an illustration, if a reference number indicates more than one part, the reference number has the form nX y. The n represents the quantity of the part, the X is the multiplication symbol, and the y represents the reference number.

For example, in an illustration, the reference number 2X 37 means that two of the parts identified by reference number 37 are indicated.

Contents

Frame and Roll-Over Protection System Assembly	6
Engine Assembly	8
Air Cleaner and Muffler Assembly	10
Air Cleaner Assembly No. 93-2190	12
Radiator and Oil Cooler Assembly	14
Rear Lift Arm and Carrier Frame Assembly	16
Hydraulic Cylinder Assembly No. 112-9916	18
Front Lift Arm and Carrier Frame Assembly	20
Sidewinder Carrier Mounting Assembly	22
Hydraulic Motor and Foot Guard Assembly	24
Gear Motor Assembly No. 117-5141	26
Fuel System Assembly	28
Hydraulic Tank Assembly	30
Battery Assembly	32
Seat Assembly	34
Seat and Track Assembly No. 139-2679	36
Seat Assembly No. 139-2700	38
Control Panel Assembly	40
Wire Harness Assembly No. 122-2738	42
Parking Brake and Dash Cover Assembly	44
Control Valve Assembly	46
Single Spool Control Valve Assembly No. 95-8689	48
Hydraulic Manifold Assembly No. 145-5279	50
Steering Column Assembly	52
Steering Valve Assembly No. 121-7856	54
Front Platform Assembly	56
Traction Pedal Assembly	58
Hood Assembly	60
Hood Assembly No. 147-6050	62
Front Wheel and Brake Assembly	64
Hydraulic Motor Assembly No. 110-8785	66
Hydraulic Motor Assembly No. 110-8786	68
Brake Assembly No. 104-7705	70
Rear Fork and Tire Assembly	72
Hydraulic Cylinder Assembly No. 121-3653	74
Neutral Arm Assembly	76
Gear Pump and Piston Pump Assembly	78
Hydraulic Pump Assembly No. 104-4890	80
Hydraulic Gear Pump Assembly No. 108-9036	82
Hydraulic Traction Circuit Assembly	84
Steering Hydraulic Assembly	86
Hydraulic Lift Circuit Plumbing Assembly	88
Hydraulic Mow Circuit Plumbing Assembly	90
Roller and Carrier Frame Assembly	92
Rear Roller Assembly No. 137-6141	94
Height-of-Cut Bracket Assembly	96
Chamber, Blade and Spindle Assembly	98
Spindle Assembly No. 121-3666	100
Crankcase Assembly	102
Oil Pan and Dipstick Assembly	103
Cylinder Head Assembly	104
Gear Case and Oil Filter Cartridge Assembly	105
Cylinder Head Cover Assembly	106
Main Bearing Case Assembly	107

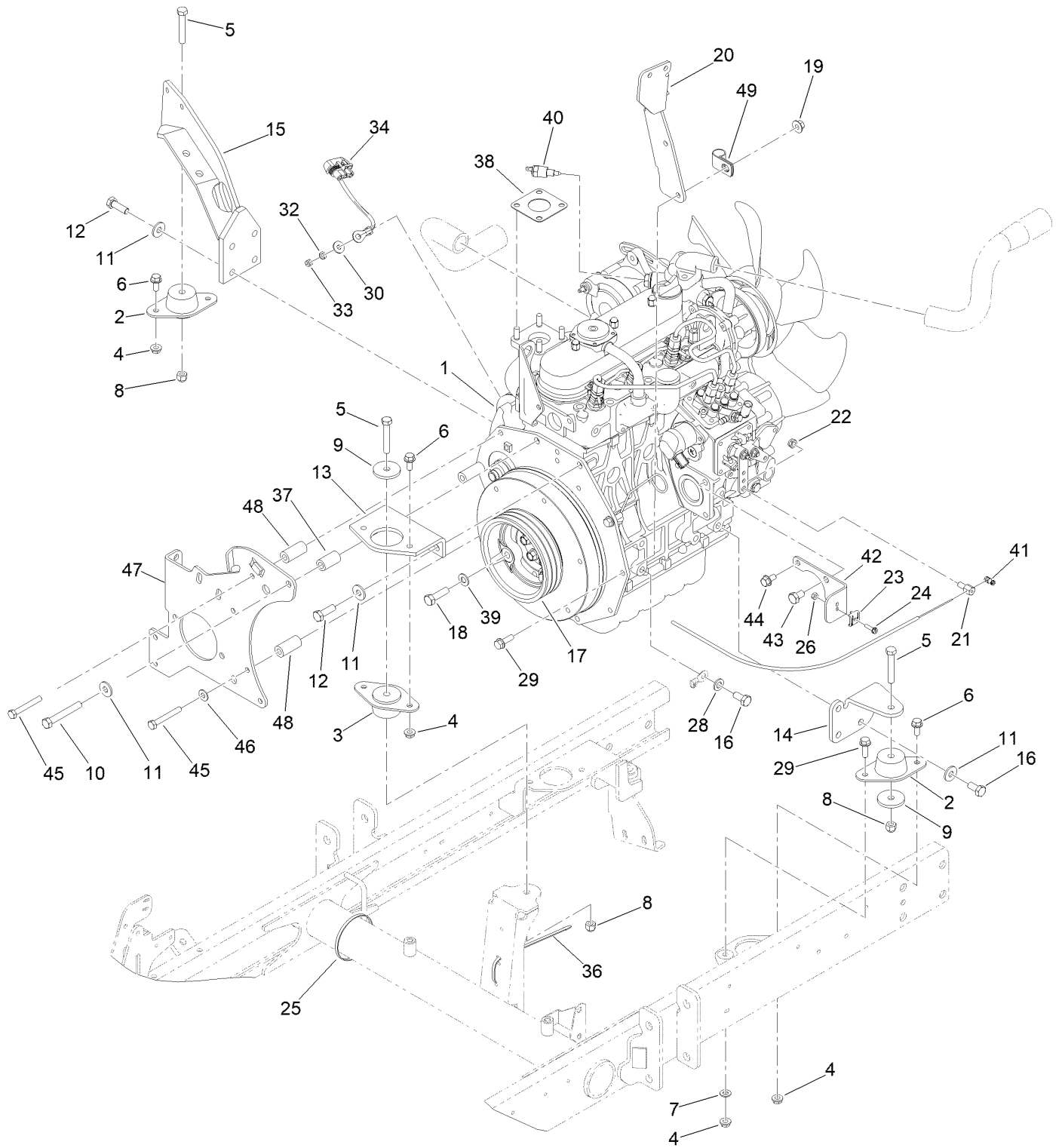
Contents (continued)

Camshaft and Idle Gear Shaft Assembly	108
Piston and Crankshaft Assembly	109
Fuel Camshaft and Governor Shaft Assembly	110
Idle Apparatus and Stop Solenoid Assembly	111
Solenoid Assembly	112
Injection Pump Assembly	113
Governor Assembly	114
Speed Control Plate Assembly	115
Nozzle Holder and Glow Plug Assembly	116
Nozzle Holder Assembly	117
Alternator, Pulley and Fan Assembly	118
Alternator Assembly No. 131-6557	119
Starter and Flywheel Assembly	120
Starter Component Assembly	121
Water Flange and Thermostat Assembly	122
Water Pump Assembly	123
Valve and Rocker Arm Assembly	124
Inlet and Exhaust Manifold Assembly	125
Miscellaneous Engine Parts	126
Attachments and Accessories	127

Frame and Roll-Over Protection System Assembly (continued)

<i>Ref.</i>	<i>Part Number</i>	<i>Qty.</i>	<i>Description</i>	<i>Ref.</i>	<i>Part Number</i>	<i>Qty.</i>	<i>Description</i>
1	121-3635	1	Frame	13	127-8493	1	ROPS ASM
1:2	32148-8	2	Nut-Clinch	13:3	136-3702	1	Decal-Safety, ROPS
1:3	32148-6	4	Nut-Clinch	14	117-3176	4	Screw-HHF
1:4	133-8062	1	Decal-Spark Arrestor	17	104-7050	1	Tube-Manual
1:5	117-3270	1	Decal-Danger	18	2412-133	2	Clamp-R
2	95-8568-03	1	Frame-Lower	19	32144-70	2	Screw-HWHTF
4	3234-38	8	Screw-HHF	20	3256-23	2	Washer-Plain
5	32128-49	12	Nut-HHF	21	2412-98	1	Clamp-Hose
6	99-3375-03	1	Step	23	104-4634-03	1	Toolbox
7	2412-72	2	Clip-Closed, Insulated	24	104-4633-03	1	Cover-Toolbox
8	95-8615	1	Tube-Breather	26	121-3623	1	Decal-Danger
9	32144-10	5	Screw-HWH	27	104-7048	1	Cap-Housing
10	3234-4	2	Screw-HHF	36	161-8355	1	Cup Holder ASM
11	104-0468-01	1	Cover-Frame	37	32144-1	2	Screw-Taptite
12	3234-5	2	Screw-HHF				

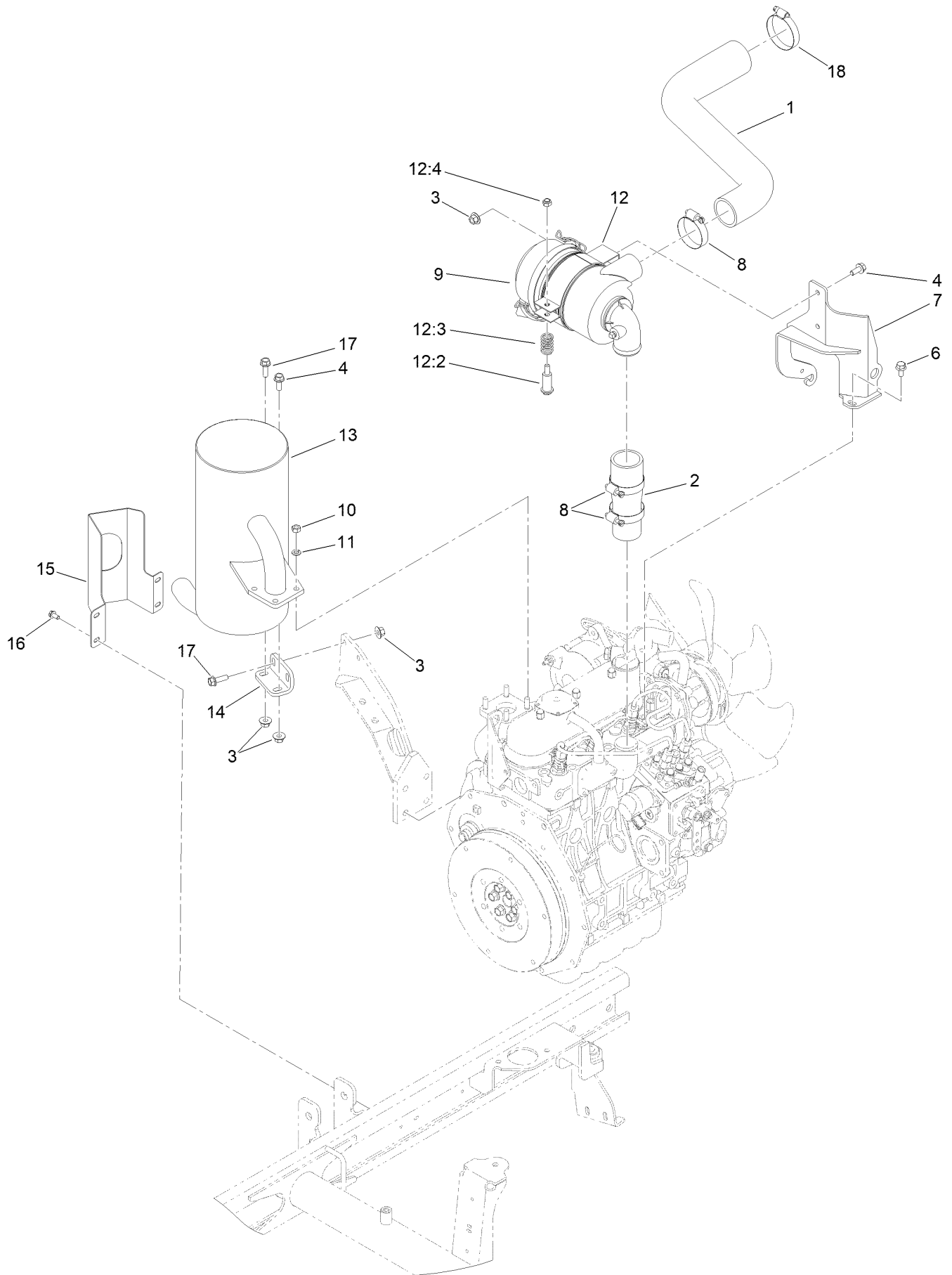
Engine Assembly



Engine Assembly (continued)

<i>Ref.</i>	<i>Part Number</i>	<i>Qty.</i>	<i>Description</i>	<i>Ref.</i>	<i>Part Number</i>	<i>Qty.</i>	<i>Description</i>
1	145-2804	1	Engine-Kubota, D1105	24	32105-13	1	Screw-HWH
2	121-9076	2	Mount-Engine	25	3290-379	2	Tie-Cable
3	93-5265	1	Mount-Engine	26	3296-2	1	Nut-Lock, NI
4	32128-20	6	Nut-HF	28	33095-00	1	Washer-Flat
5	323-11	3	Screw-HH	29	3234-17	3	Screw-HHF
6	3234-5	5	Screw-HHF	30	3256-78	1	Washer-Flat
7	120-9683	1	Washer-Plain	32	43-5930	1	Washer-Lock, Spring
8	3296-39	3	Nut-Lock, NI	33	48-7890	1	Nut-Hex
9	80-8560	3	Washer-Hardened	34	99-3441	1	Harness-Wire, Fusible Link
10	42-9370	1	Screw-HH	36	3290-378	14	Tie-Cable
11	80-6990	9	Washer-Hardened	37	95-8736	1	Spacer
12	95-8812	5	Screw-HH	38	98-9611	1	Gasket
13	99-3618-0P	1	Mount-Engine, Front	39	3256-24	3	Washer-Plain
14	95-8937-0P	1	Mount-Engine, LH	40	106-7772	1	Thermoswitch
15	100-4838-0P	1	Mount-Engine	41	112-9919	1	Stop-Cable, Throttle
16	63-7790	4	Screw-Cap	42	110-9009-0P	1	Bracket-Cable, Throttle
17	99-3626	1	Pulley-3V	43	70-8470	1	Screw-HH
18	56-2140	3	Screw-HH	44	33104-016	1	Screw-HHF
19	32128-44	2	Nut	45	33114-060	4	Screw-HH
20	115-3487-0P	1	Bracket-Mount, Fuel Filter	46	87-8640	3	Washer-Flat
21	98-9311	1	Swivel-Throttle	47	120-3375-0P	1	Plate-Mount, Pump
22	3296-20	1	Nut-Lock, NI	48	95-8941	4	Spacer-Mount, Pump
23	81-1690	1	Clamp-Cable	49	2412-138	1	R-Clamp

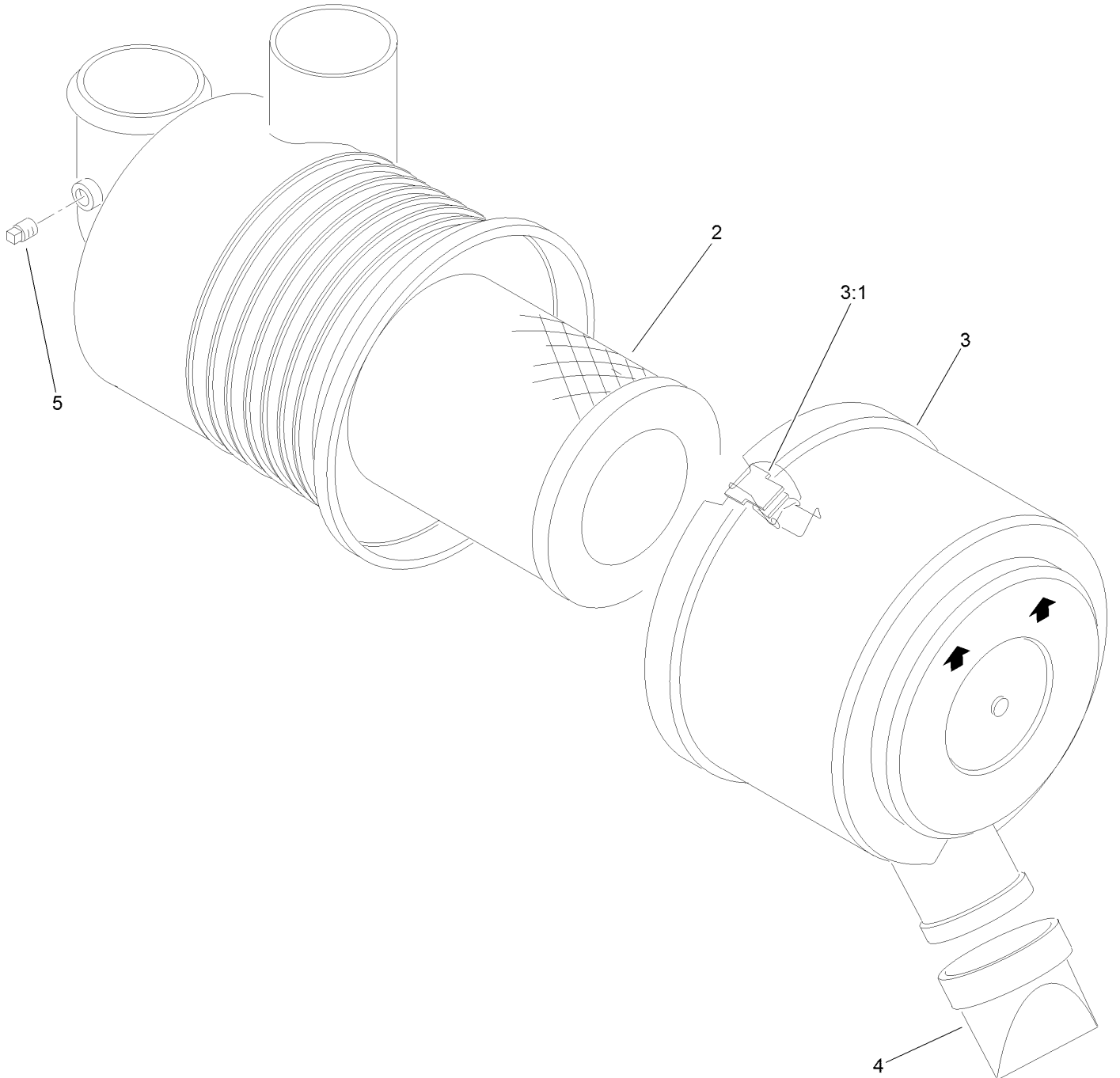
Air Cleaner and Muffler Assembly



Air Cleaner and Muffler Assembly (continued)

<i>Ref.</i>	<i>Part Number</i>	<i>Qty.</i>	<i>Description</i>	<i>Ref.</i>	<i>Part Number</i>	<i>Qty.</i>	<i>Description</i>
1	120-3354	1	Hose-Air Inlet, Upper	12:2	94-3653	1	Bolt
2	95-8947	1	Hose-Air Inlet, Lower	12:3	94-3654	1	Spring
3	32128-44	6	Nut	12:4	33024-00	1	Nut-Lock, NI
4	3234-5	3	Screw-HHF	13	139-6013	1	Muffler
6	33104-016	3	Screw-HHF	14	95-8943-0P	1	Bracket-Muffler
7	136-3154-0P	1	Bracket-Cleaner, Air	15	140-7428-03	1	Guard-Exhaust
8	2412-92	3	Clamp-Hose	16	32144-4	4	Screw-HWH
9	93-2190	1	Air Cleaner ASM	17	3234-17	3	Screw-HHF
10	33014-00	4	Nut-Hex	18	2412-130	1	Clamp-Hose
11	3253-4	4	Washer-Lock				
12	93-2191	1	Air Cleaner Mounting Band ASM				

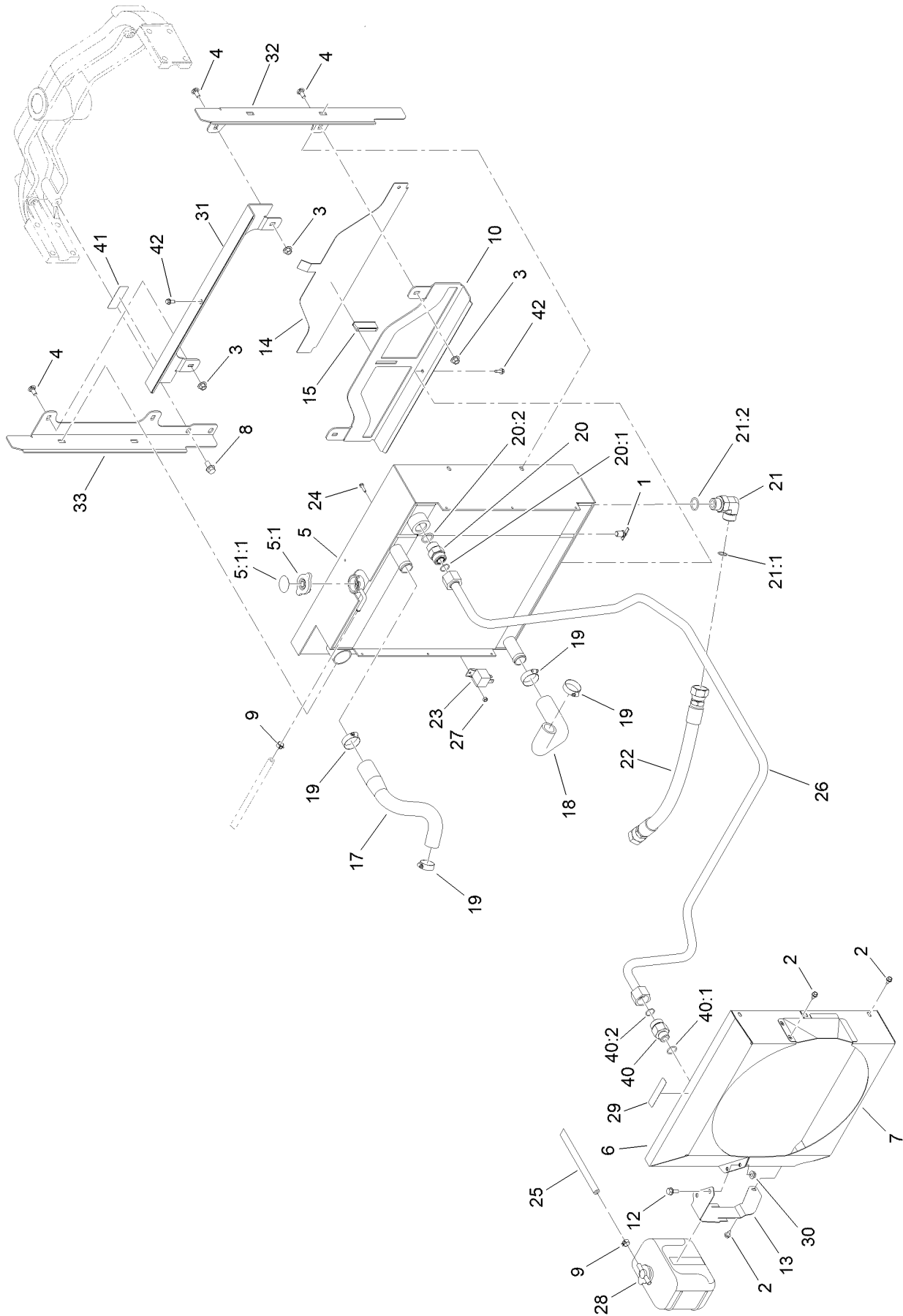
Air Cleaner Assembly No. 93-2190



Air Cleaner Assembly No. 93-2190 (continued)

<i>Ref.</i>	<i>Part Number</i>	<i>Qty.</i>	<i>Description</i>	<i>Ref.</i>	<i>Part Number</i>	<i>Qty.</i>	<i>Description</i>
2	108-3811	1	Filter-Air V-Twin HD	4	87-9400	1	Valve-Vacuator
3	94-3652	1	Cover ASM	5	285-17	1	Plug-Pipe
3:1	1-643283	2	Latch-Cleaner, Air				

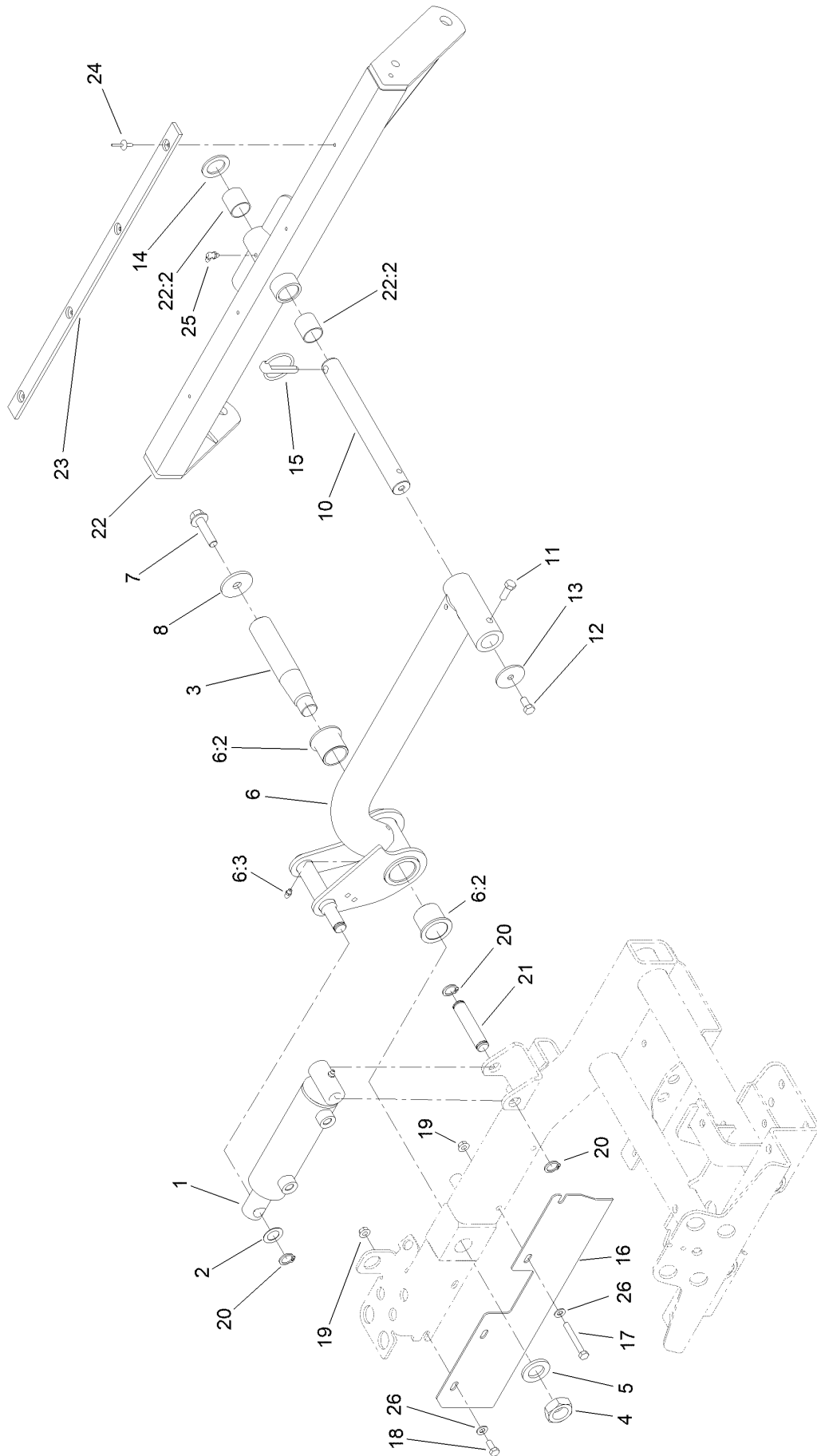
Radiator and Oil Cooler Assembly



Radiator and Oil Cooler Assembly (continued)

<i>Ref.</i>	<i>Part Number</i>	<i>Qty.</i>	<i>Description</i>	<i>Ref.</i>	<i>Part Number</i>	<i>Qty.</i>	<i>Description</i>
1	304-46	1	Draincock	20:2	237-81	1	O-Ring
2	32104-116	8	Screw-HWHTF	21	340-142	1	Fitting-Elbow, 90 DEG
3	32128-44	8	Nut	21:1	237-58	1	O-Ring
4	3230-1	8	Bolt-CARR	21:2	237-81	1	O-Ring
5	119-2028	1	Radiator And Oil Cooler ASM	22	92-7536	1	Hose-HYD
5:1	115-7766	1	Cap-Radiator	23	99-7435	1	Relay
5:1:1	106-6755	1	Decal-Cap, Radiator	24	32105-13	1	Screw-HWH
6	121-3556-0P	1	Shroud-Fan, Upper	25	109-0274	1	Hose-Fuel
7	121-3552-0P	1	Shroud-Fan, Lower	26	145-5284	1	Hydraulic Tube ASM
8	3234-1	4	Screw-HHF	27	3296-2	1	Nut-Lock, NI
9	92-2379	2	Clamp-Hose	28	108-0638	1	Bottle-Overflow
10	120-3530-0P	1	Bracket-Radiator, Bottom	29	93-6681	1	Decal-Warning, Fan
12	3234-5	2	Screw-HHF	30	32128-20	2	Nut-HF
13	121-3557-0P	1	Bracket-Reservoir	31	120-3529-0P	1	Bracket-Radiator, Top
14	95-8702-0P	1	Shield-Radiator, Lower	32	120-3531-0P	1	Bracket-Radiator, LH
15	99-3497	1	Magnet	33	120-3532-0P	1	Bracket-Radiator, RH
17	121-3558	1	Hose-Radiator, Upper	40	340-66	1	Fitting-Straight
18	120-3399	1	Hose-Radiator, Lower	40:1	237-80	1	O-Ring
19	2412-34	4	Clamp-Hose	40:2	237-58	1	O-Ring
20	340-9	1	Fitting-STR	41	125-6688	1	Decal-Danger, Starter Fluid
20:1	237-58	1	O-Ring	42	32144-10	2	Screw-HWH

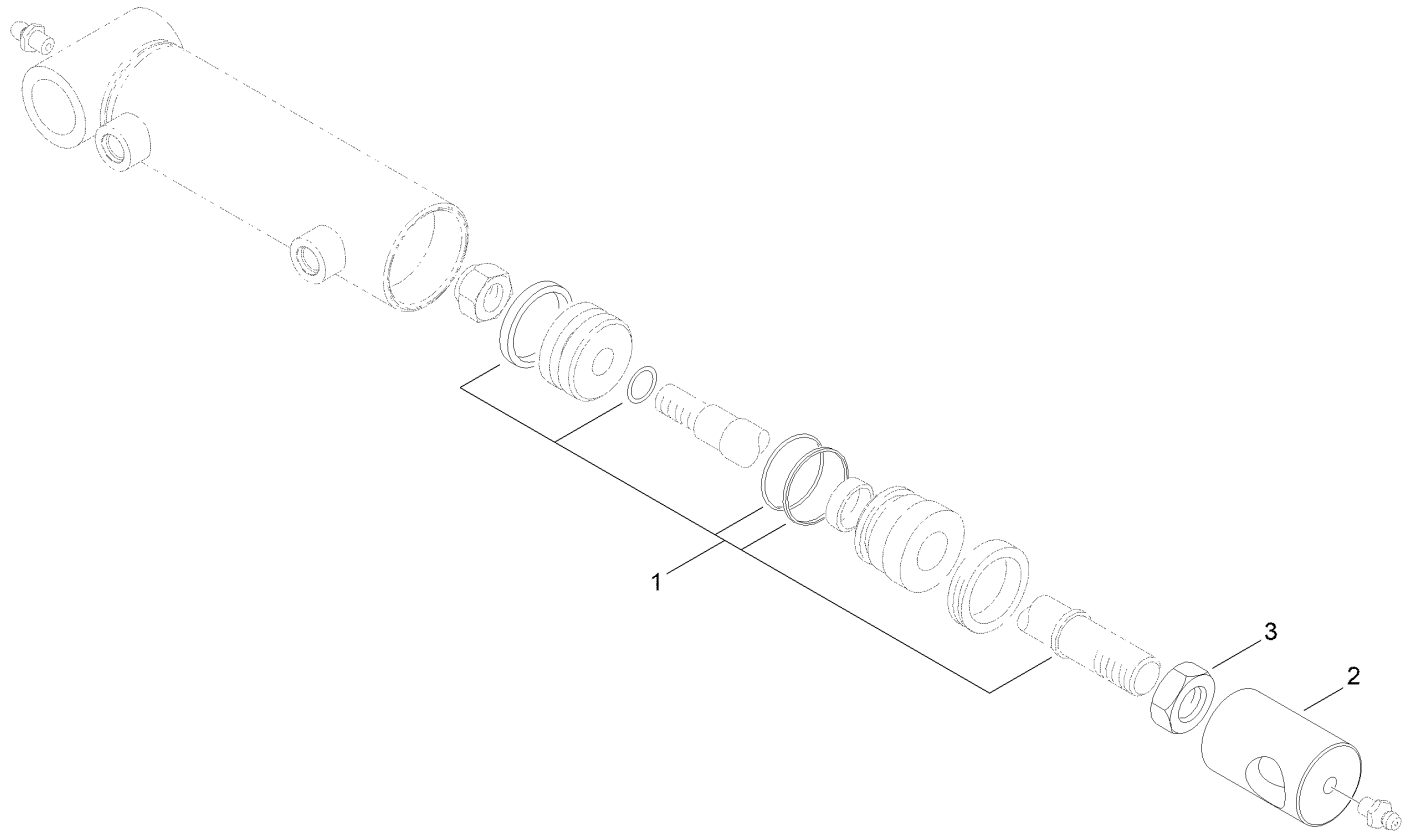
Rear Lift Arm and Carrier Frame Assembly



Rear Lift Arm and Carrier Frame Assembly (continued)

<i>Ref.</i>	<i>Part Number</i>	<i>Qty.</i>	<i>Description</i>	<i>Ref.</i>	<i>Part Number</i>	<i>Qty.</i>	<i>Description</i>
1	112-9916	1	HYD Cylinder ASM	14	3-6781	1	Washer-Flat
2	3-6498	1	Washer-Thrust	15	283-71	1	Pin-Lynch
3	95-8990	1	Shaft-Pivot, Rear	16	121-3616-03	1	Guard
4	3220-9	1	Nut-Jam	17	322-12	2	Screw-HH
5	86-1480	1	Washer	18	322-3	2	Screw-HH
6	136-3415	1	Rear Liftarm ASM	19	32128-20	4	Nut-HF
6:2	69-6470	2	Bushing-Caster	20	32120-93	3	Ring-Retaining
6:3	302-5	1	Fitting-Grease	21	95-8575	1	Pin-Clevis
7	3234-27	1	Screw-HHF	22	104-4229	1	Rear Carrier Frame ASM
8	75-7730	1	Washer-Thrust	22:2	108-4000	2	Bushing
10	100-4944	1	Shaft-Pivot, Cutting Unit	23	95-8936	1	Strip-Wear
11	323-6	1	Screw-HH	24	3269-18	4	Rivet-Blind
12	323-4	1	Screw-HH	25	302-60	1	Fitting-Grease
13	139-1726	1	Washer-Rebound	26	3256-23	4	Washer-Plain

Hydraulic Cylinder Assembly No. 112-9916



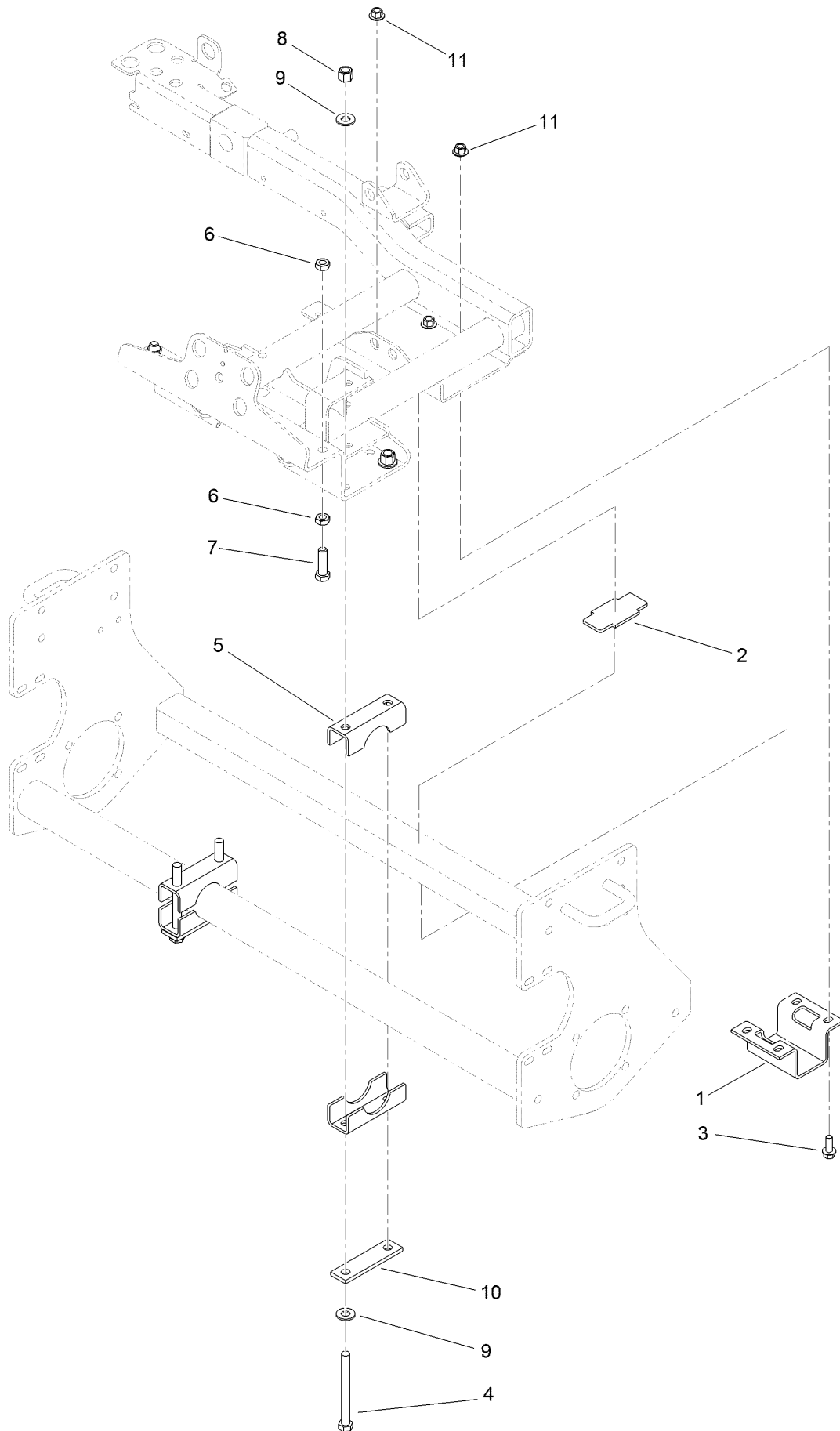
Hydraulic Cylinder Assembly No. 112-9916 (continued)

<i>Ref.</i>	<i>Part Number</i>	<i>Qty.</i>	<i>Description</i>
1	115-3410	1	Seal Kit
2	108-9035	1	Clevis
3	3220-7	1	Nut-Jam

Front Lift Arm and Carrier Frame Assembly (continued)

<i>Ref.</i>	<i>Part Number</i>	<i>Qty.</i>	<i>Description</i>	<i>Ref.</i>	<i>Part Number</i>	<i>Qty.</i>	<i>Description</i>
1	112-9916	1	HYD Cylinder ASM	31	3290-467	2	Pin-Hair
2	100-4939-03	1	Carrier-Sidewinder	32	110-8793-03	1	Stop-Deck, RH
8	3234-11	4	Screw-HHF	33	110-8794-03	1	Stop-Deck, LH
9	95-8531	2	Shaft-Pivot, Liftarm	34	3269-11	4	Rivet-Pop
10	325-10	2	Screw-HH	35	86-5350	2	Bumper-Rubber
11	3234-27	2	Screw-HHF	36	119-4042	4	Nut-HF, NI
19	95-8575	2	Pin-Clevis	38	110-8787	2	Front Carrier Frame ASM
20	75-9590	2	Spacer-Cylinder	38:2	108-4000	2	Bushing
21	32120-93	4	Ring-Retaining	44	104-4828-03	2	Bracket-Actuator
22	104-4820-03	1	Bracket-Stop, Carrier	45	137-3061	8	Bolt-CARR
23	136-3423	1	RH Liftarm ASM	46	32128-44	12	Nut
23:2	69-6470	2	Bushing-Caster	47	104-4826-03	1	Actuator-RH
23:3	302-5	1	Fitting-Grease	48	104-4827-03	1	Actuator-LH
24	136-3421	1	LH Liftarm ASM 2/Bx	49	104-4819-03	1	Bracket-Pivot, LH
24:2	69-6470	2	Bushing-Caster	50	104-4825-03	1	Bracket-Pivot, RH
24:3	302-5	1	Fitting-Grease	51	323-12	2	Screw-HH
25	323-6	2	Screw-HH	52	322-12	2	Screw-HH
26	105-7560	2	Shaft-Cu Pivot	53	104-4821	2	Spring-Torsion
27	3-6781	2	Washer-Flat	54	32128-43	4	Nut-Flange
28	283-71	2	Pin-Lynch	55	3296-45	2	Nut-Hex
29	104-0472	1	Rod				

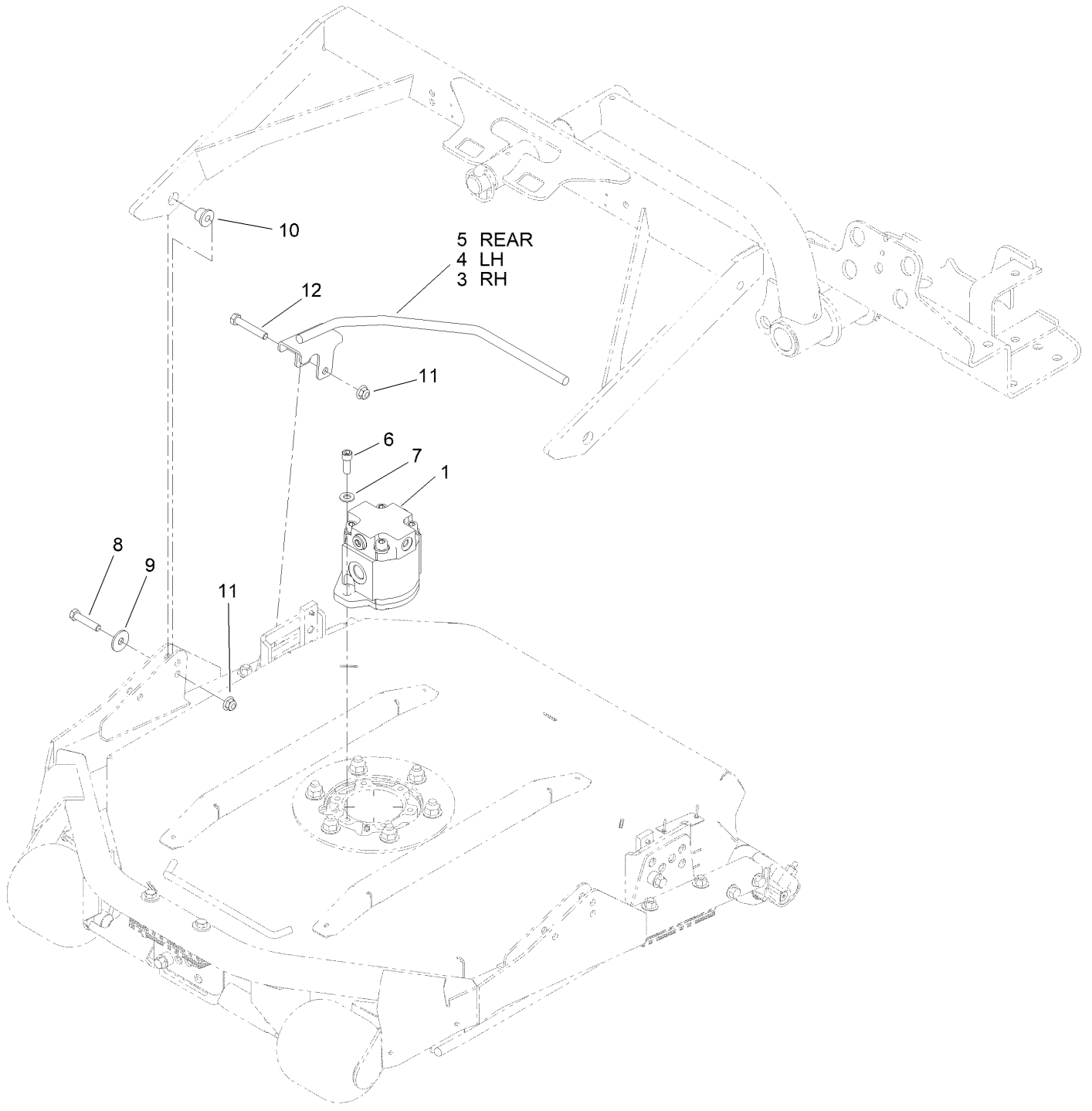
Sidewinder Carrier Mounting Assembly



Sidewinder Carrier Mounting Assembly (continued)

<i>Ref.</i>	<i>Part Number</i>	<i>Qty.</i>	<i>Description</i>	<i>Ref.</i>	<i>Part Number</i>	<i>Qty.</i>	<i>Description</i>
1	95-8904-0P	1	Bracket	7	325-7	2	Screw-HH
2	95-8538	1	Slide-Plastic	8	3296-23	4	Nut-Lock, NI
3	3234-11	4	Screw-HHF	9	87-7270	8	Washer-Thrust
4	325-19	4	Screw-HH	10	99-3373	2	Bar-Support, Slide
5	95-8884	4	Clamp	11	32128-43	4	Nut-Flange
6	3218-5	4	Nut-Jam				

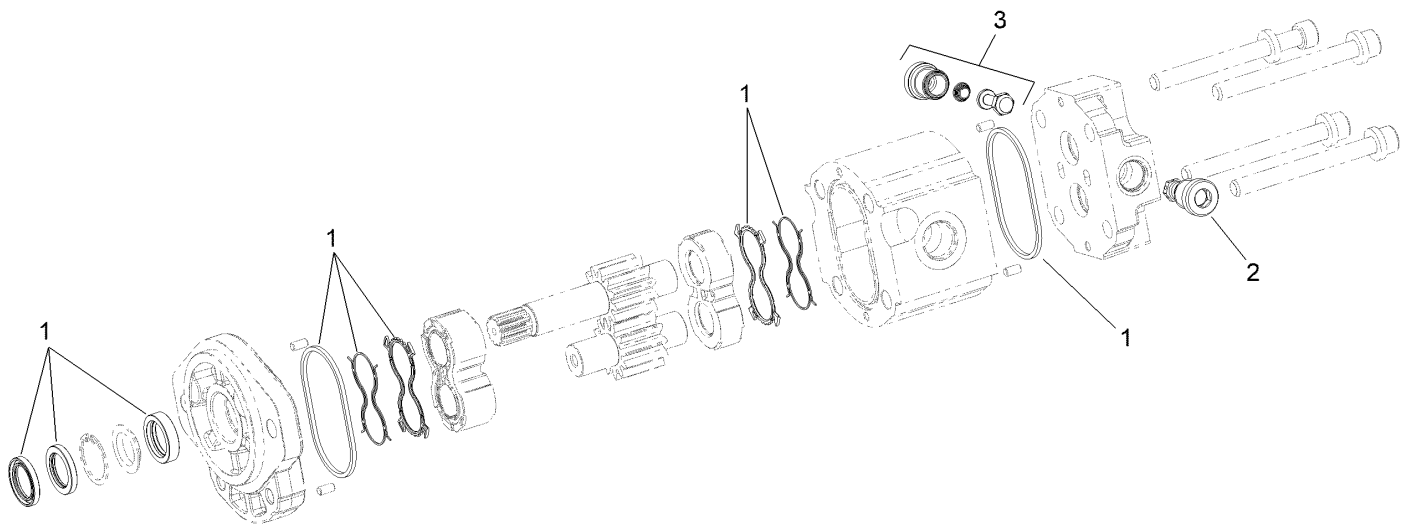
Hydraulic Motor and Foot Guard Assembly



Hydraulic Motor and Foot Guard Assembly (continued)

<i>Ref.</i>	<i>Part Number</i>	<i>Qty.</i>	<i>Description</i>	<i>Ref.</i>	<i>Part Number</i>	<i>Qty.</i>	<i>Description</i>
1	117-5141	3	HYD Motor ASM	8	323-52	6	Screw-HH
3	112-9901-03	1	Guard-Foot, RH	9	93-8806	6	Washer-Hardened
4	112-9902-03	1	Guard-Foot, LH	10	95-8803	6	Bushing-Flange
5	112-9900-03	1	Guard-Foot	11	119-4042	10	Nut-HF, NI
6	3274-7	6	Screw-HSH	12	323-11	4	Screw-HH
7	3256-24	6	Washer-Plain				

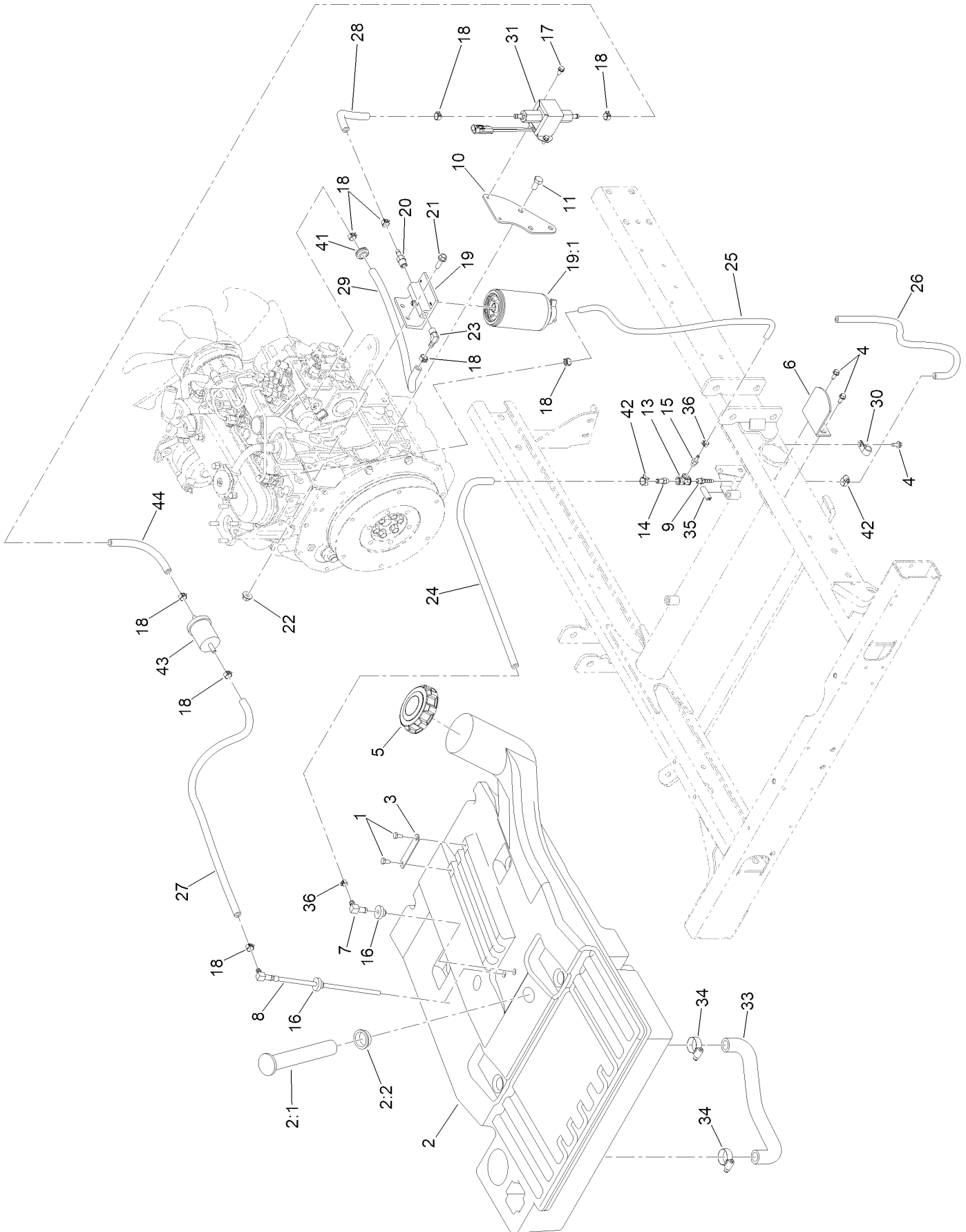
Gear Motor Assembly No. 117-5141



Gear Motor Assembly No. 117-5141 (continued)

<i>Ref.</i>	<i>Part Number</i>	<i>Qty.</i>	<i>Description</i>
1	161-7216	1	Seal Kit
2	107-7820	1	Valve-Relief
3	107-7821	1	Valve-Anticavitation

Fuel System Assembly



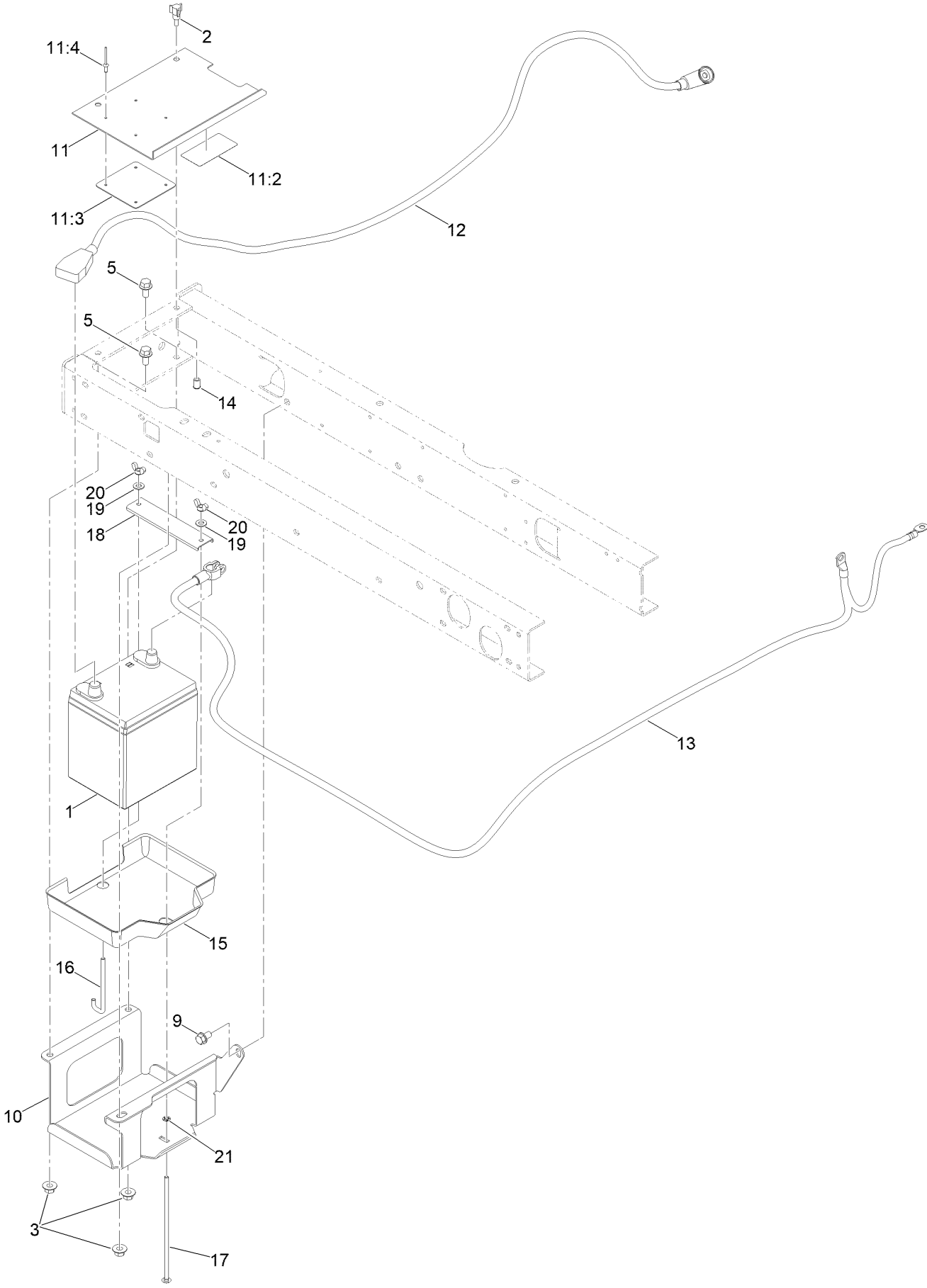
Fuel System Assembly (continued)

<i>Ref.</i>	<i>Part Number</i>	<i>Qty.</i>	<i>Description</i>	<i>Ref.</i>	<i>Part Number</i>	<i>Qty.</i>	<i>Description</i>
1	321-2	2	Screw-HH	20	353-783	1	Fitting-STR
2	105-7865	1	Tank-Fuel	21	3234-17	2	Screw-HHF
2:1	95-8971	1	Gauge-Fuel	22	32128-44	2	Nut
2:2	95-8972	1	Grommet	23	353-781	1	Fitting-HYD, 90
3	95-8881	1	Strap-Line, Fuel	24	110-6187	1	Hose-Fuel
4	32144-10	3	Screw-HWH	25	138-3151	1	Hose-Fuel
5	125-9171	1	Cap-Fuel	26	110-5701	1	Hose-Fuel
6	95-8968-03	1	Support-Tank, Fuel	27	110-3257	1	Hose-Fuel
7	46-6550	1	Fitting-Elbow, 90 DEG	28	109-0310	1	Hose-Fuel
8	110-9689	1	Pipe-Stand	29	121-7852	1	Hose-Fuel
9	304-73	1	Fitting-Straight	30	2412-73	1	Clamp-R
10	136-3818-0P	1	Plate-Fuel Pump	31	145-3160	1	Pump-Fuel, Electric
11	63-7790	3	Screw-Cap	33	105-4094	1	Hose-Formed
13	354-20	1	Fitting-Tee	34	2412-129	2	Clamp-Hose
14	354-21	1	Fitting-Barbed	35	110-8754	1	Trim
15	354-22	1	Fitting-Barbed	36	2412-80	2	Clamp-Hose
16	46-6560	2	Bushing	41	1-543296	1	Grommet
17	32144-4	2	Screw-HWH	42	2412-98	1	Clamp-Hose
18	92-2379	10	Clamp-Hose	43	98-7612	1	Filter-Fuel
19	110-9044	1	Separator-Filter	44	108-3280	1	Hose-Fuel
19:1	110-9049	1	Filter-Spin On, Fuel/Water				

Hydraulic Tank Assembly (continued)

<i>Ref.</i>	<i>Part Number</i>	<i>Qty.</i>	<i>Description</i>	<i>Ref.</i>	<i>Part Number</i>	<i>Qty.</i>	<i>Description</i>
1	240-11	4	Bushing-Flange	13	104-7546	1	Tank Strainer ASM
2	3234-11	4	Screw-HHF	13:1	340-136	1	O-Ring
3	353-987	1	Fitting-Elbow, 90	14	119-6968	1	Dipstick-Oil
3:1	237-81	1	O-Ring	15	92-5821	1	Head-Filter
4	100-4890	1	Fitting-Check	16	93-7160	1	Cap-Oil, HYD
4:1	237-79	1	O-Ring	18	104-0486	1	Hose-HYD
4:2	237-30	1	O-Ring	19	104-4836	1	Fitting-Tee
5	63-8410	4	Washer	19:1	237-58	2	O-Ring
6	104-4840	1	Tank-HYD	19:2	237-81	1	O-Ring
7	2412-34	2	Clamp-Hose	20	104-0487	1	Hose-HYD
9	3234-13	2	Screw-HHF	21	95-3502	1	Fitting-Elbow 90
10	340-142	1	Fitting-Elbow, 90 DEG	21:1	237-81	1	O-Ring
10:1	237-58	1	O-Ring	22	104-5486	1	Hose
10:2	237-81	1	O-Ring	23	3290-379	1	Tie-Cable
11	86-3010	1	Filter-Oil	26	2412-129	1	Clamp-Hose
12	57-5420	1	Screw-Shoulder				

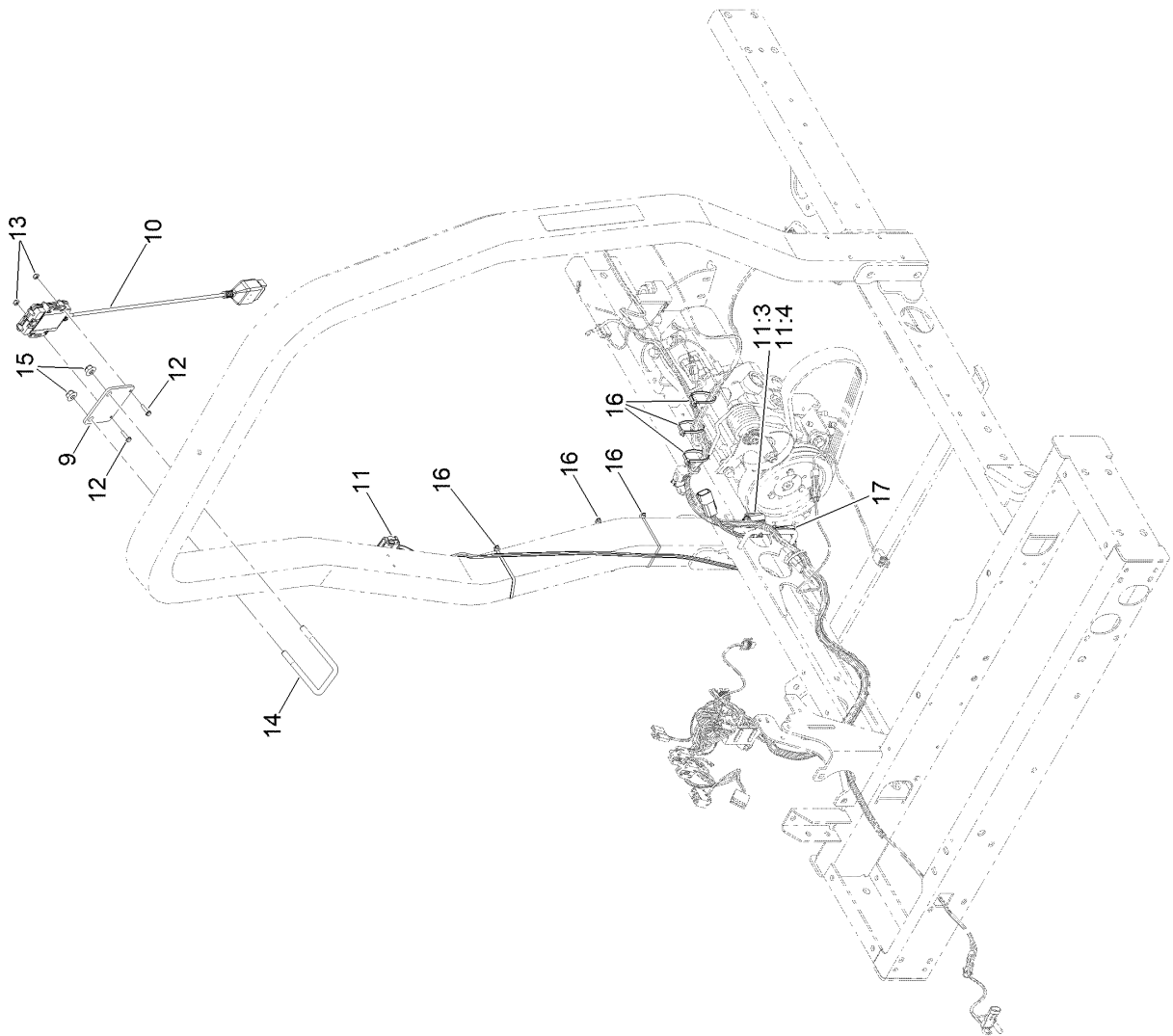
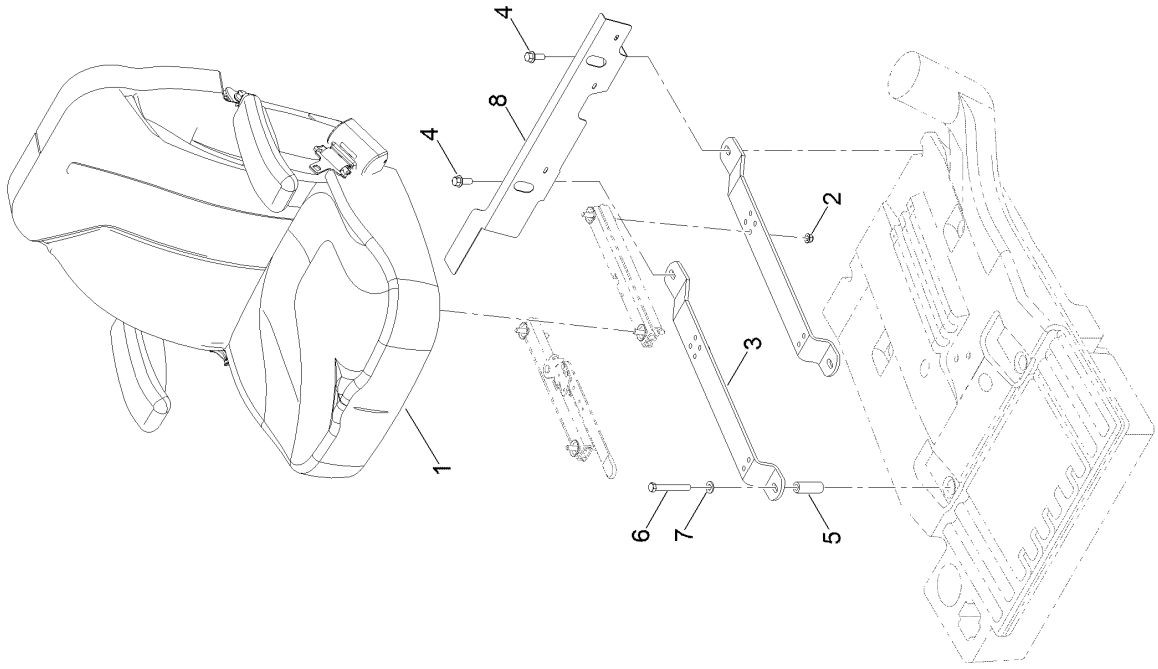
Battery Assembly



Battery Assembly (continued)

<i>Ref.</i>	<i>Part Number</i>	<i>Qty.</i>	<i>Description</i>	<i>Ref.</i>	<i>Part Number</i>	<i>Qty.</i>	<i>Description</i>
1	161-6891	1	Battery-Wet,12V,540 CCA	12	95-8853	1	Cable-Battery, Positive
2	233-70	2	Knob-Star, Three	13	95-8854	1	Cable-Battery, Negative
3	32128-43	3	Nut-Flange	14	32148-6	2	Nut-Clinch
5	3234-1	3	Screw-HHF	15	163-3526	1	Tray-Battery
9	32144-15	1	Screw-HHFTF	16	163-3516	1	Post-Clamp, Battery
10	163-3537-0P	1	Support-Battery	17	137-8106	1	Screw-CARR
11	99-3602	1	Battery Cover ASM	18	163-3515-0P	1	Channel-Clamp, Battery
11:2	93-7276	1	Decal-Danger	19	3256-23	2	Washer-Plain
11:3	87-7620	1	Shield-Terminal, Battery	20	32103-22	2	Nut-Wing
11:4	3269-27	4	Rivet-Snap	21	32115-15	1	Nut-Push

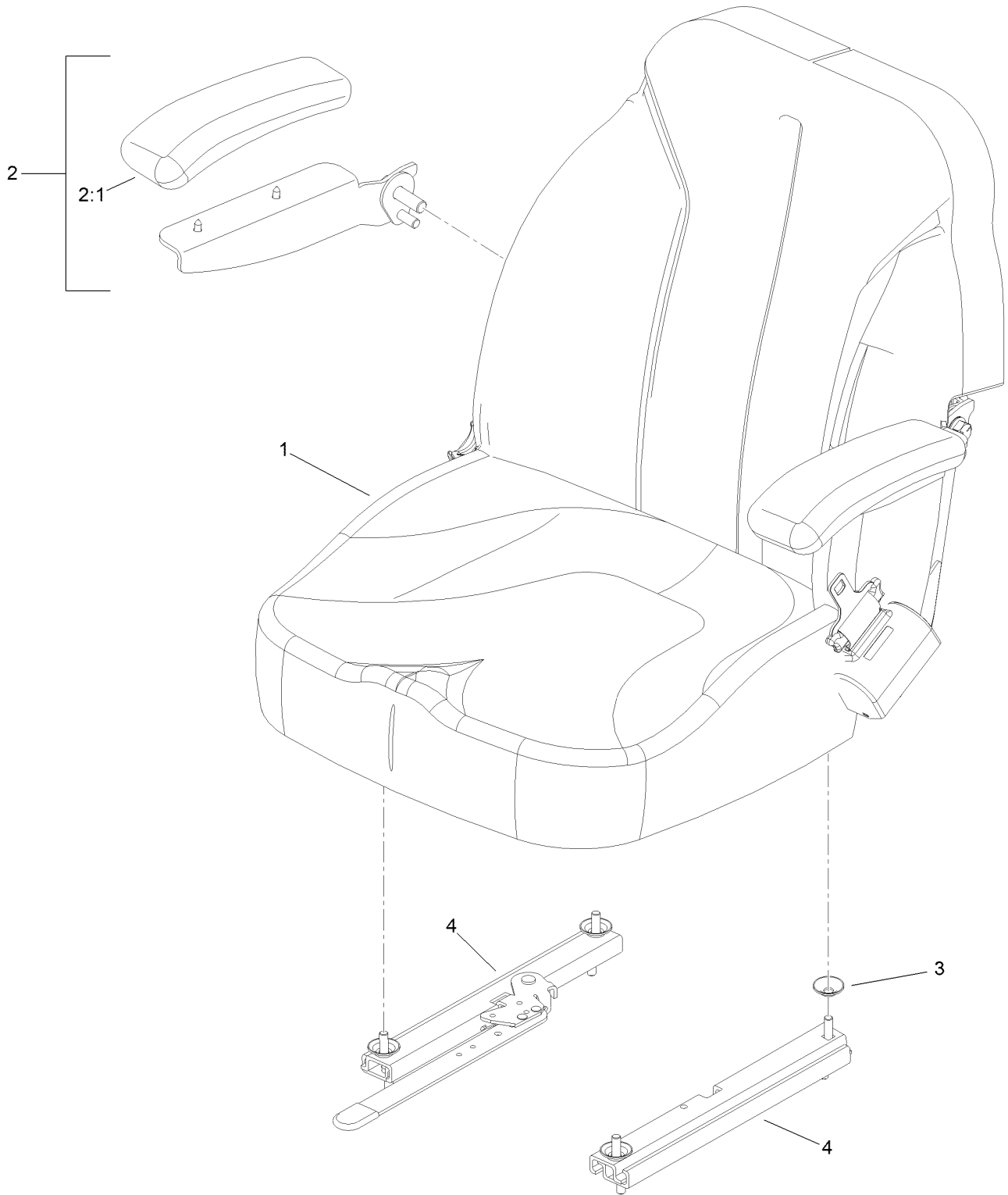
Seat Assembly



Seat Assembly (continued)

<i>Ref.</i>	<i>Part Number</i>	<i>Qty.</i>	<i>Description</i>	<i>Ref.</i>	<i>Part Number</i>	<i>Qty.</i>	<i>Description</i>
1	139-2679	1	Seat And Track ASM	11	122-2161	1	Harness-Wire
2	119-4041	4	Nut-HF	11:3	121-8861	1	Fuse-Mini Blade, 2 Amp
3	121-3655-03	2	Strap-Support, Seat	11:4	32180-101	1	Cover-Fuse, Single
4	3234-11	2	Screw-HHF	12	3290-126	2	Screw-HWH
5	104-0466	2	Spacer	13	3296-2	2	Nut-Lock, NI
6	323-14	2	Screw-HH	14	138-8991	1	U-Bolt-Sq
7	3256-24	2	Washer-Plain	15	119-4042	2	Nut-HF, NI
8	104-4833-03	1	Shield-Heat	16	3290-379	6	Tie-Cable
9	161-8395-03	1	Bracket-Lmu	17	3290-378	5	Tie-Cable
10	122-3876	1	Gateway-Telematics Lite				

Seat and Track Assembly No. 139-2679



Seat and Track Assembly No. 139-2679 (continued)

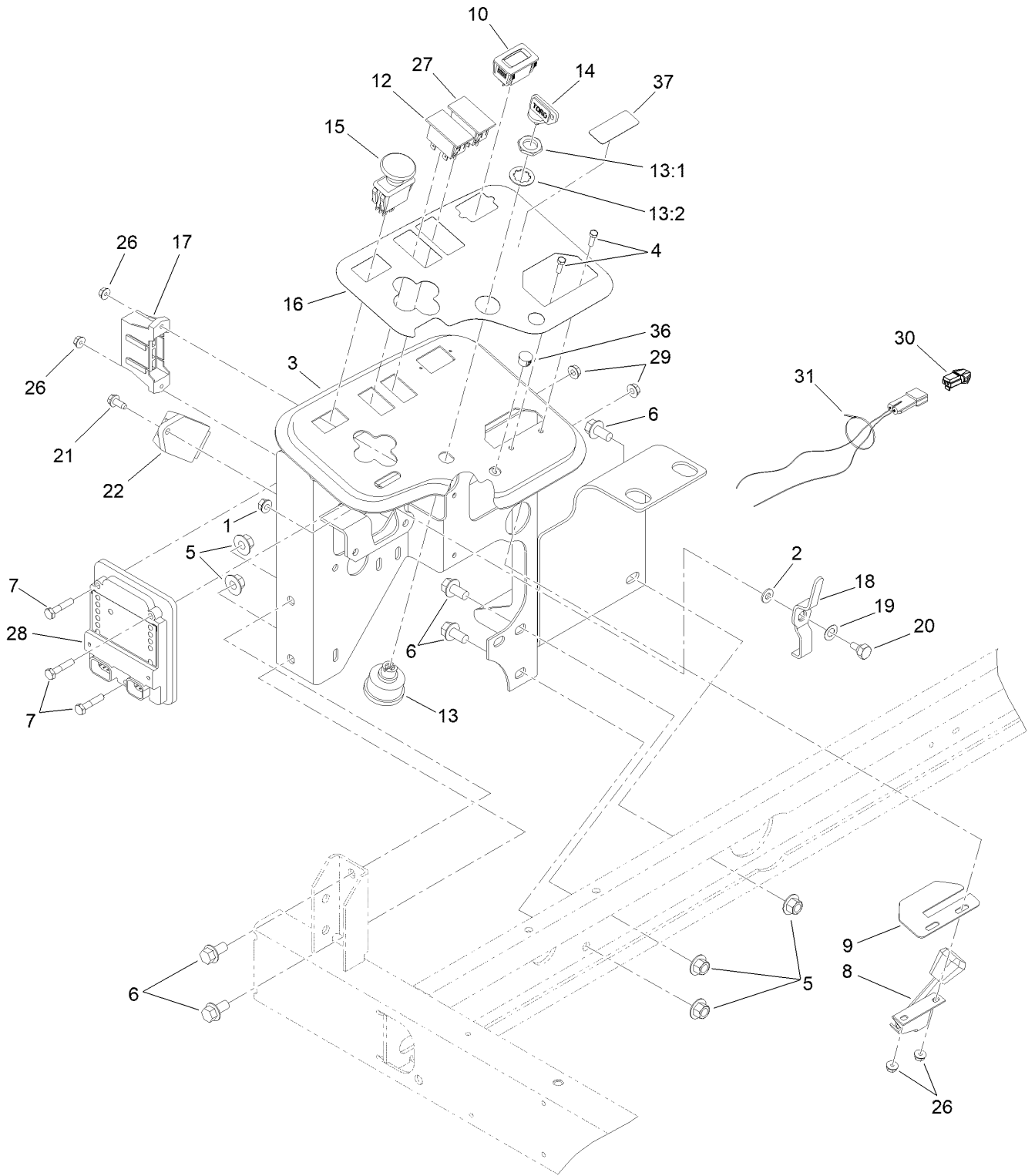
<i>Ref.</i>	<i>Part Number</i>	<i>Qty.</i>	<i>Description</i>	<i>Ref.</i>	<i>Part Number</i>	<i>Qty.</i>	<i>Description</i>
1	139-2700	1	Seat ASM	3	136-9002	4	Spacer-Mounting
2	121-3658	1	RH Arm Rest Kit	4	126-2177	1	Track-Seat
2:1	110-4163	1	Cushion-Rest, Arm				

Seat Assembly No. 139-2700 (continued)

<i>Ref.</i>	<i>Part Number</i>	<i>Qty.</i>	<i>Description</i>
1	139-2680	1	Seat ASM
1:1	145-0083	1	Cover-Seat, Back
1:2	145-0084	1	Cover-Seat, Bottom
1:3	139-2707	1	Seat Belt Kit
1:4	82-2190	1	Switch-Bail

<i>Ref.</i>	<i>Part Number</i>	<i>Qty.</i>	<i>Description</i>
1:5	139-2701	1	Plate-Decal
1:6	3234-30	2	Screw-HHF
2	121-3660	1	LH Arm Rest Kit
2:1	110-4163	1	Cushion-Rest, Arm

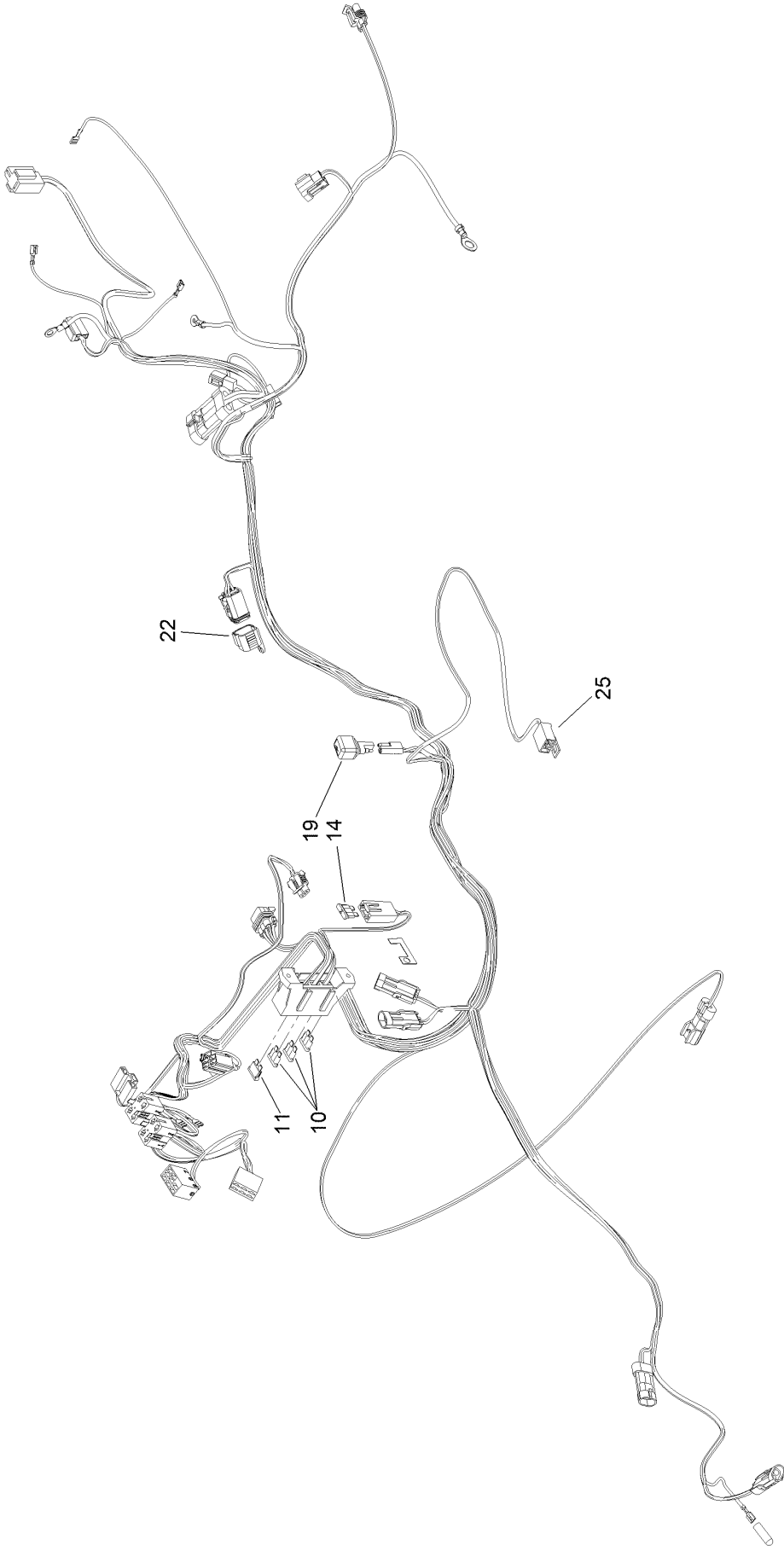
Control Panel Assembly



Control Panel Assembly (continued)

<i>Ref.</i>	<i>Part Number</i>	<i>Qty.</i>	<i>Description</i>	<i>Ref.</i>	<i>Part Number</i>	<i>Qty.</i>	<i>Description</i>
1	32128-32	1	Nut-HHF	16	136-3678	1	Decal-Console
2	3256-22	1	Washer-Flat	17	122-2738	1	Harness-Wire, Main
3	136-3681-03	1	Panel-Control	18	99-3401	1	Lever-Lock
4	3290-134	4	Screw	19	3290-477	1	Washer-Curved
5	32128-43	5	Nut-Flange	20	63-3410	1	Screw-Shoulder
6	3234-1	5	Screw-HHF	21	32144-10	1	Screw-HWH
7	321-8	3	Screw-HH	22	98-7611	1	Controller-Glow
8	138-1224	1	Cable-Throttle	26	3290-148	4	Nut-HF
9	104-0421	1	Plate-Stop, Throttle	27	100-8071	1	Lamp-Warning
10	120-2244	1	Hourmeter	28	106-9277	1	Module-Control, Standard
12	100-8070	1	Lamp-Warning	29	32128-33	3	Nut-HF
13	104-2541	1	Ignition Switch ASM	30	104-4875	1	Harness-Wire, Jumper
13:1	218-461	1	Nut-HH	31	3290-379	1	Tie-Cable
13:2	3254-5	1	Washer-Lock	36	2410-64	1	Plug-Dome
14	63-8360	1	Key-Ignition	37	121-3598	1	Decal-Danger, 17 Degree
15	93-9999	1	Switch-PTO				

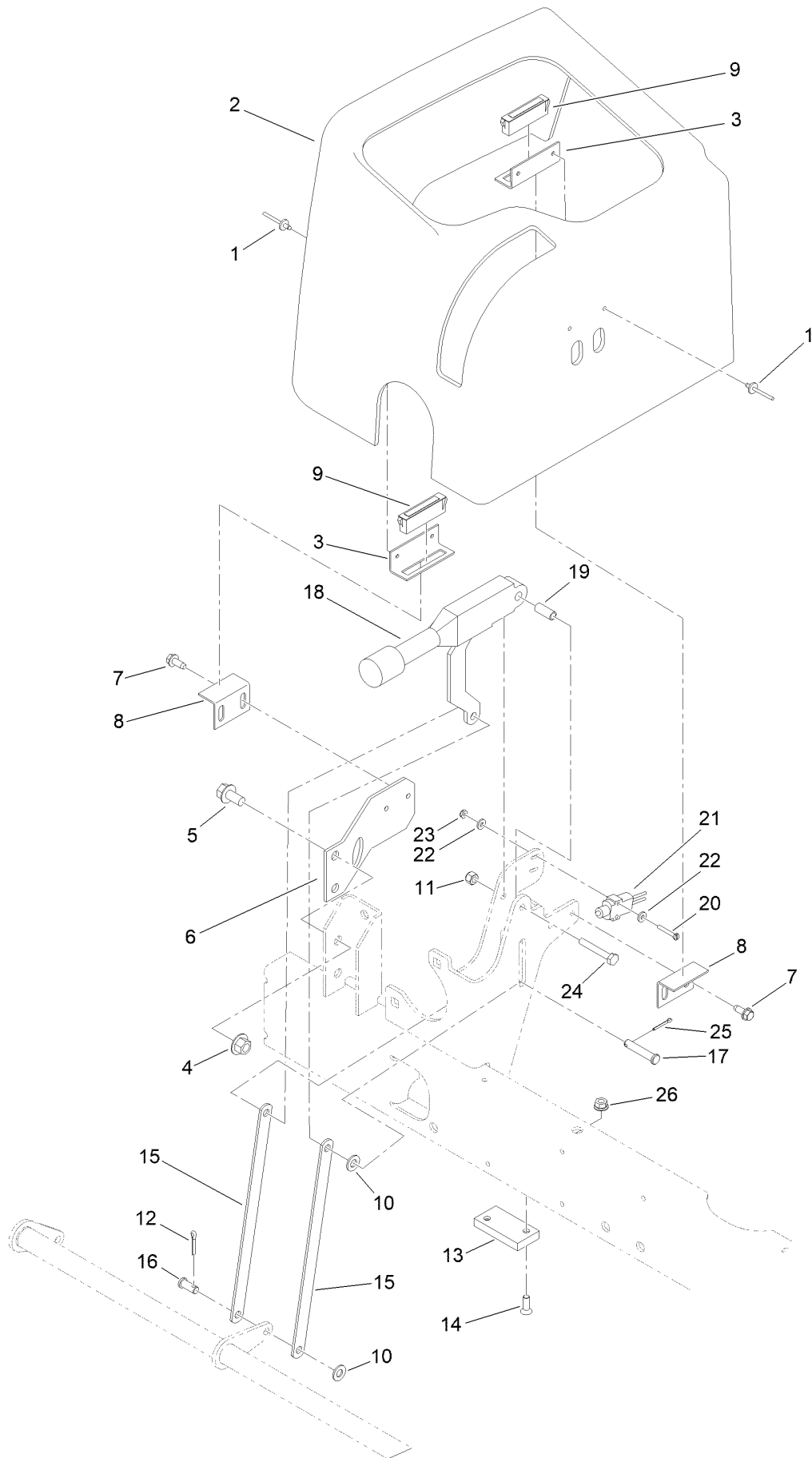
Wire Harness Assembly No. 122-2738



Wire Harness Assembly No. 122-2738 (continued)

<i>Ref.</i>	<i>Part Number</i>	<i>Qty.</i>	<i>Description</i>	<i>Ref.</i>	<i>Part Number</i>	<i>Qty.</i>	<i>Description</i>
10	218-578	3	Fuse-Blade, 10 Amp	19	100-4918	1	Diode
11	109355	1	Fuse-Blade, 15 Amp	22	32180-156	1	Cap-Plug, 6 Way
14	94-6710	1	Fuse-2 Amp	25	122-2708	1	Harness-Wire, Seat Switch

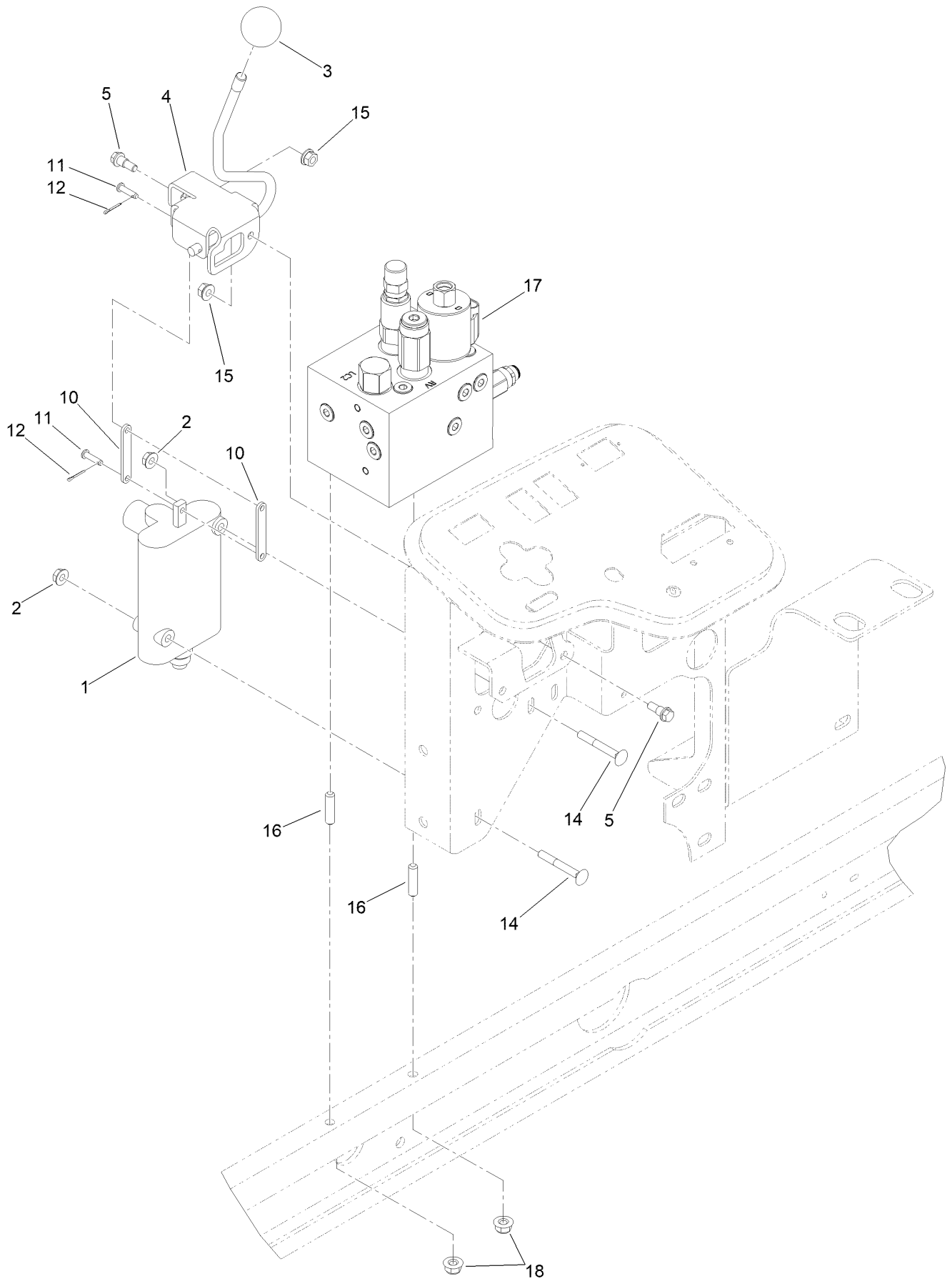
Parking Brake and Dash Cover Assembly



Parking Brake and Dash Cover Assembly (continued)

<i>Ref.</i>	<i>Part Number</i>	<i>Qty.</i>	<i>Description</i>	<i>Ref.</i>	<i>Part Number</i>	<i>Qty.</i>	<i>Description</i>
1	3269-5	4	Rivet-Pop	14	3289-4	2	Screw-FH
2	95-8707	1	Cover-Dash	15	104-4628	2	Link-Brake, Parking
3	95-8763	2	Bracket-Hold Down, Cover	16	283-62	1	Pin-Clevis
4	32128-43	2	Nut-Flange	17	94-3829	1	Pin-Clevis
5	3234-1	2	Screw-HHF	18	104-4817	1	Lever-Brake
6	95-8764-0P	1	Support-Magnet	19	87-4710	1	Spacer-Brake, Parking
7	32144-10	4	Screw-HWH	20	32105-9	2	Screw-HH
8	95-8765	2	Bracket-Strike, Magnet	21	95-8900	1	Switch
9	58-4250	2	Catch-Magnetic	22	3256-21	4	Washer-Flat
10	3256-23	2	Washer-Plain	23	3296-9	2	Nut-Hex
11	3296-42	1	Nut-Lock, NI	24	321-10	1	Screw-HH
12	3272-10	1	Pin-Cotter	25	3272-6	1	Pin-Cotter
13	95-8684	1	Pad-Bumper	26	104-7201	2	Nut-HF, NI

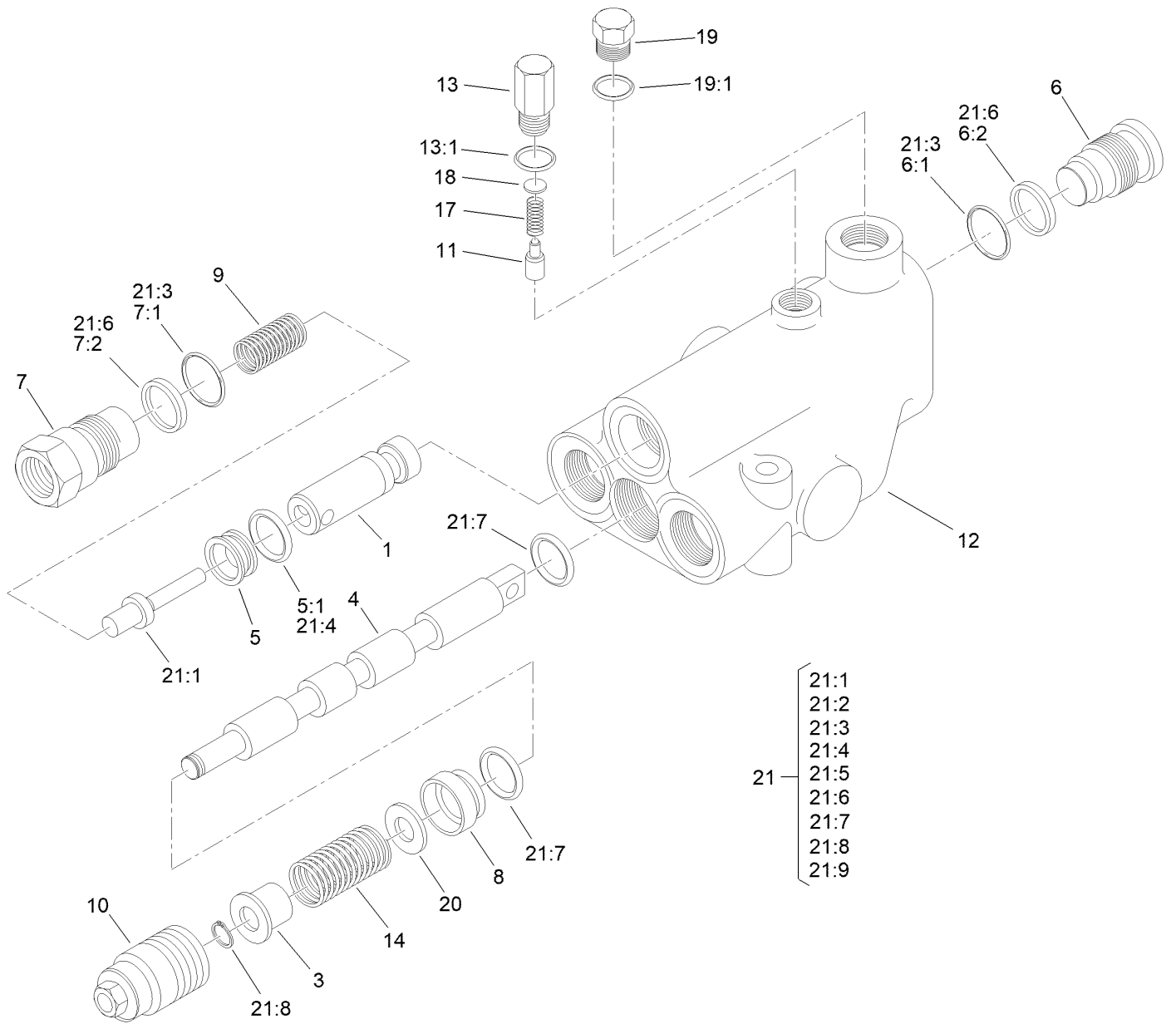
Control Valve Assembly



Control Valve Assembly (continued)

<i>Ref.</i>	<i>Part Number</i>	<i>Qty.</i>	<i>Description</i>	<i>Ref.</i>	<i>Part Number</i>	<i>Qty.</i>	<i>Description</i>
1	95-8689	1	Single Spool Control Valve ASM	11	283-16	2	Pin-Clevis
2	32128-33	2	Nut-HF	12	3272-1	2	Pin-Cotter
3	233-42	1	Knob	14	3230-33	2	Screw-CARR
4	95-8692	1	Lever ASM	15	32128-32	2	Nut-HHF
5	42-3560	2	Bolt-Shoulder	16	104-0430	2	Stud
10	95-8634	2	Link	17	145-5279	1	Manifold ASM
				18	119-4041	2	Nut-HF

Single Spool Control Valve Assembly No. 95-8689

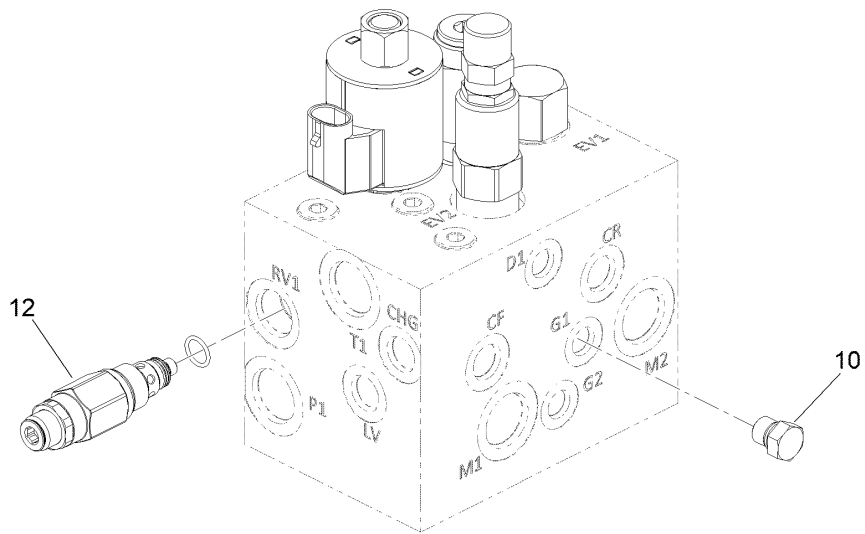
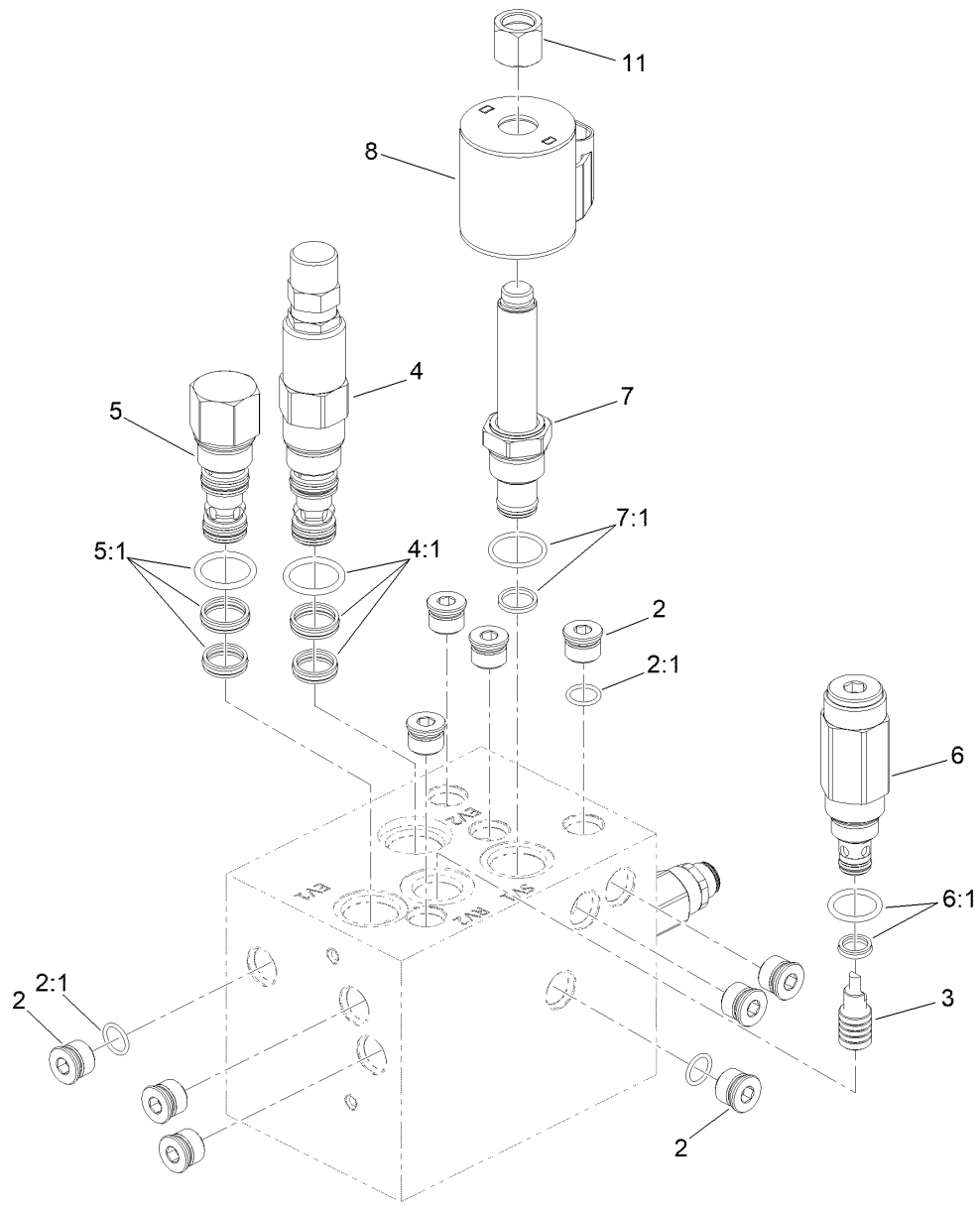


Single Spool Control Valve Assembly No. 95-8689 (continued)

<i>Ref.</i>	<i>Part Number</i>	<i>Qty.</i>	<i>Description</i>	<i>Ref.</i>	<i>Part Number</i>	<i>Qty.</i>	<i>Description</i>
1	99-3586	1	Plunger	13:1	60-6410	1	O-Ring
3	58-6310	1	Spacer	14	99-3531	1	Spring
4		1	Spool ●	17	99-3587	1	Spring
5	58-6330	1	Seat	18	60-6450	1	Disc
5:1	58-6340	1	O-Ring	19	353-989	1	Plug-Hex, Hollow
6	58-6350	1	Plug	19:1	237-42	1	O-Ring
6:1	60-5720	1	O-Ring	20	65-2770	1	Washer
6:2	58-6370	1	Washer	21	99-3589	1	Seal Kit
7	69-1800	1	Plug ASM	21:1	58-6290	2	Poppet
7:1	60-5720	1	O-Ring	21:2	58-6320	1	Wiper
7:2	58-6370	1	Washer	21:3	60-5720	2	O-Ring
8	58-6400	1	Bushing	21:4	58-6340	2	O-Ring
9	69-1810	1	Spring	21:5	93-6314	1	O-Ring
10	58-6420	1	Cap	21:6	58-6370	2	Washer
11	99-3585	1	Detent-Plunger	21:7	58-6450	2	O-Ring
12		1	Body ●	21:8	58-6460	1	Ring-Retaining
13	99-3588	1	Plug ASM	21:9		1	O-Ring ●

● Not serviced separately

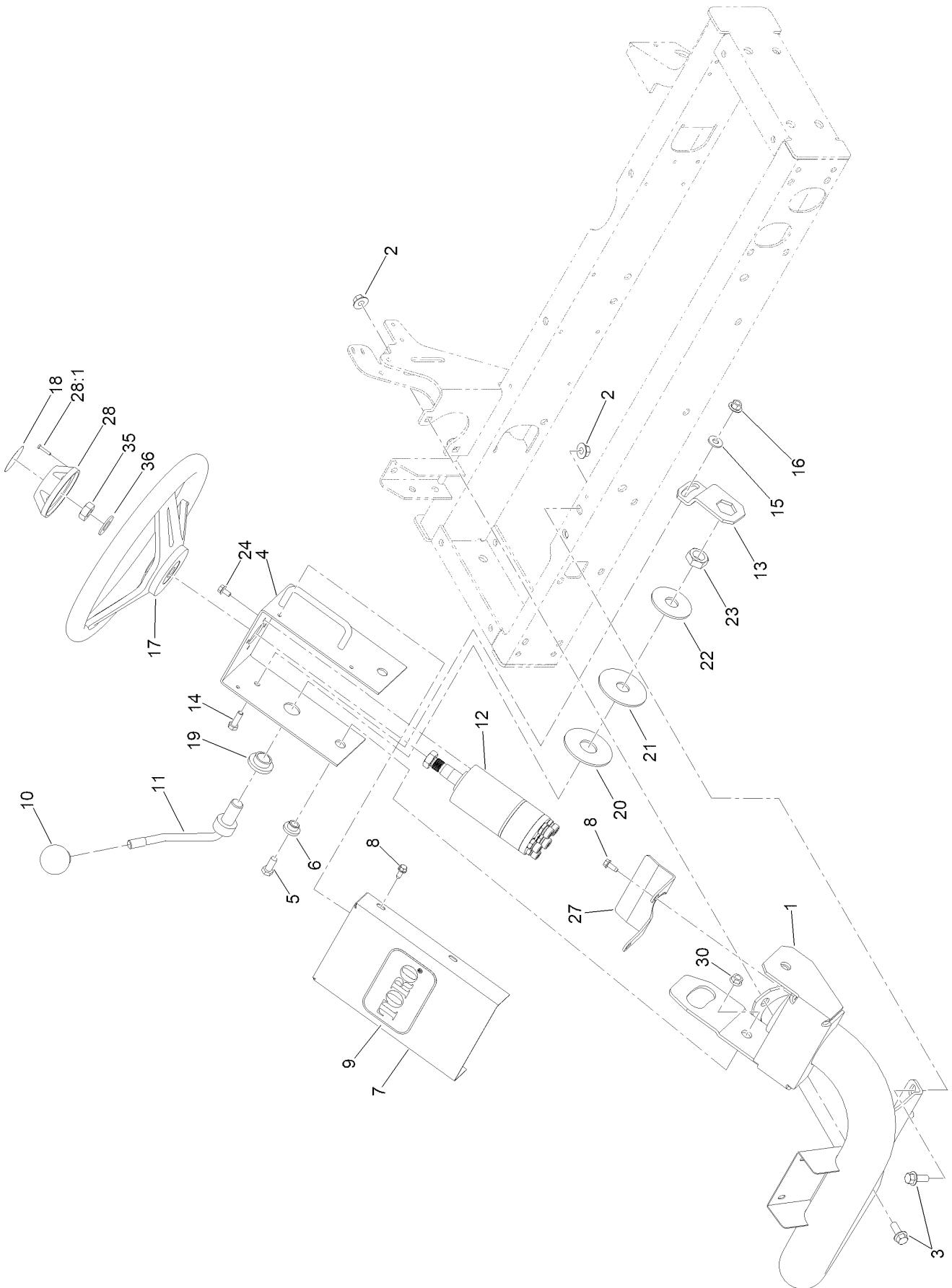
Hydraulic Manifold Assembly No. 145-5279



Hydraulic Manifold Assembly No. 145-5279 (continued)

<i>Ref.</i>	<i>Part Number</i>	<i>Qty.</i>	<i>Description</i>	<i>Ref.</i>	<i>Part Number</i>	<i>Qty.</i>	<i>Description</i>
2	353-512	9	Plug	6:1	105-9156	1	Seal Kit
2:1	237-78	1	O-Ring	7	105-9158	1	Valve-Solenoid, N.O.
3	105-9157	1	Piston-Pilot	7:1	105-9159	1	Seal Kit
4	119-2011	1	Valve-Logic, Adjustable	8	110-6344	1	Coil-12V, DC
4:1	119-2159	1	Seal Kit	10	117-0115	1	Plug
5	105-9153	1	Element-Logic, Vented	11	130-8180	1	Nut-Coil (9/16-24 Unef-2B)
5:1	119-2159	1	Seal Kit	12	147-2453	1	Valve-Relief
6	112-5259	1	Valve-Relief				

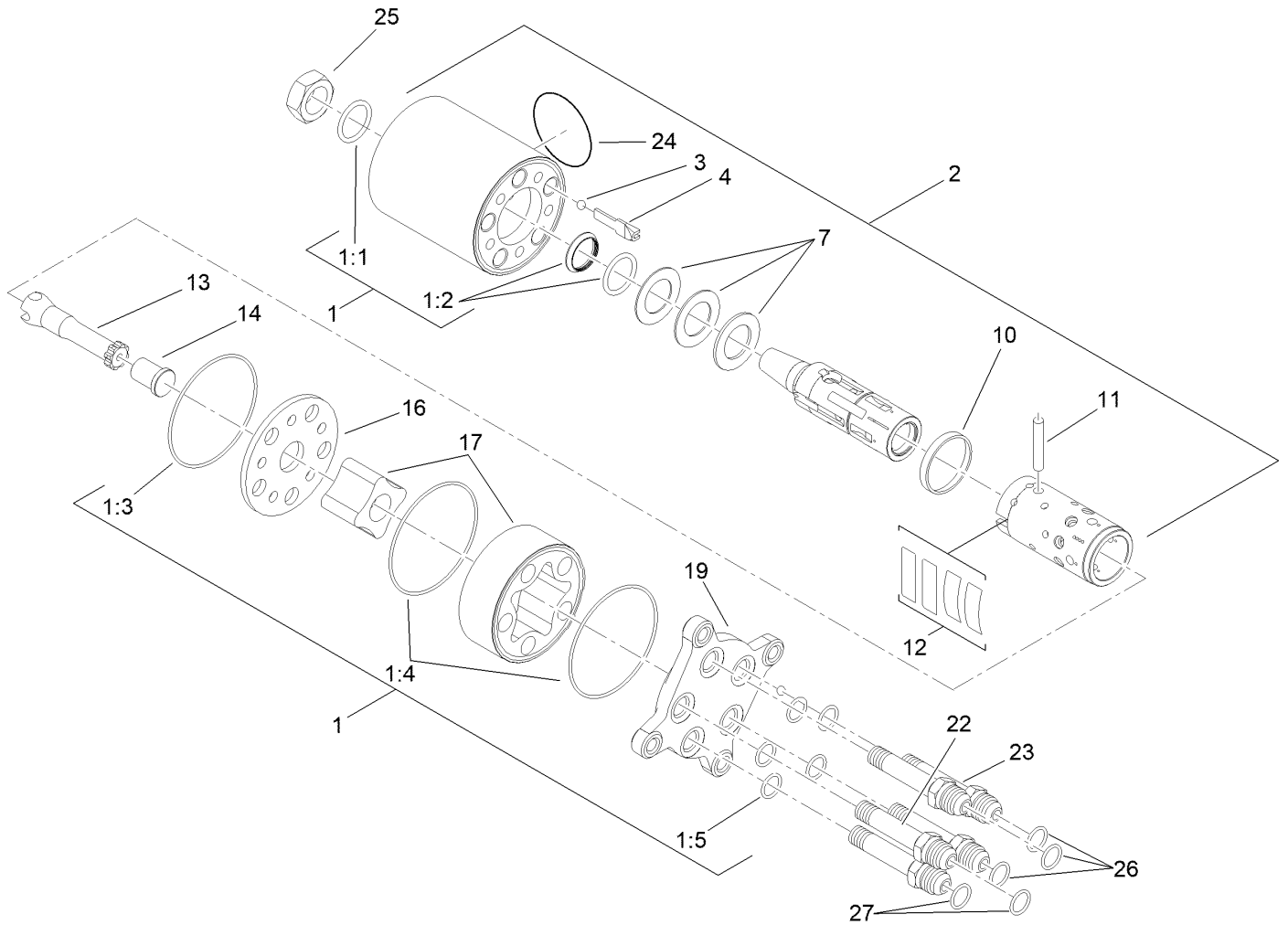
Steering Column Assembly



Steering Column Assembly (continued)

<i>Ref.</i>	<i>Part Number</i>	<i>Qty.</i>	<i>Description</i>	<i>Ref.</i>	<i>Part Number</i>	<i>Qty.</i>	<i>Description</i>
1	105-8536-01	1	Arm-Steering	16	32128-44	1	Nut
2	32128-43	4	Nut-Flange	17	145-0051	1	Steering Wheel
3	3234-11	4	Screw-HHF	18	68-5370	1	Decal
4	120-2190-01	1	Bracket-Valve	19	99-3502	1	Boss
5	323-5	2	Screw-HH	20	31-0390	1	Disc-Friction
6	93-5988	2	Hub-Pivot	21	82-9010	1	Disc-Friction
7	95-8794-01	1	Cover-Valve, Steering	22	80-2930	1	Washer-Flat
8	32144-10	5	Screw-HWH	23	3218-7	1	Nut-Jam
9	67-1300	1	Decal	24	33103-012	4	Screw-HHF
10	233-48	1	Knob	27	99-3405-01	1	Shield-Steering
11	95-8798-03	1	Lever-Steering	28	68-5140	1	Cap-Wheel, Steering
12	121-7856	1	Steering Valve ASM	28:1	32144-21	1	Screw
13	80-2880	1	Bracket-Tilt	30	32128-21	2	Nut-HF Lock
14	322-5	1	Screw-HH	35	3296-33	1	Nut-Lock, NI
15	3256-3	1	Washer-Flat	36	3256-27	1	Washer-Flat

Steering Valve Assembly No. 121-7856

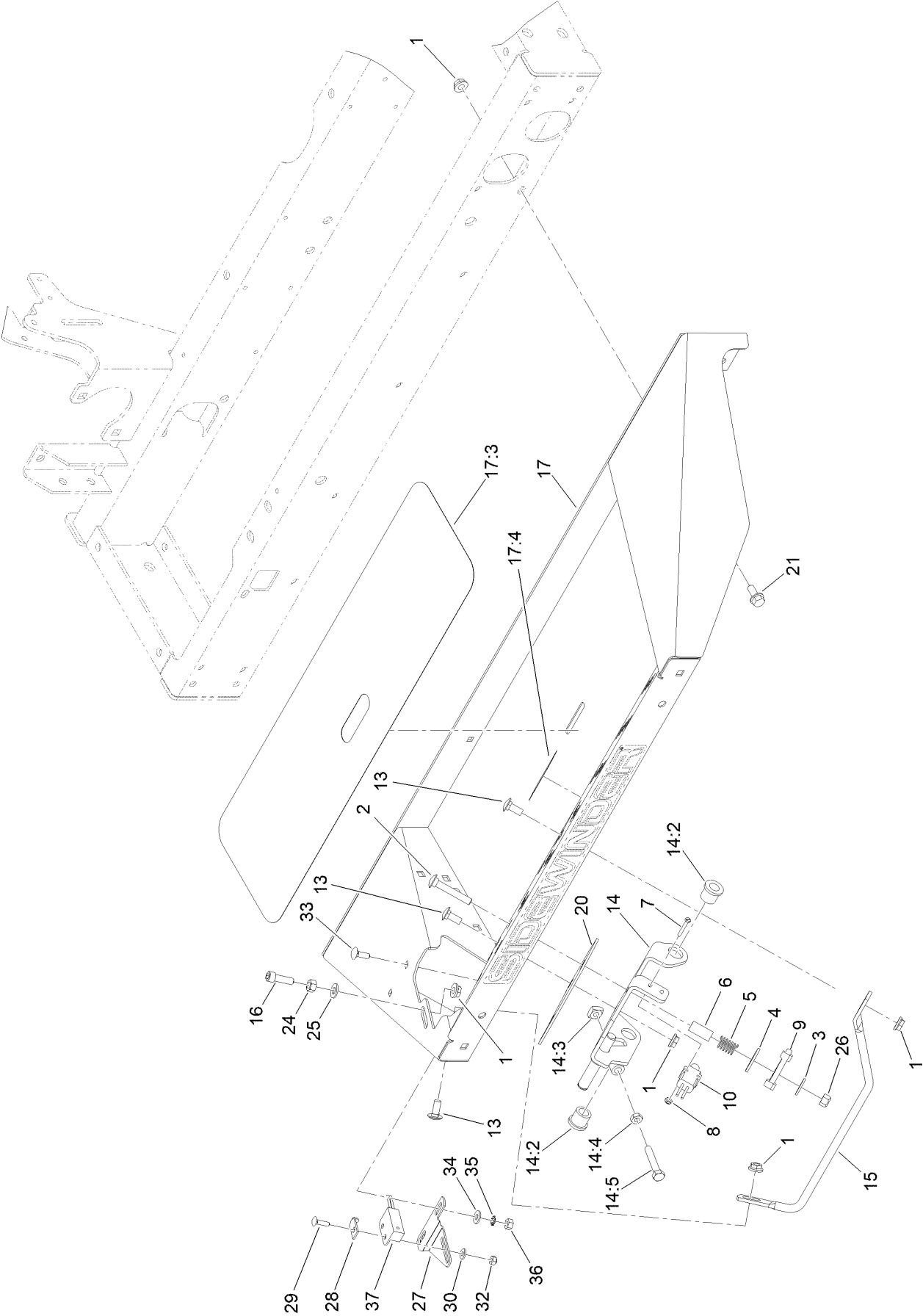


Steering Valve Assembly No. 121-7856 (continued)

<i>Ref.</i>	<i>Part Number</i>	<i>Qty.</i>	<i>Description</i>	<i>Ref.</i>	<i>Part Number</i>	<i>Qty.</i>	<i>Description</i>
1	106-6716	1	Seal Kit	12		1	Springs ●
1:1		1	Ring-Seal, Dust ●	13		1	Shaft ●
1:2		1	Seal-Shaft ●	14		1	Spacer ●
1:3		1	O-Ring ●	16		1	Plate-Distributor ●
1:4		2	O-Ring ●	17		1	Gearwheel Set ●
1:5		5	O-Ring ●	19		1	Cover-End ●
2		1	Housing ●	22		1	Screw-Special ●
3		1	Ball ●	23		4	Screw-Special ●
4		1	Stop-Ball ●	24		1	Plate-Name ●
7		1	Bearing ASM ●	25	3296-33	1	Nut-Lock, NI
10		1	Ring ●	26	237-22	3	O-Ring
11		1	Pin-Cross ●	27	237-21	2	O-Ring

● Not serviced separately

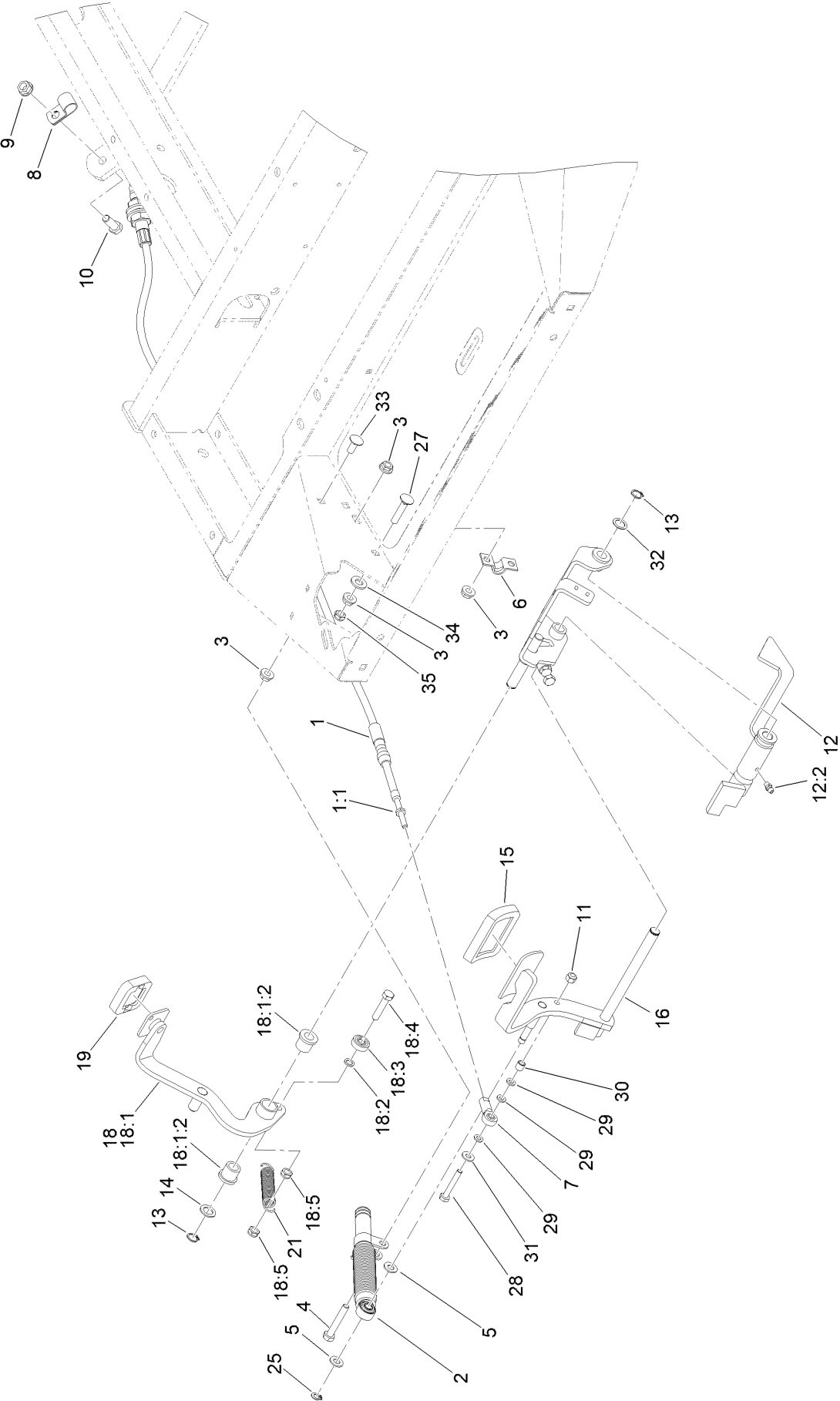
Front Platform Assembly



Front Platform Assembly (continued)

<i>Ref.</i>	<i>Part Number</i>	<i>Qty.</i>	<i>Description</i>	<i>Ref.</i>	<i>Part Number</i>	<i>Qty.</i>	<i>Description</i>
1	32128-20	15	Nut-HF	17	106-4154	1	Floorplate ASM
2	3230-6	1	Bolt-CARR	17:3	99-3478	1	Tread-Foot
3	3256-3	1	Washer-Flat	17:4	99-3444	1	Decal-Mow/Transport
4	87-7270	1	Washer-Thrust	20	106-2661-0P	1	Plate-Support
5	65-9940	1	Spring	21	3234-5	10	Screw-HHF
6	95-8866	1	Tube-Arm, Rocker	24	3217-6	1	Nut-Hex
7	32105-9	2	Screw-HH	25	3256-23	1	Washer-Plain
8	3296-9	2	Nut-Hex	26	3296-29	1	Nut-Lock, NI
9	99-3593	1	Arm-Rocker	27	100-4871	1	Bracket-Switch, Neutral
10	95-8900	1	Switch	28	100-4872	1	Plate-Switch, Neutral
13	137-3061	4	Bolt-CARR	29	3229-20	1	Screw-CARR
14	140-6253	1	Traction Bracket ASM	30	3256-14	1	Washer-Flat
14:2	256-243	2	Bearing-Flange	32	3296-2	1	Nut-Lock, NI
14:3	99-3565	1	Nut-Square	33	3229-1	2	Screw-CARR
14:4	3218-2	1	Nut-Hex Jam	34	3256-22	2	Washer-Flat
14:5	322-41	1	Bolt-Hex, TAP	35	3255-7	2	Washer-Lock/EXT
15	95-8893	1	Bar-Deflector	36	3217-5	2	Nut-Hex
16	3274-22	1	Screw-HSH	37	100-1270	1	Sensor-Switch, Proximity

Traction Pedal Assembly

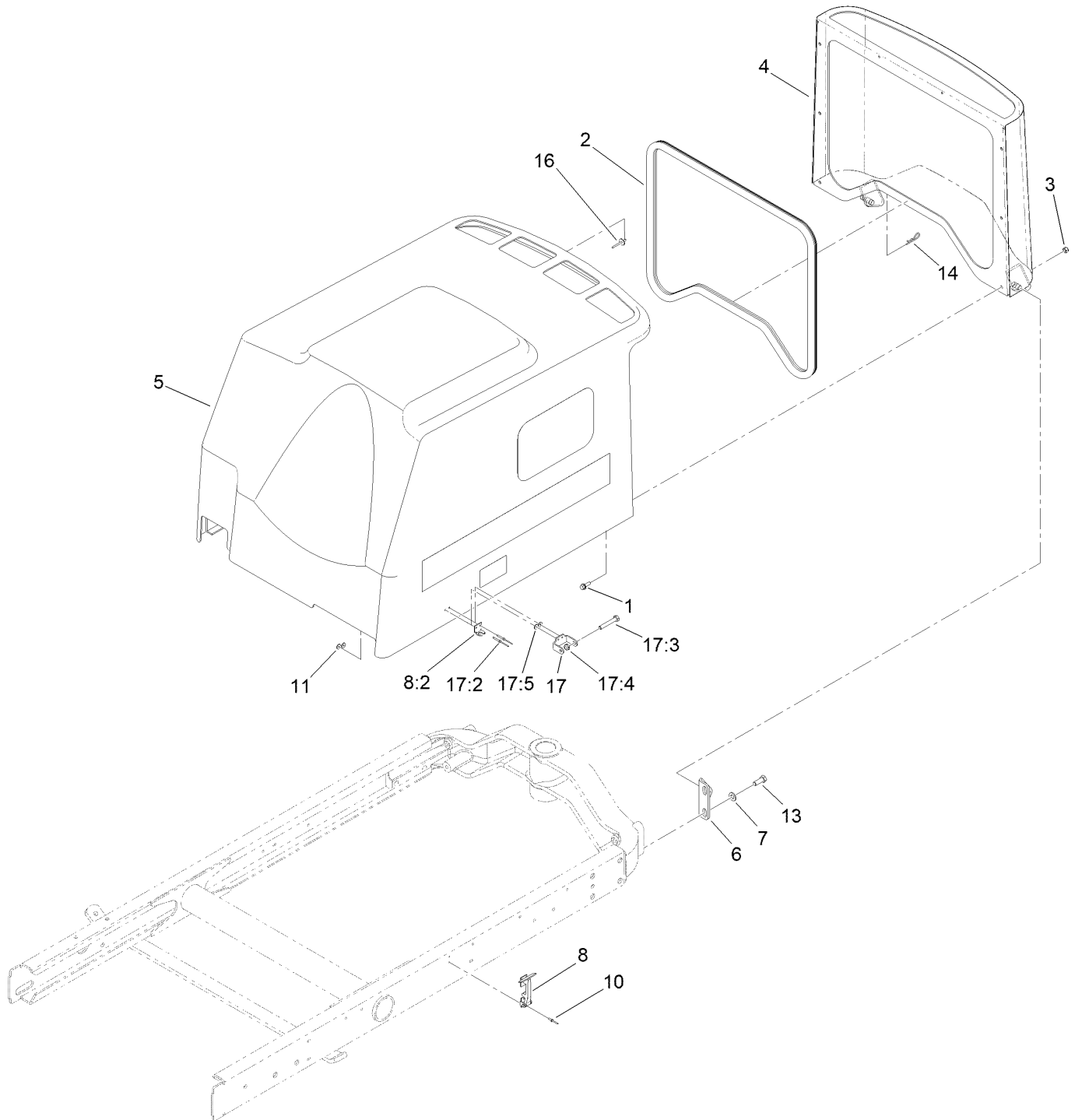


Traction Pedal Assembly (continued)

<i>Ref.</i>	<i>Part Number</i>	<i>Qty.</i>	<i>Description</i>	<i>Ref.</i>	<i>Part Number</i>	<i>Qty.</i>	<i>Description</i>
1	100-4815	1	Cable-Control, Traction	18:1		1	Reverse Pedal ASM
1:1	3220-1	2	Nut-Jam				W/Bushings ●
2	140-6248	1	Damper	18:1:2	256-243	2	Bearing-Flange
3	32128-20	5	Nut-HF	18:2	75-5470	1	Spacer-Bearing
4	322-10	1	Screw-HH	18:3	251-259	1	Bearing-Ball
5	3256-23	2	Washer-Plain	18:4	322-7	1	Screw-HH
6	93-2092	1	Clamp-Cable	18:5	3296-47	2	Nut-Lock,NI
7	2411-41	1	Rod End-Ball Joint	19	74-9110	1	Pad-Pedal, Reverse
8	2412-41	1	Clamp-R	21	99-3476	1	Spring-Extension
9	3290-357	1	Nut-HSF	25	32151-3	1	Ring-Grip
10	323-6	1	Screw-HH	27	3230-27	1	Screw-CARR
11	3296-42	1	Nut-Lock, NI	28	321-10	1	Screw-HH
12	140-6255	1	Detent Slider ASM	29	33093-00	3	Washer-Flat
12:2	302-5	1	Fitting-Grease	30	99-3545	1	Spacer
13	32151-84	2	Ring-Shaft, EXT	31	3256-22	1	Washer-Flat
14	41-8440	1	Washer	32	73-0040	4	Washer-Thrust
15	74-9100	1	Pad-Pedal, Forward	33	137-3061	2	Bolt-CARR
16	140-6263	1	Traction Pedal ASM	34	3256-24	1	Washer-Plain
18	140-6251	1	Reverse Pedal ASM	35	3296-47	1	Nut-Lock,NI

● Not serviced separately

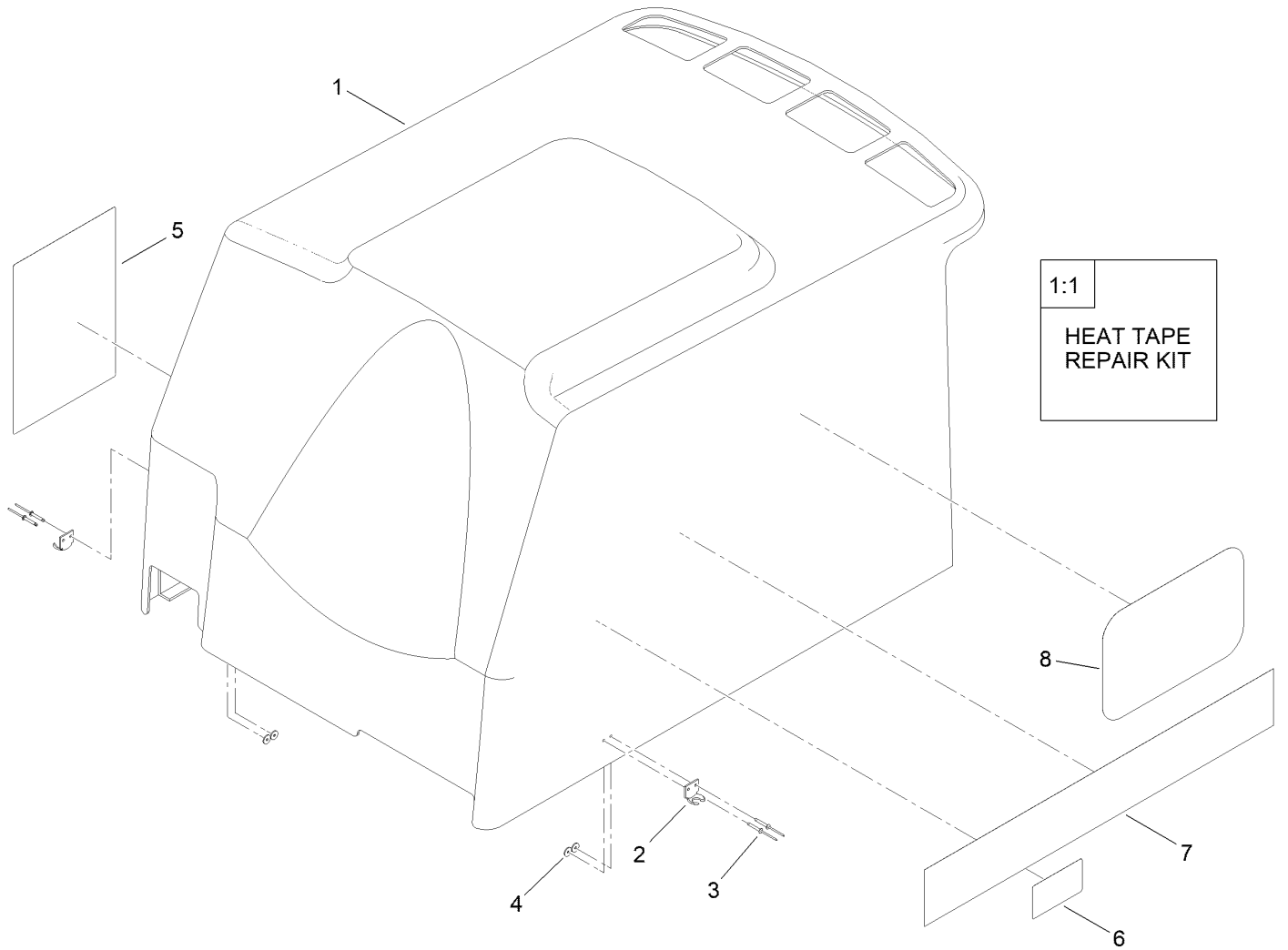
Hood Assembly



Hood Assembly (continued)

<i>Ref.</i>	<i>Part Number</i>	<i>Qty.</i>	<i>Description</i>	<i>Ref.</i>	<i>Part Number</i>	<i>Qty.</i>	<i>Description</i>
1	3234-4	6	Screw-HHF	11	3269-10	4	Washer-Back
2	100-4932	1	Trim-Seal	13	323-6	4	Screw-HH
3	3296-42	6	Nut-Lock, NI	14	3290-467	1	Pin-Hair
4	104-4853-03	1	Screen-Hood	16	3269-21	2	Rivet-Pop
5	147-6050	1	Hood ASM W/Decals	17	119-2004	1	CE Latch Kit
6	95-8728	2	Bracket-Pivot, Hood	17:2	107-0333	2	Rivet-Pop
7	3256-24	4	Washer-Plain	17:3	322-10	1	Screw-HH
8	59-9740	2	Flex Draw Latch ASM	17:4	3296-47	1	Nut-Lock,NI
8:2	249-40	1	Keeper	17:5	3269-10	2	Washer-Back
10	3290-55	4	Rivet-Pop				

Hood Assembly No. 147-6050



Hood Assembly No. 147-6050 (continued)

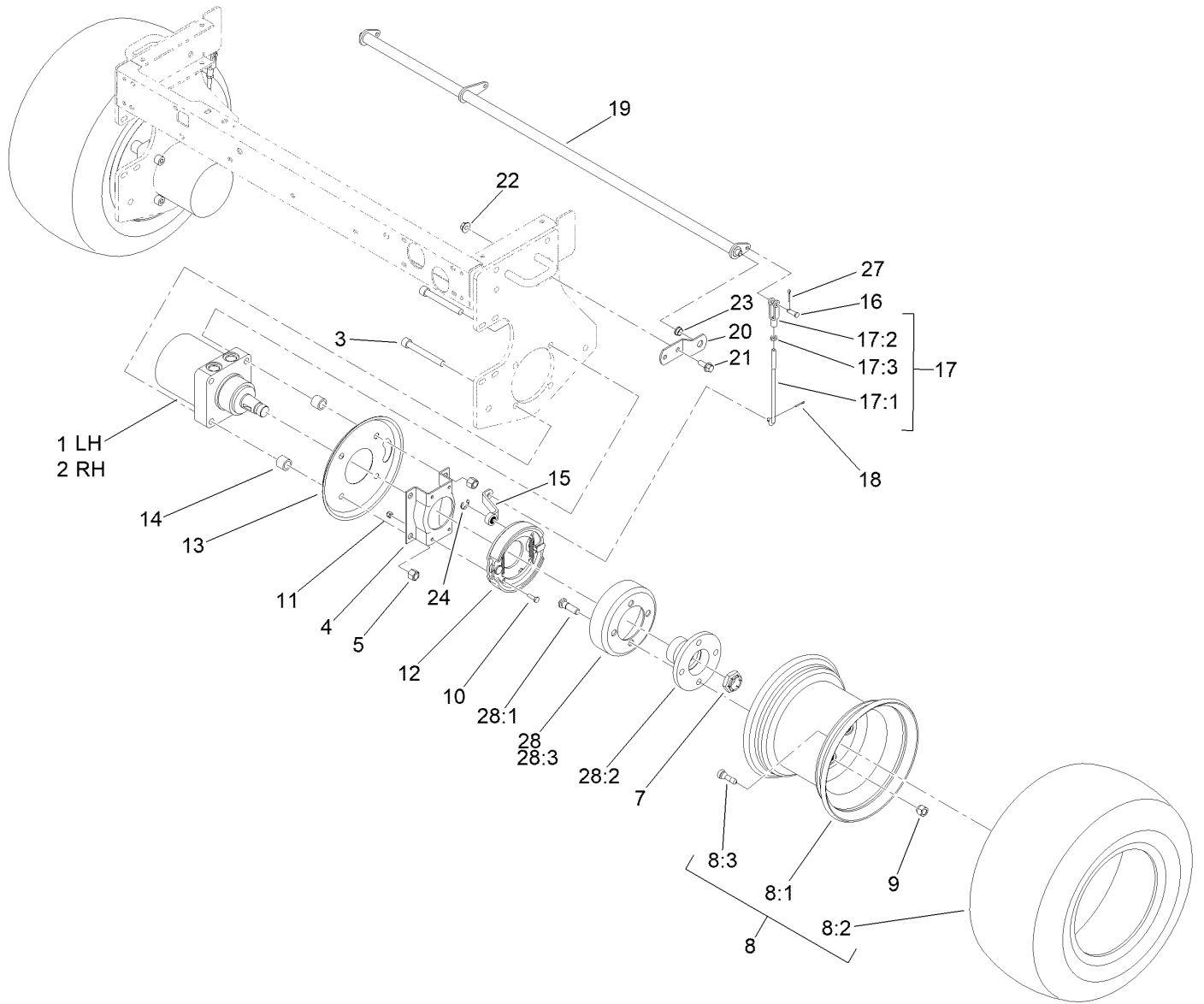
<i>Ref.</i>	<i>Part Number</i>	<i>Qty.</i>	<i>Description</i>
1		1	Hood ■
1:1	106-8115	1	Heat Tape Repair Kit ●
2	249-40	2	Keeper
3	107-0333	4	Rivet-Pop
4	3269-10	4	Washer-Back

<i>Ref.</i>	<i>Part Number</i>	<i>Qty.</i>	<i>Description</i>
5	136-3713	1	Decal-Service
6	117-3270	1	Decal-Danger
7	108-9007	2	Decal-Hood
8	66-6140	2	Decal

● Not illustrated

■ Not serviced separately

Front Wheel and Brake Assembly



Front Wheel and Brake Assembly (continued)

<i>Ref.</i>	<i>Part Number</i>	<i>Qty.</i>	<i>Description</i>	<i>Ref.</i>	<i>Part Number</i>	<i>Qty.</i>	<i>Description</i>
1	110-8785	1	HYD Motor ASM (CCW)	16	283-1	2	Pin-Clevis
2	110-8786	1	HYD Motor ASM (CW)	17	115-6672	2	Brake Lever ASM
3	3274-99	8	Screw-HSH	17:1	104-4627	1	Rod-Adjusting
4	147-3595	2	Bracket-Brake	17:2	1-303105	1	Yoke-Adjustable
5	3296-23	8	Nut-Lock, NI	17:3	3220-2	1	Nut-Hex Jam
7	116-1399	2	Locknut	18	3272-6	2	Pin-Cotter
8	121-3551	2	Tire And Rim ASM	19	104-4625-03	1	Shaft-Pivot, Brake
8:1	121-3550	1	Rim	20	95-8683	2	Bracket-Pivot, Brake
8:2	115-1572	1	Tire	21	3234-11	4	Screw-HHF
8:3	232-27	1	Stem-Valve	22	32128-43	4	Nut-Flange
9	139-2564	8	Nut-Lug	23	256-156	2	Bushing-Flange
10	321-5	8	Screw-HH	24	104-7706	2	E-Ring, Bowed
11	3296-42	8	Nut-Lock, NI	27	3272-10	2	Pin-Cotter
12	104-7705	2	Brake ASM	28	17-8149	2	Wheel Hub ASM
13	104-0485-0P	2	Shield-Wheel	28:1	85-6540	4	Stud-Drive
14	119-8238	8	Spacer-Deck Pulley	28:2	93-6838	1	Hub-Wheel
15	114-2726	2	Lever-Brake	28:3	10-6850	1	Drum-Brake

Hydraulic Motor Assembly No. 110-8785 (continued)

<i>Ref.</i>	<i>Part Number</i>	<i>Qty.</i>	<i>Description</i>	<i>Ref.</i>	<i>Part Number</i>	<i>Qty.</i>	<i>Description</i>
1	3257-42	1	Key-Woodruff	3:3		1	Seal-Shaft ●
2	99-3090	1	Shaft-Coupling	3:4		5	Seal-Ring ●
3	100-6131	1	Seal Kit	3:5		1	Seal-Commutator ●
3:1		1	Ring-Back Up ●	3:6		1	Seal-Dirt And Water ●
3:2		1	Washer-Back Up ●				

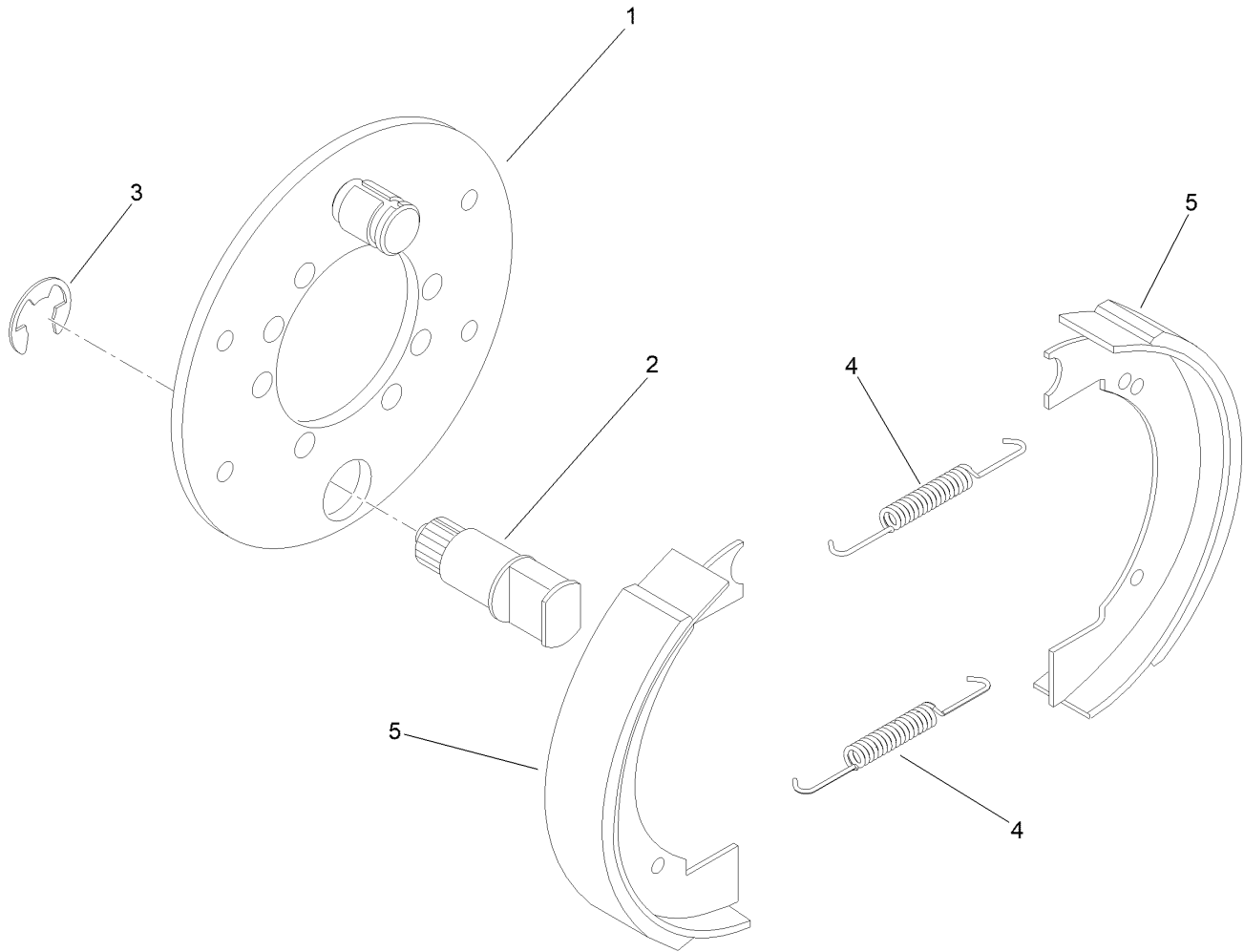
● Not serviced separately

Hydraulic Motor Assembly No. 110-8786 (continued)

<i>Ref.</i>	<i>Part Number</i>	<i>Qty.</i>	<i>Description</i>	<i>Ref.</i>	<i>Part Number</i>	<i>Qty.</i>	<i>Description</i>
1	3257-42	1	Key-Woodruff	3:3		1	Seal-Shaft ●
2	99-3090	1	Shaft-Coupling	3:4		5	Seal-Ring ●
3	100-6131	1	Seal Kit	3:5		1	Seal-Commutator ●
3:1		1	Ring-Back Up ●	3:6		1	Seal-Dirt And Water ●
3:2		1	Washer-Back Up ●				

● Not serviced separately

Brake Assembly No. 104-7705

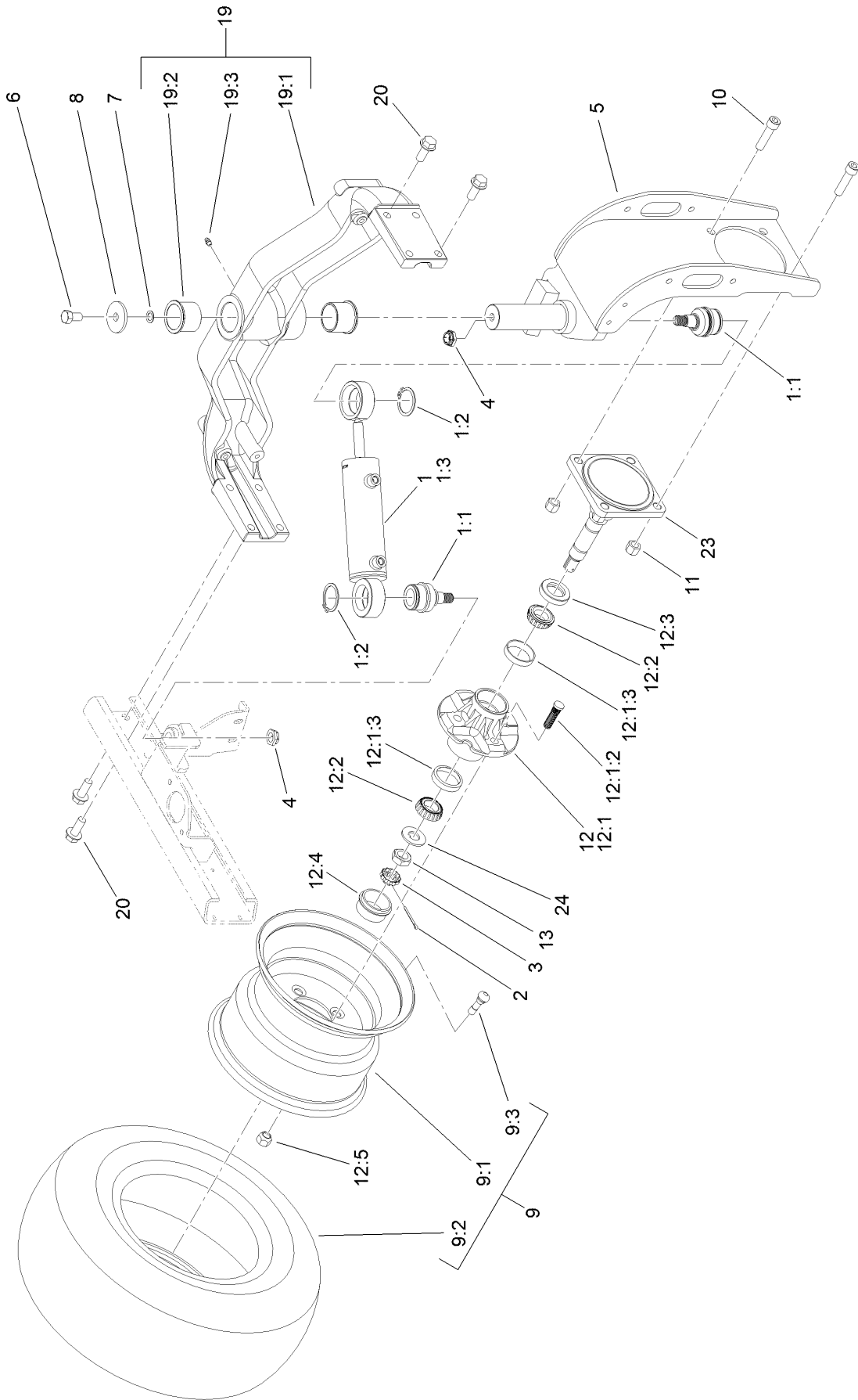


Brake Assembly No. 104-7705 (continued)

<i>Ref.</i>	<i>Part Number</i>	<i>Qty.</i>	<i>Description</i>
1	70-9870	1	Plate-Backing
2	104-7707	1	Shaft-Cam, Brake
3	104-7706	1	E-Ring, Bowed

<i>Ref.</i>	<i>Part Number</i>	<i>Qty.</i>	<i>Description</i>
4	70-9880	2	Spring-Return
5	70-9840	2	Shoe-Brake

Rear Fork and Tire Assembly

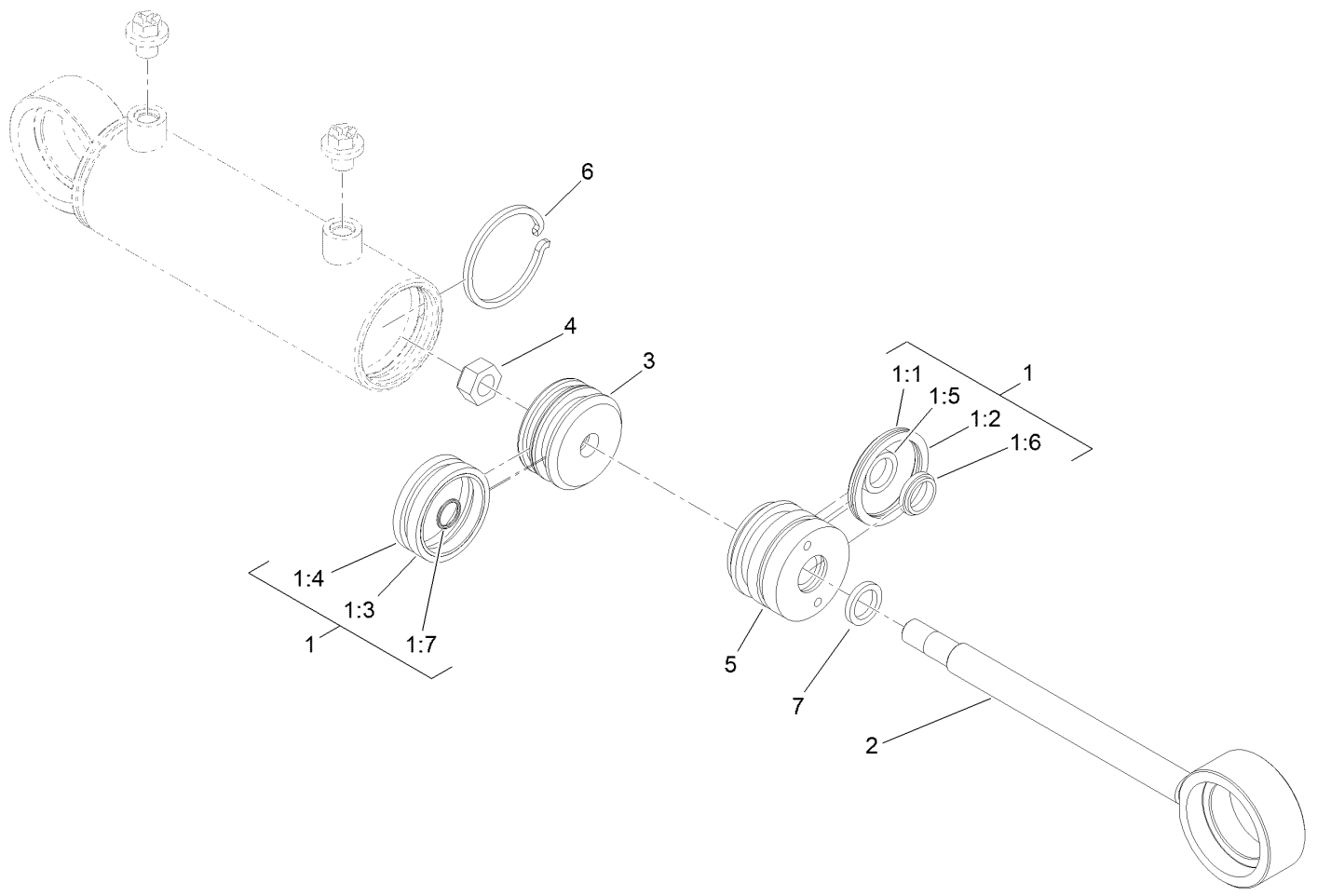


Rear Fork and Tire Assembly (continued)

<i>Ref.</i>	<i>Part Number</i>	<i>Qty.</i>	<i>Description</i>	<i>Ref.</i>	<i>Part Number</i>	<i>Qty.</i>	<i>Description</i>
1		1	Steering Cylinder ASM ●	12	117-5115	1	Hub And Bearing ASM
1:1	121-3605	2	Ball Joint	12:1	117-8251	1	Hub ASM
1:2	32151-104	2	Ring-Retaining, External	12:1:2	114-3918	4	Stud-Wheel
1:3	121-3653	1	Cylinder-HYD	12:1:3	254-72	2	Bearing-Cup, Tapered
2	3272-13	1	Pin-Cotter	12:2	254-94	2	Bearing-Cone, Tapered
3	93-0307	1	Nut-Lock, Retainer	12:3	112-1690	1	Seal-Oil
4	121-3611	2	Nut-Hex, Flextop	12:4	241-119	1	Cap-Dust
5	140-6293-01	1	Fork-Rear	12:5	139-2564	4	Nut-Lug
6	325-3	1	Screw-HH	13	3220-7	1	Nut-Jam
7	3255-2	1	Washer-Lock, EXT	19	127-8576	1	Rear Casting ASM
8	75-7730	1	Washer-Thrust	19:1		1	Casting-Rear ●
9		1	Wheel And Tire ASM ●	19:2	127-8572	2	Bushing-Flange
9:1	117-5129	1	Rim	19:3	302-5	1	Fitting-Grease
9:2	115-1572	1	Tire	20	3234-38	8	Screw-HHF
9:3	232-27	1	Stem-Valve	23	115-6655-03	1	Spindle
10	3274-5	4	Screw-HSH	24	93-0309	1	Washer-Tab
11	3296-23	4	Nut-Lock, NI				

● Not serviced separately

Hydraulic Cylinder Assembly No. 121-3653

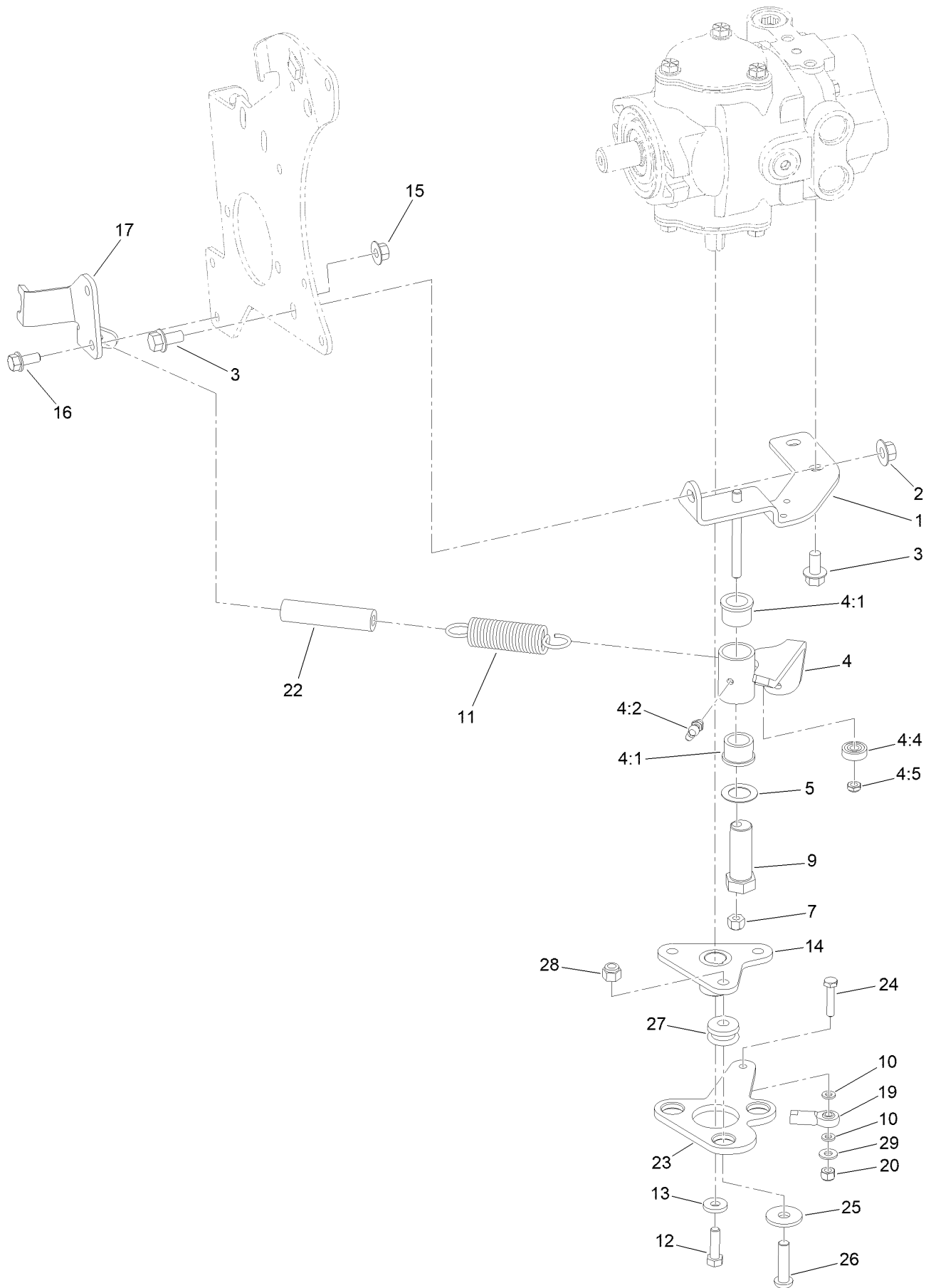


Hydraulic Cylinder Assembly No. 121-3653 (continued)

<i>Ref.</i>	<i>Part Number</i>	<i>Qty.</i>	<i>Description</i>	<i>Ref.</i>	<i>Part Number</i>	<i>Qty.</i>	<i>Description</i>
1	136-3278	1	Seal Kit	1:7		1	O-Ring ●
1:1		1	O-Ring ●	2		1	Rod ●
1:2		1	Backup ●	3		1	Piston ●
1:3		1	Psp Seal ●	4		1	Head ●
1:4		1	Wear Ring ●	5		1	Lock Nut ●
1:5		1	Bt Seal ●	6		1	Retaining Ring ●
1:6		1	Dust Seal ●	7		1	Square O-Ring ●

● Not serviced separately

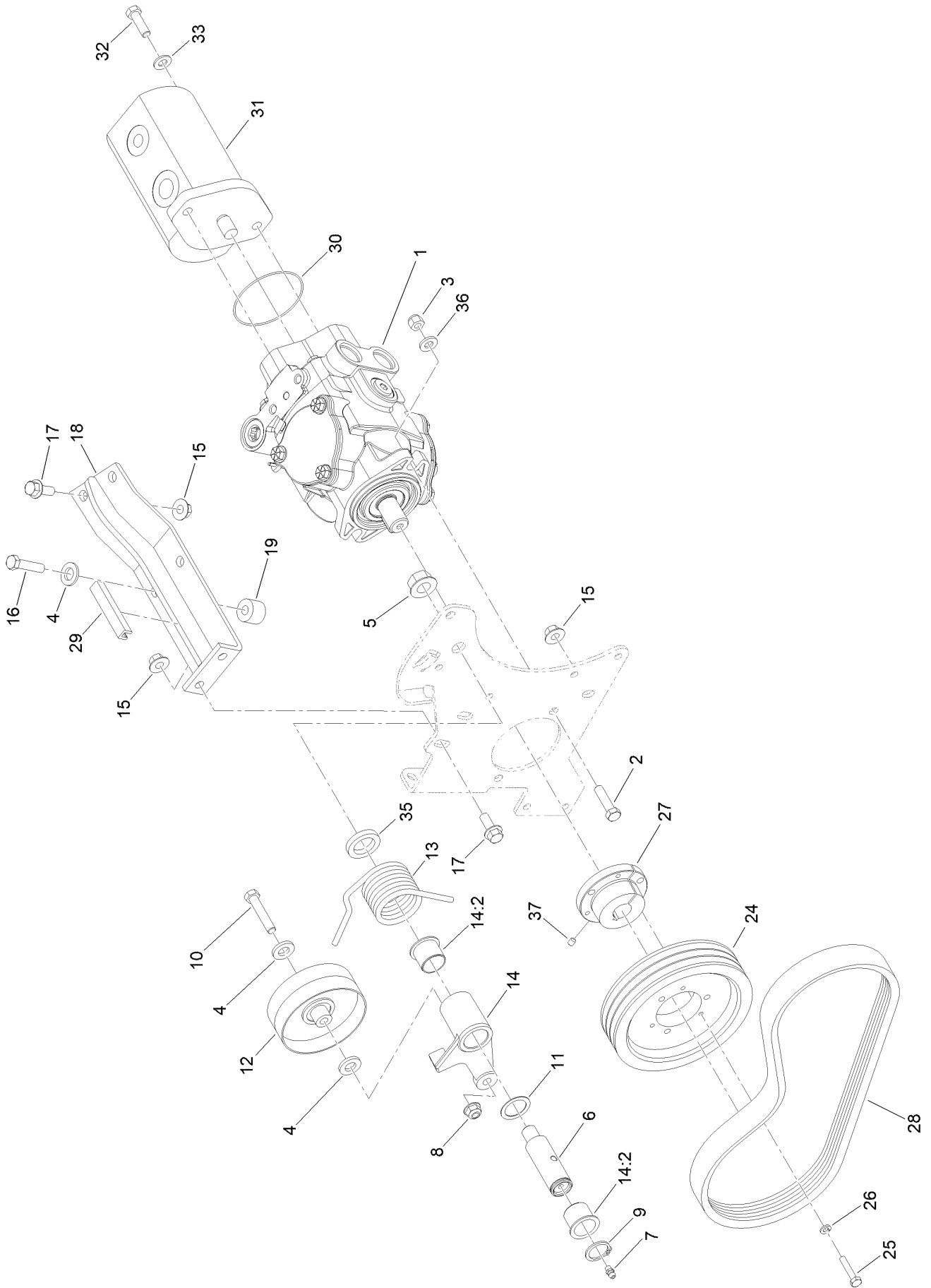
Neutral Arm Assembly



Neutral Arm Assembly (continued)

<i>Ref.</i>	<i>Part Number</i>	<i>Qty.</i>	<i>Description</i>	<i>Ref.</i>	<i>Part Number</i>	<i>Qty.</i>	<i>Description</i>
1	95-8960-0P	1	Bracket-Neutral	14	120-5566	1	Hub
2	32128-43	1	Nut-Flange	15	32128-44	2	Nut
3	3234-1	3	Screw-HHF	16	3234-5	2	Screw-HHF
4	140-6168	1	Neutral Arm ASM	17	104-0464-03	1	Bracket-Support, Cable
4:1	256-113	2	Bushing-Flange	19	2411-41	1	Rod End-Ball Joint
4:2	302-60	1	Fitting-Grease	20	3296-42	1	Nut-Lock, NI
4:4	251-259	1	Bearing-Ball	22	99-3556	1	Hose
4:5	3296-47	1	Nut-Lock,NI	23	99-3594-0P	1	Lever-Pump
5	3-6498	1	Washer-Thrust	24	321-8	1	Screw-HH
7	3296-29	1	Nut-Lock, NI	25	2844	3	Washer
9	76-8640	1	Stud-Traction	26	95-3857	3	Screw-HSBH
10	33093-00	2	Washer-Flat	27	63-9750	3	Mount
11	145-5262	1	Spring-Extension	28	3296-39	3	Nut-Lock, NI
12	3210-6	1	Screw-HH	29	3256-22	1	Washer-Flat
13	88-7200	1	Washer-Flat				

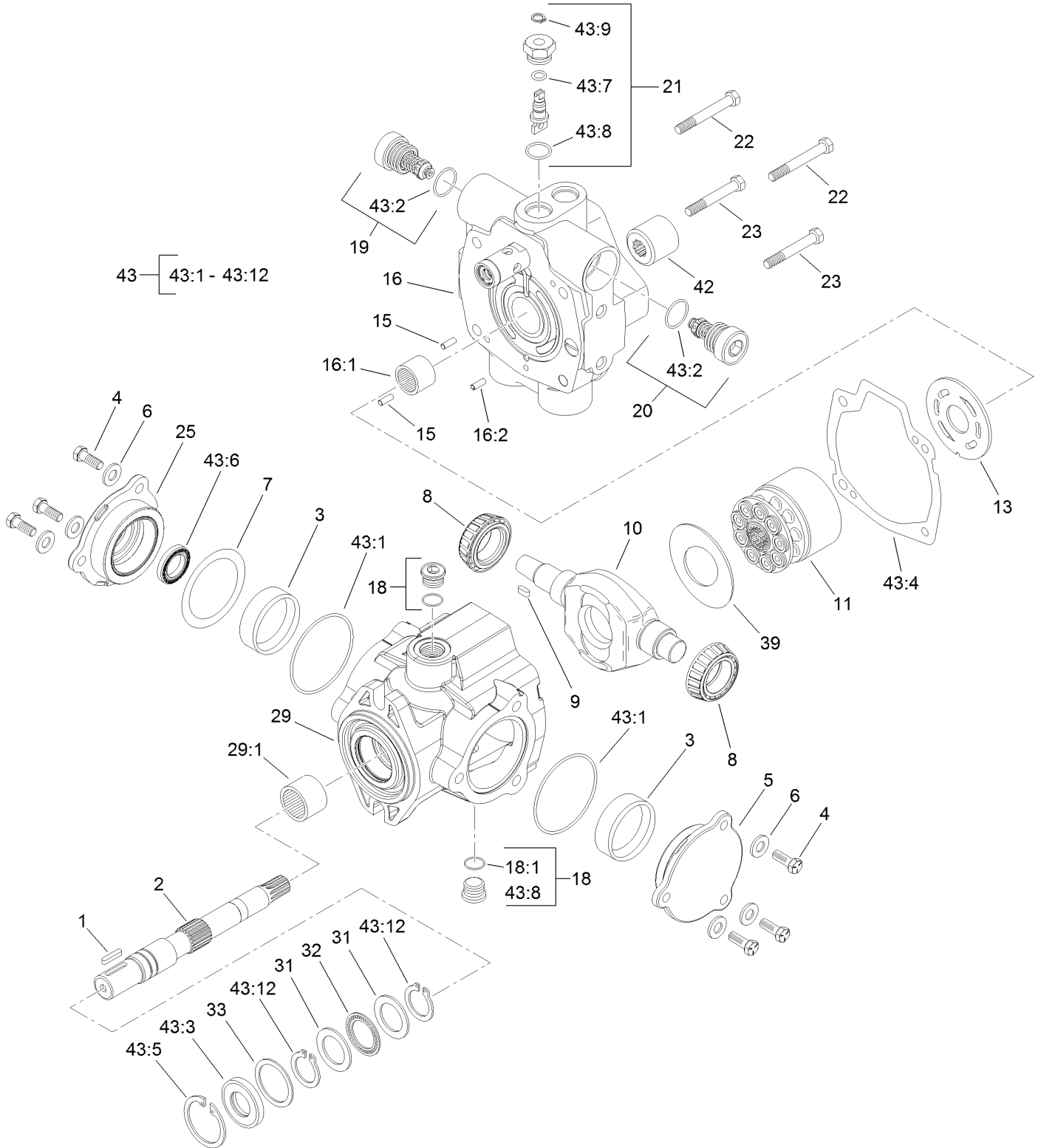
Gear Pump and Piston Pump Assembly



Gear Pump and Piston Pump Assembly (continued)

<i>Ref.</i>	<i>Part Number</i>	<i>Qty.</i>	<i>Description</i>	<i>Ref.</i>	<i>Part Number</i>	<i>Qty.</i>	<i>Description</i>
1	104-4890	1	Piston Pump ASM	17	3234-11	4	Screw-HHF
2	323-8	2	Screw-HH	18	99-3436-0P	1	Support-Pump
3	3296-39	2	Nut-Lock, NI	19	99-3440	2	Spacer
4	3256-24	4	Washer-Plain	24	120-3350	1	Pulley-3V
5	32128-54	1	Nut-HF	25	321-13	3	Screw-HH
6	99-3624	1	Shaft-Pivot, Idler	26	3253-3	3	Washer-Lock
7	302-5	1	Fitting-Grease	27	100-4813	1	Bushing-Lock, Taper
8	119-4042	1	Nut-HF, NI	28	120-3351	1	Belt-3V
9	32151-36	1	Ring-Retaining	29	70-2041	1	Trim - Edge
10	323-10	1	Screw-HH	30	353-949	1	O-Ring
11	74-1810	1	Washer	31	108-9036	1	HYD Gear Pump ASM
12	139-6031	1	Pulley-Idler	32	323-7	2	Screw-HH
13	115-3488	1	Spring-Torsion	33	3256-24	2	Washer-Plain
14	137-1653	1	Idler Arm ASM	35	99-3625	1	Spacer-Arm, Idler
14:2	126-1963	2	Bushing-Pivot	36	100-4852	2	Washer-Hardened
15	32128-43	4	Nut-Flange	37	3245-7	1	Screw-Set
16	323-19	2	Screw-HH				

Hydraulic Pump Assembly No. 104-4890



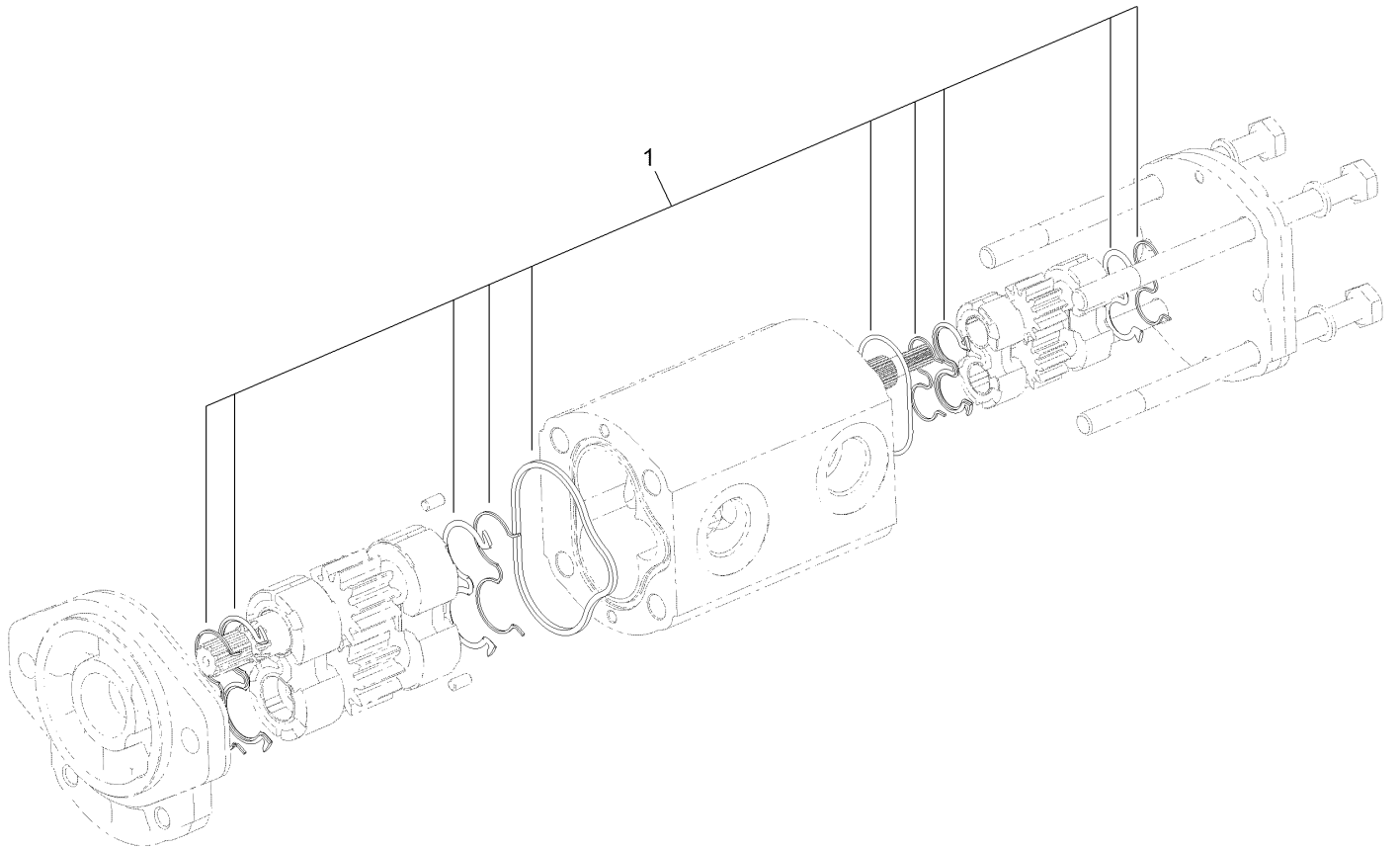
Hydraulic Pump Assembly No. 104-4890 (continued)

<i>Ref.</i>	<i>Part Number</i>	<i>Qty.</i>	<i>Description</i>	<i>Ref.</i>	<i>Part Number</i>	<i>Qty.</i>	<i>Description</i>
1	94-3645	1	Key	25	98-4645	1	Plate-Cover
2	94-6359	1	Shaft-Drive	29	100-3176	1	Housing ASM
3	104-4046	2	Bearing-Cup	29:1	94-6363	1	Bearing
4	98-4640	6	Screw-Cap	31	252-71	2	Washer-Thrust
5	98-4644	1	Plate-Cover	32	252-66	1	Bearing-Thrust
6	105-9762	6	Washer	33	33-3720	1	Washer
7	100-3182	2	Shim Kit	39	98-4635	1	Insert-Plate, Cam
8	98-4639	2	Bearing-Cone	42	74-9040	1	Coupler
9	94-3646	1	Key	43	120-5754	1	Seal Kit
10	104-4888	1	Swashplate	43:1		2	O-Ring ■
11	76-6070	1	Rotating Kit	43:2		2	O-Ring ■
13	104-0429	1	Plate-Valve	43:3		1	Seal-Shaft ■
15	76-6150	2	Pin-Dowel	43:4		1	Gasket ■
16	105-3813	1	Endcover Sub ASM	43:5		1	Ring-Retaining ■
16:1	94-6368	1	Bearing	43:6		1	Seal-Shaft ■
16:2		1	Pin-Roll ■	43:7		1	O-Ring ■
18	74-9280	2	Plug ASM	43:8		5	O-Ring ■
18:1		1	O-Ring ■	43:9		1	Ring-Retaining ■
19	104-4889	1	Relief Valve ASM	43:10		1	O-Ring ●■
20	105-3812	1	Valve-Check	43:11		1	O Ring-Molded ●■
21	105-3811	1	Valve-Bypass	43:12		2	Ring-Retaining ■
22	76-6170	2	Capscrew	43:13		1	O-Ring ■●
23	76-6160	2	Capscrew				

● Not illustrated

■ Not serviced separately

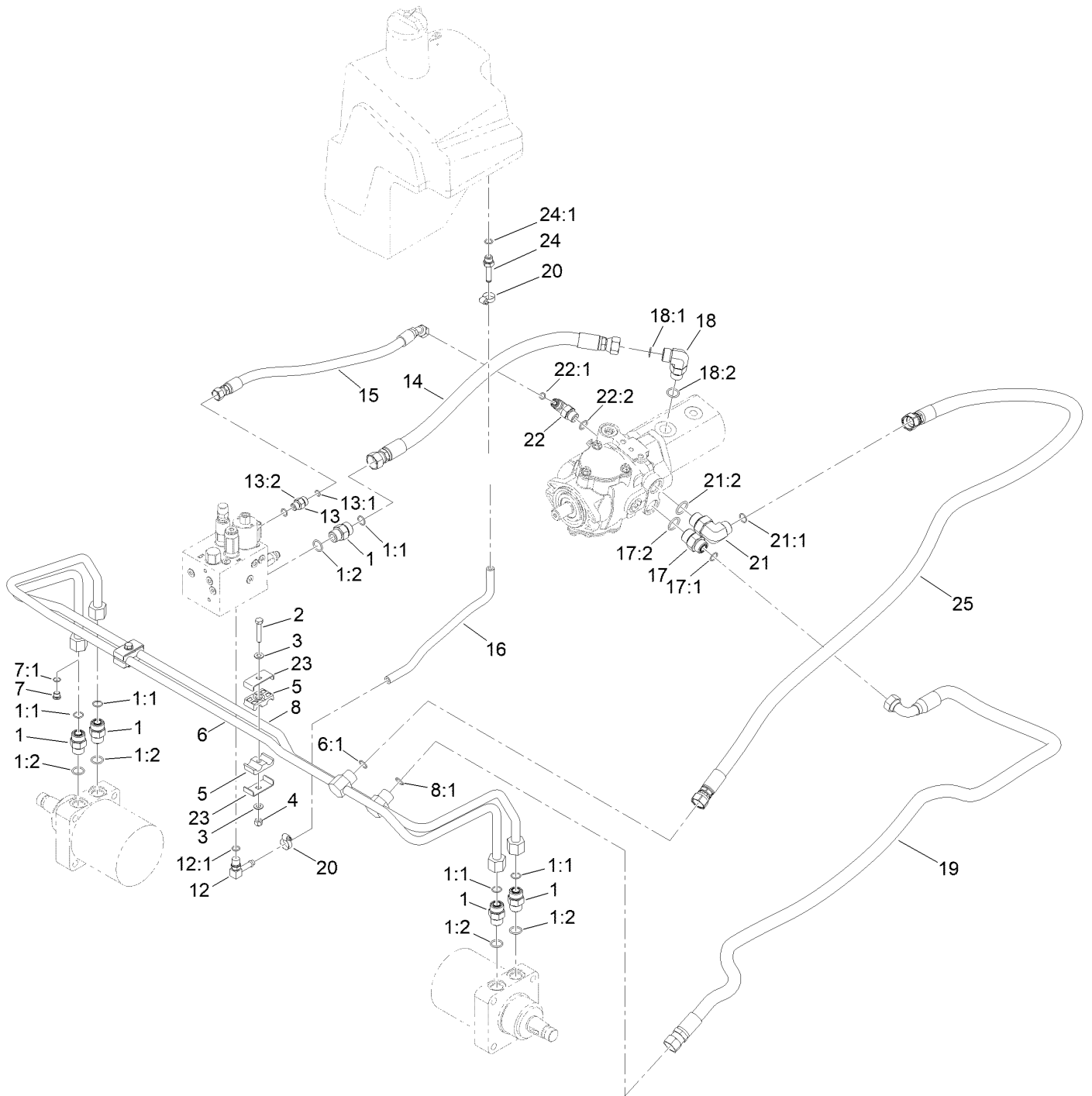
Hydraulic Gear Pump Assembly No. 108-9036



Hydraulic Gear Pump Assembly No. 108-9036 (continued)

<i>Ref.</i>	<i>Part Number</i>	<i>Qty.</i>	<i>Description</i>
1	110-8755	1	Seal Kit

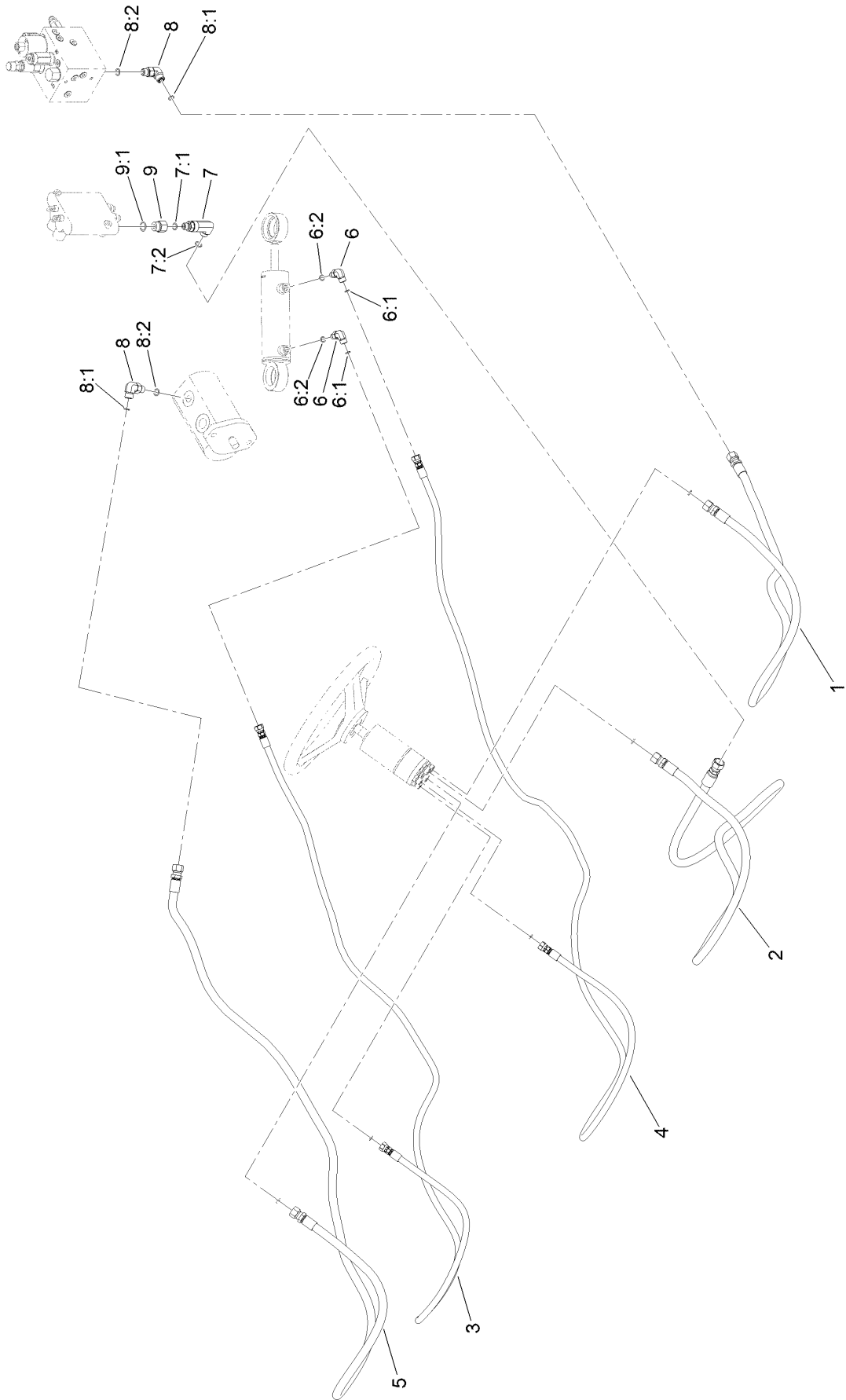
Hydraulic Traction Circuit Assembly



Hydraulic Traction Circuit Assembly (continued)

<i>Ref.</i>	<i>Part Number</i>	<i>Qty.</i>	<i>Description</i>	<i>Ref.</i>	<i>Part Number</i>	<i>Qty.</i>	<i>Description</i>
1	340-7	5	Fitting-Straight	16	164-1865	1	Hose-HYD
1:1	237-65	1	O-Ring	17	340-8	1	Fitting-Straight
1:2	237-80	1	O-Ring	17:1	237-65	1	O-Ring
2	322-9	2	Screw-HH	17:2	237-81	1	O-Ring
3	3256-23	4	Washer-Plain	18	340-17	1	Fitting-Elbow, 90 DEG
4	3296-29	2	Nut-Lock, NI	18:1	237-65	1	O-Ring
5	56-7971	4	Clamp-Tube	18:2	237-80	1	O-Ring
6	95-8783	1	Tube ASM	19	105-1214	1	Hose-HYD
6:1	237-65	1	O-Ring	20	2412-36	2	Clamp-Hose
7	353-990	1	Plug ASM	21	340-139	1	Fitting-Elbow 90
7:1	237-78	1	O-Ring	21:1	237-81	1	O-Ring
8	95-8784	1	Tube ASM	21:2	237-65	1	O-Ring
8:1	237-65	1	O-Ring	22	340-18	1	Fitting-HYD, 90 DEG
12	100-4887	1	Fitting-Elbow, 90	22:1	237-79	1	O-Ring
12:1	237-42	1	O-Ring	22:2	237-22	1	O-Ring
13	340-2	1	Fitting-Straight	23	119-1419	4	Plate-Clamp
13:1	237-22	1	O-Ring	24	353-979	1	Fitting-STR
13:2	237-42	1	O-Ring	24:1	237-42	1	O-Ring
14	147-6089	1	Hose ASM-HYD	25	108-9008	1	Hose ASM
15	147-6088	1	Hose ASM-HYD				

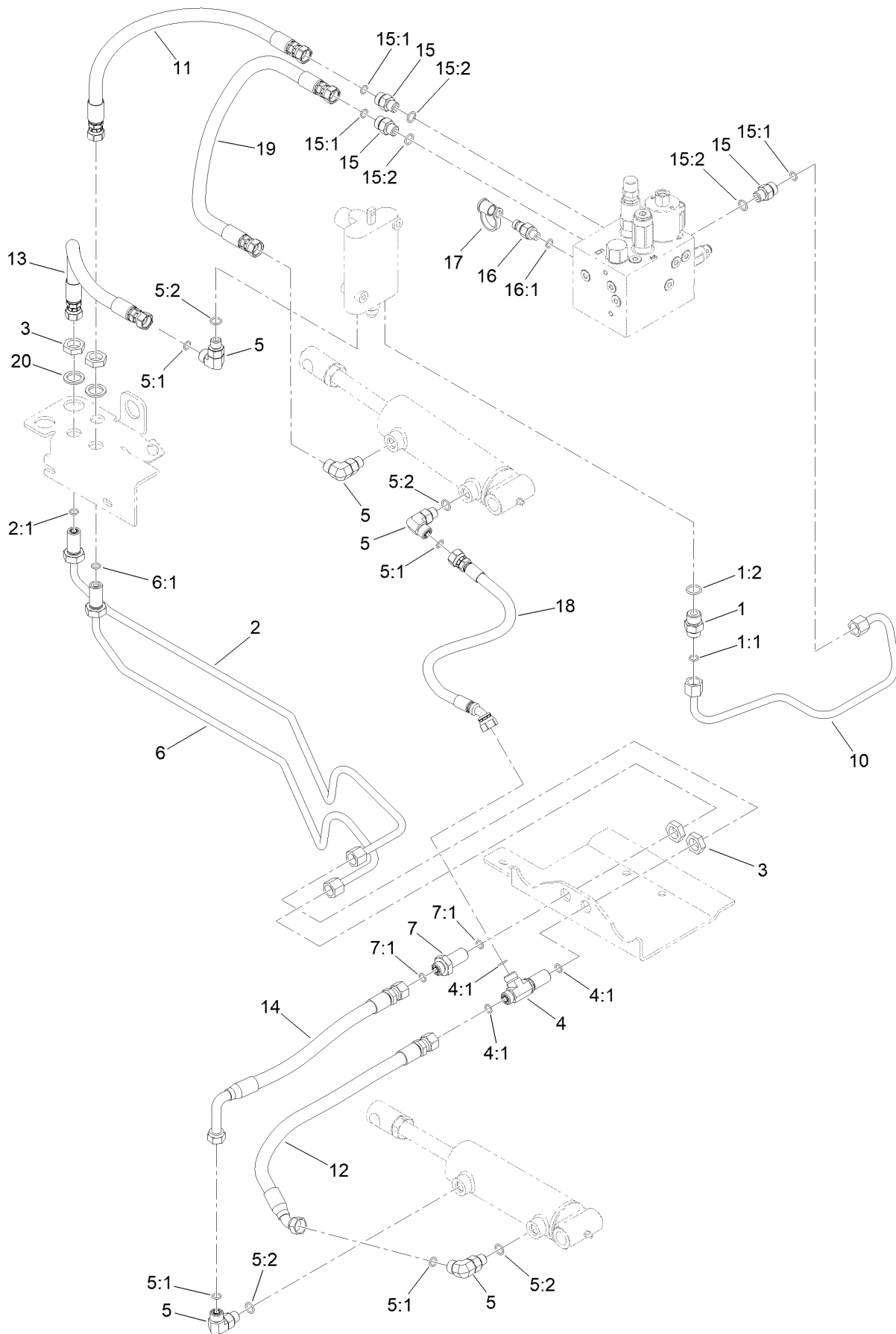
Steering Hydraulic Assembly



Steering Hydraulic Assembly (continued)

<i>Ref.</i>	<i>Part Number</i>	<i>Qty.</i>	<i>Description</i>	<i>Ref.</i>	<i>Part Number</i>	<i>Qty.</i>	<i>Description</i>
1	95-8842	1	Hose-HYD	7	145-2645	1	Fitting-Elbow 90 Long
2	95-8843	1	Hose-HYD	7:1	237-22	1	O-Ring
3	100-4892	1	Hose-HYD	7:2	237-42	1	O-Ring
4	100-4893	1	Hose-HYD	8	340-77	2	Fitting-Elbow, 90 DEG
5	95-8846	1	Hose-HYD	8:1	237-22	1	O-Ring
6	340-132	2	Fitting-Elbow, 90 DEG	8:2	237-42	1	O-Ring
6:1	237-78	1	O-Ring	9	353-397	1	Reducer-Adapter
6:2	237-21	1	O-Ring	9:1	237-79	1	O-Ring

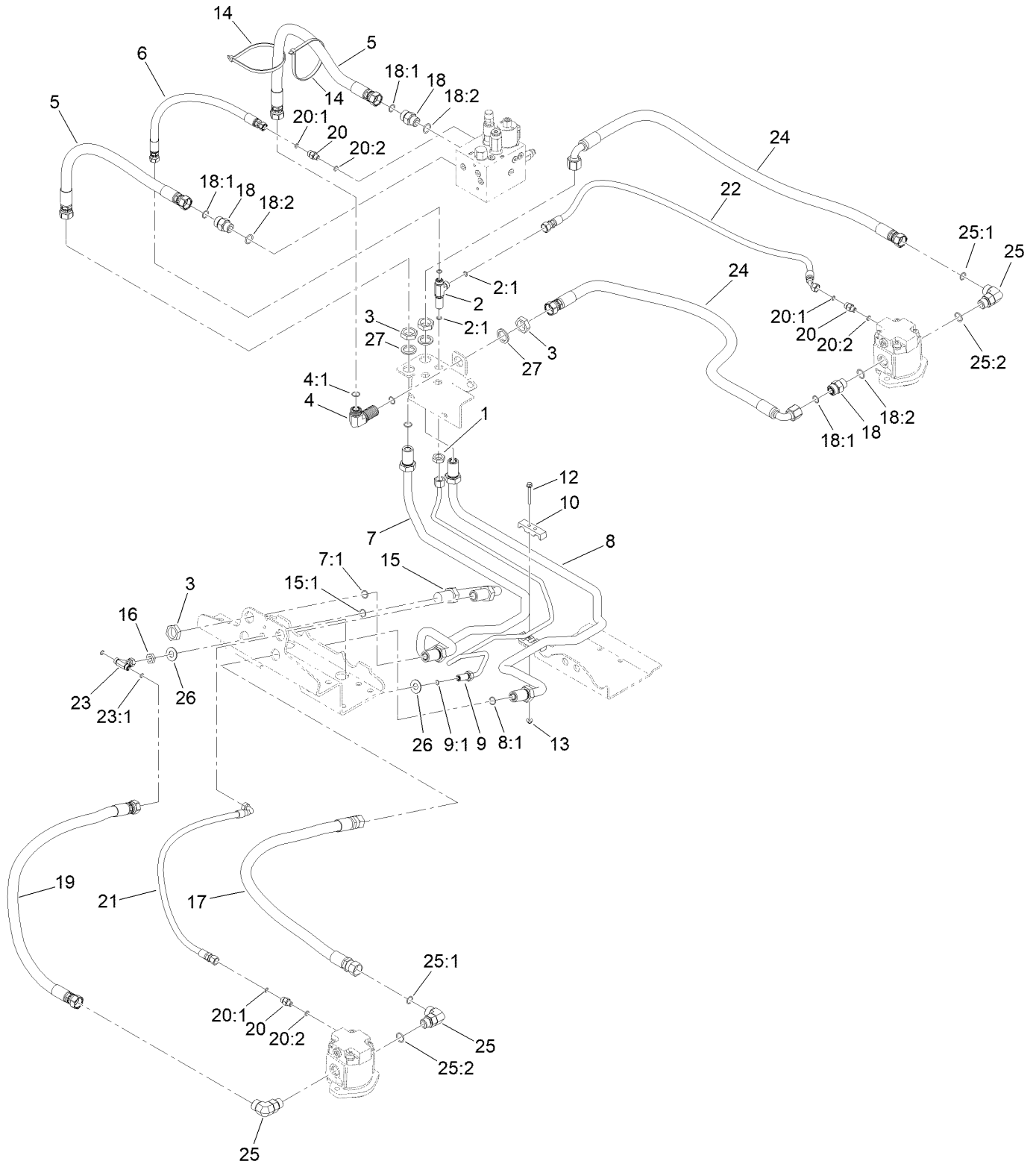
Hydraulic Lift Circuit Plumbing Assembly



Hydraulic Lift Circuit Plumbing Assembly (continued)

<i>Ref.</i>	<i>Part Number</i>	<i>Qty.</i>	<i>Description</i>	<i>Ref.</i>	<i>Part Number</i>	<i>Qty.</i>	<i>Description</i>
1	340-3	1	Fitting-Straight	10	145-5282	1	Hydraulic Tube ASM
1:1	237-22	1	O-Ring	11	108-9013	1	Hose ASM
1:2	237-79	1	O-Ring	12	104-0405	1	Hose-HYD
2	104-0402	1	Tube-HYD	13	99-3575	1	Hose-HYD
2:1	237-22	1	O-Ring	14	104-0406	1	Hose-HYD
3	340-70	4	Nut-Lock	15	340-2	3	Fitting-Straight
4	340-68	1	Fitting-Tee, Bulkhead	15:1	237-22	1	O-Ring
4:1	237-22	3	O-Ring	15:2	237-42	1	O-Ring
5	340-77	5	Fitting-Elbow, 90 DEG	16	354-77	1	Fitting-Quick
5:1	237-22	1	O-Ring	16:1	237-78	1	O-Ring
5:2	237-42	1	O-Ring	17	354-79	1	Cap-Dust
6	104-0403	1	Tube ASM	18	104-0407	1	Hose-HYD
6:1	237-22	1	O-Ring	19	99-3579	1	Hose-HYD
7	340-71	1	Fitting-Straight, Bulkhead	20	1278	2	Washer
7:1	237-22	2	O-Ring				

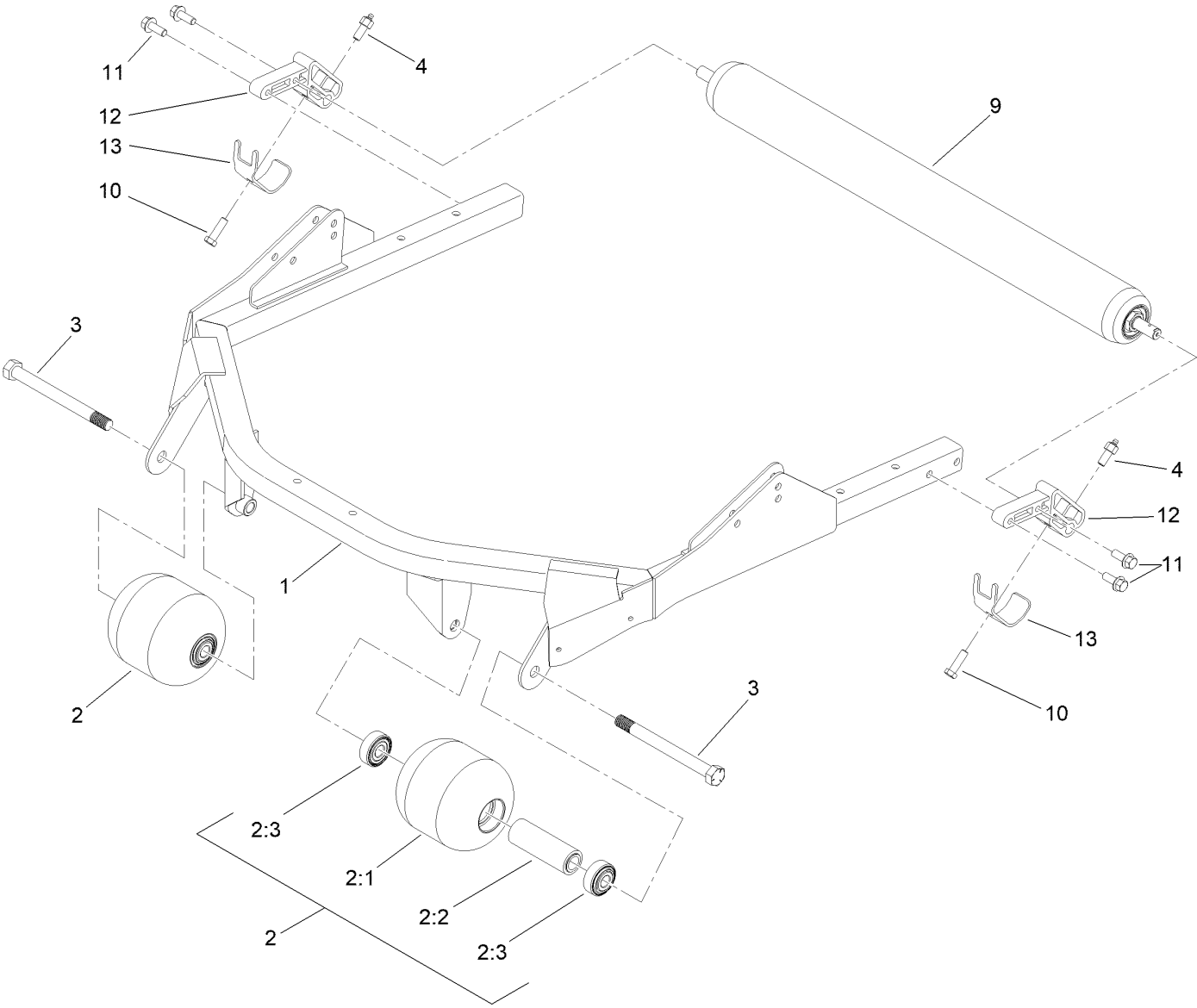
Hydraulic Mow Circuit Plumbing Assembly



Hydraulic Mow Circuit Plumbing Assembly (continued)

<i>Ref.</i>	<i>Part Number</i>	<i>Qty.</i>	<i>Description</i>	<i>Ref.</i>	<i>Part Number</i>	<i>Qty.</i>	<i>Description</i>
1	340-70	1	Nut-Lock	16	340-78	1	Nut-Lock
2	340-68	1	Fitting-Tee, Bulkhead	17	105-1216	2	Hose-HYD
2:1	237-22	3	O-Ring	18	340-7	3	Fitting-Straight
3	340-74	7	Nut-Lock, Bulkhead	18:1	237-65	1	O-Ring
4	340-72	1	Fitting-Bulkhead, 90 DEG	18:2	237-80	1	O-Ring
4:1	237-65	2	O-Ring	19	105-1215	2	Hose-HYD
5	108-9004	2	Hose ASM	20	340-92	4	Fitting-Straight
6	115-3412	1	Hose-HYD	20:1	237-78	1	O-Ring
7	104-0401	1	Tube ASM	20:2	237-21	1	O-Ring
7:1	237-65	2	O-Ring	21	104-1080	2	Hose-HYD
8	104-0400	1	Tube ASM	22	100-4876	1	Hose-HYD
8:1	237-65	2	O-Ring	23	99-3477	1	Fitting-Tee
9	104-0404	1	Tube ASM	23:1	237-21	2	O-Ring
9:1	237-21	1	O-Ring	24	100-4880	2	Hose-HYD
10	99-3641	2	Clamp-Tube	25	340-17	5	Fitting-Elbow, 90 DEG
12	3234-34	2	Screw-HHF	25:1	237-65	1	O-Ring
13	104-7201	2	Nut-HF, NI	25:2	237-80	1	O-Ring
14	3334-945	2	Tie-Cable	26	69-8980	1	Washer
15	99-3640	1	Tube ASM	27	69-9010	3	Washer
15:1	237-65	2	O-Ring				

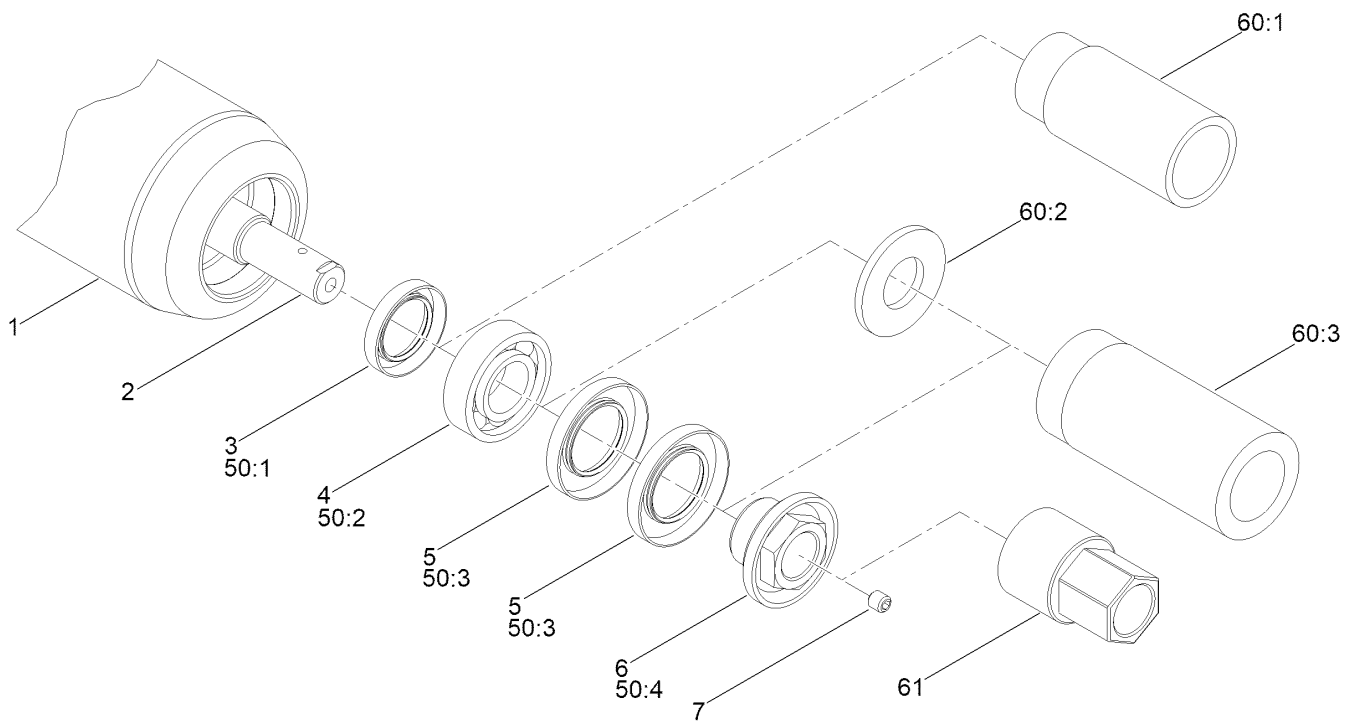
Roller and Carrier Frame Assembly



Roller and Carrier Frame Assembly (continued)

<i>Ref.</i>	<i>Part Number</i>	<i>Qty.</i>	<i>Description</i>	<i>Ref.</i>	<i>Part Number</i>	<i>Qty.</i>	<i>Description</i>
1	100-5780-03	1	Frame-Deck	4	127-6422	2	Screw-Grease, Roller
2	136-2908	2	Roller ASM	9	137-6141	1	Rear Roller ASM
2:1	104-1093	1	Roller	10	323-7	2	Screw-HH
2:2	100-5762	1	Spacer-Bearing	11	3234-11	4	Screw-HHF
2:3	120-3366	2	Bearing	12	112-5268	2	Mount-Roller
3	136-2924	2	Screw-HH	13	107-7816	2	Bracket-Skid

Rear Roller Assembly No. 137-6141



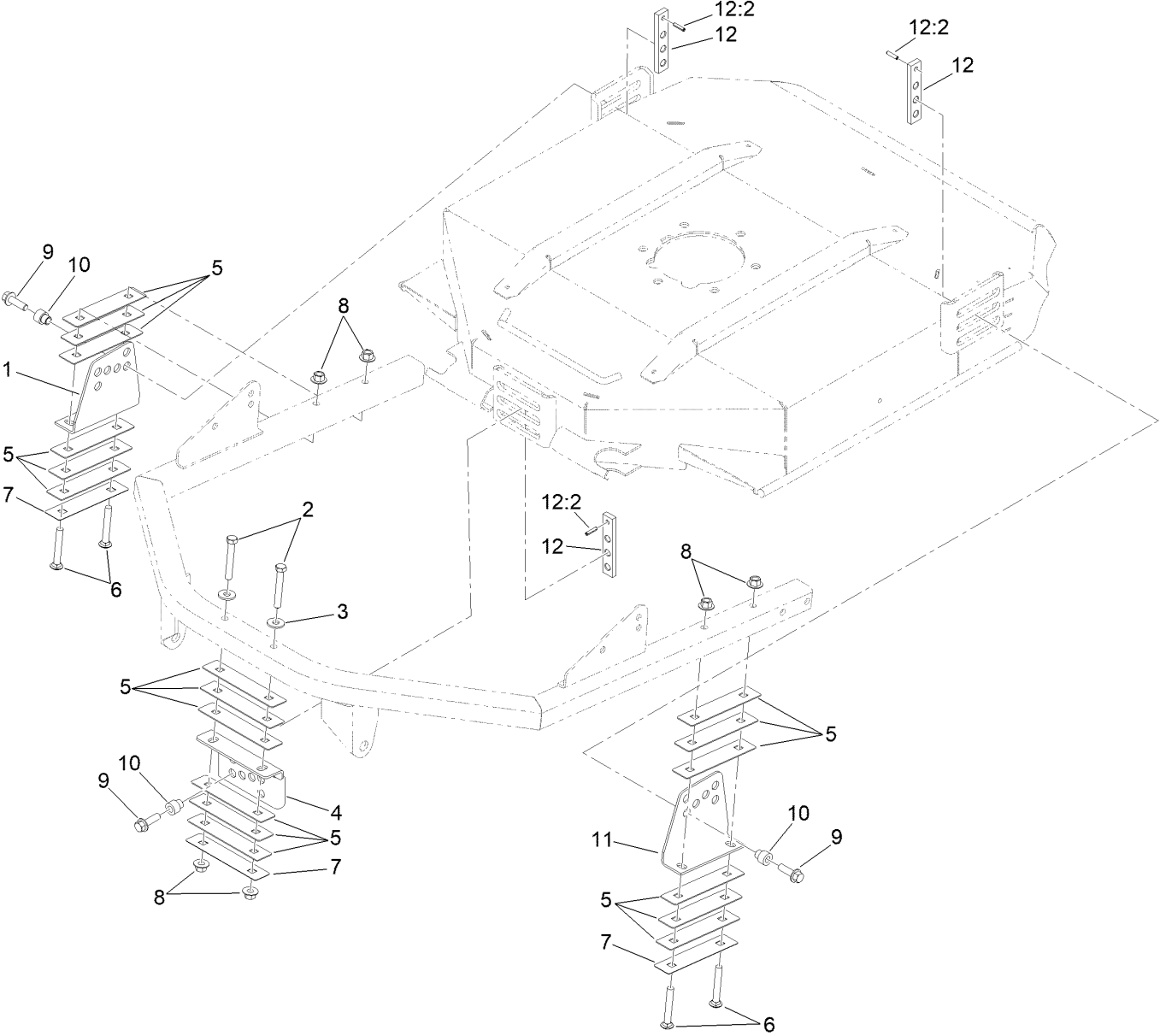
50 = 50:1 - 50:4

60 = 60:1 - 60:3

Rear Roller Assembly No. 137-6141 (continued)

<i>Ref.</i>	<i>Part Number</i>	<i>Qty.</i>	<i>Description</i>	<i>Ref.</i>	<i>Part Number</i>	<i>Qty.</i>	<i>Description</i>
1	137-6140	1	Tube-Roller	50:2	112-5290	2	Bearing-Steel, Stainless
2	117-5100	1	Shaft-Roller, Rear	50:3	112-7494	4	Seal
3	114-3717	2	Seal-Oil	50:4	147-0701	2	Nut-Lock, Bearing
4	112-5290	2	Bearing-Steel, Stainless	60	115-0803	1	Rm/Gm Roller Rebuild Tool Kit
5	112-7494	4	Seal	60:1	115-0852	1	Tool-Inner Seal
6	147-0701	2	Nut-Lock, Bearing	60:2	107-8133	1	Washer-Flat
7	108-0989	2	Screw-Set	60:3	115-0853	1	Tool-Bearing/Outer Seal
50	114-5430	1	Roller Rebuild Kit	61	147-1132	1	Tool-Drive, Roller Nut
50:1	114-3717	2	Seal-Oil				

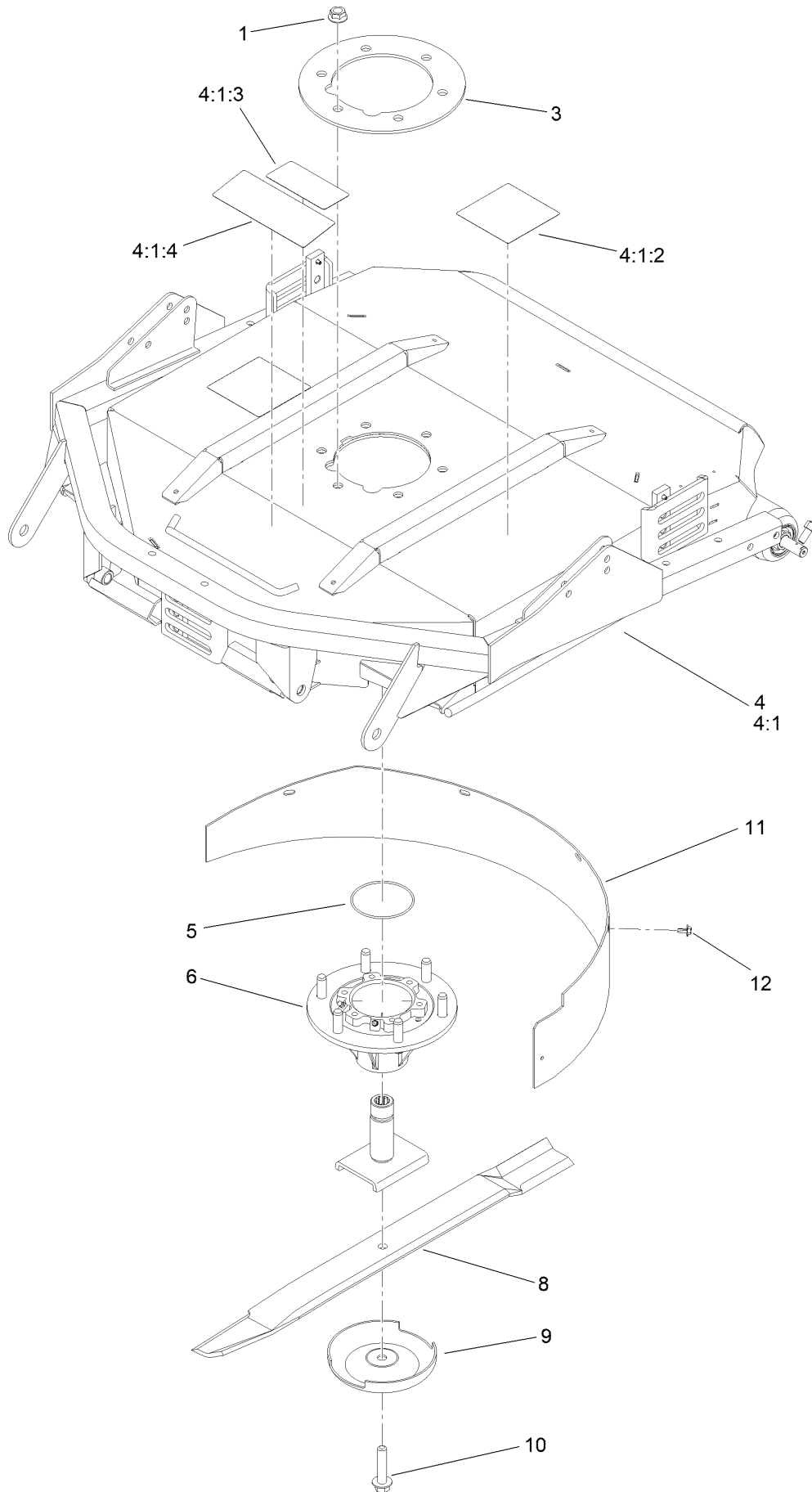
Height-of-Cut Bracket Assembly



Height-of-Cut Bracket Assembly (continued)

<i>Ref.</i>	<i>Part Number</i>	<i>Qty.</i>	<i>Description</i>	<i>Ref.</i>	<i>Part Number</i>	<i>Qty.</i>	<i>Description</i>
1	100-5797-03	1	Bracket-HOC, RH	8	32128-43	6	Nut-Flange
2	323-12	2	Screw-HH	9	3234-24	3	Screw-HHF
3	80-6990	2	Washer-Hardened	10	121-3575	3	Spacer-HOC
4	104-1052-03	1	Bracket-HOC, Front	11	104-4624-03	1	Bracket-HOC, LH
5	100-5799	18	Shim-HOC, .060 Inch	12	136-2921	3	HOC Plate ASM
6	3231-9	4	Screw-CARR	12:2	32121-2	1	Pin-Roll, Slotted
7	104-4641	3	Shim-HOC, .030 Inch				

Chamber, Blade and Spindle Assembly

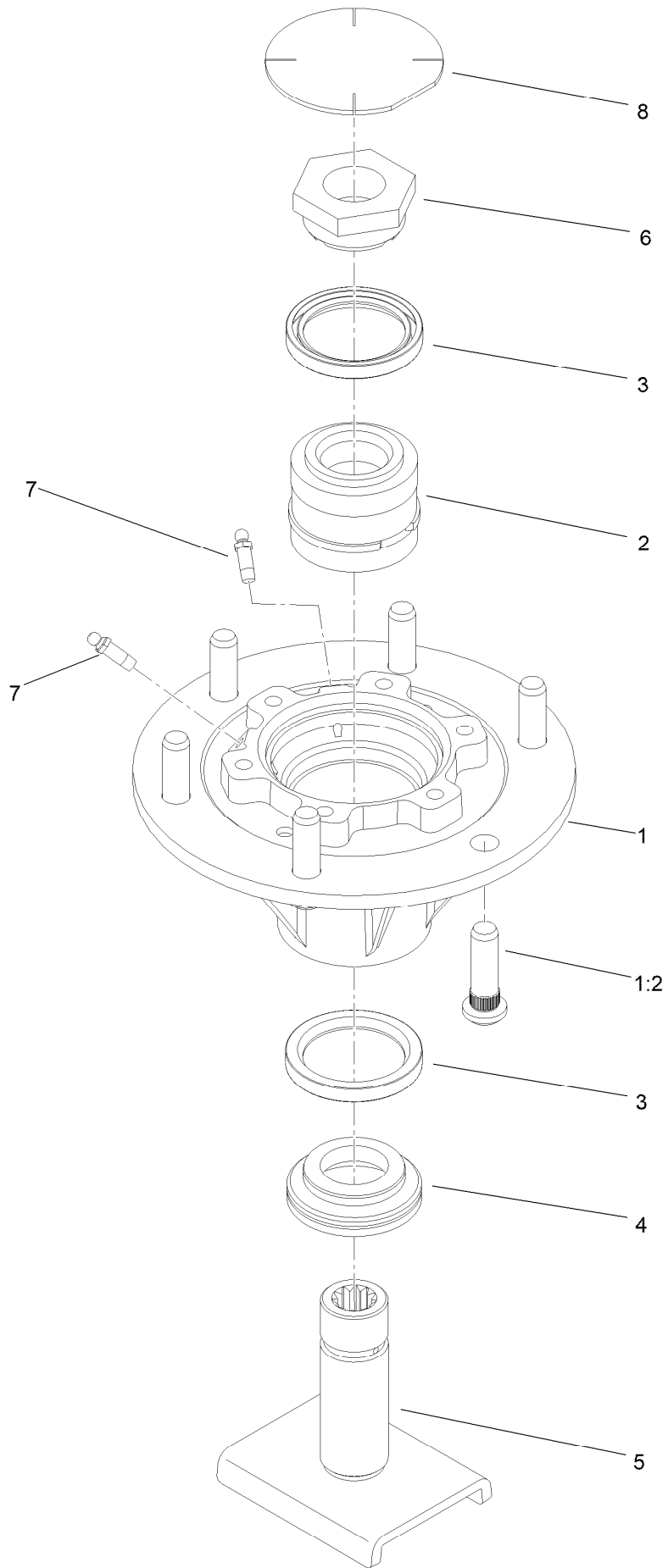


Chamber, Blade and Spindle Assembly (continued)

<i>Ref.</i>	<i>Part Number</i>	<i>Qty.</i>	<i>Description</i>	<i>Ref.</i>	<i>Part Number</i>	<i>Qty.</i>	<i>Description</i>
1	32128-39	6	Nut-HF	6	121-3666	1	Spindle ASM
3	104-1051-03	1	Plate-Spindle	8	107-0235-03	1	Blade-Atomic
4	127-6389	1	Deck Chamber Service ASM	8	108-9026	1	Blade-27", Combo
4:1		1	Chamber ASM ●	9	72-9361	1	Cup-Scalp, Anti
4:1:2	117-4764	2	Decal-Danger	10	92-5816	1	Bolt-Blade
4:1:3	93-7818	1	Decal-Torque, Blade Bolt	11	108-9025-01	1	Baffle-Mulching
4:1:4	121-3627	1	Decal-Height Of Cut	12	46-8560	5	Screw-HHFTF
5	237-161	1	O-Ring				

● Not serviced separately

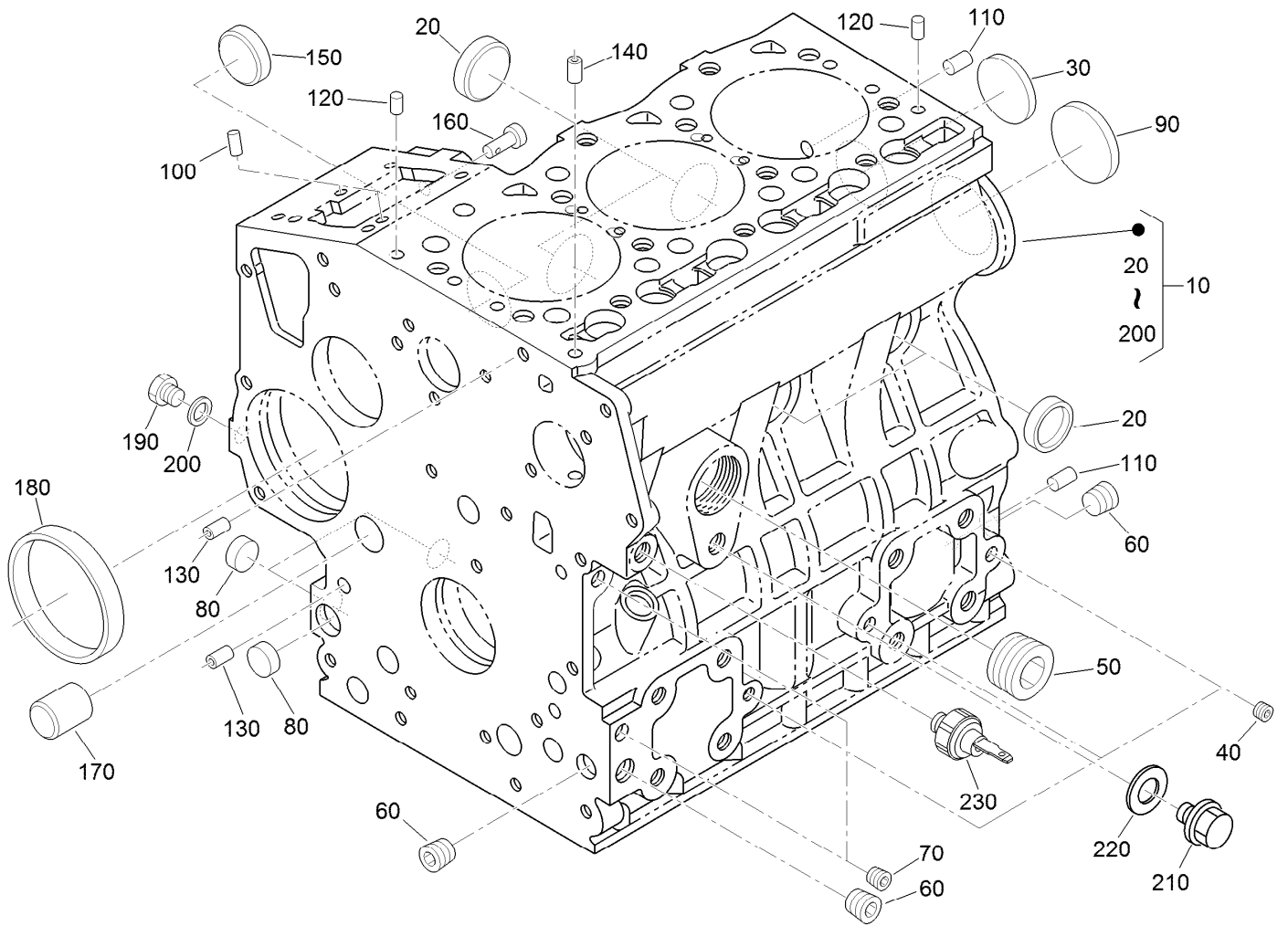
Spindle Assembly No. 121-3666



Spindle Assembly No. 121-3666 (continued)

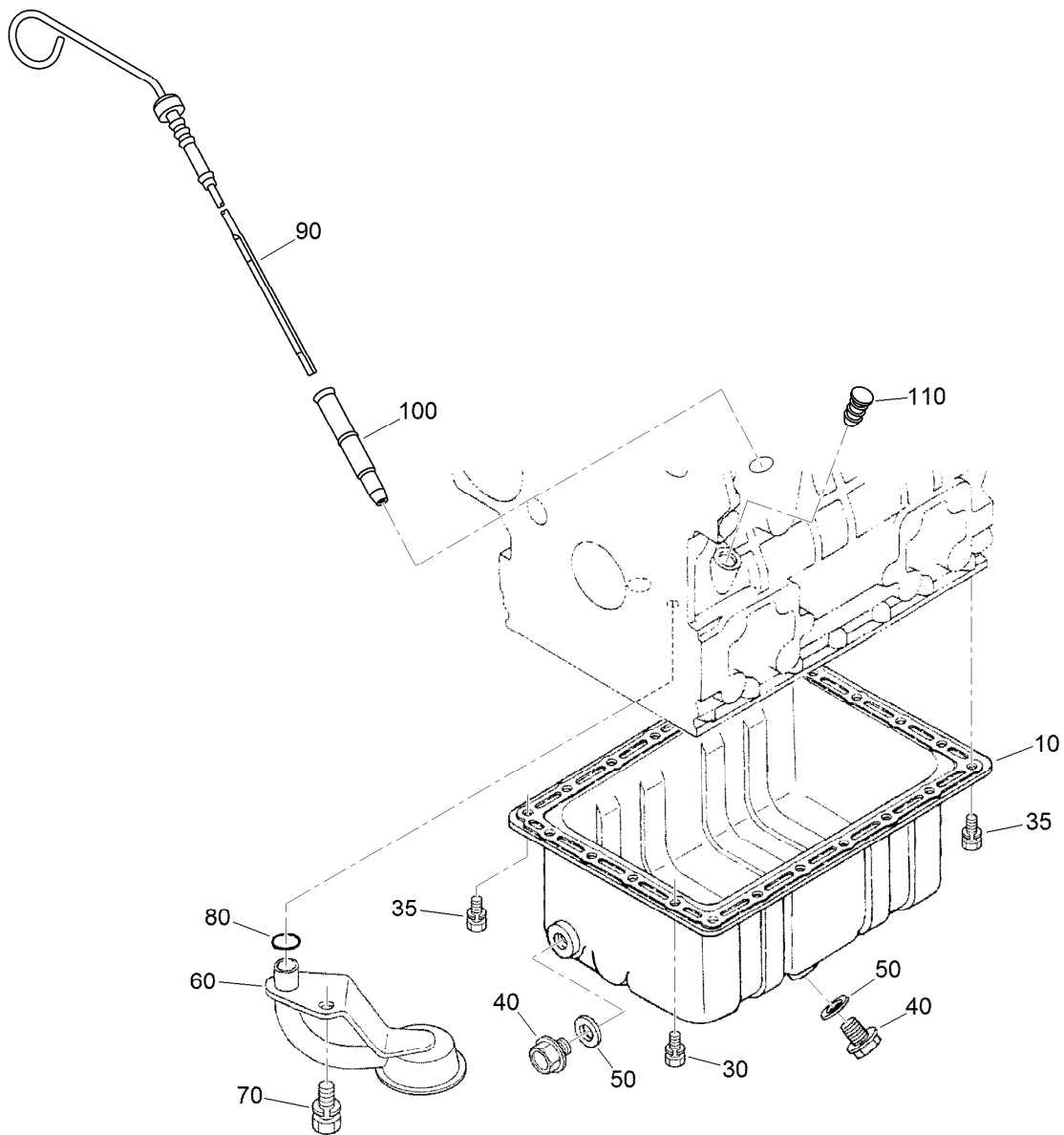
<i>Ref.</i>	<i>Part Number</i>	<i>Qty.</i>	<i>Description</i>
1	115-3434	1	Spindle
1:2	10-6830	6	Stud-Type, Drive
2	100-5703	1	Spacer And Bearing ASM
3	253-154	2	Seal-Oil
4	138-6416	1	Spacer-Spindle, Shaft

<i>Ref.</i>	<i>Part Number</i>	<i>Qty.</i>	<i>Description</i>
5	121-3664	1	Spindle Shaft ASM
6	100-5709	1	Nut-Spindle, Spcl
7	302-62	2	Fitting-Grease
8	94-2703	1	Plug



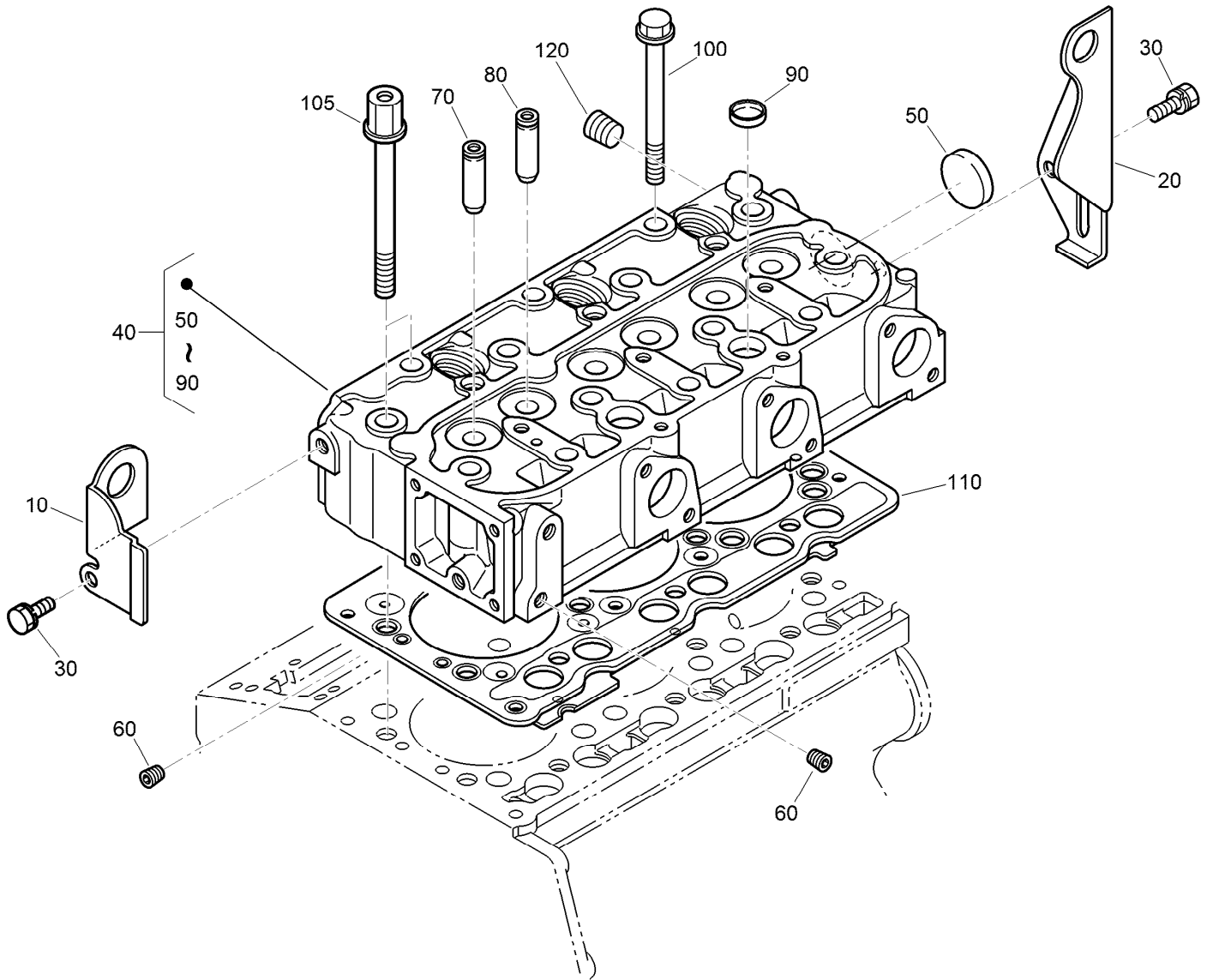
Crankcase Assembly

<i>Ref.</i>	<i>Part Number</i>	<i>Qty.</i>	<i>Description</i>	<i>Ref.</i>	<i>Part Number</i>	<i>Qty.</i>	<i>Description</i>
10	115-3443	1	Crankcase ASM	130	98-9387	2	Pin-Pipe
20	98-9398	4	Cap-Sealing	140	98-9539	1	Pin-Pipe
30	98-7539	1	Cap-Sealing	150	98-9599	1	Plug
40	98-9687	3	Plug	160	98-9630	1	Pin-Spring, Start
50	105-3779	1	Plug	170	98-9675	1	Plug
60	98-9597	3	Plug	180	98-9656	1	Bushing-Governor, Gear
70	98-7487	2	Plug	190	120-2559	1	Plug
80	98-9379	3	Plug-Expansion	200	98-7428	1	Gasket
90	98-9668	1	Plug-Expansion	210	99-3447	1	Plug
100	98-9375	2	Pin-Straight	220	112-8325	1	Washer
110	98-9377	2	Pin-Straight	230	98-9416	1	Switch-Oil
120	98-9376	2	Pin-Straight				



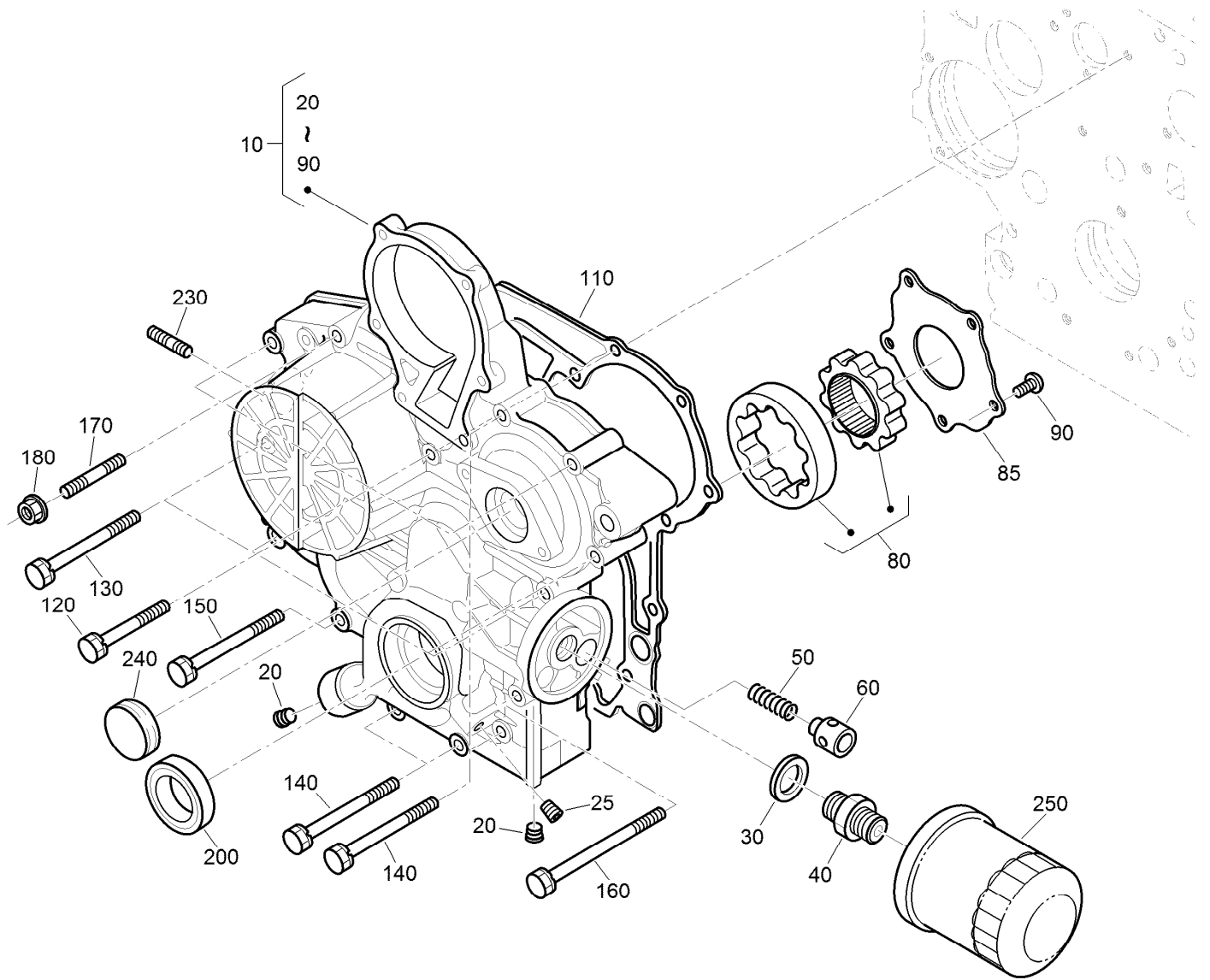
Oil Pan and Dipstick Assembly

<i>Ref.</i>	<i>Part Number</i>	<i>Qty.</i>	<i>Description</i>
10	98-9685	1	Pan-Oil
30	98-9351	20	Bolt
35	98-9351	2	Bolt
40	114-8151	2	Plug-Drain
50	98-7524	2	Gasket
60	108-1401	1	Base-Filter
70	98-7526	1	Bolt
80	105-3776	1	O-Ring
90	104-9348	1	Gauge-Oil
100	105-4580	1	Guide-Gauge, Oil
110	110-3720	1	Plug-Gauge, Oil



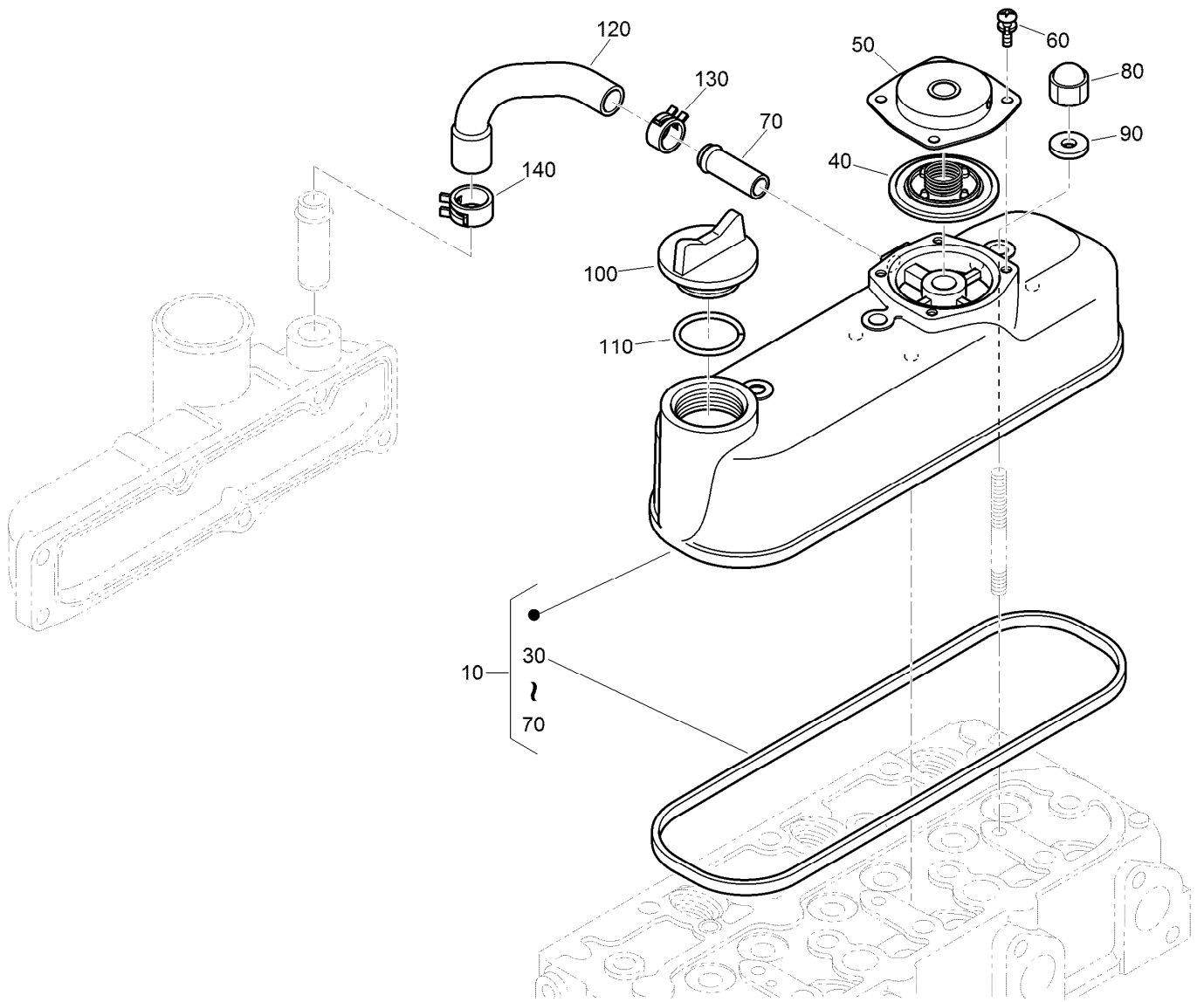
Cylinder Head Assembly

Ref.	Part Number	Qty.	Description
10	130-1231	1	Hook-Engine
20	98-9478	1	Hook-Engine
30	100-9195	2	Bolt
40	130-1544	1	Cylinder Head ASM
50	105-3705	1	Cap-Sealing
60	98-9687	2	Plug
70	107-9066	3	Guide-Valve, Inlet
80	107-9067	3	Guide-Valve, Exhaust
90	98-9389	2	Cap-Sealing
100	98-9479	12	Bolt-Head, Cylinder
105	98-9647	2	Bolt-Head, Cylinder
110	108-6573	1	Gasket-Head, Cylinder
120	98-9444	1	Plug



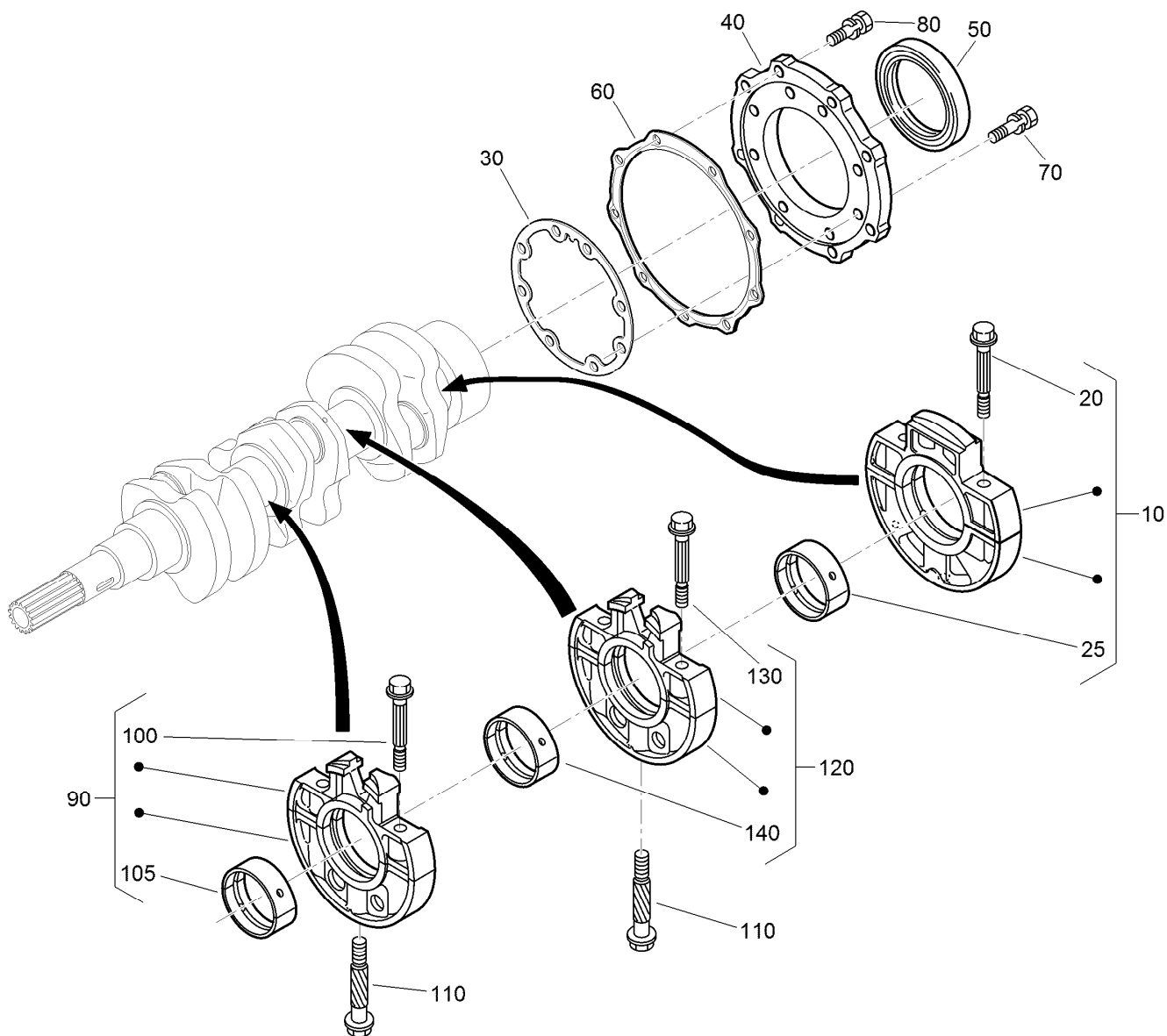
Gear Case and Oil Filter Cartridge Assembly

Ref.	Part Number	Qty.	Description	Ref.	Part Number	Qty.	Description
10	115-4105	1	Gear Case ASM	120	100-1765	3	Bolt
20	127-0425	2	Plug	130	125-9063	4	Bolt-Sems
25	98-7487	1	Plug	140	98-9356	4	Bolt
30	98-7562	1	Washer-Plain	150	107-9074	1	Bolt
40	98-9388	1	Joint-Pipe	160	99-3510	1	Bolt
50	130-1511	1	Spring	170	105-3709	1	Stud
60	130-1510	1	Valve-Relief	180	100-2203	1	Nut-Flange
80	130-1508	1	Rotor ASM	200	119-8038	1	Seal-Oil
85	130-1509	1	Cover-Pump, Oil	230	105-3710	2	Stud
90	130-1164	5	Screw-Binding	240	99-3515	1	Plug-Gearcase
110	98-9633	1	Gasket-Case, Gear	250	108-3841	1	Filter-Oil



Cylinder Head Cover Assembly

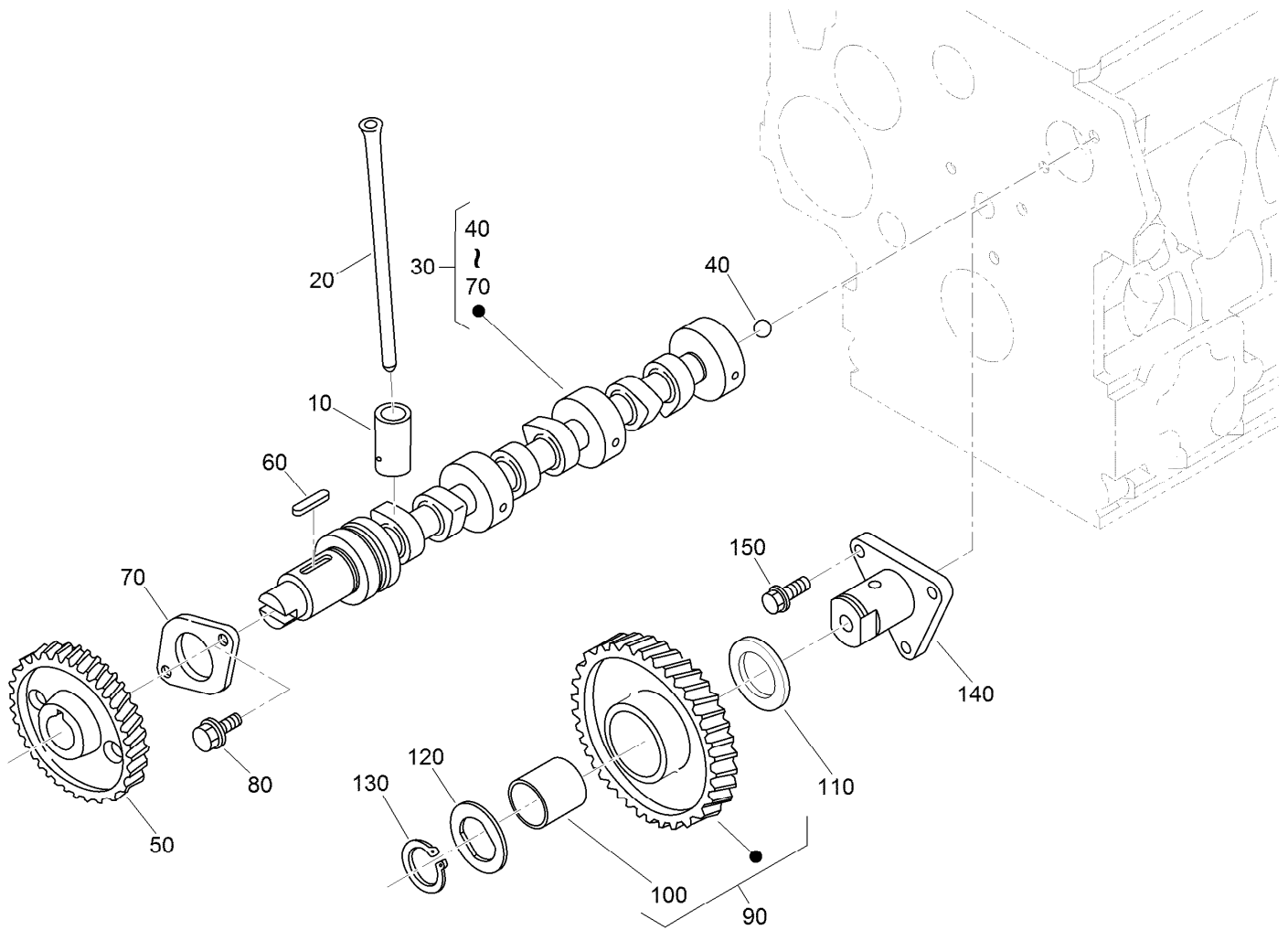
<i>Ref.</i>	<i>Part Number</i>	<i>Qty.</i>	<i>Description</i>
10	139-4544	1	Cylinder Cover ASM
30	98-9615	1	Gasket-Cover, Head
40	110-3715	1	Valve-Breather
50	110-3714	1	Cover-Breather
60	98-9364	4	Screw (With Washer)
70	98-7766	1	Pipe-Return, Water
80	98-9455	3	Nut-Cap
90	98-9454	3	Gasket
100	107-9075	1	Plug-Filler, Oil
110	131-3834	1	O Ring
120	139-4545	1	Tube-Breather
130	108-2859	1	Clamp-Hose
140	108-2860	1	Clamp-Hose



Main Bearing Case Assembly

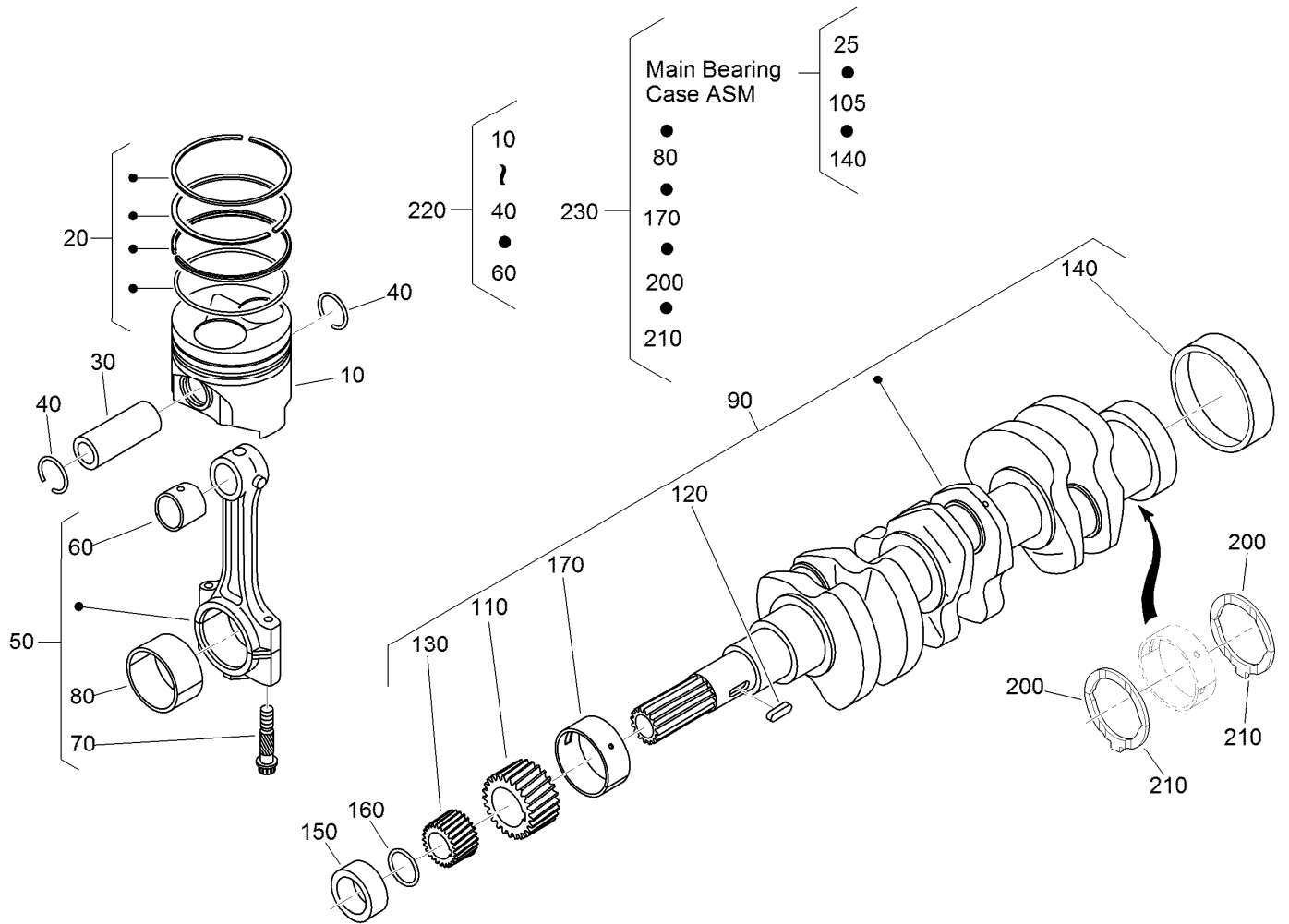
Ref.	Part Number	Qty.	Description
10	139-4546	1	Bearing Case ASM
20	98-9484	2	Bolt-Case, Bearing
25	115-4121	1	Metal-Crankshaft (STD)
25	112-7039	1	Metal-Crankshaft (0.2Mm)
25	112-7040	1	Metal-Crankshaft (-0.4Mm)
30	131-6554	1	Gasket-Case, Bearing
40	112-7046	1	Cover-Case, Bearing
50	112-0180	1	Seal-Oil
60	112-7037	1	Gasket-Cover, Case
70	127-0441	8	Bolt
80	140-2467	9	Bolt

Ref.	Part Number	Qty.	Description
90	115-4106	1	Main Bearing Case ASM
100	98-9484	2	Bolt-Case, Bearing
105	98-9524	1	Metal-Crankshaft (STD Set)
105	127-0433	1	Metal-Crankshaft (-0.2MM)
105	98-9531	1	Bearing-Main (0.4MM)
110	98-9485	2	Bolt-Case, Bearing
120	115-4107	1	Main Bearing Case ASM
130	98-9484	2	Bolt-Case, Bearing
140	98-9524	1	Metal-Crankshaft (STD Set)
140	127-0433	1	Metal-Crankshaft (-0.2MM)
140	98-9531	1	Bearing-Main (0.4MM)



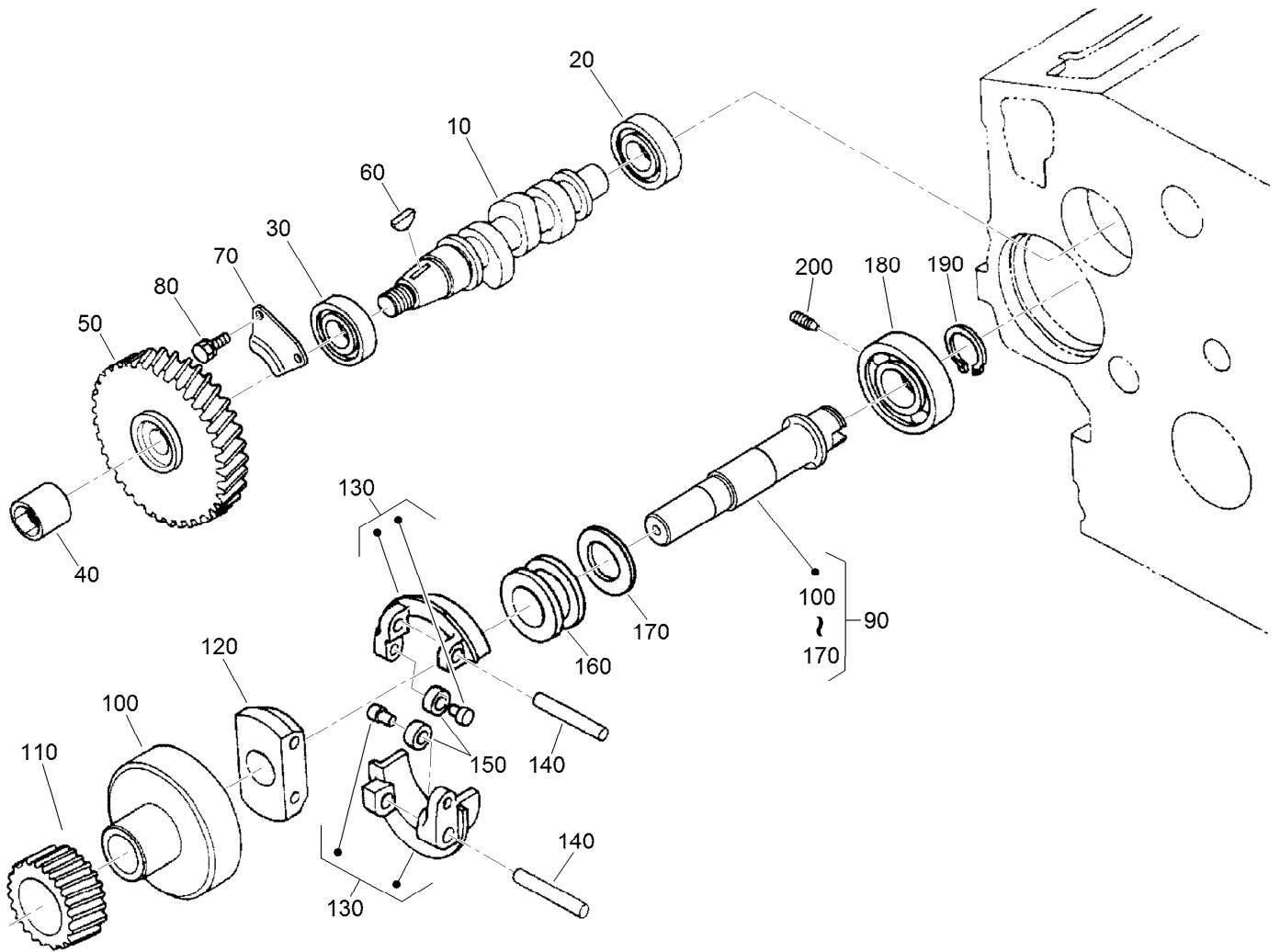
Camshaft and Idle Gear Shaft Assembly

Ref.	Part Number	Qty.	Description
10	112-0185	6	Tappet
20	127-0421	6	Rod-Push
30	130-1545	1	Camshaft ASM
40	110-3729	1	Ball
50	120-3116	1	Camshaft ASM
60	98-9378	1	Key-Feather
70	131-6555	1	Stopper (Camshaft)
80	98-7692	2	Bolt
90	117-7584	1	Idler Gear ASM
100	117-7585	1	Bushing-Gear, Idle
110	98-9535	1	Collar-Gear, Idle
120	98-9536	1	Collar-Gear, Idle
130	98-9534	1	Circlip-Gear, Idle
140	98-9533	1	Shaft-Gear, Idle
150	98-7692	3	Bolt



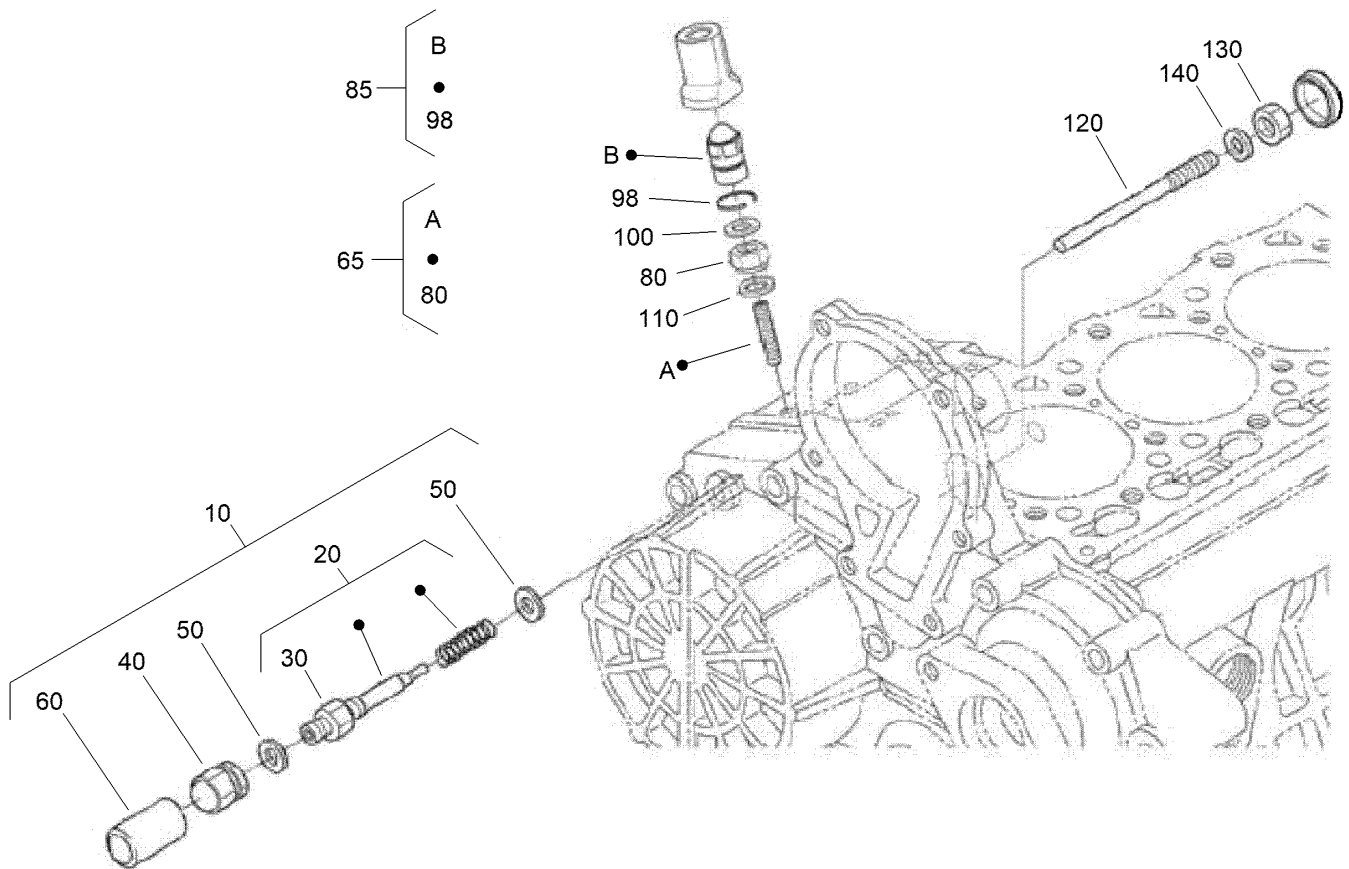
Piston and Crankshaft Assembly

Ref.	Part Number	Qty.	Description	Ref.	Part Number	Qty.	Description
10	130-1546	3	Piston (STD)	160	105-3783	1	O-Ring
10	130-1549	3	Piston (+0.50MM)	170	112-7005	1	Bearing-Main (STD)
20	130-1506	3	Piston Ring ASM (STD)	170	98-9528	1	Bearing-Main (-0.2MM)
20	130-1507	3	Piston Ring ASM (+0.50MM)	170	127-0432	1	Metal-Crankshaft (-0.4MM)
30	98-9513	3	Pin-Piston	200	98-9413	2	Bearing-Thrust (STD)
40	98-9514	6	Circlip-Pin, Piston	200	127-0416	2	Metal-Side (+0.2Mm)
50	117-7586	3	Connecting Rod ASM	200	127-0417	2	Metal-Side (+0.40Mm)
60	115-3014	3	Bushing-Pin, Piston	210	98-9688	2	Bearing-Thrust (STD)
70	98-9517	6	Bolt-Rod, Connecting	210	127-0437	2	Metal-Side (+0.2MM)
80	98-9553	3	Bearing-Rod (STD)	210	127-0438	2	Metal-Side (+0.40MM)
80	98-9519	3	Bearing-Rod (-0.2MM)	220	130-1547	3	Piston Kit
80	117-7588	3	Metal-Crankpin (-0.4MM)	220	130-1548	3	Piston Kit
90	130-1375	1	Crankshaft ASM	230	130-1501	1	Engine Metal Kit (STD)
110	117-7561	1	Gear-Crankshaft	230	130-1498	1	Engine Metal Kit (-0.20Mm/+0.20Mm)
120	98-9666	1	Key	230	130-1499	1	Engine Metal Kit (-0.40Mm/+0.40Mm)
130	127-0445	1	Gear-Drive, Oil Pump				
140	98-9522	1	Sleeve-Crankshaft				
150	127-0444	1	Collar-Crankshaft				



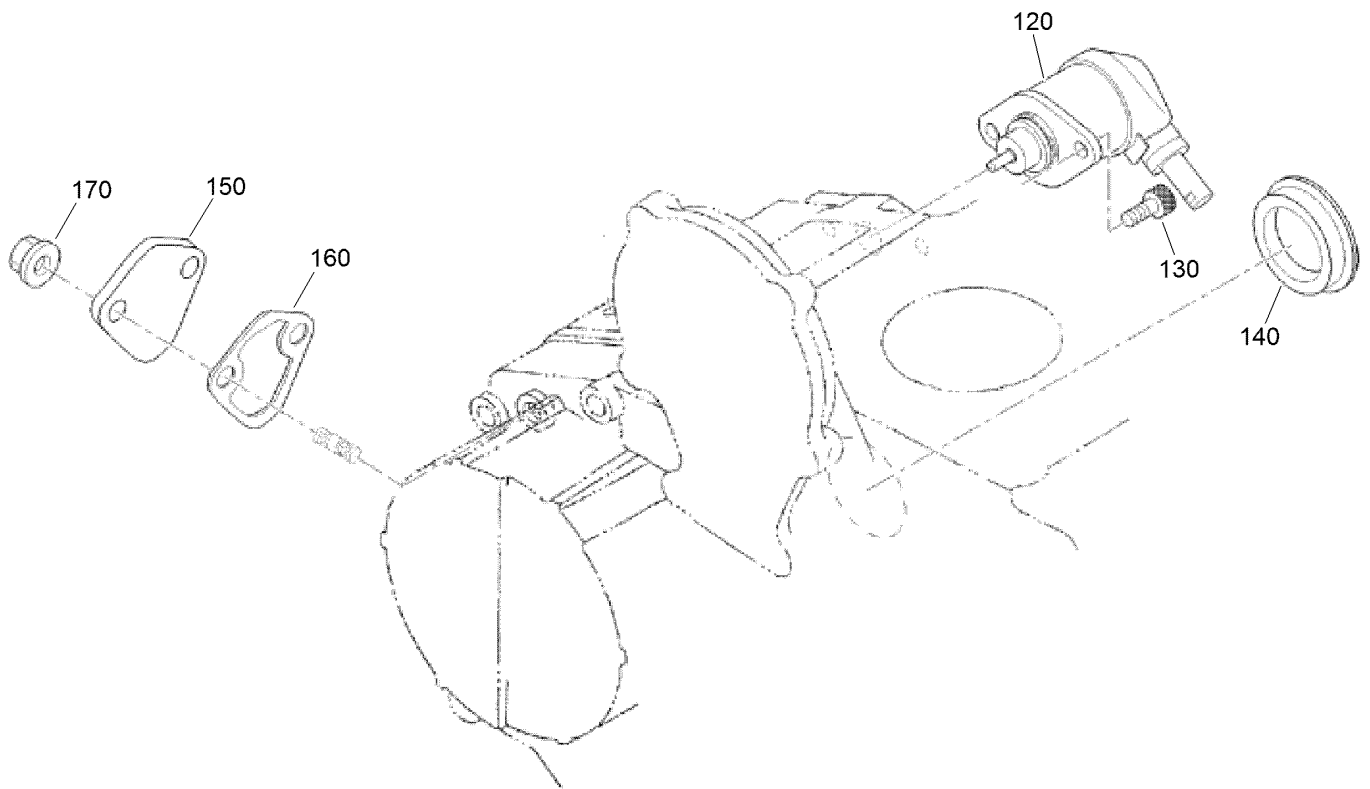
Fuel Camshaft and Governor Shaft Assembly

<i>Ref.</i>	<i>Part Number</i>	<i>Qty.</i>	<i>Description</i>	<i>Ref.</i>	<i>Part Number</i>	<i>Qty.</i>	<i>Description</i>
10	139-4547	1	Camshaft-Fuel	110	98-9673	1	Gear-Governor
20	107-9077	1	Bearing-Ball	120	98-9561	1	Holder-Weight, Governor
30	107-9078	1	Bearing-Ball	130	98-9559	2	Governor Weight ASM
40	130-1512	1	Nut	140	98-9560	2	Shaft-Weight, Governor
50	120-2562	1	Gear-Pump, Injection	150	98-9692	2	Roller
60	98-9595	1	Key-Woodruff	160	98-9563	1	Sleeve-Governor
70	98-9511	1	Stopper-Fuel, Camshaft	170	98-9564	1	Washer-Thrust
80	98-7692	2	Bolt	180	107-9079	1	Bearing-Ball
90	98-9644	1	Governor Shaft ASM	190	98-9657	1	Circlip-Shaft, Governor
100	98-9562	1	Holder-Gear, Governor	200	98-9565	1	Screw-Set



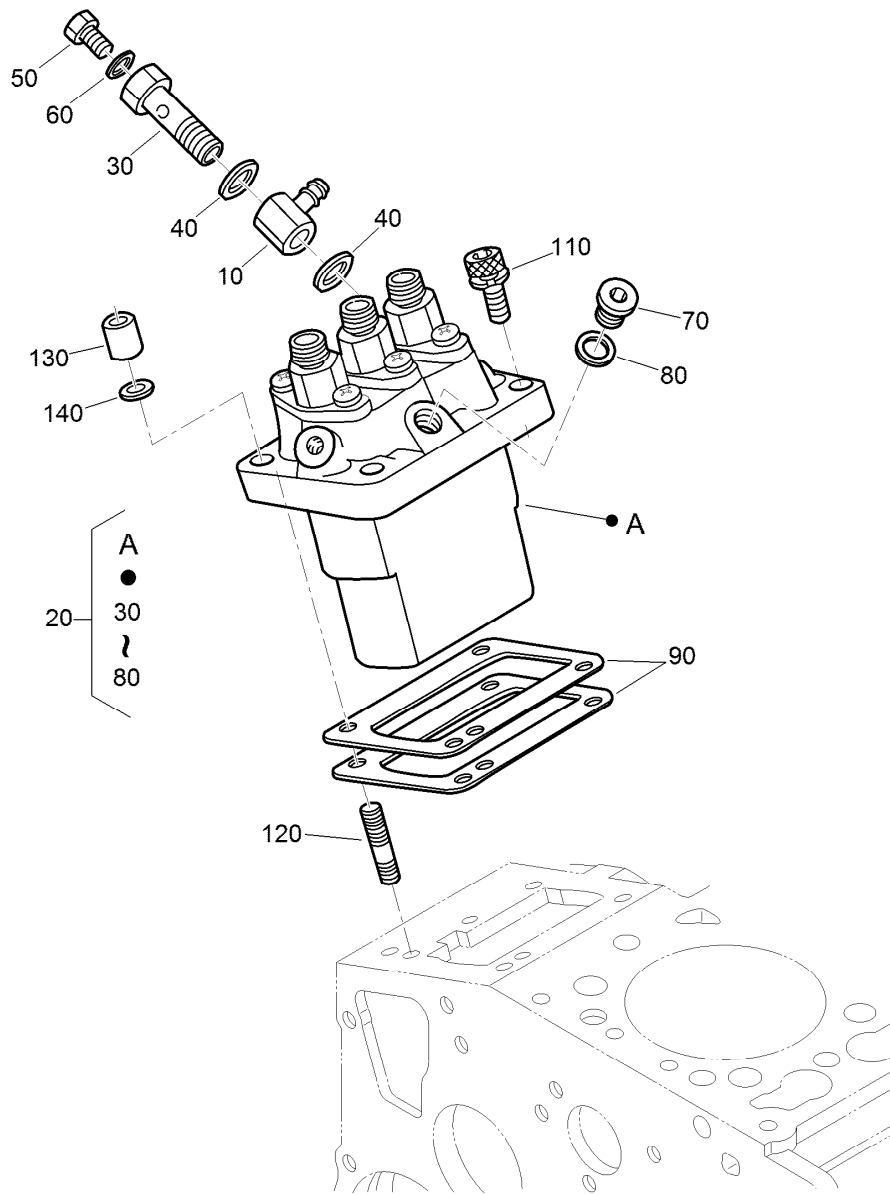
Idle Apparatus and Stop Solenoid Assembly

Ref.	Part Number	Qty.	Description
10	98-9678	1	Idle Apparatus ASM
20	112-7014	1	Adjusting Bolt ASM
30	98-9439	1	Nut
40	112-0181	1	Nut
50	98-7654	2	Gasket
60	98-7656	1	Cap
65	140-2470	1	Adjusting Bolt ASM
80	139-4548	1	Nut-Lock
85	140-2471	1	Cap Nut ASM
98	140-2472	1	Circlip-Int
100	98-7654	1	Gasket
110	107-9081	1	Gasket
120	131-6556	1	Bolt
130	98-7572	1	Nut
140	98-7654	1	Gasket



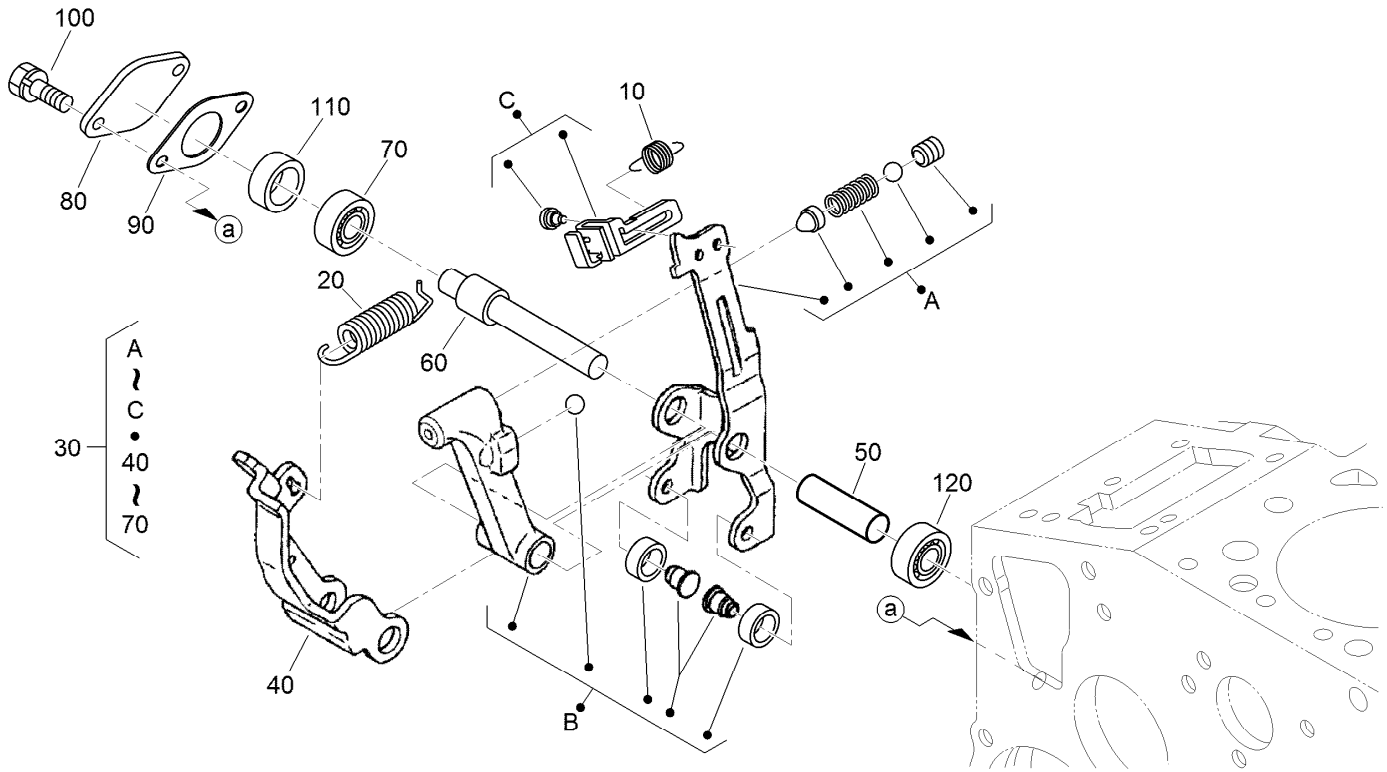
Solenoid Assembly

<i>Ref.</i>	<i>Part Number</i>	<i>Qty.</i>	<i>Description</i>
120	104-5155	1	Solenoid-Stop
130	130-1155	2	Screw-HSH
140	112-7016	1	Cover-Pump
150	99-3514	1	Cover
160	117-7562	1	Gasket-Pump, Fuel
170	100-2203	2	Nut-Flange



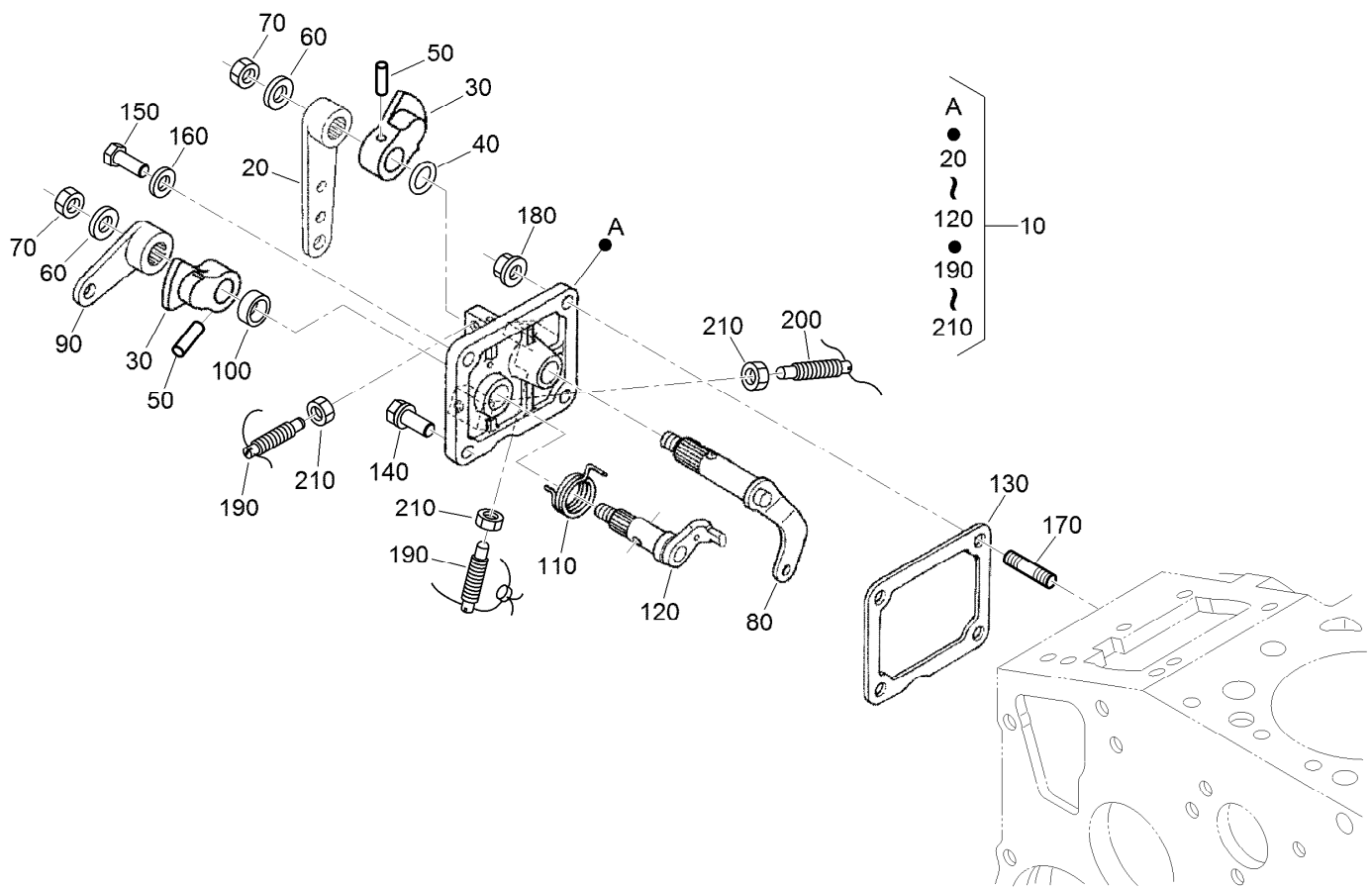
Injection Pump Assembly

<i>Ref.</i>	<i>Part Number</i>	<i>Qty.</i>	<i>Description</i>	<i>Ref.</i>	<i>Part Number</i>	<i>Qty.</i>	<i>Description</i>
10	139-4549	1	Joint-Eye	90	98-9457	1	Shim-Injection (0.25MM)
20	98-9643	1	Injection Pump ASM	90	98-9458	1	Shim-Injection (0.30MM)
30	98-9464	1	Bolt-Joint	90	115-3046	1	Shim-Injection (0.35MM)
40	98-9445	2	Gasket	90	115-3045	1	Shim-Injection (0.175MM)
50	98-9430	1	Screw	110	117-7564	2	Bolt-Hex Soc HD
60	98-9446	1	Gasket	120	98-9438	2	Stud
70	98-9466	1	Plug	130	98-9440	2	Nut-Cap
80	98-9451	1	Gasket	140	98-7699	2	Washer-Spring
90	98-9456	1	Shim-Injection (0.20MM)				



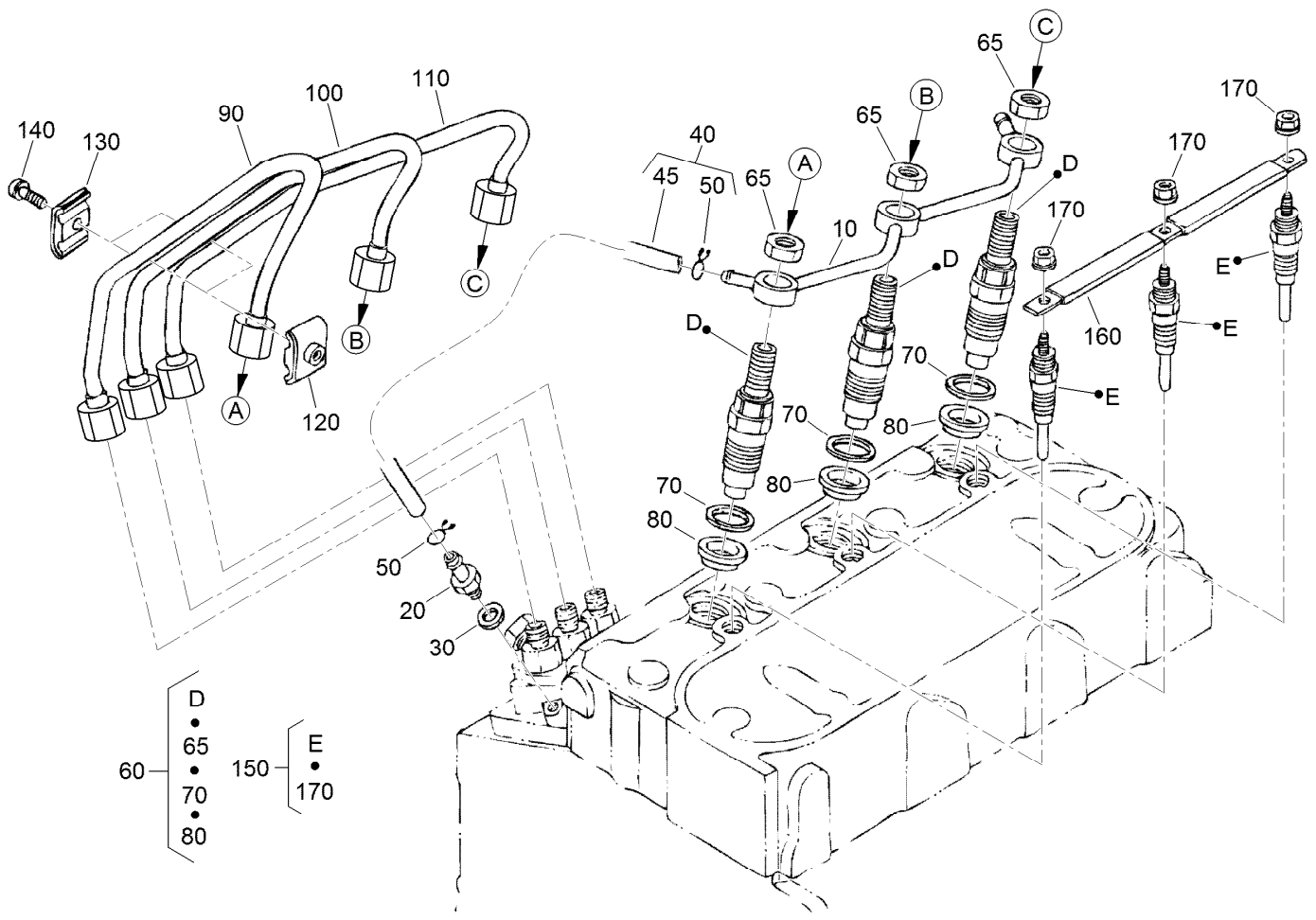
Governor Assembly

<i>Ref.</i>	<i>Part Number</i>	<i>Qty.</i>	<i>Description</i>
10	105-3786	1	Spring-Start
20	98-9681	1	Spring-Governor
30	145-2812	1	Fork Lever ASM
40	107-9084	1	Lever-Fork
50	107-9085	1	Shaft-Lever, Fork
60	107-9086	1	Shaft-Lever, Fork
70	98-9570	1	Bearing-Miniaturize
80	115-4122	1	Cover-Shaft, Fork Lever
90	98-9682	1	Gasket
100	98-9350	2	Bolt
110	98-9567	1	Collar
120	98-9571	1	Bearing-Miniaturize



Speed Control Plate Assembly

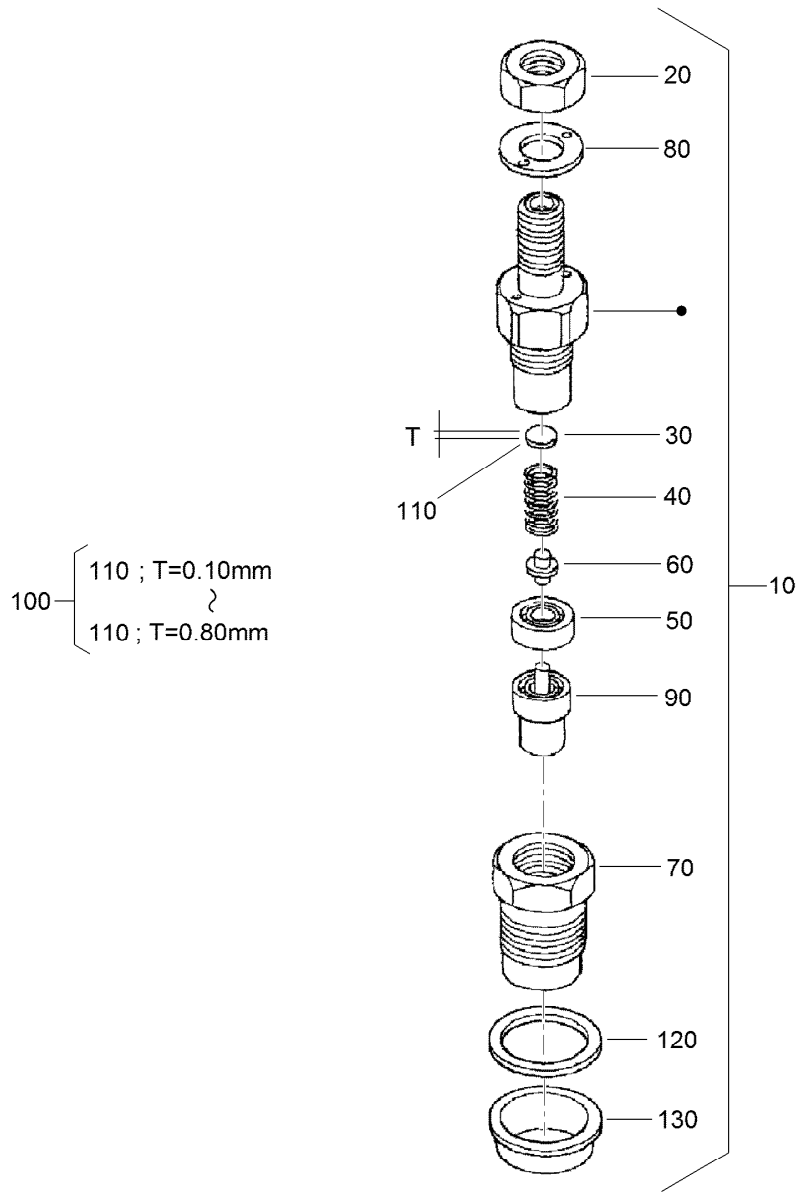
Ref.	Part Number	Qty.	Description	Ref.	Part Number	Qty.	Description
10	105-3735	1	Control Plate ASM	120	98-9664	1	Shaft-Lever, Stop
20	98-9662	1	Lever-Control, Speed	130	98-9637	1	Gasket
30	98-9572	2	Lever-Control, Speed	140	98-7692	1	Bolt
40	105-3788	1	O-Ring	150	127-0401	1	Bolt-Hex
50	98-7602	2	Pin-Spring	160	98-7654	1	Gasket
60	98-9594	2	Washer-Plain	170	105-3710	2	Stud
70	98-9589	2	Nut	180	100-2203	2	Nut-Flange
80	98-9658	1	Governor Lever ASM	190	117-7565	2	Bolt-Adjusting
90	98-9663	1	Lever-Stop, Engine	200	117-7566	1	Bolt-Adjusting
100	98-7601	1	Seal-Oil	210	98-7572	3	Nut
110	98-9472	1	Spring-Return				



Nozzle Holder and Glow Plug Assembly

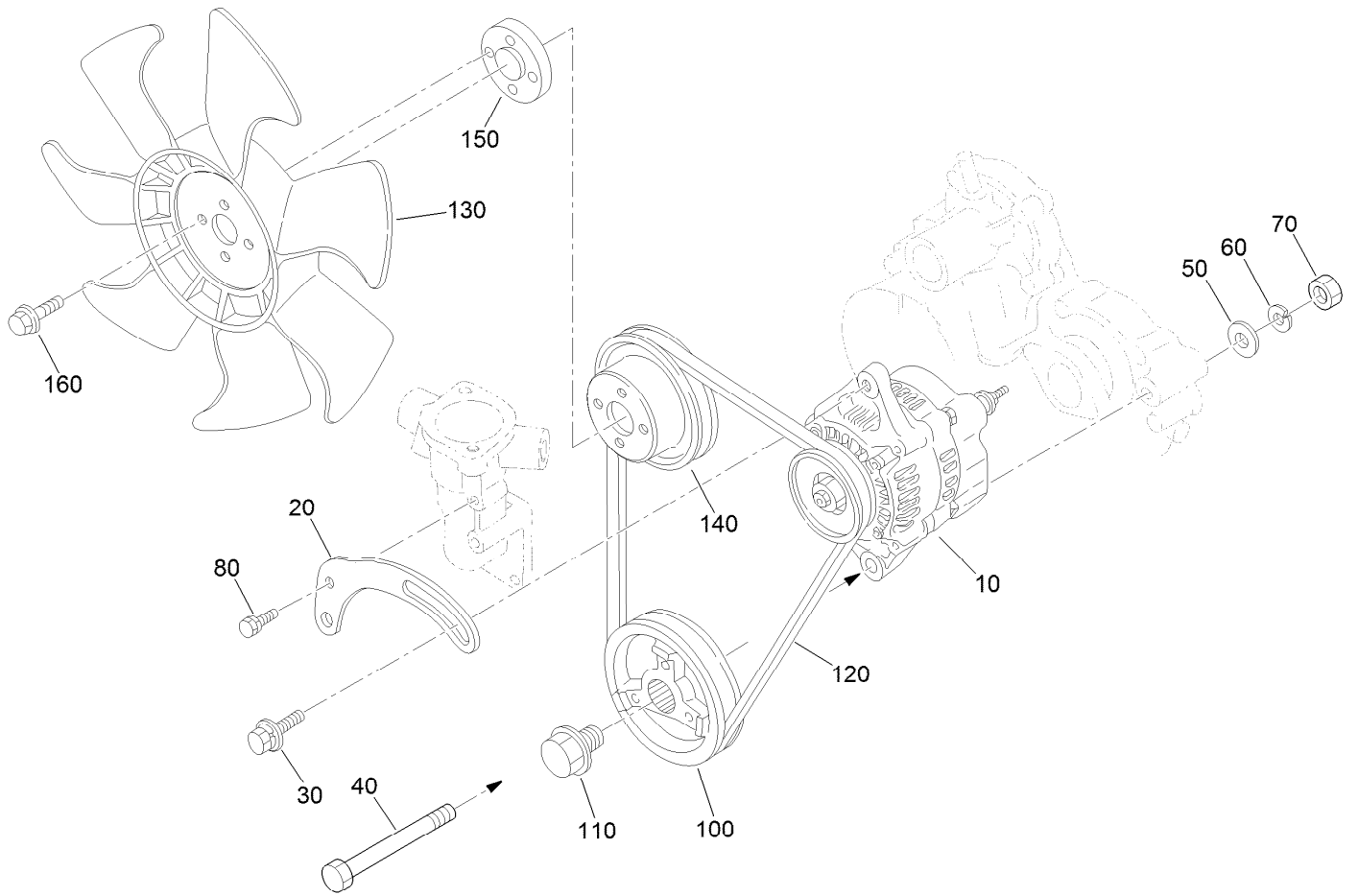
<i>Ref.</i>	<i>Part Number</i>	<i>Qty.</i>	<i>Description</i>
10	98-9620	1	Overflow Pipe ASM
20	98-9431	1	Screw-Bleeder, Air
30	98-7654	1	Gasket
40	140-2456	1	Overflow Pipe ASM
45	140-2457	1	Pipe-Overflow
50	98-7671	2	Clip-Pipe
60	115-3018	3	Nozzle Holder Kit
65	121-2411	3	Nut
70	98-7676	3	Gasket
80	98-7677	3	Seal-Heat

<i>Ref.</i>	<i>Part Number</i>	<i>Qty.</i>	<i>Description</i>
90	98-9622	1	Pipe-Injection
100	98-9654	1	Pipe-Injection
110	98-9655	1	Pipe-Injection
120	98-7682	2	Clamp-Pipe
130	98-7683	2	Clamp-Pipe
140	98-7684	2	Screw (W/Washer)
150	130-1411	3	Plug-Glow
160	98-9631	1	Cord-Plug, Glow
170	99-8377	3	Nut-Flange



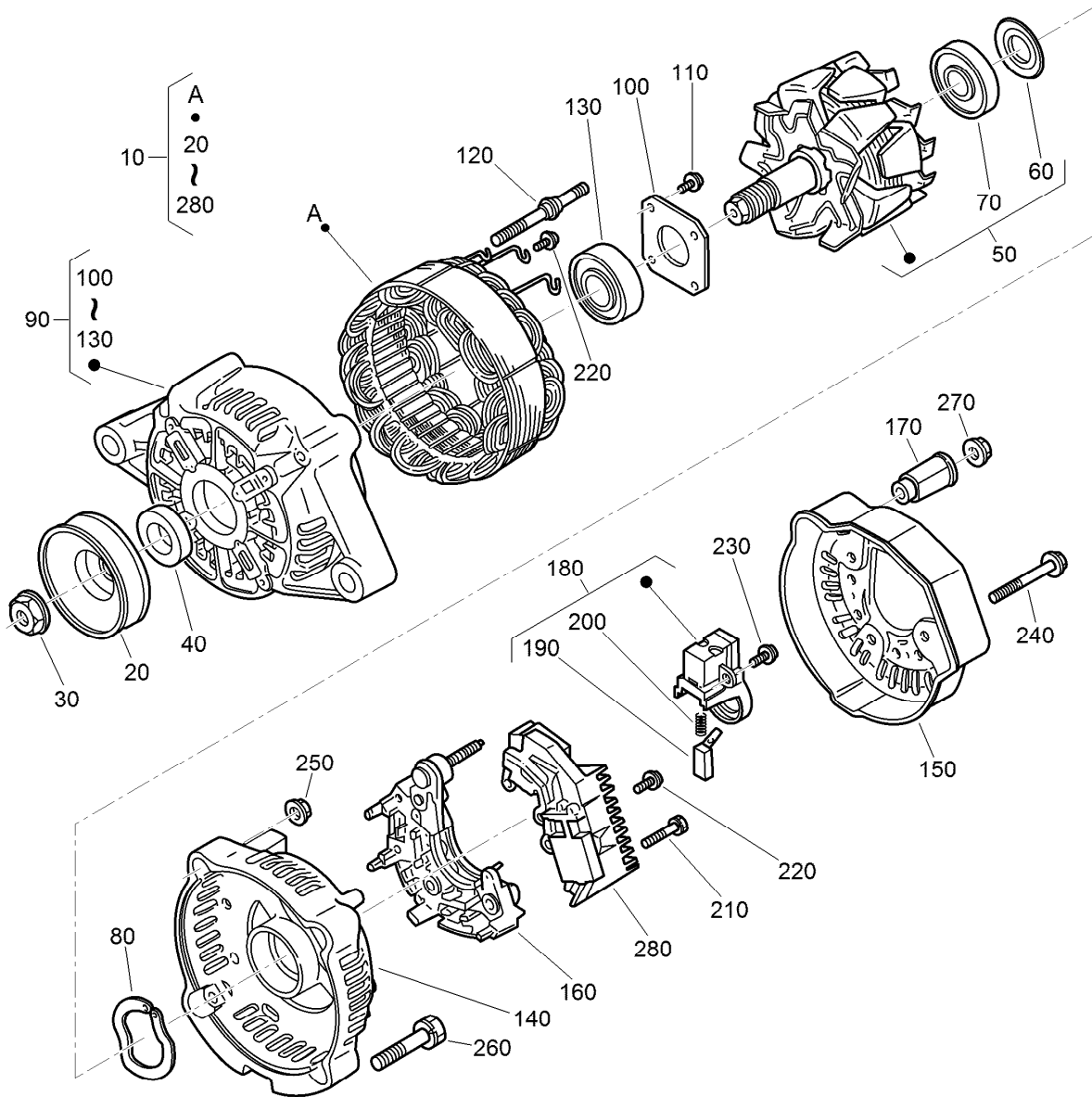
Nozzle Holder Assembly

<i>Ref.</i>	<i>Part Number</i>	<i>Qty.</i>	<i>Description</i>	<i>Ref.</i>	<i>Part Number</i>	<i>Qty.</i>	<i>Description</i>
10	115-3018	3	Nozzle Holder Kit	110	99-8311	3	Washer-Adjust (0.20MM)
20	121-2411	3	Nut	110	99-8312	3	Washer-Adjust (0.30MM)
30	99-8302	3	Washer-Adjusting	110	99-8313	3	Washer-Adjust (0.40MM)
40	99-8303	3	Spring-Nozzle	110	99-8314	3	Washer-Adjust (0.50MM)
50	99-8304	3	Spacer-Distance	110	99-8315	3	Washer-Adjust (0.52MM)
60	99-8305	3	Rod-Push	110	99-8316	3	Washer-Adjust (0.54MM)
70	99-8306	3	Nut-Nozzle	110	99-8317	3	Washer-Adjust (0.56MM)
80	99-8307	3	Washer-Plain	110	99-8318	3	Washer-Adjust (0.58MM)
90	115-3020	3	Piece-Nozzle	110	99-8319	3	Washer-Adjust (0.80MM)
100	99-8309	3	Adjusting Washer ASM	120	98-7676	3	Gasket
110	99-8310	3	Washer-Adjust (0.10MM)	130	98-7677	3	Seal-Heat



Alternator, Pulley and Fan Assembly

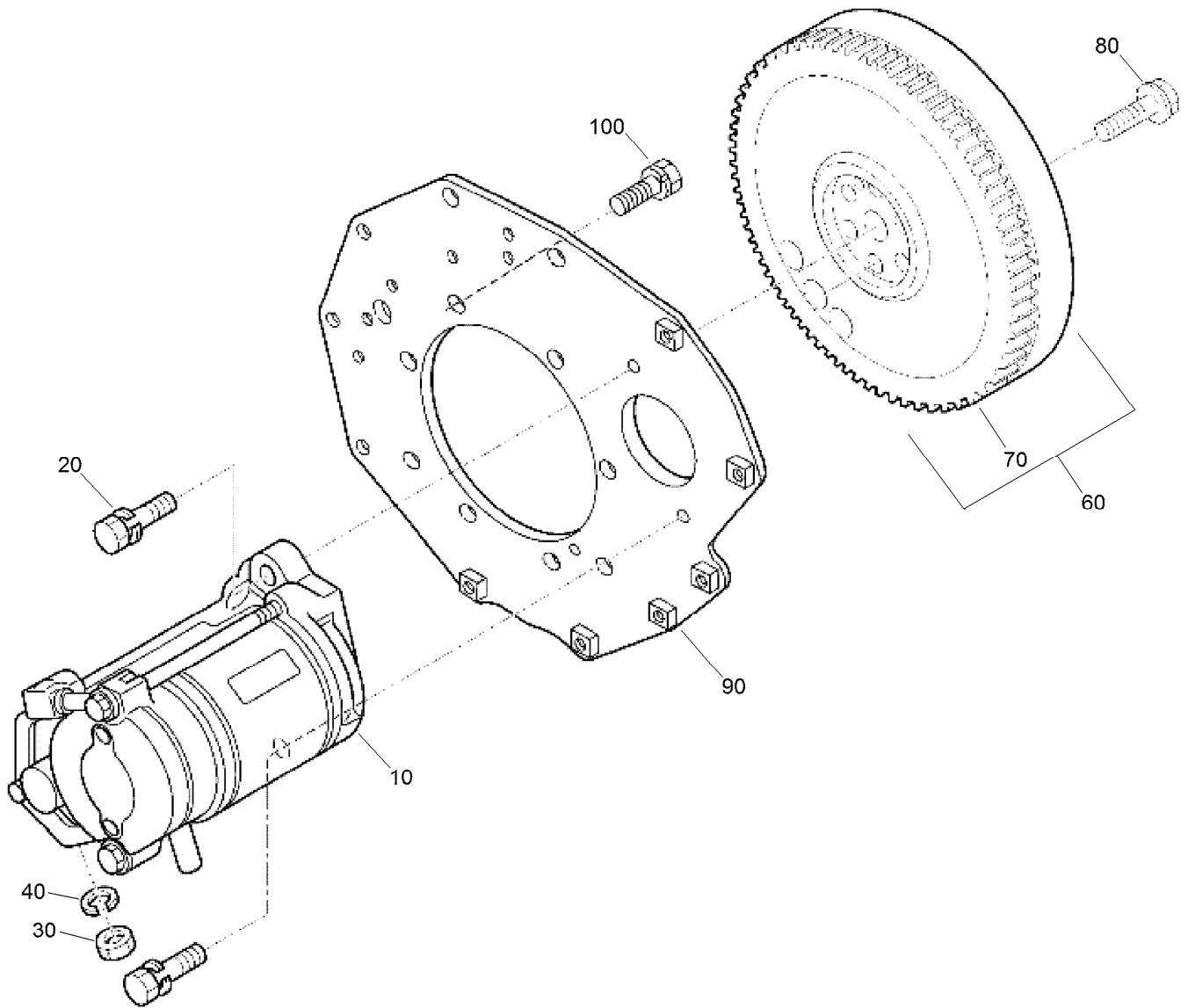
Ref.	Part Number	Qty.	Description
10	131-6557	1	Alternator ASM
20	112-7047	1	Stay-Dynamo
30	108-7088	1	Bolt
40	98-9360	1	Bolt
50	98-9366	1	Washer-Plain
60	98-7738	1	Washer-Spring
70	98-7737	1	Nut
80	98-7692	1	Bolt
100	98-9473	1	Pulley-Drive, Fan
110	98-9585	1	Bolt
120	104-3494	1	Belt-V
130	104-4246	1	Fan-Engine
140	130-1567	1	Pulley-Fan
150	108-2872	1	Collar-Fan
160	108-2873	4	Bolt-Flange



Alternator Assembly No. 131-6557

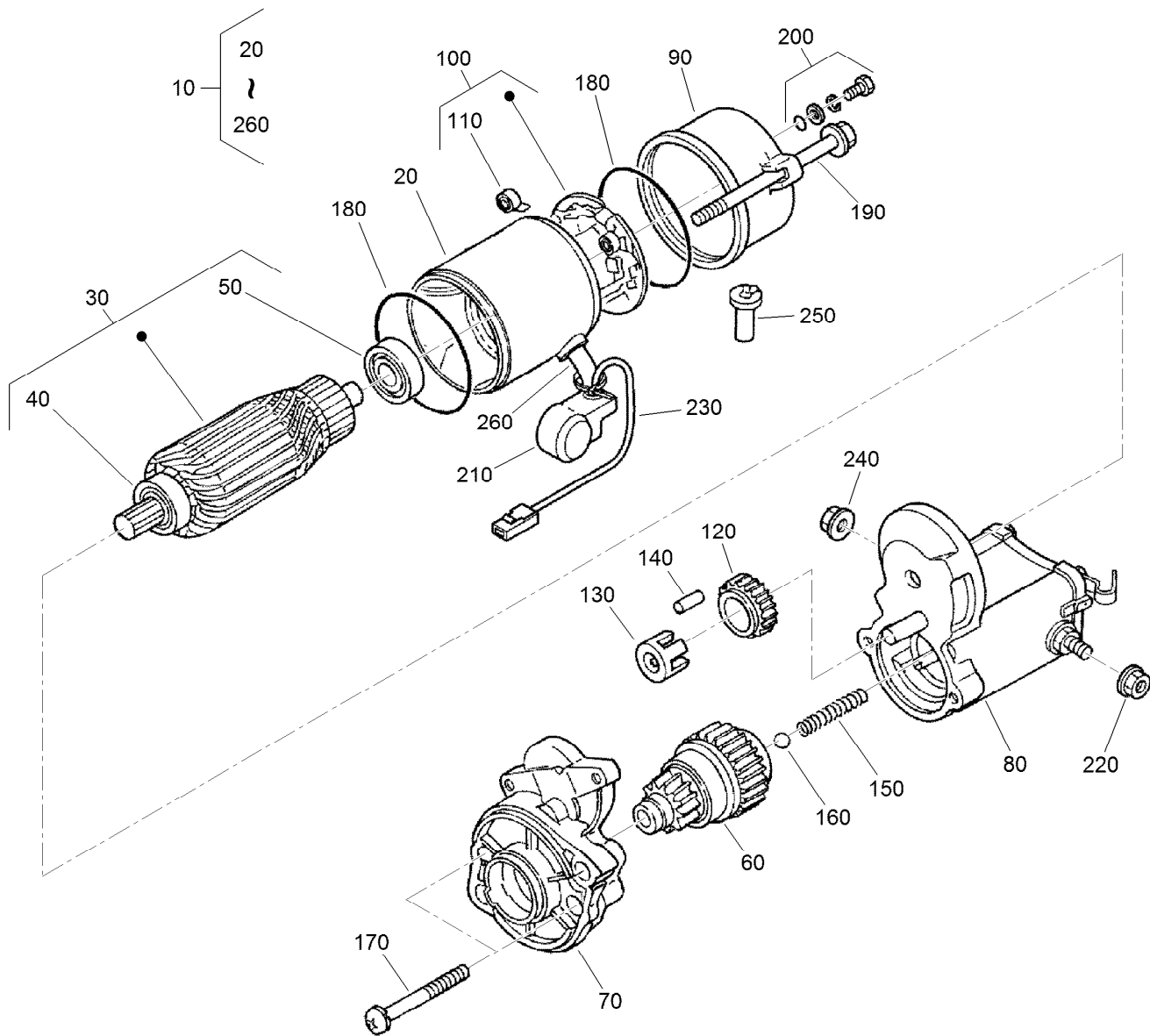
Ref.	Part Number	Qty.	Description
10	131-6557	1	Alternator ASM
20	98-9453	1	Pulley-Dynamo
30	98-7708	1	Nut
40	98-7709	1	Collar
50	107-0136	1	Rotor ASM
60	98-7711	1	Cover-Bearing
70	107-0138	1	Bearing-Ball
80	98-7713	1	Washer-Thrust
90	131-6559	1	Frame-End, Drive
100	98-7715	1	Plate-Retainer
110	98-7716	4	Screw-Head, Round
120	98-7717	2	Bolt-Through
130	133-2811	1	Bearing
140	107-9087	1	Frame-End

Ref.	Part Number	Qty.	Description
150	107-0140	1	Cover-End
160	127-1612	1	Rectifier ASM
170	98-7722	1	Bushing-Insulation
180	107-0141	1	Brush Holder ASM
190	98-7724	2	Brush
200	98-7725	2	Spring-Brush
210	98-7726	2	Screw-Head, Round
220	98-7727	6	Screw-Head, Round
230	98-7728	1	Screw-Head, Round
240	98-7729	3	Bolt
250	98-7730	2	Nut
260	98-7731	2	Bolt
270	98-7732	1	Nut
280	140-2458	1	Regulator ASM



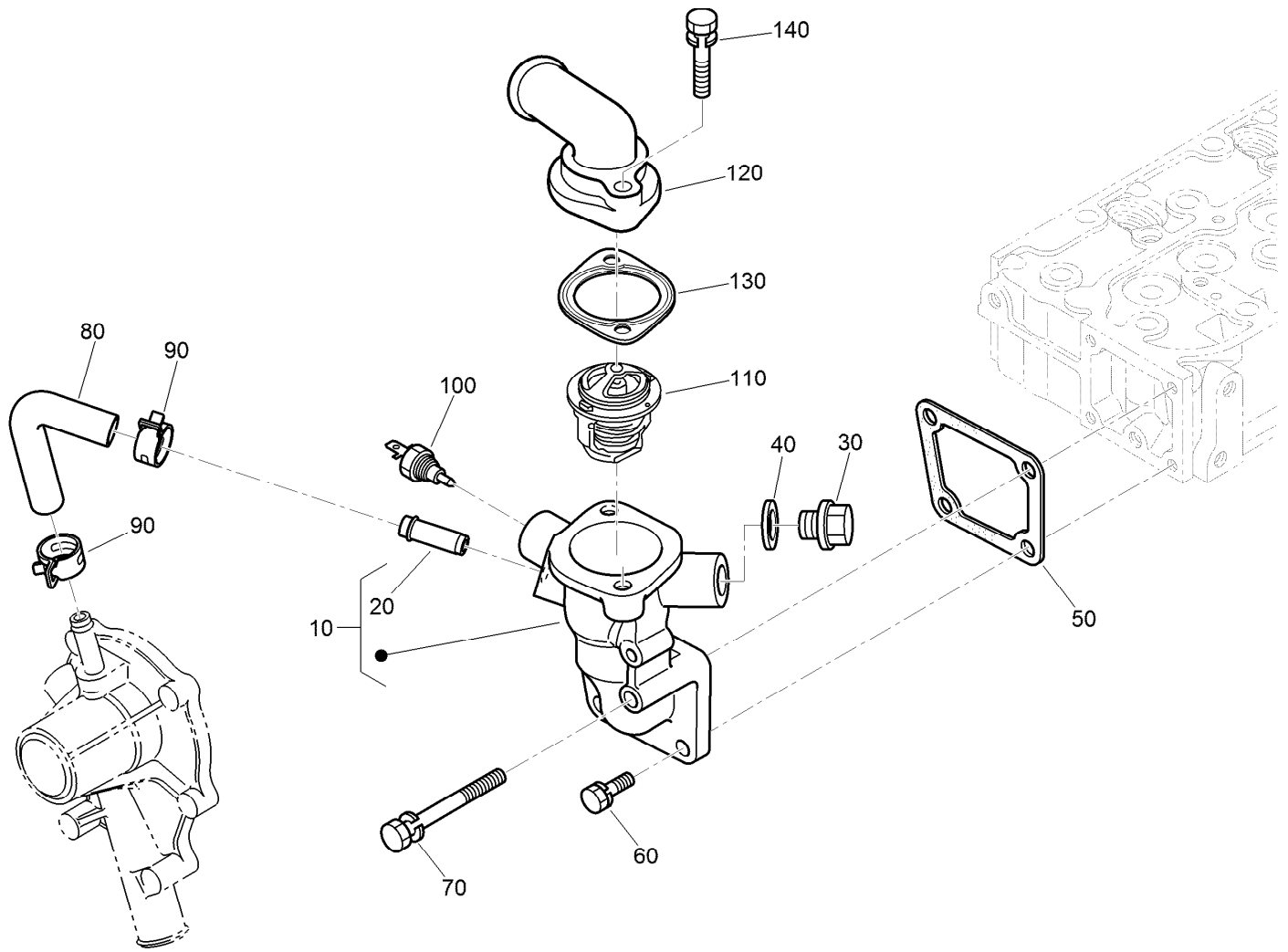
Starter and Flywheel Assembly

<i>Ref.</i>	<i>Part Number</i>	<i>Qty.</i>	<i>Description</i>
10	98-9705	1	Starter ASM
20	98-7697	2	Bolt
30	98-7534	1	Nut
40	105-2893	1	Washer-Spring
60	105-3784	1	Flywheel ASM
70	115-3015	1	Gear-Ring
80	98-9537	6	Bolt-Flywheel
90	98-9486	1	Plate-End, Rear
100	98-9392	8	Bolt



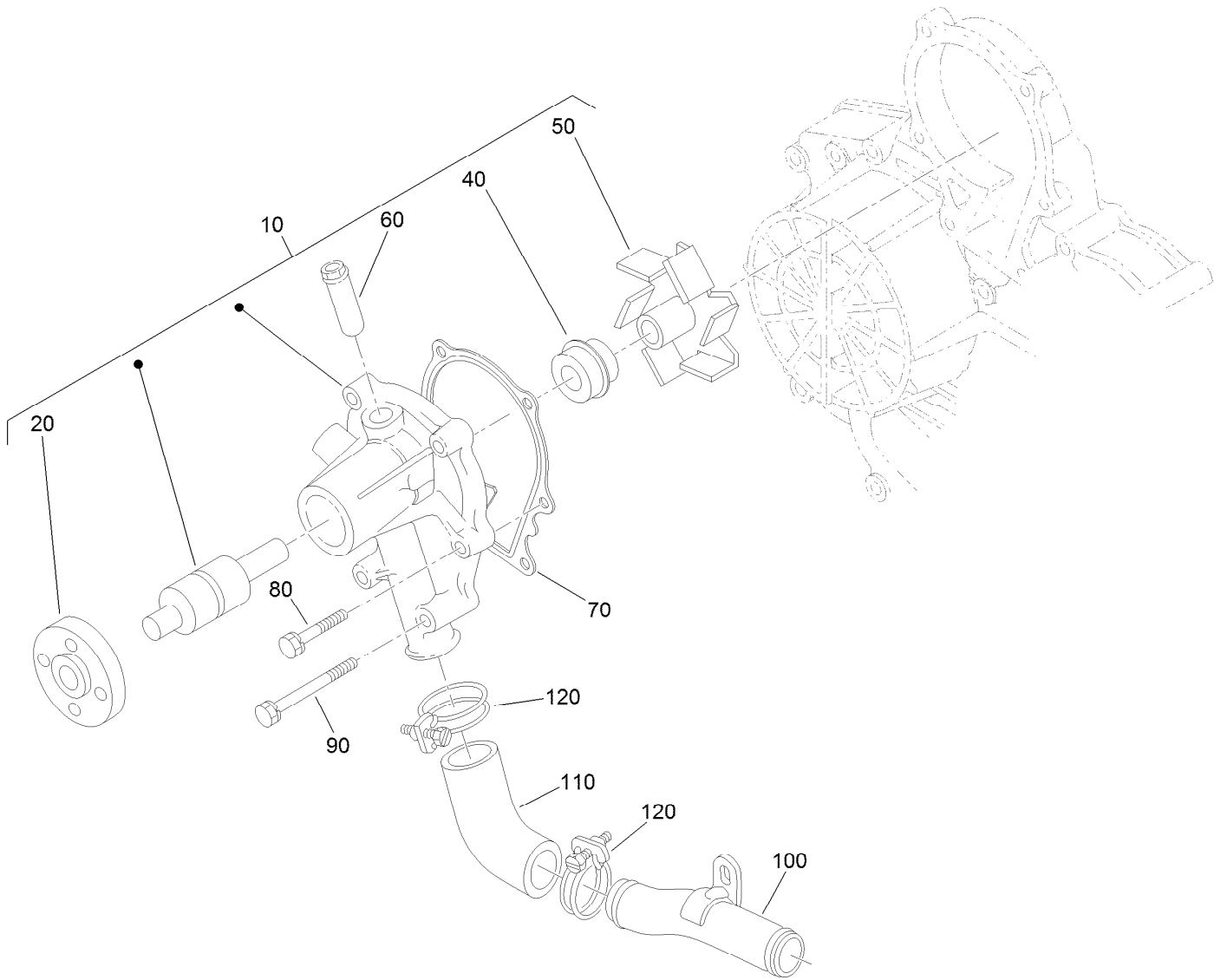
Starter Component Assembly

<i>Ref.</i>	<i>Part Number</i>	<i>Qty.</i>	<i>Description</i>	<i>Ref.</i>	<i>Part Number</i>	<i>Qty.</i>	<i>Description</i>
10	98-9705	1	Starter ASM	140	98-7753	5	Roller
20	104-8608	1	Yoke ASM	150	98-7754	1	Spring
30	98-7742	1	Armature ASM	160	98-7755	1	Ball
40	98-7744	1	Bearing	170	98-7756	2	Bolt
50	98-7743	1	Bearing	180	98-7757	2	O-Ring
60	99-8373	1	Clutch-Running, Over	190	100-9240	2	Bolt
70	99-8374	1	Frame-End, Drive	200	98-7758	2	Bolt ASM
80	105-3746	1	Magnetic Switch ASM	210	99-8375	1	Cover
90	98-7748	1	Frame-End	220	99-8371	1	Nut-Hex
100	98-7749	1	Brush Holder ASM	230	98-9711	1	Cord-Solenoid, Stop
110	98-7750	4	Spring-Brush	240	99-8376	1	Nut-Hex
120	98-7751	1	Gear	250	98-7759	1	Pipe-Drain
130	98-7752	1	Retainer	260	98-9712	1	Band-Cover



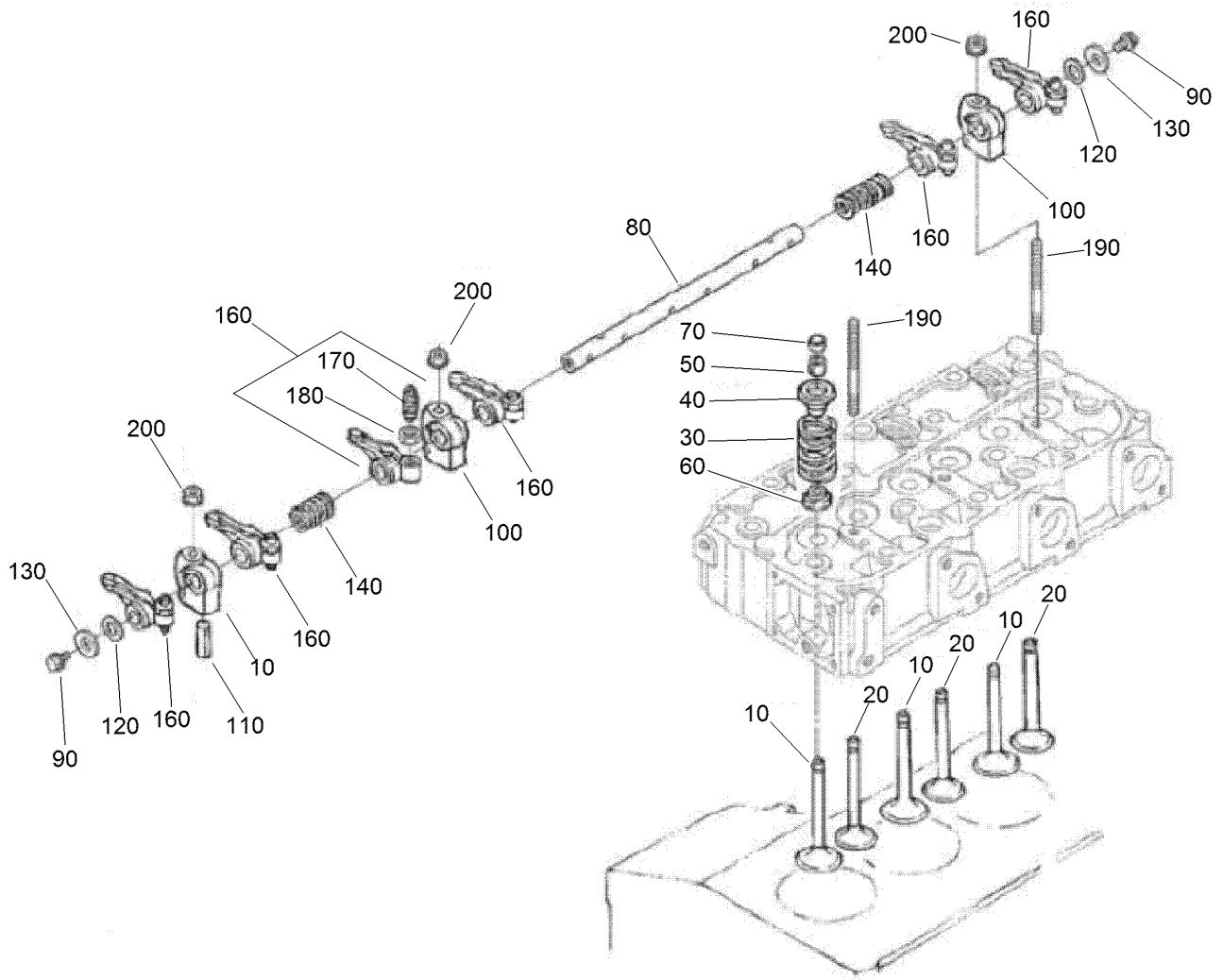
Water Flange and Thermostat Assembly

<i>Ref.</i>	<i>Part Number</i>	<i>Qty.</i>	<i>Description</i>
10	98-9713	1	Water Flange ASM
20	98-9580	1	Pipe-Return, Water
30	105-3747	1	Plug
40	99-3583	1	Gasket
50	98-9638	1	Gasket-Flange, Water
60	98-7692	3	Bolt
70	98-9356	1	Bolt
80	98-9578	1	Pipe-Return, Water
90	125-9078	2	Clamp-Hose
100	98-9719	1	Thermoswitch
110	98-7778	1	Thermostat ASM
120	104-4804	1	Outlet-Water
130	105-3748	1	Gasket-Thermostat
140	98-7777	2	Bolt



Water Pump Assembly

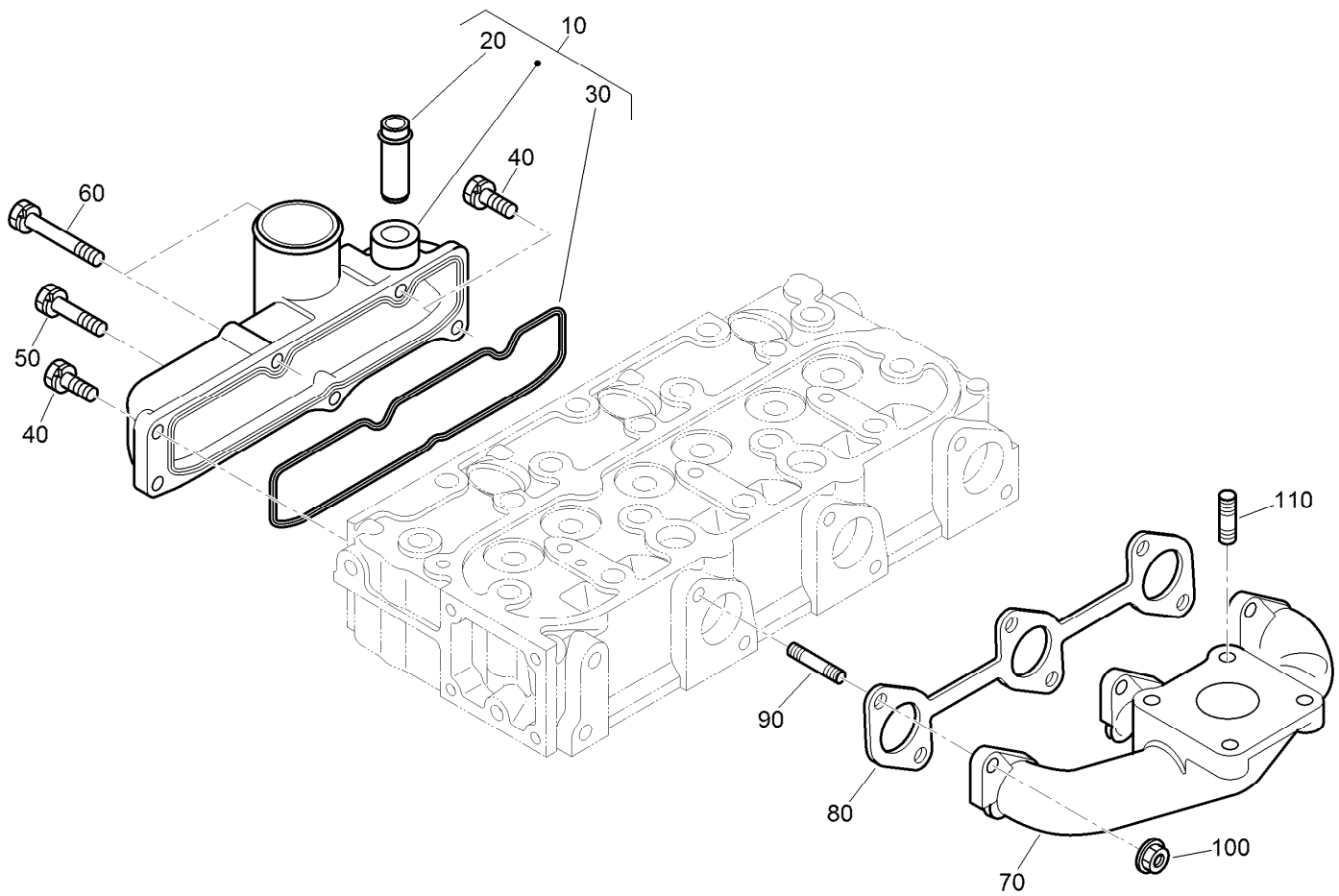
Ref.	Part Number	Qty.	Description
10	107-9089	1	Water Pump ASM
20	99-3516	1	Flange-Pump, Water
40	105-3750	1	Mechanical Seal ASM
50	112-7017	1	Impeller-Pump, Water
60	100-1932	1	Pipe-Return, Water
70	99-3454	1	Gasket-Pump, Water
80	98-9353	4	Bolt
90	107-9090	2	Bolt
100	98-9716	1	Pipe-Water
110	107-9091	1	Pipe-Water
120	127-0439	2	Clamp-Hose



Valve and Rocker Arm Assembly

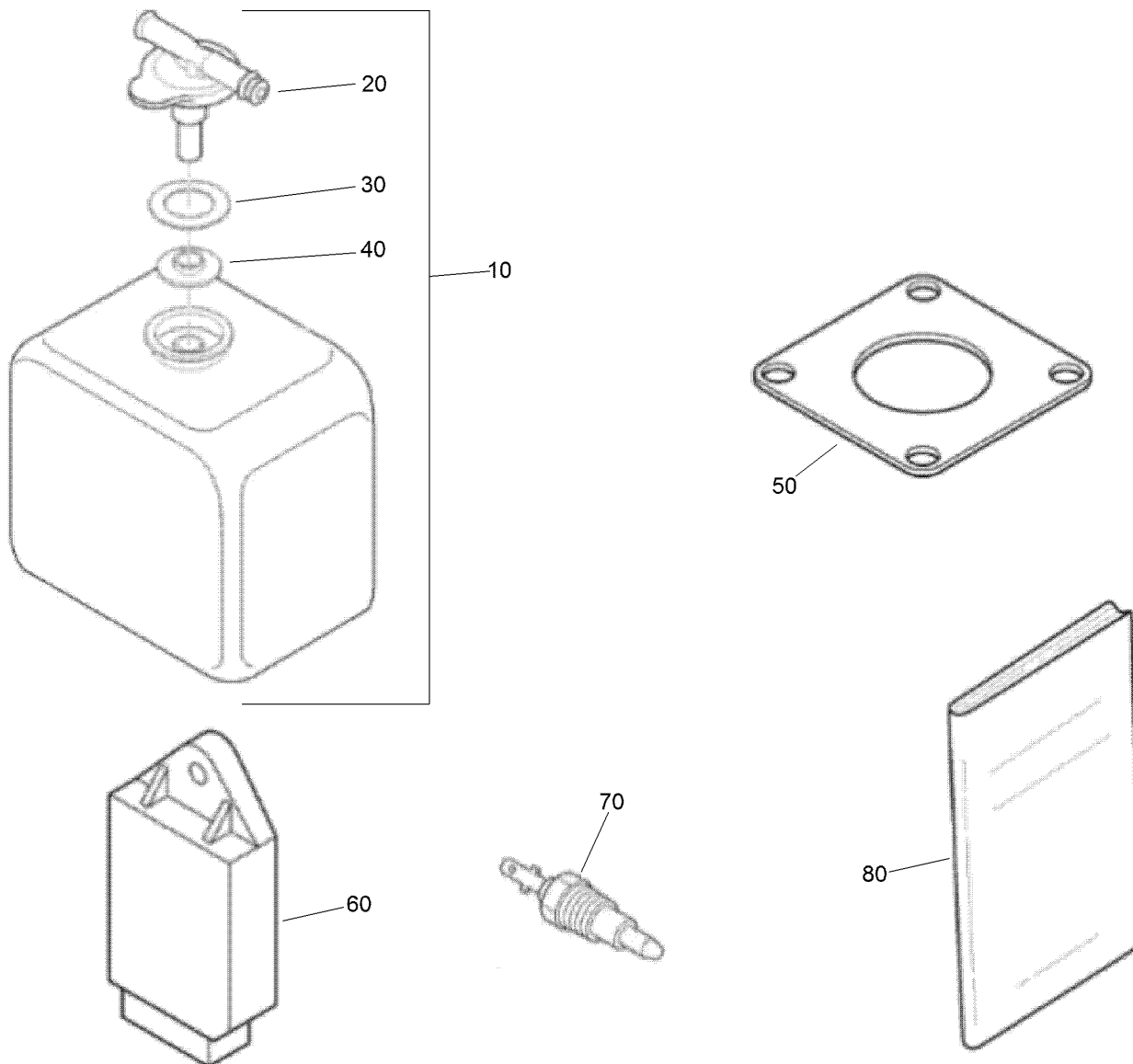
Ref.	Part Number	Qty.	Description
10	140-2459	3	Valve-Inlet
20	140-2460	3	Valve-Exhaust
30	98-9648	6	Spring-Valve
40	107-9092	6	Retainer-Spring
50	117-7572	6	Collet-Spring, Valve
60	99-8385	6	Seal-Stem, Valve
70	98-9497	6	Cap-Valve
80	130-1248	1	Shaft-Arm, Rocker
90	99-8363	2	Bolt-Flange
100	98-9505	3	Bracket-Arm, Rocker

Ref.	Part Number	Qty.	Description
110	105-3758	1	Pin-Spring
120	98-9507	2	Washer-Shaft, Rocker Arm
130	110-3832	2	Washer-Plain
140	98-9504	2	Spring-Arm, Rocker
160	112-7020	6	Rocker Arm ASM
170	98-9502	6	Screw-Adjusting
180	98-9503	6	Nut
190	98-9506	3	Stud
200	131-6563	3	Nut-Flange



Inlet and Exhaust Manifold Assembly

<i>Ref.</i>	<i>Part Number</i>	<i>Qty.</i>	<i>Description</i>
10	107-7843	1	Manifold Inlet ASM
20	98-9492	1	Joint-Pipe, Breather
30	98-9609	1	Gasket-Manifold, Inlet
40	127-0403	3	Bolt-Flange
50	98-9353	1	Bolt
60	125-9063	2	Bolt-Sems
70	107-9093	1	Manifold-Exhaust
80	99-8327	1	Gasket-Manifold, Exhaust
90	98-9588	6	Stud
100	98-9665	6	Nut
110	98-7769	4	Stud



Miscellaneous Engine Parts

<i>Ref.</i>	<i>Part Number</i>	<i>Qty.</i>	<i>Description</i>
10	104-9318	1	Bottle-Overflow
20	115-4132	1	Cap
30	105-3755	1	Gasket
40	105-3756	1	Plate
50	99-8343	1	Gasket-Muffler
60	140-2463	1	Controller-Glow
70	140-2462	1	Thermoswitch
80	140-2461	1	Manual-Operator

Attachments and Accessories

For 30849 — Groundsmaster 3505-D Rotary Mower

Product Name	Model/Part
Blade-High Lift	104-5183
Blade-Angle Sail	105-9810-03
Blade-Atomic	107-0235-03
27in Blade Service Pack (qty 6)	108-1462
Semi-Gloss Black Spray Paint	361-9
Blade-27in Combo	108-9026
27in Rotary Cutting Unit.....	30834
New Red Paint - Gallon	361-11
Leaf Mulching Kit	30836
3in Dia, 27in Sectional Roller Assembly.....	137-6145
Roller Scraper Kit.....	104-5168
Roller Asm (UHMW)	131-7800
Ballast Kit (27in C/U)	136-2881
PX Hydraulic Fluid (55 Gal).....	133-8087
PX Hydraulic Fluid (5 Gal)	133-8086
White Universal Sunshade	30669
Red Universal Sunshade	30671
Operator Cooling Fan	03247
Switch Panel-Universal Sunshade.....	03248
Beacon Kit	138-2699
Work Lights Kit, Groundsmaster and Reelmaster Traction Units with Universal Sunshade.....	140-1554
Power Harness Kit.....	138-2993
Wireless Hourmeter	115-4754
Bimini Sunshade for 2-Post Roll-Over Protection System.....	30358
Premium Seat Kit.....	30629
Hi-Back Seat Cover	133-1308
Wheel Weight Kit	136-3315
LED Work Light Kit.....	31692
3WD Kit, RM3105/GM3505	03229
Dark Metallic Gray Aerosol Paint	361-12
Air Dry Red Paint - Qt	5340
1000 Hour MVP Kit	44963
Hydraulic Booster-10.5 fl oz.....	145-5286
External Antenna Kit, Wireless Hourmeter System	115-9524
Base Station Kit, Wireless Hourmeter System	115-9542
Repeater Kit, Wireless Hourmeter System	115-9543



Count on it.