



**Count on it.**

**Parts Catalog**

**Workman® UTX**  
**2 Passenger Utility Vehicle**

Model No. 08100TC—Serial No. 40000000 and Up



# Ordering Replacement Parts

To order replacement parts, please supply the part number, the quantity, and the description of each part desired.

## Understanding Reference Numbers

Each identified part in an illustration has a reference number. The reference number for a part also appears in the parts list, along with other information about the part.

This catalog uses two special reference number formats, one to indicate parts in a service assembly and another to indicate the quantity of a given part in an illustration.

## Service Assembly Reference Numbers

Parts in service assemblies have reference numbers in the form a:b. The a represents the reference number of the entire service assembly and the b represents a sequential number unique to each part within the service assembly.

For example, a wheel assembly might be identified by reference number 6, the tire by 6:1, the valve by 6:2, and the wheel by 6:3. When you order the assembly identified by reference number 6, you receive all parts identified by reference numbers 6:1, 6:2, and 6:3. However, you may also order any part individually. Reference numbers of this type appear in illustration and in parts lists.

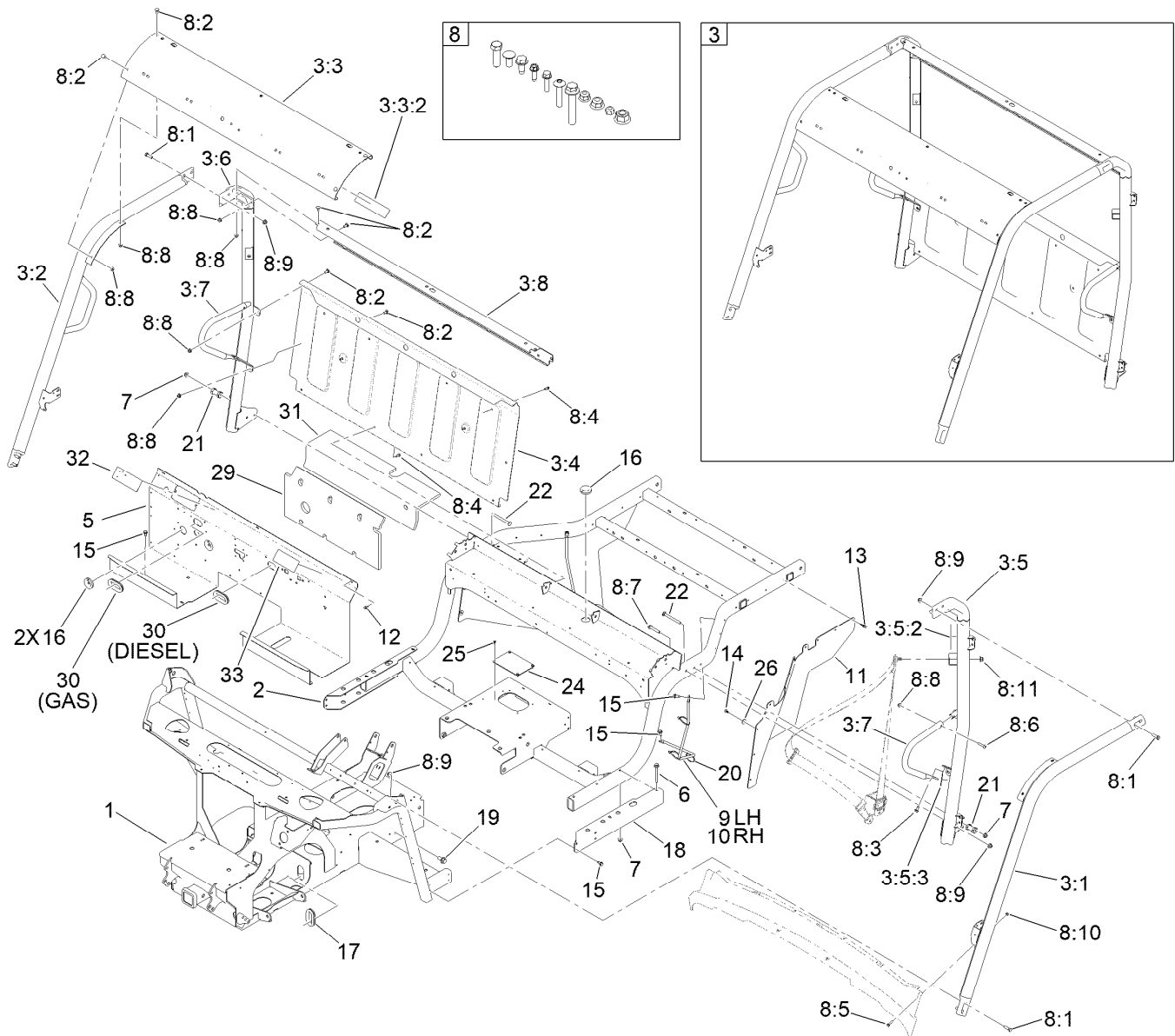
## Reference Numbers Indicating Quantity

In an illustration, if a reference number indicates more than one part, the reference number has the form nX y. The n represents the quantity of the part, the X is the multiplication symbol, and the y represents the reference number.

For example, in an illustration, the reference number 2X 37 means that two of the parts identified by reference number 37 are indicated.

# Contents

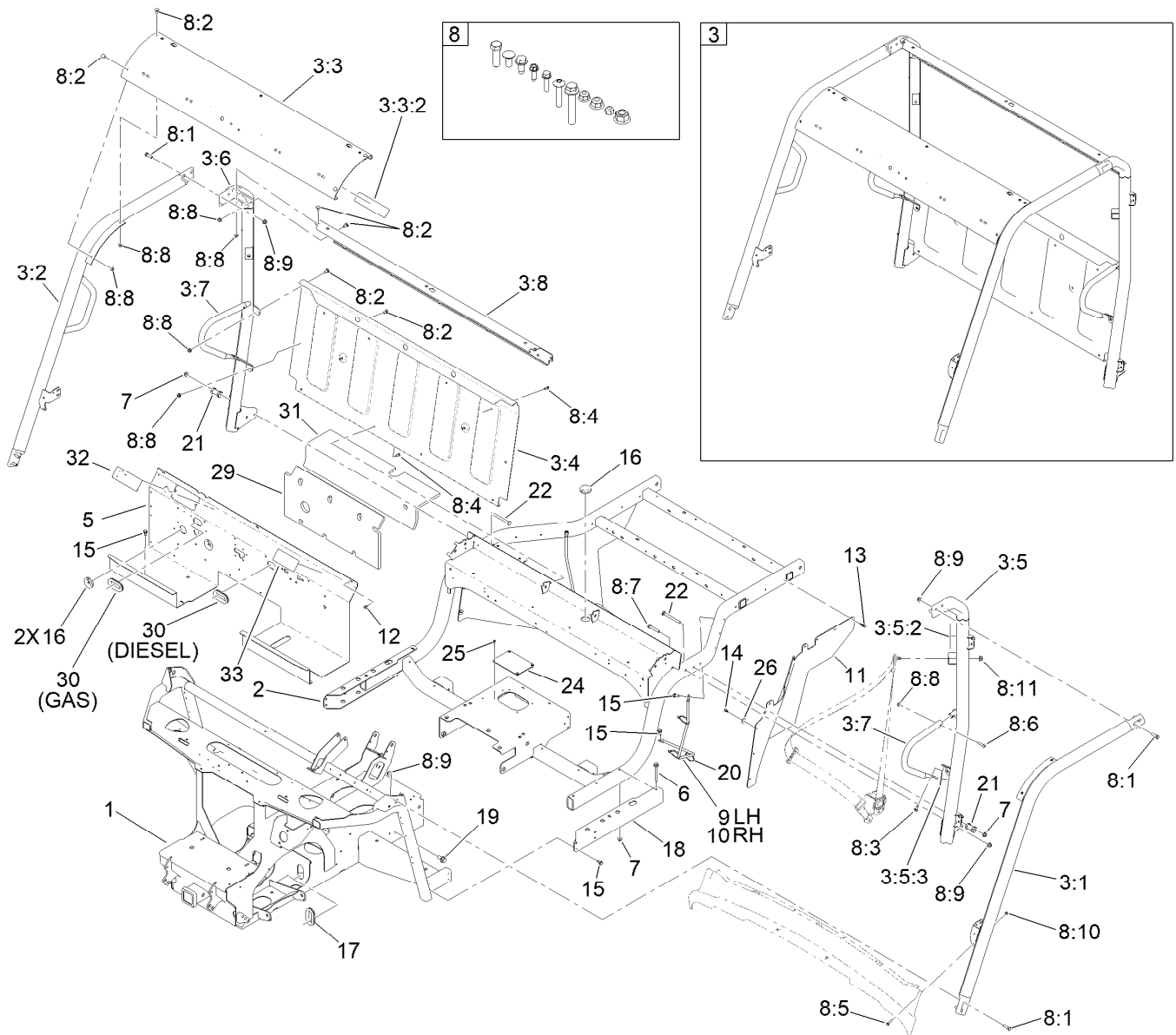
Frame and ROPS Assembly	4
Front Suspension Assembly	6
Front Control Arm Assembly No. 145-7771	7
Rear Suspension and Subframe Assembly	8
Pedals and Controls Assembly	10
Steering Assembly	11
Brake Assembly	12
Master Cylinder Assembly No. 104-6782	13
Brake Caliper Assembly No. 127-7424	14
Hood and Front Fender Assembly	15
Dash Assembly	16
Seat Base Assembly	17
Cargo Bed Assembly	18
Cargo Bed Kit Assembly	19
Electrical Assembly	20
Battery Assembly	22
Engine Drivetrain and Exhaust Assembly	23
Engine, Transaxle and Clutch Assembly	24
Secondary Clutch Assembly No. 139-4591	25
Primary Clutch Assembly No. 139-4590	26
Transaxle Assembly No. 140-2611	27
Front Differential and Driveshaft Assembly	28
Front Differential Assembly No. 140-4752	29
Intermediate Driveshaft Assembly No. 140-4771	30
Driveshaft Assembly No. 140-2647	31
Cooling System Assembly	32
Radiator Assembly No. 147-7970	33
Fuel System Assembly	34
Air Cleaner Assembly	35
Air Cleaner Assembly No. 106-5277	36
Hose Intake Assembly No. 145-2118	38
Cylinder Block Assembly	39
Crankshaft and Piston Assembly	40
Camshaft and Rocker Arm Assembly	41
Cylinder Head Assembly	42
Timing Cover Assembly	43
Intake Manifold Assembly	44
Exhaust Manifold Assembly	45
Oil Pan Assembly	46
Oil Pump Assembly	47
Water Pump Assembly	48
Starter Assembly	49
Alternator Assembly	50
Rear Plate Assembly	51
Ignition Assembly	52
Throttle Body Assembly	53
Coolant Plug Assembly	54
Coolant Inlet Assembly	55
Electrical Assembly	56
Flywheel Assembly	57
Attachments and Accessories	58



## Frame and ROPS Assembly

Ref.	Part Number	Qty.	Description	Ref.	Part Number	Qty.	Description
1	147-8107	1	Front Frame ASM (2 Passenger)	8	144-2286	1	Standard ROPS Hardware Kit
2	147-8106	1	Rear Frame ASM	8:1	144-2258	8	Screw-HH
3		1	Standard ROPS Kit ●	8:2	144-2265	12	Bolt-CARR
3:1	137-2737-05	1	Front ROPS ASM-LH	8:3	32144-70	4	Screw-HWHTF
3:2	137-2738-05	1	Front ROPS ASM-RH	8:4	49-2040	10	Screw-HWHTF
3:3	140-2583	1	ROPS Front Crosslink ASM	8:5	32144-86	2	Screw-HWHTF
3:3:2	144-1143	1	Decal-Utx, Safety	8:6	126-7439	2	Screw-Torx
3:4	138-9438-05	1	Panel-Back, Seat	8:7	144-2409	2	Screw-HHF
3:5	140-2597	1	LH ROPS Rear Tube ASM	8:8	104-8300	14	Nut-HF, NI
3:5:2	145-2215	1	Decal-ROPS Safety, Utx	8:9	104-8301	10	Nut-HF, NI
3:5:3	144-2267	1	Decal-Compliance, ROPS	8:10	3296-73	2	Nut-Lock, NI
3:6	137-2726-05	1	ROPS Rear Tube ASM-RH	8:11	144-2269	2	Nut-Nylk,HF
3:7	138-5787-05	2	Tube-Restraint, Shoulder	9	139-3432	1	Support-Skirt, LH Side
3:8	137-6892-05	1	Crosslink-Rear, ROPS	10	139-3433	1	Support-Skirt, RH Side
5	145-7960-03	1	Panel-Underseat	11	147-2825	2	Skirt-Side
6	116-4701	4	Screw-HHF	12	32144-4	3	Screw-HWH
7	104-8301	6	Nut-HF, NI	13	125-9622	16	Rivet-Blind

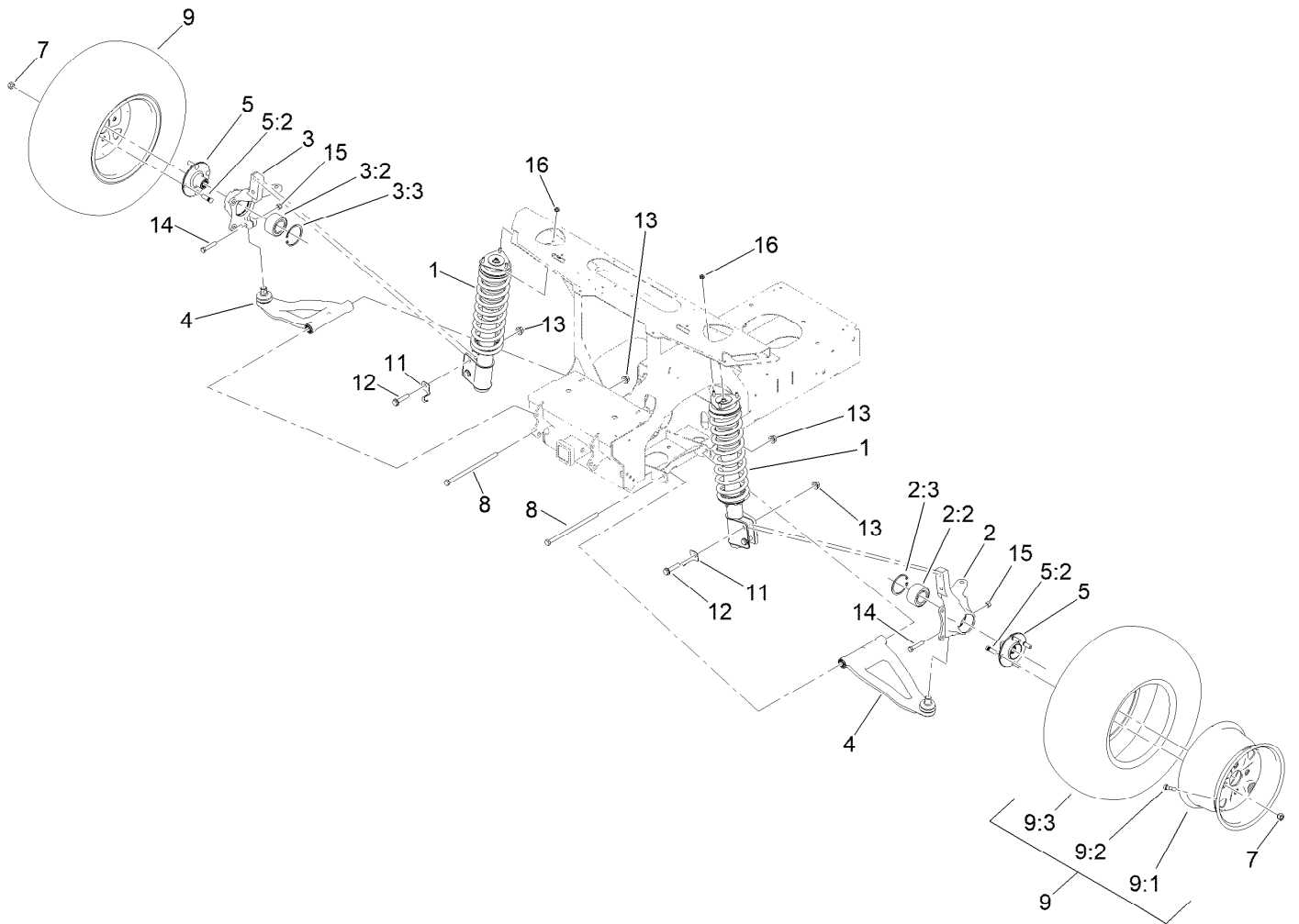
● Not serviced separately



## Frame and ROPS Assembly (continued)

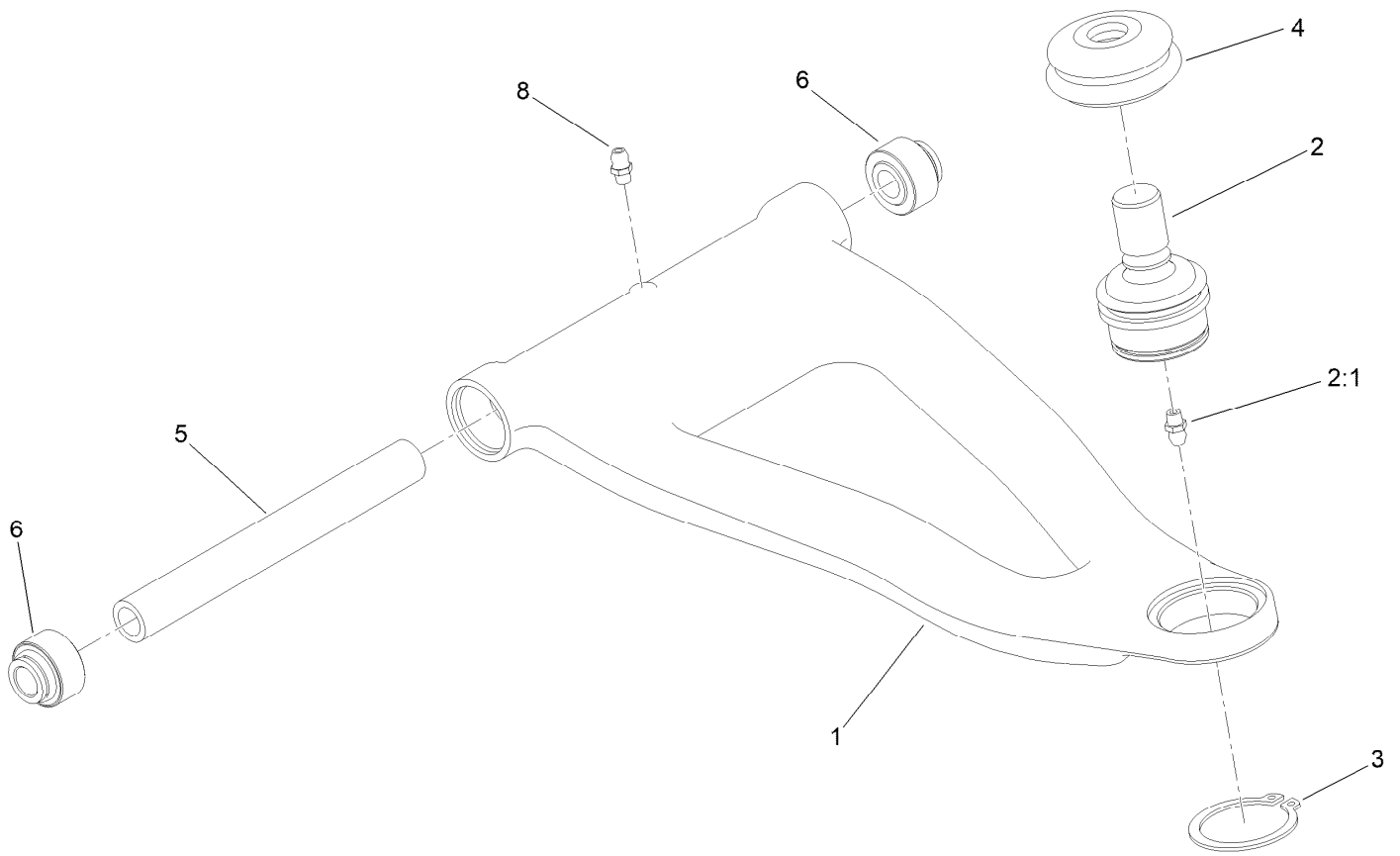
Ref.	Part Number	Qty.	Description	Ref.	Part Number	Qty.	Description
14	138-5775	6	Screw-Delta Point	24	144-2245	1	Cover-Access
15	32144-70	16	Screw-HWHTF	25	117-1092	4	Screw-PTH
16	139-3436	3	Grommet	26	3256-67	6	Washer
17	240-12	1	Grommet-Rubber	29	145-7990	1	Foam-Barrier, Heat
18	139-4433-03	2	Rail-Frame	30	110-5090	1	Grommet
19	3234-6	7	Screw-HHF	31	145-7998	1	Foam-Barrier, Heat
20	3290-378	6	Tie-Cable	32	147-8164	1	Decal-Fuse, Utx Gas
21	140-4775	2	Pin-Latch	33	147-8165	1	Decal-Service, Gas
22	3231-37	2	Screw-CARR				

● Not serviced separately



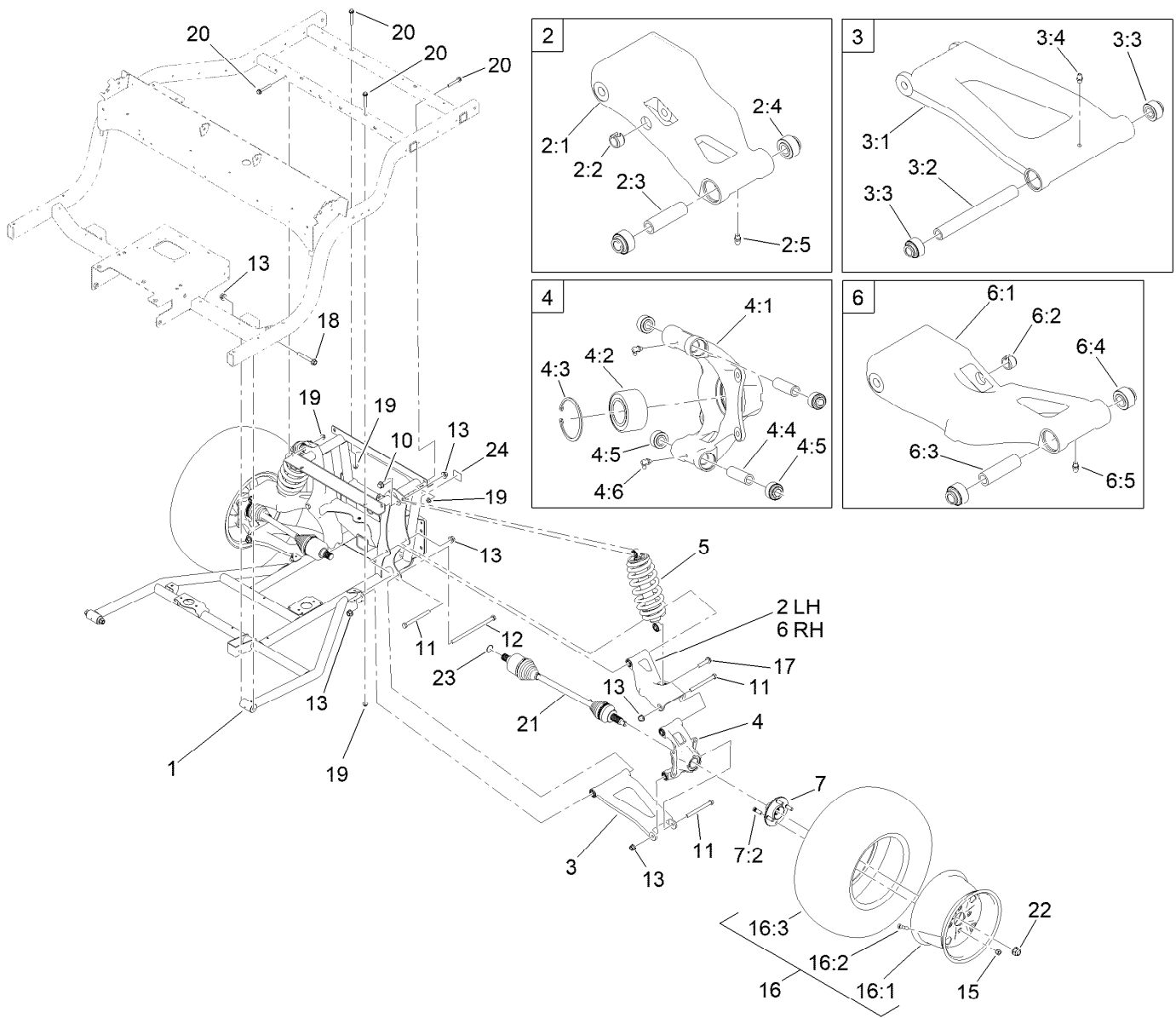
## Front Suspension Assembly

Ref.	Part Number	Qty.	Description	Ref.	Part Number	Qty.	Description
1	147-2706	2	Strut ASM	8	325-39	2	Screw-HH
2	138-9319	1	Knuckle ASM-Front, LH	9	136-9419	2	Tire/Wheel ASM
2:2	133-7272	1	Bearing-Ball	9:1	136-9418	1	Wheel-12X7-12
2:3	144-2207	1	Ring-Retaining	9:2	232-27	1	Stem-Valve
3	138-9320	1	Knuckle ASM-Front, RH	9:3	137-2689	1	Tire
3:2	133-7272	1	Bearing-Ball	11	137-6766	2	Bracket-Hose, Brake
3:3	144-2207	1	Ring-Retaining	12	3234-46	4	Screw-HHF
4	145-7771	2	Control Arm ASM-Front	13	99-5107	6	Nut-HF Nylock
5	137-6754	2	Hub ASM	14	115-2398	2	Bolt-HH
5:2	137-6760	4	Stud-Wheel	15	3296-48	2	Nut-Hex
7	242-50	8	Nut-Lug	16	112-2844	6	Nut-HF



## Front Control Arm Assembly No. 145-7771

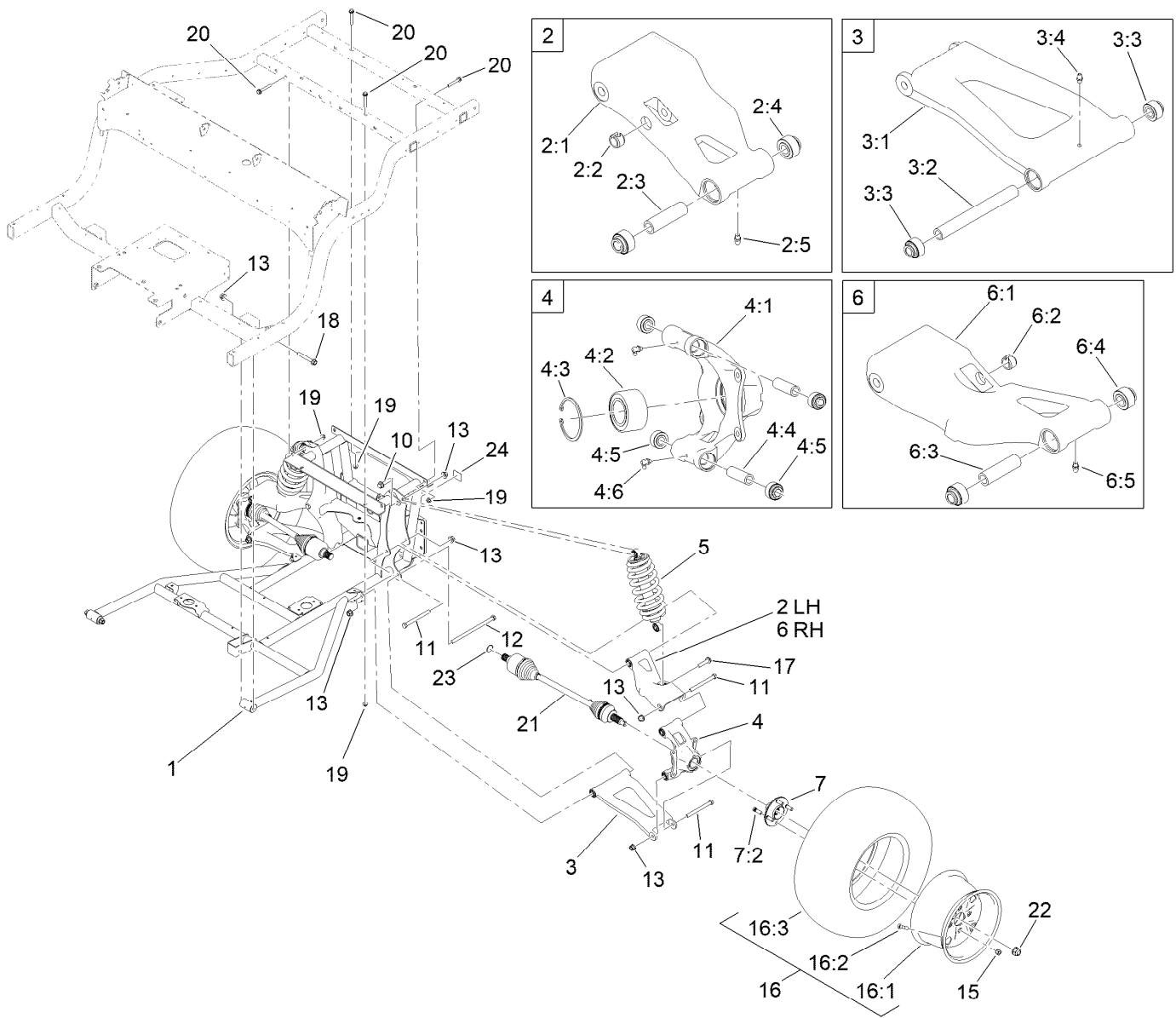
<i>Ref.</i>	<i>Part Number</i>	<i>Qty.</i>	<i>Description</i>
1	145-7762	1	Control Arm-Front
2	115-2165	1	Ball Joint
2:1	302-5	1	Fitting-Grease
3	32151-104	1	Ring-Retaining, External
4	87-2420	1	Seal-Joint, Ball
5	145-7757	1	Spacer
6	145-7756	2	Bushing-Ball
8	302-60	1	Fitting-Grease



## Rear Suspension and Subframe Assembly

Ref.	Part Number	Qty.	Description
1	147-8109	1	Engine Cradle ASM
2	145-7775	1	Control Arm ASM-Rear, LH Upper
2:1	145-7765	1	Control Arm-Rear Uprr, LH
2:2	137-2659	1	Bushing-Tension
2:3	145-7770	1	Spacer
2:4	145-7756	2	Bushing-Ball
2:5	302-5	1	Fitting-Grease
3	145-7772	2	Control Arm ASM-Rear
3:1	145-7763	1	Control Arm-Rear, Lower
3:2	145-7757	1	Spacer
3:3	145-7756	2	Bushing-Ball
3:4	302-5	1	Fitting-Grease
4	145-7773	2	Knuckle ASM-Rear
4:1	145-7764	1	Knuckle-Rear
4:2	133-7272	1	Bearing-Ball
4:3	144-2207	1	Ring-Retaining
4:4	145-7770	2	Spacer
4:5	145-7756	4	Bushing-Ball
4:6	302-60	2	Fitting-Grease
5	145-7758	2	Shock/Spring ASM

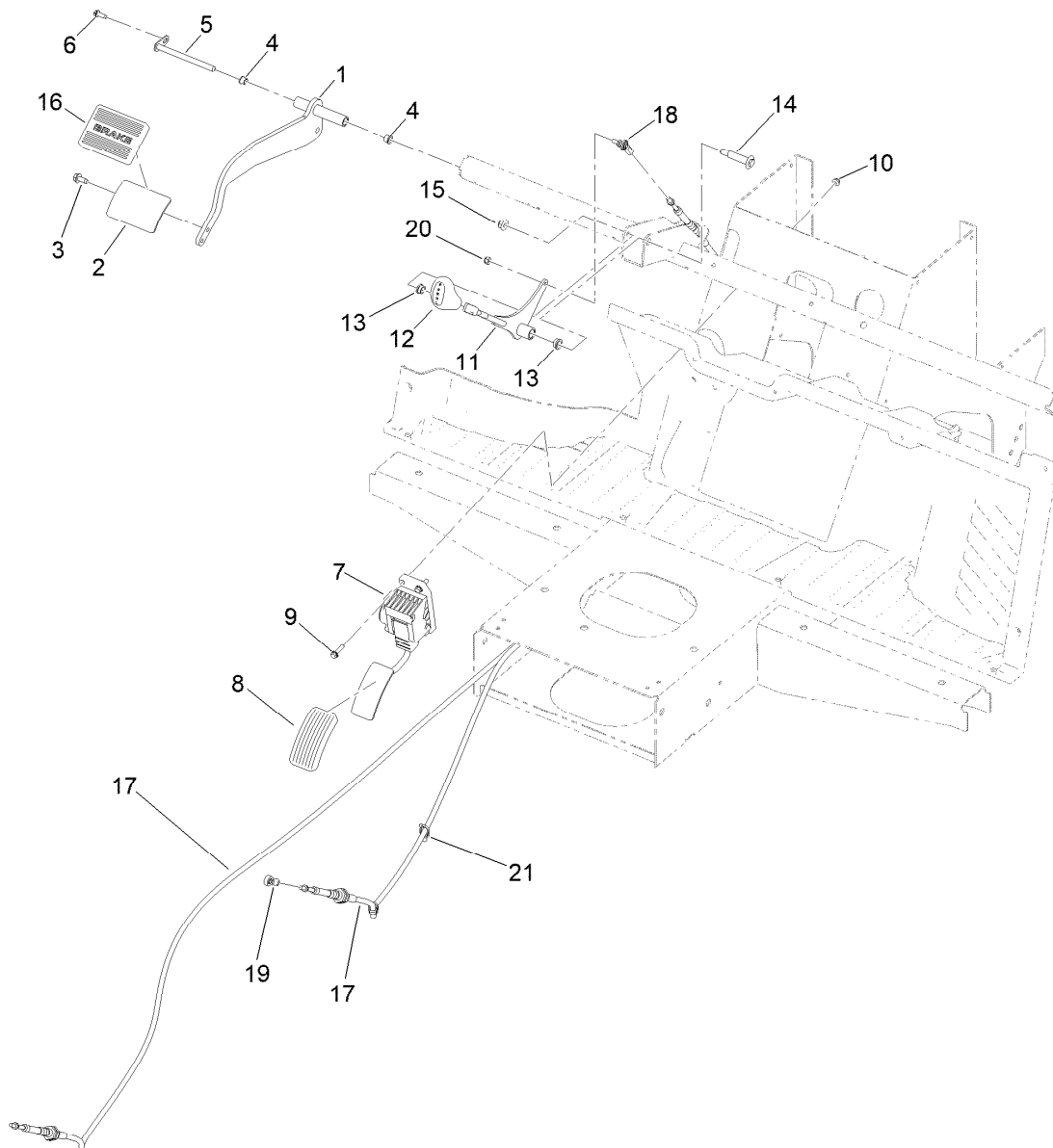
Ref.	Part Number	Qty.	Description
6	145-7774	1	Control Arm ASM-Rear, RH Upper
6:1	145-7766	1	Control Arm-Rear Uprr, RH
6:2	137-2659	1	Bushing-Tension
6:3	145-7770	1	Spacer
6:4	145-7756	2	Bushing-Ball
6:5	302-5	1	Fitting-Grease
7	137-6754	2	Hub ASM
7:2	137-6760	4	Stud-Wheel
10	3234-27	2	Screw-HHF
11	325-22	6	Screw-HH
12	325-39	2	Screw-HH
13	99-5107	12	Nut-HF Nylock
15	242-50	8	Nut-Lug
16	136-9420	2	Tire/Wheel ASM
16:1	136-9418	1	Wheel-12X7-12
16:2	232-27	1	Stem-Valve
16:3	137-2690	1	Tire
17	3234-46	2	Screw-HHF
18	114-8419	2	Screw-HHF
19	104-8301	8	Nut-HF, NI



## Rear Suspension and Subframe Assembly (continued)

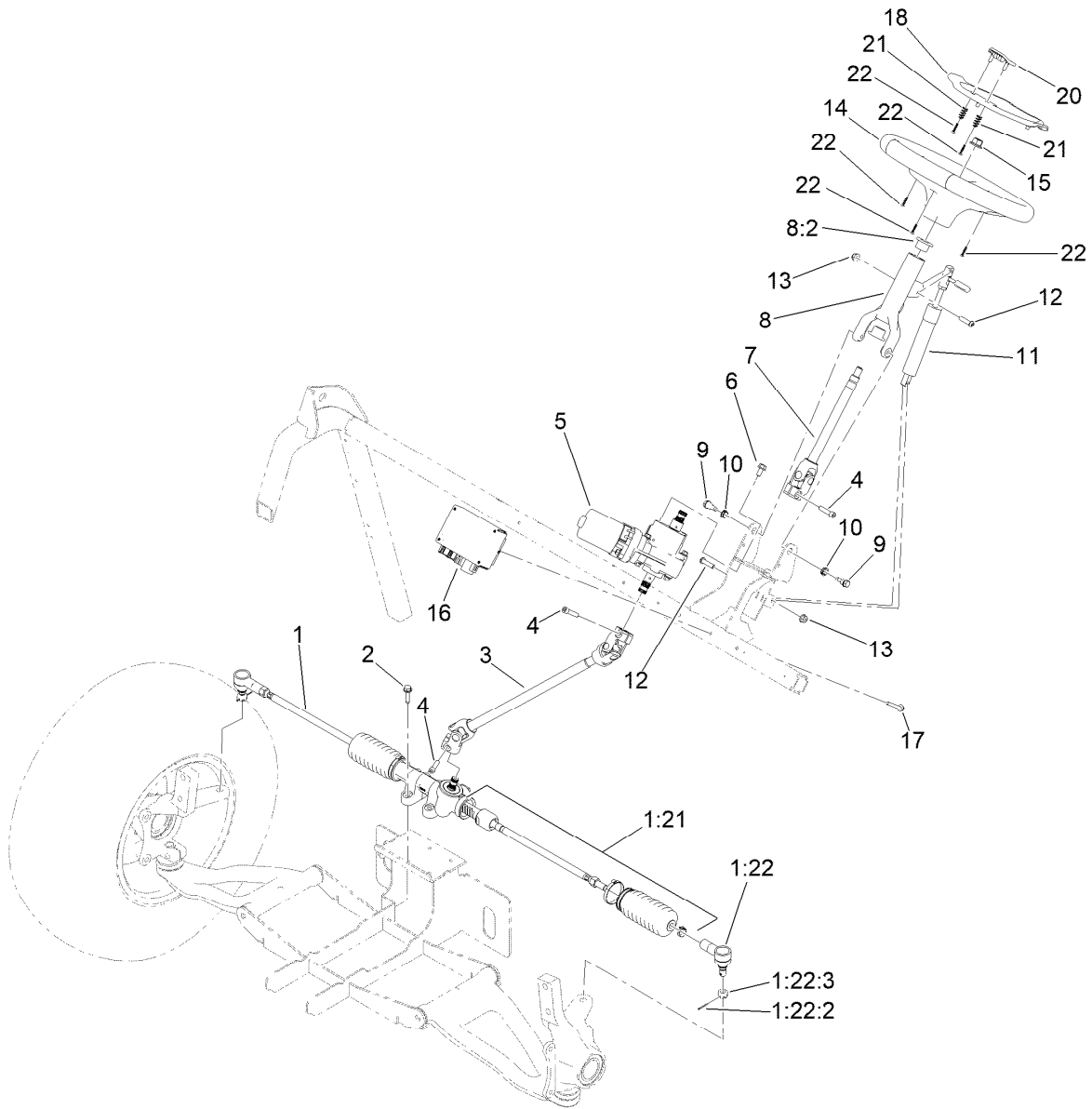
Ref.	Part Number	Qty.	Description
20	3234-39	8	Screw-HHF
21	140-2608	2	Cv Axle ASM
22	115-2164	2	Nut-Spindle

Ref.	Part Number	Qty.	Description
23	119-1156	2	O-Ring
24	145-2205	1	Decal-Load, Towing



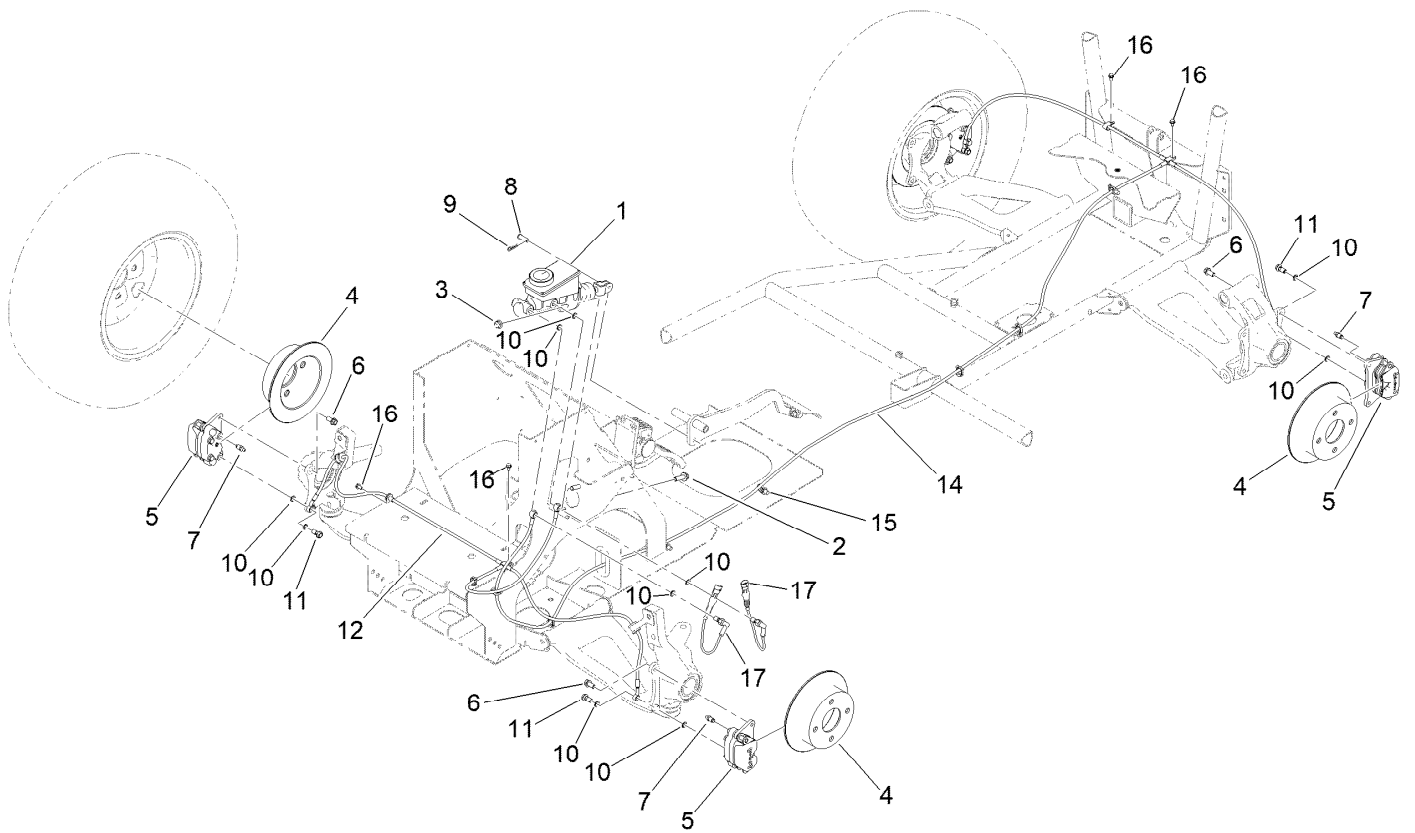
## Pedals and Controls Assembly

<i>Ref.</i>	<i>Part Number</i>	<i>Qty.</i>	<i>Description</i>	<i>Ref.</i>	<i>Part Number</i>	<i>Qty.</i>	<i>Description</i>
1	138-5761-03	1	Brake Pedal ASM	12	139-4655	1	Knob-Shifter
2	138-5763-03	1	Brake Pedal ASM	13	256-156	2	Bushing-Flange
3	32144-70	2	Screw-HWHTF	14	92-1057	1	Bolt-Shoulder
4	256-116	2	Bushing-Flange	15	104-8301	1	Nut-HF, NI
5	136-9306	1	Pivot Shaft ASM	16	7-3900	1	Pad-Brake
6	49-2040	1	Screw-HWHTF	17	140-2649	1	Cable-Shift
7	144-2740	1	Pedal ASM-Accelerator	18	110-2554	1	Rod End-Spherical
8	140-4572	1	Pedal Pad-Throttle	19	147-2705	1	Rod End-Spherical
9	120-4654	3	Screw-HHF	20	3296-3	1	Nut-Lock
10	104-7201	3	Nut-HF, NI	21	32180-030	2	Clip-Tie
11	145-2108	1	Shifter ASM				



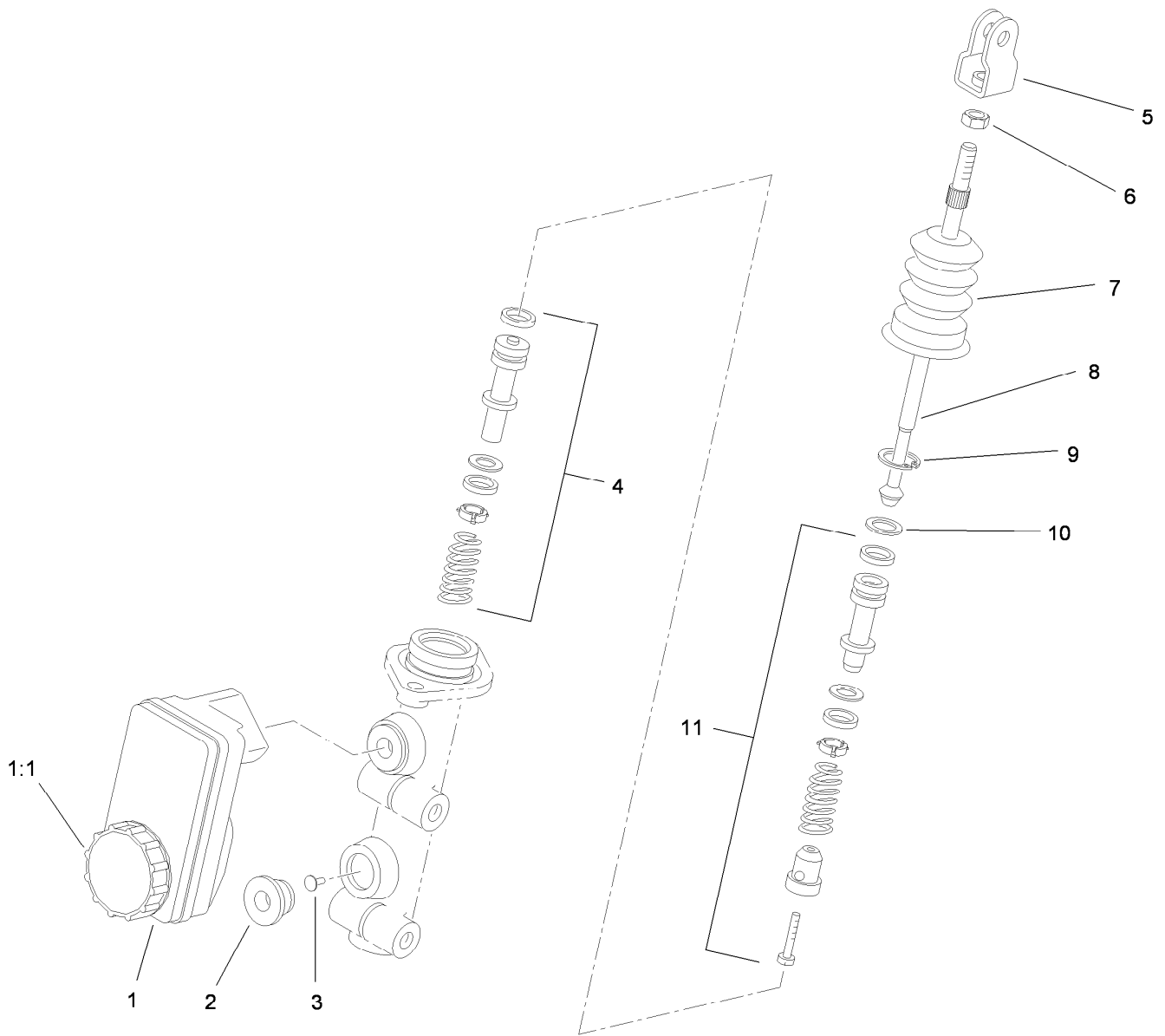
## Steering Assembly

Ref.	Part Number	Qty.	Description	Ref.	Part Number	Qty.	Description
1	138-9322	1	Steering Rack ASM	9	115-1958	2	Bolt-Shoulder
1:21	140-4823	1	Kit-Tie Rod ASM, Utx	10	256-156	2	Bushing-Flange
1:22	140-4592	1	Kit-Rod End ASM	11	137-2827	1	Spring-Gas, Adjustable Stop
1:22:2	3272-42	1	Pin-Cotter	12	3290-511	2	Screw-HSBH
1:22:3	140-2493	1	Nut-Hex, Slotted	13	130-6655	2	Nut-Flange, NI
2	32144-49	4	Screw-HWHTF	14	144-5570	1	Steering Wheel ASM
3	138-3347	1	Steering Shaft ASM	15	99-5107	1	Nut-HF Nylock
4	145-7145	3	Screw-HSH,Lock	16	138-3349	1	Controller-Power Steering
5	138-3348	1	Motor-Power Steering	17	33103-050	2	Screw-HHF
6	33104-016	3	Screw-HHF	18	144-5567	1	Cover-Wheel, Steering
7	138-3344	1	Upper Steering Shaft ASM	20	144-5566	1	Clip-Wheel, Steering
8	139-4439	1	Tilt Steering Column ASM	21	144-5537	2	Spring-Compression
8:2	133-0594	2	Bushing-Flange	22	94-4496	5	Screw-PPH



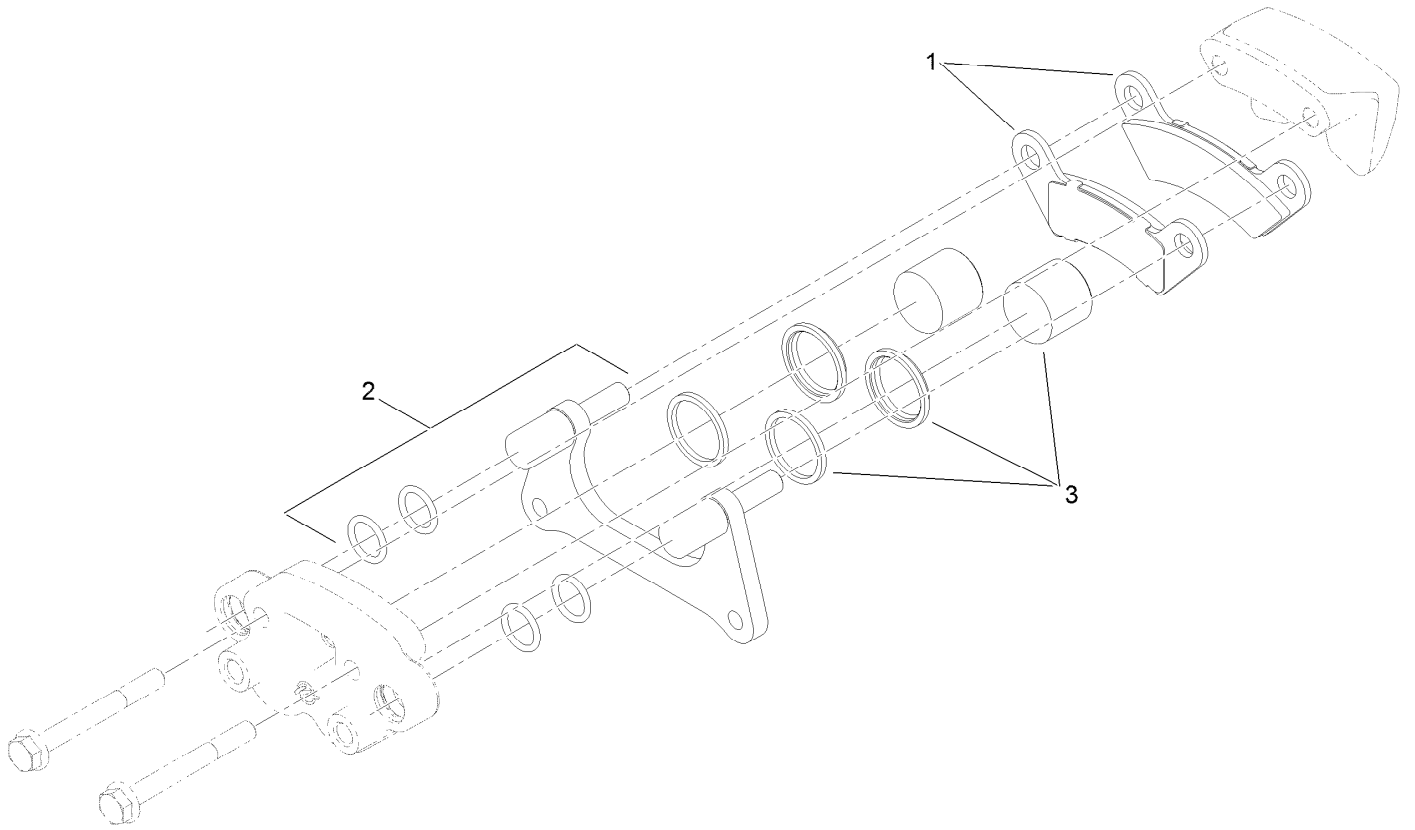
## Brake Assembly

<i>Ref.</i>	<i>Part Number</i>	<i>Qty.</i>	<i>Description</i>	<i>Ref.</i>	<i>Part Number</i>	<i>Qty.</i>	<i>Description</i>
1	104-6782	1	Master Cylinder ASM	9	1-806003	1	Pin-Cotter
2	119-4061	2	Screw-HHF	10	115-2341	12	Washer-Banjo
3	104-8301	2	Nut-HF, NI	11	120-4875	4	Bolt-Flange, Banjo
4	133-7273	4	Rotor-Brake	12	137-6768	1	Hose ASM-Brake, Front
5	127-7424	4	Brake Caliper ASM	14	137-6769	1	Hose ASM-Brake, Rear
6	144-5550	8	Screw-Spl	15	32180-030	8	Clip-Tie
7	119-9509	4	Screw-Bleed	16	32144-4	4	Screw-HWH
8	283-2	1	Pin-Clevis	17	144-2227	2	Switch-Brake, Pressure



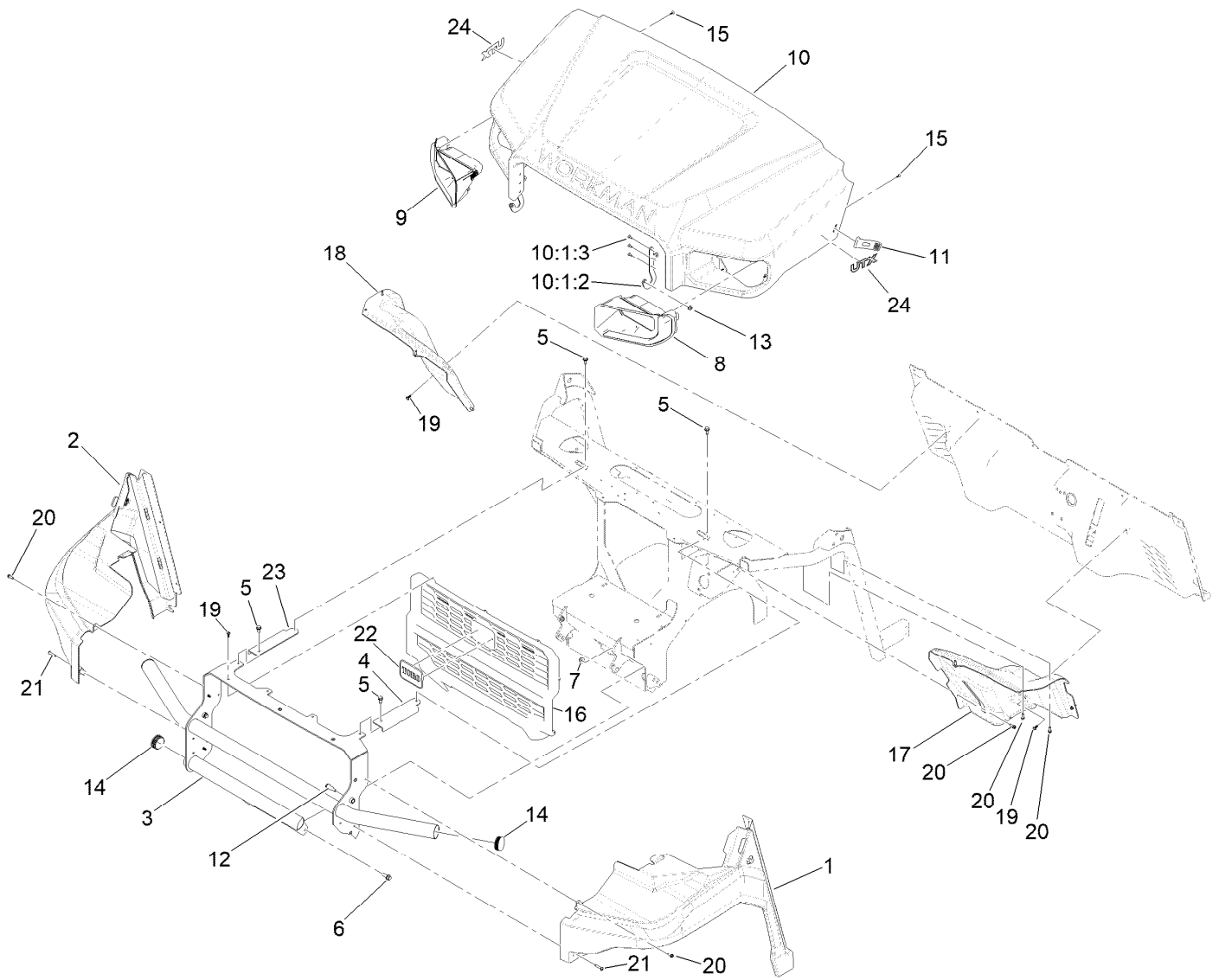
## Master Cylinder Assembly No. 104-6782

Ref.	Part Number	Qty.	Description
1	104-6845	1	Reservoir ASM
1:1	92-4112	1	Cap ASM
2	93-8971	2	Seal-Port, Flange
3	92-4103	1	Pin-Stop
4	92-4102	1	Secondary Piston ASM
5	92-4110	1	Clevis
6	21-0360	1	Nut-Hex
7	94-5209	1	Cover-Dust
8	94-5210	1	Rod-Push
9	92-4109	1	Ring-Snap
10	92-4108	1	Retainer-Washer
11	92-4101	1	Primary Piston ASM



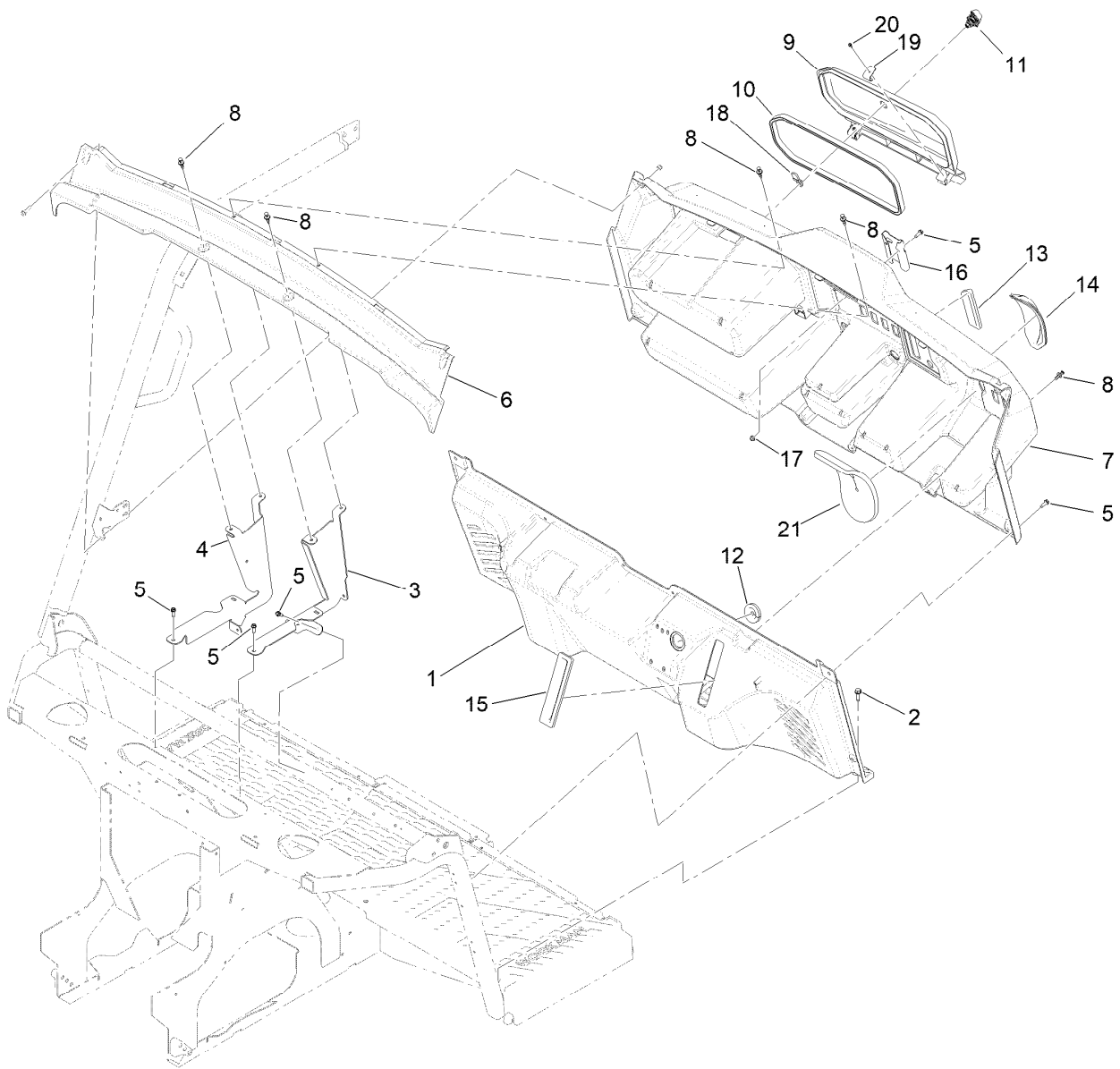
## Brake Caliper Assembly No. 127-7424

<i>Ref.</i>	<i>Part Number</i>	<i>Qty.</i>	<i>Description</i>
1	133-0628	1	Brake Pad Kit
2	119-9511	1	Bracket Kit
3	133-0614	1	Piston Kit



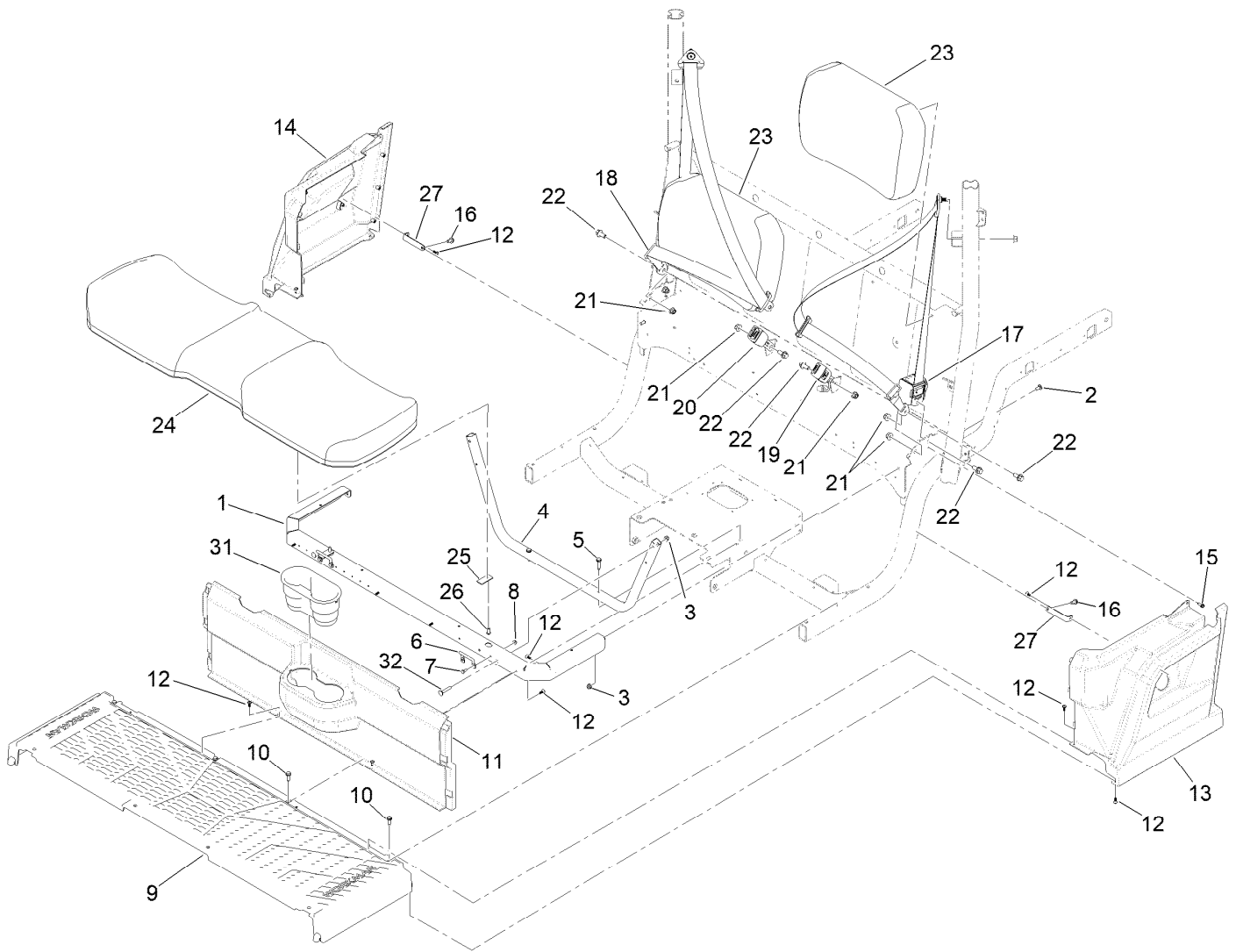
## Hood and Front Fender Assembly

<i>Ref.</i>	<i>Part Number</i>	<i>Qty.</i>	<i>Description</i>	<i>Ref.</i>	<i>Part Number</i>	<i>Qty.</i>	<i>Description</i>
1	137-2816SP	1	Fender-Front, LH	12	136-7192	2	Bolt-Shoulder, HHF
2	137-2817SP	1	Fender-Front, RH	13	104-8300	2	Nut-HF, NI
3	136-9540	1	UTV Bumper ASM	14	137-6827	4	Plug-Plastic
4	144-2421-05	1	Bracket-Mount, Utx Bumper [blk-Txt]	15	139-3430	8	Screw-Bhf
5	32144-70	4	Screw-HWHTF	16	140-4646	1	Grill-Utx
6	3234-42	2	Screw-HHF	17	138-5765	1	Fender-Inner, LH
7	104-8301	2	Nut-HF, NI	18	138-5766	1	Fender-Inner, RH
8	138-5778	1	Headlight ASM, LH	19	138-5775	9	Screw-Delta Point
9	138-5779	1	Headlight ASM, RH	20	49-2040	12	Screw-HWHTF
10	137-6820SP	1	UTV Hood ASM	21	132-6777	2	Screw-Twh Thd Roll
10:1:2	137-6817	2	Bracket-Pivot, Hood	22	144-2294	1	Emblem-Toro
10:1:3	114439	6	Rivet-Blind	23	144-2423-05	1	Bracket-Mount, Utx Bumper [blk-Txt]
11	137-6856	2	Strap-Hood	24	144-1145	2	Decal-Utx, Emblem



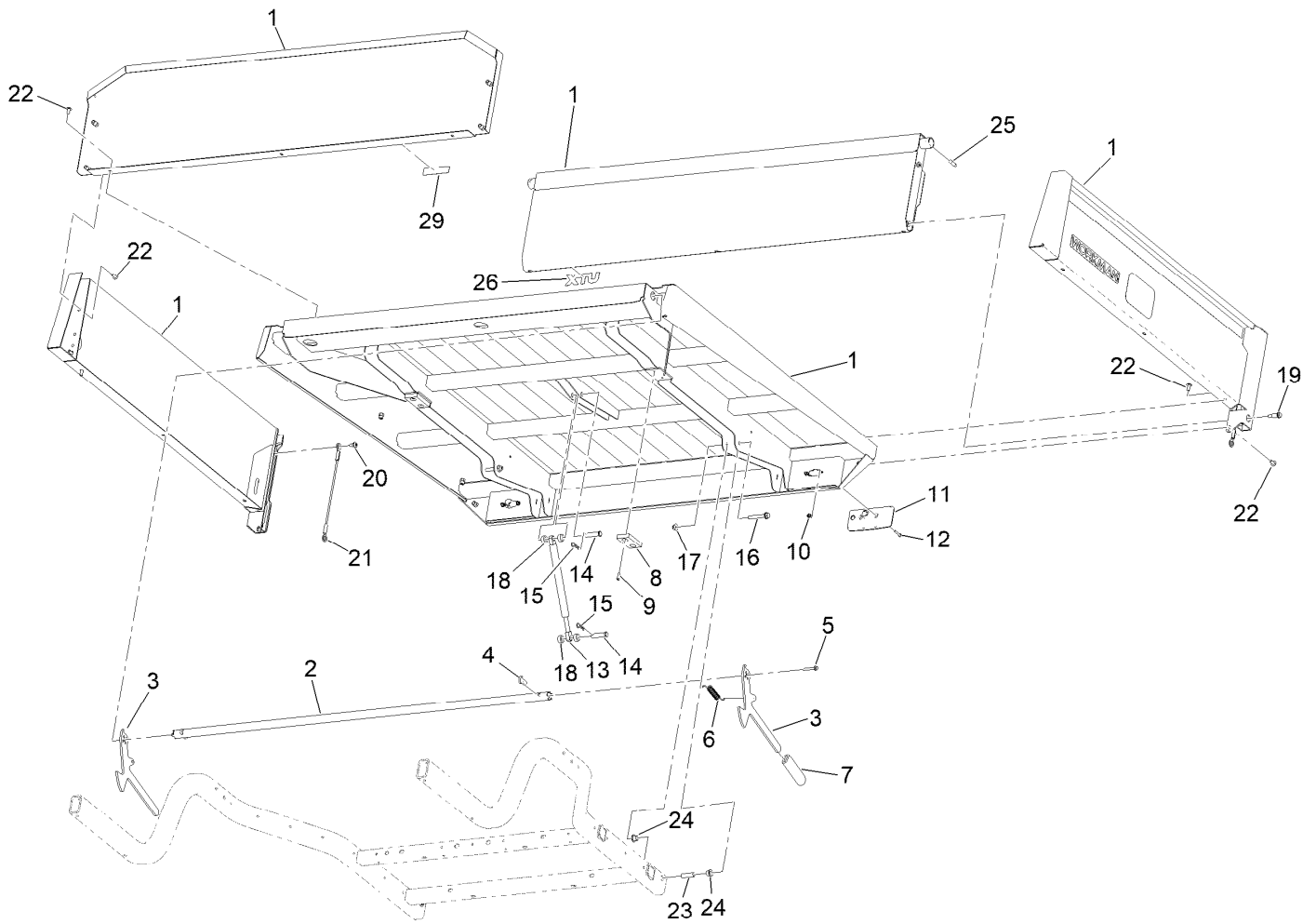
## Dash Assembly

<i>Ref.</i>	<i>Part Number</i>	<i>Qty.</i>	<i>Description</i>	<i>Ref.</i>	<i>Part Number</i>	<i>Qty.</i>	<i>Description</i>
1	137-2749SP	1	Footboard	12	139-3436	1	Grommet
2	701243	4	Screw-Thd Roll, HWH	13	139-3487	1	Grommet-Shifter
3	145-2174-03	1	Bracket-Dash, LH	14	139-3488	1	Grommet-Steering Column
4	145-2178-03	1	Bracket-Dash, RH	15	139-3489	1	Grommet-Brake Pedal
5	49-2040	10	Screw-HWHTF	16	139-3449-05	1	Bracket-Mount, Radio
6	138-0041SP	1	Panel-Windshield, Dash	17	104-7201	2	Nut-HF, NI
7	138-0040SP	1	Dash	18	140-4680	1	Cam-Latch, Quarter Turn
8	125-9622	8	Rivet-Blind	19	145-0840	2	Bracket-Glove Box
9	138-0039SP	1	Door-Glove Box	20	32144-42	2	Screw-Thd Form, HWH
10	139-3462	1	Seal-Door, Glove Box	21	147-2822	1	Seal-Foam, Steering Column
11	140-4679	1	Latch-Quarter Turn				



## Seat Base Assembly

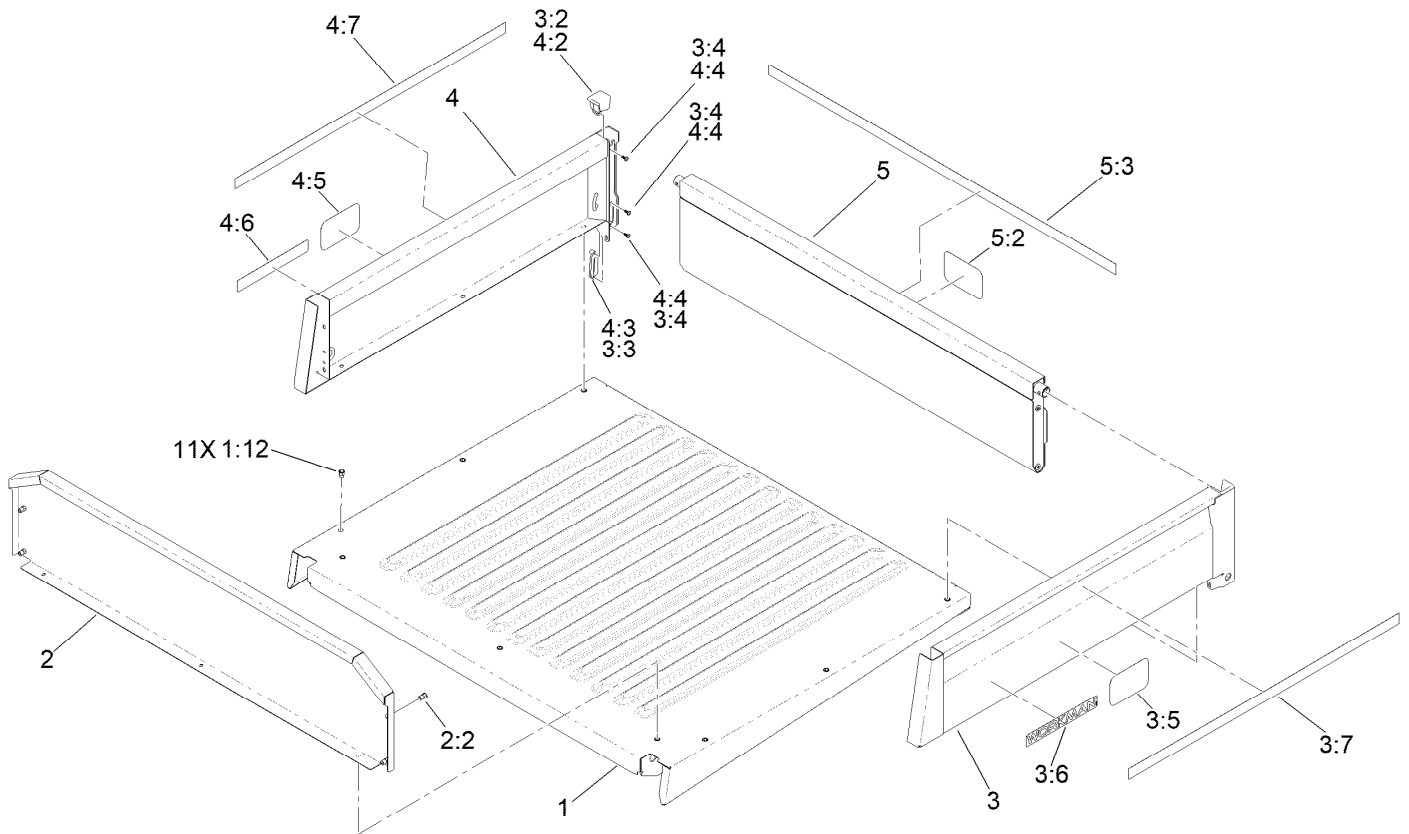
<i>Ref.</i>	<i>Part Number</i>	<i>Qty.</i>	<i>Description</i>	<i>Ref.</i>	<i>Part Number</i>	<i>Qty.</i>	<i>Description</i>
1	137-6896-03	1	Frame-Seat, Bottom	16	32144-70	2	Screw-HWHTF
2	3230-23	2	Bolt-CARR	17	140-2676	1	Retractor-Seat Belt, LH
3	104-8300	4	Nut-HF, NI	18	140-2677	1	Retractor-Seat Belt, RH
4	137-2746-03	1	Tube-Support, Seat	19	140-2678	1	Buckle-Seat Belt, W/Switch
5	32144-57	2	Screw-Thd Roll	20	140-2679	1	Buckle-Seat Belt
6	137-6888	2	Wire-Hinge	21	144-2269	6	Nut-Nylk,HF
7	321-3	4	Screw-HH	22	144-2289	6	Screw-HHF
8	104-7201	4	Nut-HF, NI	23	145-2211	2	Seat Backrest ASM
9	137-6874SP	1	Plate-Floor	24	145-2207	1	Bench Seat Bottom ASM
10	701243	4	Screw-Thd Roll, HWH	25	145-7954	2	Bracket-Hinge, Seat
11	137-6875SP	1	Panel-Seat Base	26	3274-55	2	Screw-HSBH
12	138-5775	14	Screw-Delta Point	27	138-9411	2	Support-Panel-Side
13	137-2813SP	1	Panel-Seat Base, LH	31	139-3454	1	Cup Holder
14	137-2814SP	1	Panel-Seat Base, RH	32	3230-5	2	Bolt-CARR
15	49-2040	2	Screw-HWHTF				



## Cargo Bed Assembly

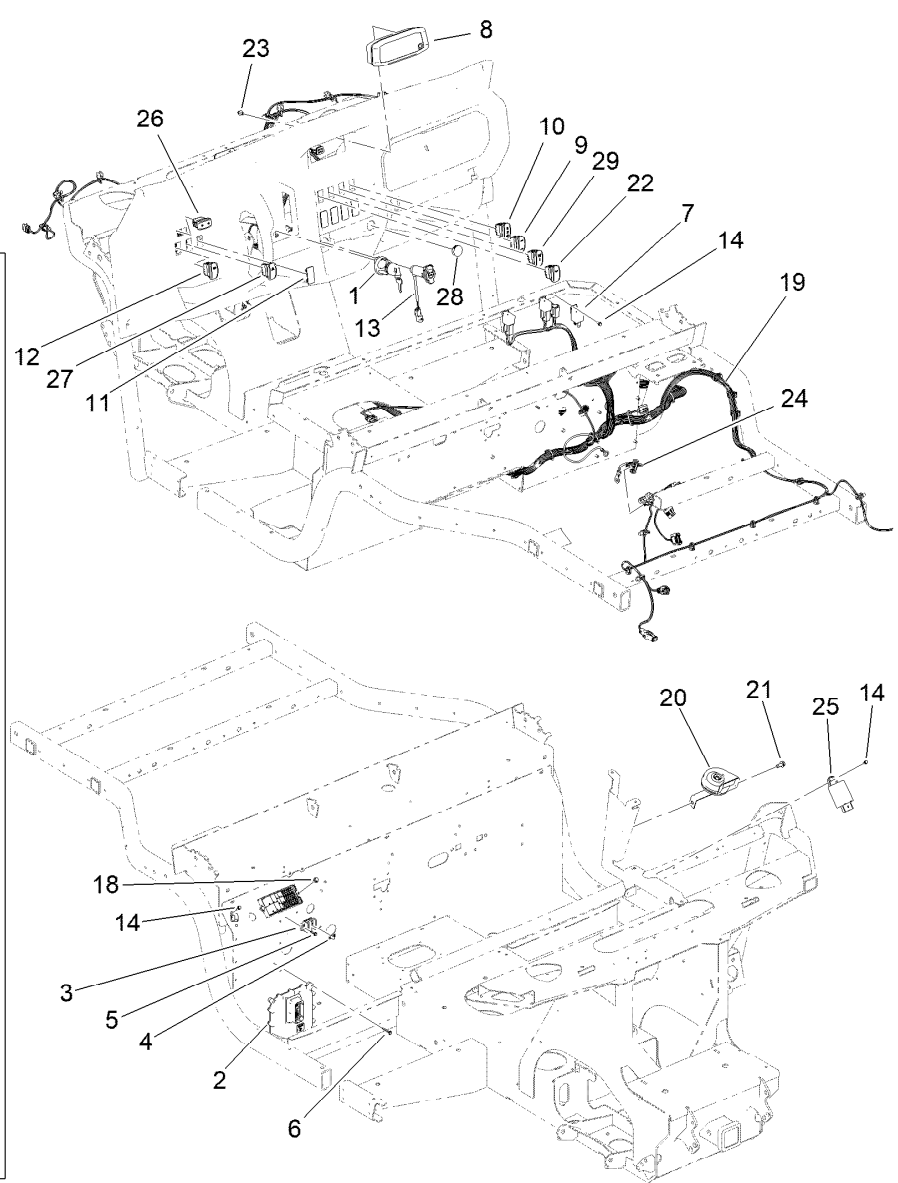
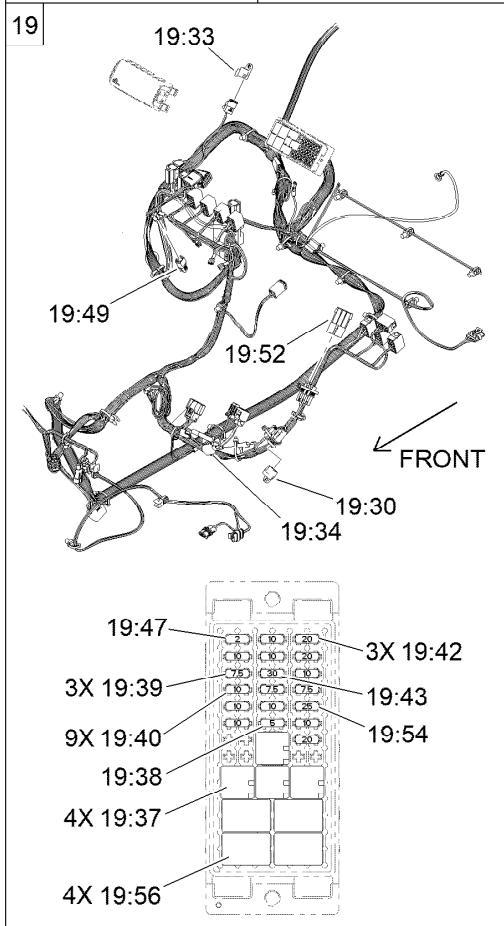
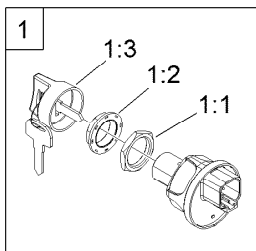
Ref.	Part Number	Qty.	Description	Ref.	Part Number	Qty.	Description
1		1	Cargo Bed Kit ●	15	3290-467	2	Pin-Hair
2	139-4421-03	1	Tube-Latch	16	3234-39	2	Screw-HHF
3	147-2709	2	Latch-Bed	17	104-8301	2	Nut-HF, NI
4	139-4422	2	Plate-Threaded	18	66-6500	4	Spacer-Wheel
5	147-2746	2	Screw-HHF,Lock	19	147-2747	2	Screw-Shoulder,HHF,Lock
6	140-2663	2	Spring-Extension	20	120-9471	4	Bolt-Shoulder
7	1-633268	2	Grip-Lever	21	130-5726	2	Lanyard
8	93-9719	2	Block-Wear	22	126-6268	15	Screw-TTH
9	3274-69	4	Screw-HSBH	23	144-2211	2	Sleeve-Pivot, Bed
10	120-4578	4	Nut-HF	24	125-5239	4	Bushing-Flange
11	139-2071	2	Light-Rear Tail/Stop/Turn	25	133-7146	2	Plug-Tailgate, Anti-Rattle
12	3250-52	4	Screw-PPH	26	144-1145	1	Decal-Utx, Emblem
13	139-4417	1	Spring-Gas	29	144-1144	1	Decal-Cargo Bed Safety
14	283-5	2	Pin-Clevis				

● Not serviced separately



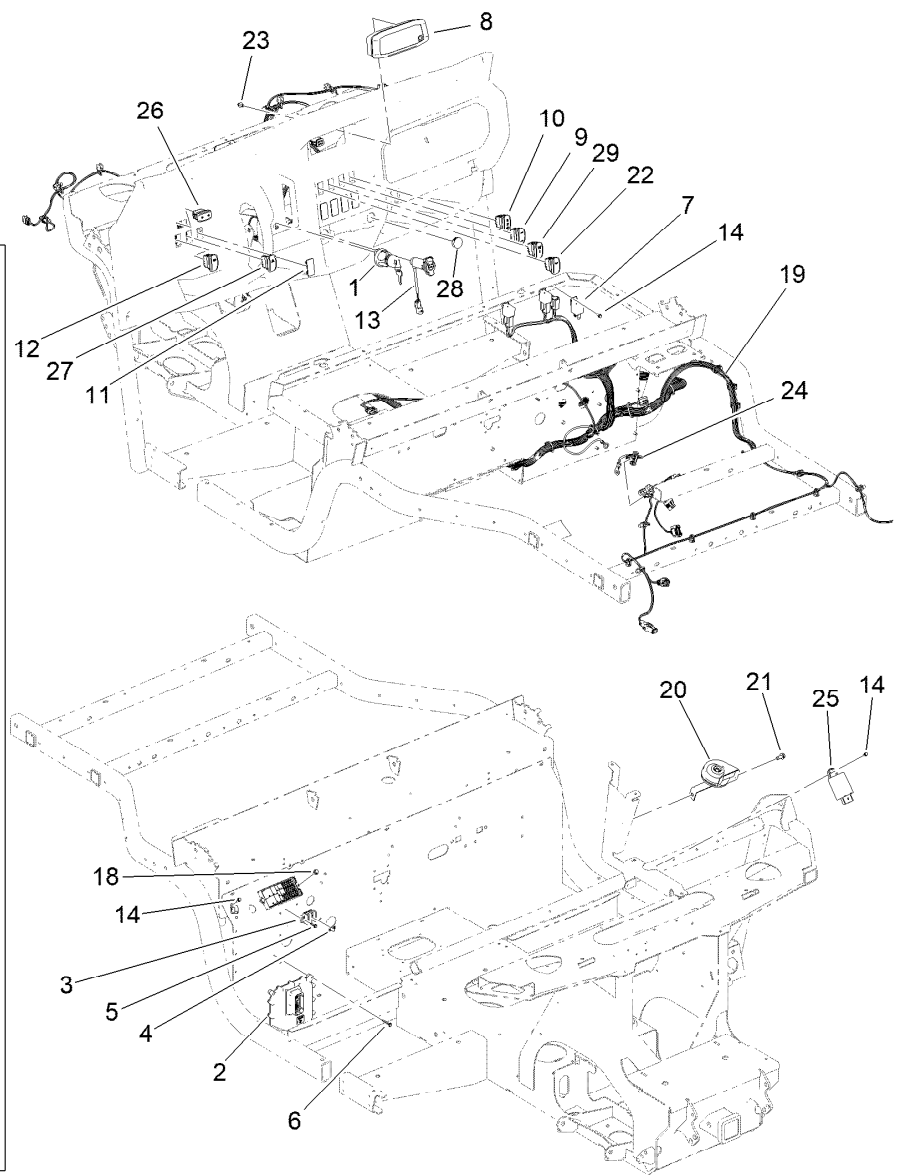
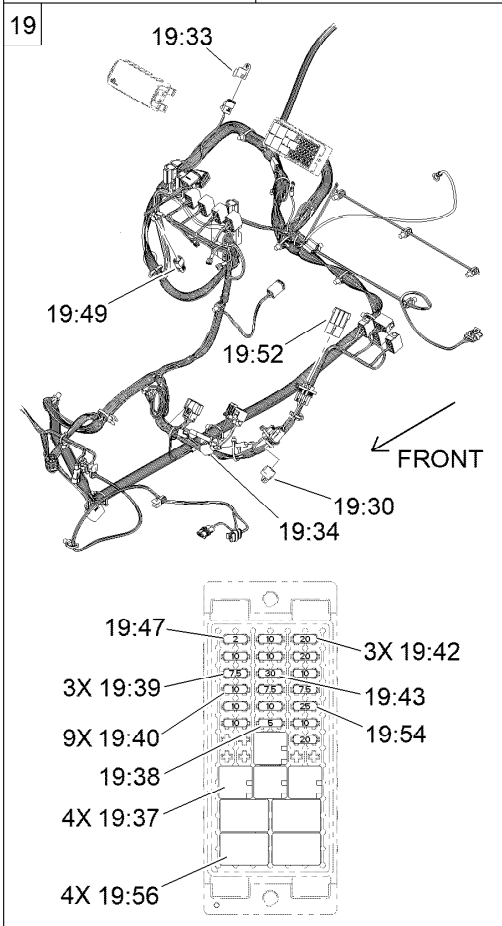
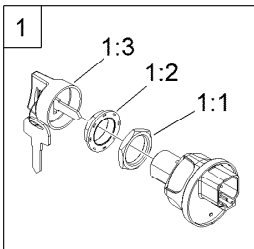
## Cargo Bed Kit Assembly

<i>Ref.</i>	<i>Part Number</i>	<i>Qty.</i>	<i>Description</i>	<i>Ref.</i>	<i>Part Number</i>	<i>Qty.</i>	<i>Description</i>
1	147-2750	1	Flat Bed ASM	4	147-8104	1	Bed Side ASM, RH
1:12	138-2899	15	Nut-Clinch	4:2	140-2690	1	Retainer-Tailgate
2	140-4675	1	Panel ASM-Front, Bed	4:3	139-4690	1	Bushing-Tailgate
2:2	138-2899	4	Nut-Clinch	4:4	138-5775	3	Screw-Delta Point
3	147-8103	1	Bed Side ASM, LH	4:5	105-1217	1	Decal
3:2	140-2690	1	Retainer-Tailgate	4:6	140-4835	1	Decal-Workman, Gray
3:3	139-4690	1	Bushing-Tailgate	4:7	144-2277	1	Decal-Red Stripe, 43"
3:4	138-5775	3	Screw-Delta Point	5	147-8102	1	Tailgate ASM
3:5	105-1217	1	Decal	5:2	105-1217	1	Decal
3:6	140-4835	1	Decal-Workman, Gray	5:3	144-2281	1	Decal-Red Stripe, 55.25"
3:7	144-2277	1	Decal-Red Stripe, 43"				



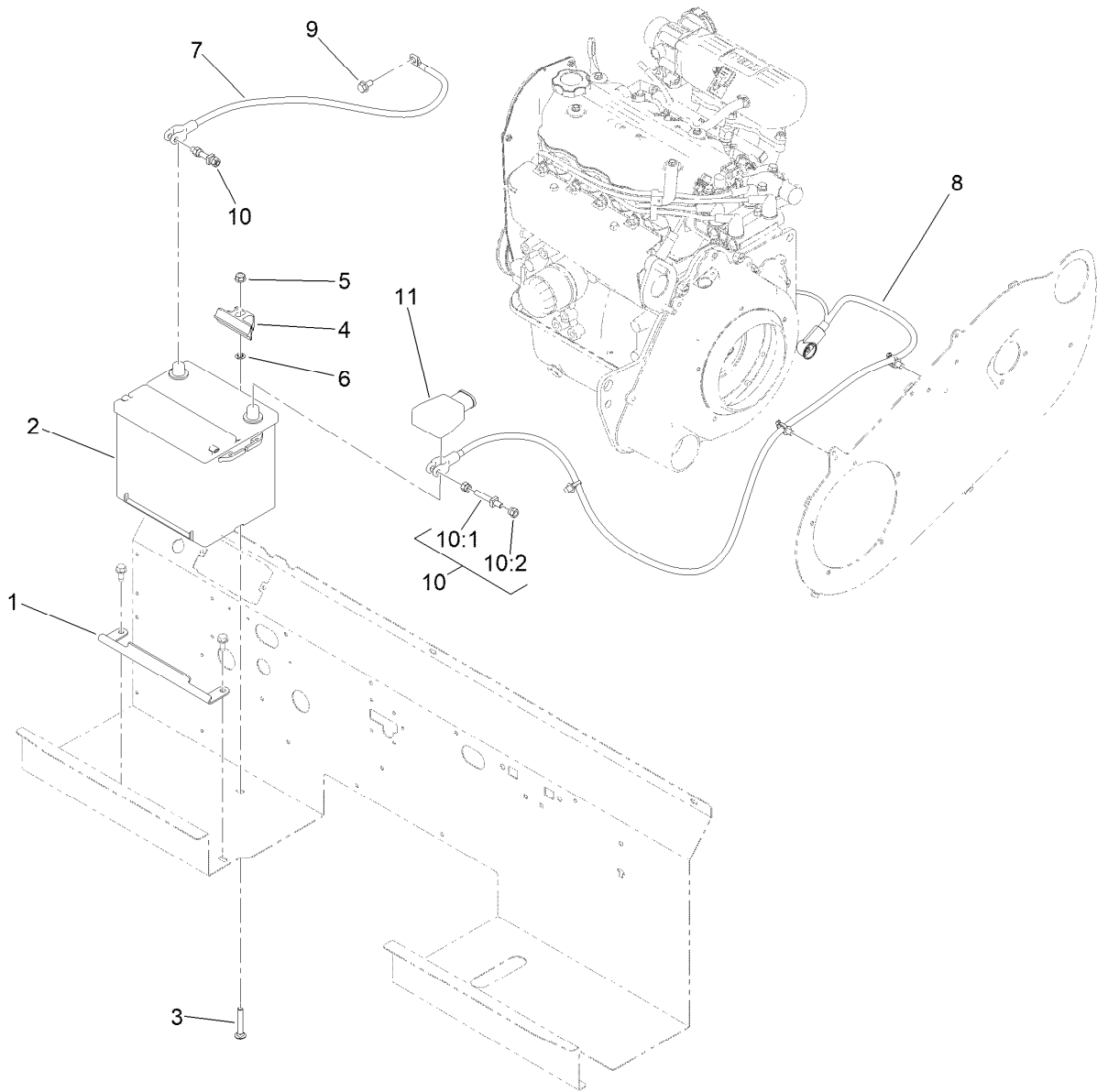
## Electrical Assembly

Ref.	Part Number	Qty.	Description	Ref.	Part Number	Qty.	Description
1	122-3614	1	Switch-Ignition	19	122-2315	1	Harness-Wire, Utx Gas 2 Passenger
1:1	121-5160	1	Nut-Hex	19:30	32180-156	1	Cap-Plug, 6 Way
1:2	122-2704	1	Nut-Face, M22 (Plastic)	19:33	32180-089	1	Cap-Plug, 3 Way
1:3	121-5162	1	Set-Key, Ignition	19:34	100-4918	1	Diode
2	127-2770	1	Controller	19:37	126-3991	4	Relay-Micro
3	42862	1	Block-Terminal, Ground	19:38	121-8864	1	Fuse-Mini Blade, 5 Amp
4	42863	1	Strip-Jumper	19:39	121-8865	3	Fuse-Mini Blade, 7.5 Amp
5	100-4351	2	Screw-HWH	19:40	121-8866	9	Fuse-Mini Blade, 10 Amp
6	32144-110	4	Screw-HWH	19:42	121-8868	3	Fuse-Mini Blade, 20 Amp
7	99-7435	3	Relay	19:43	121-8870	1	Fuse-Mini Blade, 30 Amp
8	136-9450	1	Cluster-Instrument	19:47	121-8861	1	Fuse-Mini Blade, 2 Amp
9	144-2440	1	Switch-Rocker, On-None-On	19:49	32180-282	1	Conn, Res, 120 Ohm
10	144-2445	1	Switch-Rocker, On-On-On	19:52	32160-128	1	Connector-Mp280, 3M (Sealed)
11	99-7420	5	Plug-Hole	19:54	121-8869	1	Fuse-Mini Blade, 25 Amp
12	144-2405	1	Switch-Rocker, On-None-On	19:56	126-6157	4	Relay-Micro 280, Spdt
13	139-3420	1	Port-USB	20	139-4557	1	Horn-ASM
14	32144-112	5	Screw-HWH	21	32144-70	1	Screw-HWHTF
18	33103-012	2	Screw-HHF	22	144-2415	1	Switch-Rocker, (On)-None-Off



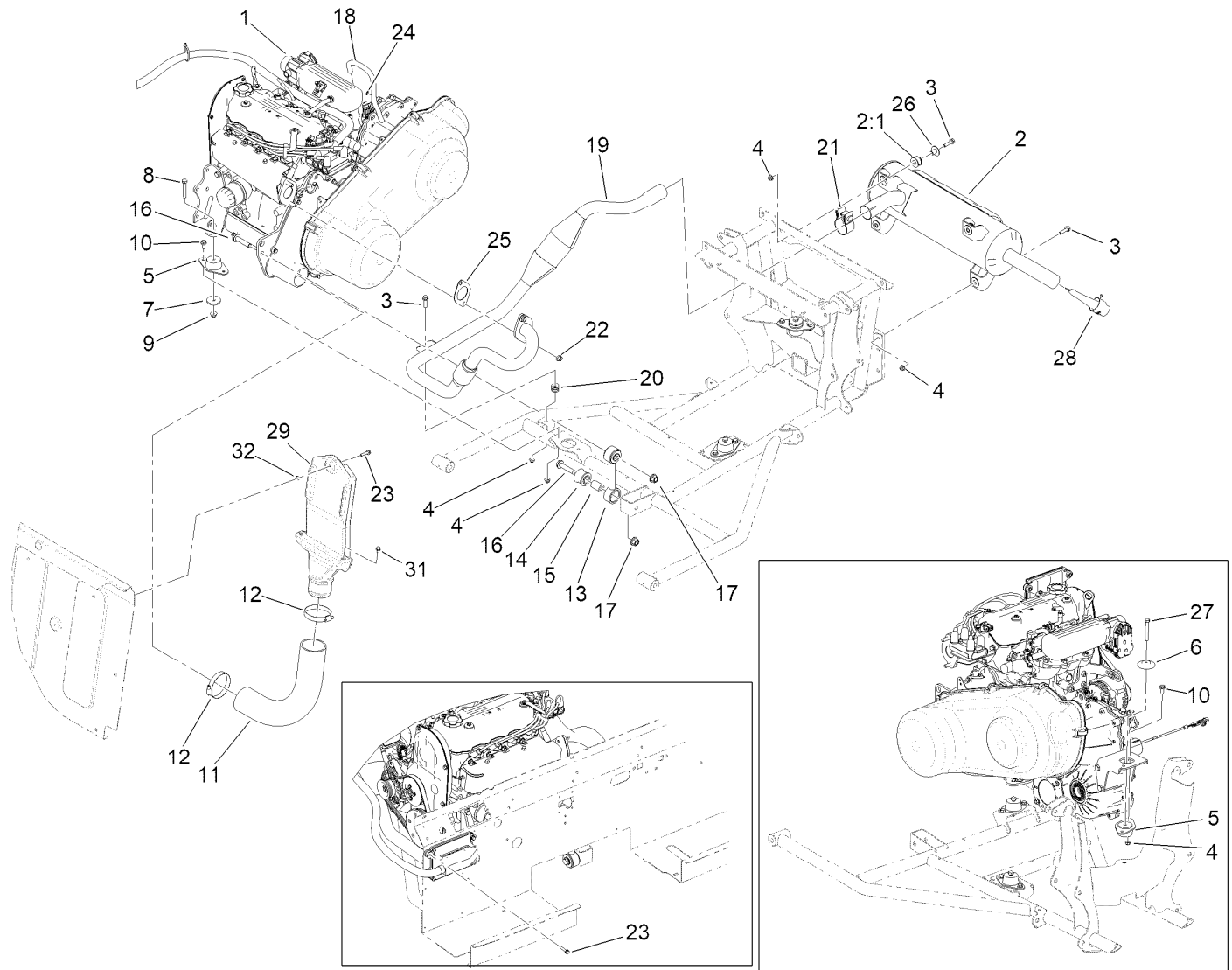
## Electrical Assembly (continued)

Ref.	Part Number	Qty.	Description	Ref.	Part Number	Qty.	Description
23	3234-13	2	Screw-HHF	27	144-2400	1	Switch-Rocker, On-None-On
24	99-3441	1	Harness-Wire, Fusible Link	28	145-2160	1	Plug-Panel
25	139-2080	1	Flasher-Dual Rate	29	145-2200	1	Switch-Rocker, (On)-On-Off
26	144-2425	1	Switch-Rocker, On-Off-On				



## Battery Assembly

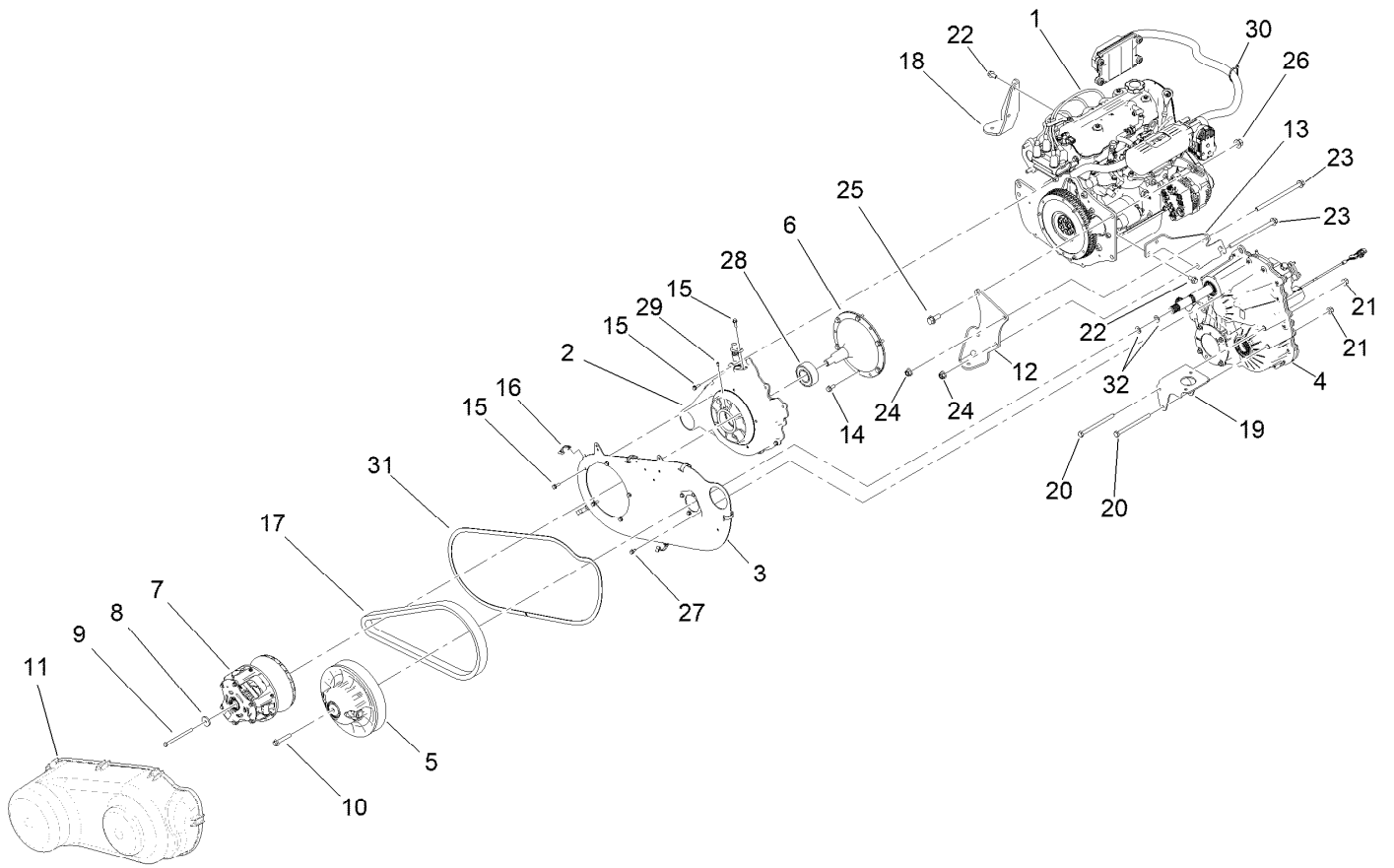
<b>Ref.</b>	<b>Part Number</b>	<b>Qty.</b>	<b>Description</b>
1	147-8051	1	Hold Down-Battery
2	106-5187	1	Battery- Dry, 12V, 525 CCA
3	3230-6	1	Bolt-CARR
4	138-6335	1	Retainer-Battery
5	104-8300	1	Nut-HF, NI
6	109-5667	1	Nut-Push
7	122-1781	1	Cable-Battery, Bk ASM
8	122-1780	1	Cable-Battery, Rd ASM
9	33104-016	1	Screw-HHF
10	112-9921	2	Bolt ASM
10:1	32180-107	1	Bolt-Clamp, Battery
10:2	32180-108	2	Nut-Hex Shoulder
11	32180-110	1	Insulator-Lead Cast



## Engine Drivetrain and Exhaust Assembly

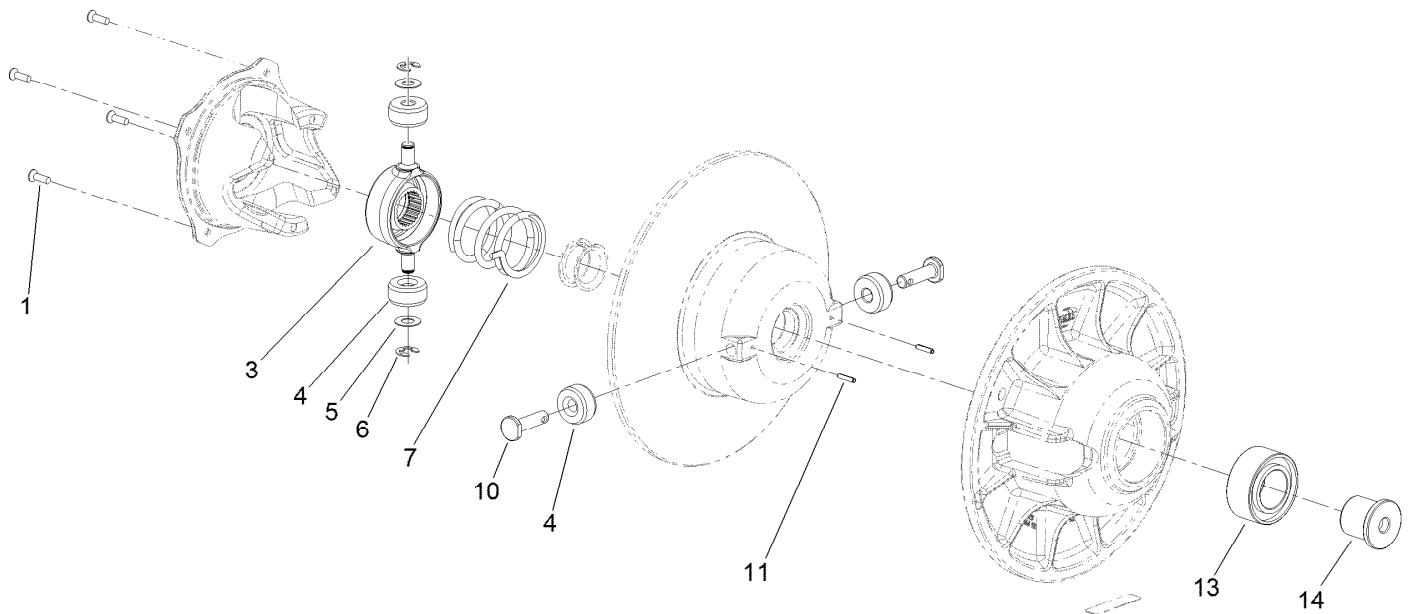
Ref.	Part Number	Qty.	Description	Ref.	Part Number	Qty.	Description
1		1	Engine/Drivetrain ASM ●	16	3234-46	2	Screw-HHF
2	138-9335	1	Muffler ASM (With Mounts)	17	99-5107	2	Nut-HF Nylock
2:1	138-9300	4	Isolator-Mount, Muffler	18	110-4110	1	Hose-Fuel
3	3234-36	5	Screw-HHF	19	140-2617	1	Pipe-Exhaust
4	104-8300	11	Nut-HF, NI	20	131-5945	1	Isolator-Engine
5	139-0856	3	Mount-Engine	21	144-2413	1	Clamp-Manifold (1.87" DIA)
6	138-6462	1	Support-Isolator	22	136-8683	2	Nut-Lock
7	80-8560	2	Washer-Hardened	23	32144-110	5	Screw-HWH
8	323-11	2	Screw-HH	24	32151-86	1	E-Ring
9	104-8301	2	Nut-HF, NI	25	145-2119	1	Gasket-Exhaust
10	3234-47	6	Screw-HHF	26	138-9301	4	Mount-Top Hat, Muffler
11	147-2704	1	Duct-Inlet, Cvt	27	323-12	1	Screw-HH
12	2412-125	2	Clamp-Hose	28	144-2433	1	Arrester- Spark, 1.75"
13	140-4685	1	Link Rod ASM	29	147-2700	1	Hood-Cvt Intake
14	140-4697	2	Bushing, Rubber	31	3234-26	2	Screw-HHF
15	109-5010	2	Spacer	32	1-803037	1	Nut-Retaining

● Not serviced separately



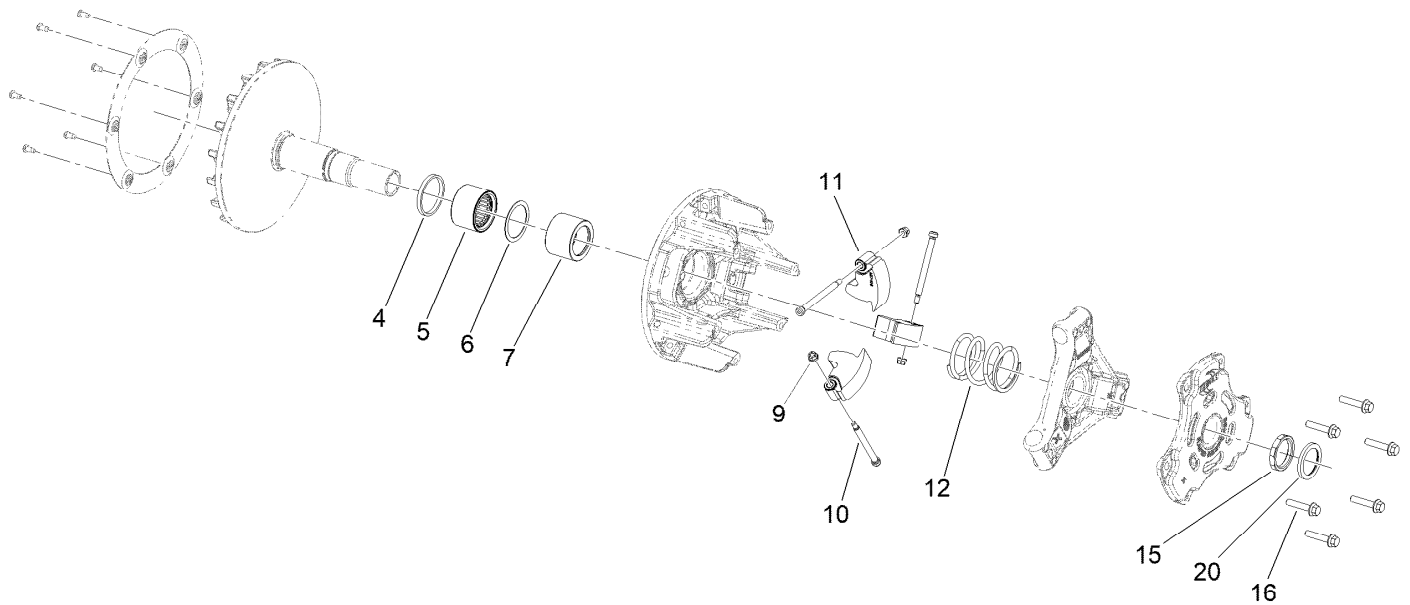
## Engine, Transaxle and Clutch Assembly

<i>Ref.</i>	<i>Part Number</i>	<i>Qty.</i>	<i>Description</i>	<i>Ref.</i>	<i>Part Number</i>	<i>Qty.</i>	<i>Description</i>
1	144-2216	1	Engine (Gas, 40 HP)	18	145-2235-0P	1	PSI Front Engine Mount ASM [pri
2	145-2143	1	Housing-Flywheel, Gas	19	140-2624-0P	1	Bracket-Drivetrain, Rear
3	139-4598-0P	1	Plate-Spanner	20	33115-140	2	Screw-HH
4	140-2611	1	Transaxle ASM	21	103-9511	2	Nut-Flg
5	139-4591	1	Clutch-Secondary	22	120-4839	4	Screw-HHF
6	145-2145	1	Adapter-Clutch	23	140-2689	2	Screw-HH
7	139-4590	1	Clutch-Primary	24	114-8417	2	Nut-HF, NI
8	104-6550	1	Washer-Clutch	25	3234-38	2	Screw-HHF
9	99-7201	1	Screw-HH	26	99-5107	2	Nut-HF Nylock
10	140-4777	1	Screw-HHF	27	104-2628	4	Screw
11	140-2603	1	Enclosure-Cvt	28	145-2146	1	Bearing-Ball
12	140-2604-0P	1	Bracket-Transmission, LH	29	133-1717	1	Screw-Set
13	145-7785-0P	1	Bracket-Trans, RH (Gas)	30	3290-378	1	Tie-Cable
14	33104-020	6	Screw-HHF	31	145-7799	1	Gasket-Cover, Cvt
15	110-3986	14	Screw	32	36-4780	2	Washer-Plain
16	140-4669	6	Clip-Spring				
17	145-7789	1	Belt-Variable				



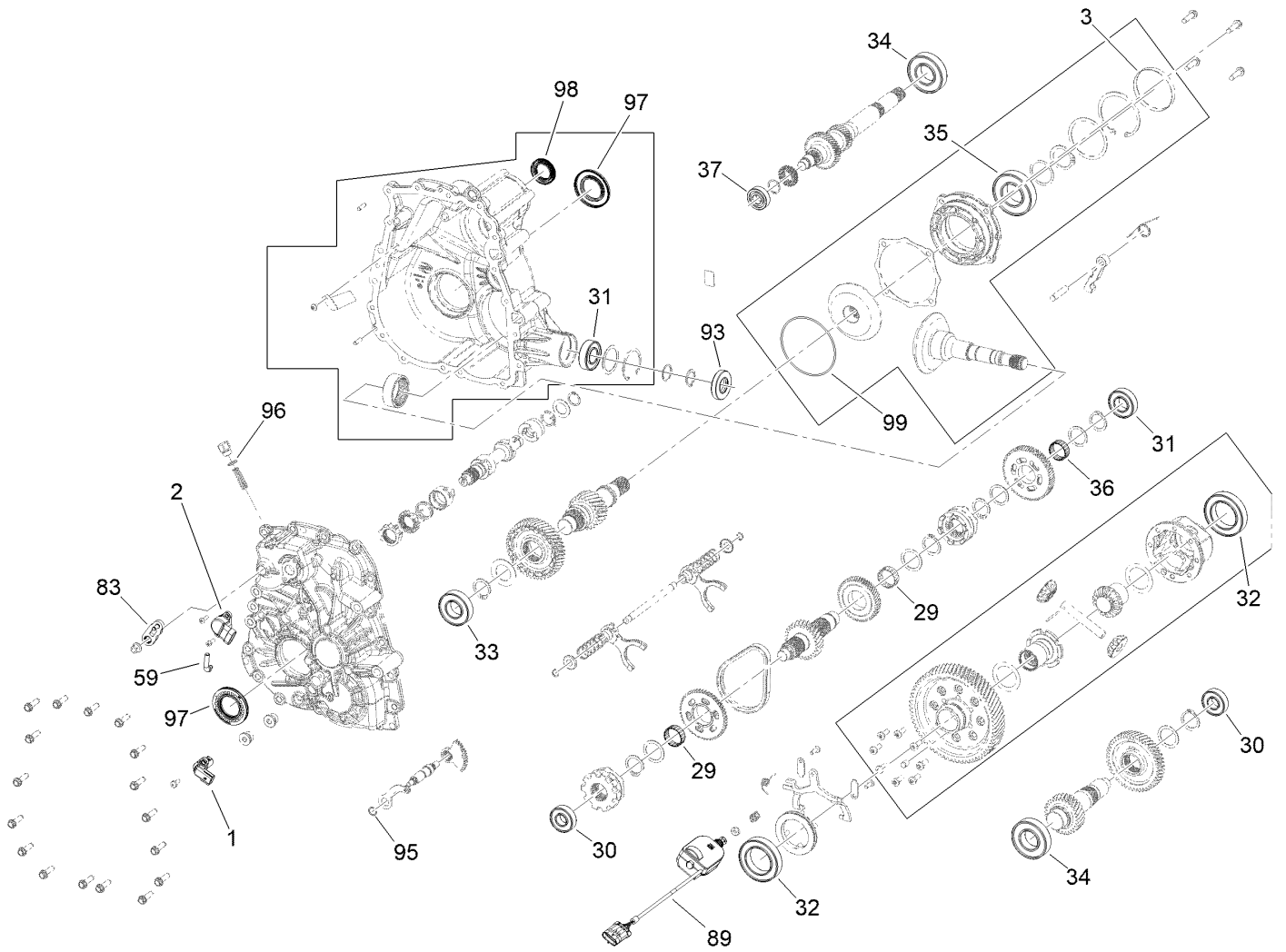
## Secondary Clutch Assembly No. 139-4591

Ref.	Part Number	Qty.	Description
1	145-2104	4	Screw, Machine Torx Sfch 10-32 X .625
3	145-2025	1	Spider 9.5 25T Mach
4	145-2026	4	Roller-Clutch 1.135 X .550
5	130-4059	2	Washer-Thrust
6	130-4058	2	E-Ring
7	145-2027	1	Spring-Comp 2.00 OD Secondary 175-320
10	130-4063	2	Pin-Roller
11	130-4065	2	Pin-Spring, Slotted
13	145-2028	1	Bearing-Ball
14	145-2029	1	Sleeve-Shoulder



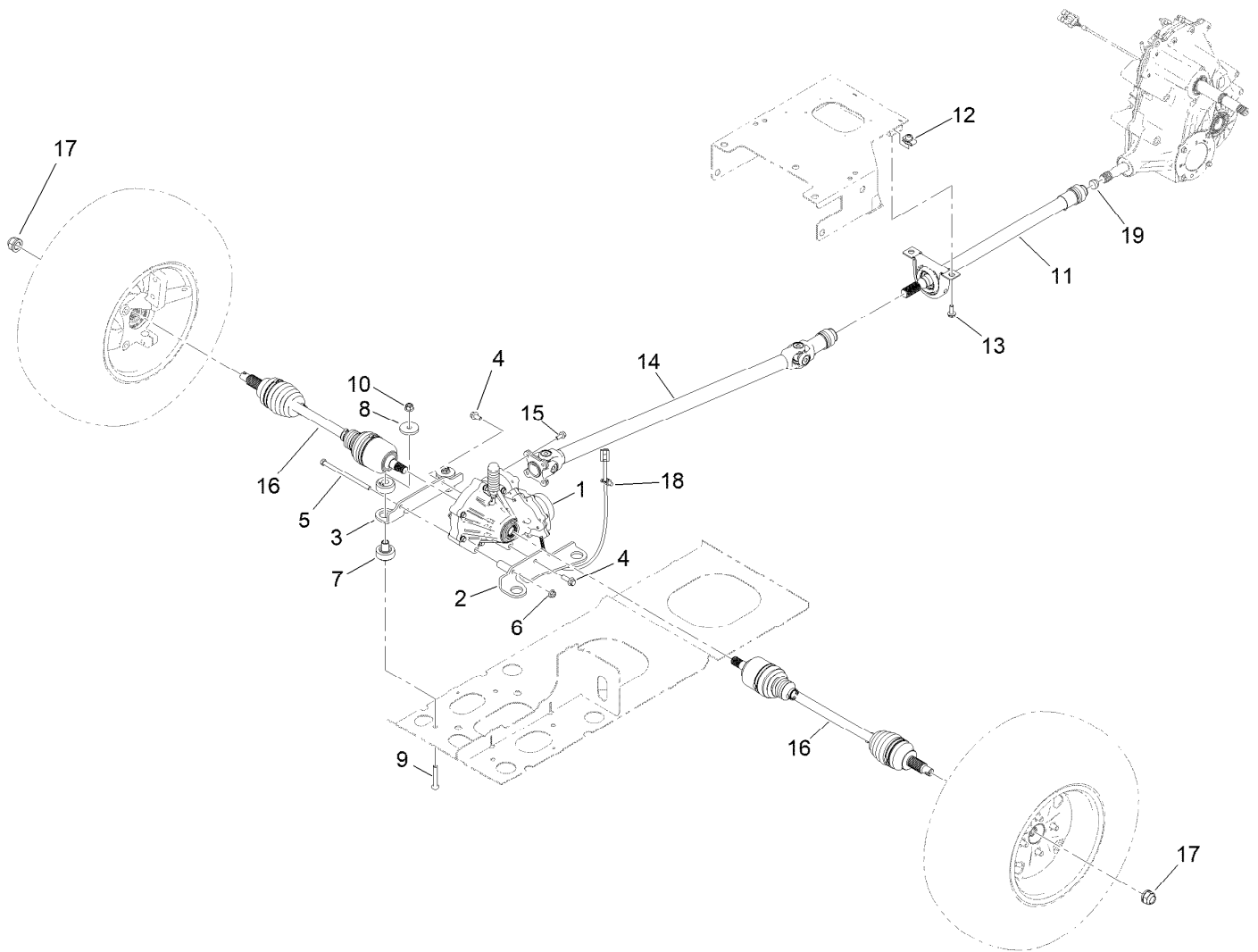
## Primary Clutch Assembly No. 139-4590

<i>Ref.</i>	<i>Part Number</i>	<i>Qty.</i>	<i>Description</i>
4	145-2018	1	Washer-Thrust
5	145-2019	1	Subassembly, Idler Primary
6	130-4069	1	Washer-Thrust
7	145-2020	1	Cap-Idler Sleeve
9	145-2103	3	Nut, Lock Hex 10-24 Flexloc
10	119-6016	3	Screw-Shoulder
11	145-2021	3	Weight-Clutch M17-198
12	145-2022	1	Spring-Compression 2.00 OD Primary 70-13
15	145-2023	1	Nut-Jam
16	145-2024	6	Screw-Hex Flange 1/4-20 X 1.25
20	145-7784	1	Collar Primary Shift Stop



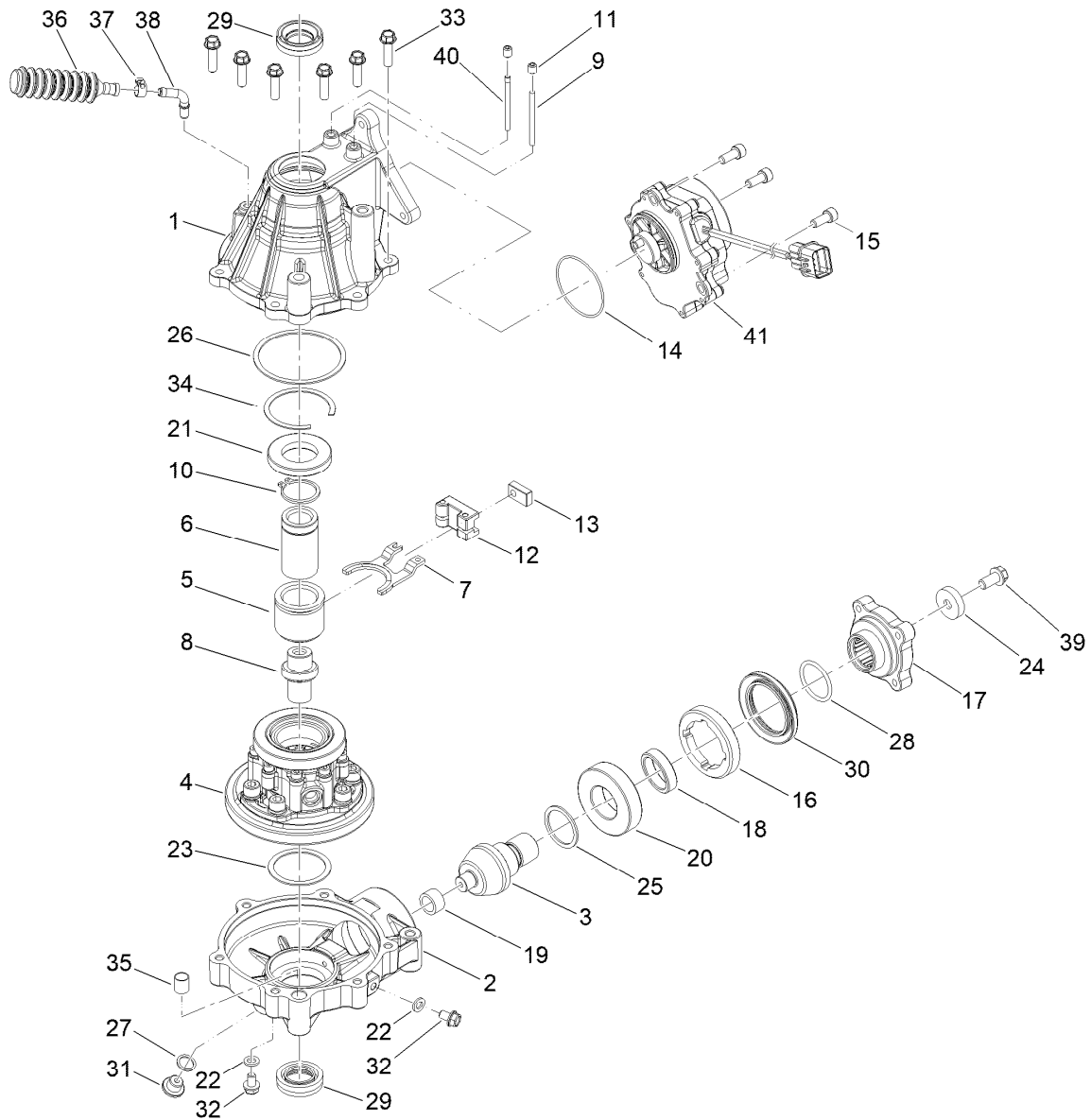
## Transaxle Assembly No. 140-2611

Ref.	Part Number	Qty.	Description	Ref.	Part Number	Qty.	Description
1	145-2039	1	Sensor,Speed, Transaxle	59	145-2037	1	Tube,Vent, 90-1/4" Hose
2	145-2040	1	Sensor, Assembly, Rotary Position	83	145-2038	1	Subassembly, Bellcrank
3	145-2030	1	Plug-Expansion 80MM X 10MM	89	145-2041	1	Shift Actuator, 2 Position
29	130-4616	2	Bearing-Needle	93	145-2042	1	Seal, Triple Lip, 0.984 X 2.047 X 0.394
30	145-2031	2	Bearing, Ball 6204 C3	95	145-2043	1	O-Ring
31	145-2032	2	Bearing, Ball 6205 C3	96	145-2044	1	O-Ring, 0.530 ID X .082 Wide
32	130-4666	2	Bearing-Ball	97	145-2045	2	Seal, Triple Lip, Viton, 40 X 70 X 7
33	145-2033	1	Bearing, Ball 6206 C3	98	145-2046	1	Seal, Triple Lip, 1.180 X 1.8520 X 0.315
34	145-2034	2	Bearing, Ball 6207 C3	99	145-2047	1	O-Ring, Nitrile
35	145-2035	1	Bearing, Ball 6208 C3				
36	130-4618	1	Bearing-Needle				
37	145-2036	1	Bearing, Ball 6203 C3				



## Front Differential and Driveshaft Assembly

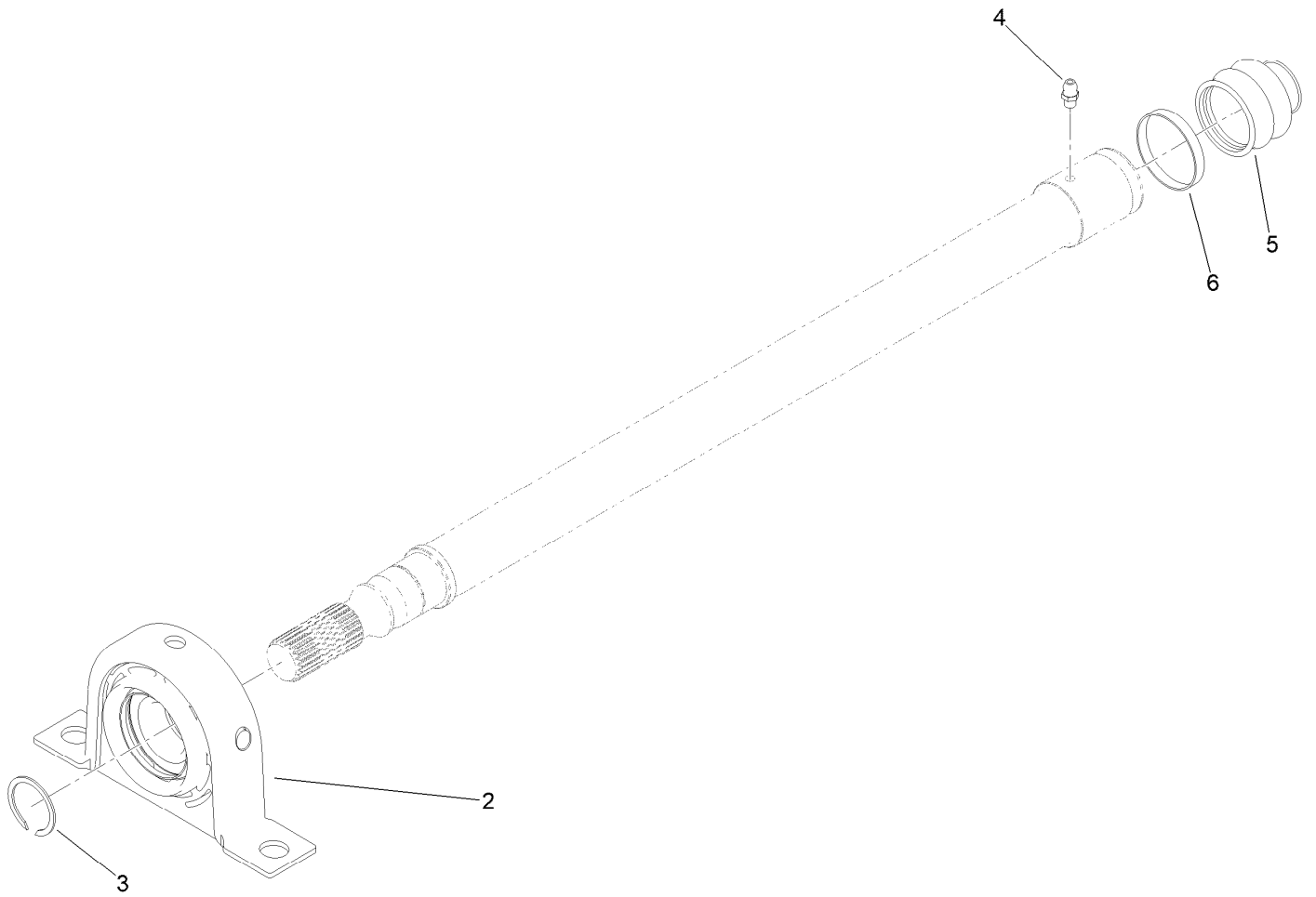
<i>Ref.</i>	<i>Part Number</i>	<i>Qty.</i>	<i>Description</i>	<i>Ref.</i>	<i>Part Number</i>	<i>Qty.</i>	<i>Description</i>
1	140-4752	1	Differential-Front	11	140-4771	1	Driveshaft ASM-Intermediate
2	144-2213-0P	1	Mount ASM-Differential, LH	12	105-4886	2	Nut-Tinnerman
3	140-4692-0P	1	Mount-Differential, RH	13	3234-42	2	Screw-HHF
4	145-7778	2	Screw-HHF	14	140-2647	1	Driveshaft ASM
5	323-26	1	Screw-HH	15	139-3392	4	Screw-Lock
6	104-8301	1	Nut-HF, NI	16	140-2644	2	Cv Axle ASM, Front
7	147-2708	4	Mount-Isolator	17	115-2164	2	Nut-Spindle
8	109-6919	4	Washer-Plain	18	32180-030	1	Clip-Tie
9	144-2215	4	Screw-Bht	19	145-7787	1	Bumper-Drive Shaft
10	114-8417	4	Nut-HF, NI				



## Front Differential Assembly No. 140-4752

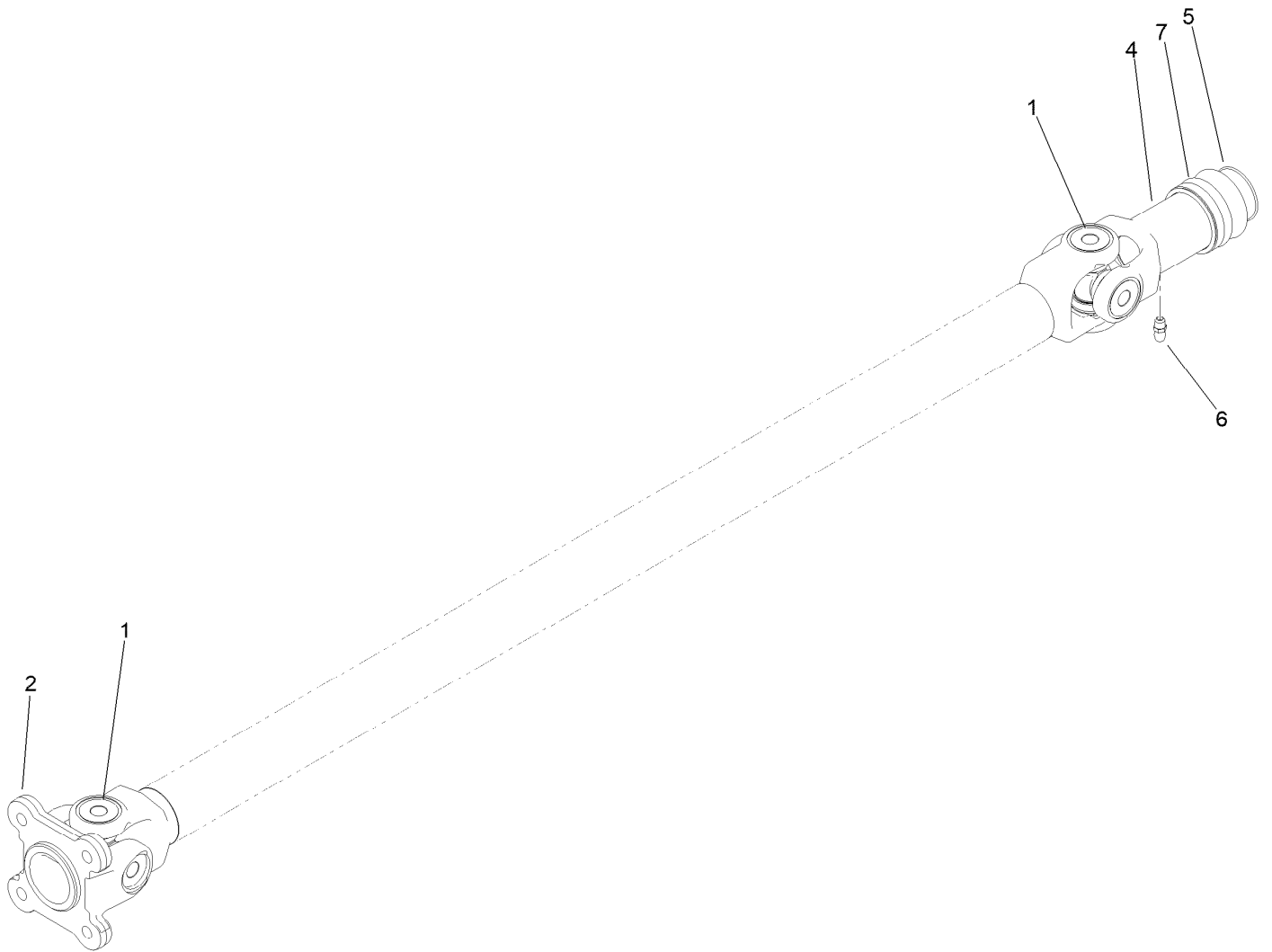
Ref.	Part Number	Qty.	Description
1	145-7895	1	Cover
2	145-7896	1	Housing
3	145-7897	1	Pinion
4	145-7898	1	Planet Carrier Sub-ASM
5	145-7899	1	Clutch
6	145-7900	1	Support Ring
7	145-7901	1	Fork
8	145-7902	1	Gear A
9	145-7903	1	Pin, 5 X 62L
10	145-7904	1	Retaining Ring, External 34
11	145-7905	2	Bolt, M10 X 10L
12	145-7906	1	Slider A
13	145-7907	1	Slider B
14	145-7908	1	O-Ring, 62 I.D. X 2 Wide
15	145-7909	3	Screw, Sh, M8X20L
16	145-7910	1	Nut, M74
17	145-7911	1	Flange
18	145-7912	1	Bushing
19	145-7913	1	Needle Bearing, Hk1612
20	145-7914	1	Ball Bearing, 6207
21	145-7915	1	Ball Bearing, 16007

Ref.	Part Number	Qty.	Description
22	145-7916	2	Washer, 8.2 X 16 X 2T
23	145-7917	1	Shim, 50.5 X 61
24	145-7918	1	Lock Washer
25	145-7919	1	Shim, 36 X 44
26	145-7920	1	Shim, 79 X 89
27	145-7921	1	Washer, 14.5 X 22 X 1T
28	145-7922	1	O-Ring, P26
29	145-7923	2	Seal, 25 X 45 X 7T X 11T
30	145-7924	1	Seal, 40 X 75 X 8T X 12T
31	145-7925	1	Plug, M14 X 9.5L
32	145-7926	2	Screw, HH, M8Xp1.25X12L
33	145-7927	6	Screw, HH, M8Xp1.25X30L
34	145-7928	1	Retaining Ring, Internal 62
35	145-7929	1	Location Pin
36	145-7930	1	Breathing Tube
37	145-7931	1	Ring
38	145-7932	1	Tube, Vent, 90 DEG
39	145-7933	1	Screw, HH, M10Xp1.25X20L
40	145-7934	1	Pin, 5 X 4.63 X 62L
41	145-7935	1	Actuator



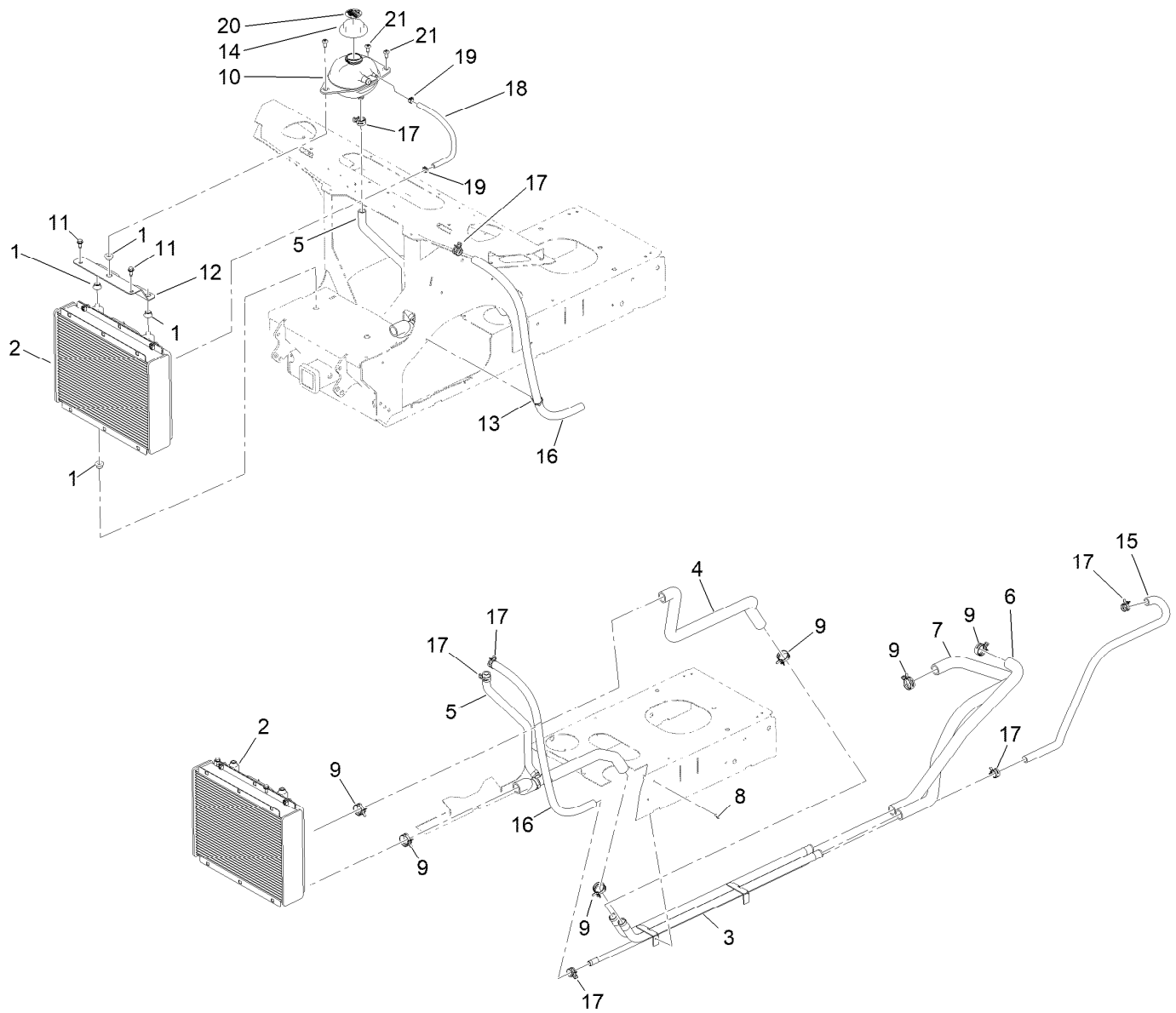
## Intermediate Driveshaft Assembly No. 140-4771

<i>Ref.</i>	<i>Part Number</i>	<i>Qty.</i>	<i>Description</i>
2	139-4442	1	Bearing-Hanger
3	144-2208	1	Retainer-Bearing
4	302-5	1	Fitting-Grease
5	140-4772	1	Boot-Joint, Slip
6	140-4760	1	Band



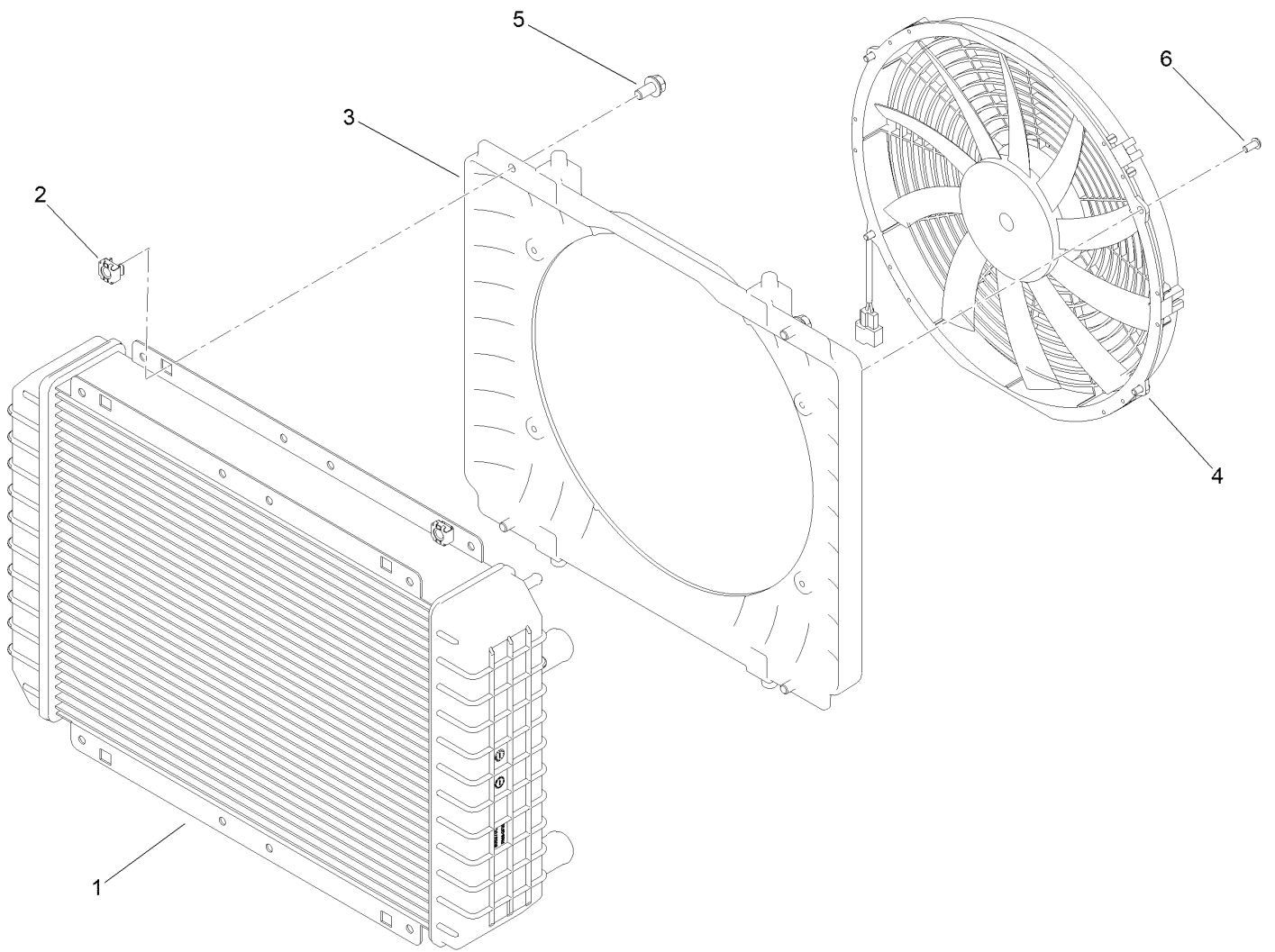
## Driveshaft Assembly No. 140-2647

<i>Ref.</i>	<i>Part Number</i>	<i>Qty.</i>	<i>Description</i>
1	138-9162	2	U-Joint Kit
2	138-9178	1	Yoke-Flange
4	140-4753	1	Yoke-Slip, Female
5	140-4754	1	Boot-Joint, Slip
6	110-4755	1	Fitting-Grease
7	140-4760	1	Band



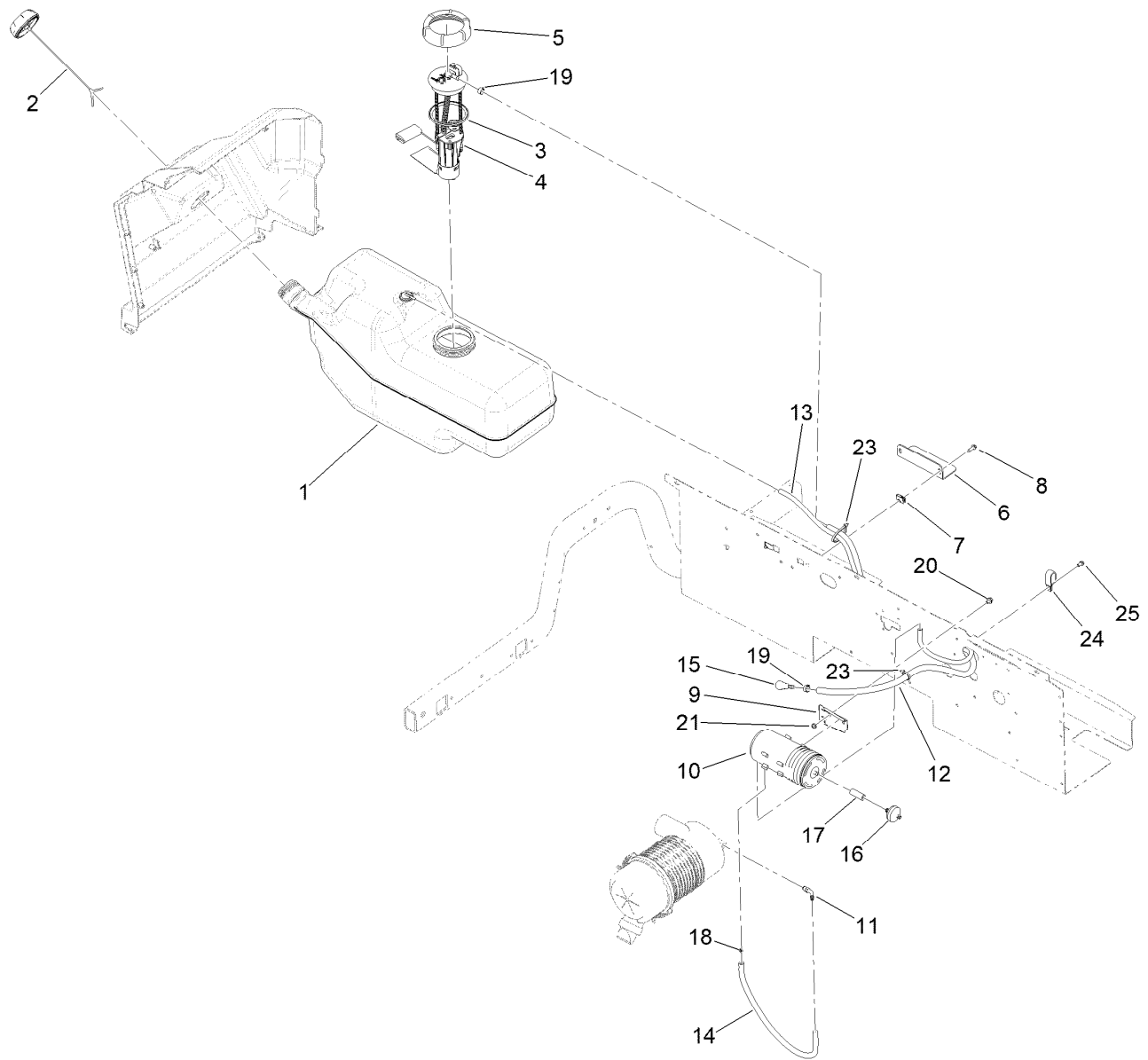
## Cooling System Assembly

<i>Ref.</i>	<i>Part Number</i>	<i>Qty.</i>	<i>Description</i>	<i>Ref.</i>	<i>Part Number</i>	<i>Qty.</i>	<i>Description</i>
1	137-6828	4	Bushing-Flange	12	147-8056-05	1	Bracket-Mount, Radiator
2	147-7970	1	Radiator ASM	13	32180-030	2	Clip-Tie
3	137-2681	1	Tube ASM-Coolant	14	161-5218	1	Ratcheting Coolant Cap ASM
4	140-2628	1	Hose-Radiator, Upper	15	144-2220	1	Hose-Coolant, Minor
5	140-4751	1	Hose ASM-Coolant	16	140-4757	1	Hose-Coolant
6	140-2634	1	Hose-Coolant, Upper	17	144-2248	5	Clamp-Sc Band
7	144-2242	1	Hose-Coolant, Lower	18	120-5019	1	Hose-Coolant
8	32144-4	2	Screw-HWH	19	92-2379	2	Clamp-Hose
9	144-2246	8	Clamp-Sc Band	20	106-6755	1	Decal-Cap, Radiator
10	147-8086	1	Coolant Tank ASM	21	138-9753	3	Screw
11	32144-70	2	Screw-HWHTF				



## Radiator Assembly No. 147-7970

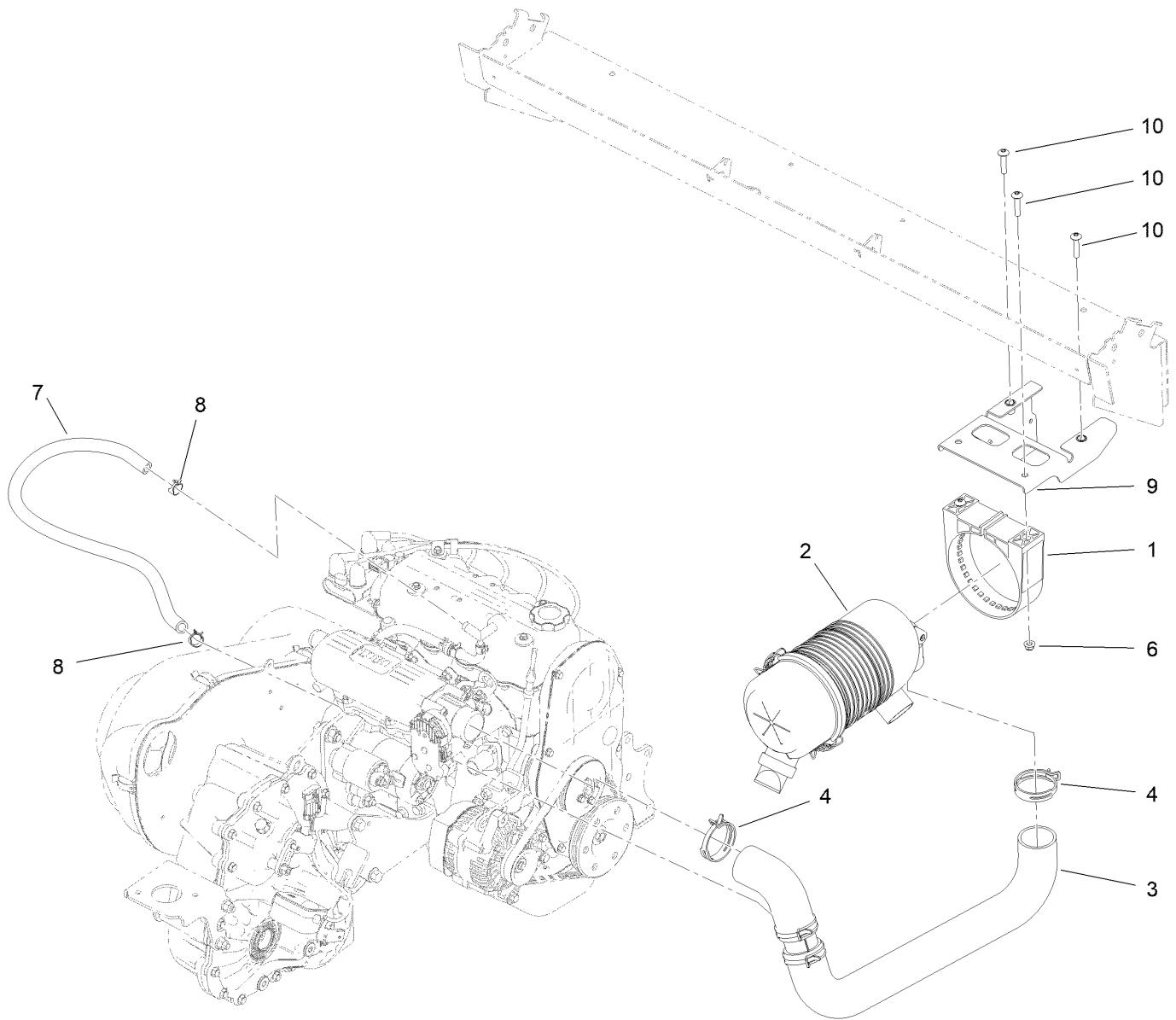
<i>Ref.</i>	<i>Part Number</i>	<i>Qty.</i>	<i>Description</i>
1	147-7971	1	Radiator
2	703856	4	Nut-Sq, Caged
3	139-4587	1	Shroud-Fan, Radiator
4	140-4694	1	Fan
5	139-2593	4	Screw-HHF
6	147-7972	4	Screw-BHCS



## Fuel System Assembly

Ref.	Part Number	Qty.	Description	Ref.	Part Number	Qty.	Description
1	137-2711	1	Fuel Tank ASM (8 Gallon Gas)	13	119-3517	1	Hose-Fuel
2	126-1789	1	Cap-Fuel, Ratcheting	14	109-0298	1	Line-Fuel
3	138-9333	1	Gasket-Fuel Sender	15	125-2921	1	Fitting-Fuel
4	138-9330	1	Fuel Pump ASM	16	115-7854	1	Filter-Fuel, Inline
5	138-9332	1	Cap-Fuel Sender	17	106-5317	1	Hose-Fuel
6	138-9445	1	Bracket-Mount, Fuel Tank	18	120-2038	1	Cartridge-Valve, Check
7	107069	2	Clip	19	92-2379	2	Clamp-Hose
8	49-2040	2	Screw-HWHTF	20	3234-26	2	Screw-HHF
9	114-0292	1	Bracket-Canister, Carbon	21	3296-56	2	Nut-Lock, NI
10	117-1221	1	Canister-Carbon, 800Cc	23	3290-378	3	Tie-Cable ●
11	94-7222	1	Barb-Hose	24	92-5753	2	Clamp-Hose
12	144-2247	1	Hose-Fuel	25	32144-4	2	Screw-HWH

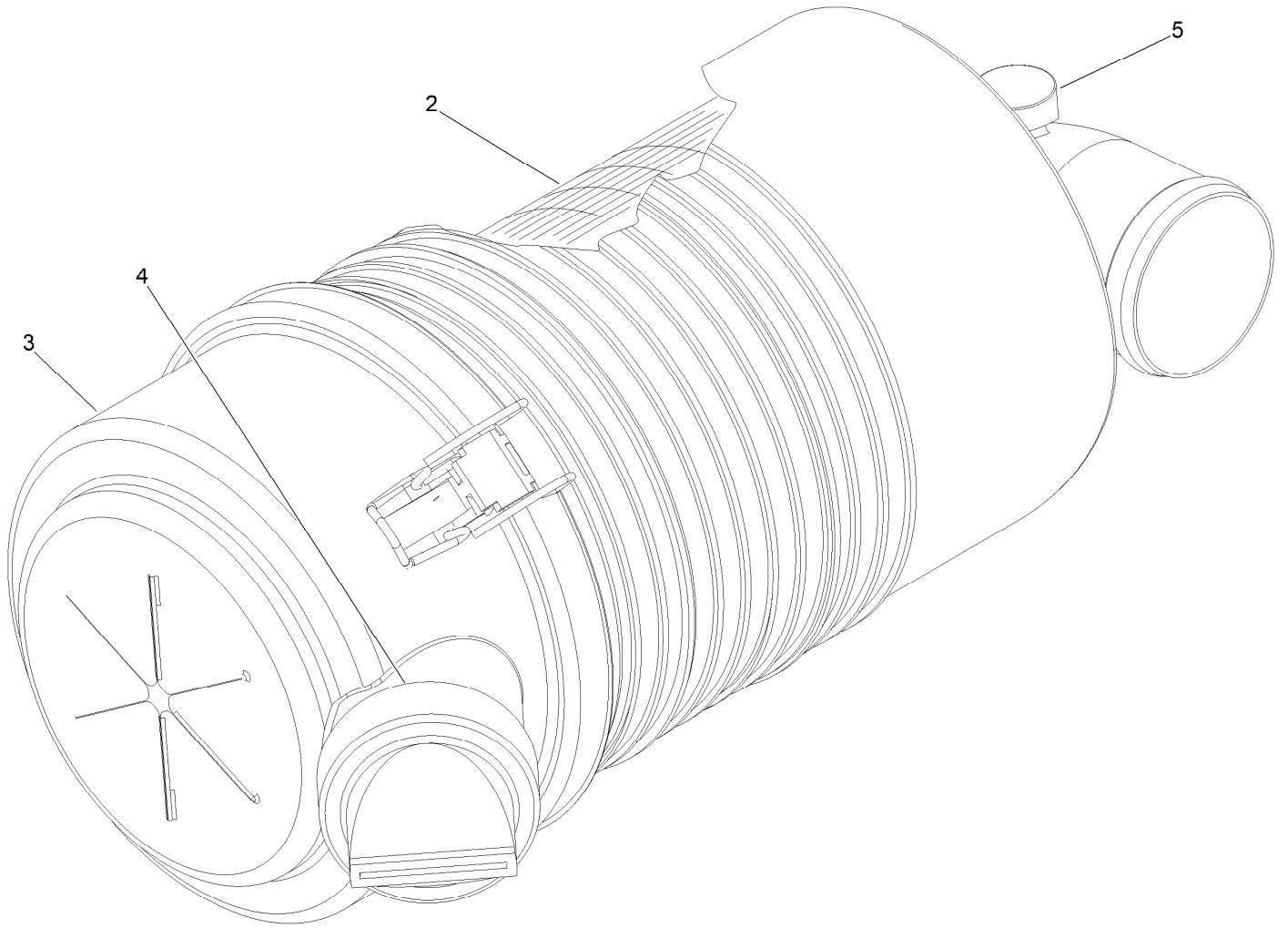
● Not illustrated



## Air Cleaner Assembly

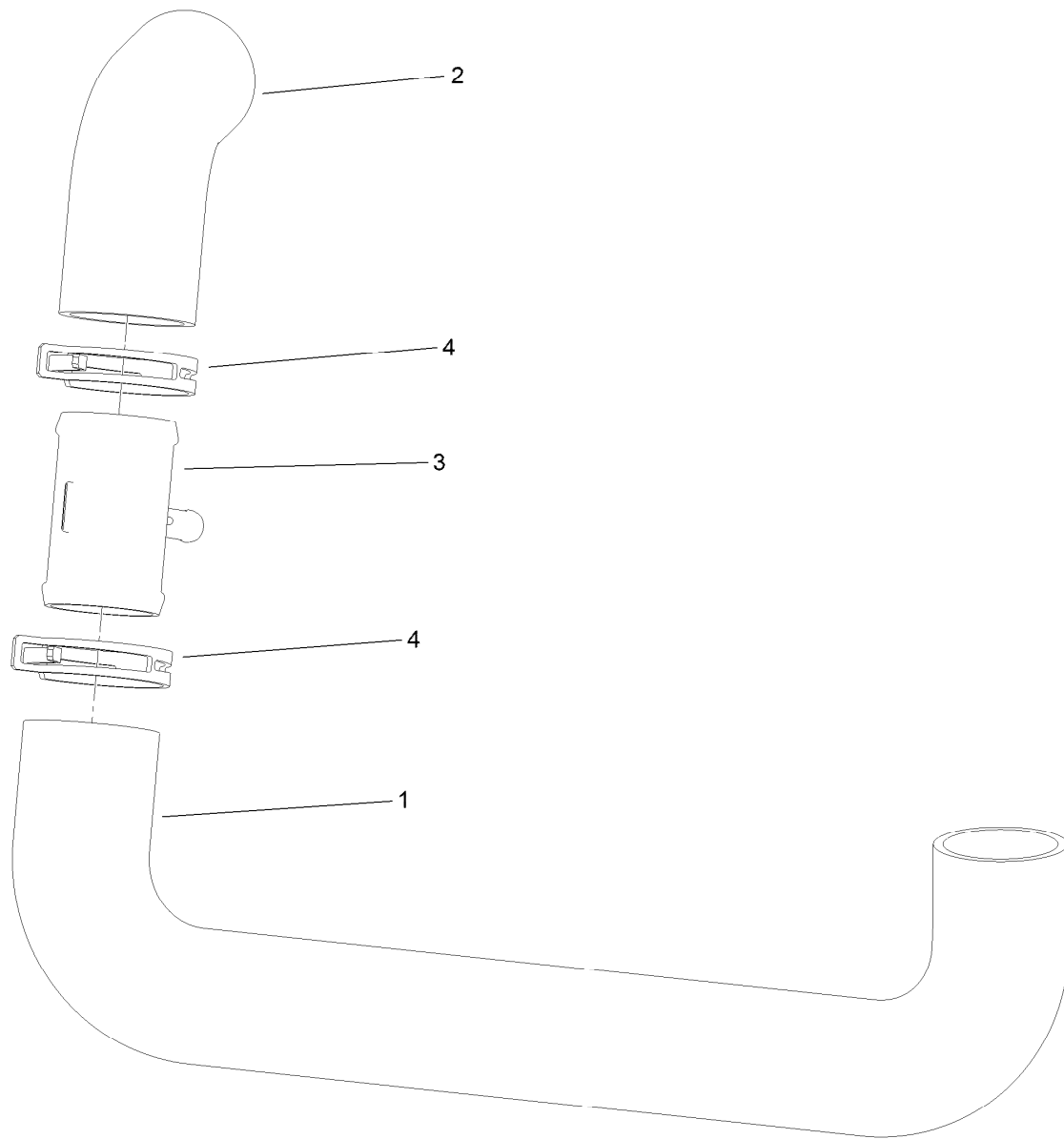
Ref.	Part Number	Qty.	Description
1	98-4525	1	Bracket-Cleaner, Air
2	106-5277	1	Air Cleaner ASM
3	145-2118	1	Hose ASM-Intake
4	144-2200	2	Clamp-Sc Band
6	104-8300	2	Nut-HF, NI
7	127-1777	1	Hose-Fuel
8	2412-143	2	Clamp-Hose
9	147-8105	1	Air Cleaner Bracket ASM
10	126-7439	4	Screw-Torx

# Air Cleaner Assembly No. 106-5277



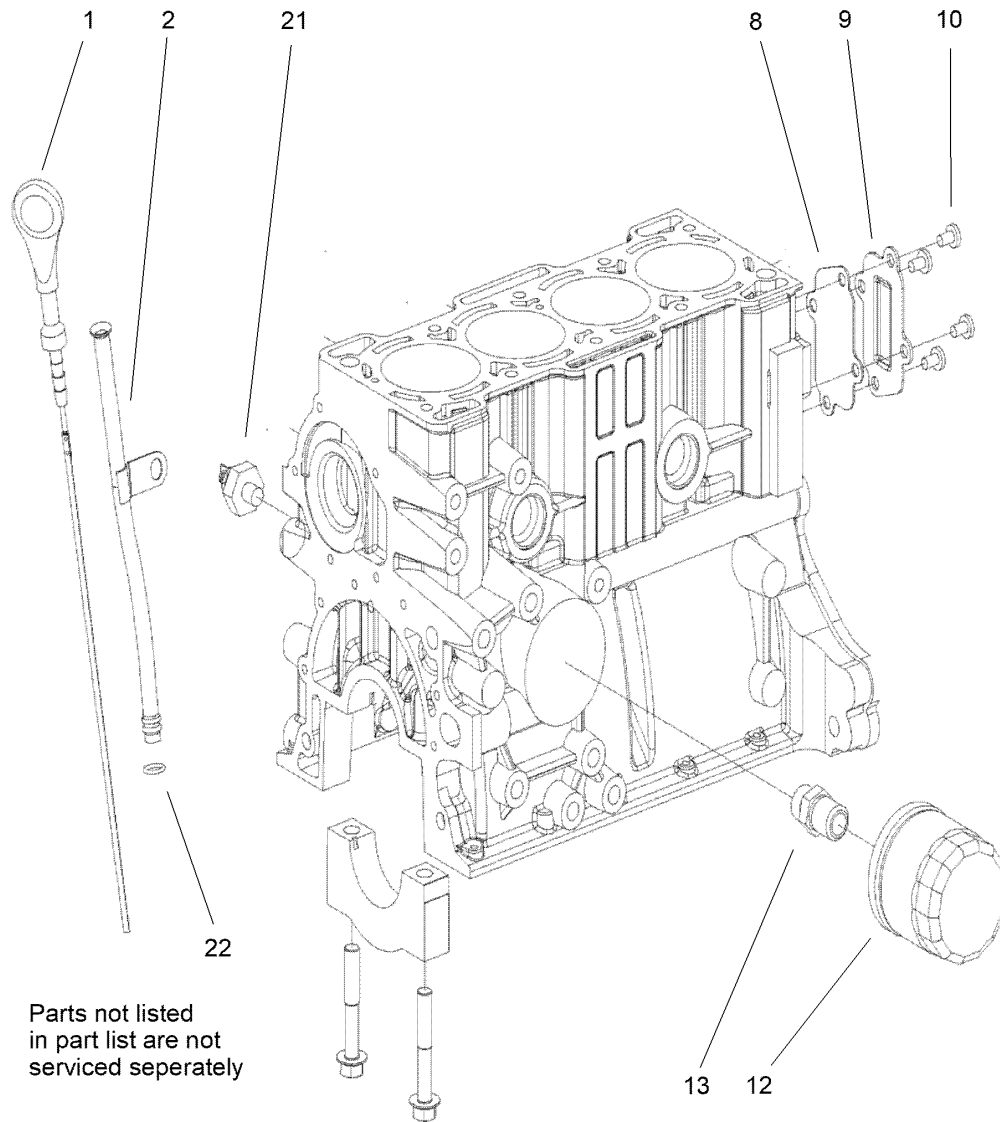
## Air Cleaner Assembly No. 106-5277 (continued)

<i>Ref.</i>	<i>Part Number</i>	<i>Qty.</i>	<i>Description</i>	<i>Ref.</i>	<i>Part Number</i>	<i>Qty.</i>	<i>Description</i>
2	108-3810	1	Filter-Air	4	87-9400	1	Valve-Vacuator
3	98-9771	1	Cover ASM	5	285-17	1	Plug-Pipe



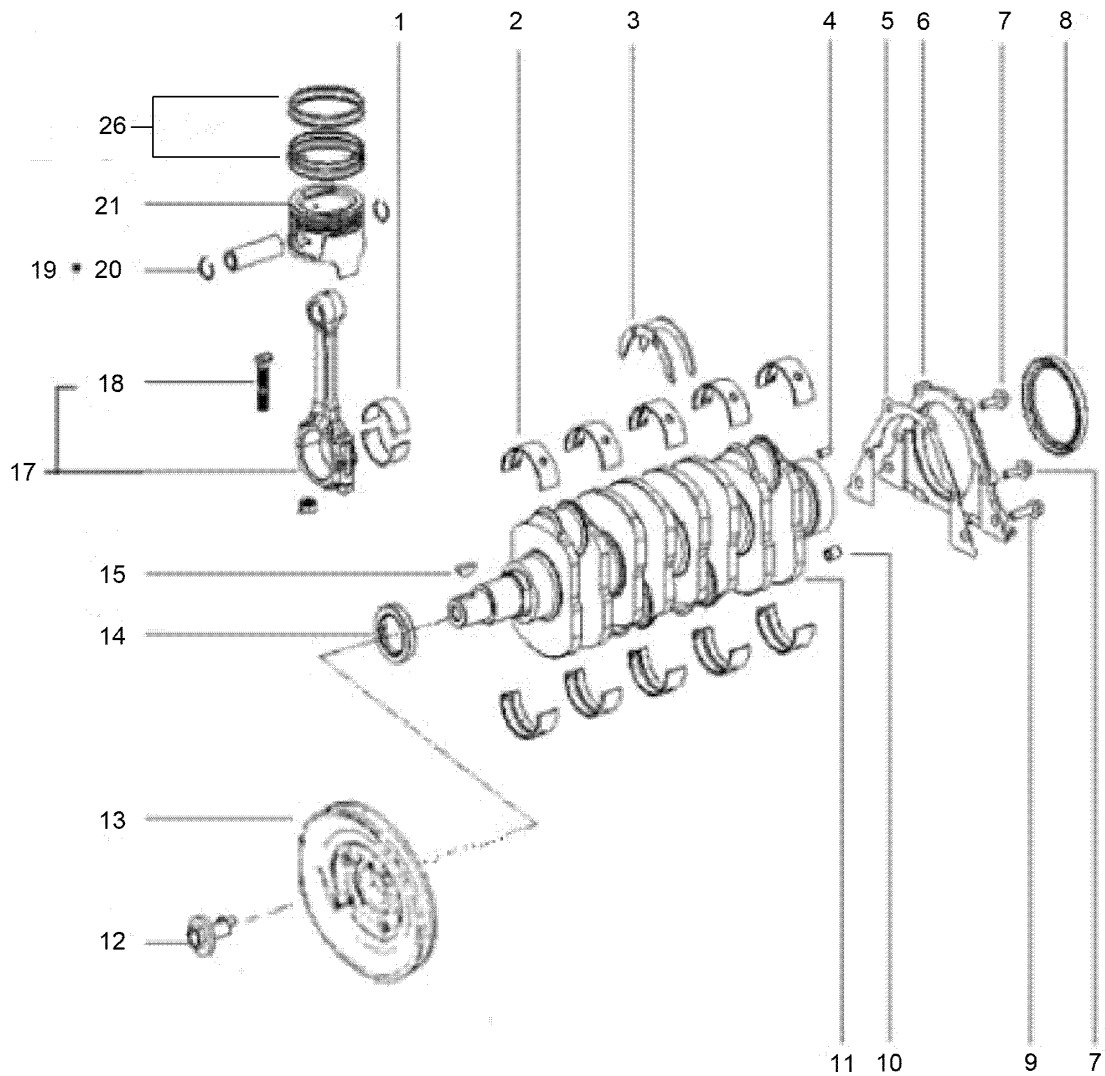
## Hose Intake Assembly No. 145-2118

<i>Ref.</i>	<i>Part Number</i>	<i>Qty.</i>	<i>Description</i>
1	145-2116	1	Hose-Air Intake, A
2	145-2117	1	Hose-Air Intake, B
3	145-2112	1	Fitting-Tee
4	144-2200	2	Clamp-Sc Band



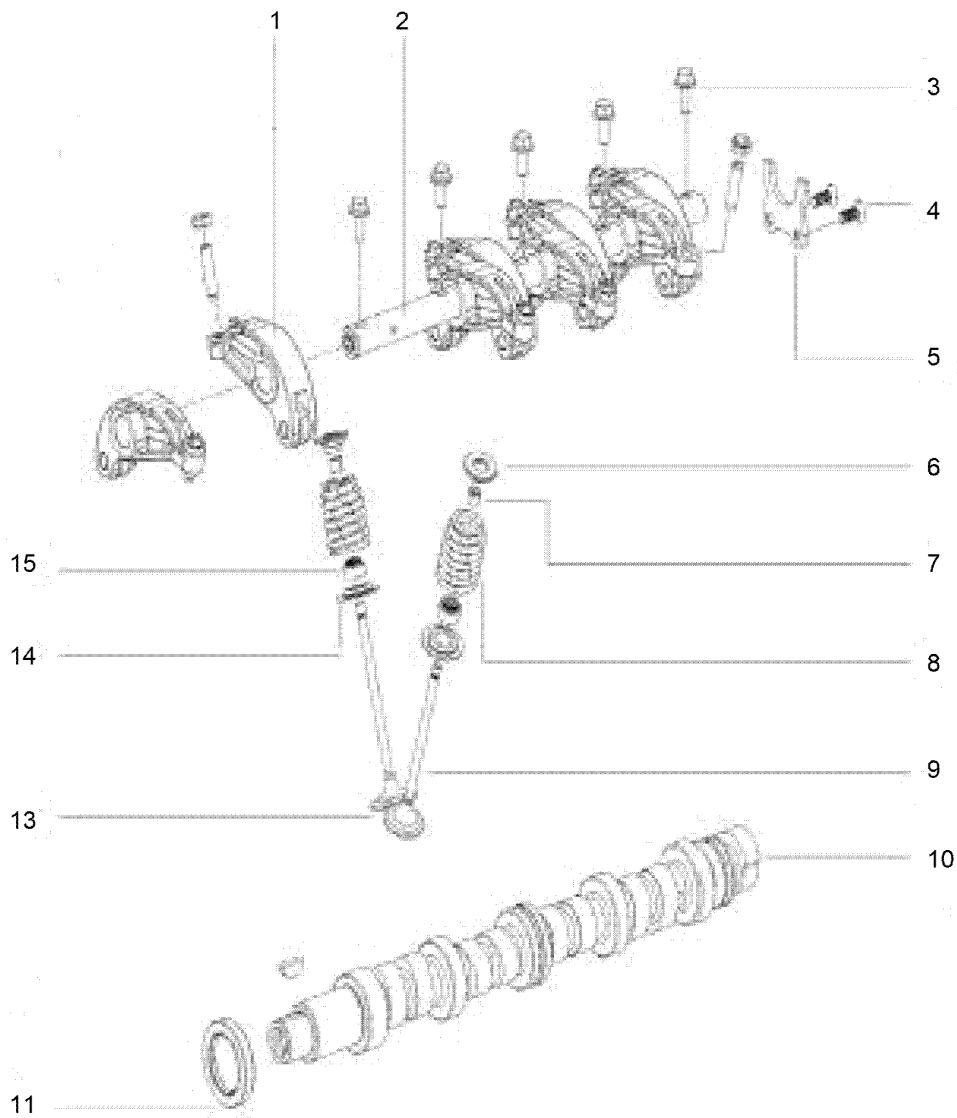
## Cylinder Block Assembly

<b>Ref.</b>	<b>Part Number</b>	<b>Qty.</b>	<b>Description</b>
1	145-7937	1	Dip Stick, Oil
2	145-7938	1	Tube, Dipstick
8	145-7939	1	Gasket, Water Sealing Cover
9	145-7940	1	Cover, Water Sealing
10	145-7941	4	Bolt
12	145-7942	1	Filter, Oil
13	145-7943	1	Fitting, Oil Filter
21	145-7944	1	Switch, Oil Pressure
22	145-7945	1	Seal, Dipstick Tube



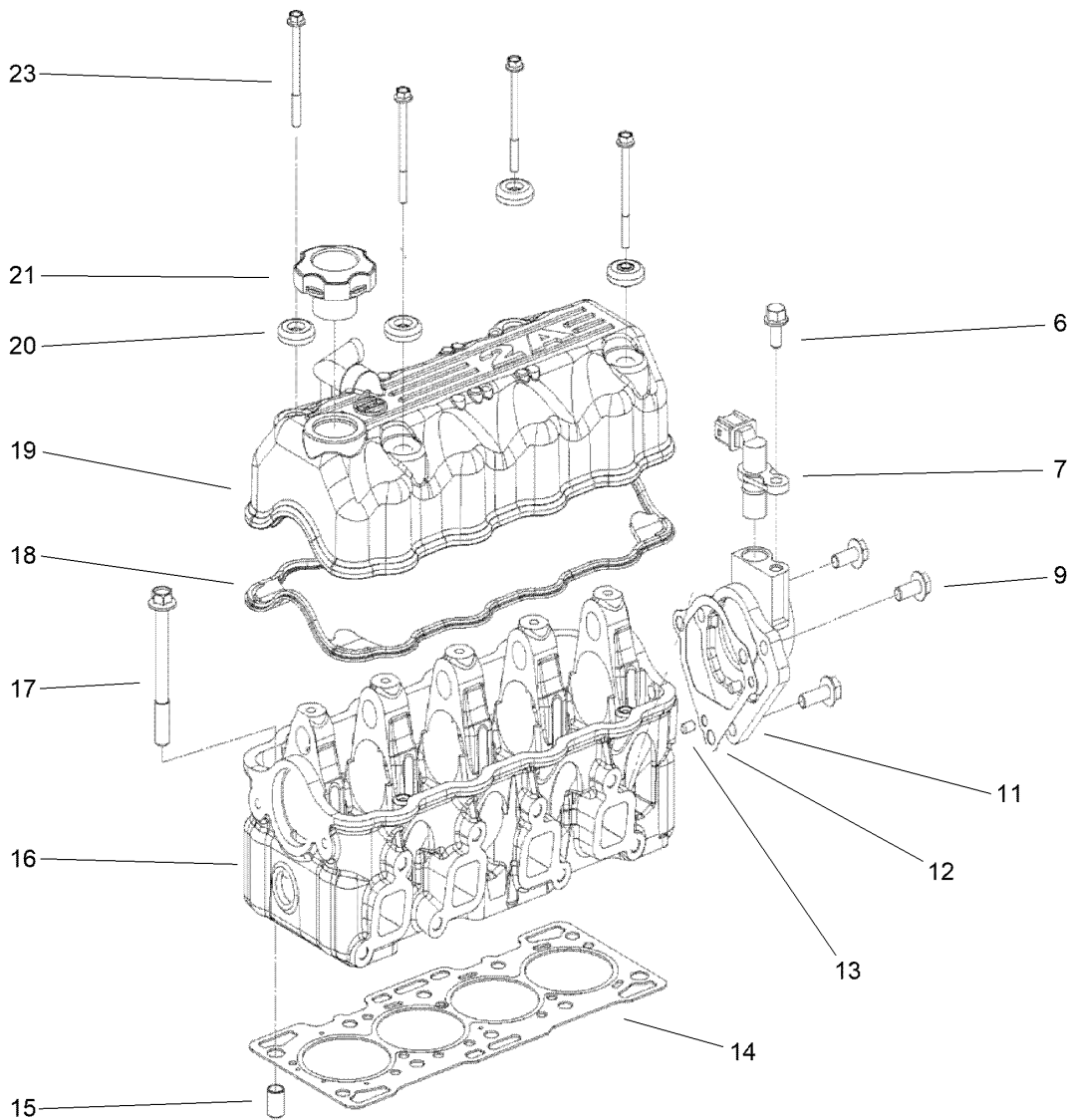
## Crankshaft and Piston Assembly

<i>Ref.</i>	<i>Part Number</i>	<i>Qty.</i>	<i>Description</i>	<i>Ref.</i>	<i>Part Number</i>	<i>Qty.</i>	<i>Description</i>
1	145-7947	1	Bearing, Connecting Rod	12	147-2557	1	Bolt, Crankshaft Pulley
2	145-7946	1	Bearing, Main (Set Of 10)	13	147-2558	1	Pulley, Crankshaft
3	145-7948	1	Bearing, Thrust	14	147-2559	2	Seal-Oil (Front)
4	145-7949	1	Pin, Locating	15	147-2560	2	Key, Woodruff
5	147-2550	1	Gasket, Oil Seal Housing	17	147-2561	4	Connecting Rod
6	147-2551	1	Housing, Oil Seal	18	147-2562	8	Bolt-Rod, Connecting
7	147-2552	4	Bolt, Oil Seal Housing	19	147-2563	8	Clip, Piston Pin
8	147-2553	1	Seal, Oil (Rear)	20	147-2564	4	Pin, Piston
9	147-2554	2	Bolt, Oil Seal Housing	21	147-2565	4	Piston
10	147-2555	3	Bushing	26	147-2566	4	Piston Ring Set - Complete
11	147-2556	1	Crankshaft				



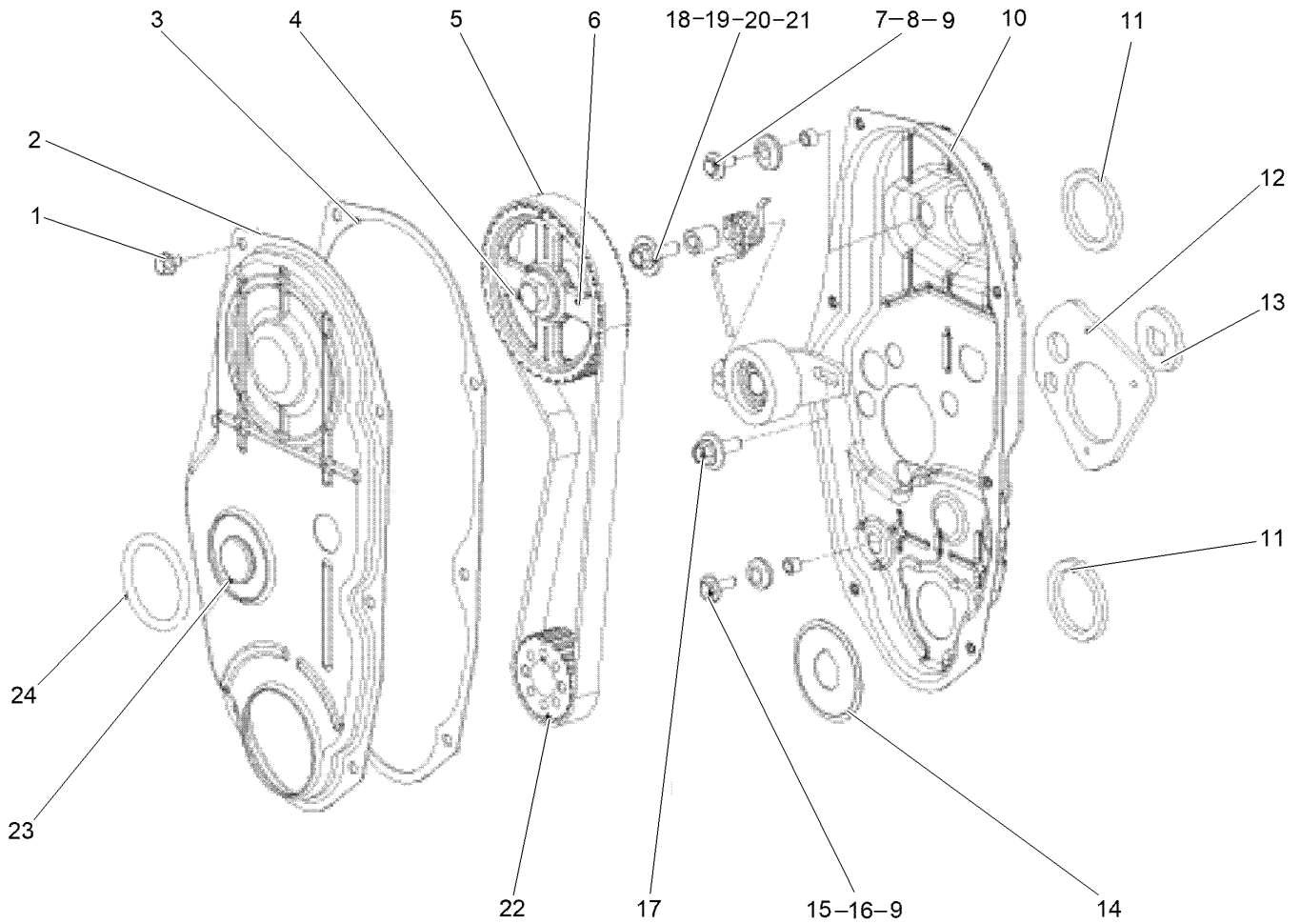
## Camshaft and Rocker Arm Assembly

<i>Ref.</i>	<i>Part Number</i>	<i>Qty.</i>	<i>Description</i>
1	147-2567	8	Arm, Rocker
2	147-2568	1	Shaft, Rocker Arm
3	147-2569	5	Bolt
4	147-2570	2	Bolt
5	147-2571	1	Plate, Camshaft Thrust
6	147-2572	8	Seat, Valve Spring
7	147-2573	16	Rotaton, Valve
8	147-2574	8	Valve, Spring
9	147-2575	4	Valve, Exhaust
10	147-2576	1	Camshaft
11	147-2577	1	Seal, Camshaft
13	147-2578	4	Valve, Intake
14	147-2580	8	Seat, Valve Spring
15	147-2579	8	Seal, Valve Stem



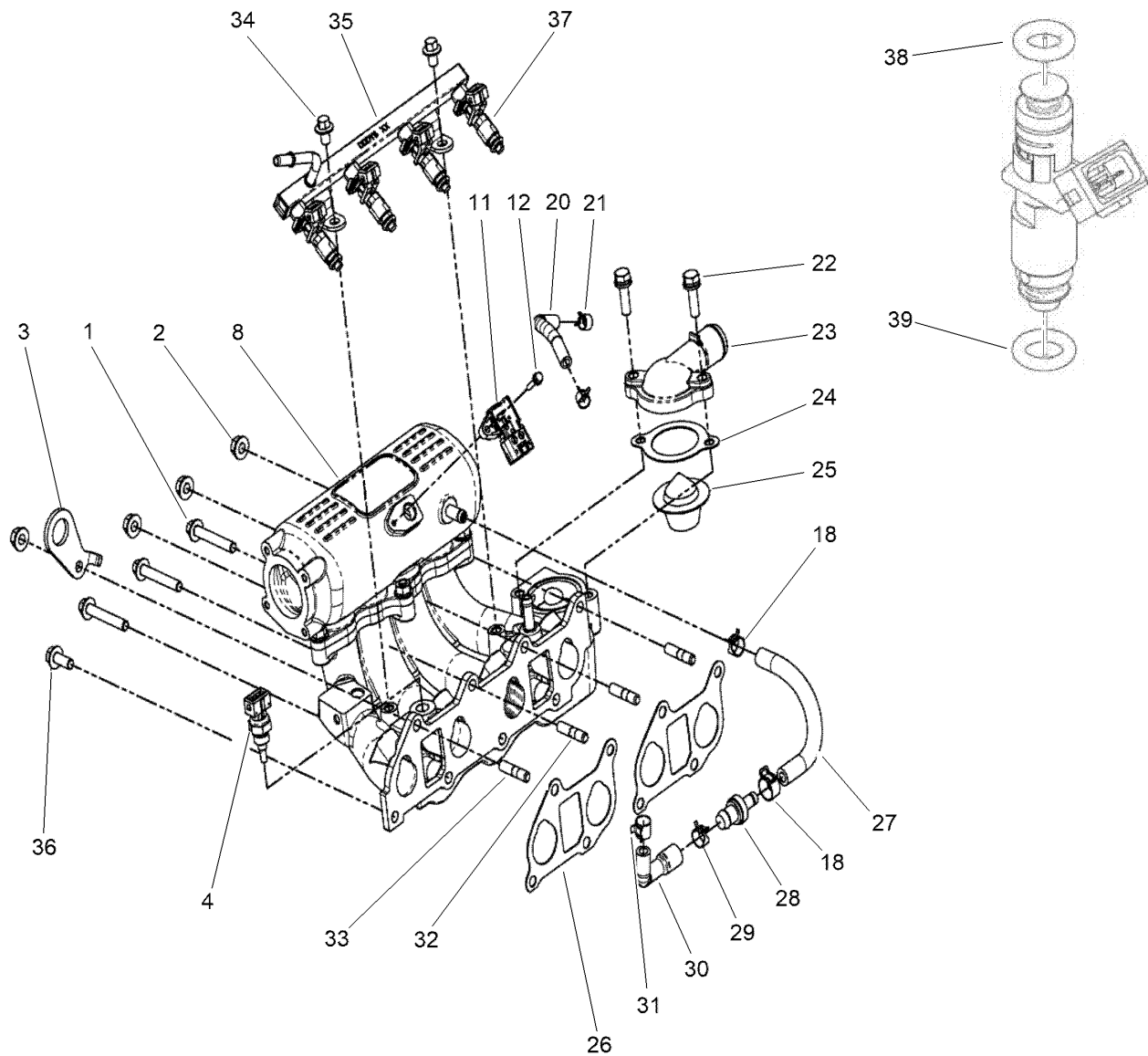
## Cylinder Head Assembly

<b>Ref.</b>	<b>Part Number</b>	<b>Qty.</b>	<b>Description</b>
6	147-2581	1	Bolt
7	147-2582	1	Sensor, Camshaft
9	147-2583	4	Bolt, Intake Manifold
11	147-2584	1	Housing, Camshaft Sensor
12	147-2585	1	Gasket, Camshaft Sensor Housing
13	147-2586	2	Pin, Locating
14	147-2587	1	Gasket, Cylinder Head
15	147-2588	4	Pin, Locating
16	147-2589	1	Head, Cylinder
17	147-2590	10	Bolt, Cylinder Head
18	147-2591	1	Gasket, Rocker Cover
19	147-2592	1	Cover, Rocker
20	147-2593	4	Spacer
21	147-2594	1	Cap, Oil
23	147-2595	4	Bolt, Rocker Cover



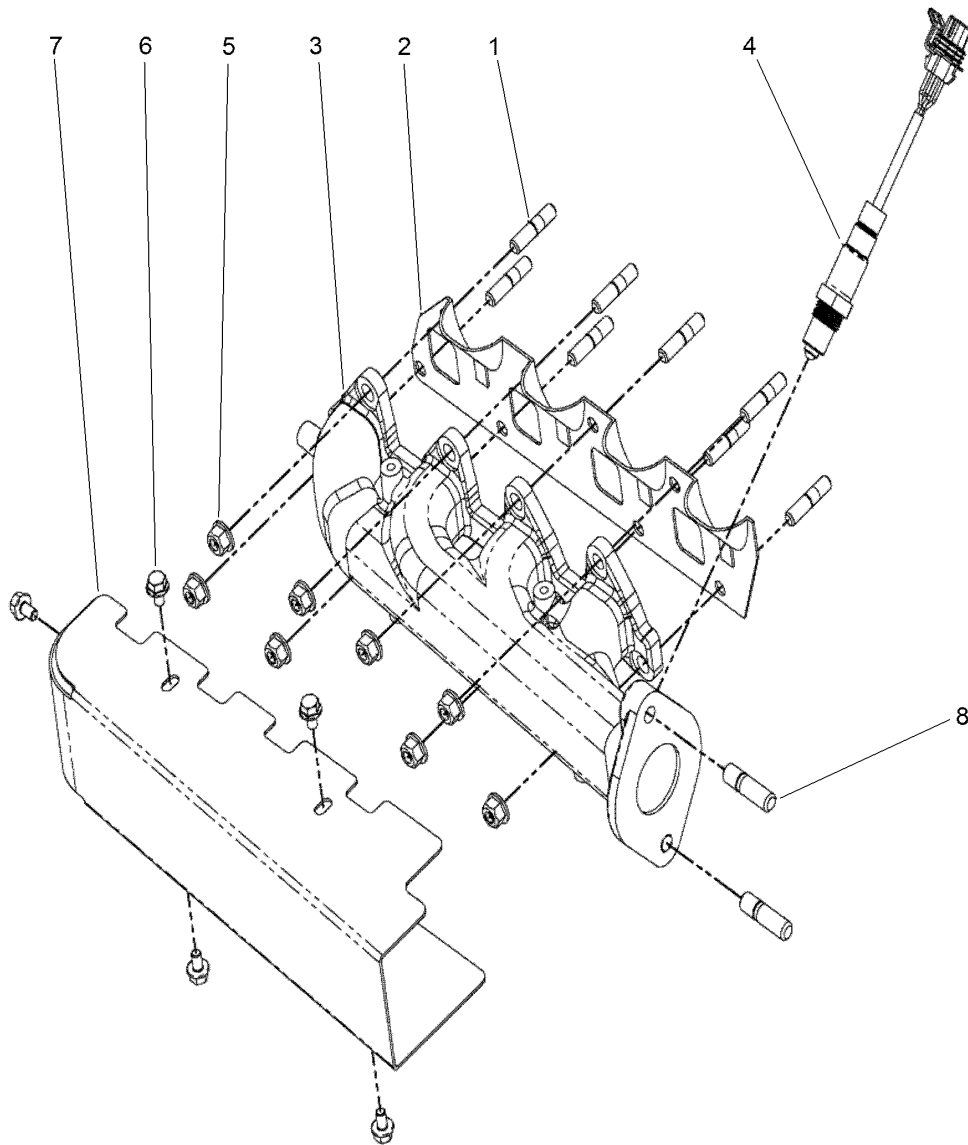
## Timing Cover Assembly

<i>Ref.</i>	<i>Part Number</i>	<i>Qty.</i>	<i>Description</i>	<i>Ref.</i>	<i>Part Number</i>	<i>Qty.</i>	<i>Description</i>
1	147-2596	6	Bolt	14	147-2609	1	Cover
2	147-2597	1	Front Cover	15	147-2610	2	Bolt, Front Cover
3	147-2598	1	Gasket, Front Cover	16	147-2611	2	Gasket, Rear Cover
4	147-2599	1	Bolt	17	147-2612	1	Bolt-Tensioner (Incls Washer)
5	147-2600	1	Belt, Timing (90 Teeth)	18	147-2613	1	Bolt, Tensioner
6	147-2601	1	Sprocket, Camshaft	19	147-2614	1	Bushing, Torsion Spring
7	147-2602	2	Bolt, Front Cover	20	147-2615	1	Spring, Torsion
8	147-2603	2	Washer	21	147-2616	1	Tensioner
9	147-2604	4	Spacer	22	147-2617	1	Sprocket, Crankshaft
10	147-2605	1	Rear Cover	23	147-2618	1	Cover
11	147-2606	2	Seal, Oil Cover	24	147-2619	1	Seal, Front Cover
12	147-2607	1	Gasket-Cover				
13	147-2608	1	Washer				



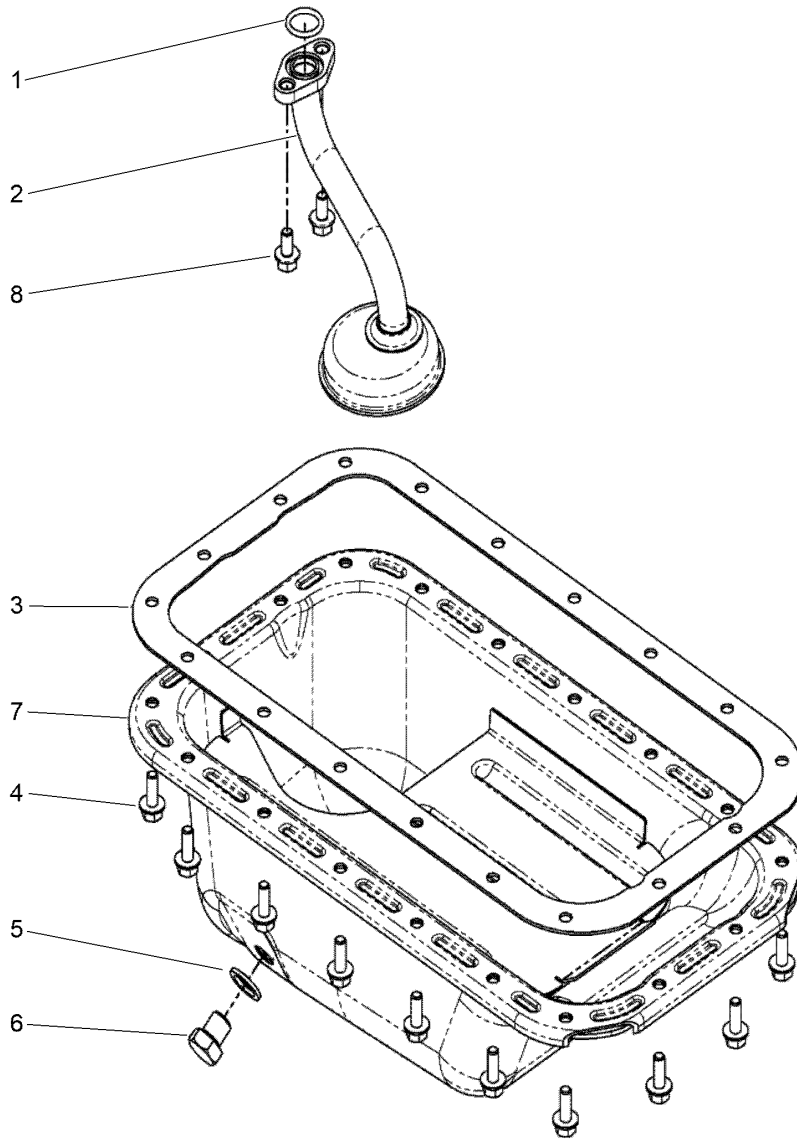
## Intake Manifold Assembly

<i>Ref.</i>	<i>Part Number</i>	<i>Qty.</i>	<i>Description</i>	<i>Ref.</i>	<i>Part Number</i>	<i>Qty.</i>	<i>Description</i>
1	147-2620	3	Bolt, Intake Manifold	26	147-2634	2	Gasket, Intake Manifold
2	147-2621	4	Nut, Intake Manifold	27	147-2635	1	Hose, Pvc Vent
3	147-2622	1	Lifting Eye	28	147-2636	1	Pcv
4	147-2623	1	Sensor, Water Temp	29	147-2637	1	Clamp
8	147-2624	1	Manifold, Intake	30	147-2638	1	Hose, Pcv
11	147-2625	1	Sensor, Air	31	147-2639	1	Clamp
12	147-2626	1	Bolt	32	147-2640	3	Stud, Intake Manifold
18	147-2627	2	Clamp	33	147-2641	1	Stud, Exhaust Manifold
20	147-2628	1	Hose, Coolant	34	147-2642	2	Bolt, Fuel Rail
21	147-2629	2	Clamp	35	147-2643	1	Rail, Fuel
22	147-2630	2	Bolt	36	147-2583	1	Bolt, Intake Manifold
23	147-2631	1	Outlet, Water	37	145-7936	4	Injector W/Clip
24	147-2632	1	Gasket, Thermostat Cover	38	163-5077	4	O-Ring
25	147-2633	1	Thermostat	39	163-5078	4	O-Ring



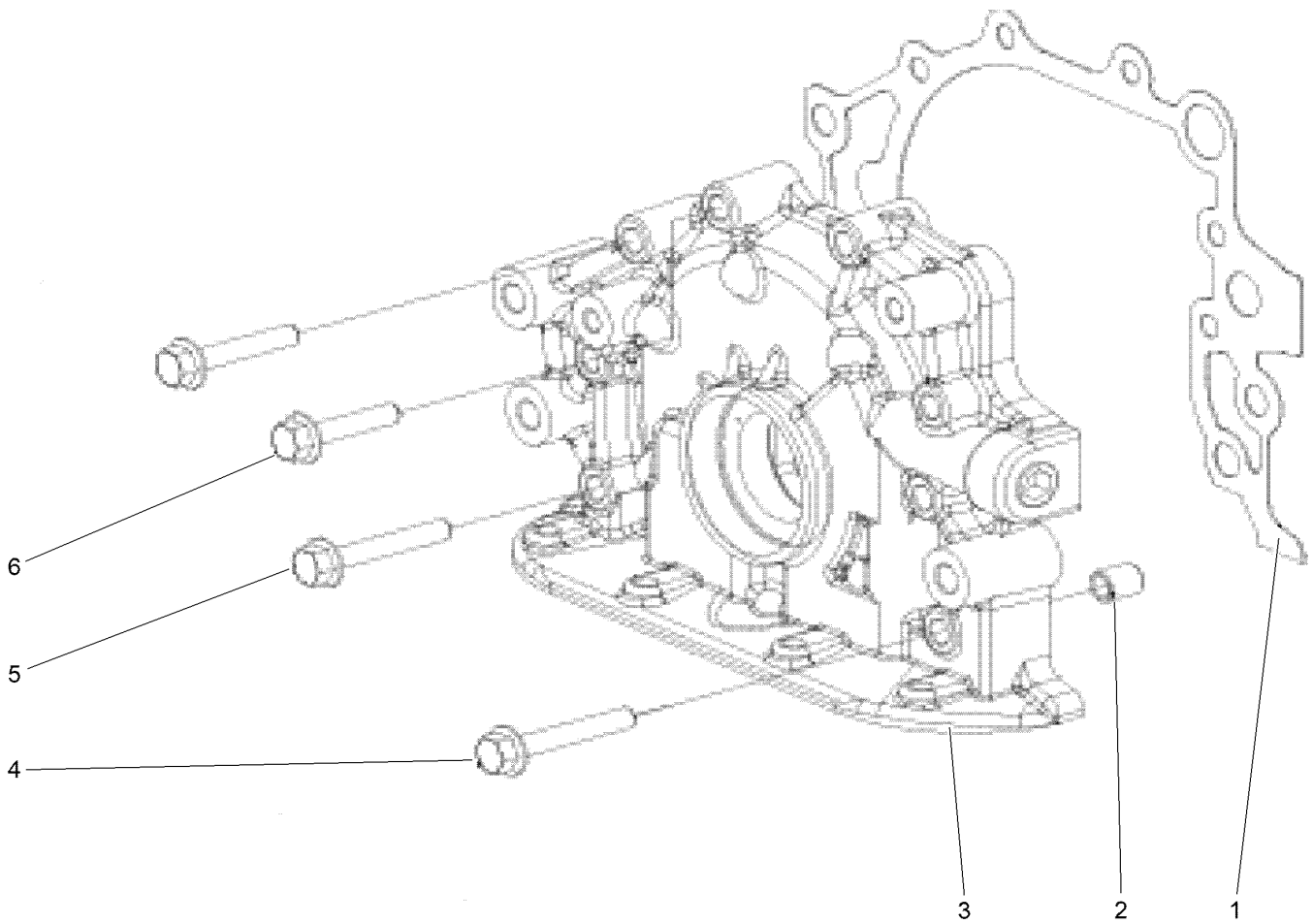
## Exhaust Manifold Assembly

<i>Ref.</i>	<i>Part Number</i>	<i>Qty.</i>	<i>Description</i>
1	147-2644	8	Stud
2	147-2645	1	Gasket, Exhaust Manifold
3	147-2646	1	Manifold, Exhaust
4	147-2647	1	Sensor, O2
5	147-2648	8	Nut
6	147-2649	5	Screw
7	147-2650	1	Shield, Exhaust
8	147-2651	2	Stud



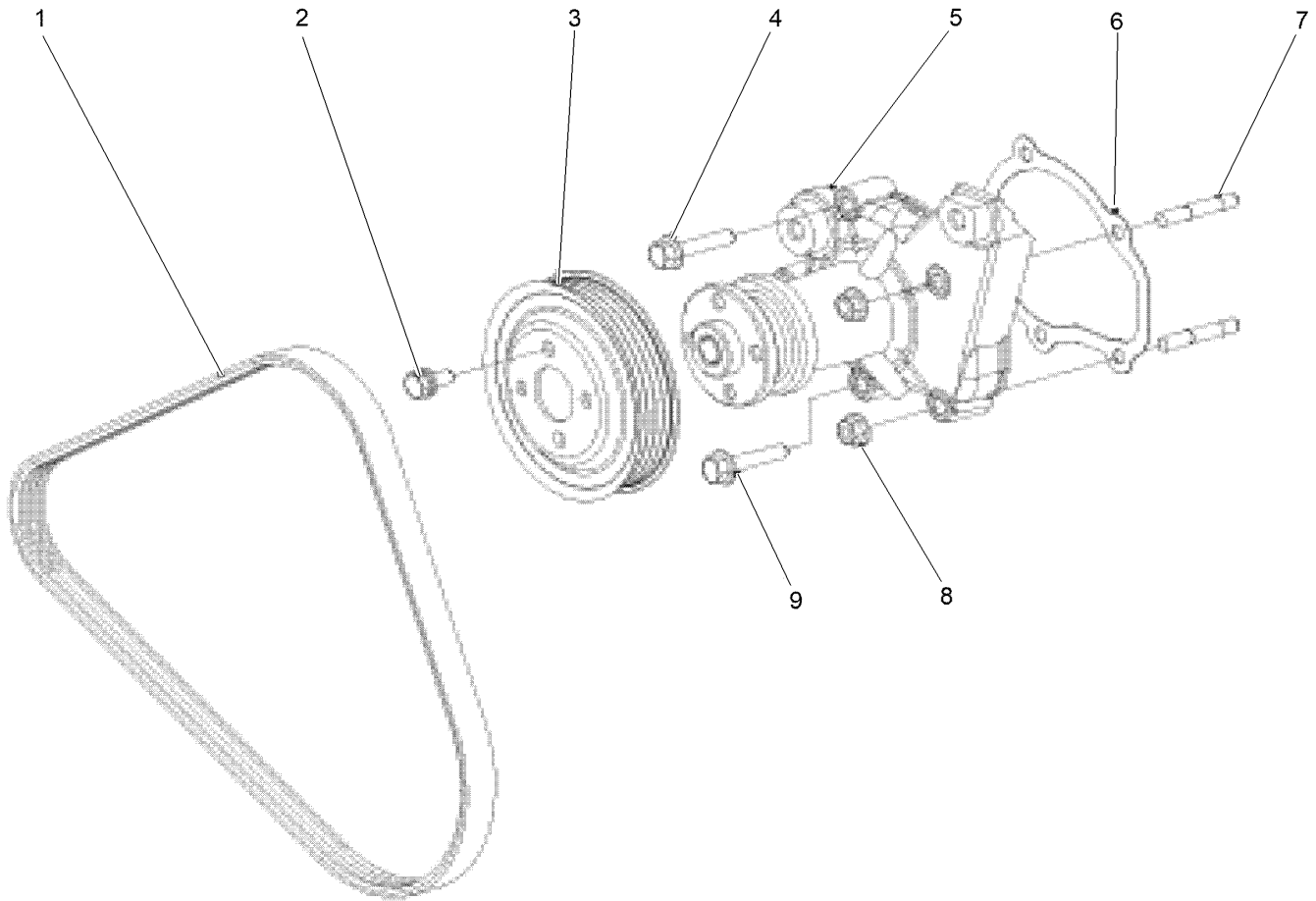
## Oil Pan Assembly

<i>Ref.</i>	<i>Part Number</i>	<i>Qty.</i>	<i>Description</i>
1	147-2652	1	Seal, Oil Strainer
2	147-2653	1	Tube, Oil Pick Up
3	147-2654	1	Gasket, Oil Pan
4	147-2569	18	Bolt
5	147-2655	1	Seal, Drain Plug
6	147-2656	1	Plug, Drain
7	147-2657	1	Pan, Oil
8	147-2658	2	Bolt



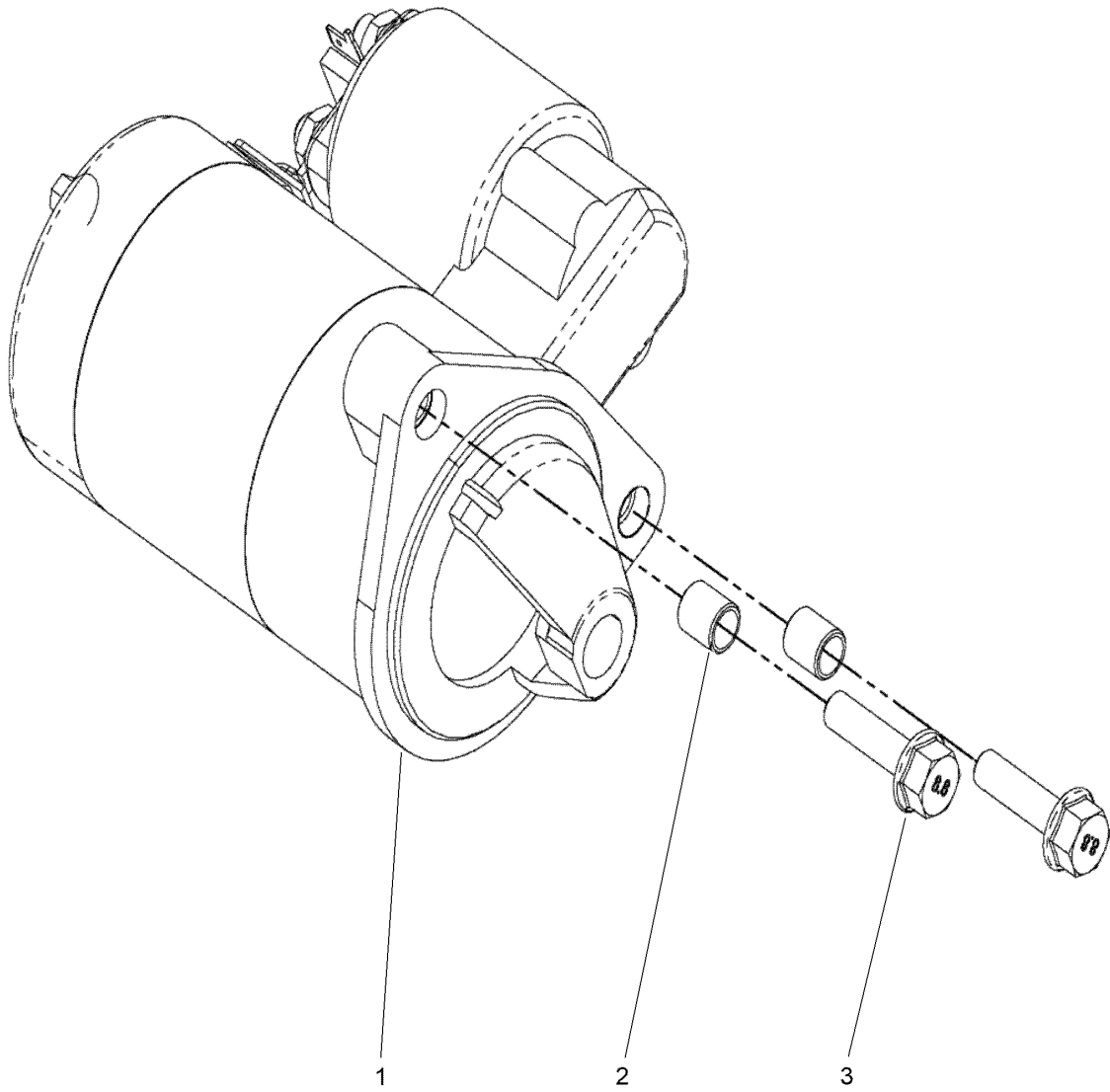
## Oil Pump Assembly

<i>Ref.</i>	<i>Part Number</i>	<i>Qty.</i>	<i>Description</i>
1	147-2659	1	Gasket, Oil Pump
2	147-2555	4	Bushing
3	147-2660	1	Pump, Oil
4	147-2661	3	Bolt
5	147-2662	3	Bolt
6	147-2663	5	Bolt, Oil Pump



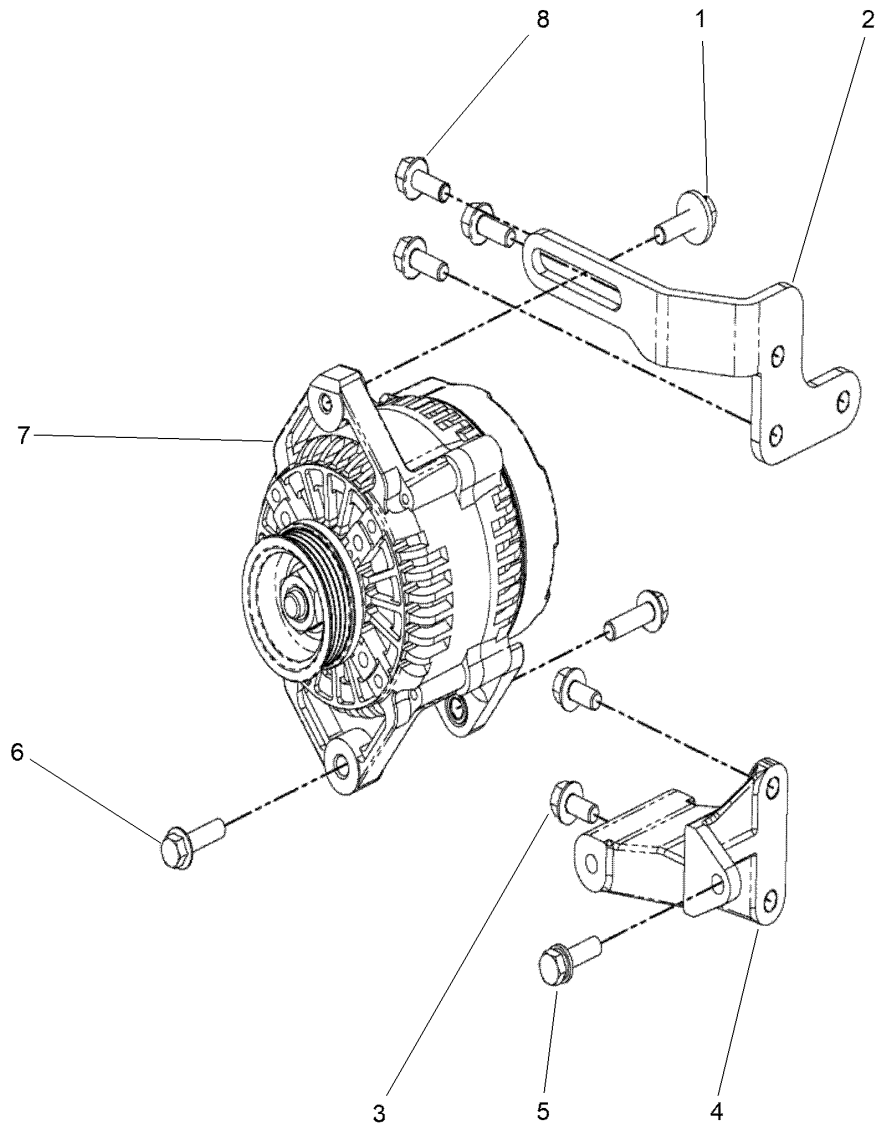
## Water Pump Assembly

<i>Ref.</i>	<i>Part Number</i>	<i>Qty.</i>	<i>Description</i>
1	147-2664	1	Belt
2	147-2665	4	Bolt
3	147-2666	1	Pulley, Water Pump
4	147-2661	1	Bolt
5	147-2667	1	Pump, Water
6	147-2668	1	Gasket, Water Pump
7	147-2669	2	Stud, Water Pump
8	147-2670	2	Nut
9	147-2662	1	Bolt



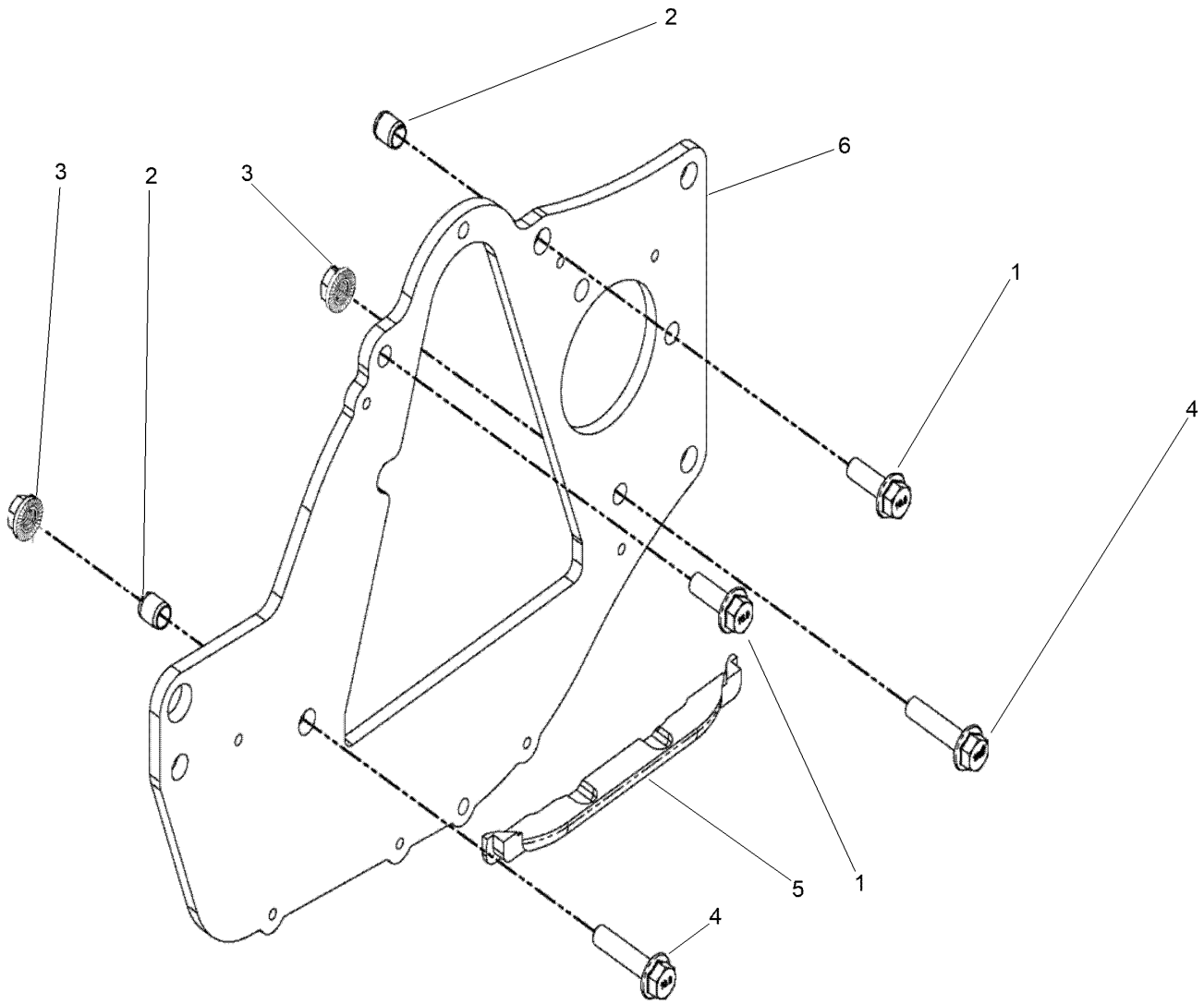
## Starter Assembly

<i>Ref.</i>	<i>Part Number</i>	<i>Qty.</i>	<i>Description</i>
1	147-2671	1	Starter
2	147-2672	2	Dowel
3	147-2673	2	Bolt



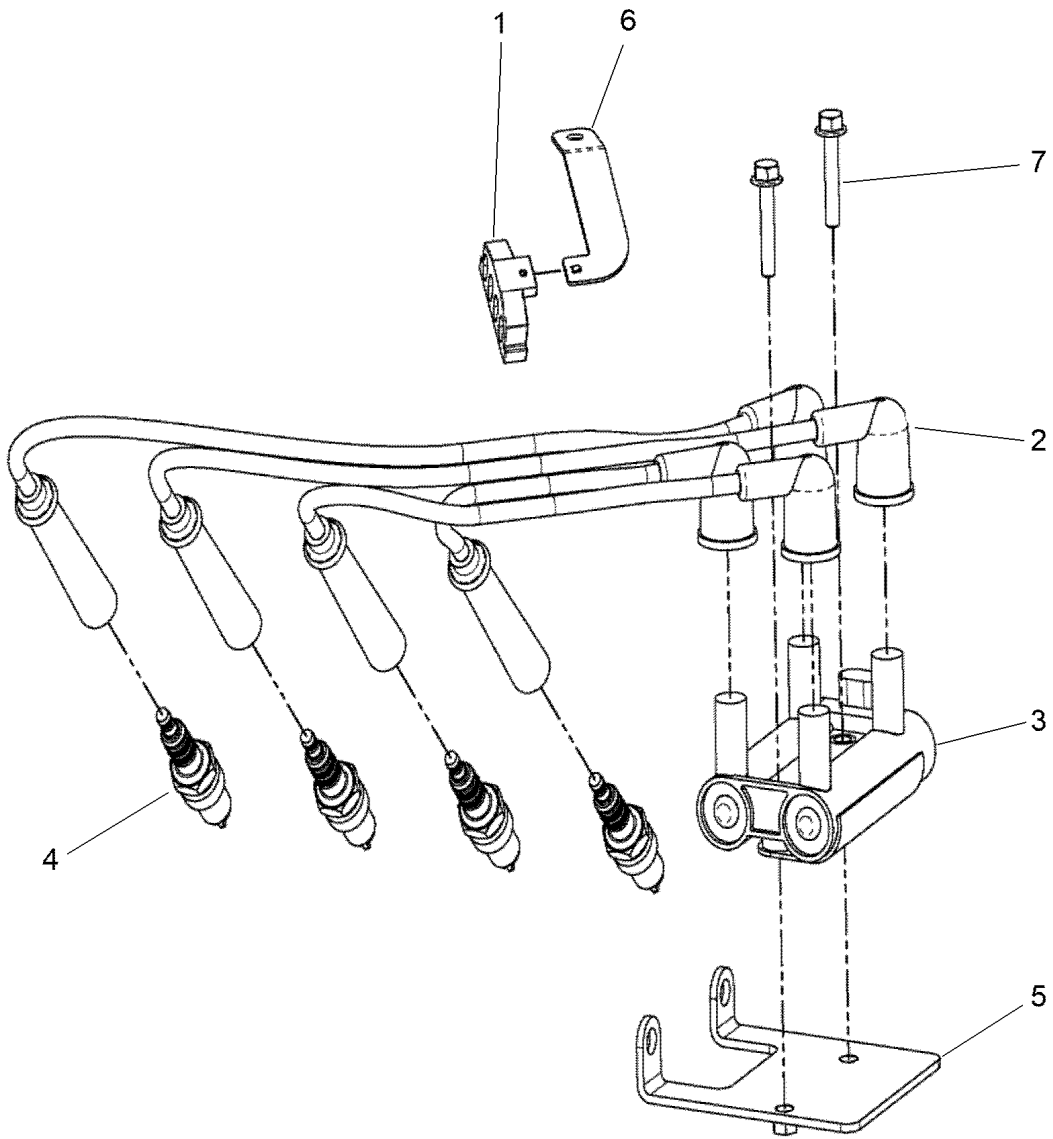
## Alternator Assembly

Ref.	Part Number	Qty.	Description
1	147-2674	1	Bolt, Alternator
2	147-2675	1	Bracket, Alternator
3	147-2676	2	Bolt, Alt Support
4	147-2677	1	Support, Alternator
5	147-2678	1	Bolt, Alt Support
6	147-2679	1	Bolt
7	147-2680	1	Alternator
8	147-2681	3	Bolt



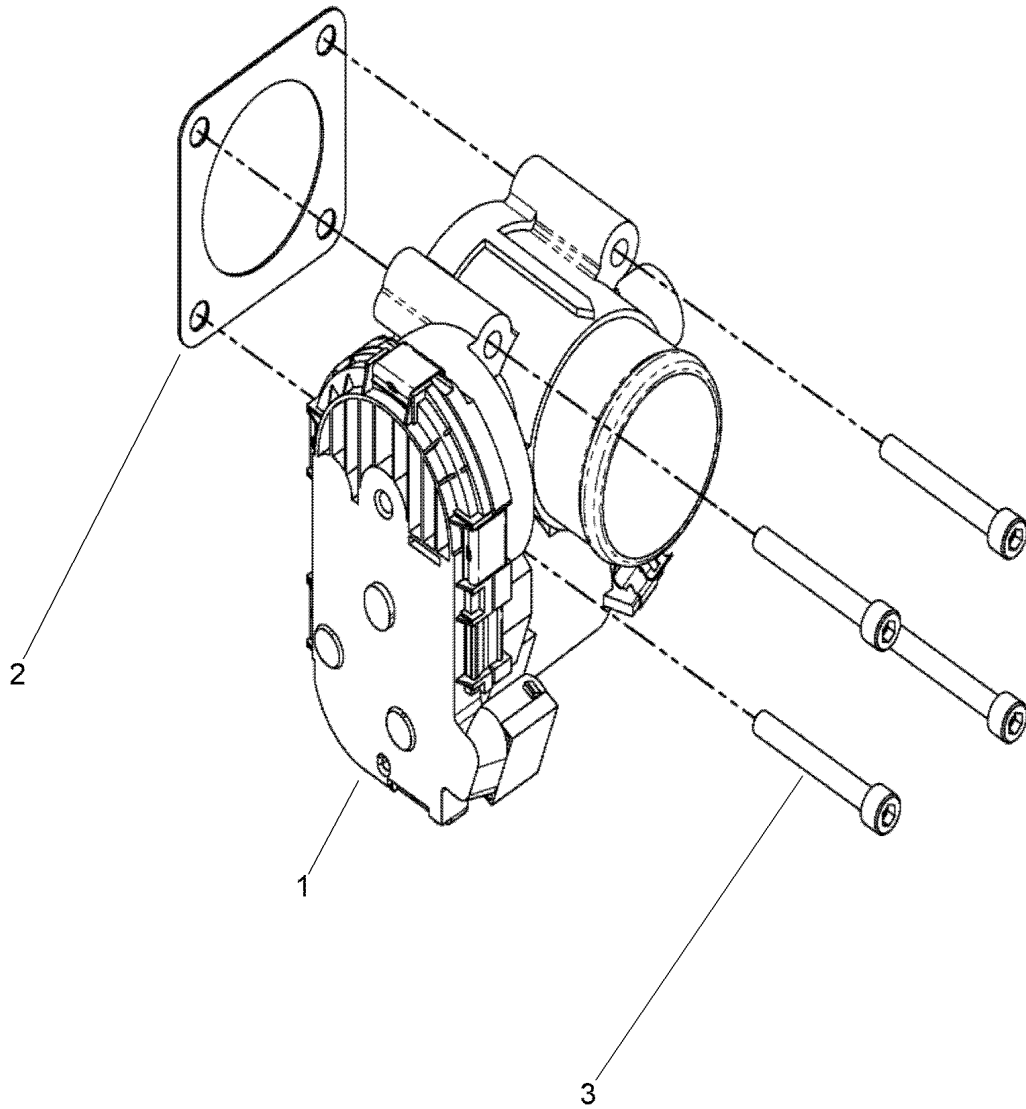
## Rear Plate Assembly

<i>Ref.</i>	<i>Part Number</i>	<i>Qty.</i>	<i>Description</i>
1	147-2682	2	Bolt
2	147-2683	2	Spacer
3	147-2684	2	Nut
4	147-2685	2	Bolt
5	145-2003	1	Seal-Plate, Rear
6	144-2201	1	Plate-Engine



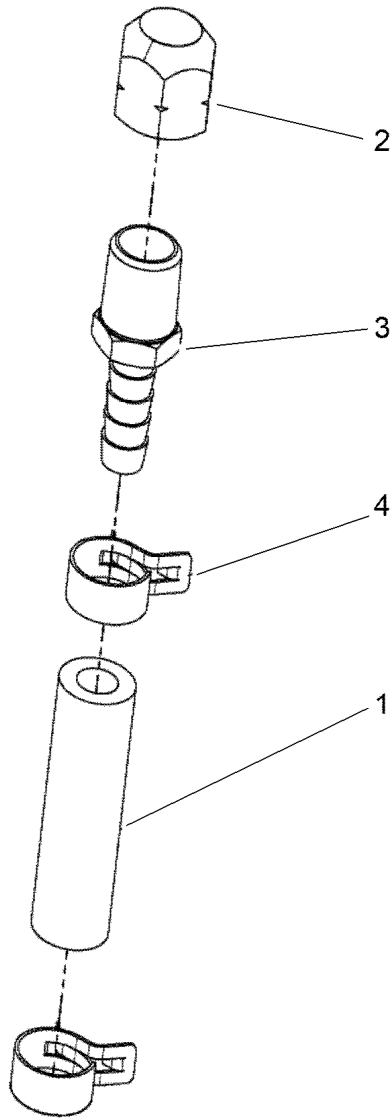
## Ignition Assembly

<i>Ref.</i>	<i>Part Number</i>	<i>Qty.</i>	<i>Description</i>
1	147-2688	1	Retainer, Wire#4
2	147-2689	1	Wires, Spark Plug
3	147-2690	1	Coil, Ignition
4	145-2128	4	Spark Plug
5	147-2691	1	Bracket, Coil Rear
6	147-2692	1	Bracket, Ignition Wires
7	147-2693	2	Bolt



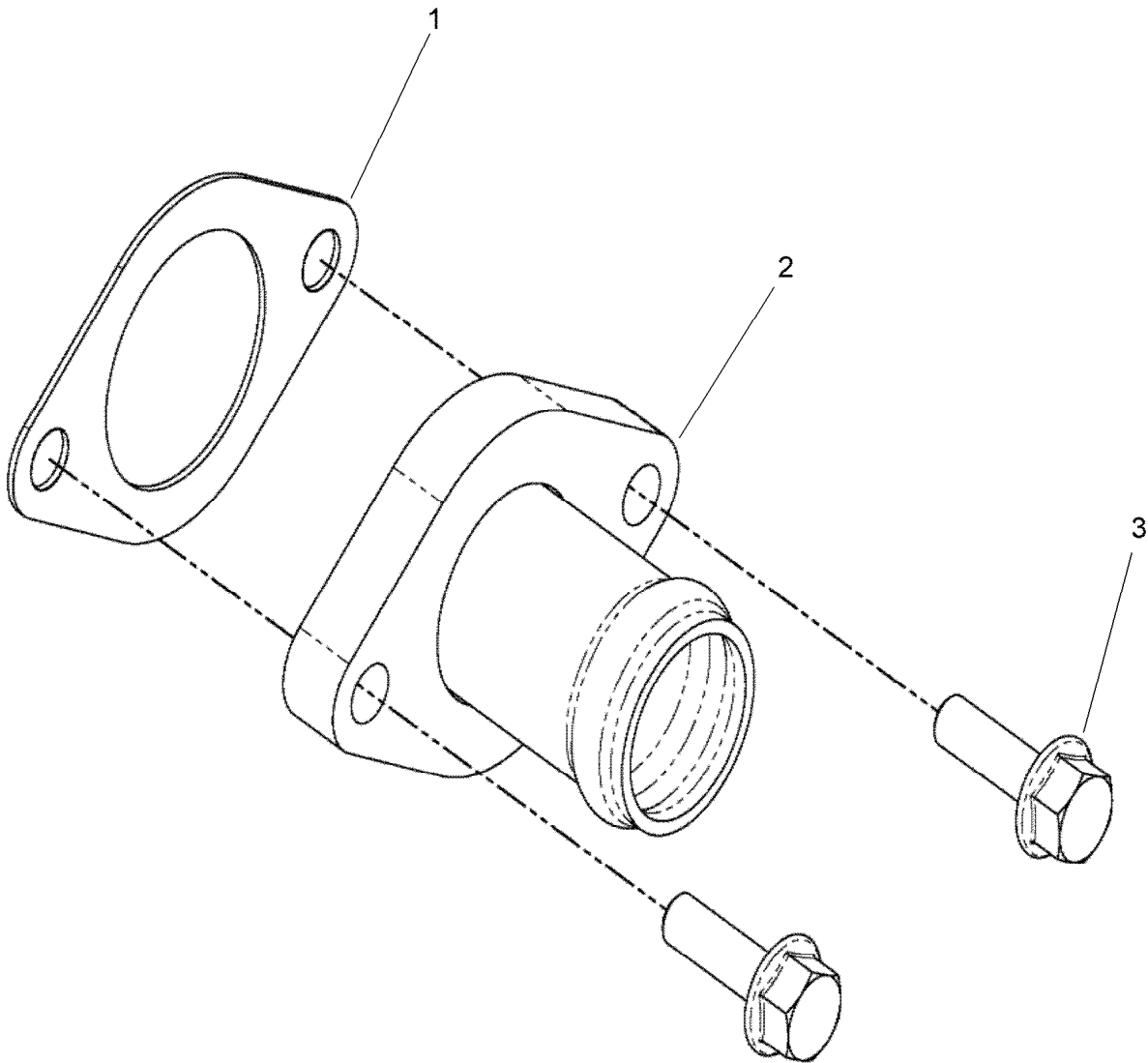
## Throttle Body Assembly

<i>Ref.</i>	<i>Part Number</i>	<i>Qty.</i>	<i>Description</i>
1	147-2694	1	Body, Throttle
2	147-2695	1	Gasket
3	147-2696	4	Screw



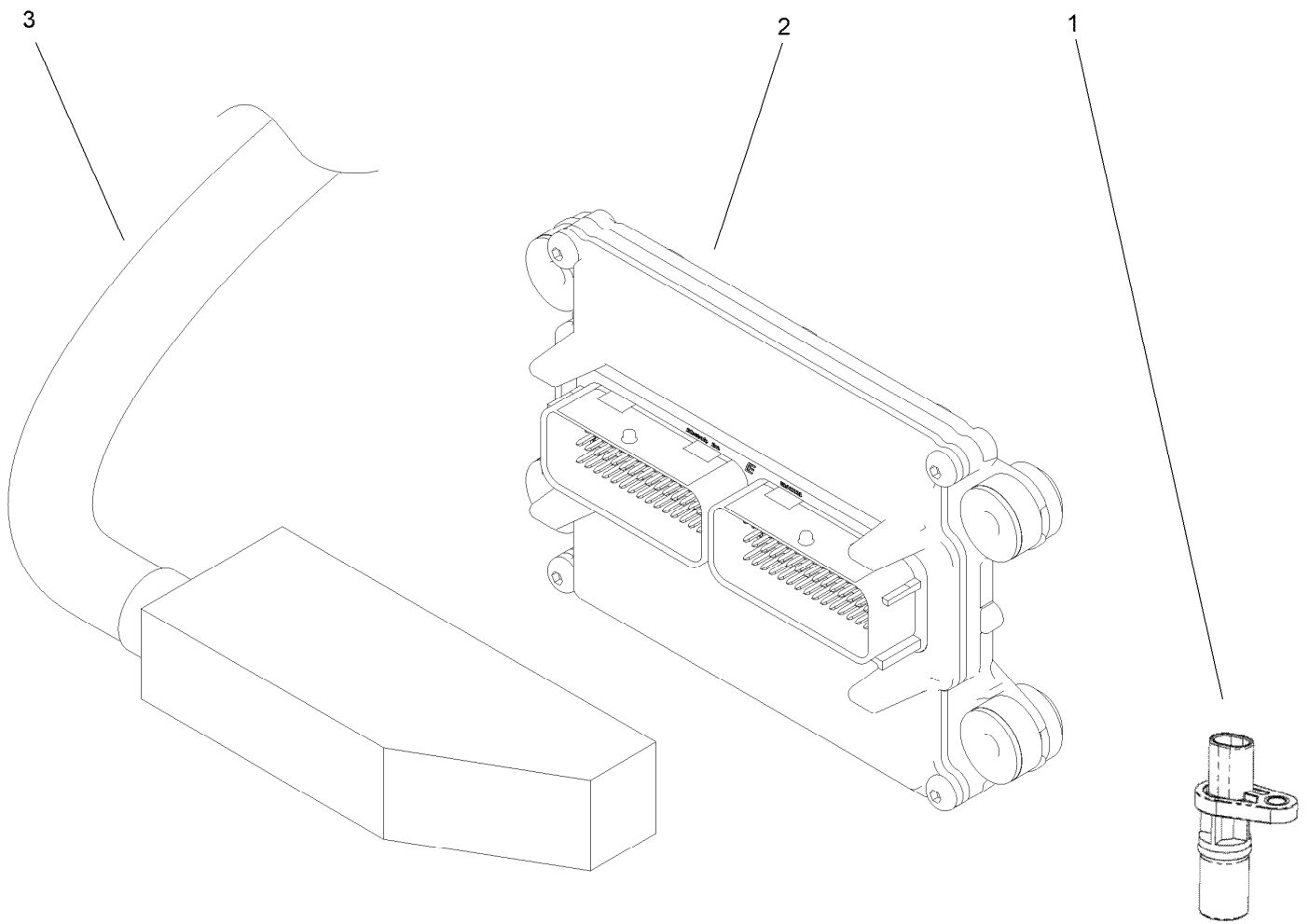
## Coolant Plug Assembly

<i>Ref.</i>	<i>Part Number</i>	<i>Qty.</i>	<i>Description</i>
1	147-2697	1	Hose, Heater (2 Inches)
2	147-2698	1	Fitting
3	147-2699	1	Fitting
4	145-2660	2	Clamp, Tension



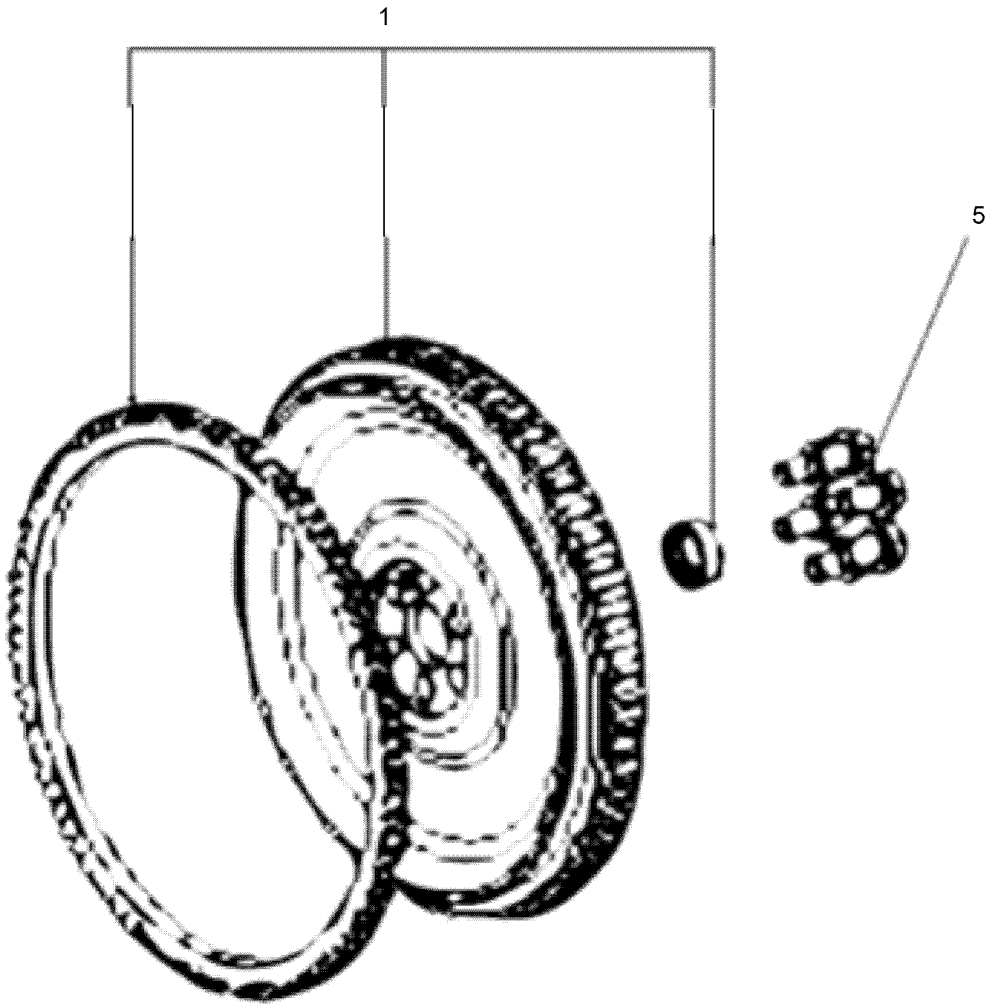
## Coolant Inlet Assembly

<i>Ref.</i>	<i>Part Number</i>	<i>Qty.</i>	<i>Description</i>
1	145-2661	1	Gasket, Water Inlet
2	145-2662	1	Inlet, Coolant Straight
3	145-2663	2	Bolt, Flange



## Electrical Assembly

<i>Ref.</i>	<i>Part Number</i>	<i>Qty.</i>	<i>Description</i>
1	145-2010	1	Sensor-Position, Crankshaft
2	144-2232	1	Ecu
3	145-2666	1	Harness



## Flywheel Assembly

<i>Ref.</i>	<i>Part Number</i>	<i>Qty.</i>	<i>Description</i>
1	163-4948	1	Flywheel Assy
5	163-4949	6	Bolt, Flywheel

# Attachments and Accessories

## For 08100TC — Workman UTX 2 Passenger Utility Vehicle

<b>Product Name</b>	<b>Model/Part</b>
Canopy-Standard .....	08110
Glass Windshield and Wiper .....	08112
Polycarbonate Windshield .....	08113
Polycarbonate Doors - Standard.....	08114
Polycarbonate Rear Windshield .....	08116
Overhead Console and Wire Harness .....	08130
Work Lights.....	08131
Beacon .....	08132
Electric Bed Lift.....	08134
Supervisor Key .....	08136
Side View Mirror Kit .....	08140
Rear View Mirror Kit.....	08141
Center Bed Racking, Workman UTX/MDX .....	08142
Under Seat Storage .....	08143
27in Alloy Wheels and Tires.....	08144
Draw Bar.....	08146
Side Bed Racking, Workman UTX/MDX/GTX.....	08148
Reverse Alarm Kit.....	131-8549
Wrench-Adjuster, Spring.....	139-4678
Puller-Clutch, UTX.....	140-4672
Universal Wireless Hourmeter Kit .....	144-2436
Universal 12V Power Point Kit .....	144-2438
Spark Arrester Kit .....	144-2443
Toro Premium Synthetic Transaxle Fluid.....	145-2048

**Notes:**



**Count on it.**