



**Count on it.**

**Parts Catalog**

**Brush Cutter  
Walk Behind**

Model No. 33521—Serial No. 40000000 and Up



# Ordering Replacement Parts

To order replacement parts, please supply the part number, the quantity, and the description of each part desired.

## Understanding Reference Numbers

Each identified part in an illustration has a reference number. The reference number for a part also appears in the parts list, along with other information about the part.

This catalog uses two special reference number formats, one to indicate parts in a service assembly and another to indicate the quantity of a given part in an illustration.

## Service Assembly Reference Numbers

Parts in service assemblies have reference numbers in the form a:b. The a represents the reference number of the entire service assembly and the b represents a sequential number unique to each part within the service assembly.

For example, a wheel assembly might be identified by reference number 6, the tire by 6:1, the valve by 6:2, and the wheel by 6:3. When you order the assembly identified by reference number 6, you receive all parts identified by reference numbers 6:1, 6:2, and 6:3. However, you may also order any part individually. Reference numbers of this type appear in illustration and in parts lists.

## Reference Numbers Indicating Quantity

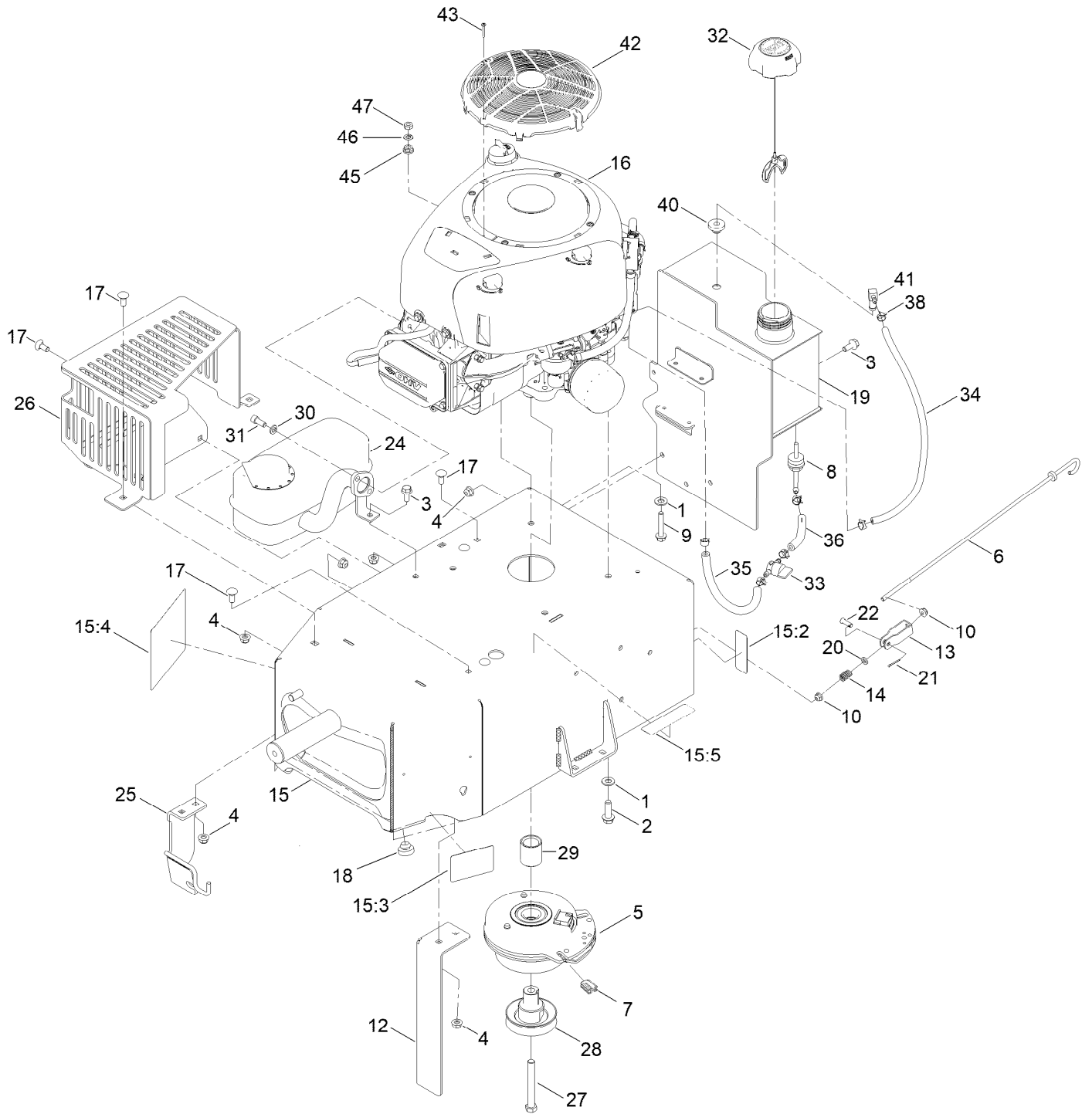
In an illustration, if a reference number indicates more than one part, the reference number has the form nX y. The n represents the quantity of the part, the X is the multiplication symbol, and the y represents the reference number.

For example, in an illustration, the reference number 2X 37 means that two of the parts identified by reference number 37 are indicated.

# Contents

Engine and Frame Assembly .....	4
Drive Assembly .....	6
Transmission Assembly No. 121-1908 .....	8
Deck Assembly .....	10
Handle Assembly .....	12
Electrical Assembly .....	14
Attachments and Accessories .....	16

# Engine and Frame Assembly



## Engine and Frame Assembly (continued)

<i>Ref.</i>	<i>Part Number</i>	<i>Qty.</i>	<i>Description</i>	<i>Ref.</i>	<i>Part Number</i>	<i>Qty.</i>	<i>Description</i>
1	3256-24	4	Washer-Plain	21	3272-4	1	Pin-Cotter
2	32144-109	3	Screw-Thd	22	1-808265	1	Pin-Clevis
3	3234-47	4	Screw-HHF	24	147-7033	1	Muffler, Brush Cutter
4	104-8300	12	Nut-HF, NI	25	133-9711-01	1	Guide-Belt/Cable
5	136-1425	1	Clutch-Electric	26	161-6861-03	1	Guard-Muffler [black]
6	161-2364	1	Rod-Brake	27	3212-14	1	Screw-HH
7	120-2217	1	Isolator-Clutch	28	136-1424	1	Pulley-Hydro
8	103-2605	1	Fitting-Fuel, Bulkhead	29	161-2361	1	Spacer, Clutch
9	94-5780	1	Screw-HWH	30	3253-4	2	Washer-Lock
10	104-7201	2	Nut-HF, NI	31	3274-10	2	Screw-HSH
12	132-4060-01	1	Bracket-Torque	32	137-4127	1	Cap-Fuel
13	39-3080	1	Clevis	33	1-603770	1	Valve-Fuel
14	63-4220	1	Spring-Compression	34	115-7872	1	Hose-Fuel
15	161-2369	1	Frame ASM	35	109-0306	1	Hose-Fuel
15:2	115-9625	1	Decal-Brake, Parking	36	144-5368	1	Hose-Fuel
15:3	136-4646	1	Decal-Bypass	38	2412-98	6	Clamp-Hose
15:4	161-6879	1	Decal-Service	40	46-6560	1	Bushing
15:5	133-8062	1	Decal-Spark Arrestor	41	104-5228	1	Fitting-Elbow, 90 DEG
16		1	Engine-Briggs & Stratton Professional ●■	42	145-4669	1	Cover-Fan
17	3230-1	8	Bolt-CARR	43	145-4670	1	Screw-Fan
18	104-1412	2	Bumper-Rubber	45	137-3039	1	Nut-HF
19	147-3271	1	Tank-Fuel	46	136-8682	1	Washer-Lock
20	55-9620	1	Spacer-Plate, Pivot	47	120-9638	1	Nut-Jam

● Not serviced separately

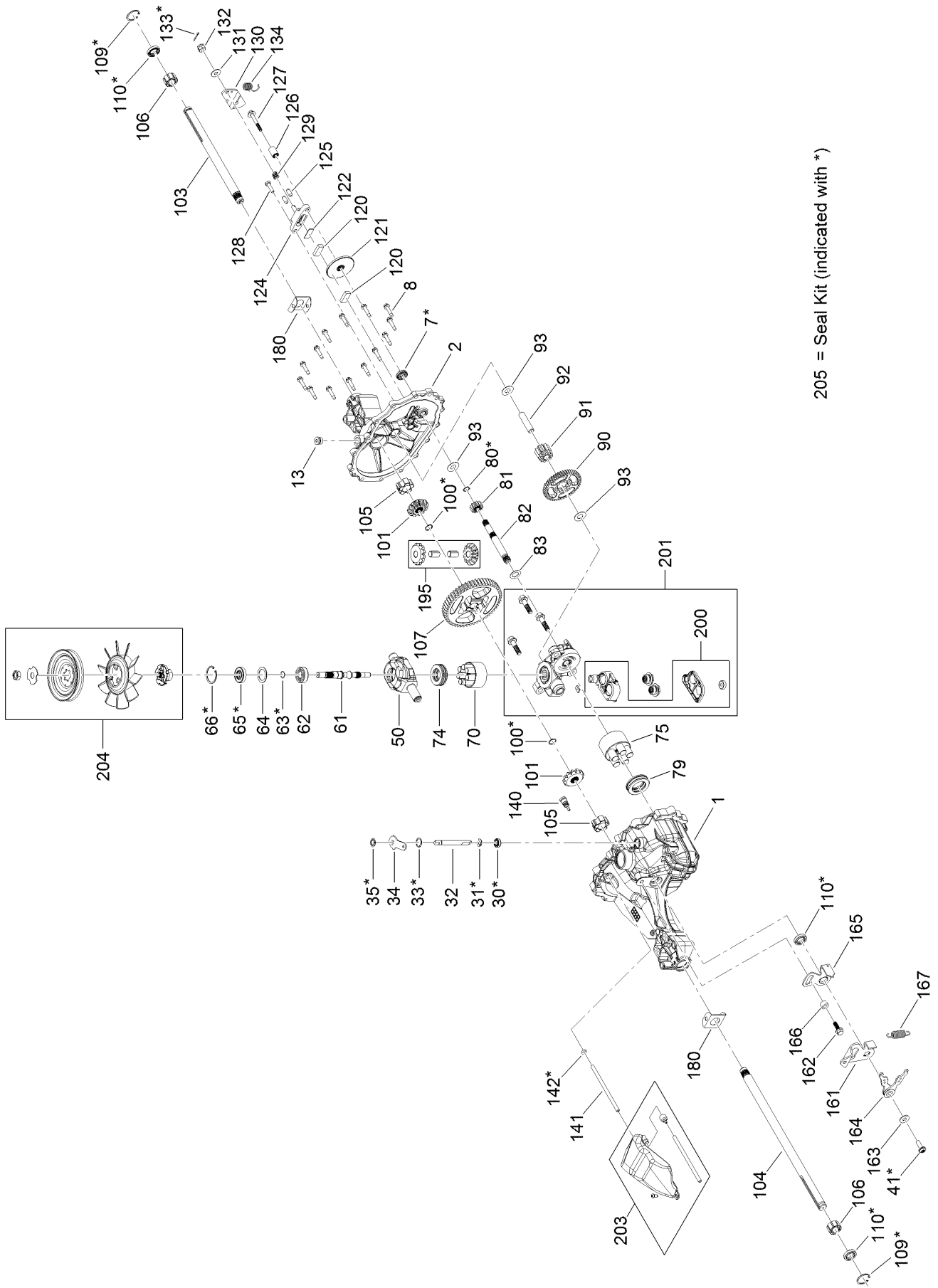
■ Obtain parts from [www.briggsandstratton.com](http://www.briggsandstratton.com)



## Drive Assembly (continued)

<i>Ref.</i>	<i>Part Number</i>	<i>Qty.</i>	<i>Description</i>	<i>Ref.</i>	<i>Part Number</i>	<i>Qty.</i>	<i>Description</i>
1	121-1908	1	Transaxle ASM	14	21-1830	1	Spring-Extension
2	322-13	6	Screw-HH	15	132-4079-03	1	Mount-Arm, Tension
3	104-8300	8	Nut-HF, NI	16	132-4061-03	1	Arm-Tension, Belt
4	132-7001	2	Tire ASM	17	114-0239	1	Screw-HSH
5	132-4062	4	Spacer	18	62-4530	1	Pulley
6	92-0049	2	Key-Square	19	3231-26	1	Screw-CARR
7	3256-22	1	Washer-Flat	20	104-8301	1	Nut-HF, NI
8	67-9410	2	Washer	21	707081	1	V-Belt
9	32151-48	2	E-Ring	22	322-10	1	Screw-HH
10	132-7048-03	1	Bracket-Cable	23	133-9715	1	Lever-Valve, Tow
11	3230-23	1	Bolt-CARR	24	3296-47	1	Nut-Lock,NI
12	132-4097	2	Bushing	25	3272-4	1	Pin-Cotter
13	3256-23	7	Washer-Plain				

# Transmission Assembly No. 121-1908



205 = Seal Kit (indicated with \*)

# Transmission Assembly No. 121-1908 (continued)

<i>Ref.</i>	<i>Part Number</i>	<i>Qty.</i>	<i>Description</i>	<i>Ref.</i>	<i>Part Number</i>	<i>Qty.</i>	<i>Description</i>
1	115-8313	1	Main Housing Kit	105	115-8314	2	Bushing-Inboard
2	119-5538	1	Housing Side Kit	106	115-8304	2	Bushing-Outboard
7	115-8335	1	Seal-Lip	107	115-8325	1	Gear-53T, Bull
8	117-5359	14	Screw-HHF	109	115-8303	2	Ring-Retaining, Internal
10	104-2147	1	Sealant, Silicone - Non-Flammable ●	110	121-0970	3	Seal-Lip
13	104-2189	1	Plug-Thread, Straight	120	104-2171	2	Puck-Brake
30	106-8676	1	Seal-Lip	121	115-8337	1	Rotor-Brake
31	106-8677	1	Ring-Retaining, External	122	104-2181	1	Puck-Plate
32	115-8312	1	Rod-Bypass, Actuator	124	104-5343	1	Yoke-Brake
33	106-8679	1	Ring-Retaining, Internal	125	104-2176	2	Pin-Brake
34	115-8311	1	Arm-Bypass	126	104-2180	1	Spacer
35	106-8681	1	Ring-Retaining, External	127	104-5345	1	Screw-HF
41	107-2488	1	Screw	128	115-8339	1	Screw-HHCS
50	115-8319	1	Trunnion-Plate, Swash	129	104-2188	1	Spring-Brake, Anti Drag
61	115-8317	1	Shaft-Input	130	112-6195	1	Brake-Arm
62	94-1904	1	Bearing-Shaft, Ball	131	114-8491	1	Washer
63	119-5531	1	Ring-Retaining, Wire	132	119-5543	1	Nut-Castle
64	104-2104	1	Spacer	133	3272-7	1	Pin-Cotter
65	119-5532	1	Seal-Lip	134	104-2184	1	Spring-Arm, Brake (Bias)
66	119-5533	1	Ring-Retaining	140	104-5349	1	Fitting-SAE
70	121-0967	1	Piston Block ASM	141	115-8302	1	Hose
74	115-8320	1	Bearing-Thrust, Ball	142	104-5361	1	O-Ring
75	103-2666	1	Cylinder Block Kit	161	115-8308	1	Arm-Control, Return
79	94-6922	1	Bearing-Thrust	162	104-5312	1	Screw-HF
80	115-8331	1	Ring-Retaining, External	163	114-8491	1	Washer
81	119-5539	1	Gear-Pinion	164	115-8306	1	Bi Directional Return Kit
82	115-8329	1	Shaft-Motor	165	115-8310	1	Arm-Neutral
83	115-8328	1	Washer	166	115-8309	1	Bushing
90	119-5540	1	Gear	167	115-8307	1	Spring-Extension
91	115-8333	1	Gear-Jackshaft, 11T	180	119-5527	2	Spring Clip-Housing Thrust
92	115-8334	1	Pin-Jackshaft	195	137-0656	1	Miter Gears W/Pins Kit
93	94-1933	3	Washer	200	115-8323	1	Filter Kit
100	104-5328	2	Ring-Retaining, Spiral	201	137-0657	1	Centersection W/Filter Kit
101	115-8315	2	Gear-Bevel, 12T (Spline, ID)	203	115-8301	1	Expansion Tank Kit
103	121-0968	1	Shaft-Axle, Keyed	204	137-0658	1	Fan/Pulley Kit
104	121-0969	1	Shaft-Axle, Keyed	205	115-8316	1	Seal Kit

● Not illustrated

# Deck Assembly



## Deck Assembly (continued)

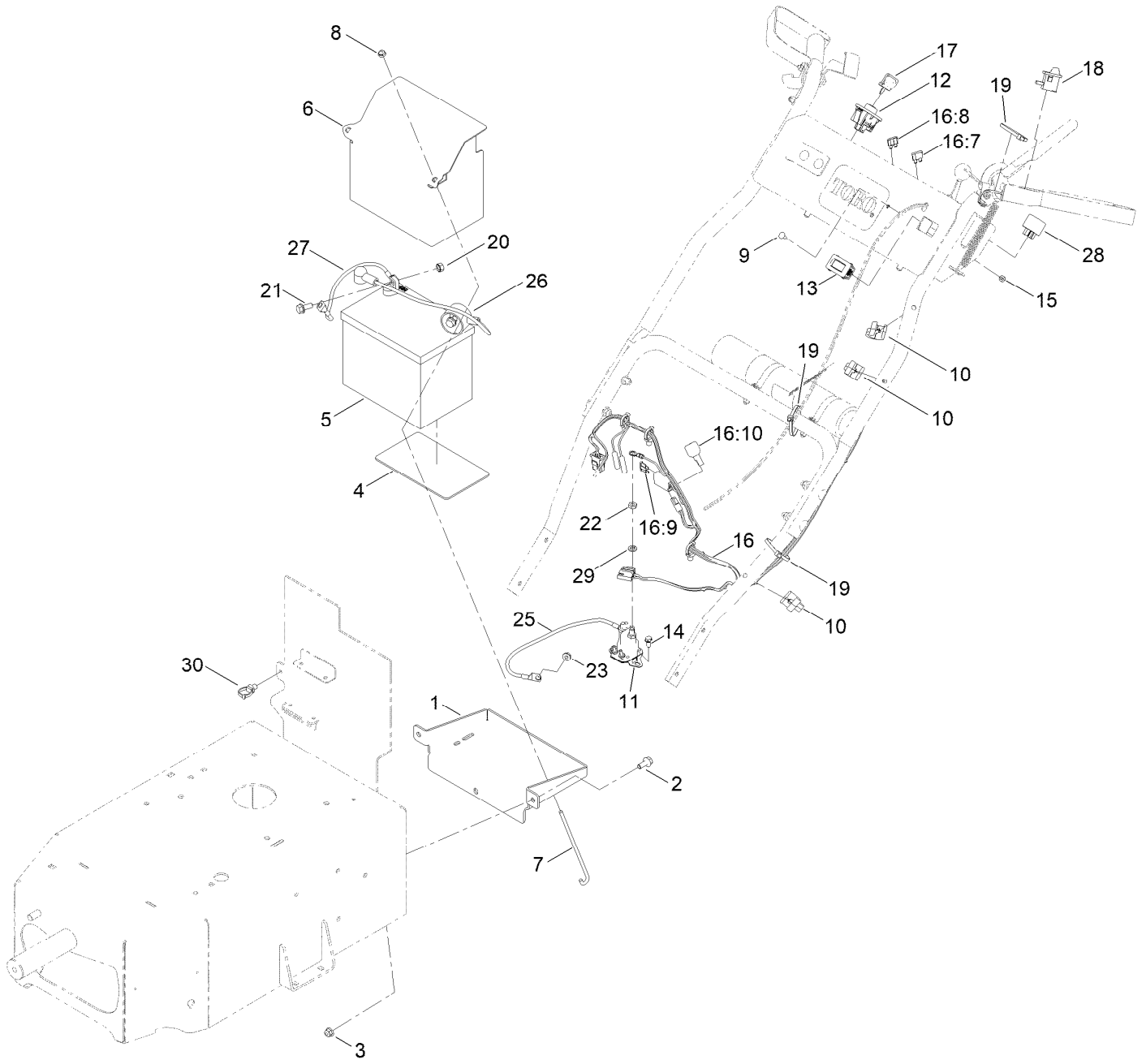
<i>Ref.</i>	<i>Part Number</i>	<i>Qty.</i>	<i>Description</i>	<i>Ref.</i>	<i>Part Number</i>	<i>Qty.</i>	<i>Description</i>
1	136-4637	1	Spindle ASM	29	13-0480	1	Spring
1:2	93-7814	1	Decal-Danger	30	133-9700	1	Flap-Deck
2	94-2413	3	Nut-U	31	132-4055	1	Washer-Flat
3	132-4088	2	Bearing-Spindle	32	132-7047	1	Belt-Deck
4	132-7040	1	Spindle Cup ASM	33	136-4627	1	Guard-Belt
5	132-7006	1	Spacer-Bearing	33:2	132-4011	1	Decal
6	117-2749	1	Nut-Push	34	104-8301	13	Nut-HF, NI
7	51-4060	1	Screw-Blade	35	104-3546	1	Pulley-Driven, Low
8	136-4599	1	Flap-Rubber	36	120-5576	1	Washer-Hardened
9	104-8300	15	Nut-HF, NI	37	3296-60	1	Nut-Lock, NI
10	132-4066	1	Blade-Flail	40	3296-29	12	Nut-Lock, NI
11	132-4064-03	2	Arm-Return	42	130-2356	4	Screw-Handle, Lock
13	3234-11	1	Screw-HHF	44	112-6950	6	Screw-CARR
15	132-4091	2	Bushing	45	136-4609	1	Cap-Spindle
16	3230-22	15	Screw-CARR	46	132-4067	2	End-Blade
17	3231-1	12	Screw-CARR	47	132-4069	2	Bolt
19	132-4089	2	Bushing	48	131-0703	2	Nut-HHF
20	67-9410	1	Washer	51	3234-5	1	Screw-HHF
21	32120-93	1	Ring-Retaining	52	3234-36	2	Screw-HHF
22	116-4665	1	Pulley-Idler, Flat	53	132-7008-03	2	Bar-Skid
23	1-633456	1	Bushing, Idler	54	132-7009-03	1	Guard-Brush
24	108-3742	1	Screw-HHF	55	132-7033-03	1	Arm-Tension
25	106-2177	1	Spring-Extension	57	132-7044-03	1	Frame-Pivot
26	136-4625	1	Deck ASM	58	133-9709-03	3	Plate-Flap, Deck
26:2	130-9670	2	Decal-Warning, Blade	59	136-1421-01	1	Guard-Flap, Rubber
27	125-1736	1	Washer-Belleville				



## Handle Assembly (continued)

<i>Ref.</i>	<i>Part Number</i>	<i>Qty.</i>	<i>Description</i>	<i>Ref.</i>	<i>Part Number</i>	<i>Qty.</i>	<i>Description</i>
1	136-4624	1	Handle ASM	21	132-7029-03	1	Handle-Clutch
1:2	105-8278	1	Decal	22	88-7200	2	Washer-Flat
1:3	132-4005	1	Decal-Operation, Safety	23	136-4633-03	1	Guard-Knuckle
2	132-4085	1	Spring	25	136-4596	1	Lockout
3	136-1433	2	Grip-Foam	26	136-4595	1	Spacer
4	95-3805	1	Spring	27	92-2260	4	Screw-Handle
5	32112-11	1	Nut-Push	28	132-4095	1	Cable-Traction
6	161-6867	1	Cable-Throttle	29	136-1430-03	1	Guard- Knuckle
7	25-8640	2	Screw-HH	30	3234-47	8	Screw-HHF
8	32128-17	3	Nut-Lock, Flange	31	132-4049-03	1	Handle-Traction
10	137-0550	3	Bolt-Shoulder	32	133-9714-03	1	Handle-Lower
11	132-7023-03	1	Mount-Bell Crank	33	161-2370-03	1	Brace-Handle [black]
12	3230-1	2	Bolt-CARR	34	161-2372-03	1	Brace-Handle [black]
13	104-8300	15	Nut-HF, NI	35	321-9	2	Screw-HH
14	132-7024-03	1	Bell Crank ASM	36	104-7201	2	Nut-HF, NI
15	132-4097	2	Bushing	38	104-7050	1	Tube-Manual
16	126-0277	1	Screw-Shoulder	39	104-7048	1	Cap-Housing
17	100-8559	4	Ball Joint ASM	40	2412-120	2	Clamp-R
18	3296-3	4	Nut-Lock	41	32105-1	2	Screw-SHH
19	132-4083	1	Link-Control	42	3296-2	2	Nut-Lock, NI
20	3219-14	4	Nut-Hex	43	164-1475	1	Knob, Throttle Cable

# Electrical Assembly



## Electrical Assembly (continued)

<i>Ref.</i>	<i>Part Number</i>	<i>Qty.</i>	<i>Description</i>	<i>Ref.</i>	<i>Part Number</i>	<i>Qty.</i>	<i>Description</i>
1	136-1401-01	1	Tray-Battery	16:8	109102	1	Fuse-Blade, 25 Amp
2	3234-47	3	Screw-HHF	16:9	109103	1	Fuse-Blade, 30 Amp
3	104-8300	3	Nut-HF, NI	16:10	100-4918	2	Diode
4	62-4300	1	Pad-Skid, Anti	17	63-8360	1	Key-Ignition
5	105-1692	1	Battery- Dry, 12V, 230 CCA	18	133-4654	1	Switch-Plunger
6	136-1408-01	1	Tray-Battery	19	614249	3	Tie-Cable
7	1-633651	2	Bolt-Holddown	20	32149-1	2	Nut-Keps
8	104-7201	2	Nut-HF, NI	21	3234-5	2	Screw-HHF
9	1-807513	2	Bolt-CARR	22	3220-2	2	Nut-Hex Jam
10	114-7988	3	Guide-Cable	23	32128-33	1	Nut-HF
11	117-1197	1	Solenoid	25	122-1000	1	Cable-Battery, Positive
12	137-4100	1	Switch-Ignition	26	122-0999	1	Cable-Battery, Positive
13	120-2244	1	Hourmeter	27	122-0959	1	Cable-Battery, Negative
14	32144-4	2	Screw-HWH	28	98-7249	3	Relay
15	3296-2	2	Nut-Lock, NI	29	3253-4	2	Washer-Lock
16	122-0925	1	Harness-Wire	30	32180-030	1	Clip-Tie
16:7	218-578	1	Fuse-Blade, 10 Amp				

# Attachments and Accessories

## For 33521 — Brush Cutter Walk Behind

<b>Product Name</b>	<b>Model/Part</b>
Spark Arrester Kit .....	131-4160
Blade-Brush.....	132-7036-03
Flail Blade Kit.....	136-4622
Flail Ends Kit.....	136-4623
Deck Ski Kit .....	137-7608

**Notes:**

**Notes:**

**Notes:**



**Count on it.**