



Count on it.

Parts Catalog

**eProstripe® 560 60V
Mower**

Model No. 02660T—Serial No. 419000000 and Up



Ordering Replacement Parts

To order replacement parts, please supply the part number, the quantity, and the description of each part desired.

Understanding Reference Numbers

Each identified part in an illustration has a reference number. The reference number for a part also appears in the parts list, along with other information about the part.

This catalog uses two special reference number formats, one to indicate parts in a service assembly and another to indicate the quantity of a given part in an illustration.

Service Assembly Reference Numbers

Parts in service assemblies have reference numbers in the form a:b. The a represents the reference number of the entire service assembly and the b represents a sequential number unique to each part within the service assembly.

For example, a wheel assembly might be identified by reference number 6, the tire by 6:1, the valve by 6:2, and the wheel by 6:3. When you order the assembly identified by reference number 6, you receive all parts identified by reference numbers 6:1, 6:2, and 6:3. However, you may also order any part individually. Reference numbers of this type appear in illustration and in parts lists.

Reference Numbers Indicating Quantity

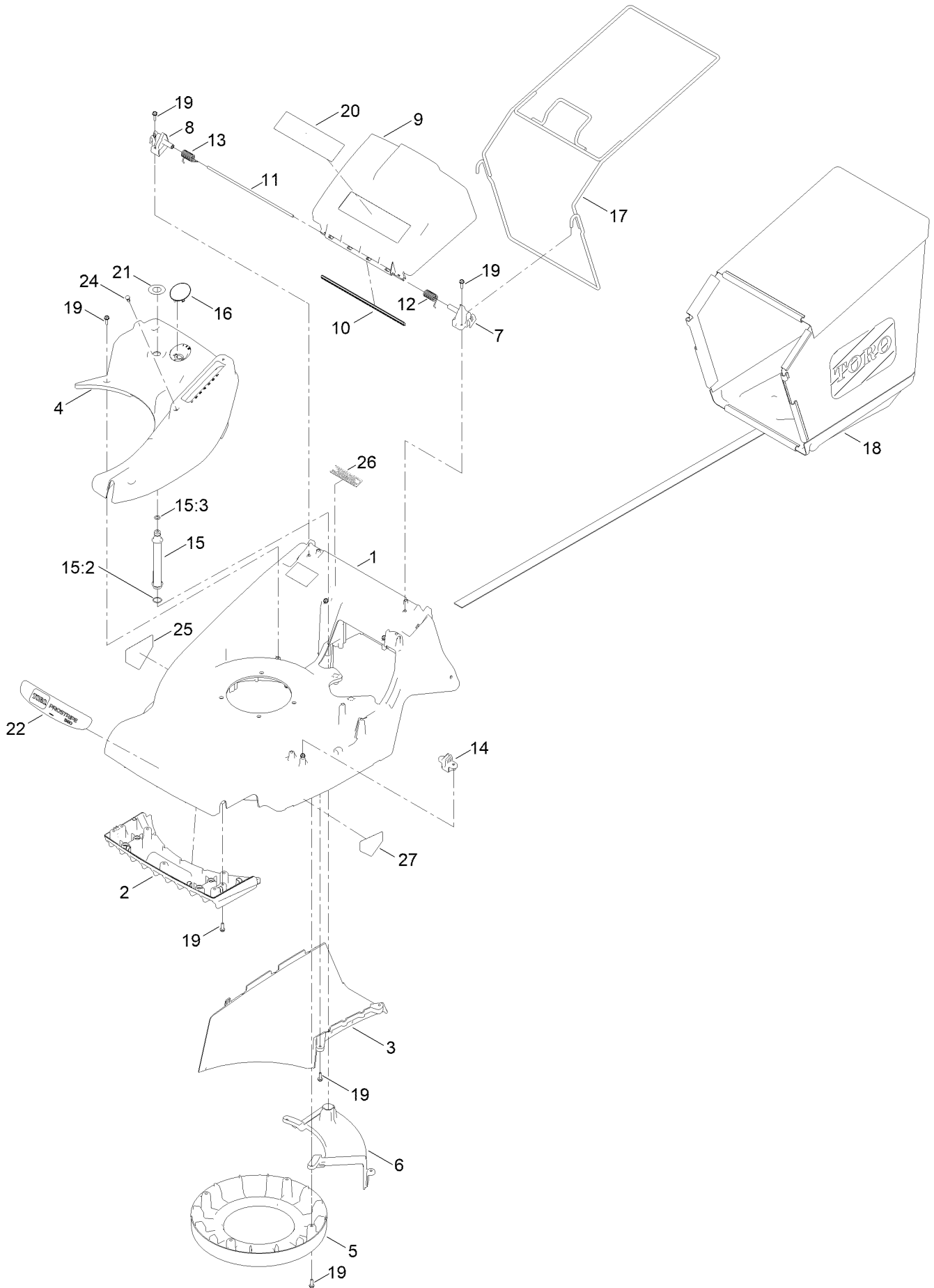
In an illustration, if a reference number indicates more than one part, the reference number has the form nX y. The n represents the quantity of the part, the X is the multiplication symbol, and the y represents the reference number.

For example, in an illustration, the reference number 2X 37 means that two of the parts identified by reference number 37 are indicated.

Contents

| | |
|--|----|
| Frame Assembly..... | 4 |
| Engine and Blade Assembly..... | 6 |
| Traction and Height-of-Cut Assembly..... | 8 |
| Handle Assembly..... | 10 |
| Lower Handle Assembly No. 134-3586..... | 12 |
| Attachments and Accessories..... | 14 |

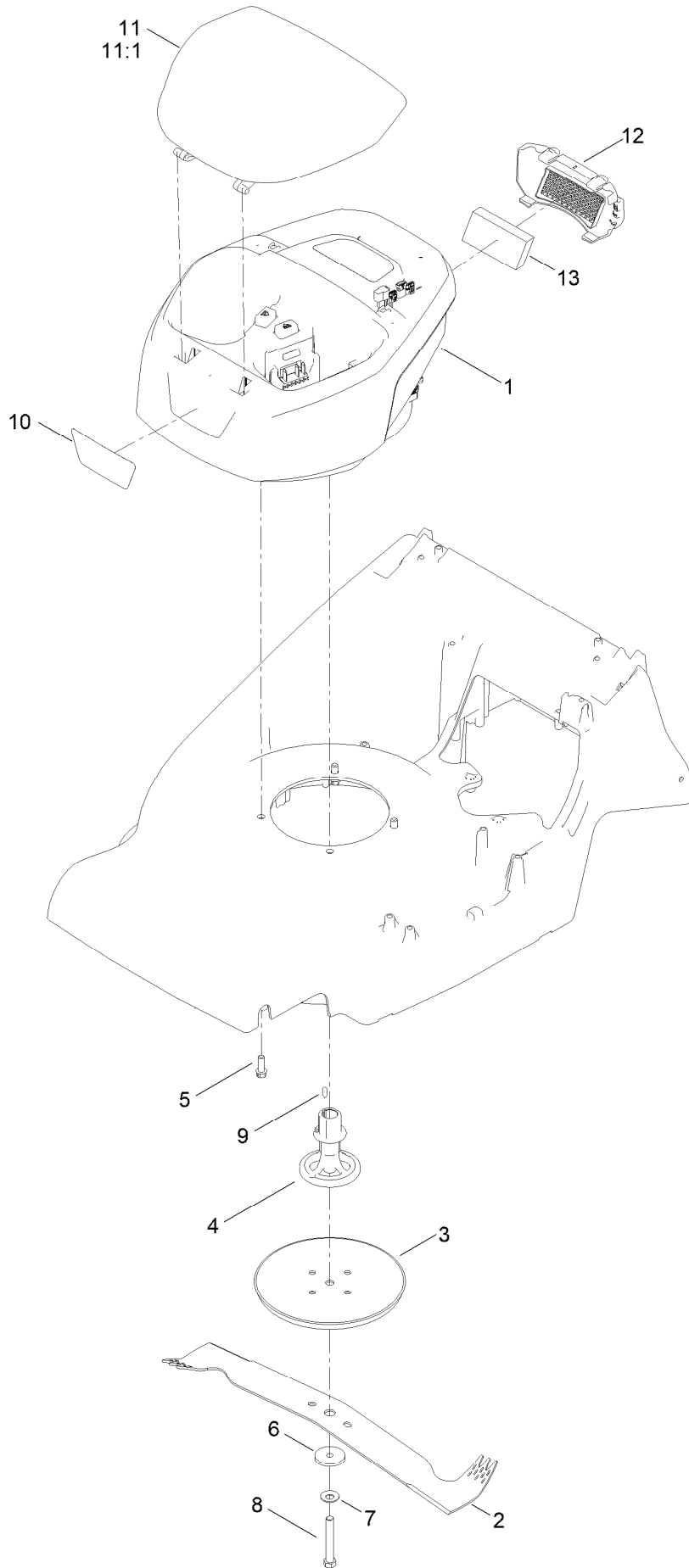
Frame Assembly



Frame Assembly (continued)

| <i>Ref.</i> | <i>Part Number</i> | <i>Qty.</i> | <i>Description</i> | <i>Ref.</i> | <i>Part Number</i> | <i>Qty.</i> | <i>Description</i> |
|-------------|--------------------|-------------|-------------------------|-------------|--------------------|-------------|-------------------------------------|
| 1 | 134-0332-01 | 1 | Harrier Deck Assembly | 15:2 | 111-8657 | 1 | O-Ring Seal |
| 2 | 134-0333 | 1 | Fins-Front | 15:3 | 111-8658 | 1 | O-Ring Seal |
| 3 | 134-0334 | 1 | Plate-Throw | 16 | 134-2238 | 1 | Top Trim Port Cover |
| 4 | 162-1473 | 1 | Trim-Top With Cutout | 17 | 111-8628-03 | 1 | Grassbag-Frame |
| 5 | 134-0336 | 1 | Cover-Belt | 18 | 134-6403 | 1 | Fabric Grassbag, Toro |
| 6 | 134-2208-03 | 1 | Cover-Belt | 19 | 09575 | 23 | Screw-Taptite |
| 7 | 111-8541 | 1 | Mount-Deflector, Left | 20 | 162-0519 | 1 | Decal-Safety |
| 8 | 111-8542 | 1 | Deflector Mount Right | 21 | 134-3333 | 1 | Decal-Quick Wash |
| 9 | 111-8647 | 1 | Deflector-Rear | 22 | 134-8531 | 1 | Decal - Eprostripe 560 |
| 10 | 111-8648 | 1 | Deflector-Seal, Rear | 24 | 134-0262 | 1 | Rivet-Push, Plastic |
| 11 | 111-8728 | 1 | Rod-Deflector | 25 | 94-8072 | 1 | Decal-Danger |
| 12 | 111-8543 | 1 | Spring-Deflector, Left | 26 | 133-8054 | 1 | Decal-Prop 65, Short, Trilingual |
| 13 | 111-8544 | 1 | Spring-Deflector, Right | | | | |
| 14 | 134-2255 | 1 | Rod-Support | 27 | 162-0023 | 1 | Decal-Danger |
| 15 | 134-8653 | 1 | Washport ASM, Yellow | | | | |

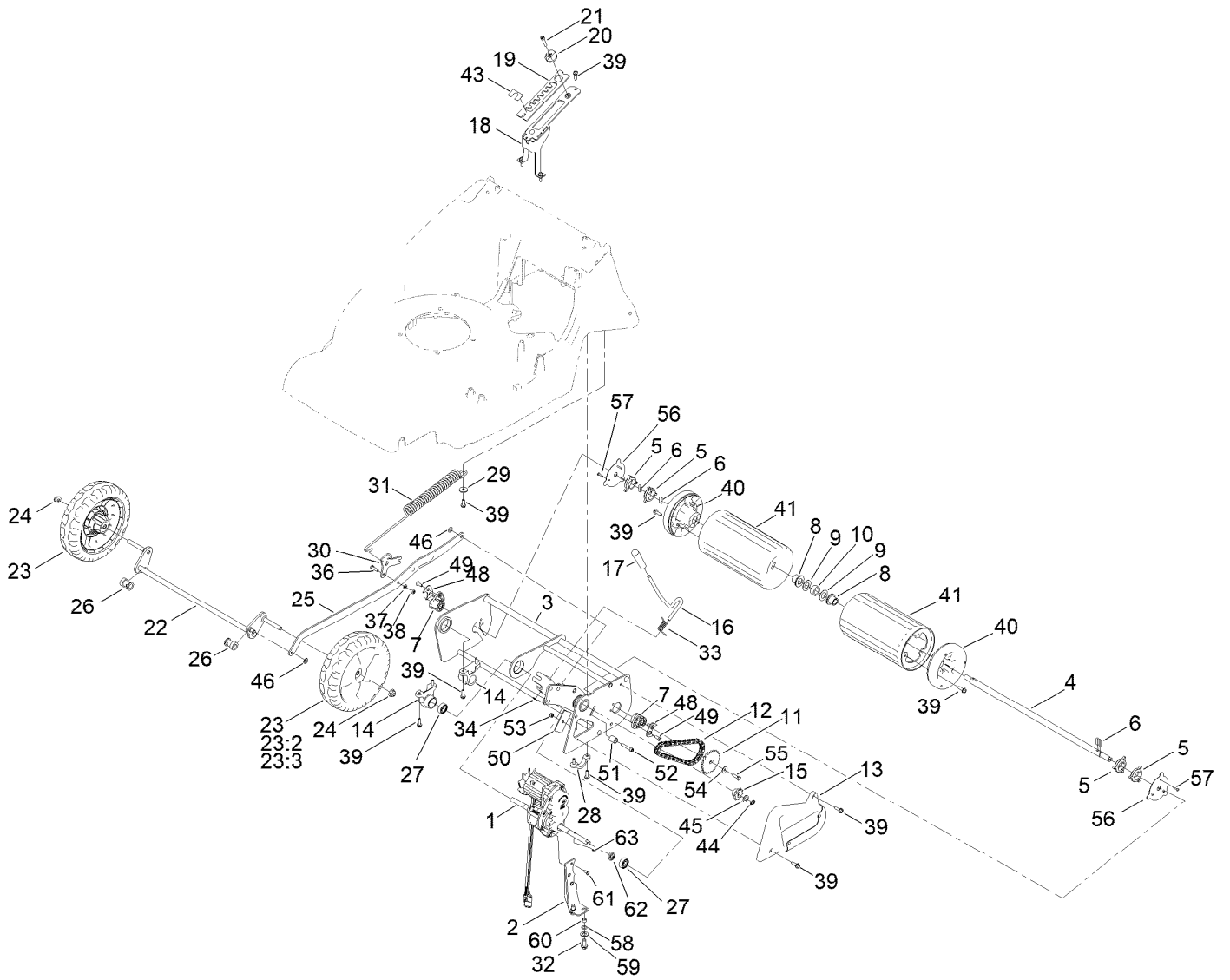
Engine and Blade Assembly



Engine and Blade Assembly (continued)

| <i>Ref.</i> | <i>Part Number</i> | <i>Qty.</i> | <i>Description</i> | <i>Ref.</i> | <i>Part Number</i> | <i>Qty.</i> | <i>Description</i> |
|-------------|--------------------|-------------|--------------------------------------|-------------|--------------------|-------------|--------------------------------------|
| 1 | 134-8600 | 1 | Motor Module (60V) [double][toro] | 8 | 134-1680 | 1 | Bolt, Unf 3/8 X 3 (Grade 8, Rohs) |
| 2 | 134-1849 | 1 | Cutterbar, 56CM | 9 | 134-4660 | 1 | Key-Flat |
| 3 | 410057W | 1 | Disc-Friction | 10 | 134-8532 | 1 | Decal - Front Motor Cover |
| 4 | 134-4299 | 1 | Boss Autodrive, 22MM | 11 | 134-8505 | 1 | Lid, Housing |
| 5 | 95-1726 | 3 | Screw-Taptite | 11:1 | 134-5361 | 2 | Screw-T |
| 6 | 134-3973 | 1 | Spacer-Distance, Cutterbar | 12 | 134-8506 | 1 | Cover, Rear |
| 7 | 134-3191 | 1 | Washer-Lock | 13 | 134-8752 | 1 | Foam, Filter |

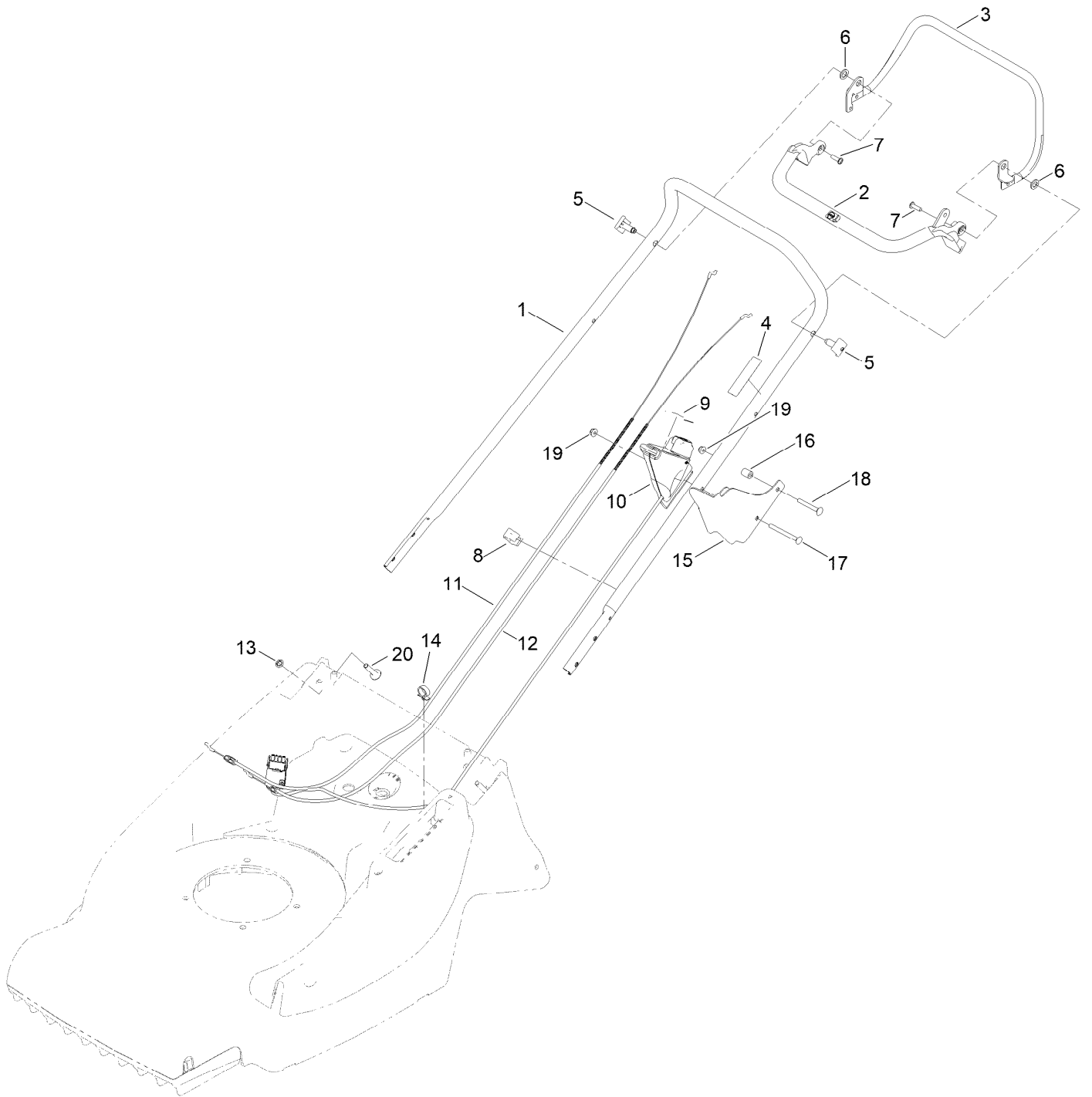
Traction and Height-of-Cut Assembly



Traction and Height-of-Cut Assembly (continued)

| <i>Ref.</i> | <i>Part Number</i> | <i>Qty.</i> | <i>Description</i> | <i>Ref.</i> | <i>Part Number</i> | <i>Qty.</i> | <i>Description</i> |
|-------------|--------------------|-------------|-----------------------------|-------------|--------------------|-------------|-------------------------------|
| 1 | 134-9984 | 1 | Gearbox, Me720 | 30 | 134-2254 | 1 | Spring Load Lever |
| 2 | 162-1486-03 | 1 | Bracket,E Gearbox [black] | 31 | 134-2287 | 1 | Spring Counter Balance |
| 3 | 162-0484-03 | 1 | Rear Frame, 56 (Pro) | 32 | 134-2299 | 2 | Screw-HWH |
| 4 | 134-5253 | 1 | Shaft-Roller, Pro | 33 | 480132 | 1 | Spring-Torsion, HOC |
| 5 | 134-2924 | 4 | Cam-Drive | 34 | 04020 | 1 | Grip-Fix |
| 6 | 134-2034 | 4 | Key-Drive | 36 | 09363 | 1 | Screw-HH |
| 7 | 134-2635 | 2 | Bush, Rear Roller | 37 | 09472 | 1 | Washer-Plain |
| 8 | 340129 | 2 | Bushing-Roller, Oilite | 38 | 09544 | 1 | Nut-Nyloc |
| 9 | 480097 | 2 | Washer | 39 | 09575 | 20 | Screw-Taptite |
| 10 | 134-0314 | 1 | Spacer-Roller | 40 | 134-8302 | 2 | Cap-Roller, End |
| 11 | 134-3806 | 1 | Sprocket | 41 | 134-0315-03 | 2 | Roller Shell Assembly |
| 12 | 134-5261 | 1 | Chain(46 Pitches 3/8") | 43 | 134-2620 | 1 | Decal-HOC |
| 13 | 134-4620 | 1 | Chain Cover ASM | 44 | 134-0254 | 1 | Circlip-External, HD |
| 14 | 134-0393 | 2 | Mount-Bearing, Frame (Rear) | 45 | 111-8216 | 1 | Washer-Thrust |
| 15 | 134-3805 | 1 | Sprocket, 10T | 46 | 0201086 | 2 | Washer-Starlock |
| 16 | 111-8705 | 1 | Lever-HOC | 48 | 134-1734 | 2 | Bearing Support Plate |
| 17 | 480134 | 1 | Knob-HOC | 49 | 09545 | 4 | Screw-Taptite |
| 18 | 134-0358 | 1 | HOC Tower Assembly | 50 | 134-6225-03 | 1 | Back Plate, Tensioner |
| 19 | 134-0361 | 1 | Plate-HOC | 51 | 134-6226 | 1 | Pulley, Tensioner |
| 20 | 134-0362 | 1 | Adjuster-HOC | 52 | 111-0118 | 1 | Screw-HSH |
| 21 | 111-4586 | 1 | Screw-HSH | 53 | 09438 | 1 | Nut-Nyloc |
| 22 | 134-4827 | 1 | 56 Front Axle Assembly HD | 54 | 111-7679 | 1 | Washer-Plain |
| 23 | 133-2639 | 2 | Wheel | 55 | 134-6999 | 1 | Screw-HH Lock |
| 23:2 | 133-2603 | 2 | Bearing-Ball | 56 | 134-8145 | 2 | Cover, Bearing |
| 23:3 | 125-1077 | 1 | Spacer | 57 | 111-9903 | 6 | Screw |
| 24 | 119-4042 | 2 | Nut-HF, NI | 58 | 134-0126 | 2 | O-Ring |
| 25 | 134-0365 | 1 | Connecting Rod Assembly | 59 | 09479 | 2 | Washer-Plain |
| 26 | 410069 | 2 | Bearing-Axle, Front | 60 | 162-0090 | 2 | Bush, E-Gearbox Bracket |
| 27 | 134-2889 | 2 | "bearing, Ball 12Mm" | 61 | 134-8306 | 2 | Screw-Plastic,Pht |
| 28 | 111-8670 | 1 | Axle- Support, Rear | 62 | 134-4513 | 1 | Retaining Collar, Drive Shaft |
| 29 | 09263 | 1 | Washer | 63 | 134-4514 | 1 | Pin, Roll, 3MM X 16MM |

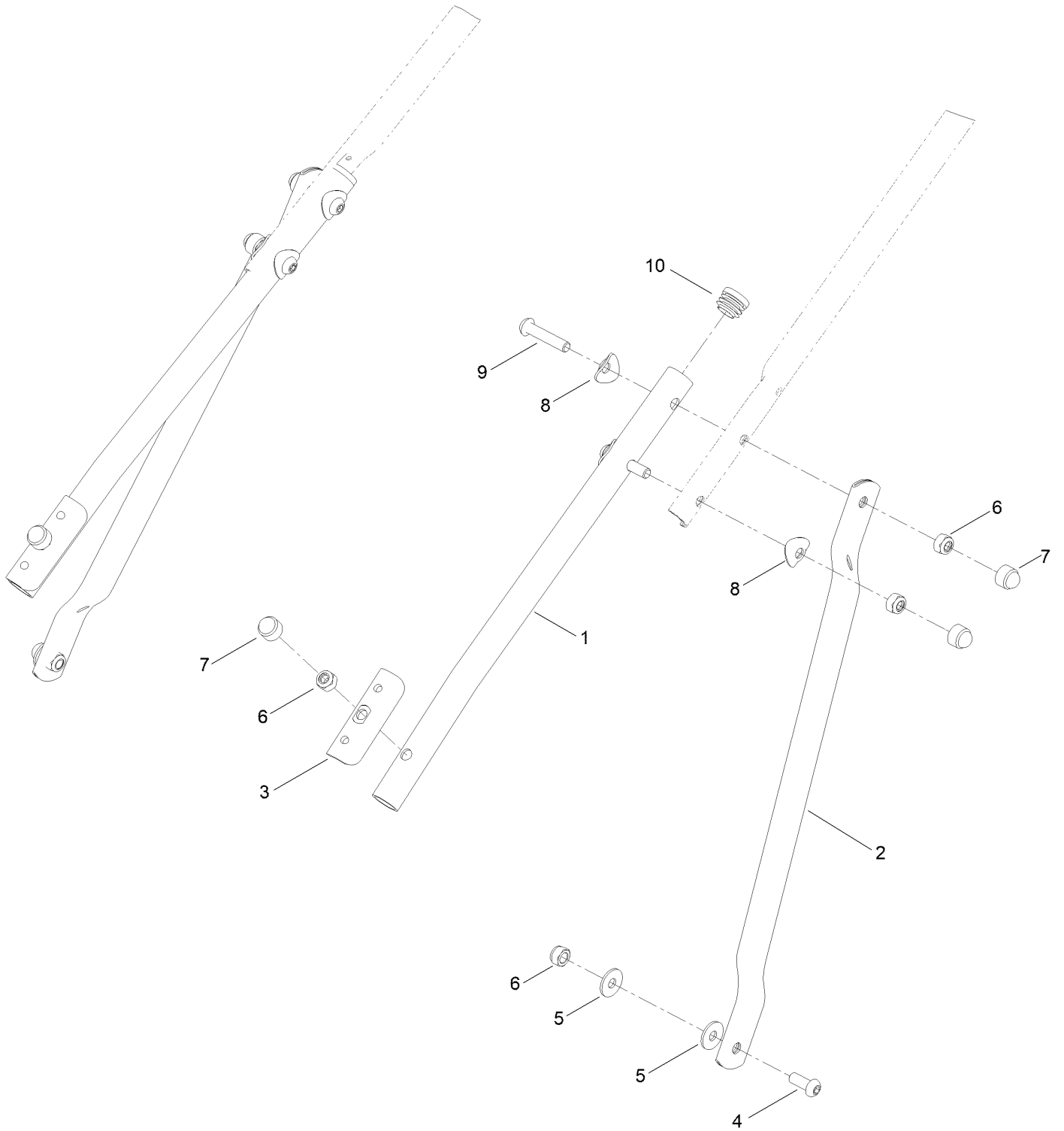
Handle Assembly



Handle Assembly (continued)

| <i>Ref.</i> | <i>Part Number</i> | <i>Qty.</i> | <i>Description</i> | <i>Ref.</i> | <i>Part Number</i> | <i>Qty.</i> | <i>Description</i> |
|-------------|--------------------|-------------|-------------------------------------|-------------|--------------------|-------------|-----------------------|
| 1 | 162-0025-03 | 1 | Upper Handlebar [black] | 11 | 134-9570 | 1 | OPC Cable, 2X 60V |
| 2 | 111-9662 | 1 | OPC Lever - Engine | 12 | 134-9571 | 1 | Drive Cable, 2X 60V |
| 3 | 111-9381-03 | 1 | Lever-Clutch, Gearbox | 13 | 04020 | 2 | Grip-Fix |
| 4 | 134-4551 | 1 | Decal-Buton, Push, 60V | 14 | 134-3376 | 1 | Clip, Omega, |
| 5 | 340182 | 2 | Pin-Pivot | 15 | 134-9897-03 | 1 | Guard-Housing, Switch |
| 6 | 09688 | 2 | Washer-Nylon | 16 | 134-5188 | 2 | Spacer |
| 7 | 09687 | 2 | Screw | 17 | 137-9142 | 1 | Screw-CARR |
| 8 | 410037 | 1 | Guide-Cable | 18 | 136-7081 | 1 | Screw-CARR |
| 9 | 134-8671 | 1 | Decal - Switch | 19 | 104-7201 | 2 | Nut-HF, NI |
| 10 | 134-9577 | 1 | Switch-Starter-Wheel-ASM, Handle | 20 | 09379 | 2 | Bolt-Coach |

Lower Handle Assembly No. 134-3586



Lower Handle Assembly No. 134-3586 (continued)

| <i>Ref.</i> | <i>Part Number</i> | <i>Qty.</i> | <i>Description</i> | <i>Ref.</i> | <i>Part Number</i> | <i>Qty.</i> | <i>Description</i> |
|-------------|--------------------|-------------|-----------------------------|-------------|--------------------|-------------|--------------------|
| 1 | 134-2499-03 | 2 | Handlebar Lower (Prostripe) | 6 | 09441 | 6 | Nut-Hex, NI |
| 2 | 134-2900-03 | 2 | Prostripe Brace Handlebar | 7 | HY234051 | 6 | Cap-Nut |
| 3 | 340028 | 2 | Plate-Clamp, Handlebar | 8 | 137-3009 | 6 | Washer-Cup |
| 4 | ZHS1H020U | 2 | Screw-HSBH | 9 | 134-3821 | 4 | Screw-Hsbw |
| 5 | 09267 | 4 | Washer-Plain | 10 | 300160 | 2 | Plug-Tube |

Attachments and Accessories

For 02660T — eProstripe 560 60V Mower

| Product Name | Model/Part |
|---|-------------------|
| Groomer Brush Kit, ProStripe 560 Mower | 134-3722 |
| Rub Strip Kit..... | 134-3826 |
| KIT - HI-LIFT CUTTER BLADE..... | 134-9600 |
| Six Pod Charger Bracket Kit | 147-1880 |
| Front Bumper Kit..... | 162-1458 |
| Lawnmower Cover..... | 490-7462 |
| Battery Charger, Six Pod 60V 12 Amp CE | 66560 |
| Battery -LI-ION, 60V 10 AH, 540WH..... | 66910 |
| 60V 10.0 AH Battery LI-ION, CE | 68810 |
| 60v Battery Charger 5 Amp International | 81805 |
| 60V 2.0 AH Battery International..... | 81820 |
| 60V 2.5 AH Battery CE | 81825 |
| 60V 4.0 AH Battery CE | 81850 |
| 60V 6.0 AH Battery CE | 81860 |
| 60V 7.5 AH Battery CE | 81875 |
| Battery Charger, 60V 2.0 Amp CE | 86902 |
| Battery Charger, 60V 5.4 Amp CE | 86905 |
| Battery Charger, 60V 2-Pod 4A CE..... | 86924 |
| Battery-LI-ION, 60V 2.5AH, 135WH | 88925 |
| Battery-LI-ION, 60V 4.0AH, 216WH | 88941 |
| Battery-LI-ION, 60V 6.0AH, 324WH | 88960 |
| Battery-LI-ION, 60V 8.0AH, 432WH | 88980 |
| 60V 2.5AH BATTERY CE HAYTER | CODE102A |
| 60V 4.0AH BATTERY CE HAYTER | CODE104A |
| 60V 6.0AH BATTERY CE HAYTER | CODE106A |
| 60V 7.5AH BATTERY CE HAYTER | CODE107A |
| 60V BATTERY CHARGER 2 AMP CE HAYTER | CODE120A |
| 60V FAST CHARGER, CE HAYTER | CODE121A |

Notes:



Count on it.