



NEW HOLLAND

MY17 Yard Tractor

Model No. 725055016 - T04MB0001 and up.

Parts Catalog

Ordering Replacement Parts

To order replacement parts, please supply the part number, the quantity, and the description of each part desired.

Understanding Reference Numbers

Each Identified part in an illustration has a reference number. The reference number for a part also appears in the parts list, along with other information about the part.

This catalog uses two special reference number formats, one to indicate parts in a service assembly and another to indicate the quantity of a given part in an illustration.

Service Assembly Reference Numbers

Parts in service assemblies have reference numbers in the form a:b. The a represents the reference number of the entire service assembly and the b represents a sequential number unique to each part within the service assembly.

For example, a wheel assembly might be identified by reference number 6, the tire by 6:1, the valve by 6:2, and the wheel by 6:3. When you order the assembly identified by reference number 6, you receive all parts identified by reference numbers 6:1, 6:2, and 6:3. However, you may also order any part individually. Reference numbers of this type appear in illustrations and in part lists.

Reference Numbers Indicating Quantity

In an illustration, if a reference number indicates more than one part, the reference number has the form nX y. The n represents the quantity of the part, the X is the multiplication symbol, and the y represents the reference number.

For example, in an illustration, the reference number 2X 37 means that two of the parts identified by reference number 37 are indicated.

Part Description Abbreviations

Part descriptions in this catalog may include the following abbreviations.

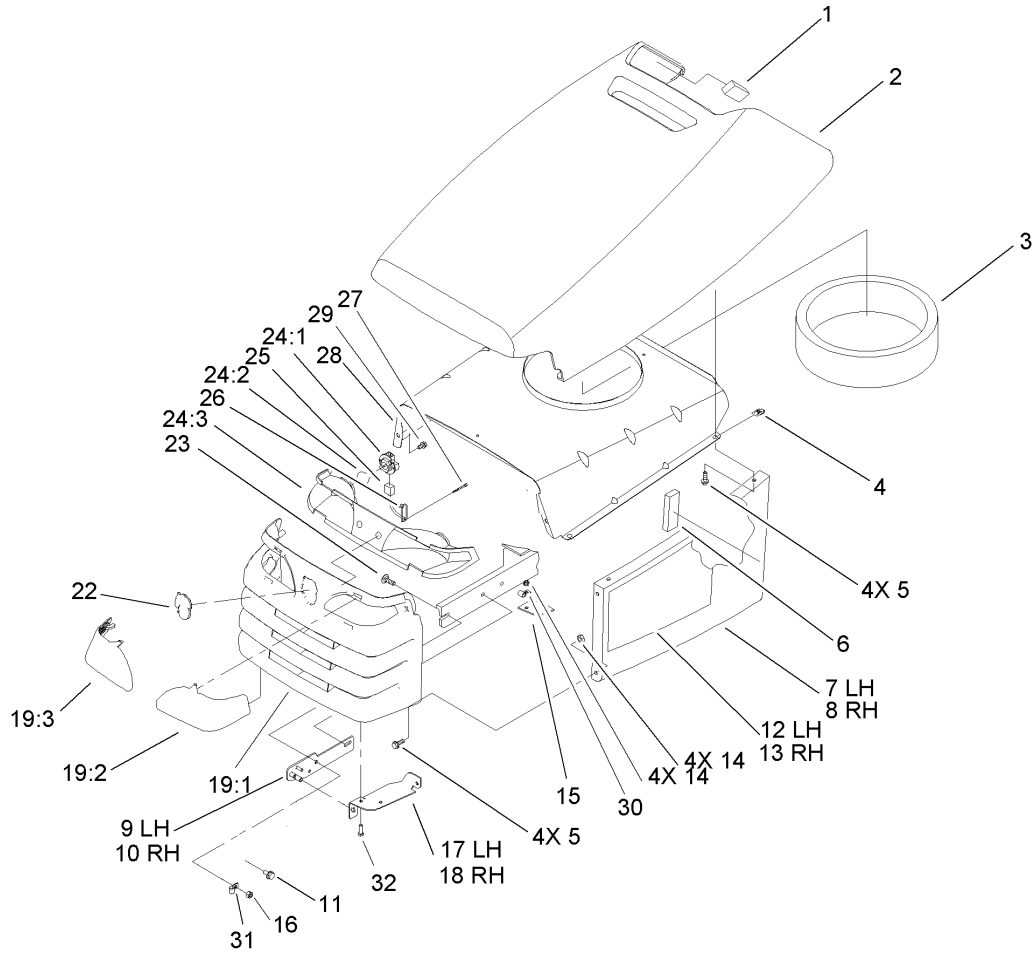
AR.	as required	HYD.	hydraulic
ASM.	assembly	INC.	incorporated
CARR.	carriage	LH.	left hand
DEG.	degrees	NI.	nylon insert
FH.	flat head	PPH.	phillips pan head
GA.	gauge	PTH.	phillips truss head
HF.	hex flange	PTO.	power take off
HH.	hex head	RH.	right hand
HHF.	hex head flange	SFH.	slotted fillister head
HHFTF.	hex head flange thread forming	SHH.	slotted hex head
HJ.	hex jam	SHWH.	slotted hex washer head
HLH.	hex lag head	SPH.	slotted pan head
HOC.	height-of-cut	SQH.	square head
HS.	hex	SRH.	slotted round head
HSBH.	hex socket button head	STD.	standard
HSFH.	hex socket flat head	TAP.	self tapping
HS.	hex socket head	TTH.	torx truss head
HWH.	hex washer head	WH.	wing head
HWHTF.	hex washer head thread forming		

Footnotes

- ❶ Not illustrated
- ❷ Not serviced separately

Contents

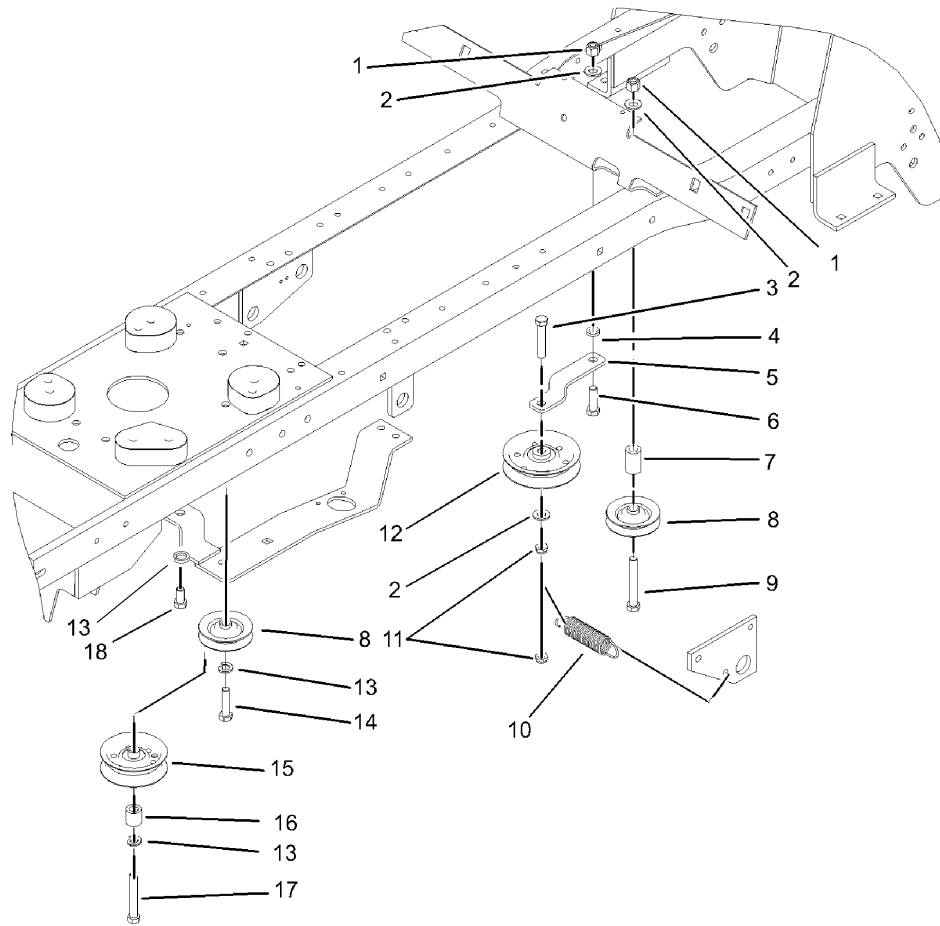
Description	Page	Description	Page
Hood and Grill Assembly 3	Hydro Transaxle Assembly 18
Hydro Drive Assembly 4	Fan Assembly 19
Front Axle and Front Hitch Assembly 5	Differential Gear Assembly 20
Single Cylinder Engine, Muffler and PTO Assembly 6	RH Housing Assembly 21
Cylinder, Engine, Muffler and PTO Assembly 7	Cylinder Block Assembly 22
Battery Assembly 8	Fender and Footrest Assembly 23
Fuel Tank Assembly 9	Seat Assembly 24
Lower Steering Wheel and Tilt Assembly 10	Dash Assembly 25
Steering Wheel and Tilt Assembly 11	Rear Wheel Assembly 26
Hoodstand and Firewall Assembly 12	Cruise Control Assembly 27
Manual Lift Lever Assembly 13		
Electrical Lift Assembly 14		
Brake Assembly 15		
Hydro Control Assembly 16		
Frame Assembly 17		



Hood and Grill Assembly

Ref	Part No.	Qty.	Description
1	94-1980	2	Foam-Hood
2	104-5050	1	Hood-Top
3	92-7076	1	Seal-Air Inlet, Twin
4	92-7006	4	Nut
5	32105-15	8	Screw
6	92-7148	2	Foam - Sidepanel
7	107-3681	1	Side Panel-Lh, Xt New Nh
❶8	107-3682	1	Side Panel-Rh, New Nh
9	106-5673-03	1	Bracket-Hinge, LH
❶10	106-5672-03	1	Bracket-Hinge, RH
11	32144-14	2	Screw-HWH
12	107-3688	1	Decal-My17, Ls Panel (Nh)
❶13	107-3689	1	Decal-My17, Rs Panel (Nh)
14	32128-10	8	Nut-Lock, HHF
15	106-5676-03	2	Hinge-Hood
16	3296-29	2	Nut-Lock, NI
17	106-5680-03	1	Bracket-Hood, Hinge, LH
❶18	106-5682-03	1	Bracket-Hood, Hinge, RH
❶19		1	Asm, Nh Grille
19:1	106-5699	1	Grille-Nh Xt
19:2	106-5693	1	Lens-Lh, Xt
19:3	106-5692	1	Lens-Rh, Xt
22	107-7338	1	Emblem - Logo
23	3230-16	2	Screw-CARR

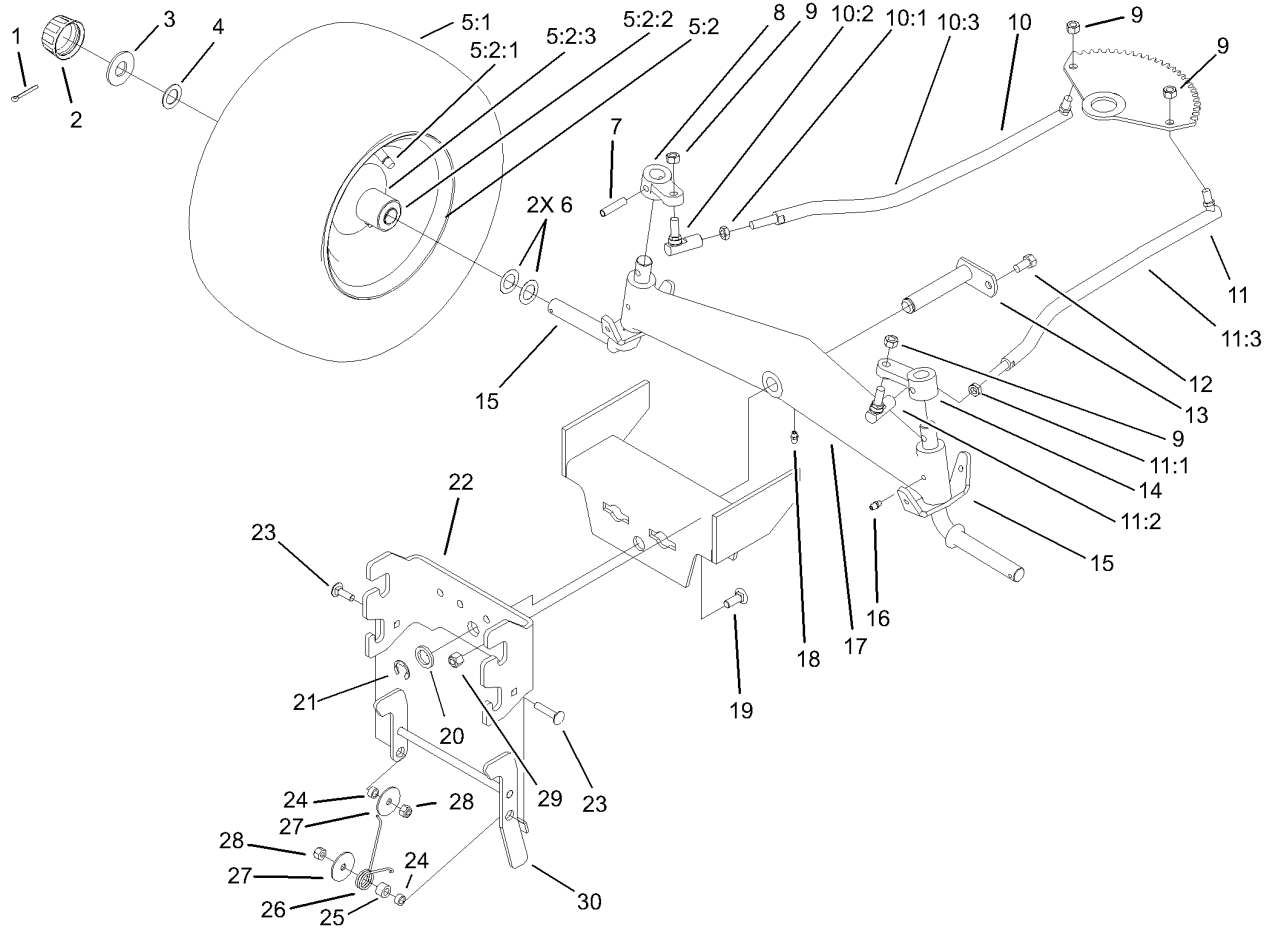
Ref	Part No.	Qty.	Description
❶24	106-9870	1	Reflector And Lamp ASM
24:1	116262	2	Socket-Headlight
24:2	7228	2	Bulb
24:3	106-9869	1	Reflector
25	106-9890	1	Harness-Wire, Headlights
26	614249	2	Strap-Tie
27	94-6961	2	Screw
28	92-6914-03	1	Baffle-Hood, Upper
29	46-8093	2	Screw-Plastite
30	2412-89	1	Clamp
31	98-2390	1	Clamp - R
32	321-5	4	Screw-HH



Hydro Drive Assembly

Ref	Part No.	Qty.	Description
1	3296-39	2	Nut-Lock, NI
2	3256-24	3	Washer-Flat
3	323-10	1	Screw-HH
4	106-5597	1	Spacer-Idler, Traction
5	106-5566-03	1	Bracket-Idler
6	323-7	1	Screw-HH
7	106-5565	1	Spacer-Idler
8	93-0320	2	Pulley - Idler, *b
9	323-13	1	Screw-HH
10	106-5598	1	Spring-Extension
11	3296-59	2	Nut-Lock, NI
12	92-7101	1	Pulley-Flat Idler
13	3253-5	3	Washer-Lock
14	323-8	1	Screw-HH
15	92-7104	1	Pulley-Idler
16	106-5574	1	Spacer-Mounting, Steering
17	323-12	1	Screw-HH
18	323-4	1	Screw-HH

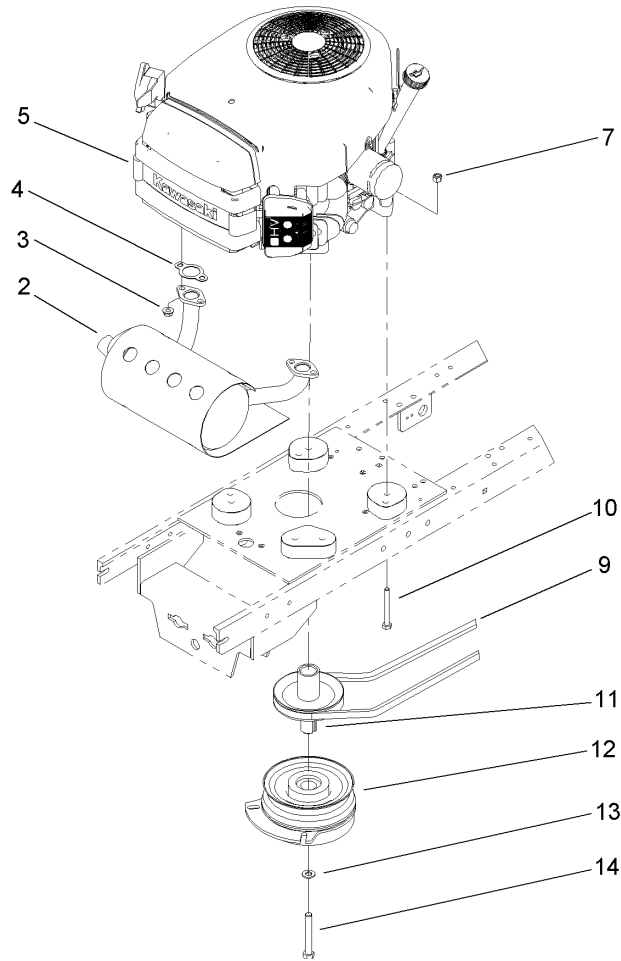
--	--	--	--



Front Axle and Front Hitch Assembly

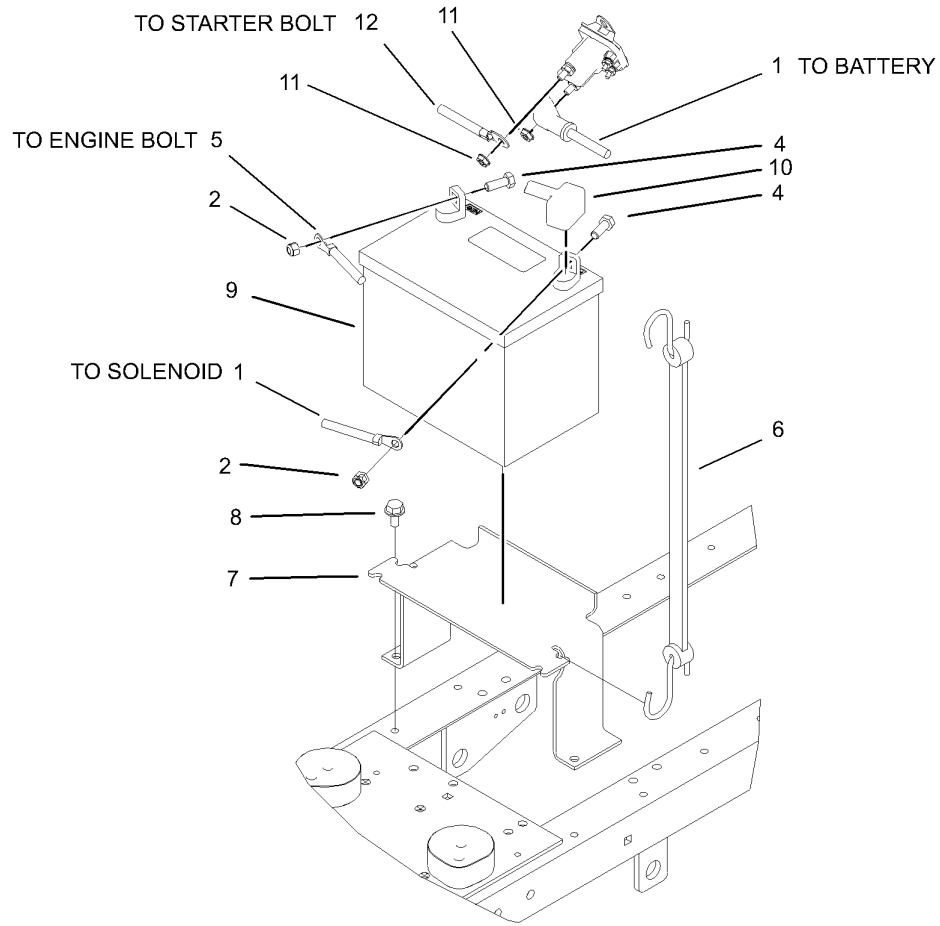
Ref	Part No.	Qty.	Description
1	3272-17	2	Pin-Cotter
2	61-9780	2	Cap-Hub
3	28-2480	2	Washer
4	1278	2	Washer
5		2	Front Wheel & Tire ASM
5:1	99-2336	1	Tire
5:2	93-9804	1	Wheel W/zerk ASM
5:2:1	5108	1	Valve
5:2:2	110513	2	Bearing-Wheel
5:2:3	109500	1	Zerk-Grease
5:99	105293	1	Tube-Inner
6	5210	4	Washer-Shim
7	933270	2	Pin
8	78-1950-03	1	Arm-Front Spindle
9	9150026	4	Nut
10	92-6883	1	Linkage-Steering, RH
10:1	9150854	1	Nut-Jam
10:2	78-2920	1	Ball-Joint
10:3	78-5801	1	Ball Link ASM
11	92-6884	1	Linkage-Steering, LH
11:1	9150854	1	Nut-Jam
11:2	78-2920	1	Ball-Joint
11:3	78-5811	1	Ball Link ASM
12	9267154	1	Screw

Ref	Part No.	Qty.	Description
13	92-7057-03	1	Pin-Axle
14	78-1940-03	1	Arm-Front Spindle
15	78-2601-03	2	Spindle
16	302-5	2	Fitting-Grease
17	78-7960-03	1	Axle-Front
18	302-11	1	Fitting-Lube, 45 DEG
19	3231-25	4	Screw-CARR
20	9202324	1	Washer
21	5618	1	E-Ring
22	106-4044-03	1	Hitch-Front
23	3230-5	2	Screw-CARR
24	92-6998	2	Spacer-Yoke, Right
25	107-3677	1	Spacer-Tube
26	106-4048	1	Spring-Torsion
27	3256-68	2	Washer-Flat
28	3296-29	2	Nut-Lock, NI
29	3296-39	4	Nut-Lock, NI
30	106-5637-03	1	Latch ASM (Welded)



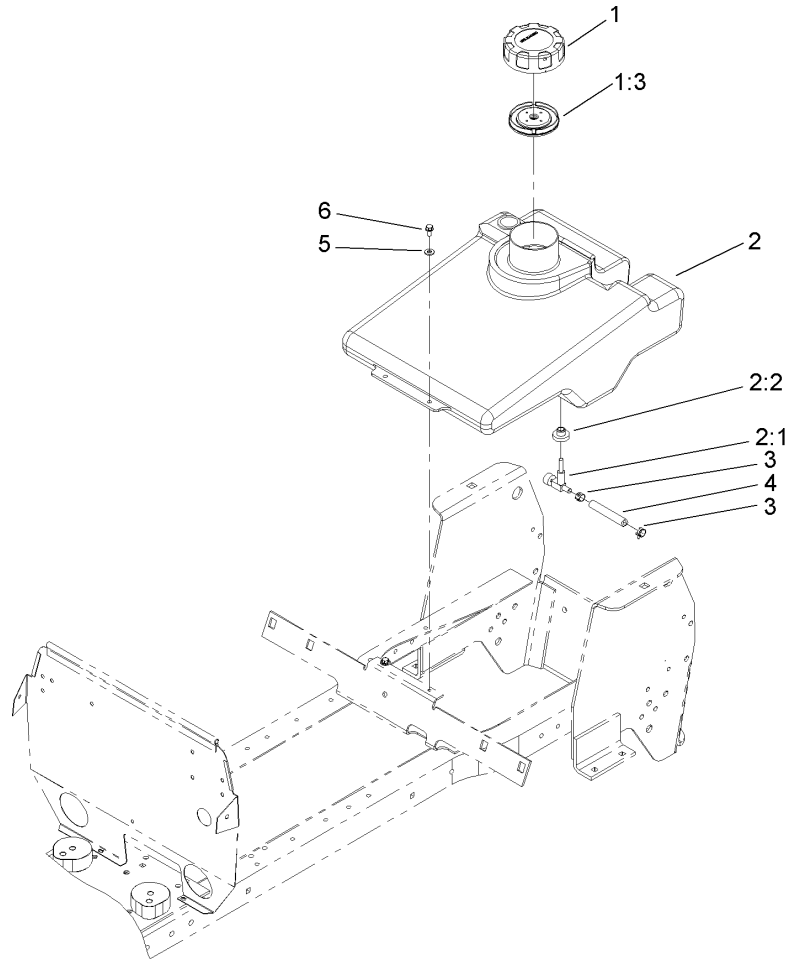
Cylinder, Engine, Muffler and PTO Assembly

Ref	Part No.	Qty.	Description				
2	106-5666	1	Muffler, Kawasaki Xt				
3	92-6780	4	Nut-HF				
4	93-0350	2	Gasket-Exhaust				
5	106-5678	1	Engine-Kawasaki 17hp Model No. Fh541V-Bs04				
7	3296-29	4	Nut-Lock, NI				
9	106-5813	1	V Belt-Traction				
10	322-13	4	Screw-HH				
11	106-5665	1	Pulley-Engine				
12	106-4099	1	Clutch-Xt				
13	3256-25	1	Washer-Flat				
14	3212-19	1	Screw-HH				



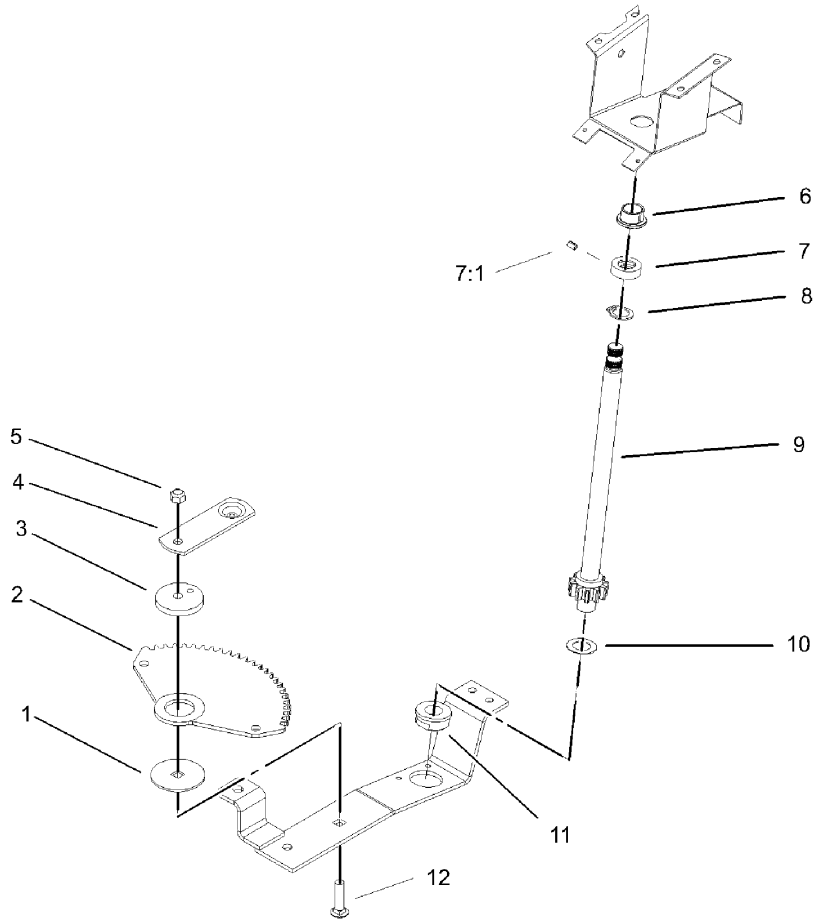
Battery Assembly

Ref	Part No.	Qty.	Description
1	106-8268	1	Cable-Battery, Red
2	3296-29	2	Nut-Lock, NI
4	322-4	2	Screw-HH
5	105-0836	1	Cable-Battery, Black
6	104-2467	1	Hold-Down, Battery
7	104-0812-03	1	Bracket-Battery
8	32144-14	2	Screw-HWH
9	104-2492	1	Battery (Dry)
10	28-8080	1	Boot-Terminal
11	32149-2	2	Nut
12	106-8269	1	Cable-Battery, Red



Fuel Tank Assembly

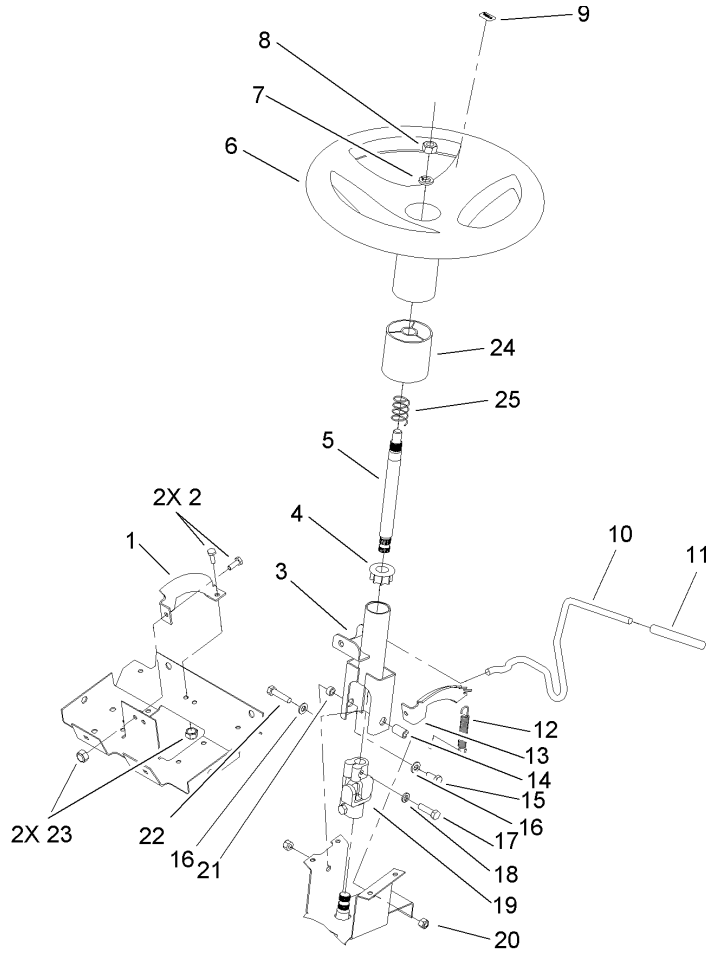
Ref	Part No.	Qty.	Description				
1	88-3980	1	Gas Cap ASM				
1:3	88-4010	1	Gasket-Cap, Gas				
2	94-6928	1	Tank - Gas				
2:1	104048	1	Valve-Fuel				
2:2	104047	1	Bushing				
3	2412-98	2	Clamp				
4	106-9876	1	Hose-Fuel Line, Xt				
5	3256-22	2	Washer-Flat				
6	32144-4	2	Screw-HWH				



Lower Steering Wheel and Tilt Assembly

Ref	Part No.	Qty.	Description
1	111419	1	Washer-Bearing
2	106-8262	1	Sector-Gear
3	111418	1	Bushing
4	78-9150-03	1	Plate
5	108881	1	Nut
6	109189	1	Bearing-Flanged
7	111383	1	Collar
7:1	3245-32	1	Screw-HS
8	111646	1	Ring-Retaining
9	92-6702	1	Shaft-Lower Steering
10	1278	1	Washer
11	110391	1	Bearing-Wheel
12	3231-4	1	Screw-CARR

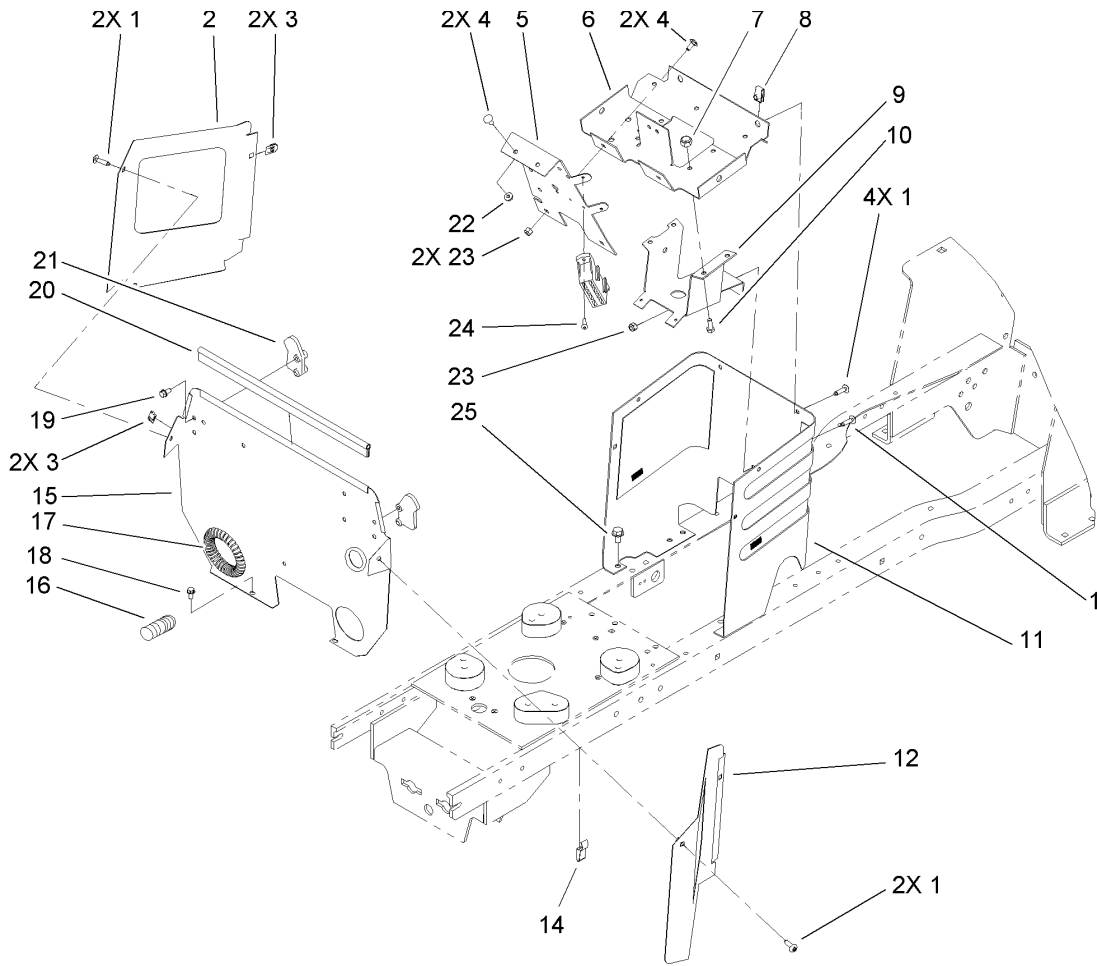
--	--	--	--



Steering Wheel and Tilt Assembly

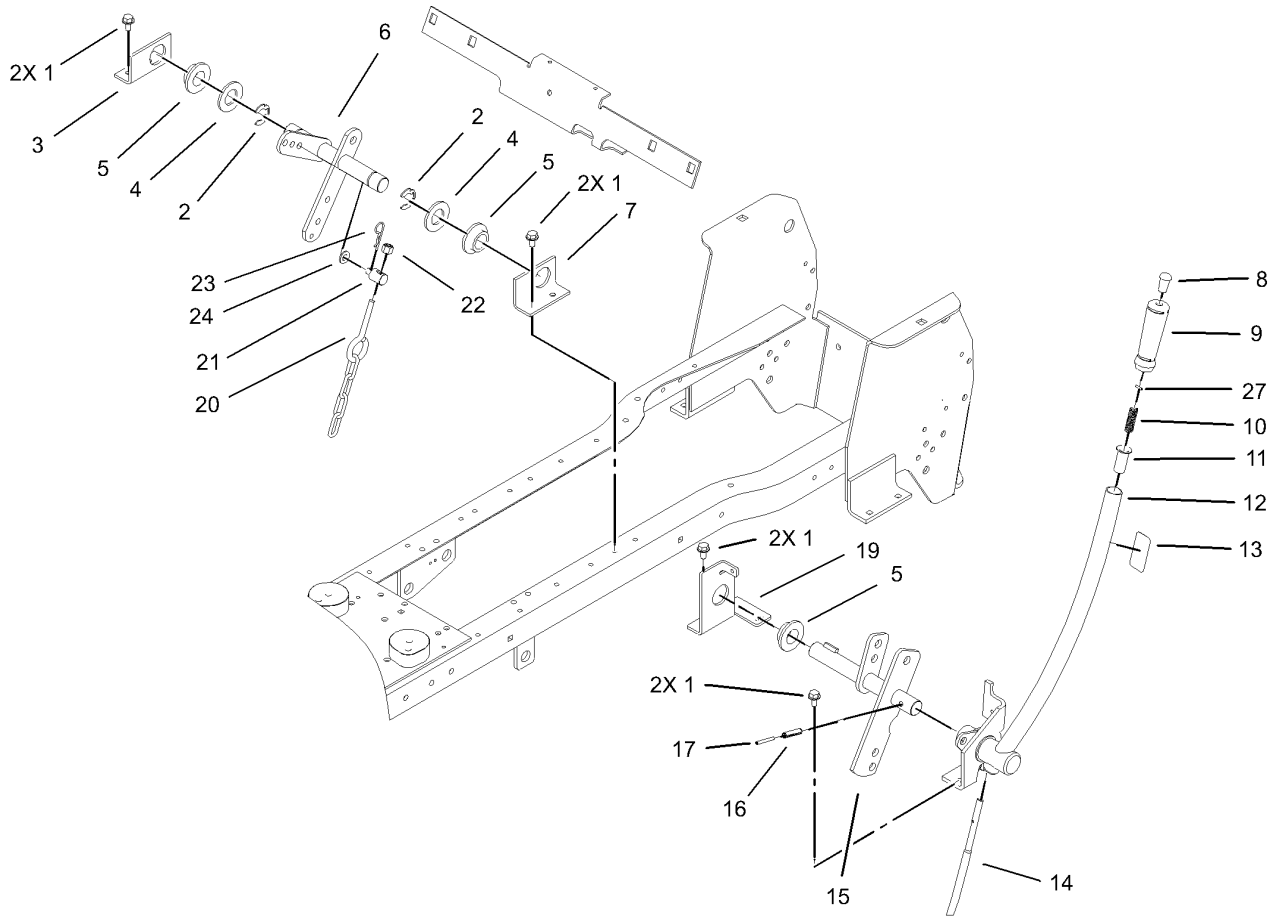
Ref	Part No.	Qty.	Description
1	92-6777-03	1	Bracket - Support Column
2	321-4	4	Screw-HH
3	93-1148-03	1	Column
4	93-1146	1	Bushing-Upper, Steering
5	94-2873	1	Shaft - Long Steering
6	94-3502	1	Wheel-Steering
7	3253-7	1	Washer-Lock
8	3217-9	1	Nut-Hex
9	92-7059	1	Logo-New Holland
10	92-6971	1	Lever - Tilt
11	92-6798	1	Cap-Rod, Tilt
12	93-1357	1	Spring - Extension, Steering
13	92-6776	1	Bracket - Detent
14	92-6999	1	Spacer-Yoke
15	322-3	1	Screw-HH
16	3256-23	2	Washer-Flat
17	33114-030	2	Screw-HH
18	3253-4	2	Washer-Lock
19	92-6717	1	U Joint - Steering
20	3296-29	2	Nut-Lock, NI
21	92-6998	1	Spacer-Yoke, Right
22	322-17	1	Screw-HH
23	3296-8	4	Nut-Lock, NI
24	92-6983	1	Tube-Steering

Ref	Part No.	Qty.	Description
25	92-6981	1	Spring - Compression



Hoodstand and Firewall Assembly

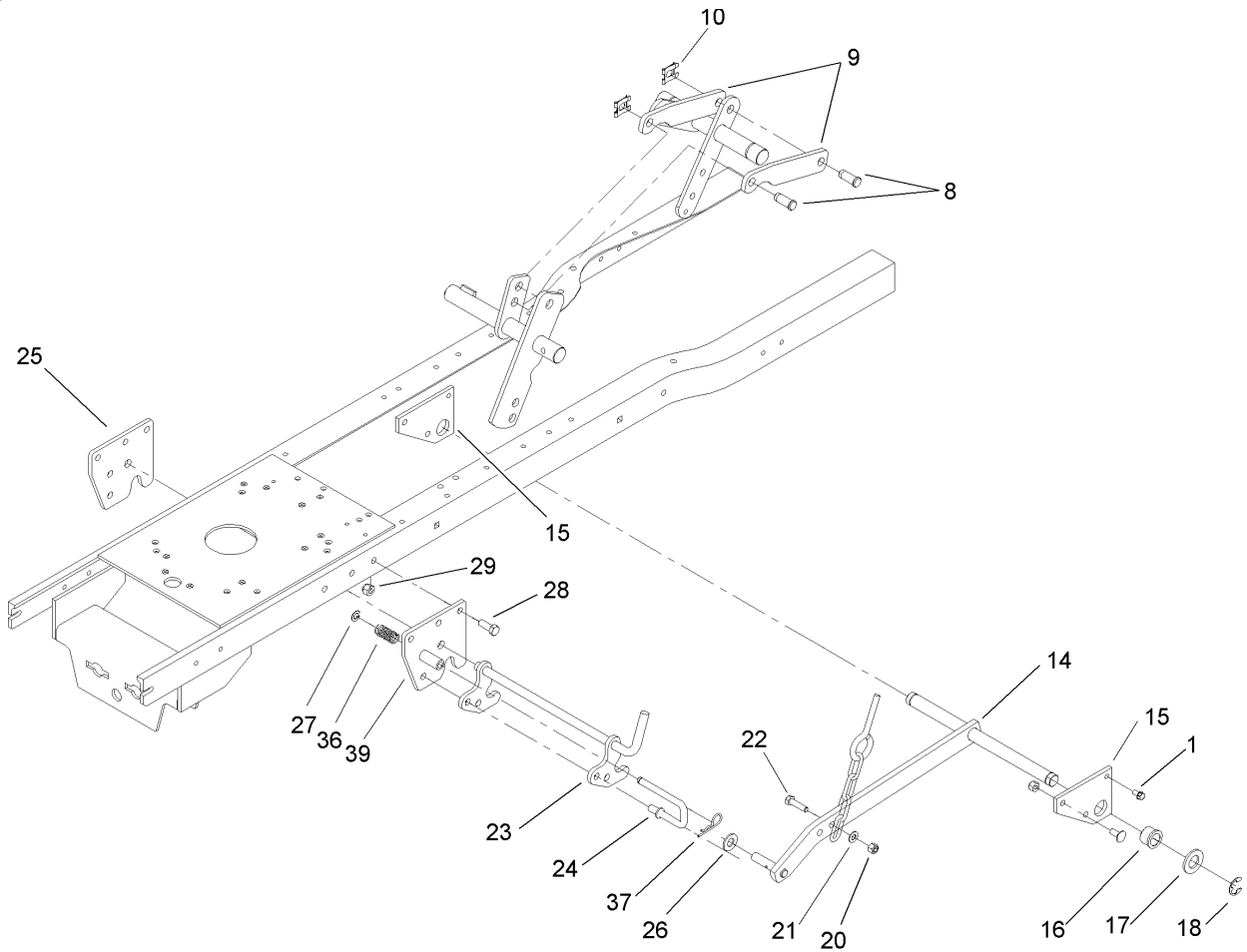
Ref	Part No.	Qty.	Description
1	92-7020	9	Screw-HH
2	92-6937-03	1	Cover-RH Side
3	92-7006	4	Nut
4	3229-11	4	Screw-CARR
5	106-8246-03	1	Panel-Support, Dash
6	92-6859-03	1	Support - Dash
7	3296-8	4	Nut-Lock, NI
8	107069	4	Clip
9	92-6778-03	1	Bracket-Lower Column
10	321-4	4	Screw-HH
11	106-5570-03	1	Hoodstnd Wa
12	92-6936-03	1	Cover-LH Side
14	212-93	1	Clamp-Casing
15	104-0818-03	1	Firewall
16	106-4147	1	Harness-Wire, 417xt
17	24-7924	2	Cover-Drive Shaft
18	32144-4	2	Screw-HWH
19	46-8093	2	Screw-Plastite
20	93-1131	1	Trim-Seal Firewall
21	92-6960	2	Latch - Hood
22	32149-2	2	Nut
23	3296-42	3	Nut-Lock, NI
24	32144-8	2	Screw-HH
25	32144-14	2	Screw-HWH



Manual Lift Lever Assembly

Ref	Part No.	Qty.	Description
1	32144-14	8	Screw-HWH
2	32151-91	2	Ring-Retaining
3	106-5650-03	1	Bracket-Pivot Linkage, RH
4	3256-62	2	Washer-Flat
5	106269	3	Bearing-Flange
6	106-5660-03	1	Lift Lever ASM
7	106-5652-03	1	Bracket-Pivot Linkage, LH
8	92-6711	1	Tip - Rod
9	92-6710	1	Grip-Handle
10	3624	1	Spring-Compression
11	8130	1	Retainer-Spring
12	106-5663-03	1	Lift Lever ASM
13	112168	1	Decal-Lift
14	92-6977-03	1	Rod - Lift Lever
15	106-5656-03	1	Lift Arm ASM
16	32121-25	1	Pin-Roll
17	32121-103	1	Pin-Spring
19	106-4073-03	1	Bracket-Pivot, Lift
20	106522	1	Chain-Lift
21	79-2790	1	Trunnion
22	3296-39	1	Nut-Lock, NI
23	9335054	1	Pin-Hair
24	3256-24	1	Washer-Flat
27	933148	1	Pin-Spirol

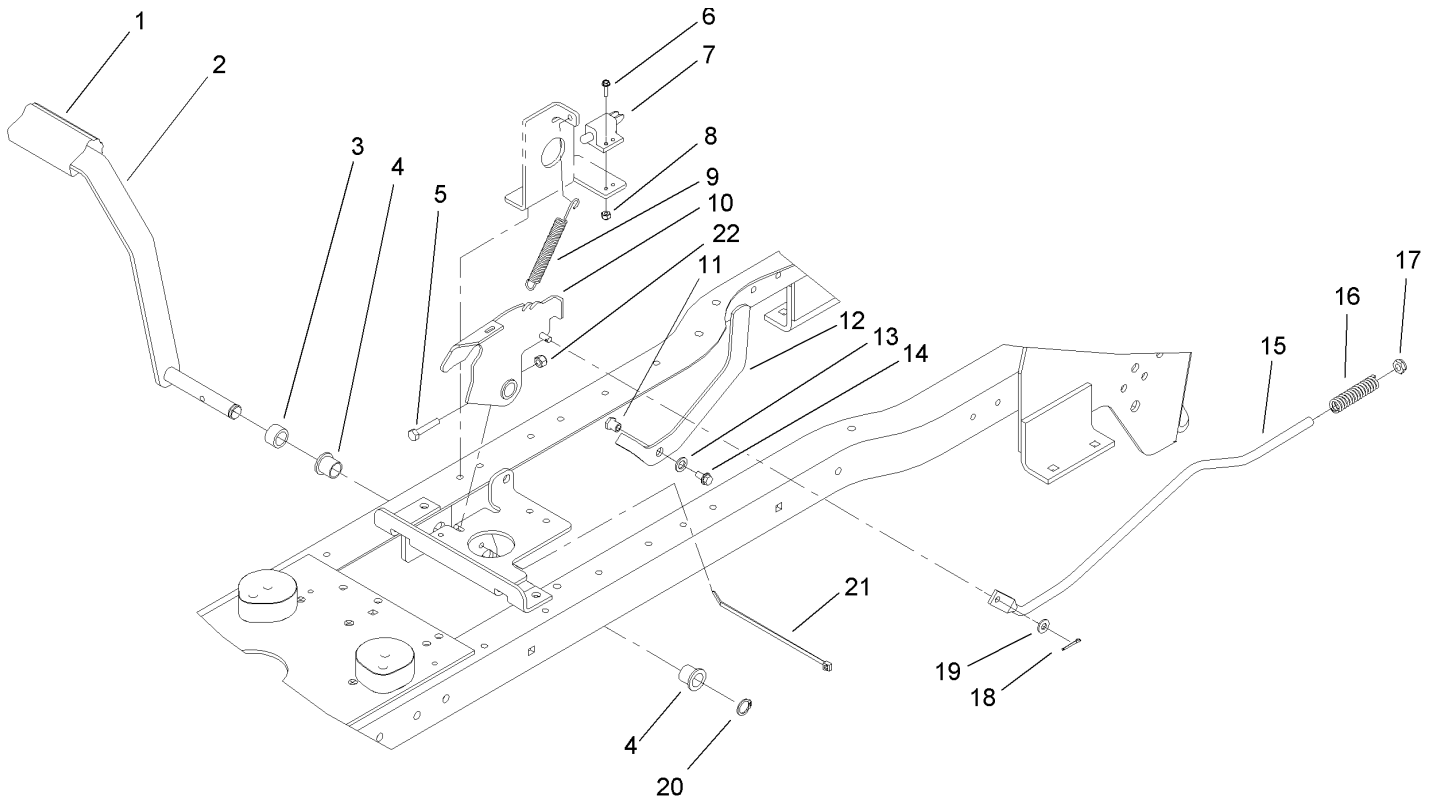
--	--	--	--



Electrical Lift Assembly

Ref	Part No.	Qty.	Description
1	32144-14	2	Screw-HWH
8	98-1639	2	Pin-Clevis
9	106-5691-03	2	Strap-Link, Lift
10	95-4064	2	Clip-Pin
14	106-4065-03	1	Lift Bar ASM
15	106-4066	2	Plate-Lift, Rear
16	98-1636	2	Bushing - Flange
17	3256-28	2	Washer-Flat
18	32151-48	2	E-Ring
20	3296-29	1	Nut-Lock, NI
21	3256-23	1	Washer-Flat
22	322-6	1	Screw-HH
23	106-4091	1	Midhitch Latch ASM
24	107-3663	1	Rod-Catch
25	106-4060	1	Plate-Hitch
26	3256-26	1	Washer-Flat
27	105797	1	Ring-Retaining
28	323-46	6	Screw-HH
29	3296-39	6	Nut-Lock, NI
36	101853	1	Spring-Compression
37	9335054	1	Pin-Hair
39	107-3665	1	Midhitch ASM (Welded)

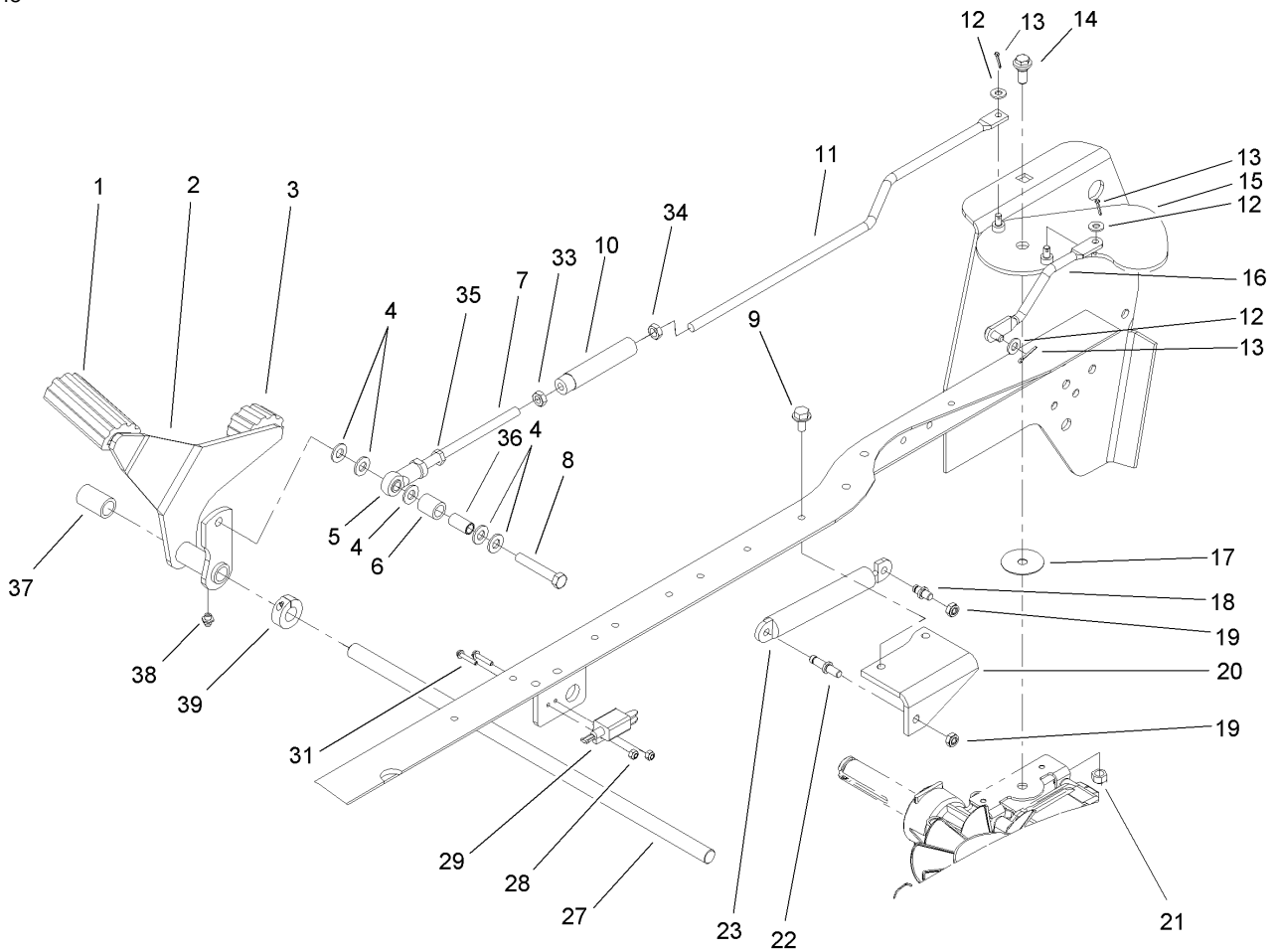
--	--	--	--



Brake Assembly

Ref	Part No.	Qty.	Description
1	65-2920	1	Pad-Pedal
2	106-4068-03	1	Brake Pedal ASM
3	92-6982	1	Spacer - Brake
4	256-90	2	Bushing-Flange
5	321-13	1	Screw-HH
6	3290-392	2	Screw-HHF
7	86-4690	1	Switch-Interlock
8	3296-1	2	Nut-Lock, NI
9	93-0540	1	Spring - Extension
10	106-4069	1	Brake ASM
11	47-4990	1	Post-Linkage Mounting
12	106-4075	1	Lever, Brake-Parking
13	106-5592	1	Spacer-Brake, Parking
14	3234-13	1	Screw-HHF
15	106-5621	1	Rod-Brake
16	104-0837	1	Spring-Compression
17	3296-5	1	Nut-Lock, NI
18	3272-6	1	Pin-Cotter
19	3256-22	1	Washer-Flat
20	32151-62	1	Ring-Retaining
21	614249	1	Strap-Tie
22	3296-42	1	Nut-Lock, NI

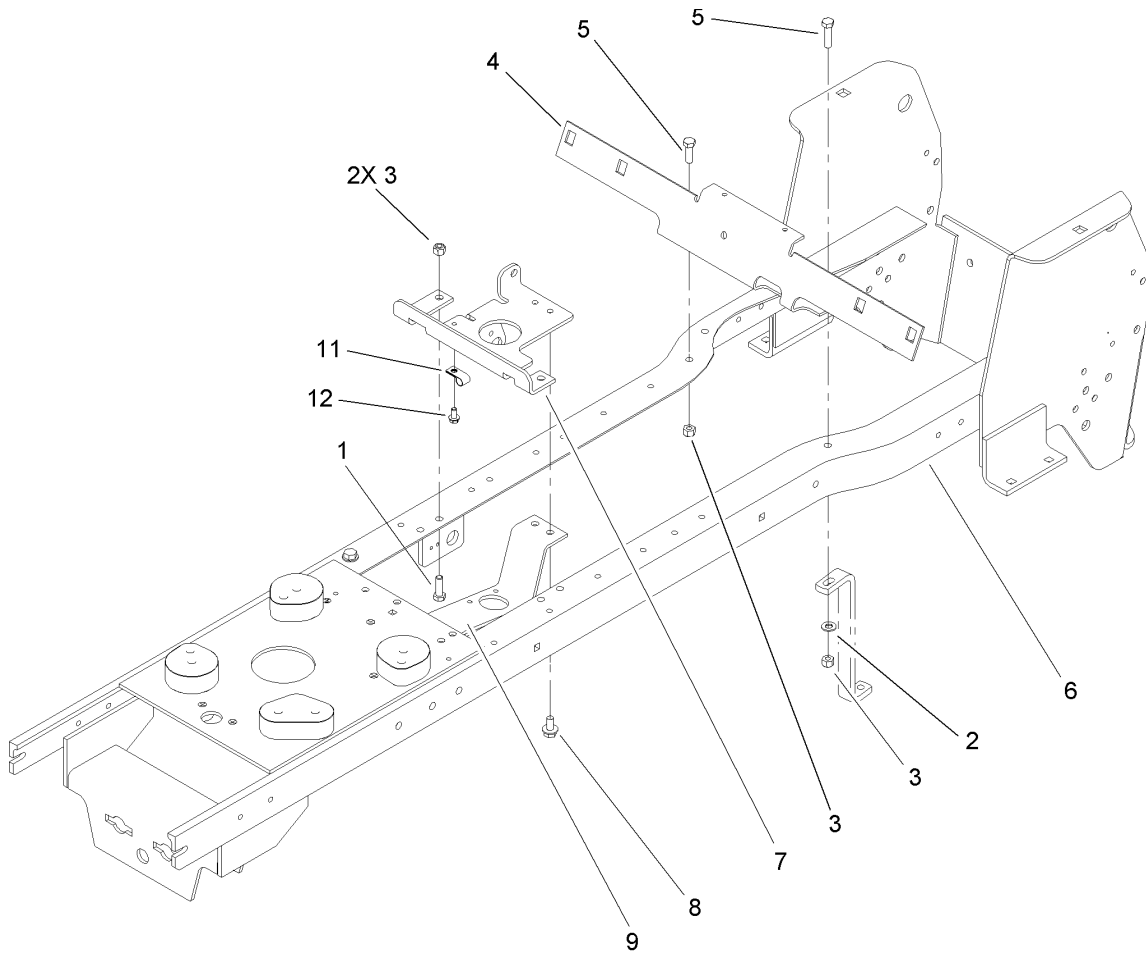
--	--	--	--



Hydro Control Assembly

Ref	Part No.	Qty.	Description
1	107-9211	1	Pad-Pedal Forward
2	107-3676-03	1	Hydro Pedal ASM (Welded)
3	107-9212	1	Pad-Pedal Reverse
4	3256-24	5	Washer-Flat
5	92-7008	1	End-Rod, Female
6	106-9939	1	Spacer-Interlock
7	107-3674	1	Rod-Hydro, Front
8	323-11	1	Screw-HH
9	32144-14	1	Screw-HWH
10	95-1504	1	Turnbuckle
11	107-3679	1	Rod-Hydro, Rear
12	3256-23	3	Washer-Flat
13	3272-6	3	Pin-Cotter
14	94-7582	1	Bolt - Shoulder
15	106-5579	1	Cruise Plate ASM
16	106-5577	1	Bell Crank Rod ASM
17	94-7575	1	Spacer - Cruise
18	100-6056	1	Arm-Control, Pin Damper
19	3296-20	2	Nut-Lock, NI
20	106-8247-03	1	Bracket-Damper
21	108881	1	Nut
22	100-6057	1	Pin-Damper Bracket
23	100-8732	1	Damper-Gas
27	94-4944	1	Shaft - Pedal Pivot

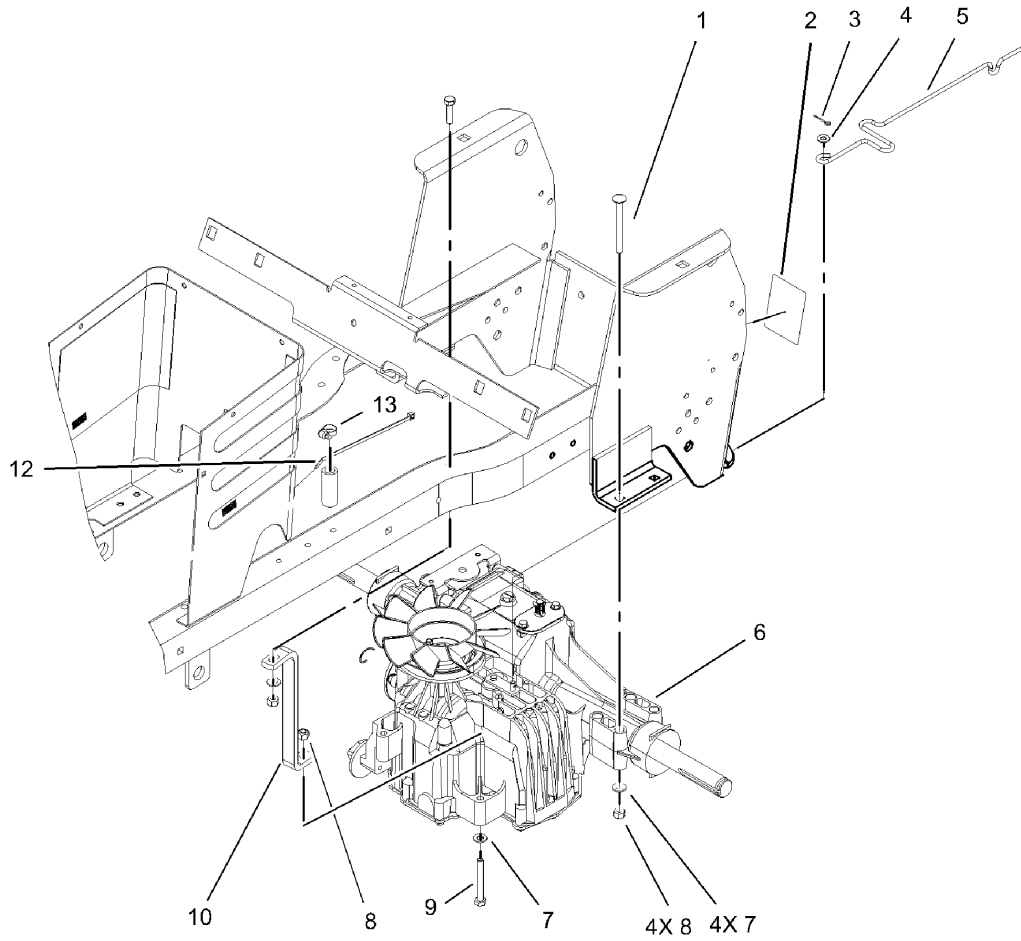
Ref	Part No.	Qty.	Description
28	3296-1	2	Nut-Lock, NI
29	106-4145	1	Switch-Adjustable, Nc
31	32105-29	2	Screw-SHWH
33	3220-3	1	Nut-Jam
34	106-8248	1	Nut-Jam, Hex LH
35	3218-3	1	Nut-Jam
36	76-1920	1	Sleeve-Bearing
37	92-6966	1	Spacer
38	302-26	1	Fitting-Grease
39	107-8453	1	Collar-Locking



Frame Assembly

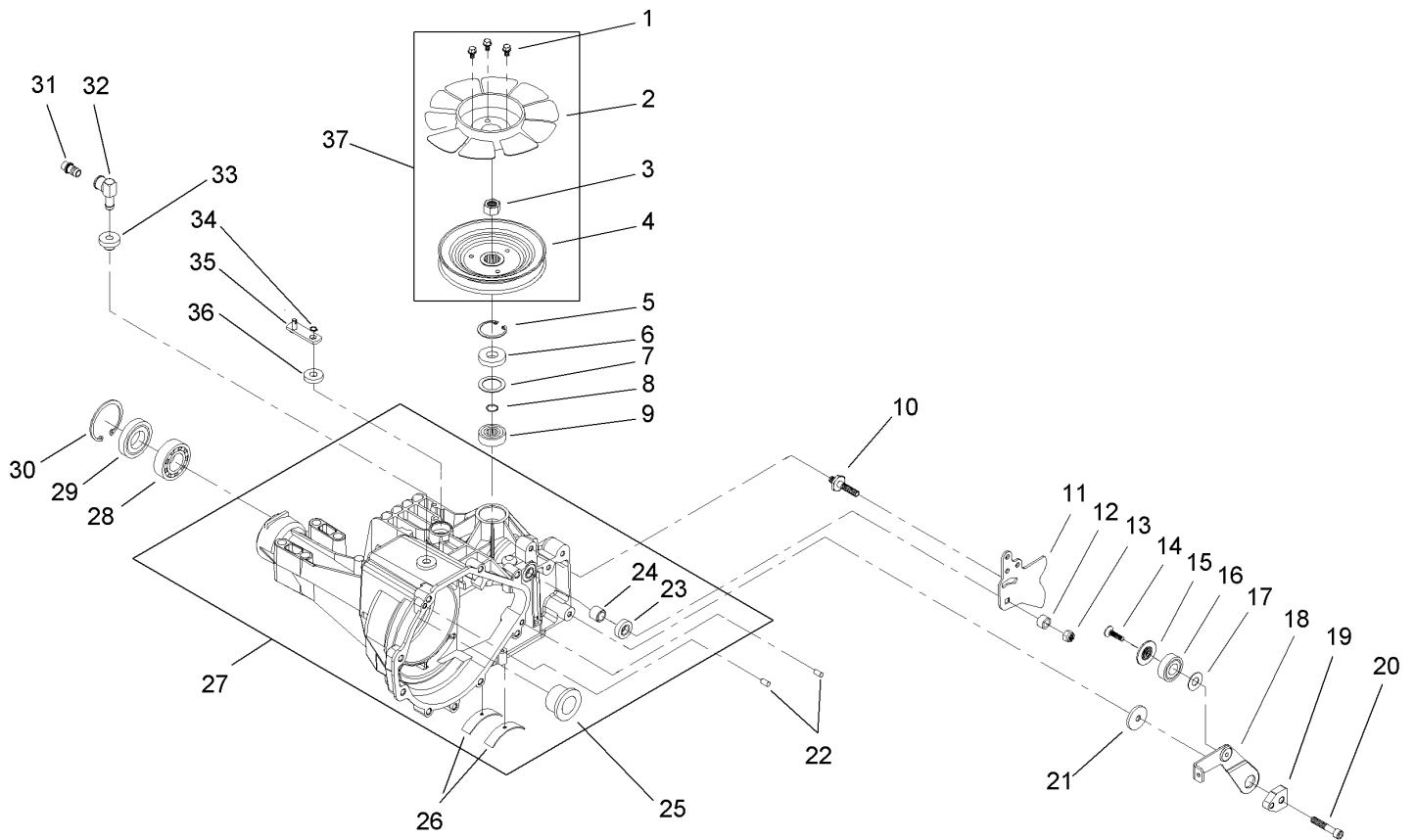
Ref	Part No.	Qty.	Description
1	322-5	2	Screw-HH
2	3256-23	1	Washer-Flat
3	3296-29	4	Nut-Lock, NI
4	106-5564-03	1	Support-Fender
5	322-6	2	Screw-HH
6	107-8451-03	1	Frame ASM (Welded)
7	106-4074-03	1	Bracket-Support, Steering
8	32144-14	2	Screw-HWH
9	106-5573-03	1	Steering Bracket ASM
11	2412-89	1	Clamp
12	32144-4	1	Screw-HWH

--	--	--	--



Hydro Transaxle Assembly

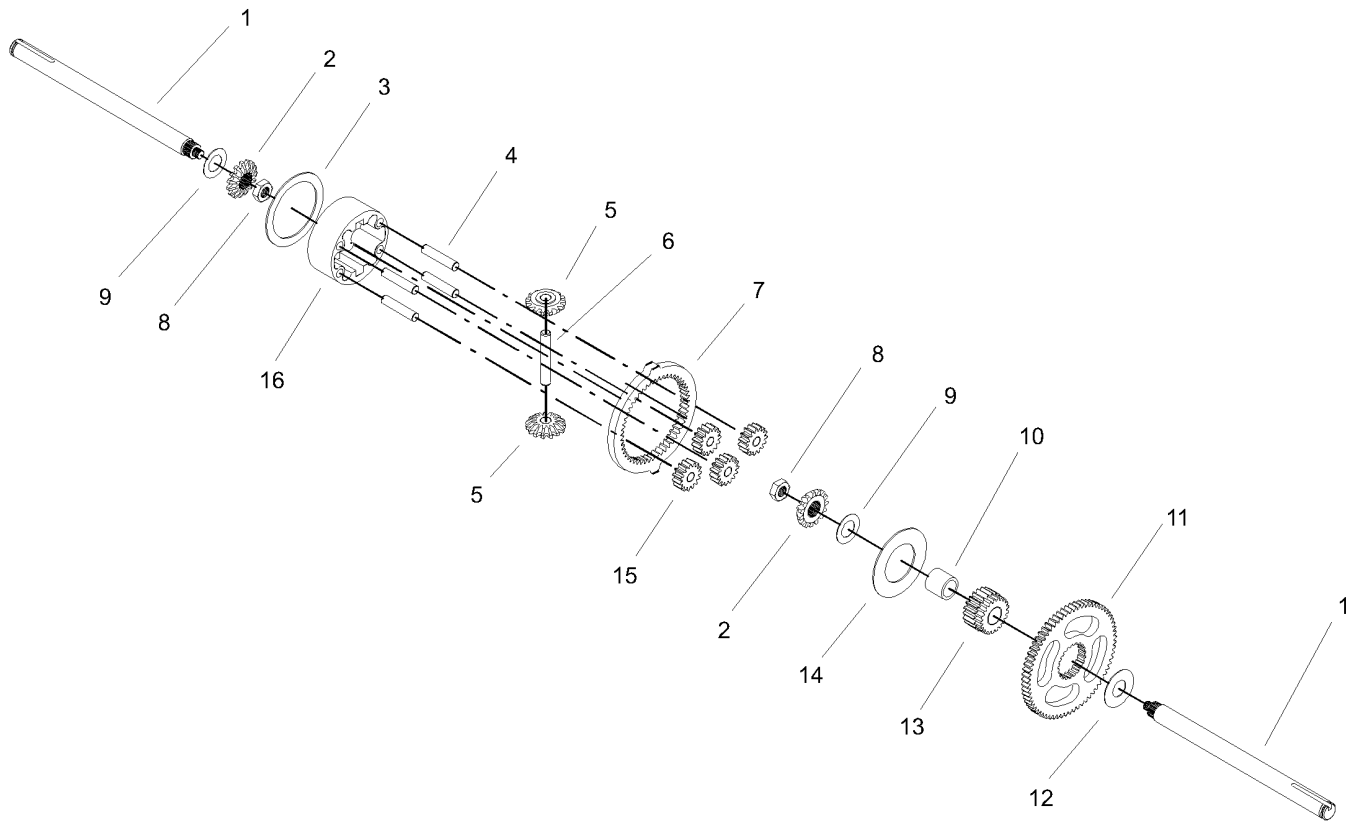
Ref	Part No.	Qty.	Description	
1	3230-11	4	Screw-CARR	
2	92-6726	1	Decal - Hydro Valve	
3	3272-2	1	Pin-Cotter	
4	3256-22	1	Washer-Flat	
5	104-5037	1	Rod-Bypass	
6	104-4310	1	Transaxle-Hydrostatic	
7	3256-23	5	Washer-Flat	
8	3296-29	5	Nut-Lock, NI	
9	322-11	1	Screw-HH	
10	100-1343-03	1	Strap-Torque	
12	614249	1	Strap-Tie	
13	2412-119	1	Clamp-Worm	



Fan Assembly

Ref	Part No.	Qty.	Description
1	104-2164	3	Screw
2	104-2162	1	Fan
3	104-2168	1	Nut-Hex
4	104-2161	1	Pulley
5	94-1903	1	Ring-Retaining
6	92-6543	1	Seal-Lip
7	104-2104	1	Spacer
8	94-1902	1	Ring-Wire, Retaining
9	94-1904	1	Bearing-Shaft, Ball
10	104-2116	1	Stud
11	100-6093	1	Arm-Control
12	104-2163	1	Spacer-Trunnion
13	104-2159	1	Nut-Hex Lock
14	104-2158	1	Screw-Countersunk
15	104-2157	1	Spacer-Locating
16	104-2156	1	Bearing
17	94-1933	1	Washer
18	104-2114	1	Arm-Return
19	104-2119	1	Puck-Adjusting
20	104-2155	1	Screw
21	104-2154	1	Washer
22	104-2170	2	Pin
23	92-6544	1	Seal-Lip
24	104-2113	1	Bushing-Trunnion

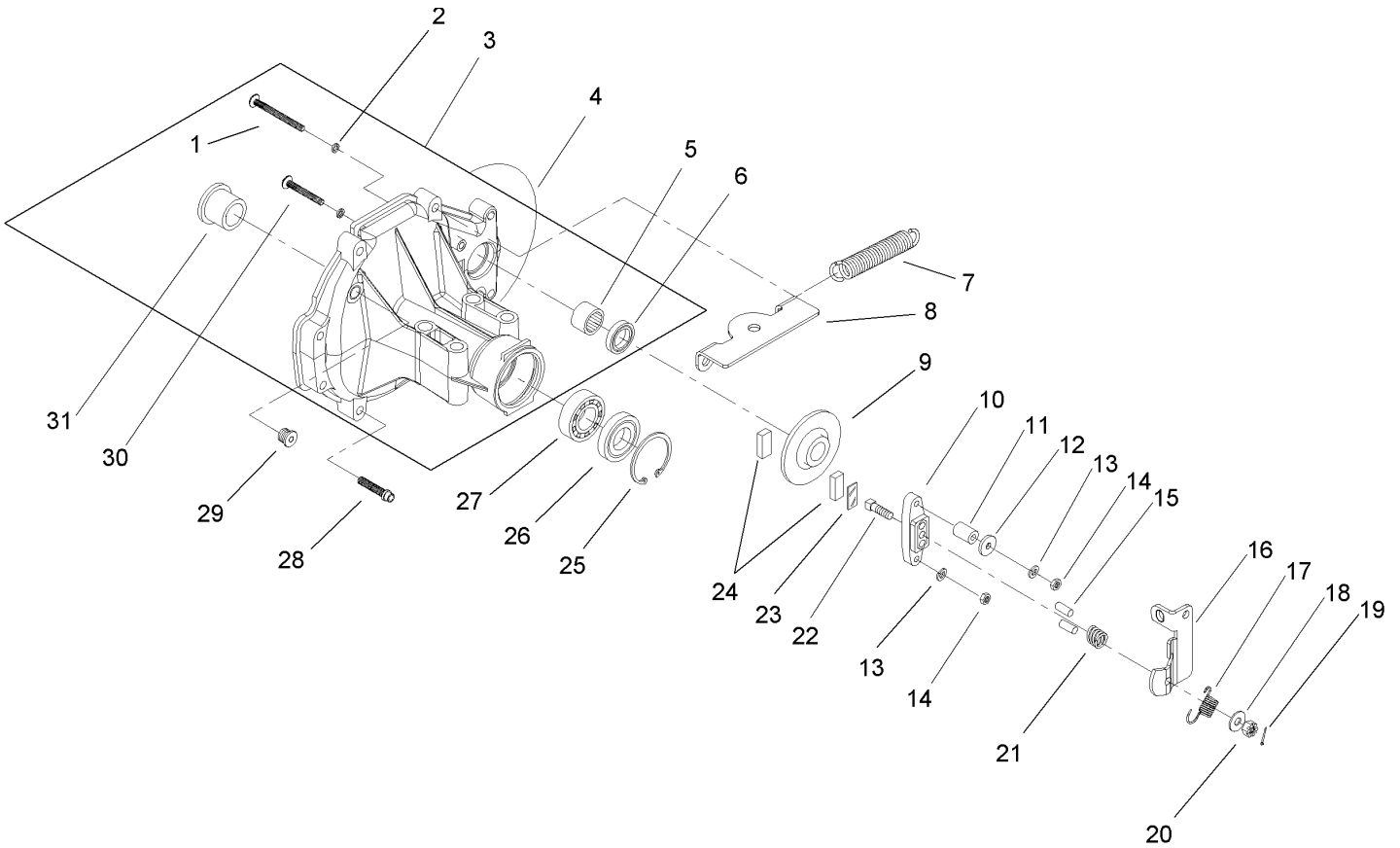
Ref	Part No.	Qty.	Description
25	104-2139	2	Bearing-Flange
26	94-1905	2	Bearing - Cradle
27	104-2101	1	Main Housing ASM
28	104-2143	2	Bearing-Ball
29	104-2144	2	Seal
30	104-2169	2	Ring-Retaining
31	93-3817	1	Fitting-Vent
32	104-2166	1	Fitting
33	104-2165	1	Bushing-Rubber
34	936109	1	Ring-Retaining
35	104-2117	1	Arm-Bypass
36	92-6545	1	Seal-Lip
37	104-2190	1	Kit-Fan/pulley



Differential Gear Assembly

Ref	Part No.	Qty.	Description
1	104-2145	2	Shaft-Axle
2	104-2135	2	Gear-Miter
3	104-2138	1	Plate-Thrust
4	104-2128	4	Pin-Carrier
5	104-2136	2	Gear-Miter
6	104-2137	1	Shaft
7	104-2133	1	Gear-Ring, 51t
8	104-2142	2	Nut-HJ
9	104-2140	2	Washer
10	104-2160	1	Bearing-Sleeve
11	104-2130	1	Gear-Spur, 67t
12	104-2141	1	Washer
13	104-2131	1	Gear-Sun, 21t
14	104-2132	1	Plate-Thrust, Planet
15	104-2129	4	Gear-Planet, 15t
16	104-2134	1	Carrier-Planetary

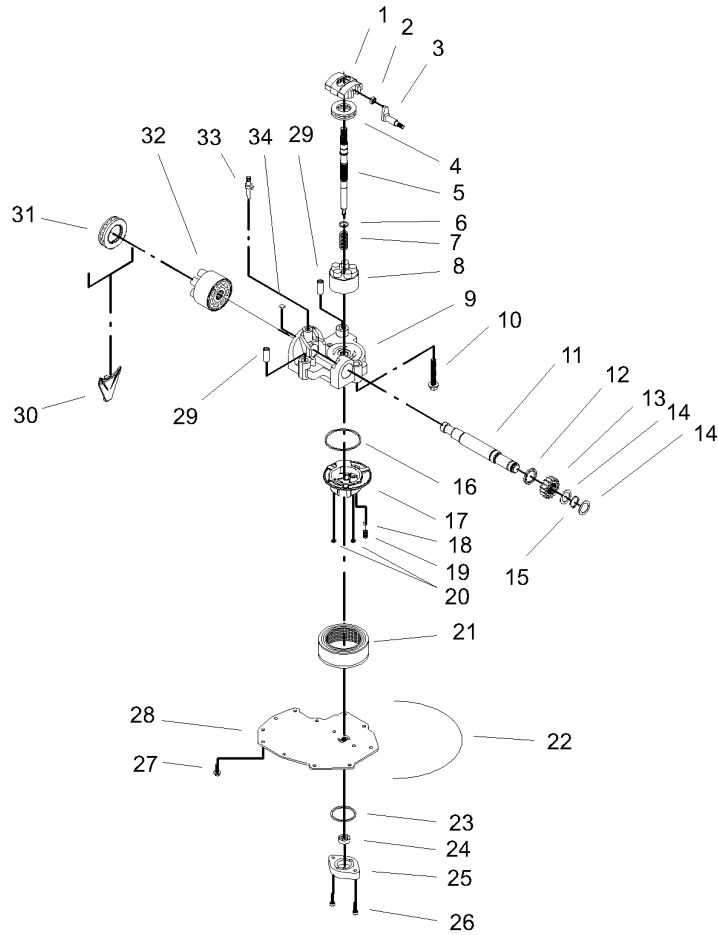
--	--	--	--



RH Housing Assembly

Ref	Part No.	Qty.	Description
1	104-2182	1	Bolt
2	104-2191	4	O-Ring
3	104-2102	1	RH Housing ASM
4	104-2147	1	Sealant
5	104-2149	1	Bearing-Needle
6	104-2152	1	Seal-Lip
7	104-2118	1	Spring-Return
8	100-1349	1	Bracket-Bell Crank
9	104-2153	1	Disk-Brake
10	104-2173	1	Yoke-Brake
11	104-2180	1	Spacer
12	104-2183	1	Washer
13	104-2177	2	Washer-Lock
14	104-2178	2	Nut
15	104-2176	2	Pin-Brake
16	104-0841	1	Arm-Brake
17	104-2184	1	Spring-Arm, Brake
18	5-4460	1	Washer-Pivot
19	3272-7	1	Pin-Cotter
20	93-3807	1	Nut-Castle
21	104-2188	1	Spring-Brake, Anti Drag
22	104-2174	1	Bolt-SQH
23	104-2181	1	Puck-Plate
24	104-2171	2	Puck-Brake

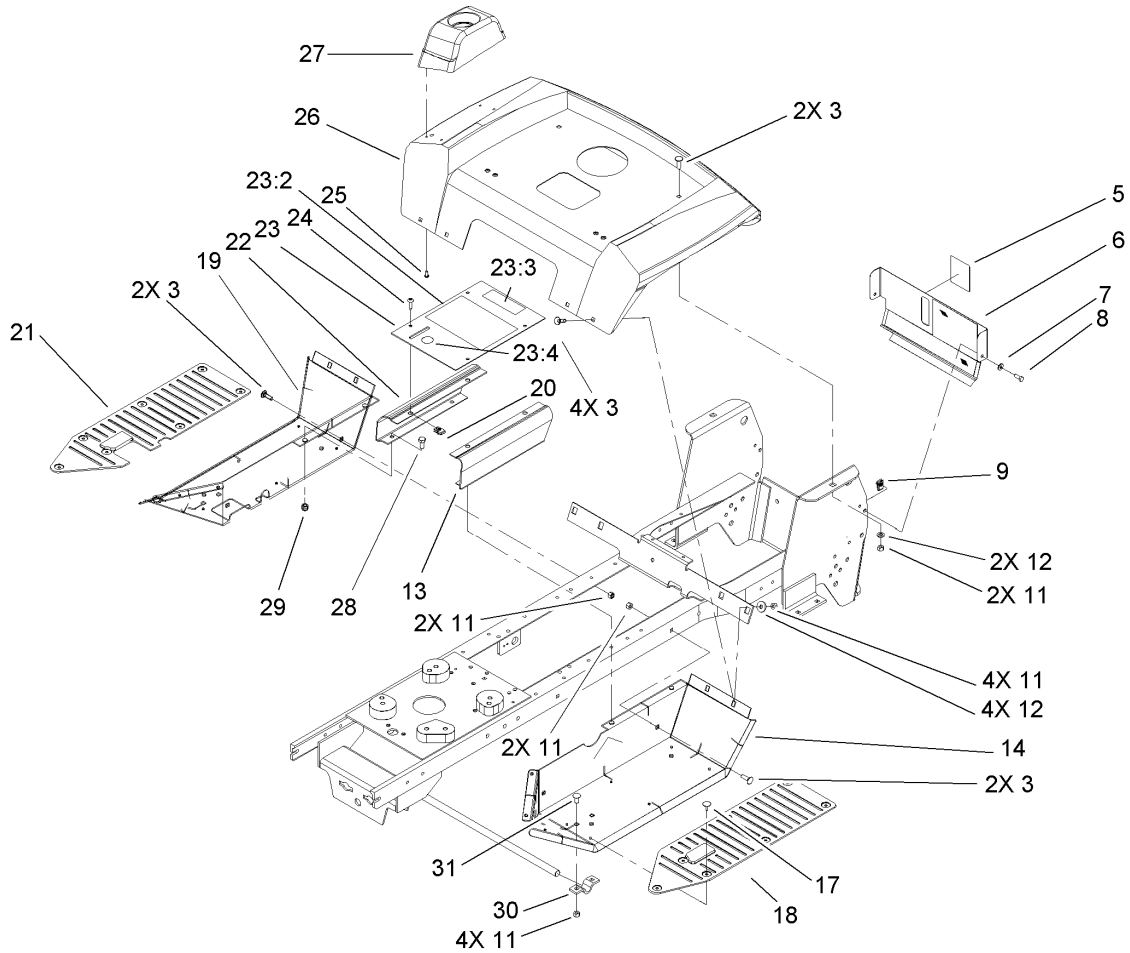
Ref	Part No.	Qty.	Description
25	104-2169	2	Ring-Retaining
26	104-2144	2	Seal
27	104-2143	2	Bearing-Ball
28	104-2148	9	Screw-TTH
29	104-2189	1	Plug-Thread, Straight
30	104-2172	1	Bolt
31	104-2139	2	Bearing-Flange



Cylinder Block Assembly

Ref	Part No.	Qty.	Description
1	94-1907	1	Swashplate-Variable
2	94-1910	1	Guide-Slot
3	104-2112	1	Trunnion ASM
4	94-6922	1	Bearing-Thrust
5	104-2105	1	Shaft-Input
6	94-1937	1	Washer-Block, Thrust
7	94-1936	1	Spring-Block
8	104-2106	1	Cylinder Block ASM
9	104-2103	1	Kit-Center Section
10	94-6926	3	Bolt
11	104-2107	1	Shaft-Output
12	104-2109	1	Spacer
13	104-2110	1	Gear-Pinion, 16t
14	104-2150	2	Washer
15	104-2151	1	Ring-Retaining
16	104-2185	1	O-Ring
17	104-2156	1	Bearing
18	104-2187	1	Ball
19	104-2186	1	Spring-Relief
20	104-2191	4	O-Ring
21	104-2125	1	Filter
22	104-2147	1	Sealant
23	104-2123	1	O-Ring
24	104-2122	1	Gerotor ASM

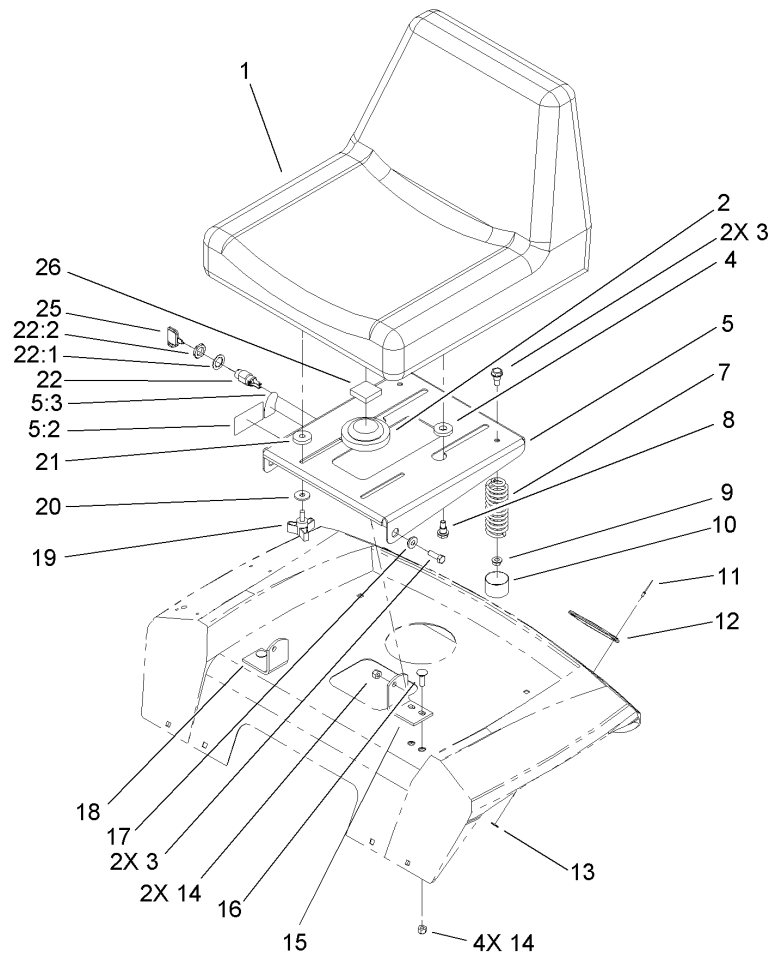
Ref	Part No.	Qty.	Description
25	104-2124	1	Gerotor Cover
26	104-2111	2	Capscrew
27	104-2120	11	Screw
28	104-2121	1	Cover-Lower
29	94-1927	2	Pin
30	104-2127	1	Retainer-Motor Bearing
31	94-6923	1	Bearing-Thrust
32	94-1913	1	Cylinder Block ASM
33	94-1914	1	Actuator-Bypass
34	94-6925	1	Plate-Bypass



Fender and Footrest Assembly

Ref	Part No.	Qty.	Description
3	3230-31	10	Screw-CARR
5	92-6727	1	Decal-Fuel Level
6	99-6765-03	1	Rear Panel ASM
7	3256-22	2	Washer-Flat
8	321-4	2	Screw-HH
9	609900	2	Nut-Speed
11	3296-29	14	Nut-Lock, NI
12	94-2869	6	Washer
13	106-5594-04	1	Channel-Saddle, LH
14	92-6746-04	1	Footrest-LH
17	3290-479	14	Fastener-Panel
18	92-6688	1	Foot Mat-LH
19	92-6747-04	1	Footrest-RH
20	107069	4	Clip
21	92-6687	1	Foot Mat-RH
22	106-5593-04	1	Channel-Saddle, RH
23	107-9203	1	Plate-Saddle, Nh Decal ASM
23:2	93-0302	1	Decal - Danger
23:3	94-1863	1	Decal - Instruction
23:4	107-8495	1	Decal-Parking Brake, New Holland (Ce)
24	92-7020	4	Screw-HH
25	32144-20	4	Screw-Thread Forming
26	106-5583-04	1	Fender ASM

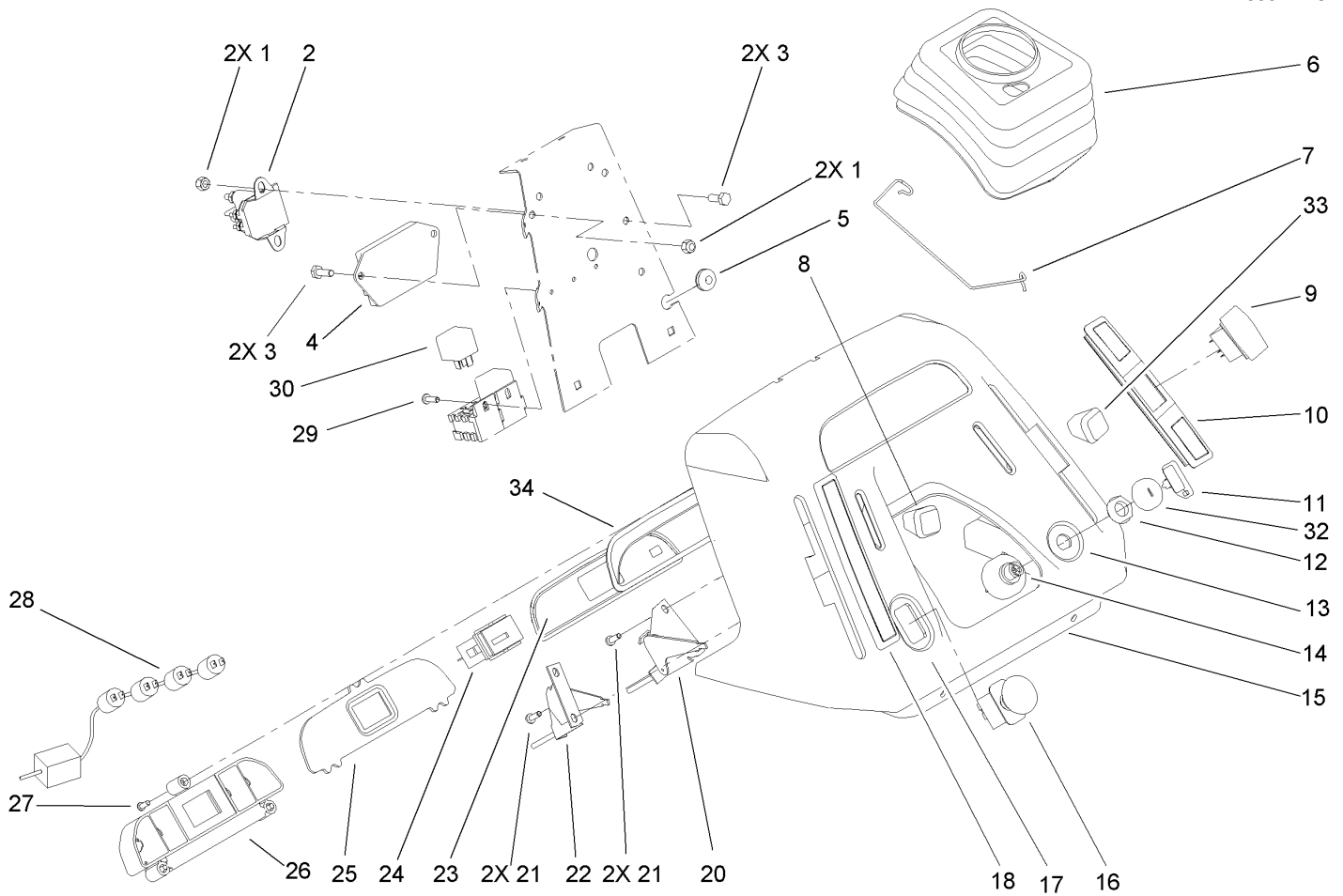
Ref	Part No.	Qty.	Description
27	104-0838	1	Holder-Cup
28	323-4	4	Screw-HH
29	3296-39	4	Nut-Lock, NI
30	106288	2	Clamp
31	3230-1	4	Bolt-CARR



Seat Assembly

Ref	Part No.	Qty.	Description
1	107-9202	1	Seat-High Back
2	100-3524	1	Switch-Seat
3	322-5	4	Screw-HH
4	92-6750	2	Spacer-Nylon
5	104-5029	1	Support Seat ASM
5:2	99-2985	1	Danger-Decal
5:3	99-8894	1	Decal-Nmir Switch
7	92-7054	2	Spring-Compression
8	92-6986	2	Bolt-Shoulder
9	32128-25	2	Nut-HF
10	701178	2	Cap-Protector
11	3290-282	4	Rivet-Pop
12	106557	2	Reflector-Stick On
13	3256-49	4	Washer-Flat
14	3296-29	6	Nut-Lock, NI
15	79-0950-03	1	Bracket-Pivot, RH
16	3230-31	4	Screw-CARR
17	105503	2	Bushing
18	79-0970-03	1	Bracket-Pivot LH
19	700806	2	Knob
20	94-2869	2	Washer
21	109989	2	Spacer-Nylon
22	46-5780	1	Switch-Starter
22:1	3254-5	1	Washer-Tooth

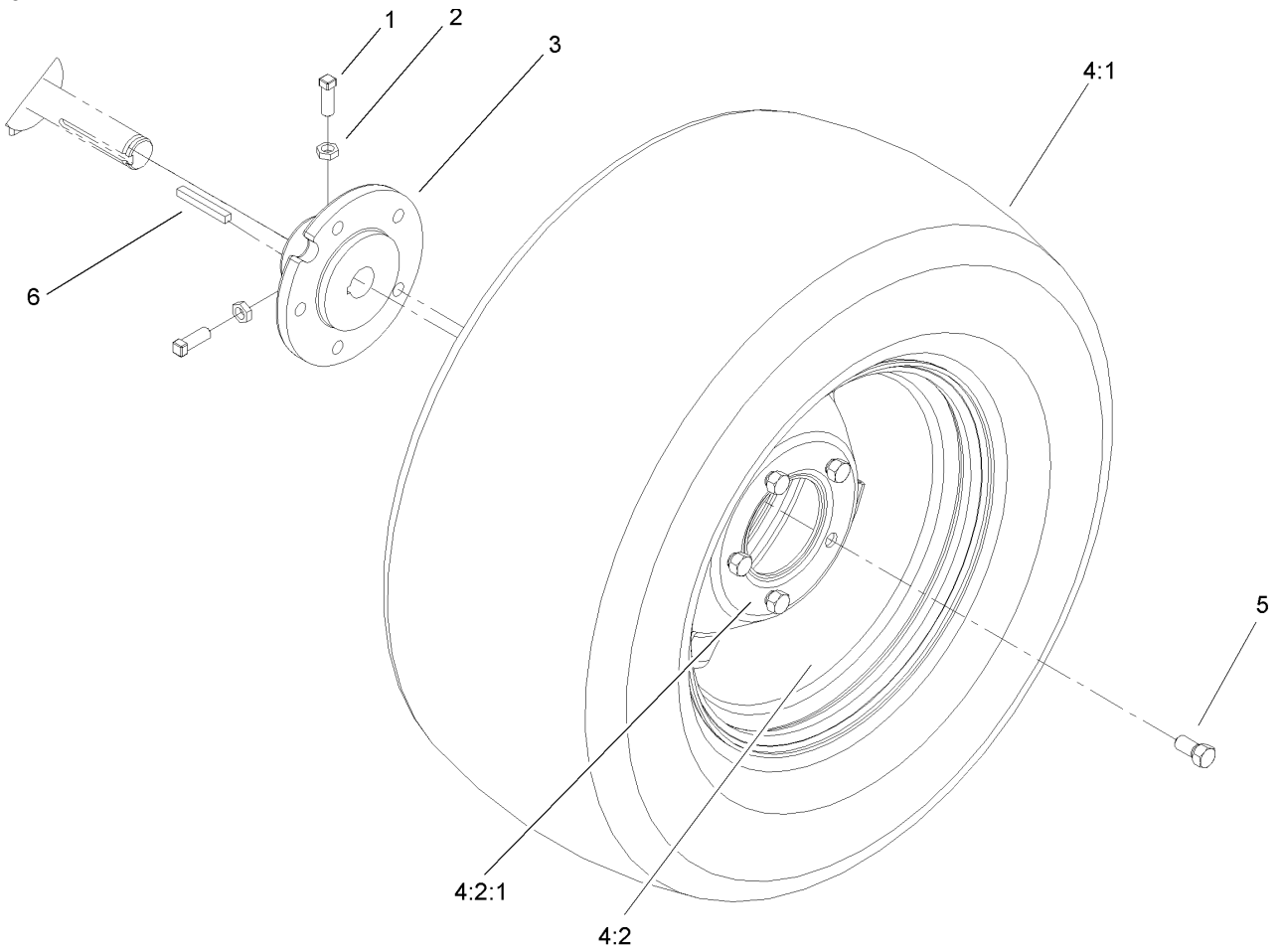
Ref	Part No.	Qty.	Description
22:2	218-461	1	Nut-HH
25	700918	1	Key
26	104-2488	1	Foam-Switch, Seat



Dash Assembly

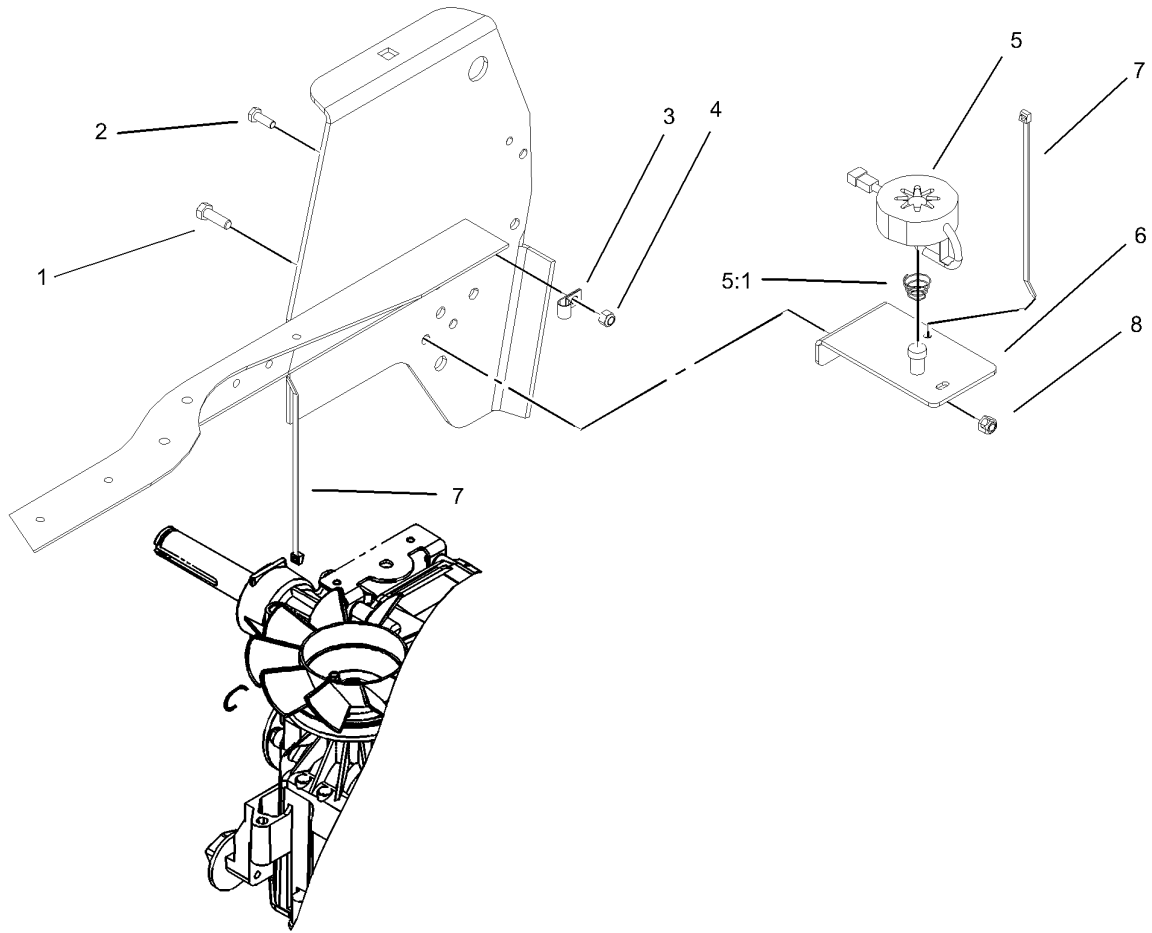
Ref	Part No.	Qty.	Description
1	3296-42	4	Nut-Lock, NI
2	106-8245	1	Solenoid
3	321-4	4	Screw-HH
4	106-8225	1	Module-Nmir, Low Battery
5	237-141	1	Grommet-Rubber
6	92-6680	1	Boot-Steering
7	94-2966	1	Clip - Boot
8	66-0120	1	Knob
9	93-0527	1	Switch - Cruise
10	93-0516	1	Cover - RH Slot
11	700918	1	Key
12	700919	1	Nut
13	92-6739	1	Decal-Throt/ign
14	92-6785	1	Switch-Ignition
15	94-1894	1	Dash
16	93-9999	1	Switch - PTO
17	92-6738	1	Decal-Choke/pto
18	92-6797	1	Cover - Slot, LH
20	92-6784	1	Control-Throttle Twin
21	32144-32	4	Screw
22	106-9872	1	ASM-Control, Choke
23	107-9216	1	Decal-Dash Lens, Nh
24	94-4208	1	Hourmeter
25	92-6705	1	Lens - Dash

Ref	Part No.	Qty.	Description
26	92-6732	1	Housing - Indicator Light
27	94-6961	3	Screw
28	99-8068	1	Harness-4 Lamp
29	32144-8	2	Screw-HH
30	98-7249	3	Relay
32	700960	1	Bezel
33	92-6755	1	Knob - Throttle
34	92-6915	1	Shade - Lens



Rear Wheel Assembly

Ref	Part No.	Qty.	Description
1	3243-5	4	Screw-Set
2	3218-3	4	Nut-Jam
3	93-3659-03	2	Hub-Wheel
① ② 4		2	Rear Wheel & Tire ASM
4:1	99-2334	1	Tire
4:2	92-6757	1	Rim ASM
4:2:1	5108	1	Valve
① 4:99	7007	1	Tube-Inner
5	83-2720	10	Bolt-Lug
6	5-1336	2	Key-Square



Cruise Control Assembly

Ref	Part No.	Qty.	Description
1	322-5	2	Screw-HH
2	321-4	1	Screw-HH
3	2412-89	1	Clamp
4	3296-42	1	Nut-Lock, NI
5	99-8090	1	Magnet ASM
5:1	93-6601	1	Spring-Compression
6	106-5616-03	1	Bracket-Cruise
7	614249	2	Strap-Tie
8	3296-29	2	Nut-Lock, NI

--	--	--	--



NEW HOLLAND

