



NEW HOLLAND

48in Side Discharge Mower New Holland MY Series Yard Tractors

Model No. 715699016 - T04MG0001 and up.

Parts Catalog

Ordering Replacement Parts

To order replacement parts, please supply the part number, the quantity, and the description of each part desired.

Understanding Reference Numbers

Each Identified part in an illustration has a reference number. The reference number for a part also appears in the parts list, along with other information about the part.

This catalog uses two special reference number formats, one to indicate parts in a service assembly and another to indicate the quantity of a given part in an illustration.

Service Assembly Reference Numbers

Parts in service assemblies have reference numbers in the form a:b. The a represents the reference number of the entire service assembly and the b represents a sequential number unique to each part within the service assembly.

For example, a wheel assembly might be identified by reference number 6, the tire by 6:1, the valve by 6:2, and the wheel by 6:3. When you order the assembly identified by reference number 6, you receive all parts identified by reference numbers 6:1, 6:2, and 6:3. However, you may also order any part individually. Reference numbers of this type appear in illustrations and in part lists.

Reference Numbers Indicating Quantity

In an illustration, if a reference number indicates more than one part, the reference number has the form nX y. The n represents the quantity of the part, the X is the multiplication symbol, and the y represents the reference number.

For example, in an illustration, the reference number 2X 37 means that two of the parts identified by reference number 37 are indicated.

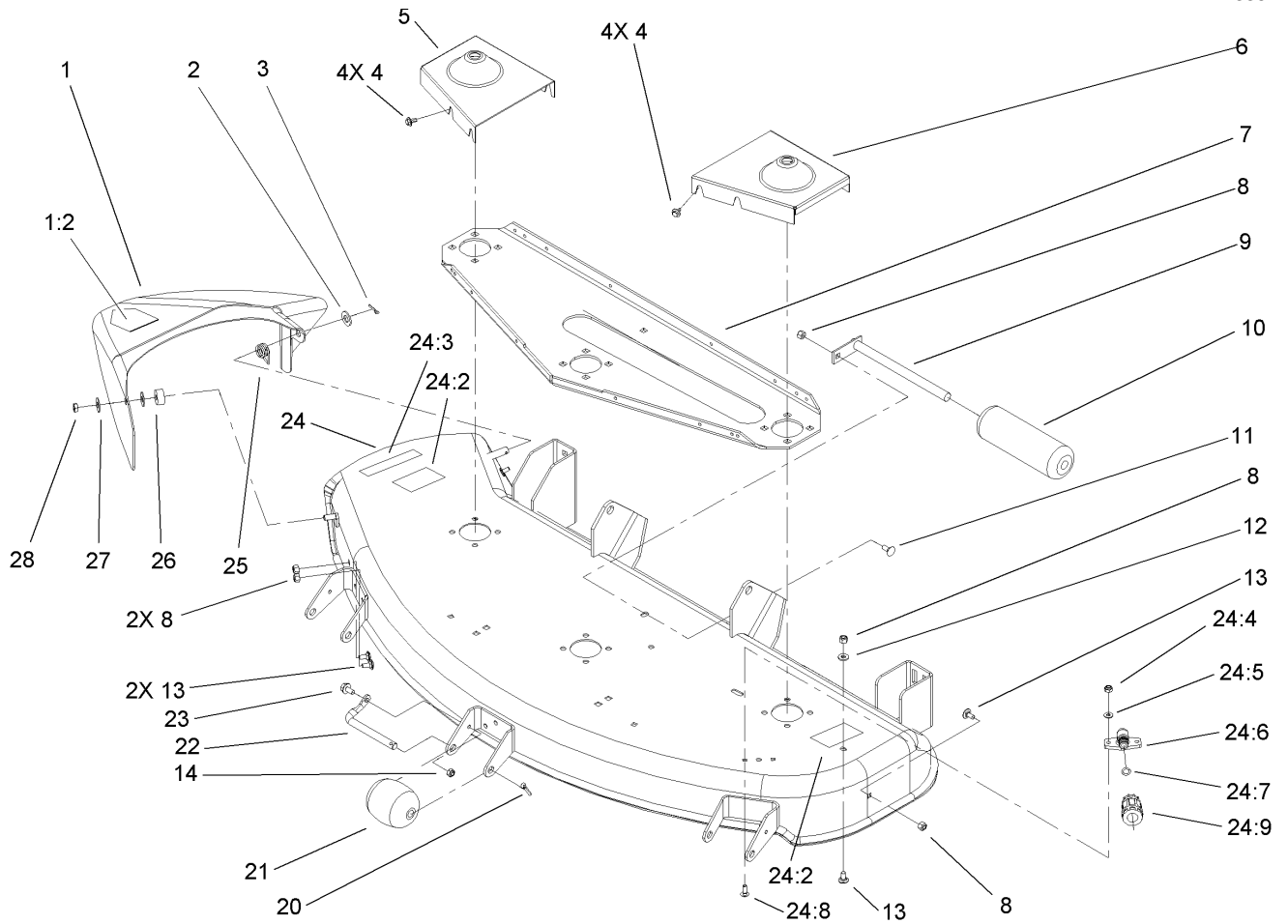
Part Description Abbreviations

Part descriptions in this catalog may include the following abbreviations.

AR.	as required	HYD.	hydraulic
ASM.	assembly	INC.	incorporated
CARR.	carriage	LH.	left hand
DEG.	degrees	NI.	nylon insert
FH.	flat head	PPH.	phillips pan head
GA.	gauge	PTH.	phillips truss head
HF.	hex flange	PTO.	power take off
HH.	hex head	RH.	right hand
HHF.	hex head flange	SFH.	slotted fillister head
HHFTF.	hex head flange thread forming	SHH.	slotted hex head
HJ.	hex jam	SHWH.	slotted hex washer head
HLH.	hex lag head	SPH.	slotted pan head
HOC.	height-of-cut	SQH.	square head
HS.	hex	SRH.	slotted round head
HSBH.	hex socket button head	STD.	standard
HSFH.	hex socket flat head	TAP.	self tapping
HSH.	hex socket head	TTH.	torx truss head
HWH.	hex washer head	WH.	wing head
HWHTF.	hex washer head thread forming		

Contents

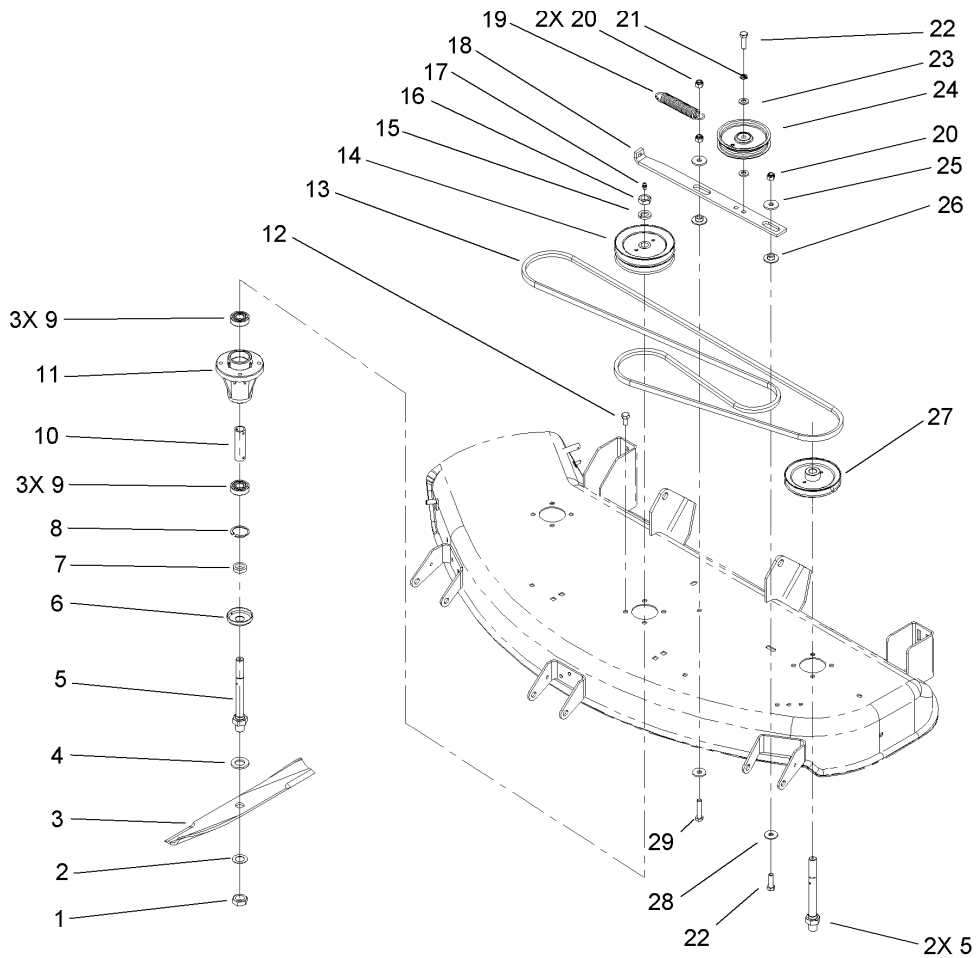
Description	Page
Reinforcement Plate Assembly 3
Spindle and Blade Assembly 4
Deck Suspension Assembly 5
Pulley Box Assembly 6



Reinforcement Plate Assembly

Ref	Part No.	Qty.	Description
1	99-4418	1	Chute ASM
1:2	93-1122	1	Decal-Danger
2	3256-26	1	Washer-Flat
3	3272-10	1	Pin-Cotter
4	46-8560	8	Screw-HHF
5	95-3949-03	1	Cover-Belt, RH
6	95-3950-03	1	Cover-Belt, LH
7	106-5815-04	1	Plate-Reinforcment, Deck
8	3296-29	5	Nut-Lock, NI
9	113603	1	Roller-Shaft
10	113349	1	Roller-Anti Scalp
11	3230-1	1	Bolt-CARR
12	3256-2	1	Washer-Flat
13	3230-18	4	Screw-CARR
14	3296-16	3	Nut-Lock, NI
20	3272-21	3	Pin-Cotter
21	94-1599	3	Roller
22	110847-03	3	Shaft-Roller
23	321-4	3	Screw-HH
24	107-8470	1	Deck/decal ASM
24:2	92-7108	2	Decal-Danger
24:3	92-7109	1	Decal-Caution
24:4	3296-16	2	Nut-Lock, NI
24:5	3256-1	2	Washer-Flat

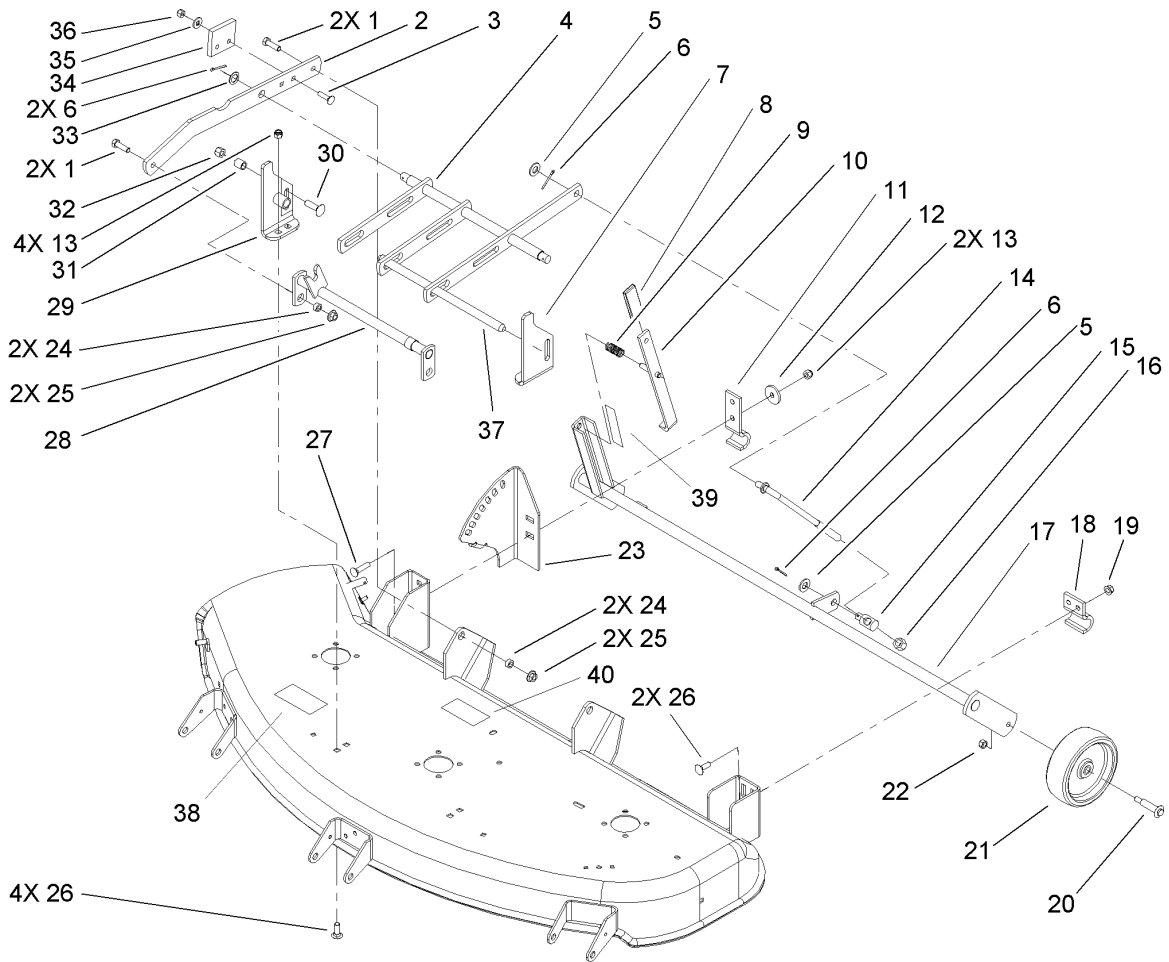
Ref	Part No.	Qty.	Description
24:6	95-2747	1	Fitting-Washout
24:7	46-6290	1	O-Ring
24:8	3229-1	2	Screw-CARR
24:9	95-3270	1	Connector-Hose
25	93-1630	1	Spring-Deflector
26	116080	1	Bushing-Pivot
27	93-1633	2	Washer
28	9152366	1	Nut-HJ



Spindle and Blade Assembly

Ref	Part No.	Qty.	Description
1	3220-7	3	Nut-Jam
2	9202574	3	Washer-Flat
3	106637	3	Blade-3 Pack
4	3256-28	3	Washer-Flat
5	112674	3	Shaft-Spindle
6	106067	3	Cup-Spindle
7	106068	3	Spacer-Blade
8	32120-42	3	Ring-Retaining
9	109966	6	Bearing-Ball
10	116085	3	Tube
11	114568	3	Housing-Spindle
12	9080326	12	Screw-HH
13	1594	1	V-Belt
14	110147	1	Pulley-Mower, 48in
15	3253-8	3	Washer-Lock
16	3220-6	3	Nut-Jam
17	302-5	3	Fitting-Grease
18	106120	1	Bar-Idler Support
19	100071	1	Spring-Extension
20	3296-39	3	Nut-Lock, NI
21	3253-21	1	Washer-Lock
22	323-7	2	Screw-HH
23	3256-24	2	Washer-Flat
24	93-1622	1	Pulley-Idler

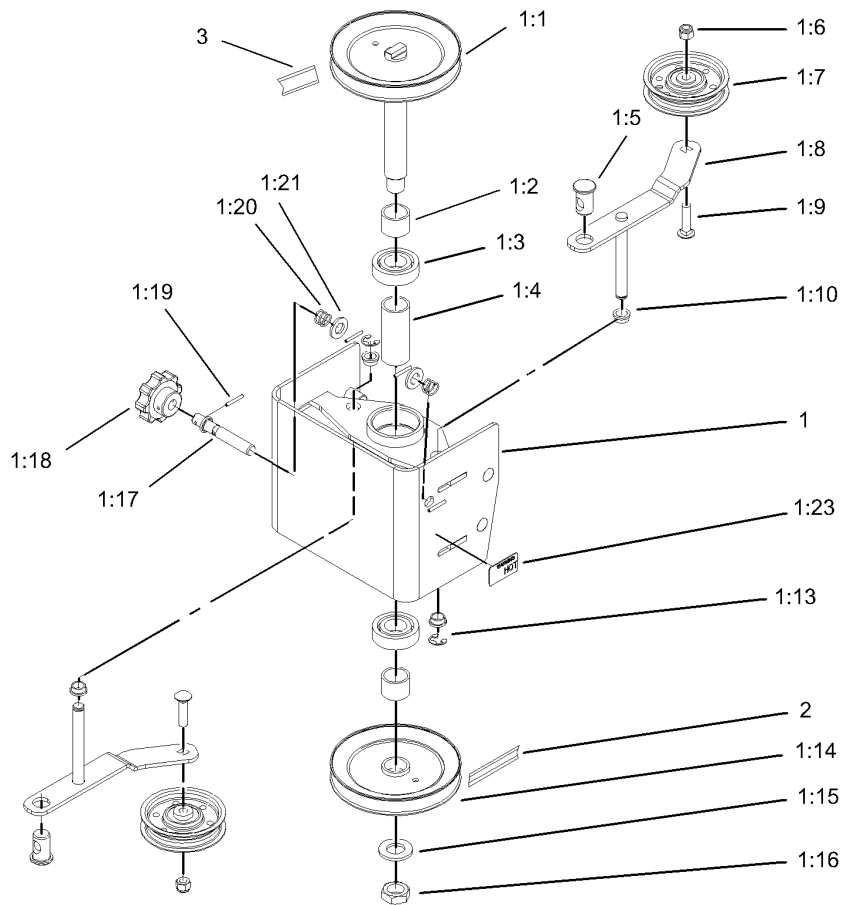
Ref	Part No.	Qty.	Description
25	107675	2	Washer
26	107674	2	Spacer-Bushing
27	110146	2	Pulley-Blade, Drive
28	52-2861	2	Washer
29	323-9	1	Screw-HH



Deck Suspension Assembly

Ref	Part No.	Qty.	Description
1	323-7	4	Screw-HH
2	106-5641-03	2	Bar-Draft
3	3230-3	4	Screw-CARR
4	92-0981-03	1	Bar-Leveler
5	3256-26	2	Washer-Flat
6	3272-12	4	Pin-Cotter
7	106-5603-03	1	Bracket-Front Deck, LH
8	102597	1	Grip
9	101853	1	Spring-Compression
10	94-7965-03	1	Lever-HOC
11	110837-03	1	Bracket-Pivot
12	98-3479	1	Washer-Support
13	3296-39	6	Nut-Lock, NI
14	106-4098	1	Rod-Adjustment
15	94-7802	1	Trunnion
16	3296-23	1	Nut-Lock, NI
17	106-4096-03	1	Whl Supp-48 In Deck
18	94-7543-03	1	Clamp
19	32128-40	2	Nut-Flange
20	92-1057	2	Bolt-Shoulder
21	95-4102	2	Wheel
22	32146-2	2	Nut-Lock, NI
23	106-5605-03	1	Bracket-Quadrant, 48 In
24	114127	4	Spacer

Ref	Part No.	Qty.	Description
25	102809	4	Locknut-Flange
26	3231-2	6	Screw-CARR
27	3231-4	2	Screw-CARR
28	106-5644-03	1	Hitch ASM
29	106-5604-03	1	Bracket-Front Deck, RH
30	3232-3	2	Screw-CARR
31	9793604	2	Spacer
32	3296-48	2	Nut-Lock, NI
33	3256-69	2	Washer-Flat
34	102322	2	Bumper
35	3256-3	4	Washer-Flat
36	3296-29	4	Nut-Lock, NI
37	102570-03	1	Shaft-Front
38	106-5801	1	Decal-Belt Routing, PTO
39	111655	1	Decal-HOC
40	98-3480	1	Decal-Belt Routing



Pulley Box Assembly

Ref	Part No.	Qty.	Description
1	106-5562	1	Pulley Box ASM
1:1	106-5625	1	Upper Pulley ASM
1:2	106-5634	2	Spacer-Pulley
1:3	251-82	2	Bearing-Ball
1:4	106-5633	1	Spacer-Bearing
1:5	105-1397	2	Ferrule-Adjuster
1:6	3296-22	2	Nut-Lock NI
1:7	92-7101	2	Pulley-Flat Idler
1:8	106-5636	2	Idler Arm ASM
1:9	3231-4	2	Screw-CARR
1:10	256-156	4	Bushing-Flange
1:13	32120-47	2	Ring-Retaining, External
1:14	106-5627	1	Lower Pulley ASM
1:15	3256-28	1	Washer-Flat
1:16	3220-7	1	Nut-Jam
1:17	106-4024	2	Rod-Tension
1:18	105-1492	2	Knob-Adjusting
1:19	933156	4	Pin-Roll
1:20	106-9892	2	Spring-Compression
1:21	106-9888	2	Washer-Flat
1:23	65-2690	2	Decal-Surface, Hot
2	106-5814	1	Belt-Drive, 48in
3	106-5631	1	Belt-PTO

NOTES



NEW HOLLAND

