



**Count on it.**

**Parts Catalog**

**72in Z Master® 4000 Series  
Riding Mower**

Model No. 74022—Serial No. 414300000 and Up



# Ordering Replacement Parts

To order replacement parts, please supply the part number, the quantity, and the description of each part desired.

## Understanding Reference Numbers

Each identified part in an illustration has a reference number. The reference number for a part also appears in the parts list, along with other information about the part.

This catalog uses two special reference number formats, one to indicate parts in a service assembly and another to indicate the quantity of a given part in an illustration.

## Service Assembly Reference Numbers

Parts in service assemblies have reference numbers in the form a:b. The a represents the reference number of the entire service assembly and the b represents a sequential number unique to each part within the service assembly.

For example, a wheel assembly might be identified by reference number 6, the tire by 6:1, the valve by 6:2, and the wheel by 6:3. When you order the assembly identified by reference number 6, you receive all parts identified by reference numbers 6:1, 6:2, and 6:3. However, you may also order any part individually. Reference numbers of this type appear in illustration and in parts lists.

## Reference Numbers Indicating Quantity

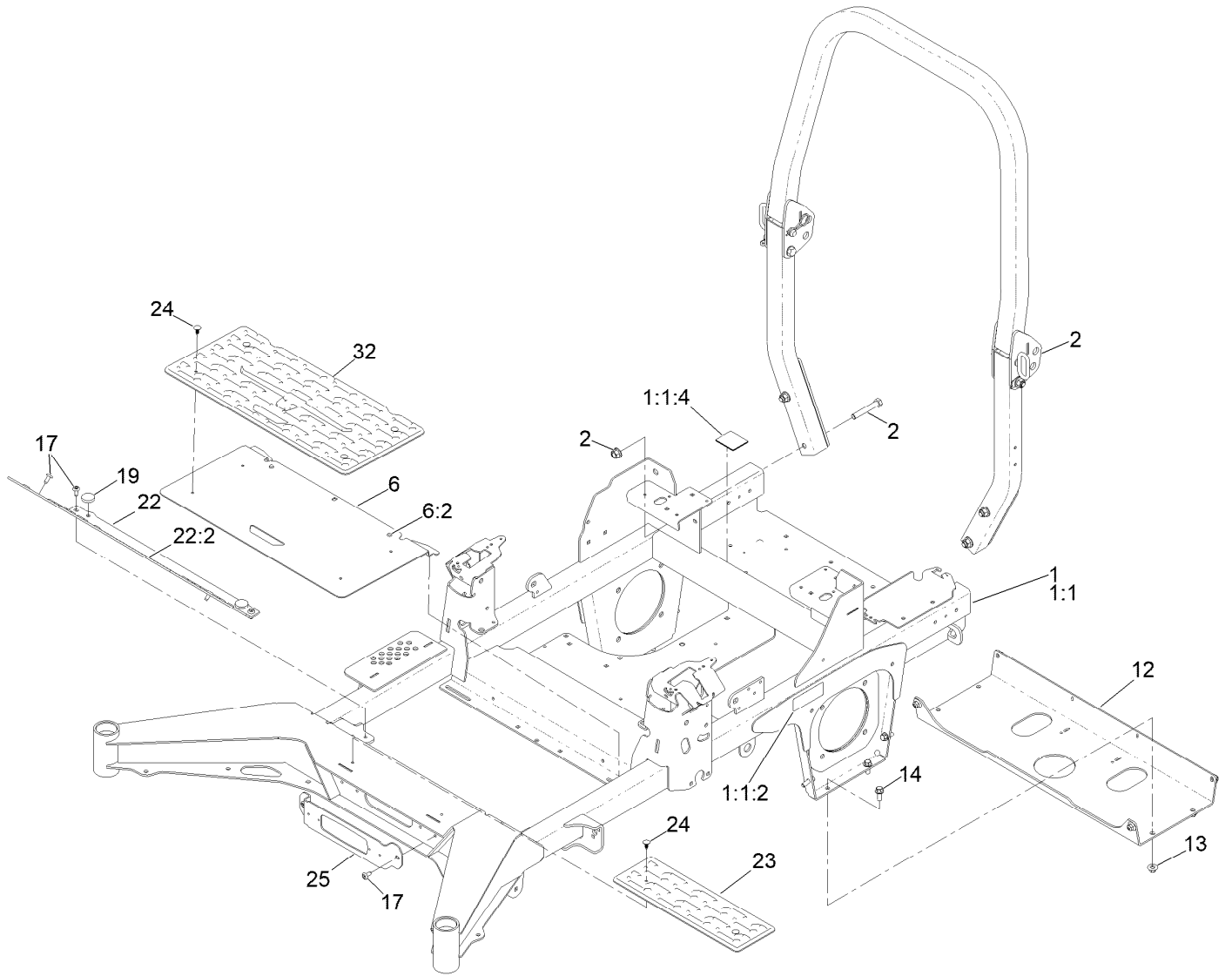
In an illustration, if a reference number indicates more than one part, the reference number has the form nX y. The n represents the quantity of the part, the X is the multiplication symbol, and the y represents the reference number.

For example, in an illustration, the reference number 2X 37 means that two of the parts identified by reference number 37 are indicated.

# Contents

|  |    |
|--|----|
| Frame and Roll-Over Protection System Assembly .....   | 4  |
| Roll-Over Protection System Assembly No. 139-8062..... | 6  |
| Hydro Assembly .....                                   | 8  |
| RH Transaxle Assembly No. 138-6077 .....               | 10 |
| LH Transaxle Assembly No. 138-6076.....                | 12 |
| Throttle Cable and Guard Assembly .....                | 14 |
| Fuel System Assembly .....                             | 16 |
| Fuel Tank Assembly No. 139-6722 .....                  | 18 |
| Seat Mount Assembly .....                              | 20 |
| Seat Assembly No. 144-2632 .....                       | 22 |
| Motion Control Assembly .....                          | 24 |
| Left and Right Control Arm Assembly .....              | 26 |
| Caster Wheel Assembly .....                            | 28 |
| Caster Wheel and Fork Assembly .....                   | 30 |
| Rear Wheel Assembly .....                              | 32 |
| Electrical Assembly .....                              | 34 |
| Wire Harness Assembly No. 139-8078.....                | 36 |
| Deck Lift Assembly.....                                | 38 |
| Deck Strut Assembly No. 140-1179 .....                 | 40 |
| Engine, Clutch and Muffler Assembly .....              | 42 |
| Decal Assembly .....                                   | 44 |
| Deck Assembly.....                                     | 46 |
| Spindle Assembly No. 137-9780.....                     | 48 |
| Deck Decal Assembly No. 145-1971 .....                 | 50 |
| Deflector Assembly No. 144-2635.....                   | 52 |
| Idler Arm Assembly No. 139-1087 .....                  | 54 |
| Attachments and Accessories .....                      | 56 |

# Frame and Roll-Over Protection System Assembly



# Frame and Roll-Over Protection System Assembly (continued)

| <i>Ref.</i> | <i>Part Number</i> | <i>Qty.</i> | <i>Description</i>     | <i>Ref.</i> | <i>Part Number</i> | <i>Qty.</i> | <i>Description</i>     |
|-------------|--------------------|-------------|------------------------|-------------|--------------------|-------------|------------------------|
| 1           | 145-5786           | 1           | Frame ASM              | 14          | 3234-42            | 8           | Screw-HHF              |
| 1:1         |                    | 1           | Frame-72 XI ●          | 17          | 138-9753           | 6           | Screw                  |
| 1:1:2       | 126-4363           | 2           | Decal-Warning          | 19          | 109-9233           | 2           | Bumper-Push-In, Rubber |
| 1:1:4       | 144-2687           | 1           | Decal, Belt Routing    | 22          | 140-4995           | 1           | Toeboard               |
| 2           | 139-8062           | 1           | ASM-ROPS               | 22:2        | 126-8383           | 1           | Decal-Danger           |
| 6           | 138-6098           | 1           | Floor Pan ASM          | 23          | 140-4992           | 1           | Step                   |
| 6:2         | 109-9233           | 2           | Bumper-Push-In, Rubber | 24          | 117-2382           | 6           | Plug-Plastic           |
| 12          | 139-6717-01        | 1           | Plate-Hydro            | 25          | 140-4994-01        | 1           | Bracket-Light          |
| 13          | 109-6658           | 8           | Nut-Flange, NI         | 32          | 140-7950           | 1           | Floormat-Fixed Seat    |

● Not serviced separately

# Roll-Over Protection System Assembly No. 139-8062

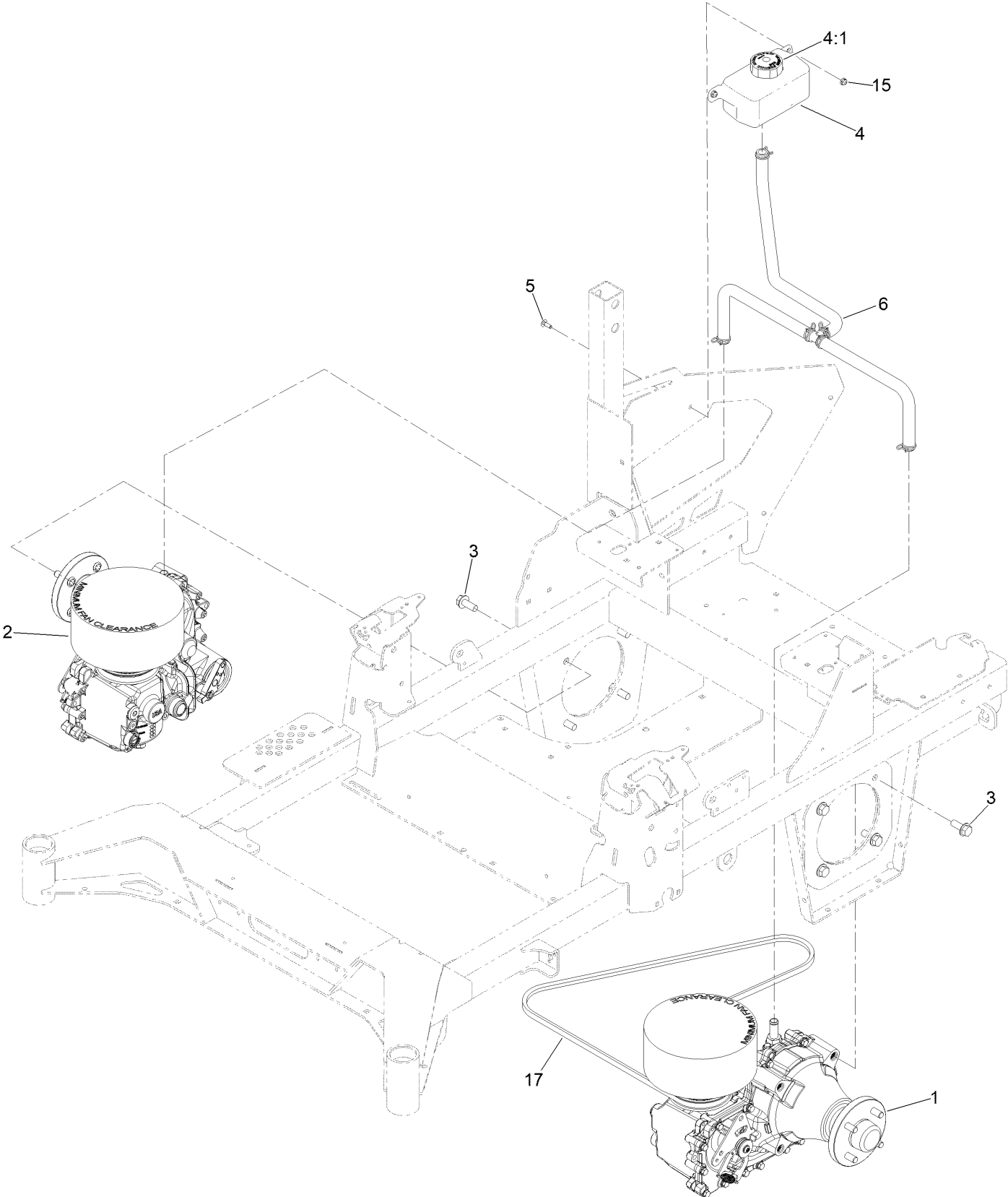


# Roll-Over Protection System Assembly No. 139-8062 (continued)

| <i>Ref.</i> | <i>Part Number</i> | <i>Qty.</i> | <i>Description</i>  | <i>Ref.</i> | <i>Part Number</i> | <i>Qty.</i> | <i>Description</i> |
|-------------|--------------------|-------------|---------------------|-------------|--------------------|-------------|--------------------|
| 1           |                    | 1           | Upper ROPS ASM ●    | 5           | 103-4553           | 2           | ROPS Fold Pin ASM  |
| 1:2         | 107-3069           | 1           | Decal-Warning       | 6           | 99-5107            | 6           | Nut-HF Nylock      |
| 2           |                    | 1           | RH Lower ROPS ASM ● | 7           | 109-5337           | 2           | Bumper-ROPS        |
| 3           |                    | 1           | LH Lower ROPS ASM ● | 8           | 109-9505           | 4           | Washer-Spring      |
| 4           | 126-9209           | 2           | Bolt-Shoulder       | 9           | 325-13             | 4           | Screw-HH           |

● Not serviced separately

# Hydro Assembly

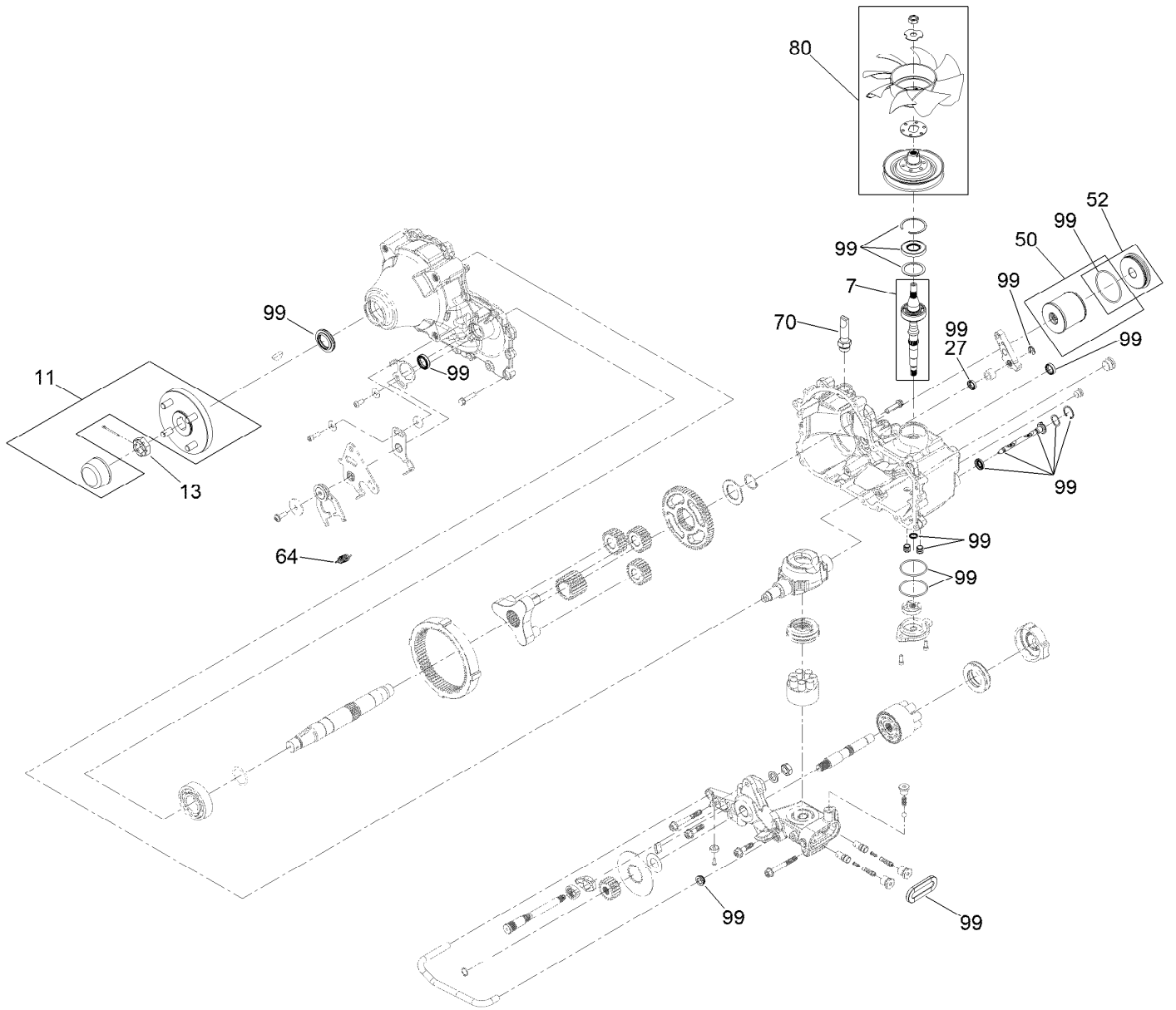




## Hydro Assembly (continued)

| <i>Ref.</i> | <i>Part Number</i> | <i>Qty.</i> | <i>Description</i>      | <i>Ref.</i> | <i>Part Number</i> | <i>Qty.</i> | <i>Description</i>  |
|-------------|--------------------|-------------|-------------------------|-------------|--------------------|-------------|---------------------|
| 1           | 138-6076           | 1           | LH Transaxle ASM        | 5           | 3229-28            | 2           | Screw-CARR          |
| 2           | 138-6077           | 1           | RH Transaxle ASM        | 6           | 140-1225           | 1           | ASM-Hose, Hydraulic |
| 3           | 3234-38            | 8           | Screw-HHF               | 15          | 104-7201           | 2           | Nut-HF, NI          |
| 4           | 119-9908           | 1           | Hydraulic Reservoir ASM | 17          | 140-7994           | 1           | Belt-V              |
| 4:1         | 109-3320           | 1           | Cap-Reservoir, HYD      |             |                    |             |                     |

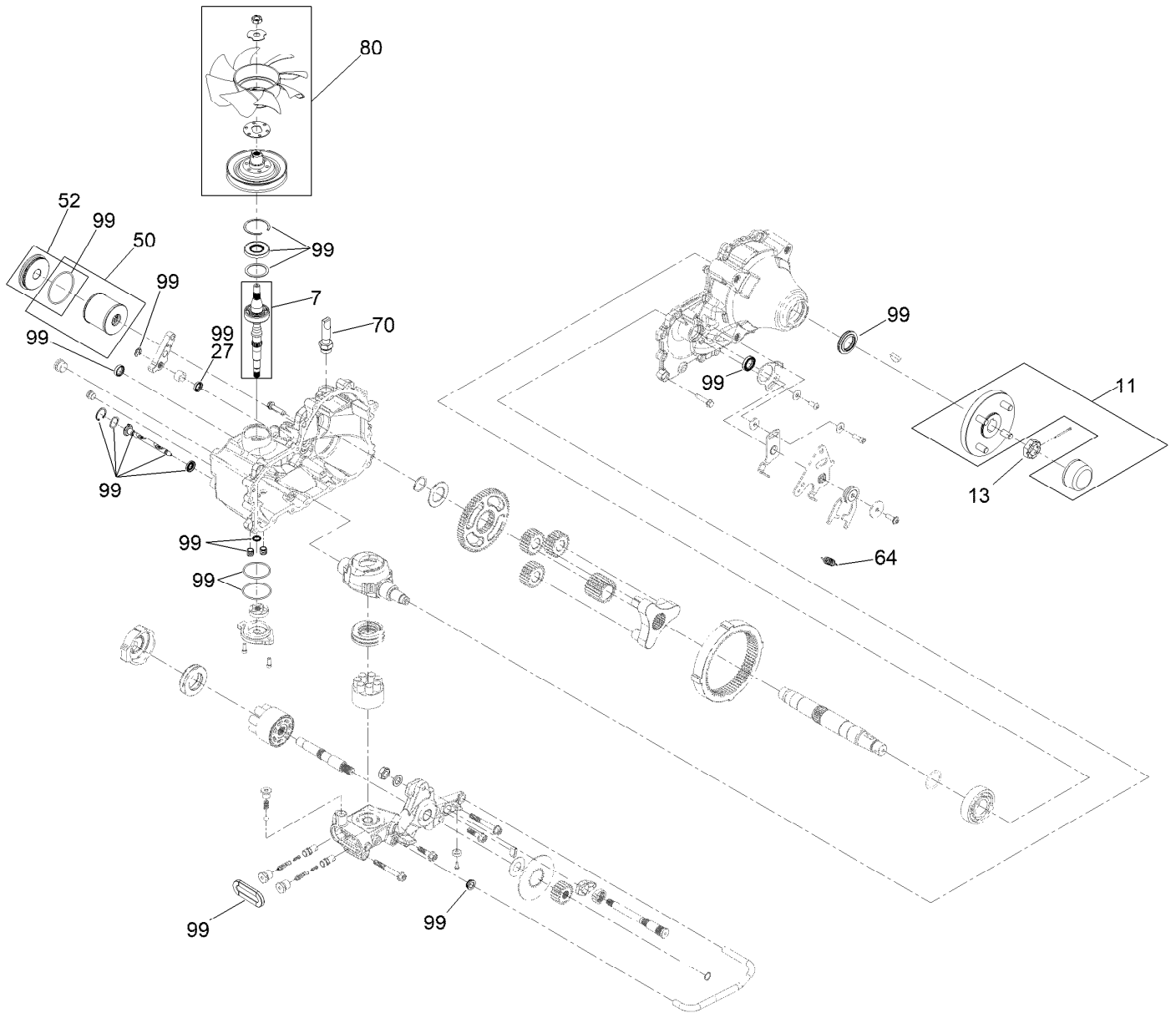
# RH Transaxle Assembly No. 138-6077



## RH Transaxle Assembly No. 138-6077 (continued)

| <i>Ref.</i> | <i>Part Number</i> | <i>Qty.</i> | <i>Description</i> | <i>Ref.</i> | <i>Part Number</i> | <i>Qty.</i> | <i>Description</i>          |
|-------------|--------------------|-------------|--------------------|-------------|--------------------|-------------|-----------------------------|
| 7           | 147-1672           | 1           | Kit, Input Shaft   | 52          | 144-6604           | 1           | Kit, Filter Plug            |
| 11          | 144-6594           | 1           | Hub-4 Bolt         | 64          | 125-4684           | 1           | Spring-Extension            |
| 13          | 144-6595           | 1           | Nut, Slotted       | 70          | 144-6601           | 1           | Fitting-5/8 Beaded, 7/8 SAE |
| 27          | 145-3678           | 1           | Seal, Lip-Brake    | 80          | 144-6602           | 1           | Kit, Fan And Pulley         |
| 50          | 144-6603           | 1           | Kit, Filter        | 99          | 145-3683           | 1           | Kit-Overhaul Seal           |

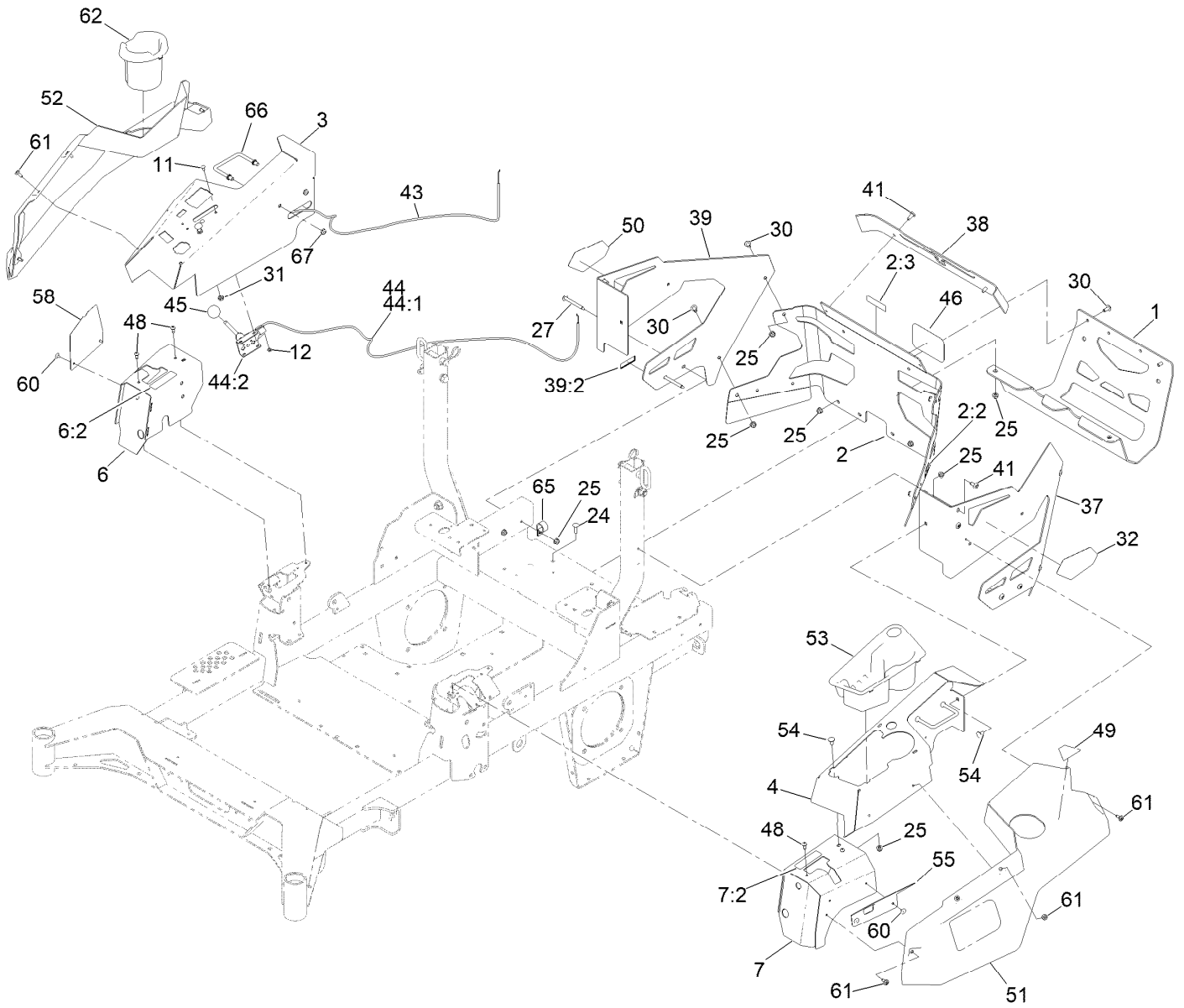
# LH Transaxle Assembly No. 138-6076



## LH Transaxle Assembly No. 138-6076 (continued)

| <i>Ref.</i> | <i>Part Number</i> | <i>Qty.</i> | <i>Description</i> | <i>Ref.</i> | <i>Part Number</i> | <i>Qty.</i> | <i>Description</i>          |
|-------------|--------------------|-------------|--------------------|-------------|--------------------|-------------|-----------------------------|
| 7           | 147-1672           | 1           | Kit, Input Shaft   | 52          | 144-6604           | 1           | Kit, Filter Plug            |
| 11          | 144-6594           | 1           | Hub-4 Bolt         | 64          | 125-4684           | 1           | Spring-Extension            |
| 13          | 144-6595           | 1           | Nut, Slotted       | 70          | 144-6601           | 1           | Fitting-5/8 Beaded, 7/8 SAE |
| 27          | 145-3678           | 1           | Seal, Lip-Brake    | 80          | 144-6602           | 1           | Kit, Fan And Pulley         |
| 50          | 144-6603           | 1           | Kit, Filter        | 99          | 145-3683           | 1           | Kit-Overhaul Seal           |

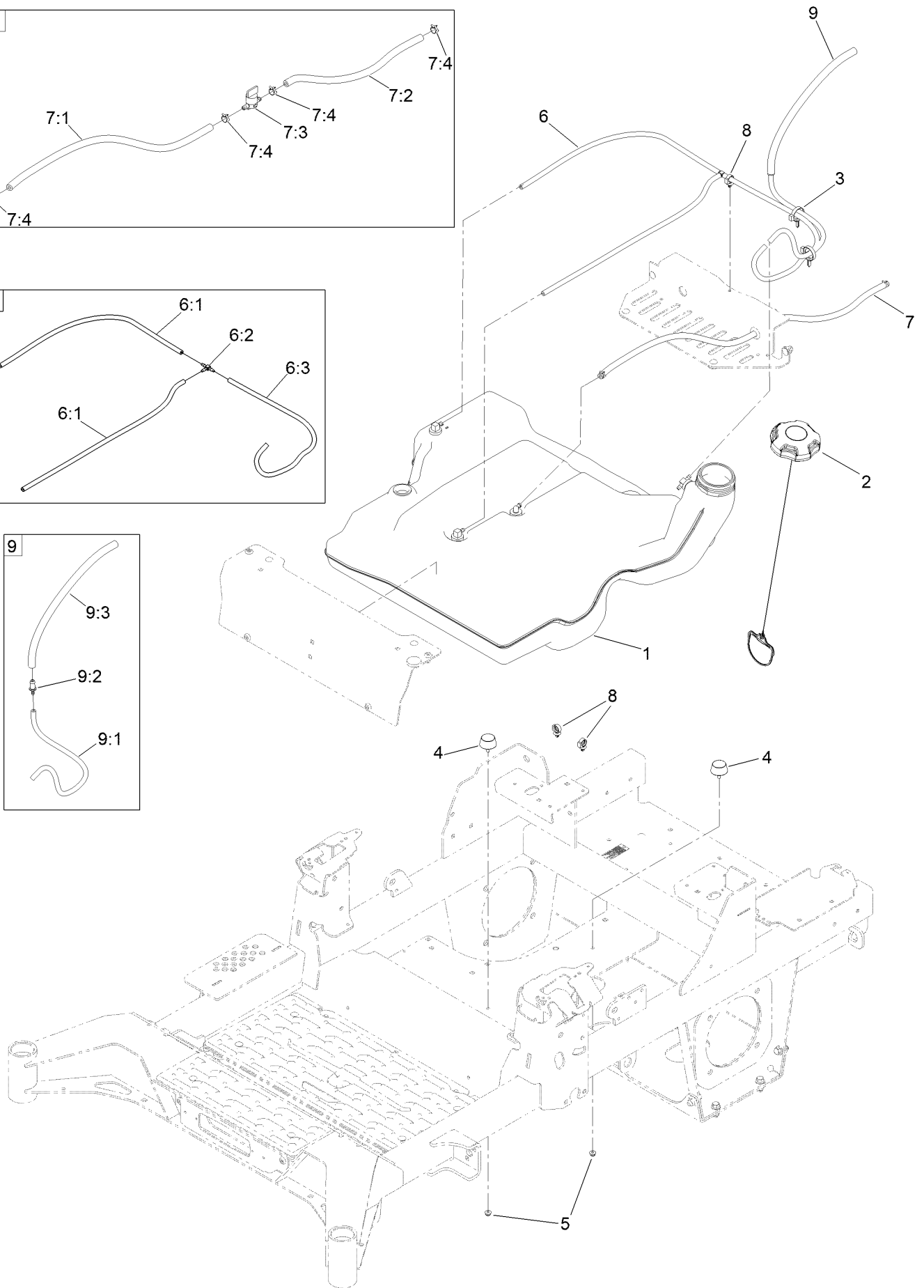
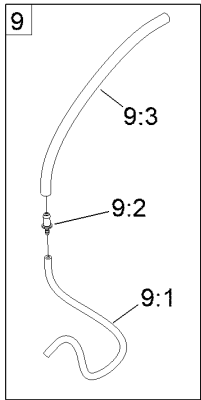
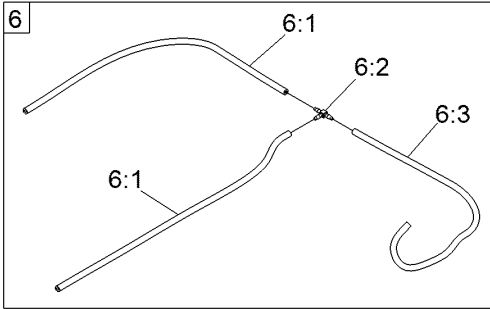
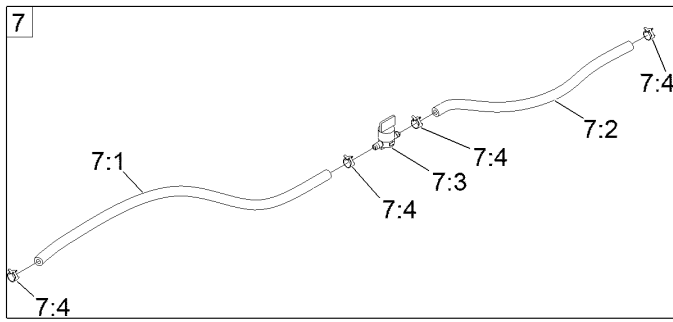
# Throttle Cable and Guard Assembly



## Throttle Cable and Guard Assembly (continued)

| <i>Ref.</i> | <i>Part Number</i> | <i>Qty.</i> | <i>Description</i>      | <i>Ref.</i> | <i>Part Number</i> | <i>Qty.</i> | <i>Description</i>    |
|-------------|--------------------|-------------|-------------------------|-------------|--------------------|-------------|-----------------------|
| 1           | 145-3686-03        | 1           | Guard-Muffler [black]   | 41          | 138-9753           | 6           | Screw                 |
| 2           | 147-6259           | 1           | Rear Guard ASM          | 43          | 144-2647           | 1           | Cable-Choke Control   |
| 2:2         | 106-5517           | 2           | Decal-Warning           | 44          | 110-5727           | 1           | Throttle Control ASM  |
| 2:3         | 147-7364           | 1           | Decal-Hitch             | 44:1        | 112-2334           | 1           | Lever-Throttle        |
| 3           | 144-6551-01        | 1           | Console-RH              | 44:2        | 110-5728           | 1           | Cable-Throttle        |
| 4           | 144-2638-01        | 1           | Console-LH              | 45          | 1-603175           | 1           | Knob-Ball             |
| 6           | 140-4867           | 1           | RH Cover ASM            | 46          | 105-8278           | 1           | Decal                 |
| 6:2         | 99-8936            | 1           | Decal-Control, Motion   | 48          | 87-6620            | 4           | Screw-Tph Thd Form    |
| 7           | 140-4866           | 1           | LH Cover ASM            | 49          | 126-9939           | 1           | Decal-Fill, Fuel      |
| 7:2         | 99-8936            | 1           | Decal-Control, Motion   | 50          | 140-7987           | 1           | Decal-4000 Series, RH |
| 11          | 1-807513           | 2           | Bolt-CARR               | 51          | 140-7979           | 1           | Side Pod, LH          |
| 12          | 3296-2             | 2           | Nut-Lock, NI            | 52          | 140-7980           | 1           | Side Pod, RH          |
| 24          | 3230-22            | 2           | Screw-CARR              | 53          | 140-7968           | 1           | Cup Holder            |
| 25          | 104-8300           | 16          | Nut-HF, NI              | 54          | 3230-18            | 4           | Screw-CARR            |
| 27          | 126-6267           | 4           | Screw-TTH               | 55          | 140-7996-03        | 1           | Plate-Cover, LH Front |
| 30          | 126-6268           | 6           | Screw-TTH               | 58          | 140-7998-03        | 1           | Plate-Cover, RH Front |
| 31          | 3220-3             | 1           | Nut-HJ                  | 60          | 130-8451           | 4           | Rivet-Trifold         |
| 32          | 139-1149           | 1           | Decal - 4000 Series, LH | 61          | 120-7950           | 8           | Screw-Torx            |
| 37          | 145-6964-01        | 1           | Guard-Rear, LH          | 62          | 140-8019           | 1           | Cupholder-RH          |
| 38          | 140-1221-01        | 1           | Guard-Rear, Top         | 65          | 110-0824           | 1           | R-Clamp               |
| 39          | 145-7012           | 1           | RH Rear Guard ASM       | 66          | 144-2642           | 2           | Rod-Support, Pod      |
| 39:2        | 133-8062           | 1           | Decal-Spark Arrestor    | 67          | 3296-59            | 4           | Nut-Lock, NI          |

# Fuel System Assembly





## Fuel System Assembly (continued)

| <i>Ref.</i> | <i>Part Number</i> | <i>Qty.</i> | <i>Description</i>   | <i>Ref.</i> | <i>Part Number</i> | <i>Qty.</i> | <i>Description</i>        |
|-------------|--------------------|-------------|----------------------|-------------|--------------------|-------------|---------------------------|
| 1           | 139-6722           | 1           | Fuel Tank ASM        | 7:1         | 109-0298           | 1           | Line-Fuel                 |
| 2           | 137-4119           | 1           | Cap-Fuel, Ratcheting | 7:2         | 114-3766           | 1           | Hose-Fuel                 |
| 3           | 104-2490           | 2           | Clamp-Hose           | 7:3         | 1-603770           | 1           | Valve-Fuel                |
| 4           | 131-8834           | 2           | Bumper               | 7:4         | 2412-98            | 4           | Clamp-Hose                |
| 5           | 104-7201           | 2           | Nut-HF, NI           | 8           | 126-5523           | 3           | Clip                      |
| 6           | 139-8067           | 1           | Vent Hose ASM        | 9           | 140-4957           | 1           | ASM-Fuel Vent             |
| 6:1         | 138-3152           | 2           | Hose-Fuel            | 9:1         | 138-3152           | 1           | Hose-Fuel                 |
| 6:2         | 120-2234           | 1           | Fitting-Tee          | 9:2         | 116-4630           | 1           | Fitting-Orifice, Straight |
| 6:3         | 140-4956           | 1           | Hose-Fuel            | 9:3         | 116-4344           | 1           | Hose-Fuel                 |
| 7           | 139-8068           | 1           | Fuel Hose ASM        |             |                    |             |                           |

# Fuel Tank Assembly No. 139-6722

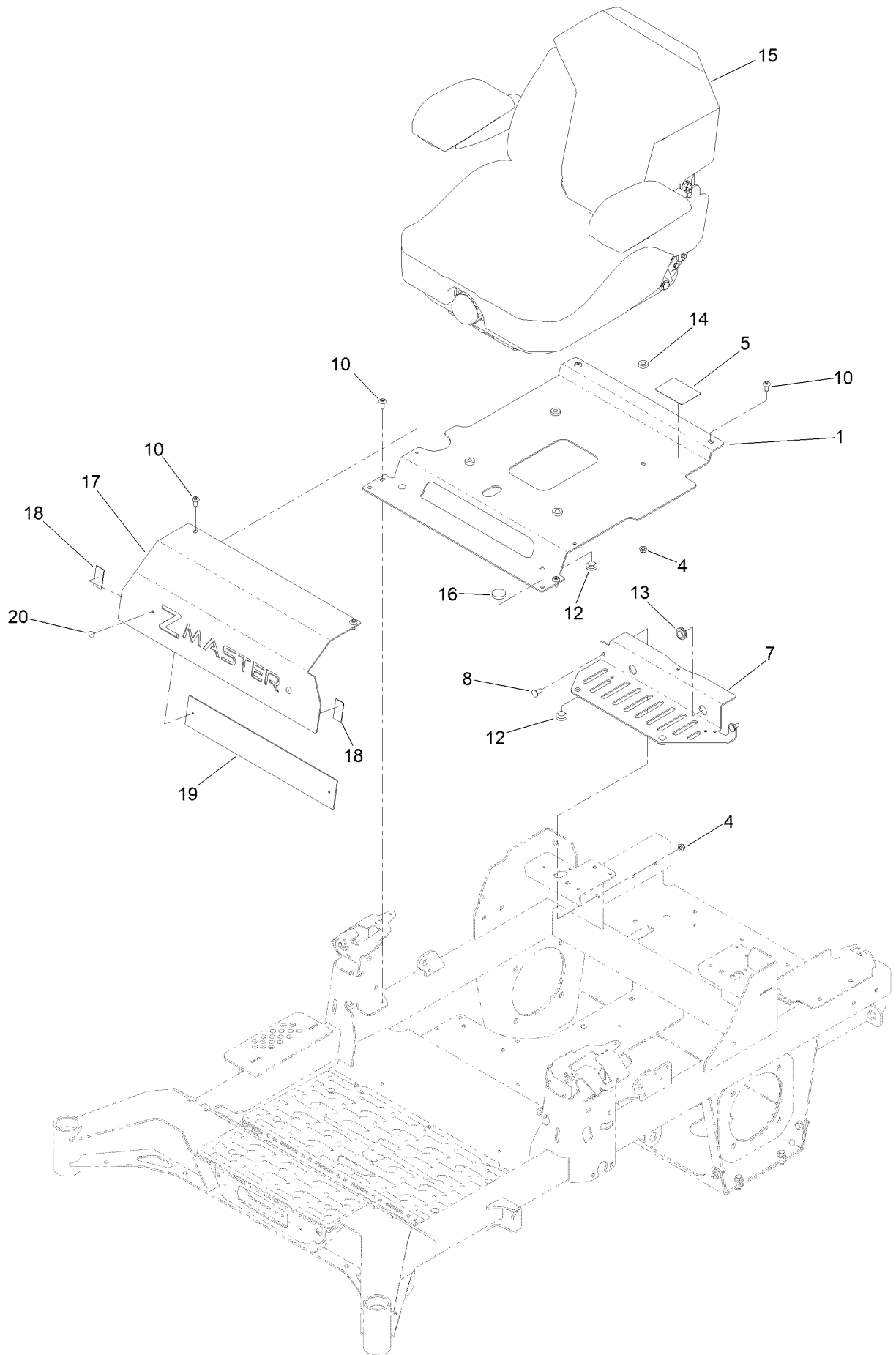


## Fuel Tank Assembly No. 139-6722 (continued)

| <i>Ref.</i> | <i>Part Number</i> | <i>Qty.</i> | <i>Description</i>     |
|-------------|--------------------|-------------|------------------------|
| 2           | 46-6560            | 4           | Bushing                |
| 3           | 140-4955           | 1           | Connector Elbow-90 DEG |
| 4           | 133-9269           | 1           | Grommet-Fuel           |

| <i>Ref.</i> | <i>Part Number</i> | <i>Qty.</i> | <i>Description</i> |
|-------------|--------------------|-------------|--------------------|
| 5           | 139-8058           | 1           | Gauge-Fuel         |
| 6           | 126-9057           | 2           | Fitting-90 DEG     |
| 7           | 140-4954           | 1           | Fitting-Tee        |

# Seat Mount Assembly



## Seat Mount Assembly (continued)

| <i>Ref.</i> | <i>Part Number</i> | <i>Qty.</i> | <i>Description</i>        | <i>Ref.</i> | <i>Part Number</i> | <i>Qty.</i> | <i>Description</i>         |
|-------------|--------------------|-------------|---------------------------|-------------|--------------------|-------------|----------------------------|
| 1           | 140-1165-03        | 1           | Pan-Seat [black]          | 14          | 5-0652             | 4           | Spacer                     |
| 4           | 104-8300           | 6           | Nut-HF, NI                | 15          | 144-2632           | 1           | Seat ASM-Suspension        |
| 5           | 144-2669           | 1           | Decal-Service Aid         | 16          | 109-9233           | 1           | Bumper-Push-In, Rubber     |
| 7           | 147-2436-03        | 1           | Plate-Tank Retainer, Rear | 17          | 147-4987-03        | 1           | Plate-Tank Retainer, Front |
| 8           | 3230-23            | 2           | Bolt-CARR                 | 18          | 130-0733           | 2           | Pad-Rubber                 |
| 10          | 138-9753           | 6           | Screw                     | 19          | 147-4954-01        | 1           | Plate-Backer               |
| 12          | 135-0505           | 4           | Bumper-Seat               | 20          | 130-8451           | 2           | Rivet-Trifold              |
| 13          | 1-543286           | 1           | Grommet                   |             |                    |             |                            |

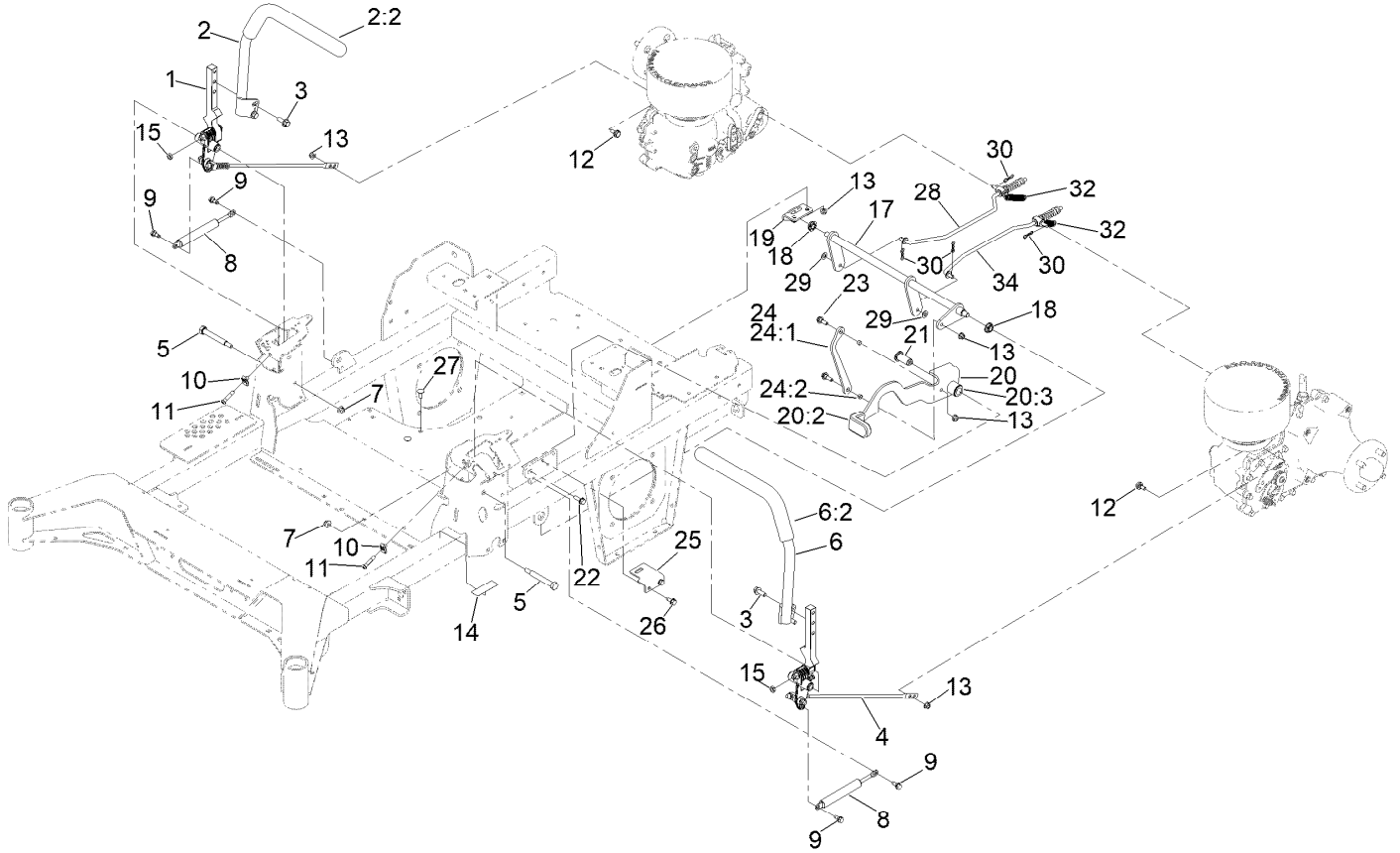
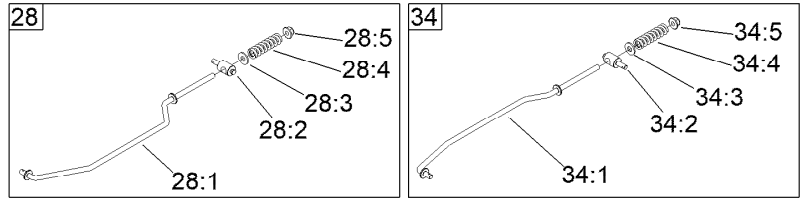
# Seat Assembly No. 144-2632



## Seat Assembly No. 144-2632 (continued)

| <i>Ref.</i> | <i>Part Number</i> | <i>Qty.</i> | <i>Description</i> | <i>Ref.</i> | <i>Part Number</i> | <i>Qty.</i> | <i>Description</i> |
|-------------|--------------------|-------------|--------------------|-------------|--------------------|-------------|--------------------|
| 1           | 140-8012           | 1           | Seat Track Set     | 6           | 126-8560           | 1           | Kit-Seat Belt      |
| 2           | 116-8911           | 1           | Knob-Adjuster      | 7           | 145-3643           | 1           | Cover-Back, Seat   |
| 3           | 126-8559           | 1           | Bellows-Seat       | 8           | 145-3659           | 1           | Cover-Bottom, Seat |
| 4           | 145-3641           | 1           | Armrest Kit        | 9           | 82-2190            | 1           | Switch-Bail        |
| 5           | 145-3642           | 1           | Pads-Armrest       |             |                    |             |                    |

# Motion Control Assembly





## Motion Control Assembly (continued)

| <i>Ref.</i> | <i>Part Number</i> | <i>Qty.</i> | <i>Description</i>     | <i>Ref.</i> | <i>Part Number</i> | <i>Qty.</i> | <i>Description</i>  |
|-------------|--------------------|-------------|------------------------|-------------|--------------------|-------------|---------------------|
| 1           | 139-6697           | 1           | Motion Control ASM-RH  | 22          | 3234-29            | 1           | Screw-HHF           |
| 2           | 147-2390           | 1           | RH Handle ASM          | 23          | 116-2670           | 2           | Screw-Shoulder      |
| 2:2         | 109-5668           | 1           | Grip-Lever, Control    | 24          | 144-6566           | 1           | Brake Link ASM      |
| 3           | 3234-42            | 4           | Screw-HHF              | 24:1        | 144-6565           | 1           | Plate-Link, Handle  |
| 4           | 139-6696           | 1           | Motion Control ASM-LH  | 24:2        | 116-4976           | 2           | Bushing-Sleeve      |
| 5           | 115-5099           | 2           | Bolt-Pivot             | 25          | 139-6745           | 1           | Plate-Switch        |
| 6           | 147-2391           | 1           | LH Handle ASM          | 26          | 32144-70           | 2           | Screw-HWHTF         |
| 6:2         | 109-5668           | 1           | Grip-Lever, Control    | 27          | 3230-23            | 2           | Bolt-CARR           |
| 7           | 104-8301           | 2           | Nut-HF, NI             | 28          | 144-0352           | 1           | RH Brake Rod ASM    |
| 8           | 142-6851           | 2           | Damper                 | 28:1        | 140-4950           | 1           | Rod-Brake, RH       |
| 9           | 126-4424           | 4           | Screw-Shoulder         | 28:2        | 139-6741           | 1           | Fitting-Rod         |
| 10          | 112-3306           | 2           | Nut                    | 28:3        | 3256-3             | 1           | Washer-Flat         |
| 11          | 126-4299           | 2           | Screw-HSBH             | 28:4        | 144-2645           | 1           | Spring-Compression  |
| 12          | 37-8771            | 2           | Bolt-Shoulder, HF      | 28:5        | 104-8301           | 1           | Nut-HF, NI          |
| 13          | 104-8300           | 6           | Nut-HF, NI             | 29          | 3256-45            | 2           | Washer-Flat         |
| 14          | 115-9625           | 1           | Decal-Brake, Parking   | 30          | 119-1415           | 4           | Pin-Cotter, Locking |
| 15          | 3218-3             | 2           | Nut-Jam                | 32          | 109-7124           | 2           | Spring-Extension    |
| 17          | 144-2658           | 1           | Brake ASM              | 34          | 144-0351           | 1           | LH Brake Rod ASM    |
| 18          | 126-5820           | 2           | Bearing-Spherical      | 34:1        | 140-4951           | 1           | Rod-Brake, LH       |
| 19          | 139-6742           | 1           | Bracket-Brake          | 34:2        | 139-6741           | 1           | Fitting-Rod         |
| 20          | 139-6726           | 1           | Brake Lever ASM W/Grip | 34:3        | 3256-3             | 1           | Washer-Flat         |
| 20:2        | 109-8054           | 2           | Bushing-Flange         | 34:4        | 144-2645           | 1           | Spring-Compression  |
| 20:3        | 132-4749           | 1           | Grip-Lever             | 34:5        | 104-8301           | 1           | Nut-HF, NI          |
| 21          | 139-6743           | 1           | Pivot-Handle           |             |                    |             |                     |

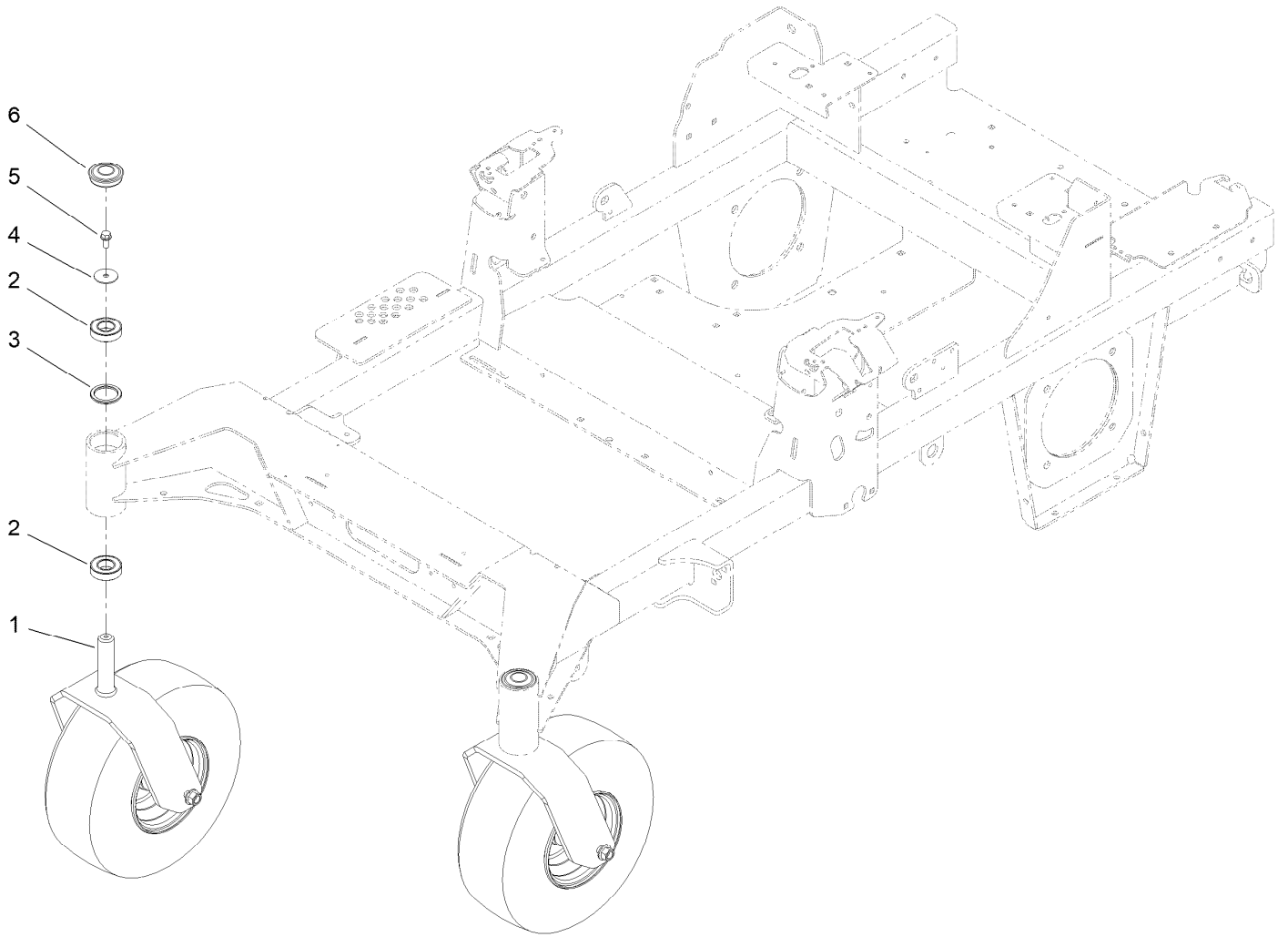
# Left and Right Control Arm Assembly



## Left and Right Control Arm Assembly (continued)

| <i>Ref.</i> | <i>Part Number</i> | <i>Qty.</i> | <i>Description</i> | <i>Ref.</i> | <i>Part Number</i> | <i>Qty.</i> | <i>Description</i>     |
|-------------|--------------------|-------------|--------------------|-------------|--------------------|-------------|------------------------|
| 1           | 126-3773           | 1           | Control Arm ASM    | 6           | 117-1198           | 1           | Bolt-Pivot             |
| 1:2         | 126-8909           | 2           | Bushing            | 7           | 3256-24            | 1           | Washer-Plain           |
| 1:3         | 1-413152           | 2           | Bushing-Sleeve     | 8           | 32152-2            | 1           | Nut-Lock, Cone         |
| 2           | 126-7296           | 1           | Washer-Friction    | 9           | 126-5434           | 1           | Swivel                 |
| 3           | 126-8182           | 1           | Arm-Control        | 10          | 140-4949           | 1           | Link-Control           |
| 4           | 117-1240           | 1           | Washer             | 11          | 126-8195           | 1           | Spring-Return, Neutral |
| 5           | 119-8925           | 1           | Washer-Belleville  | 12          | 104-8300           | 2           | Nut-HF, NI             |

# Caster Wheel Assembly

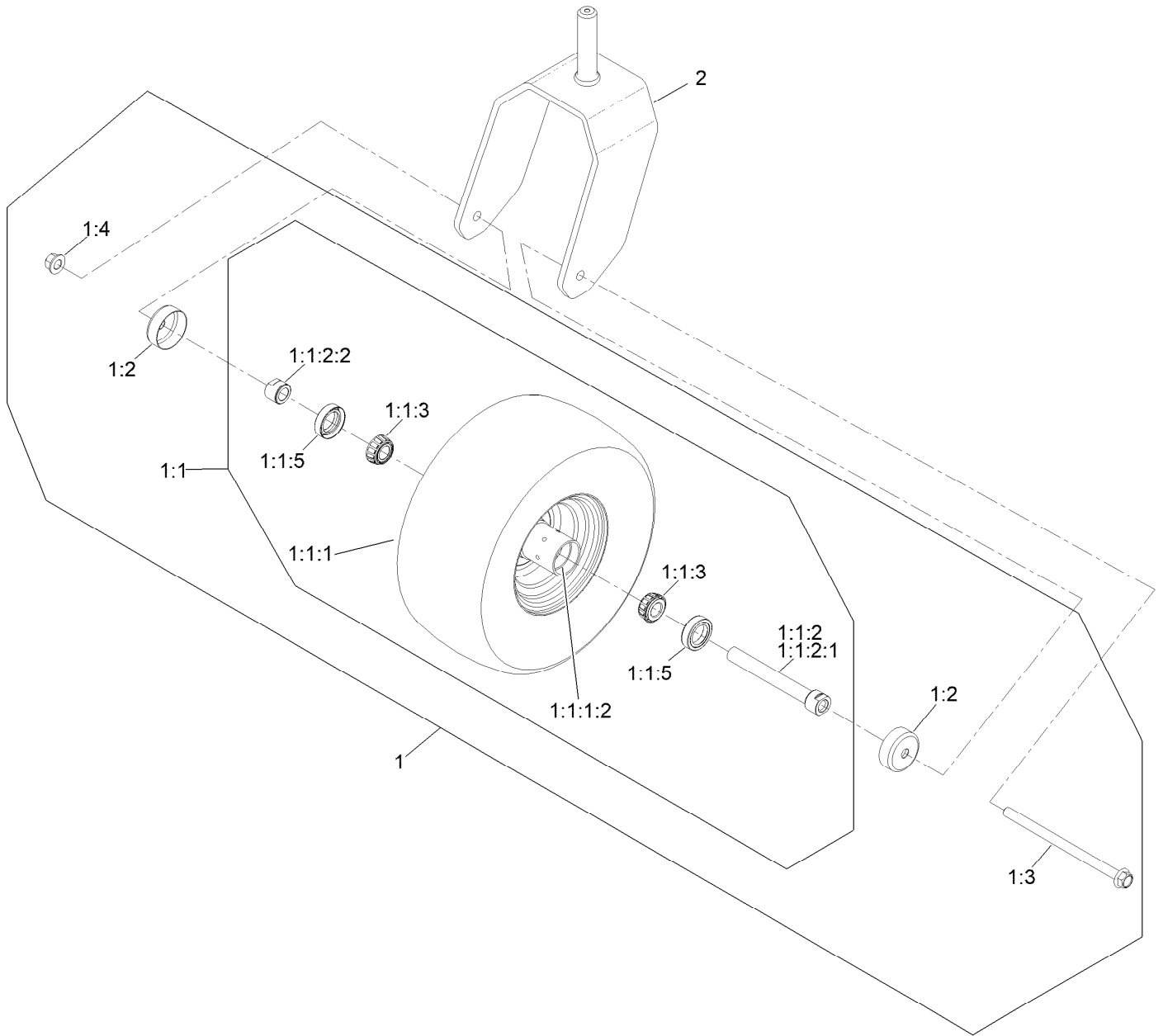


## Caster Wheel Assembly (continued)

| <i>Ref.</i> | <i>Part Number</i> | <i>Qty.</i> | <i>Description</i>        | <i>Ref.</i> | <i>Part Number</i> | <i>Qty.</i> | <i>Description</i> |
|-------------|--------------------|-------------|---------------------------|-------------|--------------------|-------------|--------------------|
| 1           |                    | 2           | ASM-Front Caster W/Fork ● | 4           | 3256-68            | 2           | Washer-Flat        |
| 2           | 109-3678           | 4           | Bearing-Ball              | 5           | 100-1668           | 2           | Screw-HHF          |
| 3           | 145-3660           | 2           | Spacer-Bearing            | 6           | 144-0375           | 2           | Cap, Grease        |

● Not serviced separately

# Caster Wheel and Fork Assembly

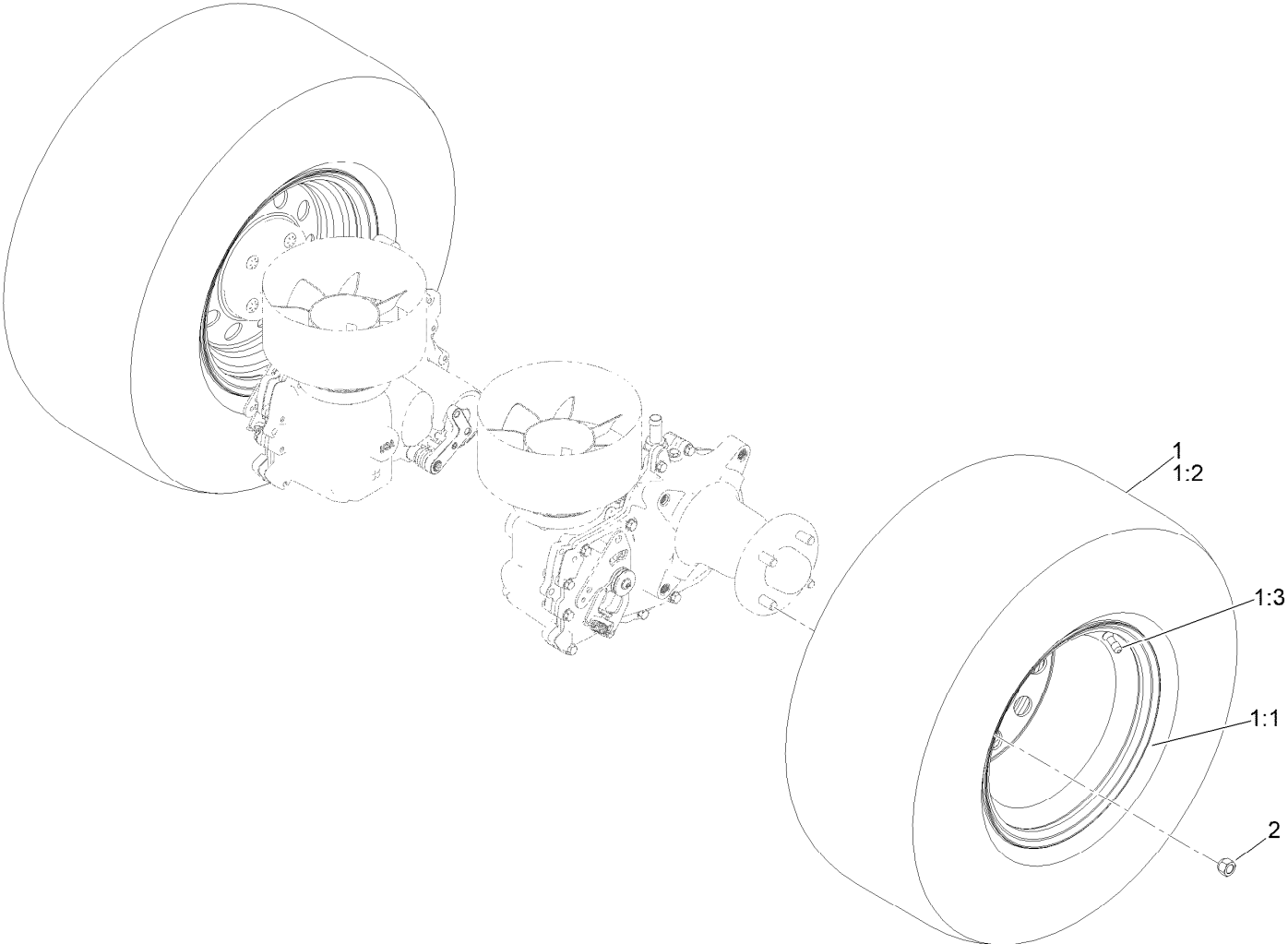


## Caster Wheel and Fork Assembly (continued)

| <i>Ref.</i> | <i>Part Number</i> | <i>Qty.</i> | <i>Description</i>                | <i>Ref.</i> | <i>Part Number</i> | <i>Qty.</i> | <i>Description</i>     |
|-------------|--------------------|-------------|-----------------------------------|-------------|--------------------|-------------|------------------------|
| 1           | 145-1919           | 1           | ASM-Semi Pneumatic<br>15X6.50-6   | 1:1:2:2     | 103-3051           | 1           | Spacer-Nut             |
| 1:1         |                    | 1           | ASM Whl/Brgs 15X6.5-6 ●           | 1:1:3       | 1-633585           | 2           | Bearing-Cone, Taper    |
| 1:1:1       | 145-1921           | 1           | Wheel And Tire ASM<br>15X6.5-6 Sp | 1:1:5       | 103-0063           | 2           | Seal-Caster            |
| 1:1:1:2     | 1-633584           | 2           | Bearing-Cup                       | 1:2         | 103-2768           | 2           | Guard-Seal             |
| 1:1:2       |                    | 1           | Caster Axle ASM ●                 | 1:3         | 126-5389           | 1           | Screw-HHF              |
| 1:1:2:1     | 126-5220           | 1           | Axle-Caster                       | 1:4         | 99-5107            | 1           | Nut-HF Nylock          |
|             |                    |             |                                   | 2           | 147-0295-01        | 1           | 15In Caster Fork [red] |

● Not serviced separately

# Rear Wheel Assembly

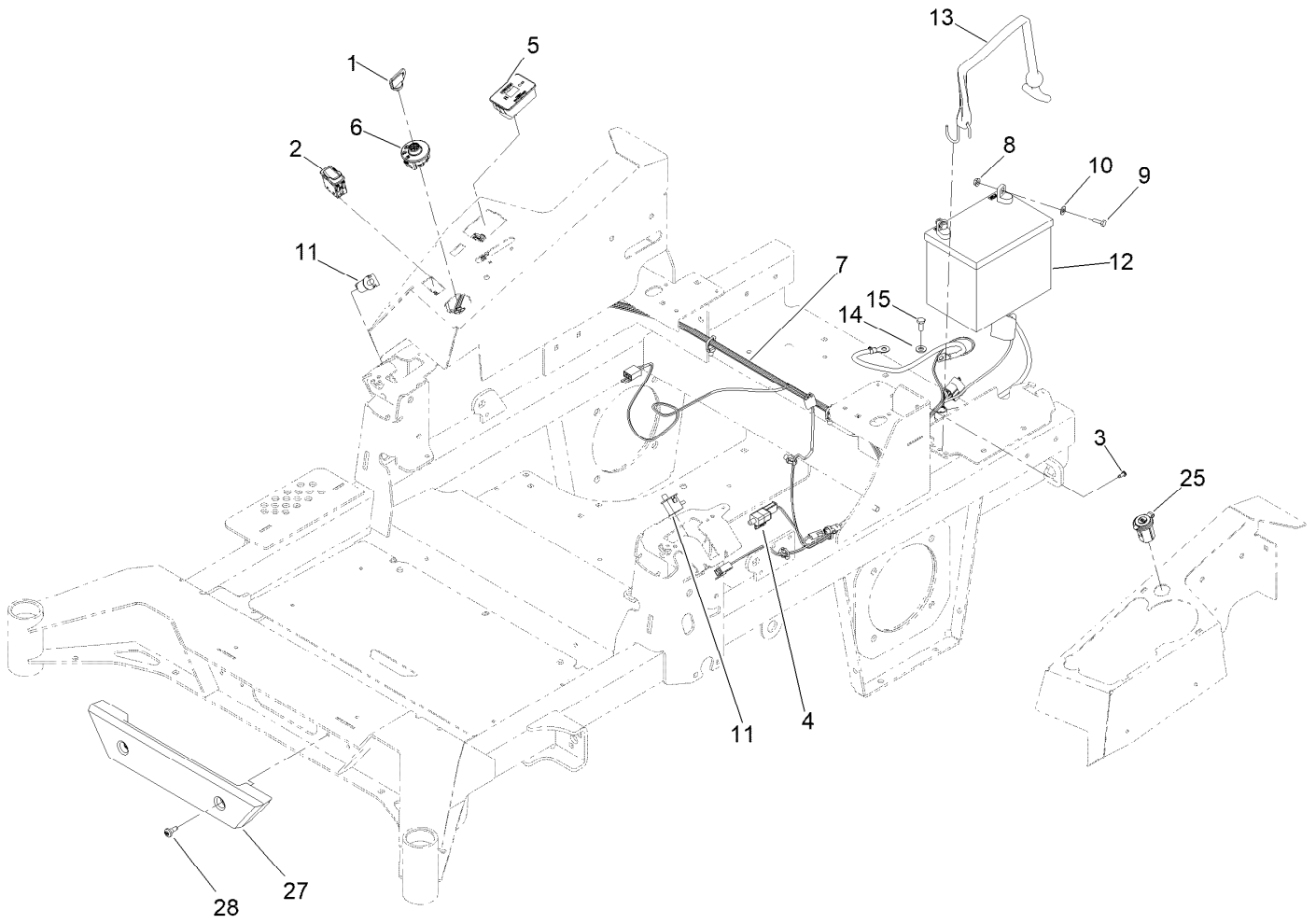




## Rear Wheel Assembly (continued)

| <i>Ref.</i> | <i>Part Number</i> | <i>Qty.</i> | <i>Description</i> | <i>Ref.</i> | <i>Part Number</i> | <i>Qty.</i> | <i>Description</i> |
|-------------|--------------------|-------------|--------------------|-------------|--------------------|-------------|--------------------|
| 1           | 145-1923           | 2           | Wheel And Tire ASM | 1:3         | 232-27             | 1           | Stem-Valve         |
| 1:1         | 145-1945           | 1           | Wheel              | 2           | 242-50             | 2           | Nut-Lug            |
| 1:2         | 126-8033           | 1           | Tire               |             |                    |             |                    |

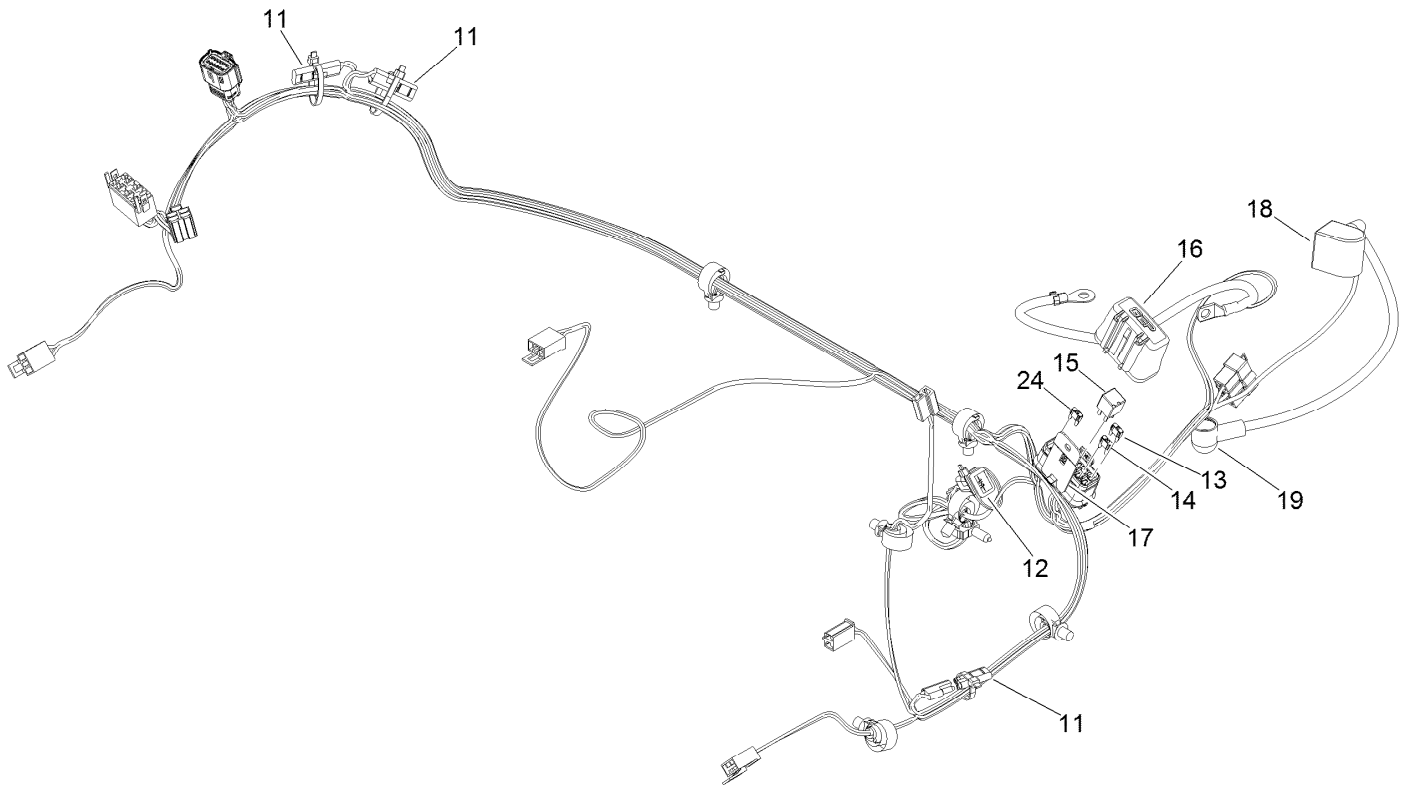
# Electrical Assembly



## Electrical Assembly (continued)

| <i>Ref.</i> | <i>Part Number</i> | <i>Qty.</i> | <i>Description</i>           | <i>Ref.</i> | <i>Part Number</i> | <i>Qty.</i> | <i>Description</i> |
|-------------|--------------------|-------------|------------------------------|-------------|--------------------|-------------|--------------------|
| 1           | 1-603511           | 1           | Keys-Ignition (Spare Pair)   | 9           | 321-4              | 2           | Screw-HH           |
| 1           | 63-8360            | 1           | Key-Ignition                 | 10          | 3256-22            | 2           | Washer-Flat        |
| 2           | 139-6368           | 1           | Switch-Rocker,<br>On-None-On | 11          | 82-2190            | 2           | Switch-Bail        |
| 3           | 99-8445            | 1           | Screw-HWH                    | 12          | 104-8162           | 1           | Battery            |
| 4           | 110-6765           | 1           | Switch                       | 13          | 142-8697           | 1           | Strap, Bungee      |
| 5           | 116-5609           | 1           | Module ASM                   | 14          | 33094-00           | 1           | Washer-Plain       |
| 6           | 137-4100           | 1           | Switch-Ignition              | 15          | 33114-020          | 1           | Screw-HH           |
| 7           | 139-8078           | 1           | Harness-Wire                 | 25          | 140-7955           | 1           | Port-Power, USB    |
| 8           | 32128-33           | 2           | Nut-HF                       | 27          | 140-4996           | 1           | Bumper-Front       |
|             |                    |             |                              | 28          | 135-2015           | 2           | Screw-Shoulder     |

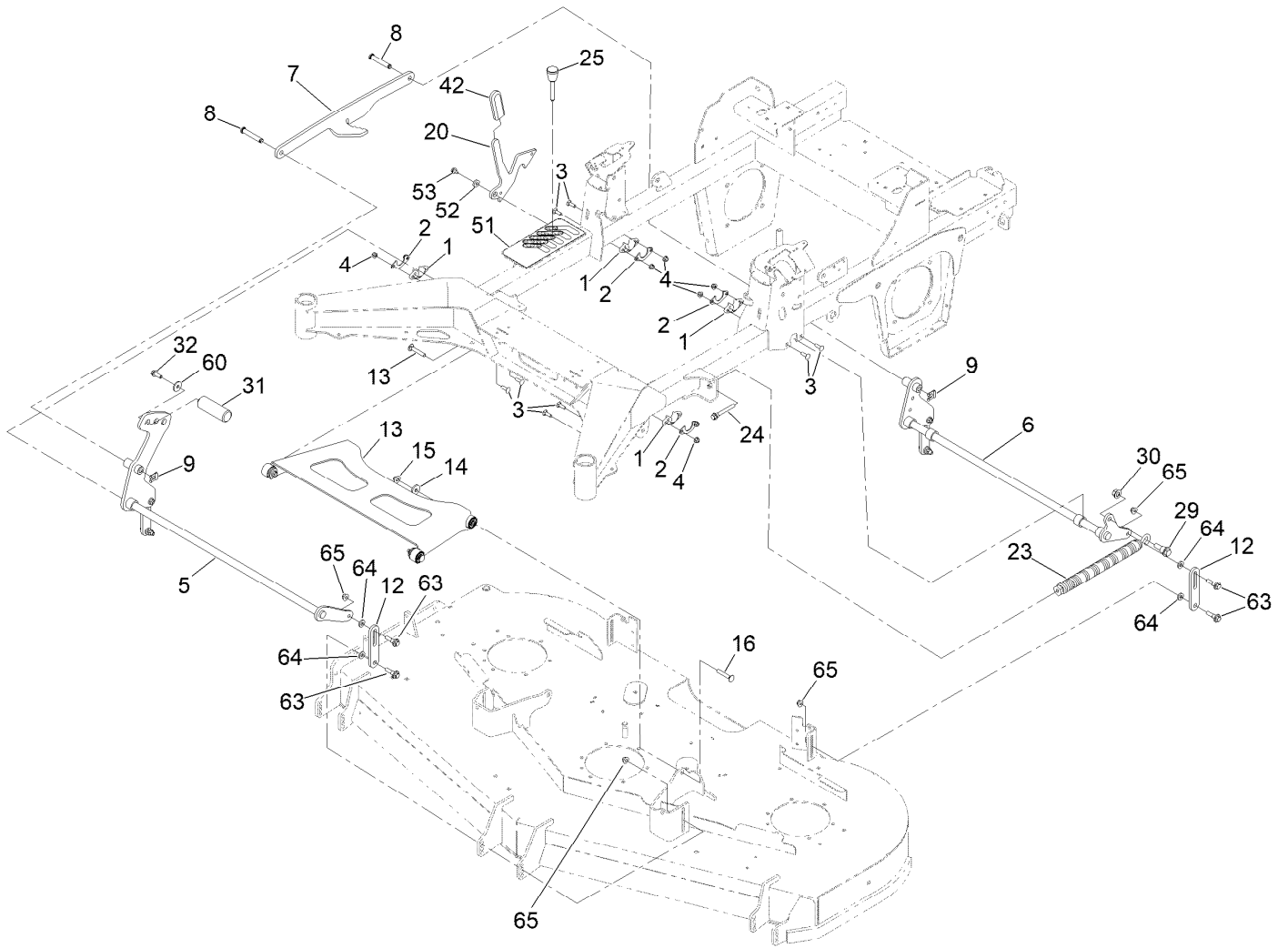
# Wire Harness Assembly No. 139-8078



## Wire Harness Assembly No. 139-8078 (continued)

| <i>Ref.</i> | <i>Part Number</i> | <i>Qty.</i> | <i>Description</i>      | <i>Ref.</i> | <i>Part Number</i> | <i>Qty.</i> | <i>Description</i>      |
|-------------|--------------------|-------------|-------------------------|-------------|--------------------|-------------|-------------------------|
| 11          | 116-0053           | 3           | Cap-Plug                | 16          | 32180-176          | 1           | Cover-Block, Fuse       |
| 12          | 103-3895           | 1           | Diode                   | 17          | 32180-177          | 1           | Clip-Mounting           |
| 13          | 121-8867           | 1           | Fuse-Mini Blade, 15 Amp | 18          | 126-8876           | 1           | Insulator-Battery       |
| 14          | 121-8868           | 1           | Fuse-Mini Blade, 20 Amp | 19          | 1-543393           | 1           | Insulator-Solenoid      |
| 15          | 126-3991           | 1           | Relay-Micro             | 24          | 121-8869           | 1           | Fuse-Mini Blade, 25 Amp |

# Deck Lift Assembly



## Deck Lift Assembly (continued)

| <i>Ref.</i> | <i>Part Number</i> | <i>Qty.</i> | <i>Description</i>                 | <i>Ref.</i> | <i>Part Number</i> | <i>Qty.</i> | <i>Description</i>   |
|-------------|--------------------|-------------|------------------------------------|-------------|--------------------|-------------|----------------------|
| 1           | 139-5872           | 4           | Bearing-Flange                     | 20          | 145-8475-03        | 1           | Plate-Transport Lock |
| 2           | 116-2887           | 4           | Gusset-Lift, Deck                  | 23          | 116-0886           | 1           | Spring-Extension     |
| 3           | 3230-22            | 8           | Screw-CARR                         | 24          | 92-7674            | 1           | Bolt-Shoulder        |
| 4           | 104-8300           | 8           | Nut-HF, NI                         | 25          | 126-5401           | 1           | Pin-HOC              |
| 5           | 147-2354-03        | 1           | Deck Lift Shaft ASM, Frt<br>[black | 29          | 116-0780           | 1           | Screw-Shoulder, HHF  |
| 6           | 140-4975-03        | 1           | Shaft-Lift, Deck                   | 30          | 99-5107            | 1           | Nut-HF Nylock        |
| 7           | 126-4639-03        | 1           | Link-HOC                           | 31          | 140-4959           | 1           | Pedal-Foot Lift      |
| 8           | 126-9181           | 2           | Pin-Clevis                         | 32          | 3234-42            | 1           | Screw-HHF            |
| 9           | 138-8491           | 2           | Clip-Pin                           | 42          | 132-4749           | 1           | Grip-Lever           |
| 12          | 145-5702-03        | 4           | Link-Lift, Deck                    | 51          | 139-6699           | 1           | Decal-HOC            |
| 13          | 140-1179           | 1           | Deck Strut W/ Bushings<br>ASM      | 52          | 104-7658           | 1           | Spacer               |
| 14          | 1-373034           | 2           | Washer                             | 53          | 9266934            | 1           | Screw                |
| 15          | 109-6658           | 2           | Nut-Flange, NI                     | 60          | 2844               | 1           | Washer               |
| 16          | 3231-7             | 2           | Screw-CARR                         | 63          | 130-0742           | 8           | Bolt-Shoulder        |
|             |                    |             |                                    | 64          | 43-0940            | 8           | Spacer               |
|             |                    |             |                                    | 65          | 104-8301           | 8           | Nut-HF, NI           |

# Deck Strut Assembly No. 140-1179

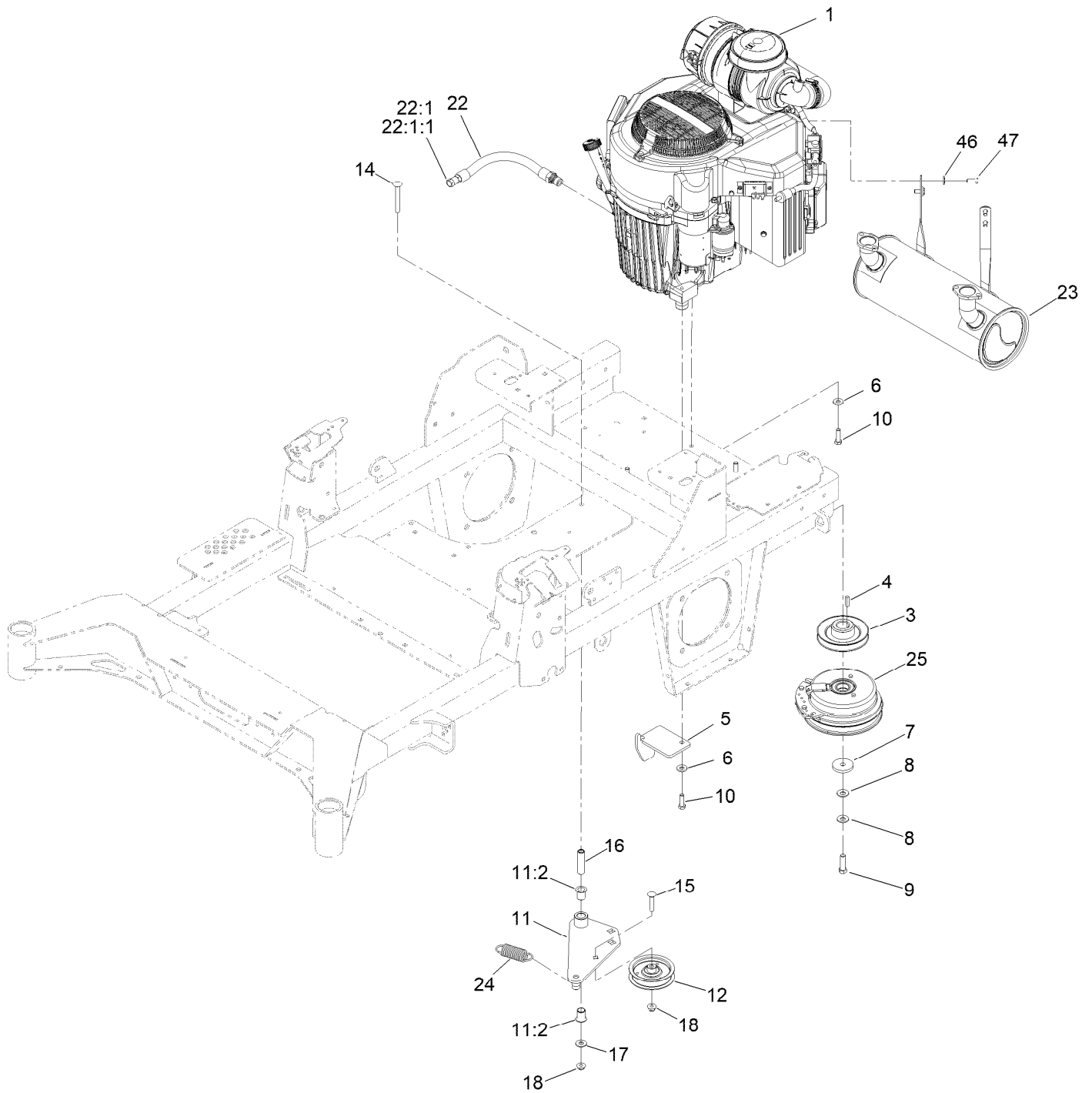




## Deck Strut Assembly No. 140-1179 (continued)

| <i>Ref.</i> | <i>Part Number</i> | <i>Qty.</i> | <i>Description</i>            | <i>Ref.</i> | <i>Part Number</i> | <i>Qty.</i> | <i>Description</i> |
|-------------|--------------------|-------------|-------------------------------|-------------|--------------------|-------------|--------------------|
| 2           | 126-8360           | 4           | Bushing-Rubber,<br>Suspension | 4           | 3231-7             | 2           | Screw-CARR         |
| 3           | 108-6544           | 4           | Spacer                        | 5           | 2844               | 2           | Washer             |
|             |                    |             |                               | 6           | 104-8301           | 2           | Nut-HF, NI         |

# Engine, Clutch and Muffler Assembly

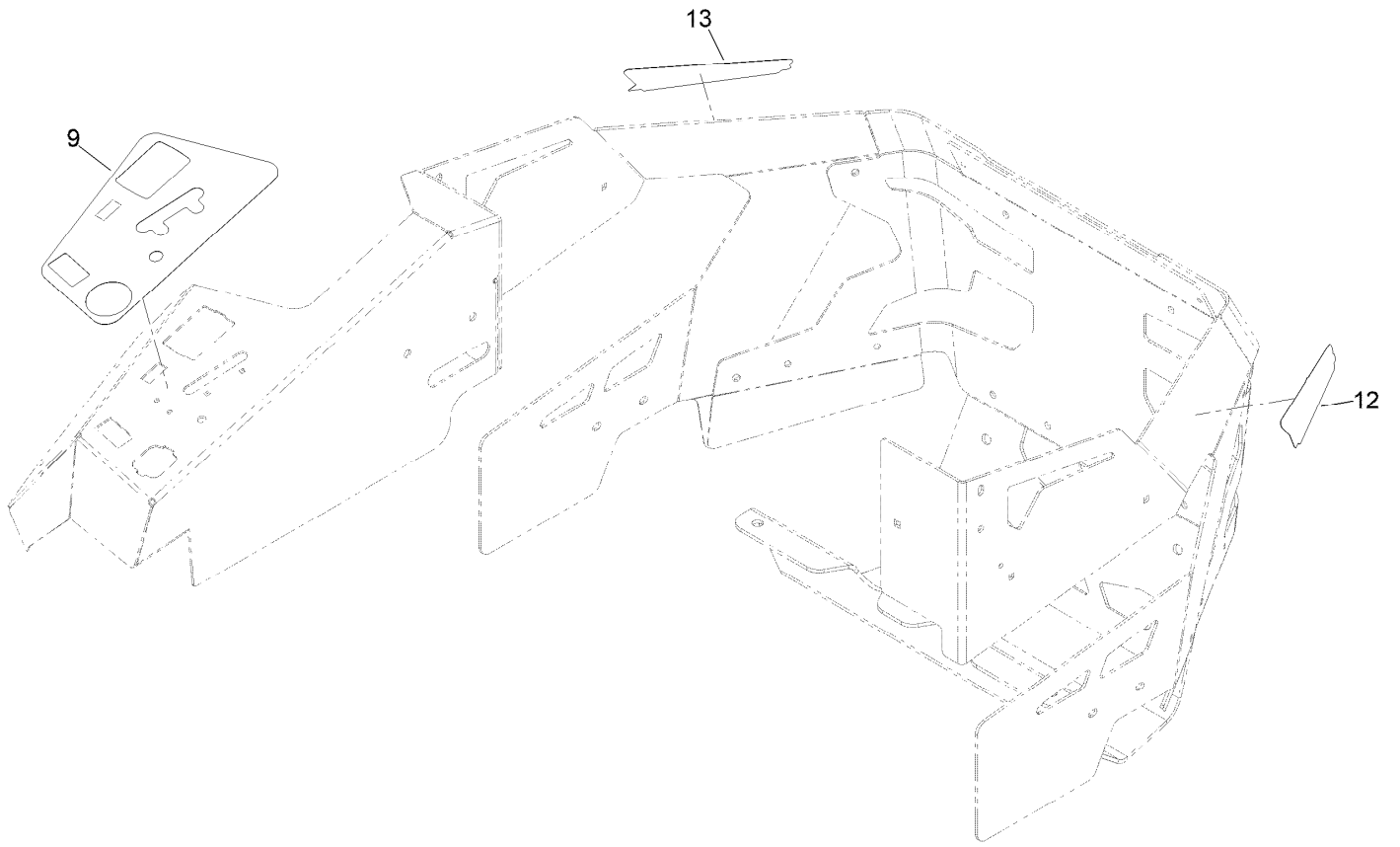


## Engine, Clutch and Muffler Assembly (continued)

| <i>Ref.</i> | <i>Part Number</i> | <i>Qty.</i> | <i>Description</i>       | <i>Ref.</i> | <i>Part Number</i> | <i>Qty.</i> | <i>Description</i>        |
|-------------|--------------------|-------------|--------------------------|-------------|--------------------|-------------|---------------------------|
| 1           | 145-1285           | 1           | Engine-Kawasaki, Fx1000V | 15          | 3231-29            | 1           | Screw-CARR                |
| 3           | 139-6702           | 1           | Sheave, W/Hub            | 16          | 139-6690           | 1           | Bushing, Idler Pivot      |
| 4           | 1-807259           | 1           | Key                      | 17          | 3256-4             | 1           | Washer-Flat               |
| 5           | 140-1190           | 1           | Anchor-Clutch            | 18          | 104-8301           | 2           | Nut-HF, NI                |
| 6           | 98-5975            | 4           | Washer-Belleville        | 22          | 116-4924           | 1           | Engine Oil Drain Hose ASM |
| 7           | 109-6919           | 1           | Washer-Plain             | 22:1        | 353-508            | 1           | Plug-HH ●                 |
| 8           | 1-603610           | 2           | Washer-Spring            | 22:1:1      | 237-42             | 1           | O-Ring                    |
| 9           | 109-9761           | 1           | Screw-HH                 | 23          | 140-8002           | 1           | Muffler                   |
| 10          | 323-7              | 4           | Screw-HH                 | 24          | 1-653331           | 1           | Spring-Idler              |
| 11          | 144-2671           | 1           | Idler Arm ASM            | 25          | 116-1604           | 1           | Clutch                    |
| 11:2        | 138-2573           | 2           | Bushing-Flange           | 46          | 1-303334           | 4           | Washer-Spring             |
| 12          | 140-4964           | 1           | Pulley-Idler, Flat       | 47          | 33114-020          | 4           | Screw-HH                  |
| 14          | 3231-42            | 1           | Screw-CARR               |             |                    |             |                           |

● Torque to 24-26 ft-lb

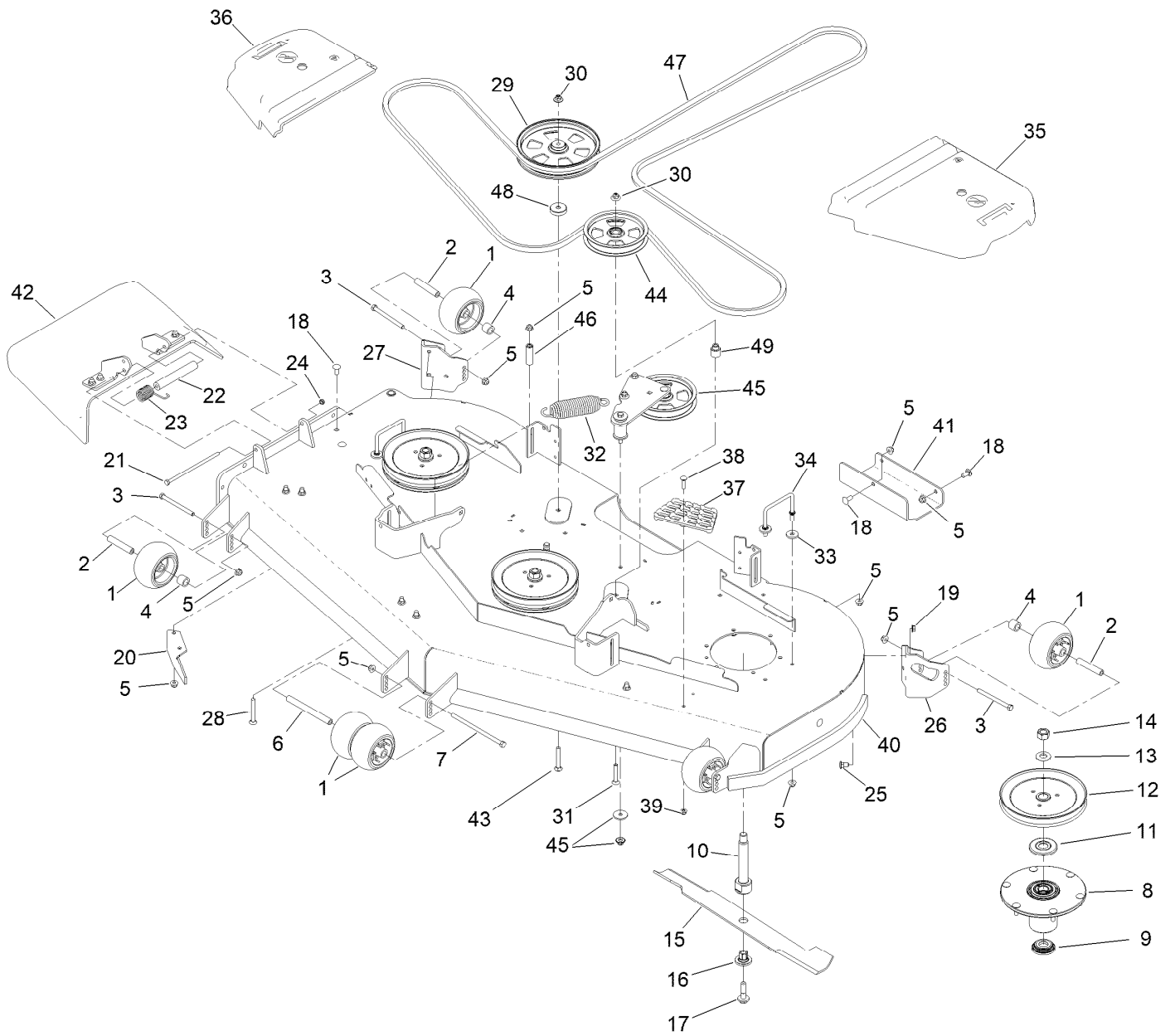
# Decal Assembly



## Decal Assembly (continued)

| <i>Ref.</i> | <i>Part Number</i> | <i>Qty.</i> | <i>Description</i>   |
|-------------|--------------------|-------------|----------------------|
| 9           | 144-0405           | 1           | Decal-Panel, Control |
| 12          | 145-6978           | 1           | Decal-HDX Pro XI     |
| 13          | 145-6979           | 1           | Decal-HDX Pro XI     |

# Deck Assembly



## Deck Assembly (continued)

| <i>Ref.</i> | <i>Part Number</i> | <i>Qty.</i> | <i>Description</i>  | <i>Ref.</i> | <i>Part Number</i> | <i>Qty.</i> | <i>Description</i>   |
|-------------|--------------------|-------------|---------------------|-------------|--------------------|-------------|----------------------|
| 1           | 1-603299           | 6           | Roller-Scalp, Anti  | 26          | 106-7354-01        | 1           | Mount-Wheel, LH      |
| 2           | 98-7912            | 4           | Tube-Spanner        | 27          | 106-7355-01        | 1           | Mount-Wheel, RH      |
| 3           | 323-23             | 4           | Screw-HH            | 28          | 126-4687           | 1           | Screw-HHF            |
| 4           | 98-7913            | 4           | Tube-Spacer         | 29          | 132-4734           | 1           | Pulley-Idler, Flat   |
| 5           | 104-8301           | 39          | Nut-HF, NI          | 30          | 109-6658           | 2           | Nut-Flange, NI       |
| 6           | 98-5967            | 1           | Spacer-Wheel        | 31          | 3231-40            | 1           | Bolt-CARR            |
| 7           | 108-5388           | 1           | Screw-HH            | 32          | 116-6317           | 1           | Spring-Extension     |
| 8           | 137-9780           | 3           | Spindle ASM         | 33          | 1-373034           | 4           | Washer               |
| 9           | 137-9784           | 3           | Guard-Bottom        | 34          | 109-6982           | 2           | Wireform-Cover       |
| 10          | 138-6045           | 3           | Shaft-Spindle       | 35          | 109-6938           | 1           | Cover-Belt, LH       |
| 11          | 103-1330           | 3           | Guard-Bearing, Top  | 36          | 116-0094           | 1           | Cover-Belt, RH       |
| 12          | 138-6060           | 3           | Sheave-Drive, Blade | 37          | 126-4781-03        | 1           | Step-Deck            |
| 13          | 103-2802           | 3           | Washer              | 38          | 3230-3             | 1           | Screw-CARR           |
| 14          | 116-7306           | 3           | Nut-Hex             | 39          | 104-8300           | 2           | Nut-HF, NI           |
| 15          | 140-1238           | 3           | Blade               | 40          | 145-1971           | 1           | Deck Decal ASM       |
| 16          | 137-9787           | 3           | Bushing-Hex         | 41          | 145-1941-01        | 1           | Plate-Skid           |
| 17          | 109-9220           | 3           | Screw-Sems          | 42          | 144-2635           | 1           | Rubber Deflector ASM |
| 18          | 3231-27            | 12          | Screw-CARR          | 43          | 3231-9             | 1           | Screw-CARR           |
| 19          | 3290-357           | 6           | Nut-HSF             | 44          | 132-9424           | 1           | Pulley-Idler, Flat   |
| 20          | 106-3216-01        | 1           | Baffle-Discharge    | 45          | 139-1087           | 1           | Idler Arm ASM        |
| 21          | 322-50             | 1           | Screw-HH            | 46          | 116-5809           | 1           | Spacer-Hydro         |
| 22          | 105-4622           | 1           | Spacer              | 47          | 145-1940           | 1           | Belt, V-5V X 206.6"  |
| 23          | 108-4052           | 1           | Spring-Torsion      | 48          | 145-1942           | 1           | Spacer-Pulley        |
| 24          | 3296-47            | 1           | Nut-Lock, NI        | 49          | 139-8061           | 1           | Bushing, Idler       |
| 25          | 3231-1             | 6           | Screw-CARR          |             |                    |             |                      |

# Spindle Assembly No. 137-9780

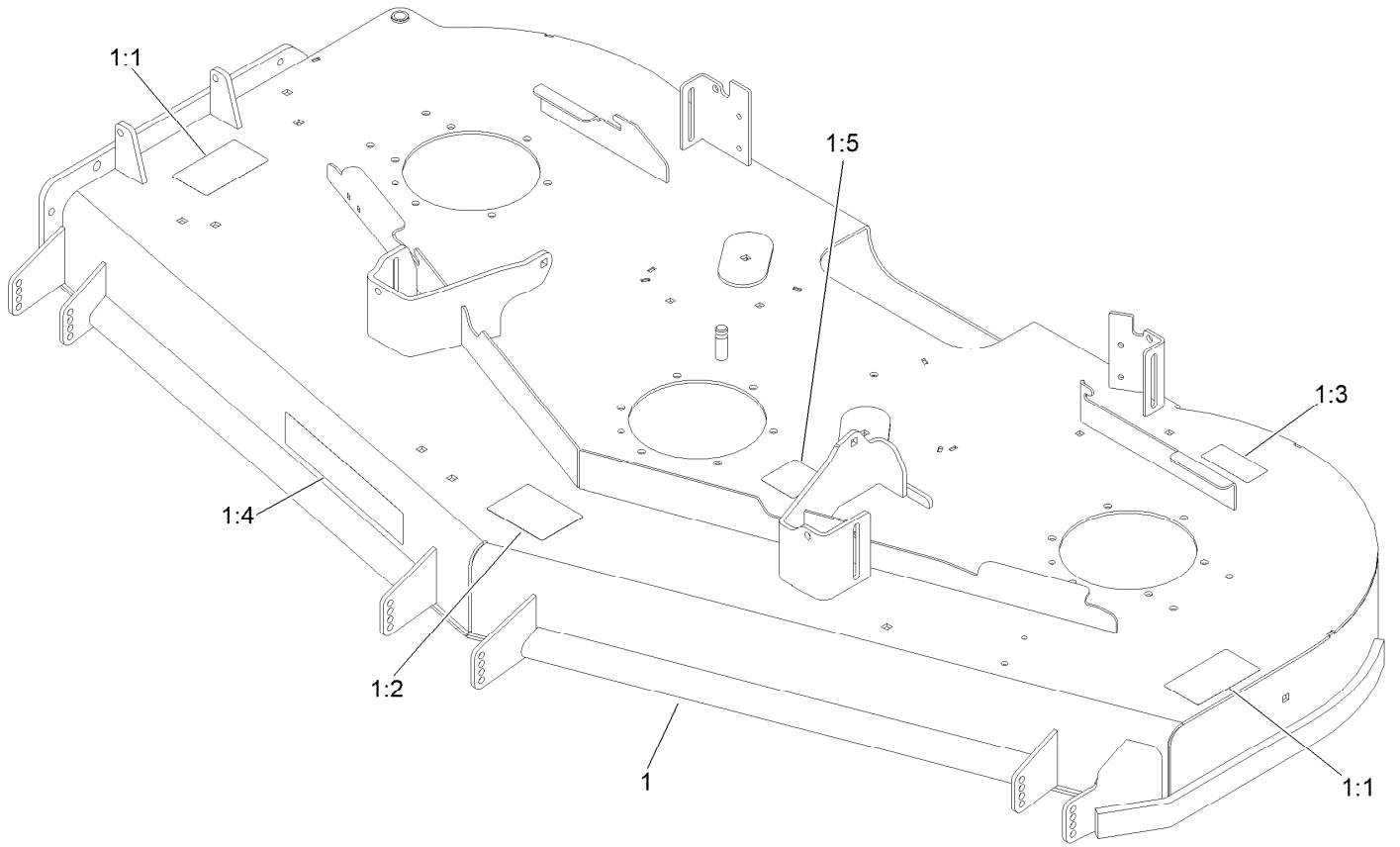




## Spindle Assembly No. 137-9780 (continued)

| <i>Ref.</i> | <i>Part Number</i> | <i>Qty.</i> | <i>Description</i> |
|-------------|--------------------|-------------|--------------------|
| 2           | 116-0720           | 2           | Bearing-Ball       |
| 3           | 138-6042           | 1           | Spacer-Bearing     |

# Deck Decal Assembly No. 145-1971

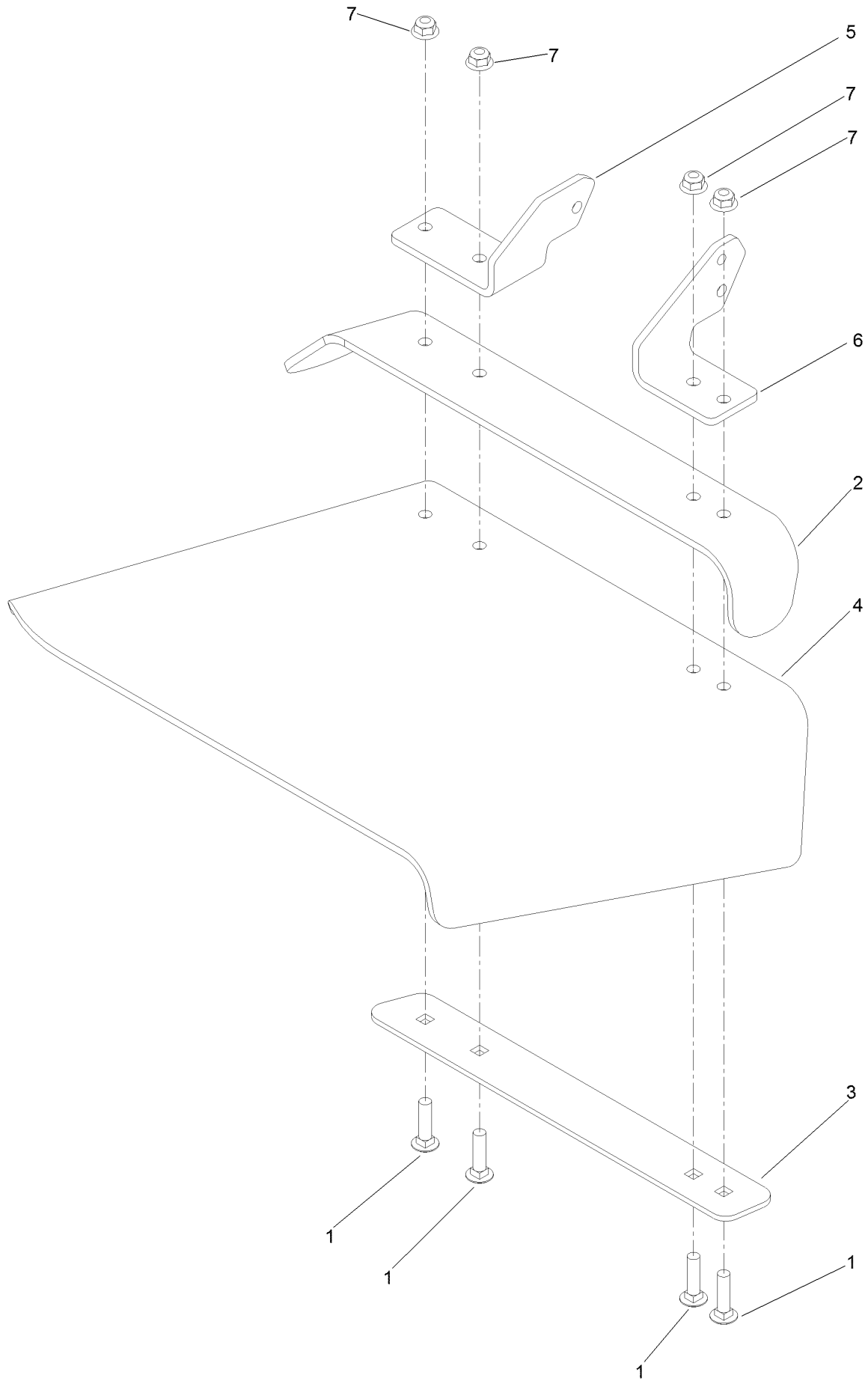


## Deck Decal Assembly No. 145-1971 (continued)

| <i>Ref.</i> | <i>Part Number</i> | <i>Qty.</i> | <i>Description</i> | <i>Ref.</i> | <i>Part Number</i> | <i>Qty.</i> | <i>Description</i>  |
|-------------|--------------------|-------------|--------------------|-------------|--------------------|-------------|---------------------|
| 1           |                    | 1           | Deck ASM ●         | 1:3         | 116-8283           | 1           | Decal-Torque, Bolt  |
| 1:1         | 117-3848           | 2           | Decal-Danger       | 1:4         | 107-1620           | 1           | Decal               |
| 1:2         | 127-0326           | 1           | Decal-Scalp, Anti  | 1:5         | 109-6035           | 1           | Decal-Routing, Belt |

● Not serviced separately

# Deflector Assembly No. 144-2635



## Deflector Assembly No. 144-2635 (continued)

| <i>Ref.</i> | <i>Part Number</i> | <i>Qty.</i> | <i>Description</i>     | <i>Ref.</i> | <i>Part Number</i> | <i>Qty.</i> | <i>Description</i> |
|-------------|--------------------|-------------|------------------------|-------------|--------------------|-------------|--------------------|
| 1           | 3231-4             | 4           | Screw-CARR             | 5           | 108-4059-01        | 1           | Plate-Hinge, Rear  |
| 2           | 106-3246-01        | 1           | Deflector              | 6           | 106-3253-01        | 1           | Plate-Hinge, Front |
| 3           | 106-3248-03        | 1           | Strap-Discharge        | 7           | 104-8301           | 4           | Nut-HF, NI         |
| 4           | 139-8114           | 1           | Deflector-Deck, Rubber |             |                    |             |                    |

# Idler Arm Assembly No. 139-1087



## Idler Arm Assembly No. 139-1087 (continued)

| <i>Ref.</i> | <i>Part Number</i> | <i>Qty.</i> | <i>Description</i>   | <i>Ref.</i> | <i>Part Number</i> | <i>Qty.</i> | <i>Description</i>   |
|-------------|--------------------|-------------|----------------------|-------------|--------------------|-------------|----------------------|
| 1           | 139-1086           | 1           | Idler Arm ASM        | 7           | 109-6658           | 3           | Nut-Flange, NI       |
| 2           | 138-2573           | 2           | Bushing-Flange       | 8           | 323-15             | 1           | Screw-HH             |
| 3           | 139-8060           | 1           | Bushing, Idler       | 9           | 3231-5             | 1           | Screw-CARR           |
| 4           | 132-9424           | 1           | Pulley-Idler, Flat   | 10          | 132-4729           | 1           | Anchor-Spring, Short |
| 5           | 139-6690           | 1           | Bushing, Idler Pivot | 11          | 136-9028           | 1           | Bolt-Shoulder, HWH   |
| 6           | 1-213069           | 3           | Washer               | 12          | 104-8301           | 1           | Nut-HF, NI           |

# Attachments and Accessories

## For 74022 72in Z Master 4000 Series Riding Mower

| <b>Product Name</b>  | <b>Model/Part</b> |
|--|-------------------|
| Hypr-Oil 500 (quart) .....   | 114-4713          |
| Hypr-Oil 500 (gallon).....   | 114-4714          |
| Hypr-Oil 500-5 (5 gallon).....                                       | 114-4715          |
| Spark Arrestor .....   | 117-3281          |
| Striper Kit.....   | 126-7882          |
| Jack Kit.....  | 127-6666          |
| Recycler Kit-G3/GM 3300 72in .....                                   | 139-6659          |
| Blade-24.50 High Flow .....  | 140-1238          |
| Blade-24.50 Atomic .....   | 140-1239          |
| Blade-24.50 Medium Flow .....  | 140-4850          |
| Blade-24.50 Low Flow .....   | 140-4851          |
| Blade-24.50 Recycler .....   | 140-4852          |
| 6 Pack-Blade, 24.5 High Flow.....                                    | 140-4872          |
| 6 Pack-Blade, 24.5 Med Flow .....                                    | 140-4873          |
| 6 Pack-Blade, 24.5 Low Flow .....                                    | 140-4874          |
| 6 Pack-Blade, 24.5 Atomic.....                                       | 140-4875          |
| 6 Pack-Blade, 24.5 Recycler.....                                     | 140-4876          |
| Base Light Kit-4000 Series .....                                     | 144-0389          |
| Jack Mount Kit.....  | 144-2676          |
| Hardtop Sun Canopy .....   | 144-3719          |
| Handle Extension Kit .....   | 145-3615          |
| Trimmer Mount .....  | 145-8402          |
| Tweel-Turf.....  | 147-4600          |
| Blade-24.50 High Flow .....  | 147-6253          |
| 6 Pack-Blade, 24.50 High Flow.....                                   | 147-6257          |
| 15inx6n6 Caster Tweel Asm .....                                      | 147-6337          |
| Bucket Mount Kit, Z Master 2000 or 4000 Series Riding Mower .....    | 147-6345          |
| Universal Mount Kit, Z Master 2000 or 4000 Series Riding Mower ..... | 147-6346          |
| Electric Deck Lift Kit.....  | 147-7867          |
| Fuel Pickup with Screen Kit .....                                    | 161-6806          |
| 4000 HDX 72in Completion Kit .....                                   | 78467             |
| 4000 HDX 72in Ez Vac Dfs Bagger .....                                | 78474             |
| 4000 HDX 72in Ez Vac Triple Soft Bagger .....                        | 78489             |



**Notes:**

**Notes:**

**Notes:**



**Count on it.**