



NEW HOLLAND

GT22 Garden Tractor

Model No. 725056016 - T04AG0001 and up.

Parts Catalog

Ordering Replacement Parts

To order replacement parts, please supply the part number, the quantity, and the description of each part desired.

Understanding Reference Numbers

Each Identified part in an illustration has a reference number. The reference number for a part also appears in the parts list, along with other information about the part.

This catalog uses two special reference number formats, one to indicate parts in a service assembly and another to indicate the quantity of a given part in an illustration.

Service Assembly Reference Numbers

Parts in service assemblies have reference numbers in the form a:b. The a represents the reference number of the entire service assembly and the b represents a sequential number unique to each part within the service assembly.

For example, a wheel assembly might be identified by reference number 6, the tire by 6:1, the valve by 6:2, and the wheel by 6:3. When you order the assembly identified by reference number 6, you receive all parts identified by reference numbers 6:1, 6:2, and 6:3. However, you may also order any part individually. Reference numbers of this type appear in illustrations and in part lists.

Reference Numbers Indicating Quantity

In an illustration, if a reference number indicates more than one part, the reference number has the form nX y. The n represents the quantity of the part, the X is the multiplication symbol, and the y represents the reference number.

For example, in an illustration, the reference number 2X 37 means that two of the parts identified by reference number 37 are indicated.

Contents

Description	Page	Description	Page
Bumper and Hood Support Assembly	3	Air Cooled Engine Assembly	31
Steering Tower and Fuel Tank Support Assembly	4	Electrical Assembly	33
Attach-A-Matic and Hitch Assembly	5	Crankshaft Assembly Kohler Model No. Ch22s-76551	34
Power Steering Lower Assembly	6	Crankcase Assembly Kohler Model No. Ch22s-76551	35
Power Steering and Tilt Assembly	7	Oil Pan/Lubrication Assembly Kohler Model No. Ch22s-76551	36
Tie Rod, Spindle and Front Axle Assembly	8	Head/Valve/Breather Assembly Kohler Model No. Ch22s-76551	37
Hydro Transaxle Assembly	9	Ignition/Electrical Assembly Kohler Model No. Ch22s-76551	38
Hydro Transmission Assembly	10	Blower Housing and Baffle Assembly Kohler Model No. Ch22s-76551	39
Hydro Transmission Assembly No. 94-2003	12	Starting System Assembly Kohler Model No. Ch22s-76551	40
Drive Shaft Assembly	14	Fuel System Assembly Kohler Model No. Ch22s-76551	41
Hydro Lift Lower Assembly	15	Engine Control Assembly Kohler Model No. Ch22s-76551	42
Hydro Lift Upper Assembly	16	Air Intake/Filtration Assembly Kohler Model No. Ch22s-76551	43
Hood and Headlight Assembly	17	Exhaust Assembly Kohler Model No. Ch22s-76551	44
Grill and Side Panel Assembly	18		
Dash Assembly	19		
Fender, Footrest and Seat Assembly	20		
Smart Turn Rear Assembly	22		
Hi-Lo Shift Assembly	23		
Parking Brake Upper Assembly	24		
Hydro Control Assembly	25		
Smart Turn Front Assembly	26		
Parking Brake Lower Assembly	27		
Cruise Control Assembly	28		
Fender and Fuel System Assembly	29		
Wheel Assembly	30		

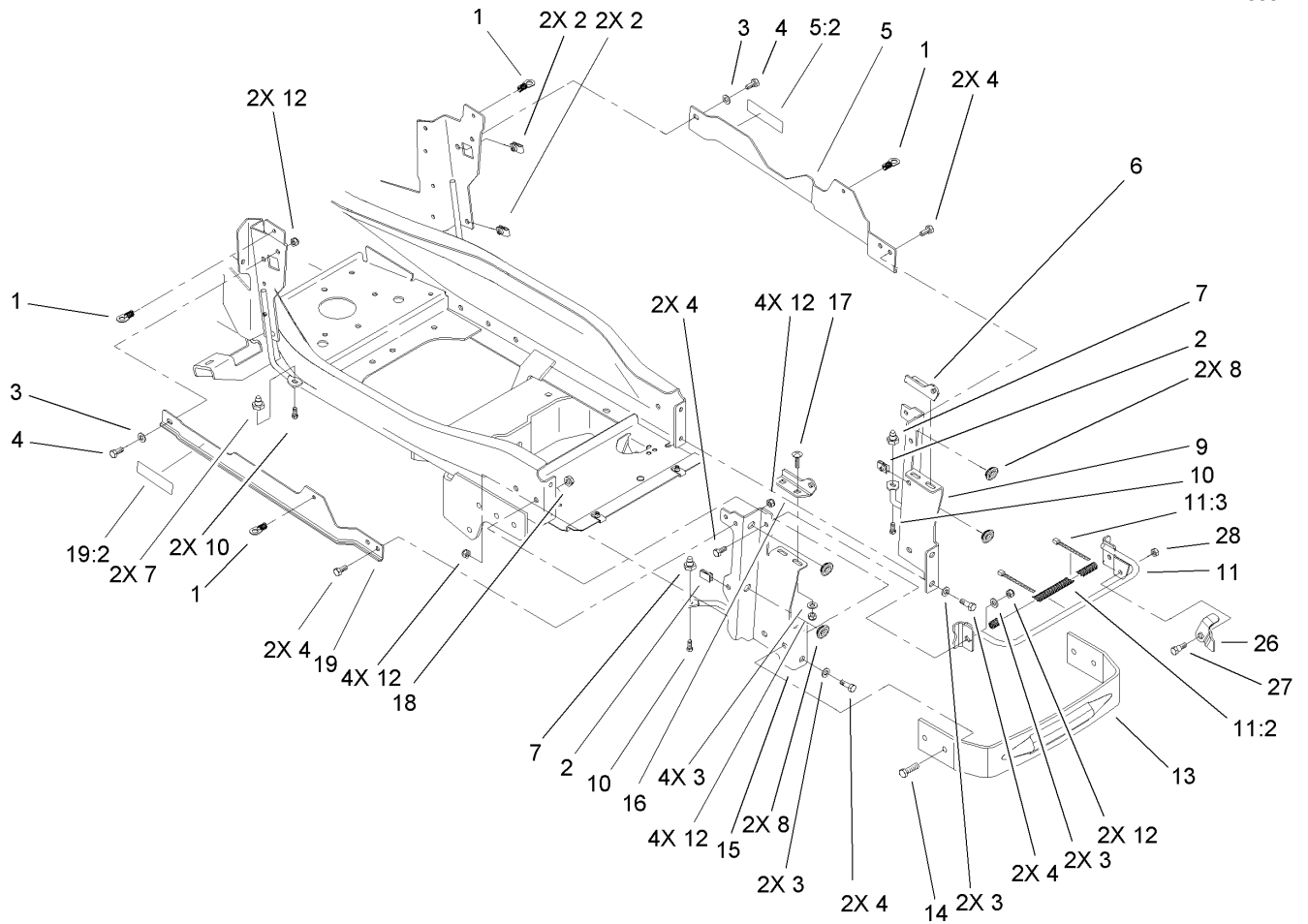
Part Description Abbreviations

Part descriptions in this catalog may include the following abbreviations.

AR. as required	INC. incorporated
ASM. assembly	LH. left hand
CARR. carriage	NI. nylon insert
DEG. degrees	PPH. phillips pan head
FH. flat head	PTH. phillips truss head
GA. gauge	PTO. power take off
HF. hex flange	RH. right hand
HH. hex head	SFH. slotted fillister head
HHF. hex head flange	SHH. slotted hex head
HHFTF. hex head flange thread forming	SHWH. slotted hex washer head
HJ. hex jam	SPH. slotted pan head
HLH. hex lag head	SQH. square head
HOC. height-of-cut	SRH. slotted round head
HS. hex	STD. standard
HSBH. hex socket button head	TAP. self tapping
HSFH. hex socket flat head	TTH. torx truss head
HSH. hex socket head	WH. wing head
HWH. hex washer head	
HWHTF. hex washer head thread forming	
HYD. hydraulic	

Footnotes

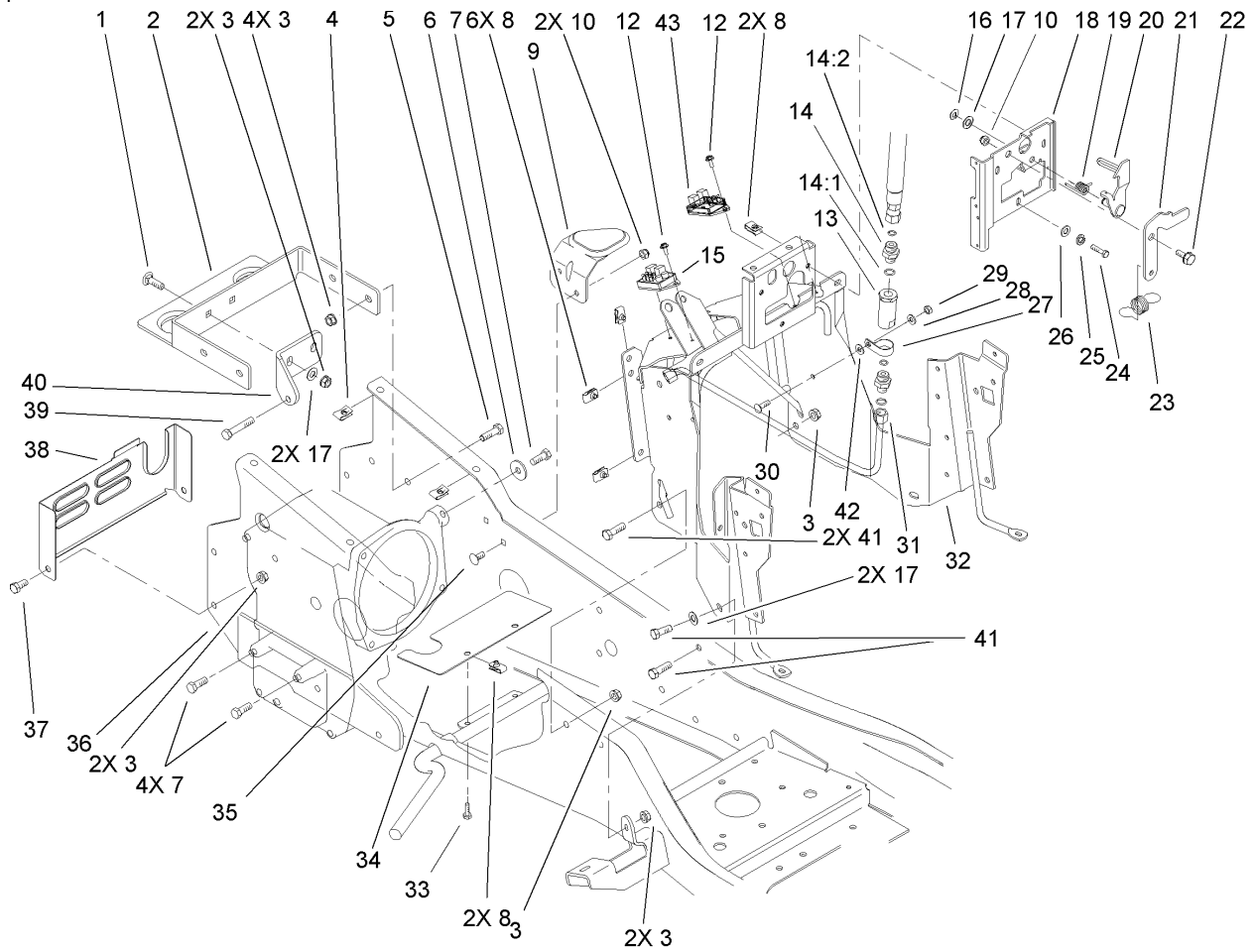
- ❶ Not illustrated
- ❷ Not serviced separately
- ❸ Obtain parts from your local Kohler dealer.



Bumper and Hood Support Assembly

Ref	Part No.	Qty.	Description
1	95-4013	4	Latch ASM
2	107069	6	Clip
3	3256-23	12	Washer-Flat
4	322-3	12	Screw-HH
5	98-5064	1	Support ASM
5:2	98-5014	1	Decal - Warning
6	98-9026-03	1	Bracket-Hinge, Lower LH
7	95-3989	4	Mount-Sidepanel
8	94-7910	4	Grommet
9	95-4082-03	1	Support-Hood LH
10	46-8093	4	Screw-Plastite
11	99-5305	1	Support-Hood ASM
11:2	95-4258	1	Cover - Brace
11:3	614249	2	Strap-Tie
12	3296-29	16	Nut-Lock, NI
13	94-2308-03	1	Bumper - Frame
14	323-7	4	Screw-HH
15	95-4081-03	1	Support-Hood RH
16	98-9027-03	1	Bracket-Hinge, Lower RH
17	3230-16	4	Screw-CARR
18	3296-39	4	Nut-Lock, NI
19	99-5345	1	Support ASM
19:2	98-5014	1	Decal - Warning
26	98-9015	1	Lever - Hood Prop

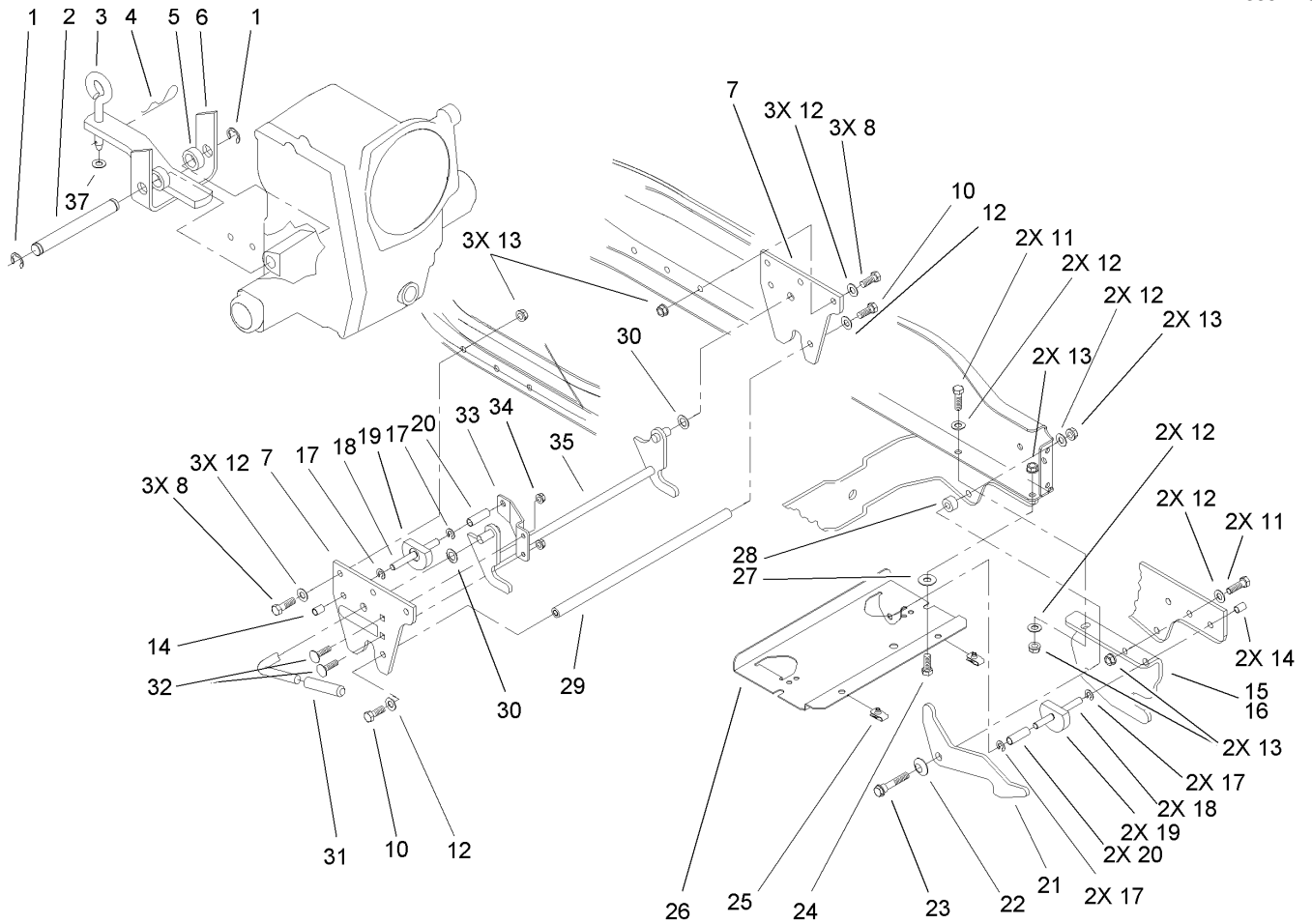
Ref	Part No.	Qty.	Description
27	37-8771	1	Bolt-Shoulder
28	3296-47	1	Nut-Lock, NI



Steering Tower and Fuel Tank Support Assembly

Ref	Part No.	Qty.	Description
1	3231-25	2	Screw-CARR
2	94-7740-03	1	Support-Gas Tank
3	3296-39	12	Nut-Lock, NI
4	94-2413	4	U-Nut
5	323-7	4	Screw-HH
6	2844	1	Washer
7	3235-22	5	Screw-HH Lock
8	107069	10	Clip
9	95-3961-03	1	Support - Fuel Tank
10	3296-29	3	Nut-Lock, NI
12	32144-112	2	Screw-HWH
13	95-3991	1	Filter - Hydraulic Screen
14	340-2	2	Fitting-Hyd, Straight
14:1	237-22	1	O-Ring
14:2	237-42	1	O-Ring
15	99-3703	1	Module-Cruise
16	105797	1	Ring-Retaining
17	3256-24	5	Washer-Flat
18	95-3892-03	1	Bracket - Latch
19	95-4165	1	Spring - Latch Lever
20	95-3899	1	Lever-Latch
21	95-3900	1	Latch - Tension Lever
22	37-8771	1	Bolt-Shoulder
23	95-3895	1	Spring - Latch Lever

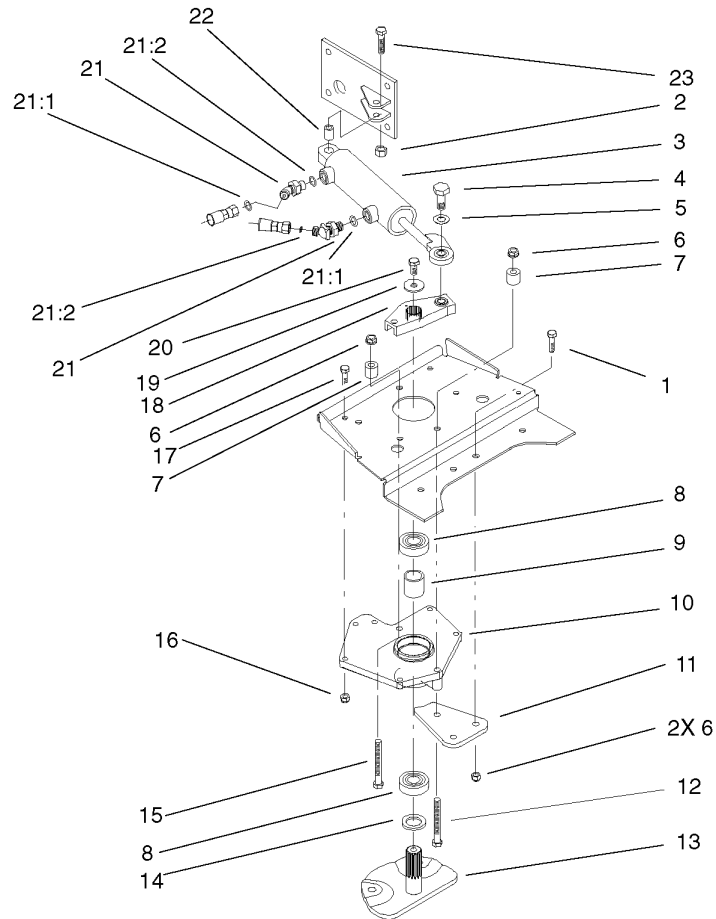
Ref	Part No.	Qty.	Description
24	321-4	3	Screw-HH
25	3253-3	3	Washer-Lock
26	3256-22	3	Washer-Flat
27	2412-106	1	Clamp-R
28	3256-22	1	Washer-Flat
29	3296-42	1	Nut-Lock, NI
30	3229-1	1	Screw-CARR
31	94-7971	1	Tube - Hydraulic
32	99-4441-03	1	Tower ASM
33	321-4	2	Screw-HH
34	95-4246	1	Baffle - Fan
35	3230-1	2	Bolt-CARR
36	99-5306-03	1	Frame
37	323-4	2	Screw-HH
38	95-4005-03	1	Cover - Rear
39	94-7972	1	Screw - HH
40	94-7739-03	1	Strap-Torque
41	323-6	4	Screw-HH
42	32115-15	1	Pushnut-Retainer, Bolt
43	99-3701	1	Module-Clutch



Attach-A-Matic and Hitch Assembly

Ref	Part No.	Qty.	Description
1	5618	2	E-Ring
2	105269	1	Pin-Stationary Hitch
3	106634	1	Pin-Tool
4	9335054	1	Pin-Hair
5	9791204	2	Spacer
6	98-8083-03	1	Hitch
7	94-2251-03	2	Plate - Hitch
8	323-44	6	Screw-HH
10	3235-22	2	Screw-HH Lock
11	323-7	4	Screw-HH
12	3256-24	16	Washer-Flat
13	3296-39	14	Nut-Lock, NI
14	105316	3	Cap-Rod, Plunger
15	94-2230-03	1	Hanger-RH
16	94-2231-03	1	Hanger - LH
17	105797	6	Ring-Retaining
18	94-2256	3	Rod - Lock
19	94-2258	3	Lock - Latch
20	8616	3	Spring
21	94-7777	2	Latch-Pulley Box
22	3290-221	2	Washer-Spring
23	92-7674	2	Bolt
24	323-6	2	Screw-HH
25	107069	2	Clip

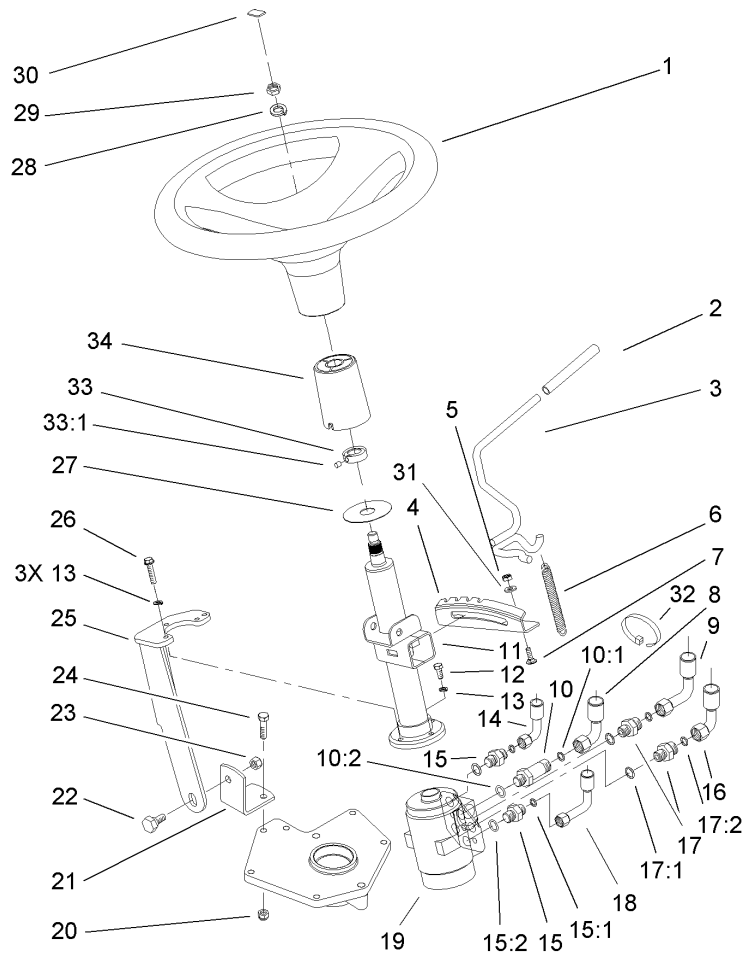
Ref	Part No.	Qty.	Description
26	94-2304-03	1	Tray - Battery
27	3-4685	2	Washer-Top Thrust
28	94-2233	2	Spacer
29	94-2475	1	Rod - Spacer
30	98-1629	2	Washer
31	9038	1	Grip
32	3230-2	2	Bolt-CARR
33	94-7855-03	1	Bracket-Mid Arm
34	3296-29	2	Nut-Lock, NI
35	94-2250-03	1	Latch
37	3256-26	1	Washer-Flat



Power Steering Lower Assembly

Ref	Part No.	Qty.	Description
1	323-7	2	Screw-HH
2	108881	1	Nut
3	99-1909	1	Cylinder-Power Steering
4	94-7976	1	Screw-HH
5	98-3087	1	Washer
6	3296-39	4	Nut-Lock, NI
7	94-7819	2	Spacer - Stop
8	251-82	2	Bearing-Ball
9	94-2219	1	Spacer - Power Steering
10	94-7581	1	Housing-Power Steering
11	94-7820-03	1	Plate-Power Steering
12	323-15	1	Screw-HH
13	94-2142-03	1	Shaft-Sector
14	3256-42	1	Washer-Flat
15	323-10	1	Screw-HH
16	3296-29	4	Nut-Lock, NI
17	322-6	4	Screw-HH
18	94-7556	1	Arm-Power Steering, Upper
19	2844	1	Washer
20	98-3052	1	Screw-Locking, Thread
21	95-4136	2	Fitting - Hydraulic 45
21:1	237-42	1	O-Ring
21:2	237-21	1	O-Ring
22	99-2320	1	Spacer-Cylinder

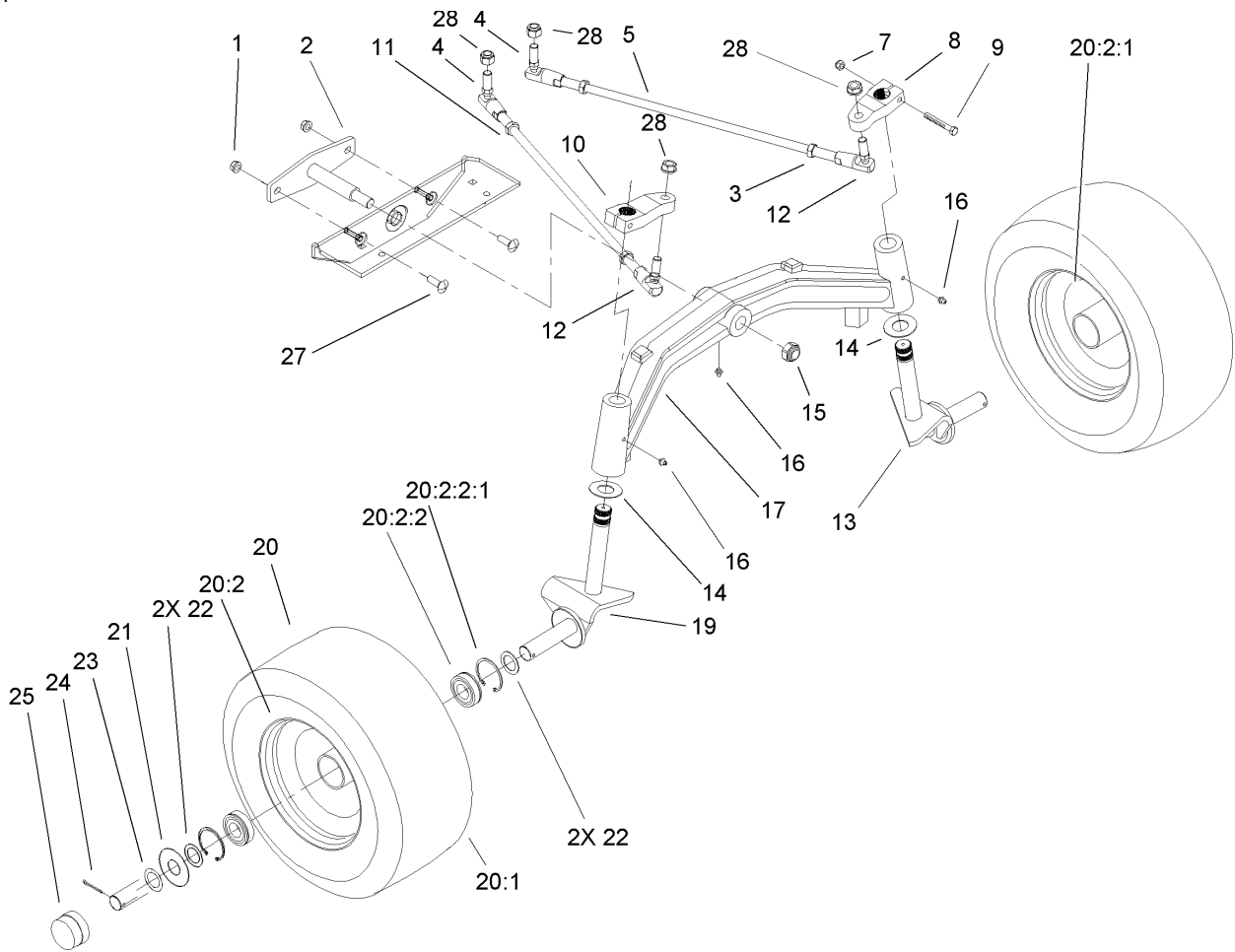
Ref	Part No.	Qty.	Description
23	323-9	1	Screw-HH



Power Steering and Tilt Assembly

Ref	Part No.	Qty.	Description
1	95-4200	1	Wheel - Steering
2	92-6798	1	Cap-Rod, Tilt
3	95-3964	1	Lever-Tilt
4	94-2382	1	Bracket - Detent
5	3296-42	2	Nut-Lock, NI
6	95-3805	1	Spring
7	3229-1	2	Screw-CARR
8	94-7947	1	Assembly - Hose
9	94-7949	1	Hose-ASM
10	95-4137	1	Fitting - Hydraulic Long
10:1	237-42	1	O-Ring
10:2	237-22	1	O-Ring
11	95-4198	1	Power Column ASM
12	33103-020	1	Screw-HHF
13	48-8020	4	Washer-Spring
14	94-7948	1	Hose-ASM
15	340-1	2	Adapter
15:1	237-21	1	O-Ring
15:2	237-42	1	O-Ring
16	95-3807	1	Hose ASM
17	340-2	2	Fitting-Hyd, Straight
17:1	237-22	1	O-Ring
17:2	237-42	1	O-Ring
18	94-7946	1	Hose ASM

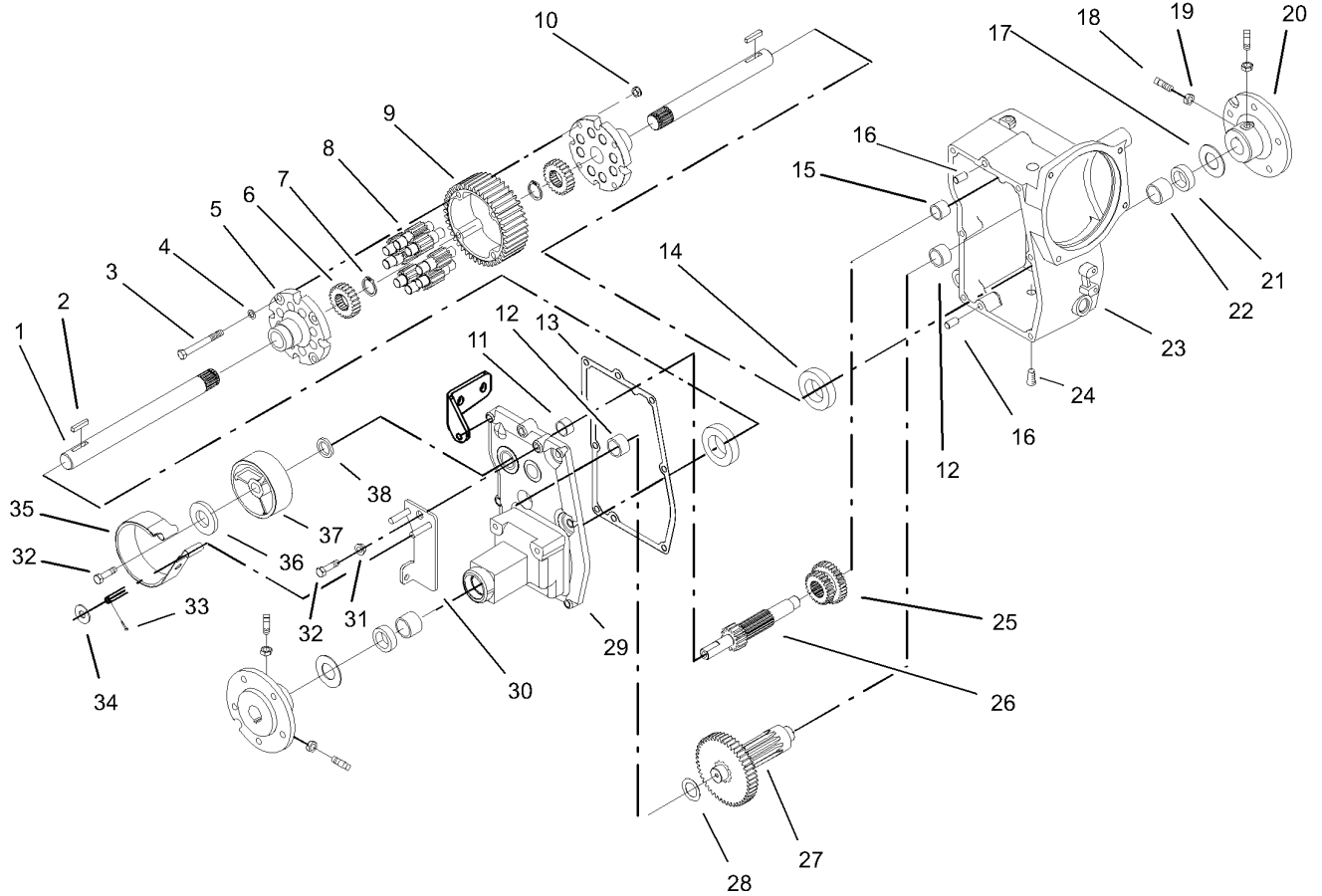
Ref	Part No.	Qty.	Description
19	94-7567	1	Control Unit-Power Steering
20	3296-29	2	Nut-Lock, NI
21	94-7599	1	Bracket-Pivot
22	94-7582	1	Bolt-Shoulder
23	108881	1	Nut
24	322-6	2	Screw-HH
25	94-7521-03	1	Pivot-Power String
26	33103-025	3	Screw-HHF
27	94-2025	1	Washer - Boot
28	69-8420	1	Washer-Lock
29	95-4182	1	Nut - HH Jam
30	95-4249	1	Logo Cap Nh
31	3256-22	2	Washer-Flat
32	614249	2	Strap-Tie
33	111383	1	Collar
33:1	3245-32	1	Screw-HS
34	95-4250	1	Spacer - Nh



Tie Rod, Spindle and Front Axle Assembly

Ref	Part No.	Qty.	Description
1	3296-39	2	Nut-Lock, NI
2	94-2205-03	1	Pin-Pivot
3	3220-5	2	Nut-Jam
4	94-7539	2	Balljoint - LH Thread
5	100-1121	2	Rod-Tie
7	3296-29	2	Nut-Lock, NI
8	94-2197	1	Arm - Steering LH
9	322-32	2	Screw-HH
10	94-2196	1	Arm - Steering RH
11	3220-12	2	Nut-Hj, LH Thread
12	98-8086	2	Balljoint - RH Thread
13	94-7537-03	1	Spindle-LH
14	9548	2	Washer-Thrust
15	3296-61	1	Nut-Lock
16	302-5	3	Fitting-Grease
17	94-7568-03	1	Axle-Front
19	94-7536-03	1	Spindle-RH
20	99-3666	2	Wheel & Tire Asm, Nh
20:1	99-3696	1	Tire
20:2	94-7852	1	Rim Asm, Nh
20:2:1	5108	1	Valve
20:2:2	94-7538	2	Bearing
20:2:2:1	94-2053	1	Ring-Snap
20:99	112819	1	Tube-Inner

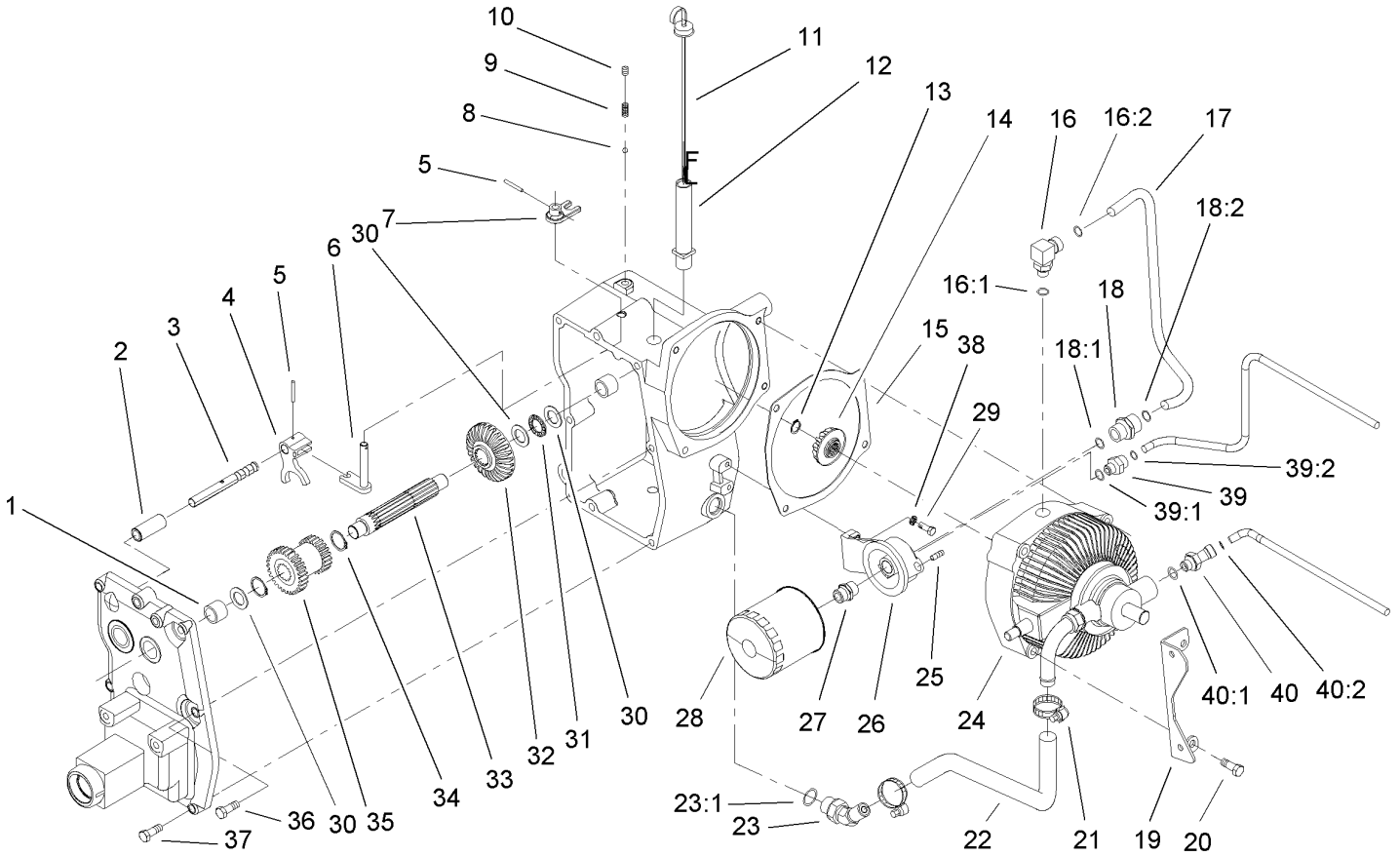
Ref	Part No.	Qty.	Description
21	95-4060	2	Washer - Wheel
22	9202514	4	Washer
23	9202524	2	Washer
24	3272-18	2	Pin-Cotter
25	94-7871	2	Cap-Dust
27	3231-25	2	Screw-CARR
28	98-8089	4	Nut-Lock



Hydro Transaxle Assembly

Ref	Part No.	Qty.	Description
1	79-3340	2	Axle-Rear
2	79-3370	2	Key
3	911423	4	Bolt-Hex
4	107374	4	Washer
5	111196	2	End Cap-Differential
6	101889	2	Gear-Axle Differential
7	105876	2	Ring-Snap
8	101623	8	Gear-Pinion 11t
9	105061	1	Gear-Differential Ring 43t
10	108881	4	Nut
11	1540	1	Bearing-Needle
12	94-2021	2	Bearing - Needle
13	99-5334	1	Gasket-Case
14	111199	2	Bearing-Ball
15	1529	1	Bearing-Needle
16	108363	2	Pin-Locating
17	106826	2	Washer-Thrust
18	3243-5	4	Screw-Set
19	3218-3	4	Nut-Jam
20	105763-03	2	Hub-Wheel
21	6449	2	Seal-Oil
22	9416	2	Bearing
23	94-2001-03	1	Case-Lh, Trans
24	99-8551	1	Plug-Pipe

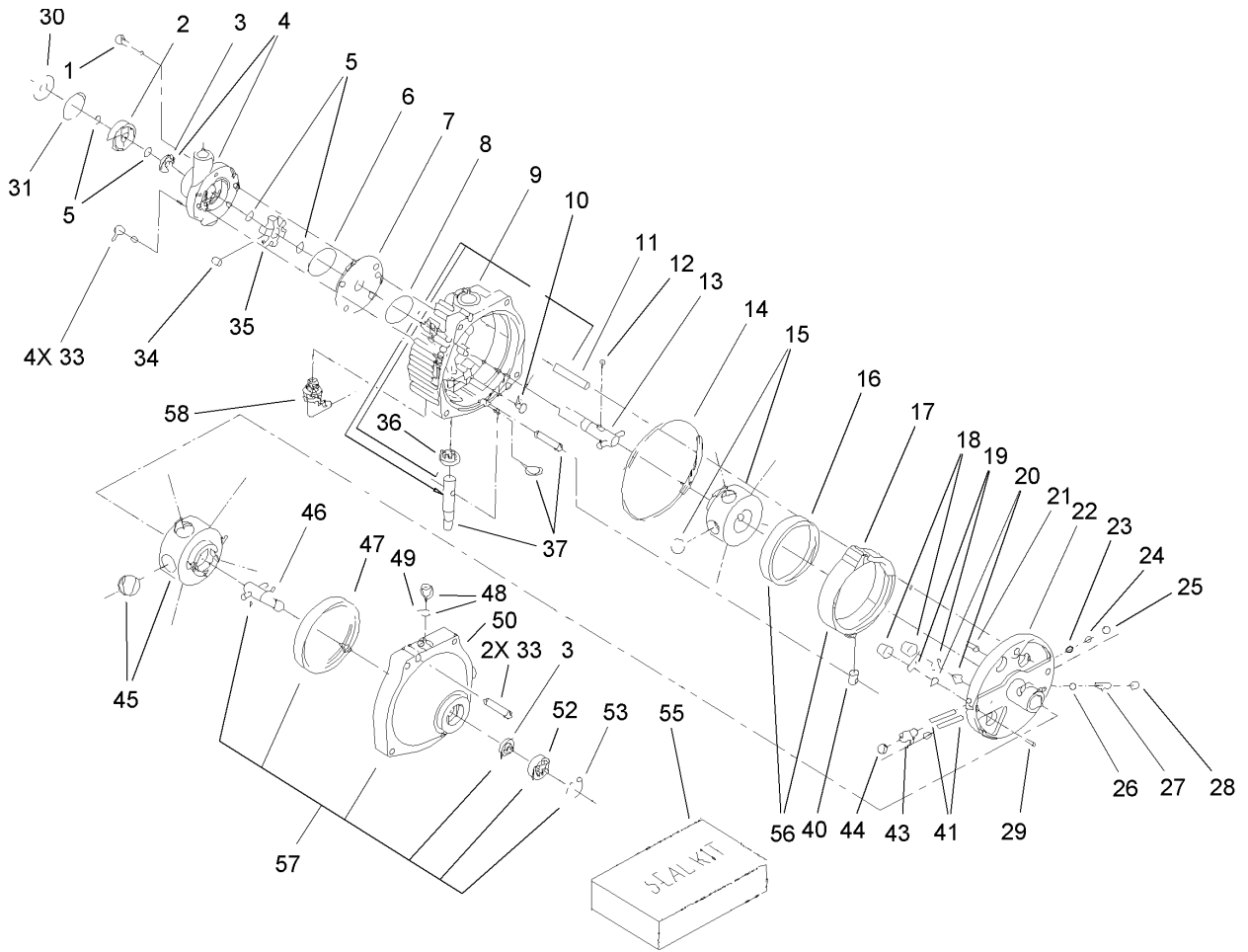
Ref	Part No.	Qty.	Description
25	94-2008	1	Gear - Sliding
26	94-2007	1	Shaft - Brake
27	94-2006	1	Gear ASM
28	9547	1	Washer-Thrust
29	94-2002-03	1	Case-Rh, Trans
30	94-2019-03	1	Arm-Brake Pivot
31	100309	1	Cam-Spacer
32	3235-22	2	Screw-HH Lock
33	3272-6	2	Pin-Cotter
34	3256-24	2	Washer-Flat
35	94-2419	1	Band - Brake
36	2844	1	Washer
37	94-2009	1	Drum - Brake
38	253-44	1	Seal-Oil



Hydro Transmission Assembly

Ref	Part No.	Qty.	Description
1	1529	2	Bearing-Needle
2	94-2014	1	Tube - Shifter Rail
3	94-2054	1	Rail - Shift
4	94-2015	1	Fork - Hi/lo Shift
5	933154	2	Pin-Roll
6	94-2143	1	Arm-Shifter
7	94-7510	1	Shift - Hi/lo
8	3517	1	Ball-Detent
9	94-2024	1	Spring - Shift Detent
10	3247-2	1	Screw-Set, HS
11	94-7680-03	1	Dipstick
12	94-7559	1	Tube - Dipstick
13	32120-64	1	Ring-Snap, External
14	94-7565	1	Pinion - Bevel
15	702062	1	Gasket-Trans
16	94-7693	1	Fitting 90 DEG
16:1	237-42	1	O-Ring
16:2	237-30	1	O-Ring
17	94-7969	1	Tube - Hydraulic
18	94-7694	1	Fitting-Straight
18:1	237-42	1	O-Ring
18:2	237-30	1	O-Ring
19	94-2148-03	1	Plate-Support Bracket
20	323-13	4	Screw-HH

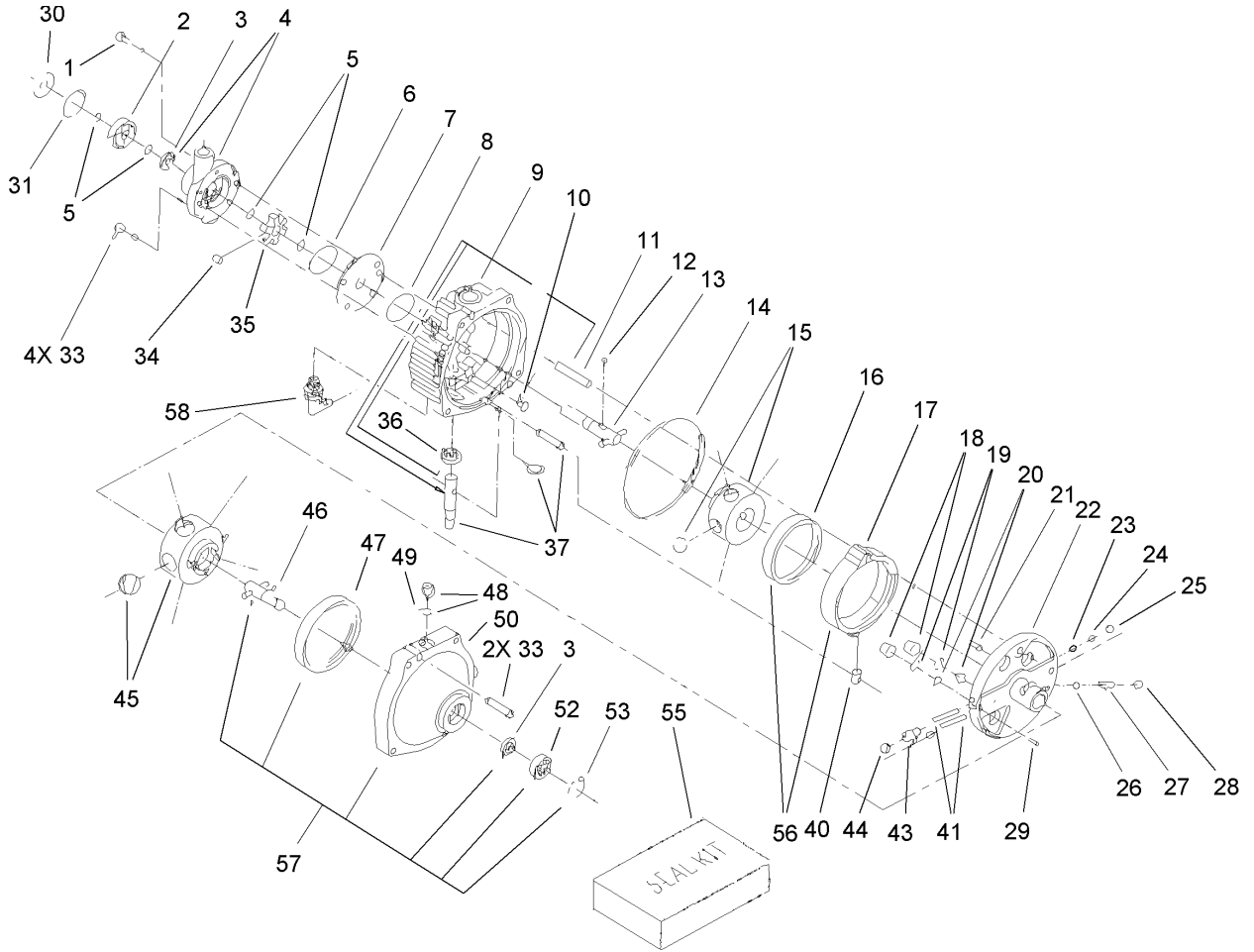
Ref	Part No.	Qty.	Description
21	2412-141	2	Clamp-Drive, Worm
22	95-4133	1	Hose - Suction
23	94-7692	1	Fitting - Hose
23:1	237-80	1	O-Ring
24	94-2003	1	Transmission - Hydro
25	99-8551	1	Plug-Pipe
26	108323	1	Base-Filter
27	5991	1	Fitting
28	98-3596	1	Ass'y-Oil Filter
29	321-5	2	Screw-HH
30	1535	3	Washer-Thrust
31	8571	1	Bearing-Thrust
32	94-7566	1	Gear - Bevel
33	94-2010	1	Shaft - Input
34	32151-29	2	Ring-Retaining
35	94-2011	1	Gear - Hi/lo
36	323-9	3	Screw-HH
37	323-8	2	Screw-HH
38	3253-3	2	Washer-Lock
39	340-2	1	Fitting-Hyd, Straight
39:1	237-22	1	O-Ring
39:2	237-42	1	O-Ring
40	95-4135	1	Fitting - Hydraulic 45
40:1	237-42	1	O-Ring



Hydro Transmission Assembly No. 94-2003

Ref	Part No.	Qty.	Description
1	56-2800	1	Capscrew
2	56-2810	1	Bearing
3	56-2820	2	Oil Seal
4	98-7377	1	Pump Assembly
5	56-3090	4	Ring
6	56-2850	1	Seal
7	56-2860	1	Plate
8	56-2870	1	Seal
9	112641	1	Cover Sub ASM
10	56-2880	2	Button
11	56-2890	1	Pin
12	56-2900	1	Pin
13	56-2910	1	Shaft
14	56-2920	1	Seal
15	56-2930	1	Rotor
16	113136	1	Pump-Race
17	93-9810	1	Ring - Cam
18	56-2950	2	Piston
19	56-2960	2	Ring
20	56-2970	2	O-Ring
21	56-2980	1	Pin
22	56-2990	1	Pintle
23	56-3000	2	Ring
24	56-3010	2	Ball

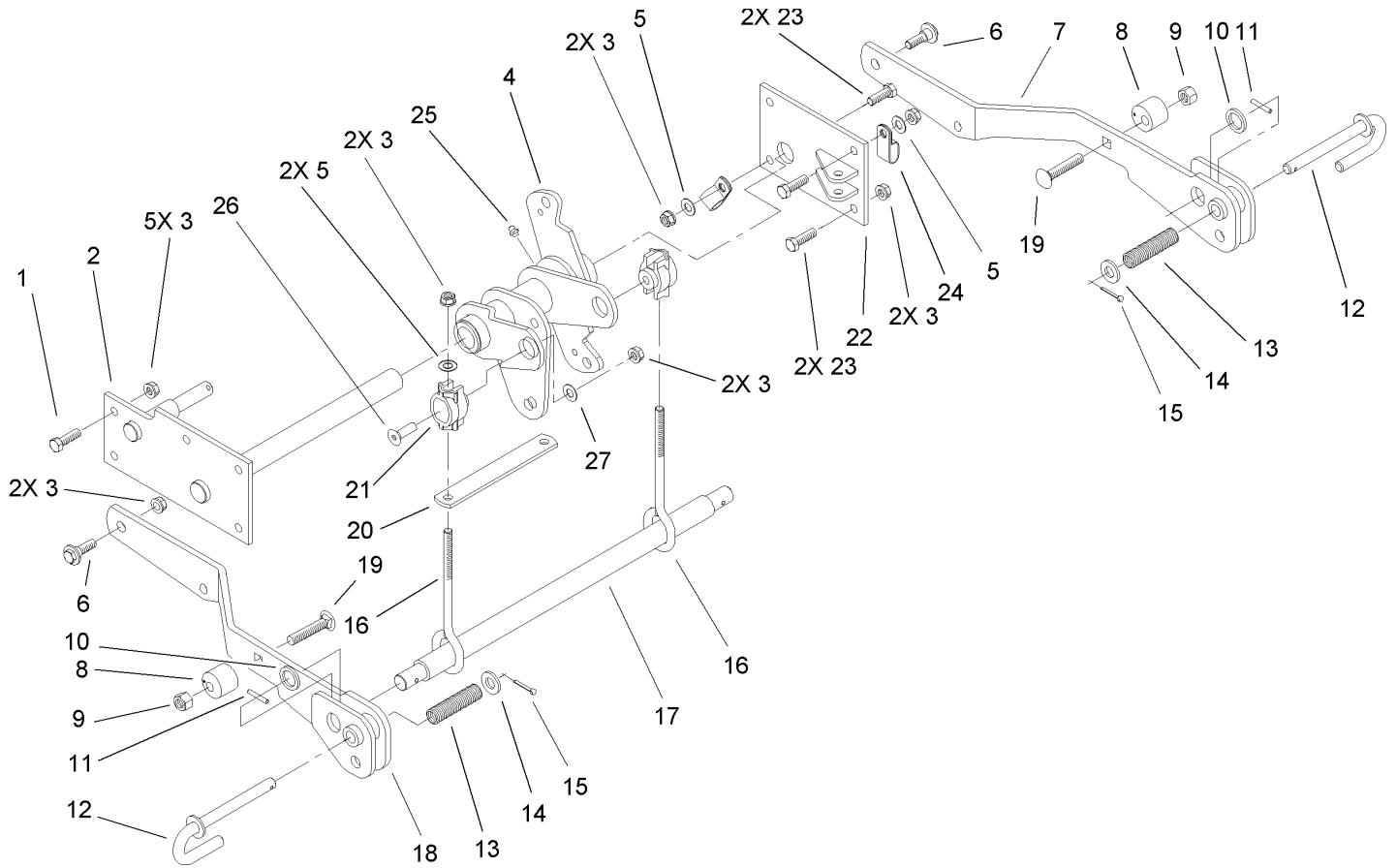
Ref	Part No.	Qty.	Description
25	56-3020	2	Body
26	56-3030	1	Ball
27	56-3040	1	Spring
28	56-3050	1	Plug
29	56-3060	1	Pin
30	112652	1	Shield-Grass
31	112653	1	Retaining-Ring
33	56-3100	6	Capscrew
34	56-3110	6	Roll
35	56-3120	1	Carrier
36	56-3130	1	Oil Seal
37	56-3140	1	Shaft Kit
40	56-3170	1	Insert
41	56-3180	2	Spring
43	56-3200	2	Body
44	56-3210	2	Ball
45	56-3220	1	Rotor
46	56-3230	1	Shaft
47	56-3240	1	Race
48	56-3250	1	Plug ASM
49	56-3260	1	O-Ring
50		1	Body
52	112602	1	Bearing-Ball (Input)
53	56-3290	1	Ring



Hydro Transmission Assembly No. 94-2003 (continued)

Ref	Part No.	Qty.	Description
55	56-3310	1	Seal Kit
56	56-2940	1	Cam Ring ASM
57		1	Body ASM
58	98-7378	1	Fitting - 90 DEG Bent Tube

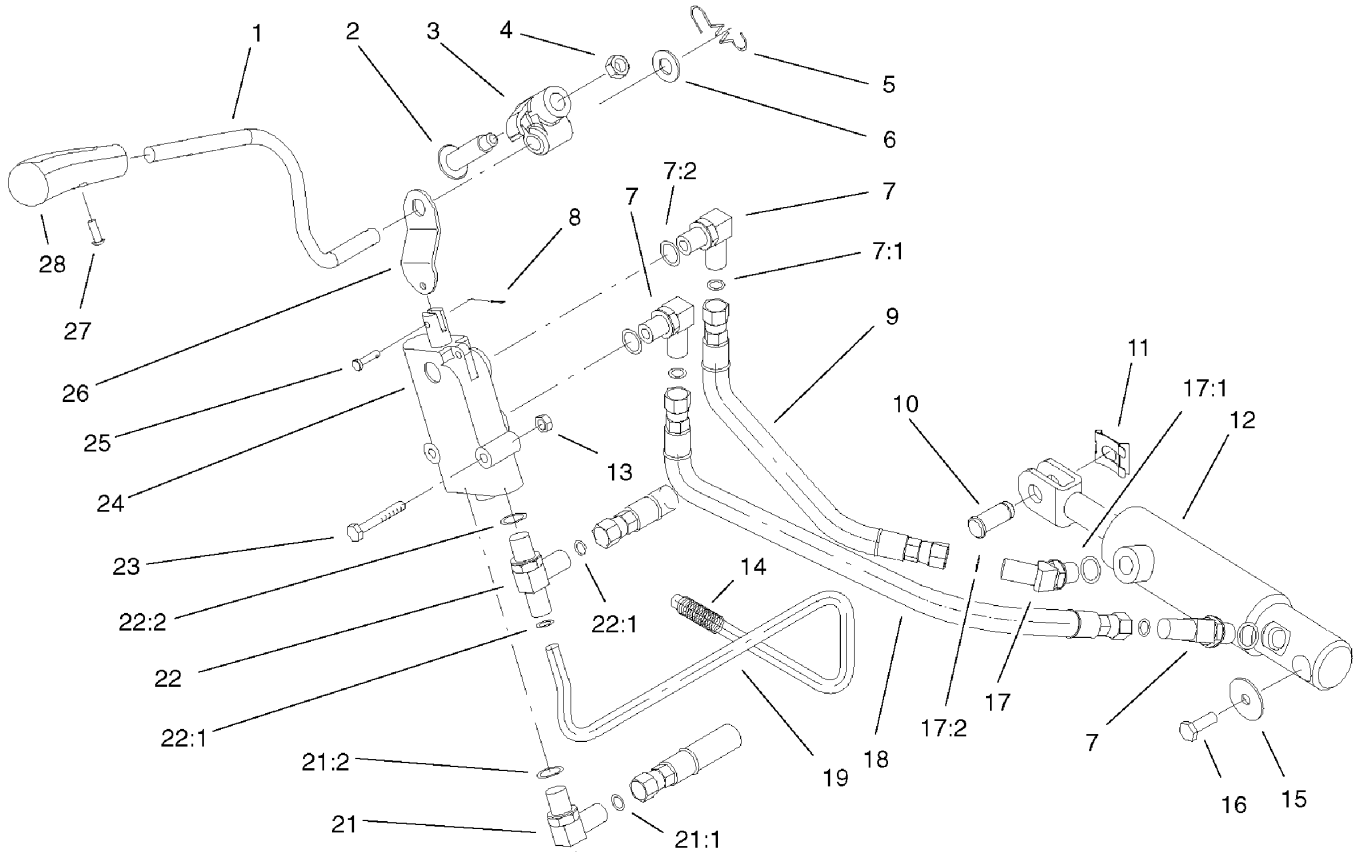
--	--	--	--



Hydro Lift Lower Assembly

Ref	Part No.	Qty.	Description
1	323-7	5	Screw-HH
2	94-2263-03	1	Support-Deck Lift
3	3296-39	15	Nut-Lock, NI
4	99-4430	1	Bellcrank And Bushing ASM
5	3256-24	4	Washer-Flat
6	614672	2	Bolt-Shoulder
7	94-2279-03	1	Arm-Lift LH
8	94-2411	2	Stop - Lift Adj
9	3296-48	2	Nut-Lock, NI
10	3256-28	2	Washer-Flat
11	32121-79	2	Pin-Roll
12	94-2301	2	Pin - J
13	95-4256	2	Spring-Compression
14	3256-26	2	Washer-Flat
15	3272-10	2	Pin-Cotter
16	104-5079	2	Rod-Lift
17	94-2277-03	1	Bar - Lift
18	94-2278-03	1	Arm-Lift RH
19	3232-5	2	Screw-CARR
20	94-7600	1	Spacer-Strap
21	99-2344	2	Sleeve-Lift
22	99-3746-03	1	Support-Cylinder
23	323-18	4	Screw-HH
24	98-1617	1	Clamp-Tube

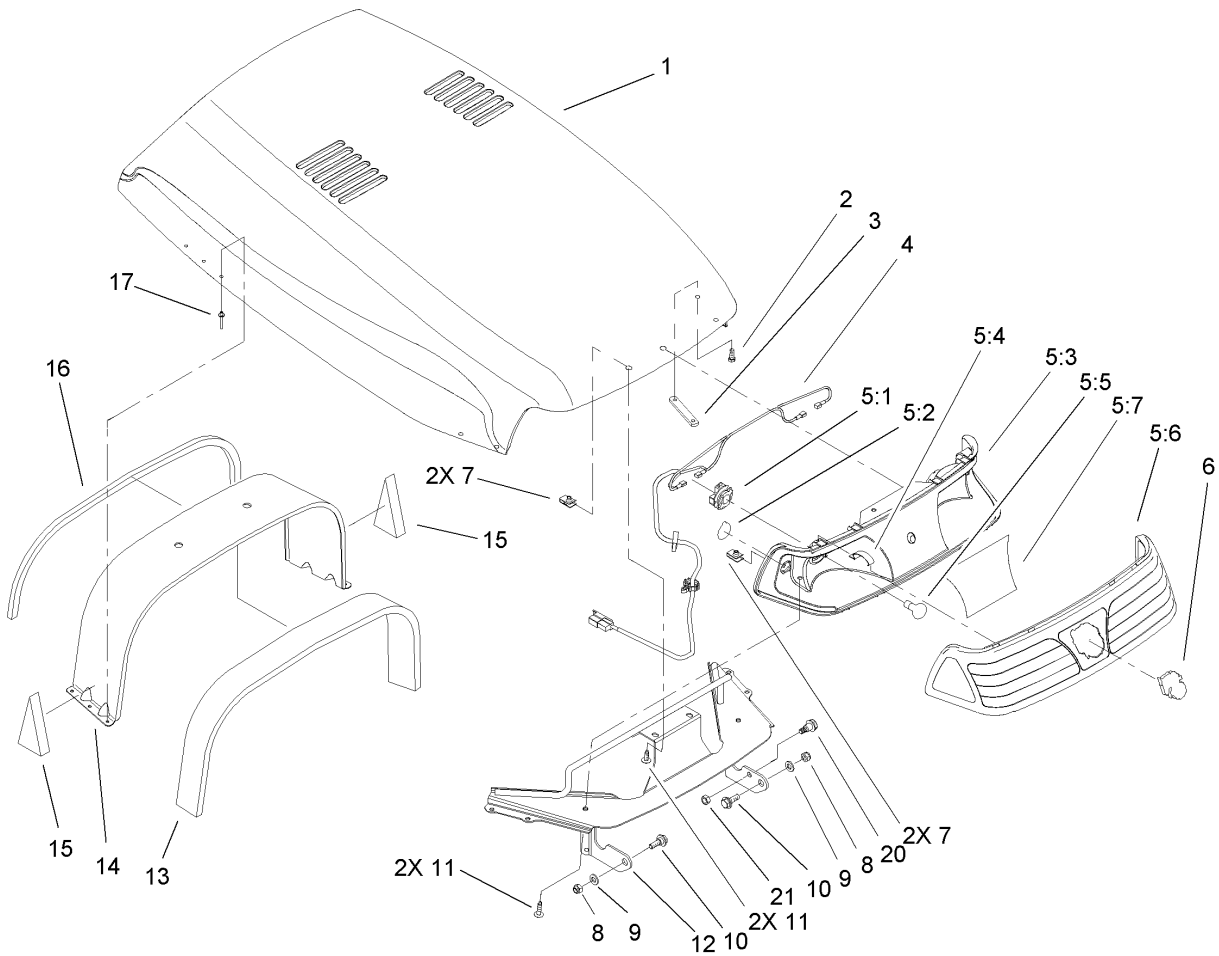
Ref	Part No.	Qty.	Description
25	302-5	1	Fitting-Grease
26	99-8051	2	Screw
27	99-6496	2	Washer-Flat



Hydro Lift Upper Assembly

Ref	Part No.	Qty.	Description
1	94-7714	1	Handle - Lift
2	92-1099	1	Bolt-Shoulder
3	95-4168	1	Trunnion - Lift Lever
4	610358	1	Nut-Jam, Locking
5	95-4221	1	Spring - Lift Extension
6	95-4235	1	Washer
7	95-4141	3	Fitting - Hydraulic 90
7:1	237-21	1	O-Ring
7:2	237-42	1	O-Ring
8	3272-1	1	Pin-Cotter
9	94-7945	1	Hose ASM
10	98-1639	1	Pin-Clevis
11	95-4064	1	Clip-Pin
12	94-2300	1	Lift Cylinder ASM
13	3296-42	2	Nut-Lock, NI
14	95-4258	2	Cover - Brace
15	3256-57	1	Washer-Flat
16	95-4245	1	Screw - Thread Locking
17	95-4136	1	Fitting - Hydraulic 45
17:1	237-42	1	O-Ring
17:2	237-21	1	O-Ring
18	94-7944	1	Hose ASM
19	94-7970	1	Tube - Hydraulic
21	95-4140	1	Fitting - Hydraulic 90

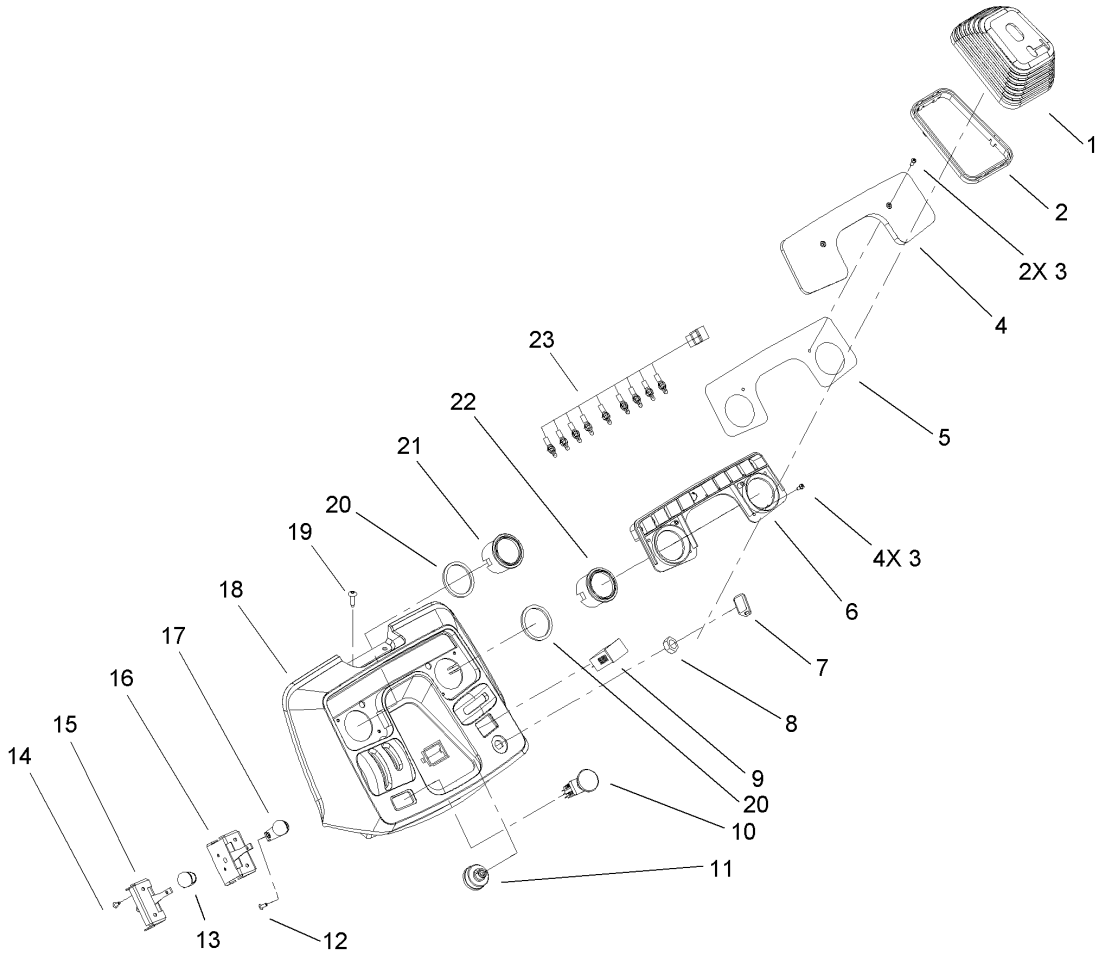
Ref	Part No.	Qty.	Description
21:1	237-22	1	O-Ring
21:2	237-42	1	O-Ring
22	95-4134	1	Fitting - Hydraulic Tee
22:1	237-22	1	O-Ring
22:2	237-42	2	O-Ring
23	321-10	2	Screw-HH
24	95-4019	1	Valve - Hydraulic
25	283-16	1	Pin-Clevis
26	98-1620	1	Link - Lift
27	95-4236	1	Tscrew - PPH
28	94-2100	1	Knob - Lift



Hood and Headlight Assembly

Ref	Part No.	Qty.	Description
1	98-7206	1	Assembly - Hood
2	63-8590	4	Screw
3	99-2323	2	Plate-Nut
4	95-0691	1	Harness - Wire,lights
5	95-4167	1	Assembly - Headlight Nh
5:1	7228	2	Bulb
5:2	94-2098	1	Reflector - Headlight
5:3	95-3881	1	Lens - Headlight
5:4	95-4129	4	Clip - Retainer
5:5	98-1602	2	Decal - Sidelight
5:6	98-3591	2	Sealed Socket ASM
5:7	98-3597	1	Decal-Headlight Reflector
6	107-7338	1	Emblem - Logo
7	107069	4	Clip
8	3296-29	2	Nut-Lock, NI
9	3256-23	2	Washer-Flat
10	27-0410	2	Screw-Shoulder
11	92-7020	4	Screw-HH
12	99-4962-03	1	Bulkhead-Front
13	95-4078	1	Foam Seal-Rear
14	95-3902-03	1	Bulkhead-Rear
15	95-4259	2	Foam - Lower Bulkhead
16	95-4233	1	Foam - Tape
17	3269-12	6	Rivet-Pop

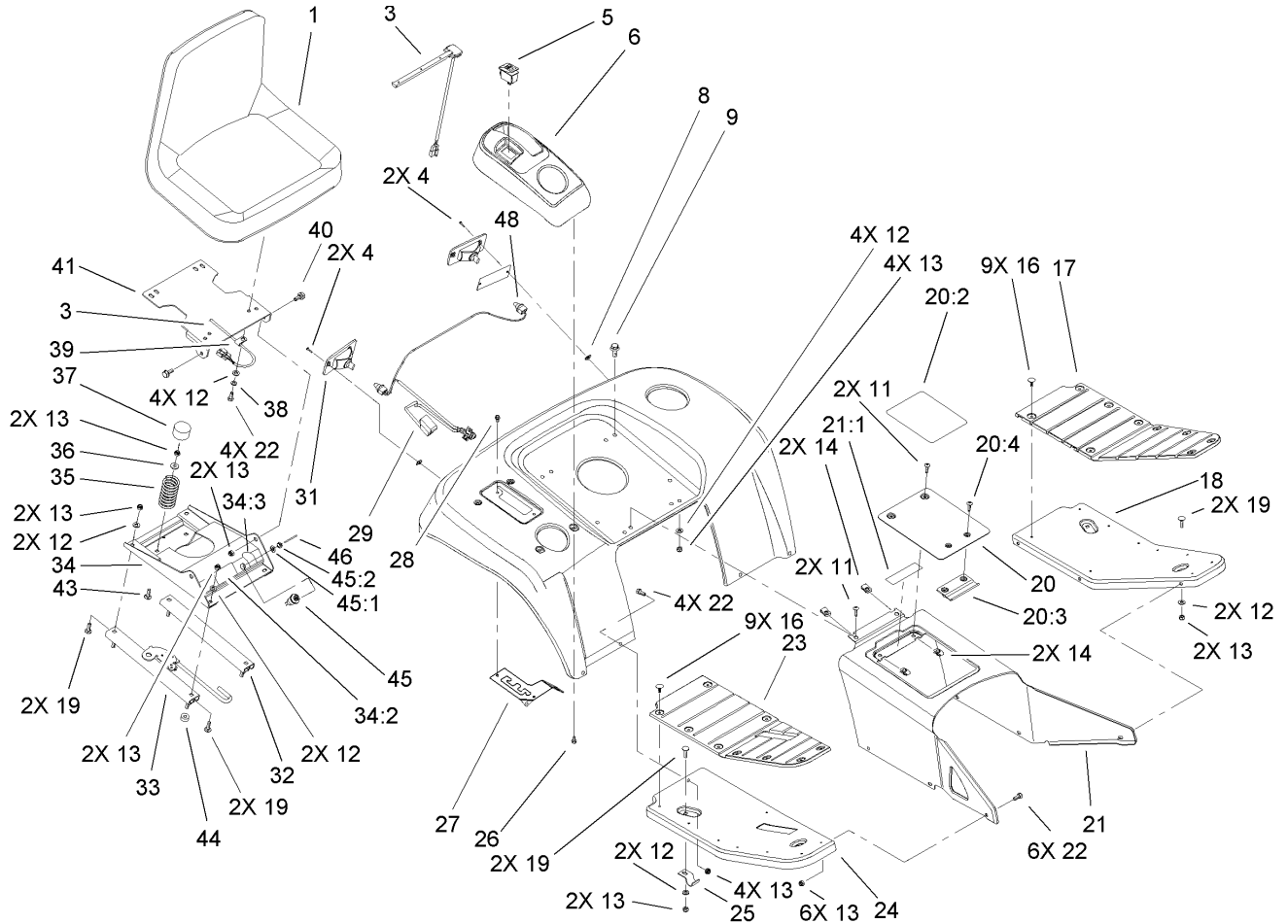
Ref	Part No.	Qty.	Description
20	92-6986	1	Bolt-Shoulder
21	3296-47	1	Nut-Lock, NI



Dash Assembly

Ref	Part No.	Qty.	Description
1	94-2102	1	Boot - Steering
2	95-3844	1	Retainer - Boot
3	95-4234	6	Screw-Pan Hd
4	95-3842	1	Lens - Dash
5	95-4072	1	Decal - Dash Lens
6	95-3843	1	Housing-Light, Dash
7	700918	1	Key
8	700919	1	Nut
9	94-4208	1	Hourmeter
10	95-4108	1	Switch - PTO Nh
11	92-6785	1	Switch-Ignition
12	95-4236	2	Tscrew - PPH
13	95-4105	1	Knob - Throttle
14	32144-32	4	Screw
15	95-4036	1	Throttle Control ASM
16	95-4035	1	Choke Control ASM
17	94-2122	1	Knob - Choke
18	94-2101	1	Dash
19	92-7020	4	Screw-HH
20	95-4238	2	Gasket - Foam
21	94-7616	1	Gauge - Oil Temperature
22	95-3830	1	Gauge-Fuel
23	99-3720	1	Harness-Light

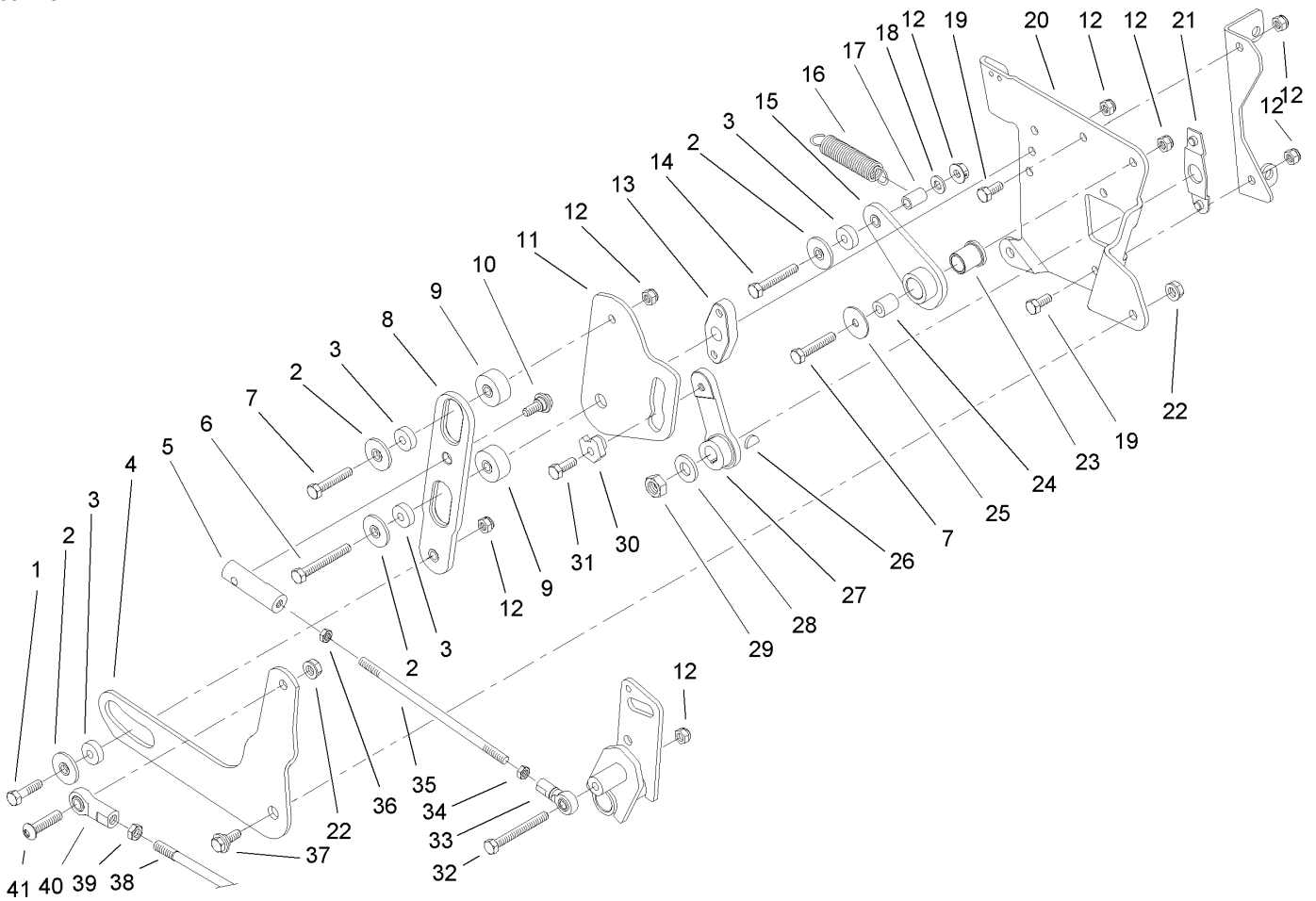
--	--	--	--



Fender, Footrest and Seat Assembly

Ref	Part No.	Qty.	Description
1	107-9204	1	Seat-Gt, Nh
3	38-1420	1	Switch-Seat
4	3250-29	4	Screw-PPH
5	94-7602	1	Switch - Cruise
6	94-2120	1	Pod - Control
8	95-4115	4	Nut - Speed
9	3234-29	4	Screw-HHF
11	92-7020	4	Screw-HH
12	3256-23	16	Washer-Flat
13	3296-29	26	Nut-Lock, NI
14	107069	4	Clip
16	3290-479	18	Fastener-Panel
17	94-2096	1	Pad - LH Footrest
18	94-2090-04	1	Footrest - LH
19	3230-16	8	Screw-CARR
20	99-6091	1	ASM-Cover/decals
20:2	107-9221	1	Decal-Danger, Nh
20:3	95-4107	1	Retainer - Cover
20:4	94-4496	2	Screw-PPH
21	99-6130	1	Tunnel W/decals ASM
21:1	80-8760	1	Decal-Danger
22	322-3	14	Screw-HH
23	94-2095	1	Pad - RH Footrest
24	94-2089-04	1	Footrest - RH

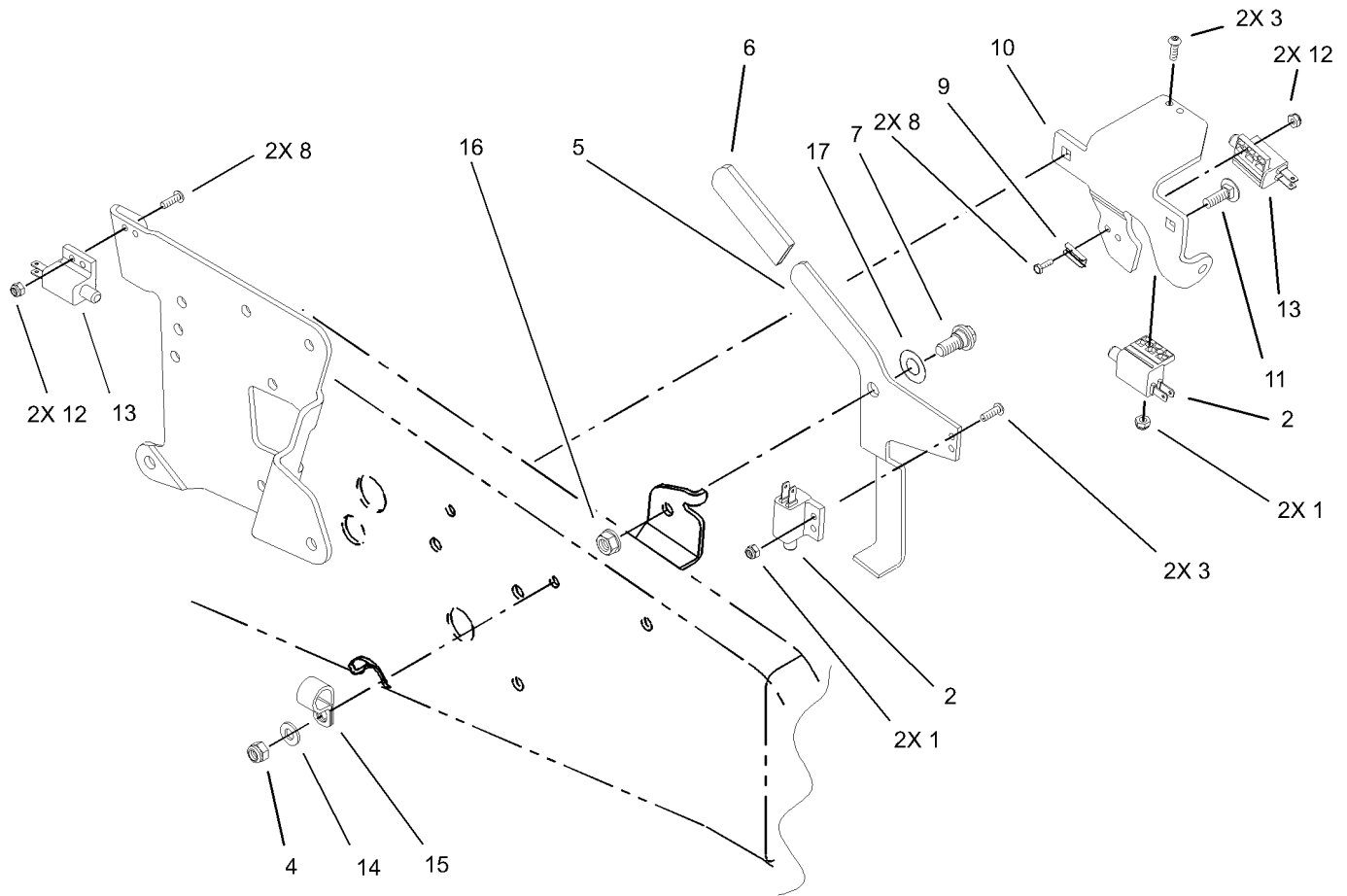
Ref	Part No.	Qty.	Description
25	95-3858	2	Bracket-Footrest
26	32144-20	4	Screw-Thread Forming
27	98-8711-03	1	Gate - Hi/lo Shift
28	32144-4	2	Screw-HWH
29	99-3726	1	Harness-Rear
31	94-2124	2	Lamp - Taillight
32	94-2112	1	Slide - Seat Slave
33	94-2177	1	Slide - Seat Latch
34	104-5063	1	Seat Base Asm, Nh Decal
34:2	99-2985	1	Danger-Decal
34:3	99-8894	1	Decal-Nmir Switch
35	94-2106-03	2	Spring - Compression
36	105503	2	Bushing
37	95-4242	2	Cap - Seat Spring
38	3253-4	4	Washer-Lock
39	98-2390	1	Clamp - R
40	37-8771	2	Bolt-Shoulder
41	104-4345-03	1	Mount-Seat
43	3230-22	2	Screw-CARR
44	4-2390	4	Washer-Flat
45	46-5780	1	Switch-Starter
45:1	3254-5	1	Washer-Tooth
45:2	218-461	1	Nut-HH
46	98-4486	1	Key-Ignition



Smart Turn Rear Assembly

Ref	Part No.	Qty.	Description
1	322-6	1	Screw-HH
2	94-2313	4	Retainer - Bearing
3	95-4185	4	Bearing - Ball
4	95-3801-03	1	Slider-Lift
5	94-7637	1	End-Rod, RH
6	322-12	1	Screw-HH
7	322-9	2	Screw-HH
8	94-2144	1	Slider - Speed Control
9	94-2169	2	Standoff - Cam Plate
10	94-7817	1	Bolt-Shoulder
11	94-2145	1	Plate - Cam
12	3296-29	8	Nut-Lock, NI
13	94-2168	1	Standoff - Slider
14	322-10	1	Screw-HH
15	94-7586	1	Arm-Return To Neutral
16	63-1590	1	Spring-Idler
17	94-2309	1	Standoff - Spring
18	3256-23	1	Washer-Flat
19	322-3	2	Screw-HH
20	99-8053-03	1	Plate-Control
21	94-7814	1	Locator-Control Plate
22	108881	2	Nut
23	94-7913	1	Bushing - Flanged
24	94-7564	1	Spacer

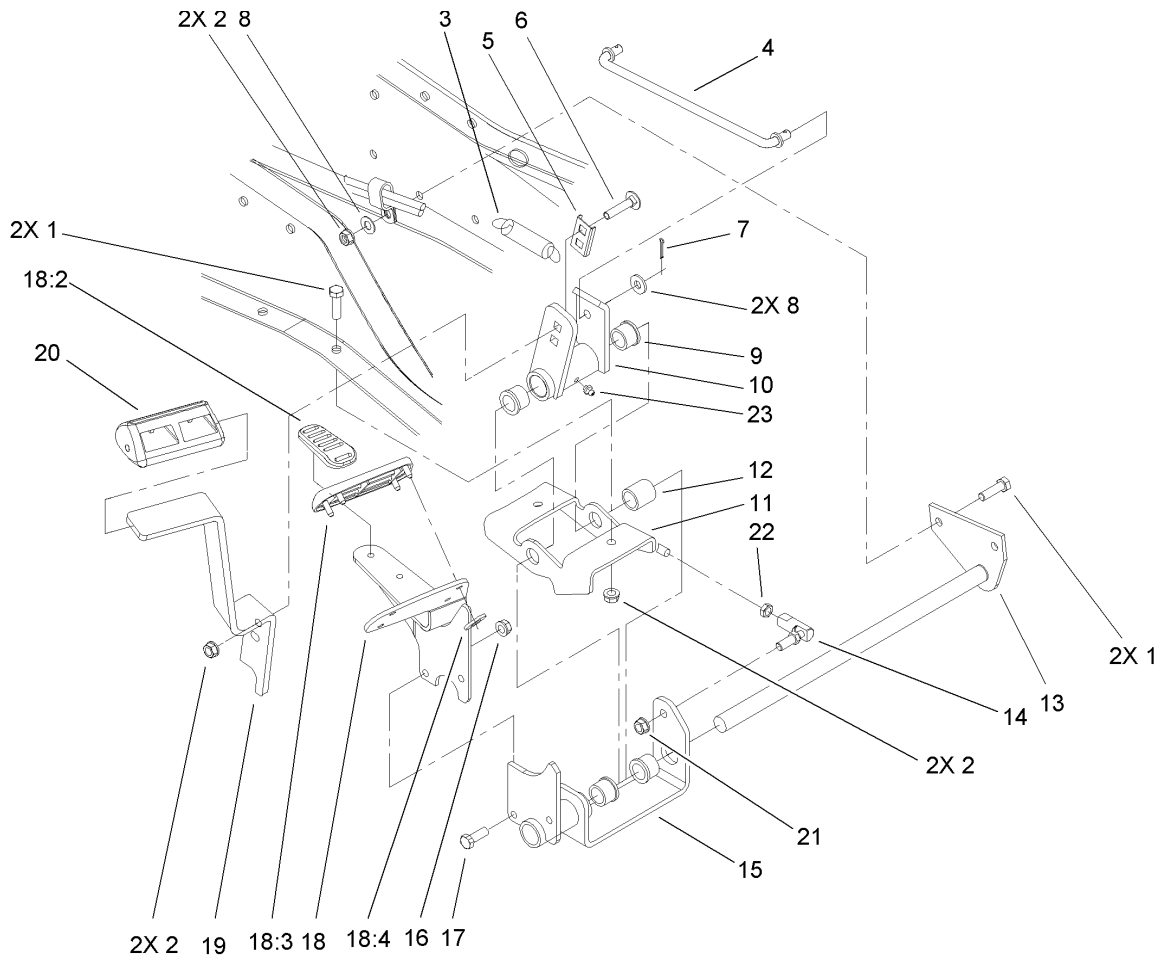
Ref	Part No.	Qty.	Description
25	3256-57	1	Washer-Flat
26	3257-24	1	Key-Woodruff
27	94-7816	1	Arm - Speed Control
28	3256-26	1	Washer-Flat
29	3296-45	1	Nut-Lock, NI
30	94-2468	1	Cam
31	95-4245	1	Screw - Thread Locking
32	322-13	1	Screw-HH
33	94-7571	1	End - RH Rod
34	3220-20	1	Nut-Jam
35	94-2497	1	Rod - Slider To Pivot
36	3220-2	1	Nut
37	94-7582	1	Bolt-Shoulder
38	94-7500	1	Rod-Lift
39	3220-3	1	Nut-Jam
40	92-7008	1	End-Rod, Female
41	95-3857	1	Screw-HSBH



Parking Brake Upper Assembly

Ref	Part No.	Qty.	Description
1	3296-2	4	Nut-Lock
2	65-7410	2	Switch-Pole, Single
3	3274-14	4	Screw-HSH
4	3296-29	2	Nut-Lock, NI
5	94-2157-03	1	Latch-Parking Brake
6	102597	1	Grip
7	94-7582	1	Bolt-Shoulder
8	99-8128	4	Screw
9	94-7905	1	Retainer-Screw
10	94-7562-03	1	Bracket - Switch
11	3230-16	2	Screw-CARR
12	3296-1	4	Nut-Lock, NI
13	95-1653	2	Switch-Pole, Single
14	3256-23	1	Washer-Flat
15	98-2358	1	Clamp - R
16	108881	1	Nut
17	98-3087	1	Washer

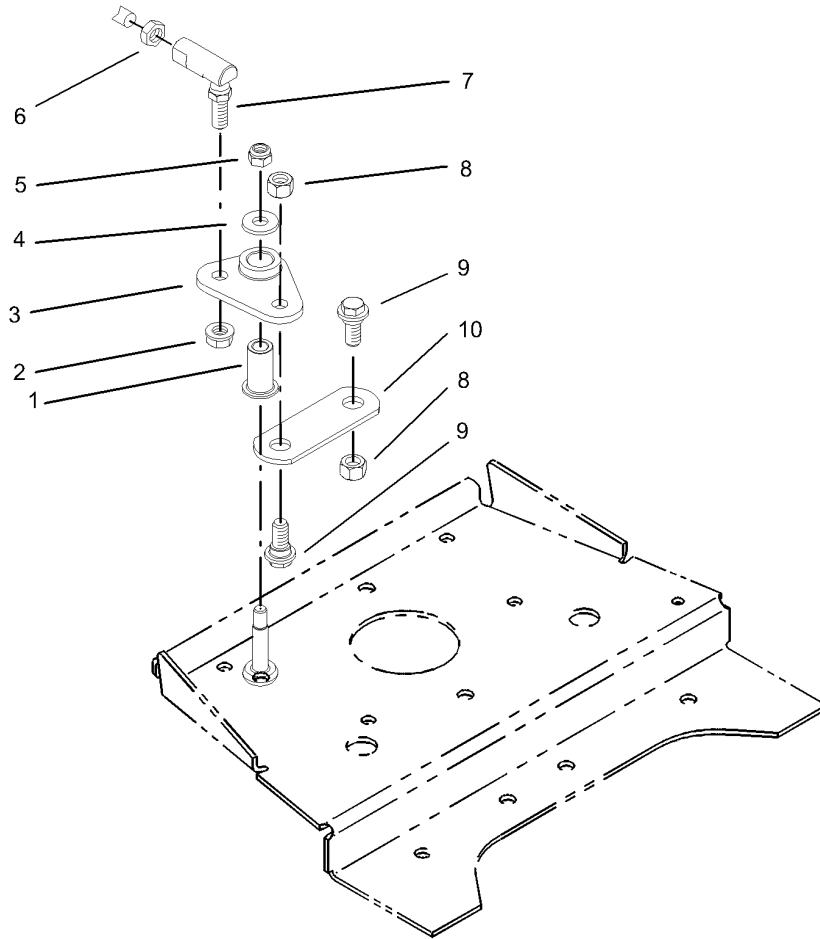
--	--	--	--



Hydro Control Assembly

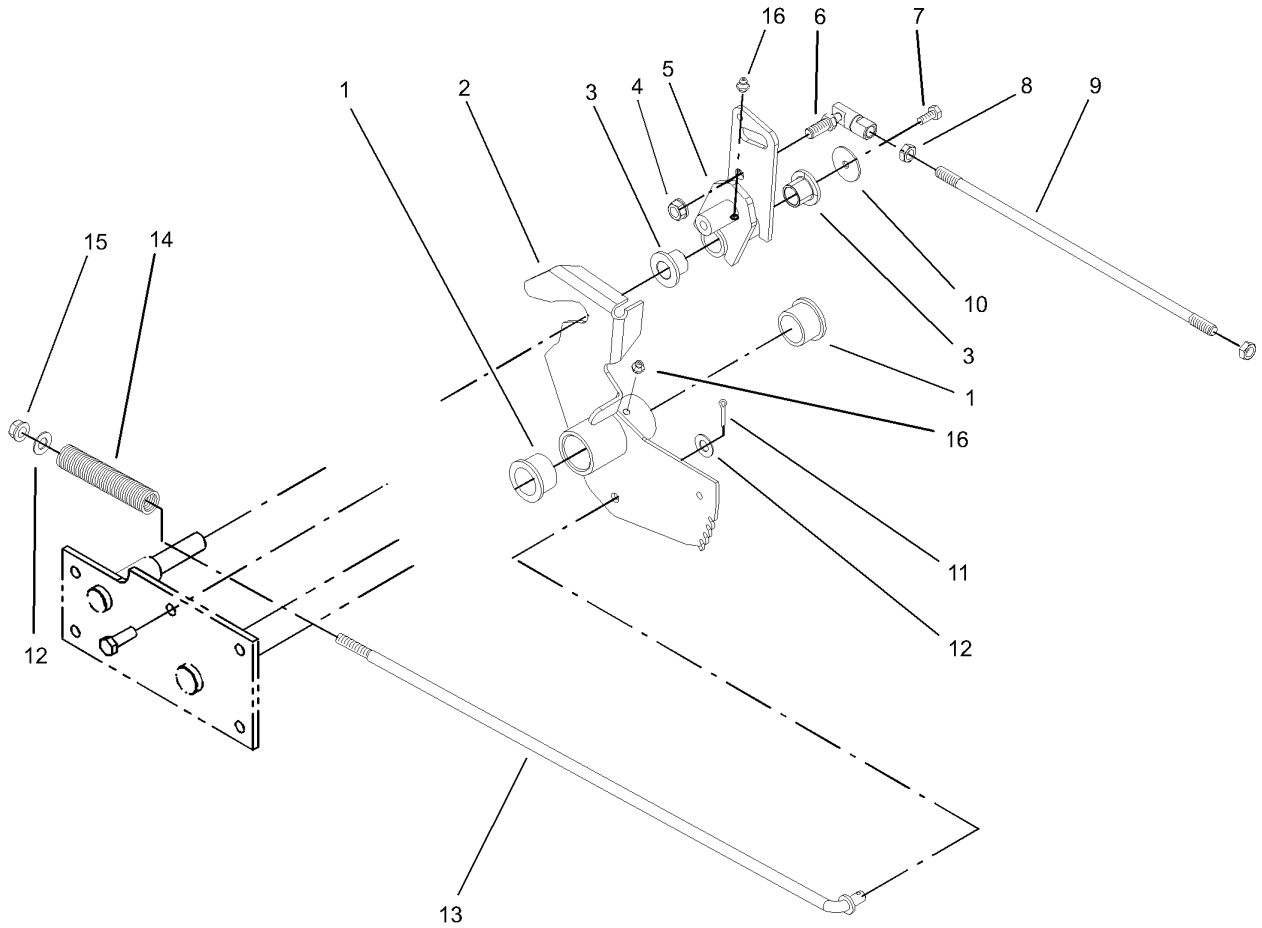
Ref	Part No.	Qty.	Description
1	323-7	4	Screw-HH
2	3296-39	6	Nut-Lock, NI
3	63-1590	1	Spring-Idler
4	94-2499	1	Rod-Pivot Plate To Pedal
5	94-7818	1	Retainer - Screw
6	3231-25	2	Screw-CARR
7	3272-10	2	Pin-Cotter
8	3256-24	3	Washer-Flat
9	98-1636	4	Bushing-Flange
10	94-2351-03	1	Bracket-Brake
11	94-2343-03	1	Bracket - Support
12	94-7501	1	Spacer - Pedal
13	94-2345-03	1	Shaft-Pivot
14	94-7572	1	End-RH Tie Rod
15	94-2342-03	1	Bracket-Foward/reverse
16	3296-29	2	Nut-Lock, NI
17	322-5	2	Screw-HH
18	107-9207	1	Hydro Pedal ASM
18:2	107-9208	1	Heal Pad-Pedal Nh
18:3	107-9209	1	Toe Pad-Pedal Nh
18:4	32112-6	6	Pushnut
19	94-2352-03	1	Pedal - Brake
20	94-2123	1	Pad - Brake Pedal
21	3296-6	1	Nut-Lock, NI

Ref	Part No.	Qty.	Description
22	3220-3	1	Nut-Jam
23	302-5	1	Fitting-Grease



Smart Turn Front Assembly

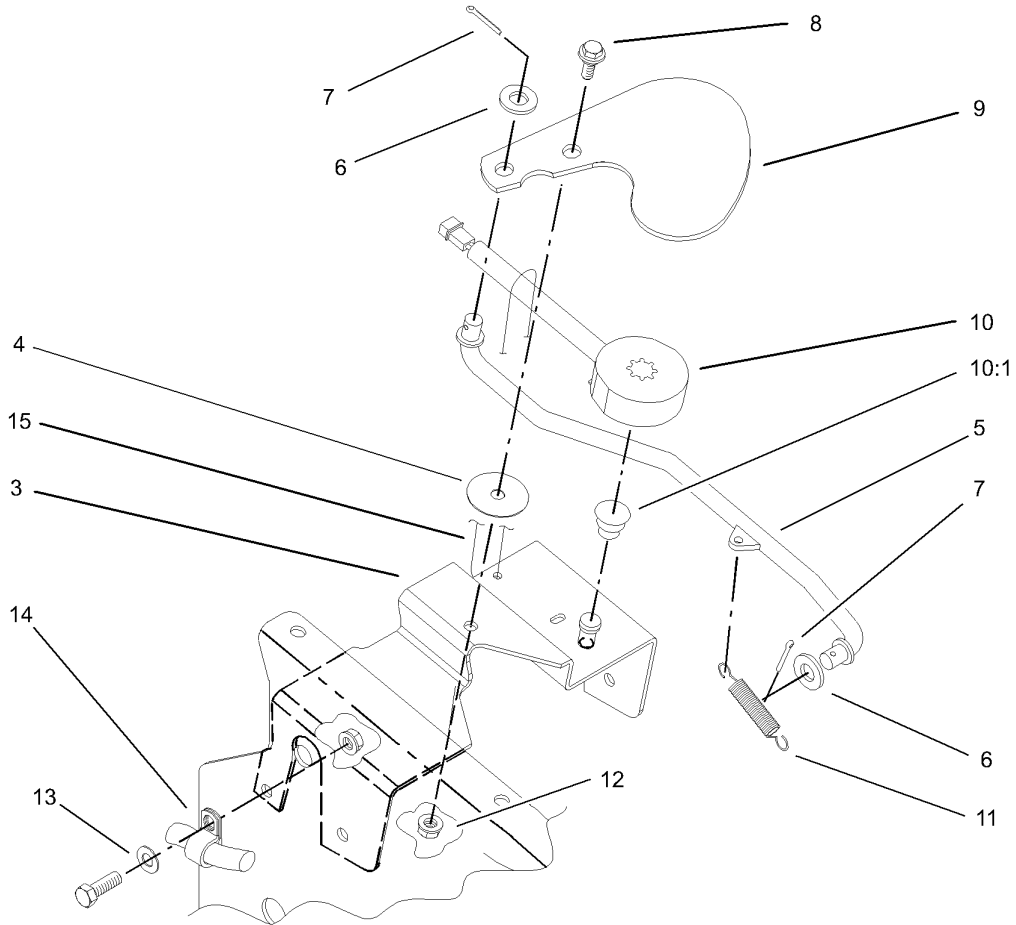
Ref	Part No.	Qty.	Description				
1	94-7919	1	Bushing				
2	3296-6	1	Nut-Lock, NI				
3	94-7579	1	Lever - Slow Down				
4	98-3499	1	Washer-Flat				
5	3296-29	1	Nut-Lock, NI				
6	3220-16	1	Nut-Jam, LH				
7	94-7573	1	End - LH Tie Rod				
8	108881	2	Nut				
9	94-7582	2	Bolt-Shoulder				
10	94-2409	1	Link-Slow Down				



Parking Brake Lower Assembly

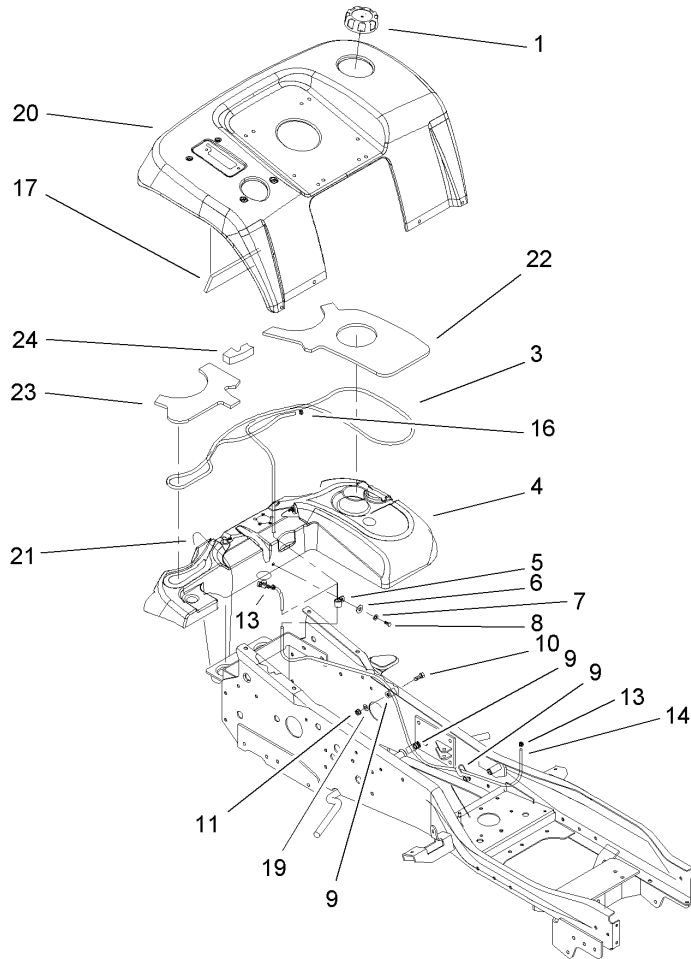
Ref	Part No.	Qty.	Description
1	94-7574	2	Bushing-Flanged
2	94-2375-03	1	Plate-Brake Pivot
3	94-7569	2	Bushing
4	3296-6	1	Nut-Lock, NI
5	94-2488-03	1	Pivot-Hydro
6	94-7573	1	End - LH Tie Rod
7	94-7955	1	Screw-HH
8	3220-16	1	Nut-Jam, LH
9	94-2498	1	Rod - Pivot To Pedal
10	3256-55	1	Washer-Flat
11	3272-10	1	Pin-Cotter
12	3256-24	2	Washer-Flat
13	94-2393	1	Rod - Brake
14	94-7906	1	Spring - Compression
15	3296-39	1	Nut-Lock, NI
16	302-5	2	Fitting-Grease

--	--	--	--



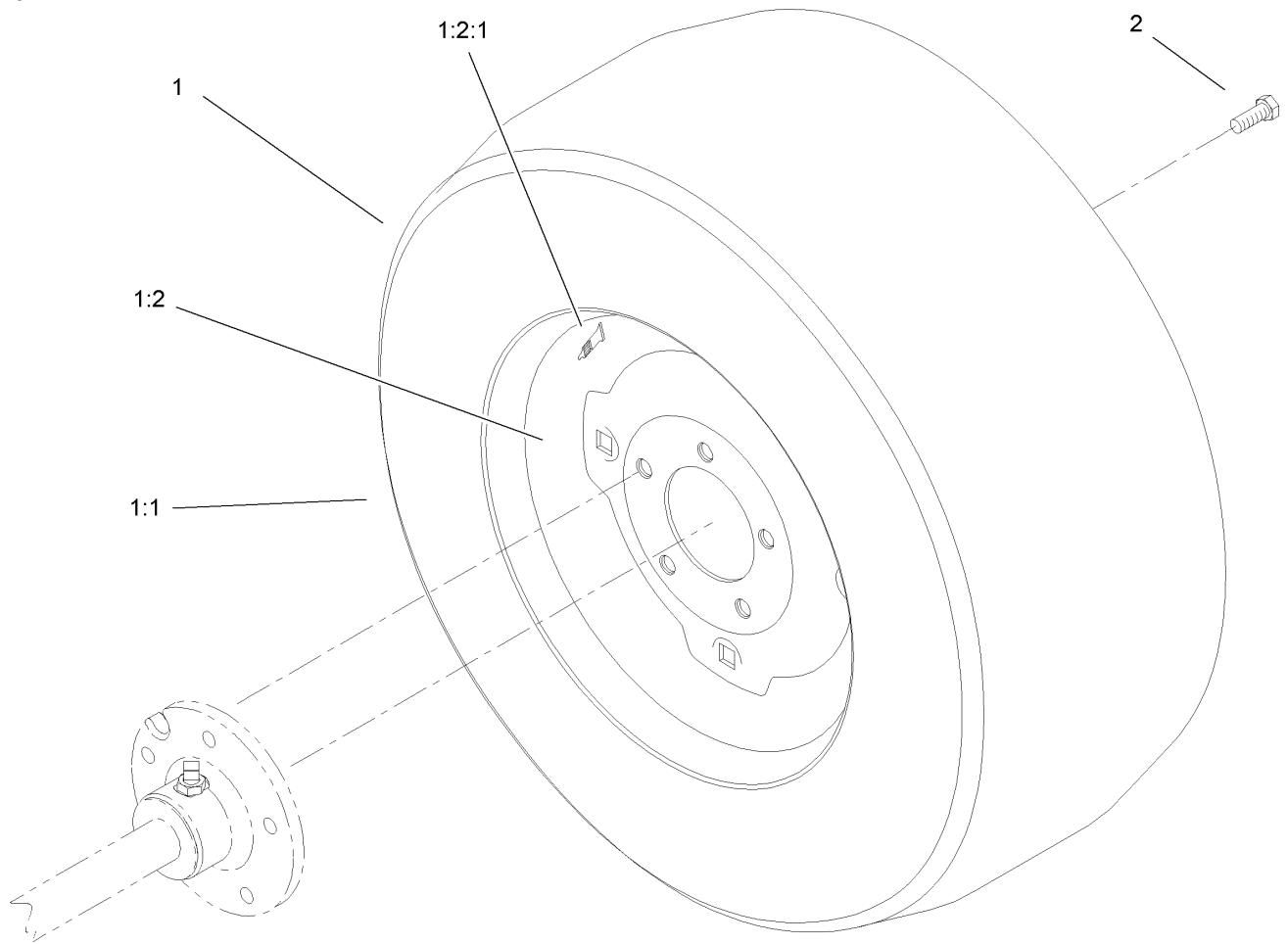
Cruise Control Assembly

Ref	Part No.	Qty.	Description
3	99-6097-03	1	Brkt-Cruise
4	94-7575	1	Spacer-Cruise
5	94-7980	1	Rod-Cruise Control
6	3256-26	2	Washer-Flat
7	3272-10	2	Pin-Cotter
8	94-7582	1	Bolt-Shoulder
9	99-5309	1	Plate - Magnet
10	99-8090	1	Magnet ASM
10:1	93-6601	1	Spring-Compression
11	66-4160	1	Spring-Upper Solenoid
12	108881	1	Nut
13	3256-24	2	Washer-Flat
14	98-2358	2	Clamp - R
15	614249	1	Strap-Tie



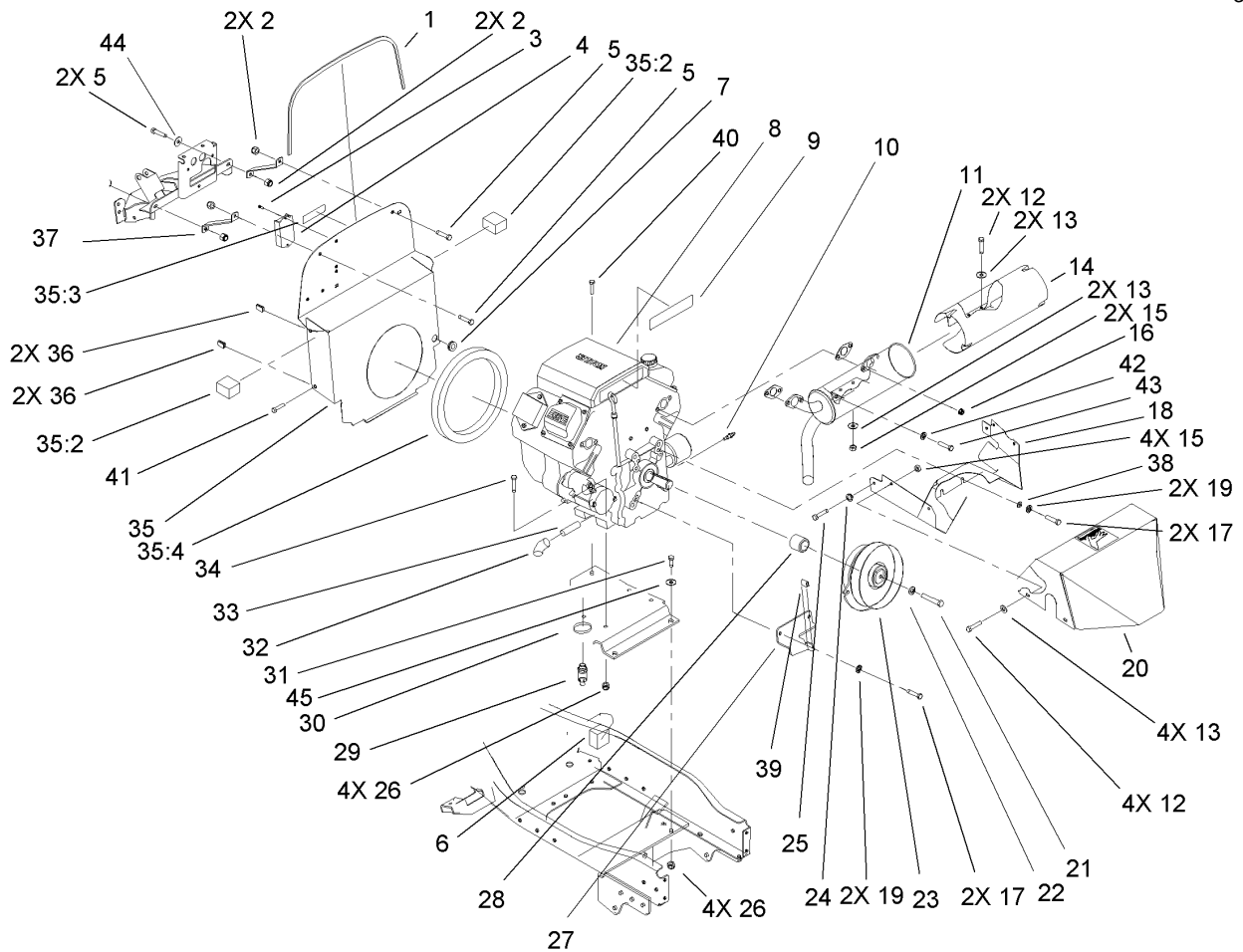
Fender and Fuel System Assembly

Ref	Part No.	Qty.	Description				
1	95-4192	1	Unleaded Gas Cap ASM				
3	99-8553	1	Hose-Vent				
4	99-6141	1	Gas Tank ASM				
5	2412-94	1	Clamp				
6	3256-22	1	Washer-Flat				
7	3253-3	1	Washer-Lock				
8	321-3	1	Screw-HH				
9	98-1616	3	Clamp-Tube				
10	323-6	1	Screw-HH				
11	3296-39	1	Nut-Lock, NI				
13	95-4271	2	Clamp-Hose				
14	99-9680	1	Hose-Fuel				
16	94-8189	1	Clamp-Hose				
17	95-4157	1	Foam - Tank Center				
19	3256-24	1	Washer-Flat				
20	98-7209	1	Rear Body ASM				
21	99-5901	1	Tie-Cable				
22	99-6145	1	Foam-Tank				
23	99-6146	1	Foam-Tank				
24	99-6887	1	Foam-Tank Top				



Wheel Assembly

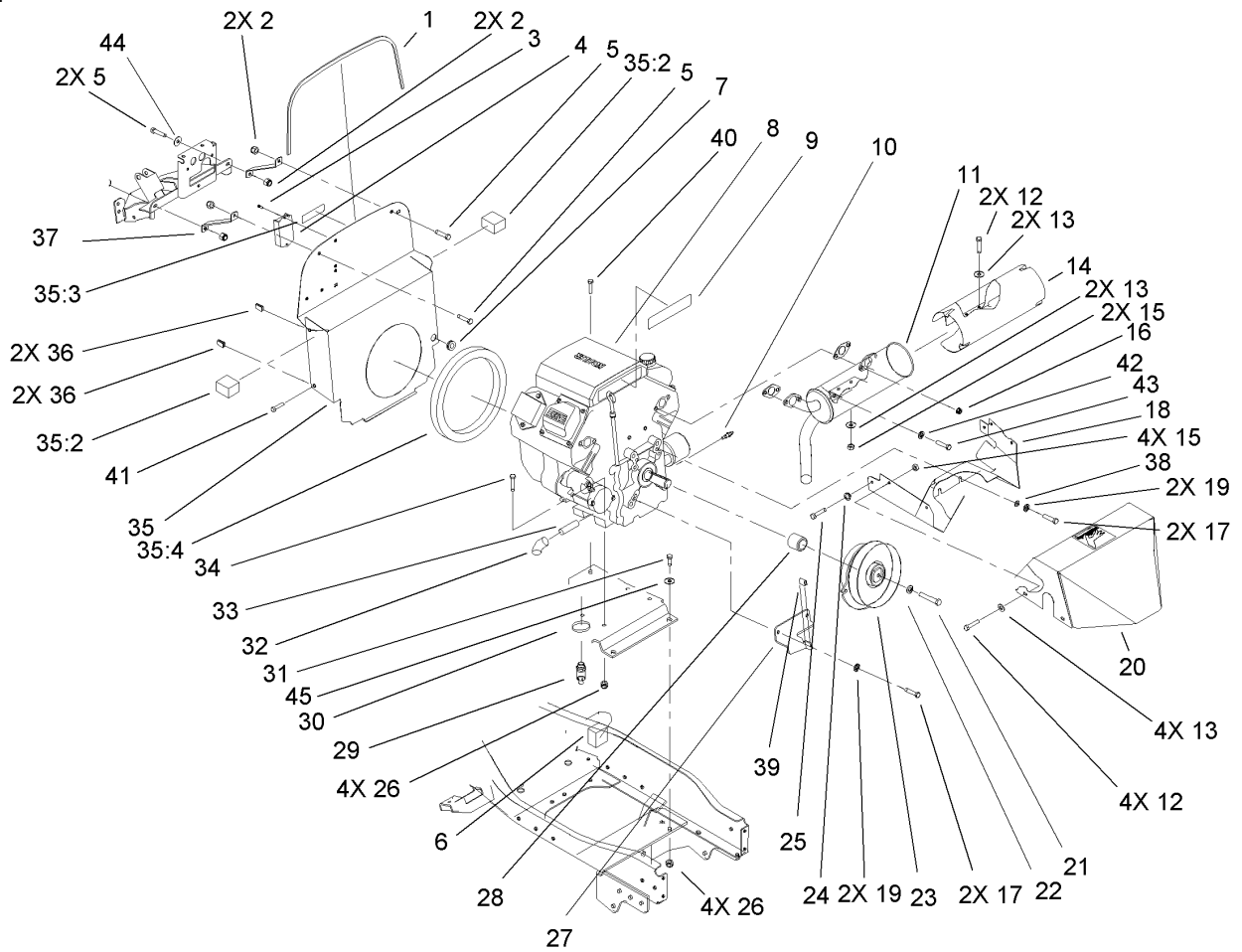
Ref	Part No.	Qty.	Description				
1	99-3667	2	Wheel & Tire ASM				
1:1	99-2334	1	Tire				
1:2	94-7854	1	Rim ASM				
1:2:1	5108	1	Valve				
1:99	7007	1	Tube-Inner				
2	83-2720	10	Bolt-Lug				



Air Cooled Engine Assembly

Ref	Part No.	Qty.	Description
1	95-4125	1	Trim - Lock
2	3296-29	4	Nut-Lock, NI
3	32144-112	1	Screw-HWH
4	99-1933	1	Module-Low Voltage
5	322-3	4	Screw-HH
6	98-3086	2	Seal-Foam, Side
7	240-9	1	Grommet
8	105-1540	1	Engine - 22hp Kohler Model No. Ch22s-76511
9	98-7351	1	Label 22 Hp
10	94-7619	1	Sender - Oil Temperature
11	94-7558	1	Muffler - Kohler
12	321-3	6	Screw-HH
13	3256-22	8	Washer-Flat
14	94-7560	1	Reflector - Heat
15	32152-4	6	Nut-Hex
16	92-6780	4	Nut-HF
17	323-6	4	Screw-HH
18	94-7522-03	1	Shrd-Muffler
19	3253-5	4	Washer-Lock
20	94-7524-03	1	Shroud-Muffler
21	94-7973	1	Screw-HH
22	3256-25	1	Washer-Flat
23	94-2190	1	Clutch - PTO

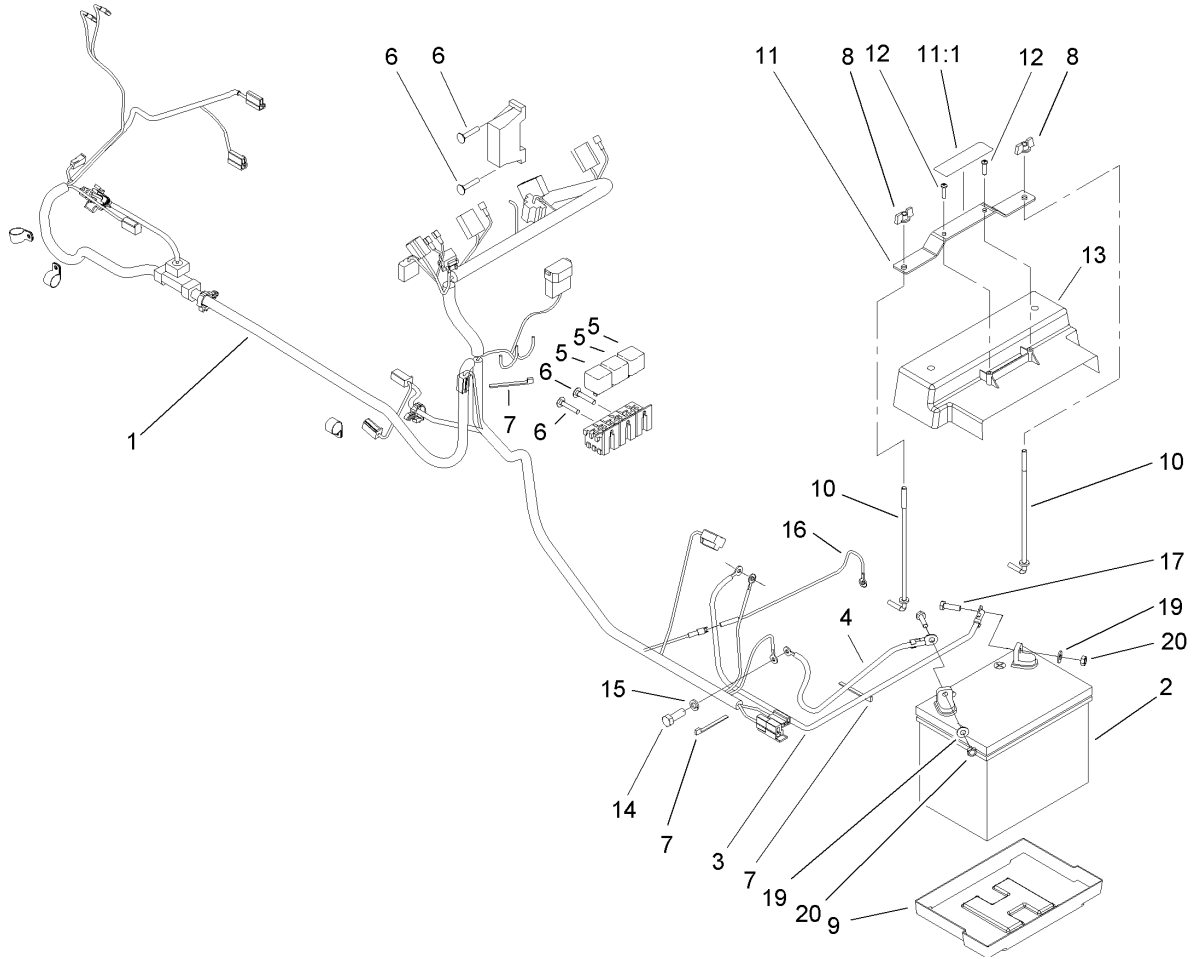
Ref	Part No.	Qty.	Description
24	3253-3	2	Washer-Lock
25	33113-008	2	Screw-HH
26	3296-39	8	Nut-Lock, NI
27	94-2356-03	1	Clutch - Stop
28	94-2068	1	Spacer - Clutch
29	92-6877	1	Valve-Drain, Oil
30	94-2199-03	1	Plate - Engine
31	323-7	3	Screw-HH
32	2811-16	1	Elbow-90 DEG
33	98-7200	1	Nipple
34	323-9	4	Screw-HH
35	98-5060	1	Bulkhead ASM
35:2	98-3086	2	Seal-Foam, Side
35:3	98-5012	1	Decal - Warning
35:4	95-4104	1	Seal-Foam
36	107069	4	Clip
37	95-4117-03	2	Bracket-Bulkhead
38	3256-24	2	Washer-Flat
39	98-5023	1	Bumper
40	32144-109	1	Screw
41	92-7020	4	Screw-HH
42	3253-4	2	Washer-Lock
43	33104-020	2	Screw-HHF
44	3256-23	2	Washer-Flat



Air Cooled Engine Assembly (continued)

Ref	Part No.	Qty.	Description
45	3256-24	2	Washer-Flat

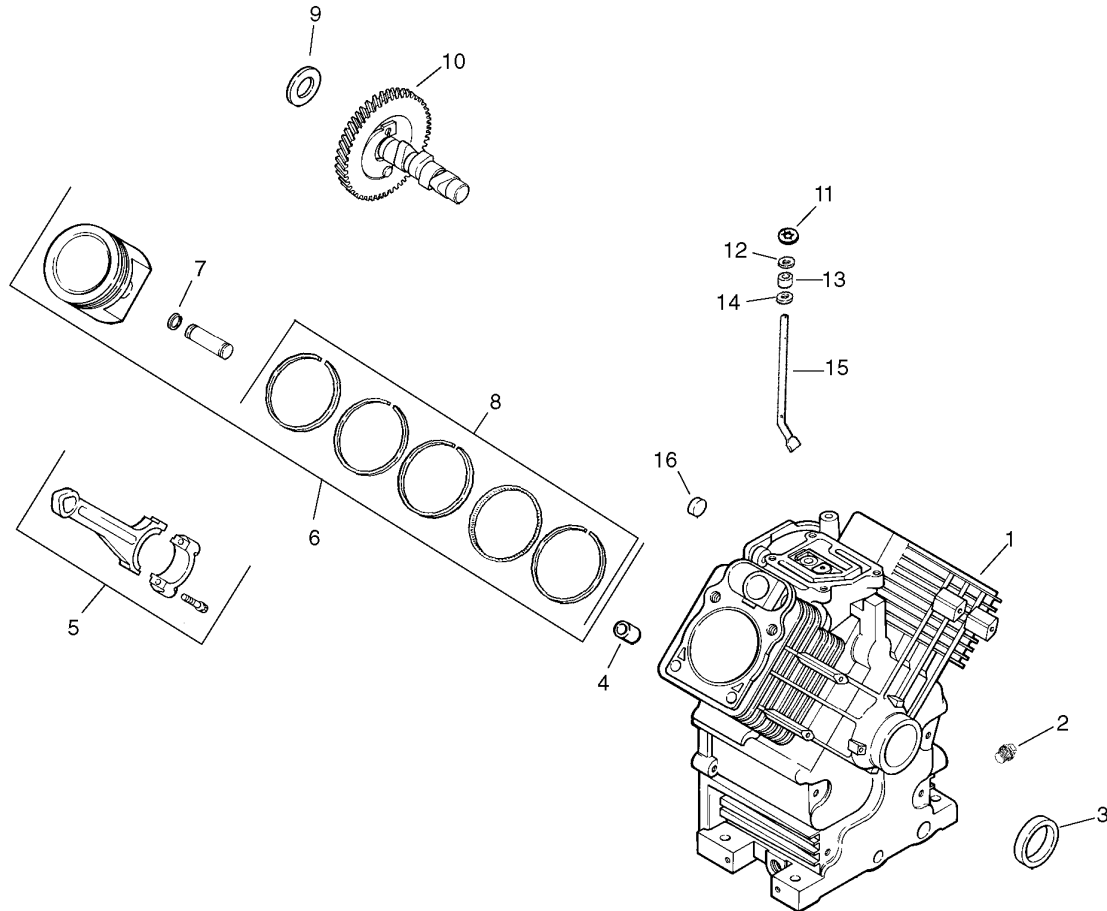
--	--	--	--



Electrical Assembly

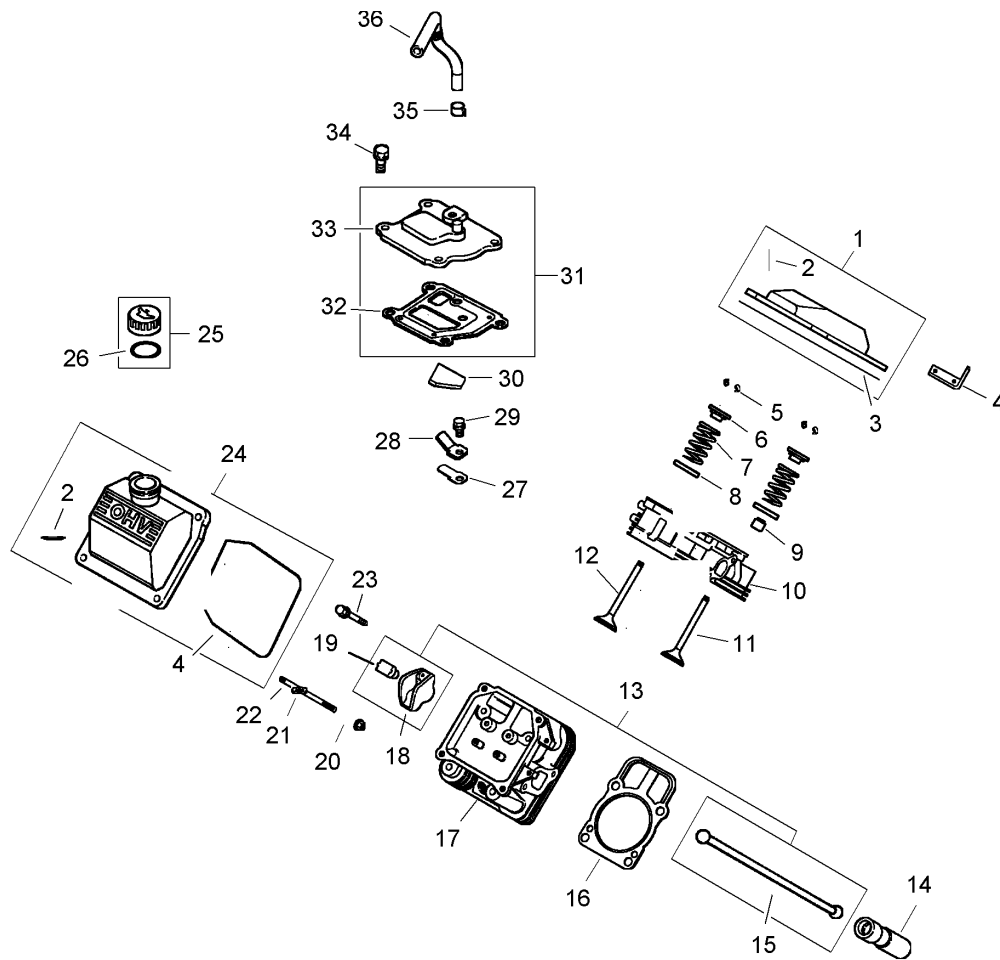
Ref	Part No.	Qty.	Description
1	99-3723	1	Harness-Wire
2	104-2492	1	Battery
3	95-7854	1	Cable-Battery, Red 27in
4	95-7873	1	Cable - Battery
5	98-7249	3	Relay
6	32144-112	4	Screw-HWH
7	614249	2	Strap-Tie
8	32103-22	2	Nut-Wing
9	106948	1	Tray-Battery
10	95-4042	2	Hook-Retain, Battery
11	98-5056	1	Strap ASM
11:1	93-1265	1	Decal-Surface, Hot
12	94-4496	2	Screw-PPH
13	95-4044	1	Shield - Battery
14	33104-020	1	Screw-HHF
15	3253-4	1	Washer-Lock
16	98-1492	1	Harness-Wire
17	321-5	2	Screw-HH
19	3256-22	2	Washer-Flat
20	3296-42	2	Nut-Lock, NI
❶99	109102	1	Fuse-25 Amp
❶99	218-578	2	Fuse-10 Amp
❶99	NN10277	1	Fuse-30 Amp

--	--	--	--



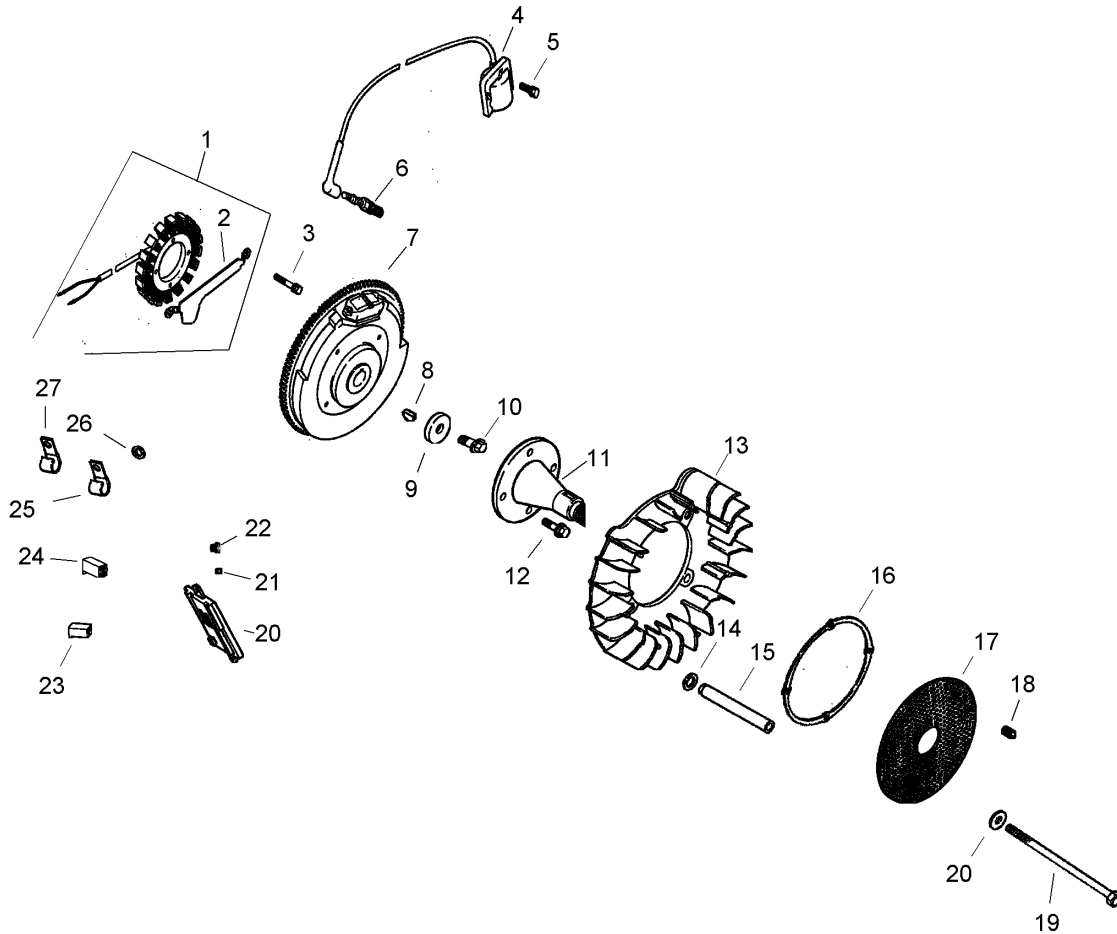
Crankcase Assembly Kohler Model No. Ch22s-76551

Ref	Part No.	Qty.	Description	Ref	Part No.	Qty.	Description
1		1	Crankcase (Use: Short Block Or Miniblock)	9	12 422 09-S	1	Shim-Camshaft, Red
2	25 139 57-S	2	Plug-SQH Pipe, 3/8in N.p.t.f.	10	12 422 13-S	1	Shim-Camshaft, Black
3	24 032 01-S	1	Seal-Oil, Front	11	12 422 07-S	1	Shim-Camshaft, White
4	24 380 13-S	6	Pin-Locating	12	12 422 08-S	1	Shim-Camshaft, Blue
5	24 067 13-S	2	Rod-Connecting (Std.)	13	12 422 10-S	1	Shim-Camshaft, Yellow
6	24 067 14-S	2	Rod-Connecting (.25)	14	12 422 11-S	1	Shim-Camshaft, Green
7	24 874 09-S	2	Piston W/ring Set (Std.) (Includes 7, 8)	15		1	Shaft-Governor Cross
8	24 874 15-S	2	Piston W/ring Set (.08) (Includes 7, 8)	16	52 139 09-S	1	Plug-Cup
9	24 874 10-S	2	Piston W/ring Set (.25) (Includes 7, 8)				
10	24 874 11-S	2	Piston W/ring Set (.50) (Includes 7, 8)				
11	24 018 01-S	4	Retainer-Pin, Piston				
12	24 108 08-S	2	Ring Set (Std. & .08)				
13	24 108 09-S	2	Ring Set (.25)				
14	24 108 10-S	2	Ring Set (.50)				
15	12 422 09-S	1	Shim-Camshaft, Red				
16	12 422 13-S	1	Shim-Camshaft, Black				
	12 422 07-S	1	Shim-Camshaft, White				
	12 422 08-S	1	Shim-Camshaft, Blue				
	12 422 10-S	1	Shim-Camshaft, Yellow				
	12 422 11-S	1	Shim-Camshaft, Green				
	24 018 09-S	1	Ring-Retainer				
	M-931010-S	1	Washer-Nylon (Top)				
	28 032 09-S	1	Seal-Governor Cross Shaft				
	24 468 15-S	1	Washer (Bottom)				
	24 144 38-S	1	Shaft-Governor Cross				
	52 139 09-S	1	Plug-Cup				



Head/Valve/Breather Assembly Kohler Model No. Ch22s-76551

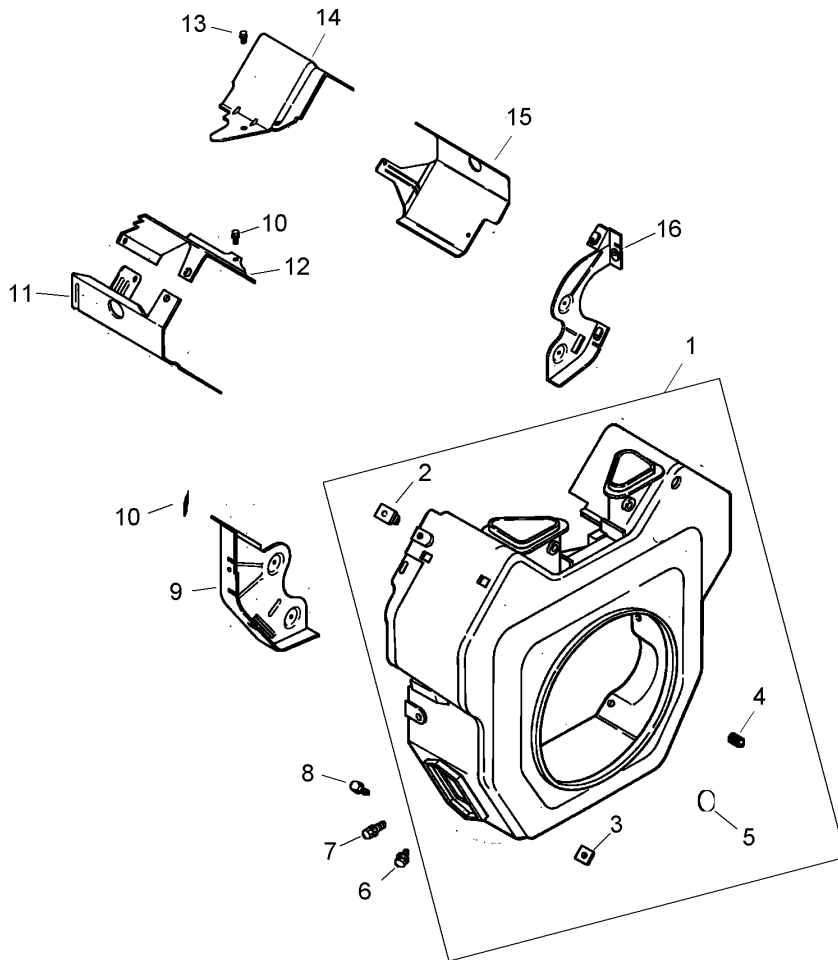
Ref	Part No.	Qty.	Description	Ref	Part No.	Qty.	Description
1	24 755 74-S	1	Kit, Valve Cover - Plain (Includes 2,3)	21	24 468 16-S	8	Washer-Flat
2	24 086 32-S	4	Screw, Shoulder M6x1.0x30	22	24 100 10-S	8	Nut-Hex. Flange, M8x1.25
3	24 153 23-S	1	O-Ring	23	M-640034-S	4	Screw, Hex. Flange M6x1.0x34
4	24 445 01-S	1	Strap-Lifting	24	24 755 75-S	1	Kit, Valve Cover – Oil Fill (Includes 2,3)
5	12 755 03-S	4	Kit, Retainer	25	25 755 13-S	1	Kit, Oil Fill Cap (Includes 26)
6	12 173 01-S	4	Cap-Valve Spring	26	25 153 02-S	1	O-Ring
7	24 089 02-S	4	Spring-Valve	27	24 402 03-S	1	Reed-Breather
8	235011-S	4	Retainer-Spring	28	12 018 01-S	1	Retainer, Breather Reed
9	66 032 05-S	2	Seal-Valve Stem	29	M-545010-S	1	Screw-Hex. Flange, M5x0.8x10
10	24 318 68-S	1	Head Asm, #1 Cylinder	30	24 050 01-S	1	Filter-Breather
11	24 017 01-S	2	Valve-Intake (Std.)	31	24 033 01-S	1	Kit, Breather (Includes 32,33)
12	24 017 02-S	2	Valve-Intake (.25)	32	24 041 23-S	1	Gasket, Breather
13	24 016 01-S	2	Valve-Exhaust (Std.)	33	24 096 86-S	1	Cover-Breather
14	24 016 02-S	2	Valve-Exhaust (.25)	34	M-645020-S	4	Screw-Hex. Flange, M6x1.0x20
15	24 755 66-S	1	Kit, Valve Train (Includes 15,18,19)	35	25 237 14-S	1	Clamp-Hose
16	25 351 01-S	4	Lifter-Valve	36	24 326 26-S	1	Hose-Breather
17	24 411 05-S	4	Rod-Push				
18	24 041 40-S	2	Gasket, Cylinder Head				
19	24 318 71-S	1	Head Asm, #2 Cylinder				
20	25 186 01-S	4	Arm-Rocker				
	24 599 01-S	4	Pivot-Rocker Arm				
	24 072 09-S	8	Stud-Cylinder Hd., M8x1.25x20, M10x1.5x90, 105mm Long				



Ignition/Electrical Assembly Kohler Model No. Ch22s-76551

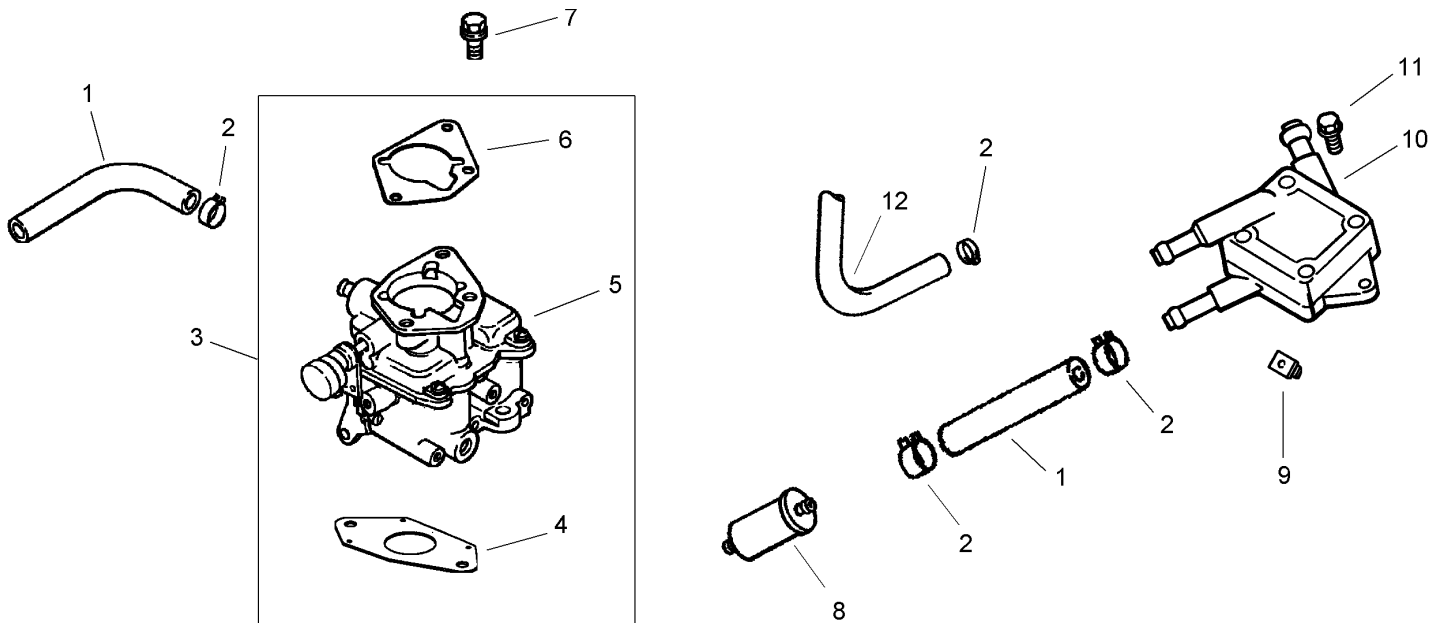
Ref	Part No.	Qty.	Description
1	54 755 09-S	1	Kit, 15 Amp Stator (Includes 2)
2	24 126 71-S	1	Bracket-Stator Wire
3	M-548025-S	2	Screw-Hex. Cap, M5x0.8x25
4	24 584 01-S	2	Module-Ignition
5	M-545020-S	4	Screw-Hex. Flange, M5x0.8x20
6	12 132 02-S	2	Spark Plug
7	24 025 01-S	1	Flywheel
8	X-42-15-S	1	Key
9	12 468 03-S	1	Washer-Plain, 3/8in
10	12 086 14-S	1	Screw-Hex. Flange, M10x1.5x46
11	24 144 25-S	1	Shaft, Front Drive
12	M-839025-S	4	Screw, Hex. Flange M8x1.25x25
13	24 157 07-S	1	Fan
14	24 468 11-S	4	Washer, Spring
15	24 112 14-S	4	Spacer
16	24 141 06-S	1	Ring, Support
17	24 162 22-S	1	Screen, Grass
18	25 086 43-S	1	Screw, Set
19	M-603100-S	4	Screw, Hex. Hd. M6x1.0x100
20	X-25-53-S	4	Washer, Plain 1/4in
21	25 403 03-S	1	Rectifier-Regulator 15 Amp
22	X-25-92-S	2	Washer-Plain 3/16
23	24 086 18-S	2	Screw-Phillips Hd., 11-16x7/8
23	277563-S	1	Connector-1 Contact

Ref	Part No.	Qty.	Description
24	41 155 03-S	1	Connector-2 Contact
25	235173-S	1	Clip-Cable (Clamps Wires To Intake Manifold)
26	X-25-63-S	1	Washer-Plain, 1/4in
27	48 154 02-S	1	Clip-Cable (B+ Lead)
28		1	Not Illustrated
29	25 086 91-S	2	Screw-Tapping (Used To Mount 5 Wire Connector On Harness)
30	X-22-11-S	1	Washer, Lock 1/4in (Used To Ground Rectifier-Regulator)
31	24 176 08-S	1	Harness-Wiring
32	24 176 09-S	1	Harness, Wiring
33	24 518 12-S	1	Lead, Black (6in - 12 Gauge - Insulated Grip Barrel)
34	25 454 03-S	2	Tie-Wire



Blower Housing and Baffle Assembly Kohler Model No. Ch22s-76551

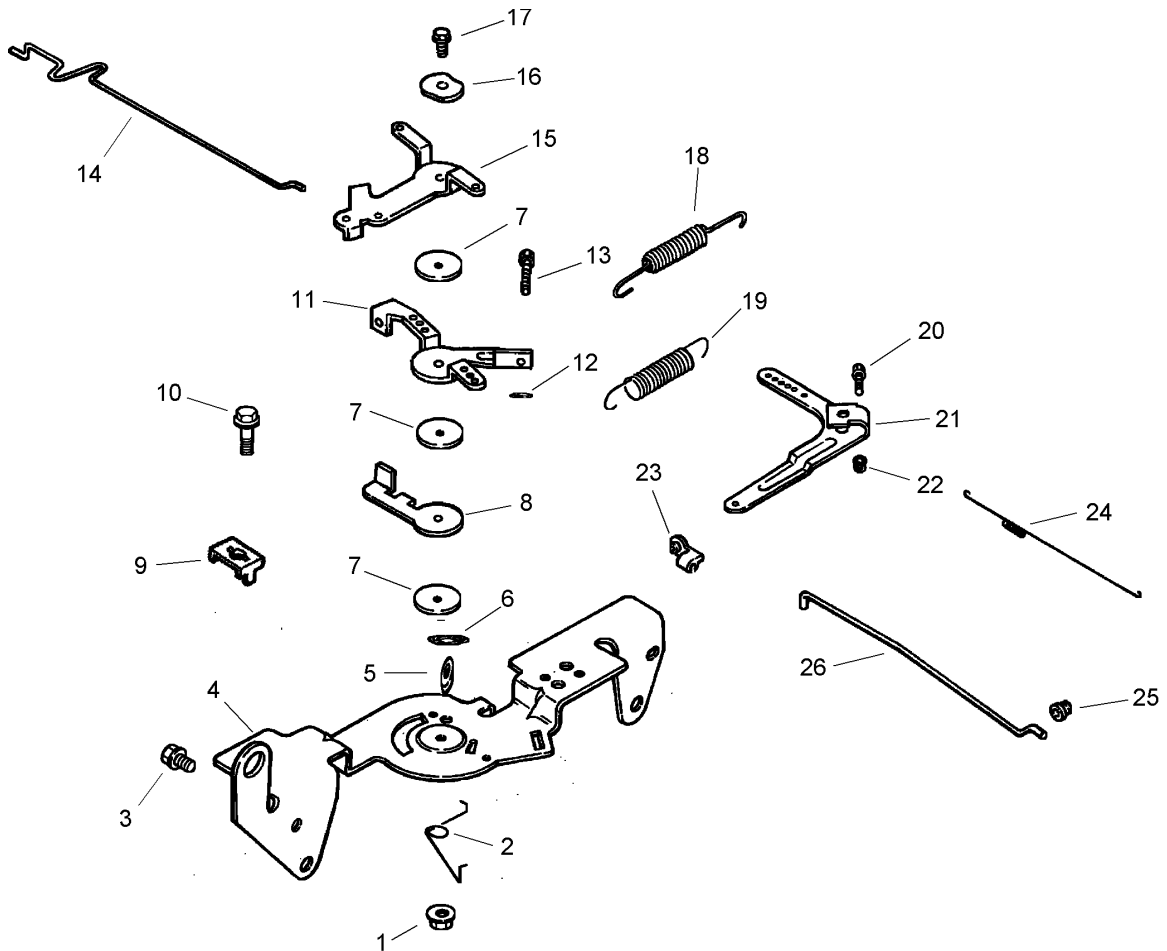
Ref	Part No.	Qty.	Description				
1	24 027 189-S	1	Housing, Blower ASM (Includes 2-5)				
2	24 100 01-S	2	Nut-Plastic				
3	24 100 02-S	2	Nut-Plastic				
4	25 086 43-S	1	Screw, Set				
5	25 139 16-S	1	Plug-Button 9/16in				
6	M-551016-S	1	Screw-Hex. Flange, M5x0.8x16				
7	M-545016-S	3	Screw-Hex. Flange, M5x0.8x16				
8	M-545020-S	4	Screw-Hex. Flange, M5x0.8x20				
9	24 146 16-S	1	Plate-Backing, #2 Side				
10	M-645016-S	6	Screw-Hex. Flange, M6x1.0x16				
11	24 063 20-S	1	Baffle-Cylinder Barrel, #2 Side				
12	24 063 17-S	1	Baffle-Valley, #2 Side				
13	M-545010-S	2	Screw-Hex. Flange, M5x0.8x10				
14	24 063 59-S	1	Baffle-Valley, #1 Side				
15	24 063 58-S	1	Baffle-Cylinder Barrel, #1 Side				
16	24 146 20-S	1	Plate-Backing, #1 Side				



Fuel System Assembly Kohler Model No. Ch22s-76551

Ref	Part No.	Qty.	Description
①	25 353 52-S	2	Line-Fuel, 9-1/4 (Pump To Filter)
②	25 237 14-S	4	Clamp-Hose
③	24 853 59-S	1	Kit, Carburetor W/gaskets (Includes 4-6)
④	24 041 53-S	1	Gasket-Carburetor
⑤	24 053 59	1	Carburetor ASM (For Information Only Not Available Separately)
⑥		1	(Service With Kits: 24 757 01-S, 24 757 02-S, 24 757 03-S, 24 757 07-S & 24 755 125-S)
⑥	24 041 06-S	1	Gasket-Air Cleaner Base
⑦	M-651030-S	2	Screw-Hex. Flange, M6x1.0x30
⑧	24 050 02-S	1	Filter, Fuel
⑨	24 100 01-S	2	Nut-Plastic
⑩	24 393 16-S	1	Pump-Fuel
⑪	24 086 12-S	2	Screw-Hex. Hd., M6x1.7x18
⑫	24 353 02-S	1	Line-Fuel, 15-3/4 (Pump To Fitting)
⑬		1	Not Illustrated
⑭	24 518 24-S	1	Lead-Ground
⑮	24 757 01-S	1	Kit, Solenoid
⑯	24 757 02-S	1	Kit, Float
⑰	24 757 03-S	1	Kit, Carburetor Repair
⑱	24 757 07-S	1	Kit, Choke Repair
⑲	24 755 125-S	1	Kit, High Altitude W/gaskets

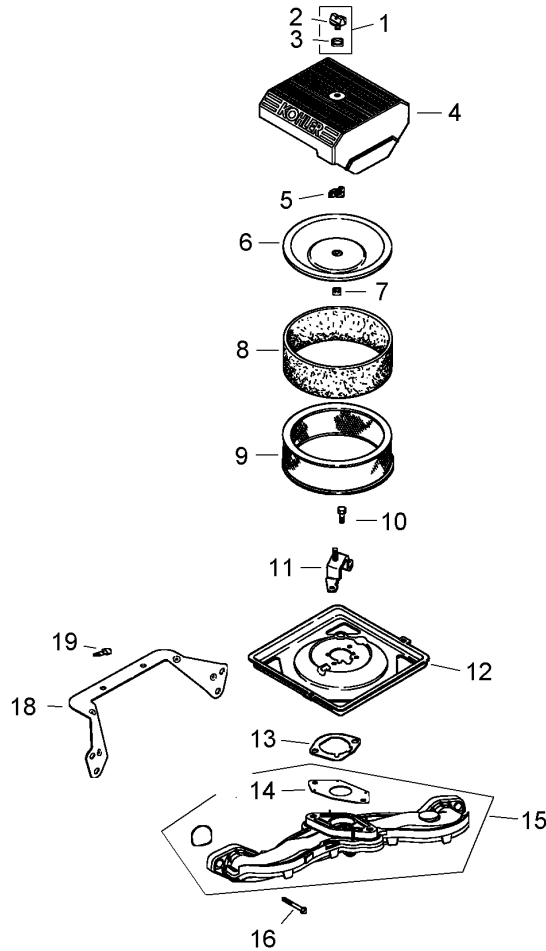
--	--	--	--



Engine Control Assembly Kohler Model No. Ch22s-76551

Ref	Part No.	Qty.	Description
①	M-547050-S	1	Nut-Hex. Lock, M5x0.8
②	24 089 03-S	1	Spring, Choke Return
③	M-645016-S	4	Screw-Hex. Flange, M6x1.0x16
④	24 126 56-S	1	Bracket-Control
⑤	X-20-1-S	1	Washer-Lock, 1/4
⑥	M-541050-S	1	Nut-Hex. Flange, M5x0.8x50
⑦	24 468 01-S	3	Washer-Plain, 5.5mm
⑧	24 090 07-S	1	Lever-Throttle Actuator
⑨	12 237 01-S	2	Clamp-Cable
⑩	M-545016-S	3	Screw-Hex. Flange, M5x0.8x16
⑪	24 090 03-S	1	Lever, Throttle Control
⑫	M-446030-S	1	Nut-Hex, M4x0.7
⑬	M-401030-S	1	Screw-Hex. Cap, M4x0.7x30
⑭	24 079 21-S	1	Linkage-Choke
⑮	24 090 05-S	1	Lever-Choke
⑯	41 468 03-S	1	Washer-Spring, 1/4
⑰	M-545020-S	1	Screw-Hex. Flange, M5x0.8x20
⑱	24 089 51-S	1	Spring-Throttle Limiter
⑲	24 089 44-S	1	Spring, Governor
⑳	24 211 03-S	1	Bolt-Rd. Hd. Sq. Neck, M6x1.0x16
㉑	24 090 33-S	1	Lever-Governor
㉒	M-641060-S	1	Nut-Hex. Flange, M6x1.0
㉓	25 158 11-S	1	Bushing-Linkage Retaining
㉔	24 089 01-S	1	Spring-Linkage

Ref	Part No.	Qty.	Description
㉕	25 158 08-S	1	Bushing-Linkage Retaining
㉖	24 079 01-S	1	Linkage-Throttle



Air Intake/Filtration Assembly Kohler Model No. Ch22s-76551

Ref	Part No.	Qty.	Description				
1	54 755 01-S	1	Kit, Knob W/seal (Includes 2,3)				
2	25 341 03-S	1	Knob-Cover				
3	24 153 20-S	1	O-Ring				
4	24 096 67-S	1	Cover-Air Cleaner				
5	12 100 01-S	1	Nut-Wing				
6	24 096 01-S	1	Cover-Inner Air Cleaner				
7	24 032 03-S	1	Seal, Inner Air Cleaner				
8	24 083 02-S	1	Element, Precleaner				
9	47 083 03-S	1	Element, Air Cleaner				
10	M-639016-S	3	Screw, Hex. Flange M6x1.0x16				
11	24 126 21-S	1	Bracket, Air Cleaner				
12	24 094 24-S	1	Base, Air Cleaner				
13	24 041 06-S	1	Gasket-Air Cleaner Base				
14	24 041 53-S	1	Gasket-Carburetor				
15	24 164 54-S	1	Manifold, Intake (Includes 14,17)				
16	M-651040-S	4	Screw-Hex. Flange, M6x1.0x40				
17	24 153 27-S	2	O-Ring (Intake Port)				
18	24 126 130-S	1	Bracket-Air Cleaner Base				
19	M-545010-S	2	Screw-Hex. Flange, M5x0.8x10				

NOTES

NOTES

NOTES



NEW HOLLAND

