



**Count on it.**

**Parts Catalog**

**Winter Enclosure**

**Groundsmaster® 3200 or 3300 Series  
Traction Unit**

Model No. 31990—Serial No. 417400000 and Up



# Ordering Replacement Parts

To order replacement parts, please supply the part number, the quantity, and the description of each part desired.

## Understanding Reference Numbers

Each identified part in an illustration has a reference number. The reference number for a part also appears in the parts list, along with other information about the part.

This catalog uses two special reference number formats, one to indicate parts in a service assembly and another to indicate the quantity of a given part in an illustration.

## Service Assembly Reference Numbers

Parts in service assemblies have reference numbers in the form a:b. The a represents the reference number of the entire service assembly and the b represents a sequential number unique to each part within the service assembly.

For example, a wheel assembly might be identified by reference number 6, the tire by 6:1, the valve by 6:2, and the wheel by 6:3. When you order the assembly identified by reference number 6, you receive all parts identified by reference numbers 6:1, 6:2, and 6:3. However, you may also order any part individually. Reference numbers of this type appear in illustration and in parts lists.

## Reference Numbers Indicating Quantity

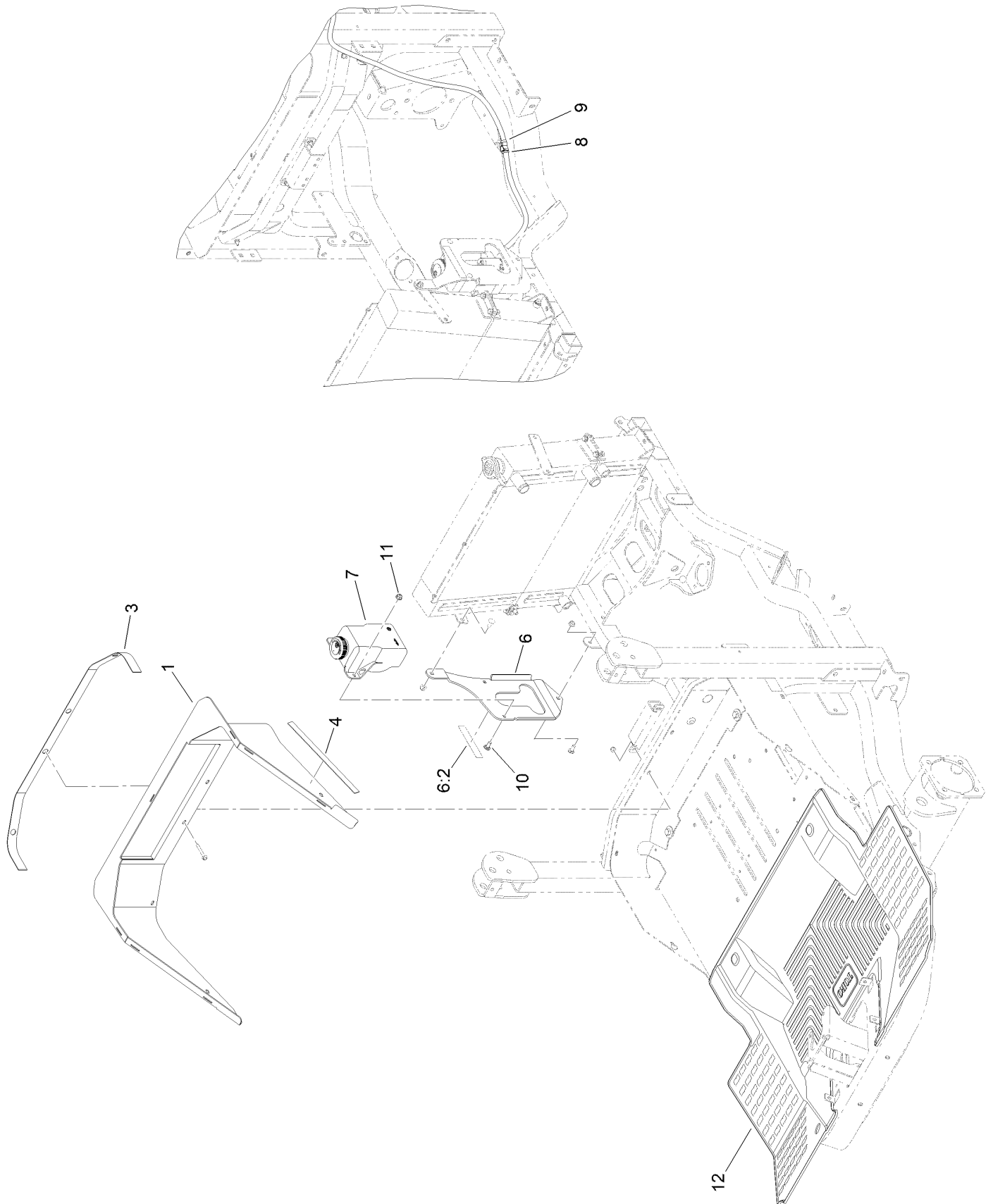
In an illustration, if a reference number indicates more than one part, the reference number has the form nX y. The n represents the quantity of the part, the X is the multiplication symbol, and the y represents the reference number.

For example, in an illustration, the reference number 2X 37 means that two of the parts identified by reference number 37 are indicated.

# Contents

Loose Parts (Field Installation) Assembly . . . . .	4
Washer Fluid Tank Assembly No. 140-6665 . . . . .	6
Step Mount Assembly . . . . .	8
Rear Weights Assembly . . . . .	10
Fuse Assembly . . . . .	12
Frame, Mount and Seals Assembly . . . . .	14
Interior Foam and Carpet Assembly . . . . .	16
Cab Mirrors Assembly . . . . .	18
Decal Assembly . . . . .	20
Door Assembly . . . . .	22
LH Door Assembly . . . . .	24
RH Door Assembly . . . . .	26
Front and Rear Glass Assembly . . . . .	28
Window Wiper System Assembly . . . . .	30
Window Wiper Assembly . . . . .	32
Window Wiper Hose Assembly . . . . .	34
Heater Assembly . . . . .	36
Heater Hose 37HP Assembly . . . . .	38
Heater Hose 24HP Assembly . . . . .	40
Electrical Component Assembly . . . . .	42
Sound Reducing Assembly No.1 . . . . .	44
Sound Reducing Assembly No.2 . . . . .	46
Attachments and Accessories . . . . .	48

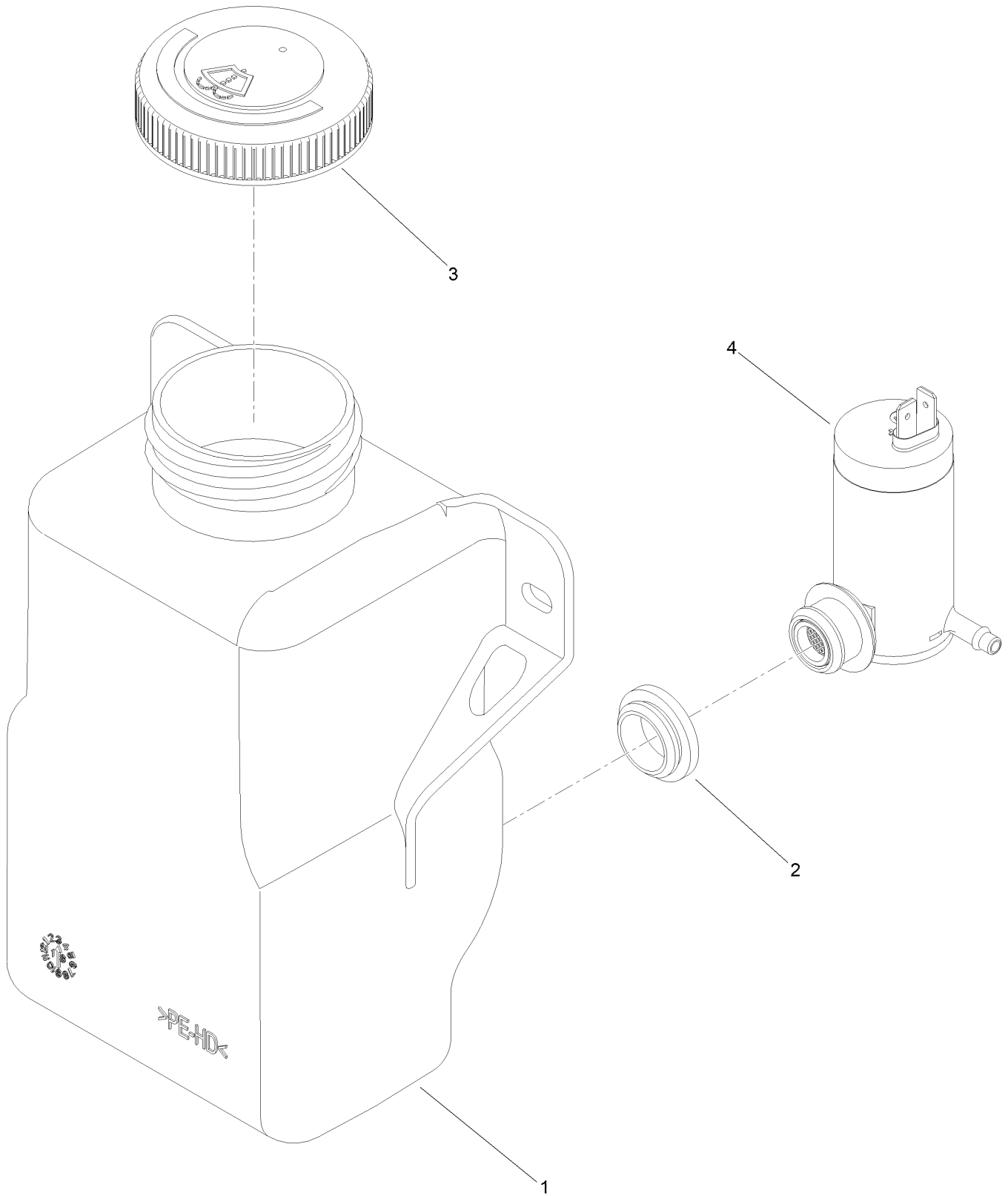
# Loose Parts (Field Installation) Assembly



## Loose Parts (Field Installation) Assembly (continued)

<i>Ref.</i>	<i>Part Number</i>	<i>Qty.</i>	<i>Description</i>	<i>Ref.</i>	<i>Part Number</i>	<i>Qty.</i>	<i>Description</i>
1	139-2035-03	1	Firewall-Upper	8	130-5794	1	Fitting-Straight
3	139-2039	1	Seal-Foam, Firewall	9	130-5795	1	Fitting-Straight
4	139-2040	2	Seal-Foam, Side	10	3229-1	2	Screw-CARR
6	144-3252	1	Mount-Washer	11	104-7201	2	Nut-HF, NI
6:2	93-7272	1	Decal-Warning	12	139-2026	1	Floormat-Platform
7	140-6665	1	Tank-Fluid, Washer (1.1L)				

# Washer Fluid Tank Assembly No. 140-6665

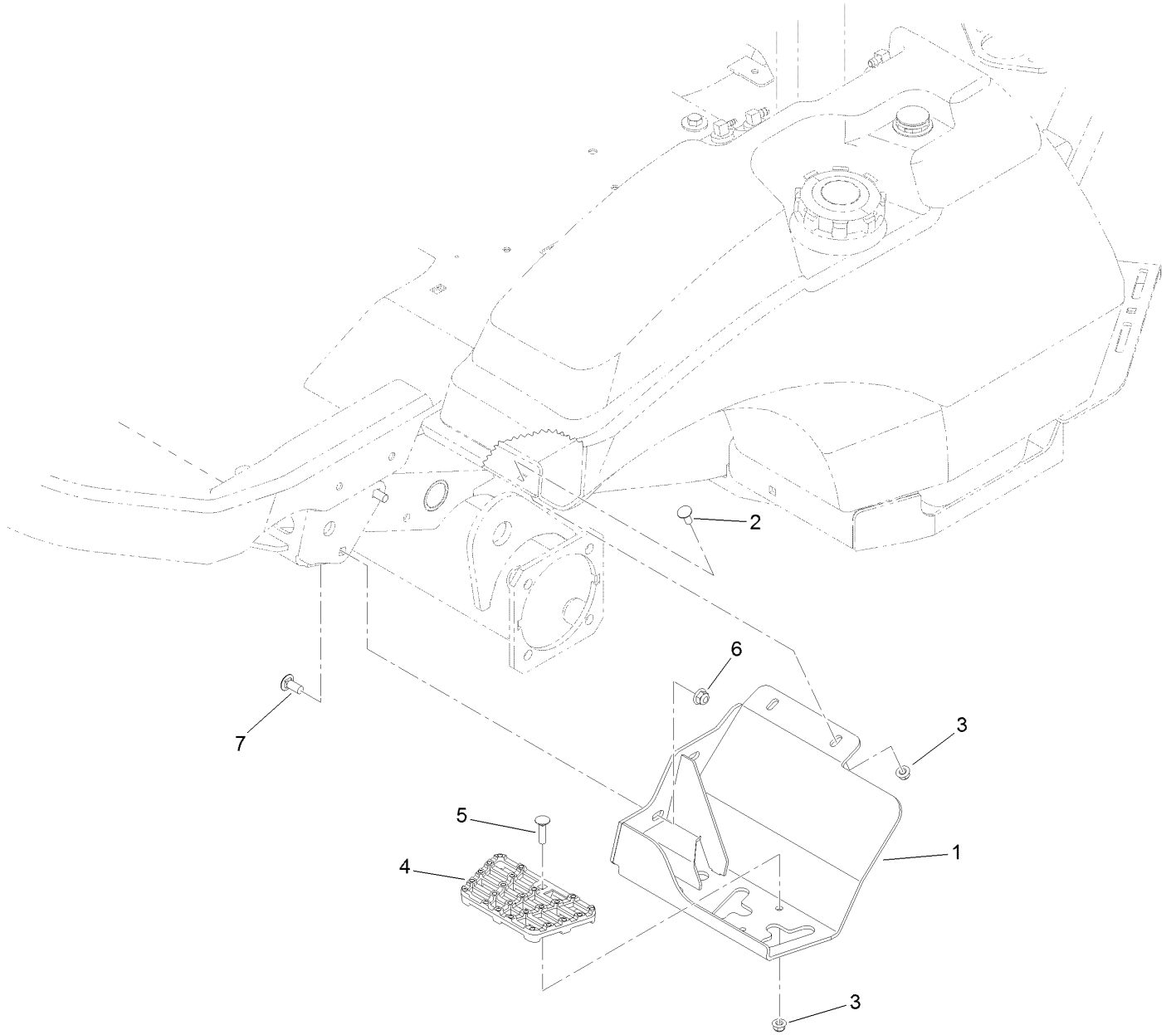


# Washer Fluid Tank Assembly No. 140-6665 (continued)

<i>Ref.</i>	<i>Part Number</i>	<i>Qty.</i>	<i>Description</i>
1	140-6666	1	Tank
2	140-6667	1	Grommet

<i>Ref.</i>	<i>Part Number</i>	<i>Qty.</i>	<i>Description</i>
3	140-6669	1	Cap-Washer
4	140-6668	1	Pump-Washer

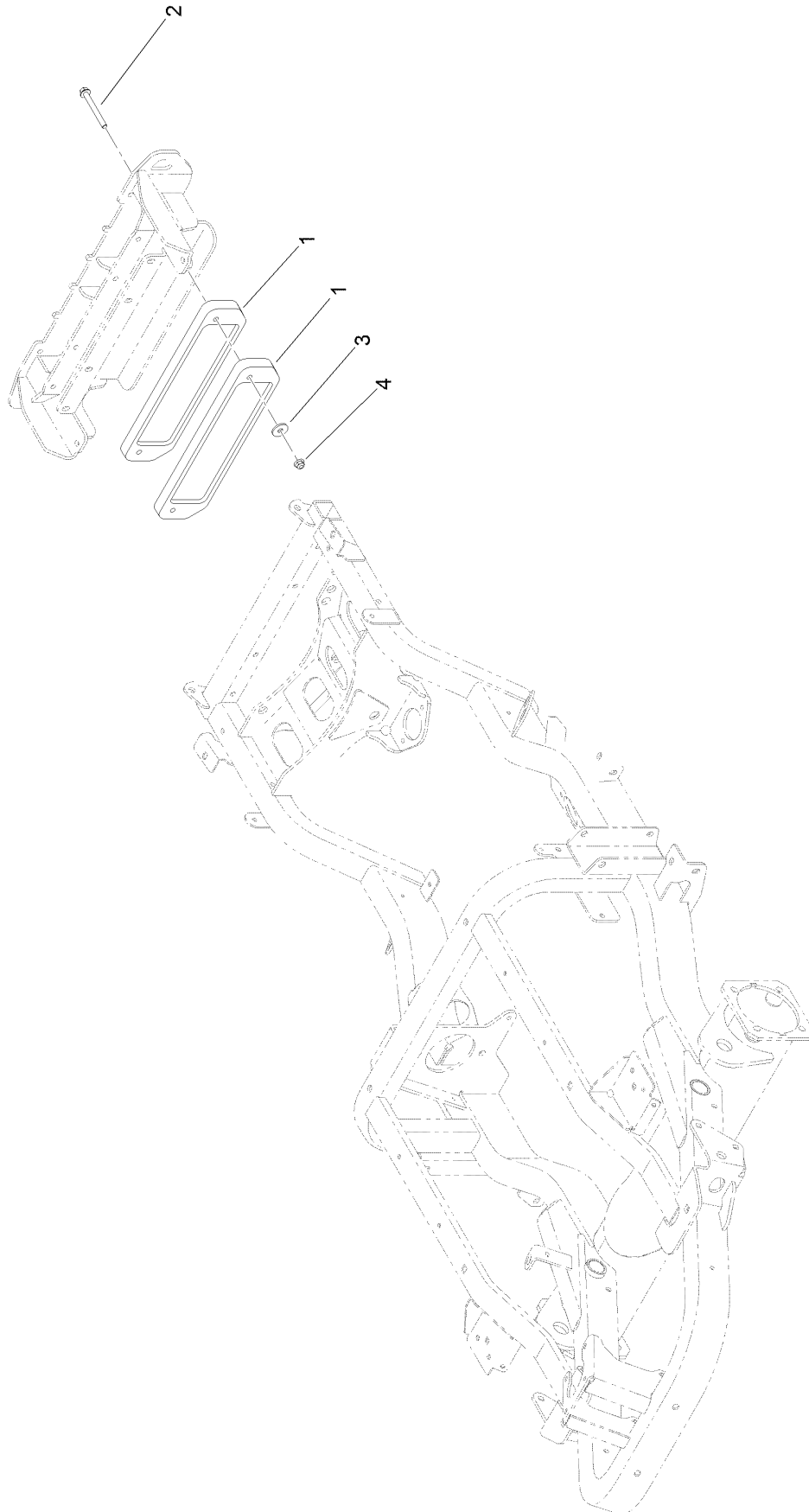
# Step Mount Assembly



## Step Mount Assembly (continued)

<i>Ref.</i>	<i>Part Number</i>	<i>Qty.</i>	<i>Description</i>	<i>Ref.</i>	<i>Part Number</i>	<i>Qty.</i>	<i>Description</i>
1	140-6577-03	1	Bracket-Mount, Step	5	3230-3	1	Screw-CARR
2	137-3061	2	Bolt-CARR	6	119-4042	2	Nut-HF, NI
3	119-4041	3	Nut-HF	7	3231-27	2	Screw-CARR
4	126-4781	1	Step-Deck				

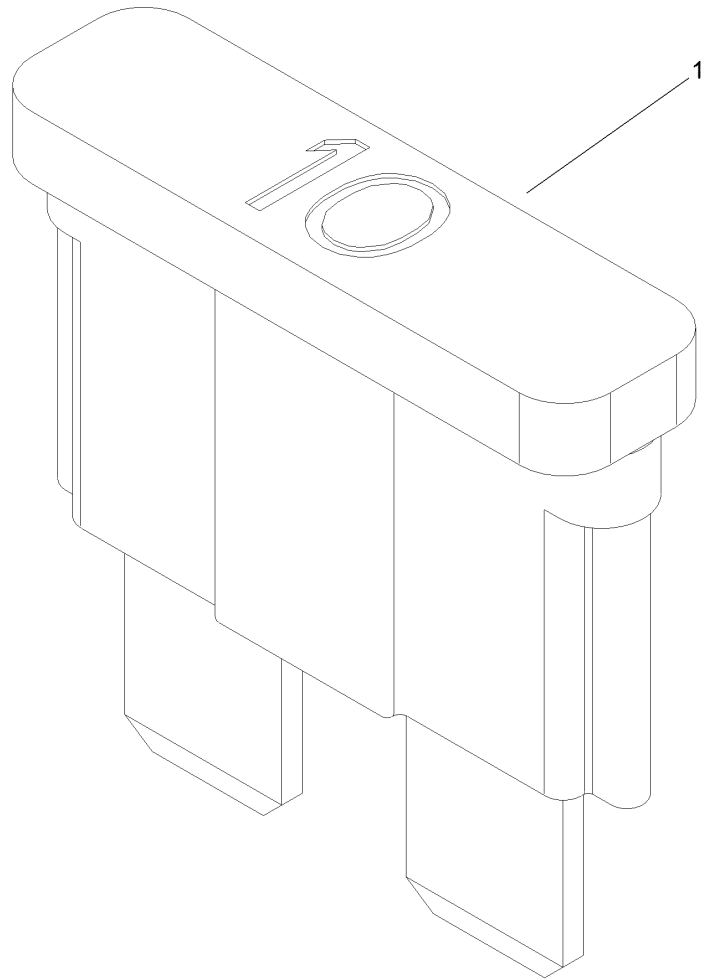
# Rear Weights Assembly



## Rear Weights Assembly (continued)

<i>Ref.</i>	<i>Part Number</i>	<i>Qty.</i>	<i>Description</i>	<i>Ref.</i>	<i>Part Number</i>	<i>Qty.</i>	<i>Description</i>
1	112-7059-01	2	Weight-Cast	3	125-9676	2	Washer-Backup
2	116-4701	2	Screw-HHF	4	119-4042	2	Nut-HF, NI

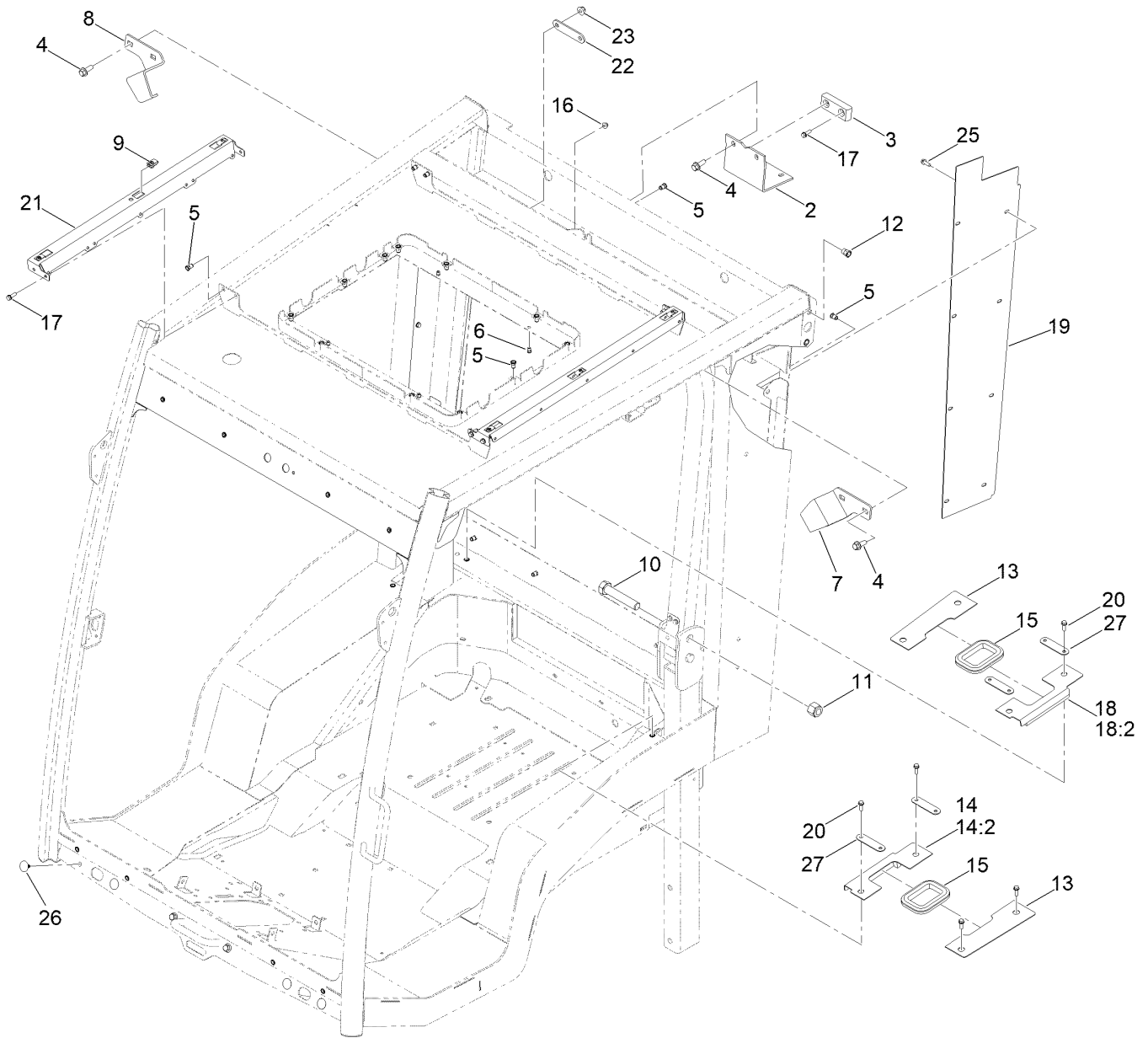
# Fuse Assembly



## Fuse Assembly (continued)

<i>Ref.</i>	<i>Part Number</i>	<i>Qty.</i>	<i>Description</i>
1	218-578	1	Fuse-Blade, 10 Amp

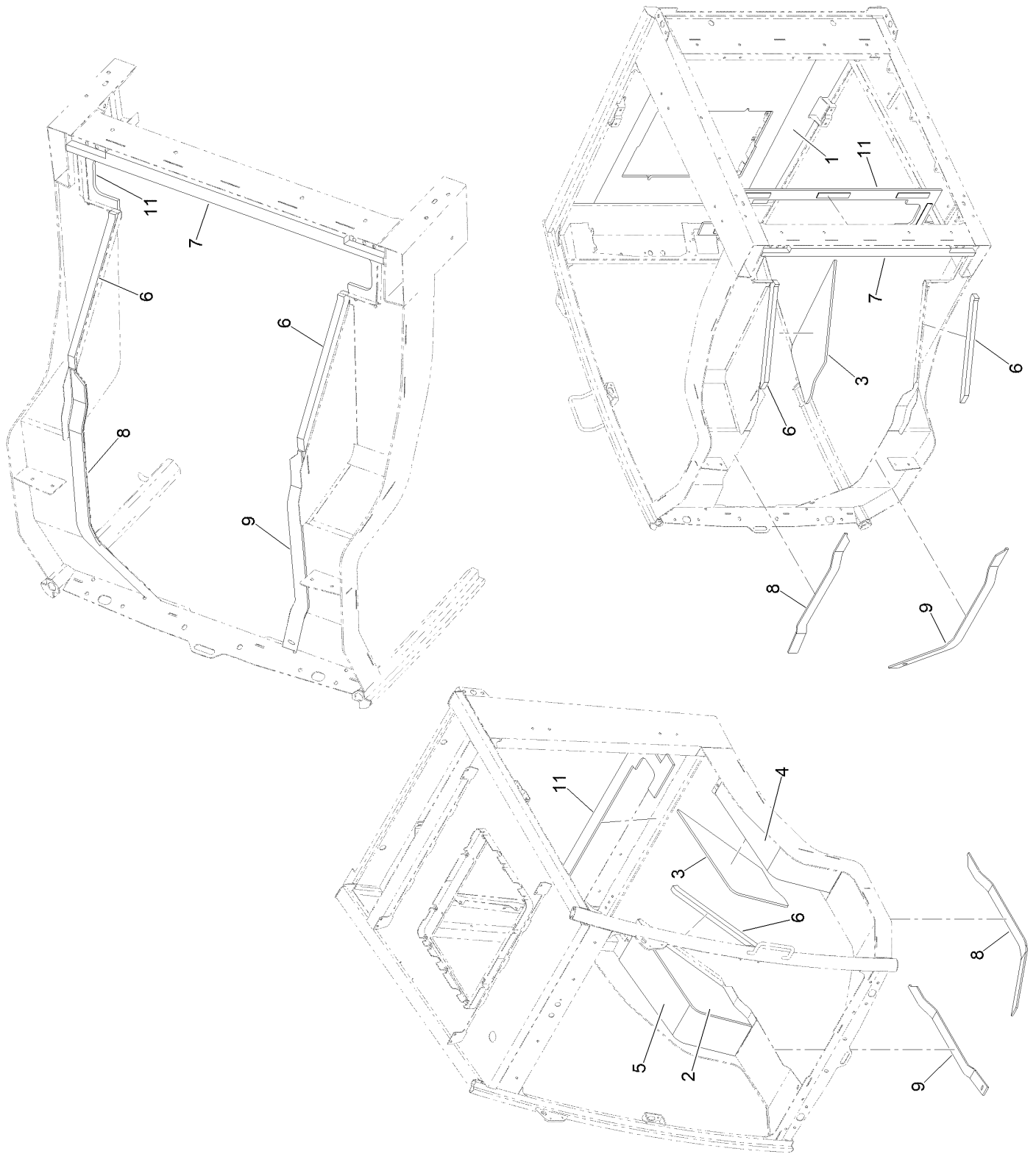
# Frame, Mount and Seals Assembly



## Frame, Mount and Seals Assembly (continued)

<i>Ref.</i>	<i>Part Number</i>	<i>Qty.</i>	<i>Description</i>	<i>Ref.</i>	<i>Part Number</i>	<i>Qty.</i>	<i>Description</i>
2	139-2043-03	2	Mount-ROPS	15	139-1959	2	Seal-Rollbar
3	86-5350	4	Bumper-Rubber	16	104-7201	8	Nut-HF, NI
4	3234-42	12	Screw-HHF	17	32105-15	16	Screw-HWH
5	138-2760	69	Nut-Clinch, Hex	18	140-6542	1	RH Cover ASM
6	137-1225	4	Nut-Clinch,Hex	18:2	139-2000	1	Seal-Foam
7	139-2172-03	1	Stop-ROPS, LH	19	137-1167-03	2	Cover-Post, Rear
8	139-2174-03	1	Stop-ROPS, RH	20	32105-15	8	Screw-HWH
9	107069	6	Clip	21	139-2158-03	2	Bracket-Mount, Roof
10	328-7	2	Screw-HH	22	139-2170	6	Brace-ROPS
11	3296-51	2	Nut-Lock, NI	23	119-4042	12	Nut-HF, NI
12	138-2899	4	Nut-Clinch	25	32105-15	16	Screw-HWH
13	140-6537-03	2	Cover-Retainer, Seal	26	140-4433	4	Rivet-Push
14	140-6541	1	LH Cover ASM	27	140-6540	4	Retainer-Cover
14:2	139-2000	1	Seal-Foam				

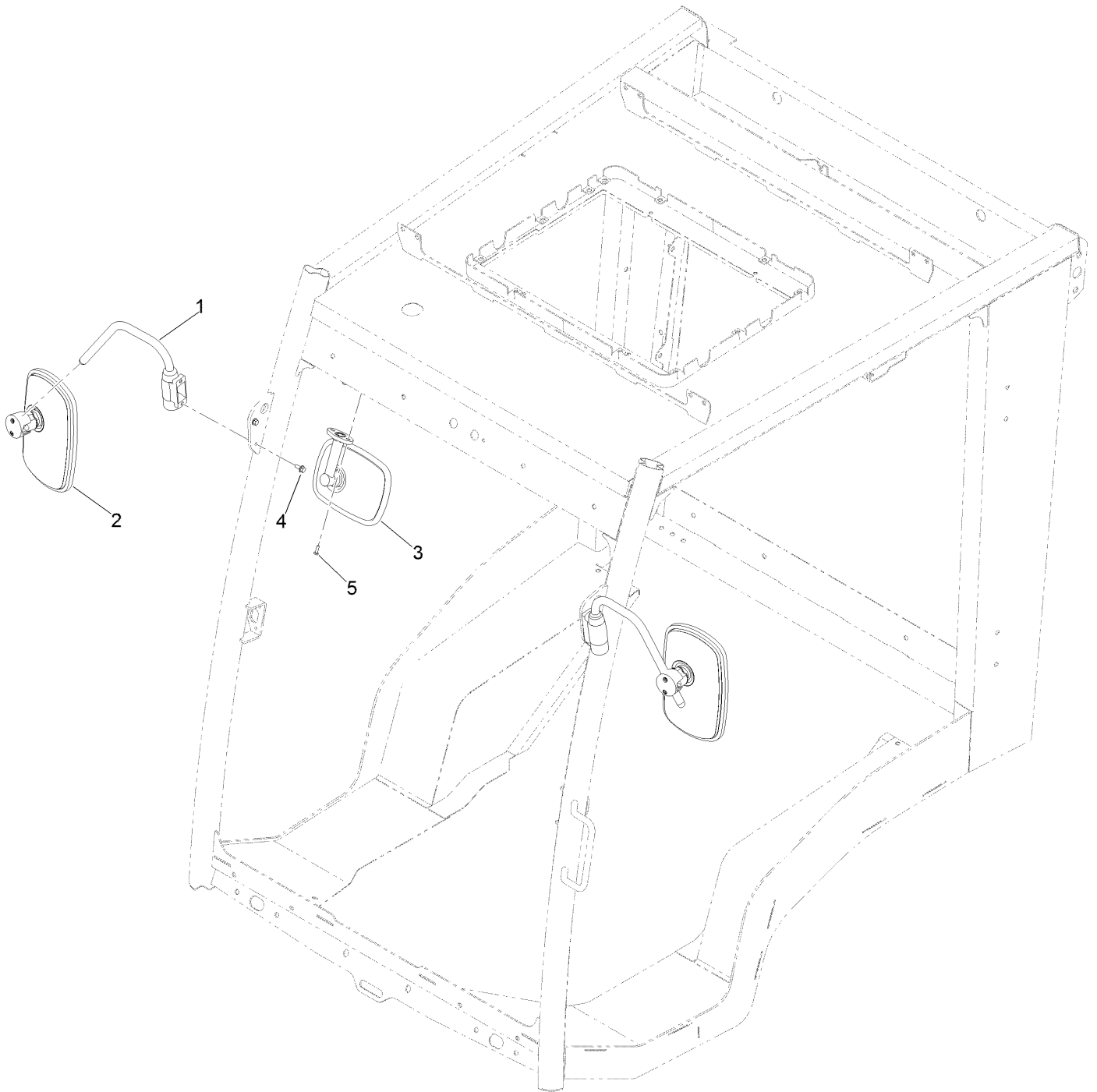
# Interior Foam and Carpet Assembly



## Interior Foam and Carpet Assembly (continued)

<i>Ref.</i>	<i>Part Number</i>	<i>Qty.</i>	<i>Description</i>	<i>Ref.</i>	<i>Part Number</i>	<i>Qty.</i>	<i>Description</i>
1	163-0369	1	Foam-Interior Roof	6	139-2003	2	Seal-Foam, Side
2	163-0340	1	Carpet-Interior, Side RH	7	139-1999	1	Seal-Foam, Rear Shelf
3	163-0339	1	Carpet-Interior, Side LH	8	139-2004	1	Seal-Foam, LH
4	163-0341	1	Carpet-Interior, Tank LH	9	139-2005	1	Seal-Foam, RH
5	163-0342	1	Carpet-Interior, Tank RH	11	163-0337	1	Rear-Panel, Foam

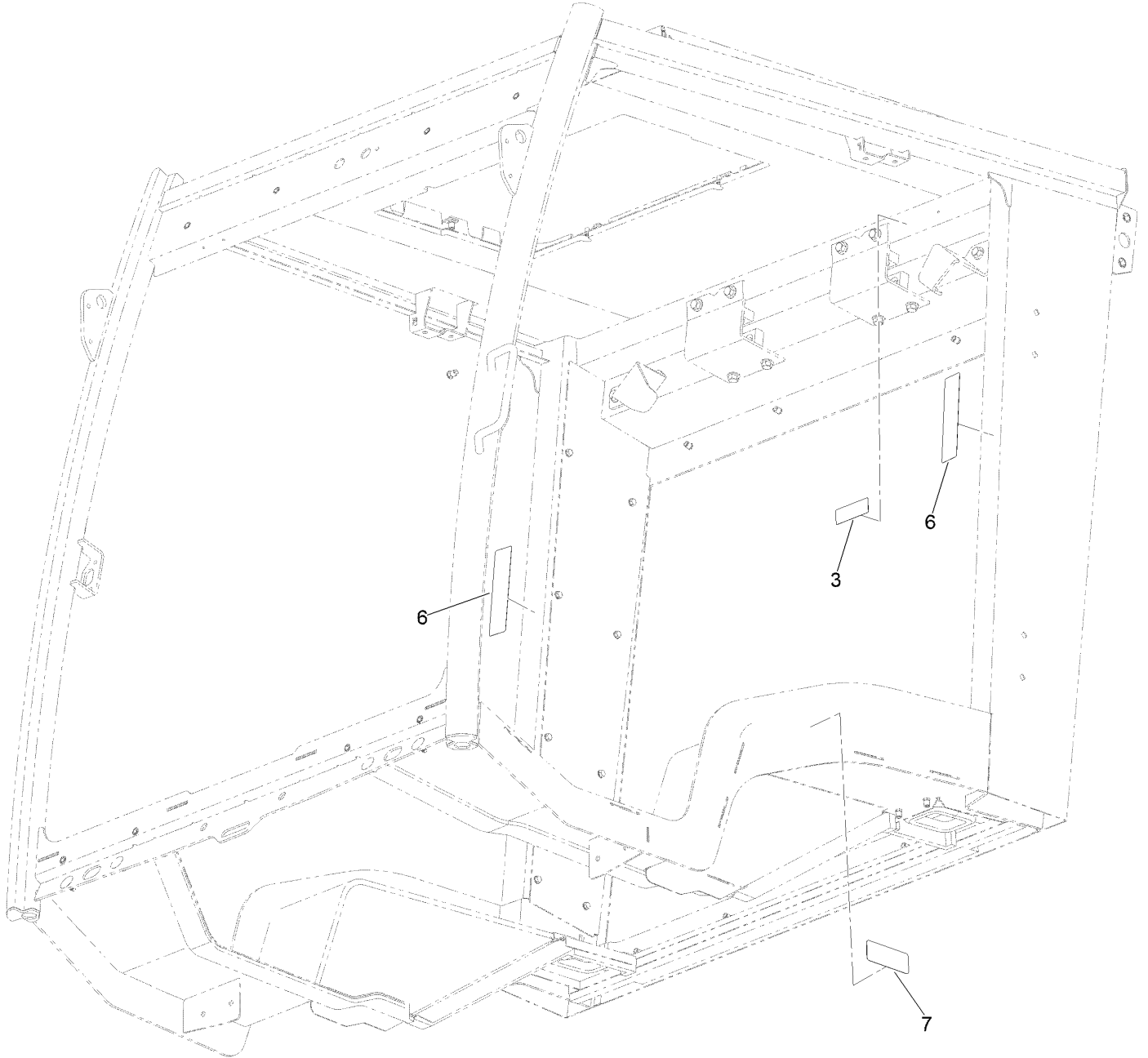
# Cab Mirrors Assembly



## Cab Mirrors Assembly (continued)

<i>Ref.</i>	<i>Part Number</i>	<i>Qty.</i>	<i>Description</i>	<i>Ref.</i>	<i>Part Number</i>	<i>Qty.</i>	<i>Description</i>
1	121-8275	2	Arm-Mirror, Side	4	33103-016	4	Screw-HHF
2	121-8341	2	Side Mirror ASM	5	32144-32	2	Screw-PPH
3	121-8343	1	Interior Mirror ASM				

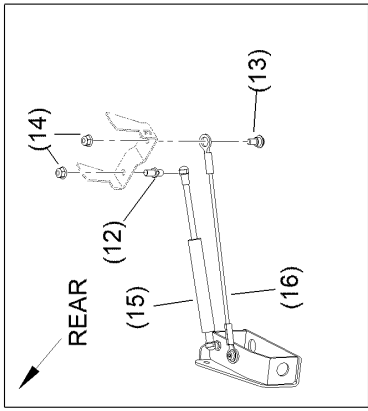
# Decal Assembly



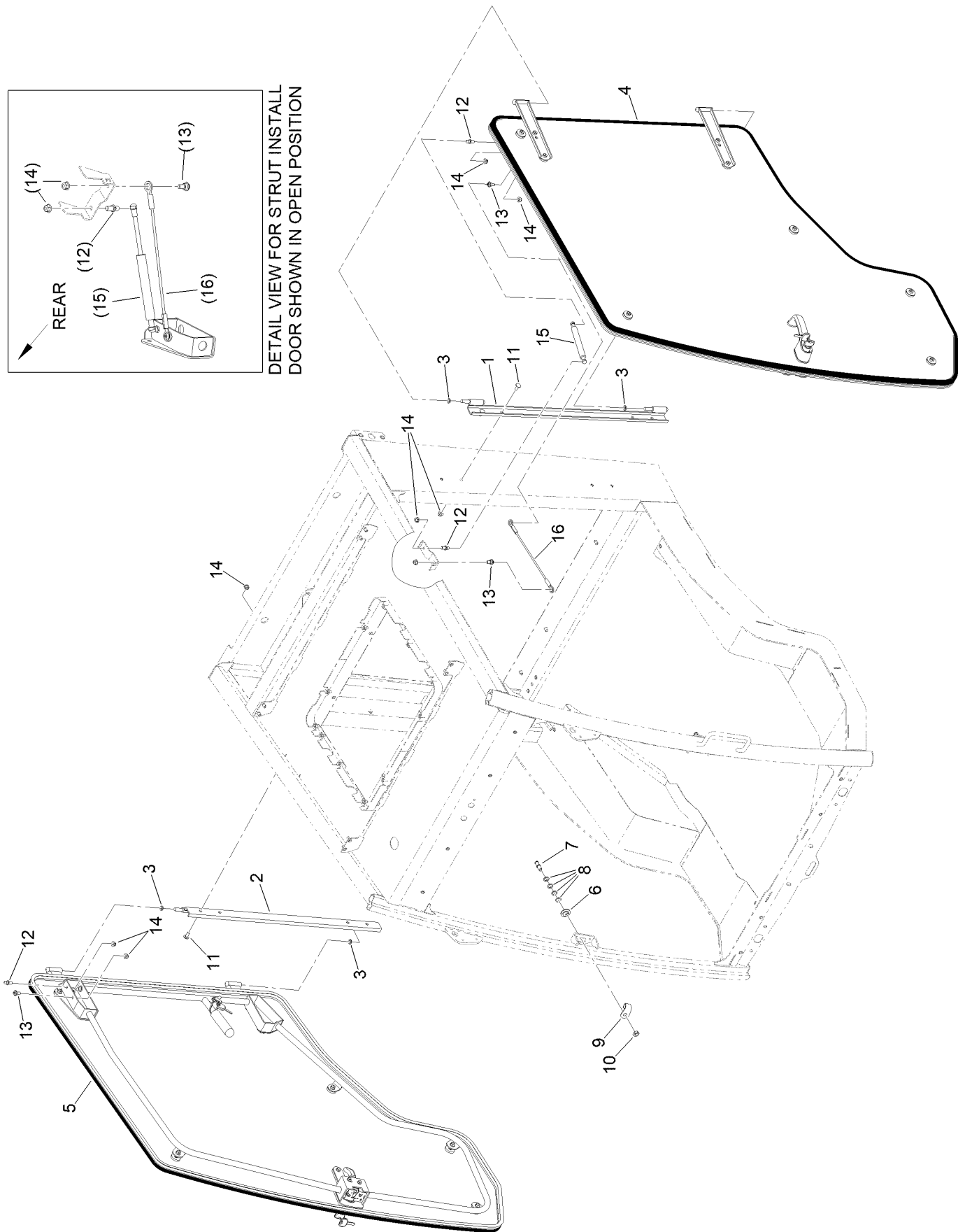
## Decal Assembly (continued)

<i>Ref.</i>	<i>Part Number</i>	<i>Qty.</i>	<i>Description</i>
3	140-1462	1	Decal-Regulatory
6	130-0594	2	Decal-Warning
7	106-9206	2	Decal-Torque, Wheel

# Door Assembly



DETAIL VIEW FOR STRUT INSTALL  
DOOR SHOWN IN OPEN POSITION

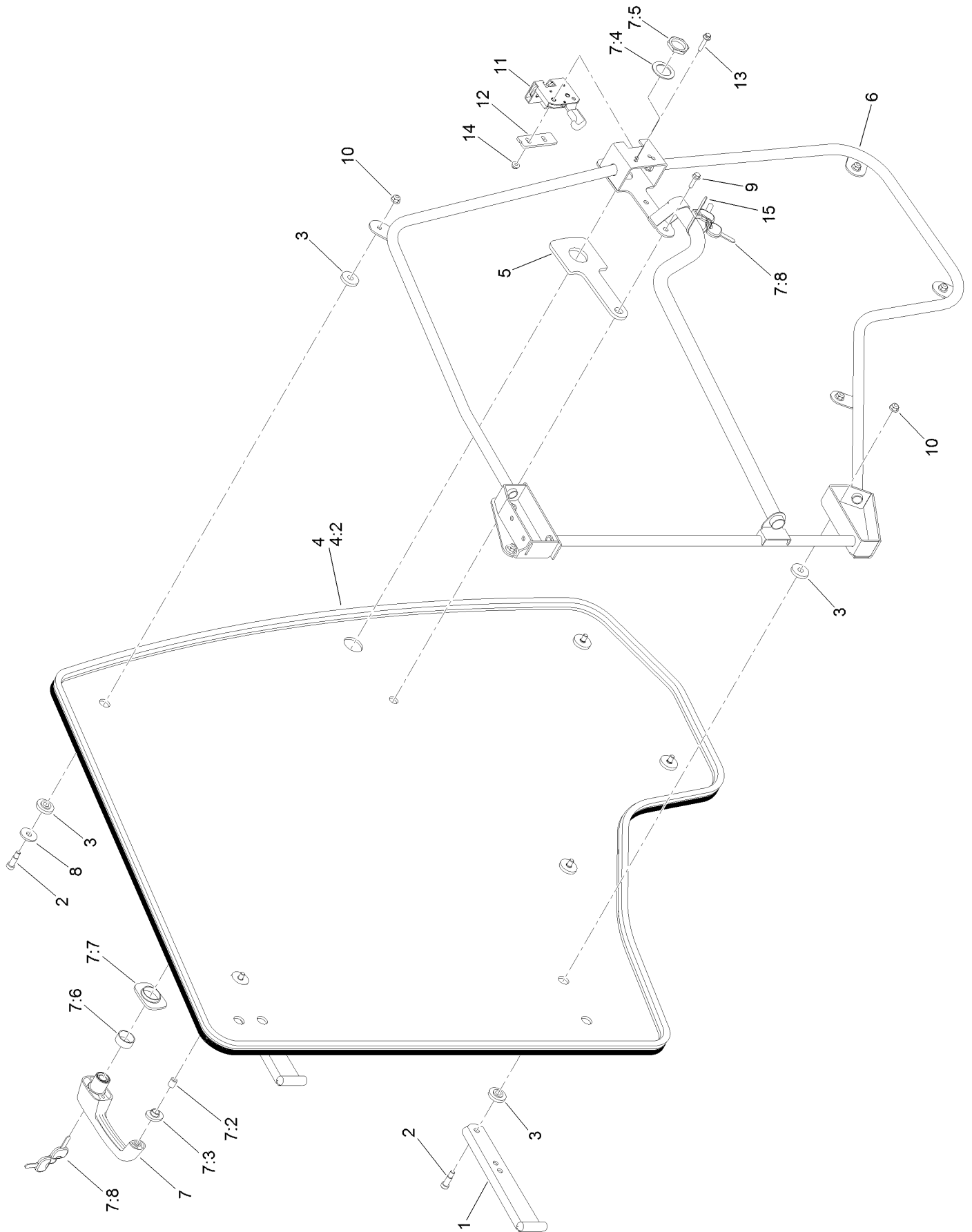


## Door Assembly (continued)

<i>Ref.</i>	<i>Part Number</i>	<i>Qty.</i>	<i>Description</i>	<i>Ref.</i>	<i>Part Number</i>	<i>Qty.</i>	<i>Description</i>
1	138-2944-03	1	Mount-Door, LH	9	121-8393	2	Guard-Striker
2	138-2945-03	1	Mount-Door, RH	10	140-4431	2	Nut-Hex, Jam
3	121-8441	4	Washer-Spacer	11	137-3061	8	Bolt-CARR
4		1	LH Door ASM ●	12	98-3104	4	Stud-Ball
5		1	RH Door ASM ●	13	120-9471	4	Bolt-Shoulder
6	125-9992	2	Adjuster-Stud	14	119-4041	16	Nut-HF
7	140-4422	2	Striker-Stud	15	144-3517	2	Spring-Gas, Door
8	73-0040	8	Washer-Thrust	16	140-1636	2	Lanyard-Coated

● Not serviced separately

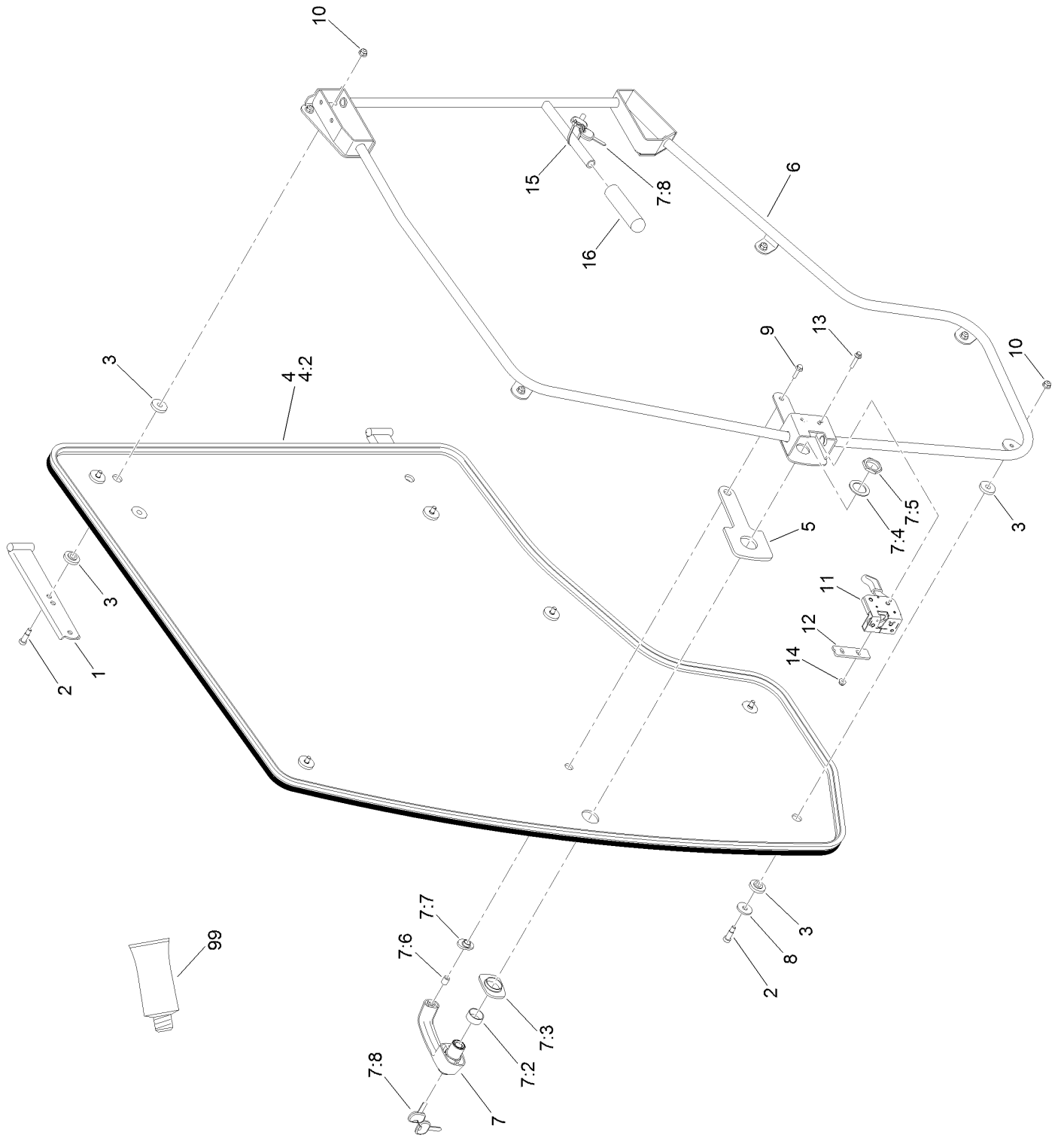
# LH Door Assembly



## LH Door Assembly (continued)

<i>Ref.</i>	<i>Part Number</i>	<i>Qty.</i>	<i>Description</i>	<i>Ref.</i>	<i>Part Number</i>	<i>Qty.</i>	<i>Description</i>
1	132-3622-03	2	Hinge-Door, LH	7:6	121-8627	1	Cylinder-Mounting, End
2	125-9520	9	Screw-Shoulder, HSH	7:7	121-8323	1	Grommet-Mounting, Small
3	125-9982	18	Bushing-Flange	7:8	125-9531	1	Key-Set
4	137-1207	1	LH Glass Door ASM	8	125-9676	5	Washer-Backup
4:2	137-1205	1	Trim-Seal, Door	9	33103-025	1	Screw-HHF
5	121-8331	1	Gasket-Handle	10	119-4041	9	Nut-HF
6	140-6552-03	1	Frame-Door, LH	11	121-8391	1	Latch-LH
7	121-8630	1	Handle ASM	12	121-8395	1	Plate-Support, Latch
7:2	121-8628	1	Cylinder-Mounting, Key	13	3234-21	2	Screw-HHF
7:3	121-8322	1	Grommet-Mounting, Large	14	104-7201	2	Nut-HF, NI
7:4	121-8327	1	Washer	15	3290-378	1	Tie-Cable
7:5	121-8328	1	Nut				

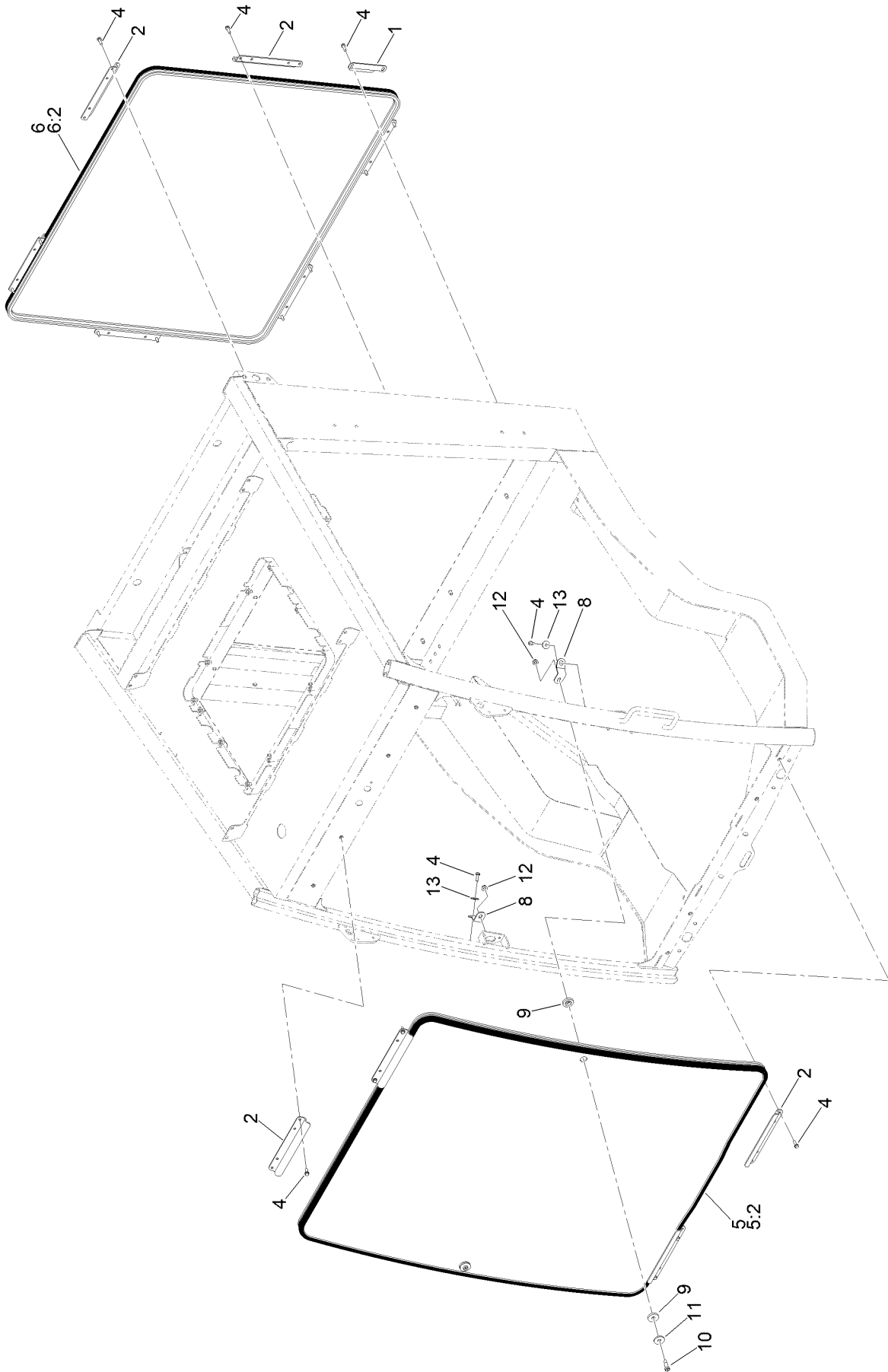
# RH Door Assembly



## RH Door Assembly (continued)

<i>Ref.</i>	<i>Part Number</i>	<i>Qty.</i>	<i>Description</i>	<i>Ref.</i>	<i>Part Number</i>	<i>Qty.</i>	<i>Description</i>
1	132-3636-03	2	Hinge-Door, RH	7:7	121-8323	1	Grommet-Mounting, Small
2	125-9520	9	Screw-Shoulder, HSH	7:8	125-9531	1	Key-Set
3	125-9982	18	Bushing-Flange	8	125-9676	5	Washer-Backup
4	137-1208	1	RH Glass Door ASM	9	33103-025	1	Screw-HHF
4:2	137-1205	1	Trim-Seal, Door	10	119-4041	9	Nut-HF
5	121-8331	1	Gasket-Handle	11	121-8390	1	Latch-RH
6	140-6553-03	1	Frame-Door, RH	12	121-8395	1	Plate-Support, Latch
7	121-8630	1	Handle ASM	13	3234-21	2	Screw-HHF
7:2	121-8628	1	Cylinder-Mounting, Key	14	104-7201	2	Nut-HF, NI
7:3	121-8322	1	Grommet-Mounting, Large	15	3290-378	1	Tie-Cable
7:4	121-8327	1	Washer	16	110-1037	1	Grip-Handle
7:5	121-8328	1	Nut	99	505-42	1	Adhesive-Loctite
7:6	121-8627	1	Cylinder-Mounting, End				

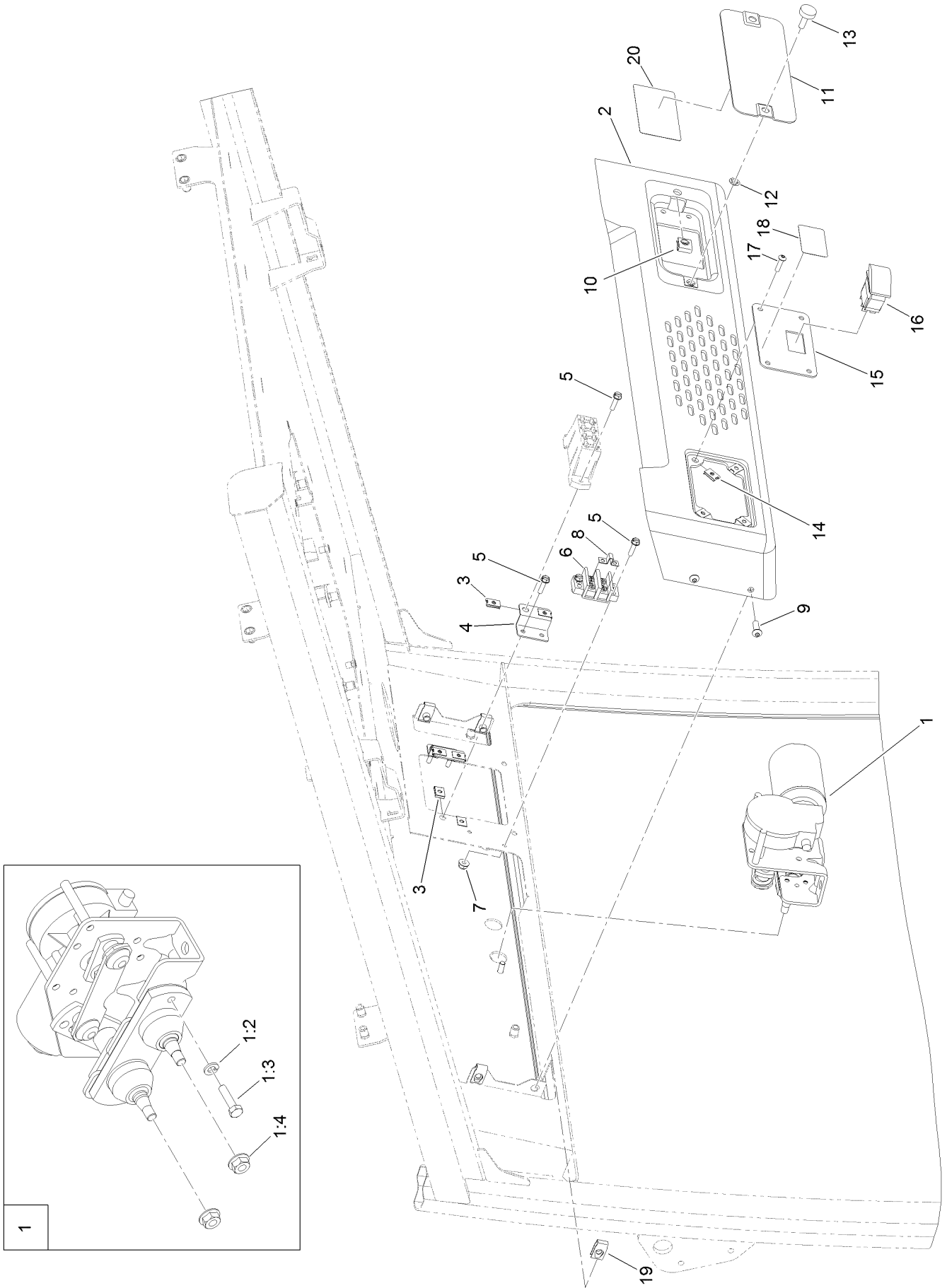
# Front and Rear Glass Assembly



## Front and Rear Glass Assembly (continued)

<i>Ref.</i>	<i>Part Number</i>	<i>Qty.</i>	<i>Description</i>	<i>Ref.</i>	<i>Part Number</i>	<i>Qty.</i>	<i>Description</i>
1	140-6575-03	2	Bracket-Cover	8	140-4432	2	Bracket-Mount, Window
2	139-2313-03	10	Bracket-Retainer	9	125-9982	4	Bushing-Flange
4	32105-15	26	Screw-HWH	10	125-9520	2	Screw-Shoulder, HSH
5	137-1209	1	Glass Windshield ASM	11	125-9676	2	Washer-Backup
5:2	139-2263	1	Trim-Seal, Windshield	12	119-4041	2	Nut-HF
6	139-1971	1	Rear Window ASM	13	3256-67	2	Washer
6:2	138-2895	1	Trim-Glass.Rear				

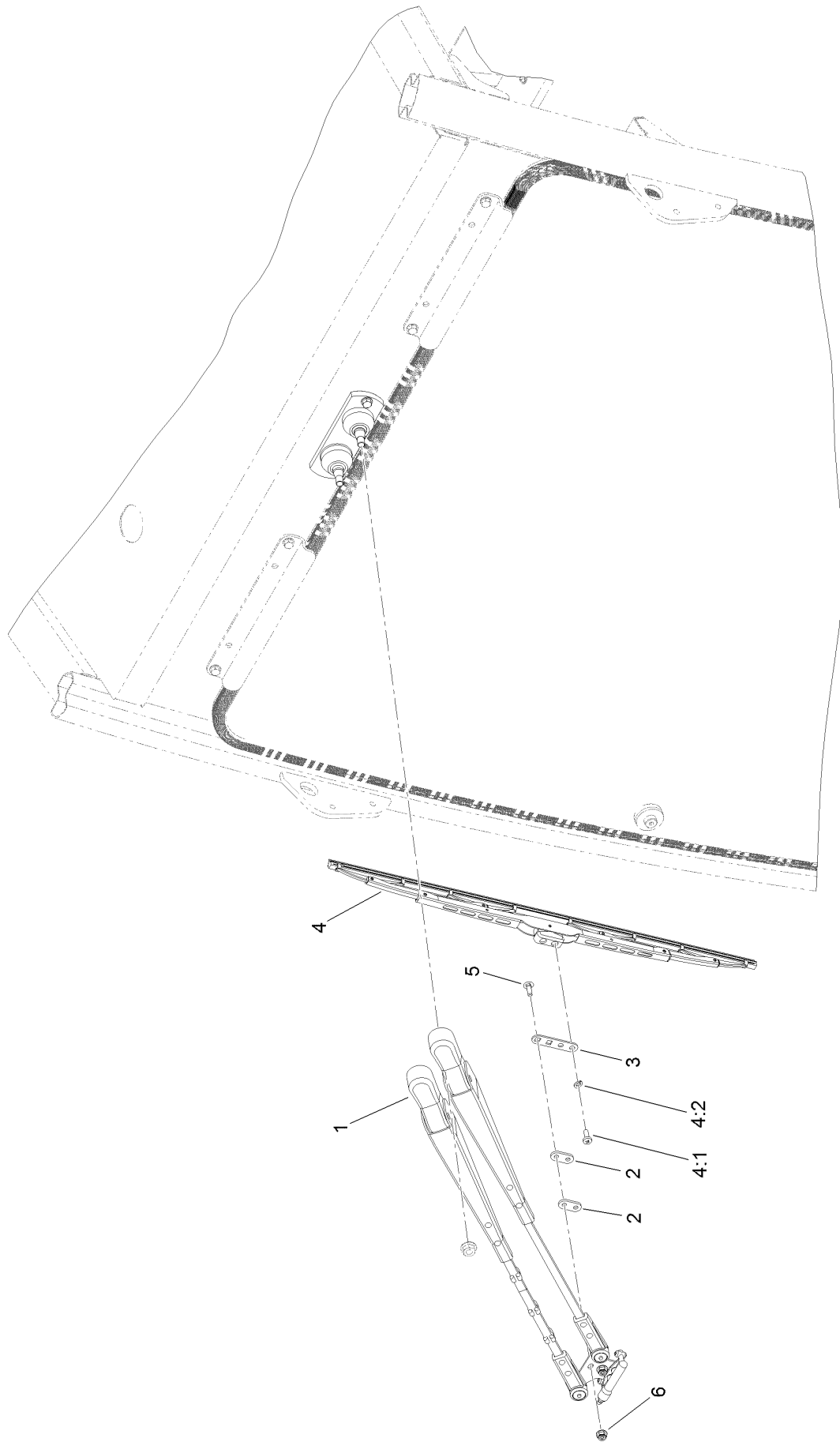
# Window Wiper System Assembly



## Window Wiper System Assembly (continued)

<i>Ref.</i>	<i>Part Number</i>	<i>Qty.</i>	<i>Description</i>	<i>Ref.</i>	<i>Part Number</i>	<i>Qty.</i>	<i>Description</i>
1	125-7452	1	Wiper Motor ASM	10	609900	2	Nut-Speed
1:2	3253-3	1	Washer-Lock	11	125-9603-03	1	Plate-Cover, Fuse
1:3	33113-025	1	Screw-HH	12	32115-15	4	Nut-Push
1:4	112-2844	2	Nut-HF	13	125-7438	2	Knob-Screw, Thumb
2	138-2764	1	Cover-Wiper	14	163-0363	4	Nut-U-Clip Speed Retainer
3	107-1013	6	Nut-Speed	15	139-2048-03	1	Plate-Mount, Switch
4	138-2822	2	Bracket-Fuse Block	16	119-8355	1	Switch-Rocker
5	32105-13	8	Screw-HWH	17	104-2408	4	Screw-HSBH
6	42862	1	Block-Terminal, Ground	18	125-9688	1	Decal-Washer
7	120-4578	2	Nut-HF	19	107069	4	Clip
8	42863	1	Strip-Jumper	20	140-6632	1	Decal-Fuse Panel
9	3274-69	4	Screw-HSBH				

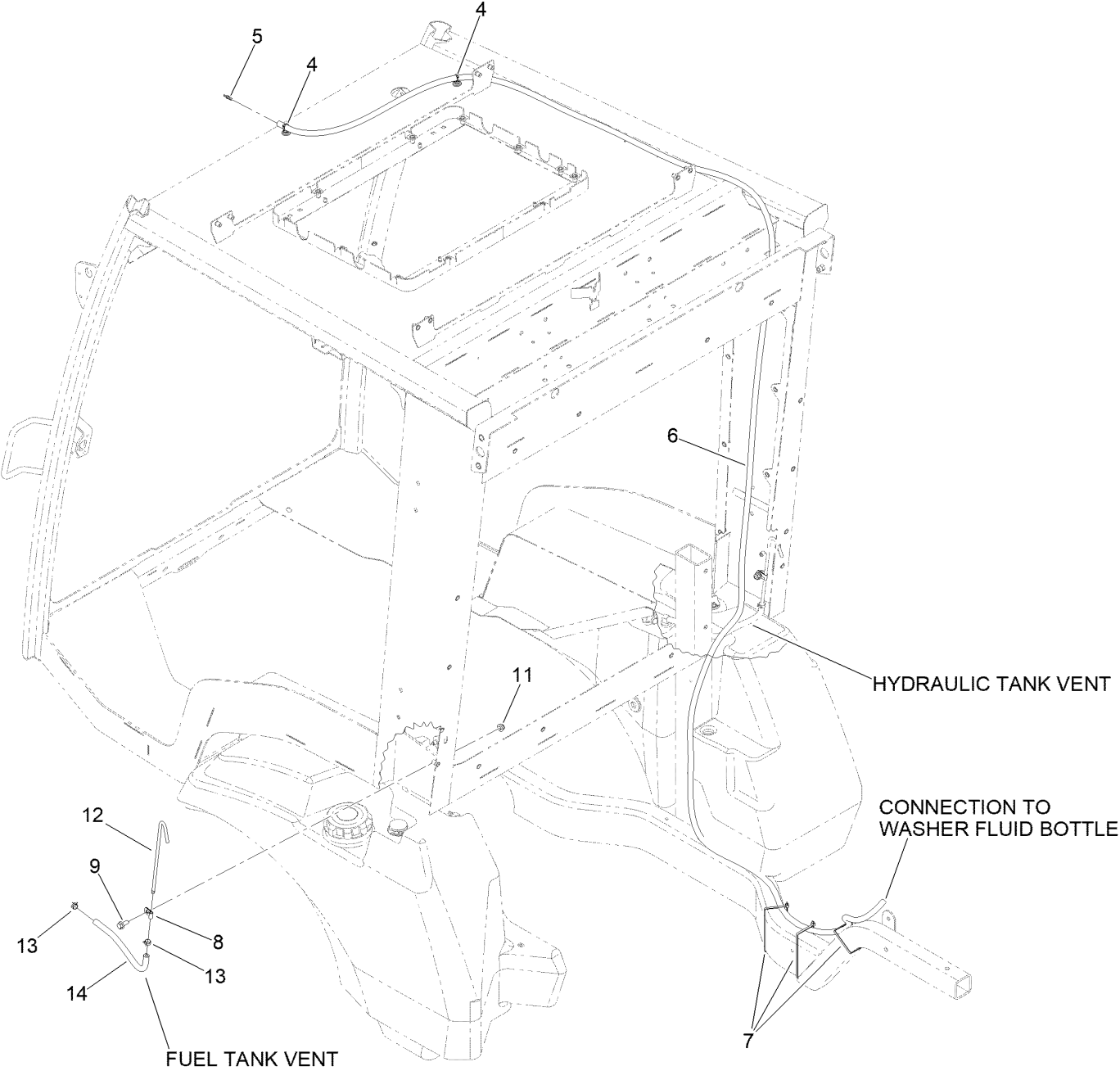
# Window Wiper Assembly



## Window Wiper Assembly (continued)

<i>Ref.</i>	<i>Part Number</i>	<i>Qty.</i>	<i>Description</i>	<i>Ref.</i>	<i>Part Number</i>	<i>Qty.</i>	<i>Description</i>
1	137-1114	1	Arm-Wiper	4:1	47-2830	2	Screw
2	139-2250	2	Mount-Wiper, Spacer	4:2	43-5920	2	Washer-Lock, Spring
3	140-6556	1	Mount-Wiper	5	3229-20	2	Screw-CARR
4	137-1127	1	Blade-Wiper	6	138-0719	2	Nut-HF

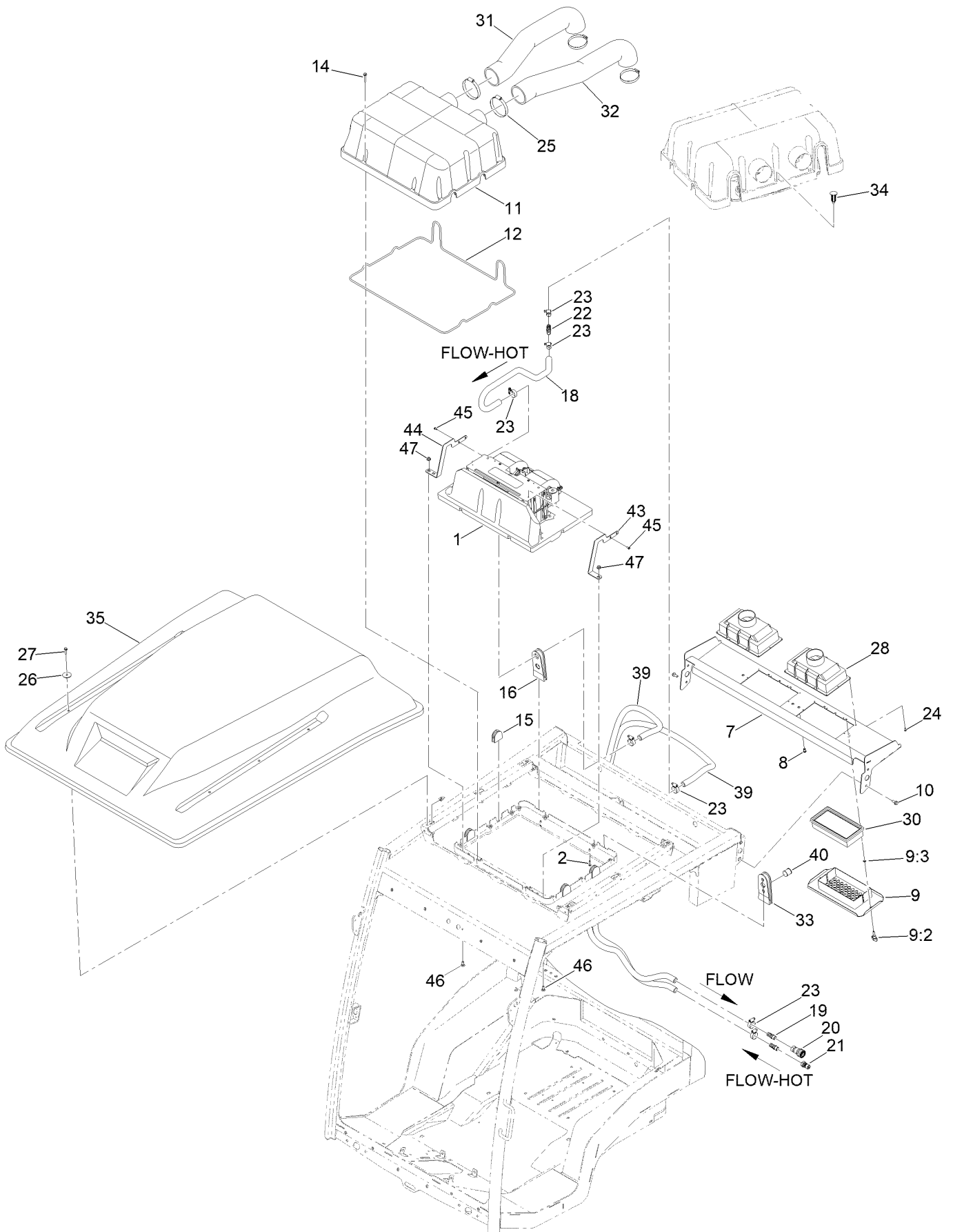
# Window Wiper Hose Assembly



## Window Wiper Hose Assembly (continued)

<i>Ref.</i>	<i>Part Number</i>	<i>Qty.</i>	<i>Description</i>	<i>Ref.</i>	<i>Part Number</i>	<i>Qty.</i>	<i>Description</i>
4	32180-139	2	Mount-Tie Wrap, Magnetic	9	3234-47	2	Screw-HHF
5	127-9905	1	Fitting-Hose, Barb	11	119-4041	2	Nut-HF
6	139-2175	1	Hose-Washer Fluid	12	139-6252	2	Tube-Vent
7	3290-379	3	Tie-Cable	13	2412-98	4	Clamp-Hose
8	2412-103	2	Clamp	14	139-6253	2	Hose-Fuel

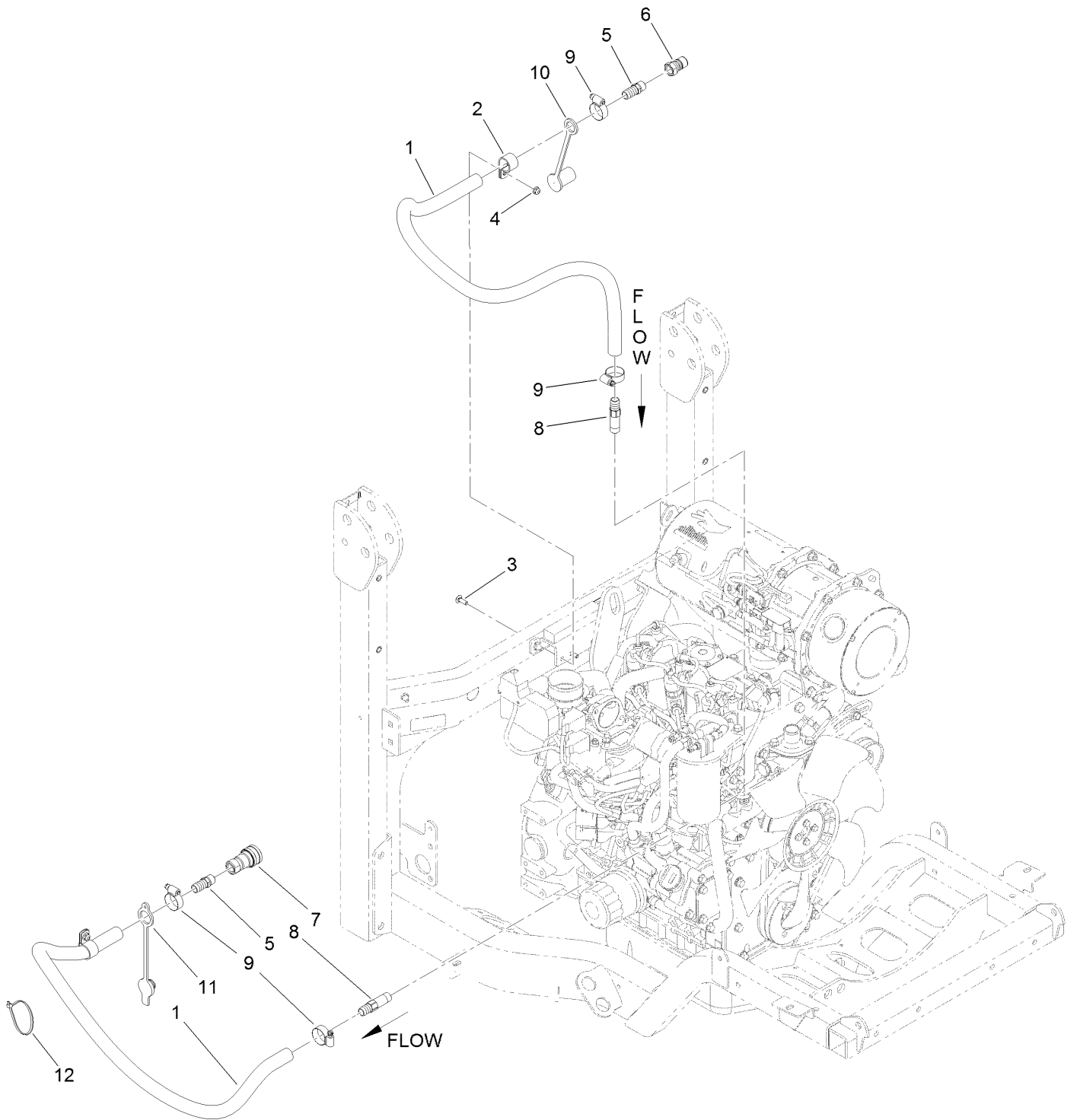
# Heater Assembly



## Heater Assembly (continued)

<i>Ref.</i>	<i>Part Number</i>	<i>Qty.</i>	<i>Description</i>	<i>Ref.</i>	<i>Part Number</i>	<i>Qty.</i>	<i>Description</i>
1	163-0362	1	Hv ASM	24	3290-55	20	Rivet-Pop
2	3250-27	4	Screw-PPH	25	2412-110	4	Clamp-Band/Screw
7	139-2057-03	1	Rear-Filter, Wa	26	136-7176	6	Washer-Fender
8	138-2760	4	Nut-Clinch, Hex	27	120-4654	6	Screw-HHF
9	137-1397	2	Filter Cover ASM	28	137-1281	2	Box-Intake, Air
9:2	126-5846	2	Knob-T	30	121-8457	2	Filter-Air
9:3	32115-15	2	Nut-Push	31	139-1976	1	Hose-Air, RH
10	3234-47	4	Screw-HHF	32	139-1977	1	Hose-Air, LH
11	138-2827	1	Cover-A/C	33	140-1624	1	Plug-A/C Lines
12	138-2831	1	Seal-Cord, Foam	34	114-4899	1	Rivet-Push
14	131-5927	11	Screw-HHF	35	139-1947	1	Roof-Cab
15	140-6567	4	Plug-Drain Line	39	139-2171	2	Hose-Heater
16	138-2816	1	Plug-Lines, Heat	40	139-1979	1	Plug-Flanged
18	163-0405	1	Heater-Hose, Formed	43	163-0429-0P	1	Brkt-Support, Left
19	117-9410	2	Fitting-Straight	44	163-0430-0P	1	Brkt-Support, Right
20	125-9679	1	Coupler-Female	45	117-5036	4	Screw-Plastic, HWH
21	125-9680	1	Coupler-Male	46	3230-1	4	Bolt-CARR
22	131-3373	1	Fitting-STR	47	119-4041	4	Nut-HF
23	2412-119	6	Clamp-Hose				

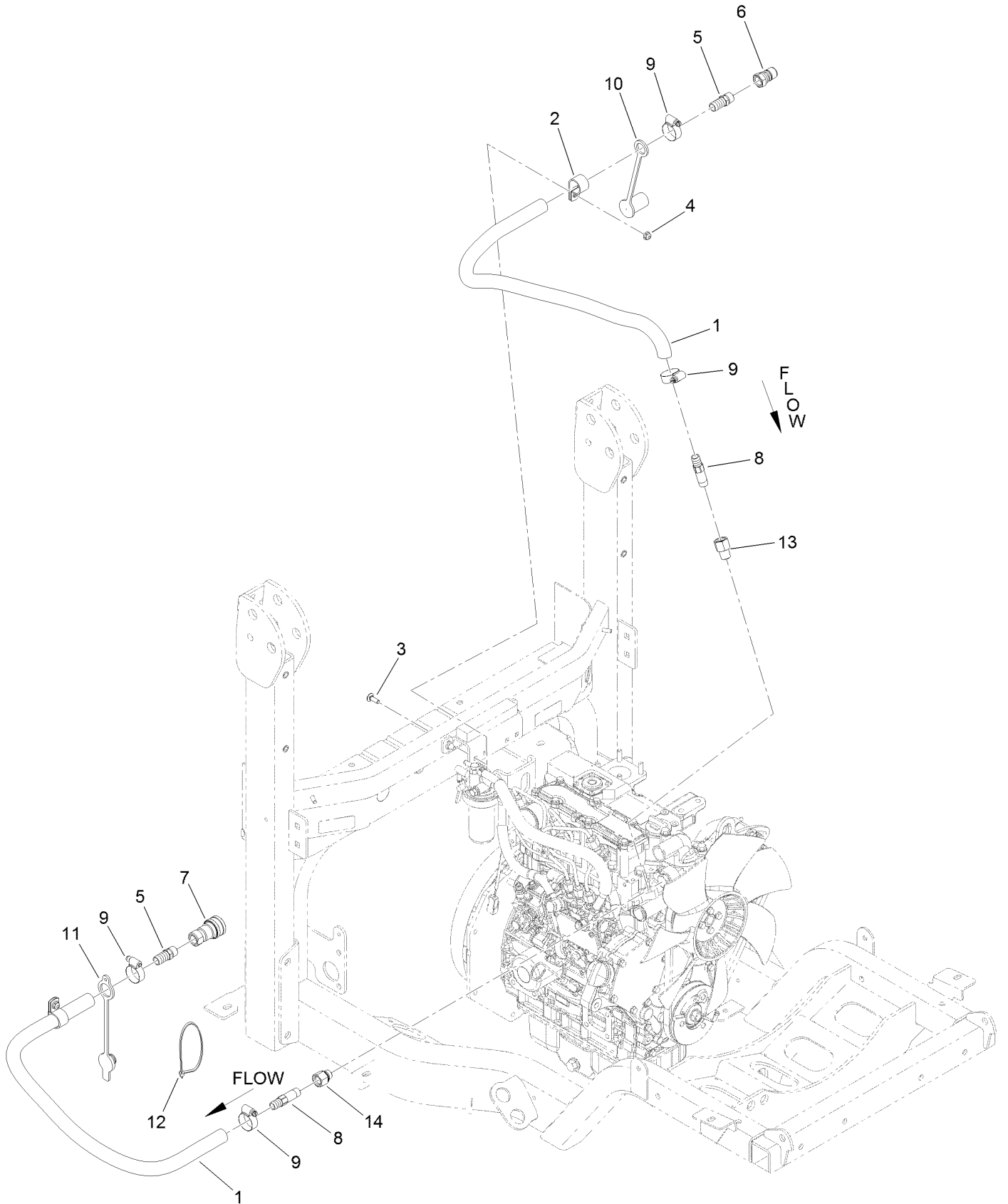
# Heater Hose 37HP Assembly



## Heater Hose 37HP Assembly (continued)

<i>Ref.</i>	<i>Part Number</i>	<i>Qty.</i>	<i>Description</i>	<i>Ref.</i>	<i>Part Number</i>	<i>Qty.</i>	<i>Description</i>
1	139-2173	2	Hose-Heater	7	125-9679	1	Coupler-Female
2	2412-39	2	Clamp-R	8	139-2236	2	Fitting-STR Spcl
3	1-807512	2	Bolt-CARR	9	2412-119	4	Clamp-Hose
4	104-7201	2	Nut-HF, NI	10	105-7963	1	Cap-Dust
5	117-9410	2	Fitting-Straight	11	105-7962	1	Plug-Dust
6	125-9680	1	Coupler-Male	12	3290-379	1	Tie-Cable

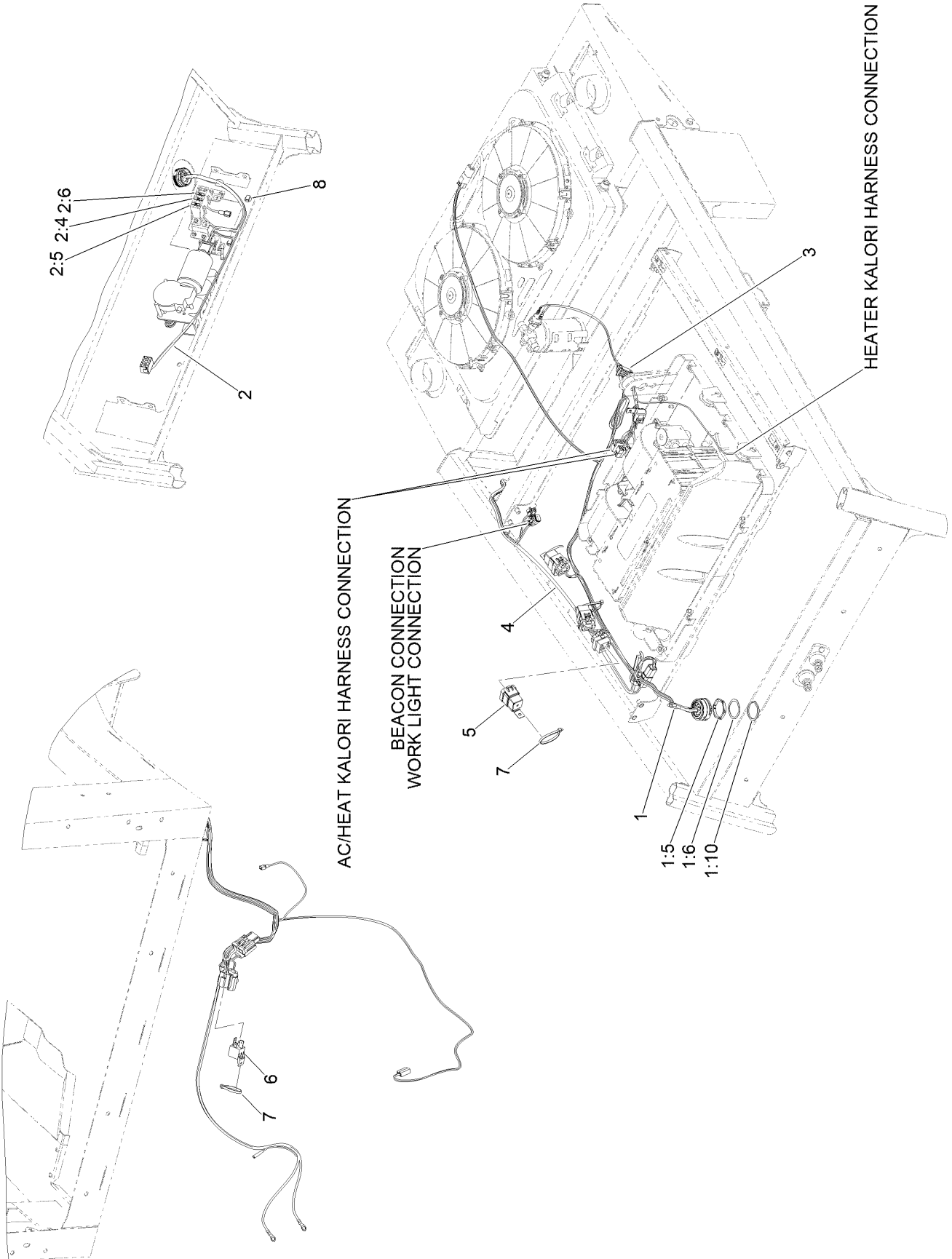
# Heater Hose 24HP Assembly



## Heater Hose 24HP Assembly (continued)

<i>Ref.</i>	<i>Part Number</i>	<i>Qty.</i>	<i>Description</i>	<i>Ref.</i>	<i>Part Number</i>	<i>Qty.</i>	<i>Description</i>
1	139-2173	2	Hose-Heater	8	139-2236	2	Fitting-STR Spcl
2	2412-39	2	Clamp-R	9	2412-119	4	Clamp-Hose
3	1-807512	2	Bolt-CARR	10	105-7963	1	Cap-Dust
4	104-7201	2	Nut-HF, NI	11	105-7962	1	Plug-Dust
5	117-9410	2	Fitting-Straight	12	3290-379	1	Tie-Cable
6	125-9680	1	Coupler-Male	13	139-2233	1	Adaptor-STR
7	125-9679	1	Coupler-Female	14	139-2218	1	Adaptor-STR

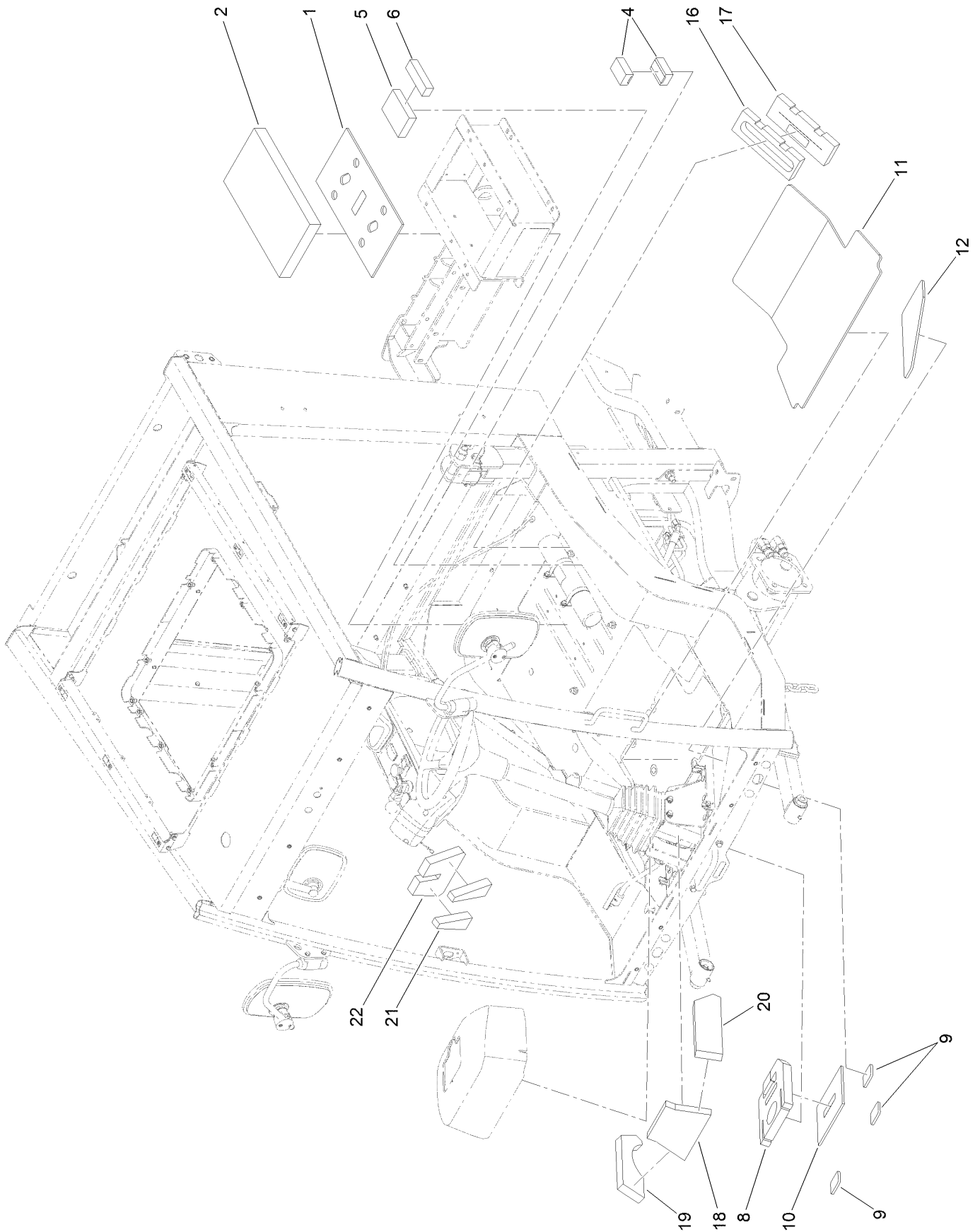
# Electrical Component Assembly



## Electrical Component Assembly (continued)

<i>Ref.</i>	<i>Part Number</i>	<i>Qty.</i>	<i>Description</i>	<i>Ref.</i>	<i>Part Number</i>	<i>Qty.</i>	<i>Description</i>
1	122-1245	1	Harness-Wire, A/C Roof	2:6	99-6124	1	Fuse-40 Amp
1:5	32180-135	1	Nut-Connector	3	122-4462	1	Harness-Wire, Adapter
1:6	32180-143	1	Washer-Lock	4	122-1435	1	Harness-Wire, Cab Power
1:10	161-7851	1	Gasket-Receptacle	5	99-7430	3	Relay-Mini
2	122-1660	1	Harness-Wire, A/C Panel	6	99-7435	1	Relay
2:4	109101	1	Fuse-Blade, 20 Amp	7	3290-378	6	Tie-Cable
2:5	109102	1	Fuse-Blade, 25 Amp	8	32180-030	2	Clip-Tie

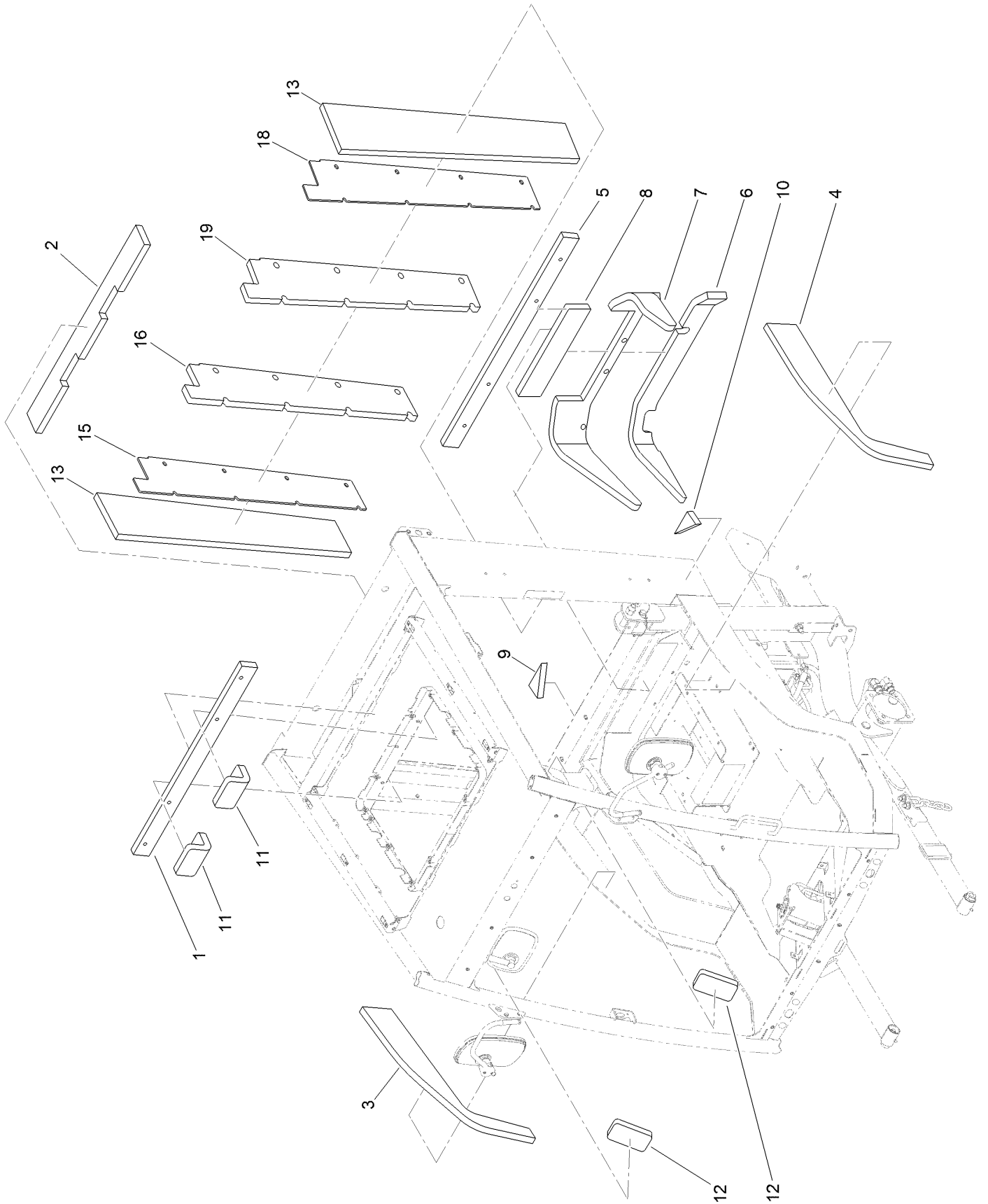
# Sound Reducing Assembly No.1



## Sound Reducing Assembly No.1 (continued)

<i>Ref.</i>	<i>Part Number</i>	<i>Qty.</i>	<i>Description</i>	<i>Ref.</i>	<i>Part Number</i>	<i>Qty.</i>	<i>Description</i>
1	140-6724	1	Pad-Seat Base, Sound	12	144-3234	1	Floor-Pad, Corner
2	140-6725	1	Pad-Seat Base, Sound	16	144-3221	1	Brake-Plug
4	140-6897	4	Plug-ROPS	17	144-3222	1	Brake-Plug
5	140-6898	1	Brake-Plug	18	144-3640	1	Steer-Plug Front
6	140-6899	1	Brake-Plug	19	144-3639	1	Steer-Plug Right
8	144-3224	1	Steer-Plug	20	144-3638	1	Steer-Plug Left
9	144-3227	3	Steering-Pad	21	144-3641	2	Steer-Plug
10	144-3228	1	Steering-Pad	22	144-3637	1	Steer-Plug Bottom
11	144-3233	1	Floor-Pad, Center				

# Sound Reducing Assembly No.2



## Sound Reducing Assembly No.2 (continued)

<i>Ref.</i>	<i>Part Number</i>	<i>Qty.</i>	<i>Description</i>	<i>Ref.</i>	<i>Part Number</i>	<i>Qty.</i>	<i>Description</i>
1	140-6886	1	Rear-Window	11	144-3237	2	ROPS-Pad
2	140-6887	1	Rear-Ceiling	12	144-3238	2	Dash-Pad
3	140-6888	1	Side-Door, RH	13	140-6884	2	Pillar-Pad, Rear
4	140-6889	1	Side-Door, LH	15	140-6737	1	Panel-Sound Dampening, RH
5	140-6890	1	Rear-Window	16	144-3235	1	Pillar-Pad, Rear RH
6	140-6891	1	Panel-Firewall, Sound	18	140-6738	1	Panel-Sound, Dampening LH
7	140-6892	1	Panel-Firewall, Sound	19	144-3236	1	Pillar-Pad, Rear LH
8	140-6893	1	Tile-Firewall, Sound				
9	140-6894	1	Tile-Corner, RH				
10	140-6895	1	Tile-Corner, LH				

# Attachments and Accessories

## For 31990 — Winter Enclosure Groundsmaster 3200 or 3300 Series Traction Unit

<b>Product Name</b>	<b>Model/Part</b>
Led Beacon Kit .....	31996
LED Work Light Kit.....	31993
Road Light Kit (North America) .....	31991
Road Light Kit (EU).....	31992
Accessory Control Kit .....	31994
Storage Box Kit.....	31983
Storage Bag Kit.....	139-2020
SMV Kit.....	139-2339

**Notes:**

**Notes:**

**Notes:**



**Count on it.**