



Count on it.

Parts Catalog

**Ultra Sonic Boom™ Leveling Kit
Multi-Pro 5800 1750 and WM Turf Sprayers
and Workman® 200 Spray System**

Model No. 41237—Serial No. 40000000 and Up



Ordering Replacement Parts

To order replacement parts, please supply the part number, the quantity, and the description of each part desired.

Understanding Reference Numbers

Each identified part in an illustration has a reference number. The reference number for a part also appears in the parts list, along with other information about the part.

This catalog uses two special reference number formats, one to indicate parts in a service assembly and another to indicate the quantity of a given part in an illustration.

Service Assembly Reference Numbers

Parts in service assemblies have reference numbers in the form a:b. The a represents the reference number of the entire service assembly and the b represents a sequential number unique to each part within the service assembly.

For example, a wheel assembly might be identified by reference number 6, the tire by 6:1, the valve by 6:2, and the wheel by 6:3. When you order the assembly identified by reference number 6, you receive all parts identified by reference numbers 6:1, 6:2, and 6:3. However, you may also order any part individually. Reference numbers of this type appear in illustration and in parts lists.

Reference Numbers Indicating Quantity

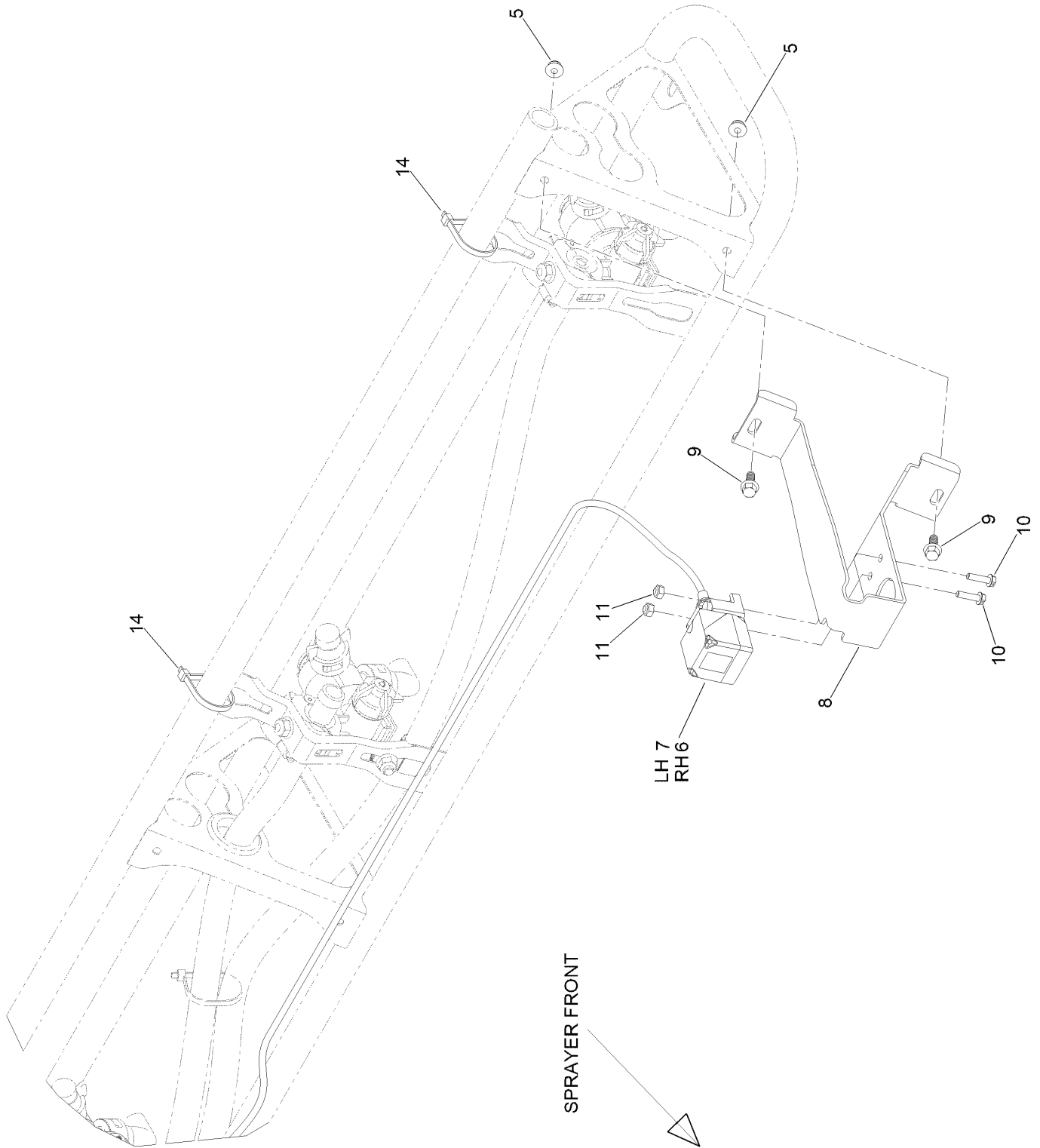
In an illustration, if a reference number indicates more than one part, the reference number has the form nX y. The n represents the quantity of the part, the X is the multiplication symbol, and the y represents the reference number.

For example, in an illustration, the reference number 2X 37 means that two of the parts identified by reference number 37 are indicated.

Contents

Ultra Sonic Boom Leveling Assembly	4
Manifold Assembly No. 130-8234	6
MP5800 Sprayer Assembly	8
MP1750 and MPWM Sprayers Assembly.....	10
MP1750 Sprayer Assembly	12
MPWM Sprayer Assembly	14

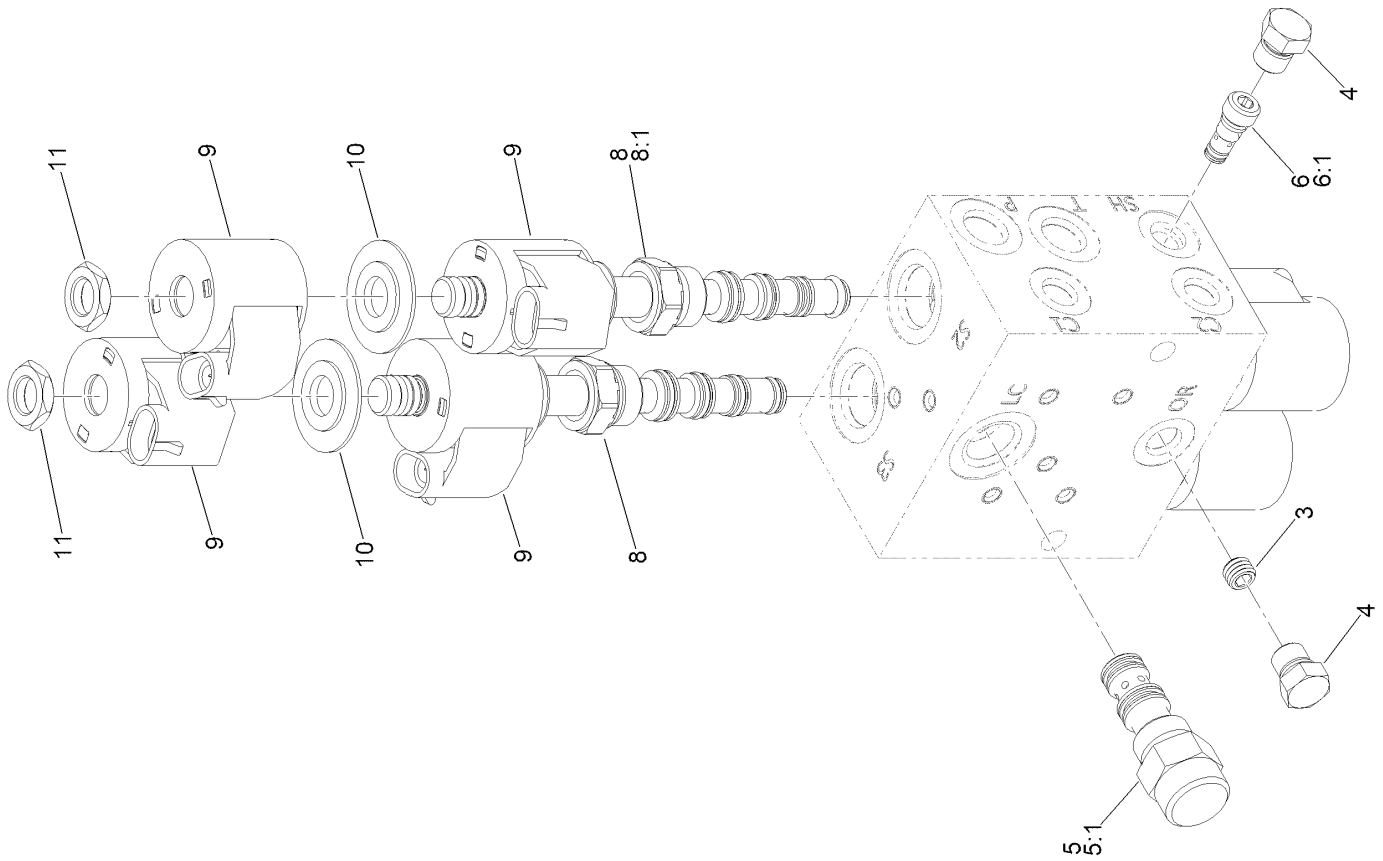
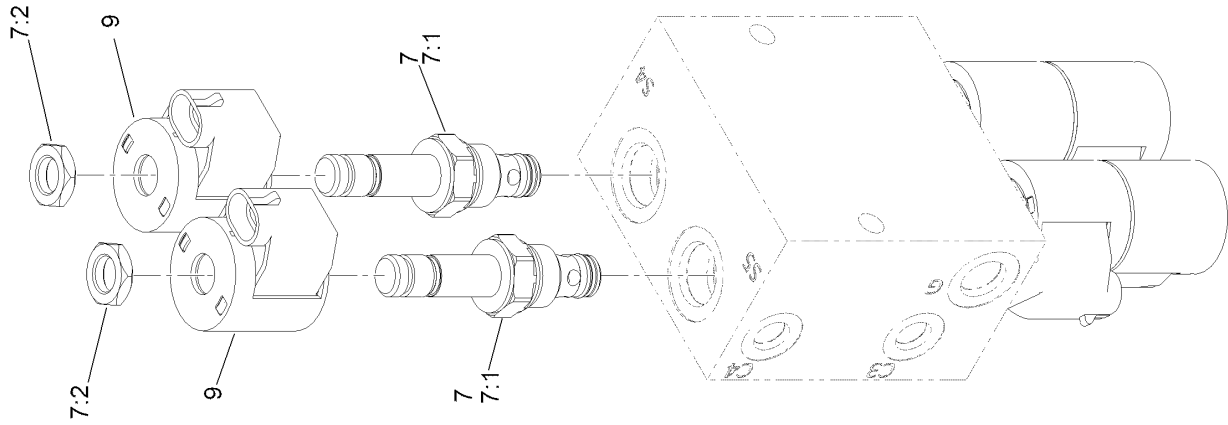
Ultra Sonic Boom Leveling Assembly



Ultra Sonic Boom Leveling Assembly (continued)

<i>Ref.</i>	<i>Part Number</i>	<i>Qty.</i>	<i>Description</i>	<i>Ref.</i>	<i>Part Number</i>	<i>Qty.</i>	<i>Description</i>
5	104-7201	8	Nut-HF, NI	9	99-6810	4	Screw-HHF
6	163-7198	1	Sensor-Sonic Right	10	32105-13	4	Screw-HWH
7	163-7199	1	Sensor-Sonic Left	11	137-3085	4	Nut-Hex
8	164-1029-03	2	Bracket-Ultrasonic Sensor	14	3290-378	10	Tie-Cable

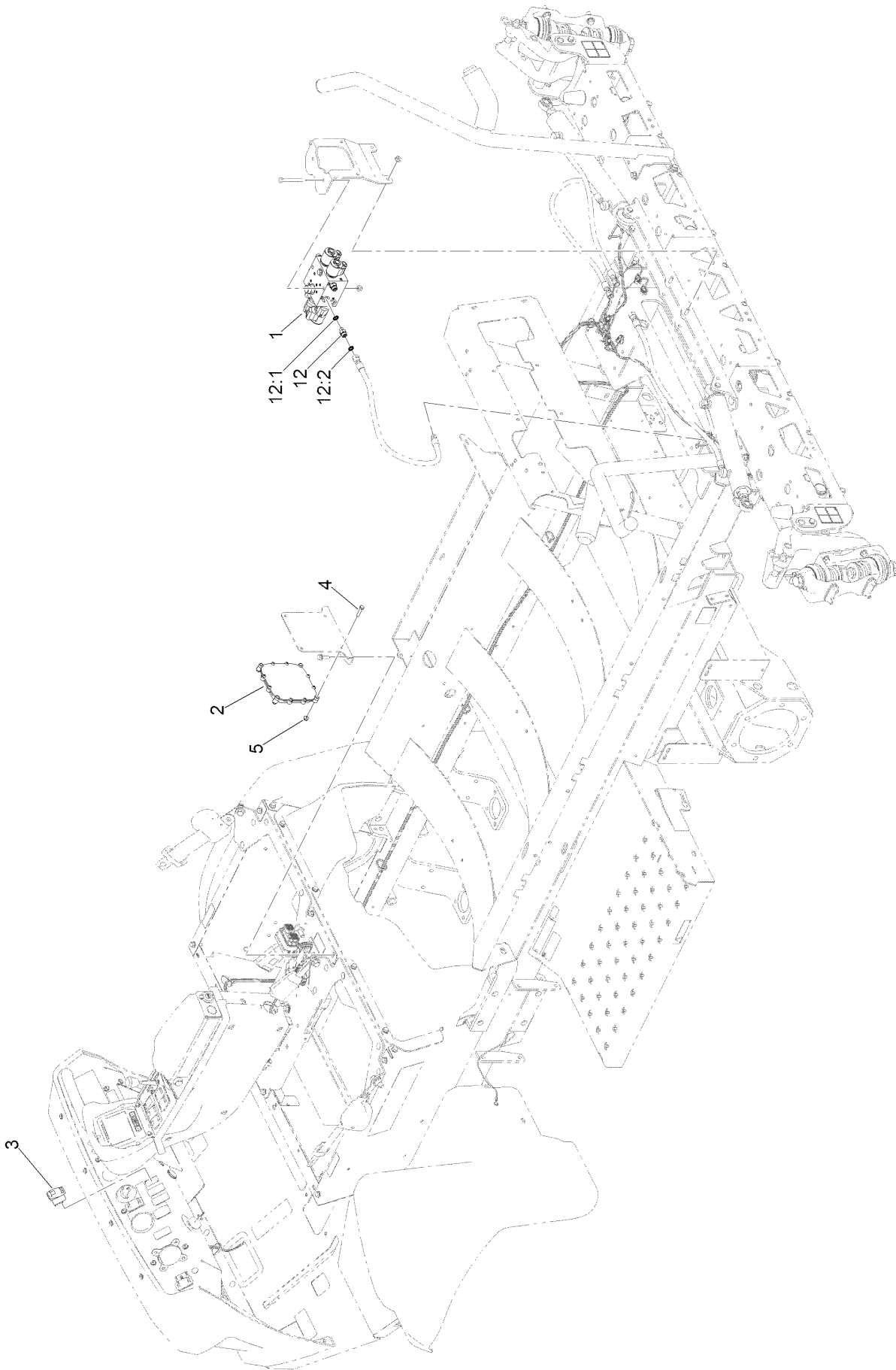
Manifold Assembly No. 130-8234



Manifold Assembly No. 130-8234 (continued)

<i>Ref.</i>	<i>Part Number</i>	<i>Qty.</i>	<i>Description</i>	<i>Ref.</i>	<i>Part Number</i>	<i>Qty.</i>	<i>Description</i>
3	110-5973	1	Orifice-0.030	7:1	105-9156	1	Seal Kit
4	117-0115	2	Plug	7:2	110-2634	1	Nut-Coil
5	110-8770	1	Logic Element	8	130-8235	2	Vavle-Solenoid
5:1	110-8773	1	Seal Kit	8:1	120-5159	1	Seal Kit
6	117-8313	1	Shuttle-Load	9	110-0497	6	Coil-Solenoid
6:1	117-7597	1	Seal Kit	10	120-2586	2	Spacer-Coil
7	112-9206	2	Solenoid Valve ASM	11	110-2634	4	Nut-Coil

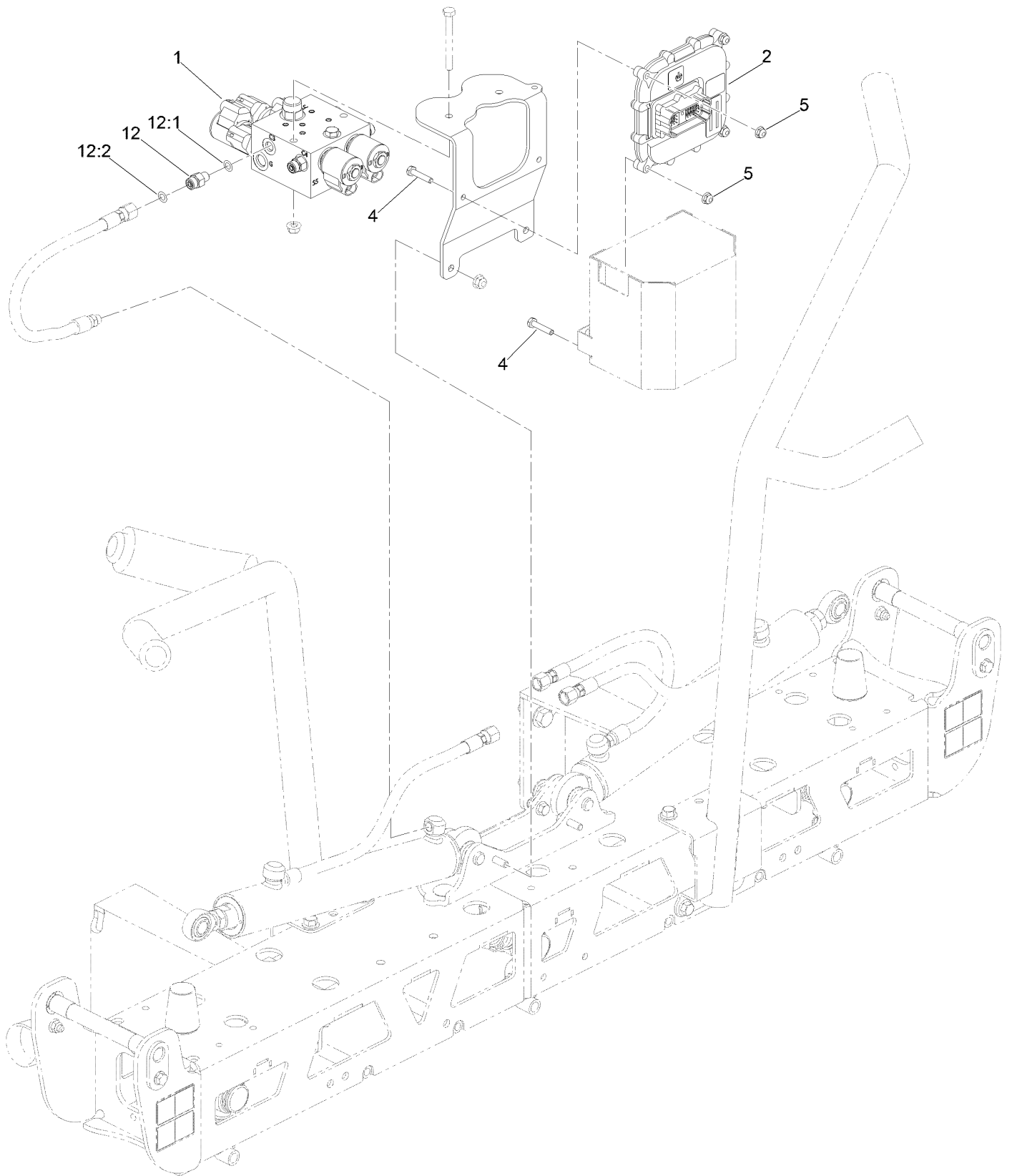
MP5800 Sprayer Assembly



MP5800 Sprayer Assembly (continued)

<i>Ref.</i>	<i>Part Number</i>	<i>Qty.</i>	<i>Description</i>	<i>Ref.</i>	<i>Part Number</i>	<i>Qty.</i>	<i>Description</i>
1	130-8234	1	Manifold ASM	5	104-7201	8	Nut-HF, NI
2	114-3321	1	Controller-Tec	12	340-92	4	Fitting-Straight
3	100-8490	1	Switch-Rocker, On-None-On	12:1	237-78	1	O-Ring
4	321-8	4	Screw-HH	12:2	237-21	1	O-Ring

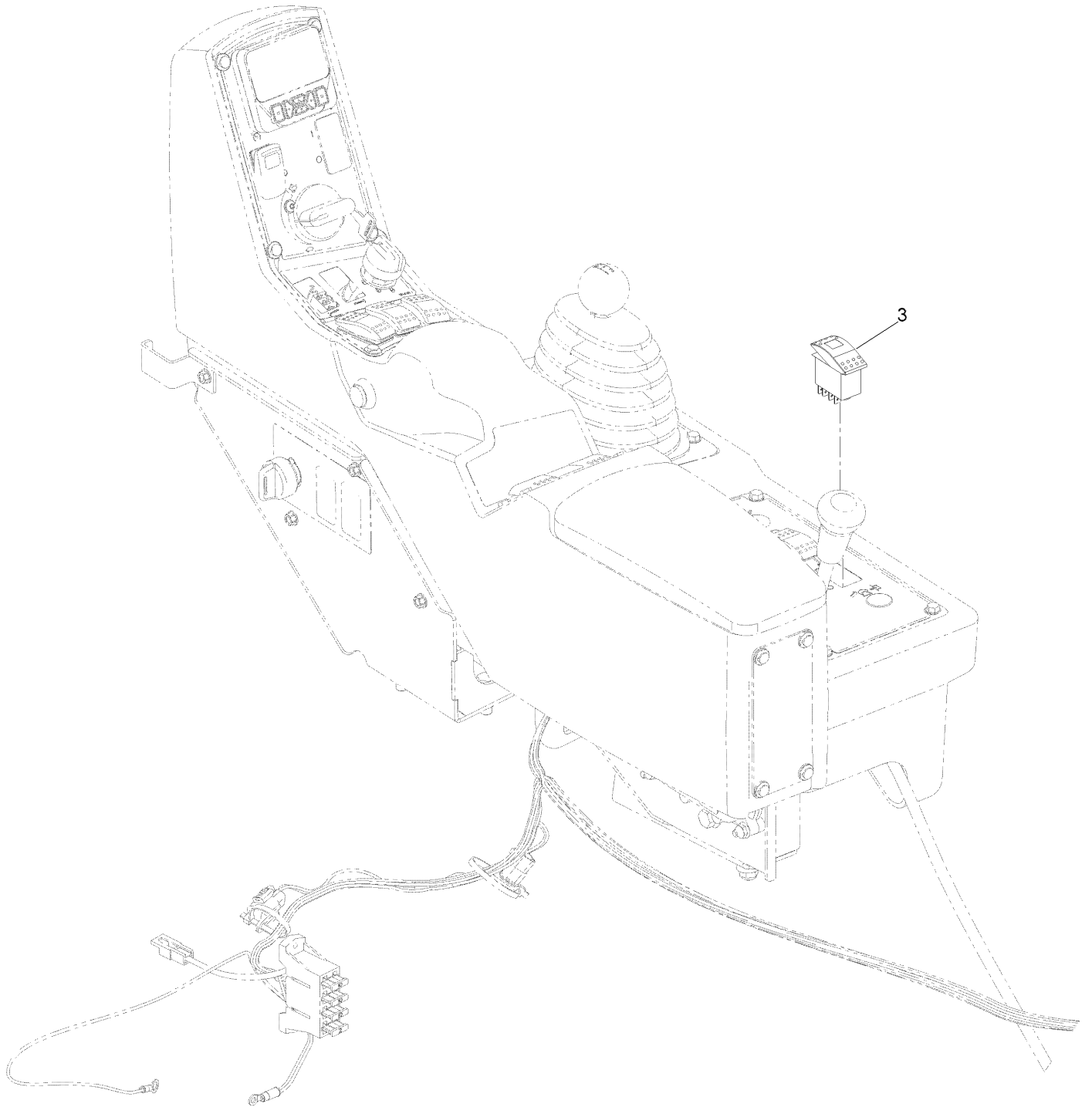
MP1750 and MPWM Sprayers Assembly



MP1750 and MPWM Sprayers Assembly (continued)

<i>Ref.</i>	<i>Part Number</i>	<i>Qty.</i>	<i>Description</i>	<i>Ref.</i>	<i>Part Number</i>	<i>Qty.</i>	<i>Description</i>
1	130-8234	1	Manifold ASM	12	340-92	4	Fitting-Straight
2	114-3321	1	Controller-Tec	12:1	237-78	1	O-Ring
4	321-8	4	Screw-HH	12:2	237-21	1	O-Ring
5	104-7201	8	Nut-HF, NI				

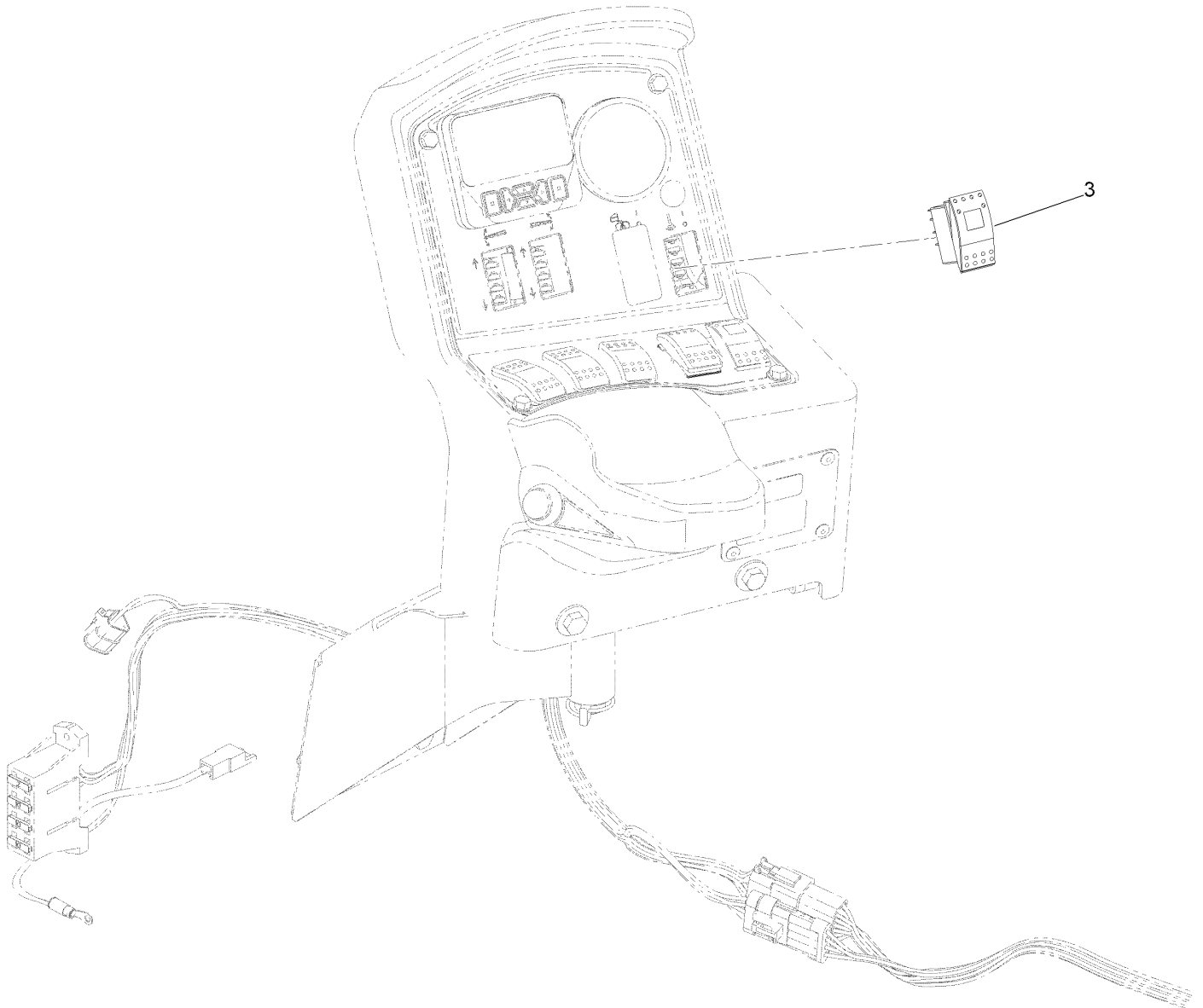
MP1750 Sprayer Assembly



MP1750 Sprayer Assembly (continued)

<i>Ref.</i>	<i>Part Number</i>	<i>Qty.</i>	<i>Description</i>
3	100-8490	1	Switch-Rocker, On-None-On

MPWM Sprayer Assembly



MPWM Sprayer Assembly (continued)

<i>Ref.</i>	<i>Part Number</i>	<i>Qty.</i>	<i>Description</i>
3	100-8490	1	Switch-Rocker, On-None-On



Count on it.