



Count on it.

Parts Catalog

**TimeCutter® MR5075T 127CM
23HP**

Riding Mower

Model No. 74696—Serial No. 420431187 and Up



Ordering Replacement Parts

To order replacement parts, please supply the part number, the quantity, and the description of each part desired.

Understanding Reference Numbers

Each identified part in an illustration has a reference number. The reference number for a part also appears in the parts list, along with other information about the part.

This catalog uses two special reference number formats, one to indicate parts in a service assembly and another to indicate the quantity of a given part in an illustration.

Service Assembly Reference Numbers

Parts in service assemblies have reference numbers in the form a:b. The a represents the reference number of the entire service assembly and the b represents a sequential number unique to each part within the service assembly.

For example, a wheel assembly might be identified by reference number 6, the tire by 6:1, the valve by 6:2, and the wheel by 6:3. When you order the assembly identified by reference number 6, you receive all parts identified by reference numbers 6:1, 6:2, and 6:3. However, you may also order any part individually. Reference numbers of this type appear in illustration and in parts lists.

Reference Numbers Indicating Quantity

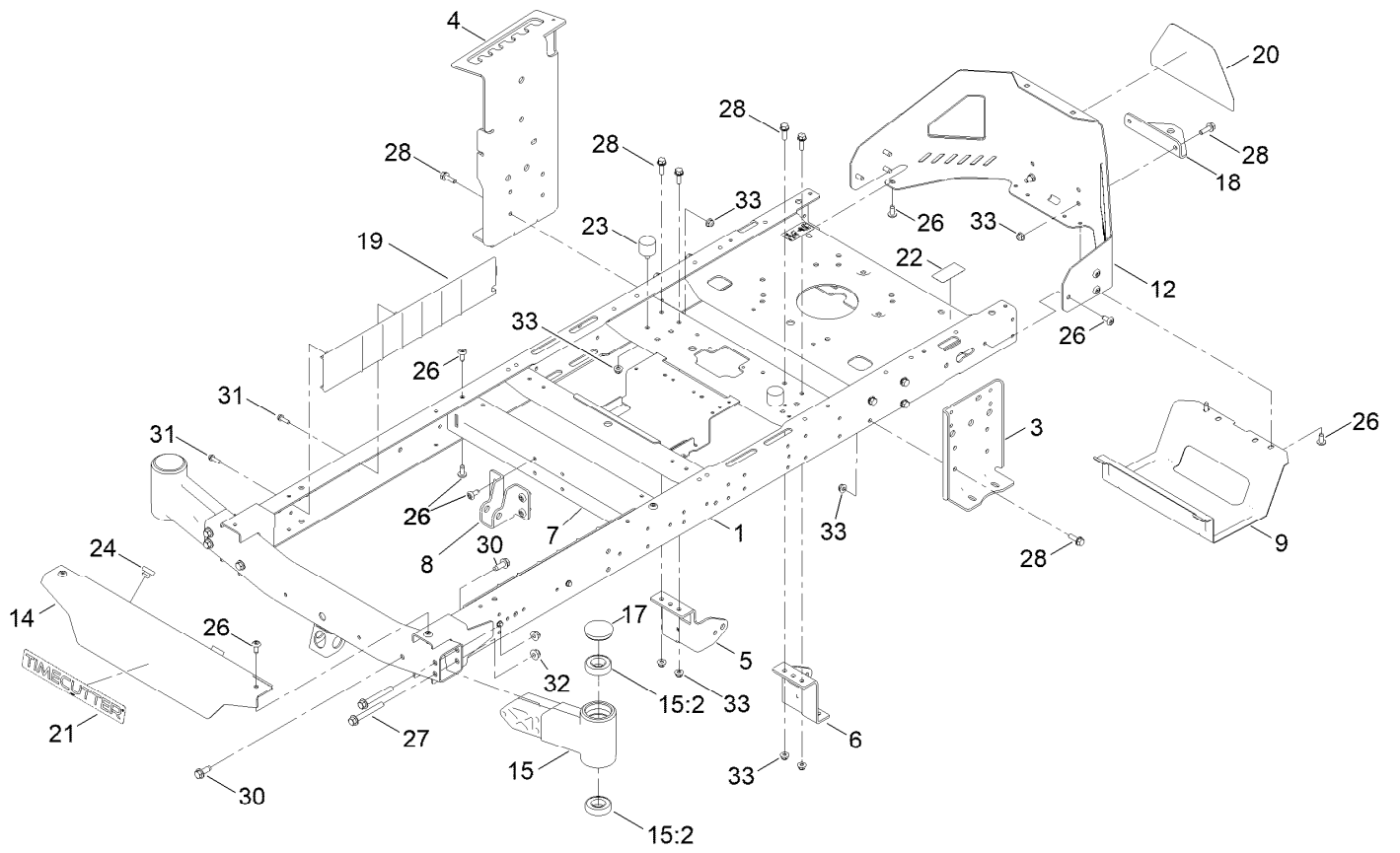
In an illustration, if a reference number indicates more than one part, the reference number has the form nX y. The n represents the quantity of the part, the X is the multiplication symbol, and the y represents the reference number.

For example, in an illustration, the reference number 2X 37 means that two of the parts identified by reference number 37 are indicated.

Contents

Frame Assembly	4
Deck Lift Assembly	6
Caster Wheel Assembly	8
Traction Drive Assembly	10
LH Transaxle Assembly No. 139-7460	12
RH Transaxle Assembly No. 139-7461	14
Brake Assembly	16
Rear Tire Assembly	18
Motion Control Assembly	20
Engine and Muffler Assembly	22
Fuel Pod Assembly	24
Electrical Assembly	26
50 Inch Deck and Decal Assembly	28
Model Specific Decal Assembly	30
Seat Assembly	32
Seat Assembly No. 140-8303	34
Clutch Assembly	36
Attachments and Accessories	38

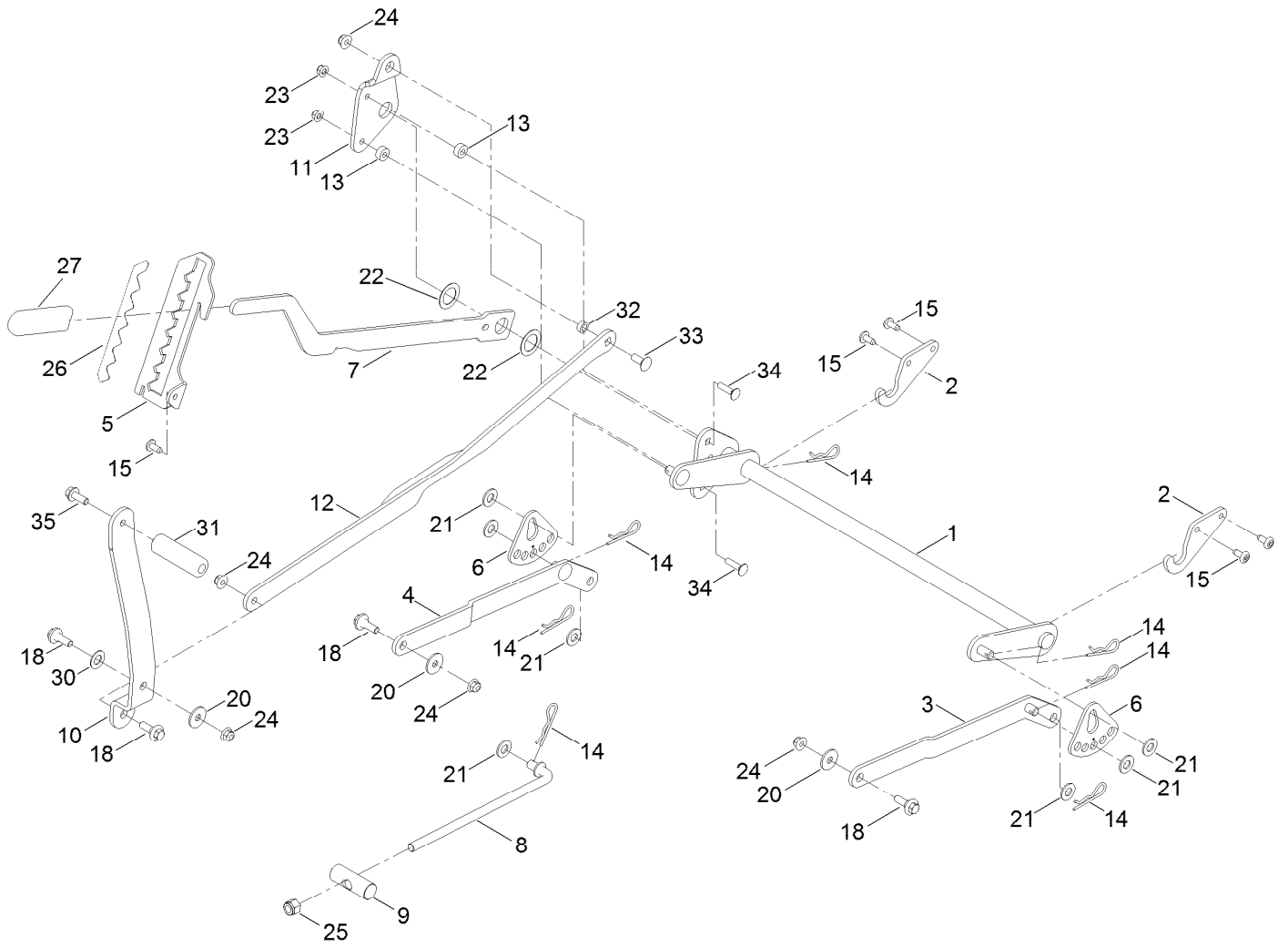
Frame Assembly



Frame Assembly (continued)

<i>Ref.</i>	<i>Part Number</i>	<i>Qty.</i>	<i>Description</i>	<i>Ref.</i>	<i>Part Number</i>	<i>Qty.</i>	<i>Description</i>
1	137-9820-01	1	Frame Assembly	18	117-1232-03	1	Bracket-Hitch
3	138-7520-01	1	Plate-Mount, Hydro	19	138-7516	2	Guard-Rail
4	139-2352-01	1	Plate-Mount Hydro, RH	20	139-5890	1	Decal-Timecutter
5	137-7020-01	1	Mount-Hydro, Front (Right)	21	139-2387	1	Decal-Timecutter
6	139-3211-01	1	Mount-Hydro, Front (Left)	22	121-2989	2	Decal-Bypass
7	138-2527-01	1	Brace-Cross, Lower	23	137-4803	2	Bumper-Rubber
8	139-3260-01	1	Bracket-Mount Damper, Lower	24	140-3460	2	Bumper-Rubber
9	138-0867-03	1	Guard-Muffler	26	138-9753	20	Screw
12	138-9820-03	1	Guard-Engine	27	139-2429	4	Screw-HHF
14	138-7596-01	1	Footrest	28	139-2596	14	Screw-HHF
15	163-6030	2	Axle-Stub [red]	30	139-2428	4	Screw-HWH
15:2	109-3678	2	Bearing-Ball	31	137-3099	4	Screw-Plastite, HWH
17	138-7200	2	Cap-Grease	32	139-2430	4	Nut-HF, NI
				33	119-4041	16	Nut-HF

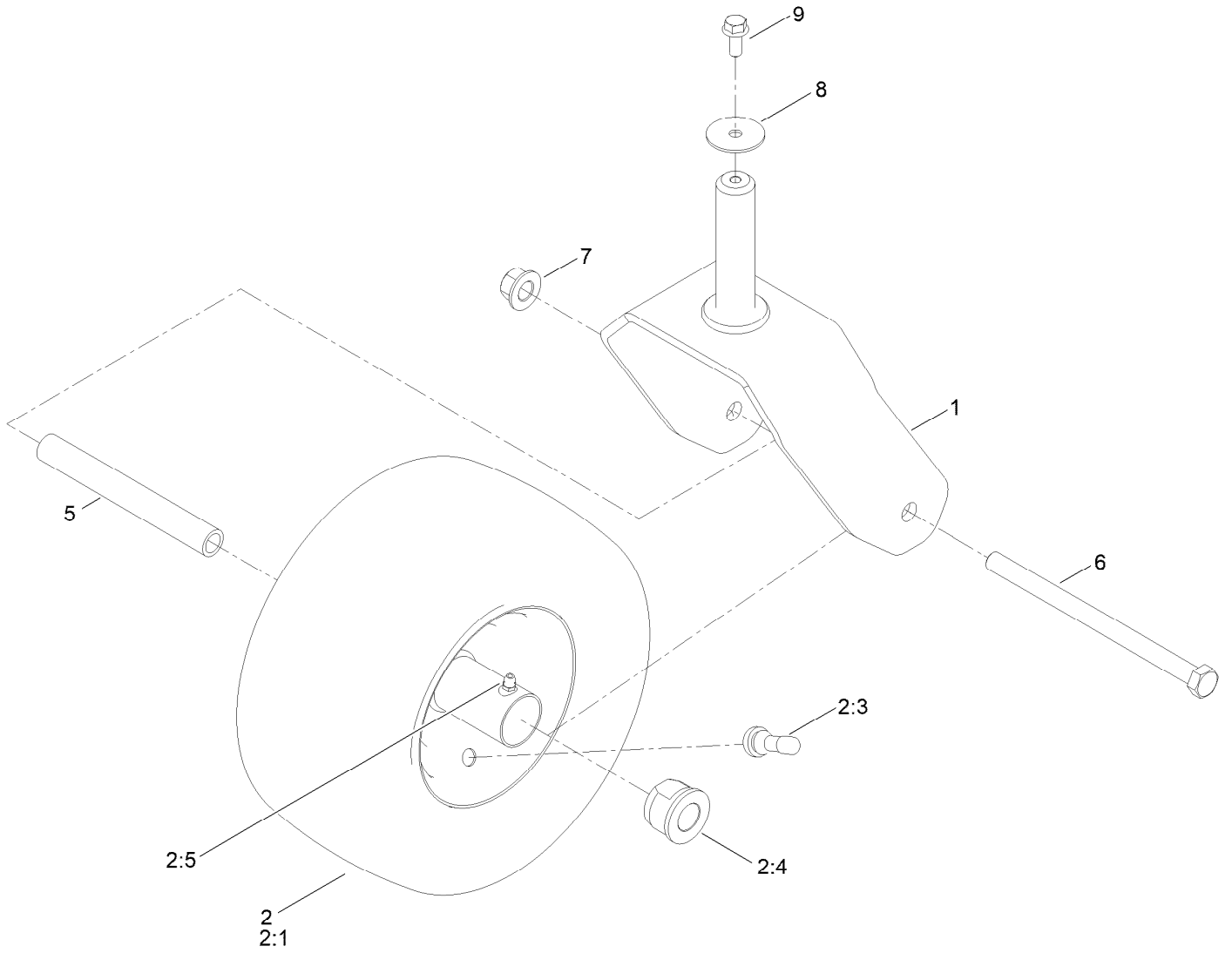
Deck Lift Assembly



Deck Lift Assembly (continued)

<i>Ref.</i>	<i>Part Number</i>	<i>Qty.</i>	<i>Description</i>	<i>Ref.</i>	<i>Part Number</i>	<i>Qty.</i>	<i>Description</i>
1	137-7093-03	1	Deck Lift ASM	18	137-9847	4	Screw-Shoulder
2	138-6021	2	Bracket-Pivot, Decklift	20	140-5063	3	Washer-Hardened, Cz
3	137-9844	1	LH Arm ASM	21	139-2611	7	Washer-Flat
4	137-9846	1	RH Arm ASM	22	63-2290	2	Washer-Thrust
5	139-2350-01	1	Bracket-HOC	23	119-4041	2	Nut-HF
6	138-2564	2	Plate-Adjustment, HOC	24	119-4042	5	Nut-HF, NI
7	137-7087-03	1	Lever-Lift	25	139-1725	1	Nut-Hex
8	138-6050	1	Rod-Mount, Deck	26	140-2748	1	Decal-HOC
9	119-8810	1	Pin-Pivot	27	1-633268	1	Grip-Lever
10	138-2549-03	1	Pedal-Lift	30	120-2273	1	Washer-Flat
11	137-7086	1	Plate-Footlift	31	139-7452	1	Pedal-Foot Lift
12	140-2746-03	1	Link ASM	32	140-2093	1	Spacer
13	140-3461	2	Spacer	33	139-2590	1	Screw-CARR
14	139-2562	7	Pin-Hair	34	139-1702	2	Bolt-Carriage
15	138-9753	5	Screw	35	139-2597	1	Screw-HHF

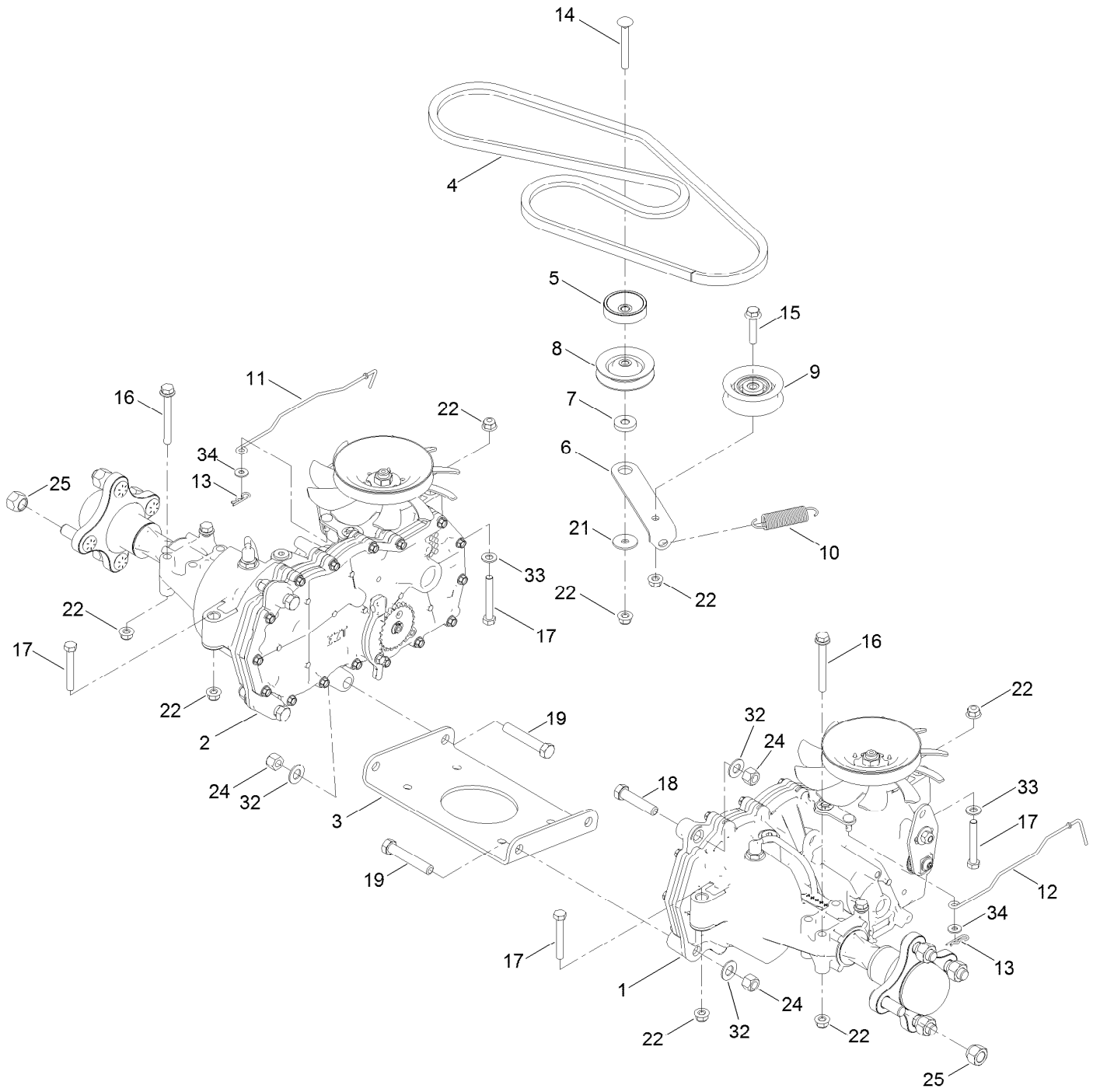
Caster Wheel Assembly



Caster Wheel Assembly (continued)

<i>Ref.</i>	<i>Part Number</i>	<i>Qty.</i>	<i>Description</i>	<i>Ref.</i>	<i>Part Number</i>	<i>Qty.</i>	<i>Description</i>
1	138-9839-01	2	Fork ASM	5	138-9803	2	Spacer-Spanner
2	139-5843	2	Tire ASM	6	139-2608	2	Screw-HH
2:1	140-0374	1	Tire	7	139-1689	2	Nut-HF
2:3	232-27	1	Stem-Valve	8	115-1151	2	Washer-Flat
2:4	114-1640	2	Bushing-Flange	9	139-2598	2	Screw-HHF
2:5	302-5	1	Fitting-Grease				

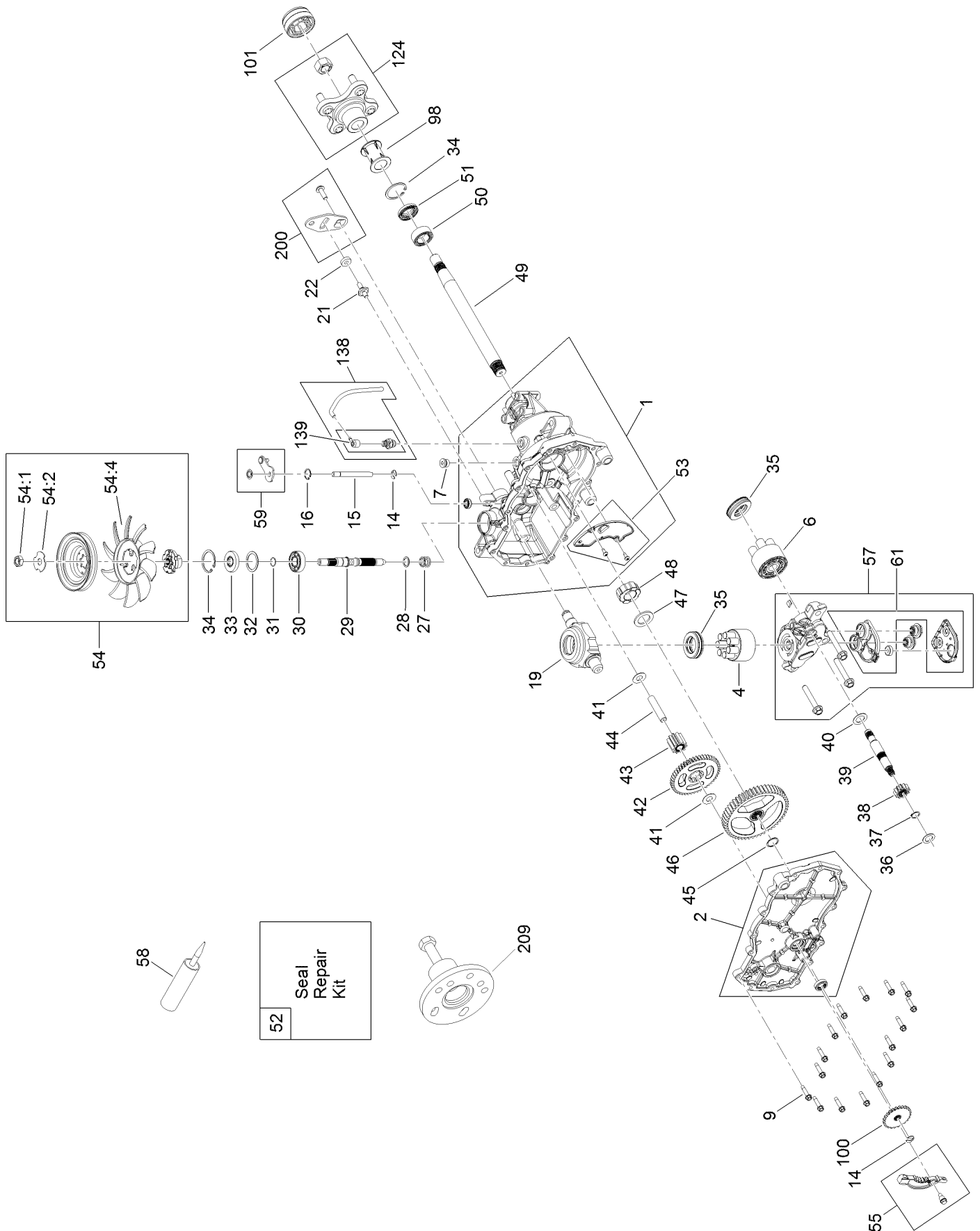
Traction Drive Assembly



Traction Drive Assembly (continued)

<i>Ref.</i>	<i>Part Number</i>	<i>Qty.</i>	<i>Description</i>	<i>Ref.</i>	<i>Part Number</i>	<i>Qty.</i>	<i>Description</i>
1	139-7460	1	LH Hydro Transaxle ASM	14	139-2588	1	Screw-CARR
2	139-7461	1	RH Hydro Transaxle ASM	15	140-5024	1	Screw-HHF
3	138-2571-03	1	Crossplate-Hydro	16	138-7590	4	Screw-HHF
4	139-2399	1	V-Belt	17	120-9738	4	Screw-HH
5	138-9809	1	Spacer	18	139-2605	2	Screw-HH
6	138-7276	1	Arm-Idler	19	139-2603	4	Screw-HH
7	138-7277	1	Spacer-Arm, Idler	21	5-4460	1	Washer-Pivot
8	68-0030	1	Idler	22	119-4041	10	Nut-HF
9	138-7597	1	Pulley-Idler, Flat	24	119-4039	6	Nut-Hex
10	137-7040	1	Spring-Return, Pedal	25	139-2564	8	Nut-Lug
11	138-7245	1	Rod-Bypass, RH	32	139-2610	6	Washer-Flat
12	138-7243	1	Rod-Bypass, LH	33	120-9683	2	Washer-Plain
13	137-3083	2	Pin-Hair	34	119-8952	2	Washer-Spcl

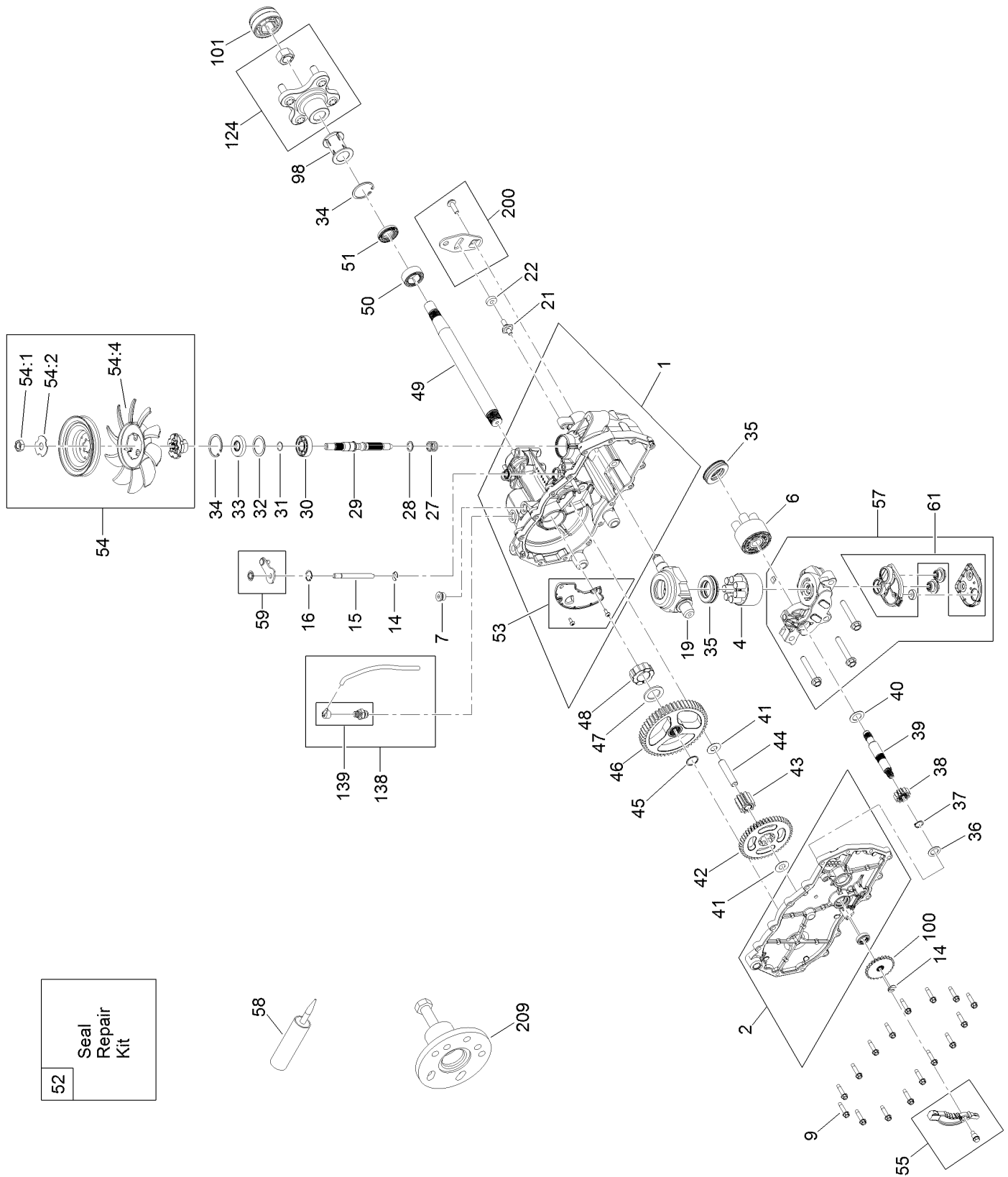
LH Transaxle Assembly No. 139-7460



LH Transaxle Assembly No. 139-7460 (continued)

<i>Ref.</i>	<i>Part Number</i>	<i>Qty.</i>	<i>Description</i>	<i>Ref.</i>	<i>Part Number</i>	<i>Qty.</i>	<i>Description</i>
1	106-8695	1	Main Housing ASM	44	104-5329	1	Pin-Jackshaft
2	106-8696	1	Side ASM	45	112-9854	1	Ring-Spiral, Retaining
4	110-8561	1	Pump Block ASM	46	112-9855	1	Gear-52T, Bull
6	103-2666	1	Cylinder Block Kit	47	112-9856	1	Washer
7	104-2189	1	Plug-Thread, Straight	48	112-9857	1	Bearing-Sleeve
9	104-5305	16	Screw-HHF	49	120-7104	1	Shaft-Axle
14	106-8677	1	Ring-Retaining, External	50	112-9859	1	Bushing-Axle
15	106-8678	1	Rod-Bypass	51	112-9860	1	Seal-Lip
16	106-8679	1	Ring-Retaining, Internal	52	106-8686	1	Seal Kit
19	104-5304	1	Swashplate-Trunnion	53	106-8697	1	Expansion Plate Kit
21	104-2116	1	Stud	54	135-7349	1	Fan And Pulley Kit
22	112-9853	1	Puck-Friction	54:1	116-9714	1	Nut-HJ
27	94-1936	1	Spring-Block	54:2	116-9708	1	Washer-Slotted
28	120-5538	1	Washer	54:4	135-7364	1	Fan 7.0 X 10 Blade
29	104-5306	1	Shaft-Input	55	106-8688	1	Brake Arm Kit
30	104-5311	1	Bearing-Ball	57	112-9861	1	Center Section Filter Kit
31	104-5307	1	Ring-Retaining	58	104-2147	1	Sealant, Silicone - Non-Flammable
32	104-5308	1	Spacer				
33	104-5310	1	Seal-Lip	59	120-5549	1	Bypass Kit
34	104-5309	2	Ring-Retaining	61	114-1634	1	Filter Kit
35	94-6922	2	Bearing-Thrust	98	120-7109	1	Tube-Axle
36	104-5339	1	Washer-Flat	100	106-8694	1	Disc-Brake, Cog
37	104-5340	1	Ring-Retaining	101	115-5057	1	Cover-Nut, Axle
38	104-5316	1	Gear-Pinnion, 13T	124	109-5939	1	Hub Kit
39	106-8683	1	Shaft-Motor	138	112-9866	1	Breather Kit
40	104-5360	1	Washer	139	114-1635	1	Breather ASM
41	119-5541	2	*obs* Washer	200	117-5362	1	Control Arm Kit
42	104-5317	1	Gear-10T/48T	209	114-8467	1	Puller-Hub, 4 Bolt
43	104-5318	1	Gear-Jackshaft, 10T				

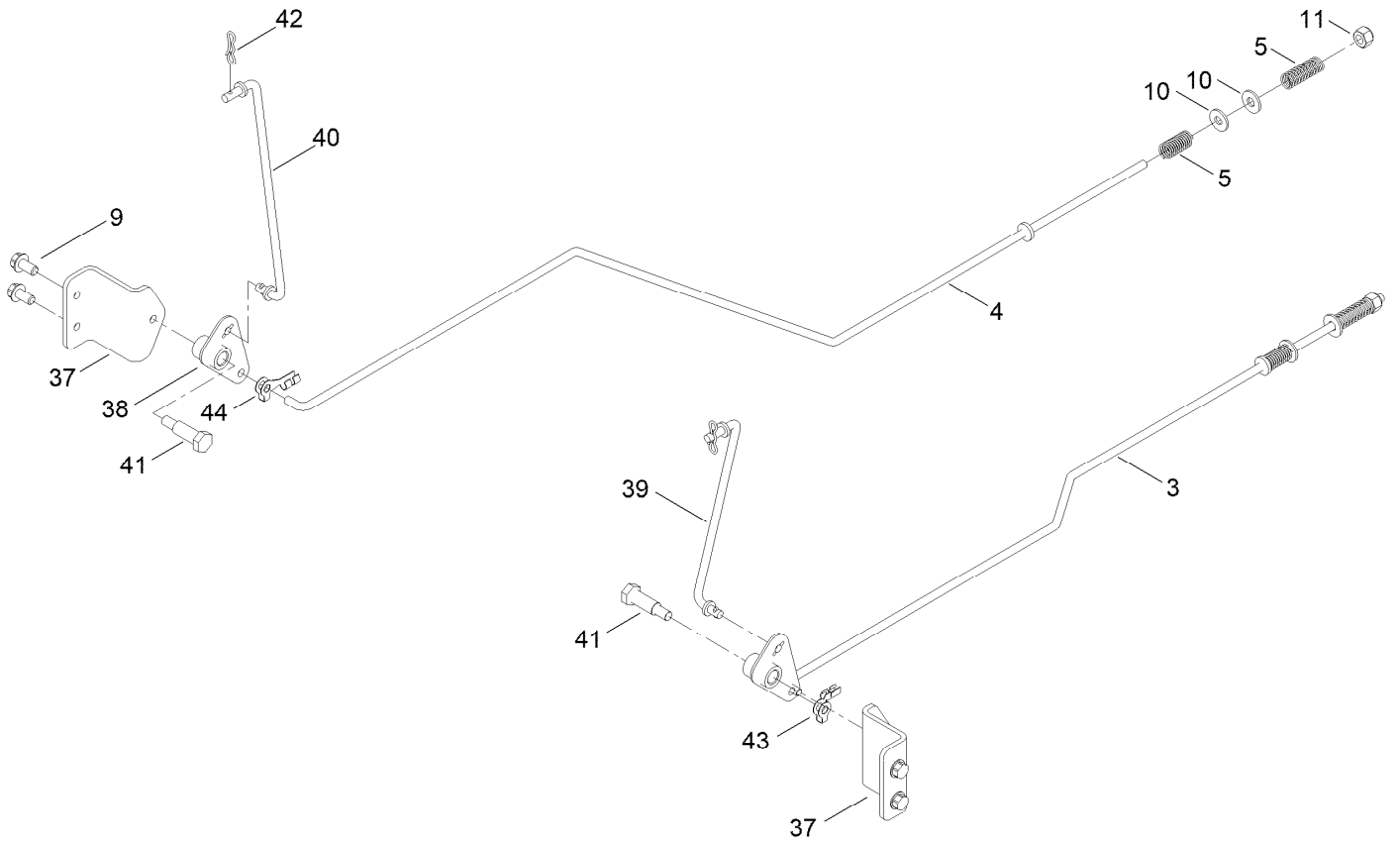
RH Transaxle Assembly No. 139-7461



RH Transaxle Assembly No. 139-7461 (continued)

<i>Ref.</i>	<i>Part Number</i>	<i>Qty.</i>	<i>Description</i>	<i>Ref.</i>	<i>Part Number</i>	<i>Qty.</i>	<i>Description</i>
1	106-8674	1	Main Housing ASM	44	104-5329	1	Pin-Jackshaft
2	106-8675	1	Side ASM	45	112-9854	1	Ring-Spiral, Retaining
4	110-8561	1	Pump Block ASM	46	112-9855	1	Gear-52T, Bull
6	103-2666	1	Cylinder Block Kit	47	112-9856	1	Washer
7	104-2189	1	Plug-Thread, Straight	48	112-9857	1	Bearing-Sleeve
9	104-5305	16	Screw-HHF	49	120-7104	1	Shaft-Axle
14	106-8677	1	Ring-Retaining, External	50	112-9859	1	Bushing-Axle
15	106-8678	1	Rod-Bypass	51	112-9860	1	Seal-Lip
16	106-8679	1	Ring-Retaining, Internal	52	106-8686	1	Seal Kit
19	104-5304	1	Swashplate-Trunnion	53	106-8697	1	Expansion Plate Kit
21	104-2116	1	Stud	54	135-7349	1	Fan And Pulley Kit
22	112-9853	1	Puck-Friction	54:1	116-9714	1	Nut-HJ
27	94-1936	1	Spring-Block	54:2	116-9708	1	Washer-Slotted
28	120-5538	1	Washer	54:4	135-7364	1	Fan 7.0 X 10 Blade
29	104-5306	1	Shaft-Input	55	106-8688	1	Brake Arm Kit
30	104-5311	1	Bearing-Ball	57	112-9862	1	Center Section Filter Kit
31	104-5307	1	Ring-Retaining	58	104-2147	1	Sealant, Silicone - Non-Flammable
32	104-5308	1	Spacer				
33	104-5310	1	Seal-Lip	59	107-2489	1	Bypass Arm Kit
34	104-5309	2	Ring-Retaining	61	114-1634	1	Filter Kit
35	94-6922	2	Bearing-Thrust	98	120-7109	1	Tube-Axle
36	104-5339	1	Washer-Flat	100	106-8694	1	Disc-Brake, Cog
37	104-5340	1	Ring-Retaining	101	115-5057	1	Cover-Nut, Axle
38	104-5316	1	Gear-Pinnion, 13T	124	109-5939	1	Hub Kit
39	106-8683	1	Shaft-Motor	138	112-9866	1	Breather Kit
40	104-5360	1	Washer	139	114-1635	1	Breather ASM
41	119-5541	2	*obs* Washer	200	117-5362	1	Control Arm Kit
42	104-5317	1	Gear-10T/48T	209	114-8467	1	Puller-Hub, 4 Bolt
43	104-5318	1	Gear-Jackshaft, 10T				

Brake Assembly

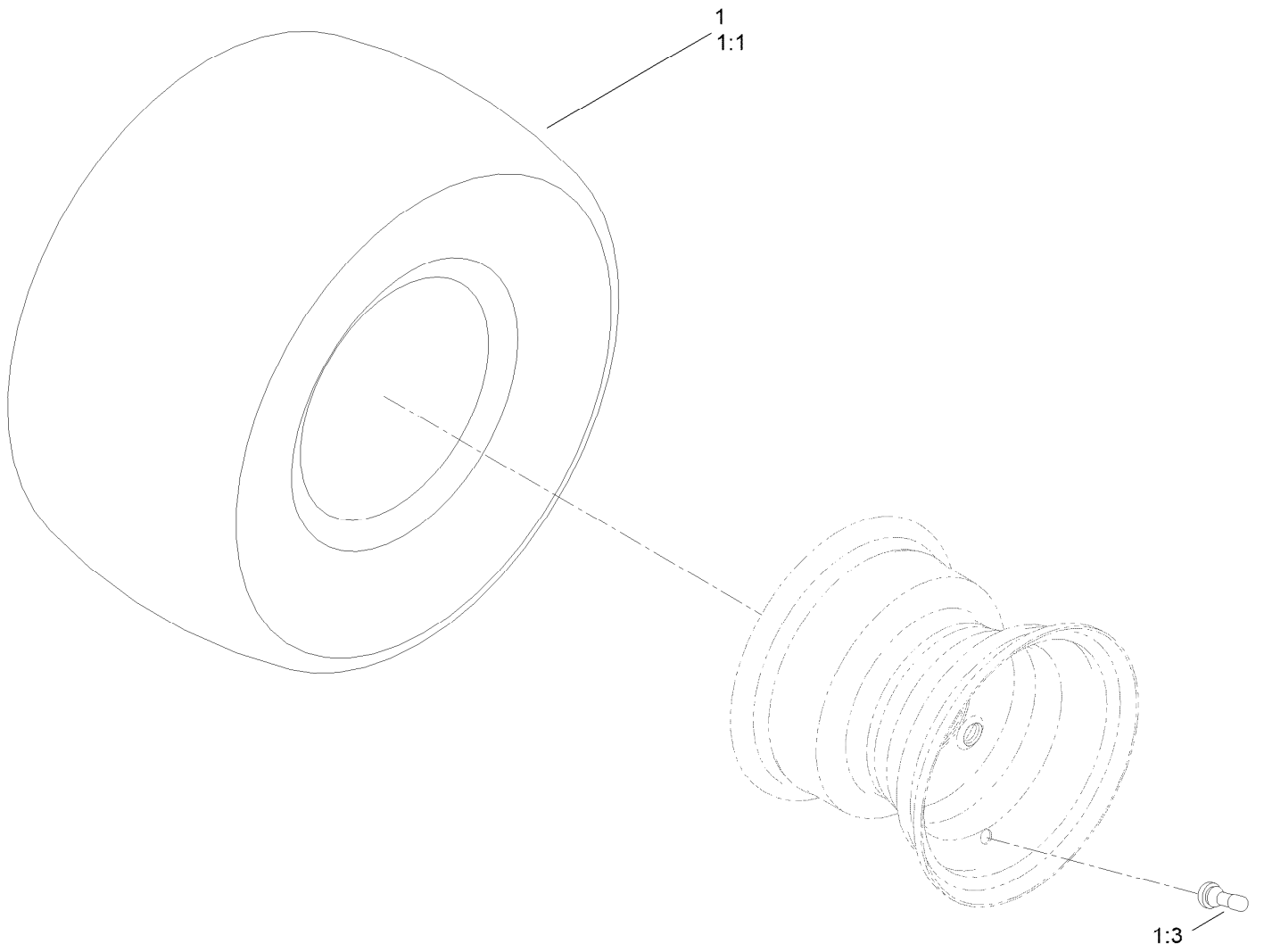


Brake Assembly (continued)

<i>Ref.</i>	<i>Part Number</i>	<i>Qty.</i>	<i>Description</i>	<i>Ref.</i>	<i>Part Number</i>	<i>Qty.</i>	<i>Description</i>
3	161-6561	1	Rod-Brake, LH	38	161-6420	2	Bellcrank
4	161-6562	1	Rod-Brake, RH	39	161-6563	1	Link-Brake, LH
5	117-1169	4	Spring-Compression	40	161-6564	1	Link-Brake, RH
7	137-3083	2	Pin-Hair ●	41	145-6364	2	Bolt-Shoulder
9	32144-4	4	Screw-HWH	42	119-1414	2	Pin-Cotter, Locking
10	119-8952	4	Washer-Spcl	43	144-1816	1	Clip-Rod, LH (7L, 1/4In)
11	137-3088	2	Nut-Hex	44	144-1815	1	Clip-Rod, RH (7R, 1/4In)
37	163-6018	2	Mount-Bellcrank, Brake				

● Not illustrated

Rear Tire Assembly

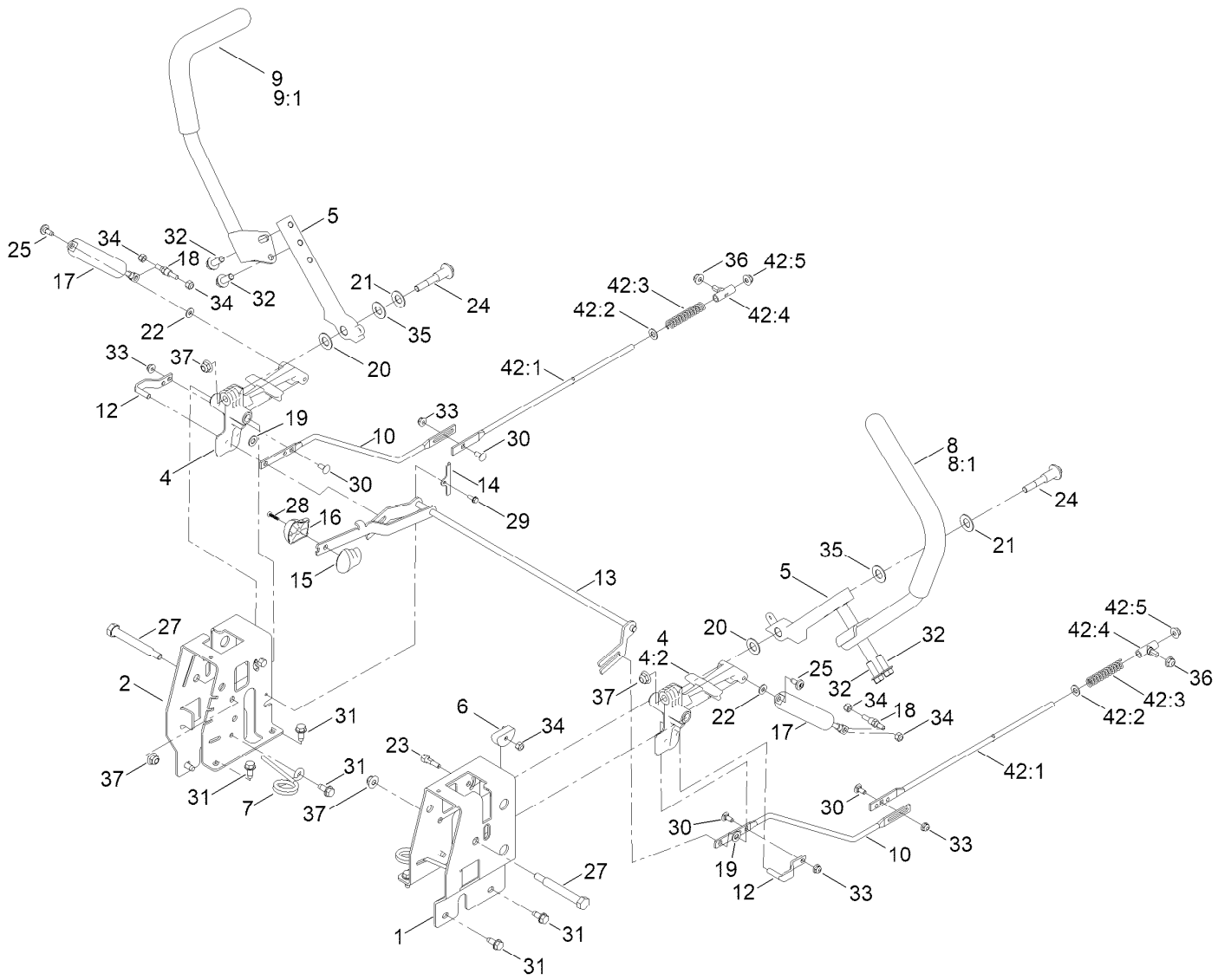


Rear Tire Assembly (continued)

<i>Ref.</i>	<i>Part Number</i>	<i>Qty.</i>	<i>Description</i>	<i>Ref.</i>	<i>Part Number</i>	<i>Qty.</i>	<i>Description</i>
1	139-5847	2	Tire ASM	1:3	232-27	1	Stem-Valve
1:1	120-6451	1	Tire	1:99	232-37	1	Tube ●

● Not illustrated

Motion Control Assembly



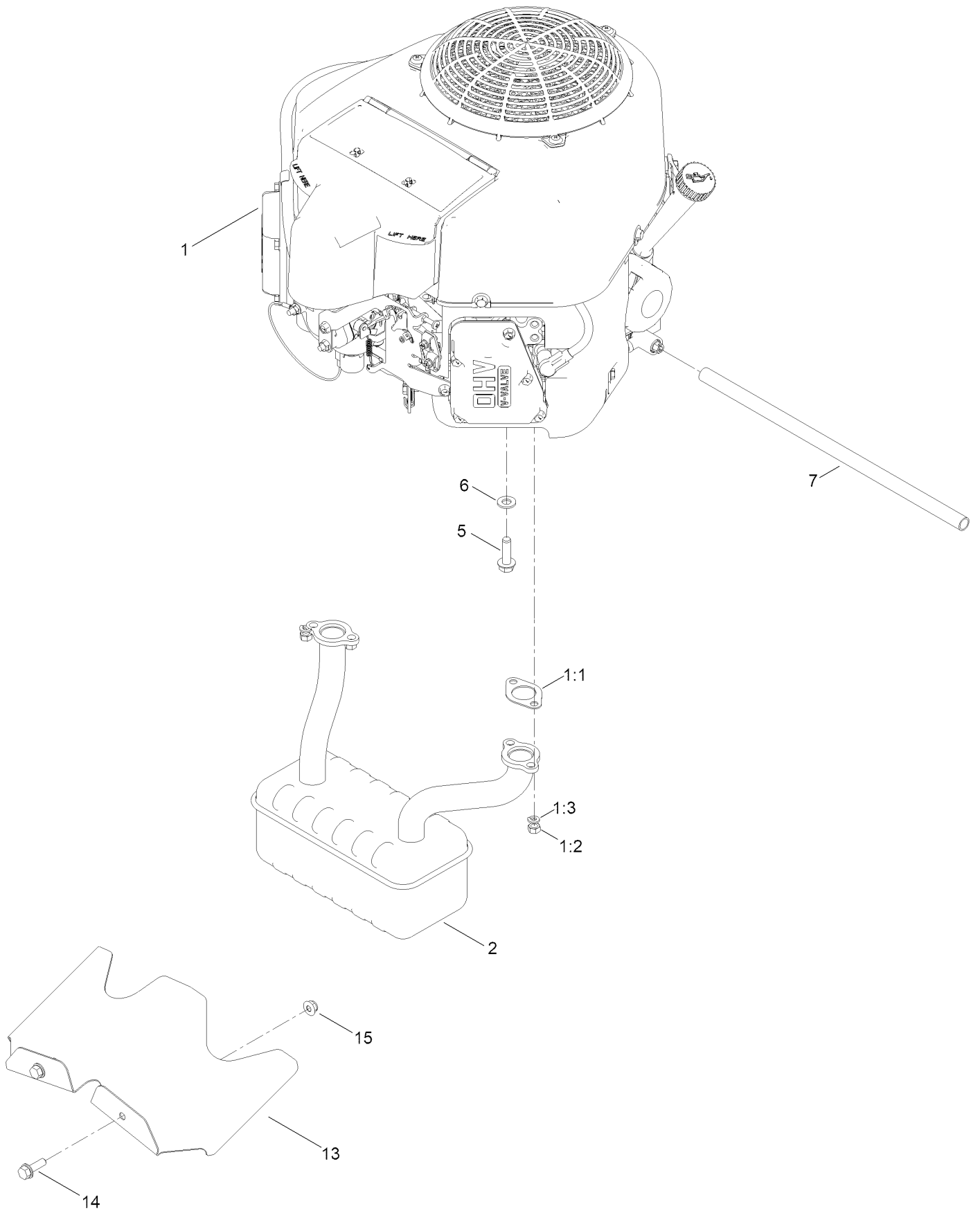
Motion Control Assembly (continued)

<i>Ref.</i>	<i>Part Number</i>	<i>Qty.</i>	<i>Description</i>	<i>Ref.</i>	<i>Part Number</i>	<i>Qty.</i>	<i>Description</i>
1	163-6075-03	1	Plate-Control Box, LH	22	119-8952	2	Washer-Spcl
2	163-6076-03	1	Plate-Control Box, RH	23	139-5811	2	Bolt-Pivot, Eccentric
4	119-3470	2	Actuator Arm ASM	24	139-2556	2	Bolt-Pivot
4:2	256-156	2	Bushing-Flange	25	120-7950	2	Screw-Torx
5	163-3142-05	2	Arm-Control	27	115-5099	2	Bolt-Pivot
6	139-5803	2	Eccentric	28	94-4496	1	Screw-PPH
7	138-7539	2	Spring-Torsion	29	139-1713	2	Screw-Thd Roll
8	133-7055	1	Handle-Control, LH	30	100-1445	4	Bolt-CARR
8:1	121-0726	1	Grip	31	138-9753	10	Screw
9	133-7057	1	Handle-Control, RH	32	139-2597	4	Screw-HHF
9:1	121-0726	1	Grip	33	137-3005	4	Nut-HF
10	138-2580	2	Rod-Hydro, Front	34	137-3088	6	Nut-Hex
12	121-1753	2	Pin-Rod, Hydro	35	117-1240	2	Washer
13	138-9750	1	Speed Control ASM	36	119-4041	2	Nut-HF
14	138-7541	2	Plate-Retainer	37	119-4042	4	Nut-HF, NI
15	132-9368	1	Knob-RH	42		2	Rod Hydro ASM ●■
16	132-9369	1	Knob-LH	42:1	144-1818	1	Rod-Hydro, Rear
17	132-6853	2	Damper-Non Cavitating	42:2	120-9683	1	Washer-Plain
18	138-7215	2	Stud-Damper	42:3	138-7252	1	Spring-Compression
19	93-6079	2	Spacer-Nylon	42:4	138-7218	1	Mount-Rod, Hydro
20	120-2273	2	Washer-Flat	42:5	119-4041	1	Nut-HF
21	119-8925	2	Washer-Belleville				

● Not illustrated

■ Not serviced separately

Engine and Muffler Assembly



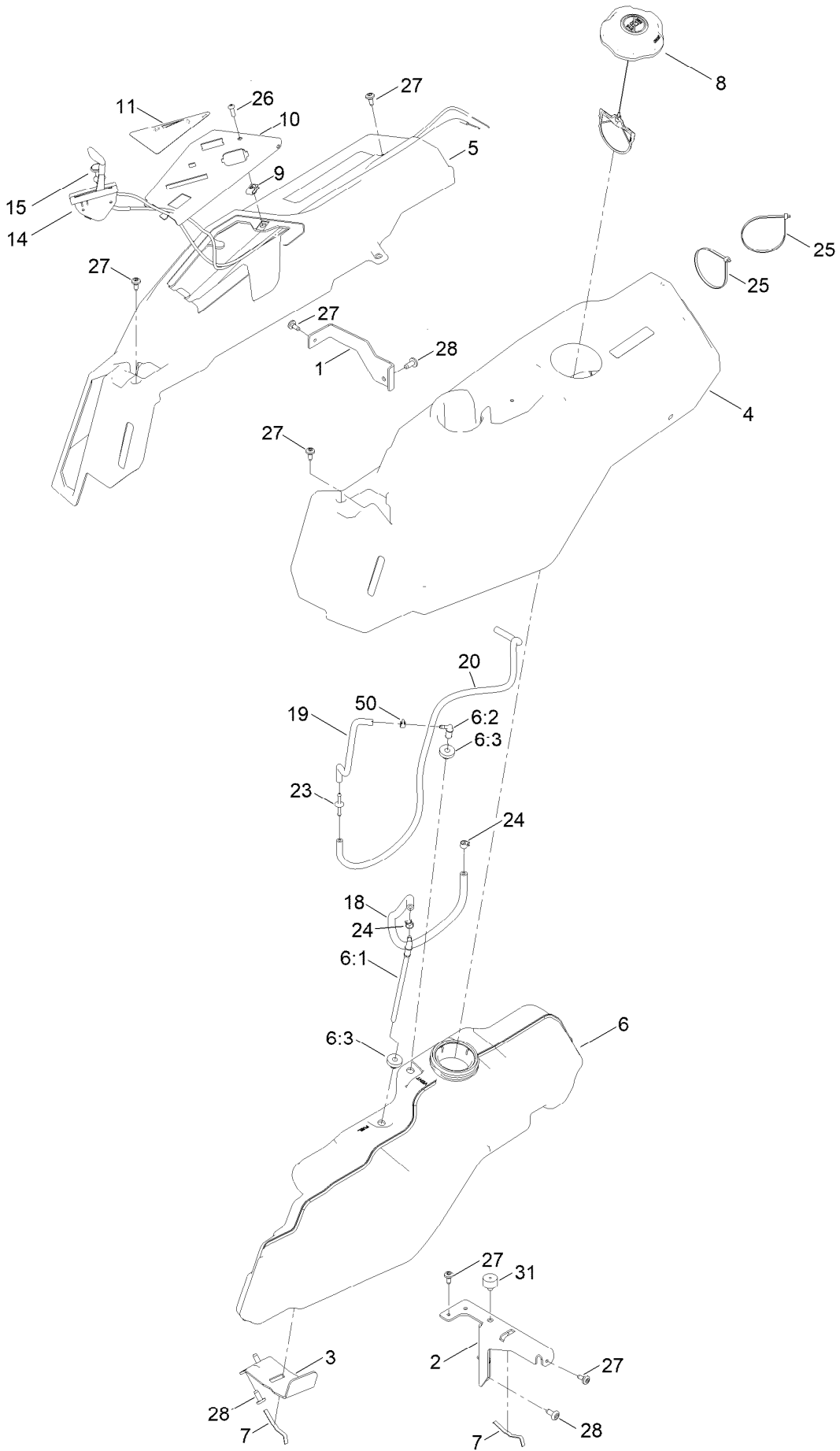
Engine and Muffler Assembly (continued)

<i>Ref.</i>	<i>Part Number</i>	<i>Qty.</i>	<i>Description</i>	<i>Ref.</i>	<i>Part Number</i>	<i>Qty.</i>	<i>Description</i>
1		1	Engine-Kawasaki, Fr691 ●■	6	115-1166	3	Washer-Plain
1:1	1-653313	2	Gasket-Exhaust	7	106-7022	1	Tube-Drain, Oil
1:2	114-3549	4	Nut	13	140-5126-03	1	Shield-Heat
1:3	114-3550	4	Washer-Lock	14	139-2596	2	Screw-HHF
2	139-5867	1	Muffler	15	119-4041	2	Nut-HF
5	139-2576	4	Screw-HWH				

● Not serviced separately

■ Obtain parts from www.kawpower.com

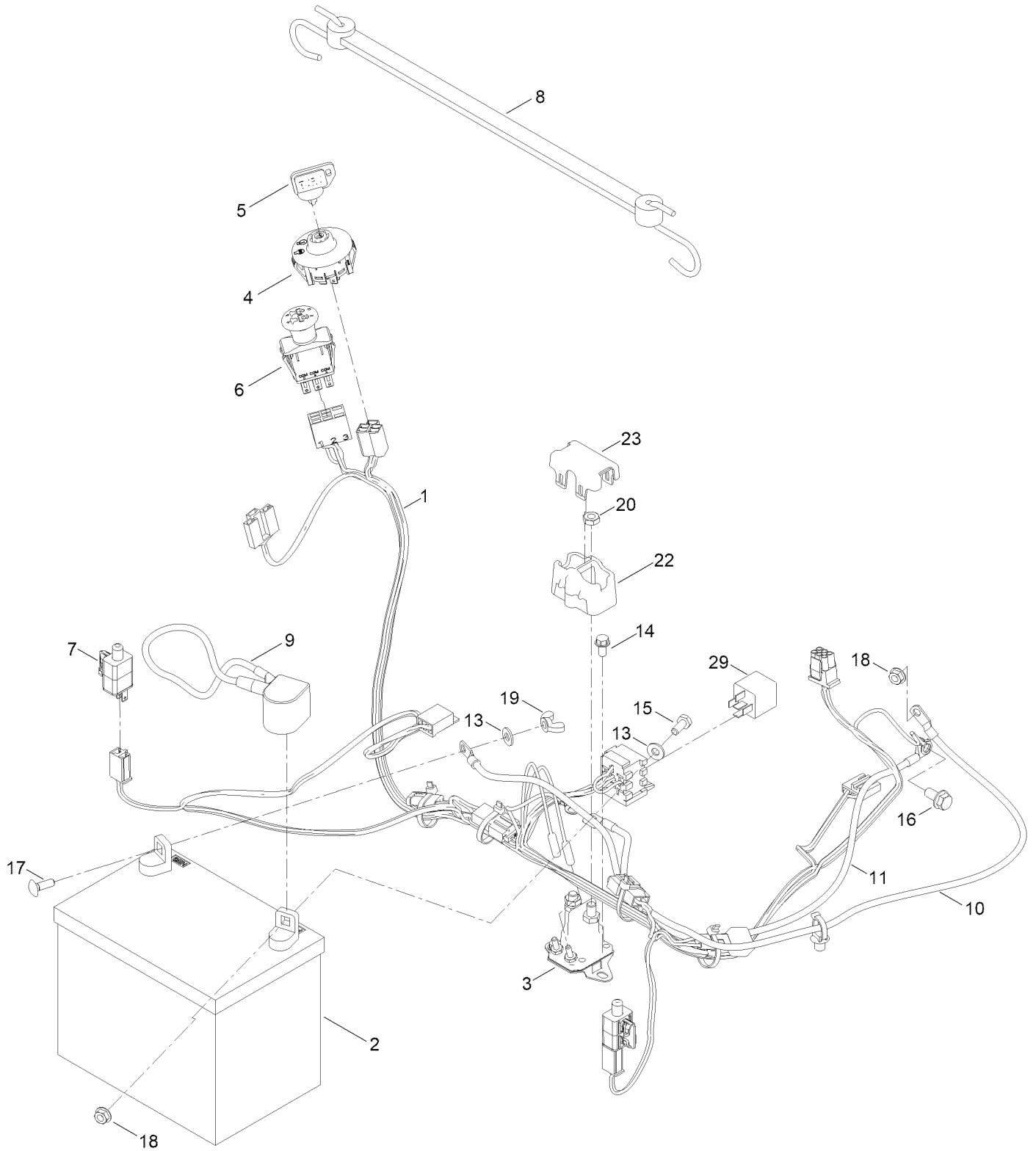
Fuel Pod Assembly



Fuel Pod Assembly (continued)

<i>Ref.</i>	<i>Part Number</i>	<i>Qty.</i>	<i>Description</i>	<i>Ref.</i>	<i>Part Number</i>	<i>Qty.</i>	<i>Description</i>
1	138-9810-03	1	Bracket-Pod	14	147-7695	1	Cable-Throttle
2	138-6071-03	1	Support-Pod, LH	15	139-2402	1	Cable-Choke
3	139-3271-03	1	Support-Tank, Fuel	18	109-0299	1	Hose-Fuel
4	138-6074	1	Pod-LH	19	136-6345	1	Hose-Fuel
5	139-2404	1	Pod-RH, Myride	20	110-3958	1	Hose-Fuel
6	144-5304	1	Tank-Fuel ASM	23	144-1983	1	Adapter Orifice
6:1	139-1091	1	Connector-Elbow, 90 DEG	24	2412-98	2	Clamp-Hose
6:2	144-5302	1	Fitting-Elbow 90	25	614249	4	Tie-Cable
6:3	46-6560	2	Bushing	26	3258-166	1	Screw-PRH
7	609830	2	Spring	27	120-7950	6	Screw-Torx
8	137-4119	1	Cap-Fuel, Ratcheting	28	138-9753	5	Screw
9	107069	1	Clip	31	120-7893	1	Bumper-Grommet
10	139-2380-03	1	Panel - Control	50	2412-80	1	Clamp-Hose
11	139-2391	1	Decal-Panel, Control				

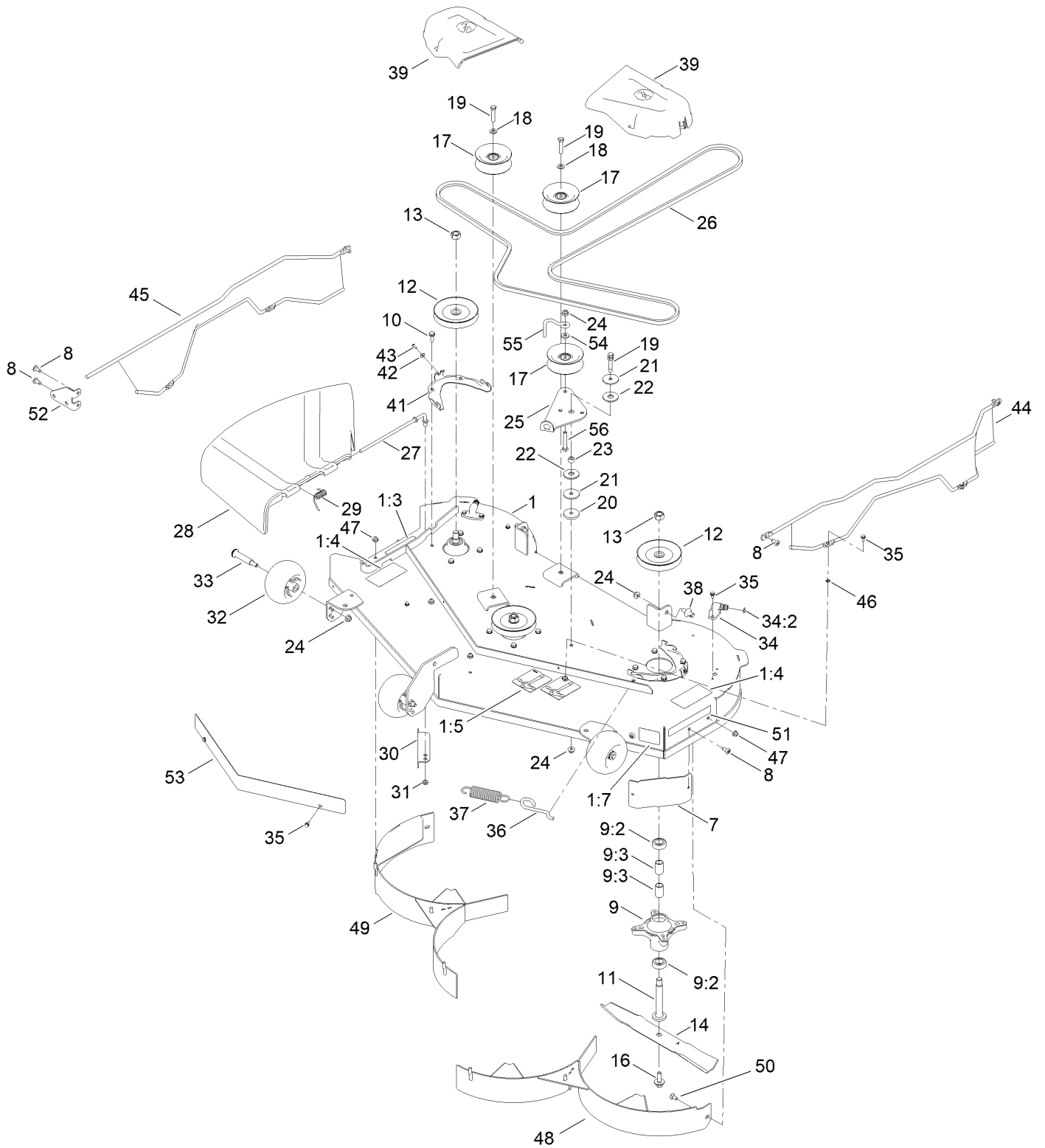
Electrical Assembly



Electrical Assembly (continued)

<i>Ref.</i>	<i>Part Number</i>	<i>Qty.</i>	<i>Description</i>	<i>Ref.</i>	<i>Part Number</i>	<i>Qty.</i>	<i>Description</i>
1	161-6631	1	Harness-Wire, Main	13	120-9679	2	Washer-Flat
2	105-1692	1	Battery- Dry, 12V, 230 CCA	14	32144-4	2	Screw-HWH
3	117-1197	1	Solenoid	15	137-3041	1	Screw-HH
4	137-4100	1	Switch-Ignition	16	139-2593	1	Screw-HHF
5	63-8360	1	Key-Ignition	17	137-3053	1	Screw-CARR
6	103-5221	1	Switch-PTO	18	139-2575	2	Nut-HF
7	110-6765	2	Switch	19	32103-22	1	Nut-Wing
8	139-2381	1	Strap-Rubber	20	139-2580	2	Nut-HJ
9	140-2713	1	Cable-Battery, Pos	22	140-2080	1	Cover-Solenoid
10	139-2431	1	Cable-Battery, Red (8 Gauge)	23	140-2081	1	Cap-Solenoid
11	110-6793	1	Cable-Battery, Black	29	1-643275	1	Relay

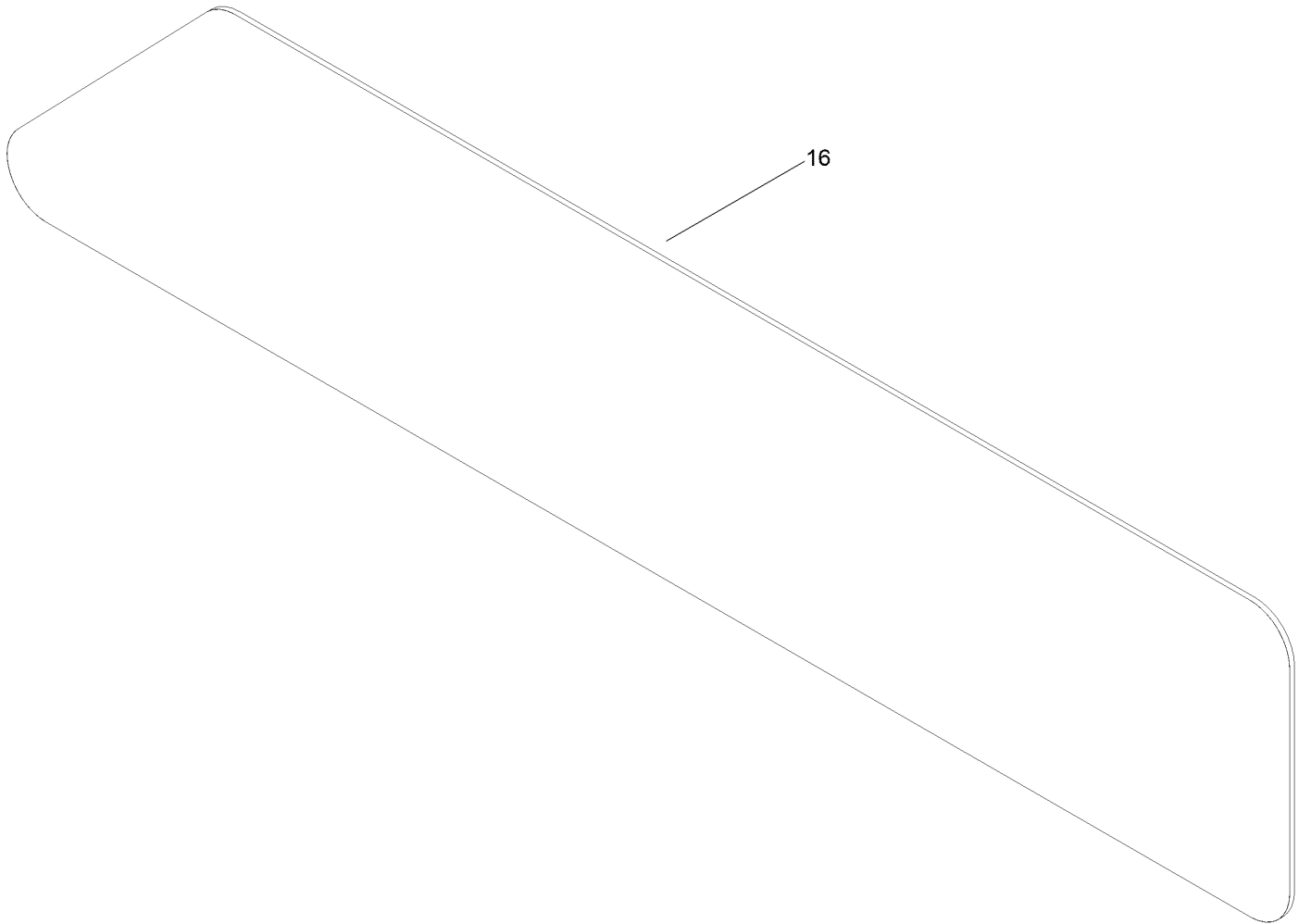
50 Inch Deck and Decal Assembly



50 Inch Deck and Decal Assembly (continued)

<i>Ref.</i>	<i>Part Number</i>	<i>Qty.</i>	<i>Description</i>	<i>Ref.</i>	<i>Part Number</i>	<i>Qty.</i>	<i>Description</i>
1	138-9764	1	50 Inch Deck And Decal ASM	29	138-7268	1	Spring-Torsion
1:3	130-0731	1	Decal-Danger	30	138-9800-03	1	Baffle-Cutoff
1:4	132-0872	2	Decal-Danger, Deck	31	121-4600	1	Nut-Hex
1:5	99-3943	1	Decal-Routing, Belt	32	1-603299	3	Roller-Scalp, Anti
1:7	112-9840	1	Decal-Scalp, Anti	33	139-2551	3	Bolt-Shoulder
7	139-2448-03	1	Baffle-Corner	34	133-9289	2	Fitting-Washout
8	138-9753	7	Screw	34:2	133-9290	1	O-Ring
9	139-3214	3	Spindle ASM	35	32144-4	10	Screw-HWH
9:2	120-7935	2	Spacer	36	138-7266	1	Spring-Return, Hook
9:3	138-9770	2	Bearing-Ball	37	138-7264	1	Spring-Extension
10	32144-41	12	Screw-Taptite	38	139-5871	2	Pin-Deck
11	117-7268	3	Shaft-Spindle	39	144-1906	2	Cover-Belt
12	139-7454	3	Pulley	41	139-3272-03	2	Bracket-Cover, Belt
13	139-2578	3	Nut-Hex	42	137-3079	2	Washer-Plain
14	115-5062-03	3	Blade-Mulch, 17.50 Inch	43	94-6961	2	Screw
16	145-0411	3	Bolt-Blade, Sems	44	161-6255	1	Left Guard ASM
17	132-9420	3	Pulley-Idler, Flat	45	161-6256	1	Right Guard ASM
18	115-1166	2	Washer-Plain	46	1-803037	4	Nut-Retaining
19	138-0722	3	Screw-HH	47	119-4041	7	Nut-HF
20	139-5802	1	Washer-Plain	48	139-3236-03	1	50In Baffle ASM
21	139-1726	2	Washer-Rebound	49	139-3234-03	1	50In Baffle ASM
22	114-0463	2	Washer-Friction, Composite	50	139-2630	2	Bolt-CARR
23	115-4986	1	Spacer	51	119-2368	1	Decal-Recycler
24	119-4042	7	Nut-HF, NI	52	140-5183-01	1	Plate-Mount, Guard
25	138-7262	1	Arm-Idler (Mty/Wdm)	53	139-7485-03	1	Shield-Front
26	119-8820	1	V-Belt	54	138-7207	1	Spacer-Hub, Blower
27	137-2019	1	Rod-Pivot	55	138-7270	1	Guide-Belt, Idler
28	138-7502	1	Deflector-Discharge	56	139-2589	1	Screw-HH

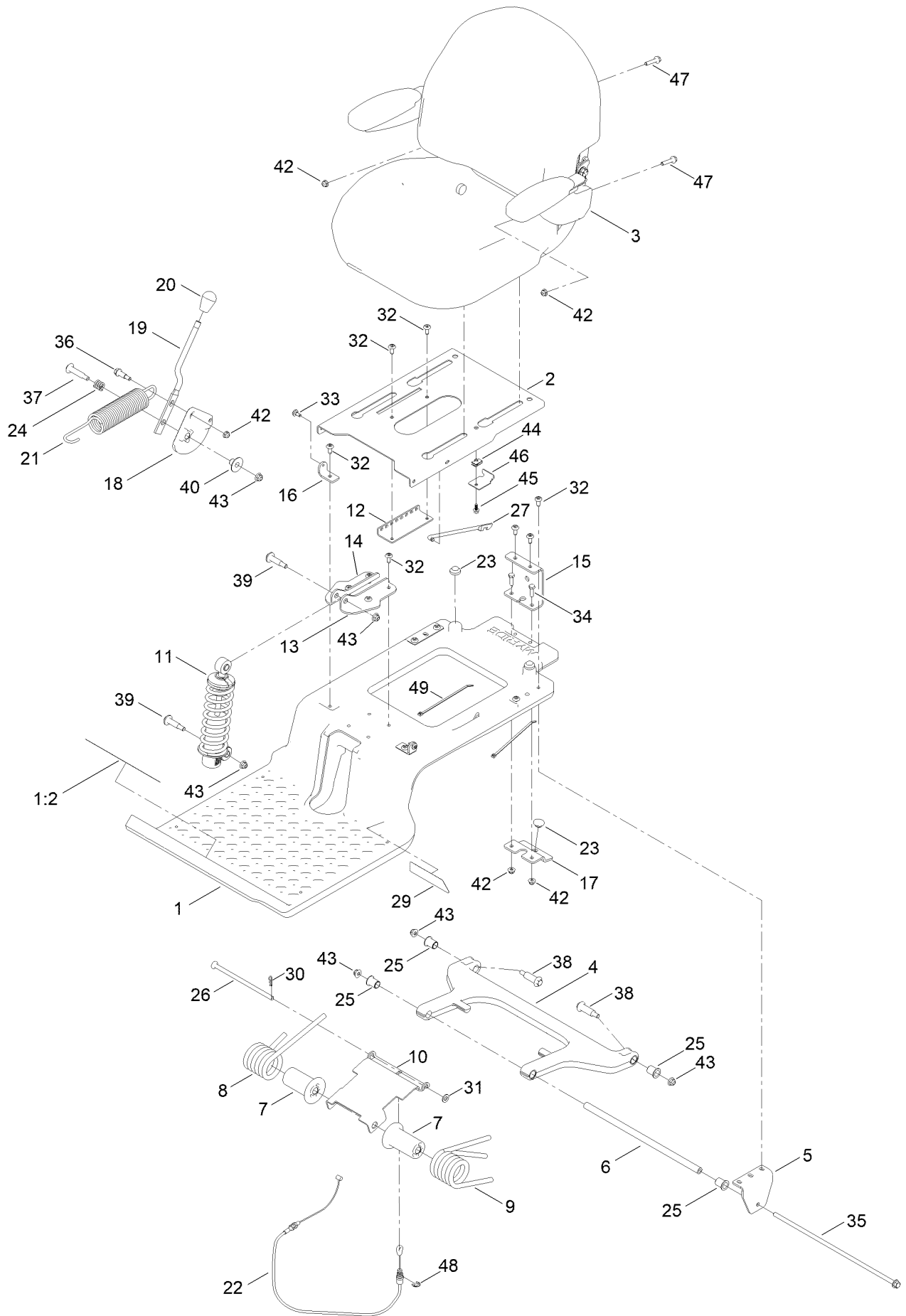
Model Specific Decal Assembly



Model Specific Decal Assembly (continued)

<i>Ref.</i>	<i>Part Number</i>	<i>Qty.</i>	<i>Description</i>
16	161-4613	1	Decal-Mr5075T

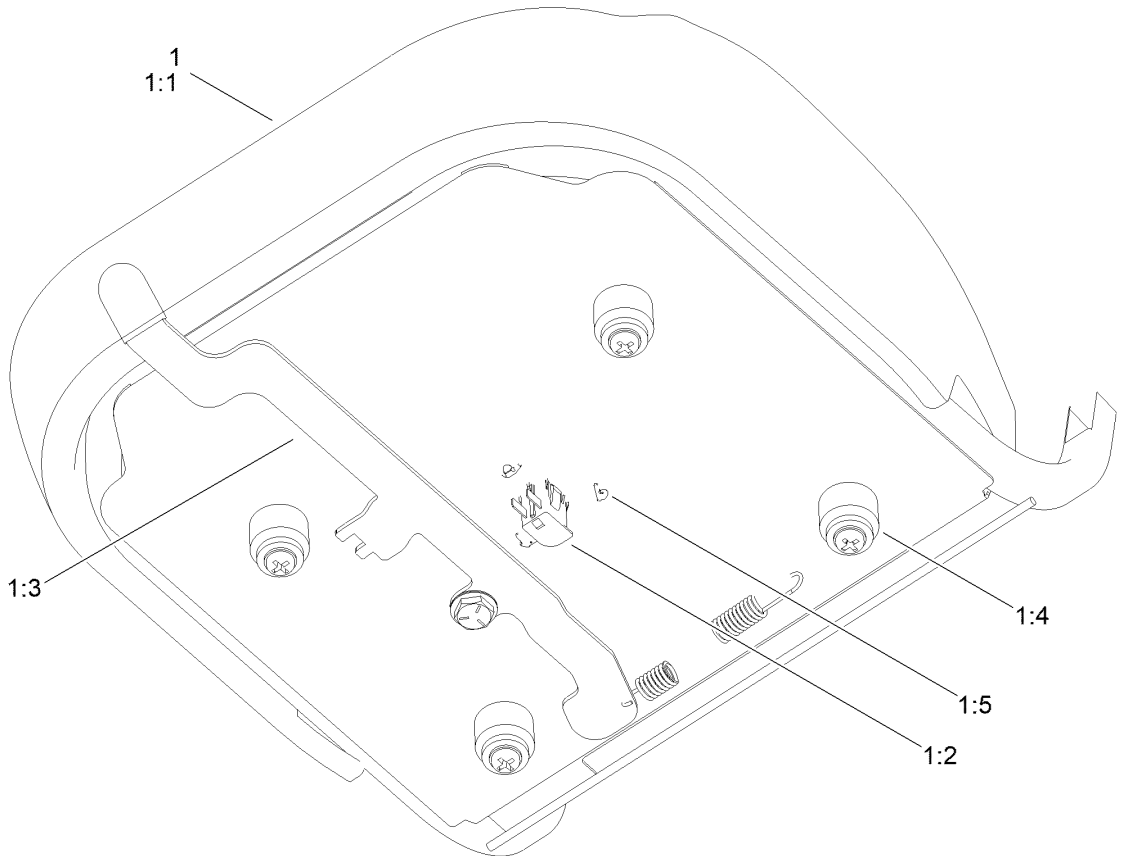
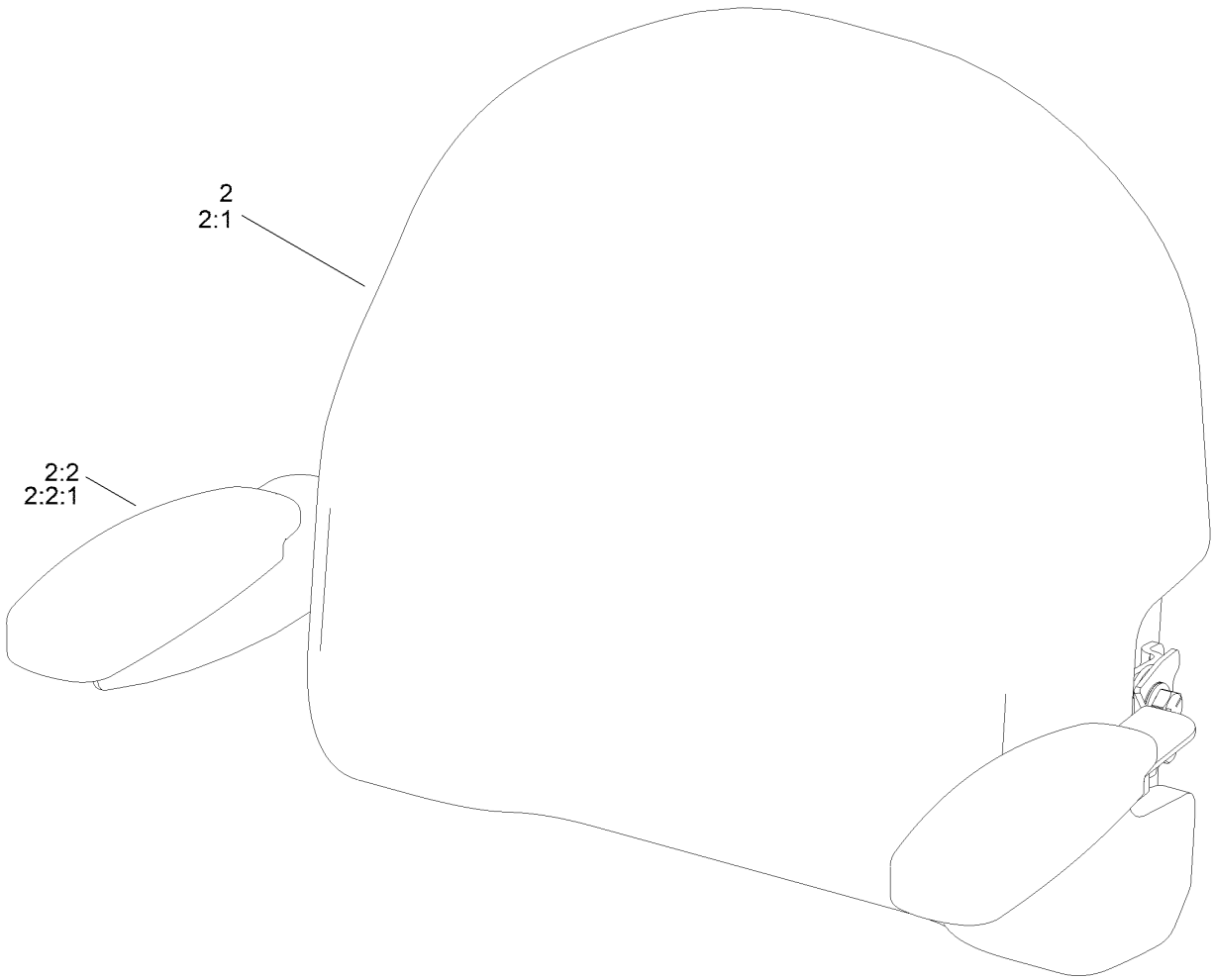
Seat Assembly



Seat Assembly (continued)

<i>Ref.</i>	<i>Part Number</i>	<i>Qty.</i>	<i>Description</i>	<i>Ref.</i>	<i>Part Number</i>	<i>Qty.</i>	<i>Description</i>
1	140-5046	1	Subframe ASM	23	135-0505	3	Bumper-Seat
1:2	132-0869	1	Decal-Danger	24	139-5858	1	Spring-Compression
2	138-7540-03	1	Pan-Seat	25	138-2573	4	Bushing-Flange
3	140-8303	1	Seat ASM	26	138-9813	1	Rod-Adjustment
4	138-2563	1	Arm, Swing	27	138-2596	1	Rod-Prop, Seat
5	138-7517	2	Bracket-Mount, Swing Arm	29	140-0357	1	Decal-Myride
6	138-7549	1	Tube-Spacer	30	137-3083	1	Pin-Hair
7	138-9776	2	Retainer-Spring	31	115-1166	1	Washer-Plain
8	137-7018	1	Spring-Torsion, RH	32	138-9753	14	Screw
9	137-1983	1	Spring-Torsion, LH	33	120-7950	2	Screw-Torx
10	138-7566-03	1	Plate-Adjuster	34	139-1716	2	Screw-HH
11	139-2427	1	Shock/Spring ASM	35	138-7548	1	Screw-HHF
12	131-4008-03	1	Bracket-Latch, Seat	36	140-3759	1	Bolt-Shoulder,HHF
13	133-9318-03	1	Bracket-Shock Mount, Upper (LH)	37	92-1057	1	Bolt-Shoulder
14	133-9319-03	1	Bracket-Shock Mount, Upper (RH)	38	138-2547	2	Bolt-Shoulder
15	138-9788	1	Bracket-Cable	39	136-7198	2	Bolt-Shoulder
16	138-7522	2	Bracket-Seat	40	139-5800	1	Bushing - Flange
17	139-2361-03	1	Bracket Lower	42	119-4041	5	Nut-HF
18	138-9814	1	Pulley - Cam	43	119-4042	6	Nut-HF, NI
19	138-9822	1	Lever - Adjustment	44	107069	1	Clip
20	140-5176	1	Knob-Mr	45	137-3111	1	Screw-HHF
21	138-9848	1	Spring-Extension	46	138-7214	1	Bracket-Stop, Seat
22	138-9812	1	Cable-Adjustment, Myride	47	140-5024	2	Screw-HHF
				48	32120-47	1	Ring-Retaining, External
				49	614249	2	Tie-Cable

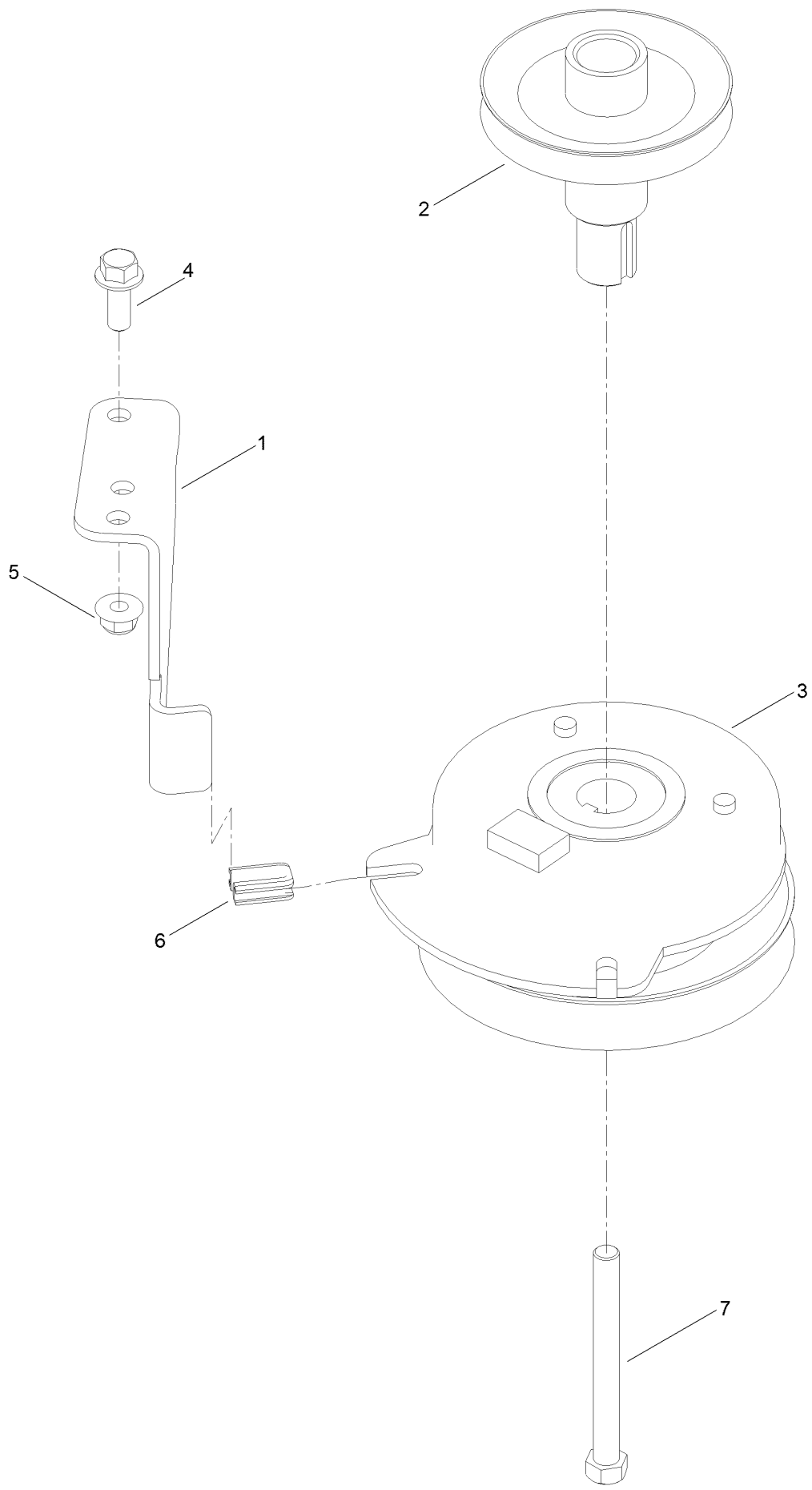
Seat Assembly No. 140-8303



Seat Assembly No. 140-8303 (continued)

<i>Ref.</i>	<i>Part Number</i>	<i>Qty.</i>	<i>Description</i>	<i>Ref.</i>	<i>Part Number</i>	<i>Qty.</i>	<i>Description</i>
1	140-8323	1	Seat ASM - Bottom	1:5	140-3468	1	Cap-Switch, Actuator
1:1	140-5042	1	Cover-Seat Base	2	140-8324	1	Seat ASM -Back
1:2	82-2190	1	Switch-Bail	2:1	140-5041	1	Cover-Seat Back
1:3	131-4153	1	Track ASM	2:2	126-2058	1	Armrest Kit
1:4	131-4154	1	Bushing ASM	2:2:1	110-4163	2	Cushion-Rest, Arm

Clutch Assembly



Clutch Assembly (continued)

<i>Ref.</i>	<i>Part Number</i>	<i>Qty.</i>	<i>Description</i>	<i>Ref.</i>	<i>Part Number</i>	<i>Qty.</i>	<i>Description</i>
1	137-7000	1	Stop-Clutch (Wide)	5	119-4042	1	Nut-HF, NI
2	138-9792	1	Pulley-Engine	6	120-2217	1	Isolator-Clutch
3	127-3408	1	Clutch-PTO	7	139-2572	1	Screw-HH
4	139-2597	1	Screw-HHF				

Attachments and Accessories

For 74696 — TimeCutter MR5075T 127CM 23HP Riding Mower

Product Name	Model/Part
Twin Bagger, Timecutter 50/54 Inch Fab.....	79412
50 Inch Recycler Kit.....	139-3240
50 Inch Bagging Enhancement Kit.....	139-7459
50 Inch Striping Kit.....	140-5160
Fuel Stabilizer .05 oz	130-2393
Hour Meter Kit.....	147-8791
4-Cycle Fuel, Snow And Lawn 32oz Can	131-3823
Front Weight Kit.....	140-2050
10W30 4-Cycle Engine Oil (32oz Bottle).....	38280
Toro Premium Fuel Treatment 12oz Bottle.....	131-6572
Assist Bar Kit	140-2052
Heavy Duty Spring Kit.....	161-4525
ROPS Kit	79485
Slope Sensor Kit.....	79486
LED Light Kit.....	140-2056
Sunshade Kit	140-2054
Floormat Kit	161-4529
Jack Mount Kit.....	140-2711
Blade Kit	79016P
Storage Cover	490-7516
Seat Cover w/Arm Rest	117-0097
Toro 4-Cycle SAE 30 Oil (32oz Bottle)	38903
Mower Deck Drive Belt, TimeCutter SS Riding Mower with 50-inch Mowing Deck.....	79005
Jack Kit.....	127-6666
Kit-Caster Wheel	161-4531

Notes:



Count on it.