



## 22in Recycler<sup>®</sup> Lawnmower

Model No. 20008 - 240000001 and up.

### Parts Catalog

---

#### **Ordering Replacement Parts**

To order replacement parts, please supply the part number, the quantity, and the description of each part desired.

#### **Understanding Reference Numbers**

Each Identified part in an illustration has a reference number. The reference number for a part also appears in the parts list, along with other information about the part.

This catalog uses two special reference number formats, one to indicate parts in a service assembly and another to indicate the quantity of a given part in an illustration.

#### **Service Assembly Reference Numbers**

Parts in service assemblies have reference numbers in the form a:b. The a represents the reference number of the entire service assembly and the b represents a sequential number unique to each part within the service assembly.

For example, a wheel assembly might be identified by reference number 6, the tire by 6:1, the valve by 6:2, and the wheel by 6:3. When you order the assembly identified by reference number 6, you receive all parts identified by reference numbers 6:1, 6:2, and 6:3. However, you may also order any part individually. Reference numbers of this type appear in illustrations and in part lists.

#### **Reference Numbers Indicating Quantity**

In an illustration, if a reference number indicates more than one part, the reference number has the form nX y. The n represents the quantity of the part, the X is the multiplication symbol, and the y represents the reference number.

For example, in an illustration, the reference number 2X 37 means that two of the parts identified by reference number 37 are indicated.

# Contents

Description	Page	Description	Page
Deck, Side Chute and Rear Door Assembly	..... 3	Carburetor Assembly No. 640303 Tecumseh	
Rear Axle and Low Wheel Assembly	..... 4	Model No. Lv95ea-362003b	..... 12
Front Axle and Wheel Assembly	..... 5	Rewind Starter Assembly No. 590739	
Engine and Blade Assembly	..... 6	Tecumseh Model No. LV195EA-362003B	..... 13
HP-2 Bail Handle Assembly	..... 7	Recoil Starter (Optional) No. 590702	
Engine Assembly Tecumseh Model No. Lv195ea-362003b	..... 8	Tecumseh Model No. LV195EA-362003B	..... 14
Engine Assembly Tecumseh Model No. Lv195ea-362003b (continued)	..... 10		

## Part Description Abbreviations

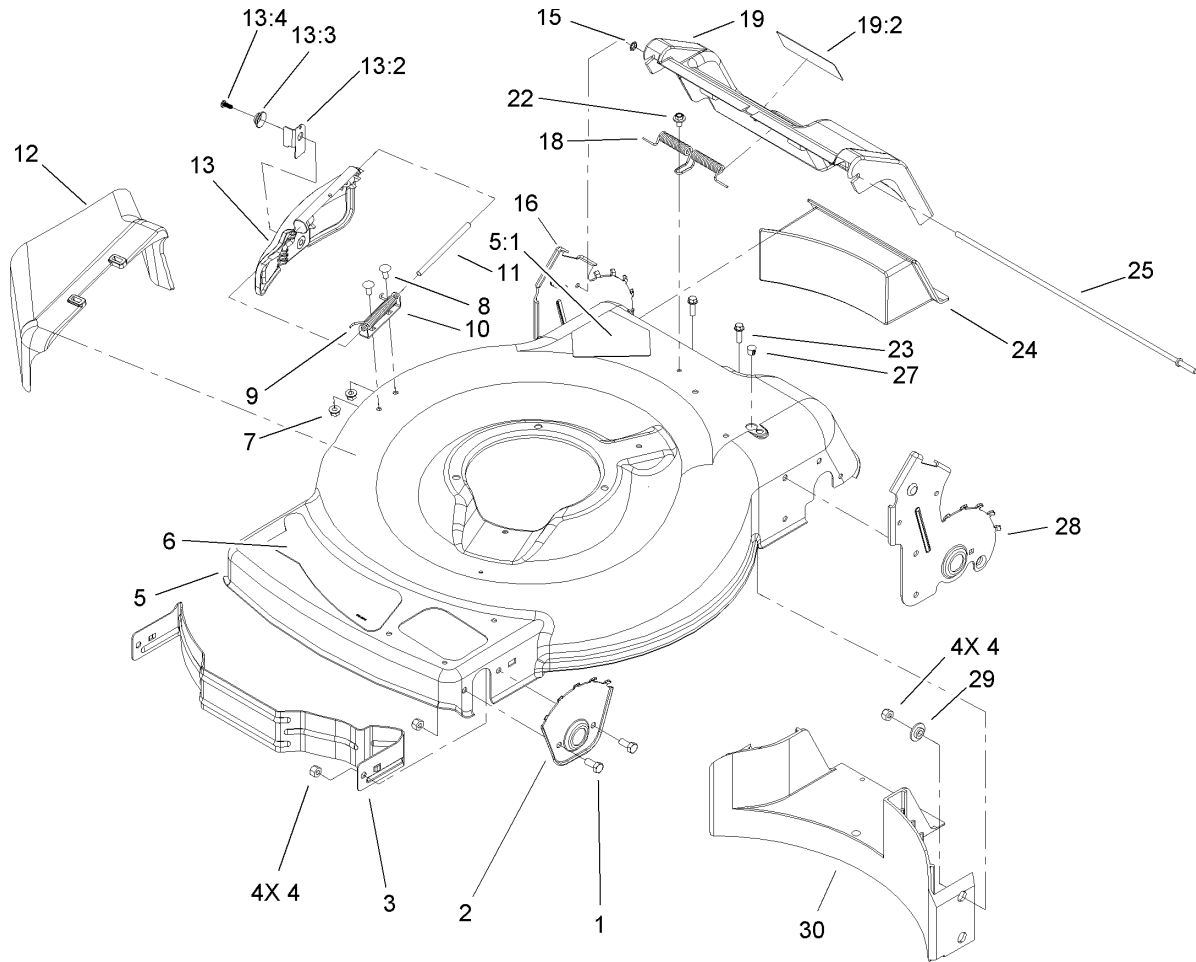
Part descriptions in this catalog may include the following abbreviations.

AR. .... as required	INC. .... incorporated
ASM. .... assembly	LH. .... left hand
CARR. .... carriage	NI. .... nylon insert
DEG. .... degrees	PPH. .... phillips pan head
FH. .... flat head	PTH. .... phillips truss head
GA. .... gauge	PTO. .... power take off
HF. .... hex flange	RH. .... right hand
HH. .... hex head	SFH. .... slotted fillister head
HHF. .... hex head flange	SHH. .... slotted hex head
HHFTF. .... hex head flange thread forming	SHWH. .... slotted hex washer head
HJ. .... hex jam	SPH. .... slotted pan head
HLH. .... hex lag head	SQH. .... square head
HOC. .... height-of-cut	SRH. .... slotted round head
HS. .... hex	STD. .... standard
HSBH. .... hex socket button head	TAP. .... self tapping
HSFH. .... hex socket flat head	TTH. .... torx truss head
HSH. .... hex socket head	WH. .... wing head
HWH. .... hex washer head	
HWHTF. .... hex washer head thread forming	
HYD. .... hydraulic	

## Footnotes

❶ Not serviced separately

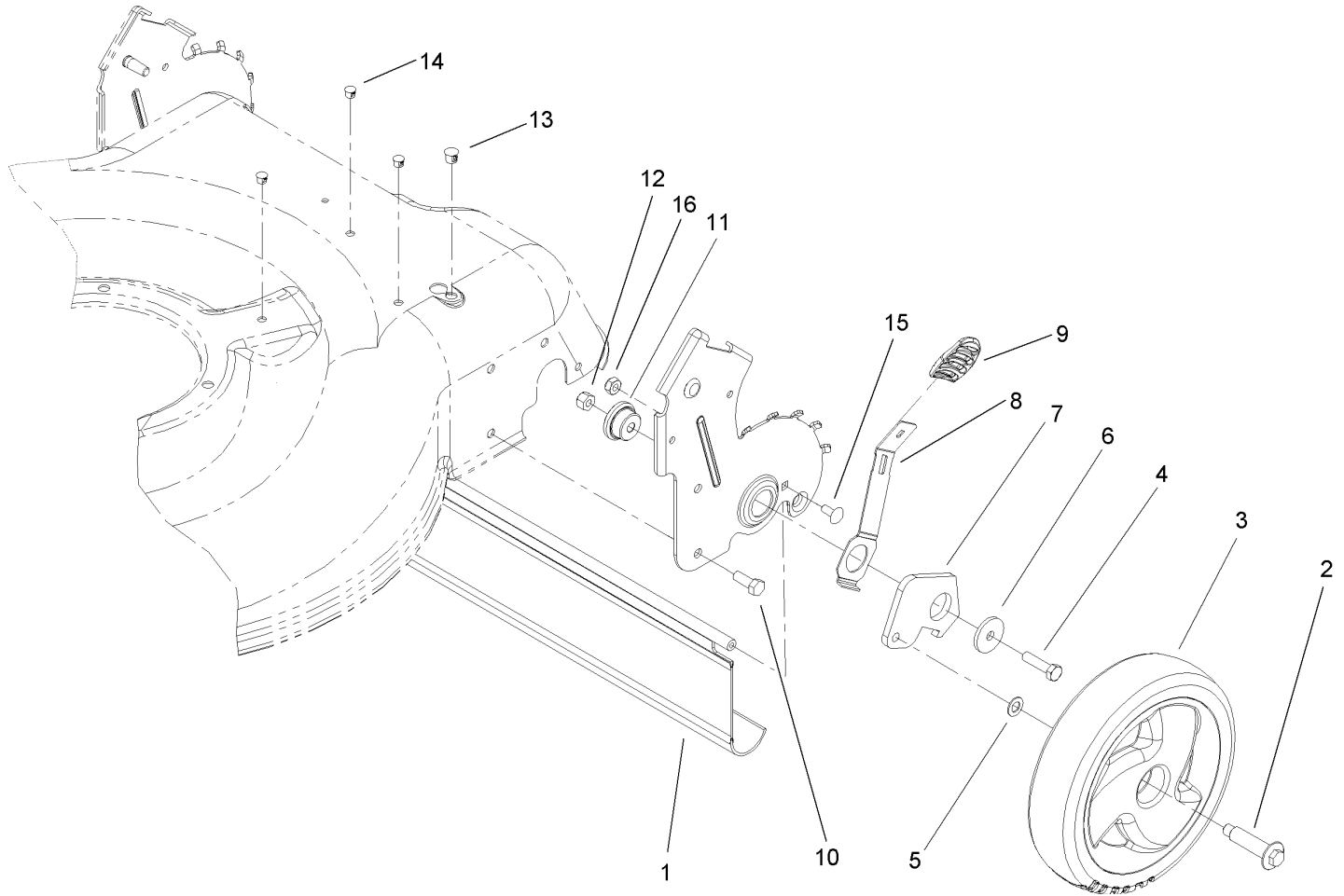
❷ Obtain parts from your local Tecumseh dealer



## Deck, Side Chute and Rear Door Assembly

Ref	Part No.	Qty.	Description
1	322-3	4	Screw-HH
2	105-1808-03	2	Plate-Hoc, Front
3	104-8694-03	1	Baffle-Front
4	3296-29	8	Nut-Lock, NI
5	104-7915	1	Housing
5:1	105-6838	1	Decal-Danger
6	105-1297	1	Decal-Deck
7	32128-32	2	Nut-HHF
8	3229-11	2	Screw-CARR
9	99-5293	1	Spring-Torsion
10	99-5292	1	Bracket-Cover
11	99-5291	1	Rod-Cover
12	105-3028	1	Chute-Side Discharge
13	106-8376	1	Discharge Door ASM
13:2	107-0795	1	Latch-Door
13:3	107-7456	1	Cap-Door
13:4	107-7461	1	Screw-Plastite
15	32112-6	1	Pushnut
16	107-0790	1	RH Rear HOC Plate ASM
18	105-3032	1	Spring-Door, Rear
19	105-1323	1	Door
19:2	105-1295	1	Decal-Warning
22	46-6810	1	Screw And Washer ASM
23	46-8091	2	Screw-HWH

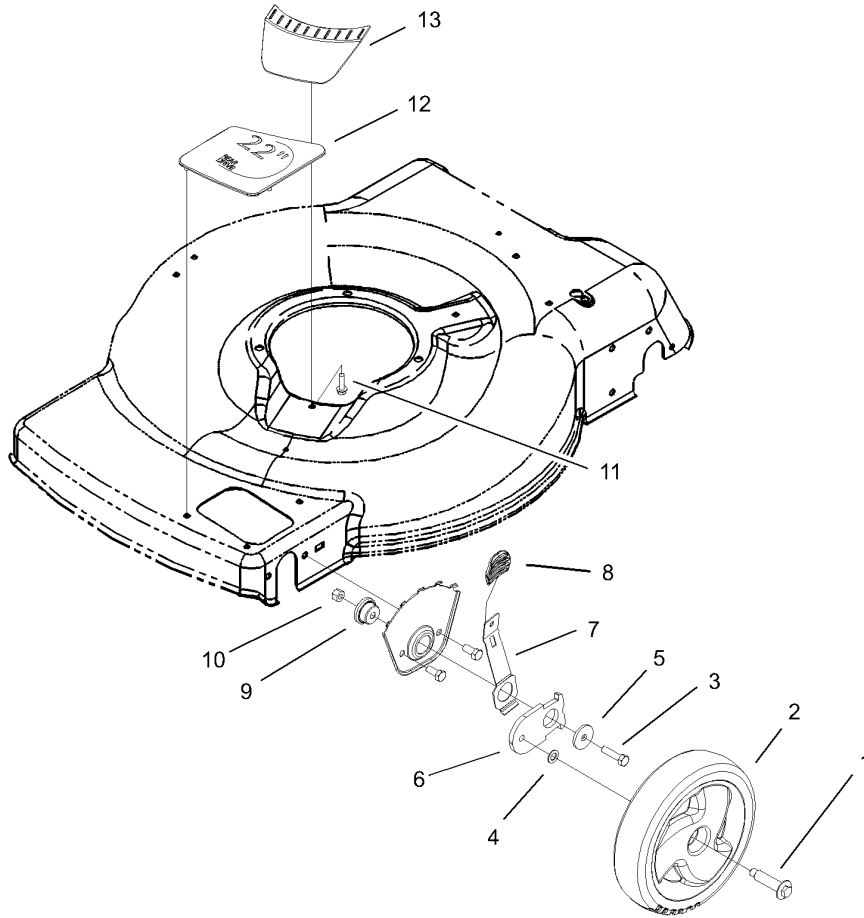
Ref	Part No.	Qty.	Description
24	105-1842	1	Plug-Discharge, Rear
25	105-1827	1	Rod-Pivot, Rear Door
27	104-9369	1	Plug-Dome
28	107-0783	1	LH Rear HOC Plate ASM
29	105-3006	4	Washer-Stepped
30	105-3047	1	Baffle-Rear



## Rear Axle and Low Wheel Assembly

Ref	Part No.	Qty.	Description
1	105-1843	1	Shield-Trailing
2	614650	2	Bolt-Shoulder
3	105-1814	2	Wheel ASM
4	322-6	2	Screw-HH
5	40-1940	2	Washer
6	105-3048	2	Washer-Flat
7	105-1819	2	Arm-Pivot, Rear
8	105-1809	2	Arm-Spring
9	105-3042	2	Knob-Lever, HOC
10	322-4	4	Screw-HH
11	105-1818	2	Bushing-Mount, HOC
12	3296-29	2	Nut-Lock, NI
13	104-9368	1	Plug-Dome
14	104-9373	3	Plug-Dome
15	3229-11	2	Screw-CARR
16	3296-16	2	Nut-Lock, NI

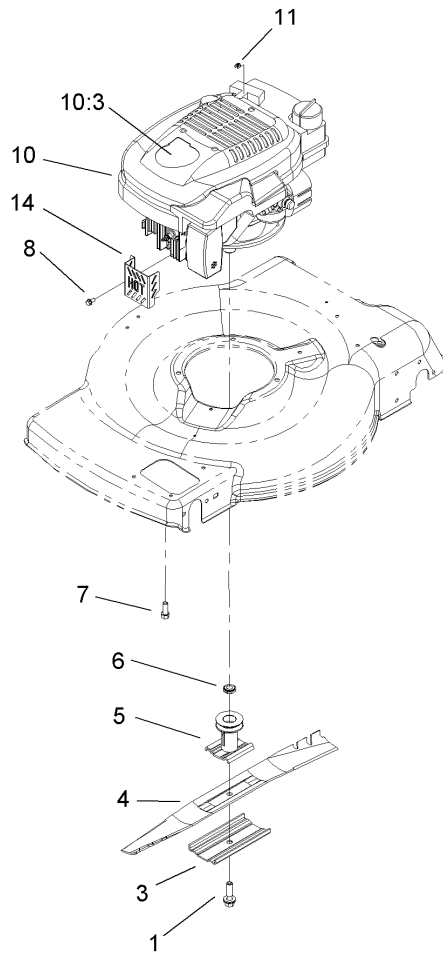
--	--	--	--



### Front Axle and Wheel Assembly

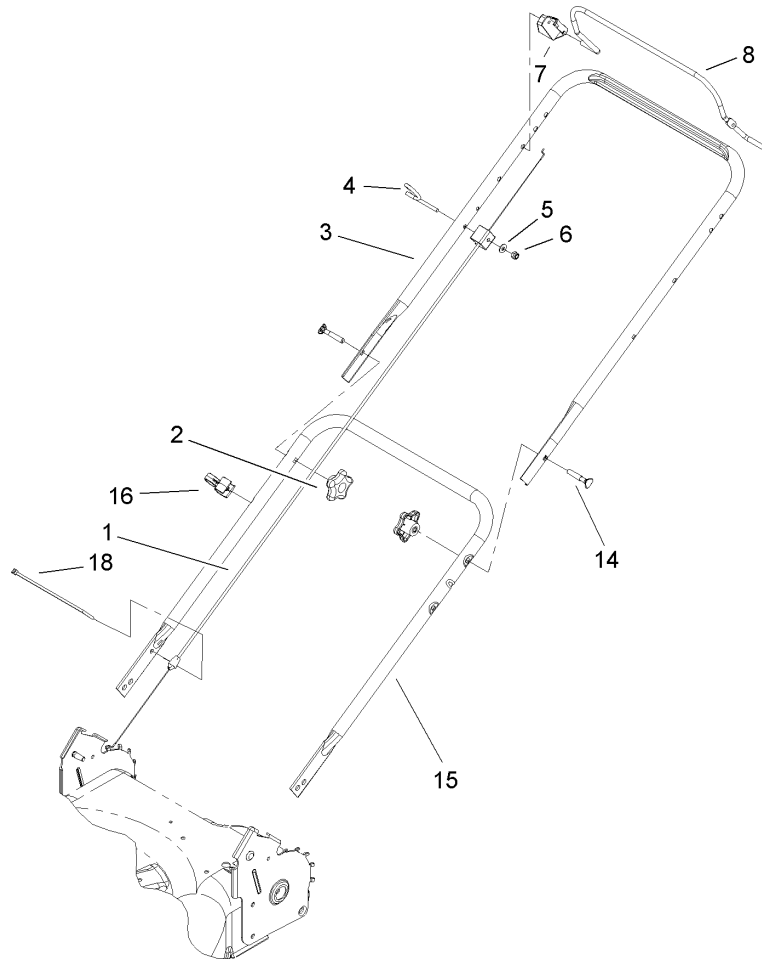
Ref	Part No.	Qty.	Description
1	614650	2	Bolt-Shoulder
2	105-1814	2	Wheel ASM
3	322-6	2	Screw-HH
4	40-1940	2	Washer
5	105-3048	2	Washer-Flat
6	105-1807	2	Arm-Pivot, Front
7	105-1809	2	Arm-Spring
8	105-3042	2	Knob-Lever, HOC
9	105-1818	2	Bushing-Mount, HOC
10	3296-29	2	Nut-Lock, NI
11	46-8091	1	Screw-HWH
12	104-9398	1	Cover-Cutout, Hp
13	105-3005	1	Cover-Belt Opening

--	--	--	--



## Engine and Blade Assembly

Ref	Part No.	Qty.	Description				
1	105-8579	1	Bolt-Blade				
3	105-3029-03	1	Support-Blade				
4	104-8697-03	1	Blade-22 Inch				
5	106-3987	1	Blade Driver ASM				
6	106-3999	1	Spacer-Driver				
7	95-1726	3	Screw-Taptite				
8	32144-85	1	Screw-HWH				
10		1	Engine-Tecumseh, Lev195ea-362003b				
10:3	105-6815	1	Decal-Recoil				
11	92-1701	1	Stop-Rope				
14	106-8346-03	1	Guard-Muffler				

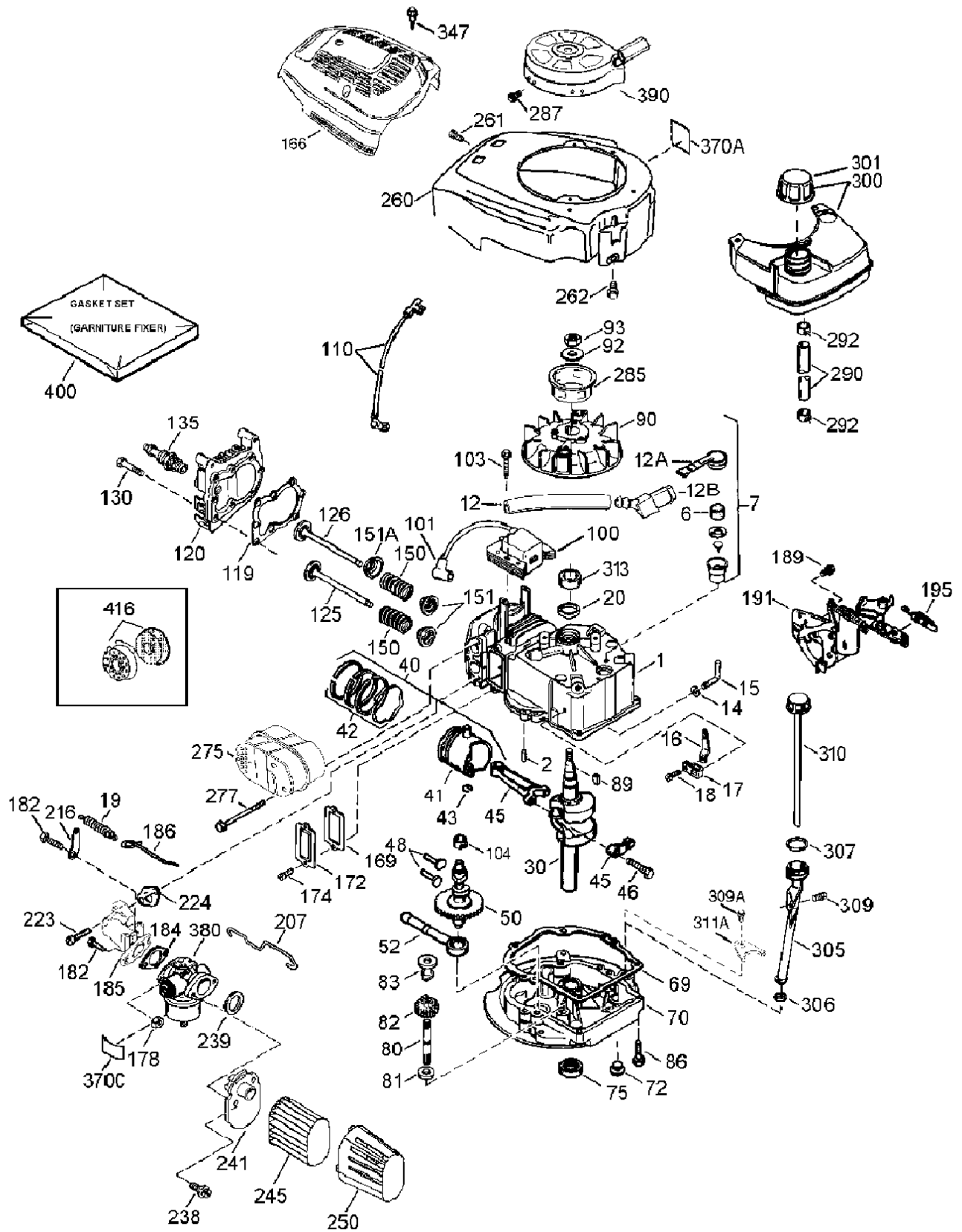


## HP-2 Bail Handle Assembly

Ref	Part No.	Qty.	Description				
1	104-8677	1	Cable-Brake				
2	106-4161	2	Knob-Handle				
3	104-8680-05	1	Handle-Upper				
4	106-8330	1	Guide-Rope				
5	3256-1	1	Washer-Flat				
6	3296-73	1	Nut-Lock, NI				
7	107-0757	1	Stop-Pivot				
8	105-6800-03	1	Bail-Brake				
14	92-2260	2	Screw-Handle				
15	107-0784-05	1	Handle-Lower				
16	106-6805	1	Guide-Cable				
18	614249	1	Strap-Tie				

# Engine Assembly

## Tecumseh Model No. Lv195ea-362003b



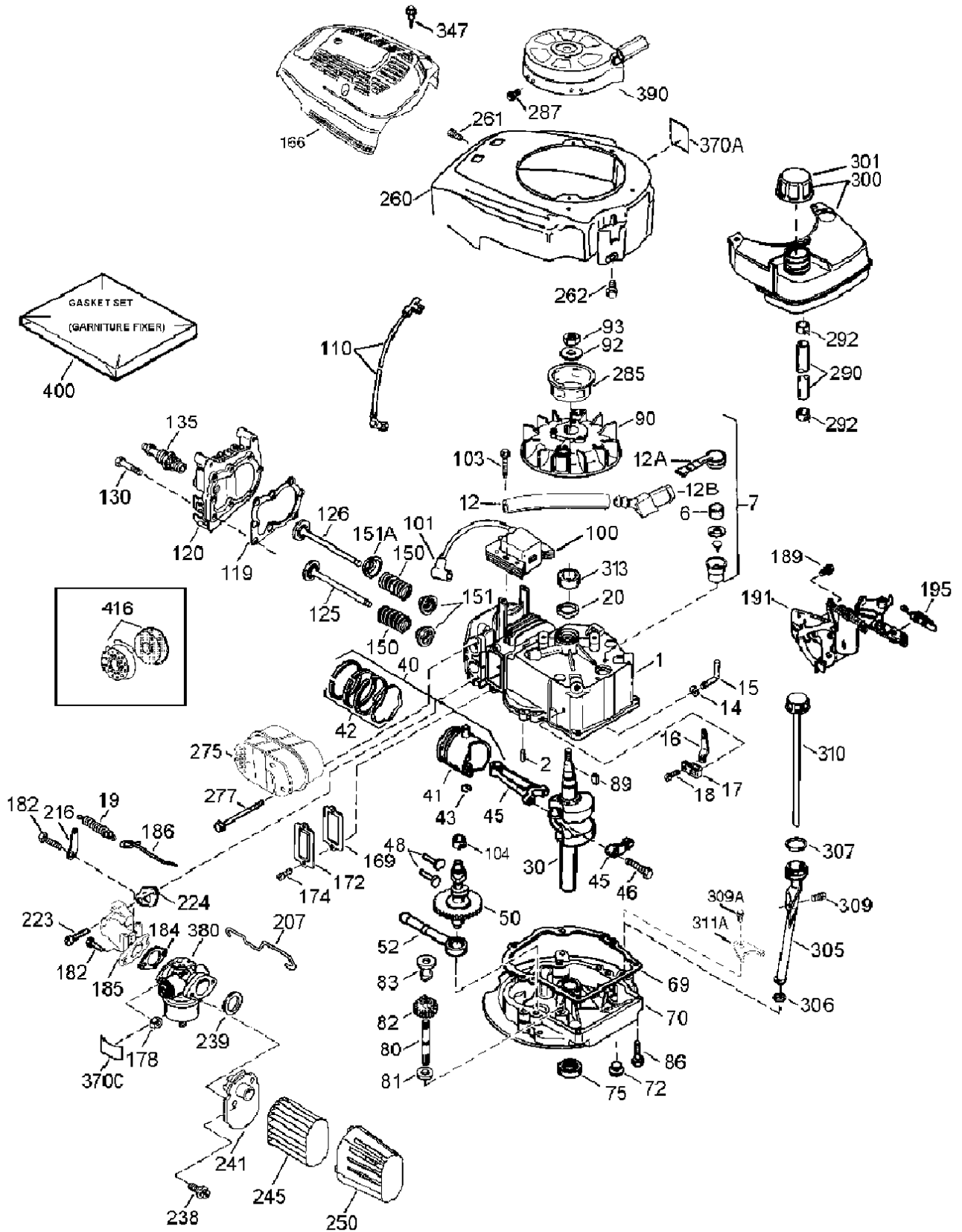
# Engine Assembly

## Tecumseh Model No. Lv195ea-362003b

Ref	Part No.	Qty.	Description	Ref	Part No.	Qty.	Description
②1	37465	1	Cylinder (Incl. Ref. #2, 20 & 150)	②125	37288	1	Valve-Exhaust (Std.) (Incl. Ref. #151)
②2	26727	2	Dowel Pin	②126	37289	1	Valve-Intake (Std.) (Incl. Ref. #151 And 151a)
②6	33734	1	Breather Element	②130	6021A	8	Screw, 5/16-18 X 1-7/16in
②7	36557	1	Breather ASM (Incl. Ref. #6 And 12a)	②135	35395	1	Resistor Spark Plug (Rj19Im)
②12	36775	1	Tube-Breather	②150	31672	2	Valve Spring
②12A	36558	1	Breather Cover And Tube (Incl. Ref. #12b)	②151	31673	2	Valve Spring Cap
②12B	36694	1	Breather Tube Elbow	②151A	40017	1	Intake Valve Seal
②14	28277	1	Washer	②166	37694	1	Engine Shroud (Red)
②15	30589	1	Governor Rod (Incl. Ref. #14)	②*169	36783	1	Valve Cover Gasket
②16	34839A	1	Governor Lever	②172	36784	1	Valve Cover
②17	31335	1	Governor Lever Clamp	②174	30200	2	Screw, 10-24 X 9/16in
②18	651018	1	Screw, T-15, 8-32 X 19/64in	②178	29752	2	Nut & Lock Washer, 1/4-28
②19	36281	1	Extension Spring	②182	6201	2	Screw, 1/4-28 X 7/8in
②20	32600	1	Oil Seal	②*184	26756	1	Carburetor To Intake Pipe Gasket
②30	37692	1	Crankshaft	②185	37466	1	Intake Pipe
②40	40027	1	Piston, Pin And Ring Set (Std.)	②186	32653	1	Governor Link
②41	40042	1	Piston And Pin ASM (Std.) (Incl. Ref. # 43)	②189	650839	2	Screw, 1/4-20 X 3/8in
②42	40006	1	Ring Set (Std.)	②191	36559A	1	Bracket-S.e. Brake (Incl. Ref. #195)
②43	20381	2	Piston Pin Retaining Ring	②195	610973	1	Terminal
②45	36777	1	Connecting Rod ASM (Incl. Ref. #46)	②207	34336A	1	Throttle Link
②46	32610A	2	Connecting Rod Bolt	②216	33086	1	R.p.m. Adjusting Lever
②48	27241	2	Valve Lifter	②223	650451	2	Screw, 1/4-20 X 1in
②50	37460	1	Camshaft (Exhaust Mcr) (Incl. Ref. #104)	②*224	36786	1	Intake Pipe Gasket
②52	29914	1	Oil Pump Asm.	②238	650932	2	Screw, 10-32 X 49/64in
②*69	37609	1	Mounting Flange Gasket	②*239	34338	1	Air Cleaner Gasket
②70	37608	1	Flange-Mounting (Incl. Ref. #72-83,306,309a & 311a)	②241	36919	1	Air Cleaner Collar
②72	37614	1	Oil Drain Plug	②245	36905	1	Air Cleaner Filter
②75	27897	1	Oil Seal	②250	37122	1	Air Cleaner Cover
②80	30574A	1	Governor Shaft	②260	37696A	1	Blower Housing
②81	30590A	1	Washer	②261	30200	2	Screw, 10-24 X 9/16in
②82	30591	1	Governor Gear ASM (Incl. Ref. #81)	②262	650831	2	Screw, 1/4-20 X 1/2in
②83	30588A	1	Governor Spool	②275	37498	1	Muffler
②86	650488	6	Screw, 1/4-20 X 1-1/4in	②277	650988	2	Screw, 1/4-20 X 2-9/32in
②89	611004	1	Key-Flywheel	②285	35000A	1	Starter Cup
②90	611112	1	Flywheel	②287	650926	2	Screw, 8-32 X 21/64in
②92	650815	1	Belleville Washer	②290	29774	1	Fuel Line
②93	650816	1	Flywheel Nut	②292	26460	2	Fuel Line Clamp
②100	34443C	1	Solid State Ignition	②300	35586A	1	Fuel Tank (Incl. Ref. #292 And 301)
②101	610118	1	Spark Plug Cover	②301	36246	1	Fuel Cap ASM
②103	651007	2	Screw, T-15, 10-24 X 15/16in	②305	35647	1	Oil Fill Tube
②104	37480	1	Cam Bushing	②*306	37610	1	Inoin-Ring
②110	37047	1	Ground Wire	②307	35499	1	Inoin-Ring
②*119	36787	1	Gasket-Cylinder Head	②309	650562	1	Screw, 10-32 X 1/2in
②120	36825	1	Head-Cylinder	②309A	650783	1	Screw, 10-24 X 3/4in
②125	36780	1	Valve-Exhaust (1/32in Os) (Incl. 151)	②310	35648	1	Dipstick
				②311A	37611	1	Hold Down Bracket
				②313	34080	1	Spacer
				②347	650898A	1	Screw, 10-32 X 27/32in

# Engine Assembly

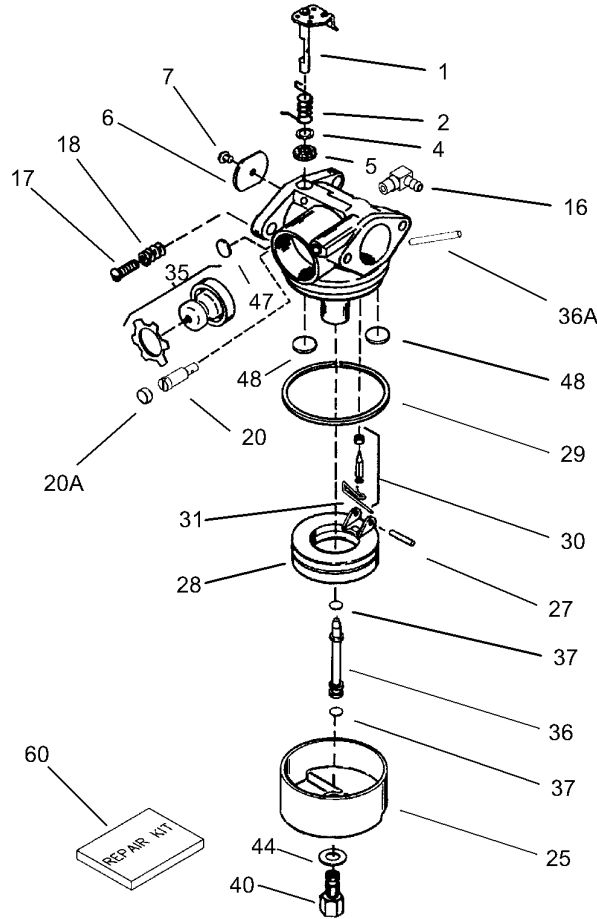
## Tecumseh Model No. Lv195ea-362003b (continued)



## Engine Assembly

### Tecumseh Model No. Lv195ea-362003b (continued)

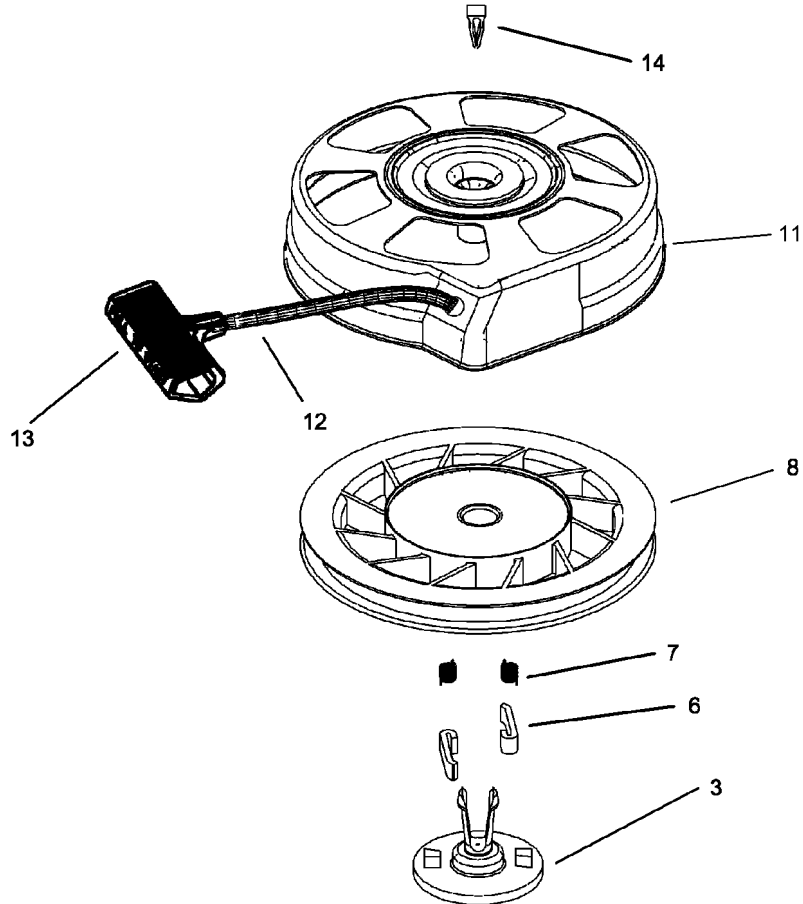
Ref	Part No.	Qty.	Description			
②370	35977	1	Warning Decal			
②370A	36261	2	Lubrication Decal			
②370C	37695	1	Primer Decal (3 X)			
②380	640303	1	Carburetor (Incl. Ref. #184)			
②390	590739	1	Rewind Starter (Note: This Engine Could Have Been Built With 590702 Starter.)			
②400	37613	1	Gasket Set			
②416	37530	1	Spark Arrestor Kit (Optional)			
②	750876	1	Shortblock			



## Carburetor Assembly No. 640303 Tecumseh Model No. Lv95ea-362003b

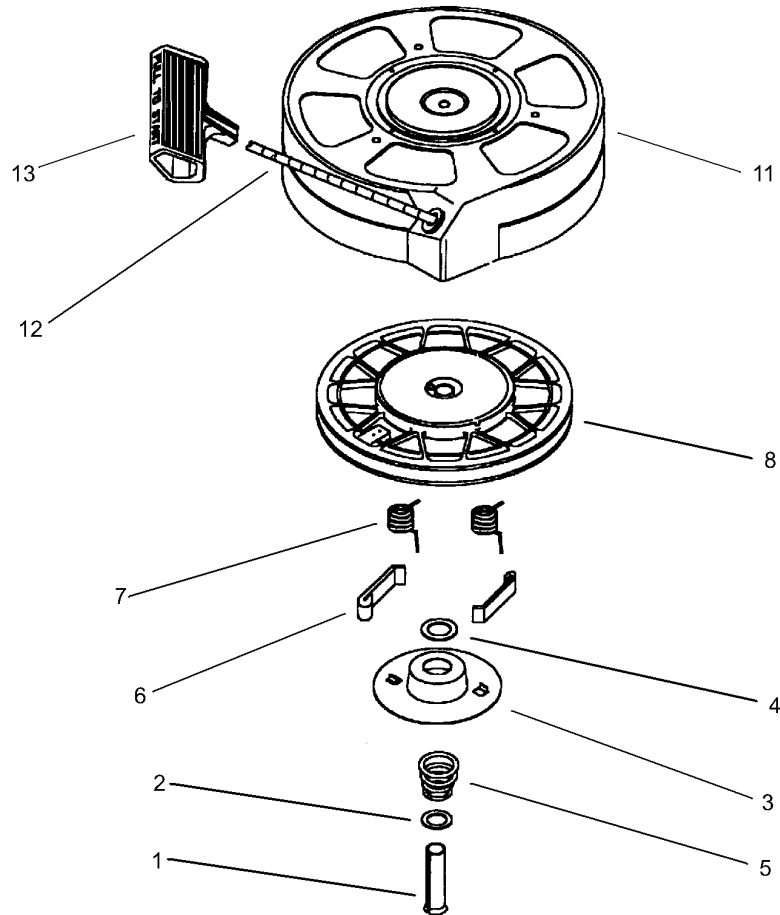
Ref	Part No.	Qty.	Description
②0	640303	1	Carburetor (Incl. 184 Of Engine Parts List)
②1	631615	1	Throttle Shaft & Lever ASM
②2	631767	1	Throttle Return Spring
②4	631184	1	Dust Seal Washer
②5	631183	1	Dust Seal
②6	640070	1	Throttle Shutter
②7	650506	1	Shutter Screw
②16	631807	1	Fuel Fitting
②17	651025	1	Throttle Crack Screw/idle Speed Screw
②18	630766	1	Tension Spring
②20	640018	1	Idle Restrictor Screw
②20A	640200	1	Idle Restrictor Screw Cap
②25	631867	1	Float Bowl
②27	631024	1	Float Shaft
②28	632802	1	Float (Plastic)
②29	631028	1	Float Bowl O-Ring
②30	632807	1	Inlet Needle, Seat, & Clip (Incl. 31)
②31	631022	1	Spring Clip
②35	640259	1	Primer Bulb(Red)/retainer Ring
②36	640019	1	Main Nozzle Tube
②36A	632766	1	Bowl Vent Tube Extension
②37	632547	2	O-Ring, Main Nozzle Tube

Ref	Part No.	Qty.	Description
②40	640087	1	High Speed Bowl Nut
②44	27110A	1	Bowl Nut Washer
②47	630748	1	Welch Plug, Idle Mixture Well
②48	631027	2	Welch Plug, Atmospheric Vent
②60	632809	1	Repair Kit



## Rewind Starter Assembly No. 590739 Tecumseh Model No. LV195EA-362003B

Ref	Part No.	Qty.	Description
20	590739	1	Rewind Starter (Note: This Engine Could Have Been Built With 590702 Starter.)
23	590740	1	Retainer
26	590616	2	Starter Dog
27	590617	2	Dog Spring
28	590618A	1	Pulley & Rewind Spring ASM
211	590638A	1	Starter Housing ASM (40 Degree Grommet)
212	590535	1	Starter Rope ( 98in X 9/64in Dia.)
213	590701	1	Starter Handle
214	590760	1	Spring Clip



## Recoil Starter (Optional) No. 590702 Tecumseh Model No. LV195EA-362003B

Ref	Part No.	Qty.	Description				
②0	590702	1	Recoil Starter				
②1	590599A	1	Spring Pin (Incl. 4)				
②2	590600	1	Washer				
②3	590696	1	Retainer				
②4	590601	1	Washer				
②5	590697	1	Brake Spring				
②6	590698	2	Starter Dog				
②7	590699	2	Dog Spring				
②8	590700	1	Pulley & Rewind Spring Asm.				
②11	590703A	1	Starter Housing Asm. (40 Degree Grommet)				
②12	590535	1	Starter Rope ( 98in X 9/64in Dia.)				
②13	590701	1	Starter Handle				

## NOTES

