



Count on it.

Parts Catalog

**TimeCutter® MX3400T Zero Turn
Riding Mower**

Model No. 75730TA—Serial No. 420300000 and Up



Ordering Replacement Parts

To order replacement parts, please supply the part number, the quantity, and the description of each part desired.

Understanding Reference Numbers

Each identified part in an illustration has a reference number. The reference number for a part also appears in the parts list, along with other information about the part.

This catalog uses two special reference number formats, one to indicate parts in a service assembly and another to indicate the quantity of a given part in an illustration.

Service Assembly Reference Numbers

Parts in service assemblies have reference numbers in the form a:b. The a represents the reference number of the entire service assembly and the b represents a sequential number unique to each part within the service assembly.

For example, a wheel assembly might be identified by reference number 6, the tire by 6:1, the valve by 6:2, and the wheel by 6:3. When you order the assembly identified by reference number 6, you receive all parts identified by reference numbers 6:1, 6:2, and 6:3. However, you may also order any part individually. Reference numbers of this type appear in illustration and in parts lists.

Reference Numbers Indicating Quantity

In an illustration, if a reference number indicates more than one part, the reference number has the form nX y. The n represents the quantity of the part, the X is the multiplication symbol, and the y represents the reference number.

For example, in an illustration, the reference number 2X 37 means that two of the parts identified by reference number 37 are indicated.

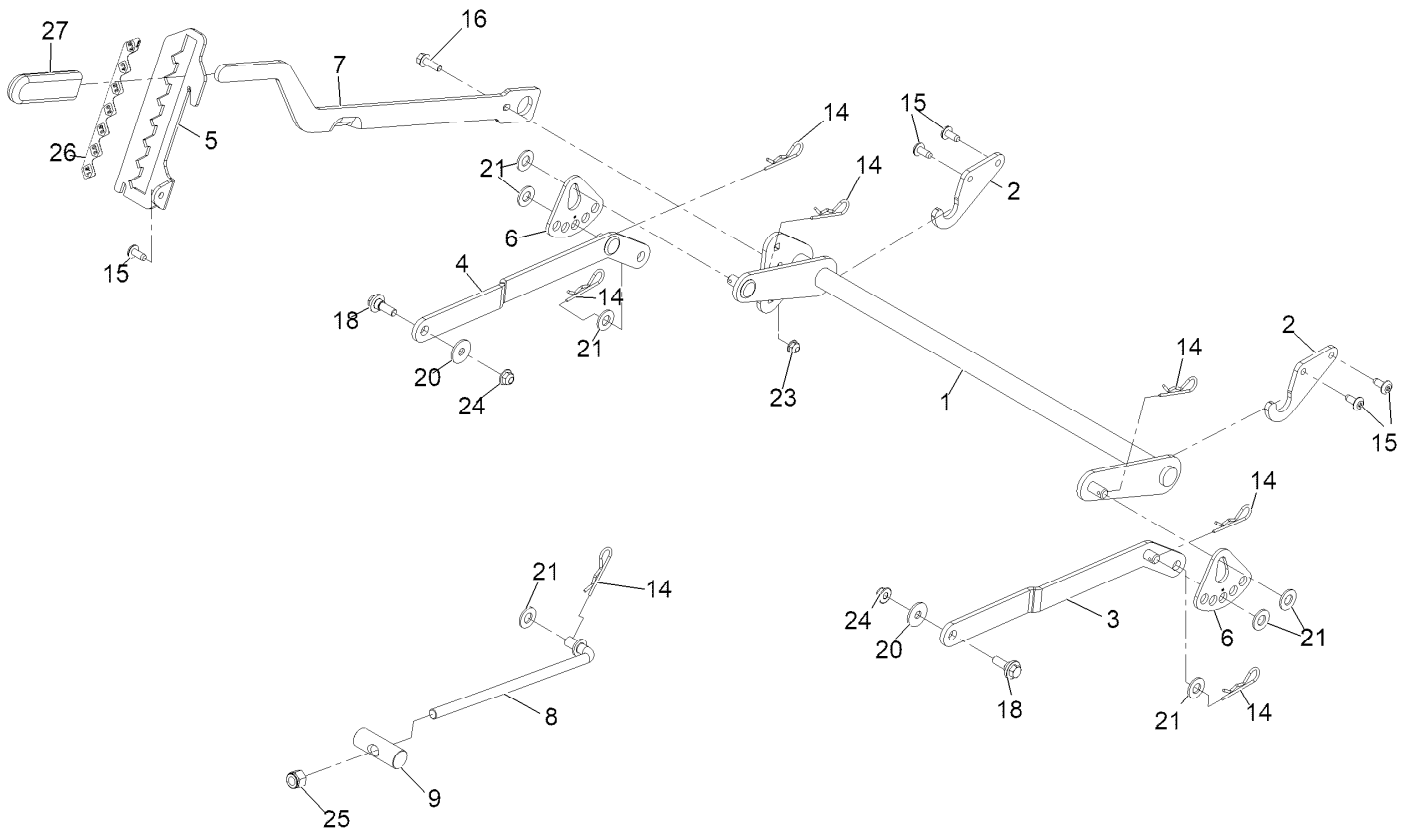
Contents

| | |
|---|----|
| Frame Assembly | 4 |
| Deck Lift Assembly | 6 |
| Tire and Caster Assembly | 8 |
| Traction Drive Assembly | 10 |
| LH Hydro Transmission Assembly No. 139-7450 | 12 |
| RH Hydro Transmission Assembly No. 139-7451 | 14 |
| Brake Assembly | 16 |
| Tire Assembly | 18 |
| Seat Pan Assembly | 20 |
| Seat Assembly No. 147-5157 | 22 |
| Motion Control Assembly | 24 |
| Engine and Muffler Assembly | 26 |
| Fuel System Assembly | 28 |
| Electrical Assembly | 30 |
| 34 Inch Deck and Decal Assembly | 32 |
| Model Specific Decal Assembly | 34 |
| Clutch Assembly | 36 |
| Attachments and Accessories | 38 |

Frame Assembly (continued)

| <i>Ref.</i> | <i>Part Number</i> | <i>Qty.</i> | <i>Description</i> | <i>Ref.</i> | <i>Part Number</i> | <i>Qty.</i> | <i>Description</i> |
|-------------|--------------------|-------------|----------------------------|-------------|--------------------|-------------|--------------------|
| 1 | 137-9820-01 | 1 | Frame Assembly | 17 | 138-7200 | 2 | Cap-Grease |
| 2 | 140-5045 | 1 | Pan-Floor ASM | 18 | 117-1232-03 | 1 | Bracket-Hitch |
| 2:2 | 144-5288 | 1 | Decal-Warning | 20 | 139-5890 | 1 | Decal-Timecutter |
| 3 | 138-7520-01 | 2 | Plate-Mount, Hydro | 21 | 139-2387 | 1 | Decal-Timecutter |
| 5 | 137-7020-01 | 1 | Mount-Hydro, Front (Right) | 22 | 121-2989 | 2 | Decal-Bypass |
| 6 | 139-3211-01 | 1 | Mount-Hydro, Front (Left) | 26 | 138-9753 | 20 | Screw |
| 7 | 138-9791-01 | 1 | Brace-Cross | 27 | 139-2429 | 4 | Screw-HHF |
| 9 | 138-0867-03 | 1 | Guard-Muffler | 28 | 3234-29 | 14 | Screw-HHF |
| 10 | 138-6036-03 | 1 | Support-Seat | 30 | 139-2428 | 4 | Screw-HWH |
| 11 | 138-2548 | 2 | Spring-Compression | 32 | 139-2430 | 4 | Nut-HF, NI |
| 12 | 138-9820-03 | 1 | Guard-Engine | 33 | 119-4041 | 14 | Nut-HF |
| 14 | 138-9827-01 | 1 | Footrest | 35 | 139-3220 | 1 | Tread-Step |
| 15 | 163-6006 | 2 | Axle-Stub | 36 | 701178 | 2 | Cap-Protector |
| 15:2 | 109-3678 | 2 | Bearing-Ball | | | | |

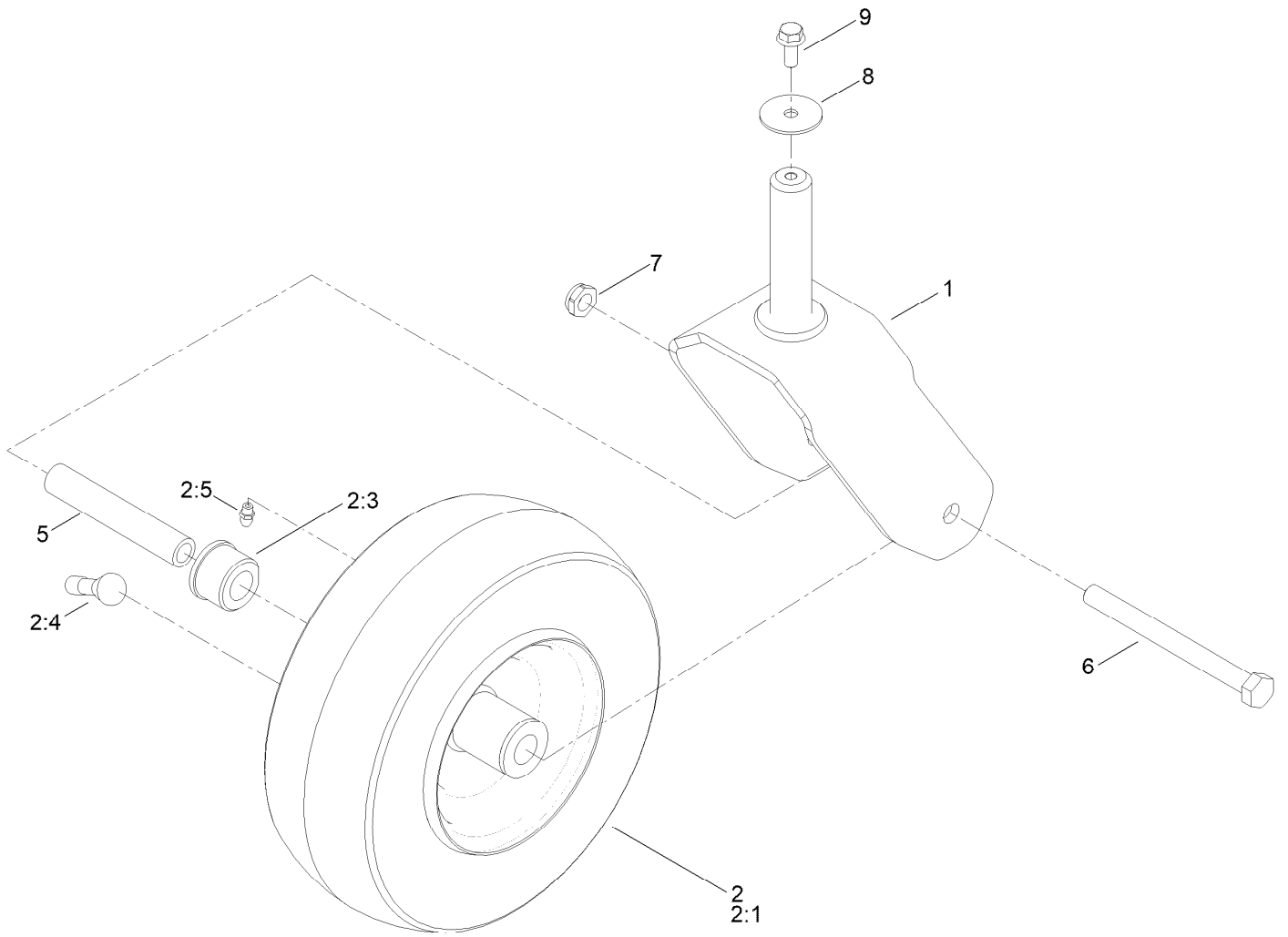
Deck Lift Assembly



Deck Lift Assembly (continued)

| <i>Ref.</i> | <i>Part Number</i> | <i>Qty.</i> | <i>Description</i> | <i>Ref.</i> | <i>Part Number</i> | <i>Qty.</i> | <i>Description</i> |
|-------------|--------------------|-------------|---------------------------------------|-------------|--------------------|-------------|--------------------------------|
| 1 | 137-7093-03 | 1 | Deck Lift ASM | 16 | 3234-29 | 1 | Screw-HH Flg 5/16-18 X 1 |
| 2 | 138-6021 | 2 | Bracket-Pivot, Decklift | 18 | 137-9847 | 2 | Screw-Shoulder 3/8-16 X .88 |
| 3 | 137-9844 | 1 | LH Arm ASM | 20 | 93-8806 | 2 | Washer-Hardened |
| 4 | 137-9846 | 1 | RH Arm ASM | 21 | 3256-26 | 7 | Washer-1/2 SAE |
| 5 | 139-2350-01 | 1 | Bracket-HOC | 23 | 119-4041 | 1 | Nut-HF |
| 6 | 138-2564 | 2 | Plate-Adjustment, HOC | 24 | 119-4042 | 2 | Nut-HF, NI |
| 7 | 137-7087-03 | 1 | Lever-Lift | 25 | 3296-19 | 1 | Nut-Nyloc 1/2-20 |
| 8 | 138-6050 | 1 | Rod-Mount, Deck | 26 | 139-2392 | 1 | Decal-HOC |
| 9 | 119-8810 | 1 | Pin-Pivot | 27 | 1-633268 | 1 | Grip-Lever |
| 14 | 1-806005 | 7 | Hairpin-Cotter | | | | |
| 15 | 138-9753 | 5 | Screw-Button Head 5/16-18 X 3/4 Tf | | | | |

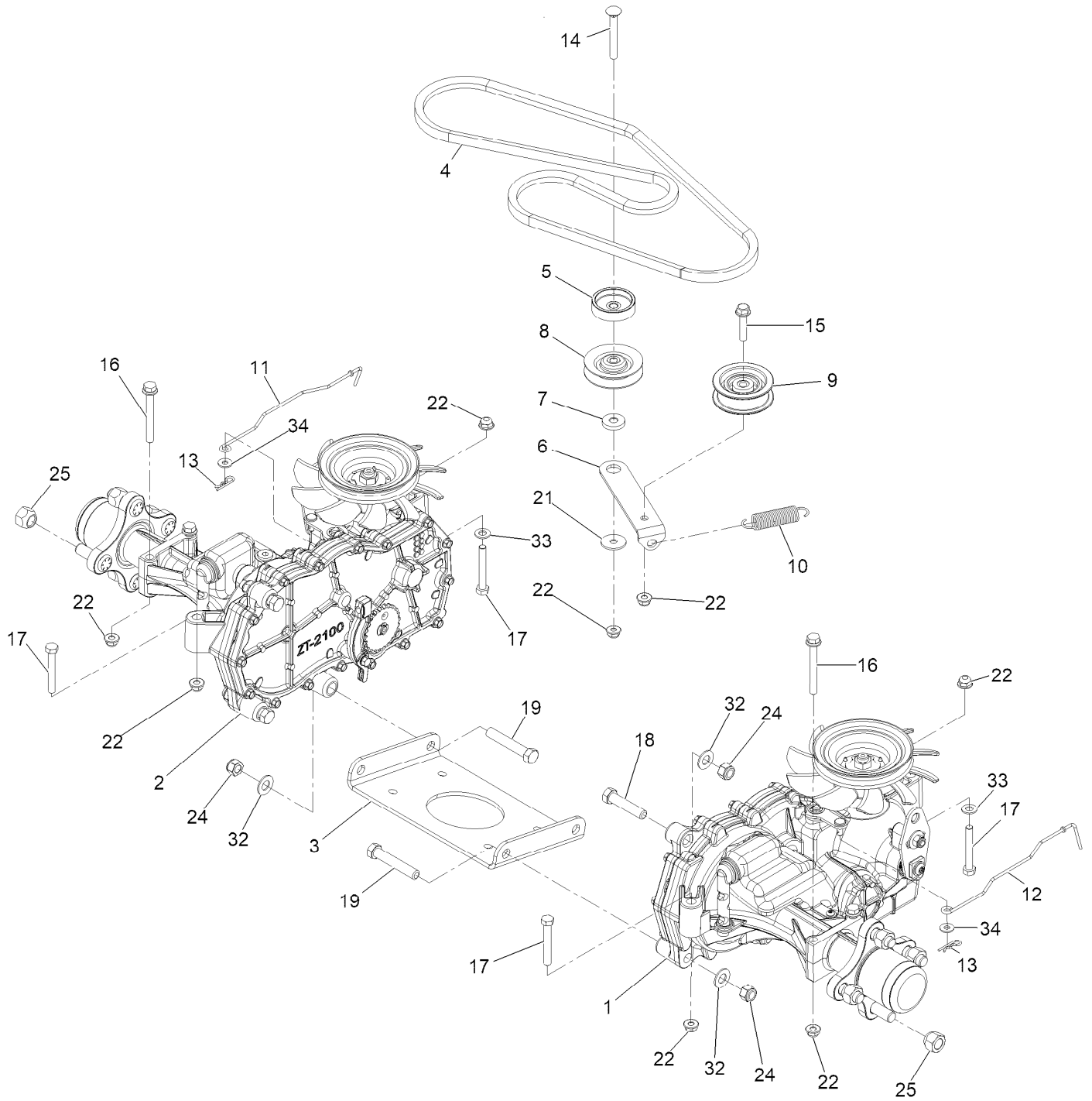
Tire and Caster Assembly



Tire and Caster Assembly (continued)

| <i>Ref.</i> | <i>Part Number</i> | <i>Qty.</i> | <i>Description</i> | <i>Ref.</i> | <i>Part Number</i> | <i>Qty.</i> | <i>Description</i> |
|-------------|--------------------|-------------|--------------------|-------------|--------------------|-------------|--------------------|
| 1 | 139-3274-01 | 2 | Fork ASM | 5 | 138-7240 | 2 | Bushing-Spanner |
| 2 | 147-2935 | 2 | Tire ASM | 6 | 325-22 | 2 | Screw-HH |
| 2:1 | 147-2936 | 1 | Tire | 7 | 3296-45 | 2 | Nut-Hex |
| 2:3 | 114-1640 | 2 | Bushing-Flange | 8 | 3256-68 | 2 | Washer-Flat |
| 2:4 | 232-27 | 1 | Stem-Valve | 9 | 3234-47 | 2 | Screw-HHF |
| 2:5 | 302-5 | 1 | Fitting-Grease | | | | |

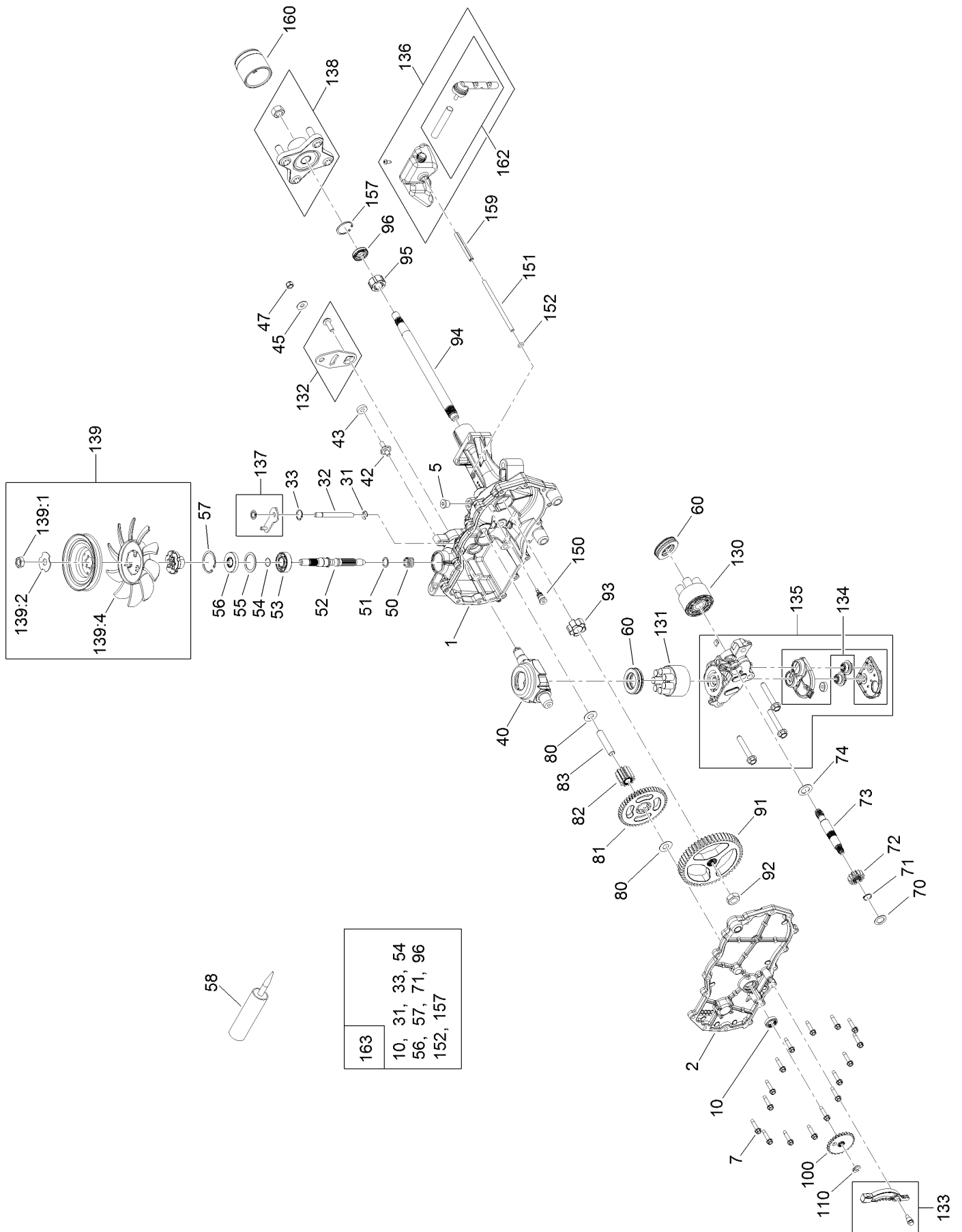
Traction Drive Assembly



Traction Drive Assembly (continued)

| <i>Ref.</i> | <i>Part Number</i> | <i>Qty.</i> | <i>Description</i> | <i>Ref.</i> | <i>Part Number</i> | <i>Qty.</i> | <i>Description</i> |
|-------------|--------------------|-------------|-------------------------------|-------------|--------------------|-------------|----------------------------------|
| 1 | 139-7450 | 1 | LH Hydro Transaxle ASM | 15 | 115-1794 | 1 | Screw-Hex Flange 5/16-18 X 1 1/2 |
| 2 | 139-7451 | 1 | RH Hydro Transaxle ASM | 16 | 138-7590 | 4 | Screw-HHF |
| 3 | 138-2571-03 | 1 | Crossplate-Hydro | 17 | 322-11 | 4 | Screw-HH 5/16-18 X 2 1/4 |
| 4 | 139-2399 | 1 | V-Belt | 18 | 324-8 | 2 | Screw-HH |
| 5 | 138-9809 | 1 | Spacer | 19 | 324-10 | 4 | Screw-HH 7/16-14 X 2 1/2 |
| 6 | 138-7276 | 1 | Arm-Idler | 21 | 5-4460 | 1 | Washer-Pivot |
| 7 | 138-7277 | 1 | Spacer-Arm, Idler | 22 | 119-4041 | 10 | Nut-HF |
| 8 | 68-0030 | 1 | Idler | 24 | 3296-48 | 6 | Nut-Nyloc 7/16-14 |
| 9 | 138-7597 | 1 | Pulley-Idler, Flat | 25 | 139-2564 | 8 | Nut-Lug |
| 10 | 137-7040 | 1 | Spring-Return, Pedal | 32 | 3256-25 | 6 | Washer-7/16 SAE |
| 11 | 138-7245 | 1 | Rod-Bypass, RH | 33 | 3256-23 | 2 | Washer-5/16 SAE |
| 12 | 138-7243 | 1 | Rod-Bypass, LH | 34 | 119-8952 | 2 | Washer-Spcl |
| 13 | 3290-307 | 2 | Pin-Cotter | | | | |
| 14 | 3230-8 | 1 | Bolt-Carriage 5/16-18 X 2 1/2 | | | | |

LH Hydro Transmission Assembly No. 139-7450



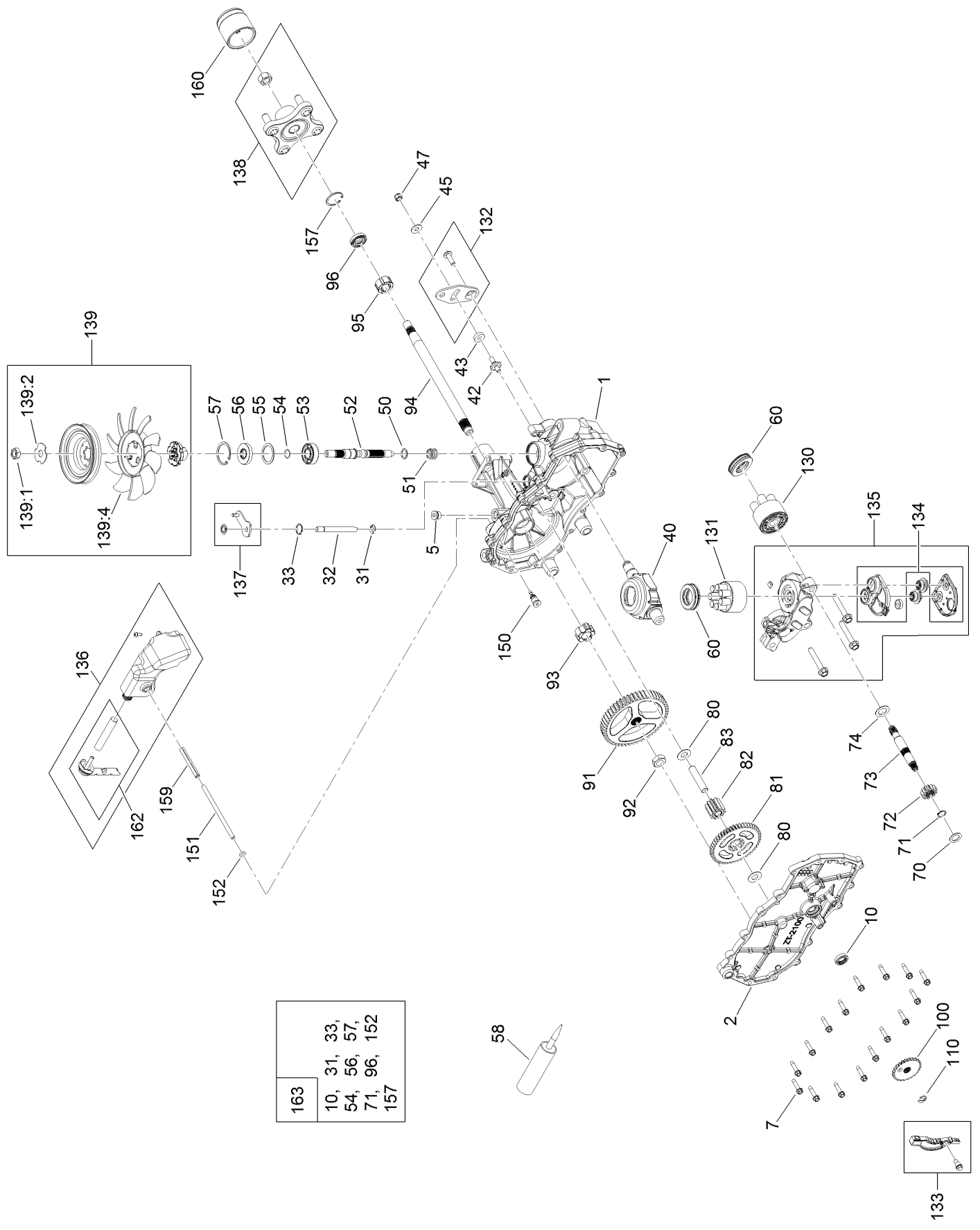
- | |
|----------------|
| 163 |
| 10, 31, 33, 54 |
| 56, 57, 71, 96 |
| 152, 157 |

LH Hydro Transmission Assembly No. 139-7450 (continued)

| <i>Ref.</i> | <i>Part Number</i> | <i>Qty.</i> | <i>Description</i> | <i>Ref.</i> | <i>Part Number</i> | <i>Qty.</i> | <i>Description</i> |
|-------------|--------------------|-------------|--|-------------|--------------------|-------------|---------------------------|
| 1 | 120-5532 | 1 | Main Housing ASM | 80 | 119-5541 | 1 | *obs* Washer |
| 2 | 120-5534 | 1 | Housing Side Kit | 81 | 104-5317 | 1 | Gear-10T/48T |
| 5 | 104-2189 | 1 | Plug-Thread, Straight | 82 | 104-5318 | 1 | Gear-Jackshaft, 10T |
| 7 | 117-5359 | 16 | Screw-HHF | 83 | 104-5329 | 1 | Pin-Jackshaft |
| 10 | 104-2147 | 1 | Sealant, Silicone - Non-Flammable ● | 91 | 120-5539 | 1 | Gear-Bull |
| 31 | 106-8677 | 1 | Ring-Retaining, External | 92 | 104-2142 | 1 | Nut-HJ |
| 32 | 106-8678 | 1 | Rod-Bypass | 93 | 115-8314 | 1 | Bushing-Inboard |
| 33 | 106-8679 | 1 | Ring-Retaining, Internal | 94 | 120-5540 | 1 | Shaft-Axle |
| 40 | 104-5304 | 1 | Swashplate-Trunnion | 95 | 120-5541 | 1 | Bearing-Sleeve |
| 42 | 104-2116 | 1 | Stud | 100 | 106-8694 | 1 | Disc-Brake, Cog |
| 43 | 112-9853 | 1 | Puck-Friction | 110 | 106-8677 | 1 | Ring-Retaining, External |
| 50 | 133-1793 | 1 | Spring-Block | 130 | 103-2666 | 1 | Cylinder Block Kit |
| 51 | 120-5538 | 1 | Washer | 131 | 110-8561 | 1 | Pump Block ASM |
| 52 | 104-5306 | 1 | Shaft-Input | 132 | 117-5362 | 1 | Control Arm Kit |
| 53 | 104-5311 | 1 | Bearing-Ball | 133 | 106-8688 | 1 | Brake Arm Kit |
| 54 | 104-5307 | 1 | Ring-Retaining | 134 | 112-9861 | 1 | Center Section Filter Kit |
| 55 | 104-5308 | 1 | Spacer | 135 | 114-1634 | 1 | Filter Kit |
| 56 | 104-5310 | 1 | Seal-Lip | 136 | 121-5730 | 1 | RH Expansion Tank Kit |
| 57 | 104-5309 | 1 | Ring-Retaining | 137 | 120-5549 | 1 | Bypass Kit |
| 58 | 104-2147 | 1 | Sealant, Silicone - Non-Flammable | 138 | 121-5731 | 1 | Hub Kit |
| 60 | 94-6922 | 2 | Bearing-Thrust | 139 | 135-7349 | 1 | Fan And Pulley Kit |
| 70 | 104-5339 | 1 | Washer-Flat | 150 | 104-5349 | 1 | Fitting-SAE |
| 71 | 104-5340 | 1 | Ring-Retaining | 151 | 115-8302 | 1 | Hose |
| 72 | 104-5316 | 1 | Gear-Pinnion, 13T | 152 | 104-5361 | 1 | O-Ring |
| 73 | 106-8683 | 1 | Shaft-Motor | 159 | 121-5728 | 1 | Case-Tube |
| 74 | 104-5360 | 1 | Washer | 160 | 125-0041 | 1 | Cap-Axle |
| | | | | 162 | 139-3278 | 1 | Breather ASM Kit |
| | | | | 163 | 120-7103 | 1 | Seal And Ring Kit |

● Not illustrated

RH Hydro Transmission Assembly No. 139-7451



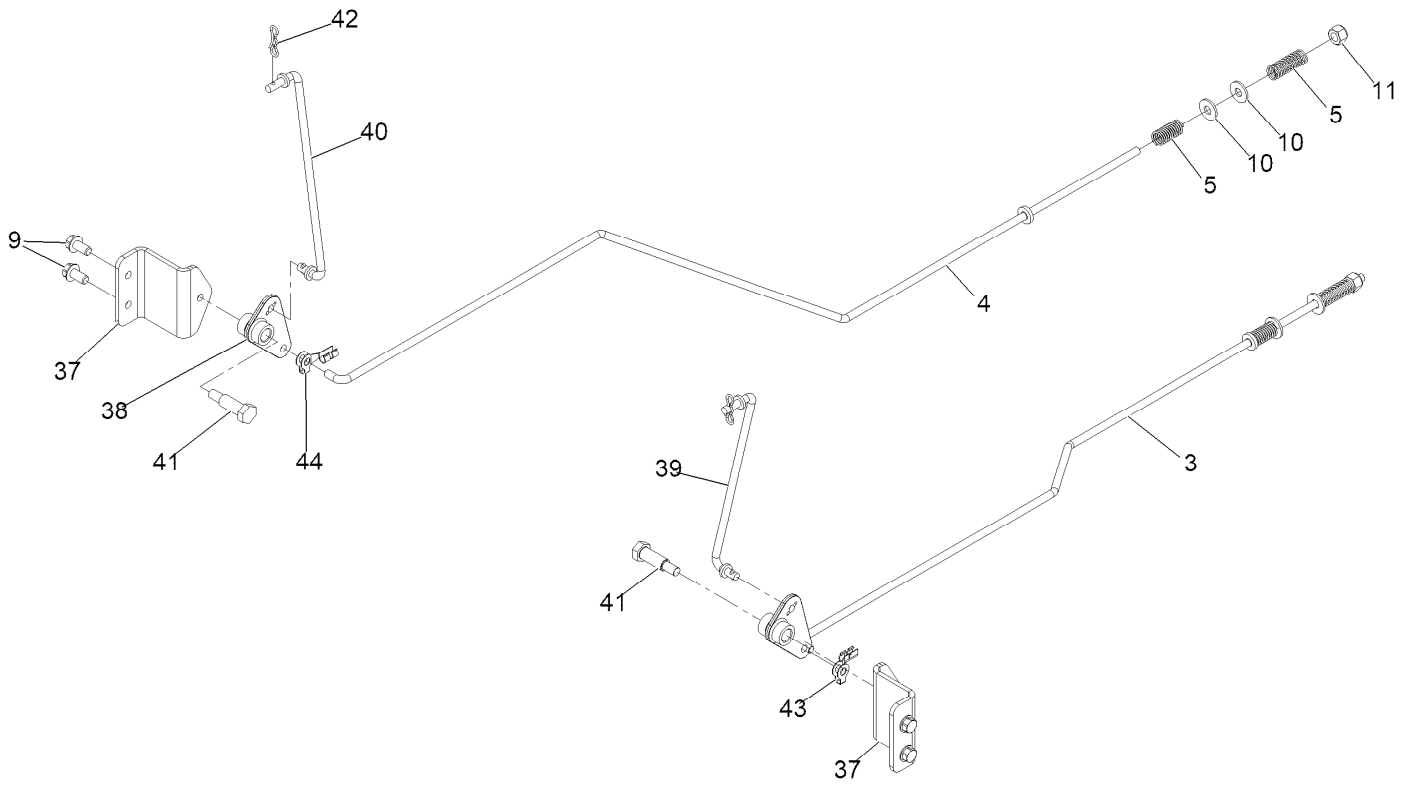
| | |
|-----|--|
| 163 | 10, 31, 33, 54, 56, 57, 71, 96, 152 157 |
|-----|--|

RH Hydro Transmission Assembly No. 139-7451 (continued)

| <i>Ref.</i> | <i>Part Number</i> | <i>Qty.</i> | <i>Description</i> | <i>Ref.</i> | <i>Part Number</i> | <i>Qty.</i> | <i>Description</i> |
|-------------|--------------------|-------------|--|-------------|--------------------|-------------|---------------------------|
| 1 | 120-5531 | 1 | Main Housing ASM | 80 | 119-5541 | 1 | *obs* Washer |
| 2 | 120-5533 | 1 | Housing Side Kit | 81 | 104-5317 | 1 | Gear-10T/48T |
| 5 | 104-2189 | 1 | Plug-Thread, Straight | 82 | 104-5318 | 1 | Gear-Jackshaft, 10T |
| 7 | 117-5359 | 16 | Screw-HHF | 83 | 104-5329 | 1 | Pin-Jackshaft |
| 10 | 104-2147 | 1 | Sealant, Silicone - Non-Flammable ● | 91 | 120-5539 | 1 | Gear-Bull |
| 31 | 106-8677 | 2 | Ring-Retaining, External | 92 | 104-2142 | 1 | Nut-HJ |
| 32 | 106-8678 | 1 | Rod-Bypass | 93 | 115-8314 | 1 | Bushing-Inboard |
| 33 | 106-8679 | 1 | Ring-Retaining, Internal | 94 | 120-5540 | 1 | Shaft-Axle |
| 40 | 104-5304 | 1 | Swashplate-Trunnion | 95 | 120-5541 | 1 | Bearing-Sleeve |
| 42 | 104-2116 | 1 | Stud | 100 | 106-8694 | 1 | Disc-Brake, Cog |
| 43 | 112-9853 | 1 | Puck-Friction | 110 | 106-8677 | 1 | Ring-Retaining, External |
| 51 | 133-1793 | 1 | Spring-Block | 130 | 103-2666 | 1 | Cylinder Block Kit |
| 51 | 120-5538 | 1 | Washer | 131 | 110-8561 | 1 | Pump Block ASM |
| 52 | 104-5306 | 1 | Shaft-Input | 132 | 117-5362 | 1 | Control Arm Kit |
| 53 | 104-5311 | 1 | Bearing-Ball | 133 | 106-8688 | 1 | Brake Arm Kit |
| 54 | 104-5307 | 1 | Ring-Retaining | 134 | 112-9862 | 1 | Center Section Filter Kit |
| 55 | 104-5308 | 1 | Spacer | 135 | 114-1634 | 1 | Filter Kit |
| 56 | 104-5310 | 1 | Seal-Lip | 136 | 121-5735 | 1 | LH Expansion Tank Kit |
| 57 | 104-5309 | 1 | Ring-Retaining | 137 | 107-2489 | 1 | Bypass Arm Kit |
| 58 | 104-2147 | 1 | Sealant, Silicone - Non-Flammable | 138 | 121-5731 | 1 | Hub Kit |
| 60 | 94-6922 | 2 | Bearing-Thrust | 139 | 135-7349 | 1 | Fan And Pulley Kit |
| 70 | 104-5339 | 1 | Washer-Flat | 150 | 104-5349 | 1 | Fitting-SAE |
| 71 | 104-5340 | 1 | Ring-Retaining | 151 | 115-8302 | 1 | Hose |
| 72 | 104-5316 | 1 | Gear-Pinnion, 13T | 152 | 104-5361 | 1 | O-Ring |
| 73 | 106-8683 | 1 | Shaft-Motor | 159 | 121-5728 | 1 | Case-Tube |
| 74 | 104-5360 | 1 | Washer | 160 | 125-0041 | 1 | Cap-Axle |
| | | | | 162 | 139-3278 | 1 | Breather ASM Kit |
| | | | | 163 | 120-7103 | 1 | Seal And Ring Kit |

● Not illustrated

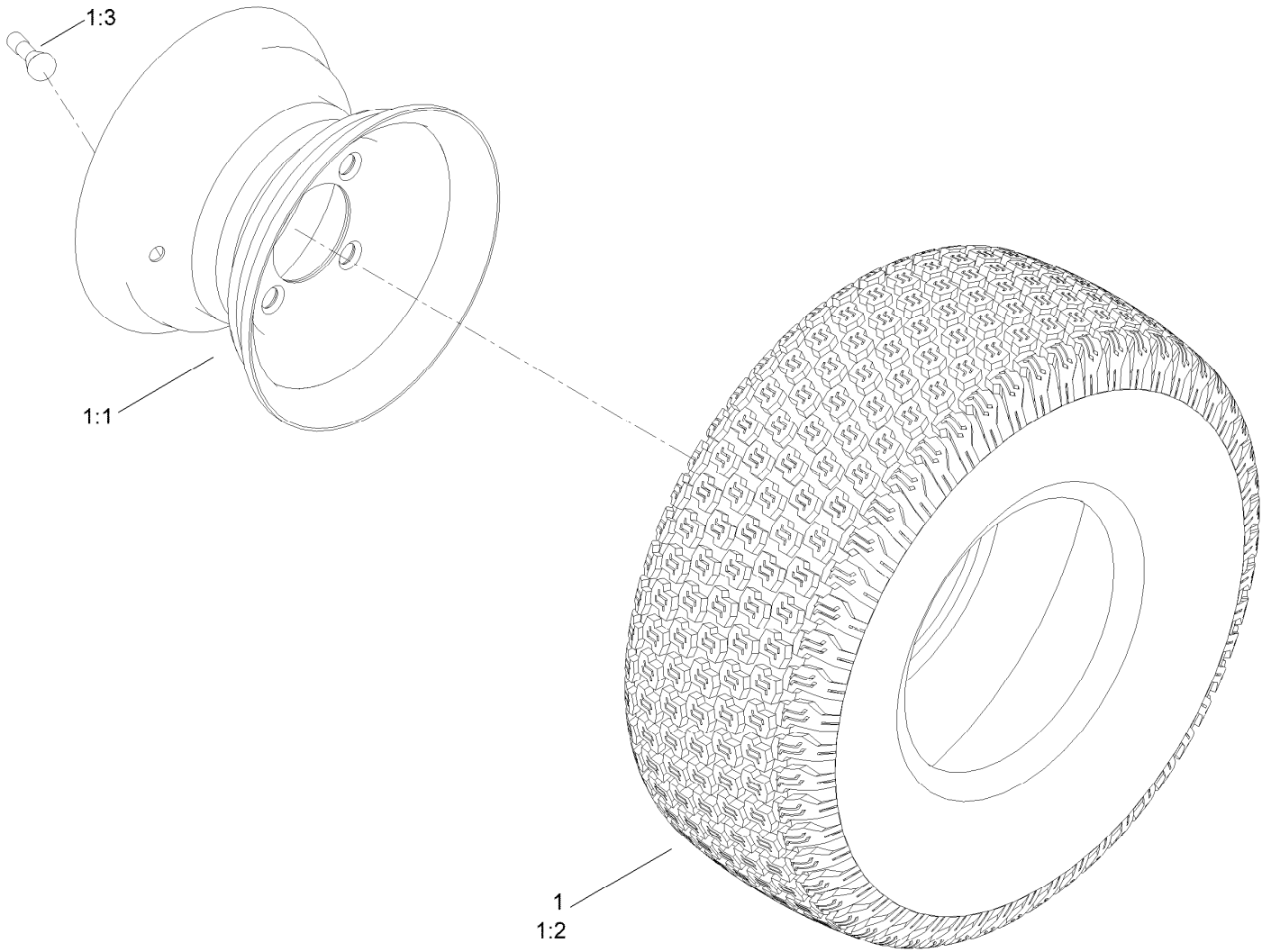
Brake Assembly



Brake Assembly (continued)

| <i>Ref.</i> | <i>Part Number</i> | <i>Qty.</i> | <i>Description</i> | <i>Ref.</i> | <i>Part Number</i> | <i>Qty.</i> | <i>Description</i> |
|-------------|--------------------|-------------|-----------------------------------|-------------|--------------------|-------------|--------------------------|
| 3 | 161-6561 | 1 | Rod-Brake, LH | 38 | 161-6420 | 2 | Bellcrank |
| 4 | 161-6562 | 1 | Rod-Brake, RH | 39 | 161-6563 | 1 | Link-Brake, LH |
| 5 | 117-1169 | 4 | Spring-Compression | 40 | 161-6564 | 1 | Link-Brake, RH |
| 9 | 32144-4 | 4 | Screw-HWH 1/4-20 X 1/2 Taptite | 41 | 145-6364 | 2 | Bolt-Shoulder |
| 10 | 119-8952 | 4 | Washer-Spcl | 42 | 119-1414 | 2 | Pin-Cotter, Locking |
| 11 | 3296-42 | 2 | Nut-Nyloc 1/4-20 | 43 | 144-1816 | 1 | Clip-Rod, LH (7L, 1/4In) |
| 37 | 163-6018 | 2 | Mount-Bellcrank, Brake | 44 | 144-1815 | 1 | Clip-Rod, RH (7R, 1/4In) |

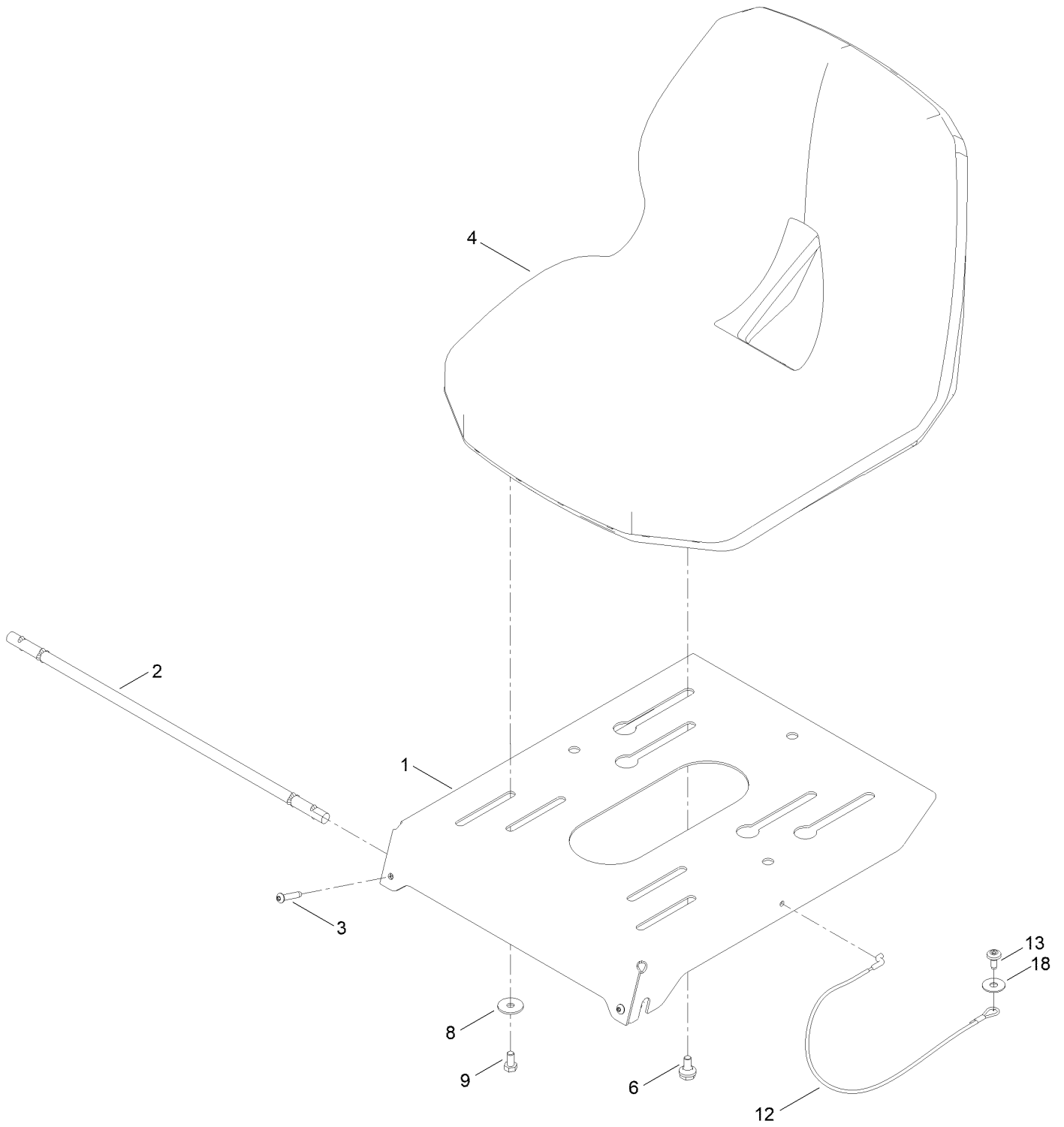
Tire Assembly



Tire Assembly (continued)

| <i>Ref.</i> | <i>Part Number</i> | <i>Qty.</i> | <i>Description</i> | <i>Ref.</i> | <i>Part Number</i> | <i>Qty.</i> | <i>Description</i> |
|-------------|--------------------|-------------|--------------------|-------------|--------------------|-------------|--------------------|
| 1 | 140-5021 | 2 | Tire ASM | 1:2 | 140-5129 | 1 | Tire |
| 1:1 | 140-5022 | 1 | Wheel | 1:3 | 232-27 | 1 | Stem-Valve |

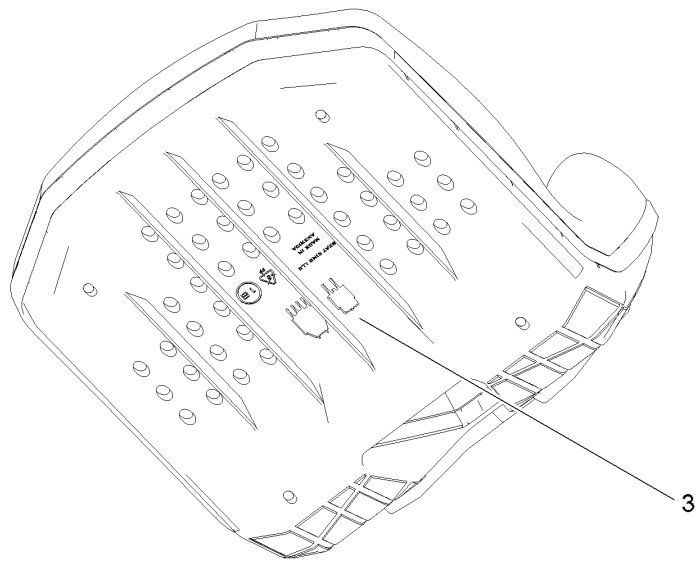
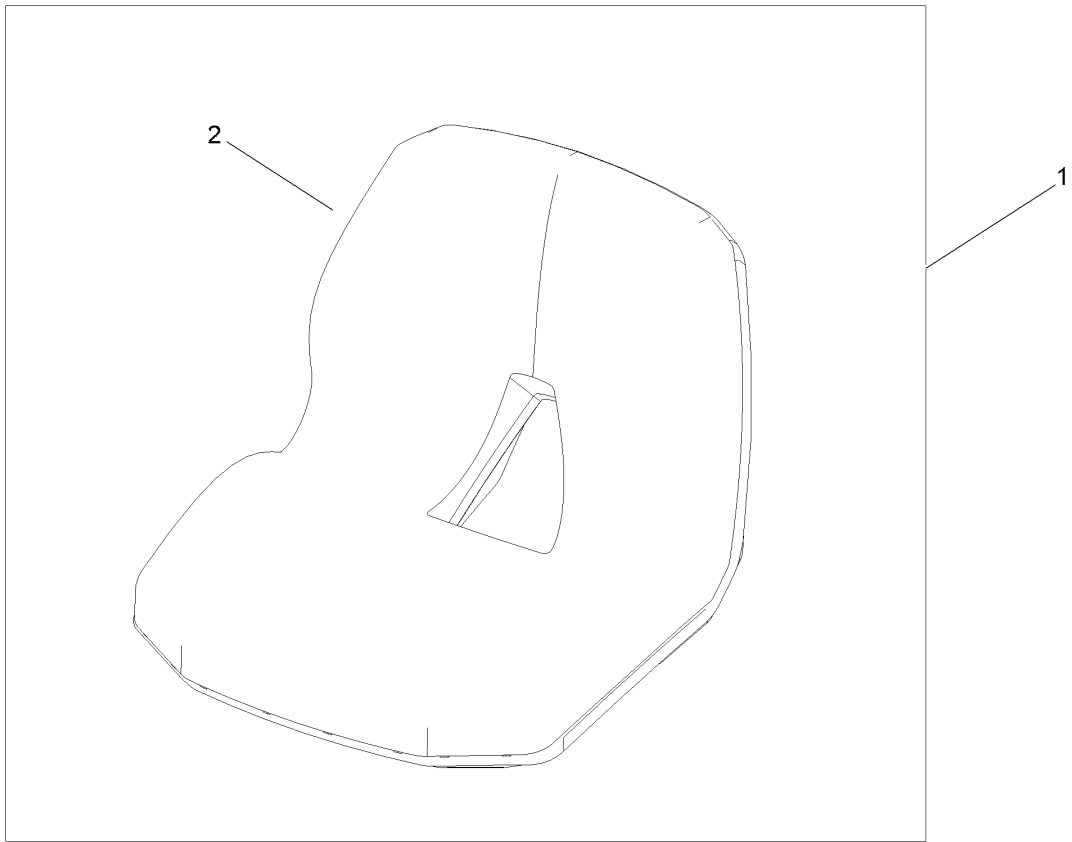
Seat Pan Assembly



Seat Pan Assembly (continued)

| <i>Ref.</i> | <i>Part Number</i> | <i>Qty.</i> | <i>Description</i> | <i>Ref.</i> | <i>Part Number</i> | <i>Qty.</i> | <i>Description</i> |
|-------------|--------------------|-------------|--------------------|-------------|--------------------|-------------|--------------------|
| 1 | 138-9781-03 | 1 | Pan-Seat | 8 | 5-4460 | 2 | Washer-Pivot |
| 2 | 138-7555 | 1 | Rod-Pivot | 9 | 322-2 | 2 | Screw-HH |
| 3 | 108-0035 | 2 | Screw | 12 | 139-2398 | 1 | Cable-Lanyard |
| 4 | 147-5157 | 1 | Seat-16 In | 13 | 120-7950 | 1 | Screw-Torx |
| 6 | 37-8771 | 2 | Bolt-Shoulder, HF | 18 | 147-5287 | 1 | Washer-Flat |

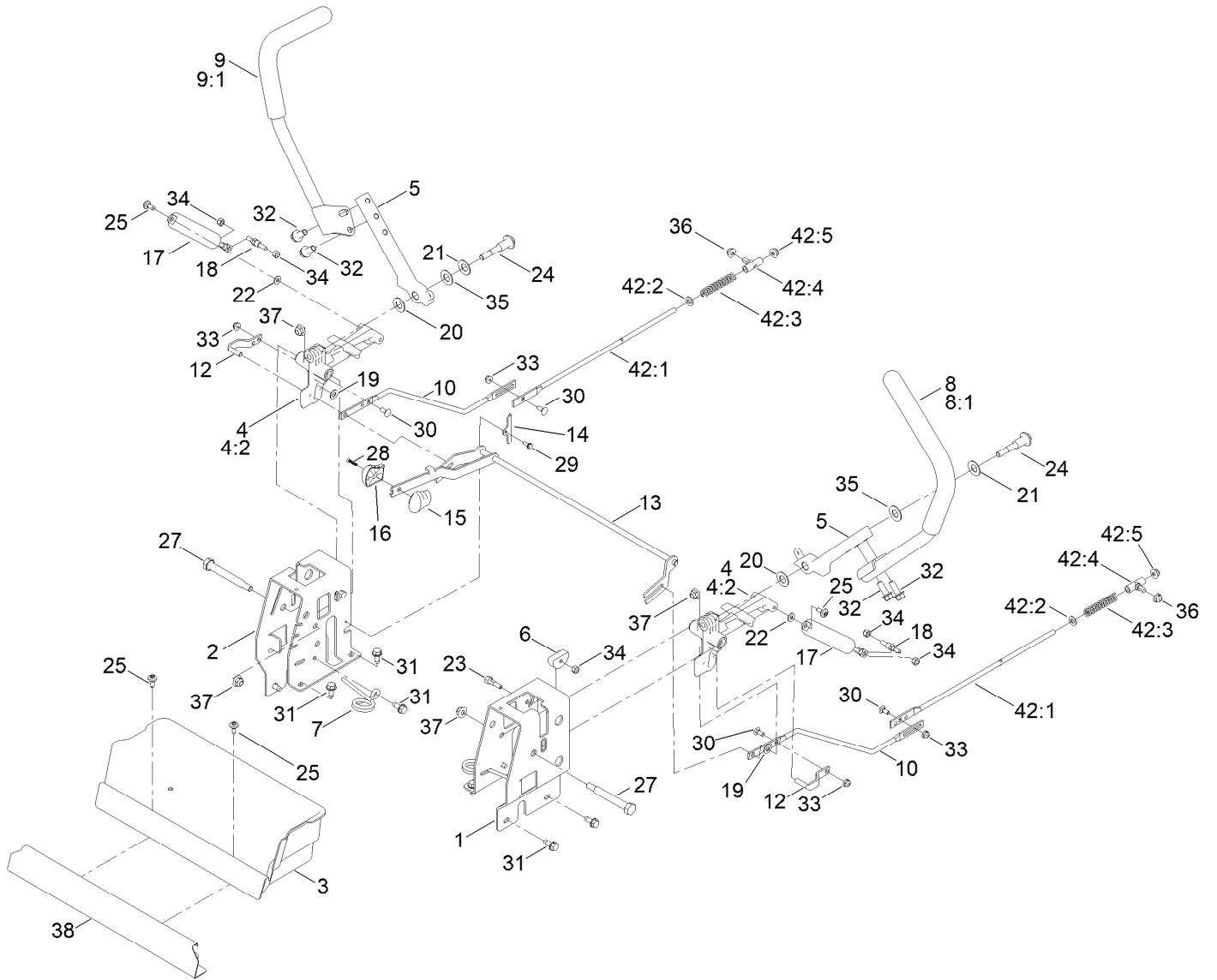
Seat Assembly No. 147-5157



Seat Assembly No. 147-5157 (continued)

| <i>Ref.</i> | <i>Part Number</i> | <i>Qty.</i> | <i>Description</i> |
|-------------|--------------------|-------------|--------------------|
| 1 | 139-5891 | 1 | Seat-16 In |
| 2 | 147-2983 | 1 | Cover-Seat |
| 3 | 82-2190 | 1 | Switch-Bail |

Motion Control Assembly



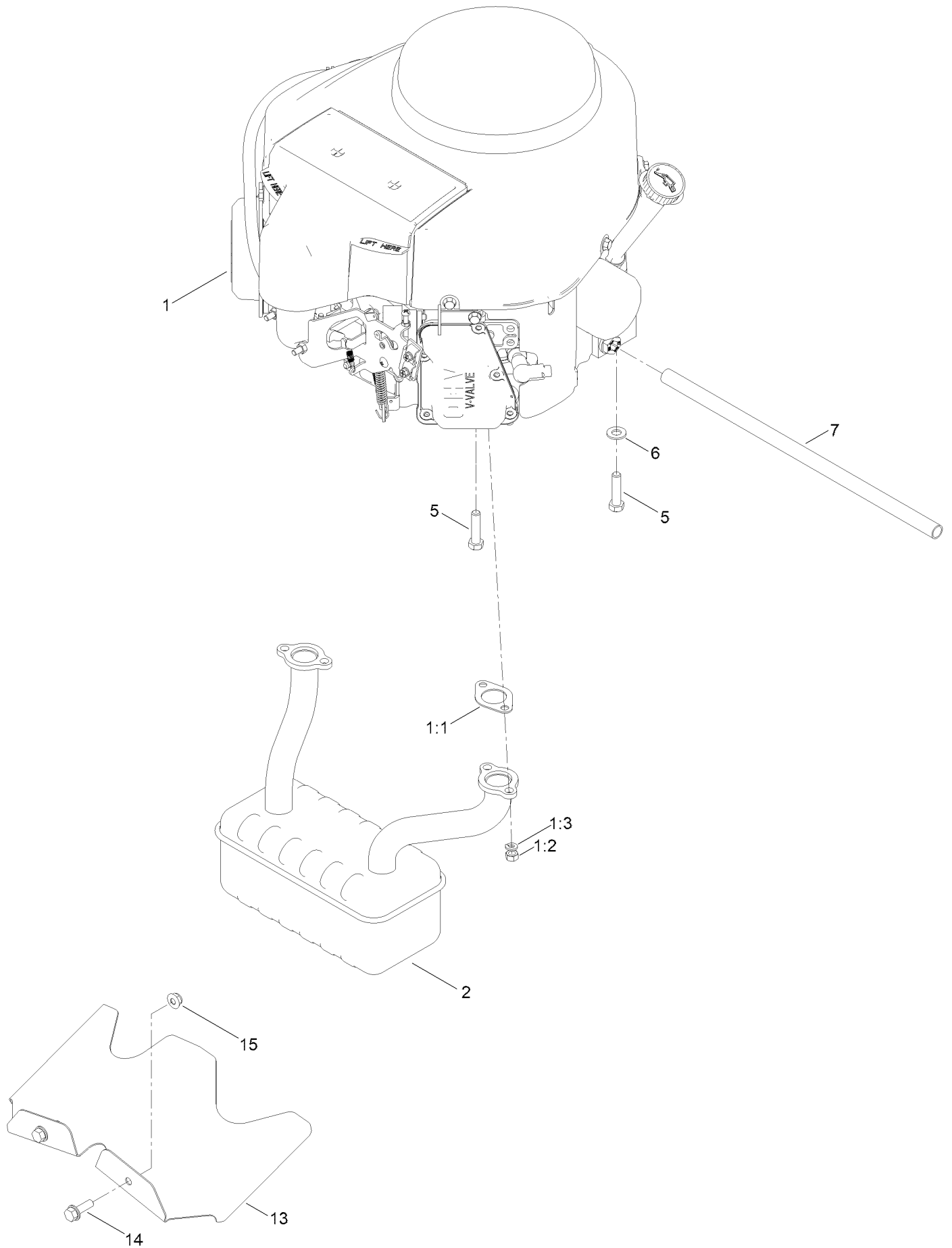
Motion Control Assembly (continued)

| <i>Ref.</i> | <i>Part Number</i> | <i>Qty.</i> | <i>Description</i> | <i>Ref.</i> | <i>Part Number</i> | <i>Qty.</i> | <i>Description</i> |
|-------------|--------------------|-------------|-----------------------|-------------|--------------------|-------------|-----------------------|
| 1 | 163-6075-03 | 1 | Plate-Control Box, LH | 22 | 119-8952 | 2 | Washer-Spcl |
| 2 | 163-6076-03 | 1 | Plate-Control Box, RH | 23 | 139-5811 | 2 | Bolt-Pivot, Eccentric |
| 3 | 145-0421 | 1 | Box-Storage | 24 | 117-1198 | 2 | Bolt-Pivot |
| 4 | 119-3470 | 2 | Actuator Arm ASM | 25 | 120-7950 | 4 | Screw-Torx |
| 4:2 | 256-156 | 2 | Bushing-Flange | 27 | 115-5099 | 2 | Bolt-Pivot |
| 5 | 163-3142-05 | 2 | Arm-Control | 28 | 94-4496 | 1 | Screw-PPH |
| 6 | 139-5803 | 2 | Eccentric | 29 | 32144-1 | 2 | Screw-Taptite |
| 7 | 138-7539 | 2 | Spring-Torsion | 30 | 3229-11 | 4 | Screw-CARR |
| 8 | 133-7055 | 1 | Handle-Control, LH | 31 | 138-9753 | 10 | Screw |
| 8:1 | 121-0726 | 1 | Grip | 32 | 3234-42 | 4 | Screw-HHF |
| 9 | 133-7057 | 1 | Handle-Control, RH | 33 | 104-7201 | 4 | Nut-HF, NI |
| 9:1 | 121-0726 | 1 | Grip | 34 | 3296-42 | 6 | Nut-Lock, NI |
| 10 | 138-2580 | 2 | Rod-Hydro, Front | 35 | 117-1240 | 2 | Washer |
| 12 | 121-1753 | 2 | Pin-Rod, Hydro | 36 | 119-4041 | 2 | Nut-HF |
| 13 | 138-9750 | 1 | Speed Control ASM | 37 | 119-4042 | 4 | Nut-HF, NI |
| 14 | 138-7541 | 2 | Plate-Retainer | 38 | 139-3280-01 | 1 | Plate-Kick |
| 15 | 132-9368 | 1 | Knob-RH | 42 | | 2 | Rod Hydro ASM ●■ |
| 16 | 132-9369 | 1 | Knob-LH | 42:1 | 144-1818 | 1 | Rod-Hydro, Rear |
| 17 | 132-6853 | 2 | Damper-Non Cavitating | 42:2 | 120-9683 | 1 | Washer-Plain |
| 18 | 138-7215 | 2 | Stud-Damper | 42:3 | 138-7252 | 1 | Spring-Compression |
| 19 | 93-6079 | 2 | Spacer-Nylon | 42:4 | 138-7218 | 1 | Mount-Rod, Hydro |
| 20 | 120-2273 | 2 | Washer-Flat | 42:5 | 119-4041 | 1 | Nut-HF |
| 21 | 119-8925 | 2 | Washer-Belleville | | | | |

● Not illustrated

■ Not serviced separately

Engine and Muffler Assembly



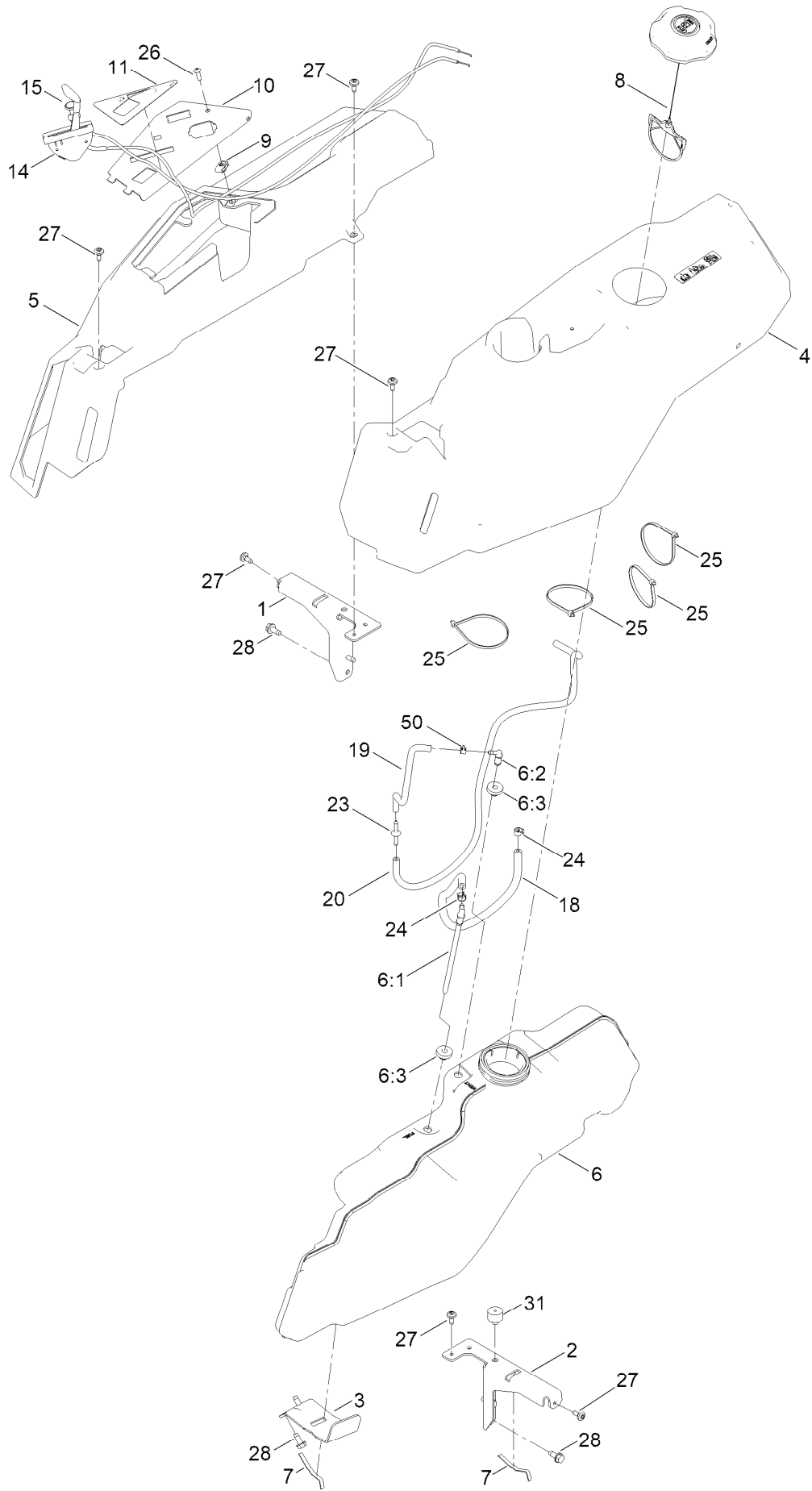
Engine and Muffler Assembly (continued)

| <i>Ref.</i> | <i>Part Number</i> | <i>Qty.</i> | <i>Description</i> | <i>Ref.</i> | <i>Part Number</i> | <i>Qty.</i> | <i>Description</i> |
|-------------|--------------------|-------------|---------------------------|-------------|--------------------|-------------|--------------------|
| 1 | | 1 | Engine-Kawasaki, Fr600V ● | 5 | 323-50 | 4 | Bolt-HH |
| | | | ■ | 6 | 3256-24 | 3 | Washer-Plain |
| 1:1 | 1-653313 | 2 | Gasket-Exhaust | 7 | 106-7022 | 1 | Tube-Drain, Oil |
| 1:2 | 114-3549 | 4 | Nut | 13 | 140-5126-03 | 1 | Shield-Heat |
| 1:3 | 114-3550 | 4 | Washer-Lock | 14 | 3234-29 | 2 | Screw-HHF |
| 2 | 139-5866 | 1 | Muffler | 15 | 119-4041 | 2 | Nut-HF |

● Not serviced separately

■ Obtain parts from www.kawpower.com

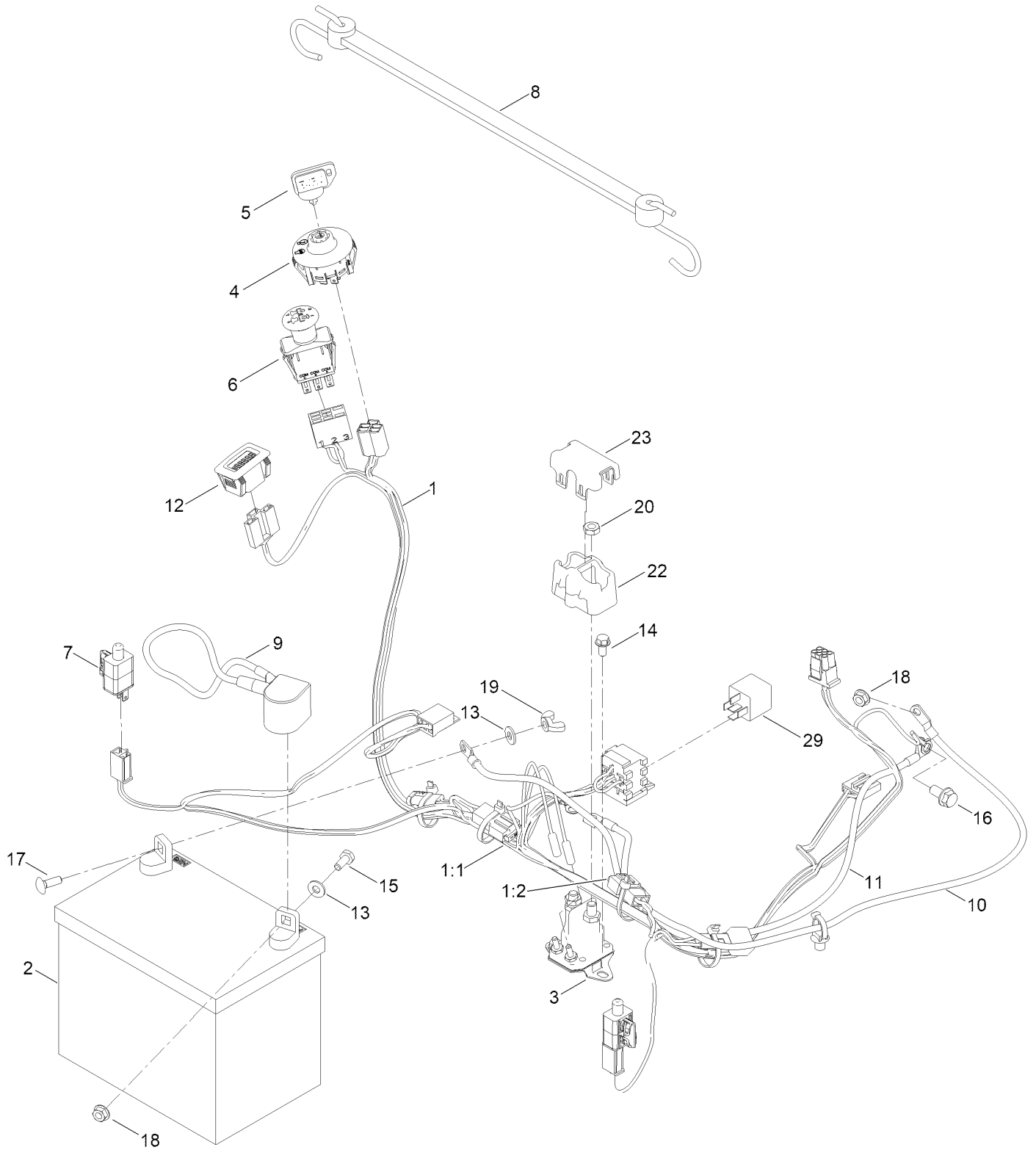
Fuel System Assembly



Fuel System Assembly (continued)

| <i>Ref.</i> | <i>Part Number</i> | <i>Qty.</i> | <i>Description</i> | <i>Ref.</i> | <i>Part Number</i> | <i>Qty.</i> | <i>Description</i> |
|-------------|--------------------|-------------|-------------------------|-------------|--------------------|-------------|--------------------|
| 1 | 138-6070-03 | 1 | Support-Pod, RH | 14 | 147-7695 | 1 | Cable-Throttle |
| 2 | 138-6071-03 | 1 | Support-Pod, LH | 15 | 139-2402 | 1 | Cable-Choke |
| 3 | 139-3271-03 | 1 | Support-Tank, Fuel | 18 | 109-0299 | 1 | Hose-Fuel |
| 4 | 138-6074 | 1 | Pod-LH | 19 | 136-6345 | 1 | Hose-Fuel |
| 5 | 138-6075 | 1 | Pod-RH | 20 | 110-3958 | 1 | Hose-Fuel |
| 6 | 144-5304 | 1 | Tank-Fuel ASM | 23 | 144-1983 | 1 | Adapter Orifice |
| 6:1 | 139-1091 | 1 | Connector-Elbow, 90 DEG | 24 | 2412-98 | 2 | Clamp-Hose |
| 6:2 | 144-5302 | 1 | Fitting-Elbow 90 | 25 | 614249 | 4 | Tie-Cable |
| 6:3 | 46-6560 | 2 | Bushing | 26 | 3258-166 | 1 | Screw-PRH |
| 7 | 609830 | 2 | Spring | 27 | 120-7950 | 6 | Screw-Torx |
| 8 | 137-4119 | 1 | Cap-Fuel, Ratcheting | 28 | 138-9753 | 6 | Screw |
| 9 | 107069 | 1 | Clip | 31 | 120-7893 | 1 | Bumper-Grommet |
| 10 | 139-2380-03 | 1 | Panel - Control | 50 | 2412-80 | 1 | Clamp-Hose |
| 11 | 140-2717 | 1 | Decal-Panel Control | | | | |

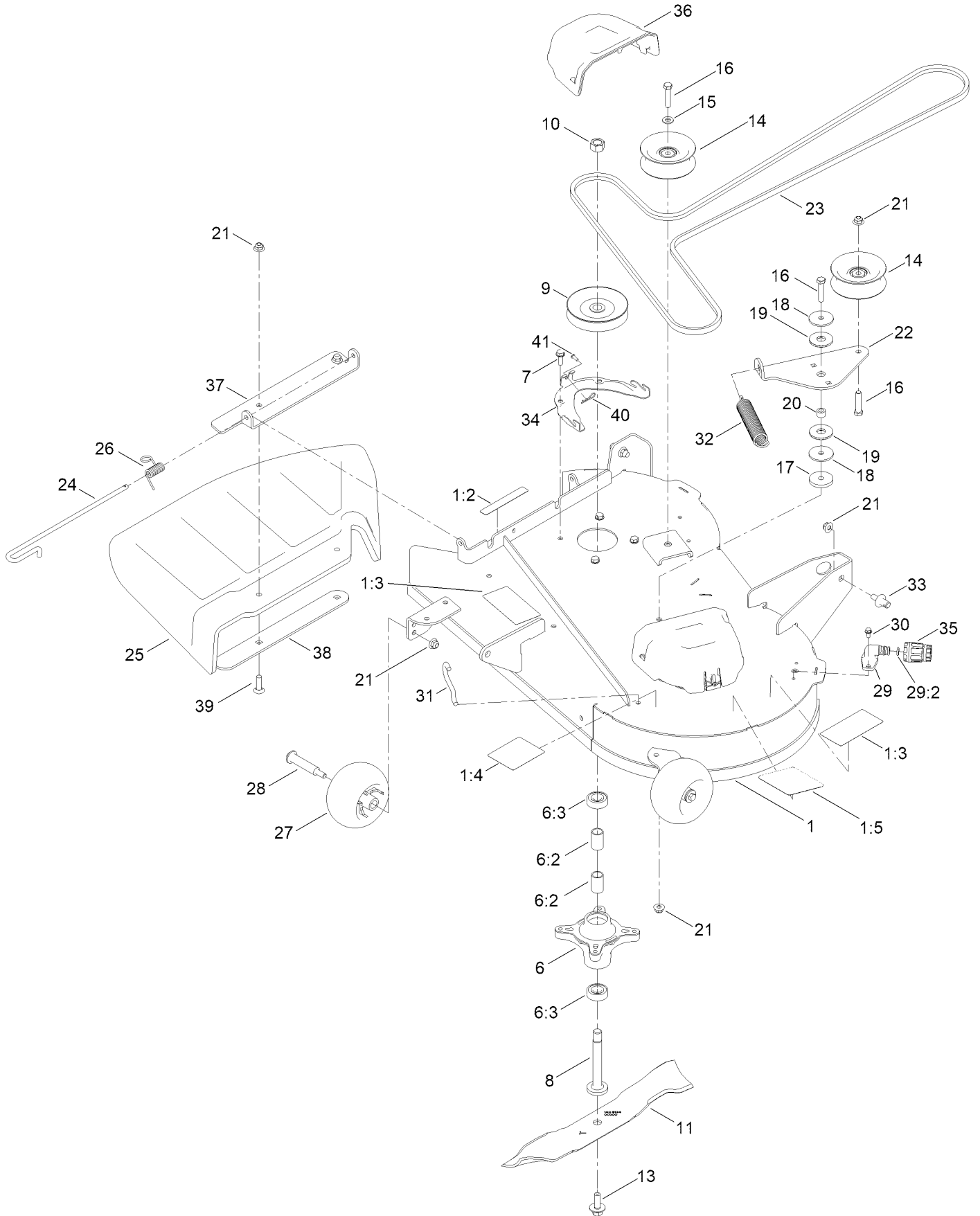
Electrical Assembly



Electrical Assembly (continued)

| <i>Ref.</i> | <i>Part Number</i> | <i>Qty.</i> | <i>Description</i> | <i>Ref.</i> | <i>Part Number</i> | <i>Qty.</i> | <i>Description</i> |
|-------------|--------------------|-------------|------------------------------|-------------|--------------------|-------------|----------------------|
| 1 | 161-6631 | 1 | Harness-Wire, Main | 11 | 110-6793 | 1 | Cable-Battery, Black |
| 1:1 | 109355 | 1 | Fuse-Blade, 15 Amp | 12 | 139-6404 | 1 | Hour Meter |
| 1:2 | 109102 | 1 | Fuse-Blade, 25 Amp | 13 | 3256-22 | 2 | Washer-Flat |
| 2 | 105-1692 | 1 | Battery- Dry, 12V, 230 CCA | 14 | 32144-4 | 2 | Screw-HWH |
| 3 | 117-1197 | 1 | Solenoid | 15 | 321-3 | 1 | Screw-HH |
| 4 | 137-4100 | 1 | Switch-Ignition | 16 | 33104-016 | 1 | Screw-HHF |
| 5 | 63-8360 | 1 | Key-Ignition | 17 | 3229-1 | 1 | Screw-CARR |
| 6 | 103-5221 | 1 | Switch-PTO | 18 | 32128-33 | 2 | Nut-HF |
| 7 | 110-6765 | 2 | Switch | 19 | 32103-22 | 1 | Nut-Wing |
| 8 | 139-2381 | 1 | Strap-Rubber | 20 | 3220-2 | 2 | Nut-Hex Jam |
| 9 | 140-2713 | 1 | Cable-Battery, Pos | 22 | 140-2080 | 1 | Cover-Solenoid |
| 10 | 139-2431 | 1 | Cable-Battery, Red (8 Gauge) | 23 | 140-2081 | 1 | Cap-Solenoid |
| | | | | 29 | 1-643275 | 1 | Relay |

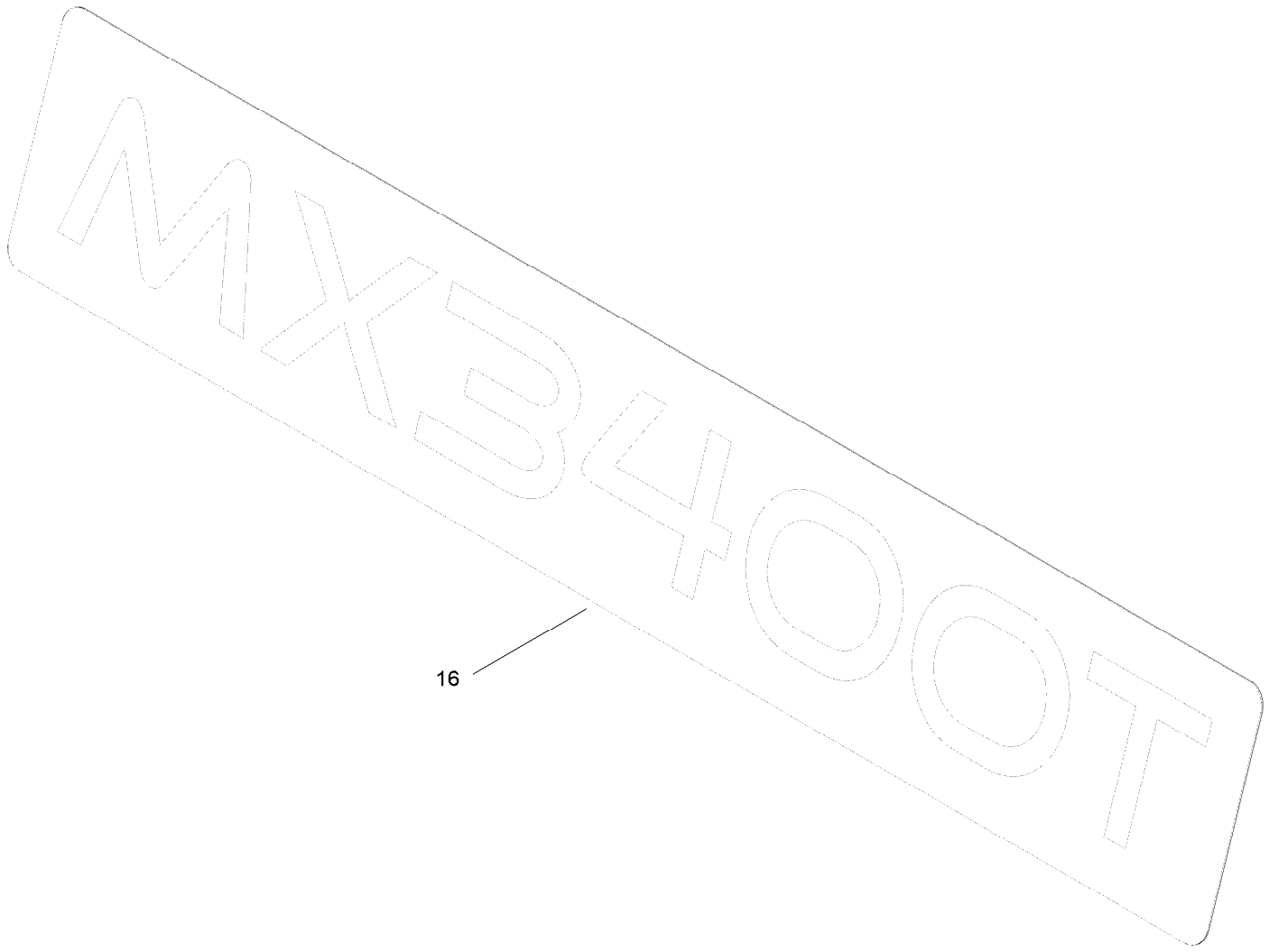
34 Inch Deck and Decal Assembly



34 Inch Deck and Decal Assembly (continued)

| <i>Ref.</i> | <i>Part Number</i> | <i>Qty.</i> | <i>Description</i> | <i>Ref.</i> | <i>Part Number</i> | <i>Qty.</i> | <i>Description</i> |
|-------------|--------------------|-------------|-------------------------------|-------------|--------------------|-------------|-------------------------|
| 1 | 140-5140 | 1 | 34 Inch Deck And Decal ASM | 21 | 119-4042 | 8 | Nut-HF, NI |
| 1:2 | 130-0731 | 1 | Decal-Danger | 22 | 138-7262 | 1 | Arm-Idler (Mty/Wdm) |
| 1:3 | 132-0872 | 2 | Decal-Danger, Deck | 23 | 140-5141 | 1 | Belt-V |
| 1:4 | 105-7015 | 1 | Decal-Routing, Belt | 24 | 138-7231 | 1 | Pin-Chute |
| 1:5 | 140-5144 | 1 | Decal-Deck | 25 | 140-3548 | 1 | Deflector-Rubber |
| 6 | 139-3214 | 2 | Spindle ASM | 26 | 138-7232 | 1 | Spring-Torsion |
| 6:2 | 120-7935 | 2 | Spacer | 27 | 1-603299 | 2 | Roller-Scalp, Anti |
| 6:3 | 138-9770 | 2 | Bearing-Ball | 28 | 112-3977 | 2 | Bolt-Shoulder |
| 7 | 32144-41 | 8 | Screw-Taptite | 29 | 133-9289 | 1 | Fitting-Washout |
| 8 | 117-7268 | 2 | Shaft-Spindle | 29:2 | 133-9290 | 1 | O-Ring |
| 9 | 127-0098 | 2 | Pulley ASM | 30 | 32144-4 | 2 | Screw-HWH |
| 10 | 3219-6 | 2 | Nut-Hex | 31 | 138-7267 | 1 | Hook-Spring, Return |
| 11 | 140-5134-03 | 2 | Blade 17.50 [black] | 32 | 138-7265 | 1 | Spring Extension |
| 13 | 145-0411 | 2 | Bolt-Blade, Sems | 33 | 139-5871 | 2 | Pin-Deck |
| 14 | 132-9420 | 2 | Pulley-Idler, Flat | 34 | 139-3272-03 | 2 | Bracket-Cover, Belt |
| 15 | 3256-24 | 1 | Washer-Plain | 35 | 95-3270 | 1 | Connector-Hose |
| 16 | 323-9 | 3 | Screw-HH | 36 | 144-1905 | 2 | Cover-Belt |
| 17 | 110-9981 | 1 | Washer-Plain | 37 | 144-1956-03 | 1 | Bracket-Deflector, Top |
| 18 | 139-1726 | 2 | Washer-Rebound | 38 | 144-1957-03 | 1 | Plate-Deflector, Bottom |
| 19 | 114-0463 | 2 | Washer-Friction, Composite | 39 | 3231-28 | 2 | Screw-CARR |
| 20 | 115-4986 | 1 | Spacer | 40 | 144-1944 | 2 | Pin-Hair |
| | | | | 41 | 94-6961 | 2 | Screw |

Model Specific Decal Assembly

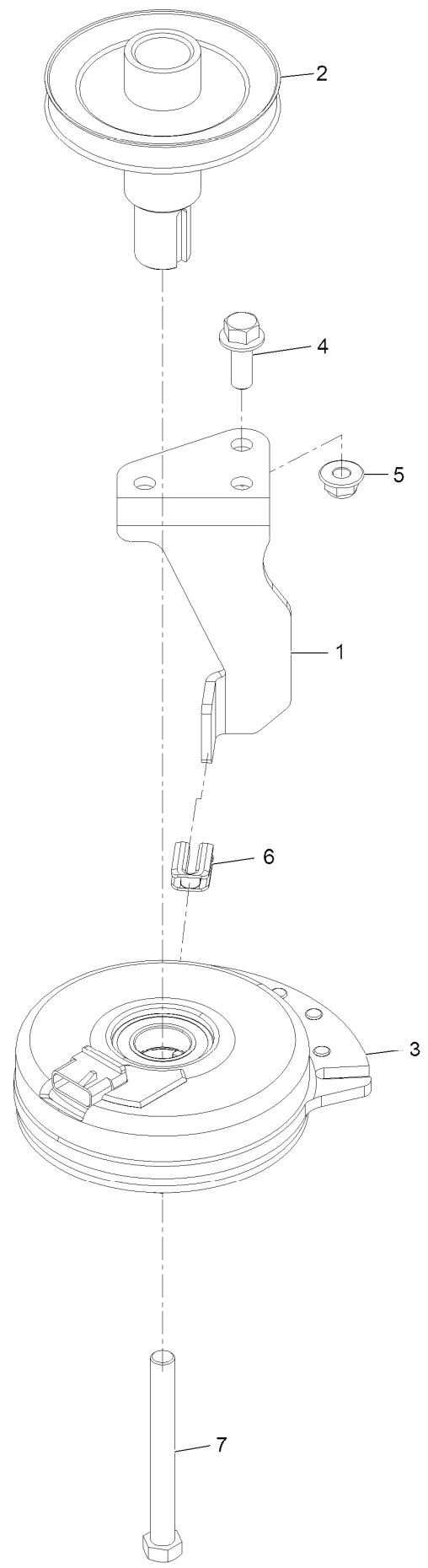


16

Model Specific Decal Assembly (continued)

| <i>Ref.</i> | <i>Part Number</i> | <i>Qty.</i> | <i>Description</i> |
|-------------|--------------------|-------------|--------------------|
| 16 | 161-4614 | 1 | Decal-Mx3400T |

Clutch Assembly



Clutch Assembly (continued)

| <i>Ref.</i> | <i>Part Number</i> | <i>Qty.</i> | <i>Description</i> | <i>Ref.</i> | <i>Part Number</i> | <i>Qty.</i> | <i>Description</i> |
|-------------|--------------------|-------------|----------------------|-------------|--------------------|-------------|----------------------|
| 1 | 138-7275 | 1 | Stop-Clutch (Narrow) | 5 | 119-4042 | 1 | Nut-HF, NI |
| 2 | 138-9792 | 1 | Pulley-Engine | 6 | 120-2217 | 1 | Isolator-Clutch |
| 3 | 117-7468 | 1 | Clutch-Electric | 7 | 3212-16 | 1 | Screw-HH 7/16-20 X 4 |
| 4 | 3234-42 | 1 | Screw HHF 3/8-16 X 1 | | | | |

Attachments and Accessories

For 75730TA — TimeCutter MX3400T Zero Turn Riding Mower

| Product Name | Model/Part |
|--|-------------------|
| 34in Residential Z Fab Bagger Gen 2 | 79417 |
| 34in Recycling Kit | 140-3536 |
| 34in Bagging Enhancement Kit..... | 140-8369 |
| 34in Striping Kit..... | 140-8374 |
| Front Weight Kit | 140-2050 |
| Assist Bar Kit | 140-2052 |
| Jack Kit | 127-6666 |
| ROPS Kit | 79485 |
| Slope Sensor Kit..... | 79486 |
| LED Light Kit..... | 140-2056 |
| Sunshade Kit | 140-2054 |
| Deluxe Seat Kit | 140-2057 |
| Armrest Kit..... | 140-2058 |
| Deck Footlift Assist Kit | 161-4527 |
| Floormat Kit | 161-4528 |
| Jack Mount Kit | 140-2711 |
| Hour Meter Kit..... | 147-8791 |
| 4-Cycle Fuel, Snow And Lawn 32oz Can | 131-3823 |
| Toro Premium Fuel Treatment 12oz Bottle..... | 131-6572 |
| 10W30 4-Cycle Engine Oil (32oz Bottle)..... | 38280 |
| Toro 4-Cycle SAE 30 Oil (32oz Bottle) | 38903 |
| Storage Cover | 490-7516 |
| Seat Cover W/O Arm Rest - TC 18in..... | 117-0096 |
| Fuel Stabilizer .05 oz | 130-2393 |
| Caster Wheel Kit..... | 161-4530 |

Notes:



Count on it.