

TORO[®]

- EN** Flex-Force Power System[®] 60V 35CM
String Trimmer
51890T
- DE** Flex-Force Power System[®] 60V 35cm
Faden-Freischneider
- ES** Desbrozadora de hilo Flex-Force Power
System[®] 60 V de 35 cm
- FR** Débroussailleuse Flex-Force Power
System[®] 60 V, 35 cm
- IT** Decespugliatore 35 cm Flex-Force Power
System[®] 60 V
- NL** Flex-Force Power System[®] 60 V 35 cm
Draadtrimmer
- NO** Flex-Force Power System[®]-trådtrimmer, 35
cm 60 V
- PL** Kosa żyłkowa Flex-Force Power System[®]
35 cm 60 V
- SV** Flex-Force Power System[®] 60 V, 35 cm
trådtrimmer



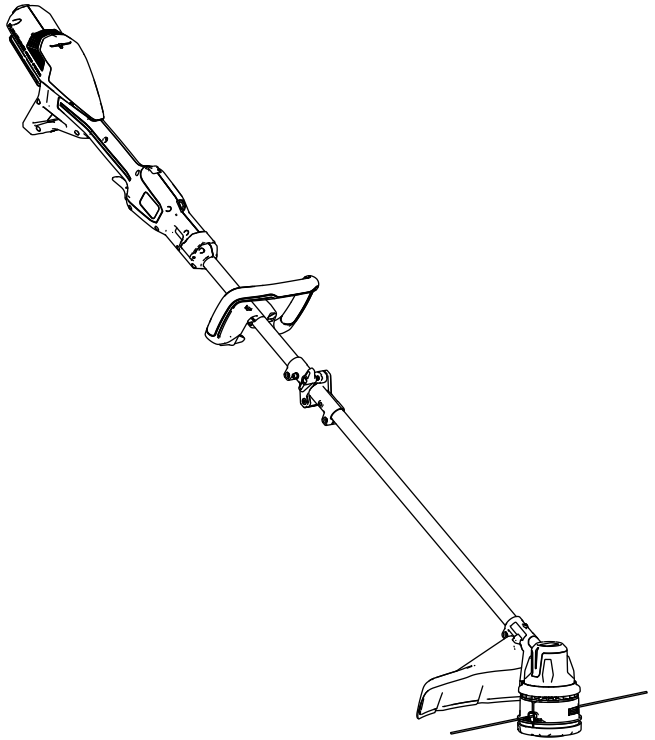


Count on it.

Operator's Manual

**Flex-Force Power System®
60V 35CM String Trimmer**

Model No. 51890T—Serial No. 326000000 and Up





For assistance, please see www.Toro.com/support for instructional resources or contact your Authorized Service Dealer before returning this product.

This product complies with all relevant European directives; for details, please see the separate product specific Declaration of Conformity (DOC) sheet.

Introduction

This trimmer is intended to be used by residential homeowners to trim grass as needed outdoors. It is designed to use Flex-Force™ 60V lithium-ion battery packs. These battery packs are designed to be charged only by Flex-Force 60V lithium-ion battery chargers. Using this product for purposes other than its intended use could prove dangerous to you and bystanders.

***Important:* If you are using this machine with a battery pack that is 8.0 Ah or greater, you must install the quick-release harness Model 139-5334 (not included) for proper support and balance.**

Do not use other harnesses or multiple harnesses when operating the machine.

Model 51890T does not include a battery or a charger.

Read this information carefully to learn how to operate and maintain your product properly and to avoid injury and product damage. You are responsible for operating the product properly and safely.

Visit www.Toro.com for product safety and operation training materials, accessory information, help finding a dealer, or to register your product.

© 2026—The Toro®
Company
8111 Lyndale Avenue
South
Bloomington, MN
55420

Register at
www.Toro.com.



Original Instructions
(EN)
Printed in China
All Rights Reserved



Whenever you need service, genuine manufacturer parts, or additional information, contact an Authorized Service Dealer or the manufacturer Customer Service and have the model and serial numbers of your product ready. [Figure 1](#) identifies the location of the model and serial numbers on the product. Write the numbers in the space provided.

Important: With your mobile device, you can scan the QR code on the serial number decal (if equipped) to access warranty, parts, and other product information.

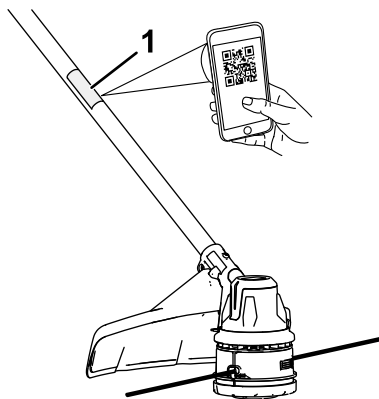


Figure 1

g507019

1. Model number, serial number, and QR code location

Model No. _____
Serial No. _____

Safety-Alert Symbol

The safety-alert symbol (Figure 2) shown in this manual and on the machine identifies important safety messages that you must follow to prevent accidents.



Figure 2
Safety-alert symbol

g000502

The safety-alert symbol appears above information that alerts you to unsafe actions or situations and is followed by the word **DANGER**, **WARNING**, or **CAUTION**.

DANGER indicates an imminently hazardous situation which, if not avoided, **will** result in death or serious injury.

WARNING indicates a potentially hazardous situation which, if not avoided, **could** result in death or serious injury.

CAUTION indicates a potentially hazardous situation which, if not avoided, **may** result in minor or moderate injury.

This manual uses two other words to highlight information. **Important** calls attention to special mechanical information and **Note** emphasizes general information worthy of special attention.

Safety

⚠ WARNING

Read all safety warnings, instructions, illustrations and specifications provided with this machine.

Failure to follow all instructions listed below may result in electric shock, fire and/or serious injury.

Save all warnings and instructions for future reference.

The term “machine” in all the warnings refers to your mains-operated (corded) machine or battery-operated (cordless) machine.

I. Work area safety

1. **Keep work area clean and well lit.** *Cluttered or dark areas invite accidents.*
2. **Do not operate machines in explosive atmospheres, such as in the presence of flammable liquids, gases, or dust.** *Machines create sparks which may ignite the dust or fumes.*
3. **Keep children and bystanders away while operating a machine.** *Distractions can cause you to lose control.*

II. Electrical safety

1. **Machine plugs must match the outlet. Never modify the plug in any way. Do not use any adapter plugs with earthed (grounded) machines.** *Unmodified plugs and matching outlets will reduce risk of electric shock.*
2. **Avoid body contact with earthed or grounded surfaces, such as pipes, radiators, ranges and refrigerators.** *There is an increased risk of electric shock if your body is earthed or grounded.*
3. **Do not expose machines to rain or wet conditions.** *Water entering a machine will increase the risk of electric shock.*
4. **Do not abuse the cord. Never use the cord for carrying, pulling or unplugging the machine. Keep cord away from heat, oil, sharp edges or moving parts.** *Damaged or entangled cords increase the risk of electric shock.*
5. **When operating a machine outdoors, use an extension cord suitable for outdoor use.** *Use of a cord suitable for outdoor use reduces the risk of electric shock.*
6. **If operating a machine in a damp location is unavoidable, use a residual current device (RCD) protected supply.** *Use of an RCD reduces the risk of electric shock.*

III. Personal safety

1. **Stay alert, watch what you are doing and use common sense when operating a machine. Do not use a machine while you are tired or under the influence of drugs, alcohol, or medication.** *A moment of inattention while operating machines may result in serious personal injury.*
2. **Use personal protective equipment. Always wear eye protection.** *Protective equipment such as a dust mask, non-skid safety shoes, hard hat, or hearing protection used for appropriate conditions reduces personal injuries.*

- 3. Prevent unintentional starting. Ensure the switch is in the OFF-position before connecting to power source and/or battery pack, picking up or carrying the tool.** *Carrying machines with your finger on the switch or energizing machines that have the switch on invites accidents.*
- 4. Remove any adjusting key or wrench before turning the machine on.** *A wrench or a key left attached to a rotating part of the machine may result in personal injury.*
- 5. Do not overreach. Keep proper footing and balance at all times.** *This enables better control of the machine in unexpected situations.*
- 6. Dress properly. Do not wear loose clothing or jewelry. Keep your hair and clothing away from moving parts.** *Loose clothes, jewelry, or long hair can be caught in moving parts.*
- 7. If devices are provided for the connection of dust extraction and collection facilities, ensure these are connected and properly used.** *Use of dust collection can reduce dust-related hazards.*
- 8. Do not let familiarity gained from frequent use of tools allow you to become complacent and ignore tool safety principles.** *A careless action can cause severe injury within a fraction of a second.*

IV. Machine use and care

- 1. Do not force the machine. Use the correct machine for your application.** *The correct machine will do the job better and safer at the rate for which it was designed.*
- 2. Do not use the machine if the switch does not turn it on and off.** *Any machine that cannot be controlled with the switch is dangerous and must be repaired.*
- 3. Disconnect the plug from the power source and/or remove the battery pack, if detachable, from the machine before making any adjustments, changing accessories, or storing machines.** *Such preventive safety measures reduce the risk of starting the machine accidentally.*
- 4. Store idle machines out of the reach of children and do not allow persons unfamiliar with the machine or these instructions to operate the machine.** *Machines are dangerous in the hands of untrained users.*
- 5. Maintain machines and accessories. Check for misalignment or binding of moving parts, breakage of parts, and any other condition that may affect the machine's operation. If damaged, have the machine repaired before use.** *Many accidents are caused by poorly maintained machines.*

6. **Keep cutting tools sharp and clean.** *Properly maintained cutting tools with sharp cutting edges are less likely to bind and are easier to control.*
7. **Use the machine, accessories, and tool bits etc. in accordance with these instructions, taking into account the working conditions and the work to be performed.** *Use of the machine for operations different from those intended could result in a hazardous situation.*
8. **Keep handles and grasping surfaces dry, clean and free from oil and grease.** *Slippery handles and grasping surfaces do not allow for safe handling and control of the tool in unexpected situations.*

V. Battery tool use and care

1. **Recharge only with the charger specified by the manufacturer.** *A charger that is suitable for one type of battery pack may create a risk of fire when used with another battery pack.*
2. **Use machines only with specifically designated battery packs.** *Use of any other battery packs may create a risk of injury and fire.*
3. **When battery pack is not in use, keep it away from other metal objects, like paper clips, coins, keys, nails, screws or other small metal objects, that can make a connection from one terminal to another.** *Shorting the battery terminals together may cause burns or a fire.*
4. **Under abusive conditions, liquid may be ejected from the battery; avoid contact. If contact accidentally occurs, flush with water. If liquid contacts eyes, additionally seek medical help.** *Liquid ejected from the battery may cause irritation or burns.*
5. **Do not use a battery pack or tool that is damaged or modified.** *Damaged or modified batteries may exhibit unpredictable behavior resulting in fire, explosion or risk of injury.*
6. **Do not expose a battery pack or tool to fire or excessive temperature.** *Exposure to fire or temperature above 130 °C (265 °F) may cause explosion.*
7. **Follow all charging instructions and do not charge the battery pack or tool outside the temperature range specified in the instructions.** *Charging improperly or at temperatures outside the specified range may damage the battery and increase the risk of fire.*

VI. Service

1. **Have your machine serviced by a qualified repair person using only identical replacement parts.** *This will ensure that the safety of the machine is maintained.*

2. **Never service damaged battery packs.** *Service of battery packs should only be performed by the manufacturer or authorized service providers.*

VII. String Trimmer safety

1. **Do not use the machine in bad weather conditions, especially when there is a risk of lightning.** *This decreases the risk of being struck by lightning.*
2. **Thoroughly inspect the area for wildlife where the machine is to be used.** *Wildlife may be injured by the machine during operation.*
3. **Thoroughly inspect the area where the machine is to be used and remove all stones, sticks, wires, bones, and other foreign objects.** *Thrown objects can cause personal injury.*
4. **Before using the machine, always visually inspect to see that the cutter and the cutter assembly are not damaged.** *Damaged parts increase the risk of injury.*
5. **Keep guards in place. Guards must be in working order and be properly mounted.** *A guard that is loose, damaged, or is not functioning correctly may result in personal injury.*
6. **Keep all cooling air inlets clear of debris.** *Blocked air inlets and debris may result in overheating or risk of fire.*
7. **Wear eye protection and ear protection.** *Adequate protective equipment will reduce personal injury.*
8. **While operating the machine, always wear non-slip and protective footwear. Do not operate the machine when barefoot or wearing open sandals.** *This reduces the chance of injury to the feet from contact with the moving cutter.*
9. **Always wear clothing such as trousers that covers the operator's legs while operating the machine.** *Contact with the moving cutter or line may cause injury.*
10. **Keep bystanders away while operating the machine.** *Thrown debris can result in serious personal injury.*
11. **Do not operate the machine above waist height.** *This helps prevent unintended cutter contact and enables better control of the machine in unexpected situations.*
12. **Exercise caution when operating the machine in wet grass. Walk, never run.** *This reduces the risk of slipping and falling which may result in personal injury.*

13. **Do not operate the machine on excessively steep slopes.** *This reduces the risk of loss of control, slipping and falling which may result in personal injury.*
14. **When working on slopes, always be sure of your footing, always work across the face of slopes, never up or down and exercise extreme caution when changing direction.** *This reduces the risk of loss of control, slipping and falling which may result in personal injury.*
15. **Keep all power cords and cables away from cutting area.** *Power cords or cables may be hidden in hedges or bushes and can be accidentally cut or damaged by the line or cutter.*
16. **Keep all parts of the body away from the moving trimmer cutter or line. Do not clear material from the machine until it has been disconnected from the power source.** *The moving trimmer cutter or line may result in serious personal injury.*
17. **Carry the machine with the machine switched off and away from your body.** *Proper handling of the machine will reduce the likelihood of accidental contact with a moving trimmer cutter or line.*
18. **Only use replacement cutting heads and trimmer cutters or lines specified by the manufacturer. Do not replace the trimmer cutters or lines with metal wires or blades.** *Incorrect replacement parts may cause loss of control, breakage and injury.*
19. **When clearing jammed material or servicing the machine, make sure the switch is off and the battery pack is removed.** *Unexpected starting of the machine while clearing jammed material or servicing may result in serious personal injury.*








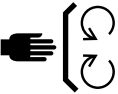


SAVE THESE INSTRUCTIONS




Decal Symbols



Safety decals and instructions are easily visible to the operator and are located near any area of potential danger. Replace any decal that is damaged or missing.

The following tables describe the safety and instructional symbols that appear on the decals.

String Trimmer Decal Symbol	Explanation
	Thrown objects hazard
	Warning
	Do not operate in wet conditions.
	Do not use metal blades.
15 m (50 ft) 	Keep bystanders at least 15 m (50 ft) away.
	Keep bystanders away.
	Keep bystanders away from the machine in all directions.
	Keep all guards and shields in place.
	Read the <i>Operator's Manual</i> .
	Remove the battery pack before performing maintenance.

	Stay away from moving parts.
	Use flexible line.
	Wear eye and ear protection.

Setup

Loose Parts

Use the chart below to verify that all parts have been shipped.

Procedure	Description	Qty.	Use
1	Connector knob	1	Unfold the shaft.
2	Auxiliary handle assembly	1	Install the auxiliary handle.
3	Guard Screw	1 2	Install the guard.

1

Unfolding the Shaft

Parts needed for this procedure:

1	Connector knob
---	----------------

Procedure

1. Unfold the shaft (A of [Figure 3](#)).
2. Secure the shaft together at the coupler using the connector knob (B of [Figure 3](#)).

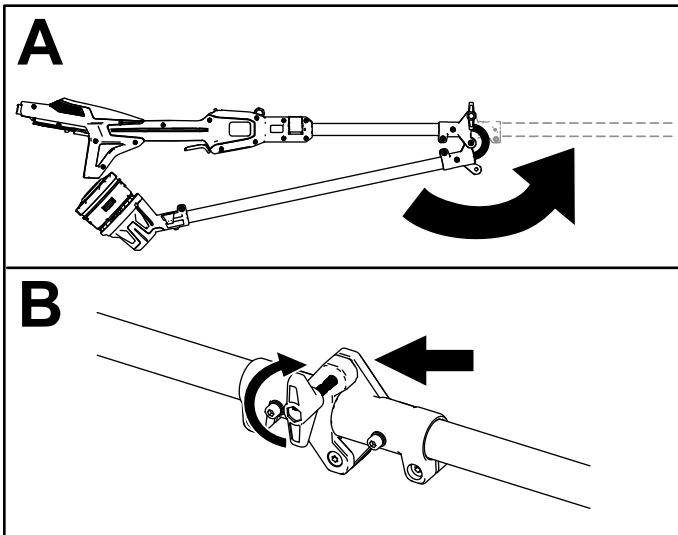


Figure 3

g507675

2

Installing the Auxiliary Handle

Parts needed for this procedure:

1	Auxiliary handle assembly
---	---------------------------

Procedure

1. Separate the auxiliary handle from the handle bracket by unscrewing the handle-lock knob and removing the bolt (A of [Figure 4](#)).

Important: The bolt may be wedged into the plastic of the handle; lightly tap the bottom of the bolt until it is free from the handle.

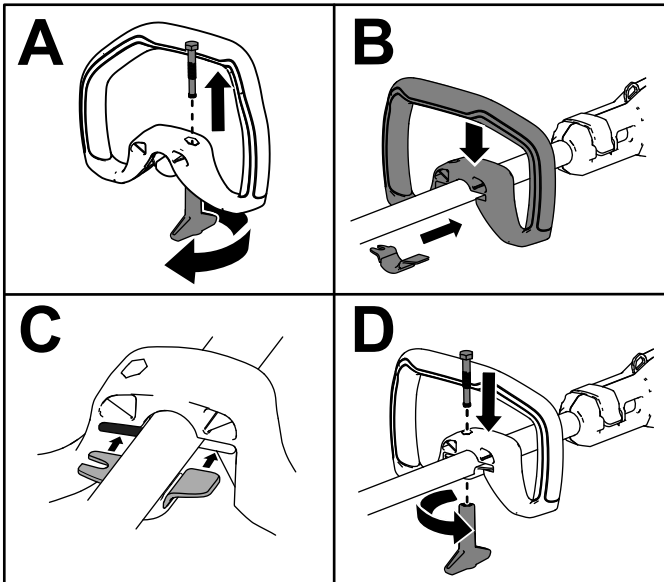


Figure 4

g507673

2. Align the handle bracket with the auxiliary handle (B of [Figure 4](#)).
3. Slide the handle bracket into the slot on the auxiliary handle (C of [Figure 4](#)).
4. Secure the lower handle bracket to the auxiliary handle with the handle-lock knob and the previously removed bolt (D of [Figure 4](#)).

3

Installing the Guard

Parts needed for this procedure:

1	Guard
2	Screw

Procedure

Secure the guard onto the base of the trimmer with the 2 screws.

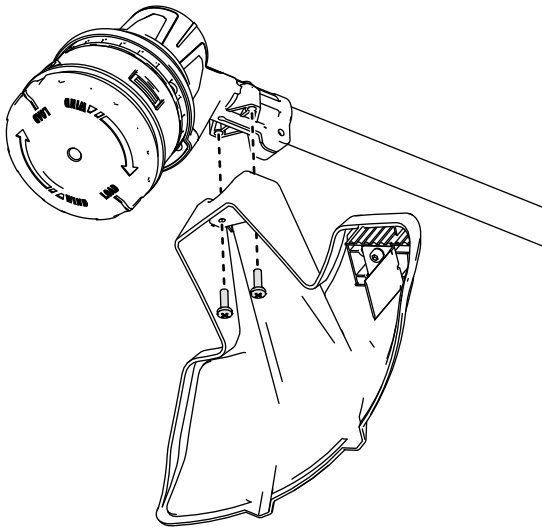


Figure 5

g507687

Product Overview

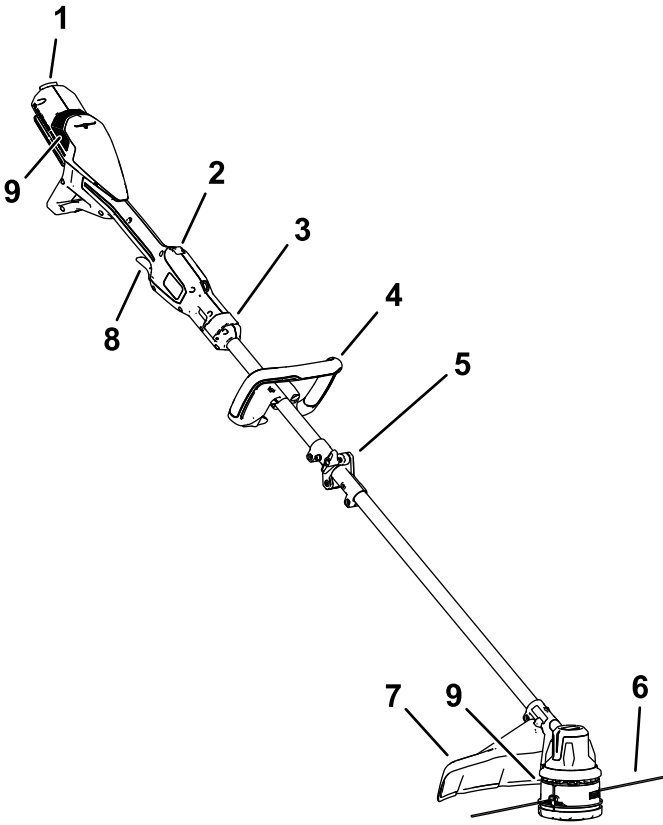


Figure 6

g507020

- 1. Battery latch
- 2. Lockout switch
- 3. Telescoping latch
- 4. Auxiliary handle
- 5. Mid-shaft coupler
- 6. Cutting line
- 7. Guard
- 8. Run trigger
- 9. Trimmer vents

Specifications

Model	51890T
Rated Voltage	60V DC maximum, 54 VDC nominal usage
Charger Type	Flex-Force 60V lithium-ion chargers
Battery Type	Flex-Force 60V lithium-ion batteries*

If you are using this machine with a battery pack that is 8.0 Ah or greater, you must install the quick-release harness Model 139-5334 (not included).

Appropriate Temperature Ranges

Charge/store the battery pack at	5°C (41°F) to 40°C (104°F)*
Use the battery pack at	-30°C (-22°F) to 49°C (120°F)
Use the trimmer at	0°C (32°F) to 49°C (120°F)
Store the trimmer at	0°C (32°F) to 49°C (120°F)*

*Charging time will increase if you do not charge the battery within this range.

Store the tool, battery pack, and battery charger in an enclosed clean, dry area.

Attachments/Accessories

A selection of Toro approved attachments and accessories is available for use with the machine to enhance and expand its capabilities. Contact your Authorized Service Dealer or authorized Toro distributor or go to www.Toro.com for a list of all approved attachments and accessories.

To ensure optimum performance and continued safety certification of the machine, use only genuine Toro replacement parts and accessories. Replacement parts and accessories made by other manufacturers could be dangerous.

Operation

Starting the Trimmer

1. Ensure that the vents on the trimmer are clear of any dust and debris.
2. Align the cavity in the battery pack with the tongue on the power head (Figure 7).
3. Push the battery pack into the power head until the battery locks into the latch (Figure 7).

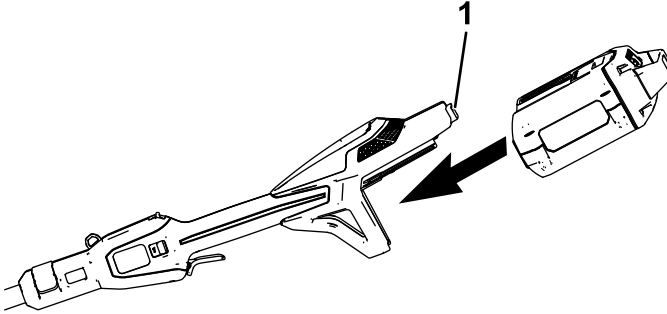


Figure 7

g507688

1. Battery latch

-
4. To start the trimmer, pull back the lockout switch, then squeeze the variable-speed trigger (Figure 8).

Note: Slide the speed range switch to change the speed of the trimmer.

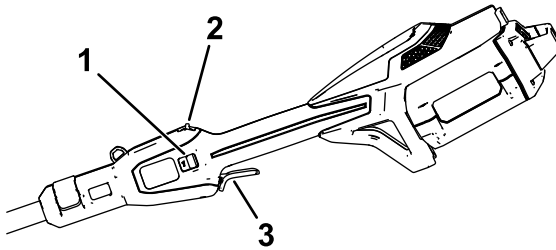


Figure 8

g507689

1. Speed range switch
2. Lockout switch
3. Variable-speed trigger

Shutting Off the Trimmer

To shut off the trimmer, release the trigger and the lockout switch.

Whenever you are not using the trimmer or are transporting the trimmer to or from the work area, remove the battery pack.

Removing the Battery Pack from the Trimmer

Press the battery latch to release the battery pack and slide the battery pack out of the machine (Figure 9).

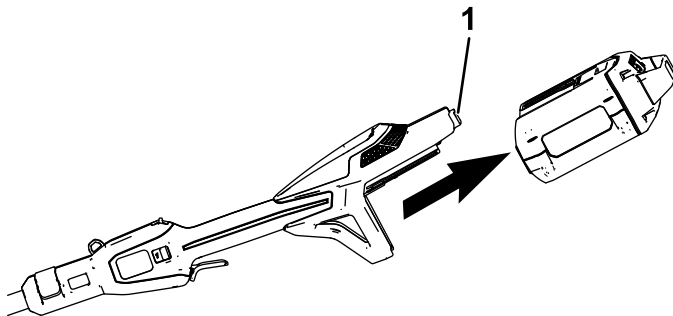


Figure 9

g507691

1. Battery latch
-

Adjusting the Auxiliary-Handle Position

1. Loosen the handle-lock knob on the bottom of the auxiliary handle.
2. Adjust the position of the auxiliary handle on the shaft until you can hold the trimmer in a neutral, comfortable position while operating.
3. Tighten the handle-lock knob to secure the auxiliary handle in place.

Adjusting the Shaft Length

1. Open the telescoping latch at the front of the handle.
2. Extend or retract the shaft until you can hold the trimmer in a neutral, comfortable position while operating.
3. Close the telescoping latch to secure the shaft.

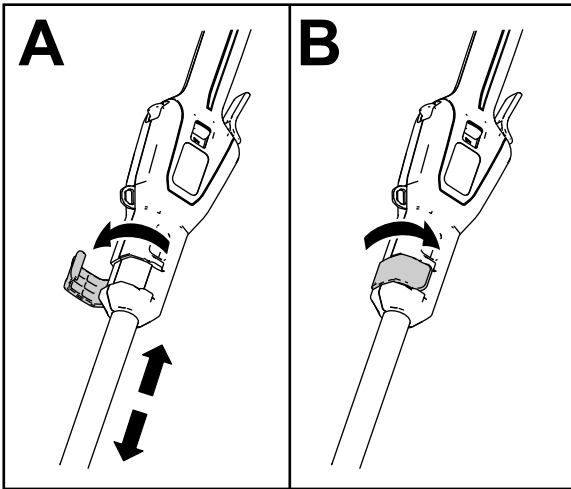


Figure 10

g507705

Advancing the Line Using the Bump Feed

1. Run the tool at full throttle.
2. Tap the bump head on the ground to advance the line. The line advances each time the bump head is tapped.

Important: Do not hold the bump head on the ground while running the trimmer.

Note: The line trimming cut-off blade on the grass deflector cuts the line to the correct length.

Note: If the line is worn too short, you may not be able to advance the line by tapping it on the ground. If so, release both the trigger and the lockout switch and refer to [Advancing the Line Manually](#) (page 21).

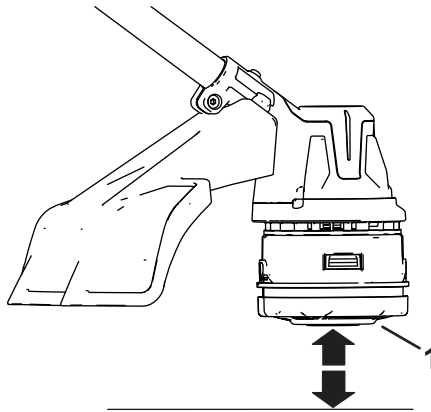


Figure 11

g507693

1. Bump head

Advancing the Line Manually

Remove the battery pack from the trimmer, then push the bump head at the base of the spool retainer while pulling on the trimmer line to manually advance the line.

Using the Shoulder Harness

Important: If you are using the string trimmer with a 8.0 Ah or greater battery pack installed, install a shoulder harness (not included).

Do not use the shoulder harness if you are powering the string trimmer with the backpack and backpack tether; use only the backpack harness.

Connect the clip on the shoulder harness to the attachment eye on top of the handle (Figure 12).

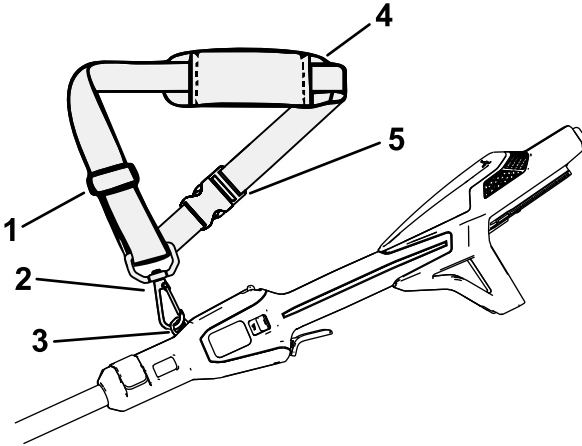


Figure 12

g507529

- | | |
|-------------------|-------------------------|
| 1. Strap adjuster | 4. Shoulder pad |
| 2. Pivot clip | 5. Quick-release buckle |
| 3. Attachment eye | |

The strap length is adjustable; slide the strap adjuster up to decrease the length of the strap, or down to increase the length of the strap (Figure 12).

If you ever need to rapidly remove the harness, disconnect the quick-release buckle as follows:

1. Press in on the sides of the buckle (A of Figure 13).

2. Allow the buckle to disconnect (B of Figure 13).

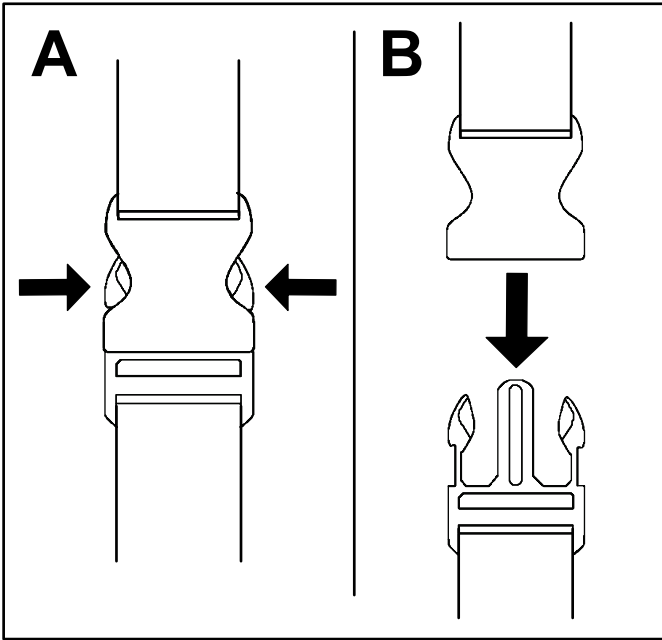


Figure 13

g340477

Operating Tips

- Keep the trimmer tilted toward the area being cut; this is the best cutting area.
- The string trimmer cuts when you move it from right to left. This prevents the trimmer from throwing debris at you.
- Use the tip of the cutting line to do the cutting; do not force the trimmer head into uncut grass.
- Wire and picket fences can cause the cutting line to wear rapidly and even break. Stone and brick walls, curbs, and wood can also cause the cutting line to wear rapidly.
- Avoid trees and shrubs. The cutting line can easily damage tree bark, wood moldings, siding, and fence posts.

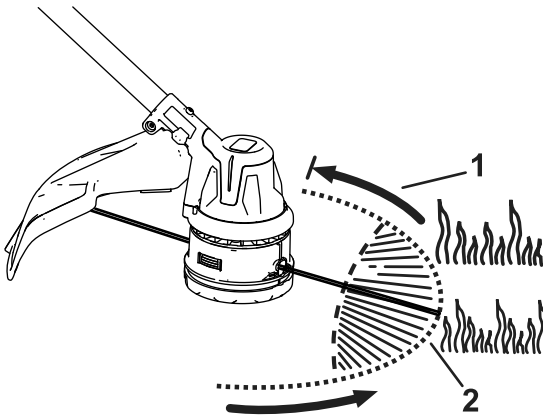


Figure 14

g507692

1. Direction of rotation

2. Cutting line path

Maintenance

After each use of the trimmer, complete the following:

1. Remove the battery pack from the trimmer.
2. Wipe the trimmer clean with a damp cloth. Do not hose the trimmer down or submerge it in water.

⚠ CAUTION

The line cutoff blade on the deflector is sharp and can cut you.

Do not use your hands to clean the deflector shield and blade.

3. Wipe or scrape clean the cutting head area any time there is an accumulation of debris.
4. Check and tighten all fasteners. If any part is damaged or lost, repair or replace it.
5. Brush debris away from air intake vents on the power head and the exhaust on the motor housing to prevent the motor from overheating.

Replacing the Cutting Line

Use only 2.0 mm (0.080 inch) diameter monofilament cutting line or 2.4 mm (0.095 inch) diameter twisted monofilament cutting line from Toro.

1. Remove the battery pack from the trimmer.
2. Remove any existing line on the spool by repetitively pressing the bump head while pulling the line out equally from both sides of the bump head.
3. Cut a piece of line that is no longer than 7.3 m (24 ft).

***Important:* Do not overload the spool.**

***Important:* Do not use any other gauge or type of line, as this could damage the trimmer.**

4. Press and turn the bump head in the direction shown by the arrows (clockwise) on the bottom of the bump head until the marks on the side of the bump head align with the marks beneath the eyelets ([Figure 15](#)).

5. Insert 1 end of the line straight into the eyelet and push the line through until it comes out of the eyelet on the other side.

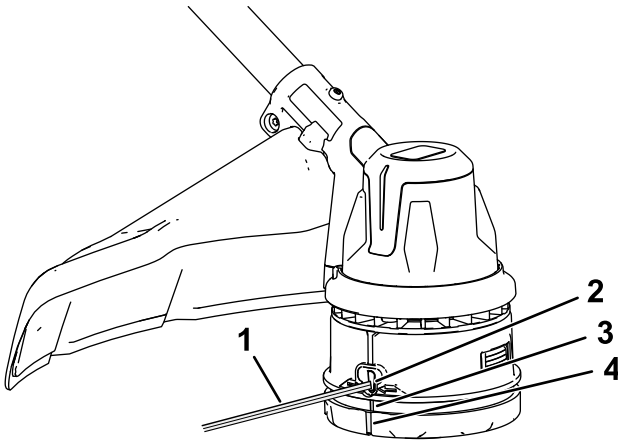


Figure 15

g507694

1. Cutting line
2. Eyelet
3. Eyelet alignment mark
4. Bump head alignment mark

***Important:* Do not disassemble the trimmer head.**

6. Pull the line through the eyelets until there is an equal length of line on each side of the trimmer head.
7. Hold the string trimmer in place with one hand. With your other hand, turn the bottom of the trimmer head in the direction shown by the arrows (clockwise) on the bottom of the bump head to wind the line; leave about 152 mm (6 inches) extending beyond the eyelet on each side.

Replacing the Trimmer Head

1. Remove the battery pack from the trimmer.
2. Insert a small-diameter tool (such as a screwdriver) through the motor housing and into the groove in the fan to secure the trimmer head so it does not freely rotate (Figure 16).

Note: With the tool inserted in the hole, rotate the trimmer head until you feel the rod fall into the groove.

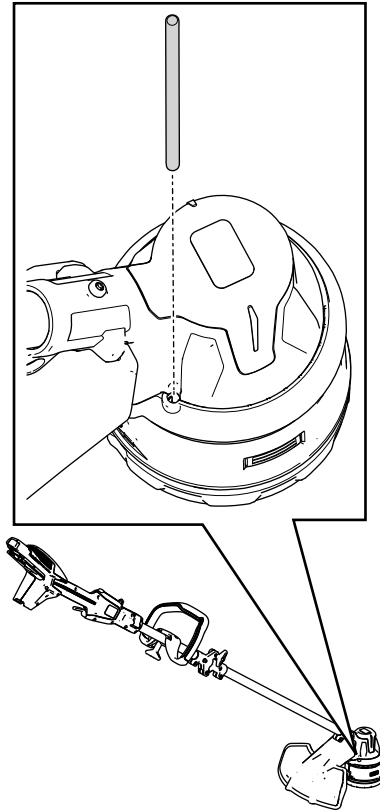


Figure 16

g512077

3. With a tool securing the trimmer head, rotate the trimmer head counterclockwise to remove it from the threaded gearcase post (Figure 17).

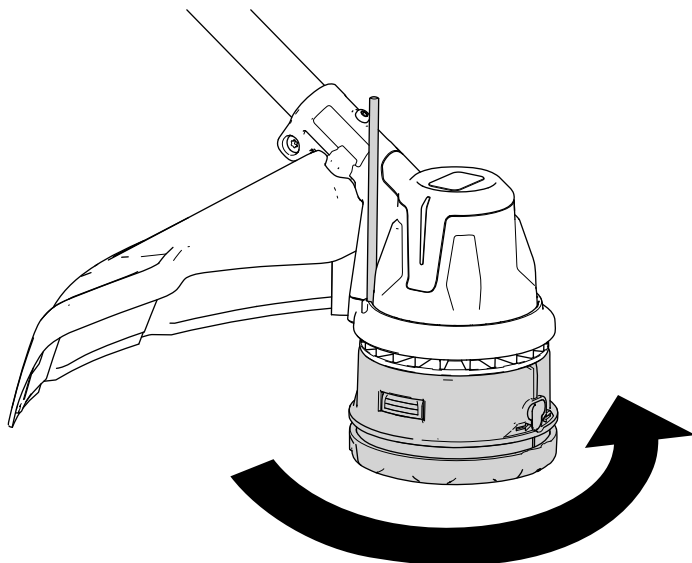


Figure 17

g516022

-
4. To install the new trimmer head, rotate it clockwise onto the gearcase post while securing the fan with a tool.

Storage

Important: Store the machine, battery pack, and charger only in temperatures that are within the appropriate range; refer to [Specifications \(page 17\)](#).

Important: If you are storing the machine for a year or longer, remove the battery pack from the machine and charge the battery pack until 1 or 2 LED indicators turn green on the battery. Do not store a fully charged or fully depleted battery. When you are ready to use the machine again, charge the battery pack until the left indicator light turns green on the charger or all 4 LED indicators turn green on the battery.


- Disconnect the machine from the power supply (i.e., remove the battery pack) and check for damage after use.
- Clean all foreign material from the machine.
- Do not store the machine or charger with the battery pack installed.
- When not in use, store the machine, battery pack, and battery charger out of the reach of children.
- Keep the machine, battery pack, and battery charger away from corrosive agents such as garden chemicals and de-icing salts.
- To reduce the risk of serious personal injury, do not store the battery pack outside or in vehicles.
- Store the machine, battery pack, and battery charger in an enclosed clean, dry area.
- When the machine is folded for storage, do not hang it from the electrical wire harness.

Preparing the Battery Pack for Recycling

Important: Upon removal, cover the terminals of the battery pack with heavy-duty adhesive tape. Do not attempt to destroy or disassemble the battery pack or remove any of its components.



Contact your local municipality or your authorized Authorized Service Dealer or distributor for more information on how to responsibly recycle the battery.

 The Call2Recycle seal is a circular logo. The top half of the circle contains the word "RECYCLE" in a curved path. Below it, the letters "R B R C" are arranged in a smaller circle. At the bottom, the text "Li-ion" is written, and the phone number "1-800-822-8837" is written along the bottom edge of the circle.	<p>Lithium-ion battery packs labeled with the Call2Recycle seal can be recycled at any participating retailer or battery recycling facility in the Call2Recycle program (US and Canada only). To locate a participating retailer or facility closest to you, please call 1-800-822-8837 or visit www.call2recycle.org.</p>
 The High Energy Battery (HEB) seal is a circular logo. The top half of the circle contains the text "END-OF-LIFE MANAGEMENT" in a curved path. In the center, there is a battery icon with a lightning bolt symbol. Below the battery icon, the text "LITHIUM ION" and "Li-ion" are written. At the bottom, the website "HEBATTERY.ORG" is written along the edge of the circle.	<p>Lithium-ion battery packs labeled with the High Energy Battery (HEB) seal shown here, and any 60V Flex-Force batteries 6.0 Ah or greater, can be recycled at any participating dealer or retailer in the Call2Recycle HEB program. To locate a participating dealer or retailer closest to you, please visit www.hebattery.org.</p>

If you cannot locate a participating retailer or facility nearby, or have questions about which recycling program your battery pack may qualify for, please visit the customer support site listed in the operator's manual for your tool/equipment for more information on how to responsibly recycle the battery pack.

If you are located outside of the US and Canada, please contact your Authorized Service Dealer or distributor for more information on how to responsibly recycle the battery pack.

Troubleshooting

Perform only the steps described in these instructions. All further inspection, maintenance, and repair work must be performed by an authorized service center or a similarly qualified specialist if you cannot solve the problem yourself.

Always remove the battery from the tool when troubleshooting, inspecting, maintaining, or cleaning the tool.

Problem	Possible Cause	Corrective Action
The tool does not run or does not run continuously.	<ol style="list-style-type: none"><li data-bbox="386 423 675 472">1. The battery is not fully installed in the tool.<li data-bbox="386 570 675 618">2. The battery pack is not charged.<li data-bbox="386 651 675 732">3. The battery pack is over or under the appropriate temperature range.<li data-bbox="386 789 675 870">4. There is moisture on the leads of the battery pack.<li data-bbox="386 878 675 927">5. The battery pack is damaged.<li data-bbox="386 935 675 1016">6. There is another electrical problem with the tool.	<ol style="list-style-type: none"><li data-bbox="707 423 996 553">1. Remove and then replace the battery into the tool, making sure that it is fully installed and latched.<li data-bbox="707 570 996 643">2. Remove the battery pack from the tool and charge it.<li data-bbox="707 651 996 781">3. Move the battery pack to a place where it is dry and the temperature is between 5°C (41°F) and 40°C (104°F).<li data-bbox="707 789 996 846">4. Allow the battery pack to dry or wipe it dry.<li data-bbox="707 878 996 927">5. Replace the battery pack.<li data-bbox="707 935 996 984">6. Contact an Authorized Service Dealer.
The tool does not reach full power or the motor housing is getting hot.	<ol style="list-style-type: none"><li data-bbox="386 1039 675 1088">1. The battery pack charge capacity is too low.<li data-bbox="386 1154 675 1203">2. The air vents are blocked.	<ol style="list-style-type: none"><li data-bbox="707 1039 996 1138">1. Remove the battery pack from the tool and fully charge the battery pack.<li data-bbox="707 1154 996 1187">2. Clean the air vents.

Problem	Possible Cause	Corrective Action
The tool is producing excessive vibration or noise.	<ol style="list-style-type: none"> 1. There is debris under the grass shield or in the bump head housing on the trimmer. 2. The spool is not properly wound. 	<ol style="list-style-type: none"> 1. Clean any debris from under the grass shield or in the bump head housing. 2. Advance the line using the bump head and/or remove the line on the spool and wind the spool again.
The bump head does not advance the line.	<ol style="list-style-type: none"> 1. The trimmer is out of line. 2. The line is tangled in the bump head housing. 3. There is debris under the grass shield or in the bump head housing on the trimmer. 	<ol style="list-style-type: none"> 1. Add more line to the bump head. 2. Remove the bump head cover and untangle the line. 3. Clean any debris from under the grass shield or in the bump head housing.
The battery pack loses charge quickly.	<ol style="list-style-type: none"> 1. The battery pack is over or under the appropriate temperature range. 2. The trimmer is overloaded. 	<ol style="list-style-type: none"> 1. Move the battery pack to a place where it is dry and the temperature is between 5°C (41°F) and 40°C (104°F). 2. Trim at a slower pace.

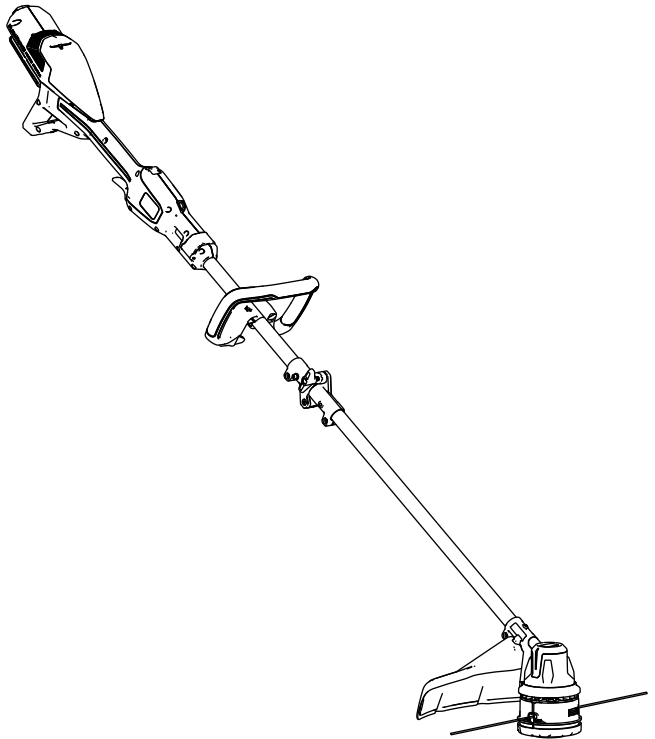
TORO[®]

Count on it.

Bedienungsanleitung

Flex-Force Power System[®] 60V 35cm Faden-Freischneider

Modellnr. 51890T—Seriennr. 326000000 und höher



Registrieren Sie Ihr Produkt unter
www.Toro.com.
Originaldokuments (DE)

CE UK
EA





Wenn Sie Unterstützung benötigen, besuchen Sie www.Toro.com/support für weitere Instruktionen oder Ressourcen, oder wenden Sie sich an Ihren offiziellen Service-Vertragshändler, bevor Sie das Produkt zurückgeben.

Dieses Produkt erfüllt alle relevanten europäischen Richtlinien; weitere Details finden Sie in der produktspezifischen Konformitätserklärung (DOC).

Einführung

Dieser Freischneider sollte von Privatleuten bei Bedarf für das Schneiden von Gras im Außenbereich verwendet werden. Er ist für die Verwendung mit Flex-Force™ 60 V Lithium-Ionen-Akkus ausgelegt. Diese Akkupacks sind nur für das Aufladen mit Flex-Force 60V Lithium-Ionen-Ladegeräten vorgesehen. Der zweckfremde Einsatz dieser Maschine kann für Sie und Unbeteiligte gefährlich sein.

Wichtig: Wenn Sie dieses Gerät mit Akkupacks mit einer Kapazität von 8,0 Ah oder höher verwenden, müssen Sie den Schnellspanngurt Modell 139-5334 (nicht mitgeliefert) anbringen, um die richtige Unterstützung und Balance zu gewährleisten.

Verwenden Sie beim Betrieb der Maschine keine anderen Gurtzeuge oder Mehrfachgurtzeuge.

Modell 51890T enthält keinen Akku und kein Ladegerät.

Lesen Sie diese Informationen sorgfältig durch, um sich mit dem ordnungsgemäßen Einsatz und der Wartung des Produkts vertraut zu machen und Verletzungen und eine Beschädigung des Produkts zu vermeiden. Sie tragen die Verantwortung für einen ordnungsgemäßen und sicheren Einsatz des Produkts.



Auf www.Toro.com finden Sie Informationen hinsichtlich Produktsicherheit und Schulungsunterlagen, Zubehörinformationen, Standort eines Händlers oder Registrierung des Produkts.

Wenden Sie sich an den offiziellen Vertragshändler oder Kundendienst, wenn Sie eine Serviceleistung, Originalersatzteile oder weitere Informationen benötigen. Halten Sie dafür die Modell- und Seriennummern Ihres Produkts griffbereit. **Bild 1** zeigt die Position der Modell- und Seriennummern am Produkt. Tragen Sie hier die Modell- und Seriennummern des Geräts ein.

Wichtig: Scannen Sie mit Ihrem Mobilgerät den QR-Code auf dem Seriennummernaufkleber (falls vorhanden), um auf Garantie-, Ersatzteil- oder andere Produktinformationen zuzugreifen.

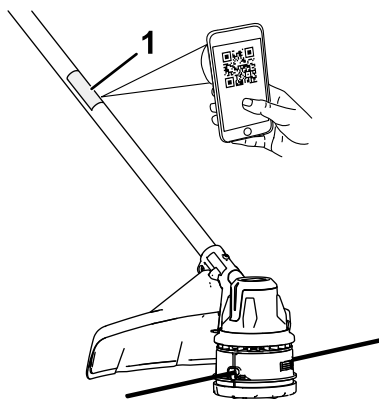


Bild 1

g507019

1. Modellnummer, Seriennummer und Lage des QR-Codes

Modellnr. _____
Seriennr. _____

Sicherheitswarnsymbol

Dieses Sicherheitswarnsymbol (**Bild 2**) in diesem Handbuch und an der Maschine weist auf wichtige Sicherheitshinweise hin, die Sie beachten müssen, um Unfälle zu vermeiden.



Bild 2

Sicherheitswarnsymbol

g000502

Das Sicherheitswarnsymbol wird über Information dargestellt, die Sie vor unsicheren Handlungen oder Situationen warnen, gefolgt von dem Wort **GEFAHR, WARNUNG** oder **VORSICHT**.

GEFAHR bezeichnet eine unmittelbar drohende Gefahr. Wenn sie nicht gemieden wird, **sind** Tod oder schwerste Verletzungen die Folge.

WARNUNG bezeichnet eine möglicherweise drohende Gefahr. Wenn sie nicht gemieden wird, **können** Tod oder schwerste Verletzungen die Folge sein.

VORSICHT bezeichnet eine möglicherweise drohende Gefahr. Wenn sie nicht gemieden wird, **können leichte** oder geringfügige Verletzungen die Folge sein.

In dieser Anleitung werden zwei weitere Begriffe zur Hervorhebung von Informationen verwendet. **Wichtig** weist auf spezielle mechanische Informationen hin, und **Hinweis** hebt allgemeine Informationen hervor, die Ihre besondere Beachtung verdienen.

Sicherheit

⚠ WARNUNG:

Lesen Sie alle Sicherheits- und Warnhinweise, Anweisungen, Abbildungen und Spezifikationen, die mit dieser Maschine geliefert werden.

Das Nichtbeachten aller unten aufgeführten Anweisungen kann zu Stromschlag, Brand und/oder schweren Verletzungen führen.

Bewahren Sie alle Warnungen und Anweisungen für einen späteren Bezug auf.

Der Begriff „Maschine“ in allen aufgeführten Warnhinweisen bezieht sich auf kabelgebundene oder akkubetriebene (kabellose) Maschinen.

I. Arbeitsbereichssicherheit

- 1. Der Arbeitsbereich sollte sauber und gut beleuchtet sein.**
Unaufgeräumte oder dunkle Bereiche führen leicht zu Unfällen.
- 2. Verwenden Sie Maschinen nicht in explosiven Umgebungen, beispielsweise in der Nähe von brennbaren Flüssigkeiten, Dämpfen oder Staub.** *Maschinen erzeugen Funken die den Staub oder die Dämpfe entzünden können.*
- 3. Halten Sie Kinder und Unbeteiligte während des Betriebs einer Maschine fern.** *Ablenkungen können zu einem Kontrollverlust führen.*

II. Elektrische Sicherheit

- 1. Die Stecker der Maschine müssen mit den Steckdosen übereinstimmen. Modifizieren Sie den Stecker auf keinen Fall. Verwenden Sie keine Adapterstecker an geerdeten Maschinen.** *Nicht modifizierte Stecker und passende Steckdosen verringern einen möglichen Stromschlag.*
- 2. Fassen Sie keine geerdeten Oberflächen, u. a. Rohre, Kühler, Herde oder Kühlschränke an.** *Die Gefahr eines Stromschlags ist höher, wenn Ihr Körper geerdet ist.*
- 3. Setzen Sie Maschinen nicht Regen oder nassen Bedingungen aus.** *Wasser, das in die Maschine eindringt, erhöht die Gefahr eines Stromschlags.*
- 4. Missbrauchen Sie das Kabel nicht. Verwenden Sie das Kabel niemals zum Tragen, Ziehen oder Ausstecken des Geräts.**

Bringen Sie das Kabel nicht mit Hitze, scharfen Kanten oder beweglichen Teilen in Verbindung. *Beschädigte oder verwickelte Kabel erhöhen die Gefahr eines Stromschlags.*

5. **Wenn Sie eine Maschine im Freien verwenden, verwenden Sie ein Verlängerungskabel, das für den Außeneinsatz geeignet ist.** *Die Verwendung eines für den Außeneinsatz geeigneten Kabels verringert die Gefahr eines Stromschlags.*
6. **Wenn der Betrieb einer Maschine in feuchter Umgebung unvermeidlich ist, verwenden Sie eine durch einen Fehlerstromschutzschalter (FI) geschützte Stromversorgung.** *Die Verwendung einer Fehlerstromeinrichtung verringert die Gefahr eines Stromschlags.*

III. Persönliche Sicherheit

1. **Bleiben Sie wachsam. Achten Sie auf das, was Sie tun, und lassen Sie bei der Benutzung einer Maschine gesunden Menschenverstand walten. Verwenden Sie eine Maschine nicht, wenn Sie müde sind oder unter Drogen-, Alkohol- oder Medikamenteneinfluss stehen.** *Ein Moment der Unachtsamkeit bei der Bedienung von Maschinen kann zu schweren Verletzungen führen.*
2. **Tragen Sie Schutzkleidung. Tragen Sie immer eine Schutzbrille.** *Passende Schutzkleidung, u. a. Staubmaske, rutschfeste Sicherheitsschuhe, ein Schutzhelm oder Gehörschutz verringern die Verletzungsgefahr.*
3. **Verhindern Sie unabsichtliches Anlassen. Stellen Sie sicher, dass der Schalter in der Aus-Stellung ist, bevor Sie das Stromkabel oder das Akkupack anschließen, das Werkzeug hochheben und tragen.** *Das Tragen von Maschinen mit dem Finger am Schalter oder die Energieversorgung zu Maschinen mit eingeschaltetem Schalter führen schnell zu Unfällen.*
4. **Entfernen Sie Einstellschlüssel oder Schraubenschlüssel, bevor Sie die Maschine einschalten.** *Ein an einem beweglichen Teil der Maschine angebrachter Schraubenschlüssel oder Schlüssel kann zu Verletzungen führen.*
5. **Strecken Sie sich nicht zu stark. Verlieren Sie nicht den Halt und behalten Sie das Gleichgewicht.** *Sie haben dann in unerwarteten Situationen eine bessere Kontrolle über die Maschine.*
6. **Tragen Sie entsprechende Kleidung. Tragen Sie keine weiten Kleidungsstücke oder Schmuck. Halten Sie Haare und Kleidung von beweglichen Teilen fern.** *Lose Kleidungsstücke, Schmuck oder lange Haare können sich in beweglichen Teilen verfangen.*

7. **Wenn Geräte für den Anschluss von Staubabzugs- und Staubsammlungseinrichtungen bereitgestellt sind, stellen Sie sicher, dass sie richtig angeschlossen sind und verwendet werden.** *Die Verwendung von Staubsammlung kann mit Staub in Beziehung stehende Gefahren verringern.*
8. **Umgehen oder ignorieren Sie die Sicherheitshinweise und -vorkehrungen nicht, selbst wenn Sie im häufigen Umgang mit dem Elektrowerkzeug vertraut sind.** *Eine unvorsichtige Handlung kann innerhalb von Sekundenbruchteilen zu schweren Verletzungen führen.*

IV. Verwendung und Pflege der Maschine

1. **Verwenden Sie die Maschine niemals mit Gewalt. Verwenden Sie die richtige Maschine für Ihre Anwendung.** *Die richtige Maschine erledigt die Arbeit besser und sicherer in dem Tempo, für das sie konzipiert wurde.*
2. **Setzen Sie die Maschine nicht ein, wenn sie nicht über den Schalter ein- oder ausgeschaltet werden kann.** *Jede Maschine, die nicht mit dem Schalter ein-/ausgeschaltet werden kann, ist gefährlich und muss repariert werden.*
3. **Ziehen Sie den Stecker aus der Steckdose oder nehmen Sie den Akkupack aus der Maschine (sofern abnehmbar), bevor Sie Einstellungen vornehmen, Zubehör auswechseln oder die Maschine aufbewahren.** *Solche vorbeugenden Sicherheitsmaßnahmen verringern das Risiko, dass die Maschine aus Versehen eingeschaltet wird.*
4. **Lagern Sie nicht verwendete Maschinen außerhalb der Reichweite von Kindern. Personen, die nicht mit der Maschine oder diesen Anweisungen vertraut sind, sollten die Maschine nicht verwenden.** *Maschinen in den Händen von ungeschulten Benutzern stellt ein erhebliches Gefahrenpotential dar.*
5. **Warten von Maschinen und Zubehör. Prüfen Sie auf nicht ordnungsgemäß ausgerichtete oder klemmende bewegliche Teile, zerbrochene Teile oder andere Bedingungen, die sich auf den Betrieb der Maschine auswirken können. Falls die Maschine beschädigt ist, lassen Sie sie vor der Nutzung reparieren.** *Viele Unfälle werden durch schlecht gewartete Maschinen verursacht.*
6. **Halten Sie Schneidwerkzeuge scharf und sauber. Richtig gewartete Schneidwerkzeuge mit scharfen Schnittkanten klemmen nicht und sind leichter zu steuern.**
7. **Verwenden Sie die Maschine, das Zubehör und die Einsätze usw. gemäß dieser Anweisungen; berücksichtigen Sie die**

Arbeitsbedingungen und die auszuführende Arbeit. *Die Verwendung der Maschine für andere als den vorgesehenen Einsatzzweck kann zu einer gefährlichen Situation führen.*

- Halten Sie die Griffe und Griffoberflächen trocken, sauber sowie öl- und fettfrei.** *Rutschige Griffe und Griffoberflächen ermöglichen keine sichere Handhabung und Kontrolle des Elektrowerkzeugs in unerwarteten Situationen*

V. Verwendung und Pflege von akkubetriebenen Werkzeugen

- Verwenden Sie nur das vom Hersteller zugelassene Ladegerät.** *Ein Ladegerät, das für einen Typ des Batteriepacks geeignet ist, kann bei einem anderen Batteriepack zu einer Brandgefahr führen.*
- Verwenden Sie Maschinen nur mit den angegebenen Akkus.** *Die Verwendung von anderen Akkupacks kann zu möglichen Verletzungen oder einem Brand führen.*
- Halten Sie einen nicht verwendeten Akkupack von anderen Metallobjekten fern, u. a. Briefklammern, Münzen, Schlüssel, Nägel, Schrauben oder anderen kleinen Metallobjekten, die einen Kurzschluss zwischen den Polen herstellen können.** *Ein Kurzschließen der Akkupole kann zu Verbrennungen oder einem Brand führen.*
- Bei Missbrauch kann Flüssigkeit aus dem Akku ausgestoßen werden; vermeiden Sie einen Kontakt. Spülen Sie bei einem versehentlichen Kontakt mit klarem Wasser. Falls die Flüssigkeit die Augen berührt, suchen Sie einen Arzt auf.** *Vom Akku ausgestoßene Flüssigkeit kann zu Hautreizungen oder Verbrennungen führen.*
- Verwenden Sie keine beschädigten oder umgebauten Akkus oder Werkzeuge.** *Beschädigte oder umgebaute Akkus können unvorhergesehen reagieren und Brände sowie Explosionen verursachen oder eine Verletzungsgefahr darstellen.*
- Setzen Sie einen Akkupack oder ein Werkzeug nicht Feuer oder übermäßigen Temperaturen aus.** *Das Aussetzen gegenüber Feuer oder Temperaturen über 130°C kann eine Explosion verursachen.*
- Befolgen Sie alle Anweisungen zum Aufladen und laden Sie das Akkupack oder Werkzeug nicht außerhalb des in der Anweisung angegebenen Temperaturbereichs.** *Unsachgemäßes Aufladen oder bei Temperaturen außerhalb des angegebenen Bereichs kann den Akku beschädigen und die Brandgefahr erhöhen.*

VI. Wartung

1. **Lassen Sie die Maschine von qualifiziertem Fachpersonal warten und verwenden Sie nur identische Ersatzteile.***Dies gewährleistet die Sicherheit der Maschine.*
2. **Warten Sie niemals beschädigte Akkupacks.** *Die Wartung von Akkus sollte nur vom Hersteller oder von autorisierten Serviceanbietern durchgeführt werden*

VII. Faden-Freischneider Sicherheit

1. **Verwenden Sie die Maschine nicht bei schlechten Wetterbedingungen, insbesondere wenn die Gefahr eines Blitzschlags besteht.** *Dies verringert die Gefahr, vom Blitz getroffen zu werden.*
2. **Durchsuchen Sie den Bereich, in dem die Maschine eingesetzt werden soll, gründlich auf Wildtiere.** *Wildtiere können durch die Maschine verletzt werden, wenn sich diese in Betrieb befindet.*
3. **Durchsuchen Sie den Bereich, in dem die Maschine eingesetzt werden soll, und entfernen Sie sämtliche Steine, Stöcke, Drähte, Knochen und andere Fremdkörper.** *Aufgewirbelte Gegenstände können Verletzungen verursachen.*
4. **Führen Sie vor der Verwendung der Maschine eine Sichtprüfung derselben durch, um sicherzustellen, dass der Freischneider nicht beschädigt ist.** *Beschädigte Bauteile erhöhen die Verletzungsgefahr.*
5. **Nehmen Sie keine Schutzbleche ab. Die Schutzbleche müssen funktionsfähig und sachgemäß montiert sein.** *Ist ein Schutzblech lose, beschädigt oder funktioniert es nicht sachgemäß, kann dies zu Verletzungen führen.*
6. **Entfernen Sie Rückstände von allen Kühllufteinlässen.** *Verstopfte Kühllufteinlässe und Rückstände können zu einer Überhitzung der Maschine führen und stellen eine Brandgefahr dar.*
7. **Tragen Sie einen Augen- und Gehörschutz.** *Angemessene Schutzausrüstung verringert Verletzungen.*
8. **Tragen Sie beim Betrieb der Maschine stets rutschfeste Sicherheitsschuhe. Bedienen Sie die Maschine nicht barfuß oder mit Sandalen.** *Dadurch wird die Gefahr von Fußverletzungen durch den Kontakt mit dem rotierenden Messer verringert.*
9. **Tragen Sie beim Betrieb der Maschine immer geeignete Kleidung, z. B. eine Hose, welche Ihre Beine bedeckt.** *Der Kontakt mit dem rotierenden Messer oder dem Faden kann zu Verletzungen führen.*

10. **Halten Sie Unbeteiligte während des Betriebs der Maschine fern.** *Herausgeschleuderte Teile können zu schweren Verletzungen führen.*
11. **Betreiben Sie die Maschine nicht über Hüfthöhe.** *Dies verhindert einen unbeabsichtigten Kontakt mit dem Messer und gibt in unerwarteten Situationen eine bessere Kontrolle über die Maschine.*
12. **Vorsicht ist geboten, wenn Sie die Maschine in nassem Gras betreiben. Gehen Sie immer; laufen Sie nie.** *Dies verringert die Gefahr des Ausrutschens und Fallens, was zu Verletzungen führen kann.*
13. **Betreiben Sie die Maschine nicht an übermäßig steilen Hängen.** *Dies verringert das Risiko von Kontrollverlust, Ausrutschen und Stürzen, was zu Verletzungen führen kann.*
14. **Achten Sie bei Arbeiten an Hängen immer auf einen sicheren Stand, arbeiten Sie immer quer zum Hang, niemals bergauf oder bergab, und lassen Sie bei Richtungsänderungen äußerste Vorsicht walten.** *Dies verringert das Risiko von Kontrollverlust, Ausrutschen und Stürzen, was zu Verletzungen führen kann.*
15. **Halten Sie alle Netzkabel und -leitungen vom Schnittbereich fern.** *Stromkabel oder -leitungen können in Hecken oder Büschen verborgen sein und können versehentlich vom Faden oder dem Messer geschnitten oder beschädigt werden.*
16. **Halten Sie alle Körperteile vom Schneidmesser oder dem sich bewegenden Faden fern. Räumen Sie das Material erst dann aus der Maschine, wenn diese von der Stromquelle getrennt wurde.** *Das sich bewegende Schneidmesser oder Faden kann zu schweren Verletzungen führen.*
17. **Tragen Sie die Maschine im ausgeschalteten Zustand und von Ihrem Körper weg.** *Die richtige Handhabung der Maschine verringert die Wahrscheinlichkeit eines versehentlichen Kontakts mit dem Schneidmesser oder dem sich bewegenden Faden.*
18. **Verwenden Sie nur die vom Hersteller angegebenen Ersatzschneidköpfe und Schnittmesser oder Fäden. Ersetzen Sie die Schnittmesser oder Fäden nicht durch Metalldrähte oder -klingen.** *Falsche Ersatzteile können zu Kontrollverlusten, Brüchen und Verletzungen führen.*
19. **Vergewissern Sie sich, dass der Schalter ausgeschaltet und der Akku entfernt ist, wenn Sie eingeklemmtes Material beseitigen oder die Maschine warten wollen.** *Unerwartetes Starten der Maschine beim Räumen von verstopften Material oder bei Wartungsarbeiten kann zu schweren Verletzungen führen.*


BEWAHREN SIE DIESE ANWEISUNGEN




Symbole der Aufkleber



Die Sicherheits- und Bedienungsaufkleber sind gut sichtbar; sie befinden sich in der Nähe der möglichen Gefahrenbereiche. Tauschen Sie beschädigte oder verloren gegangene Aufkleber aus.

Die folgenden Tabellen beschreiben die Sicherheits- und Hinweissymbole, die auf den Aufklebern dargestellt sind.

Aufkleber-Symbol für Freischneider	Erläuterung
	Gefahr von Wurfkörpern
	Warnung
	Verwenden Sie es nicht in nassen Bedingungen.
	Verwenden Sie keine Metallklingen.
15 m (50 ft) 	Halten Sie Unbeteiligte mindestens 15 m entfernt.
	Halten Sie Unbeteiligte von der Maschine fern.
	Halten Sie Unbeteiligte von der Maschine in allen Richtungen fern.
	Belassen Sie alle Schutz- und Sicherheitsvorrichtungen an ihrem vorgesehenen Platz.
	Lesen Sie die <i>Bedienungsanleitung</i> .
	Entfernen Sie den Akku, bevor Sie Wartungsarbeiten durchführen.

	Halten Sie sich stets von bewegenden Teilen fern.
	Verwenden Sie ein flexibles Kabel.
	Tragen Sie einen Augen- und Gehörschutz.

Einrichtung

Einzelteile

Prüfen Sie anhand der nachstehenden Tabelle, dass Sie alle im Lieferumfang enthaltenen Teile erhalten haben.

Verfahren	Beschreibung	Menge	Verwendung
1	Anschlusshandrad	1	Aufklappen des Stiels.
2	Hilfsgriff- baugruppe	1	Montieren Sie den Hilfsgriff.
3	Schutzvorrichtung Schraube	1 2	Montieren der Schutzvorrichtung.

1

Aufklappen des Stiels

Für diesen Arbeitsschritt erforderliche Teile:

1	Anschlusshandrad
---	------------------

Verfahren

1. Klappen Sie den Stiel auf (A in [Bild 3](#)).
2. Sichern Sie die Welle an der Kupplung mit dem Verbindungsknopf (B in [Bild 3](#)).

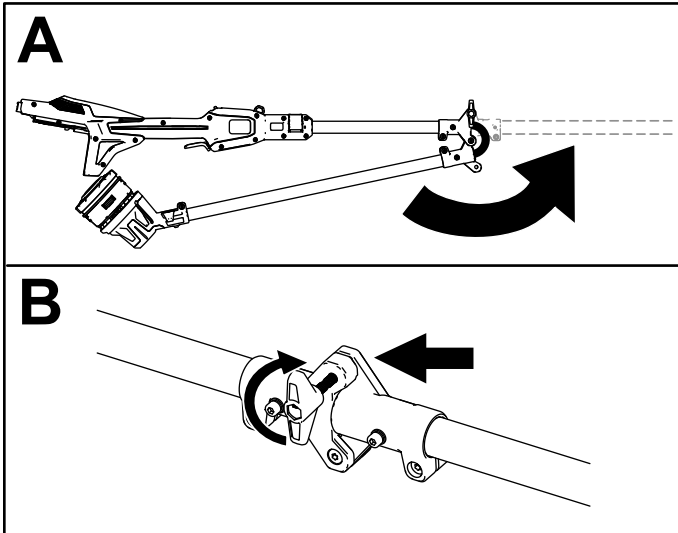


Bild 3

g507675

2

Montieren des Hilfsgriffs

Für diesen Arbeitsschritt erforderliche Teile:

1

Hilfsgriff- baugruppe

Verfahren

1. Trennen Sie den Hilfsgriff von der Griffhalterung, indem Sie den Griffverriegelungsknopf abschrauben und die Schraube (A in [Bild 4](#)) entfernen.

Wichtig: Die Schraube kann im Kunststoff des Griffs verkeilt sein; klopfen Sie leicht auf die Unterseite der Schraube, bis er sich vom Griff lösen lässt.

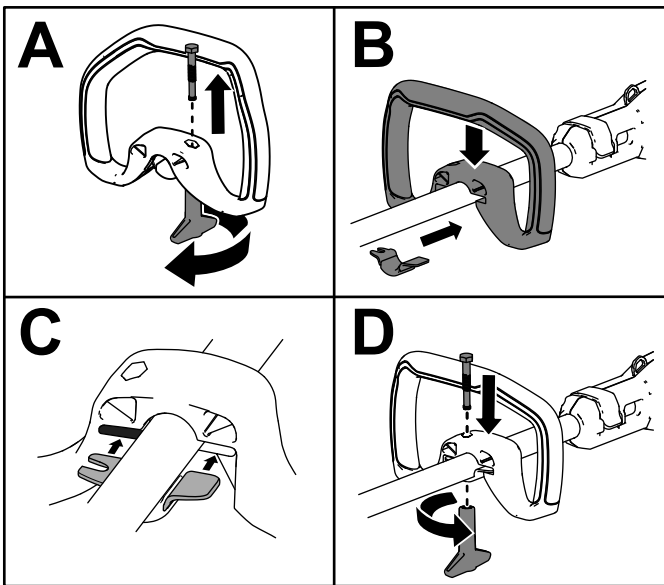


Bild 4

g507673

2. Richten Sie die Griffhalterung mit dem Hilfsgriff (B in [Bild 4](#)).
3. Schieben Sie die Griffhalterung in den Schlitz am Hilfsgriff (C in [Bild 4](#)).

4. Befestigen Sie die untere Griffhalterung am Hilfsgriff mit dem Griffverriegelungsknopf und der zuvor entfernten Schraube (D in Bild 4).

3

Montieren der Schutzvorrichtung

Für diesen Arbeitsschritt erforderliche Teile:

1	Schutzvorrichtung
2	Schraube

Verfahren

Befestigen Sie die Schutzvorrichtung mit den zwei Kreuzschrauben am Unterteil des Freischneiders.

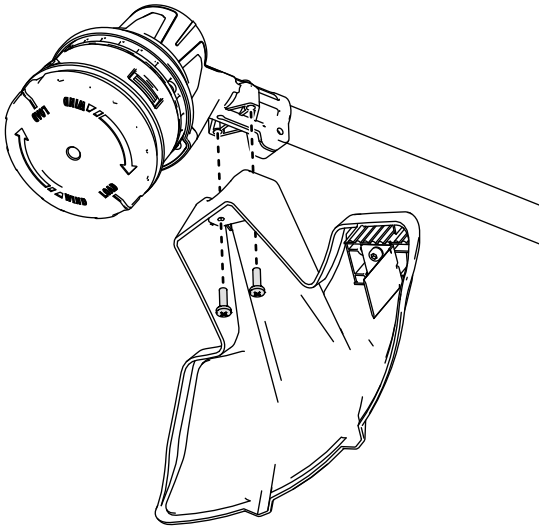


Bild 5

g507687

Produktübersicht

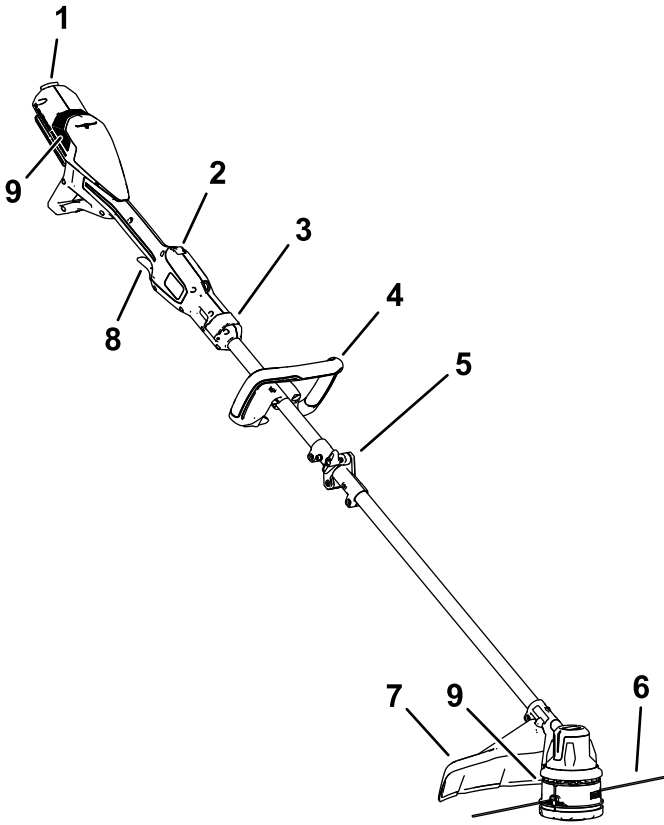


Bild 6

g507020

- | | |
|-------------------------|---|
| 1. Akkuverriegelung | 6. Schnittfaden |
| 2. Arretierungsschalter | 7. Schutzvorrichtung |
| 3. Teleskopverriegelung | 8. Auslöser |
| 4. Hilfsgriff | 9. Belüftungsöffnungen am Freischneider |
| 5. Mittelwellenkupplung | |

Technische Daten

Modell	51890T
Nennspannung	60 V DC maximal, 54 V DC Nennbetrieb
Ladegerättyp	Flex-Force 60V-Lithium-Ionen-Ladegeräte
Akkutyp	Flex-Force 60V Lithium-Ionen-Akkus*

Wenn Sie dieses Gerät mit Akkupacks mit einer Kapazität von 8,0 Ah oder höher verwenden, müssen Sie den Schnellspanngurt Modell 139-5334 (nicht mitgeliefert) anbringen.

Geeignete Temperaturbereiche

Aufladen/Lagern des Akkupacks bei	5° C bis 40° C*
Verwendung des Akkus bei	-30 °C bis 49 °C
Verwendung des Freischneiders bei	0 °C bis 49 °C
Lagerung des Freischneiders bei	0 °C bis 49 °C*

*Die Ladezeit wird verlängert, wenn Sie den Akku nicht in diesem Bereich aufladen.

Lagern Sie das Werkzeug, den Akku und das Akkuladegerät an einem sauberen und trockenen Ort.

Anbaugeräte/Zubehör

Ein Sortiment an von Toro zugelassenen Anbaugeräten und Zubehör wird für diese Maschine angeboten, um den Funktionsumfang des Geräts zu erhöhen und zu erweitern. Eine Liste der zugelassenen Anbaugeräte und Zubehörteile erhalten Sie bei Ihrem offiziellen Toro-Vertragshändler oder finden Sie unter www.Toro.com.

Verwenden Sie, um die optimale Leistung und Sicherheit zu gewährleisten, nur Originalersatzteile und –zubehörteile von Toro. Verwenden Sie nie Ersatzteile und Zubehör anderer Hersteller; diese könnten sich eventuell als gefährlich erweisen.

Betrieb

Starten des Freischneiders

1. Stellen Sie sicher, dass die Belüftungsöffnungen des Freischneiders frei von Staub oder Schmutz sind.
2. Fluchten Sie das Loch im Akkupack mit der Zunge am Antriebskopf aus (Bild 7).
3. Schieben Sie das Akkupack in den Antriebskopf, bis das Akkupack einrastet (Bild 7).

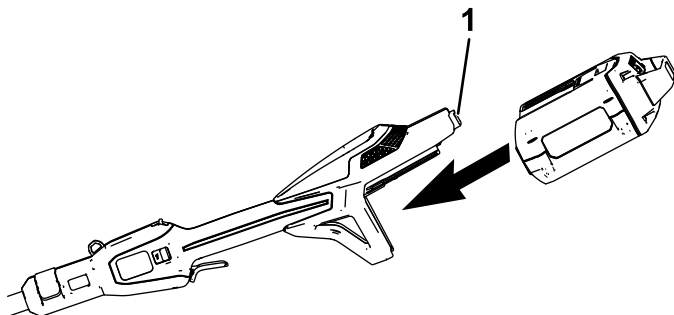


Bild 7

g507688

1. Akkuverriegelung

-
4. Ziehen Sie zum Anlassen des Freischneiders den Arretierungsschalter nach hinten und drücken Sie dann den Auslöser für die variable Geschwindigkeit (Bild 8).

Hinweis: Verschieben Sie den Schalter für den Drehzahlbereich, um die Drehzahl des Freischneiders zu ändern.

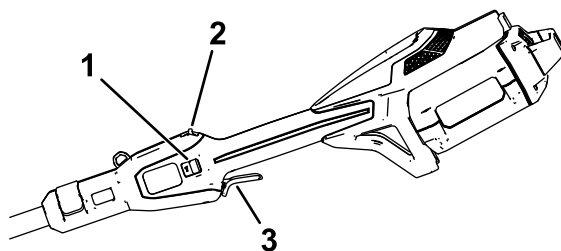


Bild 8

g507689

1. Schalter für Drehzahlbereich
2. Arretierungsschalter
3. Auslöser für variable Geschwindigkeit

Abstellen des Freischneiders

Um den Freischneider auszuschalten, lassen Sie den Auslöser und den Arretierungsschalter los.

Wenn Sie den Freischneider nicht verwenden oder ihn zwischen Arbeitsbereichen transportieren, entfernen Sie den Akku.

Entfernen des Akkupacks vom Freischneider

Drücken Sie den Akkuriegel, um das Akkupack zu lösen und ziehen Sie das Akkupack dann aus der Maschine ([Bild 9](#)).

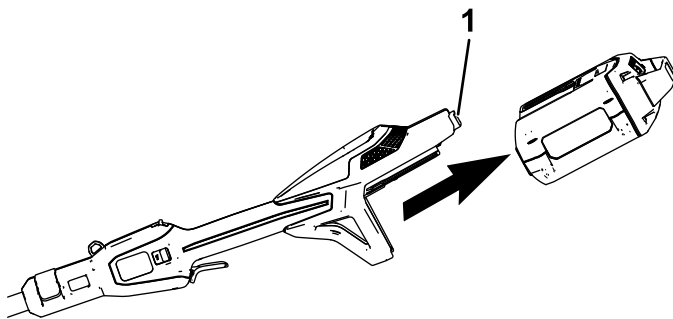


Bild 9

g507691

1. Akkuverriegelung
-

Einstellen der Position des Hilfsgriffs

1. Lösen Sie den Griffverriegelungsknopf an der Unterseite des Hilfsgriffs.
2. Stellen Sie die Position des Hilfsgriffs auf der Welle so ein, dass der Freischneider während des Betriebs in einer neutralen, bequemen Position gehalten werden kann.
3. Ziehen Sie den Griffverriegelungsknopf fest, um den Hilfsgriff in seiner Position zu sichern.

Einstellen der Wellenlänge

1. Öffnen Sie die Teleskopverriegelung an der Vorderseite des Griffs.
2. Ziehen Sie die Welle ein oder aus, bis der Freischneider während des Betriebs in einer neutralen, bequemen Position gehalten werden kann.
3. Schließen Sie die Teleskopverriegelung, um die Welle zu sichern.

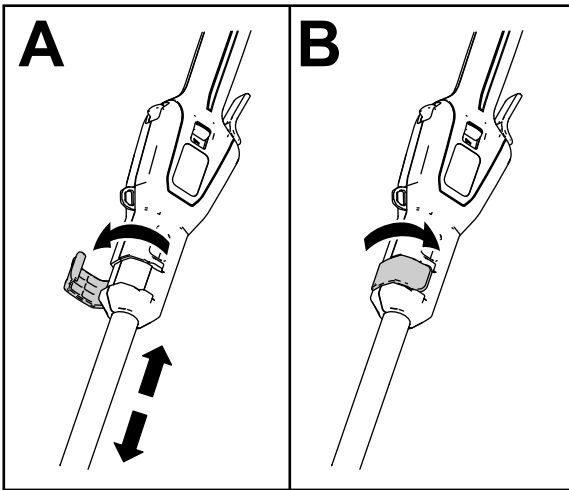


Bild 10

g507705

Vorspulen des Fadens mit dem Fadenvorschub

1. Lassen Sie das Werkzeug mit Vollgas laufen.
2. Klopfen Sie mit dem Fadenvorschubkopf auf den Boden, um den Faden vorzuspulen. Der Faden wird bei jedem Klopfen des Fadenvorschubkopfs vorgespult.

Wichtig: Halten Sie den Fadenvorschubkopf nicht auf den Boden, während Sie den Freischneider betreiben.

Hinweis: Das Fadenmesser am Ablenkblech schneidet den Faden auf die richtige Länge ab.

Hinweis: Wenn der Faden auf eine zu kurze Länge abgenutzt ist, kann der Faden ggf. nicht durch Klopfen auf den Boden vorgespult werden. Wenn dies der Fall ist, lassen Sie sowohl den Auslöser als auch den Arretierungsschalter los und siehe [Manuelles Vorspulen des Fadens \(Seite 23\)](#).

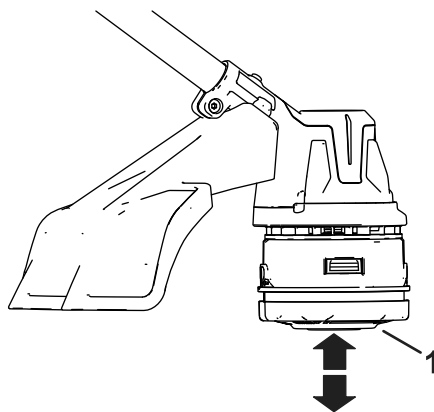


Bild 11

g507693

1. Fadenvorschubkopf

Manuelles Vorspulen des Fadens

Nehmen Sie das Akkupack aus dem Freischneider und drücken Sie dann den Fadenvorschubkopf unten am Spulenhalter und ziehen Sie gleichzeitig am Freischneiderfaden, um den Faden manuell vorzuspulen.

Verwenden des Schultergurts

Wichtig: Bringen Sie einen Schultergurt an (wird nicht mitgeliefert), wenn Sie den Freischneider mit einem Akku mit 8,0 Ah oder mehr verwenden.

Verwenden Sie den Schultergurt nicht, wenn Sie den Freischneider mit dem Rucksack und dem Rucksackkabel betreiben. Verwenden Sie nur das Rucksackkabel.

Verbinden Sie den Clip des Schultergurts mit der Befestigungsöse an der Oberseite des Griffs (Bild 12).

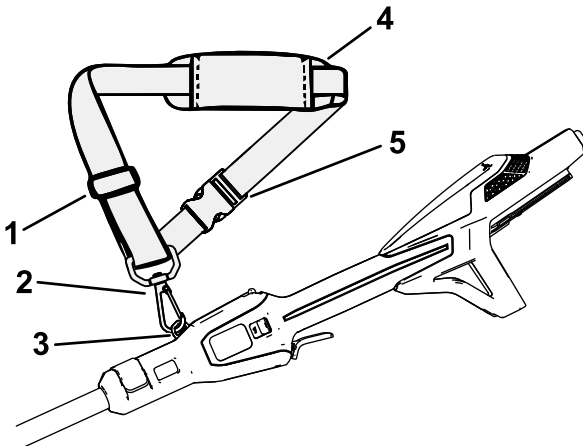


Bild 12

g507529

- | | |
|-----------------------------|-------------------------------|
| 1. Gurt-Einstellvorrichtung | 4. Schulterpolster |
| 2. Schwenkbarer Clip | 5. Schnellverschluss-Schnalle |
| 3. Befestigungsöse | |

Die Gurtlänge ist einstellbar; schieben Sie die Gurt-Einstellvorrichtung nach oben, um die Länge des Gurts zu verringern, oder nach unten, um die Länge des Gurts zu vergrößern (Bild 12).

Wenn Sie den Gurt einmal schnell entfernen müssen, lösen Sie den Schnellverschluss wie folgt:

1. Beiden Seiten der Schnellverschlusschnalle eindrücken (A in Bild 13).

2. Lassen Sie die Schnellverschlusschnalle sich lösen (B in Bild 13).

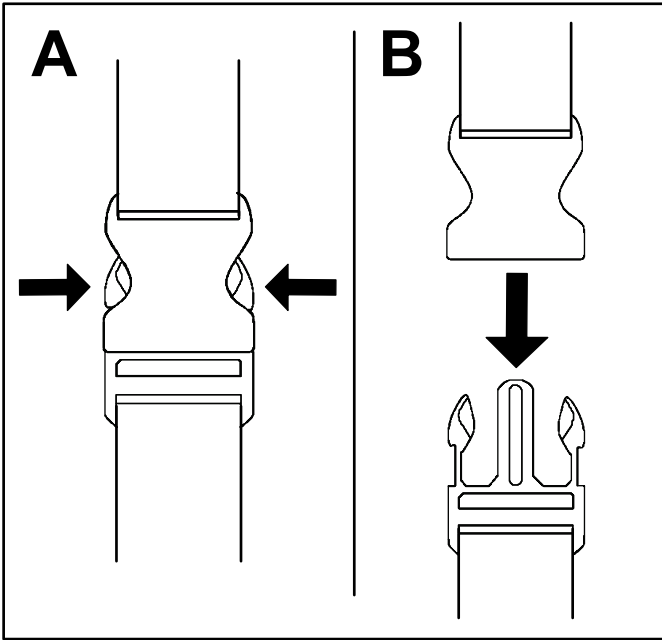


Bild 13

g340477

Betriebshinweise

- Halten Sie den Freischneider zum geschnittenen Bereich gekippt; dies ist der beste Schnittbereich.
- Der Faden-Freischneider schneidet, wenn Sie ihn von rechts nach links führen. Dies verhindert, dass der Freischneider Fremdkörper in Ihre Richtung auswirft.
- Schneiden Sie mit der Spitze des Schnitfadens; drücken Sie den Fadenkopf nicht in das ungeschnittene Gras.
- Draht- und Lattenzäune nutzen den Schnittfaden stark ab und können ihn brechen. Stein- und Ziegelwände, Randsteine und Holz können den Schnittfaden auch schnell abnutzen.
- Vermeiden Sie Bäume und Sträucher. Der Schnittfaden kann Baumrinden, Holzleisten, Verkleidungen und Zaunpfähle leicht beschädigen.

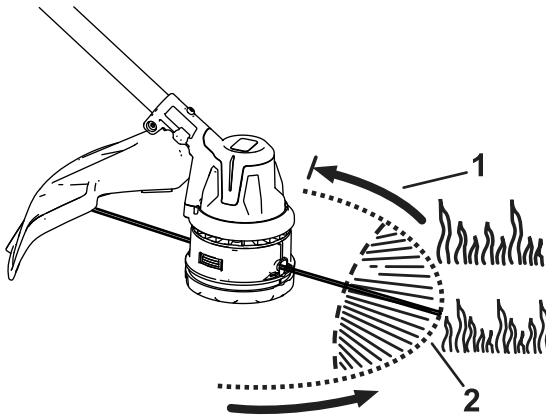


Bild 14

g507692

1. Drehrichtung

2. Pfad des Schnitfadens

Wartung

Führen Sie nach jedem Einsatz der Heckenschere die folgenden Schritte aus:

1. Nehmen Sie den Akku aus dem Freischneider.
2. Reinigen Sie den Freischneider mit einem feuchten Tuch. Spritzen Sie den Freischneider nicht mit einem Gartenschlauch ab und tauchen Sie ihn nicht in Wasser.

ACHTUNG

Das Fadenmesser am Ablenklech ist scharf, und Sie könnten sich schneiden.

Reinigen Sie das Ablenschutzblech und das Messer nicht mit den Händen.

3. Wischen oder schaben Sie den Schneidkopf ab, wenn sich Schmutz abgelagert hat.
4. Ziehen Sie alle Befestigungen an. Reparieren oder erneuern Sie defekte oder fehlende Teile.
5. Entfernen Sie Rückstände von den Ansaugöffnungen am Antriebskopf und dem Auspuff des Motorgehäuses, damit der Motor nicht überhitzt wird.

Den Schnittfaden ersetzen

Verwenden Sie nur monofile Schnittfäden mit einem Durchmesser von 2,0 mm oder gedrehte monofile Schnittfäden mit einem Durchmesser von 2,4 mm von Toro.

1. Nehmen Sie den Akku aus dem Freischneider.
2. Entfernen Sie den auf der Spule befindlichen Faden, indem Sie wiederholt auf den Fadenvorschubkopf drücken und den faden gleichmäßig von beiden Seiten des Fadenvorschubkopfs herausziehen.
3. Schneiden Sie ein Stück Faden ab, das nicht länger als 7,3 m ist.

Wichtig: Überlasten Sie die Spule nicht.

Wichtig: Verwenden Sie keine anderen Fadenstärken oder -typen, da dies den Freischneider beschädigen könnte.

4. Drücken und drehen Sie den Fadenvorschubkopf in die durch die Pfeile angezeigte Richtung (im Uhrzeigersinn) auf der Unterseite

des Fadenvorschubkopfes, bis die Markierungen an der Seite des Fadenvorschubkopfes mit den Markierungen unter den Ösen übereinstimmen (Bild 15).

5. Führen Sie ein Ende des Fadens gerade in die Öse ein und schieben Sie den Faden durch, bis er auf der anderen Seite aus der Öse wieder herauskommt.

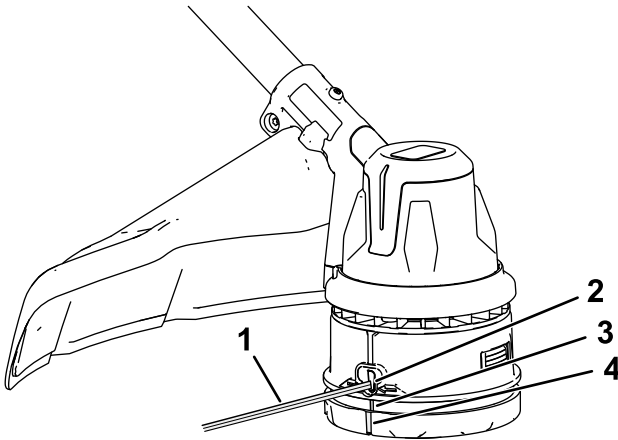


Bild 15

g507694

- | | |
|-----------------|---|
| 1. Schnittfaden | 3. Ausrichtungsmarkierung der Öse |
| 2. Öse | 4. Ausrichtungsmarkierung des Fadenvorschubkopfes |

Wichtig: Demontieren Sie den Fadenvorschubkopf nicht.

6. Ziehen Sie den Faden durch die Ösen bis er auf beiden Seiten des Freischneiders gleich lang ist.
7. Halten Sie den Freischneider mit einer Hand fest. Drehen Sie mit der anderen Hand die Unterseite des Freischneiderkopfes in die Richtung, die durch die Pfeile (im Uhrzeigersinn) auf der Unterseite des Fadenvorschubkopfes dargestellt ist, um den Faden aufzuwickeln. Lassen Sie auf jeder Seite etwa 152 mm über die Öse hinausragen.

Auswechseln des Schneidkopfes

1. Nehmen Sie den Akku aus dem Freischneider.
2. Führen Sie ein Werkzeug mit kleinem Durchmesser (z. B. einen Schraubendreher) durch das Motorgehäuse und in die Nut im Lüfter ein, um den Freischneiderkopf zu sichern, damit er sich nicht frei drehen kann ([Bild 16](#)).

Hinweis: Wenn das Werkzeug in der Bohrung steckt, drehen Sie den Freischneiderkopf, bis Sie spüren, dass der Stab in die Nut fällt.

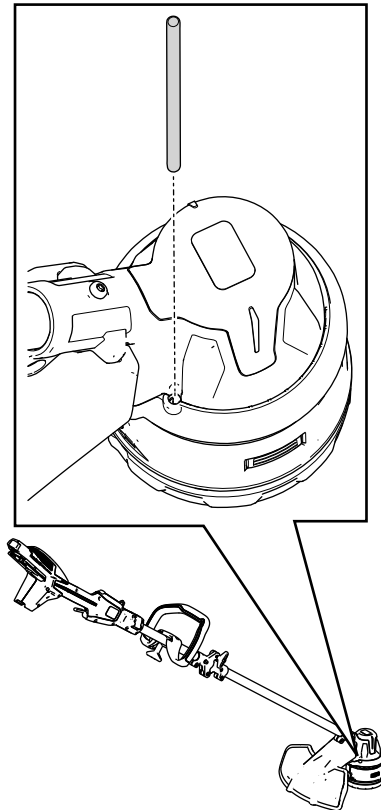


Bild 16

g512077

3. Drehen Sie den Freischneiderkopf mit einem Werkzeug, welches den Freischneiderkopf arretiert, gegen den Uhrzeigersinn, um ihn vom Gewinde des Getriebegehäuses zu entfernen (**Bild 17**).

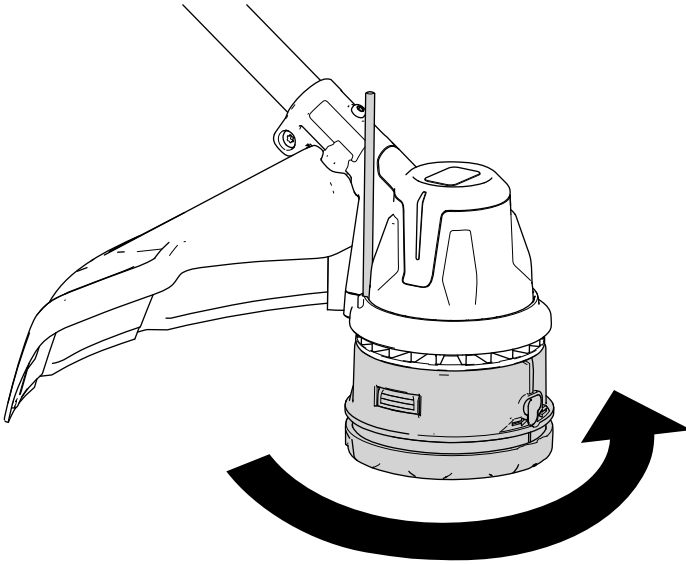


Bild 17

g516022

-
4. Um den neuen Freischneiderkopf anzubringen, drehen Sie ihn im Uhrzeigersinn auf dem Getriebegehäuse, während Sie den Lüfter mit einem Werkzeug festhalten.

Einlagerung

Wichtig: Lagern Sie die Maschine, den Akkupack und das Ladegerät nur bei Temperaturen im angemessenen Bereich; siehe [Technische Daten \(Seite 19\)](#).

Wichtig: Wenn Sie die Maschine für ein Jahr oder länger lagern, nehmen Sie den Akkupack aus der Maschine und laden Sie den Akkupack auf, bis eine oder zwei LED-Anzeigen auf dem Akku grün sind. Lagern Sie ein ganz aufgeladenes oder ganz leeres Akku nicht ein. Wenn Sie die Maschine wieder verwenden möchten, laden Sie den Akkupack auf, bis die linke Anzeigeleuchte am Ladegerät grün leuchtet oder alle vier LED-Anzeigen am Akku grün leuchten.

- Trennen Sie die Kettensäge von der Stromversorgung (d. h. entfernen Sie das Akkupack) und prüfen Sie es nach der Verwendung auf Schäden.
- Entfernen Sie Schmutz und Sägerückstände von der Kettensäge.
- Bewahren Sie die Maschine oder das Ladegerät nicht mit eingebautem Akkupack auf.
- Lagern Sie die Maschine, den Akkupack und das Akkuladegerät außerhalb der Reichweite von Kindern, wenn Sie diese nicht verwenden.
- Halten Sie die Maschine, den Akkupack und das Akkuladegerät fern von ätzenden Materialien, wie z. B. Gartenchemikalien oder Streusalz.
- Lagern Sie das Akkupack nicht draußen oder in Fahrzeugen, um die Gefahr möglicher Verletzungen zu verringern.
- Lagern Sie das Gerät, den Akkupack und das Akkuladegerät an einem sauberen und trockenen Ort.
- Wenn die Maschine zur Aufbewahrung zusammengeklappt wird, hängen Sie diese nicht an den elektrischen Kabelbäumen auf.

Vorbereiten des Akkupacks für das Recyceln

Wichtig: Decken Sie die Pole des Akkupacks nach der Herausnahme mit dickem Klebeband ab. Versuchen Sie nicht, das Akkupack zu zerstören oder auseinanderzubauen oder Teile zu entfernen.



Informationen zum verantwortungsvollen Recyceln des Akkus erhalten Sie bei Ihrer örtlichen Verwaltung oder einem offiziellen Vertragshändler oder Vertriebshändler.

	Lithium-Ionen-Akkus, die mit dem Call2Recycle-Siegel gekennzeichnet sind, können bei jedem teilnehmenden Einzelhändler oder in einer Batterie-Recycling-Anlage des Call2Recycle-Programms recycelt werden (nur USA und Kanada). Um einen teilnehmenden Händler oder eine Einrichtung in Ihrer Nähe zu finden, rufen Sie bitte unter 1-800-822-8837 an oder besuchen Sie www.call2recycle.org .
	Lithium-Ionen-Akkus, die mit dem hier abgebildeten HEB-Siegel (High Energy Battery) gekennzeichnet sind, sowie alle 60-V-Flex-Force-Akkus mit 6,0 Ah oder mehr können bei allen teilnehmenden Händlern oder Einzelhändlern des Call2Recycle HEB-Programms recycelt werden. Um einen teilnehmenden Händler oder Einzelhändler in Ihrer Nähe zu finden, besuchen Sie bitte www.hebattery.org .

Wenn Sie keinen teilnehmenden Händler oder keine teilnehmende Einrichtung in Ihrer Nähe finden können oder Fragen dazu haben, für welches Recyclingprogramm Ihr Akku in Frage kommt, besuchen Sie bitte die in der Bedienungsanleitung Ihres Werkzeugs/Geräts aufgeführte Kundendienstseite, um weitere Informationen zum verantwortungsvollen Recycling des Akkus zu erhalten.

Wenn Sie sich außerhalb der USA und Kanada befinden, wenden Sie sich bitte an Ihren autorisierten Service-Händler oder Ihren Vertragshändler, um weitere Informationen über das verantwortungsvolle Recycling des Akkus zu erhalten.

Fehlersuche und -behebung

Führen Sie nur die in dieser Anleitung beschriebenen Schritte aus. Alle weiteren Prüfungen, Wartungsarbeiten und Reparaturen müssen von einem offiziellen Kundendienstzentrum oder einem ähnlich qualifizierten Fachmann ausgeführt werden, wenn Sie das Problem nicht selbst beheben können.

Nehmen Sie bei der Fehlersuche, Prüfung, Wartung oder Reinigung des Werkzeugs immer den Akku aus dem Werkzeug.

Problem	Mögliche Ursache	Behebungsmaßnahme
Das Werkzeug läuft nicht oder läuft nicht ununterbrochen.	<ol style="list-style-type: none">1. Der Akku ist nicht ganz in das Werkzeug eingesetzt.2. Der Akku ist nicht aufgeladen.3. Der Akku ist nicht im geeigneten Temperaturbereich.4. Die Leitungen des Akkus sind feucht.5. Der Akku ist beschädigt.6. Das Werkzeug hat einen anderen elektrischen Defekt.	<ol style="list-style-type: none">1. Nehmen Sie den Akku heraus und setzen Sie es in das Werkzeug ein; stellen Sie sicher, dass es richtig eingesetzt und verriegelt ist.2. Nehmen Sie den Akku aus dem Werkzeuge heraus und laden es auf.3. Bringen Sie den Akku an einen Ort, der trocken ist und an dem die Temperatur zwischen 5 °C und 40 °C liegt.4. Lassen Sie den Akku trocknen oder trocknen Sie es mit einem Lappen.5. Tauschen Sie den Akku aus.6. Setzen Sie sich mit Ihrem offiziellen Vertragshändler in Verbindung.
Das Werkzeug erreicht nicht die volle Leistung oder das Motorgehäuse wird heiß.	<ol style="list-style-type: none">1. Das Ladevermögen des Akkupacks ist zu niedrig.2. Die Entlüftungen sind verstopft.	<ol style="list-style-type: none">1. Nehmen Sie den Akku aus dem Werkzeug heraus und laden es ganz auf.2. Reinigen Sie die Entlüftungen.

Problem	Mögliche Ursache	Behebungsmaßnahme
Das Werkzeug vibriert zu stark oder ist zu laut.	<ol style="list-style-type: none"> 1. Unter dem Grasschutz oder im Fadenvorschubkopf des Freischneiders befinden sich Schmutz und Ablagerungen. 2. Die Spule ist nicht richtig gewickelt. 	<ol style="list-style-type: none"> 1. Säubern Sie das Gehäuse des Fadenvorschubkopfs von Verunreinigungen, die sich unter dem Grasschutz oder im Gehäuse des Fadenvorschubkopfs befinden. 2. Spulen Sie den Faden mit dem Fadenvorschubkopf vor und/oder entfernen Sie den Faden an der Spule und wickeln Sie die Spule erneut.
Der Fadenvorschubkopf schiebt den Faden nicht weiter.	<ol style="list-style-type: none"> 1. Im Freischneider befindet sich kein Faden. 2. Der Faden hat sich im Gehäuse des Fadenvorschubkopfs verheddert. 3. Unter dem Grasschutz oder im Fadenvorschubkopf des Freischneiders befinden sich Schmutz und Ablagerungen. 	<ol style="list-style-type: none"> 1. Legen Sie einen neuen Faden in den Fadenvorschubkopf ein. 2. Entfernen Sie die Abdeckung des Fadenvorschubkopfs und entfernen Sie den verhedderten Faden. 3. Säubern Sie das Gehäuse des Fadenvorschubkopfs von Verunreinigungen, die sich unter dem Grasschutz oder im Gehäuse des Fadenvorschubkopfs befinden.
Der Akku verliert schnell die Ladung.	<ol style="list-style-type: none"> 1. Der Akku ist nicht im geeigneten Temperaturbereich. 2. Der Freischneider ist überlastet. 	<ol style="list-style-type: none"> 1. Bringen Sie den Akku an einen Ort, der trocken ist und an dem die Temperatur zwischen 5 °C und 40 °C liegt. 2. Schneiden Sie in einem langsameren Tempo.

Hinweise:



Count on it.

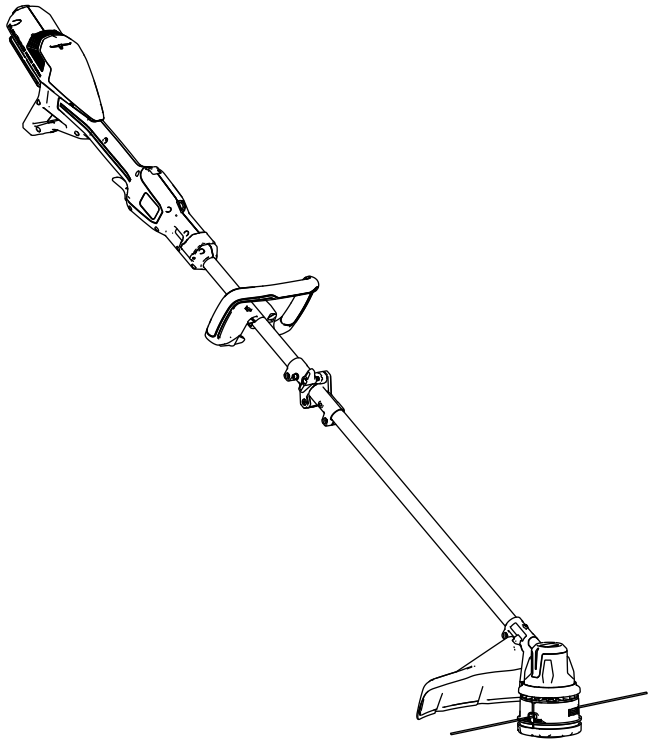


Count on it.

Manual del operador

**Desbrozadora de hilo
Flex-Force Power System®
60 V de 35 cm**

Nº de modelo 51890T—Nº de serie 326000000 y superiores



Registre su producto en
www.Toro.com.
Traducción del original (ES)





Si necesita ayuda, consulte www.Toro.com/support para obtener recursos de instrucciones, o bien póngase en contacto con su Servicio Técnico Autorizado antes de devolver este producto.

Este producto cumple todas las directivas europeas aplicables; para obtener más detalles, consulte la Declaración de conformidad (DOC) de cada producto.

Introducción

Esta desbrozadora está indicada para el corte de hierba por parte de usuarios domésticos en espacios exteriores. Está diseñado para usar baterías de ion litio Flex-Force™ 60V. Estas baterías se han diseñado para cargarse únicamente con cargadores de baterías de ion litio Flex-Force 60V. El uso de este producto para otros fines distintos a los previstos podría ser peligroso para usted y para otras personas.

***Importante:* Si va a utilizar esta máquina con una batería de 8,0 Ah o más, debe instalar el arnés de liberación rápida modelo 139-5334 (no incluido) para obtener un soporte y un equilibrio óptimos.**

No utilice otros arneses ni varios arneses al utilizar la máquina.

El Modelo 51890T no incluye batería ni cargador.

Lea este manual detenidamente para aprender a utilizar y mantener correctamente su producto, y para evitar lesiones y daños en el producto. Usted es responsable de utilizar el producto de forma correcta y segura.

Visite www.Toro.com para buscar materiales de formación y seguridad o información sobre accesorios, para localizar un distribuidor o para registrar su producto.



Si necesita asistencia técnica, piezas originales Toro o información adicional, póngase en contacto con un Servicio Técnico Autorizado o con Atención al cliente de Toro, y tenga a mano los números de modelo y serie de su producto. La [Figura 1](#) identifica la ubicación de los números de modelo y serie en el producto. Escriba los números en el espacio provisto.

Importante: Con su dispositivo móvil, puede escanear el código QR de la pegatina del número de serie (si se incluye) para acceder a información sobre la garantía, las piezas y otros datos sobre el producto.

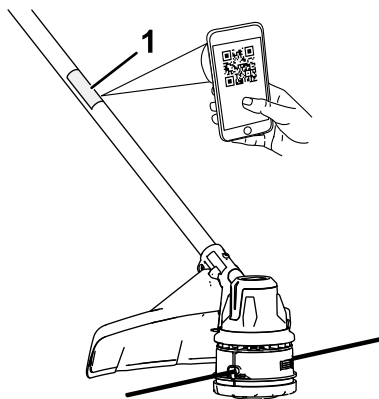


Figura 1

g507019

1. Ubicación del número de modelo, el número de serie y el código QR

Nº de modelo _____
Nº de serie _____

Símbolo de alerta de seguridad

El símbolo de alerta de seguridad (Figura 2) aparece tanto en este manual como en la máquina para identificar mensajes de seguridad importantes que deben seguirse con el fin de evitar accidentes.



Figura 2

Símbolo de alerta de seguridad

g000502

El símbolo de alerta de seguridad aparece encima de información que le avisa de situaciones o acciones no seguras e irá seguido del término **PELIGRO, ADVERTENCIA, o PRECAUCIÓN.**

PELIGRO indica una situación peligrosa inminente que, si no se evita, **provocará** la muerte o lesiones graves.

ADVERTENCIA indica una situación potencialmente peligrosa que, si no se evita, **podría** producir la muerte o lesiones graves.

PRECAUCIÓN indica una situación potencialmente peligrosa que, si no se evita, **puede** producir lesiones menores o moderadas.

Este manual utiliza dos palabras más para resaltar información.

Importante llama la atención sobre información mecánica especial, y

Nota resalta información general que merece una atención especial.

Seguridad

▲ ADVERTENCIA

Lea todas las advertencias, instrucciones, ilustraciones y especificaciones relativas a la seguridad proporcionadas con esta máquina.

El hacer caso omiso de todas las instrucciones enumeradas a continuación puede dar lugar a descargas eléctricas, incendios y/o lesiones graves.

Guarde todas las advertencias e instrucciones para su referencia futura.

El término "máquina" que aparece en todas las advertencias se refiere siempre a una máquina alimentada por el suministro eléctrico de la red (con cable) o una máquina alimentada por batería (sin cable).

I. Seguridad de la zona de trabajo

- 1. Mantenga la zona de trabajo limpia y bien iluminada.** *Las zonas desordenadas u oscuras son una invitación al accidente.*
- 2. No utilice máquinas en atmósferas explosivas, como por ejemplo en presencia de líquidos inflamables, gases o polvo.** *La máquina genera chispas que pueden inflamar el polvo o los vapores.*
- 3. Mantenga alejados a niños y otras personas durante el uso de una máquina.** *Las distracciones pueden hacer que usted pierda el control.*

II. Seguridad eléctrica

- 1. La clavija de la máquina debe ser del tipo correcto para la toma de corriente. Nunca modifique el enchufe en modo alguno. No utilice adaptadores de enchufe con máquinas con toma de tierra.** *El uso de clavijas sin modificar y enchufes apropiados reducirá el riesgo de descarga eléctrica.*
- 2. Evite tocar superficies conectadas a tierra, tales como tuberías, radiadores, cocinas y frigoríficos.** *Hay un mayor riesgo de descarga eléctrica si su cuerpo hace tierra.*
- 3. No exponga las máquinas a la lluvia o a condiciones húmedas.** *Si entra agua en una máquina, aumentará el riesgo de descarga eléctrica.*
- 4. No maltrate el cable. No utilice el cable nunca para transportar, arrastrar o desenchufar la máquina. Mantenga el cable alejado**

del calor, del aceite, de los bordes cortantes y de las piezas móviles. *Los cables dañados o enredados aumentan el riesgo de descarga eléctrica.*

5. **Si utiliza una máquina en el exterior, utilice un cable alargador apto para exteriores.** *El uso de un cable apropiado para el uso en exteriores reduce el riesgo de descarga eléctrica.*
6. **Si no es posible evitar el uso de una máquina en un lugar húmedo, utilice un suministro eléctrico protegido por un dispositivo de corriente residual (interruptor diferencial).** *El uso de un interruptor diferencial reduce el riesgo de descarga eléctrica.*

III. Seguridad personal

1. **Manténgase alerta, esté atento a lo que está haciendo y utilice el sentido común mientras utiliza una máquina. No utilice una máquina si está cansado o bajo la influencia de drogas, alcohol o medicamentos.** *Una breve falta de atención mientras utiliza una máquina podría provocar lesiones personales graves.*
2. **Utilice equipos de protección personal. Lleve siempre protección ocular.** *El uso de equipos de protección personal como mascarillas, calzado de seguridad antideslizante, casco y protección auditiva en condiciones apropiadas reduce el riesgo de lesiones personales.*
3. **Evite el encendido accidental. Asegúrese de que el interruptor está en la posición de APAGADO antes de conectar la herramienta a la toma de corriente y/o a la batería, y antes de levantar o transportar la herramienta.** *Transportar las máquinas con el dedo sobre el interruptor o enchufar máquinas con el interruptor en la posición de encendido es una invitación al accidente.*
4. **Retire cualquier llave de ajuste antes de encender la máquina.** *Si se deja una llave insertada en una parte rotativa de la máquina puede dar lugar a lesiones personales.*
5. **No intente alcanzar zonas demasiado alejadas. Pise firme y mantenga el equilibrio en todo momento.** *Esto permite tener un mayor control de la máquina en situaciones imprevistas.*
6. **Utilice la ropa adecuada. No lleve ropas o joyas sueltas. Mantenga el pelo y la ropa alejados de las piezas móviles.** *La ropa suelta, las joyas y el pelo largo pueden quedar atrapados en piezas móviles.*
7. **Si existen dispositivos para la conexión de sistemas de recogida y extracción de polvo, asegúrese de conectarlos y usarlos correctamente.** *El uso de dispositivos de recolección de polvo puede reducir los riesgos asociados con el polvo.*

8. **No deje que la familiaridad adquirida con el uso frecuente de las herramientas le haga confiarse demasiado y pasar por alto los principios de seguridad de las herramientas.** *Una acción descuidada puede causar lesiones graves en una fracción de un segundo.*

IV. Uso y cuidado de la máquina

1. **No fuerce la máquina. Utilice la máquina adecuada para el trabajo que debe realizarse.** *La máquina correcta realizará el trabajo mejor y con mayor seguridad a la velocidad para la que fue diseñada.*
2. **No utilice la máquina si con el interruptor no se enciende ni se apaga.** *Cualquier máquina que no pueda controlarse con el interruptor es peligrosa y debe repararse.*
3. **Desconecte la clavija del suministro eléctrico y/o extraiga la batería, si es extraíble, de la máquina antes de realizar cualquier ajuste, cambiar de accesorio o almacenar la máquina.** *Estas medidas de seguridad preventivas reducen el riesgo de un arranque accidental de la máquina.*
4. **Si no la está usando, guarde la máquina fuera del alcance de los niños y no permita que la utilicen personas no familiarizadas con la máquina o con estas instrucciones de uso.** *Las máquinas son peligrosas en manos de usuarios inexpertos.*
5. **Mantenimiento de la máquina y los accesorios. Compruebe que las piezas móviles están correctamente alineadas y que se mueven libremente sin agarrotarse, que no hay piezas rotas, y que no hay otras circunstancias que puedan afectar al uso de la máquina. Si existen daños, haga reparar la máquina antes de usarla.** *Muchos accidentes se deben a un mantenimiento deficiente de la máquina.*
6. **Mantenga las herramientas de corte afiladas y limpias.** *Una herramienta de corte bien mantenida con filos bien afilados es más fácil de controlar y hay menos probabilidades de que se agarrote.*
7. **Utilice la máquina, los accesorios, las brocas, etc., según lo indicado en estas instrucciones, teniendo en cuenta las condiciones de trabajo y el trabajo a realizar.** *El uso de la máquina para operaciones diferentes de las previstas podría dar lugar a una situación de peligro.*
8. **Mantenga las asas, empuñaduras y otras superficies de agarre secas, limpias y libres de aceite y grasa.** *Un asa o una superficie de agarre resbaladiza no permite manejar y controlar la herramienta con seguridad en situaciones imprevistas.*

V. Uso y cuidado de las herramientas a batería

1. **Recargar únicamente con el cargador especificado por el fabricante.** *Un cargador diseñado para un tipo de batería puede crear un riesgo de incendio si se utiliza con otra batería.*
2. **Utilice máquinas únicamente con las baterías específicas indicadas.***El uso de otra batería puede crear un riesgo de incendio y lesiones.*
3. **Cuando la batería no está en uso, manténgala alejada de otros objetos metálicos, como por ejemplo clips, monedas, llaves, puntillas u otros objetos metálicos pequeños, que podrían hacer una conexión entre un terminal y otro.** *Un cortocircuito entre los terminales de la batería puede causar quemaduras o un incendio.*
4. **En condiciones de uso incorrecto, puede haber una fuga de líquido de la batería; evite el contacto con dicho líquido. En caso de un contacto accidental, lavar con abundante agua. Si el líquido entra en contacto con los ojos, busque también ayuda médica.** *El líquido expulsado de la batería puede causar irritación o quemaduras.*
5. **No utilice una batería o una herramienta dañada o modificada.** *Las baterías dañadas o modificadas podrían mostrar un comportamiento impredecible que puede provocar incendio, explosión o riesgo de lesiones.*
6. **No exponga una batería o una herramienta al fuego o a temperaturas excesivas.** *La exposición al fuego o a temperaturas superiores a los 130 °C puede causar una explosión.*
7. **Siga todas las instrucciones de carga y no cargue la batería o la herramienta si la temperatura está fuera del intervalo especificado en las instrucciones.** *Cargar la batería o la herramienta de forma incorrecta o a temperaturas que estén fuera del intervalo especificado puede dañar la batería y aumentar el riesgo de incendio.*

VI. Mantenimiento

1. **El mantenimiento de su máquina lo debe realizar un técnico de reparaciones debidamente cualificado, utilizando únicamente piezas de repuesto idénticas.** *Solo de esta manera se garantiza el mantenimiento de la seguridad de la máquina.*
2. **No realice ningún tipo de mantenimiento en una batería dañada.** *El mantenimiento de las baterías solo debe ser realizado por el fabricante o por un servicio técnico autorizado.*

VII. Seguridad para desbrozadoras de hilo

1. **No utilice la máquina en condiciones meteorológicas adversas, especialmente si hay riesgo de rayos.** *Esto reduce el riesgo de que le alcance un rayo.*
2. **Inspeccione cuidadosamente la zona en la que va a utilizar la máquina en busca de fauna salvaje.** *La máquina puede causar lesiones a la fauna salvaje durante el uso.*
3. **Inspeccione detenidamente la zona en la que va a utilizar la máquina y retire cualquier piedra, palo, alambre, hueso u otro objeto extraño.** *Los objetos arrojados pueden causar lesiones personales.*
4. **Antes de usar la máquina, realice siempre una inspección visual para asegurarse de que el cortador y sus componentes no están dañados.** *Las piezas dañadas aumentan el riesgo de lesiones.*
5. **Mantenga colocado los protectores. Los protectores deben estar en buenas condiciones de funcionamiento y estar correctamente montados.** *Si un protector está suelto, dañado o si no funciona correctamente, pueden producirse lesiones personales.*
6. **Mantenga las entradas de aire de refrigeración libres de residuos.** *Las obstrucciones en las entradas de aire y los residuos pueden causar un sobrecalentamiento o un riesgo de incendio.*
7. **Lleve protección ocular y protección auditiva.** *Los equipos de protección adecuados reducen las lesiones personales.*
8. **Mientras utiliza la máquina, lleve siempre calzado de protección antideslizante. No haga funcionar la máquina estando descalzo, o llevando sandalias.** *Esto reduce la posibilidad de sufrir lesiones en los pies por contacto con el cortador en movimiento.*
9. **Lleve siempre pantalón largo u otra prenda similar que le cubra las piernas mientras utiliza la máquina.** *El contacto con el cortador o el hilo de corte en movimiento puede causar lesiones.*
10. **No deje que nadie se acerque mientras la máquina está en uso.** *Los residuos arrojados pueden causar lesiones personales graves.*
11. **No utilice la máquina a una altura por encima de la cintura.** *Esto ayuda a evitar un contacto involuntario con el cortador y permite un mayor control de la máquina en situaciones imprevistas.*
12. **Extreme las precauciones al utilizar la máquina en hierba mojada. Camine, nunca corra.** *Así se reduce el riesgo de tropezar y caer, lo que puede producir lesiones personales.*
13. **No utilice la máquina en pendientes excesivamente empinadas.** *Esto reduce el riesgo de pérdida de control, deslizamiento y caída, lo cual puede causar lesiones personales.*

14. **Al trabajar en pendientes, asegúrese siempre de pisar debidamente, trabaje siempre de lado a lado, nunca de arriba a abajo, y extreme la precaución al cambiar de dirección. Esto reduce el riesgo de pérdida de control, deslizamiento y caída, lo cual puede causar lesiones personales.**
15. **Mantenga todos los cables eléctricos alejados de la zona de corte. Los cables eléctricos pueden quedar ocultos entre los setos o arbustos y ser cortados o dañados accidentalmente por el cortador o el hilo de corte.**
16. **Mantenga todas las partes del cuerpo alejadas del cortador o hilo de corte mientras están en movimiento. No elimine material de la máquina hasta que haya sido desconectada de la fuente de alimentación. El cortador o el hilo de corte pueden causar lesiones personales graves cuando están en movimiento.**
17. **Transporte la máquina con la máquina apagada y alejada del cuerpo. Un manejo correcto de la máquina reducirá la posibilidad de contacto accidental con el cortador o el hilo de corte en movimiento.**
18. **Utilice solamente los cabezales de corte, cortadores e hilos de corte de repuesto especificados por el fabricante. No sustituya los cortadores o los hilos de corte por alambres o cuchillas metálicos. Las piezas de repuesto incorrectas pueden causar pérdidas de control, rotura y lesiones.**
19. **Antes de eliminar material atascado o realizar tareas de mantenimiento en la máquina, asegúrese de que el interruptor está apagado y la batería ha sido retirada. Si la máquina arranca inesperadamente durante la eliminación de material atascado o durante el mantenimiento, puede causar lesiones personales graves.**

GUARDE ESTAS INSTRUCCIONES




Símbolos de pegatinas



Las pegatinas de seguridad e instrucciones están a la vista del operador y están ubicadas cerca de cualquier zona de peligro potencial. Sustituya cualquier pegatina que esté dañada o que falte.

Las tablas siguientes describen los símbolos instructivos y de seguridad que aparecen en las calcomanías.

Símbolo de la calcomanía de la desbrozadora de hilo	Explicación
	Peligro de objetos arrojados
	Advertencia
	No usar en condiciones húmedas.
	No utilice cuchillas metálicas
<p>15 m (50 ft)</p> 	Mantenga a otras personas a una distancia mínima de 15 m de la máquina.
	Mantenga a otras personas alejadas de la máquina.
	Mantenga a otras personas alejadas de la máquina en todas las direcciones.
	Mantenga colocados todos los protectores y defensas.
	Lea el <i>Manual del operador</i> .
	Retire la batería antes de realizar tareas de mantenimiento.

	Manténgase alejado de las piezas en movimiento.
	Utilice hilo flexible.
	Lleve protección ocular y auditiva.

Montaje

Piezas sueltas

Utilice la tabla siguiente para verificar que no falta ninguna pieza.

Procedimiento	Descripción	Cant.	Uso
1	Pomo del conector	1	Despliegue el eje.
2	Empuñadura.	1	Instale la empuñadura auxiliar.
3	Protector Tornillo	1 2	Instale el protector.

1

Despliegue del eje

Piezas necesarias en este paso:

1	Pomo del conector
---	-------------------

Procedimiento

1. Despliegue el eje ([Figura 3, A](#)).
2. Apriete el pomo del acoplador para conectar las secciones del mango ([Figura 3, B](#)).

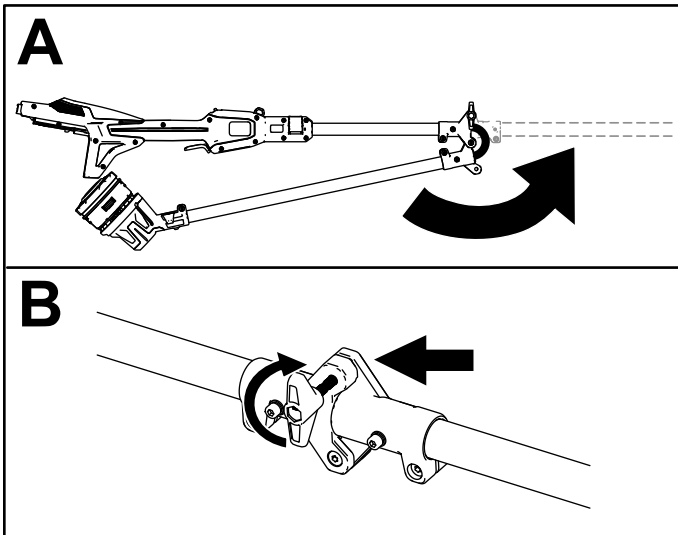


Figura 3

g507675

2

Instalación de la empuñadura auxiliar

Piezas necesarias en este paso:

1	Empuñadura.
---	-------------

Procedimiento

1. Separe la empuñadura auxiliar del soporte desenroscando el pomo de bloqueo de la empuñadura y retirando el perno (Figura 4, A).

Importante: El perno puede estar incrustado en el plástico de la empuñadura; golpee suavemente la parte inferior del perno hasta que quede libre.

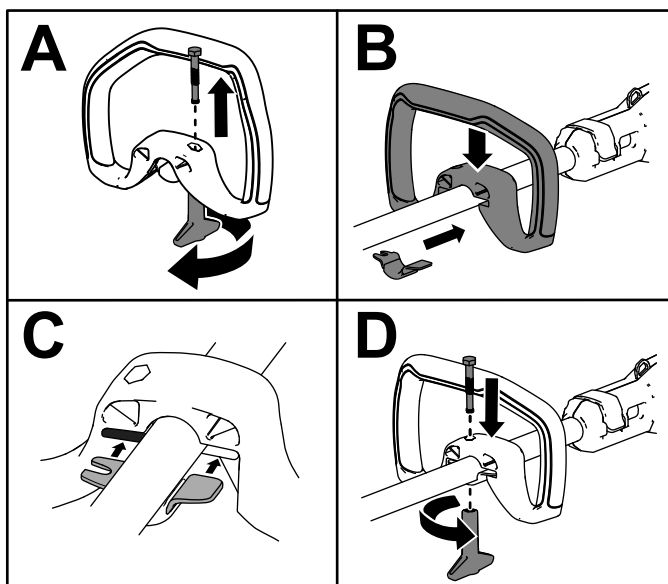


Figura 4

2. Alinee el soporte con la empuñadura auxiliar (Figura 4, B).
3. Deslice el soporte en la ranura de la empuñadura auxiliar (Figura 4, C).

g507673

4. Sujete el soporte inferior a la empuñadura auxiliar con el pomo de bloqueo del manillar y el perno que retiró anteriormente (Figura 4, D).

3

Instalación del protector

Piezas necesarias en este paso:

1	Protector
2	Tornillo

Procedimiento

Sujete el protector en la base de la desbrozadora con los 2 tornillos.

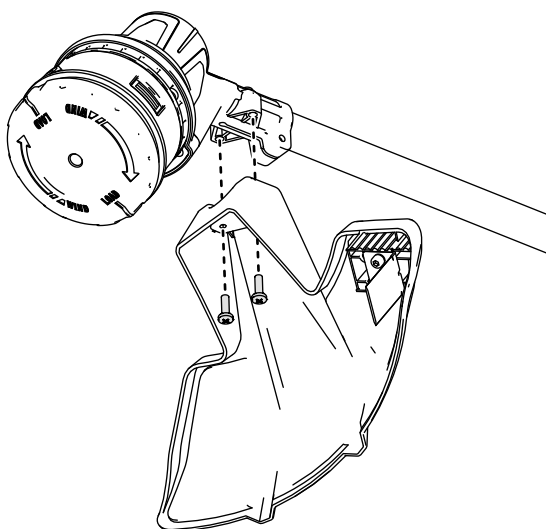


Figura 5

g507687

El producto

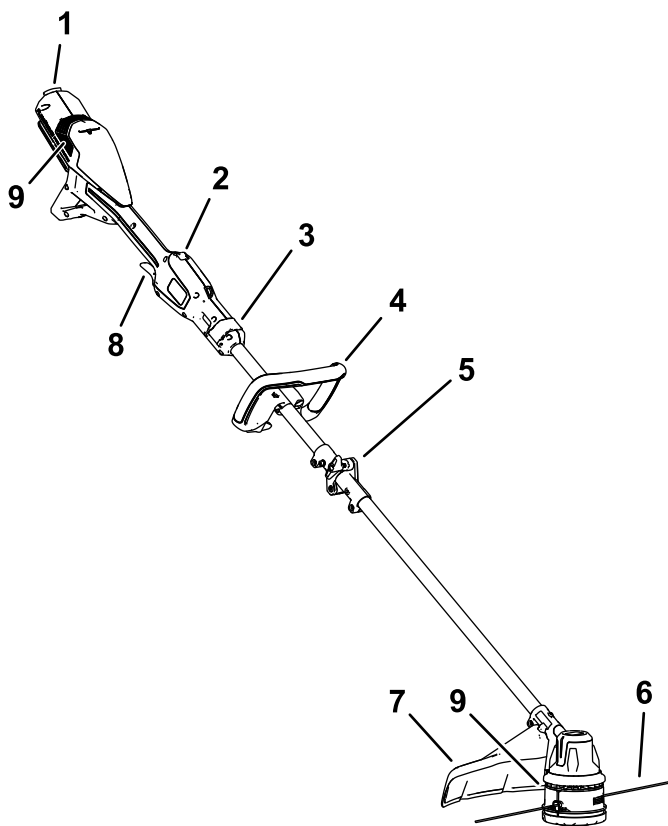


Figura 6

- | | |
|--------------------------------|--|
| 1. Enganche de la batería | 6. Hilo de corte |
| 2. Interruptor de bloqueo | 7. Protector |
| 3. Pestillo telescópico | 8. Gatillo de accionamiento |
| 4. Empuñadura | 9. Orificios de ventilación de la desbrozadora |
| 5. Acoplador central del mango | |

g507020

Especificaciones

Modelo	51890T
Voltaje nominal	Máximo 60 VCC , uso nominal 54 V CC
Tipo de cargador	Cargadores de ion litio Flex-Force 60V
Tipo de batería	Baterías de ion litio Flex-Force 60V*

Si va a utilizar esta máquina con una batería de 8,0 Ah o más, debe instalar el arnés de liberación rápida modelo 139-5334 (no incluido).

Intervalos de temperatura adecuados

Cargue/guarde la batería a	5 °C a 40 °C*
Utilice la batería a	-30 °C y 49 °C
Utilice la desbrozadora a	0 °C a 49 °C
Guarde la desbrozadora a	0 °C a 49 °C *

*El tiempo de carga será mayor si la temperatura no está en este intervalo durante la carga.

Guarde la herramienta, la batería y el cargador en un lugar cerrado, limpio y seco.

Accesorios/aperos

Está disponible una selección de aperos y accesorios homologados por Toro que se pueden utilizar con la máquina a fin de potenciar y aumentar sus prestaciones. Póngase en contacto con su servicio técnico autorizado o con su distribuidor Toro autorizado, o bien visite www.Toro.com para obtener una lista de todos los aperos y accesorios homologados.

Para asegurar un rendimiento óptimo y mantener la certificación de seguridad de la máquina, utilice solamente piezas y accesorios genuinos Toro. Las piezas de repuesto y los accesorios de otros fabricantes podrían ser peligrosos.

Operación

Arranque de la desbrozadora

1. Compruebe que los orificios de ventilación de la desbrozadora están libres de polvo y residuos.
2. Alinee el hueco de la batería con la lengüeta del alojamiento de la unidad de potencia (Figura 7).
3. Introduzca la batería en la unidad de potencia hasta la batería encaje en el pestillo (Figura 7).

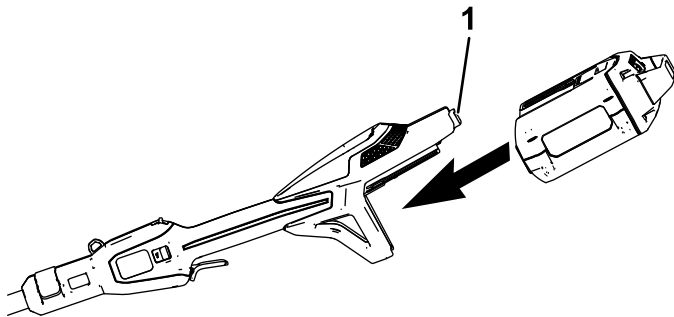


Figura 7

g507688

1. Enganche de la batería

-
4. Para arrancar la desbrozadora, mueva hacia atrás el interruptor de bloqueo y apriete el gatillo de velocidad variable (Figura 8).

Nota: Mueva el interruptor del intervalo de velocidad para cambiar la velocidad de la desbrozadora.

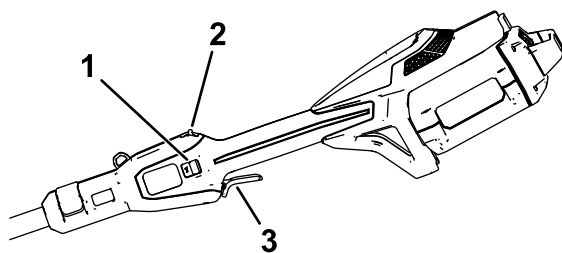


Figura 8

g507689

1. Interruptor del intervalo de velocidad
2. Interruptor de bloqueo
3. Gatillo de velocidad variable

Cómo apagar la desbrozadora

Para apagar la desbrozadora, suelte el gatillo y el interruptor de bloqueo.

Cuando no esté utilizando la desbrozadora o la esté transportando hacia o desde el área de trabajo, retire la batería.

Cómo retirar la batería de la desbrozadora

Presione el enganche de la batería para liberar la batería, y retire la batería de la máquina (Figura 9).

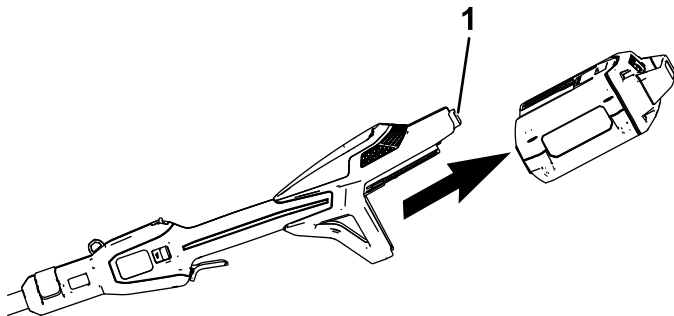


Figura 9

g507691

1. Enganche de la batería

Ajuste de la posición de la empuñadura auxiliar

1. Afloje el pomo de bloqueo en la parte inferior de la empuñadura auxiliar.
2. Ajuste la posición de la empuñadura auxiliar en el mango hasta que pueda sostener la desbrozadora en una posición neutra y cómoda durante el uso.
3. Apriete el pomo de bloqueo de la palanca para fijar la posición de la empuñadura auxiliar.

Ajuste de la longitud del mango

1. Abra el pestillo telescópico en la parte delantera de la empuñadura.
2. Extienda o retraiga el mango hasta que pueda sostener la desbrozadora en una posición neutra y cómoda durante el uso.
3. Cierre el pestillo telescópico para fijar la posición del mango.

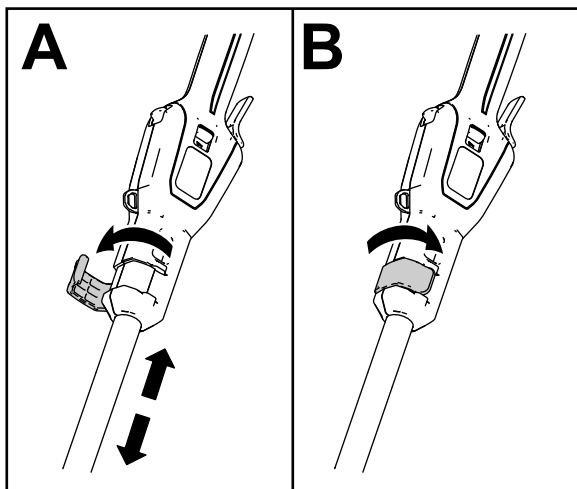


Figura 10

g507705

Avance del hilo usando alimentación por golpe

1. Ponga la herramienta en marcha a toda potencia.
2. Golpee el cabezal de choque contra el suelo para avanzar el hilo. El hilo avanza cada vez que se golpea el cabezal de choque.

Importante: No sujete el cabezal de choque contra el suelo mientras la desbrozadora está en marcha.

Nota: La cuchilla recortadora del hilo, situada en el deflector de hierba, corta el hilo a la longitud correcta.

Nota: Si el hilo está demasiado corto, puede que no sea posible hacerlo avanzar golpeándolo sobre el suelo. Si es así, suelte el gatillo y el interruptor de bloqueo; consulte [Avance manual del hilo \(página 22\)](#).

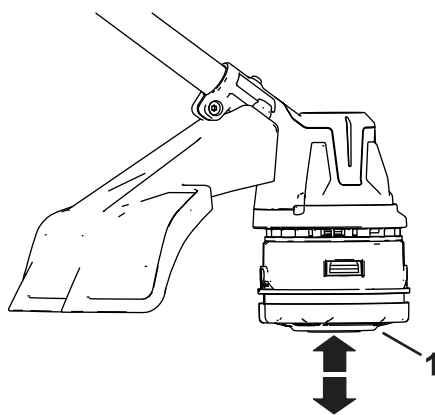


Figura 11

g507693

1. Cabezal de choque

Avance manual del hilo

Retire la batería de la desbrozadora, luego presione el cabezal de choque, situado en la base del retén del carrete, mientras tira del hilo de la desbrozadora para avanzar el hilo manualmente.

Uso del arnés de hombro

Importante: Si utiliza la desbrozadora de hilo con una batería de 8,0 Ah o más instalada, instale el arnés de hombro (no incluido).

No utilice el arnés de hombro si va a utilizar la mochila y el cable de conexión como fuente de alimentación de la desbrozadora; utilice únicamente el arnés de la mochila.

Conecte el clip del arnés de hombro a la anilla de la parte superior de la empuñadura (Figura 12).

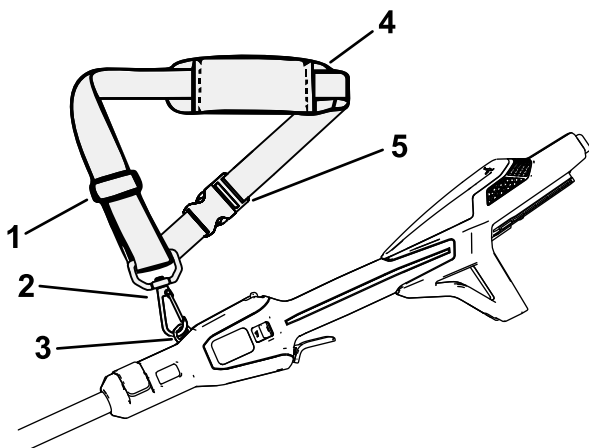


Figura 12

g507529

- | | |
|-----------------------------------|-------------------------------|
| 1. Hebilla de ajuste de la correa | 4. Almohadilla |
| 2. Clip giratorio | 5. Hebilla de apertura rápida |
| 3. Anilla | |

La longitud de la correa es ajustable; deslice la hebilla de ajuste hacia arriba para reducir la longitud de la correa, o hacia abajo para aumentar la longitud de la correa (Figura 12).

Si alguna vez necesita quitarse el arnés rápidamente, desconecte la hebilla de apertura rápida como se indica a continuación:

1. Presione hacia dentro los lados de la hebilla (Figura 13, A).

2. Deje que se desconecte la hebilla (Figura 13, B).

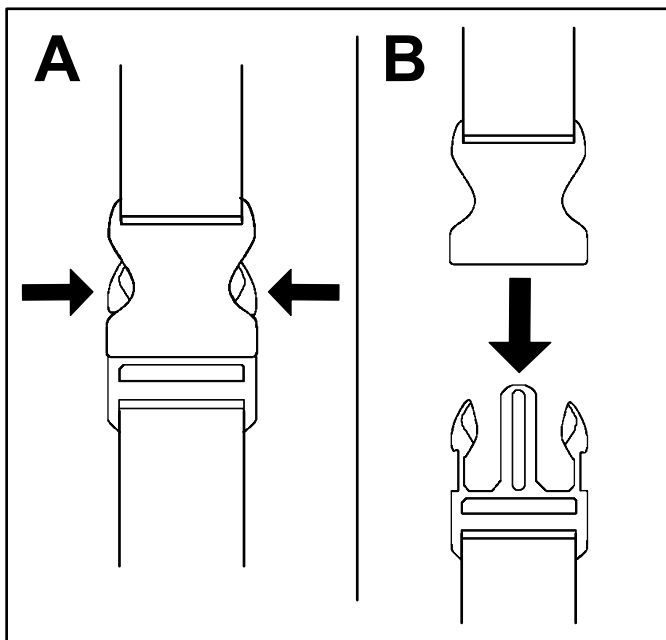


Figura 13

g340477

Consejos de operación

- Mantenga la desbrozadora inclinada hacia la zona que está cortando; ésta es la mejor zona de corte.
- La desbrozadora de hilo corta al moverla de derecha a izquierda. Esto evita que la desbrozadora arroje residuos hacia usted.
- Para cortar, utilice el extremo del hilo de corte; no introduzca el cabezal entero de la desbrozadora en la hierba sin cortar.
- Las vallas de alambre o de madera pueden provocar que el hilo se desgaste rápidamente, e incluso pueden romperlo. Los muros de piedra o ladrillo, los bordillos y la madera también pueden desgastar el hilo rápidamente.
- Evite los árboles y los arbustos. El hilo puede dañar fácilmente la corteza de los árboles, las molduras de madera, los revestimientos, y los postes de las vallas.

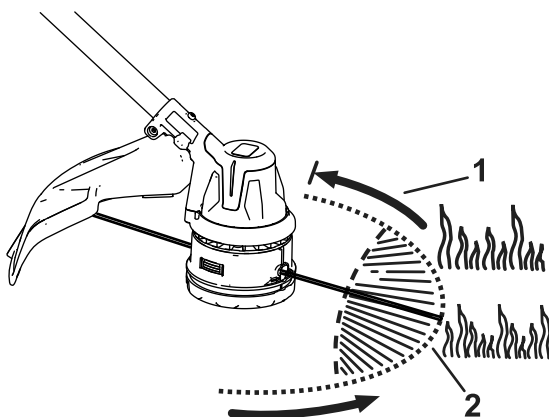


Figura 14

1. Sentido de rotación

2. Recorrido del hilo de corte

g507692

Mantenimiento

Después de cada uso del cortasetos, complete los procedimientos siguientes:

1. Retire la batería de la desbrozadora.
2. Limpie la desbrozadora pasando un paño húmedo. No lave la desbrozadora con una manguera ni la sumerja en agua.

⚠ CUIDADO

La cuchilla de corte del hilo, situada en el deflector, está muy afilada y puede cortarle.

No utilice las manos para limpiar el deflector o la cuchilla.

3. Limpie el cabezal de corte con un paño, rascando si es necesario, si observa una acumulación de residuos.
4. Compruebe y apriete todas las fijaciones. Repare o sustituya cualquier pieza dañada o que falte.
5. Con un cepillo, elimine cualquier residuo de las entradas de aire de la unidad de potencia y del escape de la carcasa del motor para evitar que el motor se sobrecaliente.

Sustitución del hilo de corte

Utilice solamente hilo de corte monofilamento de 2,0 mm de diámetro o hilo de corte monofilamento torcido de 2,4 mm de diámetro de Toro.

1. Retire la batería de la desbrozadora.
2. Retire cualquier hilo que haya quedado en el carrete presionando repetidas veces el cabezal de choque y tirando del hilo por igual en ambos lados de la desbrozadora.
3. Corte un trozo de hilo de no más de 7,3 m.

Importante: No sobrecargue el carrete.

Importante: No utilice ningún otro tipo o grosor de hilo, porque podría dañar la desbrozadora.

4. Pulse y gire el cabezal de choque en el sentido indicado por las flechas de la parte inferior del cabezal de choque (sentido horario) hasta que las marcas laterales del cabezal estén alineadas con las marcas situadas debajo de los ojales (Figura 15).

5. Introduzca un extremo del hilo directamente en el ojal, y empuje el hilo hasta que salga por el ojal del otro lado.

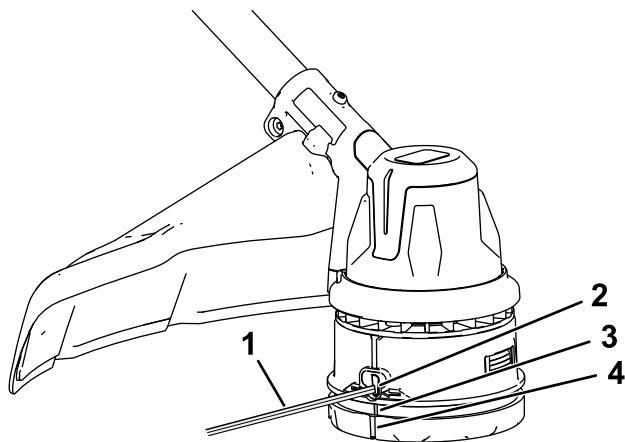


Figura 15

g507694

1. Hilo de corte
2. Ojal
3. Marca de alineación del ojal
4. Marca de alineación del cabezal de choque

***Importante:* No desmonte el cabezal de la desbrozadora.**

6. Tire del hilo por los ojales hasta que quede la misma longitud de hilo en cada lado del cabezal de la desbrozadora.
7. Sujete el cabezal con una mano. Con la otra mano, gire la parte inferior del cabezal de la desbrozadora en el sentido indicado por las flechas (sentido horario) de la parte inferior del cabezal de choque para enrollar el hilo; deje sobresalir del ojal unos 15 cm de hilo en cada lado.

Sustitución del cabezal de la desbrozadora

1. Retire la batería de la desbrozadora.
2. Introduzca una herramienta de pequeño diámetro (por ejemplo, un destornillador) a través de la carcasa del motor y en la ranura del ventilador para bloquear el cabezal de la desbrozadora para que no pueda girar libremente (Figura 16).

Nota: Con la herramienta insertada en el orificio, gire el cabezal de la desbrozadora hasta que note que la varilla caiga en la ranura.

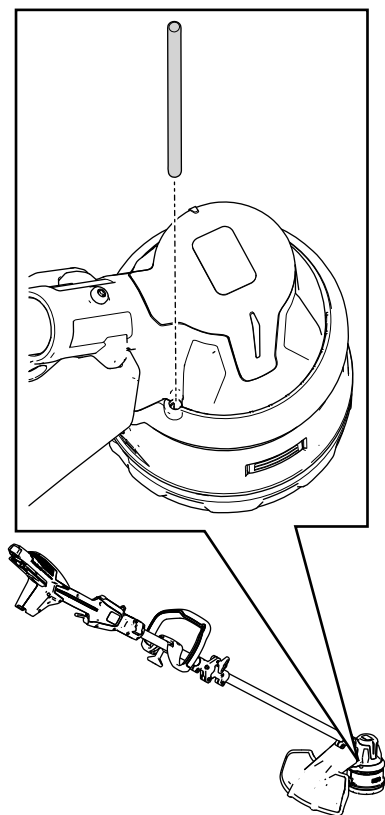


Figura 16

g512077

3. Con el cabezal de la desbrozadora inmovilizado por la herramienta, gire el cabezal de la desbrozadora en sentido antihorario para retirarla del espárrago roscado de la caja de engranajes (**Figura 17**).

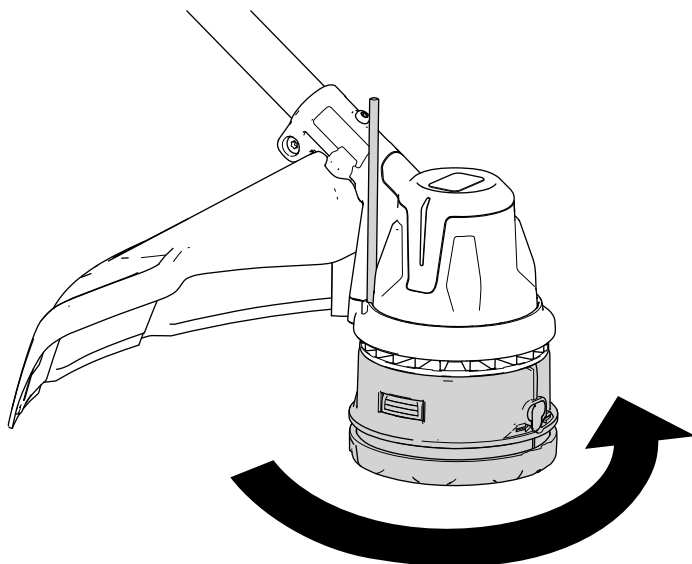


Figura 17

g516022

-
4. Para instalar el cabezal nuevo, gírelo en sentido horario sobre el espárrago de la caja de engranajes mientras sujeta el ventilador con una herramienta.

Almacenamiento

Importante: Almacene la máquina, la batería y el cargador solo a temperaturas que estén dentro del intervalo apropiado; consulte [Especificaciones \(página 18\)](#).

Importante: Si va a almacenar la máquina durante un año o más, retire la batería de la máquina y cargue la batería hasta que 1 o 2 de los indicadores LED de la batería se enciendan en color verde. No almacene la batería completamente cargada ni completamente descargada. Antes de volver a usar la máquina, cargue la batería hasta que se vuelva verde el indicador izquierdo del cargador, o hasta que los 4 indicadores LED de la batería se vuelvan verdes.



- Desconecte la máquina del suministro de energía (es decir, retire la batería) y compruebe si hay daños después del uso.
- Limpie cualquier material extraño del producto.
- No guarde la máquina ni el cargador con la batería instalada.
- Cuando no se estén utilizando, almacene la máquina, la batería y el cargador de la batería fuera del alcance de los niños.
- Mantenga la máquina, la batería y el cargador de la batería alejados de agentes corrosivos como productos fitosanitarios de jardín o sal para deshielo.
- Para reducir el riesgo de lesiones personales graves, no almacene la batería en el exterior o en un vehículo.
- Guarde la máquina, la batería y el cargador en un lugar cerrado, limpio y seco.
- Cuando la máquina está plegada para el almacenamiento, no la cuelgue del arnés eléctrico.

Preparación de la batería para el reciclado

Importante: Al retirarla, cubra los terminales de la batería con cinta adhesiva de servicio pesado. No intente destruir o desmontar la batería ni intente retirar cualquiera de los componentes de la misma.



Póngase en contacto con las autoridades municipales o con el Servicio Técnico Autorizado o el distribuidor si desea obtener más información sobre cómo reciclar la batería de forma responsable.

 The logo for Call2Recycle, featuring a circular design with the word "RECYCLE" at the top, "R B R C" in the center, and "Li-ion" at the bottom. The phone number "1-800-822-8837" is written around the bottom edge of the circle.	<p>Las baterías de iones de litio que incluyen el sello Call2Recycle se pueden reciclar a través de cualquier minorista que participe en el programa Call2Recycle o en un centro de reciclaje de baterías de dicho programa (solo en EE. UU. y Canadá). Para localizar al minorista o a la instalación participante más cercana, llame al 1-800-822-8837, o bien visite www.call2recycle.org.</p>
 The logo for End-of-Life Management, featuring a circular design with the text "END-OF-LIFE MANAGEMENT" around the top and "HEBATTERY.ORG" around the bottom. In the center, there is a battery icon with a lightning bolt and the text "LITHIUM ION (Li-ion)".	<p>Las baterías de iones de litio que incluyan el sello de batería de alta energía o High Energy Battery (HEB) mostrado aquí, así como cualquier batería Flex-Force 60 V de 6,0 Ah o más, se pueden reciclar en cualquier distribuidor o vendedor minorista participante en el programa Call2Recycle HEB. Para localizar al distribuidor o vendedor minorista participante más cercano a su ubicación, visite www.hebattery.org.</p>

Si no puede localizar a un vendedor o a un centro participante cercano, o bien si tiene preguntas sobre a qué programa de reciclaje puede acogerse su batería, visite el sitio de asistencia al cliente que aparece en el manual del usuario de su herramienta/equipo para obtener más información sobre cómo reciclar la batería de forma responsable.

Si se encuentra fuera de EE.UU. y Canadá, póngase en contacto con su distribuidor o con el Servicio Técnico Autorizado para obtener más información sobre cómo reciclar las baterías de forma responsable.

Solución de problemas

Realice solo los pasos descritos en estas instrucciones. Cualquier otro trabajo de inspección, mantenimiento o reparación debe ser realizado por un Servicio Técnico Autorizado o por un especialista autorizado si no puede solucionar el problema usted mismo.

Retire siempre la batería de la herramienta al localizar averías, inspeccionar, mantener o limpiar la herramienta.

Problema	Posible causa	Acción correctora
La herramienta no funciona o funciona de forma intermitente.	<ol style="list-style-type: none">1. La batería no está correctamente instalada en la herramienta.2. La batería no está cargada.3. La batería está por encima o por debajo del intervalo de temperatura adecuado.4. Hay humedad en los cables de la batería.5. La batería está dañada.6. Hay otro problema eléctrico con la herramienta.	<ol style="list-style-type: none">1. Retire y luego vuelva a colocar la batería en la herramienta, asegurándose de que está completamente instalada y bloqueada.2. Retire la batería de la herramienta y cárguela.3. Traslade la batería a un lugar seco cuya temperatura sea de entre 5 °C y 40 °C.4. Deje que la batería se seque o séquela con un paño.5. Sustituya la batería.6. Póngase en contacto con el Servicio Técnico Autorizado.
La herramienta no alcanza su potencia completa o la carcasa del motor se calienta.	<ol style="list-style-type: none">1. La batería está casi descargada.2. Los orificios de ventilación están obstruidos.	<ol style="list-style-type: none">1. Retire la batería de la herramienta y cargue la batería completamente.2. Limpie los orificios de ventilación.
La herramienta produce vibraciones o ruidos excesivos.	<ol style="list-style-type: none">1. Hay residuos debajo del deflector de hierba o en la carcasa del cabezal de choque de la desbrozadora.2. El carrete no está bien enrollado.	<ol style="list-style-type: none">1. Limpie cualquier residuo de debajo del deflector de hierba o de la carcasa del cabezal de choque.2. Haga avanzar el hilo usando el cabezal de choque y/o retire el hilo del carrete y vuelva a enrollarlo en el carrete.

Problema	Posible causa	Acción correctora
El cabezal de choque no avanza el hilo.	<ol style="list-style-type: none"> 1. La desbrozadora se ha quedado sin hilo. 2. El hilo se ha enredado en la carcasa del cabezal de choque. 3. Hay residuos debajo del deflector de hierba o en la carcasa del cabezal de choque de la desbrozadora. 	<ol style="list-style-type: none"> 1. Añada más hilo al cabezal de choque. 2. Retire la cubierta del cabezal de choque y desenrede el hilo. 3. Limpie cualquier residuo de debajo del deflector de hierba o de la carcasa del cabezal de choque.
La batería se descarga rápidamente.	<ol style="list-style-type: none"> 1. La batería está por encima o por debajo del intervalo de temperatura adecuado. 2. La desbrozadora está sobrecargada. 	<ol style="list-style-type: none"> 1. Traslade la batería a un lugar seco cuya temperatura sea de entre 5 °C y 40 °C. 2. Recorte a una velocidad más lenta.



Count on it.

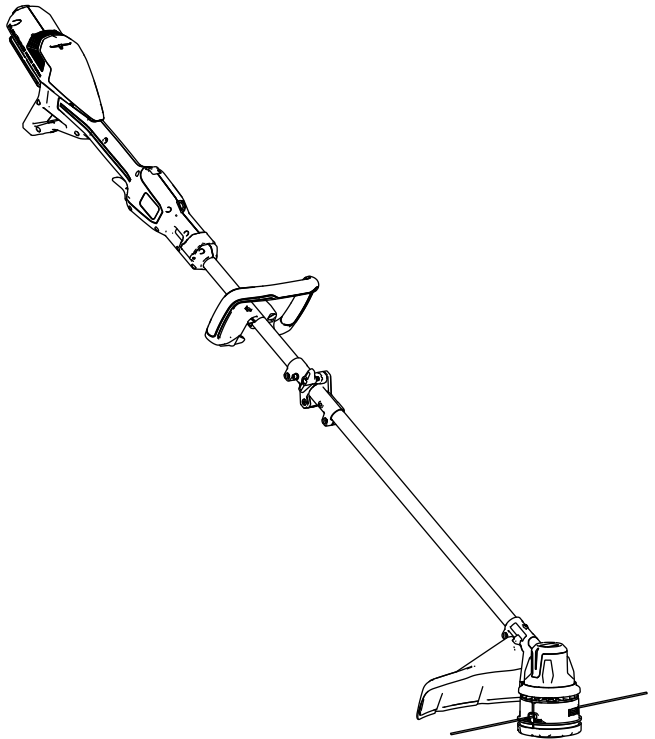


Count on it.

Manuel de l'utilisateur

**Débroussailleuse
Flex-Force Power System®
60 V, 35 cm**

N° de modèle 51890T—N° de série 326000000 et suivants



Enregistrez votre produit à
www.Toro.com.
Traduction du texte d'origine (FR)



* 3 4 8 0 - 1 9 1 *



**Si vous avez besoin d'aide,
veuillez consulter le site
www.Toro.com/support
pour obtenir des
documents didactiques
ou contactez votre
concessionnaire-
réparateur agréé avant
de renvoyer ce produit.**

Ce produit est conforme à toutes les directives européennes pertinentes. Pour plus de renseignements, reportez-vous à la Déclaration de conformité spécifique du produit fournie séparément.

Introduction

Cette débroussailleuse est destinée au grand public et permet de couper l'herbe en extérieur, selon les besoins. Elle est conçue pour fonctionner avec des batteries lithium-ion Flex-Force™ de 60 V. Ces batteries sont conçues pour être chargées uniquement avec des chargeurs de batteries lithium-ion Flex-Force de 60 V. L'utilisation de ce produit à d'autres fins que celle prévue peut être dangereuse pour vous-même et toute personne à proximité.

Important: Si vous utilisez cette machine avec une batterie de 8,0 Ah ou plus, vous devez installer la sangle à fixation rapide, modèle 139-5334, (non incluse) pour assurer un soutien et un équilibre corrects.

N'utilisez pas d'autres types sangles ou plusieurs sangles à la fois.

Le modèle 51890T ne comprend pas de batterie ni de chargeur.

Lisez attentivement cette notice pour apprendre comment utiliser et entretenir correctement votre produit, et éviter ainsi de l'endommager ou de vous blesser. Vous êtes responsable de l'utilisation sûre et correcte du produit.

Rendez-vous sur www.Toro.com pour tout document de formation à la sécurité et à l'utilisation des produits, pour tout renseignement concernant

© 2026—The Toro®
Company
8111 Lyndale Avenue
South
Bloomington, MN
55420

Enregistrez
votre produit à
www.Toro.com.

CE UK
CA

Traduction du texte
d'origine (FR)
Imprimé en Chine
Tous droits réservés



* 3 4 8 0 - 1 9 1 *

un produit ou un accessoire, pour obtenir l'adresse des concessionnaires ou pour enregistrer votre produit.

Pour obtenir des prestations de service, des pièces d'origine ou des renseignements complémentaires, munissez-vous des numéros de modèle et de série du produit et contactez un concessionnaire-réparateur agréé ou le service client du fabricant. La **Figure 1** indique l'emplacement des numéros de modèle et de série du produit. Inscrivez les numéros dans l'espace réservé à cet effet.

Important: Avec votre appareil mobile, vous pouvez scanner le QR code sur l'autocollant du numéro de série (le cas échéant) afin d'accéder aux informations sur la garantie, les pièces détachées et autres renseignements concernant le produit.

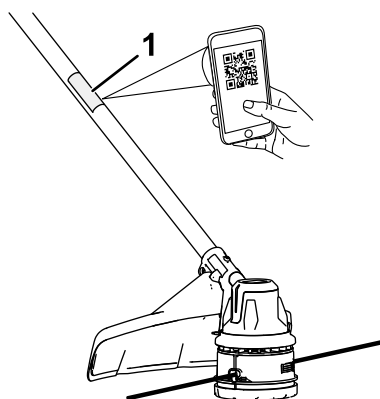


Figure 1

g507019

1. Emplacement du numéro de modèle, du numéro de série et du QR code

N° de modèle _____

N° de série _____

Symbole de sécurité

Le symbole de sécurité (Figure 2) utilisé dans ce manuel et sur la machine identifie d'importants messages de sécurité dont vous devez tenir compte pour éviter des accidents.



Figure 2

Symbole de sécurité

g000502

Le symbole de sécurité apparaît au-dessus de toute information signalant des actions ou des situations dangereuses. Il est suivi de la mention **DANGER**, **ATTENTION** ou **PRUDENCE**.

DANGER signale un danger immédiat qui, s'il n'est pas évité, **entraînera obligatoirement** des blessures graves ou mortelles.

ATTENTION signale un danger potentiel qui, s'il n'est pas évité, **risque d'entraîner** des blessures graves ou mortelles.

PRUDENCE signale un danger potentiel qui, s'il n'est pas évité, **peut éventuellement entraîner** des blessures légères ou modérées.

Ce manuel utilise également deux autres termes pour faire passer des informations essentielles. **Important** pour attirer l'attention sur des informations d'ordre mécanique spécifiques et **Remarque** pour souligner des informations d'ordre général méritant une attention particulière.

Sécurité

ATTENTION

Prenez connaissance de toutes les consignes de sécurité, instructions, illustrations et spécifications qui accompagnent cet appareil.

Le non respect de toutes les instructions énoncées ci-après peut entraîner des chocs électriques, un incendie et/ou des blessures graves.

Conservez toutes les mises en garde et instructions à titre de référence.

Le terme *appareil* utilisé dans toutes les mises en garde renvoie à tout appareil branché sur le secteur (câblé) ou alimenté par batterie (sans fil).

I. Sécurité sur la zone de travail

1. **La zone de travail doit être propre et bien éclairée.** *Les endroits sombres et encombrés sont propices aux accidents.*
2. **N'utilisez jamais les appareils dans des atmosphères explosives, en présence de liquides, gaz ou poussière inflammables par exemple.** *Les appareils produisent des étincelles qui peuvent enflammer la poussière ou les vapeurs ou les émanations.*
3. **Tenez enfants et adultes à distance pendant l'utilisation d'un appareil.** *Les distractions peuvent entraîner la perte de contrôle de l'outil.*

II. Consignes de sécurité électrique

1. **Les fiches des appareils doivent correspondre au type de prise. Ne modifiez jamais la fiche électrique. N'utilisez pas d'adaptateurs avec les appareils reliés à la terre.** *Les fiches et prises correspondantes non modifiées réduisent le risque de choc électrique.*
2. **Évitez tout contact du corps avec des surfaces reliées à la terre/masse, par exemple tuyaux, radiateurs, cuisinières et réfrigérateurs.** *Le risque de choc électrique augmente si votre corps est relié à la terre.*
3. **N'exposez pas les appareils à la pluie ou à l'humidité.** *Toute infiltration d'eau dans un appareil augmente le risque de choc électrique.*
4. **Ne maltraitez pas le cordon d'alimentation. Ne vous servez jamais du cordon pour transporter, tirer ou débrancher l'appareil. Tenez le cordon électrique éloigné de la chaleur, de l'huile, des arêtes vives et des pièces mobiles.** *Les cordons endommagés ou emmêlés augmentent le risque de choc électrique.*
5. **Si vous utilisez un appareil à l'extérieur, utilisez toujours une rallonge adaptée à l'usage extérieur.** *L'utilisation d'une rallonge prévue pour l'usage extérieur réduit le risque de choc électrique.*
6. **Si l'utilisation d'un appareil dans un endroit humide ne peut être évitée, utilisez une alimentation protégée par un dispositif différentiel à courant résiduel (RCD).** *L'utilisation d'un disjoncteur différentiel réduit le risque de choc électrique.*

III. Sécurité personnelle

1. **Restez alerte, concentrez-vous sur votre tâche et faites preuve de bon sens lorsque vous utilisez un appareil. N'utilisez jamais un appareil si vous êtes fatigué(e) ou sous l'emprise de l'alcool, de drogues ou de médicaments.** *Un seul moment d'inattention pendant l'utilisation peut entraîner de graves blessures.*
2. **Portez un équipement de protection individuelle. Portez toujours une protection oculaire.** *Les équipements de protection comme les masques antipoussière, les chaussures de sécurité à semelle antidérapante, les casques et les protections antibruit utilisés de manière pertinente réduisent les risques de blessures.*
3. **Évitez tout démarrage accidentel. Assurez-vous que l'interrupteur Marche/Arrêt est en position ARRÊT avant de connecter l'outil à une source d'alimentation et/ou à la batterie, de le prendre en main ou de le transporter.** *Des accidents peuvent se produire si vous transportez un appareil en gardant le doigt sur l'interrupteur Marche/Arrêt ou si vous le mettez sous tension sans avoir placé l'interrupteur en position d'arrêt.*
4. **Retirez toute clé de réglage ou autre avant de mettre l'appareil en marche.** *Une clé oubliée sur une pièce rotative de l'appareil pourrait vous blesser.*
5. **Ne vous penchez pas trop en avant lorsque vous travaillez. Tenez-vous toujours bien d'aplomb et maintenez votre équilibre.** *Vous garderez ainsi le contrôle de l'appareil si un événement inattendu se produit.*
6. **Portez des vêtements adéquats. Ne portez pas de vêtements amples ni de bijoux pendants. N'approchez pas les cheveux ni les vêtements des pièces en mouvement.** *Les vêtements amples, les bijoux pendants ou les cheveux longs peuvent se prendre dans les pièces mobiles.*
7. **Si des dispositifs sont fournis pour le raccordement d'équipements de dépoussiérage et de ramassage, assurez-vous qu'ils sont branchés et utilisés correctement.** *L'utilisation d'un dispositif de récupération des poussières peut réduire les risques associés aux poussières.*
8. **Même si vous avez l'habitude d'utiliser les outils, ne relâchez pas votre attention et n'ignorez pas les principes de sécurité des outils.** *Une imprudence peut causer des blessures graves en une fraction de seconde.*

IV. Utilisation et entretien de l'appareil

1. **Ne faites pas forcer la machine. Utilisez l'appareil qui convient pour la tâche à accomplir.** *Un appareil adapté donnera de*

meilleurs résultats et sera moins dangereux s'il est utilisé dans les limites prévues.

2. **Ne vous servez pas de l'appareil si l'interrupteur d'alimentation ne permet pas de le mettre en marche et de l'arrêter correctement.** *Un appareil qui ne peut pas être commandé par l'interrupteur d'alimentation est dangereux et doit être réparé.*
3. **Débranchez l'appareil de la source d'alimentation et/ou enlevez la batterie, si elle est amovible, avant d'effectuer des réglages, de changer d'accessoire ou de ranger l'appareil.** *Ces mesures de sécurité préventives réduisent le risque de démarrage accidentel de l'appareil.*
4. **Rangez les appareils non utilisés hors de la portée des enfants et ne confiez leur utilisation qu'à des personnes qui en connaissent le maniement et qui ont lu ces instructions.** *Les appareils sont dangereux s'ils sont mis entre les mains d'utilisateurs novices.*
5. **Faites l'entretien de l'appareil et des accessoires. Assurez-vous qu'aucune pièce n'est mal alignée, grippée, cassée ou présente tout autre défaut susceptible d'affecter le bon fonctionnement de l'appareil. S'il est endommagé, faites réparer l'appareil avant de l'utiliser.** *De nombreux accidents sont causés par des appareils en mauvais état.*
6. **Gardez les outils de coupe propres et bien affûtés.** *Des outils de coupe entretenus correctement et bien affûtés sont moins susceptibles de coincer et sont plus faciles à contrôler.*
7. **Utilisez l'appareil, les accessoires, les outils rapportés, etc. en conformité avec ces instructions, en tenant compte des conditions de travail et de la tâche à réaliser.** *L'utilisation de l'appareil pour des opérations autres que celles prévues peut engendrer une situation dangereuse.*
8. **Gardez les poignées et surfaces de préhension sèches, propres et exemptes d'huile et de graisse.** *Les poignées et les surfaces de préhension glissantes ne permettent pas de manipuler et de contrôler l'outil en toute sécurité dans des situations imprévues.*

V. Utilisation et entretien des outils à batterie

1. **Ne les rechargez qu'avec le chargeur spécifié par le fabricant.** *Un chargeur convenant à un type de batterie spécifique peut créer un risque d'incendie s'il est utilisé avec une autre batterie.*
2. **Utilisez les appareils uniquement avec les batteries spécifiquement prévues.** *L'utilisation d'autres batteries peut créer un risque de blessure et d'incendie.*

3. **Lorsque la batterie ne sert pas, rangez-la à distance d'objets métalliques tels que trombones, pièces de monnaie, clés, clous, vis ou autres petits objets métalliques qui pourraient relier les bornes entre elles.** *Un court-circuit aux bornes de la batterie peut causer des brûlures ou un incendie.*
4. **Une utilisation abusive peut causer la projection de liquide hors de la batterie ; évitez tout contact. En cas de contact accidentel, rincez à l'eau. En cas de contact du liquide avec les yeux, consultez en plus un médecin.** *Le liquide éjecté de la batterie peut causer des irritations ou des brûlures.*
5. **N'utilisez pas une batterie ou un outil qui est endommagé(e) ou modifié(e).** *Les batteries endommagées ou modifiées peuvent avoir un comportement imprévisible et causer un incendie, une explosion ou des blessures.*
6. **N'exposez pas la batterie ou l'outil au feu ou à une température excessive.** *L'exposition au feu ou à une température supérieure à 130 °C peut provoquer une explosion.*
7. **Respectez toutes les instructions de charge et ne chargez pas la batterie ou l'outil en dehors de la plage de température spécifiée dans les instructions.** *Une charge incorrecte ou à des températures en dehors de la plage spécifiée peut endommager la batterie et augmenter le risque d'incendie.*

VI. Entretien

1. **Confiez l'entretien de votre appareil à un réparateur qualifié utilisant exclusivement des pièces de rechange identiques.** *La sécurité de votre appareil sera ainsi maintenue.*
2. **Ne faites jamais l'entretien de batteries endommagées.** *L'entretien des batteries ne doit être effectué que par le fabricant ou des prestataires de services autorisés.*

VII. Consignes de sécurité de la débroussailleuse filaire

1. **N'utilisez pas l'appareil par mauvais temps, surtout s'il existe un risque d'orage.** *Cela réduit le risque d'être frappé par la foudre.*
2. **Inspectez soigneusement la zone d'utilisation de la machine pour vérifier si des animaux sont présents.** *En effet, la machine en marche pourrait blesser des animaux.*
3. **Inspectez soigneusement la zone de travail et enlevez tout objet susceptible d'être projeté par l'appareil (pierres, jouets, branches, os, etc.).** *Les objets projetés peuvent causer de graves blessures.*

4. **Avant d'utiliser la machine, vérifiez toujours que le coupe-fil et l'ensemble de coupe ne sont pas usés ou endommagés.** *Les pièces endommagées augmentent le risque de blessure.*
5. **Gardez les protections en place. Les protections doivent être en bon état et correctement installées.** *Une protection desserrée, endommagée ou qui ne fonctionne pas correctement peut entraîner des blessures.*
6. **Gardez toutes les prises d'air dégagées.** *Les prises d'air bouchées et les débris peuvent provoquer une surchauffe ou un incendie.*
7. **Portez une protection oculaire et auditive.***L'utilisation d'équipements de protection adaptés réduit les blessures.*
8. **Portez toujours des chaussures de sécurité à semelle antidérapante pour utiliser l'appareil. N'utilisez pas l'appareil pieds nus ou en sandales.** *Cela réduit le risque de blessures aux pieds en cas de contact avec le coupe-fil en mouvement.*
9. **Portez toujours une tenue qui couvre les jambes, comme un pantalon, lorsque vous utilisez l'appareil.** *Le contact avec le coupe-fil ou le fil en mouvement peut causer des blessures.*
10. **N'autorisez personne à s'approcher de l'appareil en marche.** *La projection de débris peut entraîner de graves blessures.*
11. **N'utilisez pas l'appareil en le tenant au-dessus de la taille.** *Cela permet d'éviter tout contact accidentel avec le coupe-fil et de mieux contrôler l'appareil dans des situations imprévues.*
12. **Procédez avec prudence lorsque vous utilisez l'appareil dans de l'herbe humide. Avancez à une allure normale, ne courez jamais.** *Ainsi, vous risquerez moins de glisser et de tomber, et donc de vous blesser.*
13. **N'utilisez pas l'appareil sur des pentes très escarpées.** *Vous risquerez moins de perdre le contrôle de l'appareil, de glisser et de tomber, et donc de vous blesser.*
14. **Lorsque vous travaillez sur des pentes, veillez toujours à ne pas perdre l'équilibre, travaillez toujours transversalement à la pente, jamais dans le sens de la pente, et faites preuve de la plus grande prudence quand vous changez de direction.** *Vous risquerez moins de perdre le contrôle de l'appareil, de glisser et de tomber, et donc de vous blesser.*
15. **Tenez tous les cordons et câbles d'alimentation à l'écart de la zone de coupe.** *Des cordons ou des câbles d'alimentation peuvent être cachés par des haies ou des buissons et risquent d'être accidentellement coupés par le fil ou le coupe-fil.*

16. **N'approchez aucune partie du corps du coupe-fil ou du fil de coupe. Débranchez l'appareil de la source d'alimentation avant de dégager les obstructions.** *Le coupe-fil ou le fil en mouvement peut causer de graves blessures.*
17. **Transportez l'appareil après l'avoir mis hors tension et en le tenant éloigné du corps.** *Le maniement correct de l'appareil réduira le risque de contact accidentel avec le coupe-fil ou le fil en mouvement.*
18. **Utilisez uniquement des têtes de coupe et des coupe-fils ou des fils spécifiés par le fabricant. Ne remplacez pas les coupe-fils ou les fils de la débroussailleuse par des fils métalliques ou des lames.** *L'utilisation de pièces de rechange incorrectes peut entraîner une perte de contrôle, le bris de pièces et des blessures.*
19. **Avant de dégager des obstructions ou de faire l'entretien de l'appareil, assurez-vous que l'interrupteur d'alimentation est à la position arrêt et que la batterie est retirée.** *La mise en marche inopinée de l'appareil pendant le dégagement d'une obstruction ou l'entretien peut entraîner des blessures graves.*



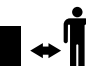
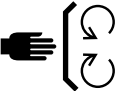
CONSERVEZ CES INSTRUCTIONS




Symboles des autocollants



Des autocollants de sécurité et des instructions bien visibles par l'opérateur sont placés près de tous les endroits potentiellement dangereux. Remplacez tout autocollant endommagé ou manquant.

Les tableaux suivants décrivent les symboles de sécurité et d'instructions qui figurent sur les autocollants.

Symboles des autocollants de la débroussailleuse à fil	Explication
	Risque de projection d'objets
	Attention
	Ne pas utiliser à l'humidité.
	N'utilisez pas de lames métalliques.
<p>15 m (50 ft)</p> 	Tenez tout le monde à une distance d'au moins 15 m.
	N'autorisez personne à s'approcher.
	Tenez tout le monde à bonne distance de l'appareil, dans toutes les directions.
	Gardez toutes les protections et tous les capots en place.
	Lisez le <i>Manuel de l'utilisateur</i> .
	Retirez la batterie avant d'effectuer un entretien.

	Ne vous approchez pas des pièces en mouvement.
	Utilisez un fil flexible.
	Portez une protection oculaire et des protège-oreilles.

Mise en service

Pièces détachées

Reportez-vous au tableau ci-dessous pour vérifier si toutes les pièces ont été expédiées.

Procédure	Description	Qté	Utilisation
1	Bouton d'accouplement	1	Dépliage du manche.
2	Poignée auxiliaire	1	Montage de la poignée auxiliaire.
3	Défecteur Vis	1 2	Montage du déflecteur.

1

Dépliage du manche

Pièces nécessaires pour cette opération:

1	Bouton d'accouplement
---	-----------------------

Procédure

1. Dépliez le manche (A de la [Figure 3](#)).
2. Réunissez les deux parties de l'arbre au niveau du coupleur à l'aide du bouton de fixation (B de la [Figure 3](#)).

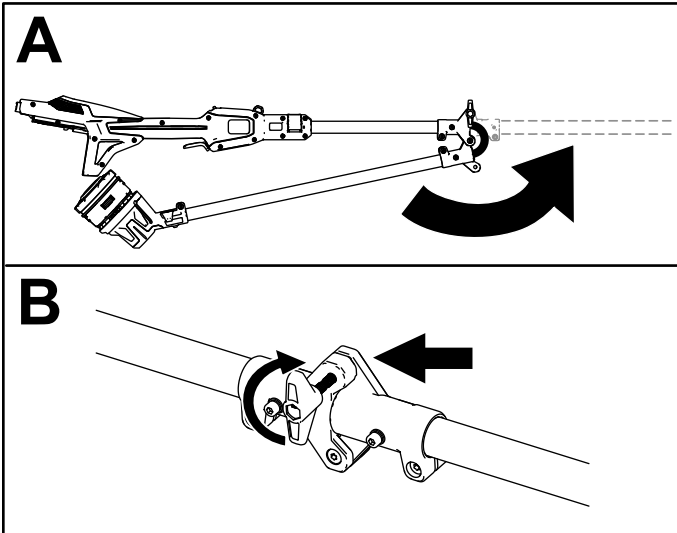


Figure 3

g507675

2

Montage de la poignée auxiliaire

Pièces nécessaires pour cette opération:

1	Poignée auxiliaire
---	--------------------

Procédure

1. Séparez la poignée auxiliaire de son support en desserrant le bouton de verrouillage et en retirant le boulon (A de la [Figure 4](#)).

Important: Il se peut que le boulon soit coincé dans le plastique de la poignée; tapotez le bas du boulon jusqu'à ce qu'il se dégage de la poignée.

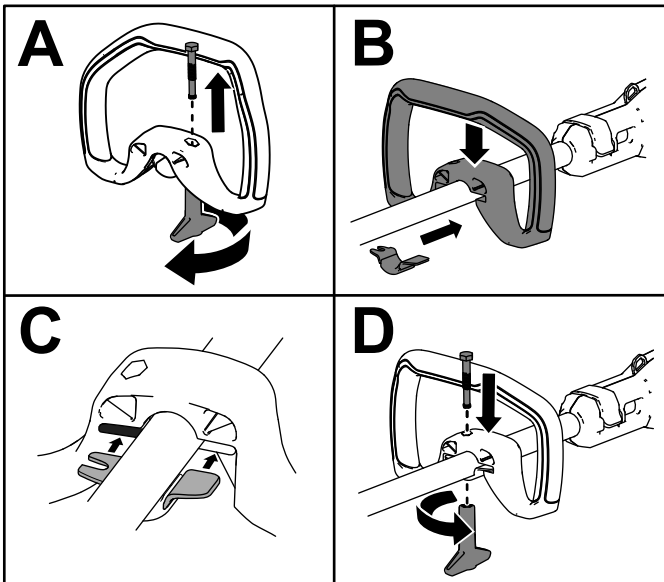


Figure 4

g507673

2. Alignez le support sur la poignée auxiliaire (B de la [Figure 4](#)).
3. Insérez le support dans la fente de la poignée auxiliaire (B de la [Figure 4](#)).

4. Fixez le support inférieur à la poignée auxiliaire avec le bouton de verrouillage et le boulon retiré précédemment (D de la [Figure 4](#)).

3

Montage du déflecteur

Pièces nécessaires pour cette opération:

1	Défecteur
2	Vis

Procédure

Fixez le déflecteur sur la base de la débroussailleuse à l'aide des 2 vis.

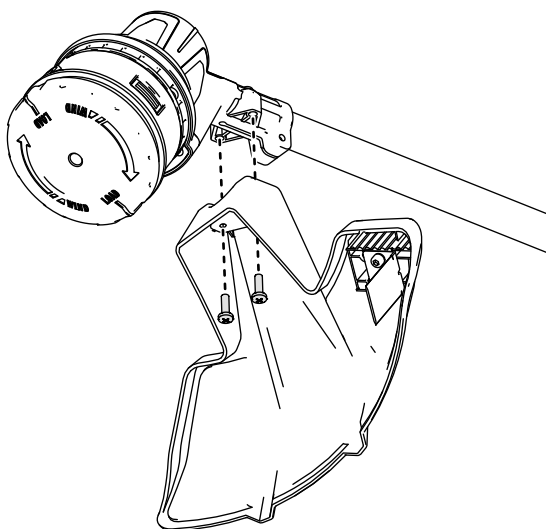


Figure 5

g507687

Vue d'ensemble du produit

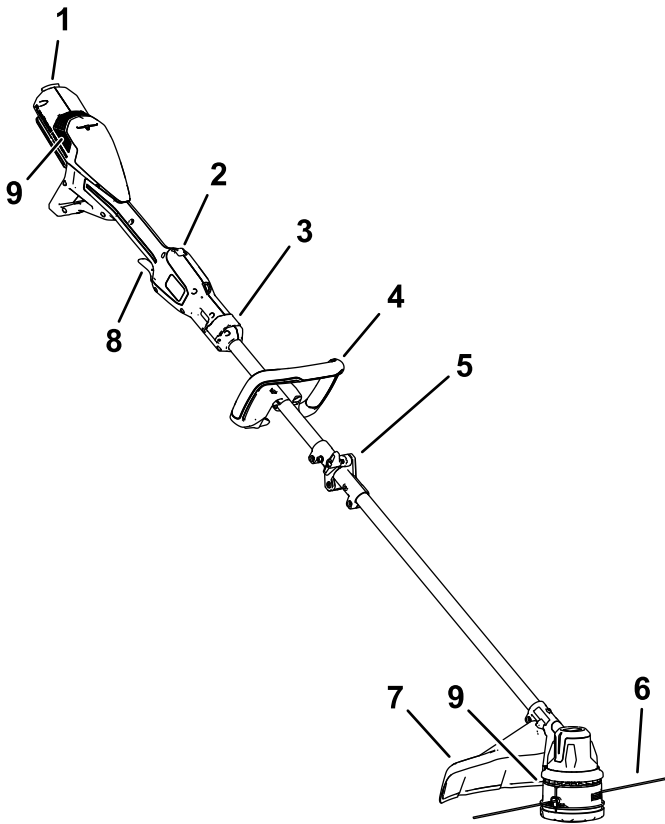


Figure 6

g507020

- | | |
|------------------------------------|-----------------------|
| 1. Verrou de batterie | 6. Fil de coupe |
| 2. Commutateur de blocage | 7. Déflecteur |
| 3. Blocage de l'arbre télescopique | 8. Gâchette de marche |
| 4. Poignée auxiliaire | 9. Prises d'air |
| 5. Coupleur central | |

Caractéristiques techniques

Modèle	51890T
Tension nominale	60 V c.c. maximum, 54 V c.c. utilisation nominale
Type de chargeur	Chargeurs de batteries lithium-ion Flex-Force de 60 V
Type de batterie	Batteries lithium-ion Flex-Force 60 V*

Si vous utilisez cette machine avec une batterie de 8,0 Ah ou plus, vous devez installer la sangle à fixation rapide, modèle 139-5334 (non incluse).

Plages de températures adéquates

Charger/ranger la batterie entre	5 °C et 40 °C*
Utiliser la batterie entre	-30 °C et 49 °C
Utiliser la débroussailleuse entre	0 °C et 49 °C
Ranger la débroussailleuse entre	0 °C et 49 °C*

*Le temps de charge sera plus long en dehors de cette plage de température.

Rangez l'outil, la batterie et le chargeur dans un lieu fermé, propre et sec.

Outils et accessoires

Une sélection d'outils et d'accessoires agréés par Toro est disponible pour augmenter et améliorer les capacités de la machine. Pour obtenir la liste de tous les accessoires et outils agréés, contactez votre concessionnaire-réparateur ou votre distributeur Toro agréé, ou rendez-vous sur www.Toro.com.

Pour garantir un rendement optimal et conserver la certification de sécurité de la machine, utilisez uniquement des pièces de rechange et accessoires d'origine Toro. Les pièces de rechange et accessoires d'autres constructeurs peuvent être dangereux.

Utilisation

Démarrage de la débroussailleuse

1. Vérifiez que les événements de la débroussailleuse sont exempts de poussière et de débris.
2. Alignez le creux de la batterie sur la languette de la tête motrice (Figure 7).
3. Poussez la batterie dans la tête motrice jusqu'à ce qu'elle s'enclenche dans le verrou (Figure 7).

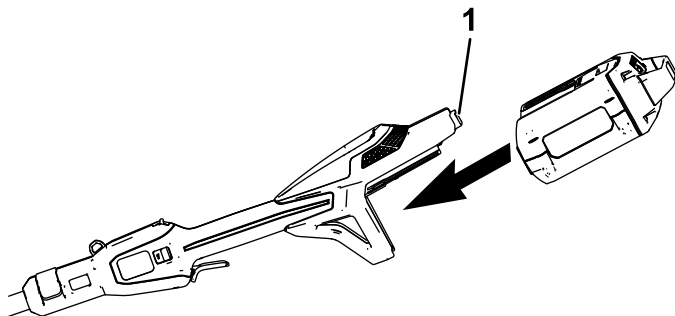


Figure 7

g507688

1. Verrou de batterie

-
4. Pour mettre la débroussailleuse en marche, tirez le commutateur de blocage en arrière, puis serrez la gâchette de vitesse variable (Figure 8).

Remarque: Faites coulisser la commande de plage de vitesse pour modifier la vitesse de la débroussailleuse.

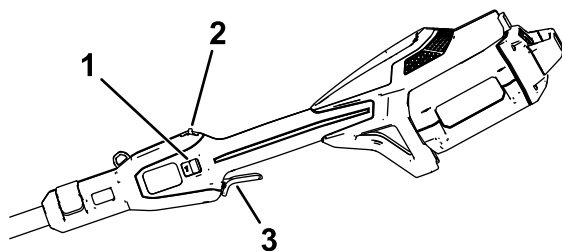


Figure 8

g507689

1. Commande de plage de vitesse
2. Commutateur de blocage
3. Gâchette de vitesse variable

Arrêt de la débroussailleuse

Pour arrêter la débroussailleuse, relâchez la gâchette et le commutateur de blocage.

Enlevez la batterie chaque fois que vous cessez d'utiliser la débroussailleuse ou que vous la transportez vers ou de la zone de travail.

Retrait de la batterie de la débroussailleuse

Appuyez sur le verrou de la batterie pour la débloquer et la tirer hors de l'appareil ([Figure 9](#)).

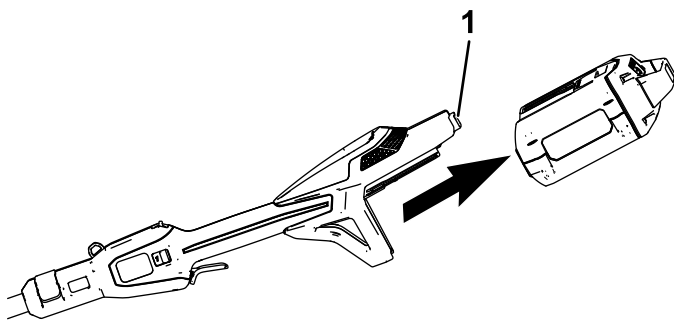


Figure 9

g507691

1. Verrou de batterie
-

Réglage de la position de la poignée auxiliaire

1. Desserrez le bouton de verrouillage au bas de la poignée auxiliaire.
2. Ajustez la position de la poignée auxiliaire sur le manche jusqu'à ce que la débroussailleuse puisse être maintenue dans une position neutre et confortable pendant l'utilisation.
3. Serrez le bouton de verrouillage pour fixer la poignée en place.

Réglage de longueur de l'arbre

1. Ouvrez le verrou de blocage à l'avant de la poignée
2. Allongez ou raccourcissez l'arbre jusqu'à ce que la débroussailleuse puisse être maintenue dans une position neutre et confortable pendant l'utilisation.
3. Refermez le verrou de blocage pour fixer l'arbre télescopique en position.

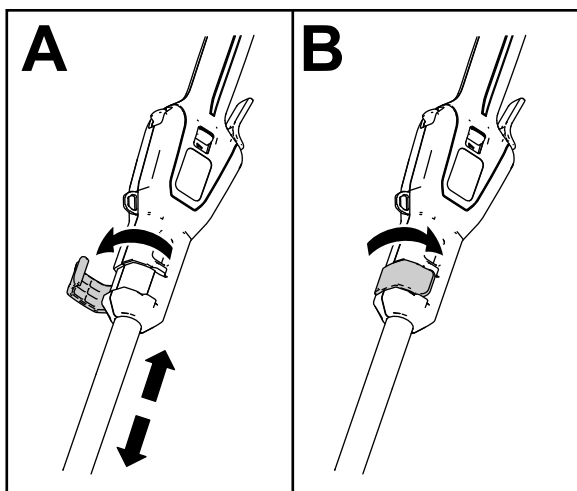


Figure 10

g507705

Avancement du fil (frappe au sol)

1. Faites fonctionner l'outil à plein régime.
2. Tapez la tête d'avancement sur le sol pour faire avancer le fil. Le fil avance chaque fois que vous tapez la tête sur le sol.

Important: Ne maintenez pas la tête d'avancement en appui sur le sol quand la débroussailleuse est en marche.

Remarque: La lame de coupe du fil, située sous le déflecteur, coupe le fil à la longueur voulue.

Remarque: Si le fil est usé au point d'être trop court, il se peut que vous ne puissiez pas le faire avancer par choc sur le sol. Dans ce cas, relâchez à la fois la gâchette et le commutateur de blocage, et consultez la section [Avance manuelle du fil \(page 22\)](#).

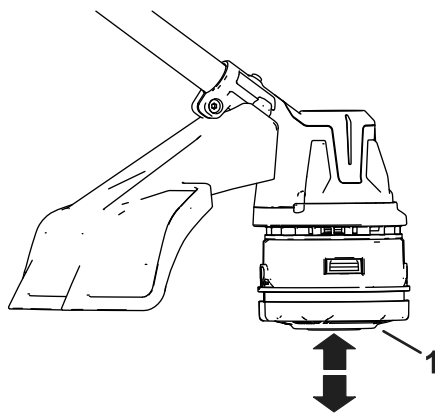


Figure 11

g507693

1. Tête d'avancement

Avance manuelle du fil

Retirez la batterie de la débroussailleuse, puis appuyez sur la tête d'avancement à la base du chapeau de fixation de la bobine tout en tirant le fil à la main pour le faire sortir.

Utilisation de la sangle

Important: Si vous utilisez la débroussailleuse filaire avec une batterie de 8 Ah ou plus, installez une sangle (non incluse).

N'utilisez pas la sangle si vous utilisez le bloc dorsal et son attache comme source d'alimentation de la débroussailleuse ; dans ce cas, utilisez seulement le harnais du bloc dorsal.

Accrochez le clip de la sangle à l'anneau de fixation en haut de la poignée (Figure 12).

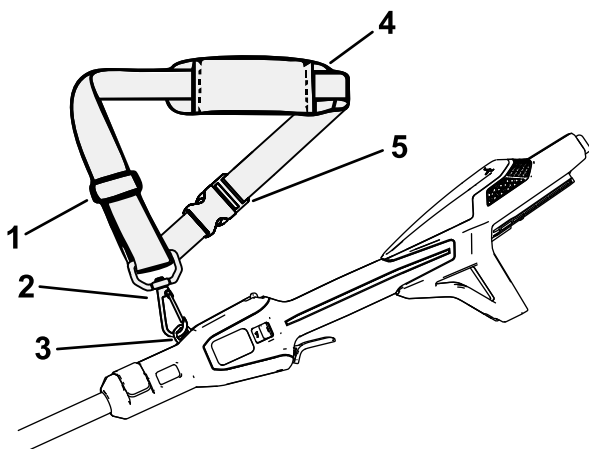


Figure 12

g507529

- | | |
|------------------------------------|-----------------------------|
| 1. Dispositif de réglage de sangle | 4. Coussin d'épaule |
| 2. Clip pivotant | 5. Boucle à fixation rapide |
| 3. Anneau de fixation | |

La longueur de la sangle est réglable ; faites coulisser le dispositif de réglage vers le haut pour raccourcir la sangle ou vers le bas pour l'allonger (Figure 12).

Si jamais il s'avère nécessaire de retirer rapidement la sangle, détachez la boucle de fixation rapide comme suit :

1. Appuyez de chaque côté de la boucle (A de Figure 13).

2. La boucle se détache toute seule (B de [Figure 13](#)).

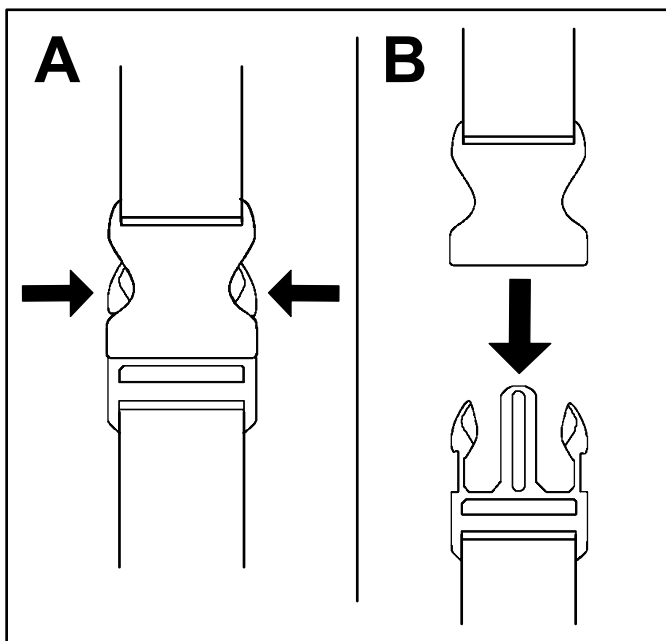


Figure 13

g340477

Conseils d'utilisation

- Gardez la débroussailleuse inclinée vers la zone à couper ; ceci est la meilleure zone de coupe.
- Pour couper, déplacez la débroussailleuse de droite à gauche. Cela évite la projection de débris dans votre direction.
- Utilisez l'extrémité du fil pour couper ; ne forcez pas la tête de coupe dans l'herbe non coupée.
- Les câbles et clôtures peuvent accélérer l'usure du fil de coupe, voire même le casser. Les murs en pierre et en briques, les trottoirs et le bois peuvent également causer l'usure rapide du fil.
- Évitez de vous approcher des arbres et des buissons. Le fil de coupe peut facilement endommager l'écorce des arbres, les moulures en bois, les parements et les piquets.

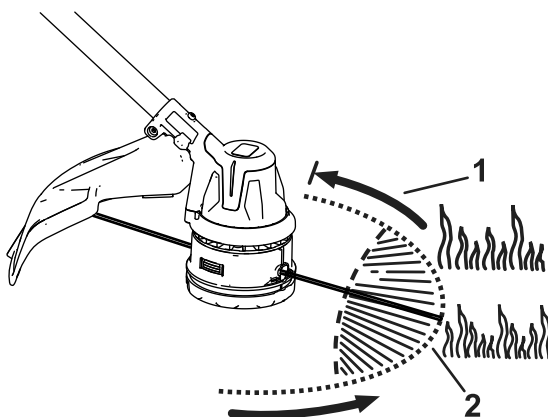


Figure 14

1. Sens de rotation

2. Trajectoire du fil de coupe

g507692

Entretien

Après chaque utilisation de la débroussailleuse, procédez comme suit :

1. Retirez la batterie de la débroussailleuse.
2. Essuyez la débroussailleuse avec un chiffon humide. Ne lavez pas la débroussailleuse au jet d'eau et ne la trempez pas dans l'eau.

▲ PRUDENCE

La lame de coupe du fil sur le déflecteur est tranchante et peut vous couper.

Ne nettoyez pas le déflecteur et la lame avec les mains.

3. Essuyez ou raclez la tête de coupe si des débris se sont accumulés dessus.
4. Contrôlez et resserrez toutes les fixations. Réparez ou remplacez les pièces éventuellement endommagées ou manquantes.
5. Enlevez à la brosse les débris accumulés sur la tête motrice et l'échappement du carter du moteur pour empêcher le moteur de surchauffer.

Remplacement du fil de coupe

Utilisez uniquement un fil de coupe monofilament de 2 mm de diamètre ou un fil de coupe monofilament torsadé de 2,4 mm de diamètre de la marque Toro.

1. Retirez la batterie de la débroussailleuse.
2. Enlevez le fil qui reste encore dans la bobine en appuyant plusieurs fois sur la tête d'avancement tout en faisant sortir la même longueur de fil de chaque côté de la tête.
3. Coupez un morceau de fil ne dépassant pas de 7,3 m de longueur.

Important: N'enroulez pas une quantité excessive de fil sur la bobine.

Important: N'utilisez pas de fil de diamètre ou de type différent au risque d'endommager la débroussailleuse.

4. Poussez sur la tête d'avancement et tournez-la le sens des flèches (sens horaire) qui figurent dessous jusqu'à ce que les repères qui figurent sur le côté de la tête d'avancement soient en face des repères situés sous les œillets (Figure 15).

5. Insérez une extrémité du fil tout droit dans l'œillet et poussez le fil jusqu'à ce qu'il ressorte par l'œillet situé de l'autre côté.

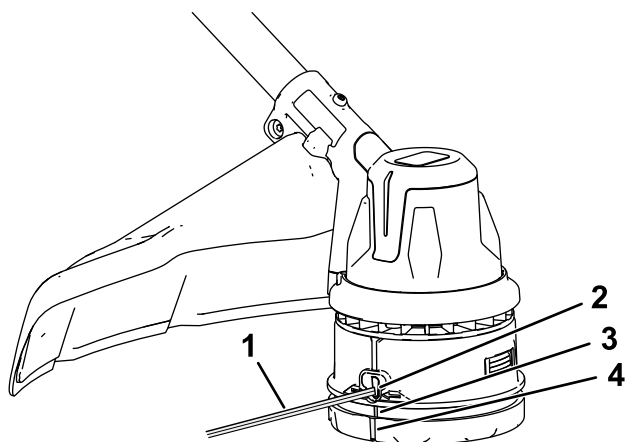


Figure 15

g507694

1. Fil de coupe
2. Œillet
3. Repère d'alignement d'œillet
4. Repère d'alignement de la tête d'avancement

Important: Ne démontez pas la tête de coupe.

6. Tirez le fil à travers les œillets jusqu'à obtention de la même longueur de fil de chaque côté de la tête de coupe.
7. Tenez la débroussailleuse d'une main. De l'autre main, tournez le bas de la tête de coupe dans le sens des flèches (sens horaire) qui figurent sous la tête d'avancement pour enrouler le fil ; laissez dépasser environ 152 mm de fil des œillets de chaque côté.

Remplacement de la tête de coupe

1. Retirez la batterie de la débroussailleuse.
2. Insérez un outil de petit diamètre (comme un tournevis) dans le boîtier du moteur et dans la rainure du ventilateur pour immobiliser la tête de coupe et l'empêcher de tourner toute seule (Figure 16).

Remarque: Une fois l'outil inséré dans le trou, tournez la tête de coupe jusqu'à ce que vous sentiez la tige tomber dans la rainure.

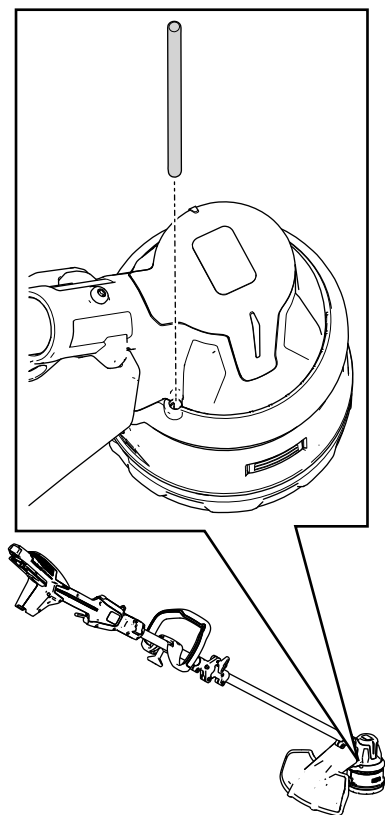


Figure 16

g512077

3. Une fois la tête de coupe fixée en place par la tige, tournez-la dans le sens antihoraire pour la retirer du montant fileté du boîtier (Figure 17).

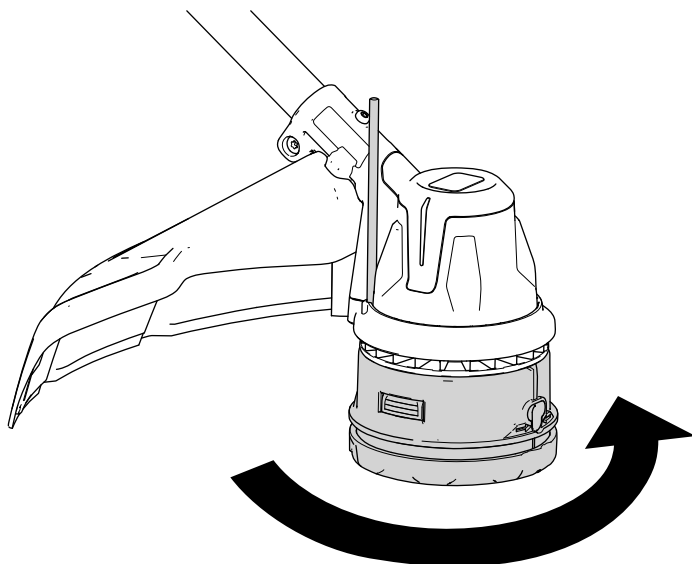


Figure 17

g516022

-
4. Pour monter la nouvelle tête de coupe, tournez-la dans le sens horaire sur le montant du boîtier tout en fixant le ventilateur avec un outil.

Remisage

Important: Remisez la machine, la batterie et le chargeur uniquement à des températures comprises dans la plage adéquate ; voir [Caractéristiques techniques \(page 18\)](#).

Important: Si vous remisez la machine pendant un an ou plus, retirez la batterie de la machine et chargez-la jusqu'à ce que 1 ou 2 de ses LED deviennent vertes. Ne remisez pas une batterie complètement chargée ou complètement déchargée. Avant de remettre la machine en service, chargez la batterie jusqu'à ce que le voyant gauche du chargeur devienne vert, ou que les 4 diodes de la batterie deviennent vertes.



- Débranchez la machine de l'alimentation (autrement dit, retirez la batterie) et recherchez tout dommage éventuel après utilisation.
- Débarrassez la machine de tout corps étranger.
- Ne remisez pas la machine ou le chargeur en laissant la batterie dessus.
- Lorsqu'ils ne servent pas, rangez la machine, la batterie et le chargeur de batterie hors de la portée des enfants.
- Tenez la machine, la batterie et le chargeur à l'écart des agents corrosifs, tels que produits chimiques de jardinage et sels de déglacage.
- Pour réduire les risques de blessures graves, ne rangez pas la batterie à l'extérieur ou dans un véhicule.
- Rangez la machine, la batterie et le chargeur dans un local fermé, propre et sec.
- Lorsque vous repliez l'appareil pour le ranger, ne l'accrochez pas par le faisceau de câblage.

Préparation de la batterie pour le recyclage

Important: Après avoir retiré la batterie, recouvrez les bornes de ruban adhésif épais. N'essayez pas de détruire ou de démonter la batterie ni de déposer aucun de ses composants.



Contactez votre municipalité ou votre concessionnaire-réparateur ou distributeur agréé pour plus d'informations sur le recyclage responsable de la batterie.

	<p>Les batteries lithium-ion qui portent le label Call2Recycle peuvent être recyclées auprès de n'importe quel revendeur ou centre de recyclage de batteries participant au programme Call2Recycle (États-Unis et Canada uniquement). Pour trouver un revendeur ou le centre de recyclage participant le plus proche, appelez le +1-800-822-8837 ou rendez-vous sur www.call2recycle.org.</p>
	<p>Les batteries lithium-ion qui portent le label HEB (batterie haute énergie) représenté ici, et les batteries Flex-Force de 60 V, 6 Ah ou plus, peuvent être recyclées auprès de n'importe quel concessionnaire ou revendeur participant au programme Call2Recycle HEB. Pour trouver le concessionnaire ou le revendeur le plus proche, rendez-vous sur www.hebattery.org.</p>

Si vous ne trouvez pas de revendeur ou de centre participant à proximité, ou pour tout renseignement sur le programme de recyclage auquel votre batterie peut prétendre, visitez le site du service client mentionné dans le manuel de l'utilisateur de votre outil/matériel pour plus d'informations sur le recyclage responsable de la batterie.

Hors des États-Unis et du Canada, veuillez contacter votre concessionnaire-réparateur ou votre distributeur agréé pour plus d'informations sur le recyclage responsable de la batterie.

Dépistage des défauts

Effectuez uniquement les opérations décrites dans ces instructions. Tout autre contrôle, entretien ou réparation doit être réalisé par un centre d'entretien agréé ou par un spécialiste qualifié si vous n'arrivez pas à résoudre le problème vous-même.

Retirez toujours la batterie avant de dépanner, d'inspecter, de faire l'entretien ou de nettoyer l'outil.

Problème	Cause possible	Mesure corrective
L'outil ne fonctionne pas ou fonctionne par intermittence.	<ol style="list-style-type: none">1. La batterie n'est pas complètement installée dans l'outil.2. La batterie n'est pas chargée.3. La température de la batterie est supérieure ou inférieure à la plage de température appropriée.4. Les fils de la batterie sont couverts d'humidité.5. La batterie est endommagée.6. L'outil présente un problème de nature électrique.	<ol style="list-style-type: none">1. Retirez et remettez la batterie en place dans l'outil, en vérifiant qu'elle est complètement insérée et enclenchée.2. Retirez la batterie de l'outil et chargez-la.3. Placez la batterie dans un endroit sec, où la température est comprise entre 5 °C et 40 °C.4. Laissez sécher ou essuyez la batterie.5. Remplacez la batterie.6. Contactez un concessionnaire-réparateur agréé.
L'outil n'atteint pas sa pleine puissance ou le boîtier du moteur chauffe excessivement.	<ol style="list-style-type: none">1. La capacité de charge de la batterie est trop faible.2. Les événements sont obstrués.	<ol style="list-style-type: none">1. Retirez la batterie de l'outil et chargez-la complètement.2. Nettoyez les événements.

Problème	Cause possible	Mesure corrective
L'outil émet des vibrations ou des bruits excessifs.	<ol style="list-style-type: none"> 1. Des débris sont agglomérés sous le déflecteur d'herbe ou dans le boîtier de la tête d'avancement de la débroussailleuse. 2. La bobine n'est pas correctement enroulée. 	<ol style="list-style-type: none"> 1. Nettoyez les débris qui se trouvent sous le déflecteur d'herbe ou dans le boîtier de la tête d'avancement. 2. Faites avancer le fil à l'aide de la tête d'avancement et/ou retirez le fil de la bobine et enroulez de nouveau la bobine.
La tête d'avancement ne fait pas avancer le fil.	<ol style="list-style-type: none"> 1. Il n'y a plus de fil dans la débroussailleuse. 2. Le fil est emmêlé dans le boîtier de la tête d'avancement. 3. Des débris sont agglomérés sous le déflecteur d'herbe ou dans le boîtier de la tête d'avancement de la débroussailleuse. 	<ol style="list-style-type: none"> 1. Ajoutez du fil dans la tête d'avancement. 2. Enlevez le couvercle de la tête d'avancement et démêlez le fil. 3. Nettoyez les débris qui se trouvent sous le déflecteur d'herbe ou dans le boîtier de la tête d'avancement.
La batterie se décharge rapidement.	<ol style="list-style-type: none"> 1. La température de la batterie est supérieure ou inférieure à la plage de température appropriée. 2. La débroussailleuse est en surcharge. 	<ol style="list-style-type: none"> 1. Placez la batterie dans un endroit sec où la température est comprise entre 5 et 40 °C. 2. Débroussailliez plus lentement.



Count on it.

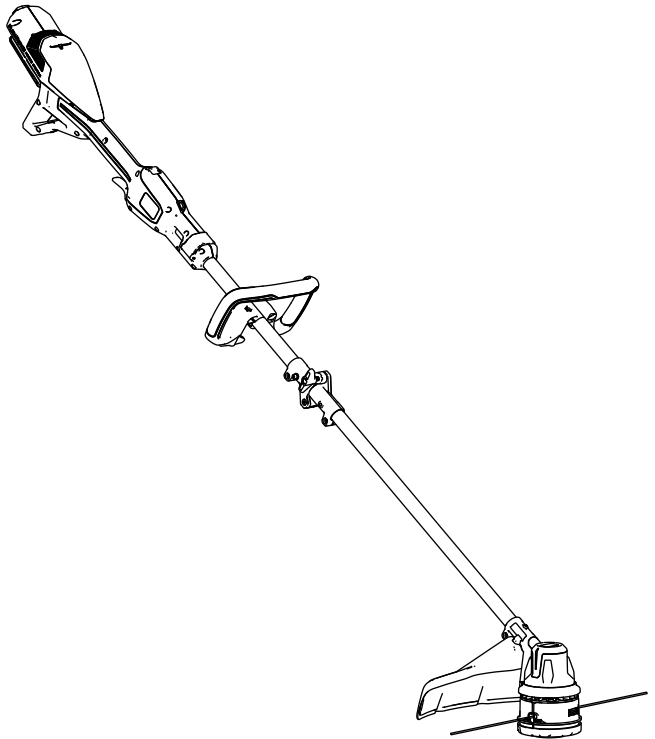


Count on it.

Manuale dell'operatore

Decespugliatore 35 cm Flex-Force Power System® 60 V

N° del modello 51890T—N° di serie 32600000 e superiori



Registrate il vostro prodotto
presso www.Toro.com.
Traduzione dell'originale (IT)



* 3 4 8 0 - 1 9 2 *



**Per assistenza,
consultate la pagina
www.Toro.com/support per
istruzioni o contattate il
vostro Centro assistenza
autorizzato prima di
restituire questo prodotto.**

Questo prodotto è conforme a tutte le direttive europee pertinenti. Per informazioni dettagliate vedere la Dichiarazione di Conformità (DICO) specifica del prodotto, fornita a parte.

Introduzione

Questo decespugliatore è inteso per l'utilizzo da parte di clienti residenziali per il taglio dell'erba in base alle esigenze all'aperto. È pensato per l'utilizzo dei pacchi batteria agli ioni di litio da 60 V Flex-Force™. Questi pacchi batteria sono progettati per poter essere ricaricati solo da caricabatterie per batterie agli ioni di litio da 60 V Flex-Force. L'utilizzo di questo prodotto per scopi non conformi alle funzioni per cui è stato concepito può essere pericoloso per voi e gli astanti.

Importante: In caso di utilizzo di questa macchina con un pacco batteria da 8,0 Ah o superiore, è necessario montare l'imbracatura a sgancio rapido (modello 139-5334, non incluso) per un adeguato supporto e bilanciamento.

Non utilizzate altre imbracature o più imbracature durante l'uso della macchina.

Il modello 51890T non include una batteria o un caricabatterie.

Leggete attentamente queste informazioni per imparare come utilizzare e mantenere il vostro prodotto in modo idoneo ed evitare lesioni personali e danni al prodotto. Siete responsabili dell'utilizzo consono e sicuro del prodotto.

© 2026—The Toro®
Company
8111 Lyndale Avenue
South
Bloomington, MN
55420

Registrate il vostro
prodotto presso
www.Toro.com.

CE UK
ERA

Traduzione dell'originale
(IT)

Stampato in Cina
Tutti i diritti sono
riservati



* 3 4 8 0 - 1 9 2 *

Visitate il sito www.Toro.com per ottenere materiali di formazione sulla sicurezza e il funzionamento dei prodotti, informazioni sugli accessori, assistenza nella localizzazione di un rivenditore o per registrare il vostro prodotto.

Per assistenza, ricambi originali del produttore o ulteriori informazioni, rivolgetevi a un Distributore autorizzato o ad un Centro Assistenza del produttore, ed abbiate sempre a portata di mano il numero del modello ed il numero di serie del prodotto. **Figura 1** identifica la posizione dei numeri di modello e di serie sul prodotto. Scrivete i numeri nello spazio fornito.

Importante: Con il vostro dispositivo mobile, potete scansionare il codice QR sull'adesivo che riporta il numero di serie (se presente) per accedere alla garanzia, ai ricambi e ad altre informazioni sui prodotti.

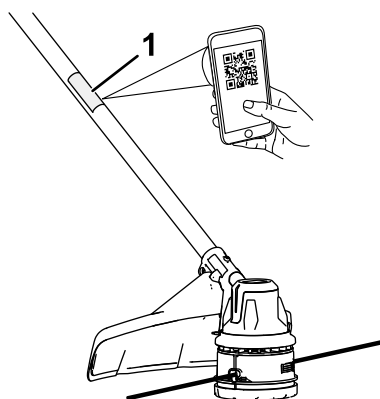


Figura 1

g507019

1. Posizione del numero di modello, del numero di serie e del codice QR

N° del modello _____
N° di serie _____

Simbolo di avvertenza

Il simbolo di avvertenza (Figura 2) mostrato in questo manuale e sulla macchina identifica messaggi di sicurezza importanti che è necessario seguire per prevenire incidenti.



Figura 2

Simbolo di avvertenza

g000502

Il simbolo di avvertenza compare sulle informazioni che vi avvisano di azioni o situazioni non sicure, ed è seguito dalla parola **PERICOLO**, **AVVERTENZA**, o **ATTENZIONE**.

PERICOLO indica una situazione pericolosa imminente che, se non evitata, **provocherà** lesioni gravi o fatali.

AVVERTENZA indica una situazione potenzialmente pericolosa che, se non evitata, **potrebbe provocare** lesioni gravi o fatali.

ATTENZIONE indica una situazione potenzialmente pericolosa che, se non evitata, **potrebbe provocare** una lesione moderata o di minore entità.

Questo manuale utilizza altre due parole per mettere in evidenza le informazioni. **Importante** richiama l'attenzione su informazioni meccaniche speciali, e **Nota** pone in risalto informazioni generali che meritano un'attenzione speciale.

Sicurezza

▲ AVVERTENZA

Leggete tutte le avvertenze di sicurezza, le istruzioni, le illustrazioni e le specifiche fornite con questa macchine.

Il mancato rispetto di tutte le istruzioni elencate di seguito può comportare scosse elettriche, incendi e/o gravi lesioni.

Conservate tutte le avvertenze e le istruzioni per riferimento futuro.

Il termine "macchina" in tutte le avvertenze fa riferimento alla vostra macchina con alimentazione di rete (con cavo) o macchina a batteria (senza fili).

I. Sicurezza dell'area di lavoro

1. **Mantenete l'area di lavoro pulita e ben illuminata.** *Le aree disordinate o buie favoriscono gli incidenti.*
2. **Non utilizzate macchine in atmosfere esplosive, ad esempio in presenza di liquidi, gas o polveri infiammabili.** *Le macchine creano scintille che possono accendere la polvere o i vapori.*
3. **Tenete i bambini e gli astanti a distanza mentre utilizzate una macchina.** *Le distrazioni possono provocare una perdita del controllo.*

II. Sicurezza elettrica

1. **Le spine delle macchine devono corrispondere alla presa. Non modificate mai la spina in nessun modo. Non utilizzate adattatori della spina con macchine dotate di messa a terra.** *Le spine non modificate con prese corrispondenti ridurranno il rischio di scosse elettriche.*
2. **Evitate il contatto del corpo con superfici dotate di messa a terra come tubi, radiatori, marce e refrigeratori.** *Il rischio di scossa elettrica è maggiore se il vostro corpo è a contatto con il suolo.*
3. **Non esponete le macchine a pioggia o condizioni di umidità.** *L'acqua che penetra in una macchina aumenterà il rischio di scosse elettriche.*
4. **Non utilizzate il cavo in modo improprio. Non utilizzate mai il cavo per trasportare, tirare o scollegare la macchina. Tenete il cavo lontano da calore, olio, bordi affilati o parti mobili.** *Cavi danneggiati o attorcigliati aumenteranno il rischio di scosse elettriche.*
5. **Durante l'utilizzo di una macchina all'esterno, utilizzate una prolunga adatta all'uso all'aperto.** *L'utilizzo di un cavo adatto all'uso all'aperto riduce il rischio di scosse elettriche.*
6. **Se l'utilizzo di una macchina in un'area umida è inevitabile, utilizzate un'alimentazione protetta da un dispositivo di corrente residua (RCD).** *L'uso di un RCD riduce il rischio di scosse elettriche.*

III. Sicurezza personale

1. **Rimanete vigili, fate attenzione alle operazioni che state eseguendo e usate il buon senso durante le operazioni con una macchina. Non utilizzate una macchina se siete stanchi o sotto l'influenza di farmaci, alcol o medicinali.** *Un momento di disattenzione durante l'utilizzo di una macchina può comportare gravi lesioni personali.*

2. **Utilizzate attrezzatura protettiva personale. Indossate sempre gli occhiali di sicurezza.** *Dispositivi di protezione come maschera antipolvere, scarpe di sicurezza antiscivolo, casco o protezioni per l'udito utilizzati nelle condizioni opportune riducono le lesioni personali.*
3. **Evitate avviamenti non intenzionali. Assicuratevi che l'interruttore sia in posizione di SPEGNIMENTO prima di effettuare il collegamento a una presa di corrente e/o al pacco batteria e prima di afferrare o trasportare l'utensile.** *Il trasporto di macchine con le dita sull'interruttore o mettere sotto carica macchine con l'interruttore in posizione di accensione favorisce gli incidenti.*
4. **Rimuovete eventuali chiavi o attrezzi di regolazione prima di accendere la macchina.** *Un attrezzo o una chiave lasciata attaccata a una parte rotante della macchina può comportare lesioni personali.*
5. **Non sporgetevi. Mantenete sempre l'appoggio e l'equilibrio.** *Ciò consente un migliore controllo della macchina in situazioni impreviste.*
6. **Vestitevi in modo adeguato. Non indossate indumenti larghi o gioielli. Tenete capelli e indumenti a distanza dalle parti in movimento.** *Gli indumenti larghi, i gioielli o i capelli lunghi possono restare impigliati nelle parti in movimento.*
7. **Se i dispositivi sono dotati di collegamento a dispositivi di estrazione e raccolta della polvere, assicuratevi che siano collegati e utilizzati adeguatamente.** *L'utilizzo della raccolta della polvere può ridurre i pericoli associati alla polvere.*
8. **Non lasciate che la familiarità ottenuta dall'uso frequente degli utensili vi porti a un eccesso di sicurezza, facendovi ignorare i principi di sicurezza dell'utensile.** *Un'azione imprudente può causare gravi infortuni in una frazione di secondo.*

IV. Utilizzo e cura della macchina

1. **Non forzate la macchina. Utilizzate la macchina corretta per il vostro uso.** *La macchina corretta effettuerà il lavoro in modo migliore e più sicuro con la potenza per cui è stata progettata.*
2. **Non usate la macchina se l'interruttore non si accende e spegne.** *Qualsiasi macchina che non possa essere controllata con l'interruttore è pericolosa e deve essere riparata.*
3. **Scollegate la spina dall'alimentazione e/o rimuovete il pacco batteria, se possibile, dalla macchina prima di effettuare eventuali regolazioni, sostituire gli accessori o riporre le macchine.** *Tali misure preventive riducono il rischio di avviamento accidentale della macchina.*

4. **Riponete le macchine inutilizzate fuori dalla portata dei bambini e non consentite a persone che non hanno familiarità con la macchina o le istruzioni di metterla in funzione.** *Le macchine sono pericolose nelle mani di utilizzatori non addestrati.*
5. **Manutenzionate macchine e accessori. Controllate eventuali disallineamenti o grippaggio delle parti mobili, rottura dei componenti e altre condizioni che possono influire sul funzionamento della macchina. In caso di danni, fate riparare la macchina prima dell'uso.** *Molti incidenti sono causati da macchine con scarsa manutenzione.*
6. **Tenete gli utensili di taglio affilati e puliti.** *Gli utensili elettrici con manutenzione adeguata e bordi di taglio affilati hanno una minore probabilità di bloccarsi e sono più facili da controllare.*
7. **Utilizzate la macchina, gli accessori e le punte della macchina, ecc. in conformità con queste istruzioni, tenendo in considerazione le condizioni operative e l'attività da eseguire.** *L'uso della macchina per operazioni diverse da quelle per cui è destinata può provocare situazioni pericolose.*
8. **Tenete le impugnature e le superfici di contatto asciutte, pulite e prive di olio e grasso.** *Impugnature e superfici di contatto scivolose non consentono la manipolazione sicura e il controllo dell'utensile in situazioni impreviste.*

V. Utilizzo e cura dell'utensile a batteria

1. **Ricaricate solo con il caricabatterie specificato dal produttore.** *Un caricabatterie adatto a un tipo di pacco batteria può creare rischio di incendio se usato con un altro pacco batteria.*
2. **Utilizzate macchine solo con pacchi batteria appositamente progettati.** *L'utilizzo di altri pacchi batteria può creare un rischio di lesioni e incendio.*
3. **Quando il pacco batteria non è in uso, tenetelo lontano da altri oggetti in metallo, come graffe, monete, chiavi, chiodi, viti o altri piccoli oggetti metallici che possono creare un collegamento da un morsetto a un altro.** *Mandare in cortocircuito i morsetti della batteria tra loro può causare bruciacature o un incendio.*
4. **In condizioni di uso improprio, è possibile che del liquido fuoriesca dalla batteria; evitate il contatto. In caso di contatto accidentale, sciacquate con acqua. Se il liquido entra in contatto con gli occhi, consultate anche un medico.** *Il liquido fuoriuscito dalla batteria può causare irritazioni o ustioni.*
5. **Non utilizzate un pacco batteria o un utensile danneggiato o modificato.** *Batterie danneggiate o modificate possono determinare*

un comportamento imprevisto e portare a incendio, esplosione o rischio di infortuni.

- 6. Non esponete un pacco batteria o un utensile a fiamme o temperature eccessive.** *L'esposizione a fiamme o temperature superiori a 130 °C può causare esplosioni.*
- 7. Seguite tutte le istruzioni di ricarica e non caricate il pacco batteria o l'utensile al di fuori del range di temperatura specificato nelle istruzioni.** *Una ricarica non corretta o a temperature al di fuori del range specificato può danneggiare la batteria e aumentare il rischio di incendio.*

VI. Manutenzione

- 1. Fate effettuare la manutenzione della vostra macchina a un addetto alle riparazioni qualificato, utilizzando solo parti sostitutive identiche.** *Ciò garantirà che la sicurezza della macchina venga mantenuta.*
- 2. Non eseguire mai la manutenzione di pacchi batteria danneggiati.** *La manutenzione dei pacchi batteria deve essere effettuata solo dal produttore o dai Centri assistenza autorizzati.*

VII. Sicurezza per l'utilizzo del decespugliatore

- 1. Non utilizzate la macchina in condizioni di meteo avverso, soprattutto quando c'è rischio di fulmini.** *Questo riduce il rischio di essere colpiti da un fulmine.*
- 2. Esaminate attentamente l'area in cui utilizzerete la macchina per individuare l'eventuale presenza di animali selvatici.** *Durante l'utilizzo, la macchina potrebbe causare delle lesioni agli animali selvatici presenti nell'area.*
- 3. Esaminate attentamente l'area in cui utilizzerete la macchina e rimuovete eventuali sassi, bastoni, fili, ossa e altri oggetti estranei.** *Degli oggetti scagliati possono causare lesioni personali.*
- 4. Prima di utilizzare la macchina, esaminatela sempre visivamente per verificare che il decespugliatore non sia danneggiato.** *La presenza di parti danneggiate aumenta il rischio di lesioni.*
- 5. Controllate che le protezioni siano ben salde in posizione. Le protezioni devono essere in buone condizioni e montate adeguatamente.** *Una protezione allentata, danneggiata o non in buone condizioni può causare lesioni.*
- 6. Mantenete tutte le prese d'aria di raffreddamento libere da detriti.** *Delle prese d'aria bloccate e la presenza di detriti possono causare surriscaldamento o rischio di incendio.*

7. **Indossate protezioni per gli occhi e per le orecchie.** *L'uso di dispositivi di protezione adeguati riduce il rischio di lesioni personali.*
8. **Mentre utilizzate la macchina, indossate sempre calzature antiscivolo e protettive. Non utilizzate la macchina a piedi scalzi o mentre indossate sandali aperti.** *Ciò riduce il rischio di lesioni ai piedi causate dal contatto di questi con la linea in movimento.*
9. **Indossate sempre indumenti come pantaloni che coprano le gambe dell'operatore quando utilizzate la macchina.** *Il contatto con il gruppo linea o la linea in movimento può causare lesioni.*
10. **Tenete gli astanti a distanza mentre utilizzate la macchina.** *Dei detriti scagliati possono provocare gravi lesioni personali.*
11. **Non utilizzate la macchina tenendola al di sopra della vita.** *Ciò consente di prevenire il contatto involontario con la linea e di avere un migliore controllo della macchina in situazioni impreviste.*
12. **Fate attenzione quando utilizzate la macchina su erba bagnata. Camminate, non correte.** *Ciò riduce il rischio di scivolamento e caduta, che potrebbero causare lesioni personali.*
13. **Non utilizzate la macchina lungo pendii eccessivamente scoscesi.** *Ciò riduce il rischio di perdita di controllo e il rischio di scivolamento e caduta che potrebbero causare lesioni personali.*
14. **Quando lavorate lungo delle pendenze, assicuratevi sempre di mantenere un appoggio adeguato, lavorate sempre in senso trasversale rispetto alla pendenza, mai in salita o discesa, e fate estrema attenzione quando cambiate direzione.** *Ciò riduce il rischio di perdita di controllo e il rischio di scivolamento e caduta che potrebbero causare lesioni personali.*
15. **Tenete tutti i cavi e fili di alimentazione lontano dall'area di taglio.** *I cavi o fili di alimentazione possono finire nascosti nelle siepi o nei cespugli ed essere accidentalmente tagliati o danneggiati dalla linea o dal gruppo linea.*
16. **Mantenete tutte le parti del corpo lontane dal gruppo linea o dalla linea di taglio in movimento. Non rimuovete del materiale dalla macchina fino a quando questa non è stata scollegata dall'alimentazione.** *Il gruppo linea o la linea in movimento possono causare gravi lesioni personali.*
17. **Trasportate la macchina quando questa è spenta e tenendola lontana dal vostro corpo.** *Maneggiare la macchina in modo adeguato ridurrà la possibilità di un contatto accidentale con il gruppo linea o con la linea di taglio in movimento.*

18. **Utilizzate teste di taglio e gruppi linea o linee di ricambio specificate dal produttore. Non sostituite i gruppi linea o le linee con lame o fili in metallo.** *Dei ricambi non adeguati possono causare perdita di controllo, rottura e lesioni.*
19. **Durante la rimozione del materiale bloccato o la manutenzione della macchina, accertatevi che l'interruttore sia spento e che il pacco batteria sia rimosso.** *Un avvio imprevisto della macchina durante la rimozione di materiale incastrato o la manutenzione può comportare gravi infortuni.*

CONSERVATE QUESTE ISTRUZIONI




Simboli degli adesivi



Adesivi e istruzioni di sicurezza sono chiaramente visibili per l'operatore e sono situati vicino a qualsiasi area di potenziale pericolo. Sostituite eventuali adesivi se danneggiati o mancanti.

Le seguenti tabelle descrivono i simboli per la sicurezza e informativi raffigurati sugli adesivi.

Simbolo dell'adesivo del decespugliatore	Spiegazione
	Pericolo di lancio di oggetti
	Avvertenza
	Non utilizzate in condizioni di bagnato.
	Non utilizzate lame in metallo.
	Tenete gli astanti ad almeno 15 m di distanza.
	Tenete lontani i presenti.
	Tenete gli astanti a distanza dalla macchina in tutte le direzioni.
	Tenete tutte le protezioni al proprio posto.
	Leggete il <i>Manuale dell'operatore</i> .
	Rimuovete il pacco batteria prima di effettuare la manutenzione.

	State lontani dalle parti in movimento.
	Utilizzate un filo flessibile.
	Indossate protezioni per gli occhi e per le orecchie.

Preparazione

Parti sciolte

Verificate che sia stata spedita tutta la componentistica, facendo riferimento alla seguente tabella.

Procedura	Descrizione	Qté	Uso
1	Manopola del connettore	1	Apertura dell'albero.
2	Gruppo impugnatura ausiliaria	1	Montaggio dell'impugnatura ausiliaria.
3	Protezione Vite	1 2	Montaggio della protezione.

1

Apertura dell'albero

Parti necessarie per questa operazione:

1	Manopola del connettore
---	-------------------------

Procedura

1. Aprite l'albero (A della [Figura 3](#)).
2. Fissate l'albero al connettore utilizzando la manopola del connettore (B di [Figura 3](#)).

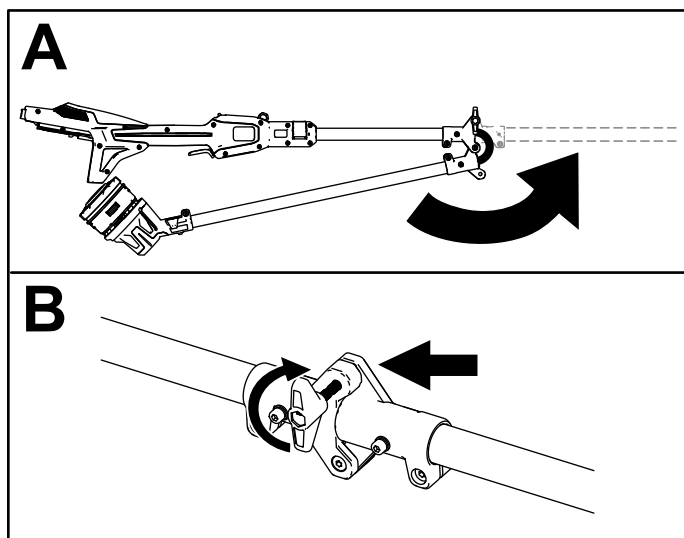


Figura 3

g507675

2

Montaggio dell'impugnatura ausiliaria

Parti necessarie per questa operazione:

1	Gruppo impugnatura ausiliaria
---	-------------------------------

Procedura

1. Separate l'impugnatura ausiliaria dalla staffa dell'impugnatura svitando la manopola di bloccaggio dell'impugnatura e rimuovendo il bullone (A di [Figura 4](#)).

Importante: Il bullone potrebbe essere a forma di cuneo inserito all'interno della plastica dell'impugnatura; premete leggermente il bullone fino a quando non è libero dall'impugnatura.

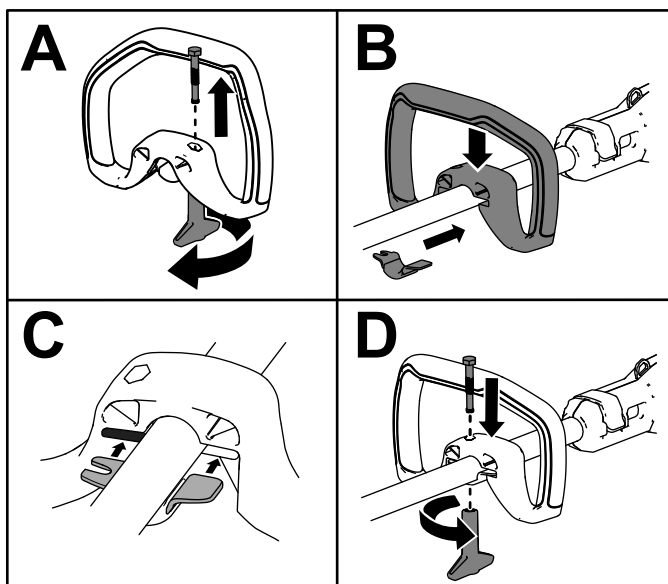


Figura 4

g507673

2. Allineate la staffa dell'impugnatura con l'impugnatura ausiliaria (B di [Figura 4](#)).
3. Fate scorrere la staffa dell'impugnatura nella fessura sull'impugnatura ausiliaria (C di [Figura 4](#)).

4. Fissate la staffa dell'impugnatura inferiore all'impugnatura ausiliaria con la manopola di bloccaggio dell'impugnatura e il dado rimosso in precedenza (D di [Figura 4](#)).

3

Montaggio della protezione

Parti necessarie per questa operazione:

1	Protezione
2	Vite

Procedura

Fissate la protezione sulla base del decespugliatore con le 2 viti.

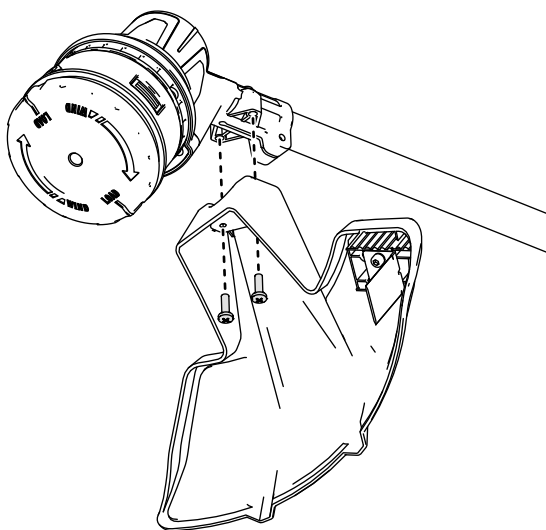


Figura 5

g507687

Quadro generale del prodotto

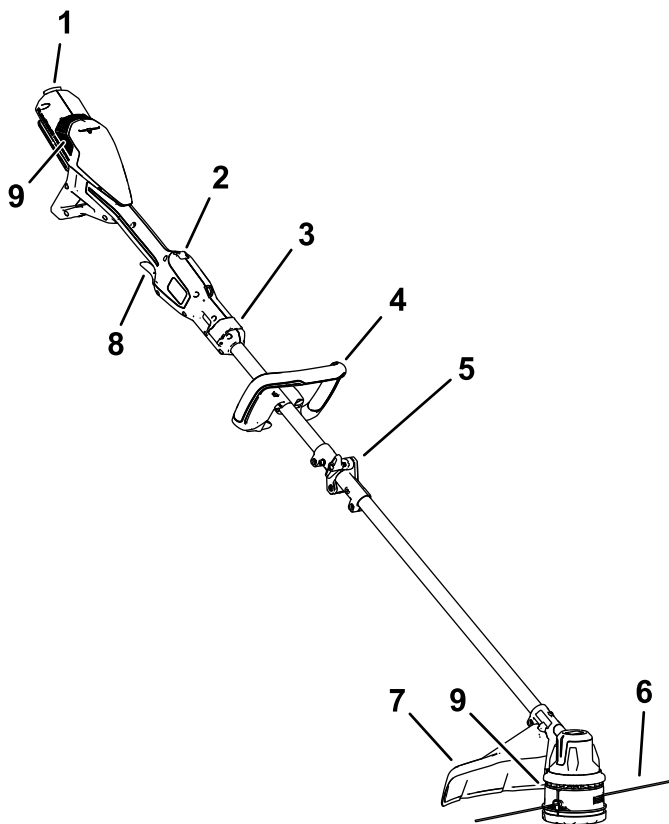


Figura 6

g507020

- | | |
|--------------------------------------|-------------------------------|
| 1. Fermo della batteria | 6. Linea di taglio |
| 2. Interruttore di bloccaggio | 7. Protezione |
| 3. Fermo sistema telescopico | 8. Levetta di azionamento |
| 4. Impugnatura ausiliaria | 9. Sfiati del decespugliatore |
| 5. Connettore della metà dell'albero | |

Specifiche

Modello	51890T
Tensione nominale	60 V c.c. massima; 54 V c.c. utilizzo nominale
Tipo di caricabatterie	Caricabatterie agli ioni di litio da 60 V Flex-Force
Tipo di batteria	Batterie agli ioni di litio da 60 V Flex-Force*

In caso di utilizzo di questa macchina con un pacco batteria da 8,0 Ah o superiore, è necessario montare l'imbracatura a sgancio rapido (modello 139-5334, non incluso).

Intervalli di temperatura idonei

Caricate/rimessate il pacco batteria a	5 °C–40 °C*
Utilizzate il pacco batteria a	-30 °C–49 °C
Utilizzate il decespugliatore a	0 °C–49 °C
Rimessate il decespugliatore a	0 °C–49 °C*

*I tempi di ricarica aumenteranno se la ricarica non avviene all'interno di questo intervallo.

Stocate l'utensile, la batteria e il caricabatterie in un luogo ben pulito e asciutto.

Attrezzi/accessori

È disponibile una gamma di attrezzi ed accessori approvati da Toro per l'impiego con la macchina, per ottimizzare ed ampliare le sue applicazioni. Richiedete la lista degli attrezzi ed accessori approvati ad un Centro Assistenza Toro o ad un Distributore autorizzati, oppure visitate www.Toro.com

Per garantire prestazioni ottimali e mantenere sempre la macchina in conformità alle norme di sicurezza, utilizzate esclusivamente ricambi e accessori originali Toro. Ricambi e accessori fabbricati da altri produttori potrebbero essere pericolosi.

Funzionamento

Avviamento del decespugliatore

1. Assicuratevi che gli sfiati sul decespugliatore siano privi di polvere e detriti.
2. Allineate la cavità nel pacco batteria con la linguetta sull'alloggiamento della testa di alimentazione (Figura 7).
3. Spingete il pacco batteria nella testa di alimentazione fino a quando la batteria non si blocca nel fermo (Figura 7).

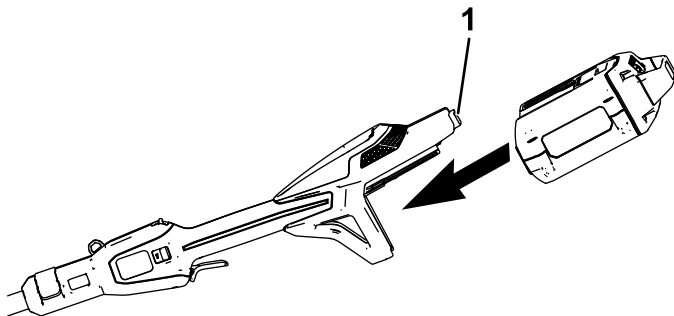


Figura 7

g507688

1. Fermo della batteria

4. Per avviare il decespugliatore, tirate indietro l'interruttore di bloccaggio, poi schiacciate la levetta della velocità variabile (Figura 8).

Nota: Fate scorrere l'interruttore dell'intervallo di velocità per cambiare la velocità del decespugliatore.

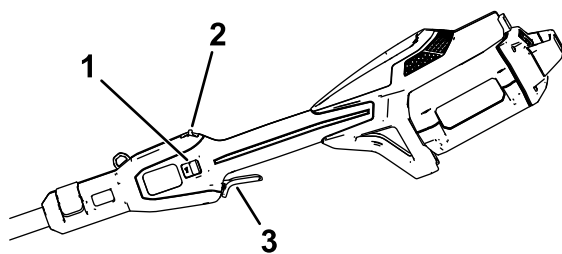


Figura 8

g507689

1. Interruttore dell'intervallo di velocità
2. Interruttore di bloccaggio
3. Levetta della velocità variabile

Arresto del decespugliatore

Per spegnere il decespugliatore, rilasciate la levetta e l'interruttore di bloccaggio.

Quando il decespugliatore non è in uso o lo state trasportando verso o da un'area di lavoro, rimuovete il pacco batteria.

Rimozione del pacco batteria dal decespugliatore

Premete il fermo della batteria per rilasciare il pacco batteria e fate scorrere il pacco batteria fuori dalla macchina (Figura 9).

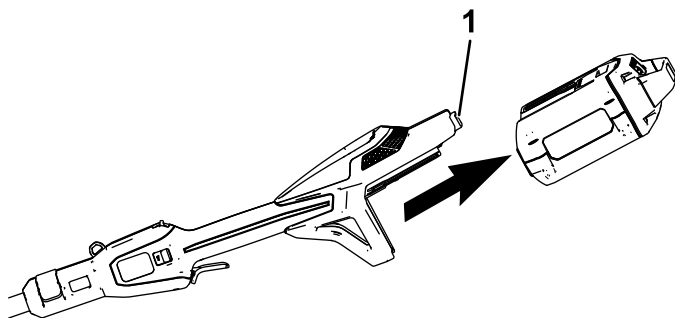


Figura 9

g507691

1. Fermo della batteria
-

Regolazione della posizione dell'impugnatura ausiliaria

1. Allentate la manopola di bloccaggio dell'impugnatura sulla base dell'impugnatura ausiliaria.
2. Regolate la posizione dell'impugnatura ausiliaria sull'albero in modo che possiate tenere il decespugliatore in una posizione neutra e confortevole quando lo utilizzate.
3. Serrate la manopola di bloccaggio dell'impugnatura per fissare l'impugnatura ausiliaria.

Regolazione della lunghezza dell'albero

1. Aprite il fermo del sistema telescopico posizionato davanti all'impugnatura.
2. Estendete o ritraete l'albero in modo che possiate tenere il decespugliatore in una posizione neutra e confortevole quando lo utilizzate.
3. Chiudete il fermo del sistema telescopico per fissare l'albero.

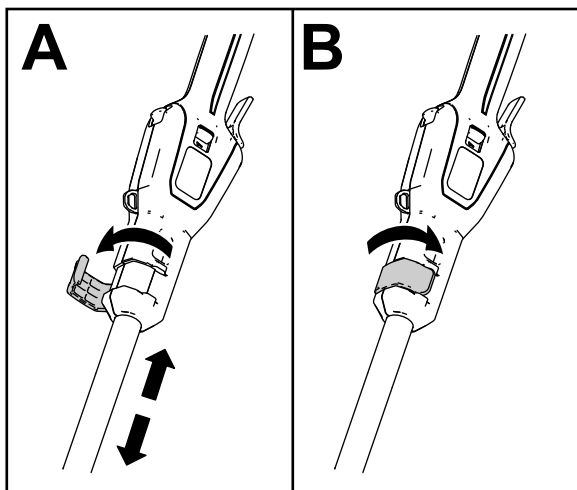


Figura 10

g507705

Avanzamento della linea utilizzando l'alimentazione “batti e vai”

1. Azionate l'utensile a pieno regime.
2. Premete il sistema automatico di avanzamento sul terreno per far avanzare la linea. La linea avanza ogni volta che viene premuto il sistema automatico di avanzamento.

Importante: Non mantenete il sistema automatico di avanzamento sul terreno durante l'utilizzo del decespugliatore.

Nota: La lama di taglio della linea sul deflettore dello sfalcio taglia la linea alla lunghezza corretta.

Nota: Se la linea raggiunge una lunghezza troppo corta a causa dell'usura, potreste non riuscire a far avanzare la linea facendola toccare a terra. In questo caso, rilasciate la levetta e l'interruttore di bloccaggio e fate riferimento a [Avanzamento manuale della linea \(pagina 22\)](#).

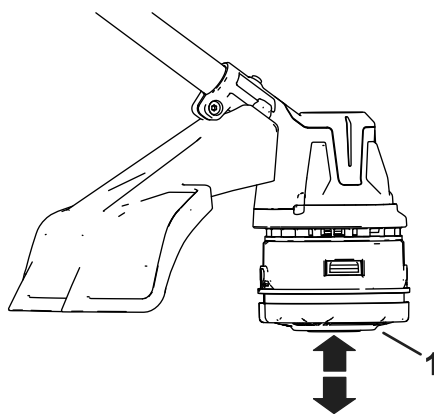


Figura 11

1. Sistema automatico di avanzamento

g507693

Avanzamento manuale della linea

Rimuovete il pacco batteria dal decespugliatore, poi premete il sistema automatico di avanzamento alla base del fermo della bobina tirando manualmente la linea del decespugliatore per far avanzare la linea.

Utilizzo dello spallaccio

Importante: Se state utilizzando il decespugliatore con un pacco batteria da 8,0 Ah o superiore, montate uno spallaccio (non incluso). Non utilizzate lo spallaccio se state alimentando il decespugliatore con lo zaino e il supporto per lo zaino; utilizzate solo l'imbracatura per lo zaino.

Collegate il moschettone dello spallaccio all'occhiello di fissaggio posto sopra all'impugnatura (Figura 12).

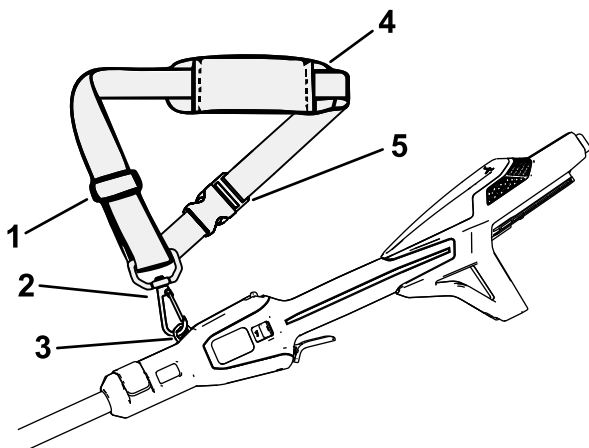


Figura 12

g507529

- | | |
|------------------------------|----------------------------|
| 1. Regolatore della fascetta | 4. Imbottitura spallaccio |
| 2. Moschettone rotante | 5. Fibbia a sgancio rapido |
| 3. Occhiello di fissaggio | |

La lunghezza della fascetta è regolabile; fate scorrere il regolatore della fascetta verso l'alto per diminuire la lunghezza della fascetta, o verso il basso per aumentare la lunghezza della fascetta (Figura 12).

Qualora fosse necessario rimuovere rapidamente l'imbracatura, scollegate la fibbia a sgancio rapido come segue:

1. Esercitate una pressione sui lati della fibbia (A di Figura 13).

2. Consentite lo sganciamento della fibbia (B di [Figura 13](#)).

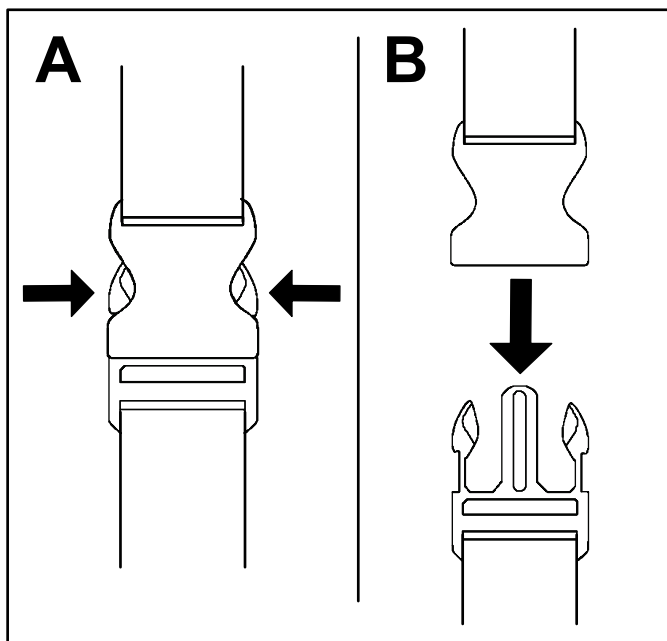


Figura 13

g340477

Suggerimenti

- Tenete il decespugliatore inclinato verso l'area da tagliare; è l'area di taglio migliore.
- Il decespugliatore taglia quando procedete da destra a sinistra. Questo evita che il decespugliatore scagli detriti verso di voi.
- Utilizzate la punta della linea per eseguire il taglio; non forzate la testa del decespugliatore all'interno di erba non tagliata.
- Le recinzioni metalliche e le staccionate possono causare un'usura rapida e persino la rottura della linea di taglio. Anche i muri di pietra e mattoni, i cordoli e il legno possono causare una rapida usura della linea di taglio.
- Evitate alberi e arbusti. La linea di taglio può danneggiare facilmente corteccie d'albero, modanature in legno, rivestimenti e pali di recinzioni.

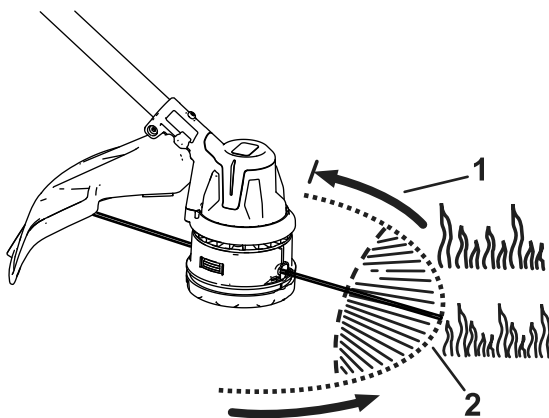


Figura 14

1. Direzione di rotazione

2. Percorso della linea di taglio

g507692

Manutenzione

Dopo ogni utilizzo del tagliaerba, completate quanto segue:

1. Rimuovete il pacco batteria dal decespugliatore.
2. Pulite il decespugliatore con un panno umido. Non lavate il decespugliatore con un flessibile da giardino e non immergetelo in acqua.

⚠ ATTENZIONE

La lama di taglio della linea sul deflettore è affilata e può tagliarvi.

Non utilizzate le mani per pulire lo schermo e la lama del deflettore.

3. Pulite o raschiate l'area della testa di taglio ogni volta che si verifica un accumulo di detriti.
4. Controllate e serrate tutti i dispositivi di fissaggio. Nel caso in cui una parte sia danneggiata o persa, riparatela o sostituirla.
5. Pulite i detriti dalle prese d'aria sulla testa di alimentazione e sullo scarico dell'alloggiamento del motore per impedire il surriscaldamento del motore.

Sostituzione della linea di taglio

Utilizzate solo linee di taglio Toro monofilo da 2,0 mm di diametro o monofilo annodato da 2,4 mm di diametro.

1. Rimuovete il pacco batteria dal decespugliatore.
2. Rimuovete un'eventuale linea esistente sulla bobina premendo ripetutamente il sistema automatico di avanzamento e tirandola la linea estraendola in parti uguali da entrambi i lati del sistema automatico di avanzamento.
3. Tagliate una porzione di linea non più lunga di 7,3 m.

Importante: Non sovraccaricate la bobina.

Importante: Non utilizzate un altro calibro o un altro tipo di linea, dal momento che questo potrebbe danneggiare il decespugliatore.

4. Premete il sistema automatico di avanzamento e ruotatelo nella direzione indicata dalle frecce (in senso orario) presenti sul fondo del sistema automatico di avanzamento fino a che i contrassegni sul

lato del sistema automatico di avanzamento non sono allineati con i contrassegni sotto gli occhielli (Figura 15).

5. Inserite 1 estremità della linea diritta all'interno dell'occhiello e premete la linea fino a quando non fuoriesce dall'altro lato dell'occhiello.

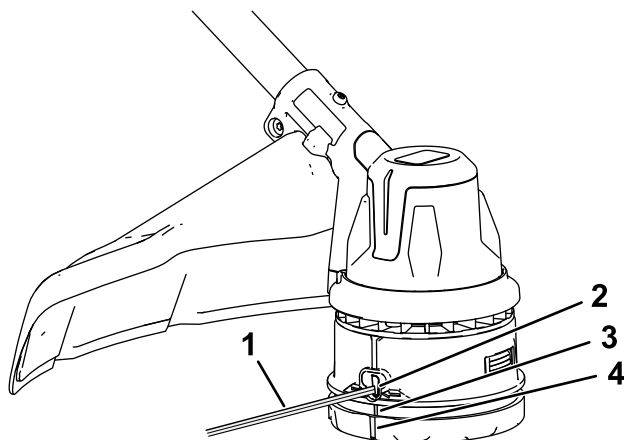


Figura 15

g507694

1. Linea di taglio
2. Occhiello
3. Indicazione di allineamento dell'occhiello
4. Contrassegno allineamento sistema automatico di avanzamento

Importante: Non smontate la testa del decespugliatore.

6. Tirate la linea attraverso gli occhielli fino a quando non raggiungete un'uguale lunghezza della linea su ogni lato della testa del decespugliatore.
7. Mantenete il decespugliatore in posizione con una mano. Con l'altra mano, ruotate la parte inferiore del decespugliatore nella direzione mostrata dalle frecce (in senso orario) sulla parte inferiore del sistema automatico di avanzamento per avvolgere la linea; lasciare circa 152 mm di linea oltre l'occhiello su ogni lato.

Sostituzione della testa del decespugliatore

1. Rimuovete il pacco batteria dal decespugliatore.
2. Inserite un utensile dal diametro ridotto (come un cacciavite) all'interno dell'alloggiamento del motore e all'interno della scanalatura della ventola per fissare la testa del decespugliatore in modo che non possa ruotare liberamente (Figura 16).

Nota: Con l'utensile inserito nel foro, ruotate la testa del decespugliatore fino a che non sentite che l'asta cade all'interno della scanalatura.

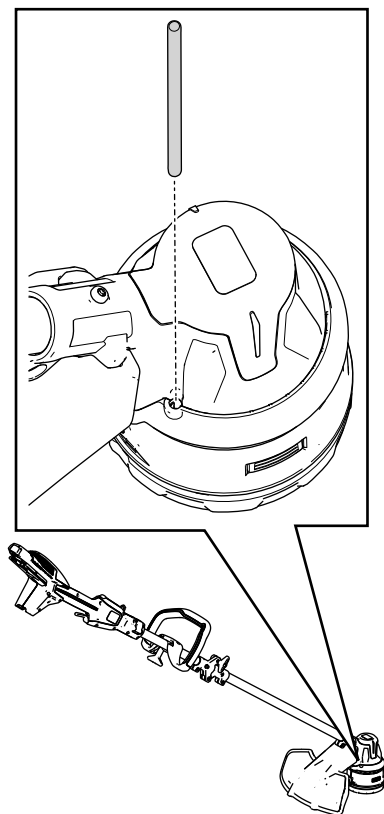


Figura 16

g512077

3. Con un utensile che fissa la testa del decespugliatore, ruotate la testa del decespugliatore in senso antiorario per rimuoverla dal perno della scatola degli ingranaggi filettato (Figura 17).

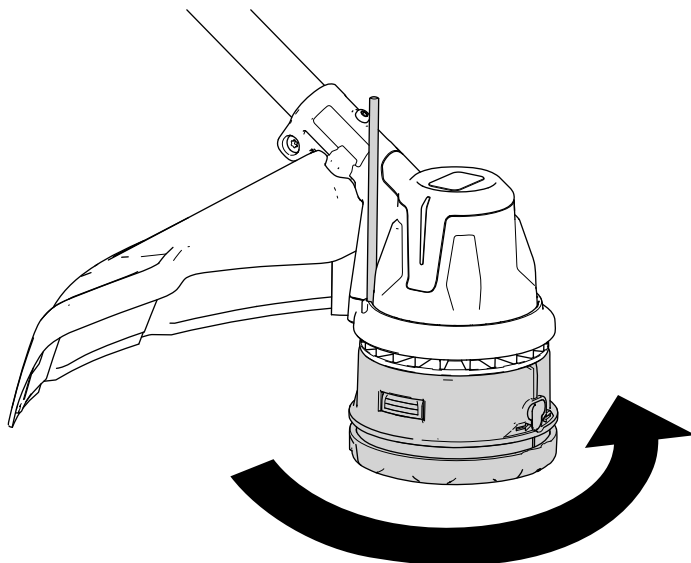


Figura 17

g516022

-
4. Per montare la nuova testa del decespugliatore, ruotatela in senso orario sul perno della scatola degli ingranaggi mentre fissate la ventola con un utensile.

Rimessaggio

Importante: Stoccate la macchina, il pacco batteria e il caricabatterie solo a temperature comprese all'interno dell'intervallo opportuno; fate riferimento a [Specifiche \(pagina 18\)](#).

Importante: Se stoccate la macchina per un anno o più, rimuovete il pacco batteria dalla macchina e caricatelo fino a quando 1 o 2 indicatori LED non diventano verdi sulla batteria. Non stoccate una batteria completamente carica o completamente scarica. Quando dovete utilizzare di nuovo la macchina, caricate il pacco batteria fino a quando la spia di indicazione sinistra non diventa verde sul caricabatterie o quando tutti e 4 gli indicatori LED non diventano verdi sulla batteria.

- Scollegate la macchina dall'alimentazione (ovvero, rimuovete il pacco batteria) e controllate per escludere eventuali danni dopo l'uso.
- Ripulite la macchina da tutti i materiali estranei.
- Non rimessate la macchina o il caricabatterie con il pacco batteria installato.
- Quando non in uso, rimessate la macchina, il pacco batteria e il caricabatterie fuori dalla portata dei bambini.
- Tenete macchina, pacco batteria e caricabatterie lontano da agenti corrosivi, come sostanze chimiche per il giardino e sali di sbrinamento.
- Per ridurre il rischio di gravi lesioni personali, non stoccate il pacco batteria all'aperto o all'interno di veicoli.
- Stoccate la macchina, il pacco batteria e il caricabatterie in un luogo chiuso, ben pulito e asciutto.
- Quando la macchina è ripiegata per lo stoccaggio, non appendetela dal cablaggio elettrico.

Preparazione del pacco batteria per il riciclaggio

Importante: Al momento della rimozione, coprite i terminali del pacco batteria con nastro adesivo per servizio pesante. Non tentate di distruggere o smontare il pacco batteria o di rimuoverne i componenti.



Contattate la vostra sede municipale o il vostro Centro assistenza o distributore Toro autorizzato per ulteriori informazioni su come riciclare responsabilmente la batteria.

	<p>I pacchi batteria agli ioni di litio etichettati con il sigillo Call2Recycle possono essere riciclati presso qualsiasi rivenditore o struttura di riciclaggio delle batterie all'interno del programma Call2Recycle (solo Stati Uniti e Canada). Per individuare il rivenditore o la struttura aderenti più vicini a voi, chiamate il numero 1-800-822-8837 o visitate il sito www.call2recycle.org.</p>
	<p>I pacchi batteria agli ioni di litio che presentano il sigillo High Energy Battery (HEB) qui mostrato e tutte le batterie Flex-Force 60 V da 6,0 Ah o più possono essere riciclati presso qualsiasi distributore o rivenditore aderente all'interno del programma HEB Call2Recycle. Per individuare il distributore o rivenditore aderente più vicino a voi, visitate il sito www.hebattery.org.</p>

Se non siete in grado di individuare un distributore o rivenditore aderente vicino a voi o se avete delle domande in merito a quale sia il programma di riciclaggio a cui è idoneo il vostro pacco batteria, visitate il sito di assistenza clienti specificato nel Manuale dell'operatore del vostro utensile/della vostra attrezzatura per ottenere maggiori informazioni su come riciclare responsabilmente il pacco batteria.

Se siete residenti al di fuori di Stati Uniti e Canada, contattate il vostro distributore o Centro assistenza autorizzato per ottenere maggiori informazioni su come riciclare responsabilmente il pacco batteria.

Localizzazione guasti

Effettuate solo i passaggi descritti in queste istruzioni. Tutti i successivi interventi di ispezione, manutenzione e riparazione devono essere effettuati da un centro assistenza autorizzato o da uno specialista analogamente qualificato se non siete in grado di risolvere il problema da soli.

Rimuovete sempre la batteria dall'utensile per la soluzione di problemi, l'ispezione, la manutenzione o la pulizia dell'utensile.

Problema	Possibile causa	Rimedio
L'utensile non funziona o non funziona continuamente.	<ol style="list-style-type: none">1. La batteria non è completamente installata nell'utensile.2. Il pacco batteria non è carico.3. Il pacco batteria si trova al di sopra o al di sotto del corretto intervallo di temperature.4. È presente dell'umidità sui poli del pacco batteria.5. Il pacco batteria è danneggiato.6. L'utensile presenta un altro problema elettrico.	<ol style="list-style-type: none">1. Rimuovete e poi riposizionate la batteria nell'utensile, assicurandovi che sia completamente installata e fissata.2. Rimuovete il pacco batteria dall'utensile e caricatelo.3. Spostate il pacco batteria in un luogo asciutto e in cui la temperatura sia compresa tra 5 °C e 40 °C.4. Asciugate o lasciate asciugare il pacco batteria.5. Sostituite il pacco batteria.6. Contattate un centro assistenza autorizzato.
L'utensile non raggiunge la piena potenza, o l'alloggiamento del motore si surriscalda.	<ol style="list-style-type: none">1. La capacità di carica del pacco batteria è troppo bassa.2. Gli sfiati dell'aria sono bloccati.	<ol style="list-style-type: none">1. Rimuovete il pacco batteria dall'utensile e caricatelo completamente.2. Pulite gli sfiati dell'aria.

Problema	Possibile causa	Rimedio
L'utensile produce vibrazioni o rumore eccessivi.	<ol style="list-style-type: none"> 1. Ci sono detriti sotto la protezione per l'erba o nell'alloggiamento del sistema automatico di avanzamento sul decespugliatore. 2. La bobina non è avvolta correttamente. 	<ol style="list-style-type: none"> 1. Rimuovete eventuali da sotto la protezione per l'erba o nell'alloggiamento del sistema automatico di avanzamento. 2. Fate avanzare la linea utilizzando il sistema automatico di avanzamento e/o rimuovete la linea sulla bobina e riavvolgete la bobina.
I sistema automatico di avanzamento non fa avanzare la linea non procede.	<ol style="list-style-type: none"> 1. Il decespugliatore ha esaurito la linea. 2. La linea è aggrovigliata nell'alloggiamento del sistema automatico di avanzamento. 3. Ci sono detriti sotto la protezione per l'erba o nell'alloggiamento del sistema automatico di avanzamento sul decespugliatore. 	<ol style="list-style-type: none"> 1. Aggiungete altra linea al sistema automatico di avanzamento. 2. Rimuovete il coperchio del sistema automatico di avanzamento e districate la linea. 3. Rimuovete eventuali da sotto la protezione per l'erba o nell'alloggiamento del sistema automatico di avanzamento.
Il pacco batteria perde rapidamente la carica.	<ol style="list-style-type: none"> 1. Il pacco batteria si trova al di sopra o al di sotto del corretto intervallo di temperature. 2. Il decespugliatore è sovraccarico. 	<ol style="list-style-type: none"> 1. Spostate il pacco batteria in un luogo asciutto e in cui la temperatura sia compresa tra 5 °C e 40 °C. 2. Lavorate a un ritmo più lento.



Count on it.

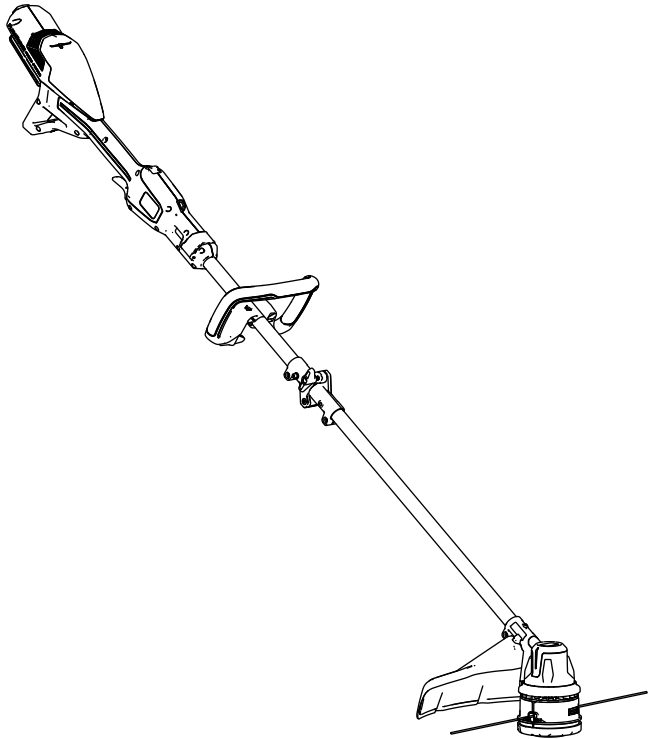
TORO[®]

Count on it.

Gebruikershandleiding

**Flex-Force Power System[®]
60 V 35 cm Draadtrimmer**

Modelnr.: 51890T—Serienr.: 326000000 en hoger



Registreer uw product op
www.Toro.com.
Vertaling van de oorspronkelijke
tekst (NL)

CE UK
CA





Voor hulp, surf naar www.Toro.com/support voor instructiemateriaal of neem contact op met uw erkende servicedealer, voordat u dit product retourneert.

Dit product voldoet aan alle relevante Europese richtlijnen, voor nadere informatie wordt u verwezen naar de afzonderlijke conformiteitsverklaring.

Inleiding

Deze trimmer is bedoeld voor particulieren die buitenshuis gras willen trimmen. Hij is ontworpen voor gebruik met Flex-Force™ 60 V lithiumionaccupacks. Deze accupacks mogen alleen worden opgeladen met een Flex-Force 60 V lithiumionacculader. Gebruik voor een andere dan de bedoelde toepassing zou gevaar kunnen opleveren voor u en omstanders.

Belangrijk: Als u deze machine gebruikt met een accupack van 8,0 Ah of meer, moet u het snelharnas model 139-5334 (niet meegeleverd) monteren voor een goede ondersteuning en balans.

Gebruik geen andere harnassen of meerdere harnassen wanneer u de machine gebruikt.

Model 51890T beschikt niet over een accu of een lader.

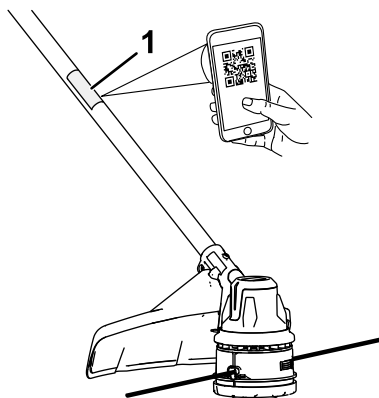
Lees deze informatie zorgvuldig door, zodat u weet hoe u de machine op de juiste wijze moet gebruiken en onderhouden en om letsel en schade aan de machine te voorkomen. U bent verantwoordelijk voor het juiste en veilige gebruik van de machine.

Ga naar www.Toro.com voor documentatie over productveiligheid en bedieningsinstructies, informatie over accessoires, hulp bij het vinden van een dealer of om uw product te registreren.



Als u service, originele onderdelen van de fabrikant of aanvullende informatie nodig hebt, kunt u contact opnemen met een erkende servicedealer of met de klantenservice van de fabrikant. U dient hierbij altijd het modelnummer en het serienummer van het product te vermelden. De locatie van het plaatje met het modelnummer en het serienummer van het product is aangegeven op [Figuur 1](#). U kunt de nummers noteren in de ruimte hieronder.

Belangrijk: U kunt met uw mobiel apparaat de QR-code op het plaatje met het serienummer (indien aanwezig) scannen om toegang te krijgen tot de garantie, onderdelen en andere productinformatie.



Figuur 1

g507019

1. Model, serienummer, en plaats van de QR-code

Modelnr.: _____
Serienr.: _____

Waarschuwingssymbool

Het waarschuwingssymbool (Figuur 2) dat wordt getoond in deze handleiding en op de machine geeft belangrijke veiligheidsinformatie aan die u moet opvolgen om ongelukken te voorkomen.



Figuur 2

Waarschuwingssymbool

g000502

Het waarschuwingssymbool wordt weergegeven boven informatie die u waarschuwt voor onveilige acties of situaties en wordt gevolgd door het woord **GEVAAR**, **WAARSCHUWING**, of **VOORZICHTIG**.

GEVAAR: een direct gevaarlijke situatie die, als deze niet wordt voorkomen, **zal leiden** tot de dood of ernstig letsel.

WAARSCHUWING: een mogelijk gevaarlijke situatie die, als deze niet wordt voorkomen, **kan leiden** tot de dood of ernstig letsel.

VOORZICHTIG: een mogelijk gevaarlijke situatie die, als deze niet wordt voorkomen, **kan leiden** tot licht of middelmatig letsel.

Er worden in deze handleiding nog twee woorden gebruikt om uw aandacht op bijzondere informatie te vestigen. **Belangrijk** attendeert u op bijzondere technische informatie en **Opmerking** duidt algemene informatie aan die bijzondere aandacht verdient.

Veiligheid

⚠ WAARSCHUWING

Lees alle veiligheidswaarschuwingen, instructies, afbeeldingen en specificaties die werden meegeleverd met deze machine.

Als u nalaat om alle hieronder genoemde instructies op te volgen, kan dit leiden tot elektrische schokken, brand en/of ernstig letsel.

Bewaar alle waarschuwingen en voorschriften zodat u deze later nogmaals kunt raadplegen.

De term 'machine' in de waarschuwingen verwijst naar uw machine met elektriciteitskabel of met accu (draadloos).

I. Veiligheid van het werkgebied

1. **Hou het werkgebied schoon en goed verlicht.** *Rommelige of donkere omgevingen lokken ongevallen uit.*
2. **Gebruik de machines niet in omgevingen waar ontploffingsgevaar heerst, bijvoorbeeld in de buurt van ontvlambare vloeistoffen, gassen of stof.** *De machines produceren vonken die het stof of de dampen kunnen doen ontvlammen.*
3. **Houd kinderen en omstanders uit de buurt wanneer u met een machine aan het werk bent.** *Afleiding kan ervoor zorgen dat u de controle verliest.*

II. Elektrische veiligheid

1. **Stekkers van de machine moeten passen in het stopcontact. Pas de stekker nooit aan. Gebruik geen verloopstekkers in combinatie met geaarde machines.** *Onbewerkte stekkers en passende stopcontacten verkleinen het risico op elektrische schokken.*
2. **Vermijd contact tussen uw lichaam en geaarde oppervlakken zoals buizen, radiatoren, fornuizen en koelkasten.** *Er is meer kans op elektrische schokken als uw lichaam geaard is.*
3. **Stel de machines niet bloot aan regen of natte omgevingen.** *Water dat een machine binnendringt, verhoogt het risico op elektrische schokken.*
4. **Het snoer niet verkeerd gebruiken. Gebruik het snoer nooit om de machine te dragen, trekken of uit het stopcontact te halen. Hou het snoer uit de buurt van hitte, olie, scherpe randen en bewegende onderdelen.** *Beschadigde of verwarde snoeren verhogen het risico op elektrische schokken.*
5. **Als u een machine buiten gebruikt, gebruik dan een verlengsnoer dat geschikt is voor buitengebruik.** *Een snoer gebruiken dat geschikt is voor buitengebruik verkleint de kans op elektrische schokken.*
6. **Als gebruik van een machine in een vochtige omgeving noodzakelijk is, gebruik dan een stroomvoorziening die beveiligd is met een aardlekschakelaar.** *Gebruik van een aardlekschakelaar verkleint het risico op elektrische schokken.*

III. Persoonlijke veiligheid

1. **Blijf alert, let op wat u doet en gebruik uw gezond verstand wanneer u een machine gebruikt. Gebruik een machine niet als u moe bent of onder de invloed van drugs, alcohol, of medicijnen verkeert.** *Een moment van onoplettendheid tijdens het gebruik van de machines kan ernstig lichamelijk letsel tot gevolg hebben.*
2. **Gebruik persoonlijke beschermingsmiddelen. Draag altijd oogbescherming.** *Beschermingsmiddelen zoals een stofmasker, veiligheidsschoenen met antislipzool, veiligheidshelm en gehoorbescherming zullen bij juist gebruik het risico op lichamelijk letsel verkleinen.*
3. **Voorkom dat u het gereedschap onbedoeld inschakelt. Zorg ervoor dat de schakelaar op UIT staat voordat u het gereedschap aansluit op het elektriciteitsnet en/of het accupack, of voordat u het gereedschap oppakt of draagt.** *Machines dragen met uw vinger op de schakelaar, of machines in werking stellen terwijl de schakelaar aan staat, lokt ongevallen uit.*
4. **Verwijder stelsleutels en moersleutels voordat u de machine inschakelt.** *Een moer- of stelsleutel laten zitten op een draaiend deel van de machine kan tot lichamelijk letsel leiden.*
5. **Reik niet te ver. Zorg dat u te allen tijde stevig en evenwichtig staat.** *Zo hebt u meer controle over de machine als zich onverwachte situaties voordoen.*
6. **Draag geschikte kleding. Draag geen losse kleding of sieraden. Hou uw haar en kleren uit de buurt van bewegende onderdelen.** *Losse kleding, sieraden en lang haar kunnen gegrepen worden door bewegende onderdelen.*
7. **Als er toestellen voorzien worden voor de aansluiting van stofafzuiging- en stofopvangvoorzieningen, zorg dan dat deze aangesloten zijn en correct worden gebruikt.** *Gebruik van zulke toestellen kan risico's veroorzaakt door stof verkleinen.*
8. **Als u vaak met hetzelfde gereedschap werkt en ermee vertrouwd raakt, bestaat het gevaar dat u er minder oplettend mee omgaat en de veiligheidsrichtlijnen niet meer naleeft. Let hiervoor op!** *Een nonchalante actie kan binnen een fractie van een seconde ernstig letsel veroorzaken.*

IV. Gebruik en onderhoud van de machine

1. **Forceer de machine niet. Gebruik de juiste machine voor het werk dat u wilt verrichten.** *De juiste machine doet het werk beter, veiliger en in het tempo waarvoor het bedoeld is.*

2. **Gebruik de machine niet als u ze niet aan en uit kunt schakelen met de schakelaar.** *Een machine die niet kan worden bediend met de schakelaar is gevaarlijk en moet worden hersteld.*
3. **Koppel de stekker los van de stroomvoorziening en/of verwijder het accupack van de machine, indien dit verwijderbaar is, voordat u aanpassingen maakt, accessoires verandert of de machines stalt.** *Zulke preventieve veiligheidsmaatregelen verkleinen de kans dat u de machine per ongeluk inschakelt.*
4. **Bewaar machines die niet worden gebruikt buiten het bereik van kinderen, en voorkom dat personen die de machine of deze voorschriften niet kennen de machine gebruiken.** *Machines zijn gevaarlijk in de handen van gebruikers die niet de nodige training hebben genoten.*
5. **Onderhoud de machines en de accessoires. Controleer op slechte uitlijning of vastlopen van bewegende onderdelen, defecte onderdelen en andere omstandigheden die de werking van de machine nadelig kunnen beïnvloeden. In geval van schade dient u de machine te laten herstellen voordat u ze weer in gebruik neemt.** *Tal van ongevallen worden veroorzaakt door slecht onderhouden machines.*
6. **Hou snoeimachines scherp en schoon.** *Goed onderhouden snoeimachines met scherpe snijranden lopen minder snel vast en zijn eenvoudiger te bedienen.*
7. **Gebruik de machine, accessoires, opzetwerktuigen enz. in overeenstemming met deze instructies, rekening houdend met de werkomstandigheden en het uit te voeren werk.** *Gebruik van de machine voor andere doeleinden dan die waarvoor ze bedoeld is, kan aanleiding geven tot een gevaarlijke situatie.*
8. **Hou de handgrepen en aanraakoppervlakken droog, schoon en vrij van olie en vet.** *Als de handgrepen en aanraakoppervlakken glibberig zijn, kunt u niet veilig omgaan met het gereedschap en kunt u het niet beheersen in onverwachte omstandigheden.*

V. Gebruik van en zorg voor gereedschap met accu

1. **Alleen herladen met de door de fabrikant aanbevolen lader.** *Een lader die geschikt is voor het ene type accupack kan in combinatie met een ander accupack voor brandgevaar zorgen.*
2. **Gebruik machines alleen met specifiek daarvoor bestemde accupacks.** *Gebruik van andere accupacks kan lichamelijk letsel en brand veroorzaken.*
3. **Als het accupack niet wordt gebruikt, hou het dan uit de buurt van metalen voorwerpen zoals paperclips, muntjes, sleutels,**

nagels, schroeven en andere kleine metalen objecten die een brug kunnen vormen tussen de polen. Kortsluiting tussen de accupolen kan brandwonden en brand veroorzaken.

4. **Bij verkeerd gebruik kan vloeistof uit de accu lekken; vermijd contact hiermee. Als u er per ongeluk toch mee in aanraking komt, spoel dan met water. Als de vloeistof in uw ogen terecht komt, raadpleeg dan een arts. Vloeistof die uit de accu ontsnapt, kan irritatie van de huid of brandwonden veroorzaken.**
5. **Gebruik geen accupack of gereedschap dat beschadigd of aangepast is. Beschadigde of aangepaste accu's kunnen onverwacht gedrag vertonen, wat kan leiden tot brand, explosie of lichamelijk letsel.**
6. **Stel een accupack of gereedschap niet bloot aan brand of een buitensporige temperatuur. Blootstelling aan brand of een temperatuur boven 130 °C kan een explosie veroorzaken.**
7. **Volg alle instructies aangaande het laden en laad het accupack of het gereedschap niet op buiten het temperatuurbereik dat wordt gespecificeerd in de instructies. Als u het accupack of het gereedschap niet juist oplaadt of met temperaturen buiten het gespecificeerde bereik, dan kan dit de accu beschadigen en het risico op brand verhogen.**

VI. Onderhoud

1. **Laat uw machine nazien door een erkende hersteller die alleen identieke vervangonderdelen gebruikt. Dit waarborgt veilig gebruik van de machine.**
2. **Voer nooit onderhoudswerkzaamheden uit aan beschadigde accupacks. Onderhoud van de accupacks mag enkel worden uitgevoerd door de fabrikant of erkende dienstverleners.**

VII. Uw draadtrimmer veilig gebruiken

1. **Gebruik de machine niet in slechte weersomstandigheden, vooral wanneer er een kans is op bliksem. Dit verhoogt de kans dat u getroffen wordt door bliksem.**
2. **Kijk zorgvuldig na of er zich wilde dieren bevinden in het gebied waar u de machine wilt gebruiken. Wilde dieren kunnen door een machine in bedrijf verwond worden.**
3. **Inspecteer grondig het terrein waar u de machine wilt gebruiken en verwijder alle stenen, takken, draden, botten en andere vreemde voorwerpen. Weggeslingerde voorwerpen kunnen lichamelijk letsel veroorzaken.**

4. **U moet telkens voor gebruik de draadtrimmer visueel inspecteren op schade.** *Beschadigde onderdelen vergroten het risico op letsel.*
5. **Laat de schermen op hun plaats zitten. De schermen moeten in goede staat verkeren en goed gemonteerd zijn.** *Een scherm dat los zit, beschadigd is of niet juist werkt, kan lichamelijk letsel tot gevolg hebben.*
6. **Houd de inlaat voor de koellucht vrij van vuil.** *Geblokkeerde luchtinlaten en vuil kunnen leiden tot brand of oververhitting.*
7. **Draag oog- en gehoorbescherming.** *Een geschikte beschermende uitrusting vermindert het risico op persoonlijk letsel.*
8. **Draag tijdens het werken met de machine altijd beschermende antislipschoenen. Loop niet op blote voeten en draag ook geen schoenen met open tenen als u de machine gebruikt.** *Zo loopt u minder risico op voetletsels veroorzaakt door een maaidraad in beweging.*
9. **Tijdens het gebruik van de machine dient men altijd gepaste kleding te dragen, zoals een broek die de benen volledig bedekt.** *U kunt gewond raken als een bewegende snijkop of maaidraad u raakt.*
10. **Houd omstanders uit de buurt wanneer u met de machine aan het werk bent.** *Weggeslingerd afval kan ernstig persoonlijk letsel veroorzaken.*
11. **Breng de machine niet hoger dan het middel.** *Zo voorkomt u dat de snijkop onbedoeld iets raakt, en heeft u een betere beheersing over de machine in onverwachte situaties.*
12. **Wees voorzichtig als u de machine in nat gras gebruikt. Wandelen, nooit rennen.** *Dit verkleint het risico dat u uitglijdt en valt, wat kan leiden tot lichamelijk letsel.*
13. **Gebruik de machine niet op extreem steile hellingen.** *Dit verkleint het risico dat u de controle verliest, uitglijdt en valt, en daarbij lichamelijk letsel oploopt.*
14. **Zorg dat u stevig staat wanneer u op hellingen werkt; maak hierbij dwarse werkgangen op de helling in plaats van steeds naar boven en beneden te gaan; wees uiterst voorzichtig wanneer u van richting verandert.** *Dit verkleint het risico dat u de controle verliest, uitglijdt en valt, en daarbij lichamelijk letsel oploopt.*
15. **Houd alle elektriciteits snoeren en kabels uit de buurt van het snoeigebied.** *Elektriciteits snoeren of kabels kunnen verborgen zijn*

in hagen of struiken en kunnen per ongeluk worden gesneden of beschadigd door de maaidraad.

16. **Houd alle lichaamsdelen uit de buurt van een snijkop of maaidraad in beweging. Verwijder materiaal pas uit de machine als deze uit het stopcontact is gehaald. Een snijkop of maaidraad in beweging kan ernstig lichamelijk letsel veroorzaken.**
17. **Moet u de machine dragen, zorg dan dat ze uitgeschakeld is en houd ze weg van het lichaam. Een juiste omgang met de machine verkleint de kans dat u per ongeluk een snijkop of maaidraad in beweging raakt.**
18. **Gebruik ter vervanging enkel snijkoppen en maaidraad die voldoet aan de specificaties van de fabrikant. Vervang de snijkoppen of maaidraad niet door metaaldraad of messen. Gebruik van onjuiste vervangonderdelen kan leiden tot controleverlies, afgebroken onderdelen en letsel.**
19. **Bij het verwijderen van vastgelopen materiaal of het verrichten van onderhoud aan de machine moet u ervoor zorgen dat de schakelaar uit staat en het accupack verwijderd is. Het onverwacht starten van de machine terwijl u vastgelopen materiaal verwijdert of onderhoud verricht, kan leiden tot ernstig lichamelijk letsel.**

BEWAAR DEZE AANWIJZINGEN




Stickersymbolen



Veiligheidsstickers en veiligheidsinstructies zijn gemakkelijk zichtbaar voor de gebruiker en bevinden zich bij plaatsen waar gevaar kan ontstaan. Vervang alle beschadigde of ontbrekende veiligheidsstickers.

De volgende tabellen beschrijven de veiligheids- en instructiesymbolen op de stickers.

Stickersymbool draadtrimmer	Verklaring
	De machine kan voorwerpen uitwerpen
	Waarschuwing
	Niet gebruiken in natte omgevingen.
	Gebruik geen metalen messen.
15 m (50 ft) 	Houd omstanders op een afstand van ten minste 15 m.
	Houd omstanders uit de buurt.
360° 	Hou omstanders aan alle kanten uit de buurt van het gereedschap.
	Laat alle afschermingen en afdekkingen op hun plaats.
	Lees de <i>Gebruikershandleiding</i> .
	Verwijder het accupack voordat u onderhoud uitvoert.

	Kom niet in de buurt van bewegende onderdelen.
	Gebruik een flexibele lijn.
	Draag oog- en gehoorbescherming.

Montage

Losse onderdelen

Gebruik onderstaande lijst om te controleren of alle onderdelen zijn geleverd.

Procedure	Omschrijving	Hoe- veel- heid	Gebruik
1	Verbindingsknop	1	De steel uitvouwen.
2	Hulphandgreep	1	De hulphandgreep monteren.
3	Beschermkap Schroef	1 2	De beschermkap monteren.

1

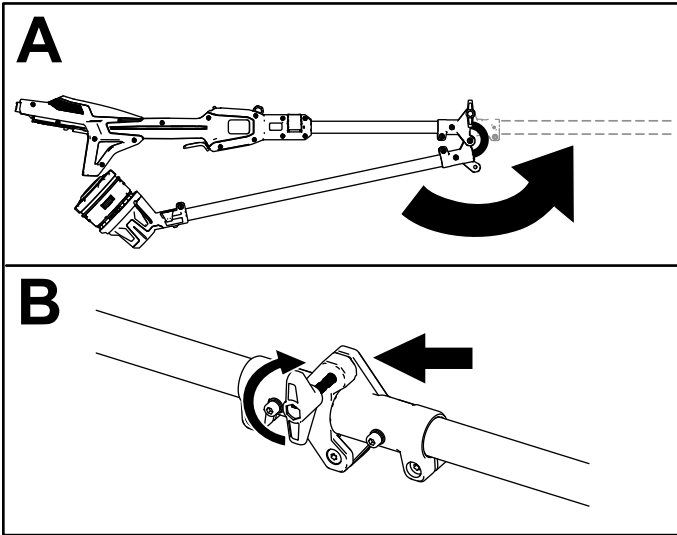
De steel uitvouwen

Benodigde onderdelen voor deze stap:

1	Verbindingsknop
---	-----------------

Procedure

1. Vouw de steel (A in [Figuur 3](#)) uit.
2. Maak de steel vast bij de koppeling; gebruik hiervoor de vergrendelingsknop (B in [Figuur 3](#)).



Figuur 3

g507675

2

De hulphandgreep monteren

Benodigde onderdelen voor deze stap:

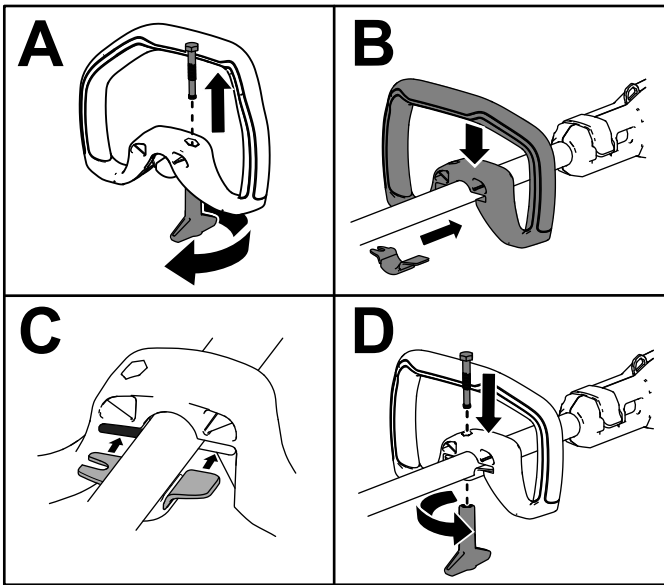
1

Hulphandgreep

Procedure

1. Neem de hulphandgreep van de handgreepbeugel door de hendelvergrendelingsknop los te schroeven en de bout (A in [Figuur 4](#)) te verwijderen.

Belangrijk: De bout zit mogelijk vast in het plastic van de handgreep; tik voorzichtig tegen de onderkant van de bout tot deze loskomt uit de handgreep.



Figuur 4

g507673

2. Plaats de hulphandgreep op de handgreepbeugel (B in [Figuur 4](#)).
3. Schuif de handgreepbeugel in de gleuf van de hulphandgreep (C in [Figuur 4](#)).

4. Bevestig de onderste handgreepbeugel op de hulphandgreep; gebruik de vergrendelingsknop van de handgreep en de bout die u eerder verwijderd hebt (D in [Figuur 4](#)).

3

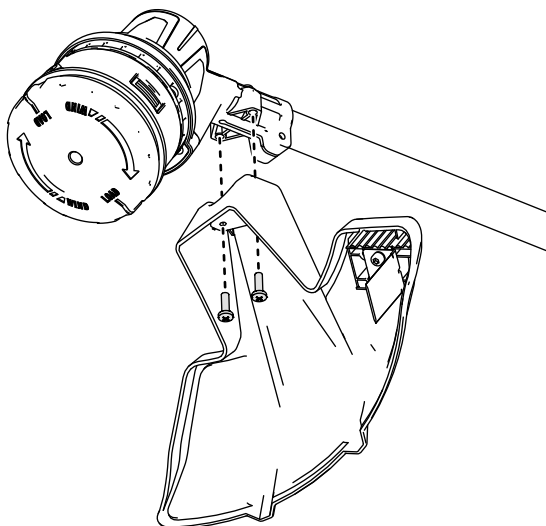
De beschermkap monteren

Benodigde onderdelen voor deze stap:

1	Beschermkap
2	Schroef

Procedure

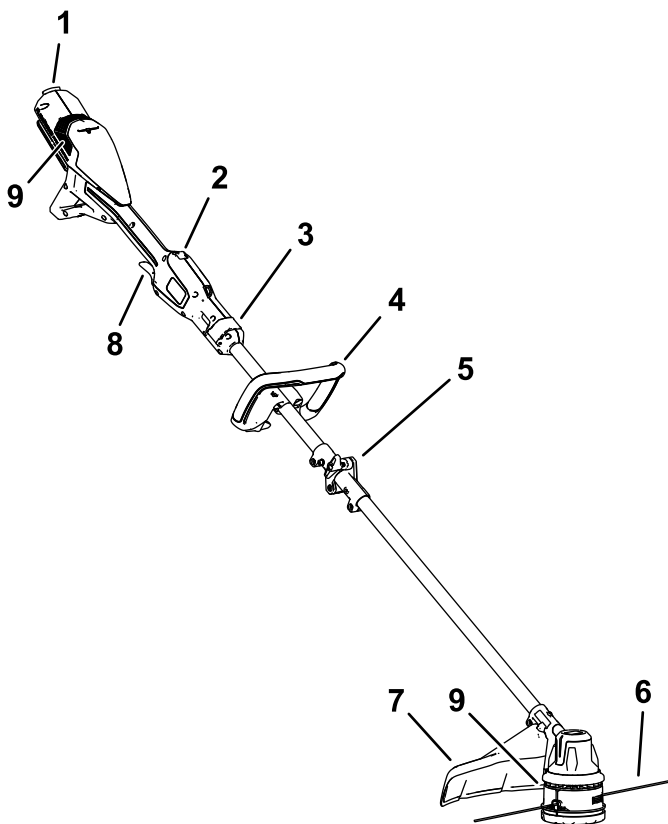
Monteer de beschermkap op de onderkant van de trimmer met de 2 schroeven.



Figuur 5

g507687

Algemeen overzicht van de machine



Figuur 6

- | | |
|---------------------------------------|-------------------------|
| 1. Accuvergrendeling | 6. Maaidraad |
| 2. Vergrendelingsknop | 7. Beschermkap |
| 3. Vergrendeling van uitschuifeenheid | 8. Inschakeltrekker |
| 4. Hulphandgreep | 9. Ventilatie-openingen |
| 5. Middelste koppeling | |

g507020

Specificaties

Model	51890T
Nominale spanning	Maximaal 60 V gelijkstroom, 54 V gelijkstroom nominaal gebruik
Lader	Flex-Force 60 V lithiumionacculaders
Accu	Flex-Force 60 V lithiumionaccu's*

Als u deze machine gebruikt met een accupack van 8,0 Ah of meer, moet u het snelharnas model 139-5334 (niet meegeleverd) monteren.

Temperatuurbereik

Opladen/opbergen van het accupack	5 °C tot 40 °C*
Gebruiken van het accupack	-30 °C tot 49 °C
Gebruiken van de trimmer	0 °C tot 49 °C
Opbergen van de trimmer	0 °C tot 49 °C*

*Het opladen zal langer duren als de omgevingstemperatuur buiten dit bereik valt.

Bewaar het apparaat, het accupack en de acculader op een afgesloten, schone en droge plaats.

Toebehoren/accessoires

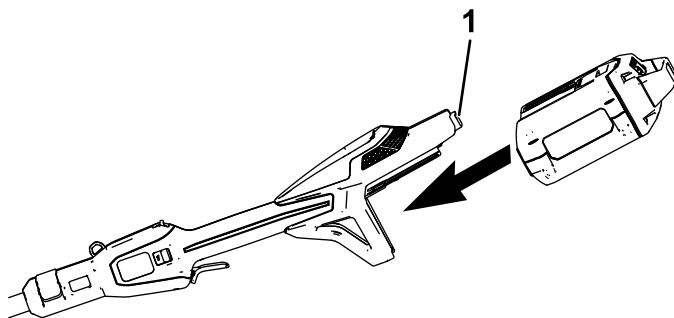
Een selectie van door Toro goedgekeurde werktuigen en accessoires is verkrijgbaar voor gebruik met de machine om de mogelijkheden daarvan te vergroten en uit te breiden. Neem contact op met een erkende servicedealer of een erkende Toro-distributeur, of bezoek www.Toro.com voor een lijst van alle goedgekeurde werktuigen en accessoires.

Om de beste prestaties te verkrijgen en ervoor te zorgen dat de veiligheidscertificaten van de machine blijven gelden, moet u ter vervanging altijd originele onderdelen en accessoires van Toro gebruiken. Vervangende onderdelen en accessoires van andere fabrikanten kunnen tot gevaar leiden.

Gebruiksaanwijzing

De trimmer aanzetten

1. Zorg ervoor dat er geen stof of vuil zit in de ventilatieopeningen in de trimmer.
2. Lijn de uitsparing in de accu uit met het uitsteeksel van de accuhouder (Figuur 7).
3. Duw het accupack in de accuhouder tot de accu op zijn plaats klikt (Figuur 7).



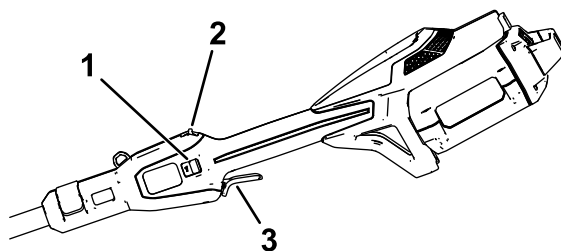
Figuur 7

g507688

1. Accuvergrendeling
-

4. Om de trimmer te starten, trekt u de vergrendelingsknop naar achteren en drukt u de snelheidsregelingtrekker in (Figuur 8).

Opmerking: Verschuif de snelheidsbereikschakelaar om de snelheid van de trimmer te veranderen.



Figuur 8

g507689

1. Snelheidsbereikschakelaar
 2. Vergrendelingsknop
 3. Snelheidsregelingtrekker
-

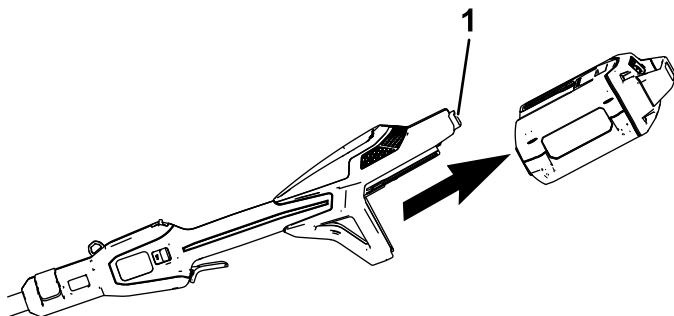
Uitzetten van de trimmer

Om de trimmer uit te zetten, laat u de trekker en de vergrendelingsknop los.

Wanneer u de trimmer niet gebruikt of vervoert van of naar het werkgebied, moet u het accupack verwijderen.

Verwijderen van de accu uit de trimmer

Druk op de accuvergrendeling van de machine om het accupack te ontgrendelen, schuif het accupack dan uit de machine ([Figuur 9](#)).



Figuur 9

g507691

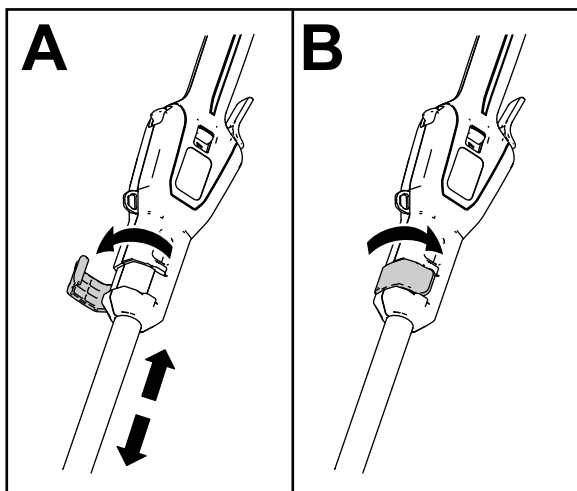
1. Accuvergrendeling
-

De stand van de hulphandgreep afstellen

1. Zet de vergrendelingsknop onderaan de hulphandgreep los.
2. Zet de hulphandgreep van de steel zo dat u de trimmer tijdens het werk in een neutrale, comfortabele houding kunt houden.
3. Zet de vergrendelingsknop vast om de hulphandgreep te borgen.

De lengte van de steel aanpassen

1. Zet de vergrendeling van de uitschuifeenheid vooraan de handgreep los.
2. Schuif de steel in of uit zodat u de trimmer tijdens het werk in een neutrale, comfortabele houding kunt gebruiken.
3. Zet de vergrendeling van de uitschuifeenheid vast om de steel te borgen.



Figuur 10

g507705

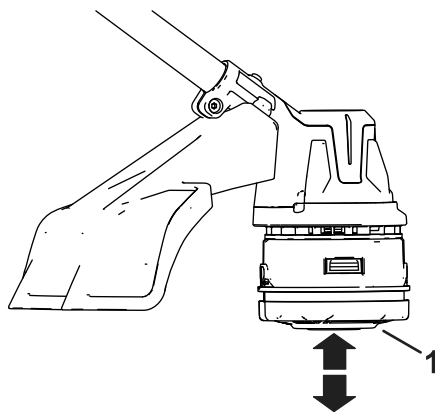
De maandraad voeden met de voedingsknop

1. Laat het gereedschap op volle snelheid draaien.
2. Tik de voedingsknop tegen de grond om de maandraad te voeden. Iedere keer dat de voedingsknop op de grond wordt gedrukt wordt de maandraad een stukje afgewikkeld.

Belangrijk: Hou de kop niet tegen de grond gedrukt als de trimmer draait.

Opmerking: Het draadsnijmes van de grasgeleider snijdt de maandraad af op de juiste lengte.

Opmerking: Als de maandraad te ver is afgesleten is het soms niet mogelijk de maandraad te voeden door de knop op de grond te drukken. Zet in dat geval zowel de trekker als de vergrendelingsknop los en raadpleeg [Maandraad handmatig voeden \(bladz. 22\)](#).



Figuur 11

g507693

1. Voedingsknop op de kop

Maandraad handmatig voeden

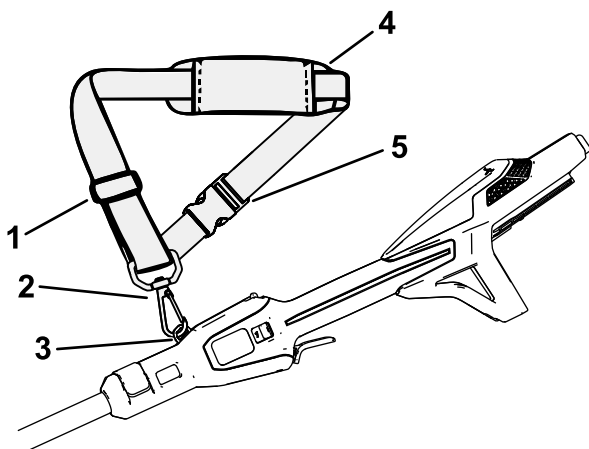
Verwijder de accu van de draadtrimmer en druk op de voedingsknop onderaan de spoelhouder en trek gelijktijdig aan de trimmerdraad om deze handmatig te voeden.

Het schouderharnas gebruiken

Belangrijk: Als u de draadtrimmer gebruikt met een accu van 8,0 Ah of groter, monteer dan een schouderharnas (niet meegeleverd).

Gebruik het harnas niet als de draadtrimmer wordt gevoed met een rugzak accuhouder en rugzakkabel; gebruik dan alleen het harnas van de rugzak accuhouder.

Sluit de clip van het schouderharnas aan op het bevestigings oogje bovenaan de handgreep (Figuur 12).



Figuur 12

g507529

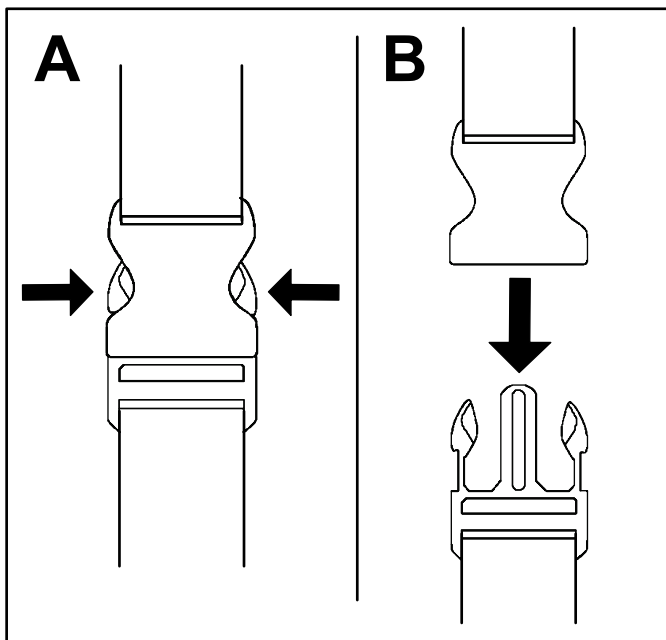
- | | |
|-----------------------|-------------------|
| 1. Riemversteller | 4. Schouderkussen |
| 2. Karabijnhaak | 5. Snelgesp |
| 3. Bevestigings oogje | |

U kunt de lengte van de riem aanpassen: schuif de riemversteller naar boven om de riem in te korten, of naar beneden om de riem langer te maken (Figuur 12).

Als u het harnas snel moet afnemen, koppel de snelgesp dan als volgt af:

1. Druk de zijkanten van de gesp in (A in Figuur 13).

2. Laat de gesp eruit schuiven (B in [Figuur 13](#)).

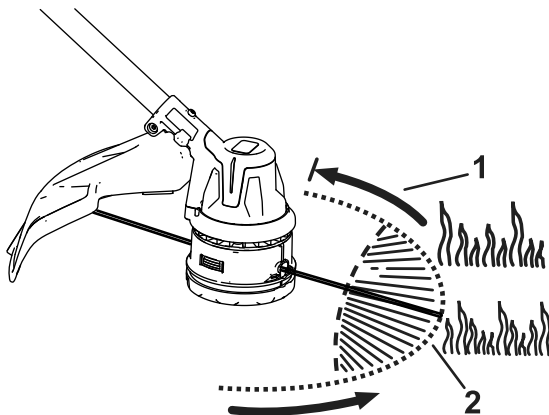


Figuur 13

g340477

Tips voor bediening en gebruik

- Hou de trimmer enigszins gekanteld naar het bewerkte oppervlak voor een optimale werking.
- De draadtrimmer maait als u deze van rechts naar links beweegt. Dit voorkomt dat de trimmer materiaal naar u toe werpt.
- Zorg dat het uiteinde van de maaidraad het werk doet, forceer de kop niet in ongemaaid gras.
- Draadhekken en afrasteringen zorgen voor extra slijtage of zelfs breuk van de maaidraad. Ook stenen, bakstenen muren, stoepranden en hout kunnen het slijtageproces van de maaidraad versnellen.
- Vermijd bomen en struiken. Boomschors, houten sierlijsten, gevelbeplating en afrasteringspalen kunnen makkelijk beschadigd worden door de maaidraad.



Figuur 14

1. Draairichting

2. Pad van de maaidraad

g507692

Onderhoud

Doe het volgende telkens als u het apparaat hebt gebruikt:

1. Verwijder de accu van de trimmer.
2. Veeg de trimmer met een vochtige doek schoon. Spuit de trimmer niet schoon, en dompel hem niet onder in water.

⚠ VOORZICHTIG

Het draadsnijmes van de grasgeleider is scherp en kan u verwonden.

Gebruik nooit uw handen om de grasgeleider en het mes schoon te maken.

3. Veeg of schraap de omgeving van de maaikop schoon telkens als u aangekoekt vuil ziet.
4. Controleer alle bevestigingen en draai deze vast. Als een onderdeel beschadigd of verloren is geraakt, dient u het te herstellen of te vervangen.
5. Verwijder vuil van de luchtinlaatopeningen op de accuhouder en de uitlaat van de motor om oververhitting te voorkomen.

De maaidraad vervangen

Gebruik enkel monofilament maaidraad met een diameter van 2,0 mm of gedraaide monofilament maaidraad met een diameter van 2,4 mm van Toro.

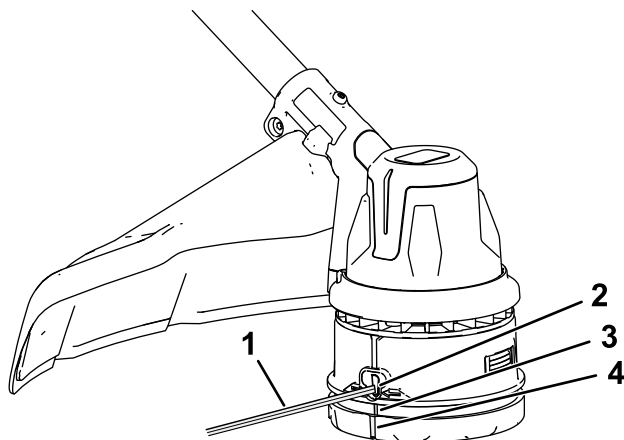
1. Verwijder de accu van de trimmer.
2. Verwijder eventueel aanwezig draad van de spoel door de voedingsknop herhaaldelijk in te drukken terwijl u aan beide zijden van de kop evenveel draad uittrekt.
3. Snij een stuk maaidraad van maximaal 7,3 m.

Belangrijk: Overbelast de spoel niet.

Belangrijk: Gebruik geen andere diktes of types maaidraad, dit kan de trimmer beschadigen.

4. Druk en draai de voedingsknop in de richting van de pijlen (rechtsom) onderaan de voedingsknop. De markeringen op de zijkant van de voedingsknop moeten overeenkomen met de markeringen onder de draadoogjes (Figuur 15).

5. Steek één uiteinde van de draad door het draadoog en druk de draad verder tot deze uit het draadoog aan de andere kant komt.



Figuur 15

g507694

- | | |
|--------------|---------------------------|
| 1. Maaidraad | 3. Merkteken - draadoog |
| 2. Draadoog | 4. Merkteken voedingsknop |

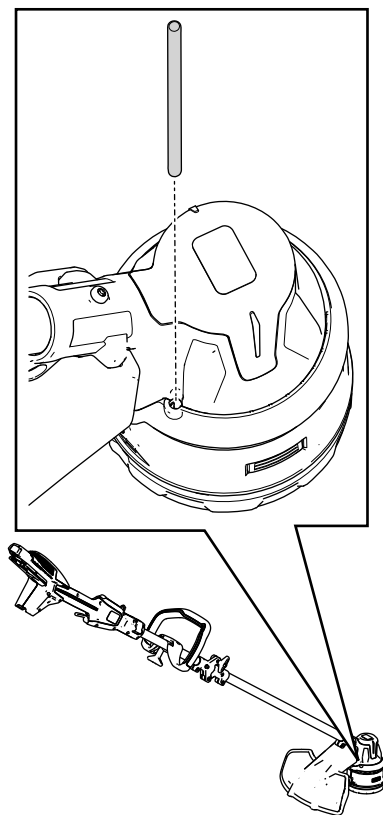
***Belangrijk:* Demonteer de kop van de trimmer nooit.**

6. Trek de draad door de draadogen tot er aan beide kanten van de snijkop een gelijke lengte draad is.
7. Hou de trimmer met één hand vast. Met de andere hand draait u de kop in de richting van de pijlen op de kop (rechts, met de klok mee) om de draad op te wikkelen. Laat aan iedere kant ongeveer 15 cm uitsteken voorbij de draadogen.

Vervangen van de trimmerkop

1. Verwijder de accu van de trimmer.
2. Steek een dun stuk gereedschap (bijv. een schroevendraaier) door de motorbehuizing en in de groef van de ventilator; zo zet u de snijkop vast zodat deze niet meer kan draaien (Figuur 16).

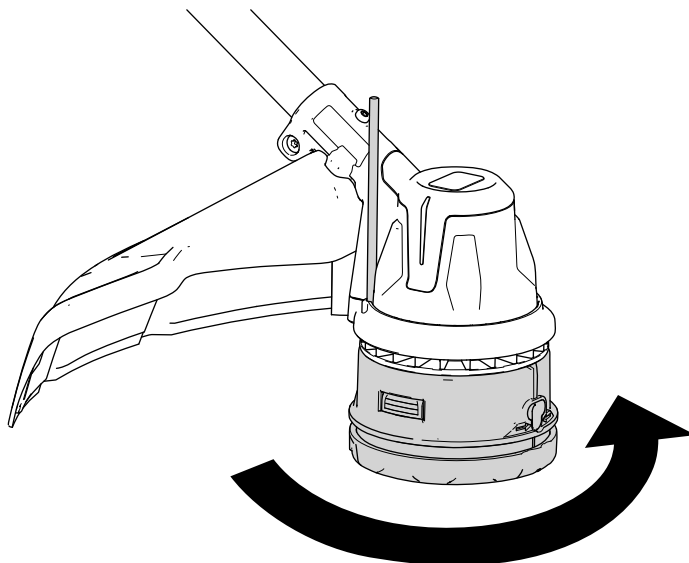
Opmerking: Met het gereedschap in de opening draait u de snijkop tot u voelt dat de stang in de groef belandt.



Figuur 16

g512077

3. Hou de snijkop tegen met een stuk gereedschap en draai de kop naar links (met de klok mee) om deze van de draadas van het tandwielhuis te nemen (Figuur 17).



Figuur 17

g516022

-
4. Monteer de nieuwe kop door deze naar rechts op de draadas van het tandwielhuis te draaien, terwijl u de ventilator tegenhoudt met een stuk gereedschap.

Stalling

Belangrijk: Berg de machine, het accupack en de lader alleen op binnen het aangegeven temperatuurbereik, zie [Specificaties \(bladz. 18\)](#).

Belangrijk: Als u de machine een jaar of langer opbergt, verwijder het accupack dan uit de machine en laad het accupack op tot er 1 of 2 ledindicatoren op de accu groen oplichten. Berg de accu niet geheel geladen of geheel ontladen op. Wanneer u de machine weer nodig hebt, laadt u het accupack op totdat het lampje links op de lader groen oplicht of de 4 led-lampjes op de accu groen oplichten.



- Na gebruik moet de machine van de voeding worden afgekoppeld (d.w.z. verwijder het accupack) en op beschadiging worden gecontroleerd.
- Verwijder al het vuil van de machine.
- Sla de machine of de lader niet op terwijl het accupack gemonteerd is.
- Wanneer de machine niet wordt gebruikt, moet u de machine, het accupack en de acculader opbergen buiten het bereik van kinderen.
- Hou de machine, het accupack en de acculader uit de buurt van corrosieve materialen zoals chemische middelen voor in de tuin en straatzout.
- Om het risico op ernstig lichamelijk letsel te verkleinen mag u de accu niet buiten of in een voertuig opbergen.
- Sla de machine, het accupack en de acculader op in een afgesloten schone, droge ruimte.
- U mag een voor opslag ingeklapte machine niet ophangen aan het elektriciteits snoer.

Het accupack klaarmaken voor recycling

Belangrijk: Neem het accupack van het gereedschap en bedek de contacten met stevig plakband. Probeer niet om het accupack te vernietigen of te demonteren, of onderdelen ervan te verwijderen.



Neem contact op met uw plaatselijke gemeente of uw erkende servicedealer of verdeler voor meer informatie over hoe u de accu op een verantwoorde manier kunt recyclen.

	Lithiumionaccupacks met het Call2Recycle-zegel kunnen worden gerecycled bij elke deelnemende retailer of accurecyclingfaciliteit aan het Call2Recycle-programma (alleen VS en Canada). Om een deelnemende retailer of faciliteit bij u in de buurt te vinden, belt u naar 1-800-822-8837 (VS en Canada) of surft u naar www.call2recycle.org .
	Lithiumionaccupacks met het hier afgebeelde High Energy Battery (HEB) zegel en alle 60 V Flex Force accu's van 6,0 Ah of meer kunnen worden gerecycled bij elke dealer of retailer die deelneemt aan het Call2Recycle HEB-programma. Ga naar www.hebattery.org voor een deelnemende dealer of retailer bij u in de buurt.

Als u geen deelnemende retailer of faciliteit in de buurt kunt vinden, of als u vragen hebt over voor welk recyclingprogramma uw accupack in aanmerking komt, gaat u naar de klantenondersteuningssite die vermeld wordt in de gebruikershandleiding van uw gereedschap/apparatuur voor meer informatie over hoe u het accupack op verantwoorde wijze kunt recyclen.

Als u zich buiten de VS en Canada bevindt, neem dan contact met uw erkende servicedealer of verdeler voor meer informatie over hoe u de accu op verantwoorde wijze kunt recyclen.

Problemen, oorzaak en remedie

Voer alleen de hieronder genoemde handelingen uit. Indien u het probleem zelf niet kunt oplossen moeten de verdere inspectie, onderhoud en reparaties moeten worden uitgevoerd door een geautoriseerd servicecentrum of een vergelijkbare specialist.

Verwijder de accu altijd uit het gereedschap wanneer u problemen oplost, het gereedschap reinigt, controleert of er onderhoudswerkzaamheden aan verricht.

Probleem	Mogelijke oorzaak	Remedie
Het gereedschap loopt niet of niet continu.	<ol style="list-style-type: none">1. De accu is niet volledig in het gereedschap geplaatst.2. De accu is niet geladen.3. De accu is boven of onder het geschikte temperatuurgebied.4. De draden van de accu zijn vochtig.5. De accu is defect.6. Het gereedschap heeft een elektrische storing.	<ol style="list-style-type: none">1. Verwijder de accu en plaats deze opnieuw, verzeker dat de accu goed op zijn plaats zit en vergrendeld is.2. Verwijder de accu en laad deze op.3. Verplaats het accupack naar een locatie waar het droog is en de temperatuur tussen 5 en 40 °C ligt.4. Laat de accu drogen of maak deze droog met een doek.5. Vervang de accu.6. Neem contact op met een erkende servicedealer.
Het gereedschap bereikt het volledige vermogen niet of het motorhuis wordt heet.	<ol style="list-style-type: none">1. De accu is niet voldoende geladen.2. De ventilatieopeningen zijn verstopt.	<ol style="list-style-type: none">1. Verwijder de accu en laad deze volledig op.2. Maak de ventilatieopeningen schoon.
Overmatige trilling of geluid van het gereedschap.	<ol style="list-style-type: none">1. Er is vervuiling in het grasscherm of de behuizing van de voedingsknop van de trimmer.2. De spoel is niet goed gewikkeld.	<ol style="list-style-type: none">1. Verwijder vervuiling onder het grasscherm of in de behuizing van de voedingsknop van de trimmer.2. Voed de draad met de voedingsknop onderaan de kop en/of neem de draad van de spoel en wikkel deze opnieuw op.

Probleem	Mogelijke oorzaak	Remedie
De voedingsknop voedt de draad niet.	<ol style="list-style-type: none"> 1. De draad is op. 2. De draad is verstrikt in de kop. 3. Er is vervuiling in het grasscherm of de behuizing van de voedingsknop van de trimmer. 	<ol style="list-style-type: none"> 1. Plaats draad in de kop. 2. Verwijder de afdekking van de voedingsknop en ontwar de draad. 3. Verwijder vervuiling onder het grasscherm of in de behuizing van de voedingsknop van de trimmer.
Het accupack verliest snel de lading.	<ol style="list-style-type: none"> 1. De accu is boven of onder het geschikte temperatuurgebied. 2. De trimmer wordt te zwaar belast. 	<ol style="list-style-type: none"> 1. Verplaats het accupack naar een locatie waar het droog is en de temperatuur tussen 5 en 40 °C ligt. 2. Trim met lagere snelheid.

Opmerkingen:

Opmerkingen:



Count on it.



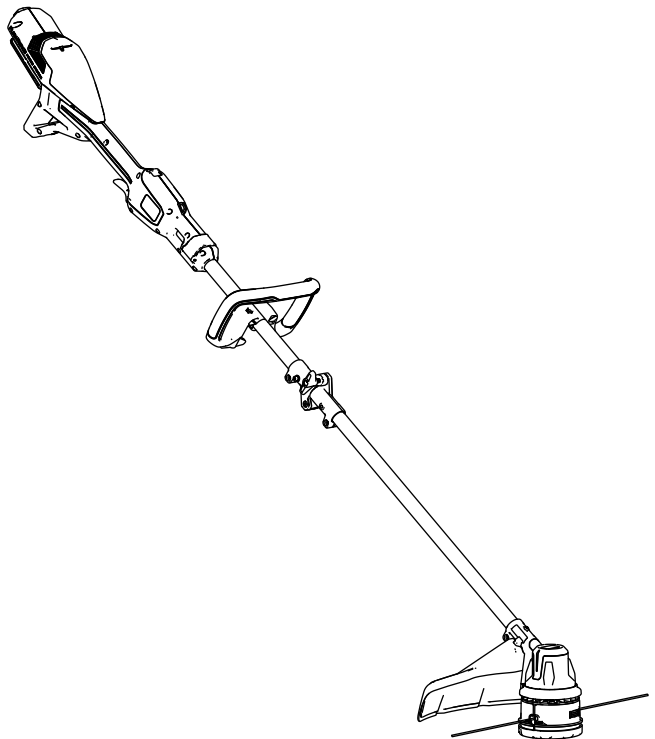
Count on it.

Form No. 3480-194 Rev A

Brakerhåndbok

Flex-Force Power System[®]-trådtrimmer, 35 cm 60 V

Modellnr. 51890T—Serienr. 326000000 og oppover



Registrer ditt produkt på
www.Toro.com.
Oversettelse av originalen (NO)



* 3 4 8 0 - 1 9 4 *



Hvis du trenger hjelp, kan du se www.Toro.com/support for instruksjonsressurser eller kontakte et autorisert forhandlerverksted før du returnerer dette produktet.

Dette produktet er i samsvar med alle relevante europeiske direktiver. Se eget samsvarserklærings skjema for produktet for detaljert informasjon.

Innledning

Denne trimmeren er beregnet på privat bruk for å trimme gress utendørs etter behov. Den er utformet for bruk med Flex-Force™ 60 V litiumionbatterier. Disse batteriene kan kun lades av Flex-Force 60 V litiumionbatteriladere. Hvis du bruker dette produktet til andre formål enn det er beregnet på, kan du utsette deg selv eller tilskuere for fare.

Viktig: Hvis du bruker denne maskinen med en batteripakke på 8,0 Ah eller større, må du montere hurtigutløsersele, modell 139-5334 (ikke inkludert), for riktig støtte og balanse.

Ikke bruk andre seler eller flere seler når du bruker maskinen.

Modell 51890T inkluderer ikke et batteri eller en lader.

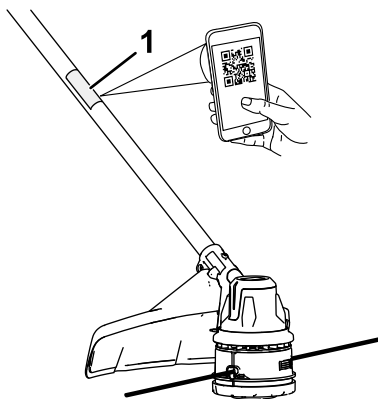
Les denne håndboken nøye, slik at du lærer å bruke og vedlikeholde produktet på riktig måte og unngår person- eller produktskade. Du har ansvar for å bruke produktet på en riktig og sikker måte.

Gå til www.Toro.com for informasjon om produktsikkerhet og opplæring i bruk, informasjon om tilbehør og hjelp til å finne en forhandler eller for å registrere produktet ditt.



Hvis maskinen må repareres eller du trenger originale Toro-deler eller mer informasjon, kan du kontakte et autorisert forhandlerverksted eller Toros kundeserviceavdeling. Ha modell- og serienummer for hånden når du tar kontakt. **Figur 1** identifiserer plasseringen av modell- og serienummer på produktet. Skriv inn numrene i de tomme feltene.

Viktig: Du kan skanne QR-koden på serienummermerket (hvis det finnes) med en mobil enhet for å få tilgang til garantien, deler og annen produktinformasjon.



Figur 1

g507019

1. Modellnummer, serienummer og QR-kodeplassering

Modellnr. _____
Serienr. _____

Sikkerhetsvarselssymbol

Dette sikkerhetsvarselssymbolet (Figur 2) som vises i denne håndboken og på maskinen, identifiserer viktige sikkerhetsmeldinger som du må følge for å unngå ulykker.



Figur 2

Sikkerhetsvarselssymbol

g000502

Sikkerhetsvarselssymbolet vises over informasjon som varsler deg om usikre handlinger eller situasjoner, og følges av ordet **FARE**, **ADVARSEL** eller **FORSIKTIG**.

FARE indikerer en overhengende faresituasjon som, hvis den ikke unngås, vil resultere i død eller alvorlig personskade.

ADVARSEL indikerer en potensielt farlig situasjon som, hvis den ikke unngås, kan resultere i død eller alvorlig personskade.

FORSIKTIG indikerer en potensielt farlig situasjon som, hvis den ikke unngås, kan føre til mindre eller moderat personskade.

Denne håndboken bruker to andre ord for å utheve informasjon. **Viktig** gjør oppmerksom på spesiell mekanisk informasjon og **Obs** henviser til generell informasjon som er verdt å huske.

Sikkerhet

▲ ADVARSEL

Les alle sikkerhetsadvarsler, instruksjoner, illustrasjoner og spesifikasjoner som følger med denne maskinen.

Manglende overholdelse av alle instruksjoner oppført nedenfor kan føre til elektrisk støt, brann og/eller alvorlig personskade.

Ta vare på alle advarsler og instruksjoner for fremtidig referanse.

Begrepet «maskin» i alle advarslene henviser til din nettdrevne (med ledning) maskin eller batteridrevne (trådløse) maskin.

I. Sikkerhet for arbeidsområdet

1. **Hold arbeidsområdet rent og godt belyst.** *Rotete eller mørke områder øker risikoen for ulykker.*
2. **Ikke bruk maskiner i eksplosive atmosfærer, for eksempel i nærheten av brennbare væsker, gasser eller støv.** *Maskinen skaper gnister, som kan antenne støv eller gasser.*
3. **Hold barn og tilskuere på avstand når maskinen brukes.** *Distraksjoner kan føre til at du mister kontrollen.*

II. Sikkerhet for elektrisk system

1. **Maskinstøpsler må samsvare med uttaket. Du må aldri modifisere pluggen på noen måte. Ikke bruk adapterplugger med jordede maskiner.** *Umodifiserte plugger og samsvarende uttak reduserer risikoen for elektrisk støt.*
2. **Unngå kroppskontakt med jordede overflater, for eksempel rør, radiatorer, stekeovner og kjøleskap.** *Det er en økt risiko for elektrisk støt hvis kroppen din er jordat.*
3. **Ikke utsett maskinen for regn eller våte forhold.** *Hvis vann trenger inn i maskinen, øker risikoen for elektrisk støt.*
4. **Ikke bruk kablen på feil måte. Bruk aldri ledningen til å bære, trekke eller koble fra maskinen. Hold ledningen unna varme, olje, skarpe kanter og bevegelige deler.** *Skadede eller vikledede ledninger øker risikoen for elektrisk støt.*
5. **Når du bruker et maskinen utendørs, må du bruke en skjøteledning som er egnet for utendørsbruk.** *En ledning som er egnet for utendørsbruk, reduserer risikoen for elektrisk støt.*
6. **Hvis du ikke kan unngå å bruke en maskin på et fuktig sted, må du bruke en tilførsel beskyttet med en startstrømsenhet (RCD).** *En RCD reduserer risikoen for elektrisk støt.*

III. Personlig sikkerhet

1. **Vær oppmerksom, følg med på hva du gjør og bruk sunn fornuft når du bruker maskinen. Ikke bruk en maskin når du er trett eller påvirket av rusmidler, alkohol eller medisiner.** *Et uoppmerksomt øyeblikk når du bruker en maskin, kan føre til alvorlige personskader.*
2. **Bruk personlig verneutstyr. Bruk alltid vernebriller.** *Verneutstyr, for eksempel støvmaske, sklisikre vernesko, vernehjelm eller hørselvern, som brukes i passende forhold, reduserer muligheten for personskader.*
3. **Unngå utilsiktet start. Påse at bryteren er i Av-stillingen før du kobler til en strømkilde og/eller batteripakken, plukker opp**

eller bærer verktøyet. Hvis du bærer maskinen med fingeren på bryteren, eller aktiverer maskiner som har bryteren på, risikerer du ulykker.

- 4. Fjern eventuelle justeringsnøkler eller skrunøkler før du slår på maskinen.** En skrunøkkel eller en nøkkel som fremdeles er festet til en roterende del av maskinen, kan føre til personskader.
- 5. Ikke strekk deg for langt. Hold riktig fotfeste og balanse til enhver tid.** Dette gjør at du har bedre kontroll over maskinen i uforutsette situasjoner.
- 6. Ha på egnet tøy. Ikke bruk løse plagg eller smykker. Hold håret og klærne unna bevegelige deler.** Løse klær, smykker eller langt hår kan sette seg fast i bevegelige deler.
- 7. Hvis det finnes enheter for tilkobling av støvutsugings- og oppsamlingsfasiliteter, påse at disse er tilkoblet og korrekt brukt.** Bruk av støvsamler kan redusere støvrelaterte farer.
- 8. Pass på at hyppig bruk av verktøyet ikke gjør at du blir uforsiktig og ignorerer prinsippene for trygg verktøybruk.** Én uforsiktig handling kan forårsake alvorlig personskade i løpet av brøkdelen av et sekund.

IV. Bruk og pleie av maskinen

- 1. Ikke bruk makt på maskinen. Bruk korrekt maskin for bruksområdet.** Korrekt maskin vil gjøre jobben bedre og sikrere ved hastigheten som den ble konstruert for.
- 2. Ikke bruk maskinen hvis bryteren ikke slår den på og av.** Alle maskiner som ikke kan styres med bryteren, er farlige og må repareres.
- 3. Koble pluggen fra strømkilden og/eller fjern batteripakken (hvis den kan tas ut) fra maskinen før du foretar justeringer på, bytter tilbehør på eller oppbevarer maskiner.** Slike forebyggende sikkerhetstiltak reduserer risikoen for å starte maskinen ved et uhell.
- 4. Oppbevar maskiner som ikke er i bruk, utilgjengelig for barn, og ikke la personer som ikke vet hvordan man bruker maskinen, eller som ikke har lest disse instruksjonene, bruke maskinen.** Maskiner er farlige når de brukes av uopplærte brukere.
- 5. Vedlikehold maskiner og tilbehør.** Kontroller om det er feiljustering eller opphenging av bevegelige deler, ødelagte deler eller andre forhold som kan påvirke driften av maskinen. Hvis maskinen er skadet, må den repareres før bruk. Mange ulykker skyldes dårlig vedlikeholdte maskiner.

6. **Hold klippeverktøy skarpe og rene.** Forsvarlig vedlikeholdte klippeverktøy med skarpe knivegger har mindre sannsynlighet for å henge seg opp og er enklere å kontrollere.
7. **Bruk maskinen, tilbehøret, verktøydelen osv. i samsvar med disse instruksjonene, og ta hensyn til arbeidsforholdene og arbeidet som skal utføres.** Bruk av maskinen for annet enn den er tiltenkt for, kan resultere i en farlig situasjon.
8. **Hold håndtak og gripeoverflater tørre, rene og frie for olje og fett.** Glatte håndtak og gripeoverflater gir utrygg håndtering og dårlig kontroll over verktøyet i uventede situasjoner.

V. Bruk og pleie av batteri

1. **Lad kun med laderen spesifisert av produsenten.** En lader som er egnet for én type batteripakke, kan medføre en risiko for brann hvis den brukes med en annen batteripakke.
2. **Bruk apparater kun med spesielt angitte batteripakker.** Bruk av andre batteripakker kan medføre en risiko for personskade og brann.
3. **Når batteripakken ikke er i bruk, hold den borte fra andre metallgjenstander, for eksempel binders, mynter, nøkler, spiker, skruer eller andre små metallgjenstander som kan danne en forbindelse fra én klemme til en annen.** Hvis batteriklemmene kortsluttes, kan det forårsake brannskader eller brann.
4. **Hvis batteriet utsettes for hardhendt bruk, kan væske sprute fra batteriet.** Unngå kontakt med væsken. Hvis kontakt skjer ved et uhell, skyl med vann. Hvis du får væske i øynene, må du også søke legehjelp. Væske som sprutes fra batteriet, kan forårsake irritasjon eller brannskader.
5. **Ikke bruk en batteripakke eller et verktøy som er skadet eller modifisert.** Skadede eller modifiserte batterier kan ha uventet adferd, som fører til brann, eksplosjon eller risiko for personskade.
6. **Ikke utsett en batteripakke eller et verktøy for brann eller overdrevne temperaturer.** Eksponering for brann eller temperaturer over 130 °C kan føre til eksplosjon.
7. **Følg alle instruksjoner for lading, og ikke lad eller oppbevar batteripakken eller verktøyet ved andre temperaturer enn de som er angitt i instruksjonene.** Feil lading eller temperaturer utenfor det angitte området kan skade batteriet og øke risikoen for brann.

VI. Service

1. **Få en kvalifisert person til å utføre service på maskinen med kun identiske erstatningsdeler.** *Dette sikrer at sikkerheten til maskinen opprettholdes.*
2. **Utfør aldri service på skadede batteripakker.** *Service av batteripakker skal kun utføres av produsenten eller autoriserte forhandlerverksted.*

VII. Sikkerhet for gresstrimmer

1. **Ikke bruk maskinen i dårlige værforhold, spesielt hvis det er fare for lyn.** *Dette reduserer risikoen for å bli truffet av lynet.*
2. **Kontroller at området du skal bruke maskinen på, ikke har dyreliv som kan bli skadet.** *Dyreliv kan bli skadet av maskinen under drift.*
3. **Foreta en grundig inspeksjon der maskinen skal brukes, og fjern alle steiner, pinner, wire, bein og andre gjenstander.** *Kastede gjenstander kan forårsake personskader.*
4. **Før du bruker maskinen, må du alltid foreta en visuell kontroll for å se at trimmeklipperen ikke er skadet.** *Skadde deler øker risikoen for skader.*
5. **Hold vernene på plass. Vern må være i god stand og korrekt montert.** *Et vern som er løst, skadet eller ikke fungerer som det skal, kan føre til personskader.*
6. **Hold alle kjøleluftinntak fri for rusk.** *Blokkerte luftinntak og rusk kan føre til overoppheting eller brannfare.*
7. **Bruk øye- og ørevern.** *Tilstrekkelig verneutstyr reduserer personskader.*
8. **Bruk alltid sklisikre vernesko når du bruker maskinen. Ikke bruk maskinen når du er barbeint eller bruker åpne sandaler.** *Dette reduserer muligheten for skade på føttene som skyldes kontakt med trimmeklipperen i bevegelse.*
9. **Ha alltid på klær, så som bukser, som dekker operatørens ben når du bruker maskinen.** *Kontakt med den trimmeklipperen eller tråden i bevegelse kan forårsake personskader.*
10. **Hold tilskuere på avstand når du bruker maskinen.** *Kastede gjenstander kan føre til alvorlige personskader.*
11. **Ikke bruk maskinen over midjen.** *Dette bidrar til å forhindre utilsiktet kontakt med klipperen og gjør det mulig for deg å få bedre kontroll over maskinen i uventede situasjoner.*

12. **Vær forsiktig når du bruker maskinen i vått gress. Gå, ikke løp.** *Dette reduserer risikoen for skli og fall, som igjen kan føre til personskader.*
13. **Ikke bruk maskinen i overdrevent bratte skråninger.** *Dette reduserer risikoen for tap av kontroll, skli og fall, som igjen kan føre til personskader.*
14. **Når du arbeider i skråninger, må du alltid sørge for at du har godt fotfeste, alltid arbeide på tvers av skråningen og ikke opp eller ned, og utvise ekstrem forsiktighet når du skifter retning.** *Dette reduserer risikoen for tap av kontroll, skli og fall, som igjen kan føre til personskader.*
15. **Hold alle strømledninger og kabler borte fra klippeområdet.** *Strømledninger eller kabler kan være skjult i hekker eller busker, og kan kuttes eller skades av tråden eller klipperen utilsiktet.*
16. **Hold alle kroppsdeler borte fra trimmeklipperen eller klippetråden i bevegelse. Ikke fjern rusk fra maskinen før den er koblet fra strømkilden.** *Trimmerklipperen eller -tråden i bevegelse kan føre til alvorlige personskader.*
17. **Maskinen skal være slått av og holdes unna kroppen når du bærer den.** *Riktig håndtering av maskinen reduserer sannsynligheten for utilsiktet kontakt med trimmeklipperen eller klippetråden i bevegelse.*
18. **Bruk kun nye klippehoder og trimmerklippere eller -tråder som er spesifisert av produsenten. Ikke skift ut trimmerklipperne eller -trådene med wirer eller kniver i metall.** *Feil reservedeler kan føre til tap av kontroll, brudd og personskader.*
19. **Når du fjerner fastkilt materiale eller vedlikeholder maskinen, må du sørge for at bryteren er av, og at batteripakken er fjernet.** *Uventet oppstart av maskinen under fjerning av fastkilt materiale eller under vedlikehold kan føre til alvorlige personskader.*

TA VARE PÅ DISSE INSTRUKSJONENE




Symboler på merke



Sikkerhetsmerker og -instruksjoner er lett synlige for operatøren og er plassert i nærheten av alle områder som representerer en potensiell fare. Bytt ut alle merker som er ødelagte eller mangler.

Følgende tabeller beskriver sikkerhets- og instruksjonssymbolene som vises på merkene.

Merkesymbol for gresstrimmer	Forklaring
	Fare for gjenstander som kastes
	Advarsel
	Batteriet må ikke brukes under våte forhold.
	Ikke bruk metallkniver.
15 m (50 ft) 	Hold tilskuere minst 15 m unna.
	Hold andre på avstand.
	Hold tilskuere på god avstand fra maskinen i alle retninger.
	Hold alle skydd og verneplater på plass.
	Les <i>brugerhåndboken</i> .
	Fjern batteriet før du utfører vedlikehold.

	Hold deg borte fra bevegelige deler.
	Bruk fleksibel tråd.
	Bruk øye- og ørevern.

Montering

Løse deler

Bruk diagrammet nedenfor som en sjekkliste for å kontrollere at alle delene er sendt.

Prosedyre	Beskrivelse	Ant.	Bruk
1	Koblingsknott	1	Folde ut skaftet.
2	Ekstrahåndtaksenhet	1	Montere ekstrahåndtaket.
3	Vern Skruer	1 2	Montere vernet.

1

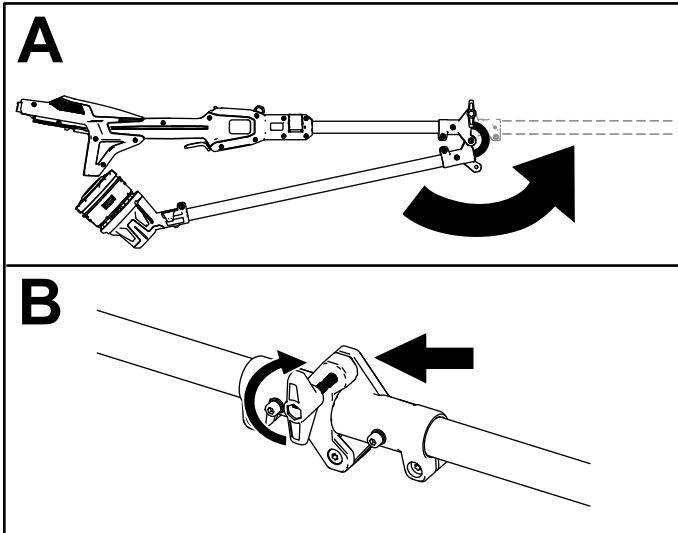
Folde ut skaftet

Deler som er nødvendige for dette trinnet:

1	Koblingsknott
---	---------------

Prosedyre

1. Fold ut skaftet (A i [Figur 3](#)).
2. Fest skaftet sammen ved koblingen ved hjelp av koblingsknotten (B i [Figur 3](#)).



Figur 3

g507675

2

Montere ekstrahåndtaket

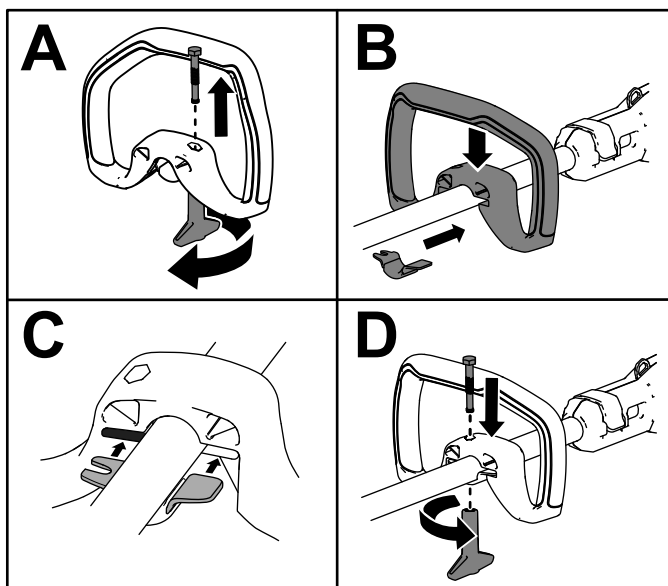
Deler som er nødvendige for dette trinnet:

1	Ekstrahåndtaksenhet
---	---------------------

Prosedyre

1. Skill ekstrahåndtaket fra håndtaksbraketten ved å skru av håndtaklås-knotten og fjerne bolten (A i [Figur 4](#)).

Viktig: Bolten kan sitte fast i plasten på håndtaket. Trykk lett på bunnen av bolten til den er løsner fra håndtaket.



Figur 4

g507673

2. Innrett håndtaksbraketten med ekstrahåndtaket (B i [Figur 4](#)).
3. Skyv håndtaksbraketten inn i sporet på ekstrahåndtaket (C i [Figur 4](#)).
4. Fest den nedre håndtaksbraketten til ekstrahåndtaket med håndtaklås-knotten og bolten (D i [Figur 4](#)) du fjernet tidligere.

3

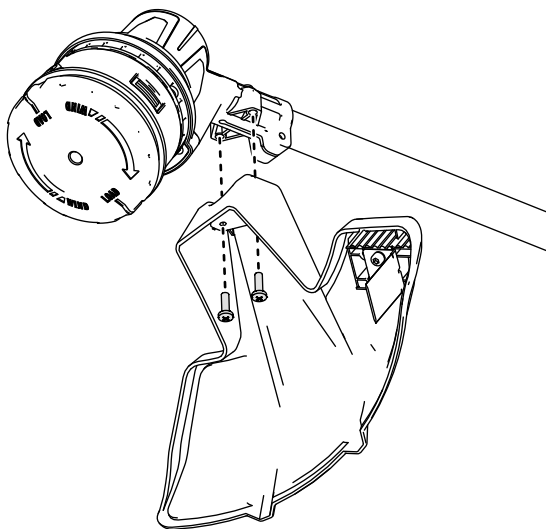
Montere vernet

Deler som er nødvendige for dette trinnet:

1	Vern
2	Skrue

Prosedyre

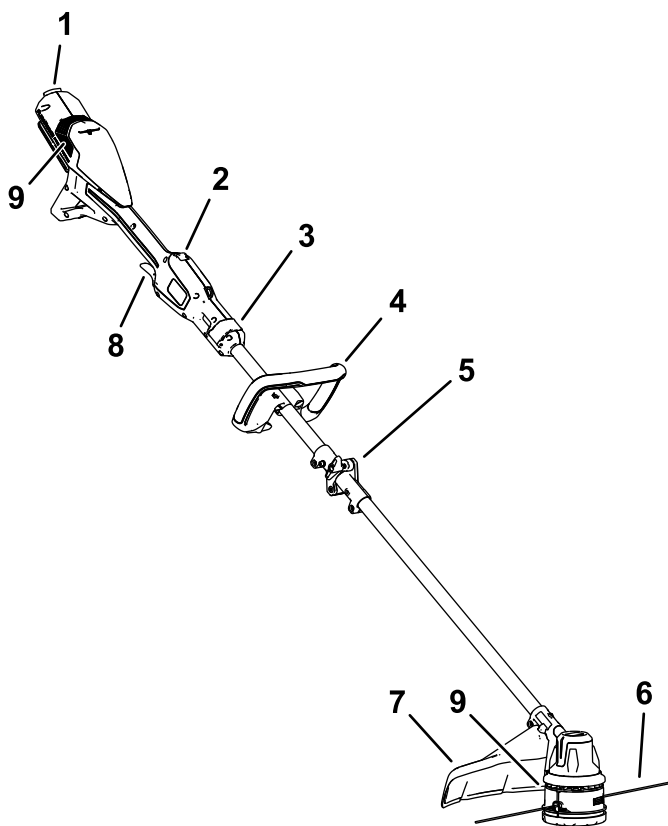
Fest vernet på basen av trimmeren med de to skruene.



Figur 5

g507687

Oversikt over produktet



Figur 6

- | | |
|------------------------------|--------------------|
| 1. Batterilås | 6. Klippetråd |
| 2. Sperrebryter | 7. Vern |
| 3. Teleskoplås | 8. Kjøreutløser |
| 4. Ekstrahåndtak | 9. Trimmerventiler |
| 5. Midveis kobling for skaft | |

g507020

Spesifikasjoner

Modell	51890T
Merkespenning	Maks. 60 V DC, 54 V DC nominell bruk
Ladertype	Flex-Force 60 V litiumioneladere
Batteritype	Flex-Force 60 V litiumionebatterier*

Hvis du bruker denne maskinen med en batteripakke på 8,0 Ah eller større, må du montere hurtigutlørselen, modell 139-5334 (ikke inkludert).

Passende temperaturområder

Lad/oppbevar batteripakken ved	5 °C til 40 °C*
Bruk batteripakken ved	-30 °C til 49 °C
Bruk trimmeren ved	0 °C til 49 °C
Oppbevar trimmeren ved	0 °C til 49 °C

*Ladetiden øker hvis du ikke lader batteriet innenfor dette området.

Oppbevar verktøyet, batteripakken og batterilader i et innelukket, rent, tørt område.

Tilleggsutstyr/tilbehør

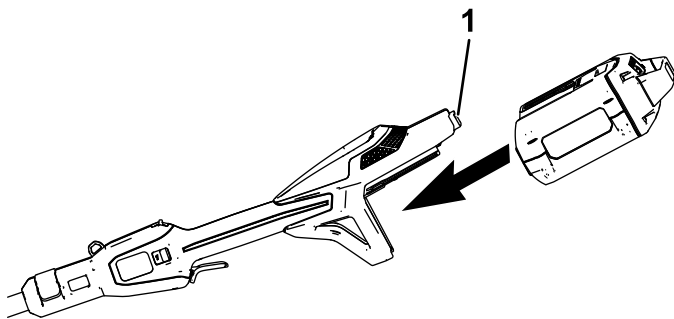
Et utvalg av Toro-godkjent tilbehør som kan brukes sammen med maskinen for å forbedre og utvide dens funksjoner, er tilgjengelig. Ta kontakt med din autoriserte serviceforhandler eller autoriserte Toro-forhandler, eller gå til www.Toro.com for å få en liste over godkjent tilbehør og utstyr.

For å oppnå optimal ytelse og holde maskinen i sikkerhetsgodkjent stand, må du bare bruke originale Toro-reservedeler og -tilbehør. Det kan være farlig å bruke reservedeler og tilleggsutstyr som er laget av andre produsenter.

Bruk

Starte trimmeren

1. Påse at ventilene på trimmeren er frie for støv og rusk.
2. Innrett kammeret i batteripakken med koblingsarmen på bladhodet (Figur 7).
3. Skyv batteripakken inn i bladhodet inntil batteriet låses fast i låsen (Figur 7).



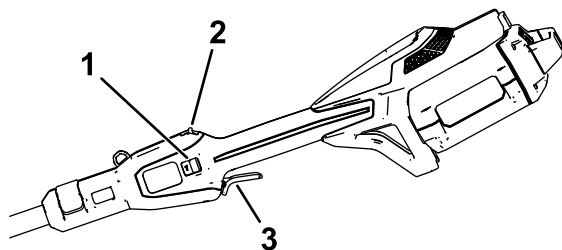
Figur 7

g507688

1. Batterilås
-

4. For å starte trimmeren trekker du i sperrebryteren og klemmer deretter på utløseren for variabel hastighet (Figur 8).

Merk: Skyv bryteren for hastighetsområdet for å endre hastigheten til trimmeren.



Figur 8

g507689

1. Bryter for hastighetsområde
 2. Sperrebryter
 3. Utløser for variabel hastighet
-

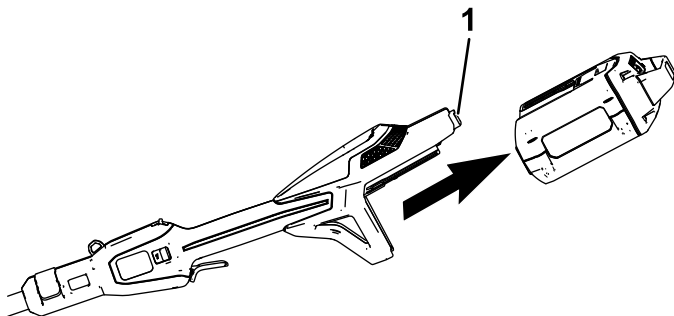
Slå av trimmeren

Hvis du vil slå av trimmeren, slipper du utløseren og sperrebryteren.

Fjern batteripakken når du ikke bruker trimmeren eller transporterer trimmeren til eller fra arbeidsområdet.

Fjerne batteripakken fra trimmeren

Trykk på batterilåsen på maskinen for å frigjøre batteripakken, og skyv batteripakken ut av maskinen ([Figur 9](#)).



Figur 9

g507691

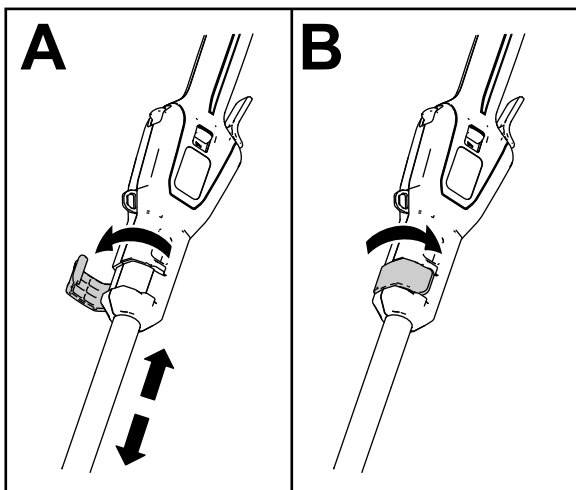
1. Batterilås
-

Justere stillingen for ekstrahåndtaket

1. Løsne håndtaklåsknotten nederst på ekstrahåndtaket.
2. Juster stillingen for ekstrahåndtaket på skaftet til du kan holde trimmeren i en nøytral og komfortabel stilling under drift.
3. Stram håndtaklåsknotten for å feste ekstrahåndtaket på plass.

Justere lengden på skaftet

1. Åpne teleskoplåsen foran på håndtaket.
2. Forleng eller forkort skaftet til du kan holde trimmeren i en nøytral og komfortabel stilling under drift.
3. Lukk teleskoplåsen for å feste skaftet.



Figur 10

g507705

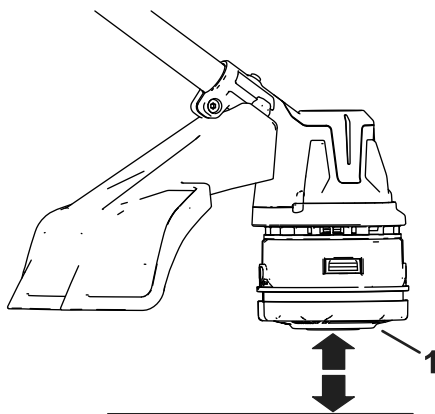
Mat frem tråden med trådmatning

1. Kjør verktøyet ved full gass.
2. Dunk matingshodet i bakken for å mate frem tråden. Tråden mates frem hver gang støthodet dunkes.

Viktig: Ikke hold støthodet på bakken mens du kjører trimmeren.

Merk: Skjærekniven for trådtrimming på gressavlederen kapper av tråden til riktig lengde.

Merk: Hvis tråden er slitt for kort, vil du kanskje ikke kunne mate frem tråden ved å dunke matingsknappen i bakken. Hvis dette er tilfellet, slipper du både utløseren og sperrebryteren, og du sjekker [Mate frem tråden manuelt \(side 21\)](#).



Figur 11

g507693

1. Støthode

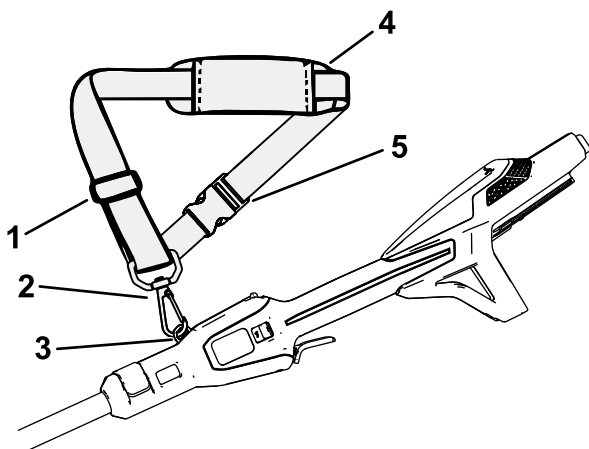
Mate frem tråden manuelt

Fjern batteripakken fra trimmeren, og trykk deretter på støthodet på basen av spoleholderen mens du trekker i trimmertråden for å mate frem tråden manuelt.

Bruke skulderselen

Viktig: Hvis du bruker gresstrimmeren med en batteripakke på 8,0 Ah eller mer, må du montere en skuldersele (ikke inkludert). Ikke bruk skulderselen hvis du skal drive gresstrimmeren med ryggsekken og ryggsekkfestet – bruk kun ryggsekksele.

Koble klemmen på skulderselen til festeøyet øverst på håndtaket (Figur 12).



Figur 12

g507529

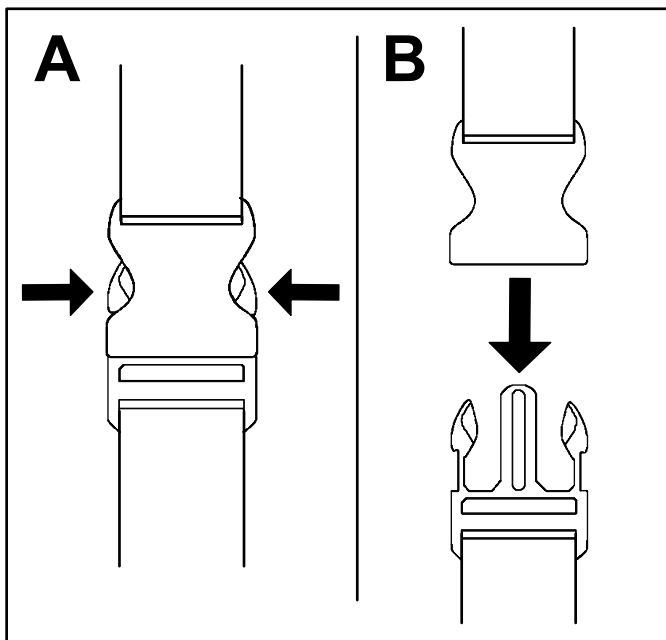
- | | |
|-------------------|---------------------------|
| 1. Stroppjusterer | 4. Skulderpute |
| 2. Svingklemme | 5. Hurtigutløsningsspenne |
| 3. Festeøye | |

Stroplengden kan justeres. Skyv stropjustereren opp for å redusere lengden på stroppen, eller ned for å øke lengden på stroppen (Figur 12).

Hvis det oppstår en nødssituasjon og du må fjerne selen raskt, kobler du fra hurtigutløserpennen på følgende måte:

1. Trykk inn på sidene av spennen (A av Figur 13).

2. La spennen koble fra (B av [Figur 13](#)).

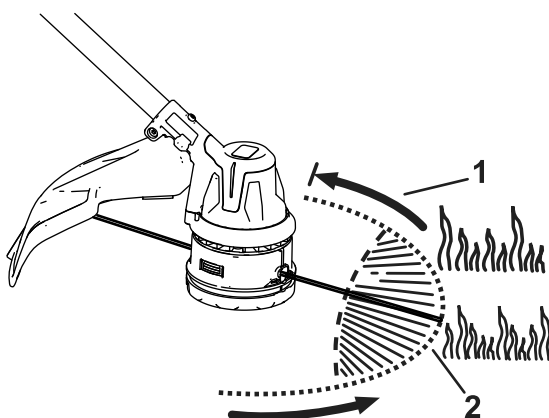


Figur 13

g340477

Brukstips

- Hold trimmeren vippet mot området som klippes. Dette er det beste klippeområdet.
- Gresstrimmeren klipper når den flyttes fra høyre til venstre. Dette forhindrer at trimmeren slynger rusk på deg.
- Bruk tuppen av klippetråden til å klippe. Ikke tving trimmerhodet inn i uklippet gress.
- Ståltråd- og stakittgjerder kan føre til at klippetråden slites raskere og til og med at den slites i stykker. Stein- og murvegger, fortauskanter og tre kan også føre til at klippetråden slites raskere.
- Unngå trær og busker. Klippetråden kan enkelt skade trebark, trelister, kledninger og gjerdestolper.



Figur 14

1. Rotasjonsretning

2. Bane for klippetråd

g507692

Vedlikehold

Etter hver bruk av trimmeren må du gjøre følgende:

1. Fjern batteripakken fra trimmeren.
2. Tørk trimmeren ren med en fuktig klut. Ikke spyl trimmeren eller dykk den i vann.

⚠ FORSIKTIG

Skjærekniven for tråden på avlederen er svært skarp.

Ikke bruk hendene til å rengjøre avledervernet og kniven.

3. Tørk eller skrap ren skjærehodeområdet når det er en oppsamling av rusk.
4. Kontroller og stram alle fester. Hvis en del er skadet eller mangler, må den repareres eller erstattes.
5. Børst bort rusk fra luftventilene på bladhodet og eksossystemet på motorhuset for å unngå at motoren overopphetes.

Skifte ut klippetråden

Bruk kun klippetråd med monofilament med diameter på 2,0 mm eller vridd klippetråd med monofilament med diameter på 2,4 mm fra Toro.

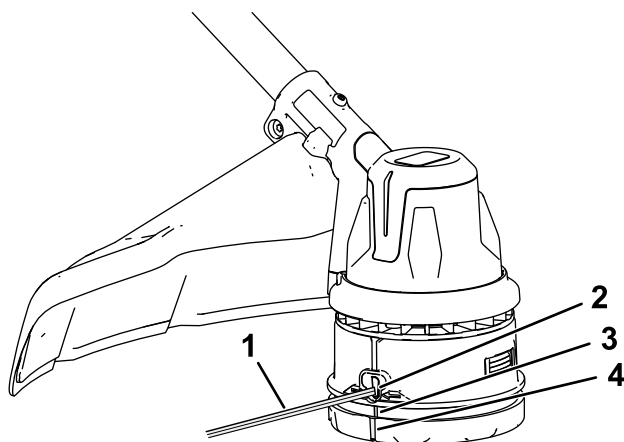
1. Fjern batteripakken fra trimmeren.
2. Fjern eventuell eksisterende tråd på spolen ved å trykke gjentatte ganger på støthodet mens du trekker tråden ut likt fra begge sider av støthodet.
3. Klipp en tråd som ikke er lenger enn 7,3 m.

Viktig: Ikke overbelast spolen.

Viktig: Ikke bruk andre mål eller andre typer tråd, da dette kan skade trimmeren.

4. Trykk og vri støthodet i retningen som vises etter pilene (med klokken) nederst på støthodet til merkene på siden av støthodet er innrettet med merkene under maljene (Figur 15).

5. Sett én ende av tråden rett inn i maljen, og skyv tråden gjennom til den kommer ut fra maljen på den andre siden.



g507694

Figur 15

- | | |
|---------------|---------------------------------|
| 1. Klippetråd | 3. Justeringsmerke for malje |
| 2. Malje | 4. Justeringsmerke for støthode |

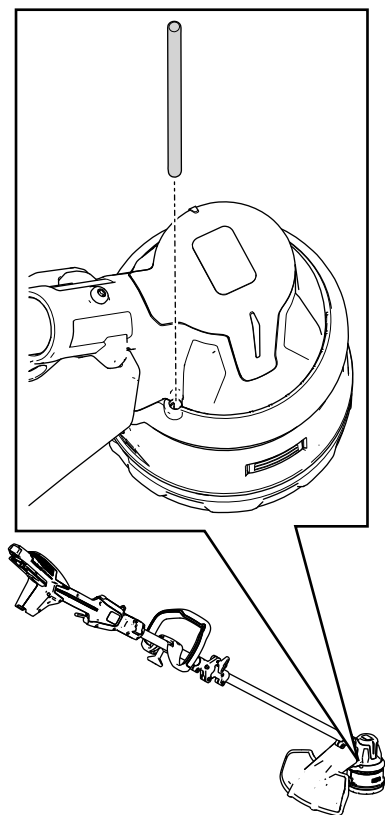
Viktig: Ikke demonter trimmerhodet.

6. Trekk tråden gjennom maljene til tråden er like lang på hver side av trimmerhodet.
7. Hold grestrimmeren på plass med én hånd. Med den andre hånden dreier du bunnen av trimmerhodet i retningen som vises av pilene (med klokken) nederst på støthodet for å rulle sammen tråden. La det være ca. 152 mm som strekker seg utover maljen på hver side.

Skifte ut trimmerhodet

1. Fjern batteripakken fra trimmeren.
2. Sett inn et verktøy med liten diameter (for eksempel en skrutrekker) gjennom motorhuset og inn i sporet i viften for å feste trimmerhodet, slik at det ikke roterer fritt (Figur 16).

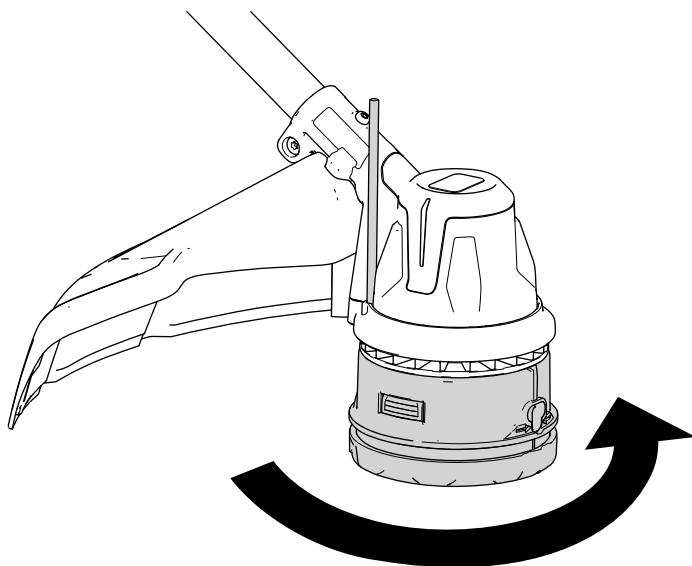
Merk: Med verktøyet satt inn i hullet roterer du trimmerhodet til du kjenner at stangen faller ned i sporet.



Figur 16

g512077

3. Når et verktøy fester trimmerhodet, roterer du trimmerhodet mot klokken for å fjerne det fra den gjengede girkassestangen (Figur 17).



Figur 17

g516022

-
4. For å montere det nye trimmerhodet roterer du det med klokken på girkassestangen mens du fester viften med et verktøy.

Lagring

Viktig: Oppbevar maskinen, batteripakken og laderen kun i temperaturer som er innenfor riktig område. Se [Spesifikasjoner \(side 17\)](#).

Viktig: Hvis du skal oppbevare maskinen i et år eller mer, fjerner du batteripakken fra verktøyet og lader batteripakken til én eller to LED-indikatorer blir grønne på batteriet. Ikke oppbevar et fulladet eller helt utladet batteri. Når du vil bruke maskinen igjen, lader du batteripakken til den venstre indikatorlampen på laderen blir grønn eller alle fire LED-indikatorene på batteriet blir grønne.

- Koble maskinen fra strømforsyningen (dvs. fjern batteripakken), og kontroller det for skade etter bruk.
- Fjern alle fremmedlegemer fra produktet.
- Ikke oppbevar maskinen eller laderen med batteripakken installert.
- Oppbevar maskinen, batteripakken og batteriladeren utilgjengelig for barn når de ikke er i bruk.
- Hold maskinen, batteripakken og batteriladeren borte fra korroderende midler som hagekjemikalier og avisingssalter.
- For å redusere risikoen for alvorlig personskade må du ikke oppbevare batteripakken utendørs eller i kjøretøy.
- Oppbevar maskinen, batteripakken og batteriladeren i et lukket rent og tørt område.
- Når maskinen er foldet sammen for oppbevaring, må du ikke henge den fra den elektriske ledningssatsen.

Klargjøre batteripakken for resirkulering

Viktig: Når du fjerner batteripakken, dekk polene på batteripakken med kraftig teip. Ikke forsøk å ødelegge eller demontere batteripakken eller fjerne noen av komponentene.



Ta kontakt med lokale myndigheter eller et autorisert forhandlerverksted eller forhandler hvis du vil ha mer informasjon om hvordan du kan resirkulere batteriet på en forsvarlig måte.

	Litiumionbatteripakker merket med Call2Recycle-merket kan resirkuleres hos enhver deltakende forhandler eller batteriresirkuleringsanlegg i Call2Recycle-programmet (kun USA og Canada). Hvis du vil finne en deltakende forhandler eller et anlegg nærmest deg, kan du ringe 1-800-822-8837 eller gå til www.call2recycle.org .
	Litiumionbatteripakker merket med High Energy Battery (HEB)-seglet som vist her, og alle 60 V Flex-Force-batterier 6,0 Ah eller høyere, kan resirkuleres hos enhver deltakende forhandler i Call2Recycle HEB-programmet. Gå til www.hebattery.org for å finne nærmeste deltakende forhandler.

Hvis du ikke finner en deltakende forhandler eller anlegg i nærheten, eller har spørsmål om hvilket resirkuleringsprogram batteripakken din kan kvalifisere for, kan du gå til kundestøttesiden som er oppført i brukerhåndboken for verktøyet/utstyret ditt, for mer informasjon om hvordan du resirkulerer batteripakken på en ansvarlig måte.

Hvis du befinner deg utenfor USA og Canada, kan du kontakte ditt autoriserte forhandlerverksted eller forhandler for mer informasjon om hvordan du resirkulerer batteripakken på en ansvarlig måte.

Feilsøking

Utfør kun trinnene beskrevet i disse instruksjonene. Alt ytterligere inspeksjons-, vedlikeholds- og reparasjonsarbeid må utføres av et autorisert serviceverksted eller en tilsvarende kvalifisert spesialist hvis du ikke kan løse problemet selv.

Ta alltid batteriet ut av verktøyet når du feilsøker, inspiserer, vedlikeholder eller rengjør verktøyet.

Problem	Mulig årsak	Løsning
Verktøyet kjører ikke eller kjører ikke uten avbrudd.	<ol style="list-style-type: none">1. Batteriet er ikke fullstendig montert i verktøyet.2. Batteripakken er ikke ladet.3. Batteripakken er over eller under det passende temperaturområdet.4. Det er fuktighet på ledningene til batteripakken.5. Batteripakken er skadet.6. Det er et annet elektrisk problem med verktøyet.	<ol style="list-style-type: none">1. Fjern og sett deretter batteriet inn i verktøyet igjen, og påse at det er fullstendig montert og låst.2. Fjern batteripakken fra verktøyet og lad det.3. Flytt batteripakken til et sted der det er tørt og temperaturen er mellom 5 °C og 40 °C.4. La batteripakken tørke eller tørk den tørr.5. Bytt ut batteripakken.6. Kontakt et autorisert forhandlerverksted.
Verktøyet når ikke full effekt, eller motorhuset blir varmt.	<ol style="list-style-type: none">1. Batteripakkens ladekapasitet er for lav.2. Luftventilene er blokkert.	<ol style="list-style-type: none">1. Fjern batteripakken fra verktøyet og lad batteripakken helt opp.2. Rengjør luftventilene.
Verktøyet produserer overdreven vibrasjon eller støy.	<ol style="list-style-type: none">1. Det er rusk under gresskyddet eller i støthodehuset på trimmeren.2. Spolen er ikke ordentlig viklet.	<ol style="list-style-type: none">1. Rengjør alt rusk fra under gresskyddet eller i støthodehuset.2. Mat frem tråden med støthodet og/eller fjern tråden på spolen og vikle den på spolen igjen.

Problem	Mulig årsak	Løsning
Støthodet mater ikke ut tråden.	<ol style="list-style-type: none"> 1. Trimmeren er tom for tråd. 2. Tråden er viklet inn i støthodehuset. 3. Det er rusk under gresskyddet eller i støthodehuset på trimmeren. 	<ol style="list-style-type: none"> 1. Legg til mer tråd i støthodet. 2. Fjern huset på støthodet, og fjern flokene i tråden. 3. Rengjør alt rusk fra under gresskyddet eller i støthodehuset.
Batteripakken lades raskt ut.	<ol style="list-style-type: none"> 1. Batteripakken er over eller under det passende temperaturområdet. 2. Trimmeren er overbelastet. 	<ol style="list-style-type: none"> 1. Flytt batteripakken til et sted der det er tørt og temperaturen er mellom 5 °C og 40 °C. 2. Trim i et langsommere tempo.

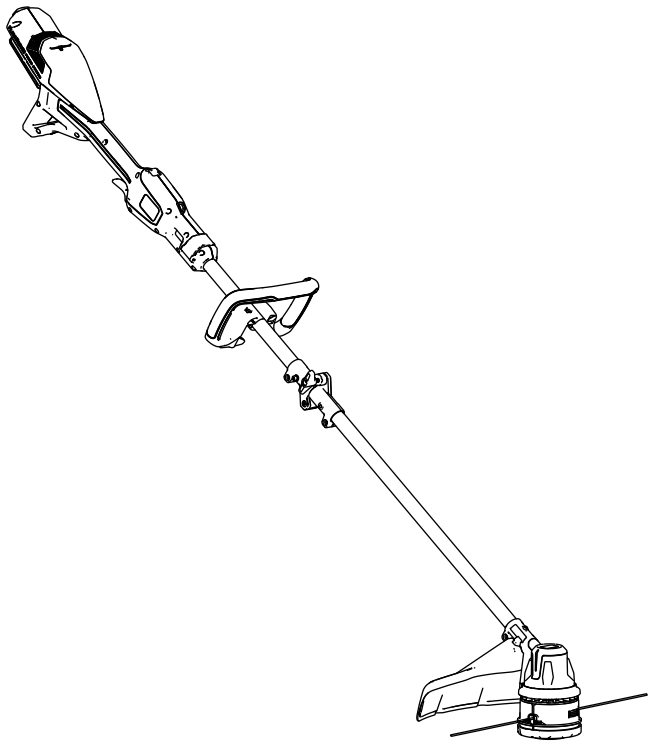
TORO

Count on it.

Podręcznik operatora

Kosa żyłkowa Flex-Force Power System® 35 cm 60 V

Model nr 51890T—Numer seryjny 326000000 i
wyższe



Zarejestruj produkt pod adresem
www.Toro.com.
Tłumaczenie oryginału (PL)

CE UK
EA





W razie potrzeby uzyskania pomocy, przed zwróceniem tego produktu zachęcamy do zapoznania się z materiałami instruktażowymi na stronie www.Toro.com/support lub prosimy o kontakt z autoryzowanym serwisem.

Ten produkt jest zgodny z odpowiednimi dyrektywami europejskimi. Szczegółowe informacje można znaleźć w osobnej deklaracji zgodności produktu (DOC) dotyczącej tego wyrobu.

Wprowadzenie

Podkaszarka jest przeznaczona dla użytkowników domowych do przycinania trawy na zewnątrz budynków. Maszyna jest zaprojektowana do eksploatacji z akumulatorami litowo-jonowymi Flex-Force™ 60 V. Akumulatory mogą być ładowane wyłącznie ładowarką Flex-Force 60 V do akumulatorów litowo-jonowych. Używanie produktu w celach niezgodnych z jego przeznaczeniem może okazać się niebezpieczne dla operatora i osób postronnych.

Ważne: Jeśli maszyna jest używana z akumulatorem o pojemności 8,0 Ah lub większym, należy zamontować pas naramienny z mechanizmem szybkiego rozpinania, model 139-5334 (dostępny osobno), aby zapewnić właściwe podparcie i równowagę.

Do obsługi maszyny nie wolno używać innych pasów naramiennych ani kilku pasów jednocześnie.

Do modelu 51890T nie jest dołączony akumulator ani ładowarka.

Przeczytaj uważnie poniższe informacje, aby poznać zasady właściwej obsługi i konserwacji urządzenia, nie uszkodzić go i uniknąć urazów. Odpowiedzialność za prawidłowe i bezpieczne użytkowanie produktu spoczywa na Tobie.

© 2026—The Toro®
Company
8111 Lyndale Avenue
South
Bloomington, MN
55420

Zarejestruj produkt
pod adresem
www.Toro.com.



Tłumaczenie oryginału
(PL)

Wydrukowano
w Chinach
Wszelkie prawa
zastrzeżone

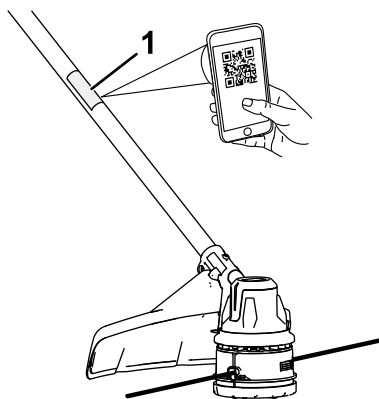


* 3 4 8 0 - 1 9 5 *

Odwiedź www.Toro.com w kwestiach dotyczących materiałów szkoleniowych z zakresu bezpieczeństwa oraz eksploatacji produktu, informacji na temat akcesoriów, pomocy w znalezieniu autoryzowanego sprzedawcy lub rejestracji urządzenia.

Aby skorzystać z serwisu, zakupić oryginalne części producenta lub uzyskać dodatkowe informacje, należy skontaktować się z autoryzowanym serwisem lub biurem obsługi klienta producenta. Prosimy o przygotowanie numeru modelu i numeru seryjnego produktu. **Rysunek 1** przedstawia położenie oznaczenia modelu oraz numeru seryjnego na urządzeniu. Zapisz je w przewidzianym na to miejscu.

Ważne: Urządzeniem mobilnym zeskanuj kod QR na tabliczce z numerem seryjnym (jeżeli występuje), aby uzyskać informacje o gwarancji, częściach zamiennych i innych kwestiach związanych z produktem.



Rysunek 1

g507019

1. Położenie numeru modelu, numeru seryjnego i kodu QR

Model nr _____
Numer seryjny _____

Symbol ostrzegawczy

Ten symbol ostrzegawczy (Rysunek 2) występuje zarówno w instrukcji, jak i na maszynie. Wskazuje on ważne informacje dotyczące zasad bezpieczeństwa, których należy przestrzegać, aby uniknąć wypadków.



Rysunek 2

Symbol ostrzegawczy

g000502

Symbol ostrzegawczy pojawia się nad informacjami ostrzegającymi o niebezpiecznych działaniach lub sytuacjach, przed słowem **NIEBEZPIECZEŃSTWO**, **OSTRZEŻENIE** lub **UWAGA**.

NIEBEZPIECZEŃSTWO: Wskazuje na sytuację bezpośredniego zagrożenia, która, jeżeli się jej nie zapobiegnie, **doprowadzi** do śmierci lub poważnych obrażeń ciała.

OSTRZEŻENIE: Wskazuje na sytuację potencjalnego zagrożenia, która, jeżeli się jej nie zapobiegnie, **może** doprowadzić do śmierci lub poważnych obrażeń ciała.

UWAGA: Wskazuje na sytuację potencjalnego zagrożenia, która, jeżeli się jej nie zapobiegnie, **może** doprowadzić do niewielkich lub średnich obrażeń ciała.

W niniejszej instrukcji występują także dwa inne słowa podkreślające wagę informacji. **Ważne** zwraca uwagę na szczególne informacje techniczne, a **Uwaga** podkreśla informacje ogólne, wymagające uwagi.

Bezpieczeństwo

▲ OSTRZEŻENIE

Należy zapoznać się ze wszystkimi ostrzeżeniami, instrukcjami, ilustracjami i danymi technicznymi dostarczonymi wraz z maszyną.

Niezastosowanie się do wszelkich poniższych instrukcji może doprowadzić do porażenia prądem, powstania pożaru i/lub poważnych obrażeń ciała.

Zachowaj wszelkie ostrzeżenia i instrukcje do użycia w przyszłości.

We wszystkich poniższych ostrzeżeniach określenie „maszyna” odnosi się do maszyn zasilanych z sieci elektrycznej (przewodowo) oraz maszyn zasilanych z akumulatora (bezprzewodowo).

I. Bezpieczeństwo w strefie wykonywania pracy

- 1. Utrzymuj porządek w strefie roboczej i zapewnij jej dobre oświetlenie.** *Nieporządek lub słabe oświetlenie w strefie pracy zwiększają ryzyko wypadków.*
- 2. Nie używaj maszyn w strefach zagrożonych wybuchem, na przykład w pobliżu łatwopalnych cieczy, gazów lub pyłów.** *Maszyny generują iskry, które mogą spowodować zapłon pyłu lub oparów.*
- 3. Dzieci i osoby postronne nie mogą zbliżać się do strefy pracy maszyny.** *Rozproszenie uwagi może spowodować utratę kontroli nad urządzeniem.*

II. Bezpieczna praca z narzędziami elektrycznymi

- 1. Wtyczki maszyny muszą być odpowiednie do gniazdka.** **Wtyczek nie wolno w żaden sposób modyfikować.** **Podczas pracy z maszynami wymagającymi gniazdka z uziemieniem nie wolno stosować adapterów.** *Niezmodyfikowane wtyczki i pasujące gniazda zmniejszają ryzyko porażenia prądem elektrycznym.*
- 2. Unikaj kontaktu ciała z uziemionymi powierzchniami, takimi jak rury, grzejniki, kuchenki i lodówki.** *W przypadku kontaktu ciała z uziemionym urządzeniem występuje podwyższone ryzyko porażenia prądem.*
- 3. Nie wystawiaj maszyny na działanie deszczu lub wilgoci.** *Dostająca się do wnętrza maszyny woda zwiększy ryzyko porażenia prądem elektrycznym.*
- 4. Z przewodem obchodź się we właściwy sposób.** **Nie ciągnij za przewód zasilający, aby przenieść maszynę lub odłączyć ją od gniazdka.** **Przewód trzymaj z dala od ciepła, oleju, ostrych krawędzi oraz ruchomych części.** *Uszkodzone lub zaplątane przewody zwiększają ryzyko porażenia prądem elektrycznym.*
- 5. Podczas używania maszyny na zewnątrz należy korzystać z przedłużacza odpowiedniego do użytku na zewnątrz pomieszczeń.** *Zastosowanie przewodu odpowiedniego do zastosowań zewnętrznych zmniejsza ryzyko porażenia prądem elektrycznym.*
- 6. W przypadku, gdy nie można uniknąć pracy maszyną w wilgotnym miejscu, należy korzystać ze źródła prądu**

z zabezpieczeniem różnicowo-prądowym (RCD). Użycie bezpiecznika typu RCD zmniejsza ryzyko porażenia prądem elektrycznym.

III. Bezpieczeństwo osobiste

1. **Podczas pracy z użyciem maszyny zachowaj czujność, zwracaj uwagę na to, co robisz i kieruj się zdrowym rozsądkiem. Nie używaj maszyny, gdy jesteś zmęczony lub pod wpływem środków odurzających, alkoholu lub leków.** *Chwila nieuwagi podczas użytkowania maszyny może doprowadzić do wypadku z poważnymi obrażeniami ciała.*
2. **Korzystaj ze sprzętu ochrony osobistej. Zawsze chroń wzrok.** *Sprzęt ochronny, taki jak maska przeciwpyłowa, bezpieczne obuwie z podeszwą przeciwpoślizgową, sztywny kask lub ochronniki słuchu używane w odpowiednich warunkach, ograniczają ryzyko obrażeń ciała.*
3. **Zapobiegaj przypadkowemu uruchomieniu. Przed podłączeniem narzędzia do źródła zasilania i/lub akumulatora oraz przed podniesieniem lub przenoszeniem go upewnij się, że wyłącznik jest w pozycji WYŁĄCZENIA.** *Przenoszenie maszyn z palcem na przełączniku zasilania lub podłączanie do zasilania maszyn, w których przełącznik jest w pozycji włączenia grozi wypadkiem.*
4. **Przed uruchomieniem maszyny usuń klucze i inne narzędzia używane do jej regulacji.** *Klucz lub narzędzie umieszczone w obracającej się części maszyny może spowodować obrażenia ciała.*
5. **Nie sięgaj zbyt daleko narzędziem. Zawsze utrzymuj stabilną postawę i równowagę.** *W ten sposób masz lepszą kontrolę nad maszyną w niespodziewanych sytuacjach.*
6. **Noś odpowiednią odzież. Nie używaj luźnej odzieży ani biżuterii.** **Włosy i odzież operatora muszą znajdować się w bezpiecznej odległości od części ruchomych.** *Luźna odzież, biżuteria lub długie włosy mogą zostać pochwycone przez ruchome części.*
7. **Jeżeli urządzenia są wyposażone w złącza do odciągu lub zbierania pyłu, dopilnuj ich prawidłowego podłączenia i używania we właściwy sposób.** *Skorzystanie z możliwości zbierania pyłu pozwala ograniczyć stwarzane przez pył zagrożenia.*
8. **Nie dopuszczaj do sytuacji, w których rutyna wynikająca z częstego używania narzędzi skłania do zbytnej pewności siebie i lekceważenia zasad bezpieczeństwa pracy z elektronarzędziami.** *Nieuważne działanie może w ciągu ułamka sekundy spowodować poważne obrażenia.*

IV. Eksploatacja i konserwacja maszyny

1. **Nie używaj maszyny „na siłę”, niezgodnie z jej przeznaczeniem. Używaj maszyny odpowiedniej do danego zadania. Odpowiednia maszyna wykona zadanie lepiej i bezpieczniej oraz w tempie, do jakiego została zaprojektowana.**
2. **Nie używaj maszyny z niedziałającym lub nieprawidłowo działającym wyłącznikiem. Maszyna, której nie można kontrolować wyłącznikiem, jest niebezpieczna i wymaga naprawy.**
3. **Przed przystąpieniem do jakichkolwiek regulacji, wymiany akcesoriów lub przechowywania odłącz wtyczkę od źródła zasilania lub odłącz/wymontuj akumulator, jeżeli konstrukcja maszyny na to pozwala. Takie środki ostrożności ograniczają ryzyko przypadkowego uruchomienia maszyny.**
4. **Przechowuj nieużywaną maszynę poza zasięgiem dzieci i nie pozwalaj na używanie maszyny osobom z nią nieobeznanym lub które nie zapoznały się z instrukcją obsługi. Maszyny w rękach nieprzeszkolonych użytkowników stanowią zagrożenie.**
5. **Konserwacja maszyn i osprzętu Sprawdź, czy ruchome elementy są właściwie ustawione i czy nie blokują się nawzajem. Zwróć uwagę na uszkodzone elementy lub inny ich stan mogący mieć wpływ na działanie maszyny. Uszkodzoną maszynę należy naprawić przed użyciem. Przyczyną wielu wypadków jest niewłaściwy stan techniczny maszyn.**
6. **Pilnuj, aby narzędzia do cięcia były ostre i czyste. Właściwie konserwowane narzędzia o naostrzonych krawędziach tnących rzadziej się blokują i są łatwiejsze do kontrolowania.**
7. **Używaj maszyny, akcesoriów i elementów tnących itp. zgodnie z niniejszą instrukcją, uwzględniając warunki robocze oraz planowaną pracę. Używanie maszyny niezgodnie z jej przeznaczeniem może doprowadzić do niebezpiecznych sytuacji.**
8. **Uchwyty i inne powierzchnie chwytania utrzymuj w stanie suchym, czystym i wolnym od oleju i smarów. Śliskie uchwyty i powierzchnie do chwytania utrudniają bezpieczną obsługę i sterowanie narzędziem w nieoczekiwanych sytuacjach.**

V. Używanie i konserwacja narzędzi akumulatorowych

1. **Do ładowania należy używać wyłącznie ładowarki wskazanej przez producenta. Używanie ładowarki przeznaczonej do akumulatorów konkretnego typu do ładowania innych akumulatorów grozi pożarem.**

2. **Maszyn należy używać wyłącznie z przeznaczonymi do nich akumulatorami.** *Używanie innych akumulatorów może spowodować ryzyko zranienia i pożaru.*
3. **Gdy akumulator nie jest używany, trzymaj go z dala od metalowych przedmiotów, takich jak spinacze do papieru, monety, klucze, gwoździe, wkręty lub inne metalowe przedmioty mogące spowodować zwarcie między biegunami.** *Zwarcie biegunów akumulatora może spowodować poparzenia lub pożar.*
4. **Przy nieprawidłowym użytkowaniu akumulatora może się z niego wydostać ciecz. Należy unikać kontaktu z tą cieczą. W razie kontaktu narażone miejsca należy spłukać wodą. W razie kontaktu z oczami należy uzyskać pomoc medyczną.** *Ciecz wydostająca się z akumulatora może powodować podrażnienie lub poparzenie.*
5. **Nie należy używać uszkodzonego lub zmodyfikowanego akumulatora ani narzędzia.** *Uszkodzone lub zmodyfikowane akumulatory mogą działać się w sposób nieprzewidziany i spowodować pożar, wybuch lub ryzyko obrażeń.*
6. **Nie narażać akumulatora lub narzędzia na działanie ognia lub nadmiernej temperatury.** *Narażenie na działanie ognia lub temperatury powyżej 130°C może spowodować wybuch.*
7. **Postępuj zgodnie z wszystkimi instrukcjami ładowania i unikaj ładowania akumulatora lub narzędzia, gdy temperatura przekracza zakres podany w instrukcjach.** *Nieprawidłowe ładowanie lub ładowanie w temperaturach poza określonym zakresem może uszkodzić akumulator i zwiększyć ryzyko pożaru.*

VI. Serwisowanie

1. **Serwisowanie maszyny zlecaj wykwalifikowanemu serwisantowi, który korzysta wyłącznie z części zamiennych identycznych z oryginalnymi.** *W ten sposób zagwarantujesz utrzymanie bezpieczeństwa maszyny.*
2. **Nigdy nie serwisuj uszkodzonych akumulatorów.** *Serwis akumulatorów powinien być prowadzony wyłącznie przez producenta lub autoryzowane punkty serwisowe.*

VII. Bezpieczeństwo użytkowania podkaszarki żyłkowej

1. **Maszyny nie należy używać w złych warunkach pogodowych, zwłaszcza gdy istnieje ryzyko uderzenia pioruna.** *Zmniejszy to ryzyko uderzenia pioruna w operatora.*

2. **Dokładnie sprawdź obszar pod kątem występowania dzikich zwierząt, na którym maszyna będzie używana.** *Pracująca maszyna może wyrzucić szkody w faunie i florze.*
3. **Dokładnie sprawdź obszar, na którym będziesz używać maszyny, i usuń wszystkie kamienie, patyki, przewody, kości i inne przedmioty.** *Wyrzucone przedmioty mogą spowodować obrażenia ciała.*
4. **Przed użyciem maszyny sprawdź wzrokowo, czy podkaszarka żyłkowa nie jest uszkodzona.** *Uszkodzone części zwiększają ryzyko obrażeń ciała.*
5. **Dopilnuj, aby osłony znajdowały się na swoim miejscu. Osłony muszą być sprawne i prawidłowo zamontowane.** *Luźna, uszkodzona lub nieprawidłowo działająca osłona grozi obrażeniami ciała.*
6. **Utrzymuj drożność wlotów powietrza chłodzącego.** *Zablokowane wloty powietrza i obecność zanieczyszczeń grozi przegrzaniem lub pożarem.*
7. **Należy stosować ochronniki oczu i uszu.** *Właściwy sprzęt ochronny zmniejsza ryzyko urazów.*
8. **Podczas obsługi maszyny należy nosić pełne obuwie z antypoślizgową podeszwą. Nie obsługuj maszyny bez obuwia ani w sandałach z odkrytymi palcami.** *W ten sposób zmniejszysz ryzyko urazów stopy w przypadku kontaktu z wirującym elementem tnącym.*
9. **Operator obsługujący maszynę powinien mieć na sobie spodnie z długimi nogawkami.** *Kontakt z wirującym elementem tnącym grozi obrażeniami ciała.*
10. **Osoby postronne nie powinny zbliżać się do strefy pracy maszyny.** *Materiał wyrzucany przez maszynę może spowodować poważne obrażenia ciała.*
11. **Nie używaj maszyny na wysokości powyżej pasa.** *Pozwoli to zapobiec niezamierzonemu kontaktowi z elementem tnącym i lepiej zapanować nad maszyną w niespodziewanych sytuacjach.*
12. **Zachowaj szczególną ostrożność przy przycinaniu mokrej trawy.** *Podczas pracy z urządzeniem chodź, nie biegnij.* *W ten sposób ograniczysz ryzyko poślizgnięcia się i upadku, które grozi obrażeniami ciała.*
13. **Nie używaj maszyny na bardzo stromych zboczach.** *W ten sposób ograniczysz ryzyko utraty kontroli, poślizgnięcia się i upadku, które grozi obrażeniami ciała.*

14. **Pracując na pochyłym terenie, zawsze stawiaj stopy w poprzek pochyłości i zachowaj szczególną ostrożność przy zmianie kierunku.** *W ten sposób ograniczysz ryzyko utraty kontroli, poślizgnięcia się i upadku, które grozi obrażeniami ciała.*
15. **Wszystkie przewody zasilające należy trzymać z dala od obszaru cięcia.** *W żywoptłotach lub krzakach mogą być ukryte przewody zasilające lub pod napięciem. Przewody te mogą zostać przypadkowo przecięte lub uszkodzone przez element tnący.*
16. **Nie zbliżaj żadnych części ciała do elementu tnącego ani wirującej żyłki.** **Przed przystąpieniem do oczyszczania maszyny z nagromadzonych resztek pokosu odłącz ją od źródła zasilania.** *Niespodziewane uruchomienie podkaszarki grozi poważnymi obrażeniami ciała.*
17. **Przenoś maszynę wyłączoną i z dala od ciała.** *Właściwe obchodzenie się z maszyną zmniejszy ryzyko przypadkowego kontaktu z elementem tnącym lub wirującą żyłką.*
18. **Używaj wyłącznie głowic, elementów i żyłek tnących wskazanych przez producenta maszyny.** **Nie zastępuj elementów tnących ani żyłki elementami metalowymi ani drutem.** *Stosowanie niewłaściwych części zamiennych grozi utratą kontroli, uszkodzeniem maszyny i obrażeniami ciała.*
19. **Podczas usuwania zakleszczonego materiału i serwisowania maszyny przełącznik musi być w położeniu wyłączonym, a akumulator powinien być wymontowany.** *Niespodziewane uruchomienie maszyny podczas usuwania zablokowanego materiału lub serwisowania może spowodować poważne obrażenia ciała.*








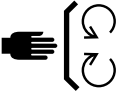

NALEŻY ZACHOWAĆ TĘ INSTRUKCJĘ





Symbole na etykiecie



Etykiety dotyczące bezpieczeństwa oraz instrukcje są wyraźnie widoczne dla operatora i znajdują się w pobliżu wszystkich miejsc potencjalnego zagrożenia. Uszkodzone i brakujące etykiety należy wymienić.

W poniższej tabeli objaśniono znaczenie symboli dotyczących bezpieczeństwa oraz obsługi urządzenia znajdujące się na etykietach.

Symbol na etykiecie umieszczonej na podkaszarce żyłkowej	Objaśnienie
	Niebezpieczeństwo wyrzucania przedmiotów.
	Ostrzeżenie
	Nie używaj w mokrych warunkach.
	Nie używaj metalowych ostrzy.
<p>15 m (50 ft)</p> 	Osoby postronne powinny znajdować się w odległości przynajmniej 15 m od maszyny.
	Nie dopuszczaj osób postronnych w pobliże maszyny.
	Nie dopuszczaj osób postronnych w pobliże maszyny od żadnej strony.
	Wszystkie zabezpieczenia i osłony muszą znajdować się na swoim miejscu.
	Przeczytaj <i>Instrukcję obsługi</i> .

	Wymontuj akumulator przed przystąpieniem do czynności konserwacyjnych.
	Trzymaj się z dala od części ruchomych.
	Używaj elastycznej żyłki.
	Należy stosować ochronniki oczu i uszu.

Montaż

Elementy luzem

Za pomocą poniższego zestawienia sprawdź, czy zostały dostarczone wszystkie elementy.

Procedura	Opis	Ilość	Sposób użycia
1	Pokrętło mocujące	1	Rozłóż wysięgnik.
2	Uchwyt pomocniczymontaż	1	Zamontuj uchwyt pomocniczy.
3	Ośłona Śruba	1 2	Zamontuj osłonę.

1

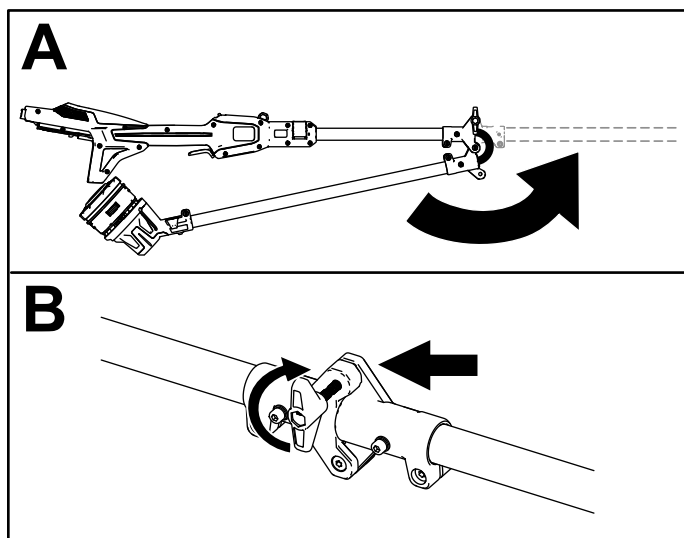
Rozkładanie wysięgnika

Części potrzebne do tej procedury:

1	Pokrętło mocujące
---	-------------------

Procedura

1. Rozłóż wysięgnik (A na [Rysunek 3](#)).
2. Skręć elementy wysięgnika na przegubie za pomocą pokrętła mocującego (B na [Rysunek 3](#)).



Rysunek 3

g507675

2

Montaż uchwyty pomocniczego

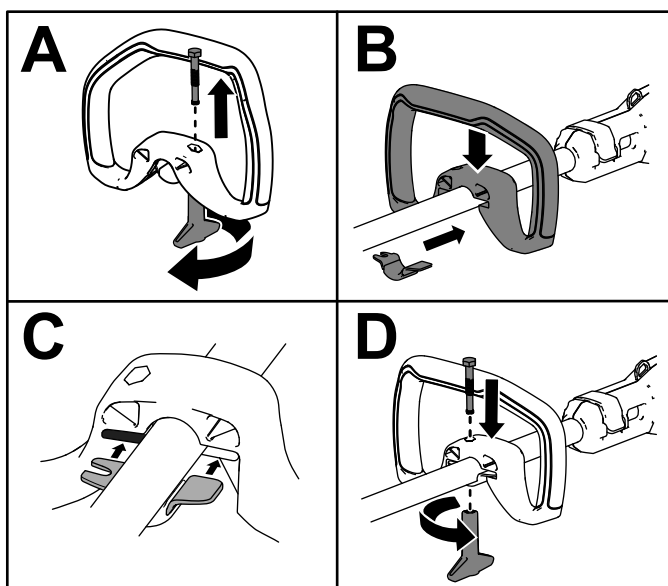
Części potrzebne do tej procedury:

1	Uchwyt pomocniczymontaż
---	-------------------------

Procedura

1. Odłącz uchwyt pomocniczy od wspornika uchwyty, odkręcając pokrętkę ręcznie i wyciągając trzpień (A na [Rysunek 4](#)).

Ważne: Trzpień mógł zaklinować się w plastikowym uchwycie; delikatnie podważ go od spodu.



Rysunek 4

g507673

2. Wyrównaj wspornik uchwyty z uchwytem pomocniczym (B na [Rysunek 4](#)).
3. Wsuń wspornik uchwyty do szczeliny na uchwycie pomocniczym (C na [Rysunek 4](#)).

4. Zamocuj wspornik dolnego uchwyty do uchwyty pomocniczego za pomocą pokręta i wymontowanej wcześniej śruby (D na [Rysunek 4](#)).

3

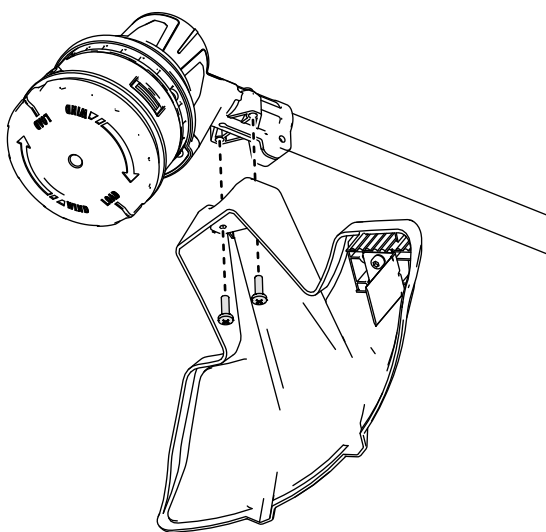
Montaż osłony

Części potrzebne do tej procedury:

1	Osłona
2	Śruba

Procedura

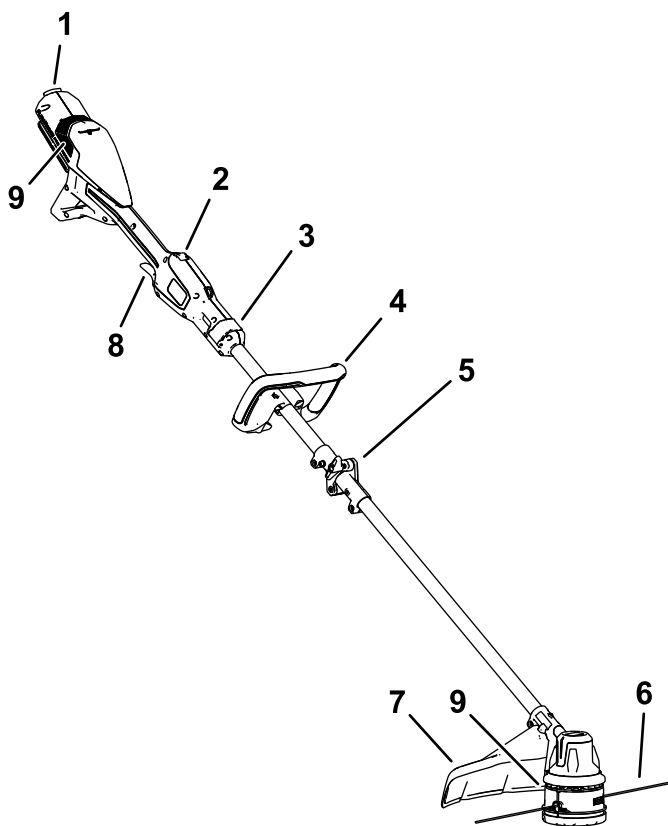
Zamocuj osłonę do podstawy podkaszarki, używając 2 śrub z łbem krzyżowym.



Rysunek 5

g507687

Przegląd produktu



Rysunek 6

- | | |
|--------------------------|------------------------------------|
| 1. Zatrzask akumulatora | 6. Żyłka tnąca |
| 2. Przełącznik blokujący | 7. Osłona |
| 3. Zatrzask teleskopowy | 8. Przycisk uruchamiający |
| 4. Uchwyt pomocniczy | 9. Otwory wentylacyjne podkaszarki |
| 5. Przegub | |

g507020

Specyfikacje

Model	51890T
Napięcie znamionowe	Maksymalnie 60 V, nominalnie 54 V prądu stałego
Rodzaj ładowarki	Ładowarki do akumulatorów litowo-jonowych Flex-Force 60 V
Rodzaj akumulatora	Akumulatory litowo-jonowe Flex-Force 60 V*

Jeśli maszyna jest używana z akumulatorem o pojemności 8,0 Ah lub większym, należy zamontować pas naramienny z mechanizmem szybkiego rozpinania, model 139-5334 (dostępny osobno).

Zakresy dopuszczalnej temperatury

Akumulator należy ładować/przechowywać w temperaturze	od 5°C do 40°C*
Akumulator należy użytkować w temperaturze	od -30°C do 49°C
Podkaszarkę żyłkową należy użytkować w temperaturze	od 0°C do 49°C
Podkaszarkę żyłkową należy przechowywać w temperaturze	od 0°C do 49°C*

* Czas ładowania wydłuży się w przypadku ładowania w temperaturze spoza tego zakresu.

Przechowuj narzędzie, akumulator i ładowarkę w zamkniętym, czystym i suchym miejscu.

Osprzęt/akcesoria

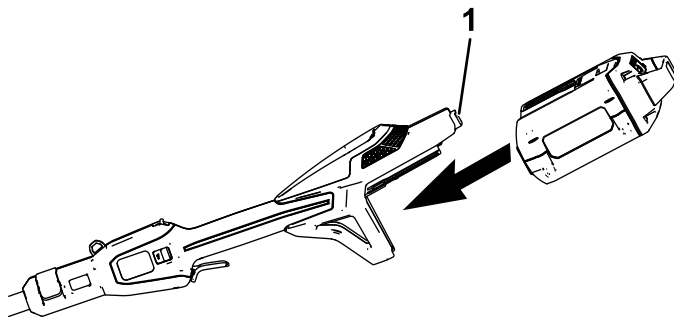
Dostępna jest gama zatwierdzonego przez firmę Toro osprzętu i akcesoriów przeznaczonych do stosowania z maszyną, zwiększających jej możliwości. Skontaktuj się z autoryzowanym przedstawicielem serwisowym lub dystrybutorem, lub odwiedź stronę www.Toro.com, aby uzyskać listę wszystkich zatwierdzonych akcesoriów i osprzętu.

Aby zapewnić maksymalną wydajność i zachować certyfikat bezpieczeństwa maszyny, używaj wyłącznie oryginalnych części zamiennych i akcesoriów firmy Toro. Części zamienne i akcesoria innych producentów mogą być niebezpieczne.

Działanie

Uruchomienie podkaszarki

1. Dopilnuj, aby otwory wentylacyjne podkaszarki nie były zatkane przez brud.
2. Ustaw wgłębienie w akumulatorze równo z wypustką na głowicy zasilania ([Rysunek 7](#)).
3. Wsuń akumulator do głowicy zasilania, aż do jego zablokowania w zatrzaskach ([Rysunek 7](#)).



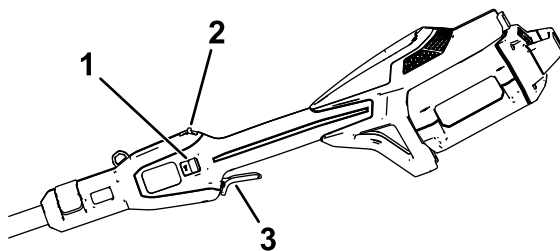
Rysunek 7

g507688

1. Zatrzask akumulatora
-

4. Aby uruchomić podkaszarkę, wyciągnij przycisk blokady, a następnie naciśnij przełącznik uruchamiający z regulacją prędkości ([Rysunek 8](#)).

Informacja: Aby zmienić prędkość pracy podkaszarki, przesuwaj przełącznik zakresu prędkości.



g507689

Rysunek 8

- 1. Przełącznik zakresu prędkości
 - 2. Przełącznik blokujący
 - 3. Przycisk uruchamiający z regulacją prędkości
-

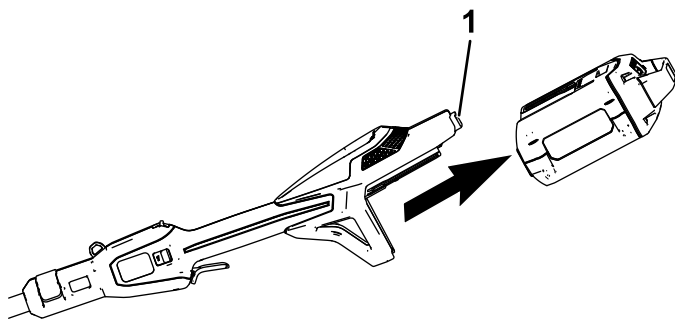
Wyłączanie podkaszarki

Aby wyłączyć podkaszarkę, zwolnij przełącznik uruchamiający lub przełącznik blokujący.

Wyjmuj akumulator zawsze, gdy nie używasz podkaszarki lub przewożysz podkaszarkę z/do strefy pracy.

Wyjmowanie akumulatora z podkaszarki

Naciśnij zatrzask akumulatora, aby zwolnić zaczep akumulatora i wysunąć akumulator z urządzenia ([Rysunek 9](#)).



Rysunek 9

g507691

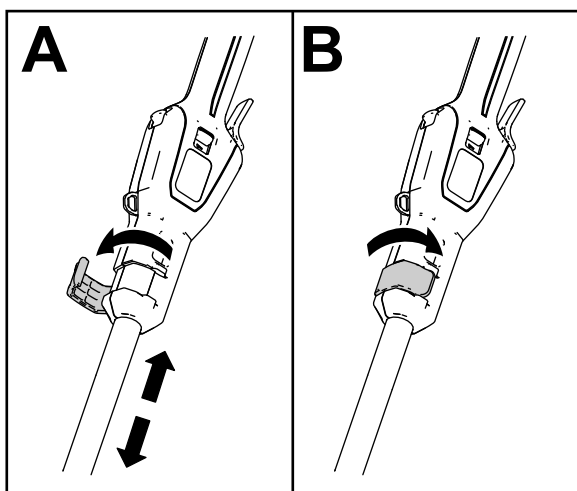
1. Zatrzask akumulatora
-

Regulacja położenia uchwytu pomocniczego

1. Poluzuj pokrętkę na dole uchwytu pomocniczego.
2. Wyreguluj położenie uchwytu pomocniczego na wysięgniku, aby uzyskać neutralne i wygodne położenie maszyny podczas pracy.
3. Dokręć pokrętkę, aby zamocować uchwyt pomocniczy.

Regulacja długości wysięgnika

1. Otwórz zatrzask teleskopowy z przodu uchwytu.
2. Wydłuż lub skróć wysięgnik, aby uzyskać neutralne i wygodne położenie maszyny podczas pracy.
3. Zablokuj zatrzask teleskopowy na wysięgniku.



Rysunek 10

g507705

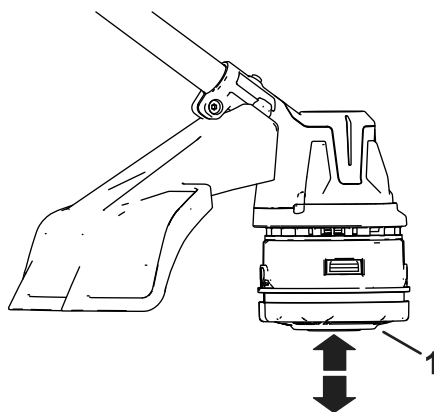
Wysuwanie żyłki za pomocą wysuwania przyciskowego

1. Uruchom narzędzie z pełną prędkością obrotową.
2. Stuknij przyciskiem wysuwania o podłoże, aby wysunąć żyłkę. Żyłka jest wysuwana przy każdym stuknięciu przyciskiem wysuwania.

Ważne: Nie przytrzymuj przycisku wysuwania na podłożu w czasie pracy podkaszarki.

Informacja: Na deflektorze trawy znajduje się ostrze odcinające, które przycina żyłkę na odpowiednią długość.

Informacja: Jeżeli zapas żyłki jest już zbyt krótki, wysunięcie żyłki przez stuknięcie przyciskiem nie będzie możliwe. W takim przypadku zwolnij przełącznik uruchamiający i przełącznik blokujący oraz patrz [Ręczne wysuwanie żyłki \(Strona 23\)](#).



Rysunek 11

1. Przycisk wysuwania żyłki

Ręczne wysuwanie żyłki

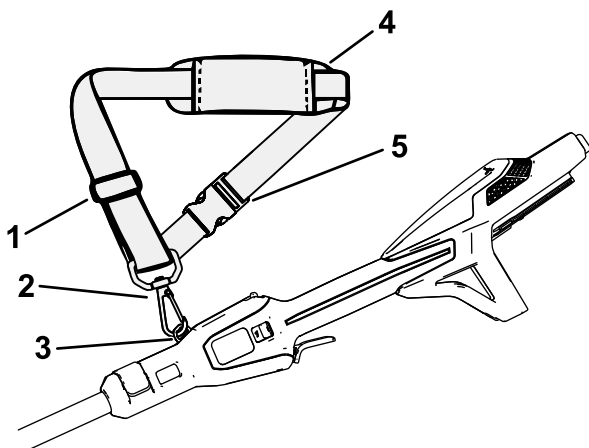
Aby ręcznie wysunąć żyłkę, odłącz akumulator od podkaszarki, a następnie naciśnij przycisk wysuwania u dołu elementu mocującego szpulę z żyłką, jednocześnie pociągając za żyłkę podkaszarki.

Używanie paska naramiennego

Ważne: Jeżeli używasz podkaszarki żyłkowej z akumulatorem 8,0 Ah lub większym, zamontuj pasek naramienny (dostępny osobno).

Nie używaj paska naramiennego, jeżeli podkaszarka żyłkowa jest zasilana z plecaka i uchwytu plecaka; wtedy używaj wyłącznie szelek plecaka.

Zaczepek karabińczyk paska naramiennego o pierścień mocowania u góry uchwytu ([Rysunek 12](#)).



Rysunek 12

g507529

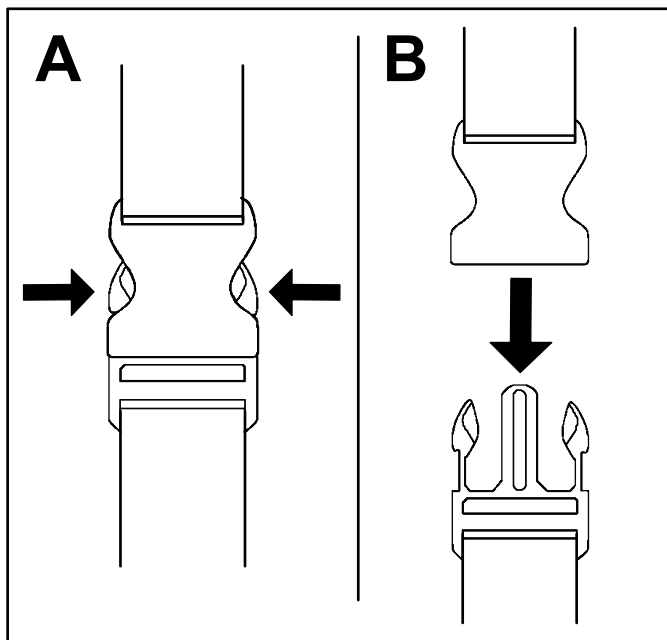
- | | |
|-------------------------|-----------------------------|
| 1. Regulator paska | 4. Podkładka naramienna |
| 2. Karabińczyk obrotowy | 5. Klamra szybko zwalnająca |
| 3. Pierścień mocowania | |

Długość paska jest regulowana; przesunij regulator w górę, aby skrócić pasek, lub w dół, aby wydłużyć pasek ([Rysunek 12](#)).

W razie konieczności szybkiego zdjęcia paska należy rozpiąć klamrę zgodnie z poniższą instrukcją:

1. Nacisnąć boki klamry (A na [Rysunek 13](#)).

2. Rozłączyć klamrę (B na [Rysunek 13](#)).

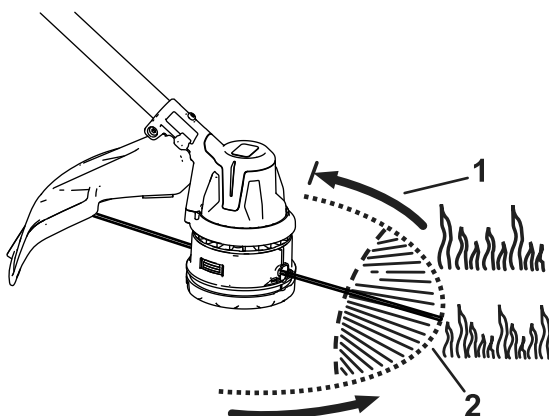


Rysunek 13

g340477

Rady związane z obsługiwaniem się urządzeniem

- Trzymaj podkaszarkę przechyloną w kierunku obszaru ścinania, co zapewni najlepszą powierzchnię cięcia.
- Podkaszarka żyłkowa przycina trawę przy przesuwaniu jej od strony prawej do lewej. Zapobiega to wyrzucaniu materiału na operatora.
- Do cięcia używaj końcówki żyłki. Nie wprowadzaj głowicy tnącej na siłę w nieskoszoną trawę.
- Ogrodzenia siatkowe i sztachetowe mogą spowodować szybkie zużycie, a nawet pęknięcie żyłki. Mury kamienne i ceglane, krawężniki i elementy drewniane mogą spowodować szybkie zużycie żyłki.
- Omijaj drzewa i krzewy. Żyłka może łatwo uszkodzić korę, formy i panele drewniane oraz słupki ogrodzeniowe.



Rysunek 14

1. Kierunek obrotów

2. Tor ruchu żyłki tnącej

g507692

Konserwacja

Po każdym użyciu podkaszarki wykonaj następujące czynności:

1. Odłącz akumulator od podkaszarki.
2. Wytrzyj podkaszarkę wilgotną ściereczką do czysta. Nie myj narzędzia węzłem z wodą ani nie zanurzaj go w wodzie.

⚠ OSTROŻNIE

Ostrze odcinające żyłkę na deflektorze jest ostre i może spowodować zranienia.

Nie czyść osłony deflektora i ostrza gołymi rękami.

3. Wytrzyj lub oskrob obszar głowicy tnącej do czysta zawsze, gdy zauważysz nagromadzenie zanieczyszczeń.
4. Sprawdź i dokręć wszystkie mocowania. Napraw lub wymień wszystkie uszkodzone lub zgubione części.
5. Zetrzyj zanieczyszczenia z krater wentylacyjnych na głowicy zasilania i obudowie silnika, aby nie dochodziło do jego przegrzewania.

Wymiana żyłki tnącej

Używaj wyłącznie jednowłóknowej żyłki tnącej o średnicy 2,0 mm lub jednowłóknowej żyłki skręconej 2,4 mm Toro.

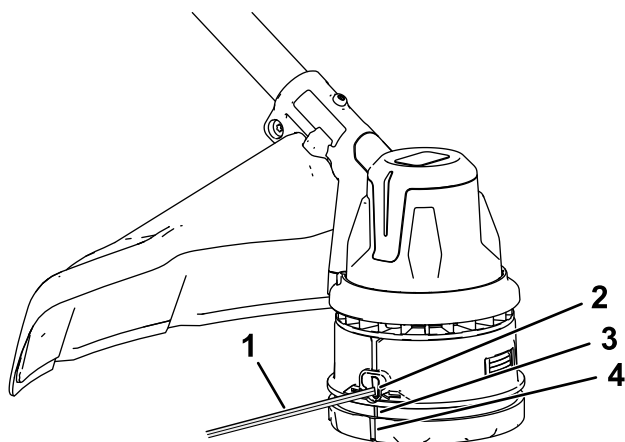
1. Odłącz akumulator od podkaszarki.
2. Wyciągnij pozostałą na szpuli starą żyłkę poprzez wielokrotne naciskanie przycisku wysuwania z jednoczesnym wyciąganiem żyłki jednocześnie z obu przycisku.
3. Przytnij odcinek żyłki o długości maks. 7,3 m.

Ważne: Nie nawijaj zbyt dużo żyłki na szpulę.

Ważne: Nie używaj żyłki innej grubości ani innego rodzaju, gdyż mogłoby to spowodować uszkodzenie podkaszarki.

4. Naciśnij i obróć przycisk wysuwania żyłki w kierunku wskazanym strzałkami (w prawo), aż znaki na bokach przycisku wyrównają się z znakami pod otworami wysuwu żyłki ([Rysunek 15](#)).

5. Włóż jeden z końców żyłki pod kątem prostym do otworu i wsuwaj żyłkę aż wysunie się ona z otworu po przeciwnej stronie.



Rysunek 15

g507694

1. Żyłka tnąca
2. Oczko
3. Znak wyrównania otworu
4. Znak wyrównania przycisku wysuwania żyłki

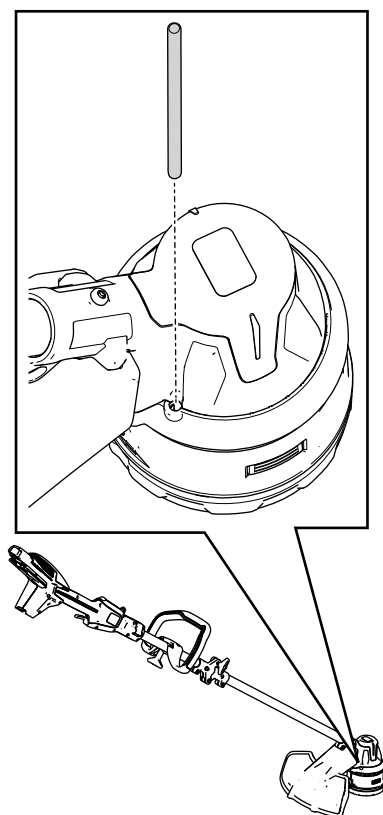
Ważne: Nie rozmontowuj głowicy podkaszarki.

6. Wyciągnij żyłkę przez otwory, aż po obu stronach głowicy podkaszarki będą wystawały odcinki o takiej samej długości.
7. Jedną ręką przytrzymaj podkaszarkę żyłkową. Drugą ręką obracaj głowicę podkaszarki w kierunku wskazanym strzałkami (w prawo) na dole przycisku wysuwania żyłki, aby nawinąć żyłkę. Pozostaw z każdej strony po około 152 mm żyłki wystającej z otworów.

Wymiana głowicy podkaszarki

1. Odłącz akumulator od podkaszarki.
2. Wsuń narzędzie o małej średnicy (np. wkrętak) przez obudowę silnika i do rowka w wentylatorze, aby zablokować swobodny obrót głowicy (Rysunek 16).

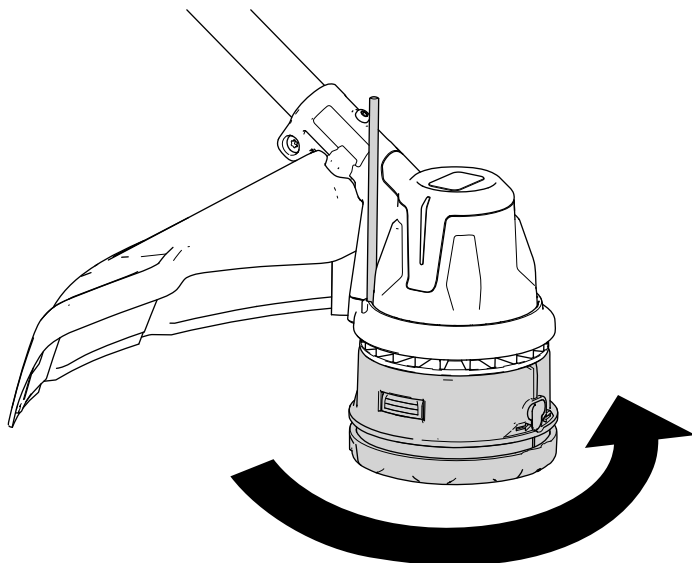
Informacja: Przy narzędziu umieszczonym w otworze obracaj głowicę podkaszarki, aż poczujesz, że trzpień wpadł w rowek.



Rysunek 16

g512077

3. Przy głowicy podkaszarki zablokowanej narzędziem obracaj głowicę w lewo, aby zdemonować ją z gwintowanego trzpienia obudowy przekładni (**Rysunek 17**).



Rysunek 17

g516022

-
4. W celu zamontowania nowej głowicy podkaszarki obracaj ją w prawo, nakręcając na trzpień obudowy przekładni, przy wentylatorze zablokowanym za pomocą narzędzia.

Przechowywanie

Ważne: Przechowuj maszynę, akumulator i ładowarkę jedynie w odpowiednim zakresie temperatur, patrz [Specyfikacje \(Strona 18\)](#).

Ważne: W przypadku przechowywania maszyny przez okres roku lub dłużej należy odłączyć akumulator od maszyny i naładować go do poziomu, gdy na akumulatorze zaświecą się na zielono 1 lub 2 kontrolki LED. Nie przechowuj całkowicie naładowanego lub całkowicie rozładowanego akumulatora. Przed ponownym użyciem maszyny naładuj akumulator do momentu, gdy lewa dioda kontrolna na ładowarce zaświeci się na zielono lub gdy wszystkie 4 diody kontrolne na akumulatorze zaświecą się na zielono.



- Po użyciu odłącz maszynę od zasilania (tzn. odłącz akumulator) i sprawdź, czy nie został uszkodzony.
- Oczyszczyć maszynę z wszelkich substancji obcych.
- Nie przechowuj maszyny ani ładowarki z zamontowanym lub podłączonym akumulatorem.
- Kiedy nie korzystasz z maszyny, przechowuj ją wraz z akumulatorem i ładowarką w miejscu niedostępnym dla dzieci.
- Trzymaj maszynę, akumulator i ładowarkę z dala od środków żrących takich jak chemia ogrodowa i sól drogowa.
- Aby ograniczyć ryzyko poważnych obrażeń, unikaj przechowywania akumulatora na zewnątrz budynków lub wewnątrz pojazdów.
- Maszynę, akumulator i ładowarkę należy przechowywać w czystym i suchym pomieszczeniu.
- Maszyny złożonej na czas przechowywania nie zawieszaj na wiązce przewodów elektrycznych.

Przygotowanie akumulatora do recyklingu

Ważne: Po odłączeniu zaklej styki akumulatora wytrzymałą taśmą klejącą. Nie próbuj zniszczyć lub zdemontować akumulatora ani nie demontuj żadnego z jego podzespołów.



Aby uzyskać szczegółowe informacje o właściwym sposobie utylizacji akumulatora, skontaktuj się z lokalnym samorządem lub autoryzowanym serwisem.

	Akumulatory litowo-jonowe oznaczone symbolem Call2Recycle można oddać do recyklingu u dowolnego sprzedawcy uczestniczącego w programie Call2Recycle lub w punkcie recyklingu akumulatorów uczestniczącym w tym programie (tylko USA i Kanada). Adres najbliższego sprzedawcy lub punktu recyklingu można uzyskać pod numerem 1-800-822-8837 lub na stronie www.call2recycle.org .
	Akumulatory litowo-jonowe oznaczone przedstawionym tu symbolem akumulatora wysokoenergetycznego (High Energy Battery, HEB), oraz wszystkie akumulatory 60 V Flex-Force o pojemności 6 Ah lub większej, można oddać do recyklingu w placówkach dealerów lub sprzedawców uczestniczących w programie Call2Recycle HEB. Adres najbliższego dealera lub sprzedawcy uczestniczącego w programie można znaleźć na stronie www.hebattery.org .

Jeżeli nie możesz znaleźć sprzedawcy lub punktu recyklingu uczestniczących w programie w najbliższej okolicy, lub nie wiesz, do którego programu kwalifikuje się dany akumulator, zajrzyj na stronę pomocy dla klientów wskazaną w instrukcji obsługi danego narzędzia/sprzętu, gdzie znajdziesz więcej informacji na temat odpowiedzialnego recyklingu akumulatorów.

Jeżeli znajdujesz się poza terytorium USA i Kanady, skontaktuj się z autoryzowanym serwisem lub dystrybutorem, aby uzyskać więcej informacji na temat odpowiedzialnego recyklingu akumulatorów.

Rozwiązywanie problemów

Wykonaj tylko czynności opisane w niniejszej instrukcji. Jeżeli nie uda się rozwiązać problemu samemu, wszelkie inne czynności kontrolne, konserwacyjne i naprawcze mogą być wykonywane tylko przez autoryzowany punkt serwisowy lub wykwalifikowanego specjalistę.

Na czas usuwania usterek, kontroli, konserwacji lub czyszczenia narzędzia należy zawsze wymontować z niego akumulator.

Problem	Możliwa przyczyna	Usuwanie usterek
Narzędzie nie daje się uruchomić lub nie pracuje w sposób ciągły.	<ol style="list-style-type: none">1. Akumulator nie jest do końca wsunięty w narzędzie.2. Akumulator nie jest naładowany.3. Akumulator ma temperaturę wykraczającą poza dopuszczalny zakres temperatur.4. Na stykach akumulatora znajduje się wilgoć.5. Akumulator jest uszkodzony.6. W narzędziu występuje inny problem natury elektrycznej.	<ol style="list-style-type: none">1. Wyjmij i ponownie włóż akumulator do narzędzia, upewniając się, że jest on zamontowany do końca i zablokowany przez zatrzask.2. Odłącz akumulator od narzędzia i naładuj go.3. Przenieś akumulator do suchego miejsca, w którym panuje temperatura od 5°C do 40°C.4. Odczekaj, aż akumulator wyschnie lub wytrzyj styki do sucha.5. Wymień akumulator.6. Skontaktuj się z przedstawicielem autoryzowanego serwisu.
Narzędzie nie rozwija pełnej mocy lub obudowa silnika się przegrzewa.	<ol style="list-style-type: none">1. Stan naładowania akumulatora jest zbyt niski.2. Otwory wentylacyjne są zablokowane.	<ol style="list-style-type: none">1. Odłącz akumulator od narzędzia i naładuj go całkowicie.2. Udrożnij otwory wentylacyjne.

Problem	Możliwa przyczyna	Usuwanie usterek
Narzędzie wytwarza nadmierne drgania lub nietypowe dźwięki.	<ol style="list-style-type: none"> 1. Pod deflektorem trawy lub obudową przycisku wysuwania żyłki znajdują się zanieczyszczenia. 2. Żyłka nie jest prawidłowo nawinięta na szpulę. 	<ol style="list-style-type: none"> 1. Usuń zanieczyszczenia spod deflektora trawy lub przycisku wysuwania żyłki. 2. Wysuń żyłkę za pomocą wysuwania przyciskowego i/lub odwiń żyłkę ze szpuli i nawiń ją ponownie.
Użycie przycisku wysuwania żyłki nie powoduje jej wysunięcia.	<ol style="list-style-type: none"> 1. Skończył się zapas żyłki w podkaszarce. 2. Żyłka jest zakleszczona w obudowie przycisku wysuwania żyłki. 3. Pod deflektorem trawy lub obudową przycisku wysuwania żyłki znajdują się zanieczyszczenia. 	<ol style="list-style-type: none"> 1. Nawiń nową żyłkę na głowicę przycisku. 2. Zdemontuj osłonę przycisku wysuwania żyłki i odblokuj żyłkę. 3. Usuń zanieczyszczenia spod deflektora trawy lub przycisku wysuwania żyłki.
Akumulator szybko się rozładowuje.	<ol style="list-style-type: none"> 1. Akumulator ma temperaturę wykraczającą poza dopuszczalny zakres temperatur. 2. Podkaszarka jest przeciążona. 	<ol style="list-style-type: none"> 1. Przenieś akumulator do suchego miejsca, w którym panuje temperatura od 5°C do 40°C. 2. Zwolnij tempo pracy.

Notatki:



Count on it.

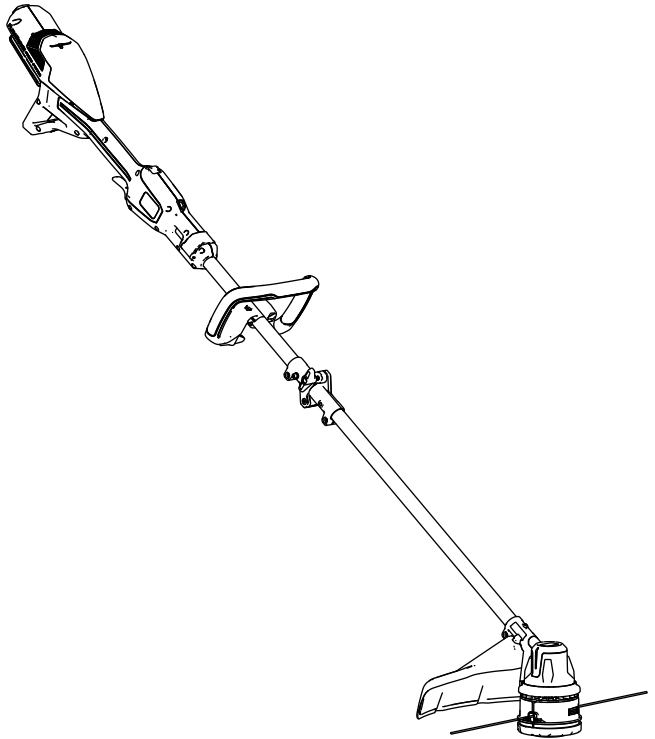


Count on it.

Bruksanvisning

**Flex-Force Power System®
60 V, 35 cm trådtrimmer**

Modellnr 51890T—Serienr 326000000 och högre



Registrera din produkt på
www.Toro.com.
Översättning av originalet (SV)



* 3 4 8 0 - 1 9 6 *



På www.Toro.com/support finns hjälp i form av instruktioner. Du kan också kontakta din auktoriserade återförsäljare innan du returnerar produkten.

Produkten uppfyller alla relevanta europeiska direktiv. Mer information finns i en separat och produktspecifik försäkran om överensstämmelse.

Introduktion

Denna trimmer är avsedd att användas av privatkunder för att klippa gräs utomhus efter behov. Den är konstruerad för drivning med Flex-Force™ 60 V-litiumjonbatteripaket. Dessa batteripaket är avsedda att laddas utslutande med Flex-Force litiumjonbatteriladdare på 60 V. Det kan medföra fara för dig och kringstående om produkten används i andra syften än vad som avsetts.

Viktigt: Om du använder maskinen med ett batteripaket på 8,0 Ah eller mer måste du montera selen med snabbkoppling, modell 139-5334 (medföljer ej) för korrekt stöd och balans.

Använd inte andra selar eller flera olika selar när du använder maskinen.

Modell 51890T inkluderar varken batteri eller laddare.

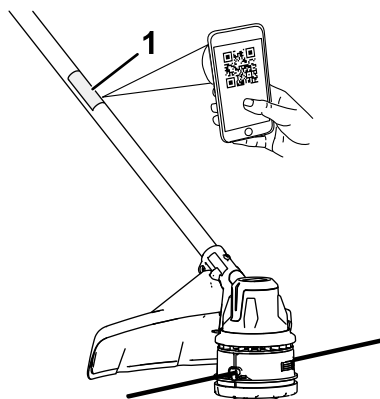
Läs denna information noga så att du lär dig att använda och underhålla produkten på rätt sätt, och för att undvika person- och produktskador. Du är ansvarig för att produkten används på ett riktigt och säkert sätt.

Besök www.Toro.com om du behöver utbildningsmaterial för säkerhet och drift, information om tillbehör, hjälp med att hitta en återförsäljare eller om du vill registrera din produkt.



Kontakta en auktoriserad återförsäljare eller tillverkarens kundservice och ha produktens modell- och serienummer till hands om du är i behov av service, originaldelar eller ytterligare information. [Figur 1](#) visar var du finner produktens modell- och serienummer. Skriv numren i det tomma utrymmet.

Viktigt: Skanna rutkoden på serienummerdekalen (i förekommande fall) med en mobil enhet för att få tillgång till information om garanti, reservdelar och annat.



Figur 1

g507019

1. Plats för modellnummer, serienummer och QR-kod

Modellnr _____
Serienr _____

Varningssymbol

Varningssymbolen (Figur 2) som visas i den här bruksanvisningen och på maskinen markerar viktiga säkerhetsmeddelanden som du måste följa för att förhindra olyckor.



Figur 2
Varningssymbol

g000502

Varningssymbolen visas ovanför information som varnar dig för farliga handlingar eller situationer och följs av orden **FARA**, **VARNING** eller **VAR FÖRSIKTIG**.

FARA indikerar en överhängande fara som, om den inte undviks, **kommer att** leda till dödsfall eller allvarliga personskador.

VARNING indikerar en potentiellt farlig situation som, om den inte undviks, **kan** leda till dödsfall eller allvarliga personskador.

VAR FÖRSIKTIG indikerar en potentiellt farlig situation som, om den inte undviks, **kan** leda till mindre eller måttliga personskador.

Två andra beteckningar används för att markera information i denna bruksanvisning. **Viktigt** anger speciell teknisk information och **Observera** anger allmän information som är värd att notera.

Säkerhet

▲ VARNING

Läs alla säkerhetsvarningar, anvisningar och specifikationer och se alla illustrationer som medföljer maskinen.

Underlåtenhet att följa anvisningarna nedan kan resultera i elektriska stötar, brand och/eller allvarliga personskador.

Spara alla varningar och anvisningar för framtida bruk.

Termen "maskin" i samtliga varningar avser din eldrivna maskin (med sladd) eller batteridrivna maskin (utan sladd).

I. Arbetsplatssäkerhet

1. **Arbetsområdet ska vara rent och väl upplyst.** *Olycksrisken ökar i nedskräpade eller dåligt upplysta områden.*
2. **Använd inte maskiner i explosiva atmosfärer, t.ex. i närheten av brandfarliga vätskor, gaser eller damm.** *Maskiner ger upphov till gnistor som kan antända dammet eller gaserna.*
3. **Håll barn och kringstående på avstånd när du använder en maskin.** *Du riskerar att förlora kontrollen om du distraheras.*

II. Elsäkerhet

1. **Maskinens kontakt måste passa nätuttaget. Du får inte modifiera kontakten på något sätt. Använd aldrig en adapterkontakt tillsammans med en jordad maskin.** *Risken för elektriska stötar minskar om du använder omodifierade kontakter som matchar nätuttagen.*
2. **Undvik kroppskontakt med jordade ytor som rör, element, härdar och kylskåp.** *Risken för elektriska stötar ökar om kroppen är jordad.*
3. **Utsätt inte maskiner för regn eller våta förhållanden.** *Risken för elstötar ökar om vatten tränger in i maskinen.*
4. **Använd sladden med varsamhet. Håll inte i sladden när du bär, drar eller bryter strömmen till maskinen. Håll sladden på avstånd från värme, olja, skarpa kanter och rörliga delar.** *Skadade eller intrasslade sladdar ökar risken för elektriska stötar.*
5. **Använd en förlängningssladd som lämpar sig för utomhusbruk om du använder maskinen utomhus.** *Risken för elstötar minskar om du använder en sladd som lämpar sig för utomhusbruk.*
6. **Använd en jordfelsbrytare (JFB) om du tvingas använda maskinen i en fuktig miljö.** *Risken för elektriska stötar minskar om du använder en jordfelsbrytare (jfb).*

III. Personlig säkerhet

1. **Var uppmärksam, tänk på vad du gör och använd sunt förnuft när du använder en maskin. Använd inte en maskin om du är trött eller är påverkad av droger, alkohol eller medicin.** *Risken för allvarliga personskador ökar om du för ett ögonblick tappar koncentrationen när du använder en maskin.*
2. **Använd personlig skyddsutrustning. Använd alltid ögonskydd. Skyddsutrustning som munskydd, halkfria skyddsskor, hjälm eller hörselskydd för vissa krävande förhållanden minskar risken för personskador.**

3. **Förhindra oavsiktlig start. Kontrollera att reglaget är i läget Av innan du ansluter till en strömkälla och/eller batteri, lyfter eller bär verktyget.** *Risken för olyckor ökar om du bär maskinen med fingret på reglaget eller ansluter en redan påslagen maskin.*
4. **Ta bort eventuell justeringssprint eller skruvnyckel innan du aktiverar maskinen.** *Kvarlämnade skruvnycklar eller sprintar i en roterande del av maskinen kan orsaka personskador.*
5. **Sträck dig inte för långt. Bibehåll hela tiden ett stadigt fotstöd och balansen.** *På så sätt bibehåller du kontrollen över maskinen i oväntade situationer.*
6. **Bär lämplig klädsel. Använd inte löst sittande kläder eller smycken. Håll hår och kläder borta från rörliga delar.** *Löst sittande kläder, smycken och långt hår kan fastna i rörliga delar.*
7. **Om det går att förse enheter med dammsugs- och uppsamlingsfunktioner ska dessa anslutas och användas på ett lämpligt sätt.** *Användning av dammuppsamlingsutrustning kan minska risken för faror i samband med damm.*
8. **Låt inte kännedom från frekvent verktygsanvändning leda till att du blir självbelåten och ignorerar säkerhetsföreskrifterna för verktyget.** *Ett vårdslöst agerande kan orsaka allvarliga skador på bråkdelen av en sekund.*

IV. Användning och underhåll av maskinen

1. **Maskinen får inte brukas med våld. Använd rätt maskin för tillämpningen i fråga.** *Rätt maskin presterar bättre och fungerar på ett säkrare sätt om den används för den belastning som den har konstruerats för.*
2. **Använd inte maskinen om det inte går att använda reglaget för på- och avslagning.** *En maskin som inte kan styras med reglaget är farlig och måste repareras.*
3. **Dra ut sladden från strömkällan och/eller avlägsna batteripaketet från maskinen, om det är lösttagbart, innan du gör några justeringar, byter tillbehör eller ställer undan maskinen.** *Sådana förebyggande säkerhetsåtgärder minskar risken för oavsiktlig start av maskinen.*
4. **När maskiner inte används ska de förvaras utom räckhåll för barn.** *Låt inte någon som inte känner till maskinen eller inte har läst dessa anvisningar använda maskinen. Maskiner är farliga i händerna på utbildade användare.*
5. **Underhåll maskiner och tillbehör. Kontrollera om det finns rörliga delar som kärvar eller är felinriktade, trasiga delar, eller**

andra problem som kan påverka maskinens drift. En skadad maskin måste repareras innan den kan användas. Många olyckor orsakas av dåligt underhållna maskiner.

- Håll klippverktygen skarpa och rena. Rätt underhållna klippverktyg med skarpa skäreddar kärvar mindre och är enklare att använda.**
- Använd maskinen, tillbehör, verktygsdelar osv. enligt dessa anvisningar. Beakta även de aktuella arbetsförhållandena och det arbete som ska utföras. Användning av maskinen i andra syften än de avsedda kan leda till riskfyllda situationer.**
- Håll handtagen och greppytorna torra, rena och fria från olja och fett. Halkiga handtag och greppytor tillåter inte säker hantering och kontroll av verktyget i oväntade situationer.**

V. Korrekt användning och skötsel av batteri

- Ladda endast upp batteriet med den laddare som rekommenderas av tillverkaren. En laddare som är lämplig för en typ av batteri kan utgöra en brandrisk om den används med ett annat batteri.**
- Använd endast de batteripaket som är avsedda för maskinerna. Bruk av andra batterier kan öka skade- eller brandrisken.**
- Ett batteri som inte används ska förvaras på avstånd från andra metallföremål som gem, mynt, nycklar, spikar, skruvar eller andra mindre metallföremål som kan leda effekten från en pol till en annan. Kortslutning av batteriet kan orsaka brännskador eller eldsvåda.**
- Ett felbehandlat batteri kan läcka vätska. Undvik kontakt med denna. Spola med vatten vid eventuell oavsiktlig kontakt. Sök läkarhjälp om vätskan kommer i kontakt med ögonen. Vätska som läcker ur batteriet kan orsaka irritationer eller brännskador.**
- Använd inte ett batteripaket eller ett verktyg som är skadat eller modifierat. Skadade eller modifierade batterier kan fungera på ett oförutsägbart sätt som kan leda till brand, explosion eller risk för personskador.**
- Utsätt inte ett batteripaket eller ett verktyg för öppen låga eller mycket höga temperaturer. Exponering för eld eller temperaturer över 130 °C kan orsaka explosioner.**
- Följ alla laddningsanvisningar och ladda inte batteripaketet eller verktyget utanför det temperaturintervall som anges i anvisningarna. Felaktig laddning eller laddning vid temperaturer utanför angivet intervall kan skada batteriet och öka brandrisken.**

VI. Service

1. **Lämna in maskinen på service hos en kvalificerad verkstad som endast använder identiska reservdelar.** På så sätt äventyras inte maskinens säkerhet.
2. **Serva aldrig skadade batteripaket.** Service av batteripaket får endast utföras av tillverkaren eller av auktoriserade leverantörer.

VII. Säkerhetsinformation om strängtrimmern

1. **Använd inte maskinen under dåliga väderförhållanden, särskilt inte när det finns risk för blixtnedslag.** Detta minskar risken att träffas av blixten.
2. **Inspektera området noggrant och titta efter vilda djur där maskinen ska användas.** Vilda djur kan skadas av maskinen under drift.
3. **Undersök noga det område där maskinen ska köras, och avlägsna alla stenar, pinnar, ledningar, ben och andra föremål.** Utslungade föremål kan orsaka personskador.
4. **Innan du använder maskinen ska du alltid okulärbesiktiga att strängtrimmern inte är skadad.** Skadade delar ökar risken för personskador.
5. **Alla skydd måste sitta på plats. Skydden måste vara i fungerande skick och korrekt monterade.** Ett skydd som är löst eller skadat eller inte fungerar kan leda till personskador.
6. **Se till att alla kylluftsinlopp är fria från skräp.** Blockerade luftinlopp och skräp kan leda till överhettning eller brand.
7. **Använd ögon- och hörselskydd.** Lämplig skyddsutrustning minskar risken för personskador.
8. **Ha alltid på dig halkfria skyddsskor när du använder maskinen. Kör inte maskinen barfota eller i sandaler.** Detta minskar risken för att fötterna skadas vid kontakt med den rörliga klippmekanismen.
9. **Användaren ska alltid bära kläder som täcker benen under drift.** Kontakt med den rörliga klippmekanismen eller tråden kan orsaka personskador.
10. **Håll kringstående på avstånd när du använder maskinen.** Utslungat skräp kan leda till allvarliga personskador.
11. **Kör inte maskinen över midjehöjd.** På så sätt undviker du oavsiktlig kontakt med klippmekanismen och kan kontrollera maskinen i oväntade situationer.
12. **Var försiktig när du använder maskinen i vått gräs. Gå – spring aldrig.** Det minskar risken för att du halkar och ramlar, vilket kan leda till personskador.

13. **Använd inte maskinen i alltför branta sluttningar.** *Det minskar risken för att du förlorar kontrollen, halkar och ramlar, vilket kan leda till personskador.*
14. **När du arbetar i sluttningar ska du alltid ha ordentligt fotfäste. Arbeta alltid tvärgående över sluttningar, aldrig upp och ned, och var mycket försiktig när du ändrar riktning.** *Det minskar risken för att du förlorar kontrollen, halkar och ramlar, vilket kan leda till personskador.*
15. **Håll alla strömsladdar och kablar borta från klippområdet.** *Strömsladdar eller kablar kan vara dolda i häckar eller buskar och kan oavsiktligt kapas eller skadas av tråden eller klippmekanismen.*
16. **Håll alla kroppsdelar på avstånd från trimmerns klippmekanism och klipptråden när den är i rörelse. Avlägsna inte material från maskinen innan den har kopplats bort från strömkällan.** *Trimmerns klippmekanism och tråd kan orsaka allvarliga personskador när de är i rörelse.*
17. **När du bär maskinen ska den vara avstängd och vänd bort från kroppen.** *Korrekt hantering av maskinen minskar risken för oavsiktlig kontakt med trimmerns klippmekanism eller klipptråden när den är i rörelse.*
18. **Vid byte av klipphuvud, klippmekanism eller tråd ska endast reservdelar som specificerats av tillverkaren användas. Byt inte ut trimmerns klippmekanism eller trådar mot metalltrådar eller -knivar.** *Felaktiga reservdelar kan göra att du förlorar kontrollen eller att maskinen går sönder, eller att personskador uppstår.*
19. **När du rensar material som fastnat eller underhåller maskinen ska du se till att maskinen är avstängd och att batteripaketet har tagits bort.** *Oväntad start av maskinen vid bortrensning av material som fastnat eller vid underhåll kan leda till allvarliga personskador.*

SPARA DESSA

ANVISNINGAR




Dekalsymboler



Säkerhetsdekalerna och -anvisningarna är fullt synliga för föraren och finns nära alla potentiella farozoner. Ersätt dekalerna som har skadats eller saknas.

Följande tabeller beskriver de säkerhets- och instruktionssymboler som visas på dekalerna.

Trädtrimmerns dekalssymbol	Förklaring
	Risk för kringflygande föremål
	Varning
	Använd inte maskinen i våta förhållanden.
	Använd inte metallblad.
15 m (50 ft) 	Håll kringstående på minst 15 meters avstånd.
	Håll kringstående på behörigt avstånd.
	Håll kringstående på avstånd från maskinen i alla riktningar.
	Se till att alla skydd sitter på plats.
	Läs <i>bruksanvisningen</i> .
	Se till att alla skydd sitter på plats och ta bort batteripaketet innan du utför underhåll.

	Håll avstånd till rörliga delar.
	Använd flexibel lina.
	Bär ögon- och hörselskydd.

Montering

Lösa delar

Använd diagrammet nedan för att kontrollera att alla delar finns med.

Tillvägagångssätt	Beskrivning	An-tal	Användning
1	Anslutningsvred	1	Veckla ut skافتet.
2	Extrahandtag	1	Montera extrahandtaget.
3	Skydd Skruv	1 2	Montera skyddet.

1

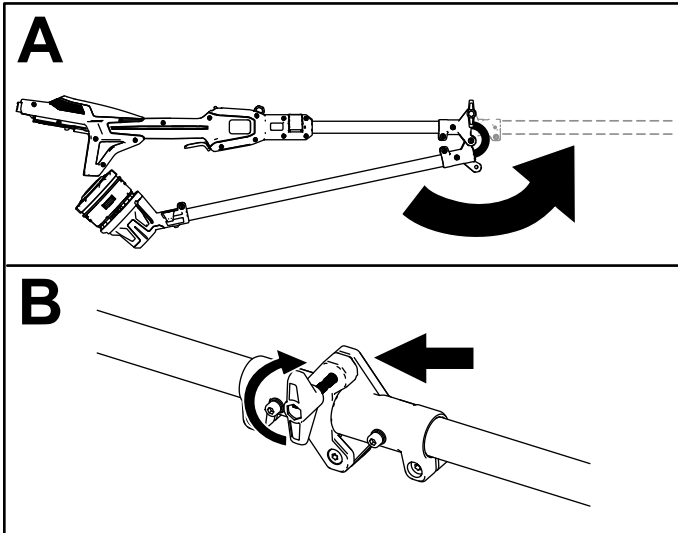
Veckla ut skaftet

Delar som behövs till detta steg:

1	Anslutningsvred
---	-----------------

Tillvägagångssätt

1. Veckla ut skaftet (A i [Figur 3](#)).
2. Säkra skaftet vid kopplingen med hjälp av anslutningsvredet (B i [Figur 3](#)).



Figur 3

g507675

2

Montera extrahandtaget

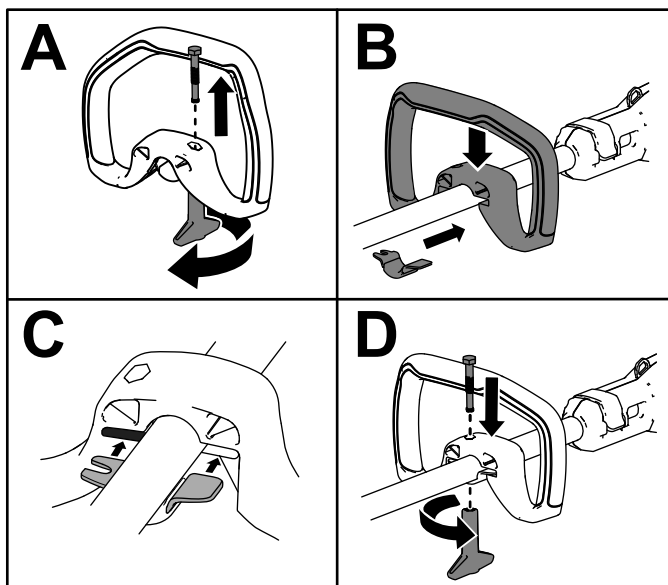
Delar som behövs till detta steg:

1	Extrahandtag
---	--------------

Tillvägagångssätt

1. Ta av extrahandtaget från handtagsbeslaget genom att skruva loss handtagslås-vredet och avlägsna skruven (A i [Figur 4](#)).

Viktigt: Skruven kan vara fastkilad i plasten på handtaget. Knacka lätt på skruvens nederdel tills den är fri från handtaget.



Figur 4

g507673

2. Rikta in handtagsbeslaget med extrahandtaget (B i [Figur 4](#)).
3. Skjut in handtagsbeslaget i spåret på extrahandtaget (C i [Figur 4](#)).
4. Fäst handtagsbeslaget vid extrahandtaget med handtagslås-vredet och skruven som du tog bort tidigare (D i [Figur 4](#)).

3

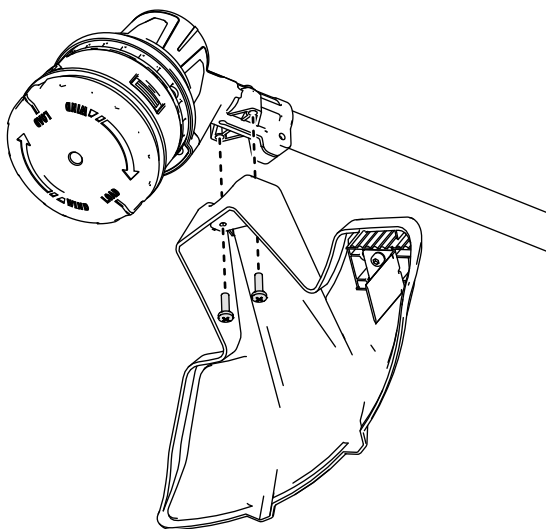
Montera skyddet

Delar som behövs till detta steg:

1	Skydd
2	Skruv

Tillvägagångssätt

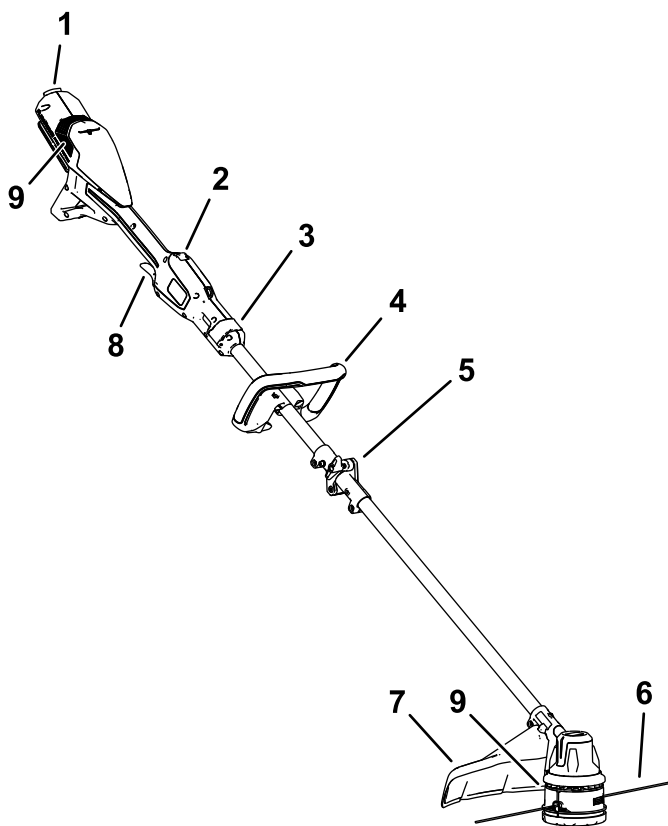
Fäst skyddet på trimmerbasen med de två skruvarna.



Figur 5

g507687

Produktöversikt



Figur 6

- | | |
|-------------------------------|--------------------|
| 1. Batterispärr | 6. Klipptråd |
| 2. Spärrbrytare | 7. Skydd |
| 3. Förlängningsspärr | 8. Körreglage |
| 4. Extrahandtag | 9. Trimmerventiler |
| 5. Koppling mitt på handtaget | |

g507020

Specifikationer

Modell	51890T
Märkspänning	60 V DC max, 54 V DC nominellt
Laddartyp	Flex-Force 60 V litiumjonladdare
Batterityp	Flex-Force 60 V litiumjonbatterier*

Om du använder maskinen med ett batteripaket på 8,0 Ah eller mer måste du montera selen med snabbkoppling, modell 139-5334 (medföljer ej).

Lämpliga temperaturintervall

Ladda/förvara batteripaketet vid	5 °C till 40 °C*
Använd batteripaketet vid	-30 °C till 49 °C
Använd trimmern vid	0 °C till 49 °C
Förvara trimmern vid	0 °C till 49 °C*

* Laddningstiden förlängs om du inte laddar batteriet inom detta temperaturintervall.

Förvara verktyget, batteripaketet och batteriladdaren på en ren och torr avsides plats.

Redskap/tillbehör

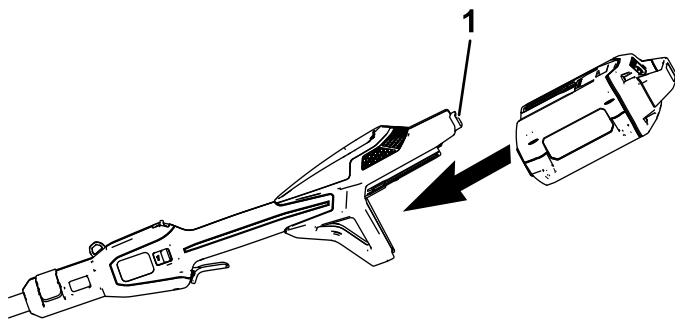
Ett sortiment av Toro-godkända redskap och tillbehör kan användas med maskinen för att förbättra och utvidga dess kapacitet. Kontakta din auktoriserade återförsäljare eller auktoriserade Toro-distributör eller besök www.Toro.com för en lista över alla godkända redskap och tillbehör.

För att garantera optimal prestanda och permanent säkerhetscertifiering för maskinen ska du endast använda originaldelar och -tillbehör från Toro. Reservdelar och tillbehör från andra tillverkare kan vara farliga.

Körning

Starta trimmern

1. Se till att ventilerna på trimmern är fria från damm och skräp.
2. Rikta in hållrummet på batteripaketet med drivhuvudets spetsiga ände (Figur 7).
3. Tryck in batteripaketet i drivhuvudet så att batteriet låses fast i spärren (Figur 7).



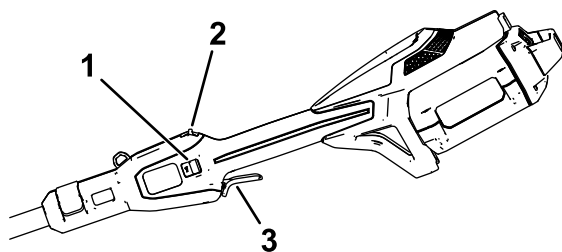
Figur 7

g507688

1. Batterispärr

-
4. Starta trimmern genom att dra spärrbrytaren bakåt och därefter trycka på reglaget för reglerbar hastighet (Figur 8).

Obs: Skjut på hastighetsreglaget för att ändra trimmerns hastighet.



Figur 8

g507689

1. Hastighetsreglage
2. Spärrbrytare
3. Reglage för reglerbar hastighet

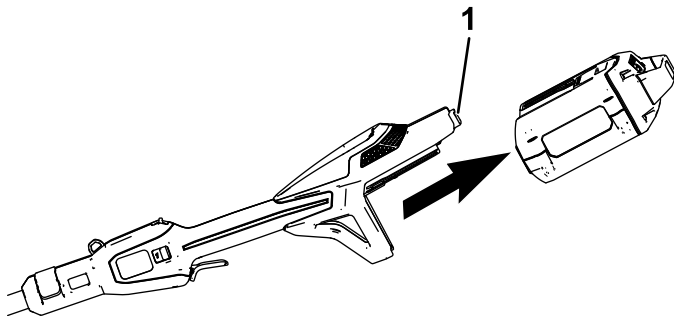
Stänga av trimmern

Släpp körreglaget och spärrbrytaren för att stänga av trimmern.

Avlägsna alltid batteripaketet när du inte använder trimmern eller transporterar den till eller från arbetsområdet.

Ta bort batteripaketet från trimmern

Tryck på batterispärren för att lossa batteripaketet och skjut ut batteripaketet ur maskinen ([Figur 9](#)).



Figur 9

g507691

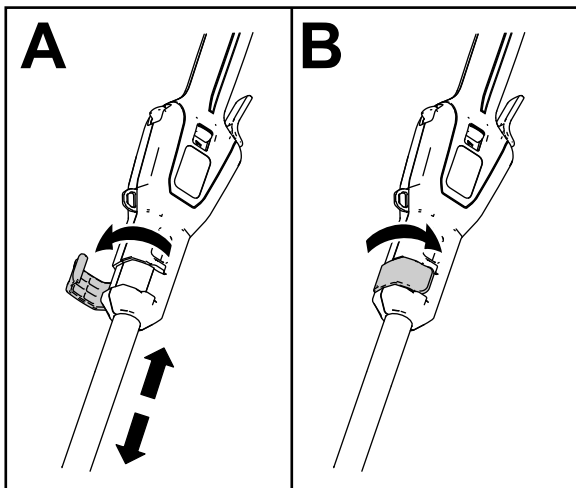
1. Batterispärr

Justera extrahandtagetets position

1. Lossa handtagslås-vredet längst ned på extrahandtaget.
2. Justera extrahandtagetets position på skaftet så att du kan hålla trimmern i ett neutralt och bekvämt läge under drift.
3. Dra åt handtagslås-vredet för att låsa fast extrahandtaget.

Justera skaftets längd

1. Öppna förlängningsspärren framtill på handtaget.
2. Förläng eller dra in skaftet så att du kan hålla trimmern i ett neutralt och bekvämt läge under drift.
3. Stäng förlängningsspärren för att låsa fast skaftet.



Figur 10

g507705

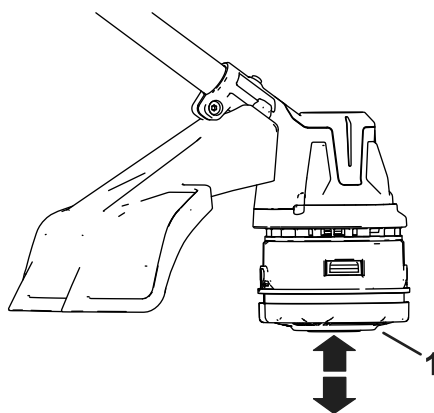
Mata fram tråden med hjälp av trådframmatning

1. Kör verktyget med full gas.
2. Knacka frammatningshuvudet mot marken för att mata fram tråden. Tråden matas fram varje gång du knackar på frammatningshuvudet.

Viktigt: Knacka inte frammatningshuvudet mot marken medan trimmern är igång.

Obs: Kapningskniven för trådklippning på gräsriktaren klipper av tråden i korrekt längd.

Obs: Om tråden är för sliten kan du inte mata fram den genom att knacka mot marken. I så fall ska du släppa både körreglaget och spärrbrytaren och se [Förlänga tråden manuellt \(sida 21\)](#).



Figur 11

g507693

1. Frammatningshuvud

Förlänga tråden manuellt

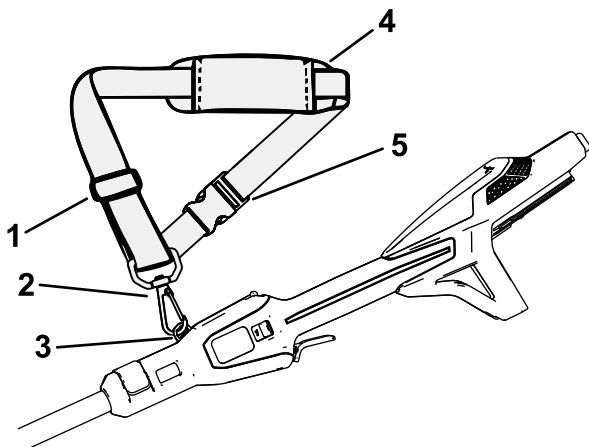
Avlägsna batteripaketet från trimmern och tryck sedan på frammatningshuvudet vid basen på spolhållaren samtidigt som du drar i trimmertråden för att mata fram den manuellt.

Använda axelselen

Viktigt: Om du använder strängtrimmern med ett installerat batteri på 8,0 Ah eller mer ska du montera axelselen (medföljer ej).

Använd inte axelselen om du driver strängtrimmern med ryggsäcken och ryggsäcksanslutningen – använd endast ryggsäckssele.

Koppla fast haken på axelselen i fästögla på handtagets ovansida (Figur 12).



Figur 12

g507529

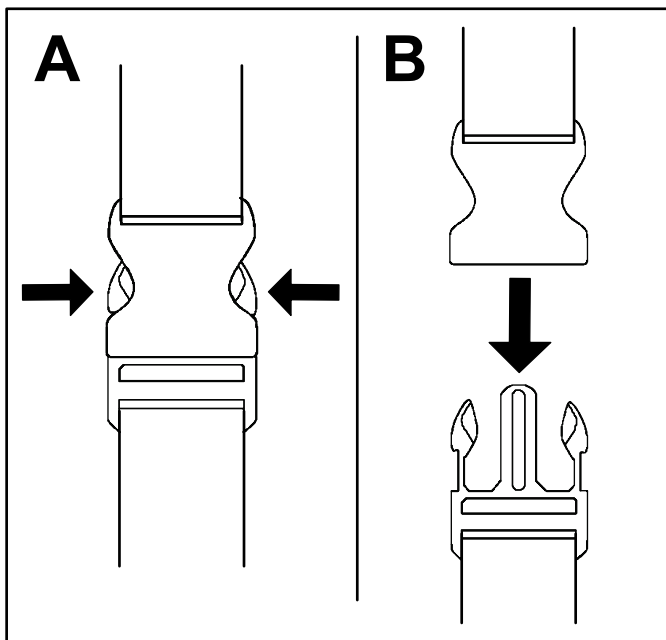
- | | |
|-----------------|--------------------------------|
| 1. Remjusterare | 4. Axelvadd |
| 2. Vridbar hake | 5. Spänne för snabb upplåsning |
| 3. Fästögla | |

Remlängden är justerbar. Skjut remjusteraren uppåt för att minska remmens längd eller nedåt för att öka remmens längd (Figur 12).

Om du någon gång snabbt behöver ta bort selen ska du koppla loss spännet för snabb upplåsning enligt följande:

1. Tryck in spännets sidor (A i Figur 13).

2. Låt spännet kopplas bort (B i Figur 13).

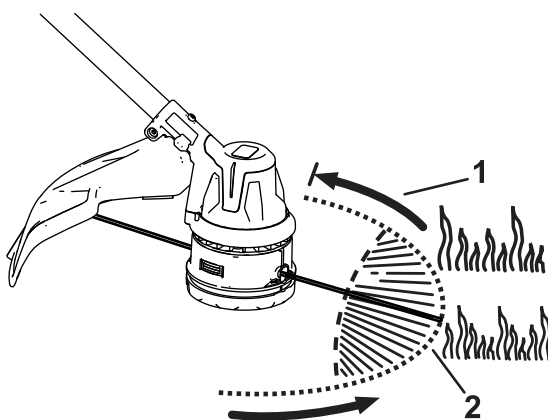


Figur 13

g340477

Arbetstips

- Du åstadkommer den bästa klippningen genom att luta trimmern mot det område som klipps.
- Strängtrimmern klipper när du för den från höger till vänster. Detta förhindrar att trimmern slungar ut skräp på dig.
- Låt klipptrådens spets sköta klippandet. Forcera inte ned trimmerhuvudet i det oklippta gräset.
- Trådstängsel och spjälstaket kan göra att klipptråden slits snabbare och till och med går sönder. Sten- och tegelväggar, trottoarkanter och trä kan också leda till att klipptråden slits snabbare.
- Undvik träd och buskar. Klipptråden kan lätt skada barken på träd, trälister, ytterväggar och staketstolpar.



Figur 14

1. Rotationsriktning

2. Klipptrådens bana

g507692

Underhåll

Utför följande efter varje användningstillfälle:

1. Ta bort batteripaketet från trimmern.
2. Torka av trimmern med en fuktad trasa. Spruta inte vatten över trimmern med en vattenslang, och sänk inte heller ned den i vatten.

⚠ VAR FÖRSIKTIG

Kapningskniven under riktaren är vass och kan ge skärsår.

Använd inte händerna för att rengöra riktarens skydd och kniv.

3. Torka eller skrapa rent klipphuvudet närhelst det samlas skräp där.
4. Kontrollera och dra åt alla fästelement. Reparera eller ersätt delar som har skadats eller saknas.
5. Borsta bort skräp från luftintagen på drivhuvudet och avgassystemet på motorhöljet för att förhindra att motorn överhettas.

Byta ut klipptråden

Använd endast en monofilamenttråd med en diameter på 2,0 mm eller en snodd monofilamenttråd med en diameter på 2,4 mm från Toro.

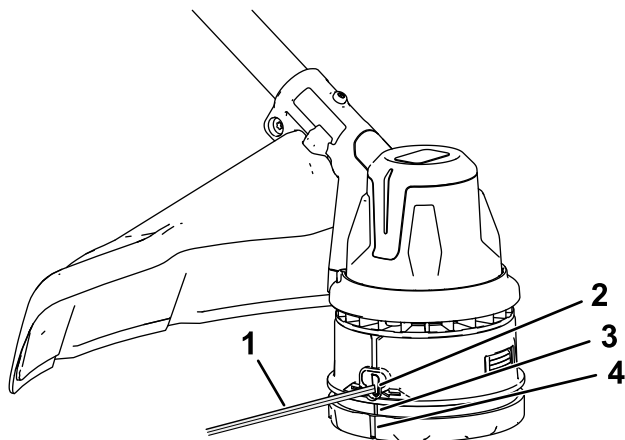
1. Ta bort batteripaketet från trimmern.
2. Ta bort all gammal tråd från spolen genom att upprepade gånger trycka på frammatningshuvudet samtidigt som du drar ut tråden lika mycket från frammatningshuvudets båda sidor.
3. Klipp av en tråd på högst 7,3 m.

Viktigt: Trä inte för mycket tråd på spolen.

Viktigt: Använd inte någon annan tjocklek eller trådtyp eftersom det kan skada trimmern.

4. Tryck på och vrid frammatningshuvudet i den riktning som visas med pilarna (medurs) längst ned på frammatningshuvudet tills markeringarna på sidan av frammatningshuvudet är i linje med markeringarna under hålen ([Figur 15](#)).

5. För in trådens ena ände rakt i hålet och tryck tråden igenom tills den kommer ut ur hålet på andra sidan.



Figur 15

g507694

1. Klipptråd
2. Hål
3. Hålets markering
4. Frammatningshuvudets markering

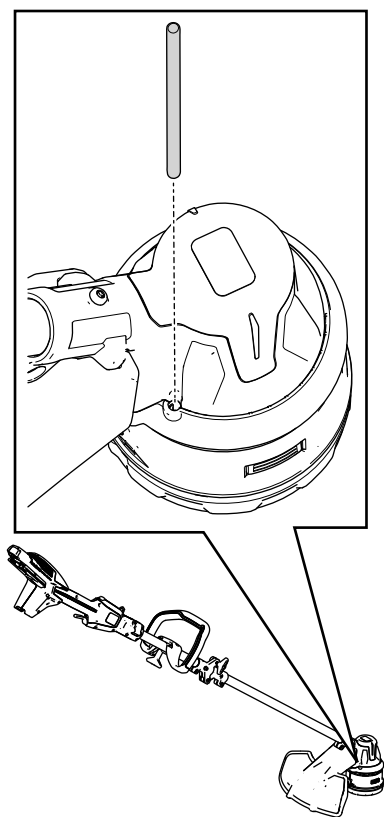
Viktigt: Ta inte isär trimmerhuvudet.

6. Dra tråden genom hålen tills tråden sticker ut lika långt på vardera sidan om trimmerhuvudet.
7. Håll strängtrimmern på plats med ena handen. Vrid med den andra handen trimmerhuvudets botten i pilarnas riktning (medurs) på frammatningshuvudets botten för att linda upp tråden – lämna ca 152 mm utanför hålet på varje sida.

Byte av trimmerhuvud

1. Ta bort batteripaketet från trimmern.
2. För in ett verktyg med liten diameter (t.ex. en skruvmejsel) genom motorhöljet och in i spåret i fläkten för att spärra trimmerhuvudet så att det inte roterar fritt (Figur 16).

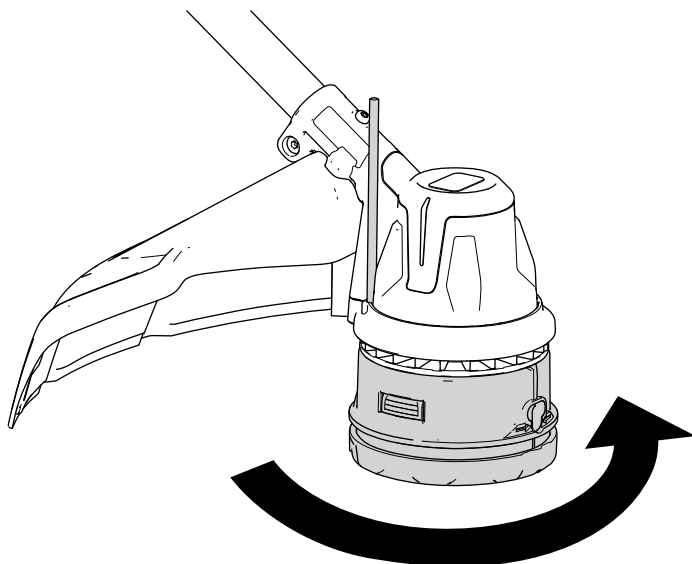
Obs: När verktyget är insatt i hålet roterar du trimmerhuvudet tills du känner att staven faller ner i spåret.



Figur 16

g512077

3. Medan trimmerhuvudet är spärrat med ett verktyg roterar du trimmerhuvudet moturs för att ta bort det från den gängade växelaxeln (Figur 17).



Figur 17

g516022

-
4. Montera det nya trimmerhuvudet genom att rotera det medurs på växelaxeln medan fläkten är spärrad med ett verktyg.

Förvaring

Viktigt: Förvara maskinen, batteriet och laddaren endast i temperaturer som ligger inom rätt intervall. Se [Specifikationer \(sida 17\)](#).

Viktigt: Om du förvarar maskinen i ett år eller längre ska du ta ut batteripaketet ur maskinen och ladda batteripaketet tills en eller två lysdioder lyser grönt på batteriet. Förvara inte ett fulladdat eller helt urladdat batteri. När du är redo att ta maskinen i bruk igen ska batteripaketet laddas tills vänster indikatorlampa på laddaren lyser grönt eller alla fyra lysdioder på batteriet blir gröna.



- Koppla bort maskinen från strömkällan (dvs. avlägsna batteriet) och kontrollera att den inte skadats efter användning.
- Rengör maskinen från allt främmande material.
- Förvara inte maskinen eller laddaren med batteripaket monterat.
- När de inte används ska maskinen, batteripaketet och batteriladdaren förvaras utom räckhåll för barn.
- Håll maskinen, batteripaketet och batteriladdaren på avstånd från frätande medel, som trädgårdskemikalier och vägsalt.
- Minska risken för allvarliga personskador genom att inte förvara batteriet utomhus eller i fordon.
- Förvara maskinen, batteripaketet och batteriladdaren avsides på en ren och torr plats.
- När maskinen är hopfälld för förvaring får den inte hängas i elkablaget.

Förbereda batteripaketet för återvinning

Viktig: När batteripaketet avlägsnas ska polerna täckas över med kraftig tejp. Försök inte att förstöra eller plocka isär batteripaketet eller ta bort någon av dess komponenter.



Kontakta kommunen, din auktoriserade återförsäljare eller distributör för mer information om hur du återvinner batteriet på ett korrekt sätt.

 The logo for Call2Recycle, featuring a circular design with the word "RECYCLE" at the top, "R B R C" in the center, and the phone number "1-800-822-8837" at the bottom. A small battery icon is also present.	Litiumjonbatteripaket som är märkta med Call2Recycle kan återvinnas hos valfri medverkande återförsäljare eller batteriåtervinningsanläggning i Call2Recycle-programmet (endast USA och Kanada). Ring 1-800-822-8837 eller besök www.call2recycle.org för att hitta en medverkande återförsäljare eller anläggning nära dig.
 The logo for HEBattery, featuring a circular design with the text "END-OF-LIFE MANAGEMENT" around the top and "HEBATTERY.ORG" around the bottom. In the center, there is a battery icon with a lightning bolt and the text "LITHIUM ION (Li-ion)".	Litiumjonbatterier märkta med HEB-märket (högenenergibatteri) som visas här, och alla 60 V Flex-Force-batterier på minst 6,0 Ah, kan återvinnas hos valfri återförsäljare som deltar i Call2Recycle HEB-programmet. Du kan hitta en deltagande återförsäljare nära dig på www.hebattery.org .

Om du inte kan hitta en deltagande återförsäljare eller anläggning i närheten, eller om du har frågor om vilket återvinningsprogram som omfattar ditt batteripaket, kan du läsa mer om hur du återvinner batteripaketet på ett ansvarsfullt sätt på kundsupportwebbplatsen som anges i bruksanvisningen för ditt verktyg eller din utrustning.

Om du befinner dig utanför USA och Kanada ber vi dig kontakta din auktoriserade återförsäljare eller distributör för att ta reda på hur du kan återvinna batteripaketet på ett ansvarsfullt sätt.

Felsökning

Utför endast stegen som beskrivs i de här instruktionerna. Alla övriga inspektioner, underhåll och reparationer får endast utföras av en auktoriserad verkstad eller en liknande behörig specialist, om du inte kan lösa problemet själv.

Avlägsna alltid batteriet från verktyget vid felsökning, inspektion, underhåll eller rengöring av verktyget.

Problem	Möjliga orsaker	Åtgärd
Verktyget fungerar inte eller fungerar inte utan avbrott.	<ol style="list-style-type: none">1. Batteriet sitter inte helt på plats i verktyget.2. Batteripaketet är inte laddat.3. Batteriets temperatur ligger över eller under lämpligt temperaturintervall.4. Det finns fukt på batteripaketets kablar.5. Batteripaketet är skadat.6. Det är något annat elektriskt fel på verktyget.	<ol style="list-style-type: none">1. Ta bort och sätt tillbaka batteriet i verktyget, se till att det är korrekt monterat och spärrat.2. Ta ut batteripaketet ur verktyget och ladda det.3. Flytta batteripaketet till en torr plats där temperaturen är mellan 5 °C och 40 °C.4. Låt batteripaketet torka eller torka det på egen hand.5. Byt ut batteripaketet.6. Kontakta en auktoriserad återförsäljare.
Verktyget når inte full kraftförsörjning eller så blir motorhöljet varmt.	<ol style="list-style-type: none">1. Batteripaketets laddningskapacitet är för låg.2. Luftventilerna är blockerade.	<ol style="list-style-type: none">1. Ta ut batteripaketet ur verktyget och ladda batteripaketet helt.2. Rengör luftventilerna.
Verktyget vibrerar eller låter överdrivet mycket.	<ol style="list-style-type: none">1. Det finns skräp under grässkärmen eller i frammatningshuvudets hölje på trimmern.2. Spolen är inte ordentligt upplindad.	<ol style="list-style-type: none">1. Avlägsna eventuellt skräp från under grässkärmen eller i frammatningshuvudets hölje.2. Mata fram tråden med frammatningshuvudet och/eller ta bort tråden från spolen och linda upp den på spolen igen.

Problem	Möjliga orsaker	Åtgärd
Frammatningshuvudet matar inte fram tråden.	<ol style="list-style-type: none"> 1. Tråden är slut i trimmern. 2. Tråden i frammatningshuvudets hölje är trasslad. 3. Det finns skräp under grässkärmen eller i frammatningshuvudets hölje på trimmern. 	<ol style="list-style-type: none"> 1. Tillsätt mer tråd i frammatningshuvudet. 2. Avlägsna frammatningshuvudets kåpa och red ut den hoptrasslade tråden. 3. Avlägsna eventuellt skräp från under grässkärmen eller i frammatningshuvudets hölje.
Batteripaketet laddas snabbt ur.	<ol style="list-style-type: none"> 1. Batteriets temperatur ligger över eller under lämpligt temperaturintervall. 2. Trimmern är överbelastad. 	<ol style="list-style-type: none"> 1. Flytta batteripaketet till en torr plats där temperaturen är mellan 5 °C och 40 °C. 2. Trimma med lägre hastighet.