



EN Flex-Force Power System® 17in 60V MAX
String Trimmer

51838, 51838T

ES Desbrozadora de hilo 60 V MAX de 43 cm
(17") con Flex-Force Power System®

51838, 51838T

FR Débroussailleuse à fil Flex-Force Power
System® 60 V MAX de 43 cm (17 po)

51838, 51838T





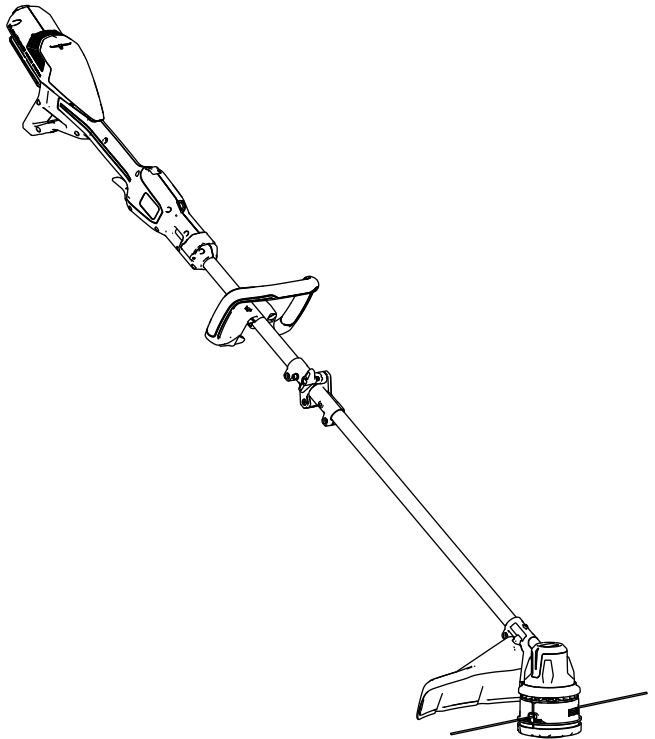
Count on it.

Operator's Manual

Flex-Force Power System[®] 17in 60V MAX String Trimmer

Model No. 51838—Serial No. 326000000 and Up

Model No. 51838T—Serial No. 326000000 and Up





For assistance, please see www.Toro.com/support for instructional resources or contact your Authorized Service Dealer before returning this product.

⚠ WARNING

**CALIFORNIA
Proposition 65 Warning**

The power cord on this product contains lead, a chemical known to the State of California to cause birth defects or other reproductive harm. Wash hands after handling.

Use of this product may cause exposure to chemicals known to the State of California to cause cancer, birth defects, or other reproductive harm.



Introduction

This trimmer is intended to be used by residential homeowners to trim grass as needed outdoors. It is designed to use Flex-Force™ 60V lithium-ion battery packs. These battery packs are designed to be charged only by Flex-Force 60V lithium-ion battery chargers. Using this product for purposes other than its intended use could prove dangerous to you and bystanders.

Important: If you are using this machine with a battery pack that is 8.0 Ah or greater you must install quick-release harness Model 139-5334 (not included) for proper support and balance.

Do not use other harnesses or multiple harnesses when operating the machine.

Model 51838T does not include a battery or a charger.

Read this information carefully to learn how to operate and maintain your product properly and to avoid injury and product damage. You are responsible for operating the product properly and safely.

Visit www.Toro.com for product safety and operation training materials, accessory information, help finding a dealer, or to register your product.

Whenever you need service, genuine the manufacturer parts, or additional information, contact an Authorized Service Dealer or the manufacturer Customer Service and have the model and serial numbers of your product ready. [Figure 1](#) identifies the location of the model and serial numbers on the product. Write the numbers in the space provided.

Important: With your mobile device, you can scan the QR code on the serial number decal (if equipped) to access warranty, parts, and other product information.

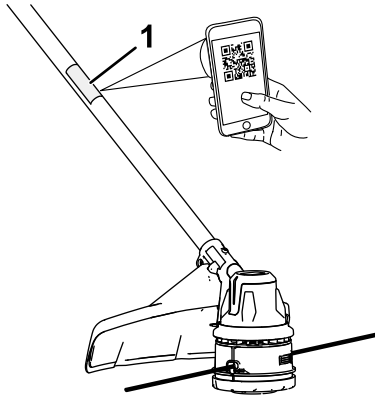


Figure 1

g507019

1. Model number, serial number, and QR code location

Model No. _____
Serial No. _____

Safety-Alert Symbol

The safety-alert symbol (Figure 2) shown in this manual and on the machine identifies important safety messages that you must follow to prevent accidents.



Figure 2
Safety-alert symbol

g000502

The safety-alert symbol appears above information that alerts you to unsafe actions or situations and is followed by the word **DANGER**, **WARNING**, or **CAUTION**.

DANGER indicates an imminently hazardous situation which, if not avoided, **will** result in death or serious injury.

WARNING indicates a potentially hazardous situation which, if not avoided, **could** result in death or serious injury.

CAUTION indicates a potentially hazardous situation which, if not avoided, **may** result in minor or moderate injury.

This manual uses two other words to highlight information. **Important** calls attention to special mechanical information and **Note** emphasizes general information worthy of special attention.

Safety

⚠ WARNING

Read all safety warnings, instructions, illustrations and specifications provided with this machine.

Failure to follow all instructions listed below may result in electric shock, fire and/or serious injury.

Save all warnings and instructions for future reference.

The term “machine” in all the warnings refers to your mains-operated (corded) machine or battery-operated (cordless) machine.

I. Work area safety

- 1. Keep work area clean and well lit.** *Cluttered or dark areas invite accidents.*
- 2. Do not operate machines in explosive atmospheres, such as in the presence of flammable liquids, gases, or dust.** *Machines create sparks which may ignite the dust or fumes.*
- 3. Keep children and bystanders away while operating a machine.** *Distractions can cause you to lose control.*

II. Electrical safety

- 1. Machine plugs must match the outlet. Never modify the plug in any way. Do not use any adapter plugs with earthed (grounded) machines.** *Unmodified plugs and matching outlets will reduce risk of electric shock.*
- 2. Avoid body contact with earthed or grounded surfaces, such as pipes, radiators, ranges and refrigerators.** *There is an increased risk of electric shock if your body is earthed or grounded.*
- 3. Do not expose machines to rain or wet conditions.** *Water entering a machine will increase the risk of electric shock.*
- 4. Do not abuse the cord. Never use the cord for carrying, pulling or unplugging the machine. Keep cord away from heat, oil, sharp edges or moving parts.** *Damaged or entangled cords increase the risk of electric shock.*

5. **When operating a machine outdoors, use an extension cord suitable for outdoor use.** *Use of a cord suitable for outdoor use reduces the risk of electric shock.*
6. **If operating a machine in a damp location is unavoidable, use a residual current device (RCD) protected supply.** *Use of an RCD reduces the risk of electric shock.*

III. Personal safety

1. **Stay alert, watch what you are doing and use common sense when operating a machine. Do not use a machine while you are tired or under the influence of drugs, alcohol, or medication.** *A moment of inattention while operating machines may result in serious personal injury.*
2. **Use personal protective equipment. Always wear eye protection.** *Protective equipment such as a dust mask, non-skid safety shoes, hard hat, or hearing protection used for appropriate conditions reduces personal injuries.*
3. **Prevent unintentional starting. Ensure the switch is in the OFF-position before connecting to power source and/or battery pack, picking up or carrying the tool.** *Carrying machines with your finger on the switch or energizing machines that have the switch on invites accidents.*
4. **Remove any adjusting key or wrench before turning the machine on.** *A wrench or a key left attached to a rotating part of the machine may result in personal injury.*
5. **Do not overreach. Keep proper footing and balance at all times.** *This enables better control of the machine in unexpected situations.*
6. **Dress properly. Do not wear loose clothing or jewelry. Keep your hair and clothing away from moving parts.** *Loose clothes, jewelry, or long hair can be caught in moving parts.*
7. **If devices are provided for the connection of dust extraction and collection facilities, ensure these are connected and properly used.** *Use of dust collection can reduce dust-related hazards.*
8. **Do not let familiarity gained from frequent use of tools allow you to become complacent and ignore tool safety principles.** *A careless action can cause severe injury within a fraction of a second.*

IV. Machine use and care

1. **Do not force the machine. Use the correct machine for your application.** *The correct machine will do the job better and safer at the rate for which it was designed.*
2. **Do not use the machine if the switch does not turn it on and off.** *Any machine that cannot be controlled with the switch is dangerous and must be repaired.*
3. **Disconnect the plug from the power source and/or remove the battery pack, if detachable, from the machine before making any adjustments, changing accessories, or storing machines.** *Such preventive safety measures reduce the risk of starting the machine accidentally.*
4. **Store idle machines out of the reach of children and do not allow persons unfamiliar with the machine or these instructions to operate the machine.** *Machines are dangerous in the hands of untrained users.*
5. **Maintain machines and accessories. Check for misalignment or binding of moving parts, breakage of parts, and any other condition that may affect the machine's operation. If damaged, have the machine repaired before use.** *Many accidents are caused by poorly maintained machines.*
6. **Keep cutting tools sharp and clean.** *Properly maintained cutting tools with sharp cutting edges are less likely to bind and are easier to control.*
7. **Use the machine, accessories, and tool bits etc. in accordance with these instructions, taking into account the working conditions and the work to be performed.** *Use of the machine for operations different from those intended could result in a hazardous situation.*
8. **Keep handles and grasping surfaces dry, clean and free from oil and grease.** *Slippery handles and grasping surfaces do not allow for safe handling and control of the tool in unexpected situations.*

V. Battery tool use and care

1. **Recharge only with the charger specified by the manufacturer.** *A charger that is suitable for one type of battery pack may create a risk of fire when used with another battery pack.*
2. **Use machines only with specifically designated battery packs.** *Use of any other battery packs may create a risk of injury and fire.*
3. **When battery pack is not in use, keep it away from other metal objects, like paper clips, coins, keys, nails, screws or other small metal objects, that can make a connection from one terminal to another.** *Shorting the battery terminals together may cause burns or a fire.*
4. **Under abusive conditions, liquid may be ejected from the battery; avoid contact. If contact accidentally occurs, flush with water. If liquid contacts eyes, additionally seek medical help.** *Liquid ejected from the battery may cause irritation or burns.*
5. **Do not use a battery pack or tool that is damaged or modified.** *Damaged or modified batteries may exhibit unpredictable behavior resulting in fire, explosion or risk of injury.*
6. **Do not expose a battery pack or tool to fire or excessive temperature.** *Exposure to fire or temperature above 130 °C (265 °F) may cause explosion.*
7. **Follow all charging instructions and do not charge the battery pack or tool outside the temperature range specified in the instructions.** *Charging improperly or at temperatures outside the specified range may damage the battery and increase the risk of fire.*

VI. Service

1. **Have your machine serviced by a qualified repair person using only identical replacement parts.** *This will ensure that the safety of the machine is maintained.*
2. **Never service damaged battery packs.** *Service of battery packs should only be performed by the manufacturer or authorized service providers.*

VII. String Trimmer safety

1. **Do not use the machine in bad weather conditions, especially when there is a risk of lightning.** *This decreases the risk of being struck by lightning.*
2. **Thoroughly inspect the area for wildlife where the machine is to be used.** *Wildlife may be injured by the machine during operation.*
3. **Thoroughly inspect the area where the machine is to be used and remove all stones, sticks, wires, bones, and other foreign objects.** *Thrown objects can cause personal injury.*
4. **Before using the machine, always visually inspect to see that the cutter or blade and the cutter or blade assembly are not damaged.** *Damaged parts increase the risk of injury.*
5. **Follow instructions for changing accessories.** *Improperly tightened blade securing nuts or bolts may either damage the blade or result in it becoming detached.*
6. **The rated rotational speed of the blade must be at least equal to the maximum rotational speed marked on the machine.** *Blades running faster than their rated rotational speed can break and fly apart.*
7. **Wear eye, ear, head and hand protection.** *Adequate protective equipment will reduce personal injury by flying debris or accidental contact with the cutting line or blade.*
8. **While operating the machine, always wear non-slip and protective footwear. Do not operate the machine when barefoot or wearing open sandals.** *This reduces the chance of injury to the feet from contact with the moving cutters or lines.*
9. **While operating the machine, always wear safety footwear. Do not operate the machine when barefoot or wearing open sandals.** *This reduces the chance of injury to the feet from contact with a moving cutter, line or blade.*
10. **While operating the machine, always wear long trousers.** *Exposed skin increases the likelihood of injury from thrown objects.*
11. **Keep bystanders away while operating the machine.** *Thrown debris can result in serious personal injury.*
12. **Always use two hands when operating the machine.** *Holding the machine with both hands will avoid loss of control.*
13. **Hold the machine by the insulated gripping surfaces only, because the cutting line or blade may contact hidden wiring.** *Cutting line or blades contacting a "live" wire may make exposed*

metal parts of the machine "live" and could give the operator an electric shock.

14. **Always keep proper footing and operate the machine only when standing on the ground.** *Slippery or unstable surfaces may cause a loss of balance or control of the machine.*
15. **Do not operate the machine on excessively steep slopes.** *This reduces the risk of loss of control, slipping and falling which may result in personal injury.*
16. **When working on slopes, always be sure of your footing, always work across the face of slopes, never up or down and exercise extreme caution when changing direction.** *This reduces the risk of loss of control, slipping and falling which may result in personal injury.*
17. **Keep all parts of the body away from the cutter, line or blade when the machine is operating. Before you start the machine, make sure the cutter, line or blade is not contacting anything.** *A moment of inattention while operating the machine may result in injury to yourself or others.*
18. **Do not operate the machine above waist height.** *This helps prevent unintended cutter or blade contact and enables better control of the machine in unexpected situations.*
19. **When cutting brush or saplings that are under tension, be alert for spring back.** *When the tension in the wood fibers is released, the brush or sapling may strike the operator and/or throw the machine out of control.*
20. **Use extreme caution when cutting brush and saplings.** *The slender material may catch the blade and be whipped toward you or pull you off balance.*
21. **Maintain control of the machine and do not touch cutters, lines or blades and other hazardous moving parts while they are still in motion.** *This reduces the risk of injury from moving parts.*
22. **Carry the machine with the machine switched off and away from your body.** *Proper handling of the machine will reduce the likelihood of accidental contact with a moving trimmer cutter, line or blade.*
23. **Only use replacement cutters, lines, cutting heads and blades specified by the manufacturer.** *Incorrect replacement parts may increase the risk of breakage and injury.*










SAVE THESE INSTRUCTIONS



Decal Symbols



Safety decals and instructions are easily visible to the operator and are located near any area of potential danger. Replace any decal that is damaged or missing.

The following tables describe the safety and instructional symbols that appear on the decals.

String Trimmer Decal Symbol	Explanation
	Thrown objects hazard
	Warning
	Do not operate in wet conditions.
	Do not use metal blades.
15 m (50 ft) 	Keep bystanders at least 15 m (50 ft) away.
	Keep all guards and shields in place.
	Stay away from moving parts.
	Remove the battery pack before performing maintenance.
	Read the <i>Operator's Manual</i> .

	Use flexible line.
	Wear eye and ear protection.

Setup

Loose Parts

Use the chart below to verify that all parts have been shipped.

Procedure	Description	Qty.	Use
1	Connector knob	1	Unfold the shaft.
2	Auxiliary handle assembly	1	Install the auxiliary handle.
3	Guard	1	Install the guard.

Important: The battery pack is not fully charged when you purchase it. Before using the tool for the first time, refer to [Charging the Battery Pack \(page 27\)](#).

1

Unfolding the Shaft

Parts needed for this procedure:

1	Connector knob
---	----------------

Procedure

1. Unfold the shaft (A of [Figure 3](#)).
2. Secure the shaft together at the coupler using the connector knob (B of [Figure 3](#)).

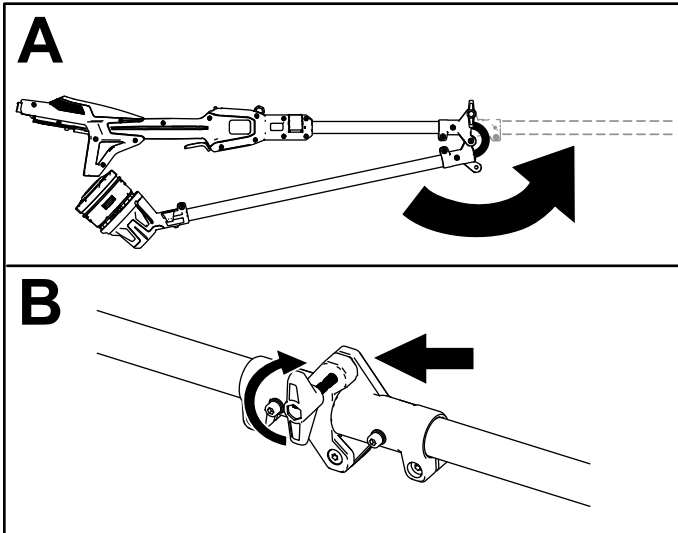


Figure 3

g507675

2

Installing the Auxiliary Handle

Parts needed for this procedure:

1	Auxiliary handle assembly
---	---------------------------

Procedure

1. Separate the auxiliary handle from the handle bracket by unscrewing the handle-lock knob and removing the bolt (A of [Figure 4](#)).

Important: The bolt may be wedged into the plastic of the handle; lightly tap the bottom of the bolt until it is free from the handle.

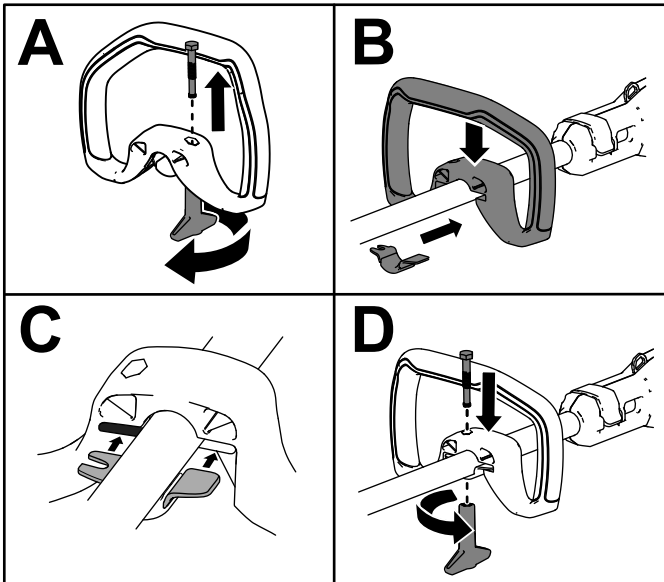


Figure 4

g507673

2. Align the handle bracket with the auxiliary handle (B of [Figure 4](#)).
3. Slide the handle bracket into the slot on the auxiliary handle (C of [Figure 4](#)).
4. Secure the lower handle bracket to the auxiliary handle with the handle-lock knob and the previously removed bolt (D of [Figure 4](#)).

3

Installing the Guard

Parts needed for this procedure:

1	Guard
---	-------

Procedure

Secure the guard onto the base of the trimmer with the 2 screws.

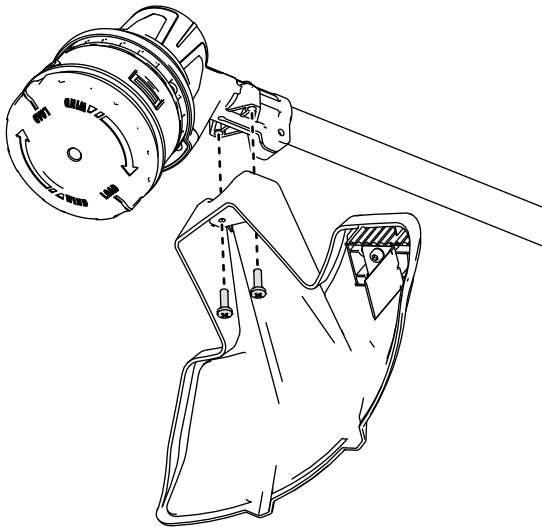


Figure 5

g507687

Product Overview

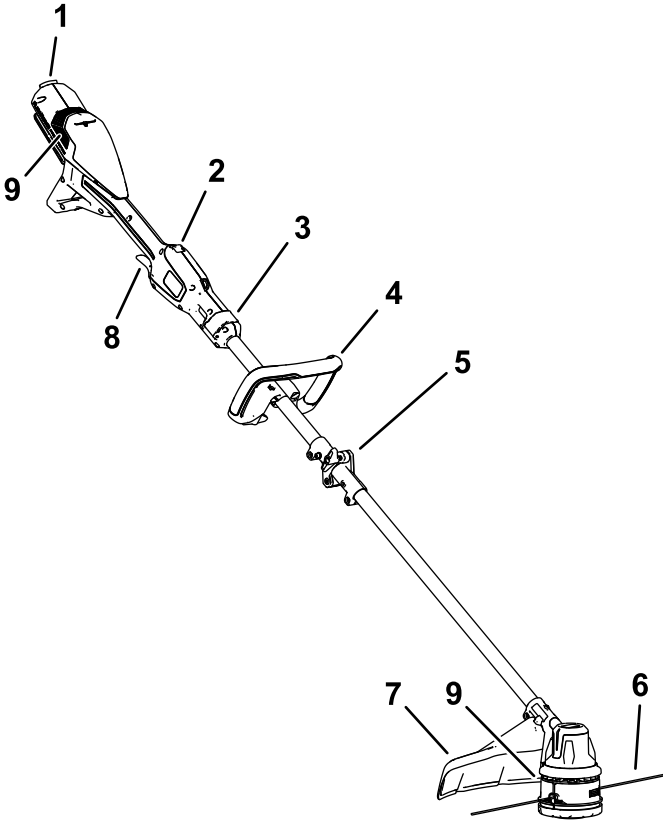
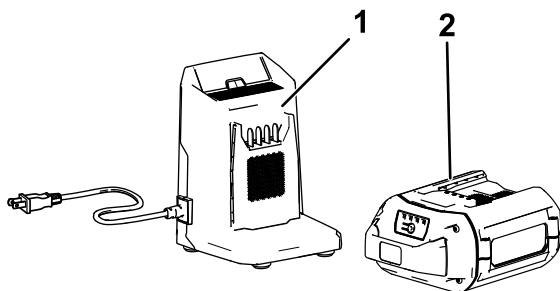


Figure 6

g507020

- | | |
|----------------------|------------------|
| 1. Battery latch | 6. Cutting line |
| 2. Lockout switch | 7. Guard |
| 3. Telescoping latch | 8. Run trigger |
| 4. Auxiliary handle | 9. Trimmer vents |
| 5. Mid-shaft coupler | |



g362427

Figure 7

1. 2.0 Ah battery charger (included with Model 51838)
 2. 2.5Ah battery pack (included with Model 51838)
-

Specifications

Model	51838/T
Rated Voltage	60V DC maximum, 54 VDC nominal usage
Charger Type	Flex-Force 60V lithium-ion chargers
Battery Type	Flex-Force 60V lithium-ion batteries*

If you are using this machine with a battery pack that is 8.0 Ah or greater, you must install quick-release harness Model 139-5334 (not included).

Appropriate Temperature Ranges

Charge/store the battery pack at	5°C (41°F) to 40°C (104°F)*
Use the battery pack at	-30°C (-22°F) to 49°C (120°F)
Use the trimmer at	0°C (32°F) to 49°C (120°F)
Store the trimmer at	0°C (32°F) to 49°C (120°F)*

*Charging time will increase if you do not charge the battery within this range.

Store the tool, battery pack, and battery charger in an enclosed clean, dry area.

Attachments/Accessories

A selection of Toro approved attachments and accessories is available for use with the machine to enhance and expand its capabilities. Contact your Authorized Service Dealer or authorized Toro distributor or go to www.Toro.com for a list of all approved attachments and accessories.

To ensure optimum performance and continued safety certification of the machine, use only genuine Toro replacement parts and accessories. Replacement parts and accessories made by other manufacturers could be dangerous.

Operation

Starting the Trimmer

1. Ensure that the vents on the trimmer are clear of any dust and debris.
2. Align the cavity in the battery pack with the tongue on the power head (Figure 8).
3. Push the battery pack into the power head until the battery locks into the latch (Figure 8).

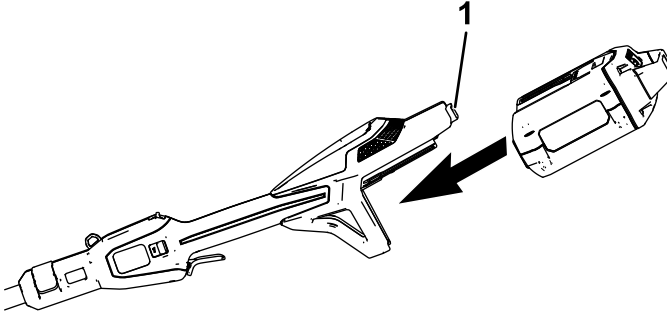


Figure 8

g507688

1. Battery latch

-
4. To start the trimmer, pull back the lockout switch, then squeeze the variable-speed trigger (Figure 9).

Note: Slide the speed range switch to change the speed of the trimmer.

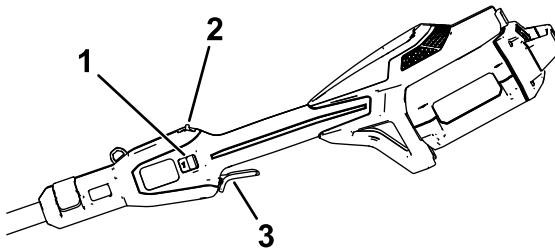


Figure 9

g507689

1. Speed range switch
2. Lockout switch
3. Variable-speed trigger

Shutting Off the Trimmer

To shut off the trimmer, release the trigger and the lockout switch.

Whenever you are not using the trimmer or are transporting the trimmer to or from the work area, remove the battery pack.

Removing the Battery Pack from the Trimmer

Press the battery latch to release the battery pack and slide the battery pack out of the machine (Figure 10).

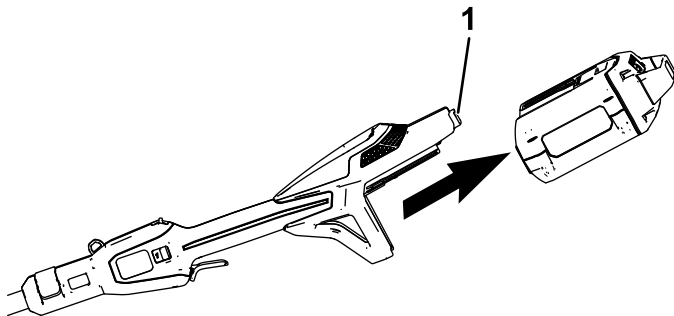


Figure 10

g507691

1. Battery latch
-

Adjusting the Auxiliary Handle Position

1. Loosen the handle-lock knob on the bottom of the auxiliary handle.
2. Adjust the position of the auxiliary handle on the shaft until the trimmer can be held in a neutral, comfortable position while operating.
3. Tighten the handle-lock knob to secure auxiliary handle in place.

Adjusting the Shaft Length

1. Open the telescoping latch at the front of the handle.
2. Extend or retract the shaft until the trimmer can be held in a neutral, comfortable position while operating.
3. Close the telescoping latch to secure the shaft.

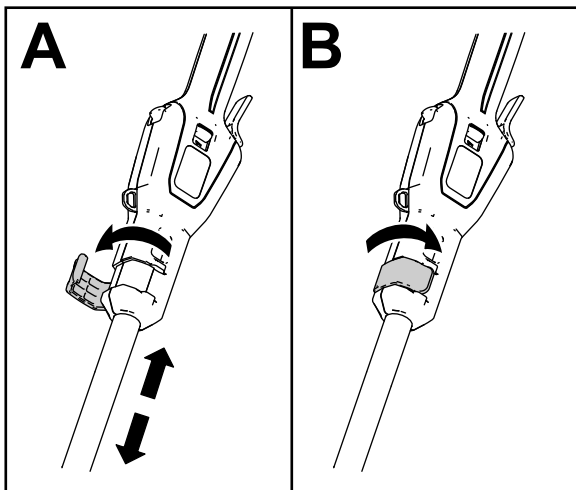


Figure 11

g507705

Advancing the Line Using the Bump Feed

1. Run the tool at full throttle.
2. Tap the bump head on the ground to advance the line. The line advances each time the bump head is tapped.

Important: Do not hold the bump head on the ground while running the trimmer.

Note: The line trimming cut-off blade on the grass deflector cuts the line to the correct length.

Note: If the line is worn too short, you may not be able to advance the line by tapping it on the ground. If so, release both the trigger and the lockout switch and refer to [Advancing the Line Manually](#) (page 24).

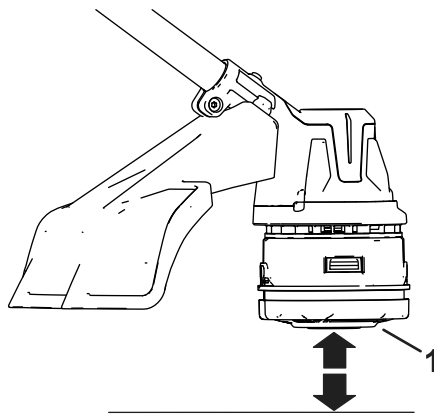


Figure 12

g507693

1. Bump head

Advancing the Line Manually

Remove the battery pack from the trimmer, then push the bump head at the base of the spool retainer while pulling on the trimmer line to manually advance the line.

Using the Shoulder Harness

Important: If you are using the string trimmer with a 8.0 Ah or greater battery pack installed, install a shoulder harness (not included).

Do not use the shoulder harness if you are powering the string trimmer with the backpack and backpack tether; use only the backpack harness.

Connect the clip on the shoulder harness to the attachment eye on top of the handle (Figure 13).

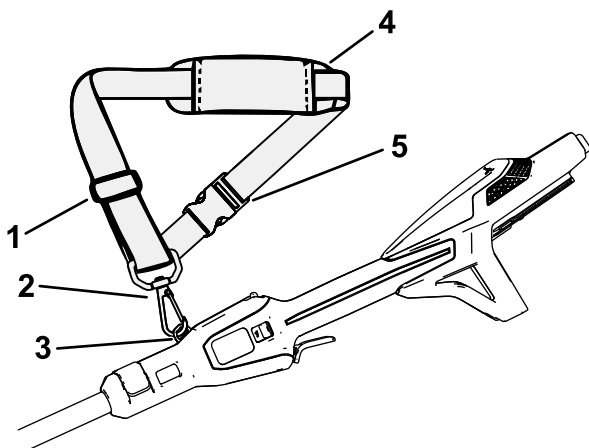


Figure 13

g507529

- | | |
|-------------------|-------------------------|
| 1. Strap adjuster | 4. Shoulder pad |
| 2. Pivot clip | 5. Quick-release buckle |
| 3. Attachment eye | |

The strap length is adjustable; slide the strap adjuster up to decrease the length of the strap, or down to increase the length of the strap (Figure 13).

If there you ever need to rapidly remove the harness, disconnect the quick-release buckle as follows:

1. Press in on the sides of the buckle (A of Figure 14).

2. Allow the buckle to disconnect (B of [Figure 14](#)).

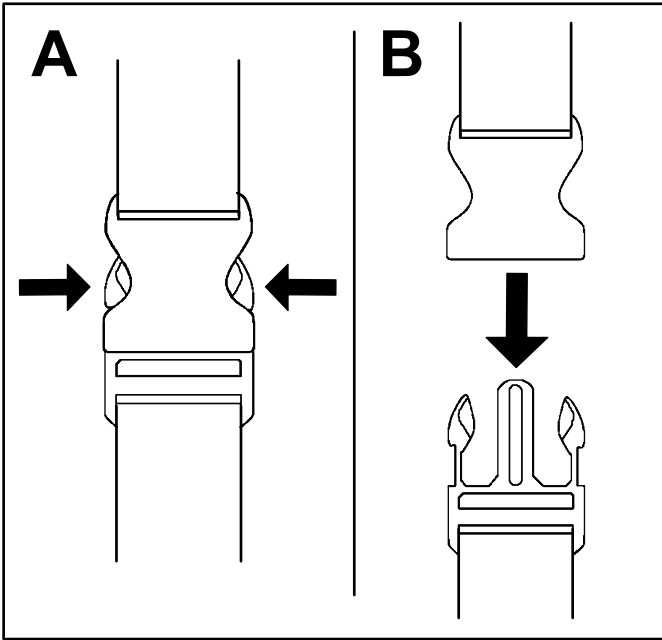


Figure 14

g340477

Charging the Battery Pack

Important: The battery pack is not fully charged when you purchase it. Before using the tool for the first time, place the battery pack in the charger and charge it until the LED display indicates the battery pack is fully charged. Read all safety precautions.

Important: Charge the battery pack only in temperatures that are within the appropriate range; refer to [Specifications \(page 20\)](#).

Note: At any time, press the battery-charge-indicator button on the battery pack to display the current charge (LED indicators).

1. Ensure that the vents and charging terminals on the battery pack and charger are clear of any dust and debris.

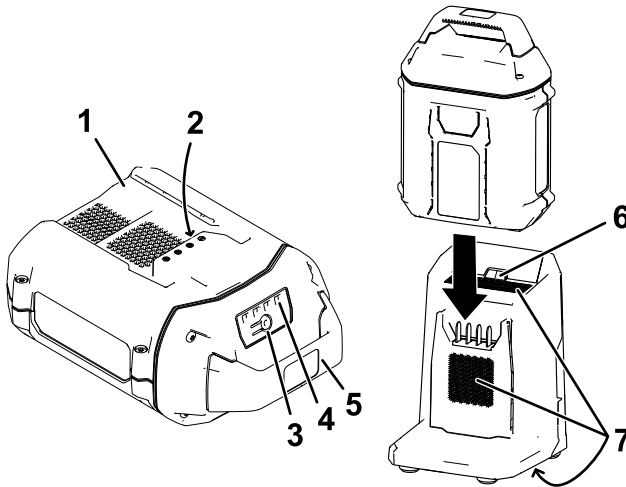




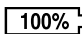



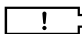

Figure 15

g473274

- | | |
|------------------------------------|--------------------------------|
| 1. Battery-pack cavity | 5. Handle |
| 2. Battery-pack terminals | 6. Charger LED indicator light |
| 3. Battery-charge-indicator button | 7. Charger venting areas |
| 4. LED indicators (current charge) | |
2. Line up the cavity in the battery pack ([Figure 15](#)) with the tongue on the charger.
 3. Slide the battery pack into the charger until it is fully seated ([Figure 15](#)).
 4. To remove the battery pack, slide the battery backward out of the charger.

5. Refer to the following table to interpret the LED indicator light on the battery charger.

Battery Charge Status

Charger Symbol	Indicator Light	Indicates
 	Green blinking	Battery pack is charging
 	Green	Battery pack is charged
 	Red	Battery pack and/or battery charger is over or under the appropriate temperature range
 	Red blinking	Battery pack charging fault*
	Off	No battery pack inserted

*Refer to [Troubleshooting \(page 36\)](#) for more information.

Important: The battery pack can be left on the charger for short periods between uses.

If the battery pack will not be used for longer periods, remove the battery pack from the charger; refer to [Storage \(page 34\)](#).

Operating Tips

- Keep the trimmer tilted toward the area being cut; this is the best cutting area.
- The string trimmer cuts when you move it from right to left. This prevents the trimmer from throwing debris at you.
- Use the tip of the cutting line to do the cutting; do not force the trimmer head into uncut grass.
- Wire and picket fences can cause the cutting line to wear rapidly and even break. Stone and brick walls, curbs, and wood can also cause the cutting line to wear rapidly.
- Avoid trees and shrubs. The cutting line can easily damage tree bark, wood moldings, siding, and fence posts.

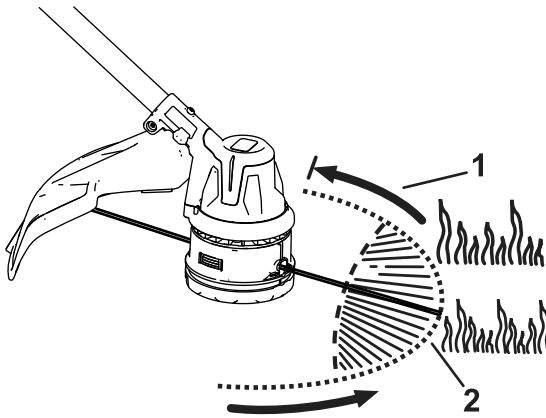


Figure 16

1. Direction of rotation

2. Cutting line path

g507692

Maintenance

After each use of the trimmer, complete the following:

1. Remove the battery pack from the trimmer.
2. Wipe the trimmer clean with a damp cloth. Do not hose the trimmer down or submerge it in water.

⚠ CAUTION

The line cutoff blade on the deflector is sharp and can cut you.

Do not use your hands to clean the deflector shield and blade.

3. Wipe or scrape clean the cutting head area any time there is an accumulation of debris.
4. Check and tighten all fasteners. If any part is damaged or lost, repair or replace it.
5. Brush debris away from air intake vents on the power head and the exhaust on the motor housing to prevent the motor from overheating.

Replacing the Cutting Line

Use only 2.0 mm (0.080 inch) diameter monofilament cutting line or 2.4 mm (0.095 inch) diameter twisted monofilament cutting line from Toro.

1. Remove the battery pack from the trimmer.
2. Remove any existing line on the spool by repetitively pressing the bump head while pulling the line out equally from both sides of the bump head.
3. Cut a piece of line that is no longer than 7.3 m (24 ft).

***Important:* Do not overload the spool.**

***Important:* Do not use any other gauge or type of line, as this could damage the trimmer.**

4. Press and turn the bump head in the direction shown by the arrows (clockwise) on the bottom of the bump head until the marks on the side of the bump head align with the marks beneath the eyelets ([Figure 17](#)).

5. Insert 1 end of the line straight into the eyelet and push the line through until it comes out of the eyelet on the other side.

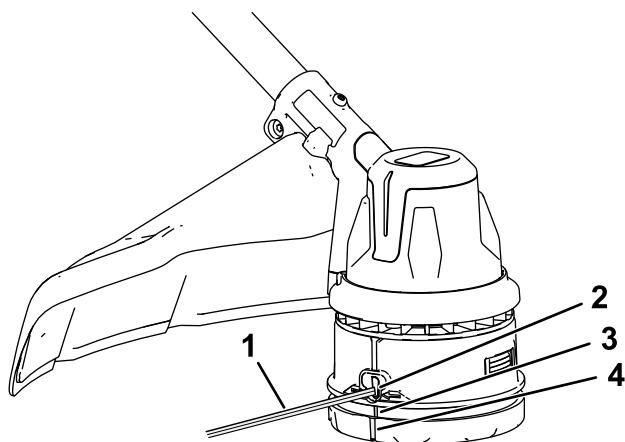


Figure 17

g507694

1. Cutting line
2. Eyelet
3. Eyelet alignment mark
4. Bump head alignment mark

***Important:* Do not disassemble the trimmer head.**

6. Pull the line through the eyelets until there is an equal length of line on each side of the trimmer head.
7. Hold the string trimmer in place with one hand. With your other hand, turn the bottom of the trimmer head in the direction shown by the arrows (clockwise) on the bottom of the bump head to wind the line; leave about 152 mm (6 inches) extending beyond the eyelet on each side.

Replacing the Trimmer Head

1. Remove the battery pack from the trimmer.
2. Insert a small-diameter tool (such as a screwdriver) through the motor housing and into the groove in the fan to secure the trimmer head so it does not freely rotate (Figure 18).

Note: With the tool inserted in the hole, rotate the trimmer head until you feel the rod fall into the groove.

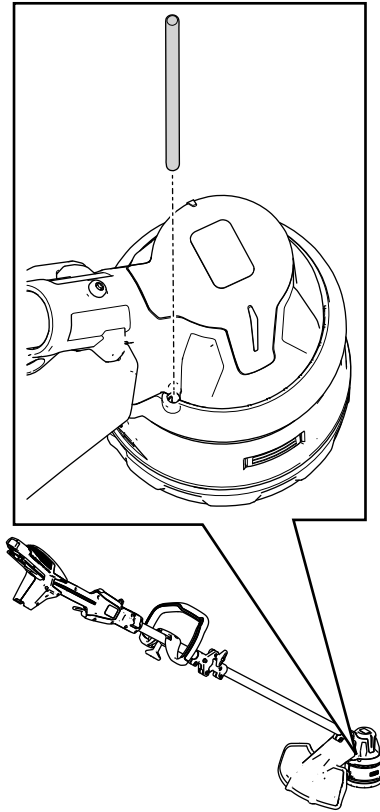


Figure 18

g512077

3. With a tool securing the trimmer head, rotate the trimmer head counterclockwise to remove it from the threaded gearcase post (Figure 19).

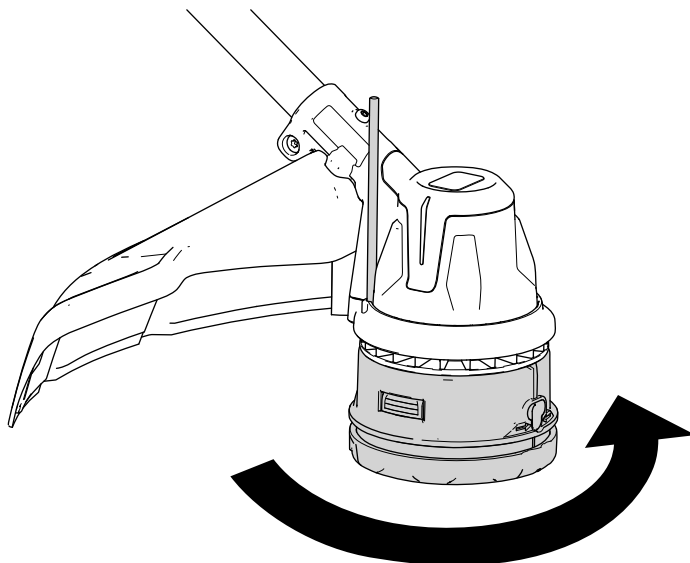


Figure 19

g516022

-
4. To install the new trimmer head, rotate it clockwise onto the gearcase post while securing the fan with a tool.

Storage

Important: Store the machine, battery pack, and charger only in temperatures that are within the appropriate range; refer to [Specifications \(page 20\)](#).

Important: If you are storing the machine for a year or longer, remove the battery pack from the machine and charge the battery pack until 1 or 2 LED indicators turn green on the battery. Do not store a fully charged or fully depleted battery. When you are ready to use the machine again, charge the battery pack until the left indicator light turns green on the charger or all 4 LED indicators turn green on the battery.

- Disconnect the machine from the power supply (i.e., remove the battery pack) and check for damage after use.
- Clean all foreign material from the machine.
- Do not store the machine or charger with the battery pack installed.
- When not in use, store the machine, battery pack, and battery charger out of the reach of children.
- Keep the machine, battery pack, and battery charger away from corrosive agents such as garden chemicals and de-icing salts.
- To reduce the risk of serious personal injury, do not store the battery pack outside or in vehicles.
- Store the machine, battery pack, and battery charger in an enclosed clean, dry area.
- When the machine is folded for storage, do not hang it from the electrical wire harness.

Preparing the Battery Pack for Recycling

Important: Upon removal, cover the terminals of the battery pack with heavy-duty adhesive tape. Do not attempt to destroy or disassemble the battery pack or remove any of its components.



Contact your local municipality or your authorized Authorized Service Dealer or distributor for more information on how to responsibly recycle the battery.

	Lithium-ion battery packs labeled with the Call2Recycle seal can be recycled at any participating retailer or battery recycling facility in the Call2Recycle program (US and Canada only). To locate a participating retailer or facility closest to you, please call 1-800-822-8837 or visit www.call2recycle.org .
	Lithium-ion battery packs labeled with the High Energy Battery (HEB) seal shown here, and any 60V Flex-Force batteries 6.0 Ah or greater, can be recycled at any participating dealer or retailer in the Call2Recycle HEB program. To locate a participating dealer or retailer closest to you, please visit www.hebattery.org .

If you cannot locate a participating retailer or facility nearby, or have questions about which recycling program your battery pack may qualify for, please visit the customer support site listed in the operator's manual for your tool/equipment for more information on how to responsibly recycle the battery pack.

If you are located outside of the US and Canada, please contact your Authorized Service Dealer or distributor for more information on how to responsibly recycle the battery pack.

Troubleshooting

Perform only the steps described in these instructions. All further inspection, maintenance, and repair work must be performed by an authorized service center or a similarly qualified specialist if you cannot solve the problem yourself.

Always remove the battery from the tool when troubleshooting, inspecting, maintaining, or cleaning the tool.

Problem	Possible Cause	Corrective Action
The tool does not run or does not run continuously.	<ol style="list-style-type: none">1. The battery is not fully installed in the tool.2. The battery pack is not charged.3. The battery pack is over or under the appropriate temperature range.4. There is moisture on the leads of the battery pack.5. The battery pack is damaged.6. There is another electrical problem with the tool.	<ol style="list-style-type: none">1. Remove and then replace the battery into the tool, making sure that it is fully installed and latched.2. Remove the battery pack from the tool and charge it.3. Move the battery pack to a place where it is dry and the temperature is between 5°C (41°F) and 40°C (104°F).4. Allow the battery pack to dry or wipe it dry.5. Replace the battery pack.6. Contact an Authorized Service Dealer.
The tool does not reach full power or the motor housing is getting hot.	<ol style="list-style-type: none">1. The battery pack charge capacity is too low.2. The air vents are blocked.	<ol style="list-style-type: none">1. Remove the battery pack from the tool and fully charge the battery pack.2. Clean the air vents.

Problem	Possible Cause	Corrective Action
The tool is producing excessive vibration or noise.	<ol style="list-style-type: none"> 1. There is debris under the grass shield or in the bump head housing on the trimmer. 2. The spool is not properly wound. 	<ol style="list-style-type: none"> 1. Clean any debris from under the grass shield or in the bump head housing. 2. Advance the line using the bump head and/or remove the line on the spool and wind the spool again.
The bump head does not advance the line.	<ol style="list-style-type: none"> 1. The trimmer is out of line. 2. The line is tangled in the bump head housing. 3. There is debris under the grass shield or in the bump head housing on the trimmer. 	<ol style="list-style-type: none"> 1. Add more line to the bump head. 2. Remove the bump head cover and untangle the line. 3. Clean any debris from under the grass shield or in the bump head housing.
The battery pack loses charge quickly.	<ol style="list-style-type: none"> 1. The battery pack is over or under the appropriate temperature range. 2. The trimmer is overloaded. 	<ol style="list-style-type: none"> 1. Move the battery pack to a place where it is dry and the temperature is between 5°C (41°F) and 40°C (104°F). 2. Trim at a slower pace.
The battery charger is not working.	<ol style="list-style-type: none"> 1. The battery charger is over or under the appropriate temperature range. 2. The outlet that the battery charger is plugged into does not have power. 	<ol style="list-style-type: none"> 1. Unplug the battery charger and move it to a place where it is dry and the temperature is between 5°C (41°F) and 40°C (104°F). 2. Contact your licensed electrician to repair the outlet.
The LED indicator light on the battery charger is red.	<ol style="list-style-type: none"> 1. The battery charger and/or battery pack is over or under the appropriate temperature range. 	<ol style="list-style-type: none"> 1. Unplug the battery charger and move the battery charger and battery pack to a place where it is dry and the temperature is between 5°C (41°F) and 40°C (104°F).

Problem	Possible Cause	Corrective Action
<p>The LED indicator light on the battery charger is blinking red.</p>	<ol style="list-style-type: none"> 1. There is an error in the communication between the battery pack and the charger. 2. The battery pack is weak. 	<ol style="list-style-type: none"> 1. Remove the battery pack from the battery charger, unplug the battery charger from the outlet, and wait 10 seconds. Plug the battery charger into the outlet again and place the battery pack on the battery charger. If the LED indicator light on the battery charger is still blinking red, repeat this procedure again. If the LED indicator light on the battery charger is still blinking red after 2 attempts, properly dispose of the battery pack at a battery recycling facility. 2. Properly dispose of the battery pack at a battery recycling facility.

California Proposition 65 Warning Information

What is this warning?

You may see a product for sale that has a warning label like the following:



WARNING: Cancer and Reproductive Harm—www.p65Warnings.ca.gov.

What is Prop 65?

Prop 65 applies to any company operating in California, selling products in California, or manufacturing products that may be sold in or brought into California. It mandates that the Governor of California maintain and publish a list of chemicals known to cause cancer, birth defects, and/or other reproductive harm. The list, which is updated annually, includes hundreds of chemicals found in many everyday items. The purpose of Prop 65 is to inform the public about exposure to these chemicals.

Prop 65 does not ban the sale of products containing these chemicals but instead requires warnings on any product, product packaging, or literature with the product. Moreover, a Prop 65 warning does not mean that a product is in violation of any product safety standards or requirements. In fact, the California government has clarified that a Prop 65 warning "is not the same as a regulatory decision that a product is 'safe' or 'unsafe.'" Many of these chemicals have been used in everyday products for years without documented harm. For more information, go to <https://oag.ca.gov/prop65/faqs-view-all>.

A Prop 65 warning means that a company has either (1) evaluated the exposure and has concluded that it exceeds the "no significant risk level"; or (2) has chosen to provide a warning based on its understanding about the presence of a listed chemical without attempting to evaluate the exposure.

Does this law apply everywhere?

Prop 65 warnings are required under California law only. These warnings are seen throughout California in a wide range of settings, including but not limited to restaurants, grocery stores, hotels, schools, and hospitals, and on a wide variety of products. Additionally, some online and mail order retailers provide Prop 65 warnings on their websites or in catalogs.

How do the California warnings compare to federal limits?

Prop 65 standards are often more stringent than federal and international standards. There are various substances that require a Prop 65 warning at levels that are far lower than federal action limits. For example, the Prop 65 standard for warnings for lead is 0.5 µg/day, which is well below the federal and international standards.

Why don't all similar products carry the warning?

- Products sold in California require Prop 65 labelling while similar products sold elsewhere do not.
- A company involved in a Prop 65 lawsuit reaching a settlement may be required to use Prop 65 warnings for its products, but other companies making similar products may have no such requirement.
- The enforcement of Prop 65 is inconsistent.
- Companies may elect not to provide warnings because they conclude that they are not required to do so under Prop 65; a lack of warnings for a product does not mean that the product is free of listed chemicals at similar levels.

Why does Toro include this warning?

Toro has chosen to provide consumers with as much information as possible so that they can make informed decisions about the products they buy and use. Toro provides warnings in certain cases based on its knowledge of the presence of one or more listed chemicals without evaluating the level of exposure, as not all the listed chemicals provide exposure limit requirements. While the exposure from Toro products may be negligible or well within the "no significant risk" range, out of an abundance of caution, Toro has elected to provide the Prop 65 warnings. Moreover, if Toro does not provide these warnings, it could be sued by the State of California or by private parties seeking to enforce Prop 65 and subject to substantial penalties.



Count on it.



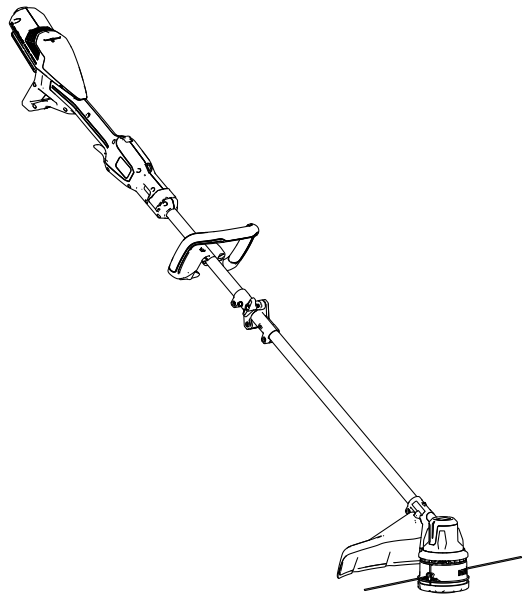
Count on it.

Manual del operador

Desbrozadora de hilo 60 V MAX de 43 cm (17") con Flex-Force Power System®

Nº de modelo 51838—Nº de serie 326000000 y superiores

Nº de modelo 51838T—Nº de serie 326000000 y superiores



Registre su producto en
www.Toro.com.
Traducción del original (ES)





**Para obtener ayuda,
consulte los recursos
instruccionales
disponibles en
www.Toro.com/support
o póngase en contacto
con su Servicio Técnico
Autorizado antes de
devolver este producto.**

⚠ ADVERTENCIA

CALIFORNIA

Advertencia de la Propuesta 65

**El cable eléctrico de este producto contiene plomo,
que el Estado de California sabe que causa defectos
congénitos u otros peligros para la reproducción. Lávese
las manos después de manejar el material.**

**El uso de este producto puede provocar la exposición
a sustancias químicas que el Estado de California
considera causantes de cáncer, defectos congénitos u
otros trastornos del sistema reproductor.**



Introducción

Esta desbrozadora está diseñada para ser usada por usuarios domésticos para cortar la hierba en espacios exteriores. Está diseñado para usar baterías de ion litio Flex-Force™ 60 V. Estas baterías están diseñadas para ser cargadas únicamente con cargadores de baterías de ion litio Flex-Force 60V. El uso de este producto para otros propósitos que los previstos podría ser peligroso para usted y para otras personas.

Importante: Si utiliza esta máquina con una batería de 8.0 Ah o más, debe instalar el arnés de liberación rápida modelo 139-5334 (no incluido) para asegurar una sujeción y equilibrio correctos.

No utilice otros arneses, ni utilice múltiples arneses, durante la operación de la máquina.

El modelo 51838T no incluye batería ni cargador.

Lea este manual detenidamente para aprender a utilizar y mantener correctamente su producto, y para evitar lesiones y daños al producto. Usted es responsable de utilizar el producto de forma correcta y segura.

Visite www.Toro.com para buscar materiales de formación y seguridad o información sobre accesorios, para localizar un distribuidor o para registrar su producto.

Si necesita asistencia técnica, piezas genuinas del fabricante o información adicional, póngase en contacto con un Servicio Técnico Autorizado o con el Servicio de atención al cliente del fabricante y tenga a mano el número de serie y de modelo del producto. [Figura 1](#) identifica la ubicación de los números de modelo y serie en el producto. Escriba los números en el espacio provisto.

Importante: Con su dispositivo móvil, puede escanear el código QR de la pegatina del número de serie (en su caso) para acceder a información sobre la garantía, las piezas, y otra información sobre el producto.

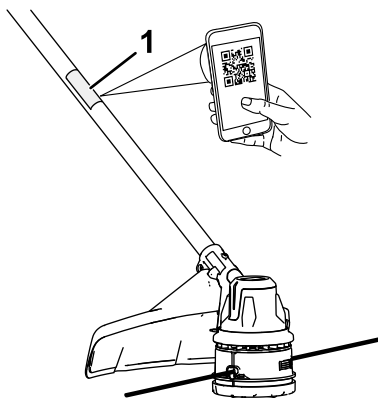


Figura 1

g507019

1. Ubicación del número de modelo, el número de serie y el código QR

Nº de modelo _____

Nº de serie _____

Símbolo de alerta de seguridad

El símbolo de alerta de seguridad (Figura 2) que aparece en este manual y en la máquina identifica mensajes de seguridad importantes que usted debe observar para evitar accidentes.



Figura 2

Símbolo de alerta de seguridad

g000502

El símbolo de alerta de seguridad aparece encima de información que le alerta ante acciones o situaciones inseguras, y va seguido de la palabra **PELIGRO, ADVERTENCIA, o CUIDADO**.

PELIGRO: Indica una situación peligrosa inminente, que si no se evita, **causará** la muerte o lesiones graves.

ADVERTENCIA indica una situación potencialmente peligrosa que si no se evita, **podría** causar la muerte o lesiones graves.

CUIDADO: Indica una situación potencialmente peligrosa que si no se evita, **podría** causar lesiones menores o moderadas.

Este manual utiliza dos palabras más para resaltar información.

Importante llama la atención sobre información mecánica especial, y

Nota resalta información general que merece una atención especial.

Seguridad

▲ ADVERTENCIA

Por favor, lea todos los avisos de seguridad, instrucciones, ilustraciones y especificaciones suministrados con la máquina.

El hacer caso omiso de todas las instrucciones enumeradas a continuación puede dar lugar a descargas eléctricas, incendios y/o lesiones graves.

Guarde todas las advertencias e instrucciones para su referencia futura.

El término “máquina” en todas las advertencias hace referencia a las máquinas que se conectan a la red eléctrica y a las que funcionan a batería.

I. Seguridad de la zona de trabajo

- 1. Mantenga la zona de trabajo limpia y bien iluminada.** *Las zonas desordenadas u oscuras son una invitación al accidente.*
- 2. No opere las máquinas en atmósferas explosivas, por ejemplo en presencia de líquidos, gases o polvos combustibles.** *Las máquinas pueden generar chispas con potencial para encender el polvo o los vapores.*
- 3. Mantenga a los niños y transeúntes alejados mientras opera una máquina.** *Las distracciones pueden hacer que pierda el control.*

II. Seguridad eléctrica

- 1. Las clavijas de la máquina deben coincidir con el enchufe. Nunca modifique las clavijas en modo alguno. No utilice adaptadores con máquinas conectadas a tierra.** *El uso de clavijas sin modificar y enchufes apropiados reducirá el riesgo de descarga eléctrica.*
- 2. Evite tocar superficies conectadas a tierra, tales como tuberías, radiadores, cocinas y refrigeradores.** *Hay un mayor riesgo de descarga eléctrica si su cuerpo hace tierra.*
- 3. No exponga las máquinas a la lluvia o la humedad.** *El ingreso de agua a la máquina puede aumentar el riesgo de descarga eléctrica.*
- 4. No maltrate el cable. Nunca utilice el cable para transportar, desenchufar o tirar de la máquina. Mantenga el cable alejado del calor, del aceite, de bordes cortantes y de piezas móviles.**

Los cables dañados o enredados aumentan el riesgo de descarga eléctrica.

- 5. Al operar una máquina a la intemperie, utilice un alargador apto para uso en exteriores.** *El uso de un cable apropiado para el uso en exteriores reduce el riesgo de descarga eléctrica.*
- 6. Si operar la máquina en un lugar húmedo es inevitable, utilice una fuente de suministro protegida por un dispositivo de corriente residual (RCD).** *El uso de un RCD reduce el riesgo de descarga eléctrica.*

III. Seguridad personal

- 1. Manténgase alerta, preste atención a lo que esté haciendo y aplique el sentido común al operar una máquina. No utilice una máquina si está cansado/a o bajo la influencia de drogas, alcohol o medicamentos.** *Un momento de desatención al operar una máquina puede causar lesiones graves.*
- 2. Utilice equipos de protección personal. Lleve siempre protección ocular.** *El uso de equipos de protección personal como mascarillas, calzado de seguridad antideslizante, casco y protección auditiva en condiciones apropiadas reduce el riesgo de lesiones personales.*
- 3. Evite el encendido accidental. Asegúrese de que el interruptor está en la posición de APAGADO antes de conectar la herramienta a la toma de corriente y/o a la batería, y antes de levantar o transportar la herramienta.** *Transportar máquinas con un dedo en el interruptor o enchufar máquinas con el interruptor encendido aumenta el riesgo de accidentes.*
- 4. Retire cualquier llave de ajuste antes de encender la máquina.** *Una llave acoplada a una parte rotativa de la máquina puede causar lesiones.*
- 5. No intente alcanzar zonas demasiado alejadas. Pise firme y mantenga el equilibrio en todo momento.** *Esto posibilita un mejor control de la máquina en situaciones inesperadas.*
- 6. Utilice la ropa adecuada. No lleve ropas o joyas sueltas. Mantenga el pelo y la ropa alejados de las piezas móviles.** *La ropa suelta, las joyas y el pelo largo pueden quedar atrapados en piezas móviles.*
- 7. Si existen dispositivos para la conexión de sistemas de recogida y extracción de polvo, asegúrese de conectarlos y usarlos correctamente.** *El uso de dispositivos de recolección de polvo puede reducir los riesgos asociados con el polvo.*

8. **No deje que la familiaridad adquirida con el uso frecuente de las herramientas le haga confiarse demasiado y pasar por alto los principios de seguridad de las herramientas.** *Una acción descuidada puede causar lesiones graves en una fracción de un segundo.*

IV. Uso y cuidado de la máquina

1. **No fuerce la máquina. Utilice la máquina correcta para cada aplicación.** *La máquina correcta hará mejor y de manera más segura el trabajo para el que fue diseñada.*
2. **No utilice la máquina si el interruptor de encendido/apagado no funcionara correctamente.** *Cualquier máquina que no pueda controlarse con su interruptor es peligrosa y debe ser reparada.*
3. **Desconecte el enchufe de la fuente de alimentación y/o retire las baterías (si fueran desmontables) de la máquina antes de hacer ajustes, cambiar accesorios o almacenarla.** *Estas medidas de seguridad preventivas reducen el riesgo de encendido accidental.*
4. **Guarde las máquinas apagadas fuera del alcance de niños, y no permita su operación por personas no familiarizadas con la máquina o con sus instrucciones de uso.** *Las máquinas son peligrosas en manos de usuarios no entrenados.*
5. **Realice el mantenimiento de máquinas y accesorios. Verifique que las partes móviles no estén desalineadas o atoradas, que no haya roturas, y cualquier otra condición que pueda afectar la operación de la máquina. En caso de daños, haga reparar la máquina antes de usarla.** *Muchos accidentes son provocados por un mantenimiento inadecuado.*
6. **Mantenga las herramientas de corte afiladas y limpias.** *Una herramienta de corte bien mantenida con filos bien afilados es más fácil de controlar y hay menos probabilidades de que se agarrote.*
7. **Utilice la máquina, sus accesorios, brocas, etc. de conformidad con estas instrucciones, teniendo en cuenta las condiciones de trabajo y las tareas a realizar.** *El uso de la máquina para operaciones diferentes de las previstas podría derivar en una situación riesgosa.*
8. **Mantenga las asas, empuñaduras y otras superficies de agarre secas, limpias y libres de aceite y grasa.** *Una asa o superficie de agarre resbaladiza no permite manejar y controlar la herramienta con seguridad en situaciones imprevistas.*

V. Uso y cuidado de las herramientas a batería

1. **Recargar únicamente con el cargador especificado por el fabricante.** *Un cargador diseñado para un tipo de batería puede crear un riesgo de incendio si se utiliza con otra batería.*
2. **Utilice las máquinas únicamente con las baterías designadas específicamente.** *El uso de otra batería puede crear un riesgo de incendio y lesiones.*
3. **Cuando la batería no está en uso, manténgala alejada de otros objetos metálicos, como por ejemplo clips, monedas, llaves, puntillas u otros objetos metálicos pequeños, que podrían hacer una conexión entre un terminal y otro.** *Un cortocircuito entre los terminales de la batería puede causar quemaduras o un incendio.*
4. **En condiciones de uso incorrecto, puede haber una fuga de líquido de la batería; evite el contacto con dicho líquido. En caso de un contacto accidental, lavar con abundante agua. Si el líquido entra en contacto con los ojos, busque también ayuda médica.** *El líquido expulsado de la batería puede causar irritación o quemaduras.*
5. **No utilice una batería o una herramienta dañada o modificada.** *Las baterías dañadas o modificadas podrían mostrar un comportamiento impredecible con resultado de incendio, explosión o riesgo de lesiones.*
6. **No exponga una batería o un cargador al fuego o a temperaturas excesivas.** *La exposición al fuego o a temperaturas superiores a los 130 °C (265 °F) puede causar una explosión.*
7. **Siga todas las instrucciones de carga y no cargue la batería o la herramienta si la temperatura está fuera del intervalo especificado en las instrucciones.** *El cargar de forma incorrecta o a temperaturas fuera del intervalo especificado puede dañar la batería y aumentar el riesgo de incendio.*

VI. Mantenimiento

1. **Realice el mantenimiento de su máquina con un técnico calificado y utilizando piezas de repuesto originales.** *Esto garantizará que la máquina continúe funcionando de manera segura.*
2. **No realice ningún tipo de mantenimiento en una batería dañada.** *El mantenimiento de las baterías sólo debe ser realizado por el fabricante o por un servicio técnico autorizado.*

VII. Seguridad para desbrozadoras de hilo

1. **No utilice la máquina bajo condiciones climáticas adversas, en especial si hay riesgo de tormenta eléctrica.** *Esto reduce el riesgo de ser alcanzado por un rayo.*
2. **Inspeccione cuidadosamente la zona en la que va a utilizar la máquina en busca de fauna salvaje.** *La máquina puede causar lesiones a la fauna salvaje durante el uso.*
3. **Inspeccione detenidamente la zona en la que va a utilizar la máquina, y retire cualquier piedra, palo, alambre, hueso u otro objeto extraño.** *Los objetos arrojados pueden causar lesiones personales.*
4. **Antes de usar la máquina, realice siempre una inspección visual para comprobar que el conjunto de cortador o cuchilla no está dañado.** *Las piezas dañadas aumentan el riesgo de lesiones.*
5. **Siga las instrucciones al cambiar accesorios.** *Si los pernos o las tuercas que sujetan la cuchilla no están correctamente apretados, la cuchilla puede sufrir daños o desprenderse.*
6. **La velocidad rotacional nominal de la cuchilla debe ser como mínimo igual a la velocidad rotacional máxima marcada en la máquina.** *Si una cuchilla rota a mayor velocidad que su velocidad rotacional nominal, puede romperse y saltar en pedazos.*
7. **Lleve protección para los ojos, la cabeza y las manos.** *Unos equipos de protección adecuados reducen las lesiones personales causadas por residuos lanzados al aire o por el contacto accidental con el hilo de corte o la cuchilla.*
8. **Al operar la máquina, utilice en todo momento calzado de protección antideslizante. No opere la máquina descalzo o con calzado abierto.** *Esto reduce la posibilidad de sufrir lesiones en los pies por contacto con el cortador o el hilo de corte en movimiento.*
9. **Lleve siempre calzado de seguridad mientras usa la máquina. No utilice la máquina descalzo o con sandalias abiertas.** *Esto reduce la posibilidad de sufrir lesiones en los pies por contacto con un cortador, un hilo de corte o una cuchilla en movimiento.*
10. **Mientras utiliza la máquina debe llevar siempre pantalón largo.** *La piel expuesta aumenta la posibilidad de sufrir lesiones debido a los objetos arrojados.*
11. **No deje que se acerquen otras personas mientras la máquina está en uso.** *Los residuos arrojados pueden causar lesiones personales graves.*

12. **Utilice siempre las dos manos para manejar el aparato.** *Para evitar la pérdida de control, agarre la máquina con ambas manos.*
13. **Agarre la máquina únicamente por las superficies de agarre aisladas, porque el hilo de corte o la cuchilla podría entrar en contacto con cables ocultos.** *Si un hilo de corte o una cuchilla entra en contacto con un cable eléctrico con corriente, las partes metálicas expuestas de la máquina también podrían tener corriente y el operador podría recibir una descarga eléctrica.*
14. **Siempre pise firme y utilice la máquina únicamente con los dos pies en el suelo.** *Las superficies resbaladizas o inestables pueden hacerle perder el equilibrio o el control de la máquina.*
15. **No utilice la máquina en pendientes excesivamente empinadas.** *Esto reduce el riesgo de pérdida de control, resbalamiento y caída, lo cual puede causar lesiones personales.*
16. **Al trabajar en pendientes, asegúrese siempre de pisar firme, trabaje siempre de lado a lado, nunca de arriba a abajo, y extreme la precaución al cambiar de dirección.** *Esto reduce el riesgo de pérdida de control, resbalamiento y caída, lo cual puede causar lesiones personales.*
17. **Mantenga todas las partes del cuerpo alejadas del cortador, del hilo de corte o de la cuchilla mientras la máquina está en marcha.** *Antes de arrancar la máquina, asegúrese de que el cortador, el hilo de corte o la cuchilla no está en contacto con ningún objeto.* *Una breve falta de atención mientras utiliza la máquina podría provocar lesiones a usted mismo o a otras personas.*
18. **No utilice la máquina por encima de la altura de cintura.** *Esto ayuda a evitar un contacto involuntario con el cortador o la cuchilla y permite un mayor control de la máquina en situaciones imprevistas.*
19. **Al cortar matas o plantones que estén bajo tensión, tenga cuidado por si se liberan repentinamente.** *Al liberarse la tensión en las fibras de la madera, la mata o el plantón puede rebotar y golpear al operador y/o hacer que pierda el control de la máquina.*
20. **Extreme las precauciones al cortar matas y plantones.** *La cuchilla podría engancharse en las ramas delgadas y lanzarlas como un latigazo hacia usted, o hacerle perder el equilibrio.*
21. **Mantenga el control de la máquina y no toque el cortador, el hilo de corte, la cuchilla u otros componentes peligrosos mientras están en movimiento.** *Esto reduce el riesgo de lesiones causadas por las piezas móviles.*
22. **Transporte la máquina con la máquina apagada y alejada del cuerpo.** *Un manejo correcto de la máquina reducirá la posibilidad de*

un contacto accidental con el cortador, el hilo de corte o la cuchilla de la desbrozadora mientras están en movimiento.

23. **Utilice solamente los cortadores, hilos, cabezales de corte y cuchillas de repuesto especificados por el fabricante.** *Una pieza de repuesto incorrecta puede aumentar el riesgo de rotura y lesiones.*






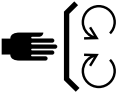



GUARDE ESTAS INSTRUCCIONES



Símbolos de las calcomanías



Las calcomanías de seguridad e instrucciones están a la vista del operador y están ubicadas cerca de cualquier zona de peligro potencial. Sustituya cualquier calcomanía que esté dañada o que falte.

En las siguientes tablas se describen los símbolos de seguridad que aparecen en las calcomanías.

Calcomanía con símbolo de la desbrozadora de hilo	Explicación
	Peligro de objetos arrojados
	Advertencia
	No utilice la máquina en condiciones húmedas.
	No utilice cuchillas metálicas.
<p>15 m (50 ft)</p> 	Mantenga a otras personas a una distancia mínima de 15 m (50') de la máquina.
	Mantenga colocados todos los protectores y defensas.
	Manténgase alejado de las piezas en movimiento.
	Retire la batería antes de realizar cualquier tarea de mantenimiento.
	Lea el <i>Manual del operador</i> .

	Usar línea flexible.
	Lleve protección ocular y auditiva.

Montaje

Piezas sueltas

Utilice la tabla siguiente para verificar que no falta ninguna pieza.

Procedimiento	Descripción	Cant.	Uso
1	Pomo del conector	1	Despliegue del mango.
2	Empuñadura auxiliar	1	Instalación de la empuñadura auxiliar.
3	Protector	1	Instalación del protector.

Importante: En el momento de la compra la batería no está totalmente cargada. Antes de usar la herramienta por primera vez, consulte [Carga de la batería \(página 29\)](#).

1

Despliegue del mango

Piezas necesarias en este paso:

1	Pomo del conector
---	-------------------

Procedimiento

1. Despliegue el mango ([Figura 3, A](#)).
2. Apriete el pomo del acoplador para conectar las secciones del mango ([Figura 3, B](#)).

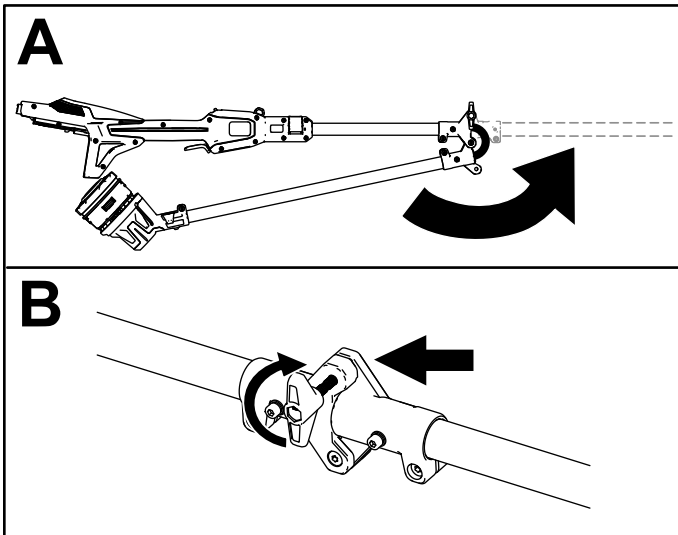


Figura 3

g507675

2

Instalación de la empuñadura auxiliar

Piezas necesarias en este paso:

1	Empuñadura auxiliar
---	---------------------

Procedimiento

1. Separe la empuñadura auxiliar del soporte desenroscando el pomo de bloqueo de la empuñadura y retirando el perno (A, [Figura 4](#)).

Importante: El perno puede estar incrustado en el plástico de la empuñadura; golpee suavemente la parte inferior del perno hasta que quede libre.

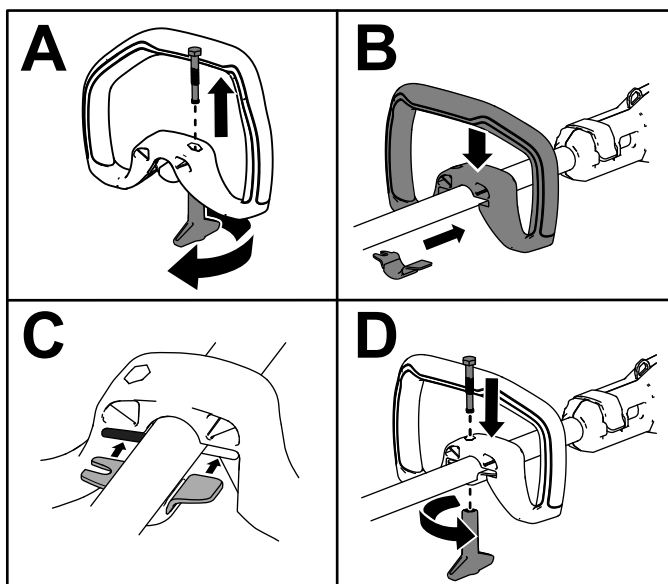


Figura 4

g507673

2. Alinee el soporte con la empuñadura auxiliar ([Figura 4](#), B).
3. Deslice el soporte en la ranura de la empuñadura auxiliar ([Figura 4](#), C).

4. Sujete el soporte inferior a la empuñadura auxiliar con el pomo de bloqueo del manillar y el perno que retiró anteriormente (Figura 4, D).

3

Instalación del protector

Piezas necesarias en este paso:

1	Protector
---	-----------

Procedimiento

Sujete el protector en la base de la desbrozadora con los 2 tornillos.

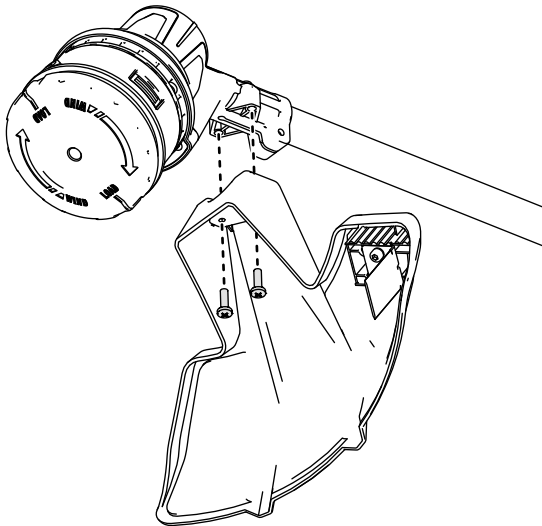


Figura 5

g507687

El producto

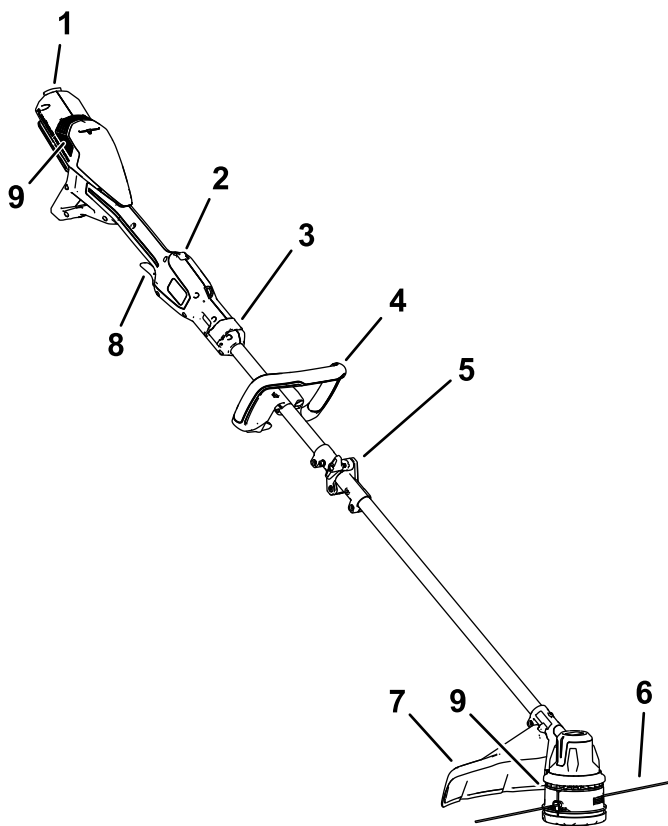
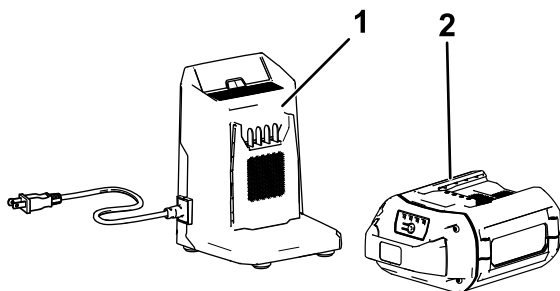


Figura 6

- | | |
|--------------------------------|--|
| 1. Pestillo de la batería | 6. Hilo de corte |
| 2. Interruptor de bloqueo | 7. Protector |
| 3. Pestillo telescópico | 8. Gatillo de accionamiento |
| 4. Empuñadura auxiliar | 9. Orificios de ventilación de la desbrozadora |
| 5. Acoplador central del mango | |

g507020



g362427

Figura 7

1. Cargador de la batería de 2 A (incluido con el modelo 51838) 2. Batería de 2.5 Ah (incluida con el modelo 51838)
-

Especificaciones

Modelo	51838/T
Voltaje nominal	Máximo 60 VCC , uso nominal 54 VCC
Tipo de cargador	Cargadores de ion litio Flex-Force 60 V
Tipo de batería	Baterías de ion litio Flex-Force 60 V*

Si utiliza esta máquina con una batería de 8.0 Ah o más, debe instalar el arnés de liberación rápida modelo 139-5334 (no incluido).

Intervalos de temperatura adecuados

Cargue/guarde la batería a	5 °C a 40 °C (41 °F a 104 °F)*
Utilice la batería a	Entre -30 °C y 49 °C (-22 °F y 120 °F)
Utilice la desbrozadora a	0 °C a 49 °C (32 °F a 120 °F)
Guarde la desbrozadora a	0 °C a 49 °C (32 °F a 120 °F)*

*El tiempo de carga será mayor si la temperatura no está en este intervalo durante la carga.

Guarde la herramienta, la batería y el cargador en un lugar cerrado, limpio y seco.

Accesorios

Está disponible una selección de aperos y accesorios homologados por Toro que se pueden utilizar con la máquina a fin de potenciar y aumentar sus prestaciones. Póngase en contacto con su Servicio Técnico Autorizado o con su distribuidor autorizado Toro, o visite www.Toro.com para obtener una lista de todos los aperos y accesorios homologados.

Para asegurar un rendimiento óptimo y mantener la certificación de seguridad de la máquina, utilice solamente piezas y accesorios genuinos Toro. Las piezas de repuesto y los accesorios de otros fabricantes podrían ser peligrosos.

Operación

Cómo arrancar la desbrozadora

1. Compruebe que los orificios de ventilación de la desbrozadora están libres de polvo y residuos.
2. Alinee el hueco de la batería con la lengüeta del alojamiento de la unidad de potencia (Figura 8).
3. Introduzca la batería en la unidad de potencia hasta la batería encaje en el pestillo (Figura 8).

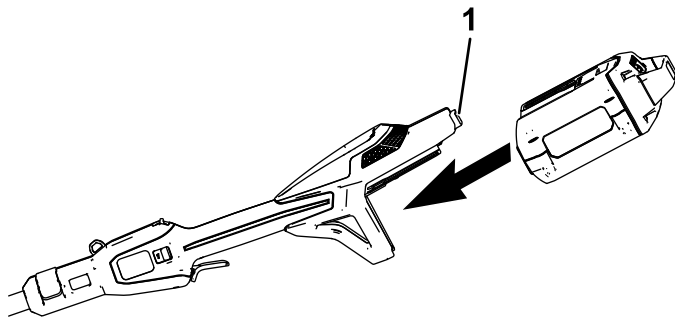


Figura 8

g507688

1. Pestillo de la batería

-
4. Para arrancar la desbrozadora, mueva hacia atrás el interruptor de bloqueo y apriete el gatillo de velocidad variable (Figura 9).

Nota: Mueva el interruptor del intervalo de velocidad para cambiar la velocidad de la desbrozadora.

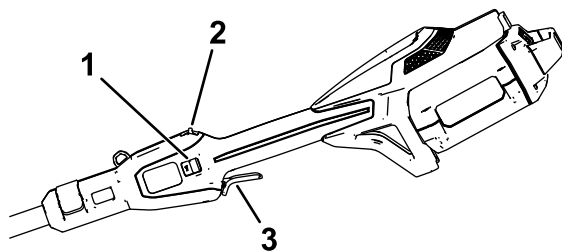


Figura 9

g507689

1. Interruptor del intervalo de velocidad
2. Interruptor de bloqueo
3. Gatillo de velocidad variable

Cómo apagar la desbrozadora

Para apagar la desbrozadora, suelte el gatillo y el interruptor de bloqueo.

Cuando no esté utilizando la desbrozadora o la esté transportando hacia o desde el área de trabajo, retire la batería.

Cómo retirar la batería de la desbrozadora

Presione el pestillo de la batería para liberar la batería, y retire la batería de la máquina (Figura 10).

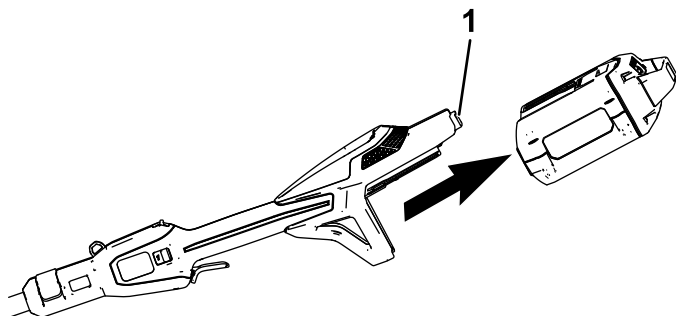


Figura 10

g507691

1. Pestillo de la batería
-

Ajuste de la posición de la empuñadura auxiliar

1. Afloje el pomo de bloqueo en la parte inferior de la empuñadura auxiliar.
2. Ajuste la posición de la empuñadura auxiliar en el mango; debe poder sostener la desbrozadora en una posición neutra y cómoda durante el uso.
3. Apriete el pomo de bloqueo de la palanca para fijar la posición de la empuñadura auxiliar.

Ajuste de la longitud del mango

1. Abra el pestillo telescópico en la parte delantera de la empuñadura.
2. Extienda o retraiga el mango hasta que pueda sostener la desbrozadora en una posición neutra y cómoda durante el uso.
3. Cierre el pestillo telescópico para fijar la posición del mango.

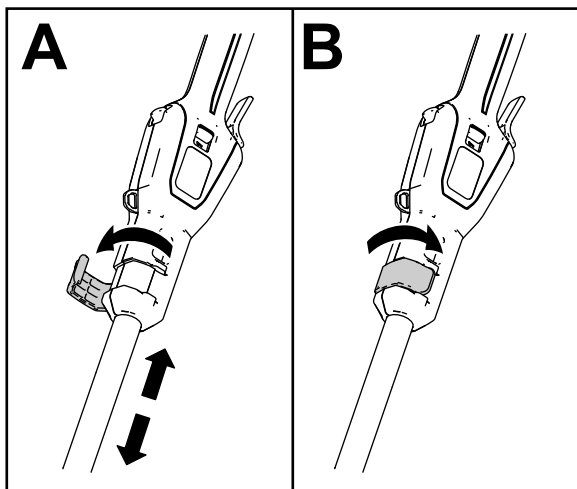


Figura 11

g507705

Avance del hilo usando alimentación por golpe

1. Ponga la herramienta en marcha a toda potencia.
2. Golpee el cabezal de choque contra el suelo para avanzar el hilo. El hilo avanza cada vez que se golpea el cabezal de choque.

Importante: No sujete el cabezal de choque contra el suelo mientras la desbrozadora está en marcha.

Nota: La cuchilla recortadora del hilo, situada en el deflector de hierba, corta el hilo a la longitud correcta.

Nota: Si el hilo está demasiado corto, puede que no sea posible hacerlo avanzar golpeándolo sobre el suelo. Si es así, suelte el gatillo y el interruptor de bloqueo; consulte [Avance manual del hilo \(página 26\)](#).

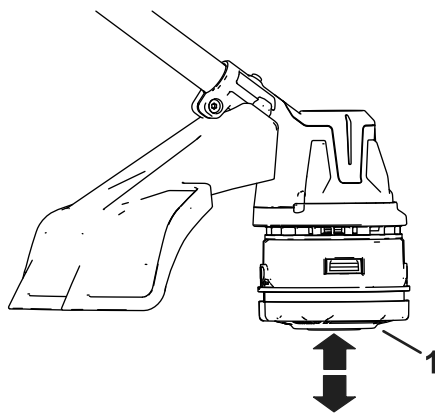


Figura 12

g507693

1. Cabezal de choque

Avance manual del hilo

Retire la batería de la desbrozadora, luego presione el cabezal de choque, situado en la base del retén del carrete, mientras tira del hilo de la desbrozadora para avanzar el hilo manualmente.

Uso del arnés de hombro

Importante: Si utiliza la desbrozadora de hilo con una batería de 8.0 Ah o más instalada, instale el arnés de hombro (no incluido).

No utilice el arnés de hombro si va a utilizar la mochila y el cable de conexión como fuente de alimentación de la desbrozadora; utilice únicamente el arnés de la mochila.

Conecte el clip del arnés de hombro a la anilla de la parte superior de la empuñadura (Figura 13).

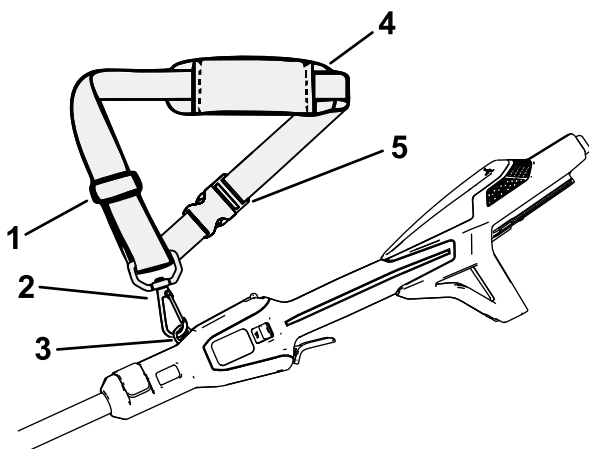


Figura 13

g507529

- | | |
|-----------------------------------|-------------------------------|
| 1. Hebilla de ajuste de la correa | 4. Almohadilla |
| 2. Clip giratorio | 5. Hebilla de apertura rápida |
| 3. Anilla | |

La longitud de la correa es ajustable; deslice la hebilla de ajuste hacia arriba para reducir la longitud de la correa, o hacia abajo para aumentar la longitud de la correa (Figura 13).

Si alguna vez necesita quitarse el arnés rápidamente, desconecte la hebilla de apertura rápida como se indica a continuación:

1. Presione hacia dentro los lados de la hebilla (Figura 14, A).

2. Deje que se desconecte la hebilla (Figura 14, B).

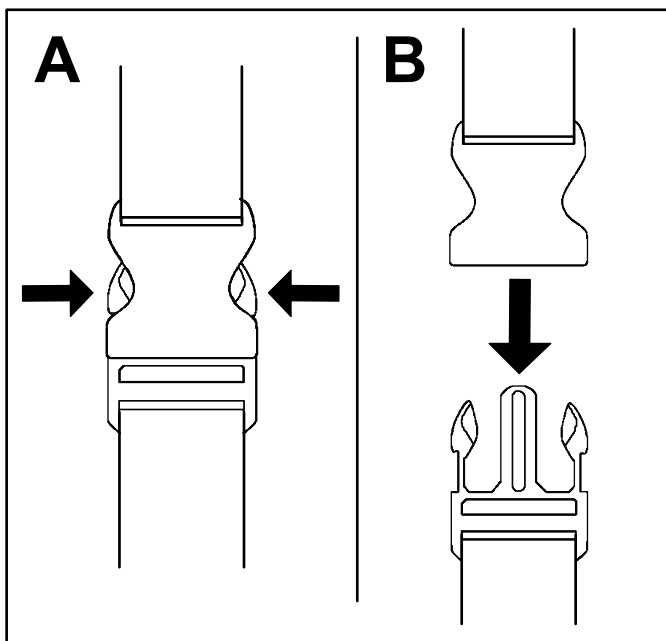


Figura 14

g340477

Carga de la batería

Importante: En el momento de la compra la batería no está totalmente cargada. Antes de usar la herramienta por primera vez, coloque la batería en el cargador y cárguela hasta que el indicador LED indique que la batería está completamente cargada. Lea todas las precauciones de seguridad.

Importante: Cargue la batería solo a temperaturas que estén dentro del intervalo apropiado; consulte [Especificaciones \(página 22\)](#).

Nota: En cualquier momento, presione el botón del indicador de carga de la batería de la batería para mostrar la carga actual (indicadores LED).

1. Compruebe que los orificios de ventilación y los terminales de carga de la batería y del cargador están libres de polvo y residuos.

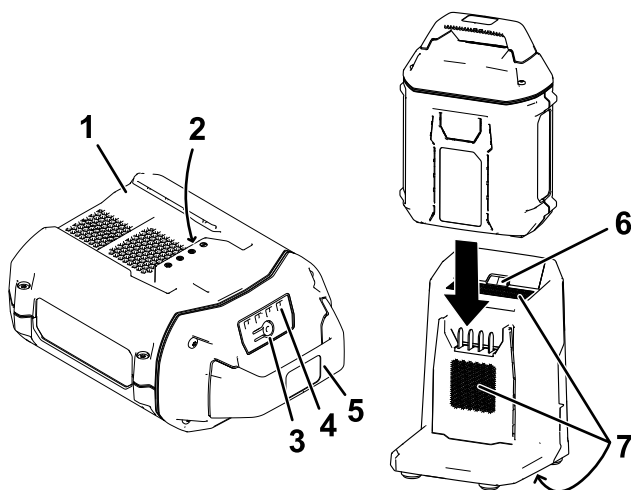



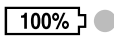


Figura 15

g473274

1. Hueco para la batería
 2. Terminales de la batería
 3. Botón del indicador de carga de la batería
 4. Indicadores LED (carga actual)
 5. Empuñadura
 6. Indicador LED del cargador
 7. Zonas de ventilación del cargador
2. Alinee el hueco de la batería ([Figura 15](#)) con la lengüeta del cargador.
 3. Introduzca la batería en el cargador hasta que esté completamente asentada ([Figura 15](#)).
 4. Para retirar la batería, deslice la batería hacia atrás para sacarla del cargador.

5. Consulte la tabla siguiente para interpretar el indicador LED del cargador de la batería.

Estado de carga de la batería

Símbolo del cargador	Luz indicadora	Indica
	Verde intermitente	La batería se está cargando
	Verde	La batería está cargada
	Rojo	La batería y/o el cargador de la batería está por encima o por debajo del intervalo de temperatura adecuado
	Rojo intermitente	Fallo de carga de la batería*
	Apagado	No hay batería insertada

*Consulte [Solución de problemas \(página 38\)](#) si desea más información.

Importante: La batería puede permanecer conectada al cargador durante periodos cortos entre usos.

Si la batería no se va a utilizar durante periodos más largos, retire la batería del cargador; consulte [Almacenamiento \(página 36\)](#).

Consejos de operación

- Mantenga la desbrozadora inclinada hacia la zona que está cortando; ésta es la mejor zona de corte.
- La desbrozadora de hilo corta al moverla de derecha a izquierda. Esto evita que la desbrozadora arroje residuos hacia usted.
- Para cortar, utilice el extremo del hilo de corte; no introduzca el cabezal entero de la desbrozadora en la hierba sin cortar.
- Las vallas de alambre o de madera pueden provocar que el hilo se desgaste rápidamente, e incluso pueden romperlo. Los muros de piedra o ladrillo, los bordillos y la madera también pueden desgastar el hilo rápidamente.
- Evite los árboles y los arbustos. El hilo puede dañar fácilmente la corteza de los árboles, las molduras de madera, los revestimientos, y los postes de las vallas.

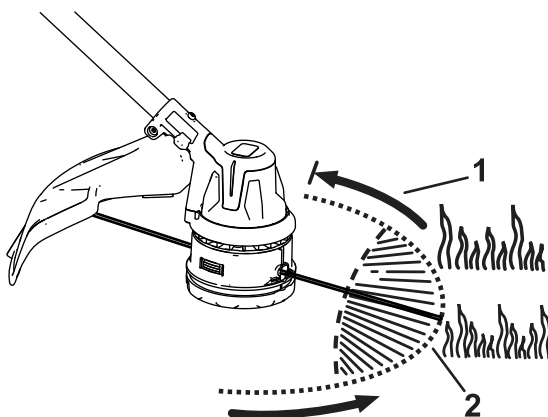


Figura 16

1. Sentido de rotación

2. Recorrido del hilo de corte

g507692

Mantenimiento

Después de cada uso de la desbrozadora, complete los procedimientos siguientes:

1. Retire la batería de la desbrozadora.
2. Limpie la desbrozadora pasando un paño húmedo. No lave la desbrozadora con una manguera ni la sumerja en agua.

⚠ CUIDADO

La cuchilla de corte del hilo, situada en el deflector, está muy afilada y puede cortarle.

No utilice las manos para limpiar el deflector o la cuchilla.

3. Limpie el cabezal de corte con un paño, rascando si es necesario, si observa una acumulación de residuos.
4. Compruebe y apriete todas las fijaciones. Repare o sustituya cualquier pieza dañada o que falte.
5. Con un cepillo, elimine cualquier residuo de las entradas de aire de la unidad de potencia y del escape de la carcasa del motor para evitar que el motor se sobrecaliente.

Sustitución del hilo de corte

Utilice solamente hilo de corte monofilamento de 2.0 mm (0.080") de diámetro o hilo de corte monofilamento torcido de 2.4 mm (0.095") de diámetro de Toro.

1. Retire la batería de la desbrozadora.
2. Retire cualquier hilo que haya quedado en el carrete presionando repetidas veces el cabezal de choque y tirando del hilo por igual en ambos lados de la desbrozadora.
3. Corte un trozo de hilo de no más de 7.3 m (24').

Importante: No sobrecargue el carrete.

Importante: No utilice ningún otro tipo o grosor de hilo, porque podría dañar la desbrozadora.

4. Pulse y gire el cabezal de choque en el sentido indicado por las flechas de la parte inferior del cabezal de choque (sentido horario) hasta que las marcas laterales del cabezal estén alineadas con las marcas situadas debajo de los ojales (Figura 17).

5. Introduzca un extremo del hilo directamente en el ojal, y empuje el hilo hasta que salga por el ojal del otro lado.

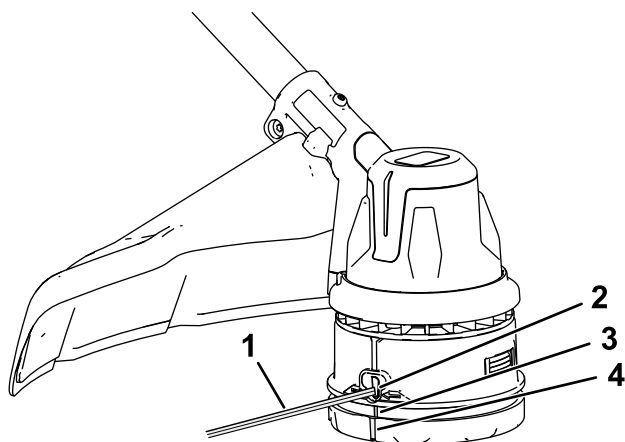


Figura 17

g507694

1. Hilo de corte
2. Ojal
3. Marca de alineación del ojal
4. Marca de alineación del cabezal de choque

Importante: No desmonte el cabezal de la desbrozadora.

6. Tire del hilo por los ojales hasta que haya la misma longitud de hilo en cada lado del cabezal de la desbrozadora.
7. Sujete la desbrozadora de hilo con una mano. Con la otra mano, gire la parte inferior del cabezal de la desbrozadora en el sentido indicado por las flechas (sentido horario) de la parte inferior del cabezal de choque para enrollar el hilo; deje sobresalir del ojal unos 15 cm (6") de hilo en cada lado.

Sustitución del cabezal de la desbrozadora

1. Retire la batería de la desbrozadora.
2. Introduzca una herramienta de pequeño diámetro (por ejemplo, un destornillador) a través de la carcasa del motor y en la ranura del ventilador para bloquear el cabezal de la desbrozadora para que no pueda girar libremente (Figura 18).

Nota: Con la herramienta insertada en el orificio, gire el cabezal de la desbrozadora hasta que note que la varilla caiga en la ranura.

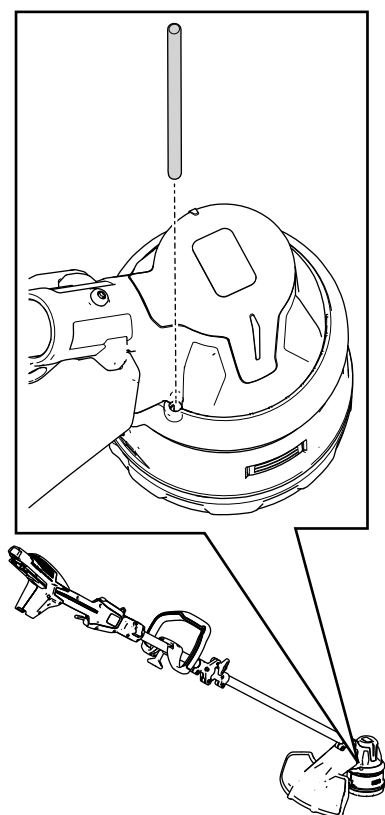


Figura 18

g512077

3. Con el cabezal de la desbrozadora inmovilizado por la herramienta, gire el cabezal de la desbrozadora en sentido antihorario para retirarla del espárrago roscado de la caja de engranajes (**Figura 19**).

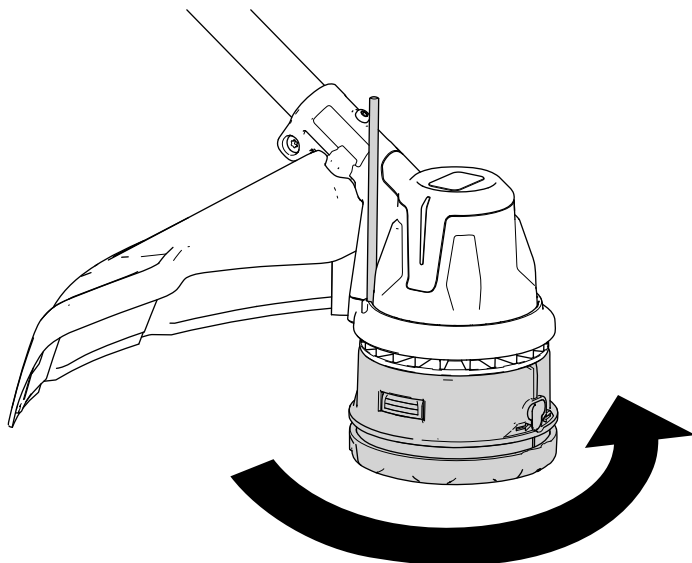


Figura 19

g516022

-
4. Para instalar el cabezal nuevo, gírelo en sentido horario sobre el espárrago de la caja de engranajes mientras sujeta el ventilador con una herramienta.

Almacenamiento

Importante: Almacene la máquina, la batería y el cargador solo a temperaturas que estén dentro del intervalo apropiado; consulte [Especificaciones \(página 22\)](#).

Importante: Si va a almacenar la máquina durante un año o más, retire la batería de la máquina y cargue la batería hasta que 1 o 2 de los indicadores LED de la batería cambien a verde. No almacene la batería completamente cargada ni completamente descargada. Antes de volver a usar la máquina, cargue la batería hasta que se vuelva verde el indicador izquierdo del cargador, o hasta que los 4 indicadores LED de la batería se vuelvan verdes.



- Desconecte la máquina del suministro de energía (es decir, retire la batería) y compruebe si hay daños después del uso.
- Limpie cualquier material extraño del producto.
- No almacene la máquina o el cargador con la batería instalada.
- Cuando no se estén utilizando, almacene la máquina, la batería y el cargador de baterías fuera del alcance de los niños.
- Mantenga la máquina, la batería y el cargador de la batería alejados de agentes corrosivos como productos fitosanitarios de jardín o sal para deshielo.
- Para reducir el riesgo de lesiones personales graves, no almacene la batería en el exterior o en un vehículo.
- Guarde la máquina, la batería y el cargador en un lugar cerrado, limpio y seco.
- Cuando la máquina está plegada para el almacenamiento, no la cuelgue del arnés eléctrico.

Preparación de la batería para el reciclado

Importante: Al retirarla, cubra los terminales de la batería con cinta adhesiva de servicio pesado. No intente destruir o desmontar la batería ni intente retirar cualquiera de los componentes de la misma.



Póngase en contacto con las autoridades municipales o con su Servicio Técnico Autorizado o su distribuidor autorizado si desea más información sobre cómo reciclar la batería de forma responsable.

 The logo for Call2Recycle, featuring a circular design with the word "RECYCLE" at the top, "R B R C" in the center, and "Li-ion" at the bottom. The phone number "1-800-822-8837" is written around the bottom edge of the circle.	<p>Las baterías de ion litio etiquetadas con el sello Call2Recycle pueden ser recicladas en cualquier comercio o instalación de reciclado de baterías adscrito al programa Call2Recycle (solo EUA y Canadá). Para localizar a un minorista o instalación participante cercano, llame al 1-800-822-8837, o bien visite www.call2recycle.org.</p>
 The logo for High Energy Battery (HEB), featuring a circular design with "END-OF-LIFE MANAGEMENT" around the top and "HEBATTERY.ORG" around the bottom. In the center, there is a lightning bolt symbol and the text "LITHIUM ION (Li-ion)".	<p>Las baterías de ion litio que llevan el sello High Energy Battery (HEB) ilustrado, así como cualquier batería Flex-Force 60V de 6.0 Ah o más, pueden ser recicladas en cualquier concesionario o comercio adscrito al programa Call2Recycle HEB. Para localizar un concesionario o comercio adscrito cercano, visite www.hebattery.org.</p>

Si no puede localizar un comercio o instalación adscrito cercano, o si tiene preguntas sobre el programa de reciclaje más adecuado para su batería, visite el sitio de atención al cliente que aparece en el manual del operador de su herramienta/equipo para obtener más información sobre cómo reciclar la batería de forma responsable.

Si se encuentra fuera de EE. UU. o Canadá, póngase en contacto con un Servicio Técnico Autorizado o un distribuidor para obtener más información sobre cómo reciclar la batería de forma responsable.

Solución de problemas

Realice solo los pasos descritos en estas instrucciones. Cualquier otro trabajo de inspección, mantenimiento o reparación debe ser realizado por un Servicio Técnico Autorizado o por un especialista autorizado si no puede solucionar el problema usted mismo.

Retire siempre la batería de la herramienta antes de inspeccionar, limpiar, localizar averías o realizar mantenimiento de la herramienta.

Problema	Posible causa	Acción correctora
La herramienta no funciona, o no funciona de forma intermitente.	<ol style="list-style-type: none"><li data-bbox="386 423 675 524">1. La batería no está correctamente instalada en la herramienta.<li data-bbox="386 594 675 646">2. La batería no está cargada.<li data-bbox="386 654 675 781">3. La temperatura de la batería está por encima o por debajo del intervalo de temperatura adecuado.<li data-bbox="386 789 675 841">4. Hay humedad en los cables de la batería.<li data-bbox="386 873 675 899">5. La batería está dañada.<li data-bbox="386 907 675 985">6. Hay otro problema eléctrico con la herramienta.	<ol style="list-style-type: none"><li data-bbox="707 423 996 579">1. Retire y luego vuelva a colocar la batería en la herramienta, asegurándose de que está completamente instalada y bloqueada.<li data-bbox="707 594 996 646">2. Retire la batería de la herramienta y cárguela.<li data-bbox="707 654 996 781">3. Traslade la batería a un lugar seco cuya temperatura sea de entre 5 °C y 40 °C (41 °F y 104 °F).<li data-bbox="707 789 996 867">4. Deje que la batería se seque o séquela con un paño.<li data-bbox="707 873 996 899">5. Sustituya la batería.<li data-bbox="707 907 996 985">6. Póngase en contacto con el Servicio Técnico Autorizado.
La herramienta no alcanza su potencia completa o la carcasa del motor se calienta.	<ol style="list-style-type: none"><li data-bbox="386 1013 675 1065">1. La batería está casi descargada.<li data-bbox="386 1105 675 1183">2. Los orificios de ventilación están obstruidos.	<ol style="list-style-type: none"><li data-bbox="707 1013 996 1091">1. Retire la batería de la herramienta y cargue la batería completamente.<li data-bbox="707 1105 996 1151">2. Limpie los orificios de ventilación.

Problema	Posible causa	Acción correctora
La herramienta produce vibraciones o ruidos excesivos.	<ol style="list-style-type: none"> 1. Hay residuos debajo del deflector de hierba o en la carcasa del cabezal de choque de la desbrozadora. 2. El carrete no está bien enrollado. 	<ol style="list-style-type: none"> 1. Limpie cualquier residuo de debajo del deflector de hierba o de la carcasa del cabezal de choque. 2. Haga avanzar el hilo usando el cabezal de choque y/o retire el hilo del carrete y vuelva a enrollarlo en el carrete.
El cabezal de choque no avanza el hilo.	<ol style="list-style-type: none"> 1. La desbrozadora se ha quedado sin hilo. 2. El hilo se ha enredado en la carcasa del cabezal de choque. 3. Hay residuos debajo del deflector de hierba o en la carcasa del cabezal de choque de la desbrozadora. 	<ol style="list-style-type: none"> 1. Añada más hilo al cabezal de choque. 2. Retire la cubierta del cabezal de choque y el desenrede el hilo. 3. Limpie cualquier residuo de debajo del deflector de hierba o de la carcasa del cabezal de choque.
La batería se descarga rápidamente.	<ol style="list-style-type: none"> 1. La temperatura de la batería está por encima o por debajo del intervalo de temperatura adecuado. 2. La desbrozadora está sobrecargada. 	<ol style="list-style-type: none"> 1. Traslade la batería a un lugar seco cuya temperatura sea de entre 5 °C y 40 °C (41 °F y 104 °F). 2. Recorte a una velocidad más lenta.
El cargador de baterías no funciona.	<ol style="list-style-type: none"> 1. La temperatura del cargador de baterías está por encima o por debajo del intervalo de temperatura adecuado. 2. La toma de corriente en la que está enchufado el cargador de baterías no tiene corriente. 	<ol style="list-style-type: none"> 1. Desenchufe el cargador de baterías y trasládalo a un lugar seco cuya temperatura sea de entre 5 °C y 40 °C (41 °F y 104 °F). 2. Póngase en contacto con un electricista autorizado para que repare la toma de corriente.
El indicador LED del cargador de la batería está rojo.	<ol style="list-style-type: none"> 1. El cargador de la batería y/o la batería está por encima o por debajo del intervalo de temperatura adecuado. 	<ol style="list-style-type: none"> 1. Desenchufe el cargador de la batería y mueva el cargador de la batería y la batería a un lugar seco cuya temperatura sea de entre 5 °C (41 °F) y 40 °C (104 °F).

Problema	Posible causa	Acción correctora
<p>El indicador LED del cargador de la batería parpadea en rojo.</p>	<ol style="list-style-type: none"> 1. Hay un error de comunicaciones entre la batería y el cargador. 2. La batería está casi agotada. 	<ol style="list-style-type: none"> 1. Retire la batería del cargador, desconecte el cargador de la toma de corriente y espere 10 segundos. Vuelva a enchufar el cargador en la toma de corriente y coloque la batería en el cargador. Si el indicador LED del cargador sigue parpadeando en rojo, repita este procedimiento. Si el indicador LED del cargador sigue parpadeando después de 2 intentos, elimine la batería correctamente en una instalación de reciclado de baterías. 2. Elimine correctamente la batería en una instalación de reciclado de baterías.

Información sobre las Advertencias de la Proposición 65 de California

¿Qué significa esta advertencia?

Puede ver un producto a la venta que lleva una etiqueta de advertencia como la siguiente:



ADVERTENCIA: Cáncer y daños reproductivos –
www.p65Warnings.ca.gov.

¿Qué es la Proposición 65?

La Proposición 65 afecta a cualquier empresa que tenga presencia en California, que venda productos en California, o que fabrique productos que podrían ser introducidos o vendidos en California. Esta ley exige que el Gobernador de California mantenga y publique una lista de sustancias químicas identificadas como causantes de cáncer, defectos de nacimiento y/u otros daños reproductivos. La lista, que se actualiza anualmente, incluye cientos de productos químicos que se encuentran en muchos artículos de uso diario. El propósito de la Proposición 65 es informar al público sobre la exposición a estos productos químicos.

La Proposición 65 no prohíbe la venta de productos que contengan estos productos químicos, sino que requiere la presencia de advertencias en el producto, el envase y la documentación suministrada con el producto. Además, una advertencia de la Proposición 65 no significa que el producto contravenga ninguna norma o requisito de seguridad. De hecho, el gobierno de California ha aclarado que una advertencia bajo la Proposición 65 "no es lo mismo que una decisión legal sobre la 'seguridad' o la 'inseguridad' de un producto". Muchos de estos productos químicos han sido utilizados durante años en productos de uso diario sin que se hayan producido daños documentados. Para obtener más información, visite <https://oag.ca.gov/prop65/faqs-view-all>.

Una advertencia de la Proposición 65 significa que una empresa (1) ha evaluado la exposición y ha concluido que supera el nivel de "sin riesgo significativo"; o (2) ha optado por proporcionar una advertencia basándose en sus conocimientos respecto a la presencia de un producto químico de los incluidos en la lista, sin intentar evaluar la exposición.

¿Esta ley es aplicable en todas partes?

Las advertencias de la Proposición 65 sólo son obligatorias bajo la legislación de California. Estas advertencias se ven por toda California en una gran variedad de entornos, incluyendo entre otros restaurantes, tiendas de alimentación, hoteles, escuelas y hospitales, y en una amplia variedad de productos. Además, algunos minoristas de Internet y de la venta por correo incluyen advertencias de la Proposición 65 en sus sitios web o en sus catálogos.

¿Qué diferencia hay entre las advertencias de California y los límites federales?

Las normas de la Proposición 65 son a menudo más exigentes que las normas federales o internacionales. Varias sustancias requieren una advertencia bajo la Proposición 65 a niveles muy inferiores a los límites federales. Por ejemplo, el nivel exigido por la Proposición 65 para las advertencias sobre el plomo es de 0.5 µg/día, que es muy inferior a lo que exigen las normas federales e internacionales.

¿Por qué no llevan la advertencia todos los productos similares?

- Los productos vendidos en California deben llevar etiquetas bajo la Proposición 65, mientras que otros productos similares que se venden en otros lugares no las necesitan.
- Una empresa puede estar obligada a incluir advertencias de Proposición 65 en sus productos como condición de un acuerdo tras un procedimiento legal relacionado con la Proposición 65, pero otras empresas que fabrican productos similares no tienen necesariamente la misma obligación.
- La aplicación de la Proposición 65 no es uniforme.
- Algunas empresas pueden optar por no proporcionar advertencias porque concluyen que no están obligadas a hacerlo bajo la Proposición 65; la falta de advertencias en un producto no significa que el producto esté libre de los productos químicos incluidos en la lista a niveles similares.

¿Por qué incluye Toro esta advertencia?

Toro ha optado por proporcionar a los consumidores la mayor cantidad posible de información para que puedan tomar decisiones informadas sobre los productos que compra y utiliza. Toro proporciona advertencias en ciertos casos basándose en sus conocimientos sobre la presencia de uno o más productos químicos de la lista, sin evaluar el nivel de exposición, puesto que la lista no incluye límites de exposición para todos los productos químicos que contiene. Aunque la exposición que provocan los productos Toro puede ser insignificante, o estar dentro de los límites de la categoría "sin riesgo significativo", Toro ha optado por proporcionar las advertencias de la Proposición 65 por simple precaución. Además, si Toro no proporcionara estas advertencias, podría ser demandada por el Estado de California o por particulares bajo la Proposición 65, y estar sujeta a importantes sanciones.



Count on it.



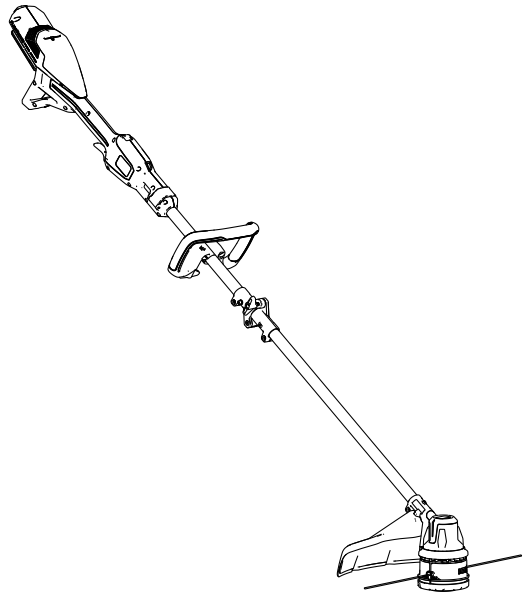
Count on it.

Manuel de l'utilisateur

**Débroussailleuse à fil
Flex-Force Power System®
60 V MAX de 43 cm (17 po)**

N° de modèle 51838—N° de série 326000000 et suivants

N° de modèle 51838T—N° de série 326000000 et suivants



Enregistrez votre produit à
www.Toro.com.
Traduction du texte d'origine (FR)





Si vous avez besoin d'aide, consultez les documents didactiques sur www.Toro.com/support ou contactez votre dépositaire-réparateur agréé avant de renvoyer ce produit.

⚠ ATTENTION

CALIFORNIE

Proposition 65 - Avertissement

Le cordon d'alimentation de cette machine contient du plomb, une substance chimique considérée par l'état de Californie comme susceptible de provoquer des malformations congénitales et autres troubles de la reproduction. Lavez-vous les mains après avoir manipulé la batterie.

L'utilisation de ce produit peut entraîner une exposition à des substances chimiques considérées par l'état de Californie comme capables de provoquer des cancers, des anomalies congénitales ou d'autres troubles de la reproduction.



Introduction

Cette débroussailleuse est destinée au grand public, et permet de couper l'herbe en extérieur, selon les besoins. Elle est conçue pour fonctionner avec des batteries lithium-ion Flex-Force™ de 60 V. Ces batteries sont conçues pour être chargées uniquement avec les chargeurs de batteries lithium-ion Flex-Force de 60 V. L'utilisation de ce produit à d'autres fins que celle prévue peut être dangereuse pour vous-même et toute personne à proximité.

***Important:* Si vous utilisez cet appareil avec une batterie de 8 Ah ou plus, vous devez installer la sangle à fixation rapide modèle 139-5334 (non incluse) pour assurer un soutien et un équilibre corrects.**

N'utilisez pas d'autres types sangles ou plusieurs sangles à la fois.

Le modèle 51838T ne comprend pas de batterie ni de chargeur.

Lisez attentivement cette notice pour apprendre comment utiliser et entretenir correctement votre produit, et éviter ainsi de l'endommager ou de vous blesser. Vous êtes responsable de l'utilisation sûre et correcte du produit.

Rendez-vous sur www.Toro.com pour tout document de formation à la sécurité et à l'utilisation des produits, pour tout renseignement concernant un produit ou un accessoire, pour obtenir l'adresse des dépositaires ou pour enregistrer votre produit.

Pour obtenir des prestations de service, des pièces d'origine ou des renseignements complémentaires, munissez-vous des numéros de modèle et de série du produit et contactez un dépositaire-réparateur agréé ou le service client du constructeur. La [Figure 1](#) indique l'emplacement des numéros de modèle et de série du produit. Inscrivez les numéros dans l'espace réservé à cet effet.

Important: Avec votre appareil mobile, vous pouvez scanner le code QR sur l'autocollant du numéro de série (le cas échéant) pour accéder à l'information sur la garantie, les pièces et autres renseignements concernant le produit.

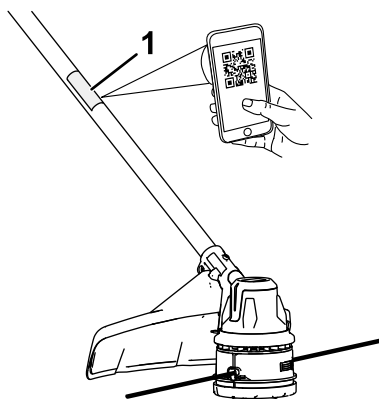


Figure 1

g507019

1. Emplacement du numéro de modèle, du numéro de série et du code QR

N° de modèle _____
N° de série _____

Symbole de sécurité

Le symbole de sécurité (Figure 2) utilisé dans ce manuel et sur la machine identifie d'importants messages de sécurité dont vous devez tenir compte pour éviter des accidents.



Figure 2

Symbole de sécurité

g000502

Le symbole de sécurité apparaît au-dessus de toute information signalant des actions ou des situations dangereuses. Il est suivi de la mention **DANGER, ATTENTION** ou **PRUDENCE**.

DANGER signale un danger immédiat qui, s'il n'est pas évité, **entraînera obligatoirement** des blessures graves ou mortelles.

ATTENTION signale un danger potentiel qui, s'il n'est pas évité, **risque d'entraîner** des blessures graves ou mortelles.

PRUDENCE signale un danger potentiel qui, s'il n'est pas évité, **peut éventuellement entraîner** des blessures légères ou modérées.

Ce manuel utilise également deux autres termes pour faire passer des renseignements essentiels. **Important** pour attirer l'attention sur une information d'ordre mécanique spécifique, et **Remarque** pour souligner une information d'ordre général méritant une attention particulière.

Sécurité

▲ ATTENTION

Prenez connaissance de toutes les consignes de sécurité, instructions, illustrations et spécifications qui accompagnent cet appareil.

Le non respect de toutes les instructions énoncées ci-après peut entraîner des chocs électriques, un incendie et/ou des blessures graves.

Conservez précieusement toutes les mises en garde et consignes de sécurité à titre de référence.

Le terme « appareil » utilisé dans toutes les mises en garde renvoie à votre appareil branché sur le secteur (câblé) ou alimenté par batterie (sans fil).

I. Sécurité sur la zone de travail

1. **La zone de travail doit être propre et bien éclairée.** *Les endroits sombres et encombrés sont propices aux accidents.*
2. **N'utilisez jamais les appareils dans des atmosphères explosives, en présence de liquides, gaz ou poussière inflammables par exemple.** *Les appareils produisent des étincelles qui peuvent enflammer la poussière ou les vapeurs/émanations.*
3. **Tenez enfants et spectateurs à distance pendant l'utilisation d'un appareil.** *Les distractions peuvent entraîner la perte de contrôle de l'outil.*

II. Sécurité électrique

1. **La fiche des appareils doit correspondre au type de prise utilisé. Ne modifiez jamais la fiche électrique de quelque façon que ce soit. N'utilisez pas d'adaptateur avec les appareils reliés à la terre.** *Les fiches et prises correspondantes non modifiées réduisent le risque de choc électrique.*
2. **Évitez tout contact du corps avec des surfaces reliées à la terre/masse, par exemple tuyaux, radiateurs, cuisinières et réfrigérateurs.** *Le risque de choc électrique augmente si vous êtes relié à la terre.*
3. **N'exposez pas les appareils à la pluie ou à l'humidité.** *Toute infiltration d'eau dans un appareil augmente le risque de choc électrique.*

4. **Ne maltraitez pas le cordon d'alimentation. Ne vous servez jamais du cordon pour transporter, tirer ou débrancher l'appareil. Éloignez le cordon des surfaces chaudes, de la graisse, des arêtes vives ou des pièces mobiles. Les cordons endommagés ou emmêlés augmentent le risque de choc électrique.**

5. **Si vous utilisez un appareil à l'extérieur, utilisez toujours une rallonge adaptée à l'usage extérieur.** *L'utilisation d'une rallonge prévue pour l'usage extérieur réduit le risque de choc électrique.*
6. **Si l'utilisation d'un appareil dans un endroit humide ne peut être évitée, utilisez une alimentation protégée par un dispositif différentiel à courant résiduel (RCD).** *L'utilisation d'un disjoncteur différentiel réduit le risque de choc électrique.*

III. Sécurité personnelle

1. **Restez alerte, concentrez-vous sur votre tâche et faites preuve de bon sens lorsque vous utilisez un appareil. N'utilisez jamais un appareil si vous êtes fatigué(e) ou sous l'emprise de l'alcool, de drogues ou de médicaments.** *Un seul moment d'inattention pendant l'utilisation peut entraîner de graves blessures.*
2. **Utilisez des équipements de protection individuelle. Portez toujours une protection oculaire.** *Les équipements de protection comme les masques antipoussière, les chaussures de sécurité à semelle antidérapante, les casques et les protections antibruit utilisés de manière pertinente réduisent les risques de blessures.*
3. **Évitez tout démarrage accidentel. Assurez-vous que l'interrupteur Marche/Arrêt est en position ARRÊT avant de connecter l'outil à une source d'alimentation et/ou à la batterie, de le prendre en main ou de le transporter.** *Des accidents peuvent se produire si vous transportez un appareil en gardant le doigt sur l'interrupteur Marche/Arrêt ou si vous le mettez sous tension sans avoir placé l'interrupteur en position d'arrêt.*
4. **Retirez toute clé de réglage ou autre avant de mettre l'appareil en marche.** *Une clé oubliée sur une pièce rotative de l'appareil pourrait vous blesser.*
5. **Ne travaillez pas trop loin devant vous. Gardez toujours les pieds bien posés à terre et faites en sorte de ne pas perdre l'équilibre.** *Vous garderez ainsi le contrôle de l'appareil si un événement inattendu se produit.*
6. **Portez des vêtements adéquats. Ne portez pas de vêtements amples ni de bijoux pendants. N'approchez pas les cheveux ni les vêtements des pièces en mouvement.** *Les vêtements amples, les bijoux pendants ou les cheveux longs peuvent se prendre dans les pièces mobiles.*
7. **Si des dispositifs sont fournis pour le raccordement d'équipements de dépoussiérage et de récupération des poussières, assurez-vous qu'ils sont connectés et utilisés**

correctement. *L'utilisation d'un dispositif de récupération des poussières peut réduire les risques associés aux poussières.*

8. **Même si vous avez l'habitude d'utiliser les outils, ne relâchez pas votre attention et n'ignorez pas les principes de sécurité des outils.** *Une imprudence peut causer des blessures graves en une fraction de seconde.*

IV. Utilisation et entretien de l'appareil

1. **Ne faites pas forcer l'appareil. Utilisez l'appareil qui convient pour la tâche à accomplir.** *Un appareil adapté donnera de meilleurs résultats et sera moins dangereux s'il est utilisé dans les limites prévues.*
2. **Ne vous servez pas de l'appareil si l'interrupteur Marche/Arrêt ne permet pas de le mettre en marche et de l'arrêter correctement.** *Un appareil qui ne peut pas être commandé par l'interrupteur Marche/Arrêt est dangereux et doit être réparé.*
3. **Débranchez l'appareil de la source d'alimentation et/ou enlevez la batterie, si elle est amovible, avant d'effectuer des réglages, de changer d'accessoire ou de ranger l'appareil.** *Ces mesures de sécurité préventives réduisent le risque de démarrage accidentel de l'appareil.*
4. **Rangez les appareils non utilisés hors de la portée des enfants et ne confiez leur utilisation qu'à des personnes qui en connaissent le maniement et qui ont lu ces instructions.** *Les appareils sont dangereux s'ils sont mis entre les mains d'utilisateurs novices.*
5. **Faites l'entretien de l'appareil et des accessoires. Assurez-vous qu'aucune pièce n'est mal alignée, grippée, cassée ou présente tout autre défaut susceptible d'affecter le bon fonctionnement de l'appareil. S'il est endommagé, faites réparer l'appareil avant de l'utiliser.** *De nombreux accidents sont causés par des appareils en mauvais état.*
6. **Gardez les outils de coupe propres et bien affûtés.** *Des outils de coupe entretenus correctement et bien affûtés sont moins susceptibles de coincer et sont plus faciles à contrôler.*
7. **Utilisez l'appareil, les accessoires, les outils rapportés, etc. en conformité avec ces instructions, en tenant compte des conditions de travail et de la tâche à réaliser.** *L'utilisation de l'appareil pour des opérations autres que celles prévues peut engendrer une situation dangereuse.*
8. **Gardez les poignées et surfaces de préhension sèches, propres et exemptes d'huile et de graisse.** *Les poignées et les surfaces de préhension glissantes ne permettent pas de manipuler et de contrôler l'outil en toute sécurité dans des situations imprévues.*

V. Utilisation et entretien des outils à batterie

1. **Ne les rechargez qu'avec le chargeur spécifié par le fabricant.** *Un chargeur convenant à un type de batterie peut créer un risque d'incendie s'il est utilisé avec une autre batterie.*
2. **Utilisez les appareils uniquement avec les batteries spécifiquement prévues.** *L'utilisation d'autres batteries peut créer un risque de blessure et d'incendie.*
3. **Lorsque la batterie ne sert pas, rangez-la à distance d'objets métalliques tels que trombones, pièces de monnaie, clés, clous, vis ou autre petit objet métallique qui pourrait relier les bornes entre elles.** *Un court-circuit aux bornes de la batterie peut causer des brûlures ou un incendie.*
4. **Du liquide peut s'échapper de la batterie en cas d'utilisation abusive; évitez tout contact avec le liquide. En cas de contact accidentel, rincez à l'eau. En cas de contact du liquide avec les yeux, consultez en plus un médecin.** *Le liquide qui s'échappe de la batterie peut causer des irritations ou des brûlures.*
5. **N'utilisez pas une batterie ou un outil qui a été endommagé(e) ou modifié(e).** *Les batteries endommagées ou modifiées peuvent se comporter de manière imprévisible et causer un incendie, une explosion ou des blessures.*
6. **N'exposez pas les batteries ou les outils au feu ou à une température excessive.** *L'exposition au feu ou à une température supérieure à 130 °C (265 °F) peut provoquer une explosion.*
7. **Suivez toutes les instructions de charge et ne chargez pas la batterie ou l'outil en dehors de la plage de température spécifiée dans les instructions.** *Une charge incorrecte ou à des températures en dehors de la plage spécifiée peut endommager la batterie et augmenter le risque d'incendie.*

VI. Entretien

1. **Confiez l'entretien de votre appareil à un réparateur qualifié utilisant exclusivement des pièces de rechange identiques.** *La sécurité de votre appareil sera ainsi maintenue.*
2. **Ne faites jamais l'entretien des batteries endommagées.** *L'entretien des batteries ne doit être effectué que par le fabricant ou les fournisseurs de services autorisés.*

VII. Consignes de sécurité de la débroussailleuse filaire

1. **N'utilisez pas l'appareil par mauvais temps, surtout s'il existe un risque d'orage.** *Cela réduit le risque d'être frappé par la foudre.*
2. **Inspectez soigneusement la zone où la débroussailleuse doit être utilisée pour vérifier si des animaux sont présents.** *En effet, l'appareil pourrait blesser des animaux pendant son utilisation.*
3. **Inspectez soigneusement la zone de travail et enlevez tout objet susceptible d'être projeté par l'appareil (pierres, jouets, branches, os, etc.).** *Les objets projetés peuvent causer de graves blessures.*
4. **Avant d'utiliser l'appareil, vérifiez toujours que le coupe-fil ou la lame et l'ensemble de coupe ne sont pas usés ou endommagés.** *Les pièces endommagées augmentent le risque de blessure.*
5. **Suivez les instructions pour changer d'accessoires.** *Les écrous ou boulons de fixation de la lame mal serrés risquent d'endommager la lame ou de la faire se détacher.*
6. **La vitesse de rotation nominale de la lame doit être au moins égale à la vitesse de rotation maximale indiquée sur l'appareil.** *Les lames qui tournent plus vite que leur vitesse de rotation nominale peuvent se briser et voler en éclats.*
7. **Portez une protection pour les yeux, les oreilles, la tête et les mains.** *Le port d'équipements de protection adaptés réduit les risques de blessures occasionnées par la projection de débris ou un contact accidentel avec le fil de coupe ou la lame.*
8. **Portez toujours des chaussures de sécurité à semelle antidérapante pour utiliser l'appareil. Ne travaillez jamais pieds nus ou en sandales.** *Cela réduit le risque de blessures aux pieds en cas de contact avec les coupe-fil ou les fils en mouvement.*
9. **Portez toujours des chaussures de sécurité lorsque vous utilisez l'appareil. Ne travaillez jamais pieds nus ou en sandales.** *Cela réduit le risque de blessures aux pieds en cas de contact avec le coupe-fil, le fil ou la lame en mouvement.*
10. **Portez toujours un pantalon lorsque vous utilisez l'appareil.** *Les risques de blessure par des objets projetés sont accrus si votre peau est exposée.*
11. **N'autorisez personne à s'approcher de l'appareil en marche.** *La projection de débris peut entraîner de graves blessures.*
12. **Tenez toujours l'appareil des deux mains pendant l'utilisation.** *Tenez l'appareil des deux mains pour éviter d'en perdre le contrôle.*

13. **Tenez l'appareil uniquement par les surfaces de préhension isolées car le fil de coup ou la lame peut toucher des câbles invisibles.** *Si le fil de coupe ou la lame entre en contact avec un câble « sous tension », les pièces métalliques exposées de l'appareil peuvent également être mises « sous tension » et causer un choc électrique pour l'utilisateur.*
14. **Tenez-vous toujours bien d'aplomb et n'utilisez l'appareil que debout sur le sol.** *Les surfaces glissantes ou instables peuvent vous faire perdre l'équilibre ou le contrôle de l'outil.*
15. **N'utilisez pas l'appareil sur des pentes très escarpées.** *Vous risquerez moins de perdre le contrôle de l'appareil, de glisser et de tomber, et donc de vous blesser.*
16. **Lorsque vous travaillez sur des pentes, veillez toujours à ne pas perdre l'équilibre, travaillez toujours transversalement à la pente, jamais dans le sens de la pente, et faites preuve de la plus grande prudence quand vous changez de direction.** *Vous risquerez moins de perdre le contrôle de l'appareil, de glisser et de tomber, et donc de vous blesser.*
17. **N'approchez aucune partie du corps du coupe-fil, du fil de coupe ou de la lame pendant que l'appareil est en marche.** *Avant de mettre l'appareil en marche, assurez-vous que le coupe-fil, le fil ou la lame ne touche rien. Un seul moment d'inattention pendant l'utilisation peut entraîner de graves blessures.*
18. **N'utilisez pas l'appareil en le tenant au-dessus de la taille.** *Cela permet d'éviter tout contact accidentel avec le fil de coupe ou la lame, et de mieux contrôler l'appareil dans des situations imprévues.*
19. **Lorsque vous coupez des broussailles ou de jeunes arbres soumis à une tension, méfiez-vous de l'effet de retour.** *Lorsque les fibres de bois se détendent, les broussailles ou les jeunes arbres peut venir vous heurter et/ou vous faire perdre le contrôle de l'appareil.*
20. **Faites preuve d'une extrême prudence lorsque vous coupez des broussailles ou de jeunes arbres.** *Le bois mince peut coincer la lame et vous heurter ou vous déséquilibrer par effet de retour.*
21. **Gardez le contrôle de l'appareil et ne touchez pas les coupe-fil, les fils de coupe ou les lames, ni aucune autre pièce mobile dangereuse tant qu'elles sont encore en mouvement.** *Cela réduit le risque de blessure par des pièces mobiles.*
22. **Transportez l'appareil après l'avoir mis hors tension et en le tenant éloigné du corps.** *Le maniement correct de l'appareil*

réduira le risque de contact accidentel avec le coupe-fil, le fil ou la lame en mouvement.

23. **Utilisez uniquement les coupe-fil, les fils et les lames de rechange spécifiés par le fabricant.** *L'utilisation de pièces de rechange incorrectes peut augmenter le risque de bris de pièces et de blessures.*


CONSERVEZ CES INSTRUCTIONS



Symboles des autocollants



Des autocollants de sécurité et des instructions bien visibles par l'opérateur sont placés près de tous les endroits potentiellement dangereux. Remplacez tout autocollant endommagé ou manquant.

Les tableaux suivants décrivent les symboles de sécurité qui figurent sur les autocollants.

Symbole de la débroussailleuse à fil sur l'autocollant	Explication
	Risque de projection d'objets
	Attention
	N'utilisez pas l'appareil dans des conditions humides.
	N'utilisez pas des lames métalliques.
<p>15 m (50 ft)</p> 	Tenez tout le monde à une distance d'au moins 15 m (50 pi).
	Gardez toutes les protections et tous les capots en place.
	Ne vous approchez pas des pièces en mouvement.
	Retirez la batterie avant d'effectuer un entretien.
	Lisez le <i>Manuel de l'utilisateur</i> .

	Utilisez un fil flexible.
	Portez une protection oculaire et auditive.

Mise en service

Pièces détachées

Reportez-vous au tableau ci-dessous pour vérifier si toutes les pièces ont été expédiées.

Procédure	Description	Qté	Utilisation
1	Bouton de fixation	1	Dépliage de l'arbre.
2	Poignée auxiliaire	1	Montage de la poignée auxiliaire.
3	Défecteur	1	Montage du déflecteur.

Important: La batterie n'est pas complètement chargée à l'achat. Avant la toute première utilisation de l'outil, voir [Charge de la batterie \(page 31\)](#).

1

Dépliage du manche

Pièces nécessaires pour cette opération:

1	Bouton de fixation
---	--------------------

Procédure

1. Dépliez l'arbre (A de la [Figure 3](#)).
2. Réunissez les deux parties de l'arbre au niveau du coupleur à l'aide du bouton de fixation (B de la [Figure 3](#)).

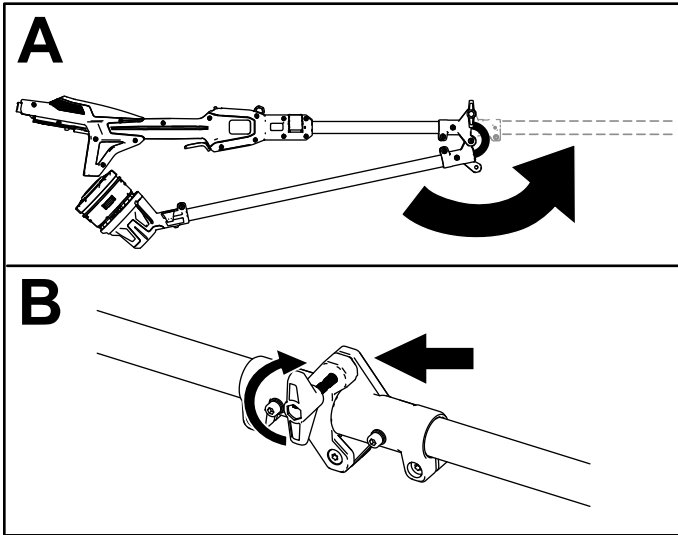


Figure 3

g507675

2

Montage de la poignée auxiliaire

Pièces nécessaires pour cette opération:

1	Poignée auxiliaire
---	--------------------

Procédure

1. Séparez la poignée auxiliaire de son support en desserrant le bouton de verrouillage et en retirant le boulon (A de la [Figure 4](#)).

Important: Il se peut que le boulon soit coincé dans le plastique de la poignée; tapotez le bas du boulon jusqu'à ce qu'il se dégage de la poignée.

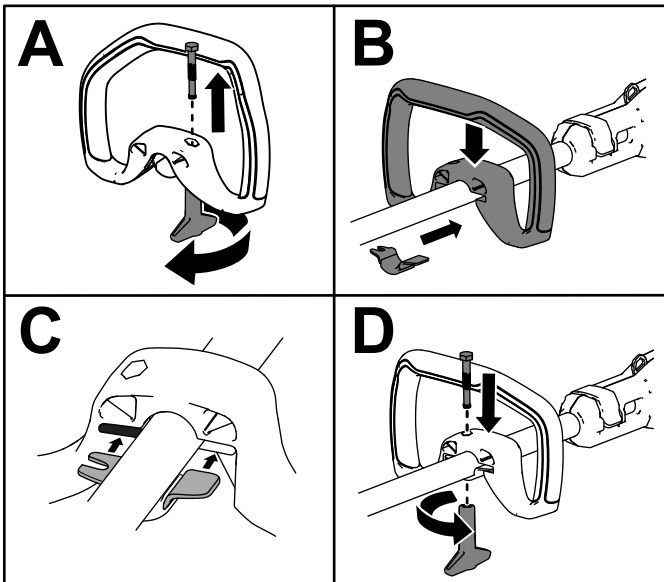


Figure 4

g507673

2. Alignez le support sur la poignée auxiliaire (B de la [Figure 4](#)).
3. Insérez le support dans la fente sur la poignée auxiliaire (B de la [Figure 4](#)).

4. Fixez le support inférieur à la poignée auxiliaire avec le bouton de verrouillage et le boulon retiré précédemment (D de la [Figure 4](#)).

3

Montage du déflecteur

Pièces nécessaires pour cette opération:

1	Déflecteur
---	------------

Procédure

Fixez le déflecteur sur la base de la débroussailleuse à l'aide des 2 vis.

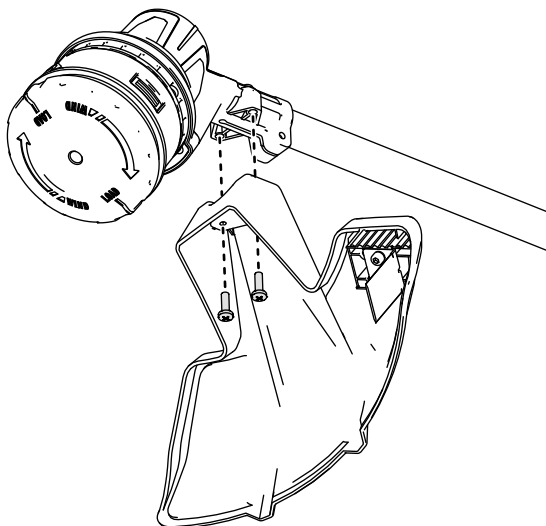


Figure 5

g507687

Vue d'ensemble du produit

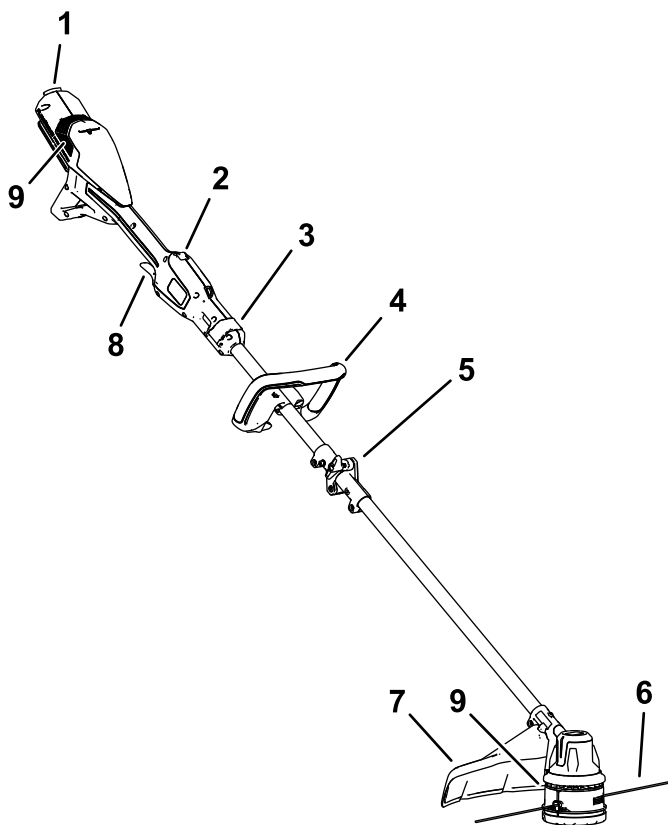
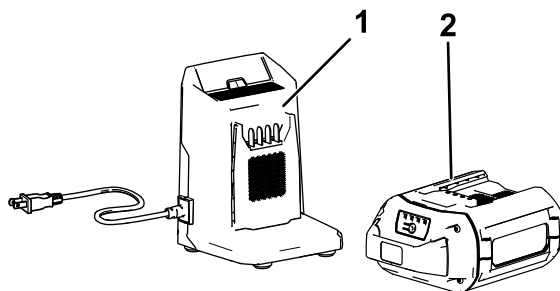


Figure 6

g507020

- | | |
|------------------------------------|-----------------------|
| 1. Verrou de batterie | 6. Fil de coupe |
| 2. Commutateur de blocage | 7. Déflecteur |
| 3. Blocage de l'arbre télescopique | 8. Gâchette de marche |
| 4. Poignée auxiliaire | 9. Prises d'air |
| 5. Coupleur central | |



g362427

Figure 7

1. Chargeur de batterie 2 Ah (inclus avec le modèle 51838) 2. Batterie 2,5 Ah (incluse avec le modèle 51838)
-

Caractéristiques techniques

Modèle	51838/T
Tension nominale	60 V c.c. maximum, 54 V c.c. utilisation nominale
Type de chargeur	Chargeurs de batteries lithium-ion Flex-Force de 60 V
Type de batterie	Batteries lithium-ion Flex-Force 60 V*

*Si vous utilisez cet appareil avec une batterie de 8 Ah ou plus, vous devez installer la sangle à fixation rapide modèle 139-5334 (non incluse).

Plages de température adéquates

Charger/ranger la batterie entre	5 °C (41 °F) et 40 °C (104 °F)*
Utiliser la batterie entre	-30 °C (-22 °F) et 49 °C (120 °F)
Utiliser la débroussailleuse entre	0 °C (32 °F) et 49 °C (120 °F)
Ranger la débroussailleuse entre	0 °C (32 °F) et 49 °C (120 °F)*

*Le temps de charge sera plus long en dehors de cette plage de température.

Rangez l'outil, la batterie et le chargeur dans un lieu fermé, propre et sec.

Accessoires/outils

Une sélection d'outils et d'accessoires agréés par Toro est disponible pour augmenter et améliorer les capacités de l'appareil. Pour obtenir la liste de tous les accessoires et outils agréés, contactez votre dépositaire-réparateur ou votre distributeur Toro agréé, ou rendez-vous sur le site www.Toro.com.

Pour garantir un rendement optimal et conserver la certification de sécurité de la machine, utilisez uniquement des pièces de rechange et accessoires Toro d'origine. Les pièces de rechange et accessoires d'autres constructeurs peuvent être dangereux.

Utilisation

Démarrage de la débroussailleuse

1. Assurez-vous que les prises d'air de la débroussailleuse sont exemptes de poussière et de débris.
2. Alignez le creux de la batterie sur la languette de la tête motrice (Figure 8).
3. Poussez la batterie dans la tête motrice jusqu'à ce qu'elle s'enclenche dans le verrou (Figure 8).

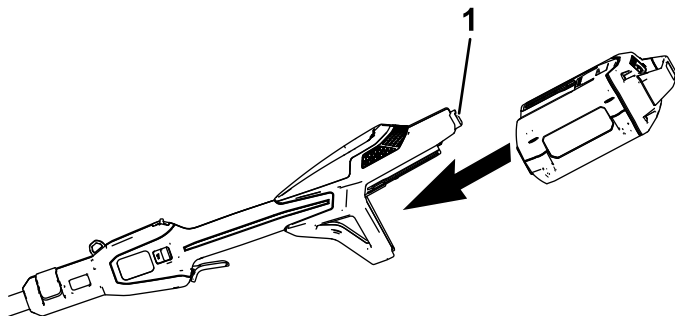


Figure 8

g507688

1. Verrou de batterie

-
4. Pour mettre la débroussailleuse en marche, tirez le commutateur de blocage en arrière, puis serrez la gâchette de vitesse variable (Figure 9).

Remarque: Faites coulisser le sélecteur de vitesse pour modifier la vitesse de la débroussailleuse.

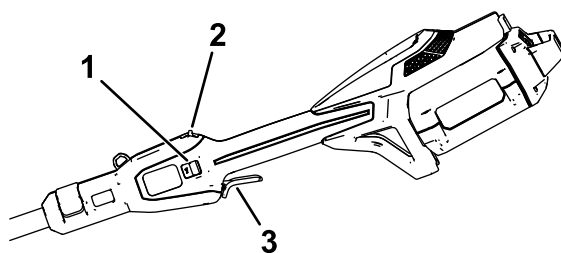


Figure 9

g507689

1. Sélecteur de vitesse
2. Commutateur de blocage
3. Gâchette de vitesse variable

Arrêt de la débroussailleuse

Pour arrêter la débroussailleuse, relâchez la gâchette et le commutateur de blocage.

Chaque fois que vous cessez d'utiliser la débroussailleuse ou que vous la transportez vers ou de la zone de travail, enlevez la batterie.

Retrait de la batterie de la débroussailleuse

Appuyez sur le verrou de la batterie pour la débloquer et sortez-la de l'appareil ([Figure 10](#)).

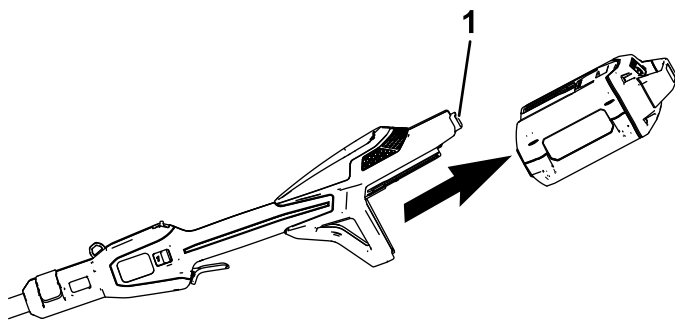


Figure 10

g507691

1. Verrou de batterie
-

Réglage de la position de la poignée auxiliaire

1. Desserrez le bouton de verrouillage au bas de la poignée auxiliaire.
2. Ajustez la position de la poignée auxiliaire sur l'arbre jusqu'à ce que la débroussailleuse puisse être maintenue dans une position neutre et confortable pendant l'utilisation.
3. Serrez le bouton de verrouillage pour fixer la poignée en place.

Réglage de longueur de l'arbre

1. Ouvrez le verrou de blocage devant de la poignée.
2. Allongez ou raccourcissez l'arbre jusqu'à ce que la débroussailleuse puisse être maintenue dans une position neutre et confortable pendant l'utilisation.
3. Refermez le verrou de de blocage pour fixer l'arbre télescopique en position.

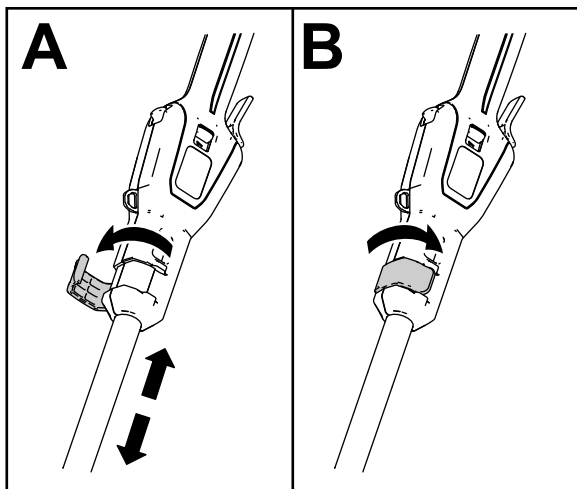


Figure 11

g507705

Avance automatique du fil (frappe sur le sol)

1. Faites fonctionner l'outil à plein régime.
2. Tapez la tête d'avancement sur le sol pour faire avancer le fil. Le fil avance chaque fois que vous tapez la tête sur le sol.

Important: Ne laissez pas la tête d'avancement en appui sur le sol pendant l'utilisation de la débroussailleuse.

Remarque: La lame de coupe du fil, située sous le déflecteur, coupe le fil à la longueur voulue.

Remarque: Si le fil est usé au point d'être trop court, il se peut que vous ne puissiez pas le faire avancer par choc sur le sol. Dans ce cas, relâchez à la fois la gâchette et le commutateur de blocage, et consultez la section [Avance manuelle du fil \(page 28\)](#).

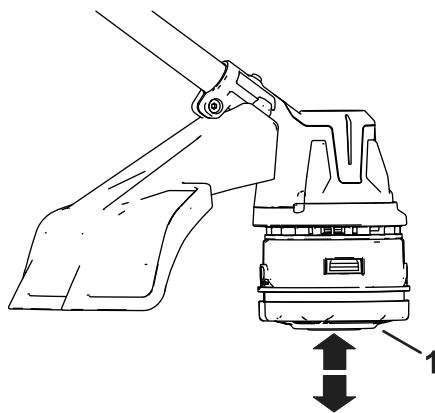


Figure 12

g507693

1. Tête d'avancement

Avance manuelle du fil

Retirez la batterie de la débroussailleuse, puis appuyez sur la tête d'avancement à la base du chapeau de fixation de la bobine tout en tirant le fil à la main pour le faire sortir.

Utilisation de la sangle

Important: Si vous utilisez la débroussailleuse filaire avec une batterie de 8 Ah ou plus, installez une sangle (non incluse).

Ne vous servez pas de la sangle si vous utilisez la débroussailleuse avec le bloc dorsal et son attache; dans ce cas, utilisez uniquement le harnais du bloc dorsal.

Accrochez le clip de la sangle à l'anneau de fixation en haut de la poignée (Figure 13).

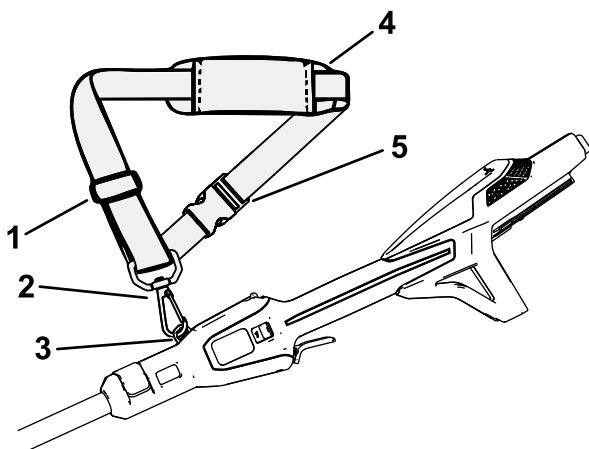


Figure 13

g507529

- | | |
|-----------------------------------|-----------------------------|
| 1. Boucle de réglage de la sangle | 4. Coussin d'épaule |
| 2. Clip pivotant | 5. Boucle à fixation rapide |
| 3. Anneau de fixation | |

Vous pouvez ajuster la longueur de la sangle en faisant coulisser la boucle de réglage vers le haut pour raccourcir la sangle ou vers le bas pour la rallonger (Figure 13).

Si jamais il s'avère nécessaire de retirer rapidement la sangle, détachez la boucle de fixation rapide comme suit :

1. Appuyez de chaque côté de la boucle (A de Figure 14).

2. La boucle va se détacher toute seule (B de [Figure 14](#)).

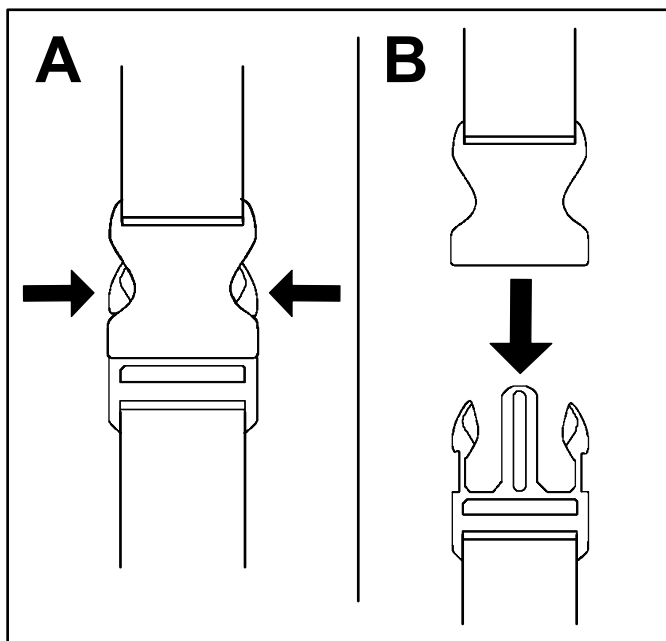


Figure 14

g340477

Charge de la batterie

Important: La batterie n'est pas complètement chargée à l'achat. Avant d'utiliser l'outil pour la première fois, placez la batterie dans le chargeur et chargez-la jusqu'à ce que les DEL indiquent que la batterie est complètement chargée. Lisez toutes les consignes de sécurité.

Important: Chargez la batterie uniquement à des températures comprises dans la plage adéquate; voir [Caractéristiques techniques](#) (page 24).

Remarque: À tout moment, appuyez sur le bouton indicateur de charge de la batterie pour afficher la charge actuelle (DEL).

1. Vérifiez que les événements et les bornes de charge de la batterie et du chargeur sont exempts de poussière et de débris.

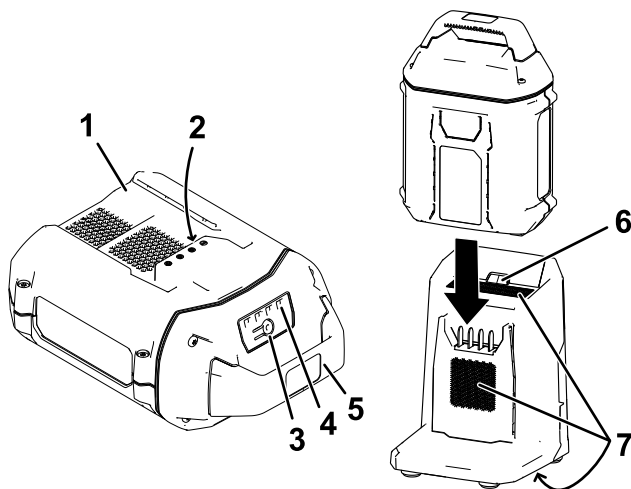




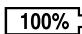



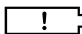

Figure 15

- | | |
|--------------------------------|---------------------------|
| 1. Crœux de la batterie | 5. Poignée |
| 2. Bornes de la batterie | 6. Diode du chargeur |
| 3. Bouton indicateur de charge | 7. Événements du chargeur |
| 4. DEL (charge actuelle) | |
2. Placez le crœux de la batterie (Figure 15) en face de la languette du chargeur.
 3. Glissez la batterie dans le chargeur jusqu'à ce qu'elle soit complètement enclenchée (Figure 15).
 4. Pour retirer la batterie du chargeur, faites-la glisser vers l'arrière.

g473274

5. Reportez-vous au tableau ci-dessous pour interpréter les indications de la diode sur le chargeur de batteries.

État de charge de la batterie

Symbole du chargeur	Voyant	Indication
 	Clignotement vert	La batterie est en charge
 	Verte	La batterie est chargée
 	Rouge	La température du chargeur et/ou de la batterie est supérieure ou inférieure à la plage appropriée.
 	Clignotement rouge	Anomalie de charge de la batterie*
	Éteint	Pas de batterie présente

*Voir la section [Dépistage des défauts \(page 40\)](#) pour plus de précisions.

Important: Vous pouvez laisser la batterie dans le chargeur pendant une courte période entre deux utilisations.

Si la batterie ne doit pas servir pendant une période prolongée, retirez-la du chargeur; voir [Remisage \(page 38\)](#).

Conseils d'utilisation

- Gardez la débroussailleuse inclinée vers la zone à couper, la meilleure zone de coupe.
- Pour couper, déplacez la débroussailleuse de droite à gauche. Cela évite la projection de débris dans votre direction.
- Utilisez l'extrémité du fil pour couper; ne forcez pas la tête de coupe dans l'herbe non coupée.
- Les câbles et clôtures peuvent accélérer l'usure du fil de coupe, voire même le casser. Les murs en pierre et en briques, les trottoirs et le bois peuvent également causer l'usure rapide du fil de coupe.
- Évitez de vous approcher des arbres et des buissons. Le fil de coupe peut facilement endommager l'écorce des arbres, les moulures en bois, les parements et les piquets.

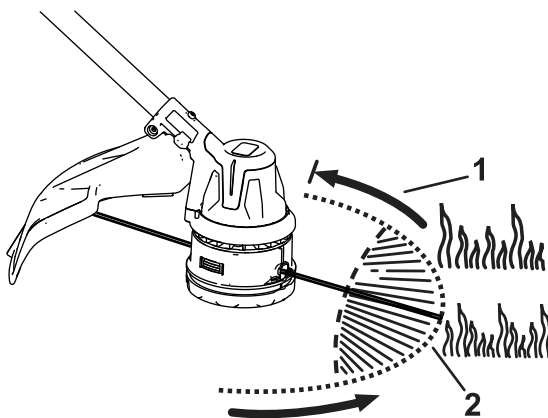


Figure 16

1. Sens de rotation

2. Trajectoire du fil de coupe

g507692

Entretien

Après chaque utilisation de la débroussailleuse, suivez les procédures ci-après :

1. Retirez la batterie de la débroussailleuse
2. Essuyez la débroussailleuse avec un chiffon humide. Ne lavez pas la débroussailleuse au jet d'eau et ne la trempez pas dans l'eau.

PRUDENCE

La lame de coupe du fil sur le déflecteur est tranchante et peut vous couper.

Ne nettoyez pas le déflecteur et la lame avec les mains.

3. Essuyez ou raclez la tête de coupe si des débris se sont accumulés dessus.
4. Contrôlez et resserrez toutes les fixations. Réparez ou remplacez les pièces éventuellement endommagées ou manquantes.
5. Enlevez à la brosse les débris accumulés sur la tête motrice et l'échappement sur le carter du moteur pour empêcher le moteur de surchauffer.

Remplacement du fil de coupe

Utilisez uniquement un fil de coupe monofilament de 2 mm (0,080 po) de diamètre ou un fil de coupe monofilament torsadé de 2,4 mm (0,095 po) de diamètre de la marque Toro.

1. Retirez la batterie de la débroussailleuse
2. Enlevez le fil qui reste encore dans la bobine en frappant plusieurs fois la tête d'avancement tout en faisant sortir la même longueur de fil de chaque côté de la tête.
3. Coupez un morceau de fil ne dépassant pas de 7,3 m (24 pi) de longueur.

Important: Ne surchargez pas la bobine.

Important: N'utilisez pas de fil de diamètre ou de type différent au risque d'endommager la débroussailleuse.

4. Appuyez et tournez le bas de la tête d'avancement dans la direction indiquée par les flèches (sens horaire) jusqu'à ce que les repères qui figurent sur le côté de la tête d'avancement soient en face des repères situés sous les œillets (Figure 17).

5. Insérez une extrémité du fil tout droit dans l'œillet et poussez le fil jusqu'à ce qu'il ressorte par l'œillet de l'autre côté.

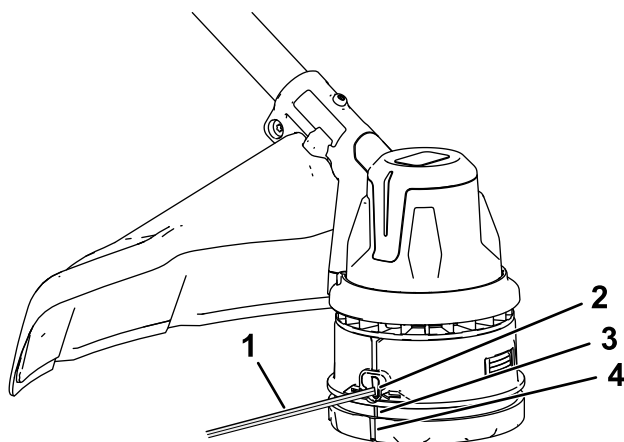


Figure 17

g507694

1. Fil de coupe
2. Œillet
3. Repère d'alignement d'œillet
4. Repère d'alignement de la tête d'avancement

Important: Ne démontez pas la tête de coupe.

6. Tirez le fil à travers les œillets jusqu'à obtention de la même longueur de fil de chaque côté de la tête de coupe.
7. Tenez la débroussailluse en place d'une main. De l'autre main, tournez le bas de la tête de coupe dans la direction indiquée par les flèches (sens horaire) au bas de la tête d'avancement pour enrouler le fil; laissez dépasser environ 152 mm (6 po) de fil des œillets de chaque côté.

Remplacements de la tête de coupe

1. Retirez la batterie de la débroussailleuse
2. Insérez un outil de petit diamètre (comme un tournevis) dans le boîtier du moteur et dans la rainure du ventilateur pour immobiliser la tête de coupe et l'empêcher de tourner toute seule (Figure 18).

Remarque: Une fois l'outil inséré dans le trou, tournez la tête de coupe jusqu'à ce que vous sentiez la tige tomber dans la rainure.

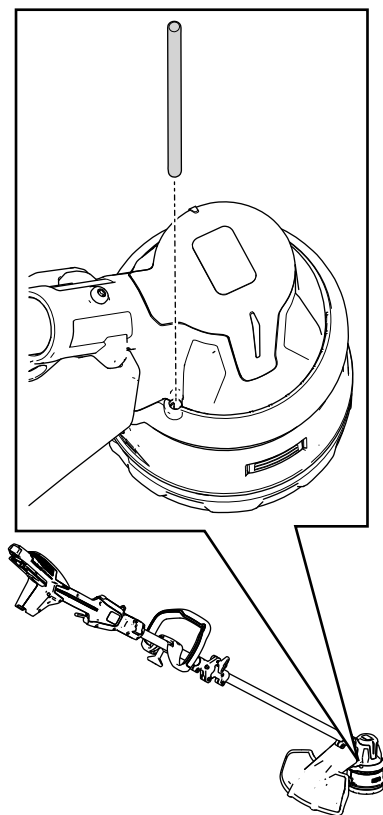


Figure 18

g512077

3. Une fois la tête de coupe fixée en place par la tige, tournez-la dans le sens antihoraire pour la retirer du montant fileté du boîtier (Figure 19).

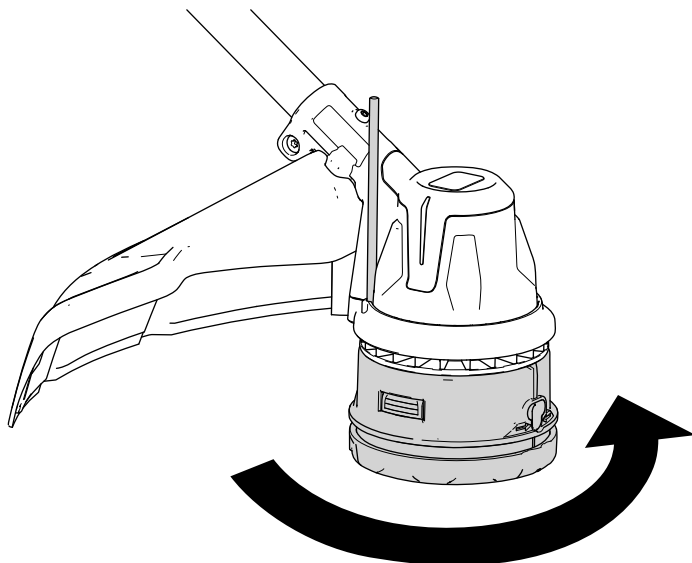


Figure 19

g516022

-
4. Pour installer la nouvelle tête de coupe, tournez-la dans le sens horaire sur le montant du boîtier tout en fixant le ventilateur avec un outil.

Remisage

Important: Remisez la machine, la batterie et le chargeur uniquement à des températures comprises dans la plage adéquate; voir [Caractéristiques techniques \(page 24\)](#).

Important: Si vous remisez la machine pendant un an ou plus, retirez la batterie et chargez-la jusqu'à ce que 1 ou 2 de ses DEL deviennent vertes. Ne remisez pas une batterie complètement chargée ou complètement déchargée. Avant de remettre la machine en service, chargez la batterie jusqu'à ce que la DEL gauche du chargeur devienne verte ou que les 4 DEL de la batterie deviennent vertes.



- Débranchez la machine de l'alimentation (autrement dit, retirez la batterie) et recherchez tout dommage éventuel après utilisation.
- Débarrassez la machine de tout corps étranger.
- Ne remisez pas la machine ou le chargeur en laissant la batterie dessus.
- Lorsqu'ils ne servent pas, rangez la machine, la batterie et le chargeur de batterie hors de la portée des enfants.
- Gardez la machine, la batterie et le chargeur à l'écart des agents corrosifs, tels les produits chimiques de jardinage et les sels de dégivrage.
- Pour réduire les risques de blessures graves, ne rangez pas la batterie à l'extérieur ou dans un véhicule.
- Rangez la machine, la batterie et le chargeur dans un local fermé, propre et sec.
- Lorsque vous repliez l'appareil pour le ranger, ne l'accrochez pas par le faisceaux de câblage.

Préparation de la batterie pour le recyclage

Important: Après avoir retiré la batterie, recouvrez les bornes de ruban adhésif épais. N'essayez pas de détruire ou de démonter la batterie ni de déposer aucun de ses composants.



Contactez votre municipalité locale ou votre dépositaire-réparateur ou distributeur agréé pour plus de renseignements sur le recyclage responsable de la batterie.

 Le logo Call2Recycle RBRCLi-ion est un cercle noir avec le mot "RECYCLE" en arc de cercle en haut, "R B R C" au centre, "Li-ion" en bas et le numéro "1-800-822-8837" en arc de cercle en bas.	<p>Les batteries lithium-ion qui portent le label Call2Recycle peuvent être recyclées auprès de n'importe quel revendeur ou centre de recyclage de batteries participant au programme Call2Recycle (États-Unis et Canada uniquement). Pour trouver le revendeur ou le centre participant le plus proche, téléphonez au 1-800-822-8837 ou rendez-vous sur www.call2recycle.org.</p>
 Le logo HEB Battery est un cercle noir avec "END-OF-LIFE MANAGEMENT" en arc de cercle en haut, "HEBATTERY.ORG" en arc de cercle en bas, et au centre un pictogramme d'une batterie avec un éclair et le texte "LITHIUM ION (Li-ion)".	<p>Les batteries lithium-ion qui portent le label HEB (batterie haute énergie) représenté ici, et les batteries Flex-Force de 60 V, 6 Ah ou plus, peuvent être recyclées auprès de n'importe quel dépositaire ou revendeur participant au programme Call2Recycle HEB. Pour trouver le dépositaire ou le revendeur le plus proche, rendez-vous sur www.hebattery.org.</p>

Si vous ne trouvez pas de revendeur ou de centre participant à proximité, ou pour tout renseignement sur le programme de recyclage auquel votre batterie peut prétendre, visitez le site du service client mentionné dans le manuel de l'utilisateur de votre outil/matériel pour plus de renseignements sur le recyclage responsable de la batterie.

Hors des États-Unis et du Canada, veuillez contacter votre dépositaire-réparateur ou distributeur agréé pour plus de renseignements sur le recyclage responsable de la batterie.

Dépistage des défauts

Effectuez uniquement les opérations décrites dans cette notice. Tout autre contrôle, entretien ou réparation doit être réalisé par un centre d'entretien agréé ou un spécialiste qualifié si vous n'arrivez pas à résoudre le problème vous-même.

Retirez toujours la batterie avant de dépanner, de contrôler, de nettoyer ou de faire l'entretien de l'outil.

Problème	Cause possible	Mesure corrective
L'outil ne fonctionne pas ou fonctionne par intermittence.	<ol style="list-style-type: none">1. La batterie n'est pas complètement installée dans l'outil.2. La batterie n'est pas chargée.3. La température de la batterie est supérieure ou inférieure à la plage de température adéquate.4. Il y a de l'humidité sur les fils de la batterie.5. La batterie est endommagée.6. L'outil a un problème de nature électrique.	<ol style="list-style-type: none">1. Retirez et remettez la batterie en place dans l'outil, en vérifiant qu'elle est complètement insérée et enclenchée.2. Retirez la batterie de l'outil et chargez-la.3. Placez la batterie dans un endroit sec, où la température est comprise entre 5 °C (41 °F) et 40 °C (104 °F).4. Laissez sécher ou essuyez la batterie.5. Remplacez la batterie.6. Contactez un dépositaire-réparateur agréé.
L'outil n'atteint pas sa pleine puissance ou le boîtier du moteur chauffe.	<ol style="list-style-type: none">1. La capacité de charge de la batterie est trop faible.2. Les prises d'air sont obstruées.	<ol style="list-style-type: none">1. Retirez la batterie de l'outil et chargez-la complètement.2. Nettoyez les prises d'air.

Problème	Cause possible	Mesure corrective
L'outil produit des vibrations ou des bruits excessifs.	<ol style="list-style-type: none"> 1. Des débris sont agglomérés sous le déflecteur d'herbe ou dans le carter de la tête d'avancement. 2. La bobine n'est pas correctement enroulée. 	<ol style="list-style-type: none"> 1. Enlevez les débris sous le déflecteur d'herbe ou dans le carter de la tête d'avancement. 2. Faites avancer le fil avec la tête d'avancement et/ou retirez le fil de la bobine et enroulez de nouveau la bobine.
La tête d'avancement ne fait pas avancer le fil.	<ol style="list-style-type: none"> 1. La débroussailleuse n'a plus de fil. 2. Le fil est emmêlé dans le carter de la tête d'avancement. 3. Des débris sont agglomérés sous le déflecteur d'herbe ou dans le carter de la tête d'avancement. 	<ol style="list-style-type: none"> 1. Ajoutez du fil sur la tête de coupe. 2. Retirez le couvercle de la tête d'avancement et démêlez le fil. 3. Enlevez les débris sous le déflecteur d'herbe ou dans le carter de la tête d'avancement.
La batterie se décharge rapidement.	<ol style="list-style-type: none"> 1. La température de la batterie est supérieure ou inférieure à la plage de température adéquate. 2. La débroussailleuse est surchargée. 	<ol style="list-style-type: none"> 1. Placez la batterie dans un endroit sec, où la température est comprise entre 5 °C (41 °F) et 40 °C (104 °F). 2. Travaillez plus lentement.
Le chargeur de batteries est défectueux.	<ol style="list-style-type: none"> 1. La température du chargeur de batteries est supérieure ou inférieure à la plage de température adéquate. 2. La prise utilisée pour brancher le chargeur n'est pas sous tension. 	<ol style="list-style-type: none"> 1. Débranchez le chargeur de batteries et placez-le dans un endroit sec où la température est comprise entre 5 et 40 °C (41 et 104 °F). 2. Demandez à un électricien qualifié de réparer la prise.
La DEL du chargeur de batteries est rouge.	<ol style="list-style-type: none"> 1. La température du chargeur et/ou de la batterie est supérieure ou inférieure à la plage de température adéquate. 	<ol style="list-style-type: none"> 1. Débranchez le chargeur et placez-le, ainsi que la batterie, dans un endroit sec où la température est comprise entre 5 et 40 °C (41 et 104 °F).

Problème	Cause possible	Mesure corrective
<p>La DEL du chargeur de batteries clignote en rouge.</p>	<ol style="list-style-type: none"> 1. Une erreur de communication s'est produite entre la batterie et le chargeur. 2. La batterie est faible. 	<ol style="list-style-type: none"> 1. Retirez la batterie du chargeur, débranchez le chargeur de la prise secteur et patientez 10 secondes. Rebranchez le chargeur sur la prise secteur et insérez la batterie dans le chargeur. Si la DEL du chargeur clignote encore en rouge, répétez cette procédure. Si la DEL du chargeur de batteries clignote encore en rouge après 2 tentatives, mettez la batterie au rebut correctement dans un centre de recyclage de batteries. 2. Débarrassez-vous correctement de la batterie dans un centre de recyclage de batteries.

Proposition 65 de Californie – Information concernant cet avertissement

En quoi consiste cet avertissement?

Certains produits commercialisés présentent une étiquette d'avertissement semblable à ce qui suit :



AVERTISSEMENT : Cancer et troubles de la reproduction – www.p65Warnings.ca.gov.

Qu'est-ce que la Proposition 65?

La Proposition 65 s'applique à toute société exerçant son activité en Californie, qui vend des produits en Californie ou qui fabrique des produits susceptibles d'être vendus ou importés en Californie. Elle stipule que le Gouverneur de Californie doit tenir et publier une liste des substances chimiques connues comme causant des cancers, malformations congénitales et/ou autres troubles de la reproduction. Cette liste, qui est mise à jour chaque année, comprend des centaines de substances chimiques présentes dans de nombreux objets du quotidien. La Proposition 65 a pour objet d'informer le public quant à l'exposition à ces substances chimiques.

La Proposition 65 n'interdit pas la vente de produits contenant ces substances chimiques, mais impose la présence d'avertissements sur tout produit concerné, sur son emballage ou sur la documentation fournie avec le produit. D'autre part, un avertissement de la Proposition 65 ne signifie pas qu'un produit est en infraction avec les normes ou exigences de sécurité du produit. De fait, le gouvernement californien a clairement précisé qu'un avertissement de la Proposition 65 « était différent d'une décision réglementaire établissant l'innocuité d'un produit ». Bon nombre de ces substances chimiques sont utilisées dans des produits du quotidien depuis des années, sans aucun effet nocif documenté. Pour plus de renseignements, rendez-vous sur <https://oag.ca.gov/prop65/faqs-view-all>.

Un avertissement de la Proposition 65 signifie qu'une société a soit (1) évalué l'exposition et conclu qu'elle dépassait le « niveau ne posant aucun risque significatif »; soit (2) choisi d'émettre un avertissement simplement sur la base de sa compréhension quant à la présence d'une substance chimique de la liste, sans tenter d'en évaluer l'exposition.

Cette loi s'applique-t-elle partout?

Les avertissements de la Proposition 65 sont exigés uniquement en vertu de la loi californienne. Ces avertissements sont présents dans tout l'état de Californie, dans des environnements très variés, notamment mais pas uniquement les restaurants, magasins d'alimentation, hôtels, écoles et hôpitaux, et sur un vaste éventail de produits. En outre, certains détaillants en ligne et par correspondance fournissent des avertissements de la Proposition 65 sur leurs sites internet ou dans leurs catalogues.

Quelles différences entre les avertissements de Californie et les limites fédérales?

Les normes de la Proposition 65 sont souvent plus strictes que les normes fédérales et internationales. Diverses substances exigent un avertissement de la Proposition 65 à des niveaux bien inférieurs aux limites d'intervention fédérales. Par exemple, la norme de la Proposition 65 en matière d'avertissements pour le plomb se situe à 0,5 µg/jour, soit bien moins que les normes fédérales et internationales.

Pourquoi l'avertissement ne figure-t-il pas sur tous les produits semblables?

- Pour les produits commercialisés en Californie, l'étiquetage Proposition 65 est exigé, tandis qu'il ne l'est pas sur des produits similaires commercialisés ailleurs.
- Il se peut qu'une société impliquée dans un procès lié à la Proposition 65 et parvenant à un accord soit obligée d'utiliser les avertissements de la Proposition 65 pour ses produits, tandis que d'autres sociétés fabriquant des produits semblables peuvent ne pas être soumises à cette obligation.
- L'application de la Proposition 65 n'est pas uniforme.
- Certaines sociétés peuvent choisir de ne pas indiquer d'avertissements car elles considèrent qu'elles n'y sont pas obligées au titre de la Proposition 65; l'absence d'avertissements sur un produit ne signifie pas que le produit ne contient pas de substances de la liste à des niveaux semblables.

Pourquoi cet avertissement apparaît-il sur les produits Toro?

Toro a choisi de fournir aux consommateurs le plus d'information possible afin qu'ils puissent prendre des décisions éclairées quant aux produits qu'ils achètent et utilisent. Toro fournit des avertissements dans certains cas d'après ses connaissances quant à la présence de l'une ou plusieurs des substances chimiques de la liste, sans en évaluer le niveau d'exposition, car des exigences de limites ne sont pas fournies pour tous les produits chimiques de la liste. Bien que l'exposition avec les produits Toro puisse être négligeable ou parfaitement dans les limites « sans aucun risque significatif », par mesure de précaution, Toro a décidé de fournir les avertissements de la Proposition 65. De plus, en l'absence de ces avertissements, la société Toro pourrait faire l'objet de poursuites par l'État de Californie ou par des particuliers cherchant à faire appliquer la Proposition 65, et donc être assujettie à d'importantes pénalités.

REV



Count on it.