



**Count on it.**

**Parts Catalog**

**52in Sprayer  
SprayMaster Max**

Model No. 34241—Serial No. 40000000 and Up



# Ordering Replacement Parts

To order replacement parts, please supply the part number, the quantity, and the description of each part desired.

## Understanding Reference Numbers

Each identified part in an illustration has a reference number. The reference number for a part also appears in the parts list, along with other information about the part.

This catalog uses two special reference number formats, one to indicate parts in a service assembly and another to indicate the quantity of a given part in an illustration.

## Service Assembly Reference Numbers

Parts in service assemblies have reference numbers in the form a:b. The a represents the reference number of the entire service assembly and the b represents a sequential number unique to each part within the service assembly.

For example, a wheel assembly might be identified by reference number 6, the tire by 6:1, the valve by 6:2, and the wheel by 6:3. When you order the assembly identified by reference number 6, you receive all parts identified by reference numbers 6:1, 6:2, and 6:3. However, you may also order any part individually. Reference numbers of this type appear in illustration and in parts lists.

## Reference Numbers Indicating Quantity

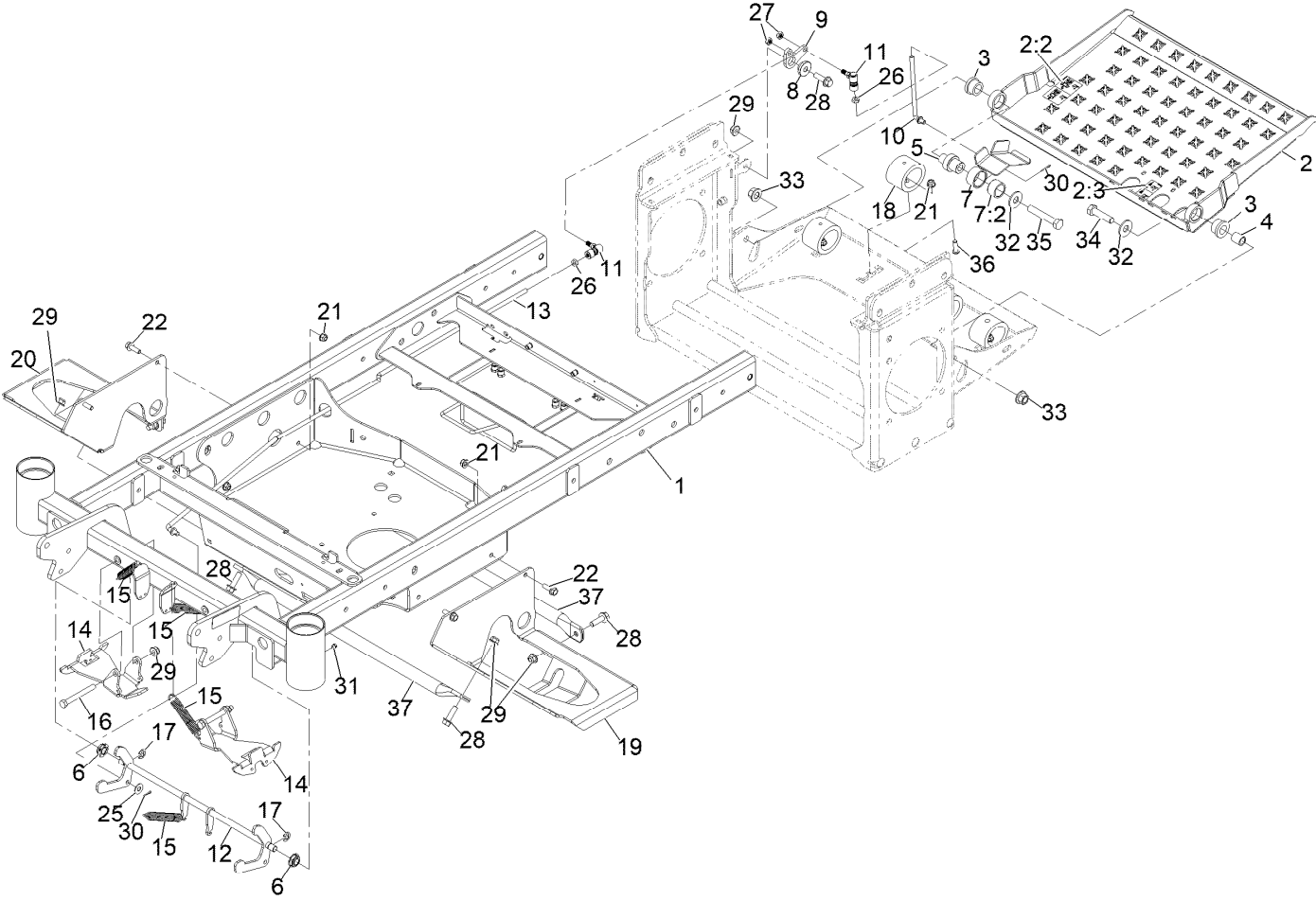
In an illustration, if a reference number indicates more than one part, the reference number has the form nX y. The n represents the quantity of the part, the X is the multiplication symbol, and the y represents the reference number.

For example, in an illustration, the reference number 2X 37 means that two of the parts identified by reference number 37 are indicated.

# Contents

Main Frame Assembly . . . . .	4
Main Frame Assembly No. 142-7523 . . . . .	6
Engine Assembly . . . . .	8
Hydraulic Transmission Assembly . . . . .	10
LH Transaxle Assembly No. 142-4466 . . . . .	12
RH Transaxle Assembly No. 142-4467 . . . . .	14
Pump Idler Assembly No. 142-8915 . . . . .	16
Expansion Hose Assembly No. 142-7303 . . . . .	18
Park Brake Assembly . . . . .	20
Brake Linkage Assembly . . . . .	22
Electrical Assembly . . . . .	24
Wire Harness Assembly No. 142-5493 . . . . .	26
Foot Switch Assembly . . . . .	28
Capacitor Harness Assembly No. 142-9333 . . . . .	30
Controls Assembly . . . . .	32
Tire Assembly . . . . .	34
Caster Wheels Assembly . . . . .	36
Fuel Tank Assembly . . . . .	38
Fuel Tank Assembly No. 142-7602 . . . . .	40
Hopper Assembly . . . . .	42
Hopper Motor Assembly . . . . .	44
Side Deflector Assembly . . . . .	46
Hopper Console Assembly . . . . .	48
Sprayer Tanks Assembly . . . . .	50
Sprayer Manifold Assembly No. 142-7050 . . . . .	52
Spray Boom Assembly . . . . .	54
Spray Pump Assembly . . . . .	56
Hose Reel Assembly . . . . .	58
Hose Reel Assembly No. 135-5787 . . . . .	60
Hopper Cover and Knee Pad Assembly . . . . .	62
Attachments and Accessories . . . . .	64

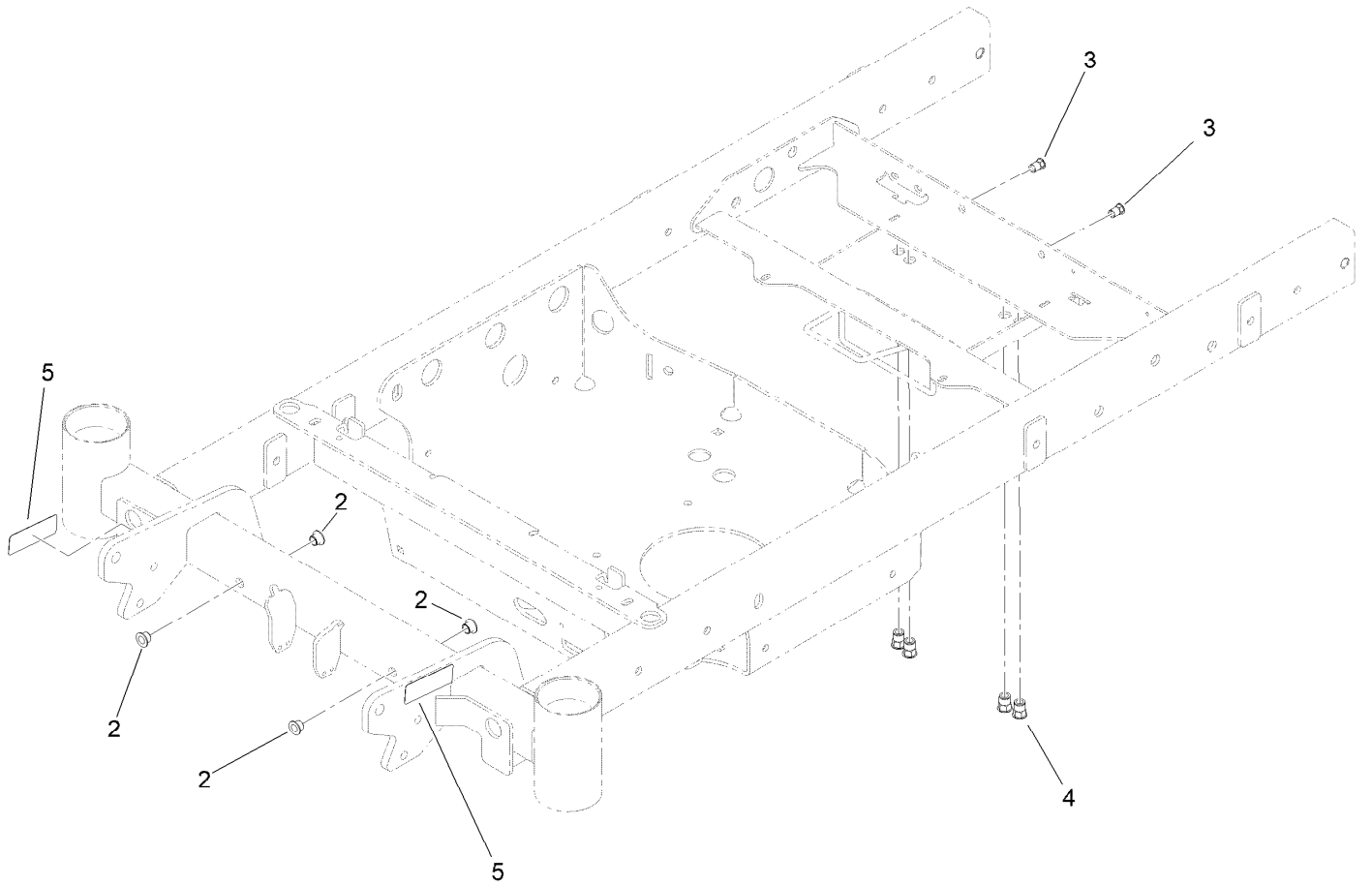
# Main Frame Assembly



## Main Frame Assembly (continued)

<i>Ref.</i>	<i>Part Number</i>	<i>Qty.</i>	<i>Description</i>	<i>Ref.</i>	<i>Part Number</i>	<i>Qty.</i>	<i>Description</i>
1	142-7523	1	Frame-Main	19	142-3868	1	Mount-Tank, Lower Lt
2	142-6877	1	Foot Plate W/Decals	20	142-3870	1	Mount-Tank, Lower Rt
2:2	135-6728	1	Decal-Button, Foot (Spray)	21	135-6109	9	Nut-Hex Flg 5/16-18 Nyloc SS
2:3	135-6430	1	Decal-Lock, Caster	22	135-6272	4	Screw-HHF 5/16-18 X 1 Serrated SS
3	142-6033	2	Bushing-Rubber	25	HDW14535	1	Washer-Flat 5/16 SS
4	142-6034	1	Spacer	26	107-0282	2	Nut-Hex 5/16-24 Jam SS
5	142-6878	1	Pivot-Pedal, Caster	27	142-5498	2	Nut-Lock, NI
6	126-5820	2	Bearing-Spherical	28	135-6211	5	Screw-HHF 3/8-16 X 1 1/4 Serrated SS
7	142-4222	1	Pedal-Lock, Caster	29	135-6110	7	Nut-Hex Flg 3/8-16 SS W/Patch SS
7:2	116-9538	1	Bushing	30	HDW14430	2	Cotter Pin 5/64X3/4 18-8
8	126-5989	1	Pivot-Flange	31	1-811010	2	Plug
9	142-3960	1	Crank-Deflector	32	3256-6	2	Washer
10	142-6879	1	Linkage-Pedal, Caster	33	99-5107	2	Nut-Lock 1/2-13
11	135-5718	2	Ball Joint-Quick Disconnect, SS	34	325-8	1	Screw-HH 1/2-13 X 1 1/4
12	142-4074	1	Crank-Lock, Caster	35	325-12	1	Screw-HH 1/2-13 X 3
13	142-4166	1	Linkage-Lock, Caster	36	119-6903	5	Screw-HSBH
14	142-4431	2	Arm-Lock, Caster	37	142-5579	2	Tube-Support, Lower
15	126-2127	4	Spring-Extension				
16	126-2661	2	Screw-HH				
17	142-4698	2	Ring-E				
18	135-2548	5	Bumper-Isolator				

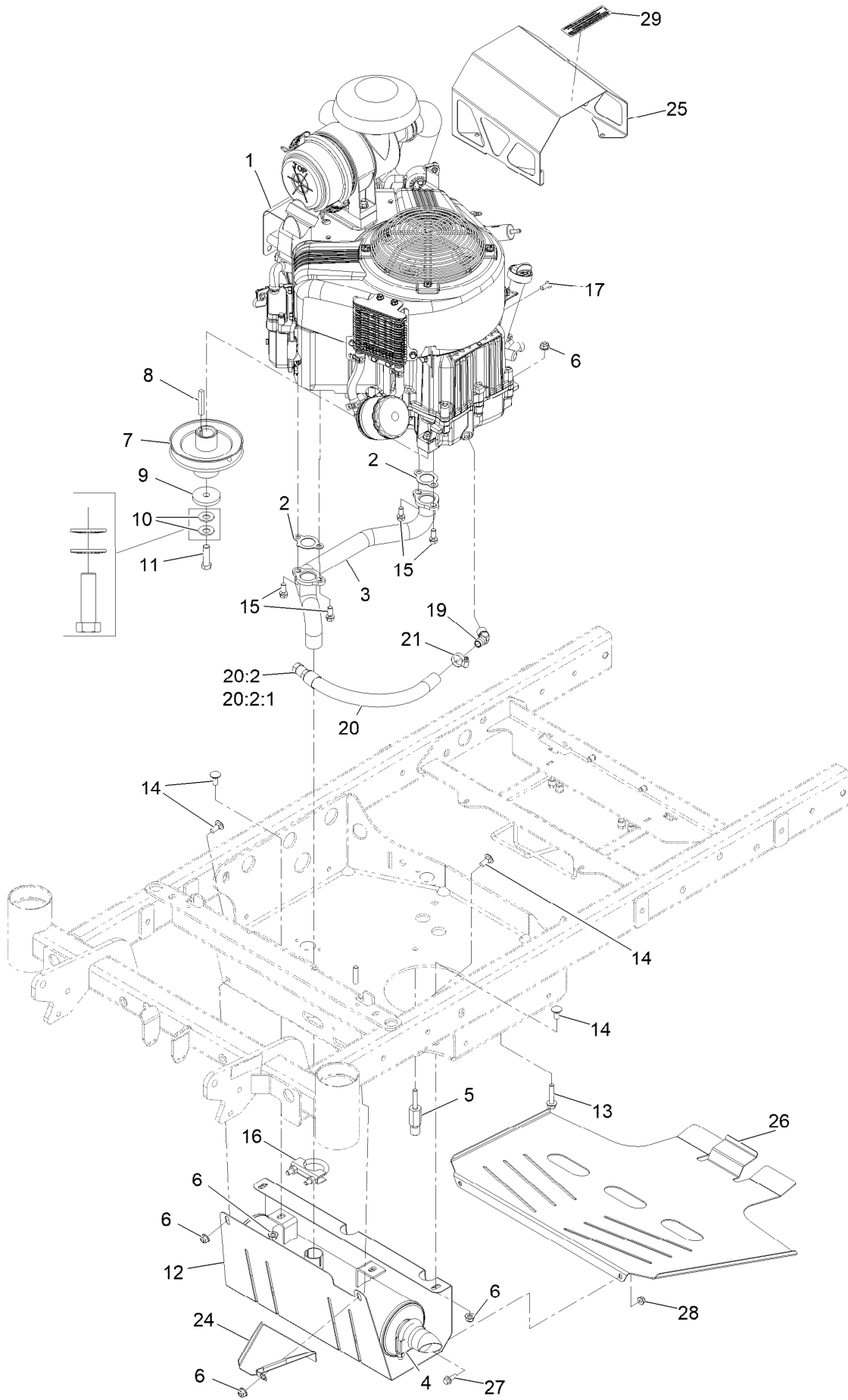
# Main Frame Assembly No. 142-7523



# Main Frame Assembly No. 142-7523 (continued)

<i>Ref.</i>	<i>Part Number</i>	<i>Qty.</i>	<i>Description</i>	<i>Ref.</i>	<i>Part Number</i>	<i>Qty.</i>	<i>Description</i>
2	137-2374	4	Bushing-Flange	4	142-7574	4	Nut-Clinch,Hex
3	138-2760	2	Nut-Clinch, Hex	5	120-0625	2	Decal-Warning

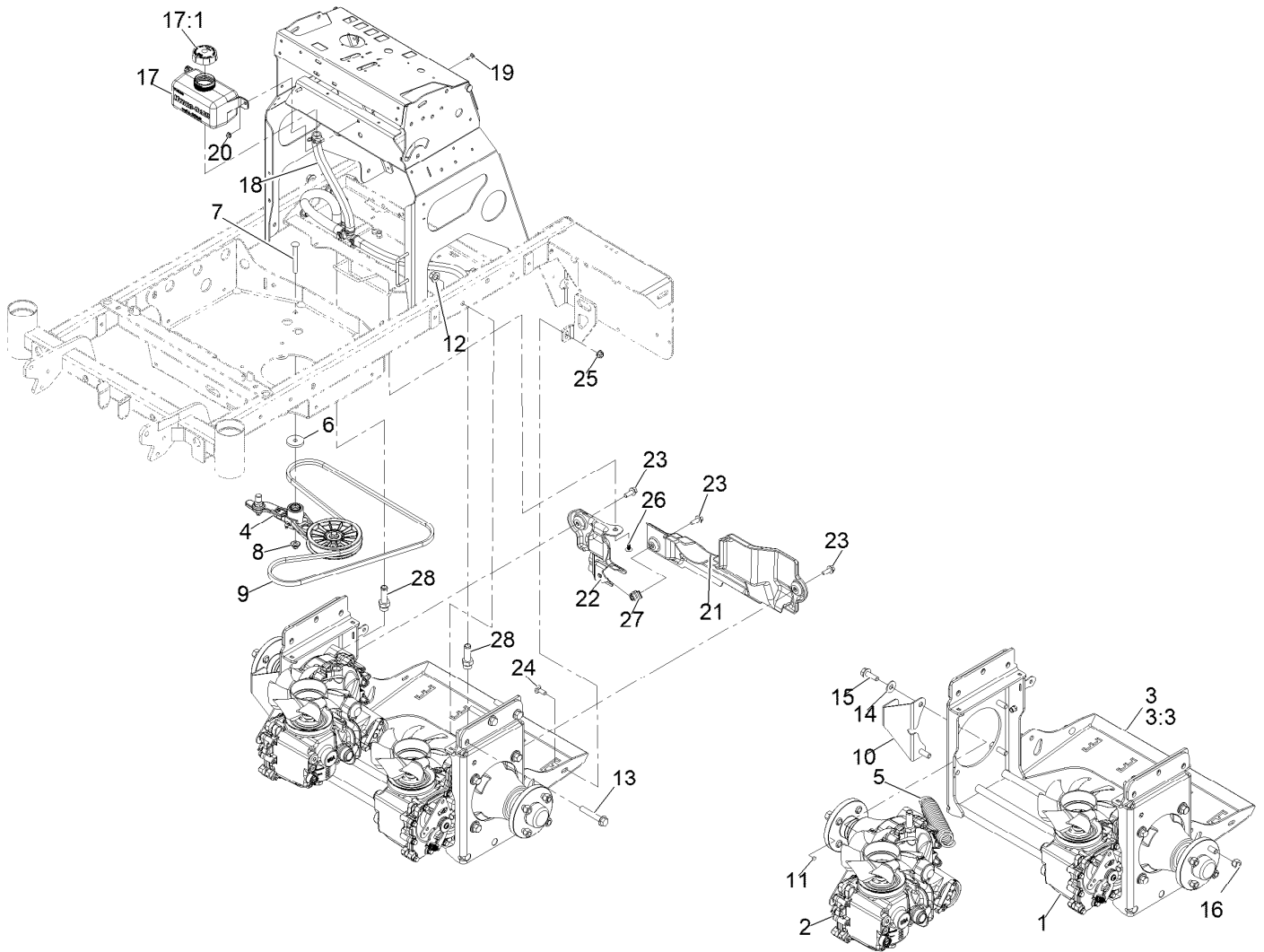
# Engine Assembly



## Engine Assembly (continued)

<i>Ref.</i>	<i>Part Number</i>	<i>Qty.</i>	<i>Description</i>	<i>Ref.</i>	<i>Part Number</i>	<i>Qty.</i>	<i>Description</i>
1	146-0661	1	Engine-Vanguard, 23HP Vert.	15	3274-96	4	Screw-HSBH
2	94-3449	2	Gasket-Manifold, Exhaust	16	2112-11	1	Clamp-Muffler
3	142-5567	1	Manifold-Muffler	17	110-0032	1	Screw-Bhtorx
4	142-5566	1	Muffler	19	116-2570	1	Elbow
5	142-3849	1	Pin-Spring Anchor	20	142-6685	1	Oil Drain Hose W/Plug
6	135-6109	10	Nut-Hex Flg 5/16-18 Nyloc SS	20:2	353-508	1	Plug-W/O-Ring
7	142-3845	1	Pulley-Engine	20:2:1	237-42	1	O-Ring
8	103-4177	1	Key	21	2412-36	1	Clamp-Hose
9	109-6919	1	Washer-Plain	24	142-7578	1	Plate-Pan, Oil
10	1-603610	2	Washer-Spring Disc 7/16	25	142-7868	1	Cover-Engine
11	109-9761	1	Screw-HH 7/16-20 X 1 1/2 W/Loctite	26	146-0653	1	Pan-Belly
12	142-3842	1	Guard-Muffler	27	135-6221	2	Screw-HHF 1/4-20 X 3/4 Serrated SS
13	142-0559	3	Screw-HHF	28	135-6108	2	Nut-Hex Flg 1/4-20 Nyloc SS
14	126-0695	6	Screw-Carriage 5/16-18 X 3/4 SS	29	133-8062	1	Decal-Spark Arrestor

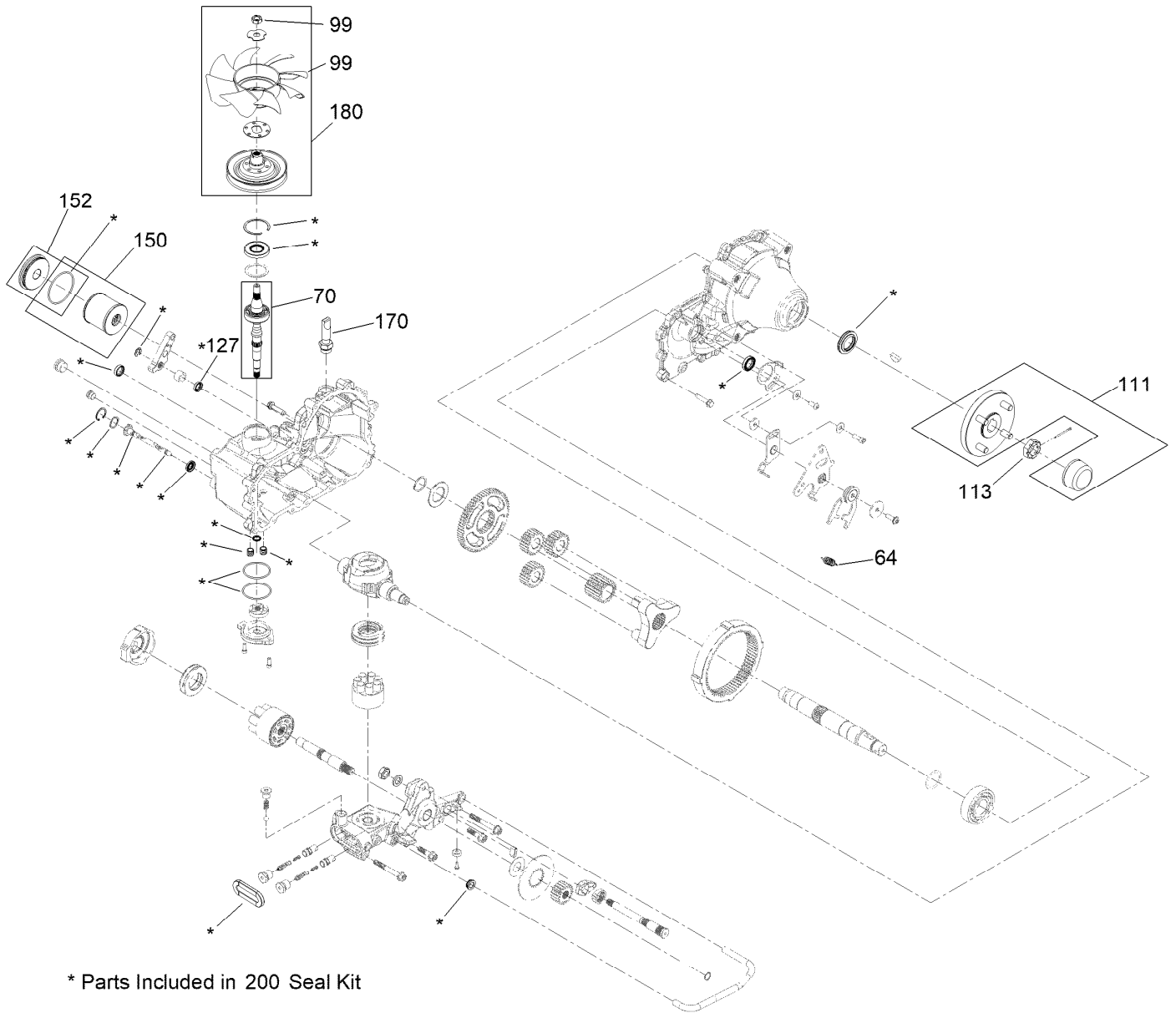
# Hydraulic Transmission Assembly



## Hydraulic Transmission Assembly (continued)

<i>Ref.</i>	<i>Part Number</i>	<i>Qty.</i>	<i>Description</i>	<i>Ref.</i>	<i>Part Number</i>	<i>Qty.</i>	<i>Description</i>
1	142-4466	1	Zt5400-Left	17	119-9908	1	Hydraulic Reservoir ASM
2	142-4467	1	Zt5400-Right	17:1	109-3320	1	Cap-Reservoir, HYD
3	142-7500	1	Frame-ASM, Zt5400	18	142-7303	1	ASM-Hose, Expansion
3:3	120-9570	1	Decal-Warning	19	HDW20143	2	Bolt, Carriage, 1/4-20X3/4, ST/ST
4	142-8915	1	ASM-Pump Idler	20	135-6108	2	Nut-Hex Flg 1/4-20 Nyloc SS
5	116-6317	1	Spring-Extension	21	142-8956	1	Cover-Rear, Lt
6	110-9981	1	Washer-Plain	22	142-8957	1	Cover-Rear, Rt
7	116-1502	1	Bolt-Carriage Shoulder 3/8-16 X 3 1/2	23	135-6208	3	Screw-HHF 3/8-16 X 1 Serrated SS
8	109-6658	1	Nut-Nyloc 3/8-16 Flg	24	126-0980	2	Bolt-Carriage 3/8-16 X 1 SS
9	142-9347	1	Belt-V, Cogged	25	135-6110	2	Nut-Hex Flg 3/8-16 SS W/Patch SS
10	142-4446	1	Bracket-Sensor, Speed	26	117-2382	1	Plug-Plastic
11	135-8903	1	Magnet-Speedometer	27	105-4886	1	Nut-Tinnerman
12	99-5107	6	Nut-Lock 1/2-13	28	142-7584	2	Fitting-Straight, 5/8 Hose Barb
13	3234-40	6	Screw-HF				
14	109-9505	8	Washer, Spring Disc 1/2				
15	100-6116	8	Screw-HHF				
16	139-2564	8	Nut-Lug				

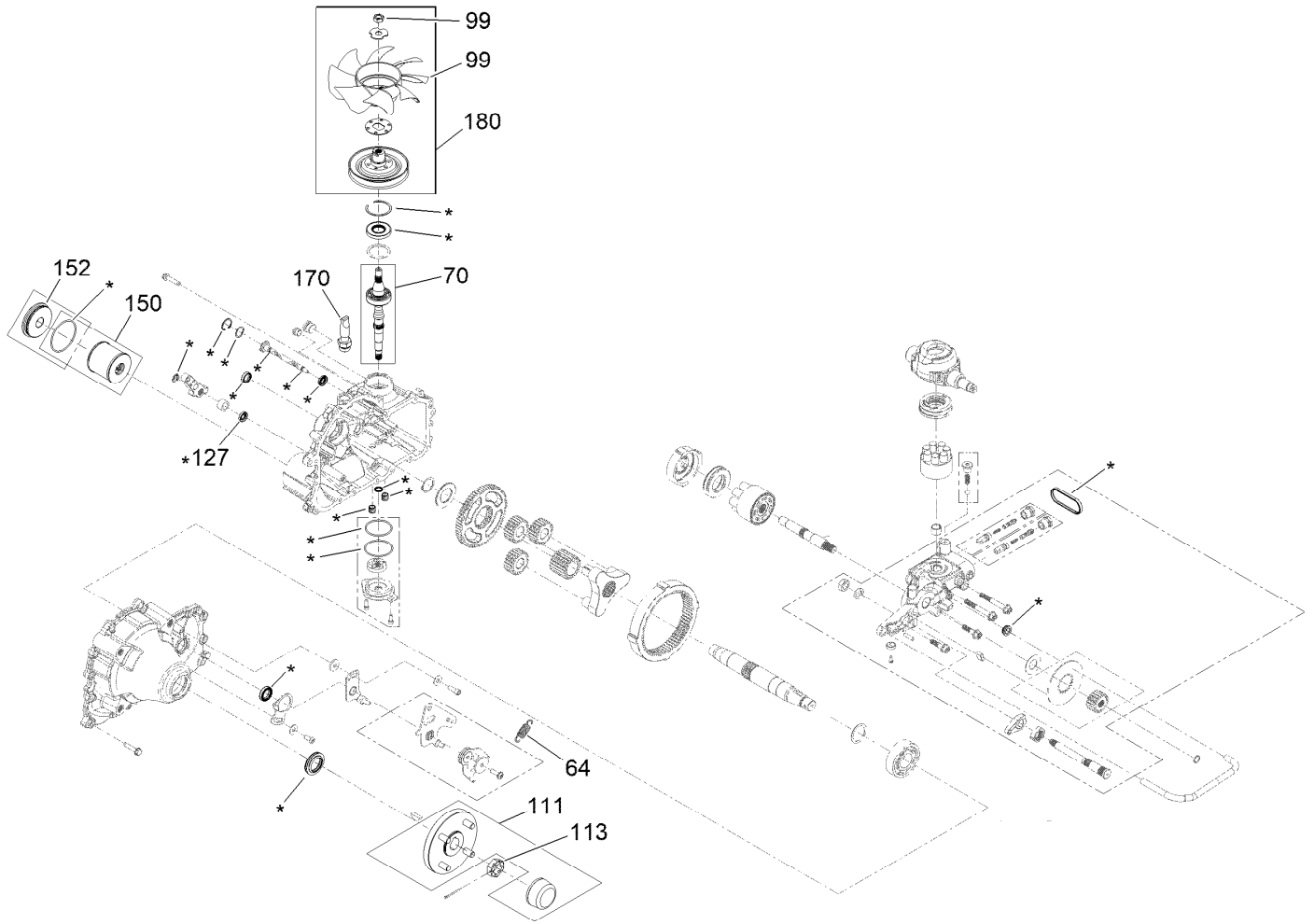
# LH Transaxle Assembly No. 142-4466



## LH Transaxle Assembly No. 142-4466 (continued)

<i>Ref.</i>	<i>Part Number</i>	<i>Qty.</i>	<i>Description</i>	<i>Ref.</i>	<i>Part Number</i>	<i>Qty.</i>	<i>Description</i>
64	109-5592	1	Spring-Extension	150	144-6603	1	Kit, Filter
70	147-1672	1	Kit, Input Shaft	152	144-6604	1	Kit, Filter Plug
99	116-9714	1	Nut-HJ	170	142-7584	1	Fitting-Straight, 5/8 Hose Barb
99	146-0648	1	Fan-8.25, 8 Blade	180	144-6602	1	Kit, Fan And Pulley
111	144-6594	1	Hub-4 Bolt	200	145-3683	1	Kit-Overhaul Seal
113	144-6595	1	Nut, Slotted				
127	145-3678	1	Seal, Lip-Brake				

# RH Transaxle Assembly No. 142-4467

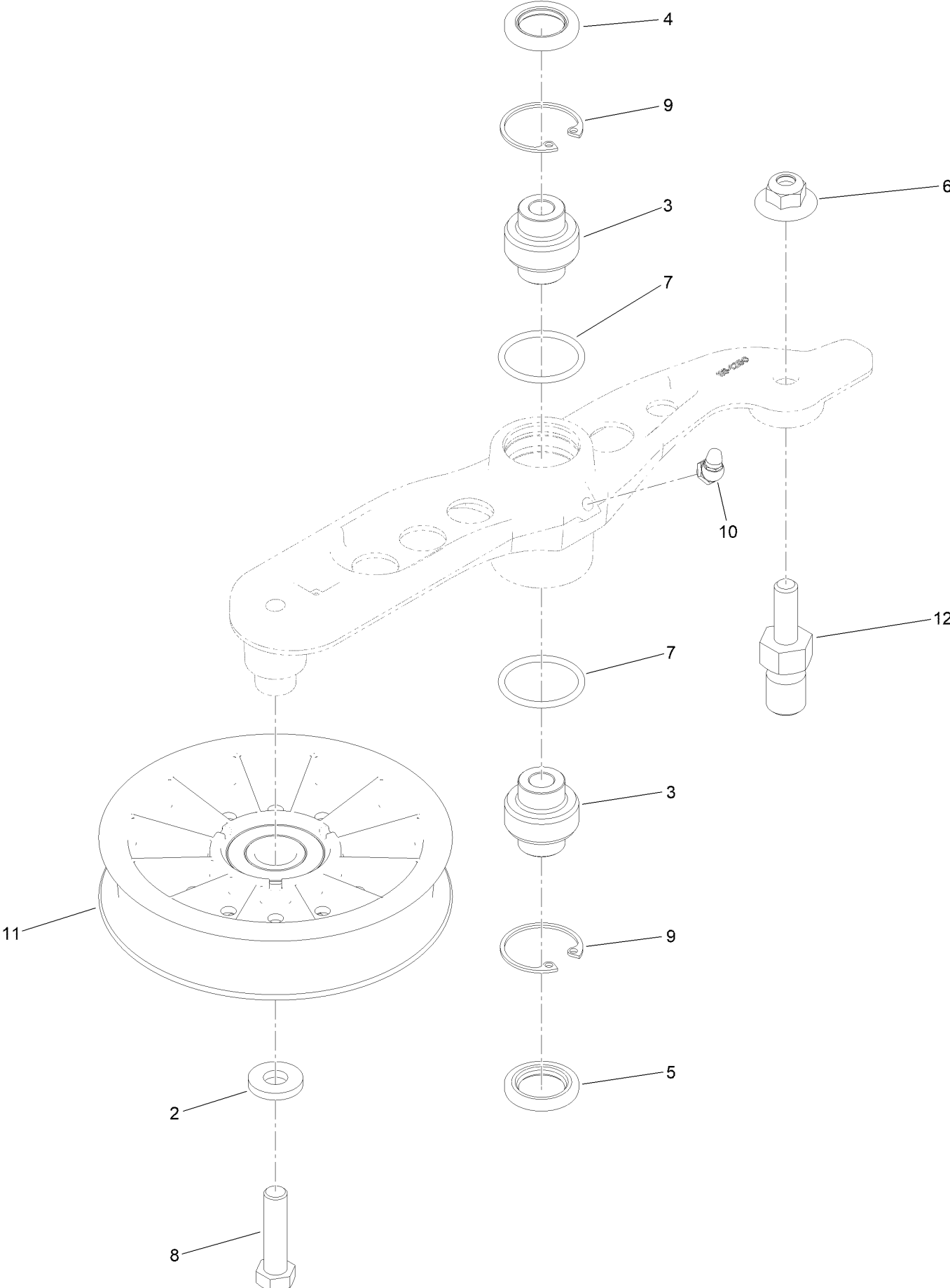


\* Parts Included in 200 Seal Kit

## RH Transaxle Assembly No. 142-4467 (continued)

<i>Ref.</i>	<i>Part Number</i>	<i>Qty.</i>	<i>Description</i>	<i>Ref.</i>	<i>Part Number</i>	<i>Qty.</i>	<i>Description</i>
64	109-5592	1	Spring-Extension	150	144-6603	1	Kit, Filter
70	147-1672	1	Kit, Input Shaft	152	144-6604	1	Kit, Filter Plug
99	116-9714	1	Nut-HJ	170	142-7584	1	Fitting-Straight, 5/8 Hose Barb
99	146-0648	1	Fan-8.25, 8 Blade	180	144-6602	1	Kit, Fan And Pulley
111	144-6594	1	Hub-4 Bolt	200	145-3683	1	Kit-Overhaul Seal
113	144-6595	1	Nut, Slotted				
127	145-3678	1	Seal, Lip-Brake				

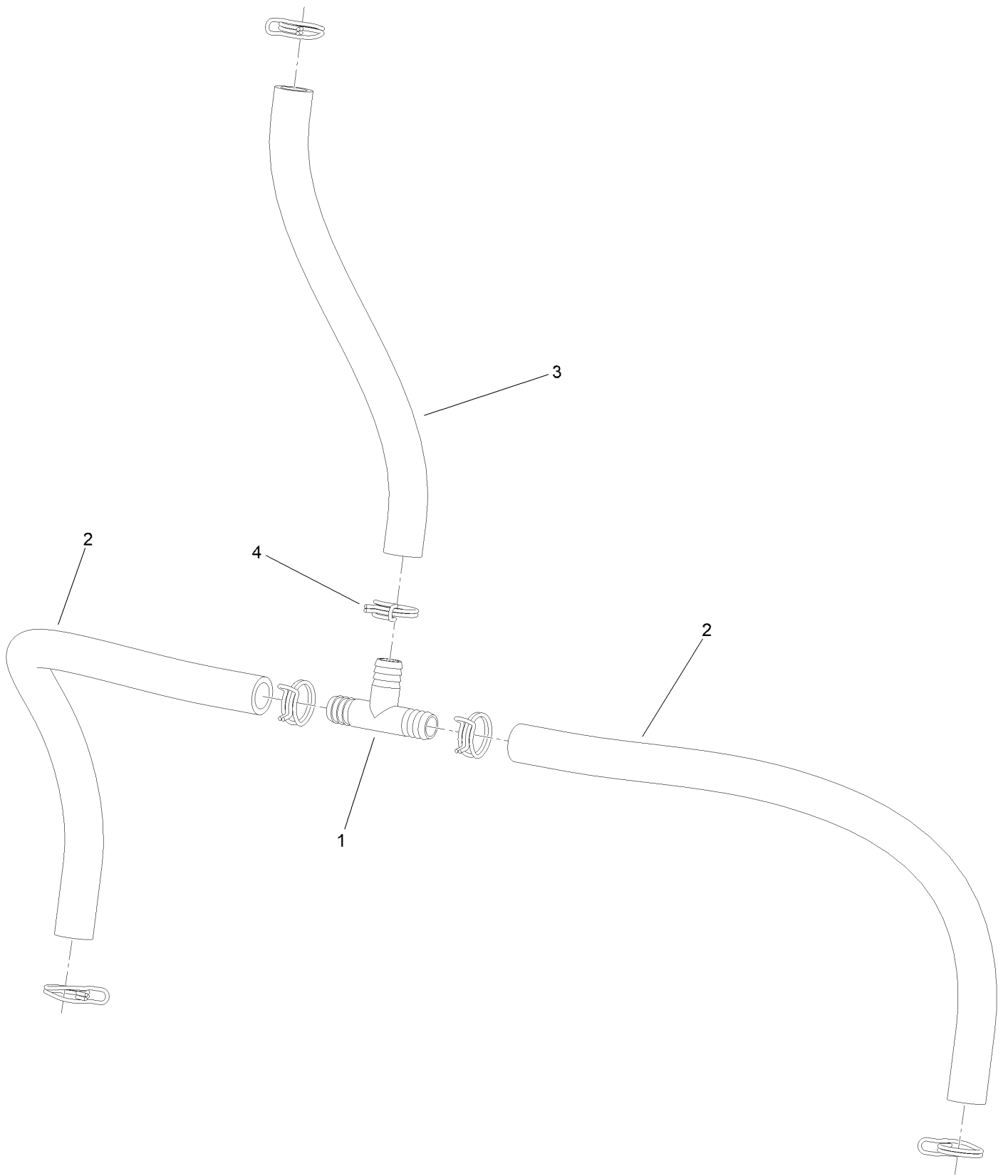
# Pump Idler Assembly No. 142-8915



## Pump Idler Assembly No. 142-8915 (continued)

<i>Ref.</i>	<i>Part Number</i>	<i>Qty.</i>	<i>Description</i>	<i>Ref.</i>	<i>Part Number</i>	<i>Qty.</i>	<i>Description</i>
2	43-0940	1	Spacer	8	323-8	1	Screw-HH
3	103-3504	2	Bearing-Spherical	9	32120-10	2	Ring-Snap
4	103-3505	1	Seal-Lip, Double	10	302-61	1	Fitting-Grease
5	103-3506	1	Seal-Lip, Single	11	109-8076	1	Pulley-Idler
6	109-6658	1	Nut-Flange, NI	12	132-4724	1	Pin-Anchor, Spring
7	106-7159	2	O-Ring				

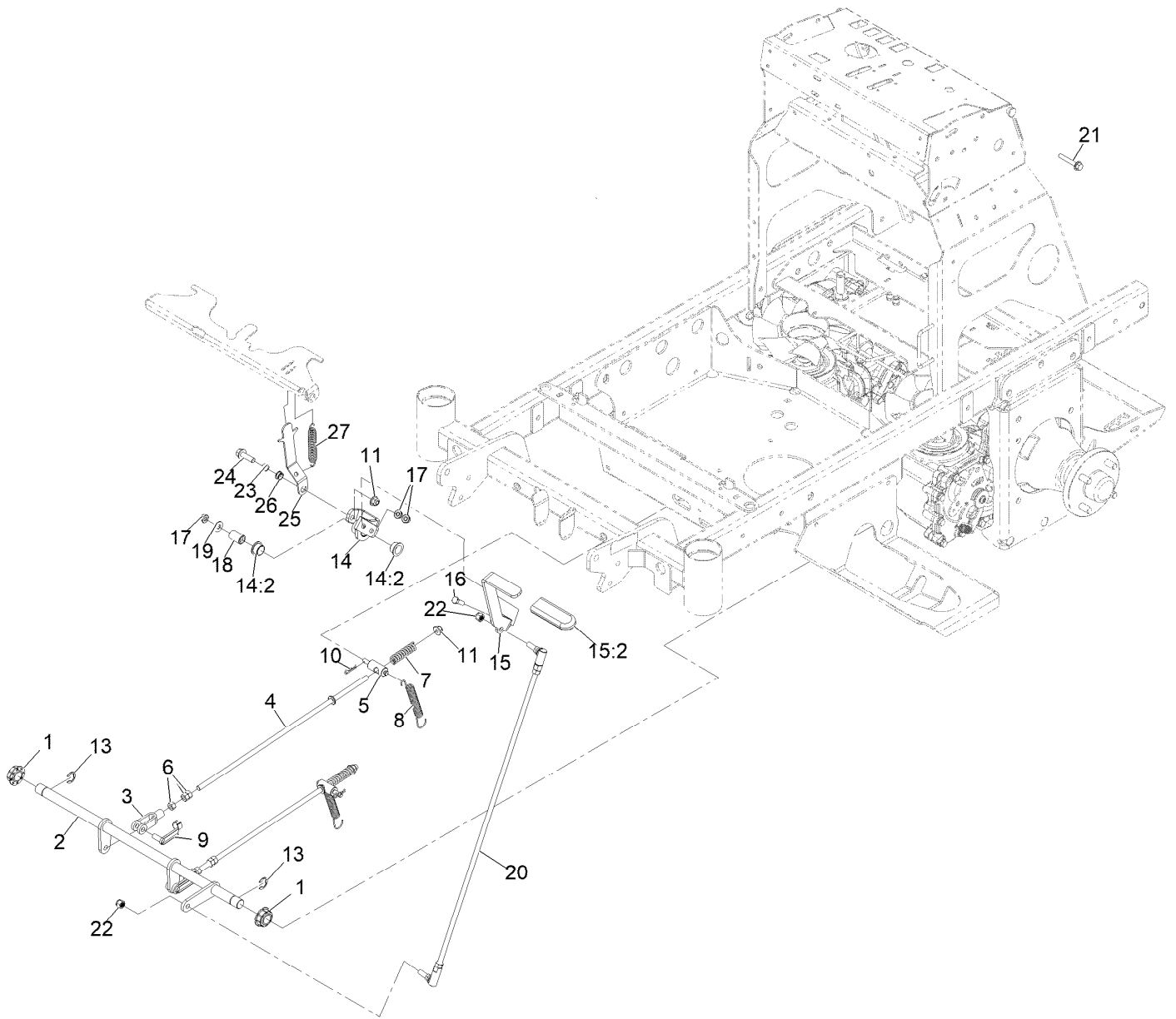
# Expansion Hose Assembly No. 142-7303



# Expansion Hose Assembly No. 142-7303 (continued)

<i>Ref.</i>	<i>Part Number</i>	<i>Qty.</i>	<i>Description</i>	<i>Ref.</i>	<i>Part Number</i>	<i>Qty.</i>	<i>Description</i>
1	132-5127	1	Tee	3	142-7305	1	Hose-Upper, 5/8 ID
2	142-7304	2	Hose-Lower, 5/8 ID	4	140-4908	6	Clamp-Hose

# Park Brake Assembly

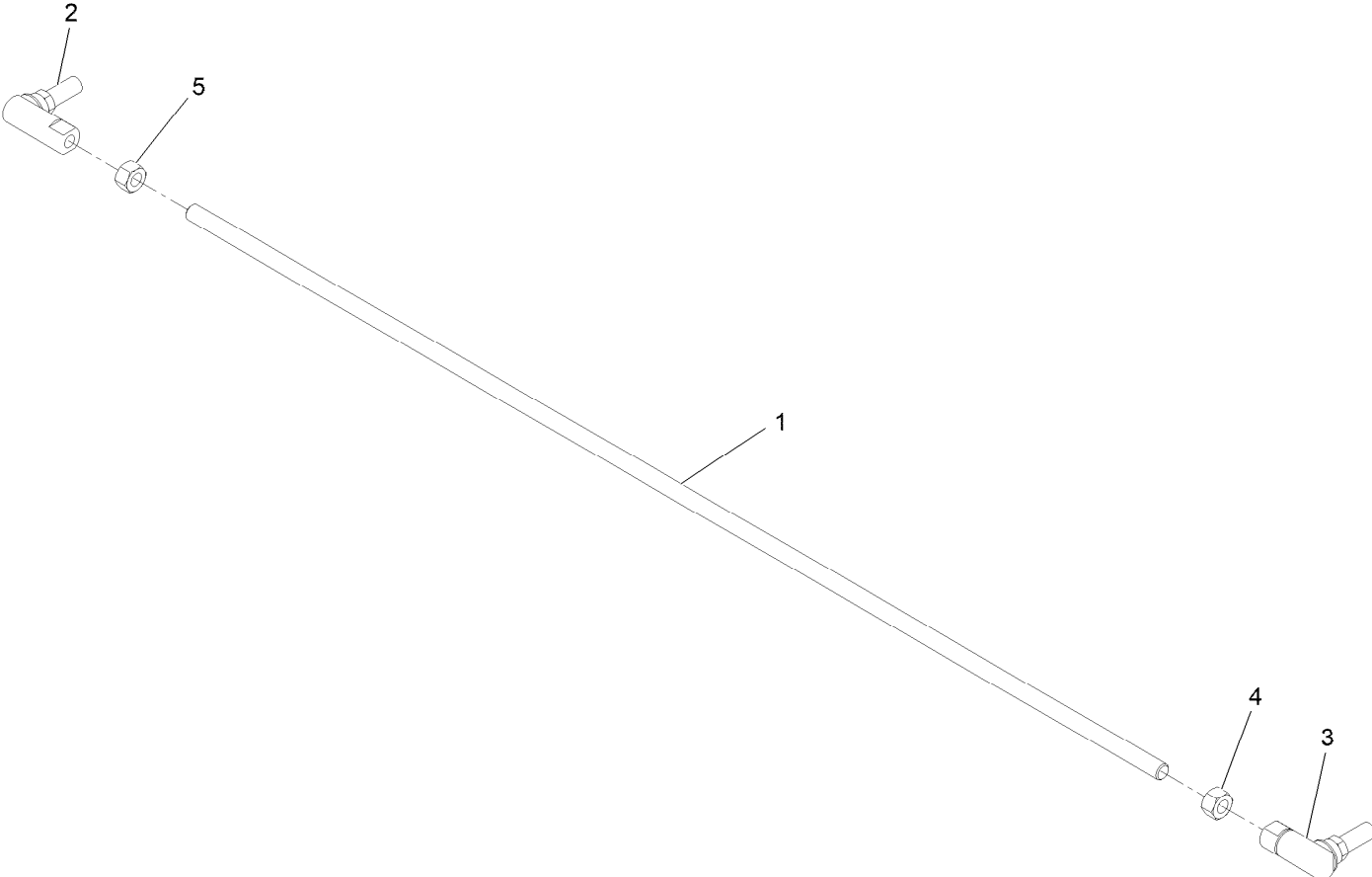


## Park Brake Assembly (continued)

<i>Ref.</i>	<i>Part Number</i>	<i>Qty.</i>	<i>Description</i>	<i>Ref.</i>	<i>Part Number</i>	<i>Qty.</i>	<i>Description</i>
1	142-4668	2	Bearing-Spherical	15:2	132-4749	1	Grip-Lever
2	142-3832	1	Brake ASM	16	126-0683	2	Screw-HH
3	1-633131	2	Yoke-Linkage, Brake	17	135-6109	3	Nut-Hex Flg 5/16-18 Nyloc SS
4	142-3860	2	Rod-Brake	18	142-3879	1	Spacer-Brake, Linkage
5	142-3859	2	Fitting-Rod, Brake	19	HDW14535	1	Washer-Flat 5/16 SS
6	126-0687	6	Nut-Hex 3/8-24 SS	20		1	Linkage-Brake ●
7	142-3901	2	Spring-Compression	21	126-2711	1	Screw-HHF 5/16-18 X 2 Serrated SS
8	142-3902	2	Spring-Extension	22	135-7741	2	Nut-Hex Nyloc 3/8-24 SS
9	103-2399	2	Pin-Clevis Spring 3/8	23	142-7468	1	Spacer-Brake Pivot
10	1-806003	2	Hairpin-Cotter	24	135-6211	1	Screw-HHF 3/8-16 X 1 1/4 Serrated SS
11	135-6110	3	Nut-Hex Flg 3/8-16 SS W/Patch SS	25	142-6701	1	Link-Brake Control Lock
13	142-4693	2	Retainer, E-Ring	26	116-1393	1	Bushing
14	142-5500	1	Handle-Brake, ASM	27	132-6915	1	Spring-Extension
14:2	109-8054	2	Bushing-Flanged				
15	142-6870	1	ASM-Handle, W/ Grip				

● Not serviced separately

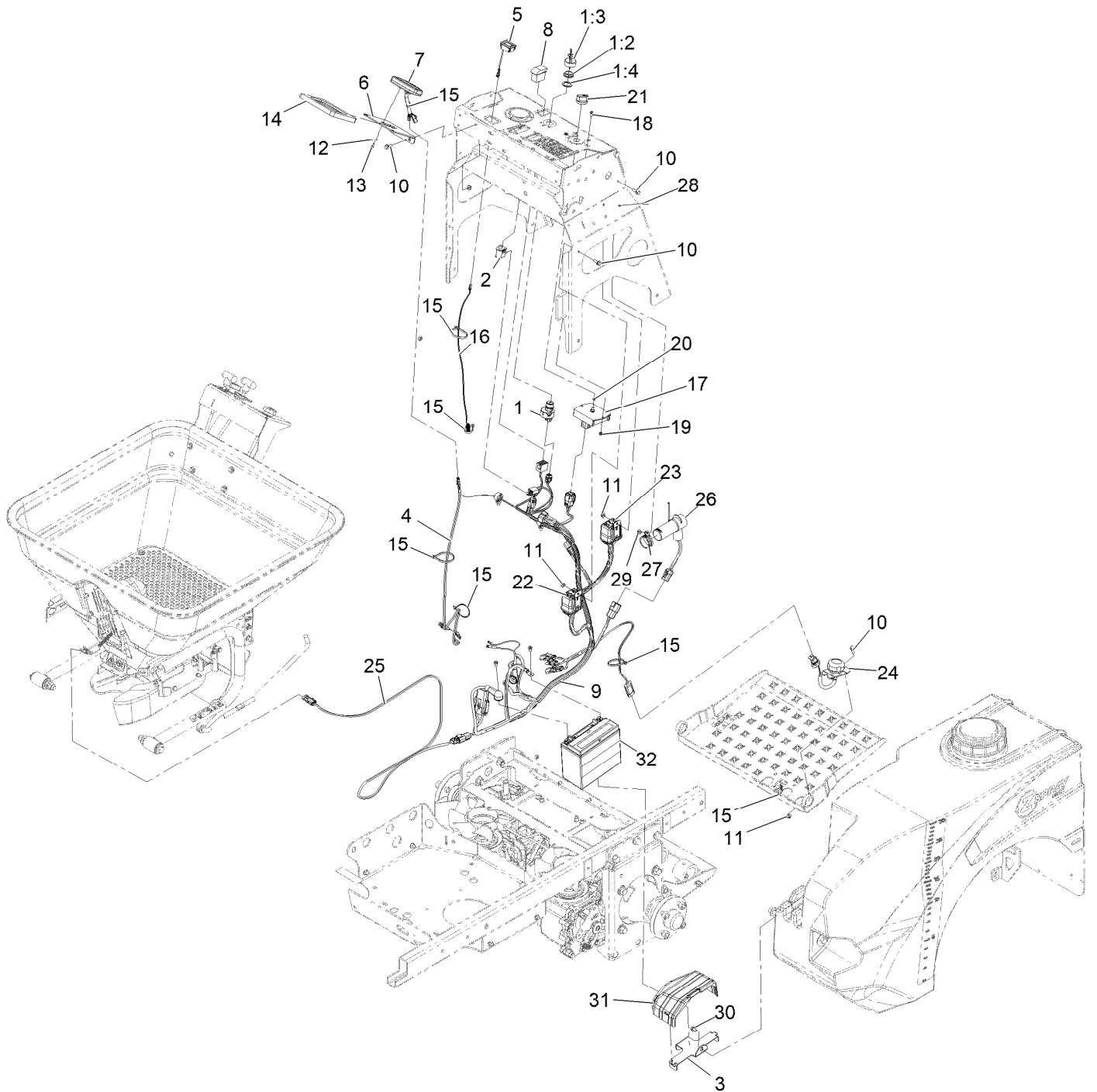
# Brake Linkage Assembly



## Brake Linkage Assembly (continued)

<i>Ref.</i>	<i>Part Number</i>	<i>Qty.</i>	<i>Description</i>	<i>Ref.</i>	<i>Part Number</i>	<i>Qty.</i>	<i>Description</i>
1	142-3876	1	Rod-Brake, Linkage	4	126-0688	1	Nut-Hex 3/8-24 SS LH
2	135-7739	1	Ball Joint-SS	5	126-0687	1	Nut-Hex 3/8-24 SS
3	135-7740	1	Ball Joint-SS				

# Electrical Assembly



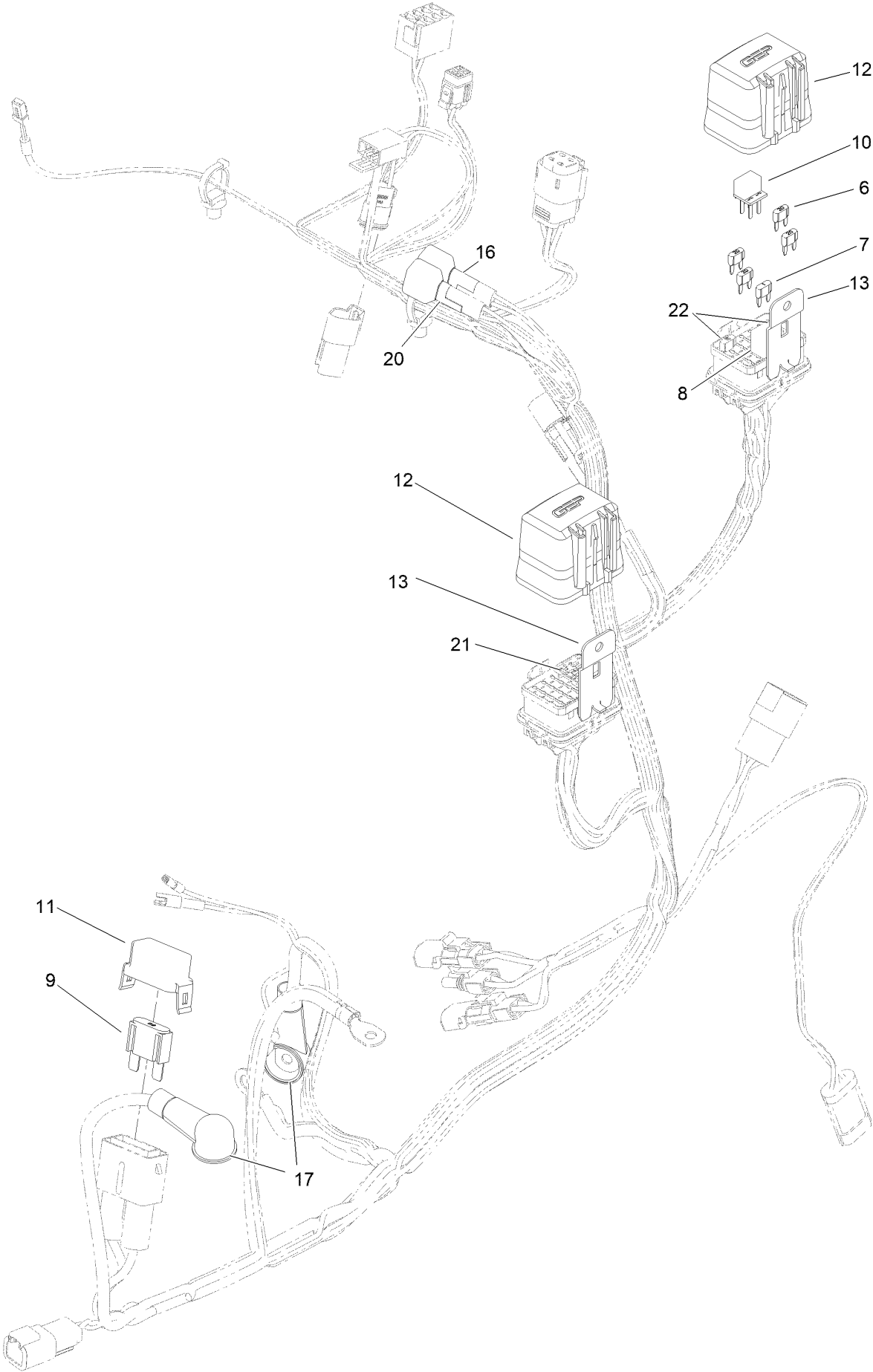
## Electrical Assembly (continued)

<i>Ref.</i>	<i>Part Number</i>	<i>Qty.</i>	<i>Description</i>	<i>Ref.</i>	<i>Part Number</i>	<i>Qty.</i>	<i>Description</i>
1	126-6285	1	Ignition Switch ASM	17	146-6125	1	Controller-Motor, Spreader
1:2	108-8660	1	Nut-Mounting	18	112-3169	2	Screw-HHF, Serrated
1:3	106-5270	1	Ignition Key Set	19	520-0006	2	Nut-Hex, Nylock
1:4	108-8659	1	Washer-Backup	20	360-0497	1	O-Ring
2	82-2190	1	Switch	21	142-7061	1	Knob-Indicating
3	142-7882	1	Strap-Battery	22	142-8081	1	Decal-Fuse,Solid State
4	135-8898	1	Cable-Sensor, Trail Tech	23	142-8079	1	Decal-Fuse,Main
5	135-5259	1	Meter-Tach/Hour	24		1	Switch-Foot ■
6	142-5553-05	1	Mount-Display	25	142-7224	1	Harness-Spreader Motor
7	135-8900	1	Striker-Head Only	26	142-9333	1	Harness-Capacitor
8	100-8469	1	Switch-Rocker	27	142-8944	1	Clamp-R, Cushion
9	142-5493	1	Harness	28	135-6356	1	Screw-HH #10-24 X 3/4 SS
10	135-6221	5	Screw-HHF 1/4-20 X 3/4 Serrated SS	29	135-6342	1	Nut-Hex Flg #10-24 Nyloc SS
11	135-6108	5	Nut-Hex Flg 1/4-20 Nyloc SS	30	142-5490	1	Screw-HWH, Patch
12	126-0759	2	Washer-Flat	31	146-0151	1	Cover-Battery
13	135-6357	2	Screw-HSH M4-0.7 X 10Mm	32	142-7345	1	Battery - Agm, 12V, 310 CCA
14	142-6690	1	Pad-Display Mount	99	135-7317	1	Manual-User, Striker ●
15	3290-378	7	Tie-Cable	99	135-7318	1	Card-Striker, Quick Start ●
16	135-6118	1	Wire-Tachometer				

● Not illustrated

■ Not serviced separately

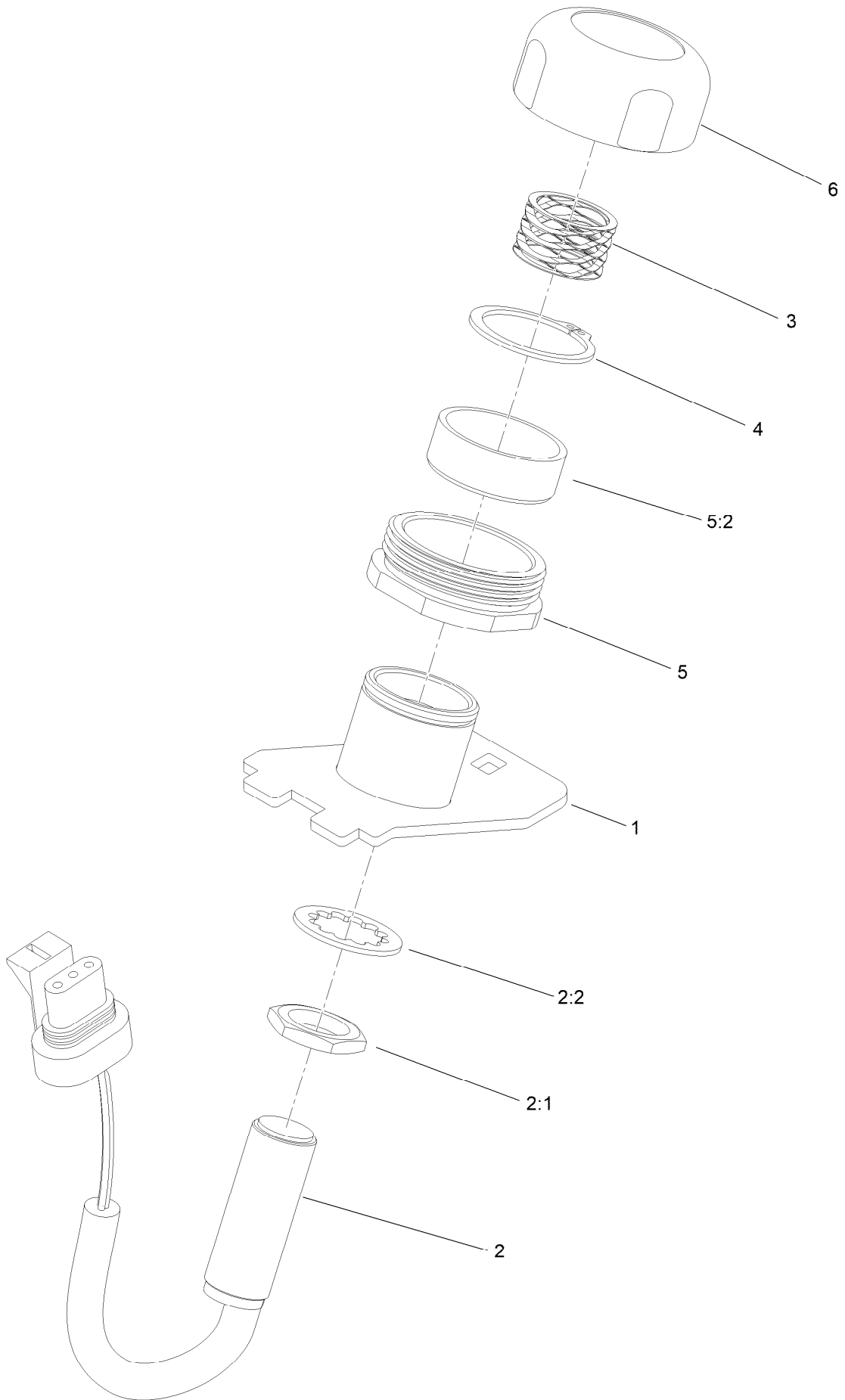
# Wire Harness Assembly No. 142-5493



## Wire Harness Assembly No. 142-5493 (continued)

<i>Ref.</i>	<i>Part Number</i>	<i>Qty.</i>	<i>Description</i>	<i>Ref.</i>	<i>Part Number</i>	<i>Qty.</i>	<i>Description</i>
6	121-8868	4	Fuse-Mini Blade, 20 Amp	13	32180-177	2	Clip-Mounting
7	142-5463	1	Fuse-Mini Blade, 1 Amp	16	100-4918	1	Diode
8	126-3991	1	Relay-Micro	17	32180-008	2	Insulator-Lug, Red
9	114-3342	1	Fuse-Maxi, 60 Amp	20	103-3895	1	Diode
10	135-5221	1	Relay-Coil, NC, Mp280	21	142-7431	1	Pca-High Power Ssr
11	32181-014	1	Cover-Fuse Holder, Maxi	22	121-8867	2	Fuse-Mini Blade, 15 Amp
12	32181-013	2	Cover-Fuseblock, 24F, Gep				

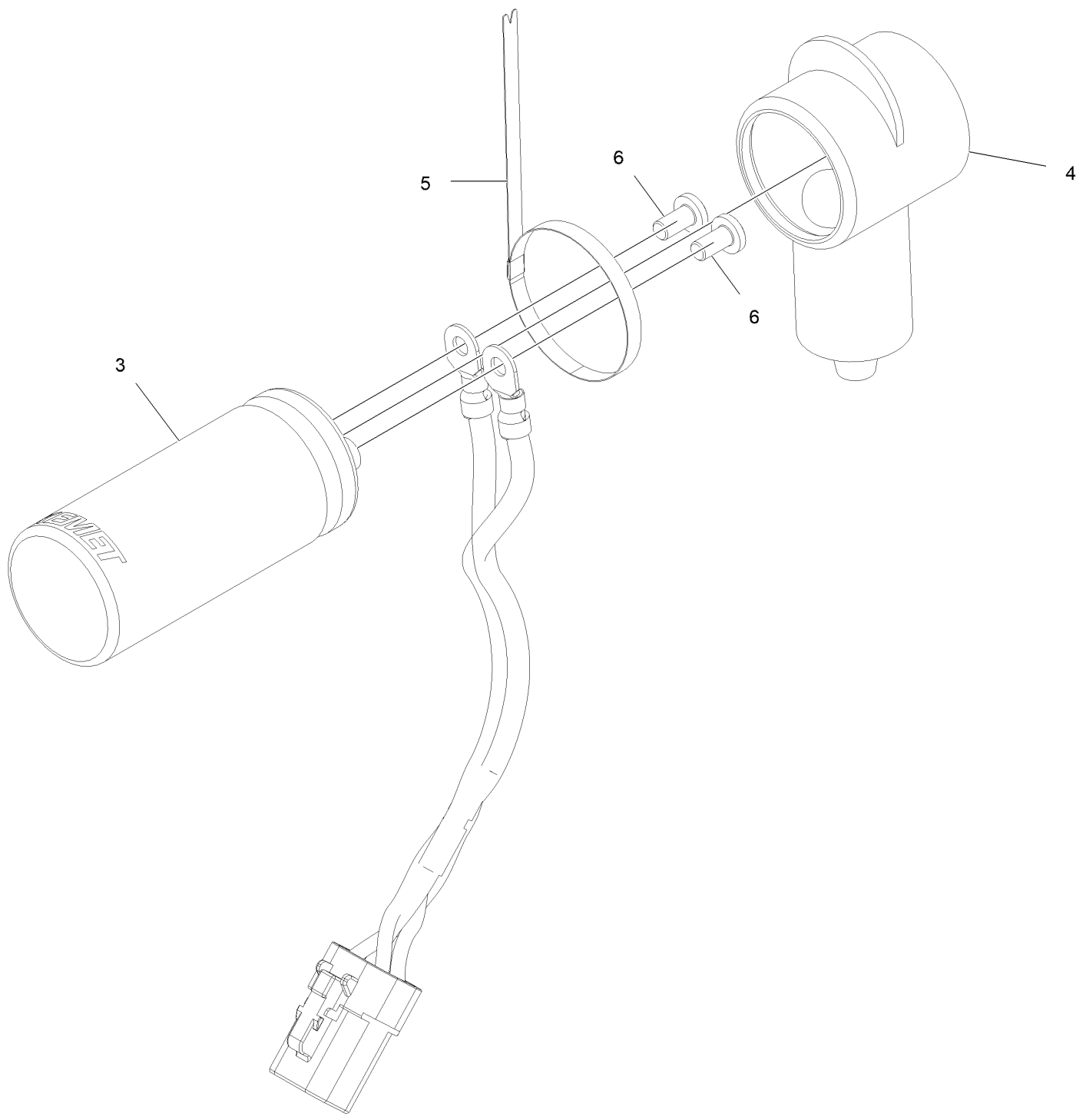
# Foot Switch Assembly



## Foot Switch Assembly (continued)

<i>Ref.</i>	<i>Part Number</i>	<i>Qty.</i>	<i>Description</i>	<i>Ref.</i>	<i>Part Number</i>	<i>Qty.</i>	<i>Description</i>
1	142-9322	1	Mount-Switch, Foot	4	142-9329	1	Ring-Retaining, EXT
2	115-5300	1	Proximity Switch ASM	5	142-9330	1	Guide-Button
2:1	117-3207	2	Nut-Hex	5:2	142-9326	1	Bushing-Sleeve
2:2	117-3208	2	Washer-Lock, Internal Tooth	6	142-9327	1	Button-Foot
3	142-9328	1	Spring-Wave				

# Capacitor Harness Assembly No. 142-9333



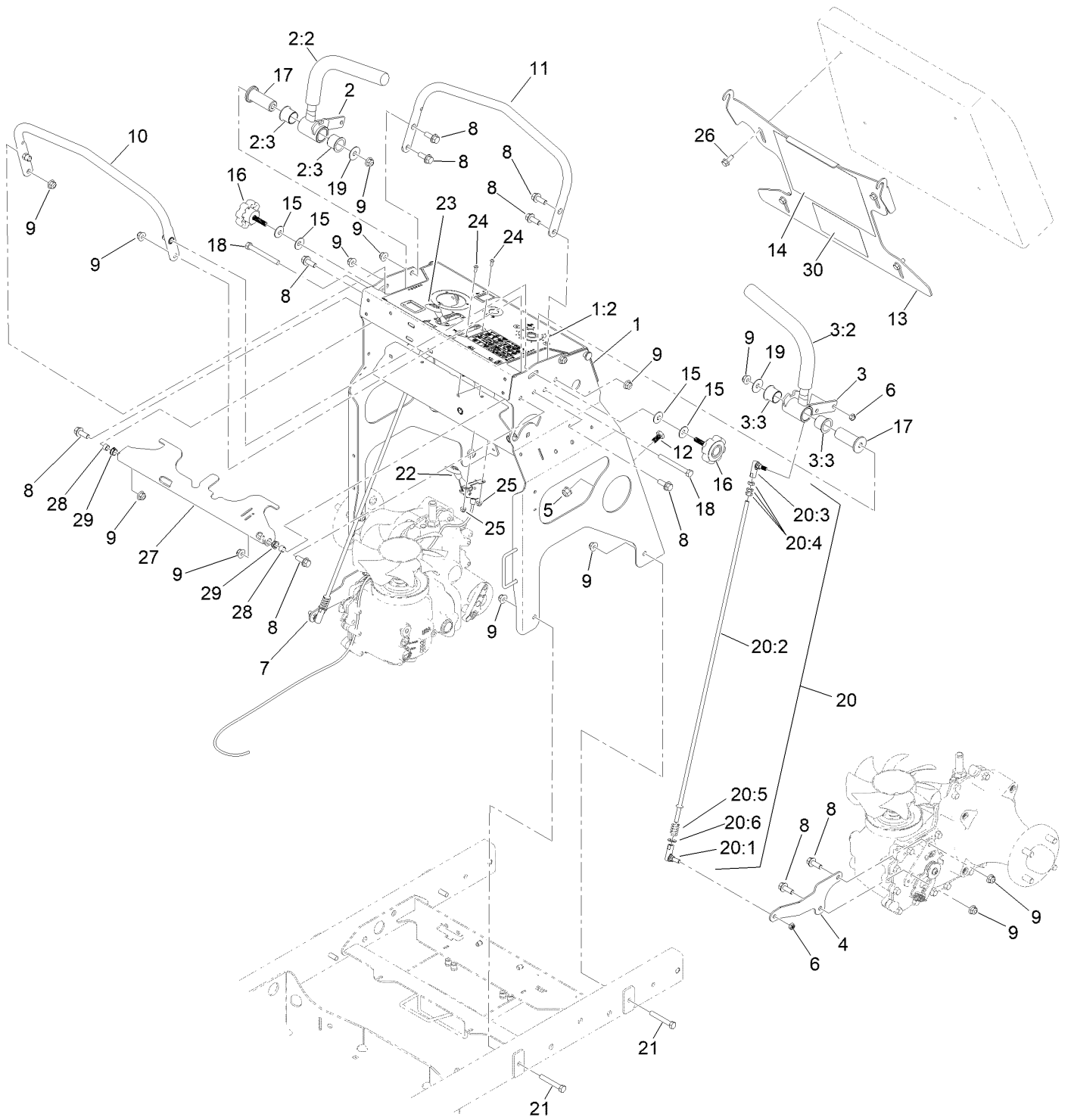
# Capacitor Harness Assembly No. 142-9333 (continued)

<i>Ref.</i>	<i>Part Number</i>	<i>Qty.</i>	<i>Description</i>
2	32180-213	1	Tubing, Conv, 5/8", Hi Temp, Uv Inhibit ●
3	142-8083	1	Cap, 36000Uf 40V

<i>Ref.</i>	<i>Part Number</i>	<i>Qty.</i>	<i>Description</i>
4	142-9340	1	Boot-Capacitor
5	32181-017	1	Tie-Stainless
6	47-2830	2	Screw

● Not illustrated

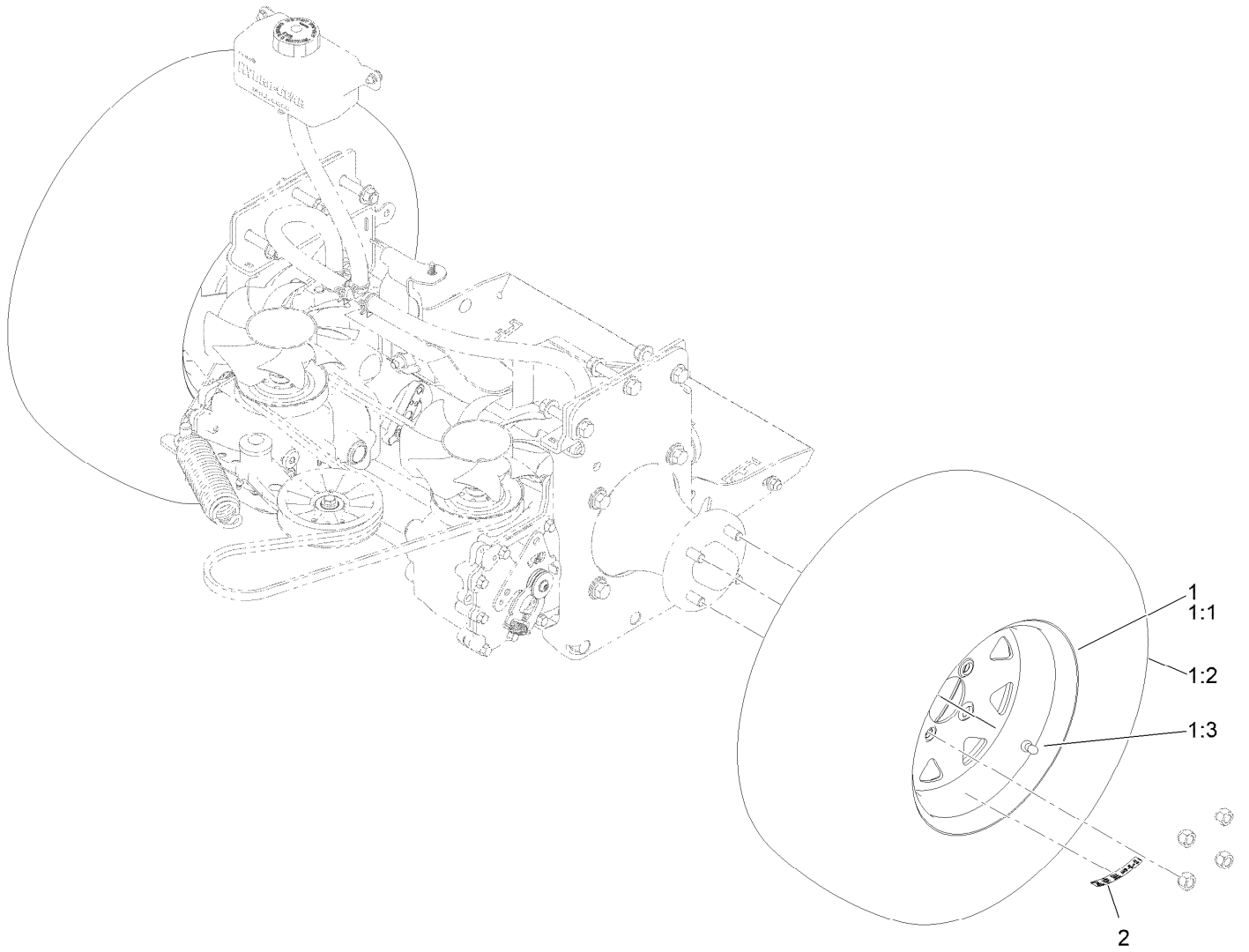
# Controls Assembly



## Controls Assembly (continued)

<i>Ref.</i>	<i>Part Number</i>	<i>Qty.</i>	<i>Description</i>	<i>Ref.</i>	<i>Part Number</i>	<i>Qty.</i>	<i>Description</i>
1	142-7511	1	Tower-ASM W/Decal	18	HDW17725	2	HHCS,3/8-16X3-1/2,ST/ST 18-8
1:2	146-0162	1	Decal-Control Panel	19	93-8806	2	Washer-Hardened
2	142-3696	1	Handle-Control, RH ASM	20	142-4622	2	Linkage-Control ASM
2:2	1-633257	1	Grip-Control, Motion	20:1	135-5257	1	Balljoint-SS
2:3	126-1963	2	Bushing-Pivot	20:2	142-3703	1	Rod-Control, Motion
3	142-3697	1	Handle-Control, LH ASM	20:3	135-9812	1	Balljoint-SS
3:2	1-633257	1	Grip-Control, Motion	20:4	107-0282	3	Nut-Hex
3:3	126-1963	2	Bushing-Pivot	20:5	142-6894	1	Spring-Compression
4	142-3704	1	Plate-Control, LH Rtn	20:6	107-0279	1	Washer
5	103-9511	2	Nut-Flg	21	HDW05849	4	HHCS,3/8-16X2-1/2,ST/ST 18-8
6	142-5498	4	Nut-Lock, NI	22	109-9147	1	Control-Choke
7	142-3733	1	Plate-Control, RH Rtn	23	142-6693	1	Control-Throttle
8	135-6208	12	Screw-HHF	24	135-6374	4	Screw-HSBH
9	135-6110	18	Nut-Hex Flange	25	135-6342	4	Nut-Hex Flange
10	142-7601	1	Bar-Speed, ASM	26	126-2712	4	Screw-HHF
11	142-7600-05	1	Bar-Reference	27	142-9345-03	1	Plate-Lock, Mc
12	142-7585	2	Magnet-Stud, Threaded	28	142-7468	2	Spacer-Brake Pivot
13	142-9348-05	1	Plate-Knee Pad	29	116-1393	2	Bushing
14	146-0776	1	Decal-Spray Chart	30	142-8040	1	Decal-Service Aid
15	3290-461	4	Washer-Spring				
16	142-5494	2	Knob-Fluted				
17	142-4200	2	Pivot-Control, Handle				

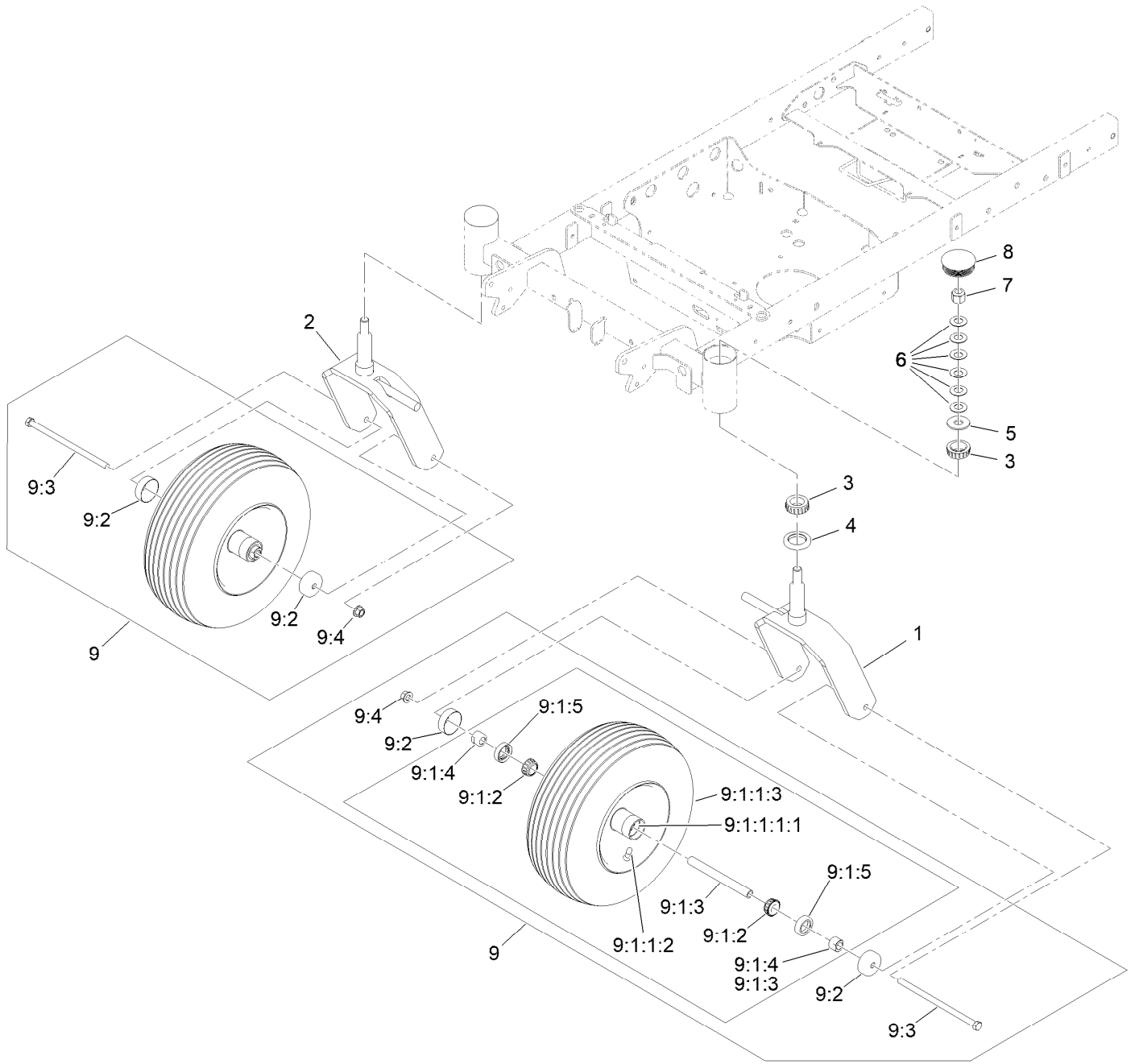
# Tire Assembly



## Tire Assembly (continued)

<i>Ref.</i>	<i>Part Number</i>	<i>Qty.</i>	<i>Description</i>	<i>Ref.</i>	<i>Part Number</i>	<i>Qty.</i>	<i>Description</i>
1	142-3692	2	Wheel And Tire ASM	1:3	232-27	1	Stem-Valve
1:1	142-3693	1	Rim ASM	2	126-2055	2	Decal-Torque, Wheel Hub Lug
1:2	127-9523	1	Tire				

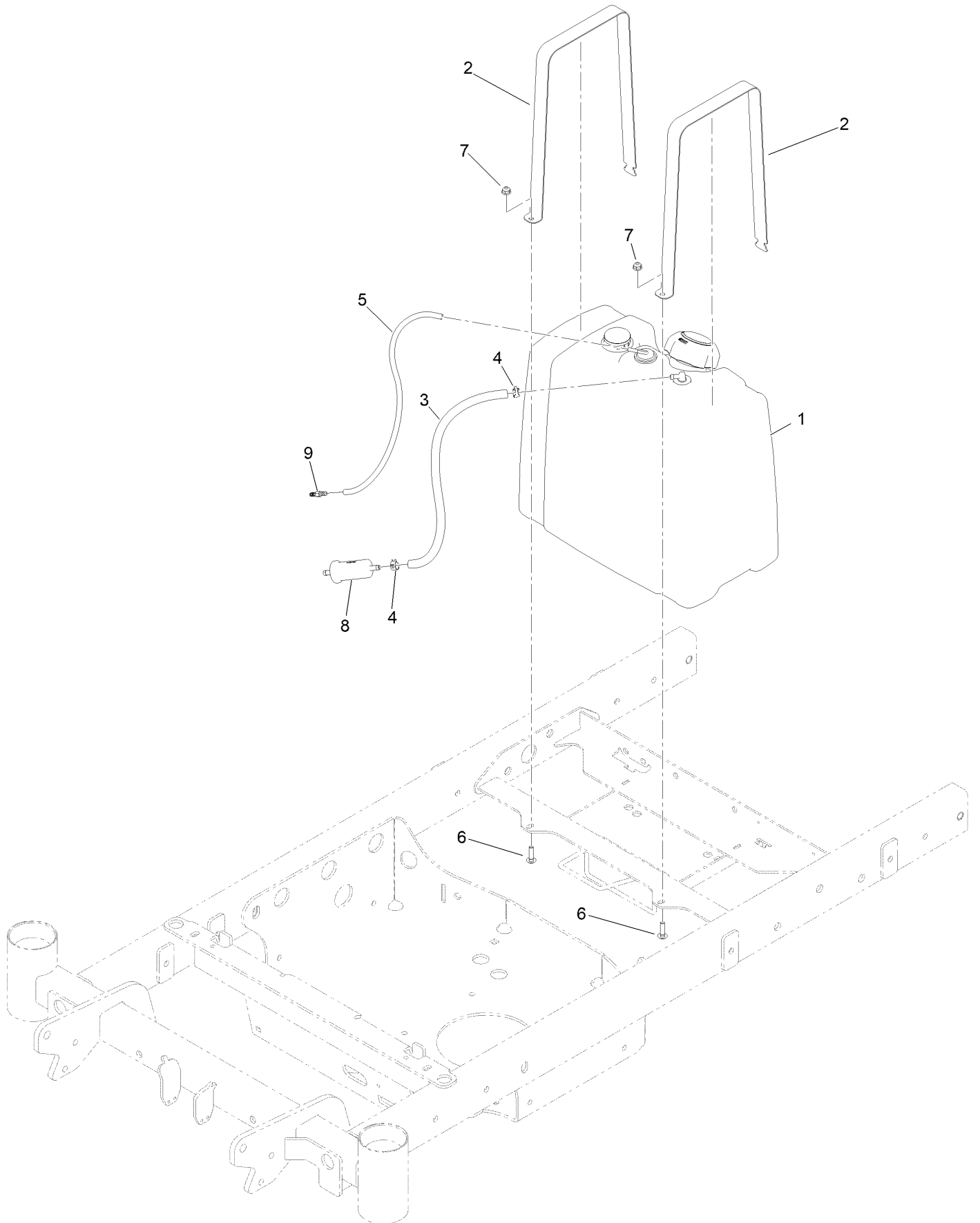
# Caster Wheels Assembly



## Caster Wheels Assembly (continued)

<i>Ref.</i>	<i>Part Number</i>	<i>Qty.</i>	<i>Description</i>	<i>Ref.</i>	<i>Part Number</i>	<i>Qty.</i>	<i>Description</i>
1	142-4545-05	1	Weld-Caster, LH [blk-Txt]	9:1:1:2	232-27	1	Stem-Valve
2	142-4547-05	1	Weld-Caster, RH [blk-Txt]	9:1:1:3	135-5976	1	Tire-Rib
3	103-9028	4	Bearing-Roller, Cone Taper	9:1:2	1-633585	2	Bearing-Cone, Taper
4	135-0355	2	Seal-Grease	9:1:3	126-5361	1	Axle Caster ASM
5	3256-8	2	Washer-Flat	9:1:4	103-3051	1	Spacer-Nut
6	1-633508	12	Washer-Bellville	9:1:5	103-0063	2	Seal-Caster
7	3296-51	2	Nut-Lock, NI	9:2	103-2768	2	Guard-Seal
8	142-7588	2	Cap-Tube, Caster	9:3	325-39	1	Screw-HH
9	142-5556	2	ASM-Whl And Tire W/Axle	9:4	99-5107	1	Nut-HF Nylock
9:1:1:1:11	633584	2	Bearing-Cup				

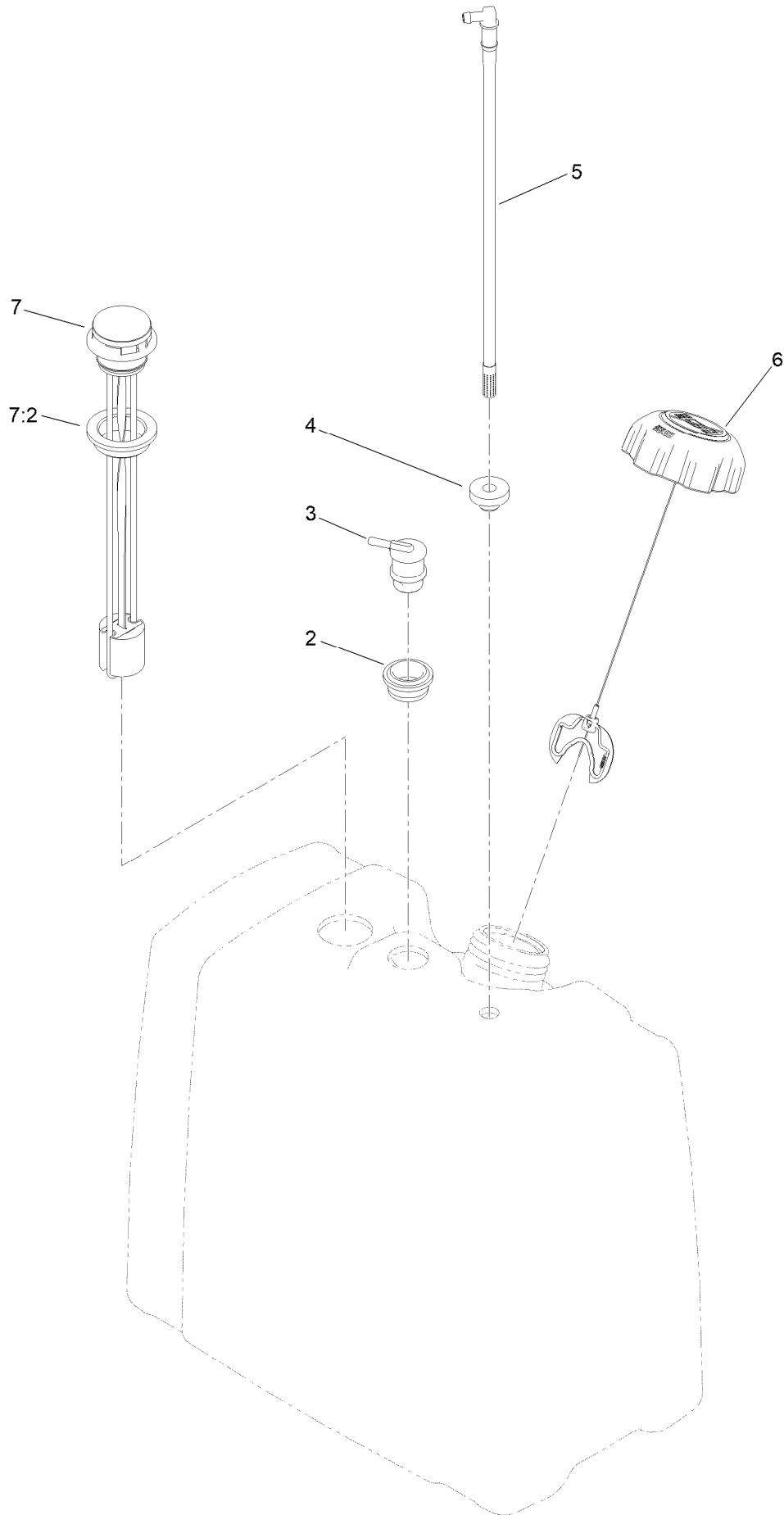
# Fuel Tank Assembly



## Fuel Tank Assembly (continued)

<i>Ref.</i>	<i>Part Number</i>	<i>Qty.</i>	<i>Description</i>	<i>Ref.</i>	<i>Part Number</i>	<i>Qty.</i>	<i>Description</i>
1	142-7602	1	ASM-Tank, Fuel	6	126-1455	2	Screw-CARR
2	142-7332	2	Strap-Tank	7	135-6108	2	Nut-Hex Flange
3	109-0296	1	Hose-Fuel	8	135-6687	1	Filter-Fuel
4	2412-98	2	Clamp-Hose	9	120-1996	1	Fitting-STR
5	115-7872	1	Hose-Fuel				

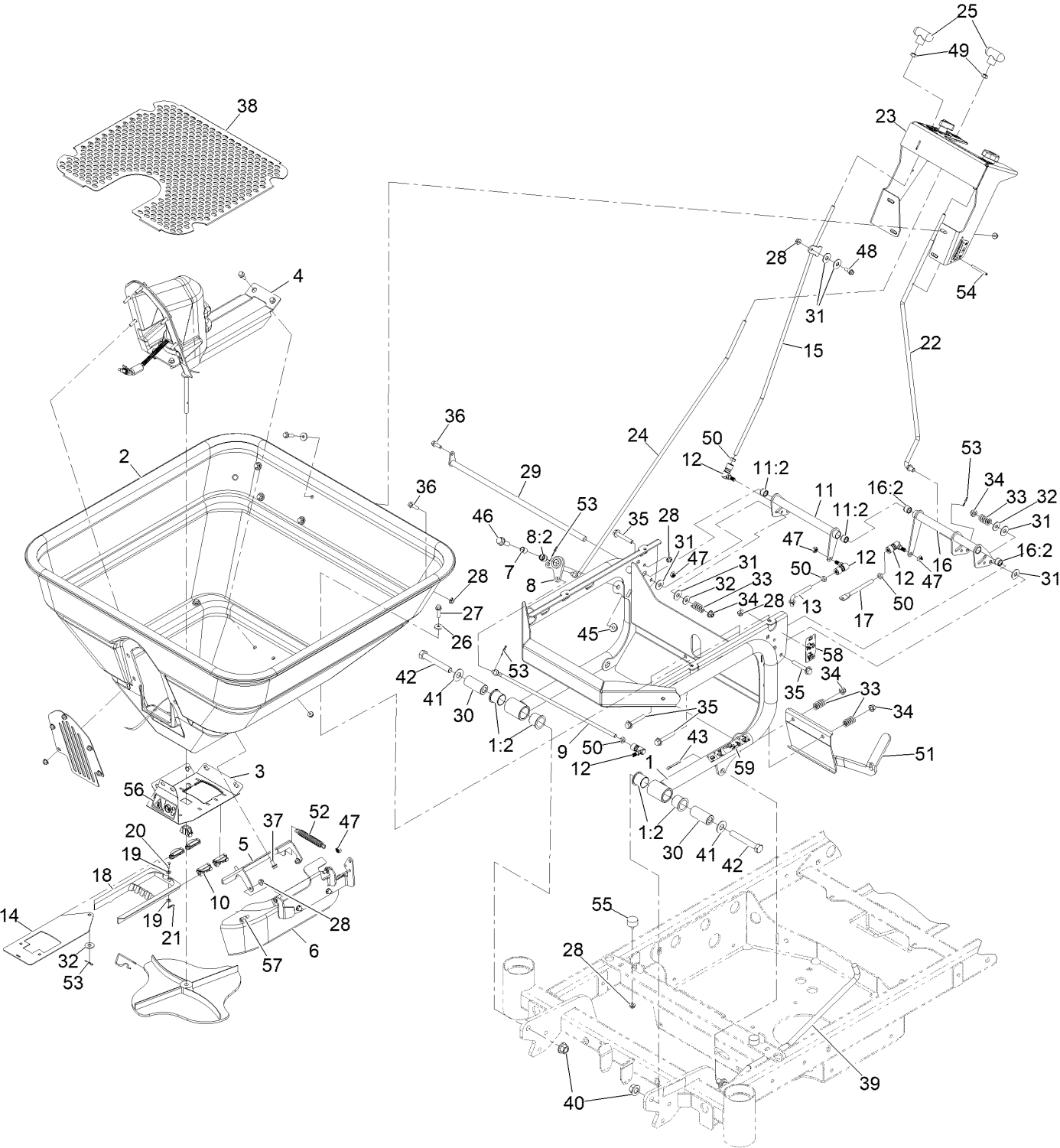
# Fuel Tank Assembly No. 142-7602



## Fuel Tank Assembly No. 142-7602 (continued)

<i>Ref.</i>	<i>Part Number</i>	<i>Qty.</i>	<i>Description</i>	<i>Ref.</i>	<i>Part Number</i>	<i>Qty.</i>	<i>Description</i>
2	114-0284	1	Grommet	6	137-4127	1	Cap-Fuel
3	119-3547	1	Valve-Vent, Fuel	7	119-0509	1	Gauge ASM
4	46-6560	1	Bushing	7:2	119-0508	1	Seal
5	115-9044	1	Pipe-Stand				

# Hopper Assembly

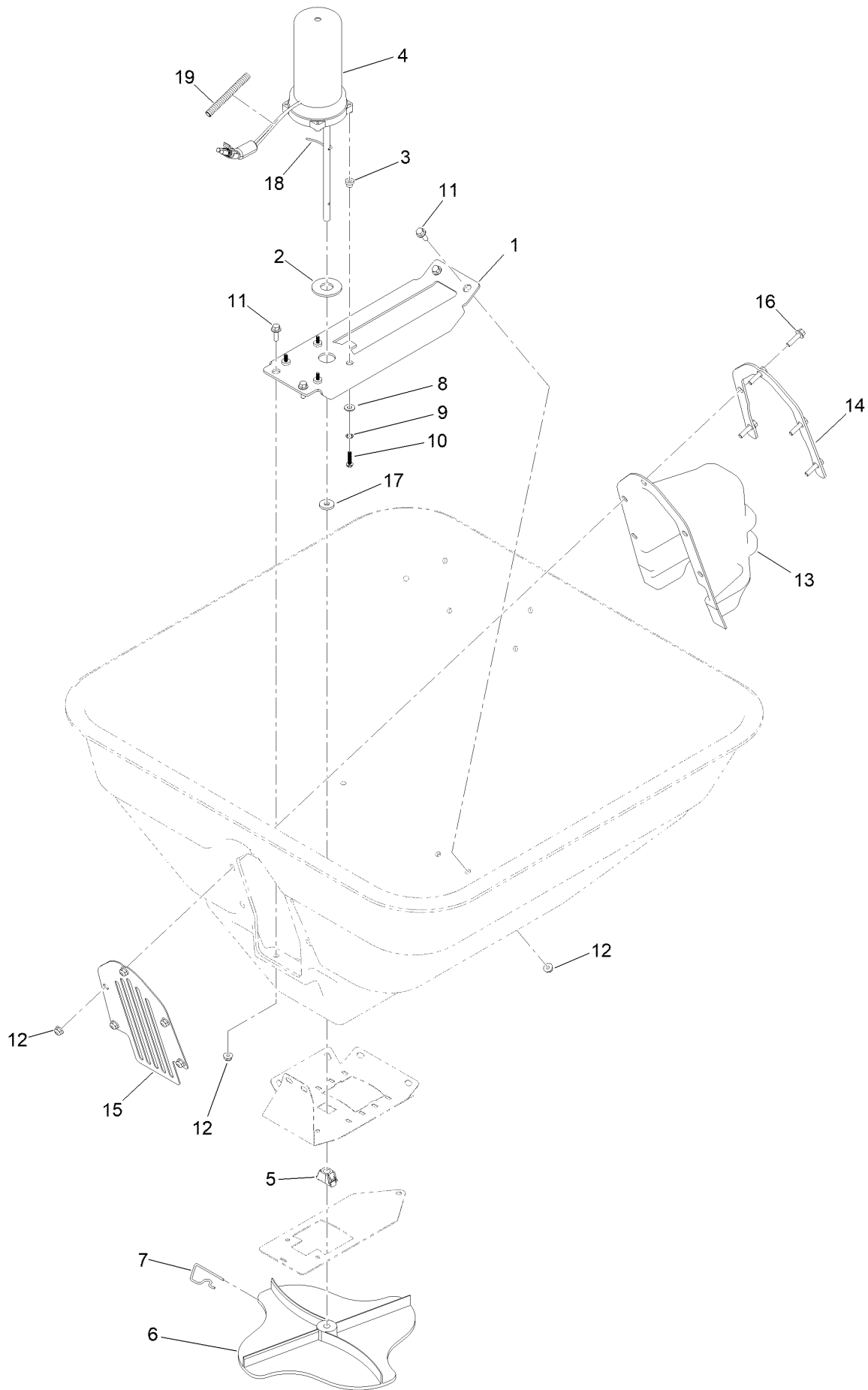


## Hopper Assembly (continued)

<i>Ref.</i>	<i>Part Number</i>	<i>Qty.</i>	<i>Description</i>	<i>Ref.</i>	<i>Part Number</i>	<i>Qty.</i>	<i>Description</i>
1	142-7344	1	Frame-Hopper	31	93-1633	6	Washer
1:2	126-1963	4	Bushing-Pivot	32	HDW14535	3	Washer-Flat 5/16 SS
2	142-4648	1	Hopper-250 Lb.	33	142-6894	4	Spring-Compression
3	142-3991	1	Plate-Hopper, Bottom	34	135-6109	4	Nut-Hex Flg 5/16-18 Nyloc SS
4		1	ASM-Motor, Hopper ●	35	126-2711	4	Screw-HHF 5/16-18 X 2 Serrated SS
5	142-7872	1	Bracket-Hopper Deflector	36	135-6221	3	Screw-HHF 1/4-20 X 3/4 Serrated SS
6		1	ASM-Deflector, Side ●	37	142-5490	8	Screw-HWH, Patch
7	142-7618	1	Bushing-Pivot, Deflector	38	142-4696	1	Screen-Hopper, Medium
8	142-7614	1	Crank-Defelctor	39	142-6888	1	Rod-Prop, Hopper
8:2	142-3932	1	Bushing	40	135-6111	2	Nut-Hex Flg 1/2-13 SS W/Patch
9	142-3961	1	Linkage-Deflector, Lower	41	HDW14428	2	Washer
10	142-3316	4	Guide-Rate, Gate	42	142-7326	2	Screw-HH
11	142-3927	1	Crank-Gate, Hopper	43	135-6292	1	Pin-Cotter
11:2	142-3932	2	Bushing	45	135-6110	1	Nut-Hex Flg 3/8-16 SS W/Patch SS
12	135-5718	4	Ball Joint-Quick Disconnect, SS	46	135-6211	1	Screw-HHF 3/8-16 X 1 1/4 Serrated SS
13	142-3933	1	Linkage-Gate, Lower	47	142-5498	4	Nut-Lock, NI
14	142-3942	1	Rate-Gate	48	42-3560	1	Bolt-Shoulder
15	142-5504	1	Linkage-Gate, Upper	49	363-1684	2	Nut-Hex
16	142-3946	1	Crank-Diffuser	50	107-0282	4	Nut-Hex 5/16-24 Jam SS
16:2	142-3932	2	Bushing	51	142-7495-05	1	Latch-Hopper [blk-Txt]
17	142-3949	1	Linkage-Diffuser, Lower	52	142-8921	1	Spring-Extension
18	142-3406	1	Diffuser	53	HDW14430	4	Cotter Pin 5/64X3/4 18-8
19	126-0759	2	Washer-Flat	54	142-7053	1	Pin-Roll, 3/16 X 2.0
20	126-3729	1	Pin-Clevis	55	240-14	2	Bumper-Rubber
21	126-1631	1	Pin-Hair	56	135-6725	1	Decal-Dismemberment Hazard
22	142-3950	1	Linkage-Diffuser, Upper	57	119-4881	2	Bolt-Shoulder
23		1	ASM-Console, Hopper ●	58	146-0725	1	Decal-Hopper Rotate
24	142-3962	1	Linkage-Deflector, Upper	59	146-1356	1	Decal-Hopper Latch
25	142-5558	2	Knob-T				
26	135-6341	4	Washer				
27	HDW27147	4	Screw-HHF				
28	135-6108	12	Nut-Hex Flg 1/4-20 Nyloc SS				
29	142-4031	1	Shaft-Control, Hopper				
30	142-4293	2	Spacer-Pivot, Hopper				

● Not serviced separately

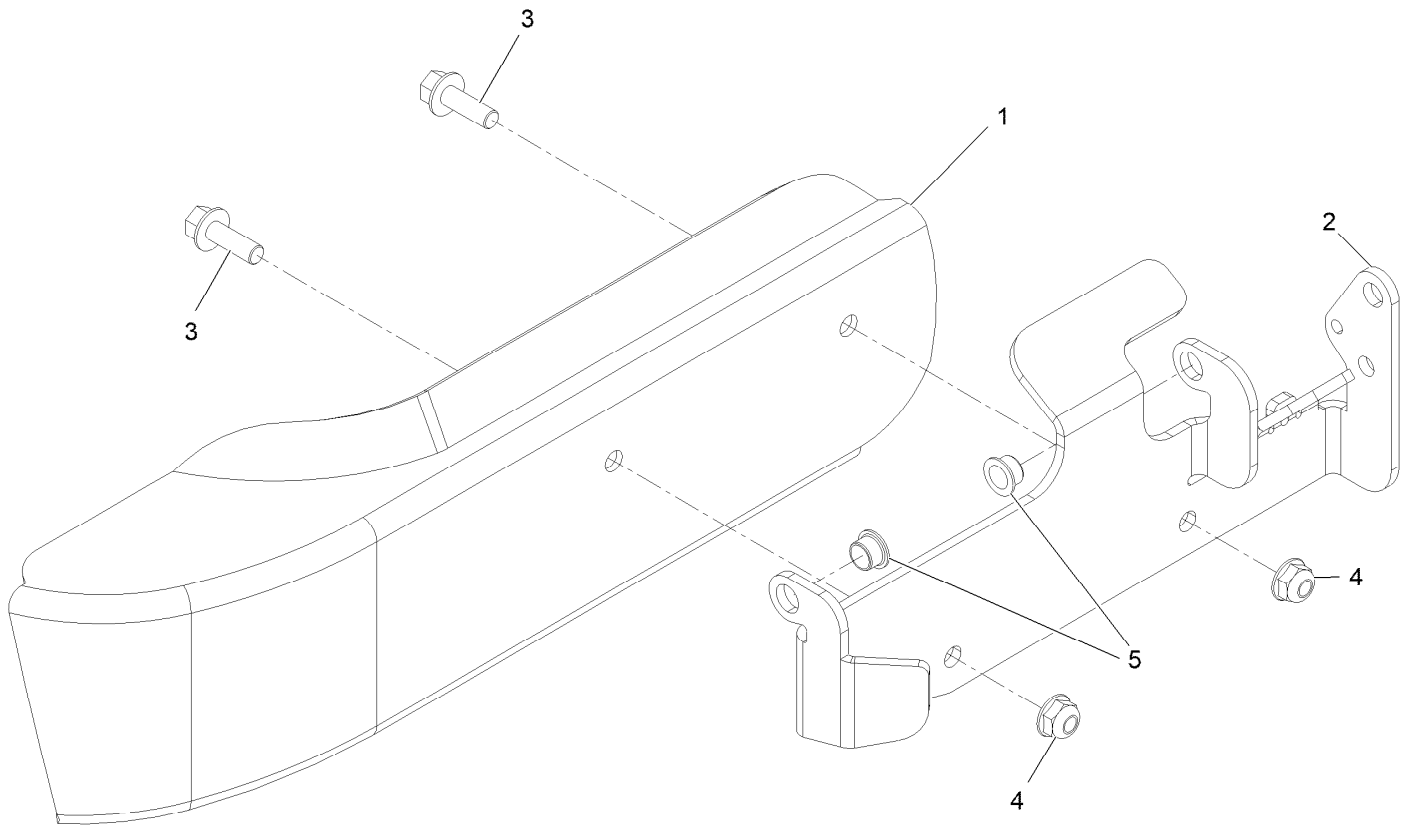
# Hopper Motor Assembly



## Hopper Motor Assembly (continued)

<i>Ref.</i>	<i>Part Number</i>	<i>Qty.</i>	<i>Description</i>	<i>Ref.</i>	<i>Part Number</i>	<i>Qty.</i>	<i>Description</i>
1	142-4686	1	Bracket-Mount, Motor	11	135-6221	4	Screw-HHF
2	83-2400	1	Spacer	12	135-6108	9	Nut-Hex Flange
3	135-3989	4	Spacer-Flanged	13	142-8924	1	Cover-Motor
4	126-0379	1	Motor-Spreader	14	126-6334	1	Flange-Cover, Motor
5	142-4042	1	Hopper Bottom Bearing	15	142-4721	1	Cover-Front, Motor
6	142-3506	1	Spinner-Spreader	16	HDW27147	5	Screw-HHF
7	142-3541	1	Clip-Spinner	17	142-3665	1	Washer-Felt
8	360-0140	4	Washer-Flat	18	142-3666	1	Wire-Agitator
9	363-8641	4	Washer-Lock, Int	19	142-6683	1	Loom-Split
10	739001	4	Screw-SHWH				

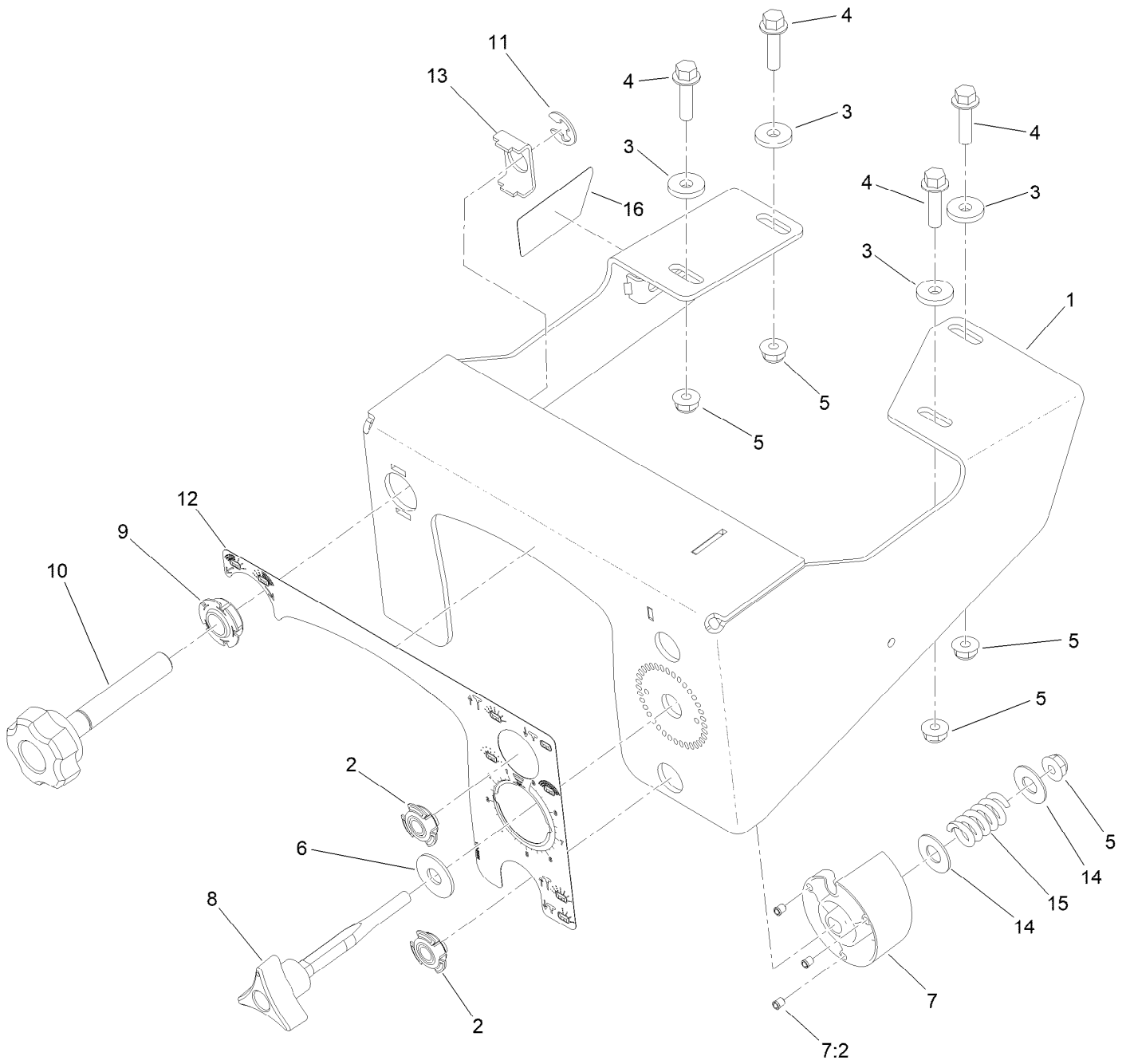
# Side Deflector Assembly



## Side Deflector Assembly (continued)

<i>Ref.</i>	<i>Part Number</i>	<i>Qty.</i>	<i>Description</i>	<i>Ref.</i>	<i>Part Number</i>	<i>Qty.</i>	<i>Description</i>
1	146-0145	1	Chute-Deflector	4	135-6108	2	Nut-Hex Flg 1/4-20 Nyloc
2	146-0146	1	Bracket-Deflector, Side				SS
3	135-6221	2	Screw-HHF 1/4-20 X 3/4 Serrated SS	5	138-5538	2	Bushing-Flange

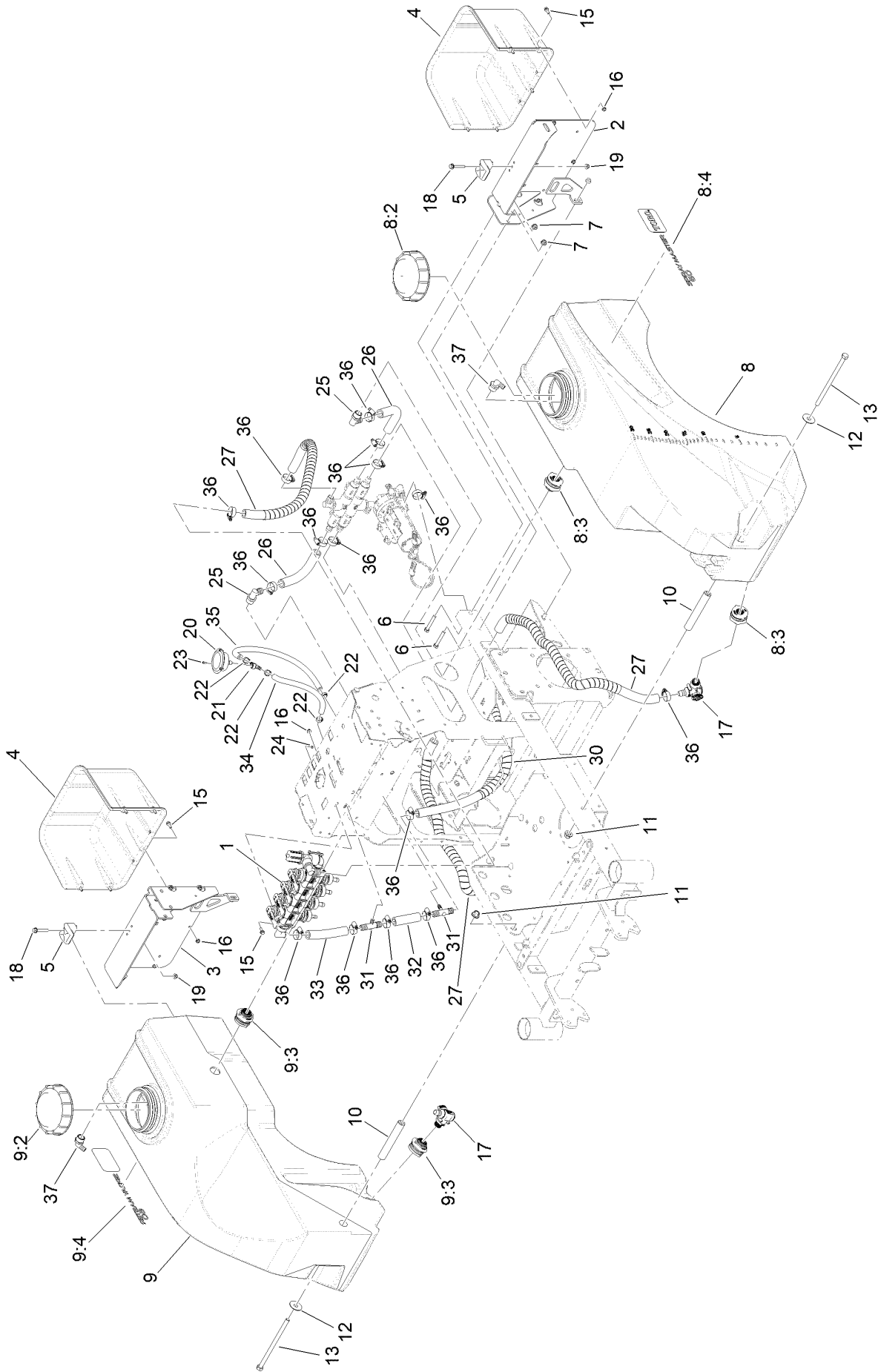
# Hopper Console Assembly



## Hopper Console Assembly (continued)

<i>Ref.</i>	<i>Part Number</i>	<i>Qty.</i>	<i>Description</i>	<i>Ref.</i>	<i>Part Number</i>	<i>Qty.</i>	<i>Description</i>
1	142-5560	1	Console-Hopper	9	126-5820	1	Bearing-Spherical
2	142-3955	2	Bearing-Spherical	10	142-7037	1	Knob-Diffuser
3	135-6341	4	Washer	11	142-4698	1	Ring-E
4	HDW27147	4	Screw-HHF	12	142-5588	1	Decal-Hopper
5	135-6108	5	Nut-Hex Flange	13	142-7054	1	Stop-Diffuser
6	93-1633	1	Washer	14	HDW05859	2	Washer,Flat,3/8ST/ST 18-8
7	142-4642	1	Dial-Rate	15	142-6894	1	Spring-Compression
7:2	142-4641	3	Plunger-Spring, Ball	16	142-9684	1	Decal-Pattern Indicator
8	142-7035	1	Knob-Rate				

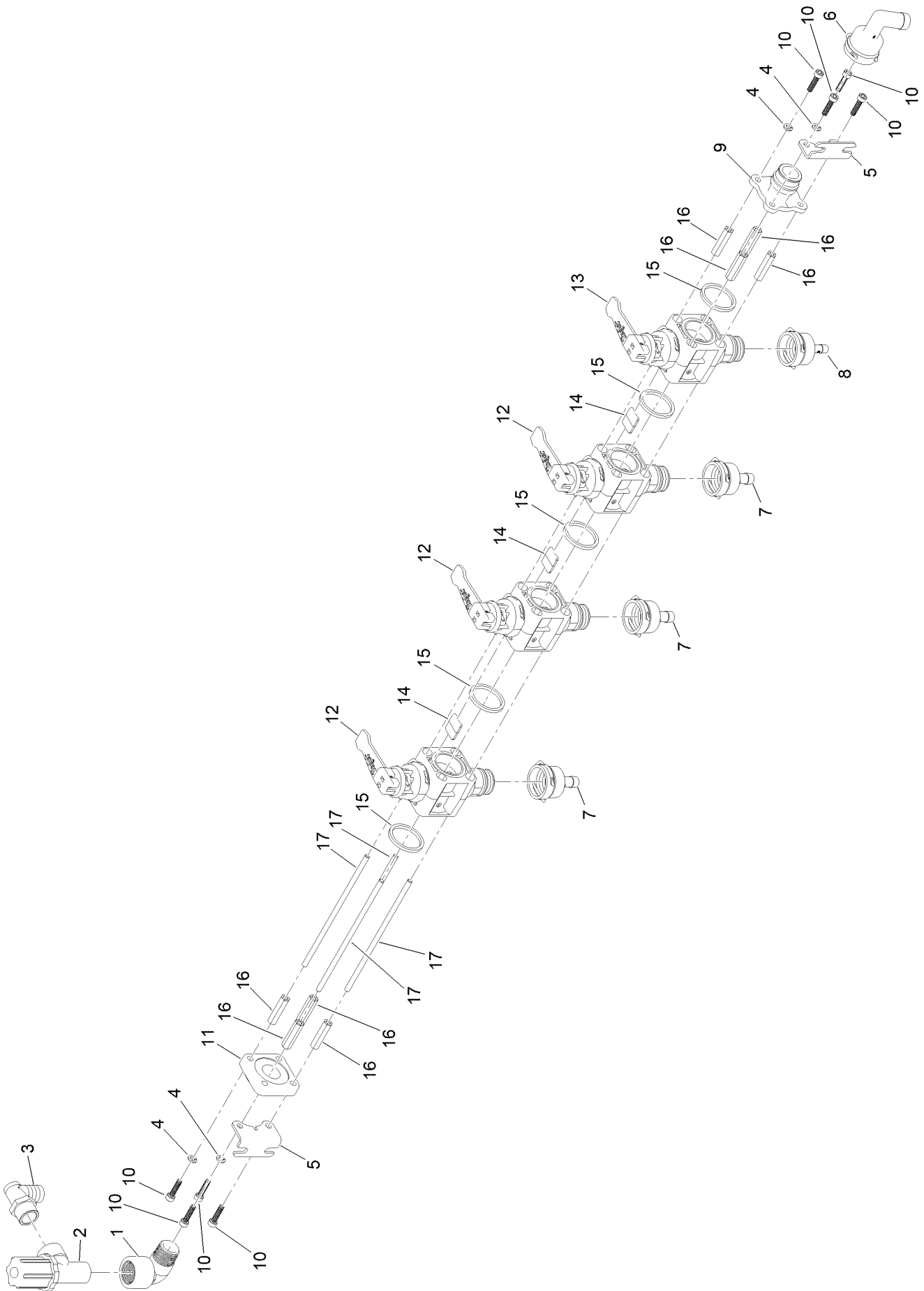
# Sprayer Tanks Assembly



## Sprayer Tanks Assembly (continued)

<i>Ref.</i>	<i>Part Number</i>	<i>Qty.</i>	<i>Description</i>	<i>Ref.</i>	<i>Part Number</i>	<i>Qty.</i>	<i>Description</i>
1	142-7050	1	ASM-Manifold, Spray	16	135-6108	14	Nut-Hex Flange
2	142-7320	1	Mount-Tank, Lt Int	17	142-4468	2	Valve-3 Way
3	142-7322	1	Mount-Tank, Rt Int	18	126-2711	2	Screw-HHF
4	142-4718	2	Box-Fertilizer, Mid	19	135-6109	2	Nut-Hex Flange
5	107-4543	2	Clamp	20	126-4110	1	Gauge-Pressure
6	HDW05849	4	HHCS,3/8-16X2-1/2,ST/ST 18-8	21	126-2348	1	Fitting-Tee
7	135-6110	4	Nut-Hex Flange	22	2412-36	4	Clamp-Hose
8	142-7848	1	Tank-20Gal, Lt	23	363-6518	3	Scr,Mch,6-32X3/8,Phph,Sst,Rohs
8:2	135-5916	1	Cap-Tank, Spray	24	3296-9	3	Nut-Hex
8:3	126-4393	2	Fitting-Bulkhead	25	135-5772	2	Fitting-Elbow, 90
8:4	142-9315	1	Decal-Spraymaster, 40	26	142-6912	2	Hose-Spray, Formed
9	142-7850	1	Tank-20Gal, Rt	27	142-7613	3	Hose-Spray, Wrapped
9:2	135-5916	1	Cap-Tank, Spray	30	142-7610	1	Hose-Spray, Wrapped
9:3	126-4393	2	Fitting-Bulkhead	31	142-4450	2	Tee-Hose Barb
9:4	142-9316	1	Decal-Spraymaster, 40	32	142-6907	1	Hose-Spray
10	142-5501	2	Spacer-Tank	33	142-7611	1	Hose-Spray
11	135-6111	2	Nut-Hex Flange	34	142-7612	1	Hose-Spray
12	142-7591	2	Washer-Flat, 1/2, SS	35	142-7062	1	Hose-Spray
13	142-5502	2	Screw-HH	36	2412-129	16	Clamp-Hose
15	135-6221	14	Screw-HHF	37	135-5744	2	Fitting-Elbow, 90

# Sprayer Manifold Assembly No. 142-7050



# Sprayer Manifold Assembly No. 142-7050 (continued)

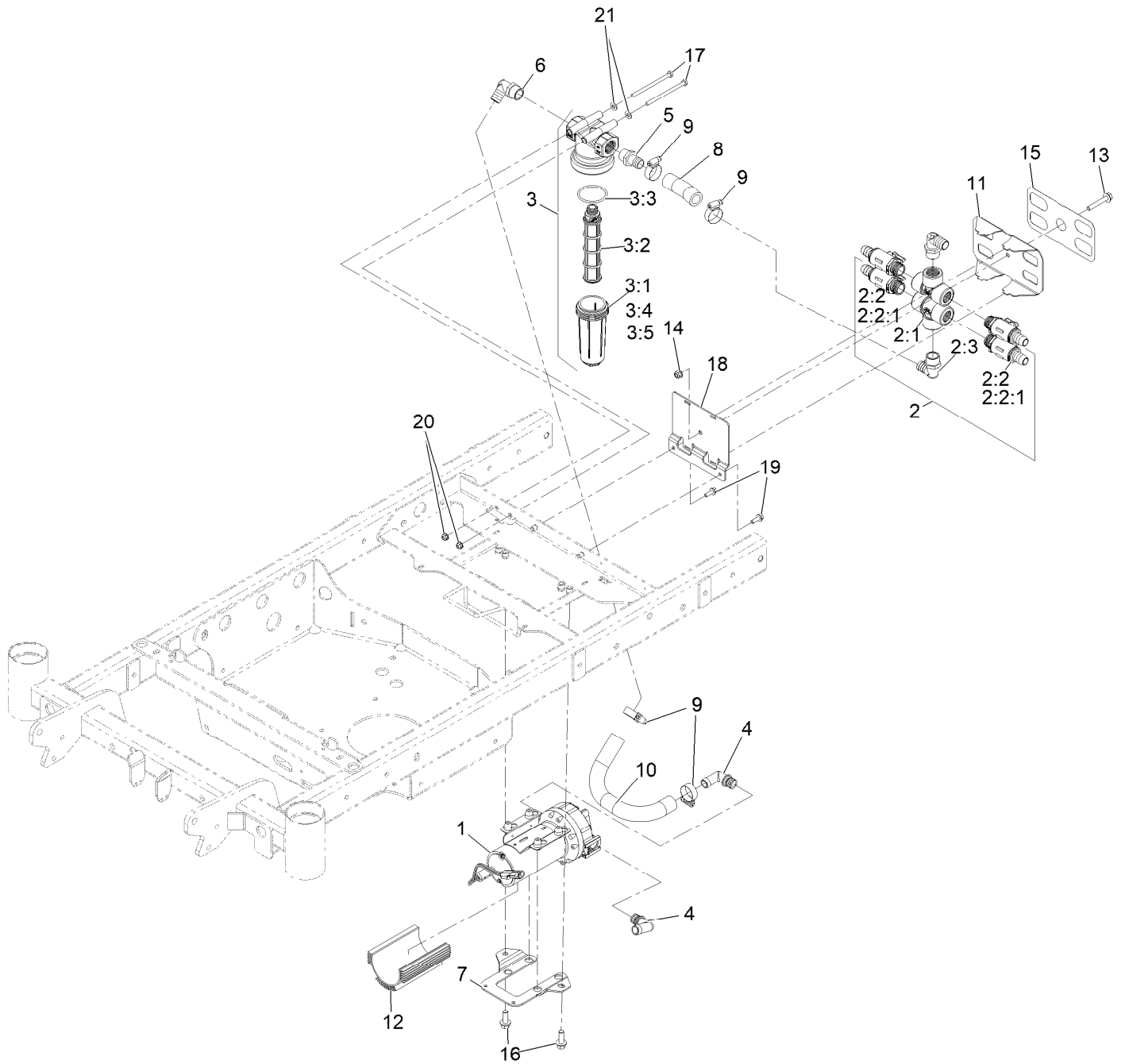
<i>Ref.</i>	<i>Part Number</i>	<i>Qty.</i>	<i>Description</i>	<i>Ref.</i>	<i>Part Number</i>	<i>Qty.</i>	<i>Description</i>
1	132-7706	1	Elbow-90 DEG	10	142-6348	8	Screw-Hscs 6 MM X 25.0 MM SS
2	135-5736	1	Valve-Throttle	11	142-7041	1	Cap-End, 3/4 Npt, Female
3	135-5772	1	Fitting-Elbow, 90	12	142-7042	3	ASM-Valve Section, Grey
4	142-4415	4	Washer	13	142-7043	1	ASM-Valve Section, Black
5	142-4416	2	Bracket-Mount	14	142-7496	3	Alignment Piece
6	142-5591	1	Kit-Hose Barb, 3/4 90, Qc	15	142-7497	5	Gasket
7	142-6187	3	Kit-1/2 Hb, STR, Qc	16	142-7498	8	M6X1 Metric Hex Stand-Off
8	142-6188	1	Kit-3/8 Hb, STR, Qc	17	142-7499	4	M6X1 Threaded Rod
9	142-6347	1	Adaptor-Male Qc Bolted Flanged				



## Spray Boom Assembly (continued)

<i>Ref.</i>	<i>Part Number</i>	<i>Qty.</i>	<i>Description</i>	<i>Ref.</i>	<i>Part Number</i>	<i>Qty.</i>	<i>Description</i>
1	142-4690	1	Boom-Center, Weld	8:2	142-1457	1	Diaphragm, Check Valve
2	142-3990	2	Boom-Pivot	10	135-5781	4	Cap-Nozzle
3	142-6682	2	Hinge-Boom	10:1	40998	1	Seat-Gasket
4	142-4691	1	Boom-Wing, LH	11	126-0968	1	Fitting-Tee
5	142-4692	1	Boom-Wing, RH	12	135-6298	1	Hose-Spray
6	135-5790	2	Body-Nozzle, Right	13	135-7129	1	Hose-Spray
6:1	146-1020	1	Cap-Sprayer Nozzle	15	142-6880	2	Spring-Compression
6:2	146-1021	1	Diaphragm-Sprayer Nozzle	16	142-4069	2	Spacer-Boom, Pivot
7	117-5838	1	Tip-Spray, Xrc11010	17	142-7327	2	Screw-HH
7	117-5839	1	Tip-Spray, Xrc11015	18	135-6110	10	Nut-Hex Flg 3/8-16 SS W/Patch SS
7	142-3306	1	Tip-Spray, 015	19	126-2661	4	Screw-HH
7	142-3307	1	Tip-Spray, 02	20	142-5490	4	Screw-HWH, Patch
7	142-3308	4	Tip-Spray, 025	21	135-6211	4	Screw-HHF 3/8-16 X 1 1/4 Serrated SS
7	142-3309	1	Tip-Spray, 03	22	2412-36	10	Clamp-Hose
7	142-3310	1	Tip-Spray, 04	23	126-3943	4	Strainer-Nozzle, 50M 5PSI Check
7	142-3311	1	Tip-Spray, 05	24	142-7325	2	Hose-Spray, Wrapped
7	142-3312	1	Tip-Spray, 06	25	142-7059	1	Hose-Spray, Wrapped
7	146-0633	1	Tip-Spray, Xrc11020	26	3290-379	5	Tie-Cable
7:1	40998	1	Seat-Gasket				
8	135-5788	2	Body-Nozzle, Left				
8:1	95-9193	1	Cap-Diaphragm				

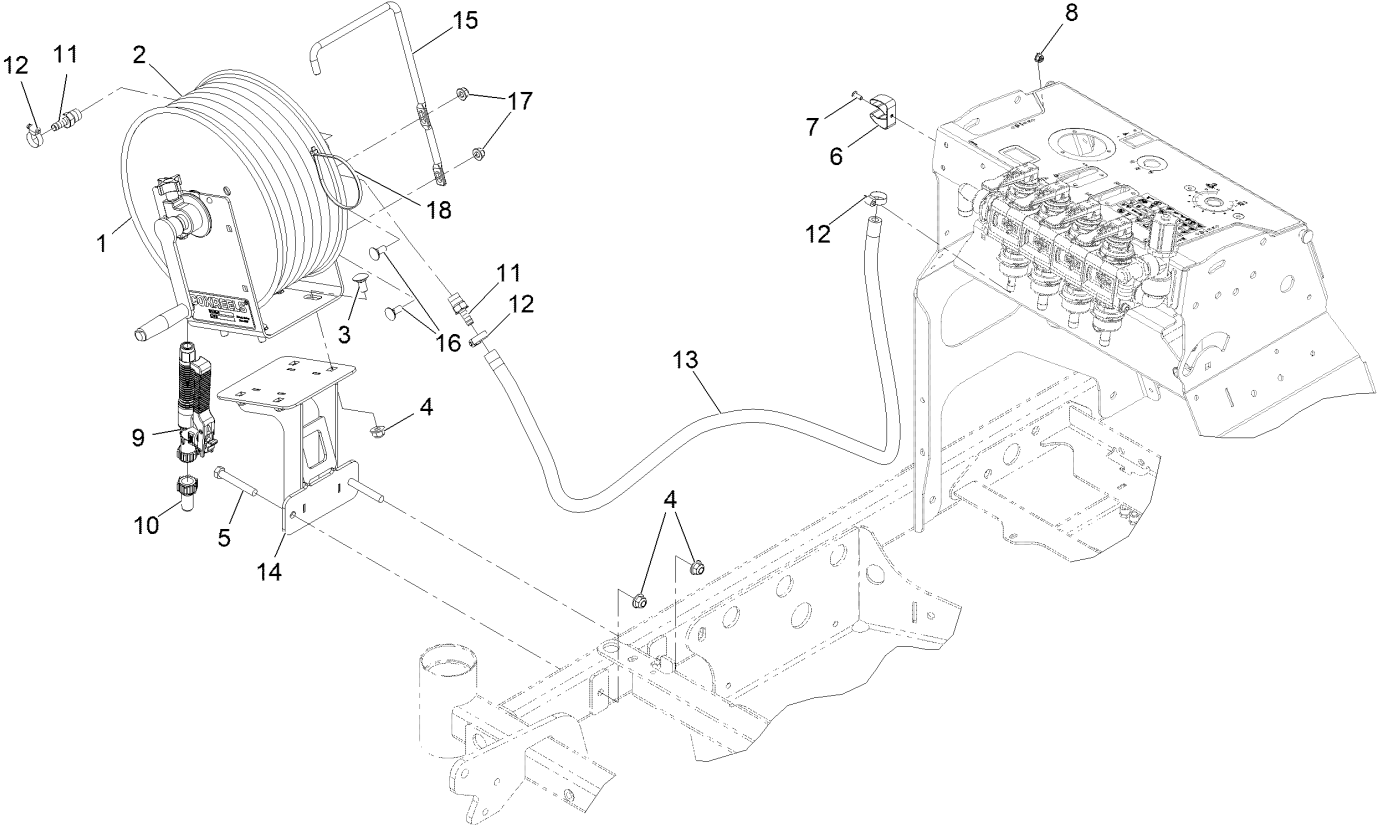
# Spray Pump Assembly



## Spray Pump Assembly (continued)

<i>Ref.</i>	<i>Part Number</i>	<i>Qty.</i>	<i>Description</i>	<i>Ref.</i>	<i>Part Number</i>	<i>Qty.</i>	<i>Description</i>
1	146-0148	1	Pump-5.3 GPM	10	142-6908	1	Hose-Formed
2	142-6906	2	ASM-Valve, Selector	11	142-6910	1	Bracket-Valve, Selector
2:1	146-0632	1	Fitting-Tee	12	142-3322	1	Heatsink-3.0 In
2:2	142-9319	2	Valve	13	126-2711	1	Screw-HHF 5/16-18 X 2 Serrated SS
2:2:1	142-9320	1	O-Ring, -213	14	135-6109	1	Nut-Hex Flg 5/16-18 Nyloc SS
2:3	135-5772	1	Fitting-Elbow, 90	15	142-7247	1	Decal-Valve
3	142-8947	1	Strainer-T, 50 Mesh	16	135-6208	2	Screw-HHF 3/8-16 X 1 Serrated SS
3:1	131-0203	1	Cup-Filter	17	142-8960	2	Screw-HHCS
3:2	131-0210	1	Screen-Filter, 50 Mesh	18	142-7521	1	Mount-Valve
3:3	131-0207	1	Oring-Filter, Cup	19	135-6221	2	Screw-HHF 1/4-20 X 3/4 Serrated SS
3:4	131-0204	1	Plug-Filter	20	135-6108	2	Nut-Hex Flg 1/4-20 Nyloc SS
3:5	131-0205	1	Oring-Filter, Plug	21	360-0140	2	Washer-Flat
4	126-4420	2	Fitting-Elbow				
5	41257	1	Hosebarb				
6	135-5772	1	Fitting-Elbow, 90				
7	142-4274	1	Bracket-Mount, Pump				
8	142-8961	1	Hose-Spray				
9	2412-129	4	Clamp-Hose				

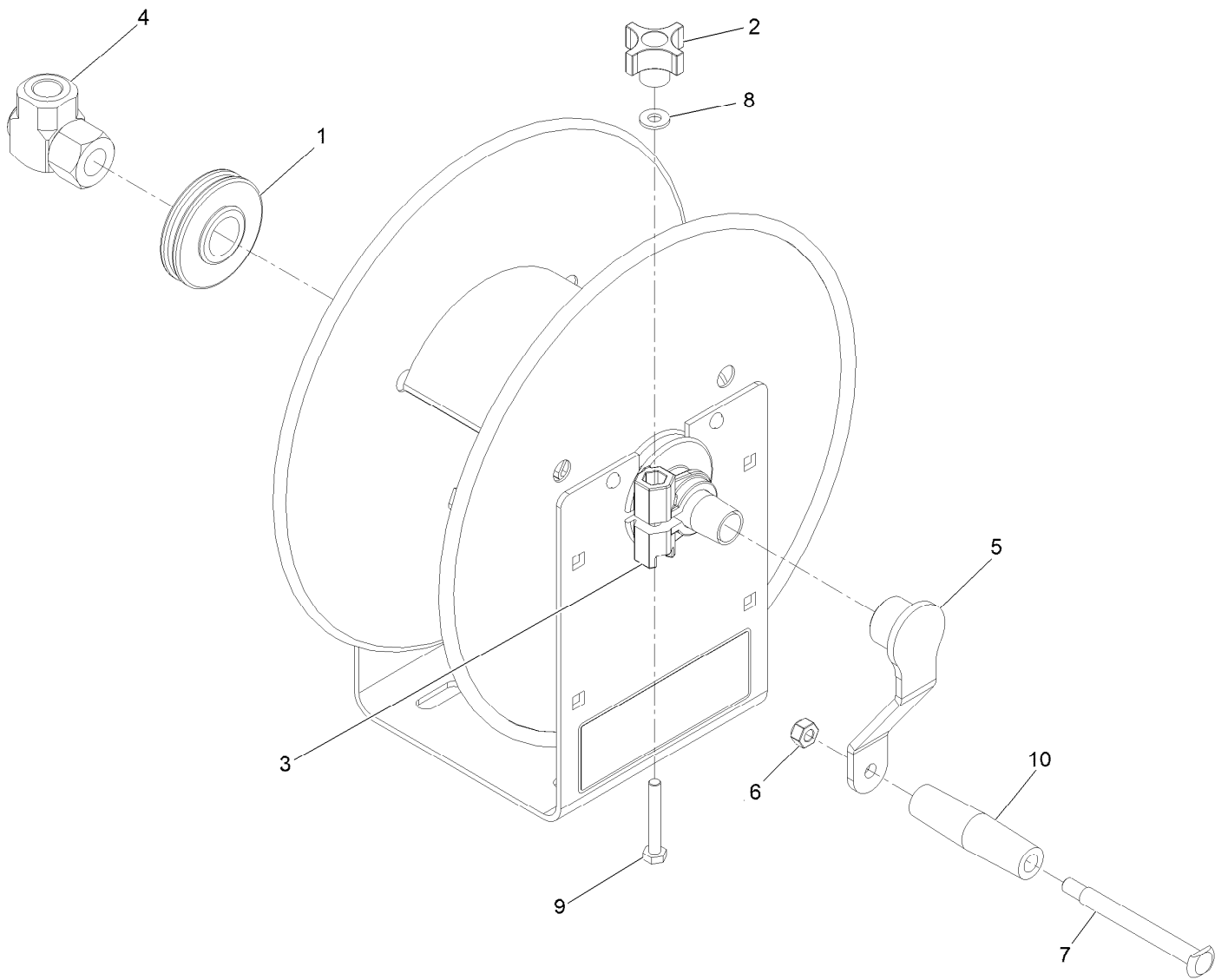
# Hose Reel Assembly



## Hose Reel Assembly (continued)

<i>Ref.</i>	<i>Part Number</i>	<i>Qty.</i>	<i>Description</i>	<i>Ref.</i>	<i>Part Number</i>	<i>Qty.</i>	<i>Description</i>
1	135-5787	1	Reel-Hose	9	135-5773	1	Gun-Spray, Spot
2	135-5794	1	Hose-Spray, 75'	10	135-5778	1	Tip-Spray, No.12 Spot
3	135-6271	4	Bolt-Carriage 3/8-16 X 3/4 SS	11	1-513200	2	Fitting, Male
4	135-6110	6	Nut-Hex Flg 3/8-16 SS W/Patch SS	12	2412-36	3	Clamp-Hose
5	HDW05849	2	HHCS, 3/8-16X2-1/2, ST/ST 18-8	13	135-7369	1	Hose-Spray
6	135-5661	1	Holder-Tool, Clip	14	142-6900	1	ASM-Reel Mount
7	135-6374	1	Screw-Button Head #10-24 X 1/2 SS	15	142-7884	1	Guide-Hose, Reel
8	135-6342	1	Nut-Hex Flg #10-24 Nyloc SS	16	126-0695	2	Screw-Carriage 5/16-18 X 3/4 SS
				17	135-6109	2	Nut-Hex Flg 5/16-18 Nyloc SS
				18	3290-379	1	Tie-Cable

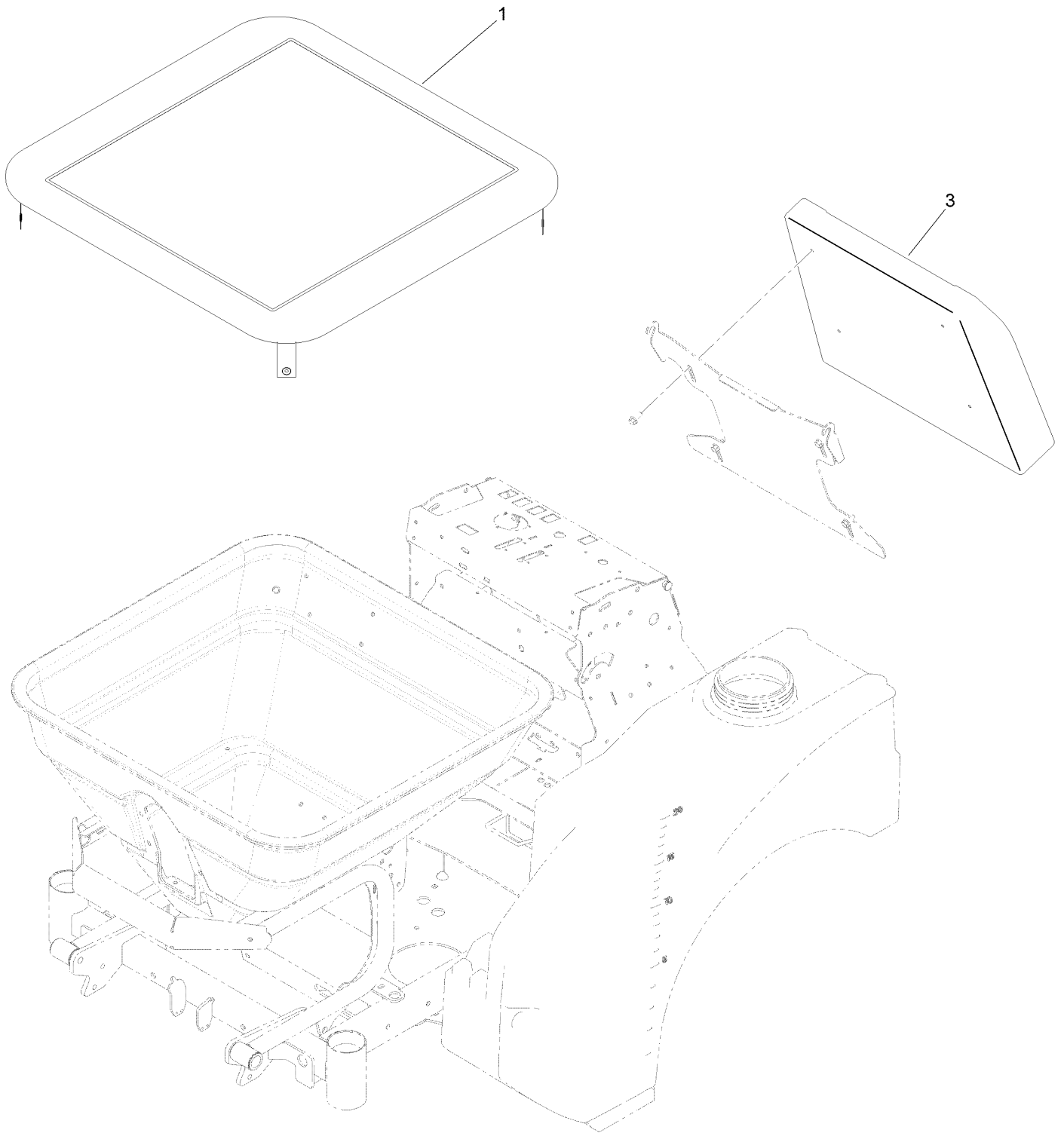
# Hose Reel Assembly No. 135-5787



## Hose Reel Assembly No. 135-5787 (continued)

<i>Ref.</i>	<i>Part Number</i>	<i>Qty.</i>	<i>Description</i>	<i>Ref.</i>	<i>Part Number</i>	<i>Qty.</i>	<i>Description</i>
1	135-8439	1	Plastic Bearing	6	119-4038	1	Nut-Hex Nyloc 5/16-18
2	135-8437	1	Hose Reel Brake Knob	7	135-8436	1	Bolt, Hose Reel Handle
3	135-8438	1	Brake/Bearing 6329-1-1	8	120-9679	1	Washer-Flat
4	135-8421	1	Swivel 3/8" Npt	9	321-10	1	Screw-HH 1/4-20 X 1 3/4
5	135-6011	1	Crank-Reel	10	135-8433	1	Handle ,Hose Reel

# Hopper Cover and Knee Pad Assembly



# Hopper Cover and Knee Pad Assembly (continued)

<i>Ref.</i>	<i>Part Number</i>	<i>Qty.</i>	<i>Description</i>
1	146-0138	1	Cover-Hopper
3	142-7621	1	Pad-Knee

# Attachments and Accessories

## For 34241 — 52in Sprayer SprayMaster Max

<b>Product Name</b>	<b>Model/Part</b>
Nozzle.....	117-5839
5 PSI Check Valve\N11750-PP-5.....	135-8385
Tip, Teejet Light Blue .....	135-8413
Tip-Spray, 015 .....	142-3306
Tip-Spray, 02 .....	142-3307
Tip-Spray, 025 .....	142-3308
Tip-Spray, 03 .....	142-3309
Tip-Spray, 04 .....	142-3310
Tip-Spray, 05 .....	142-3311
Tip-Spray, 06 .....	142-3312
Wide Application Nozzle Kit.....	142-5488
Foam Marker Kit .....	142-7070
Light Kit.....	142-7876
Vibratory Motor .....	142-7877
Pump Kit, 7 Gallon.....	142-7879
Dual Pump Kit.....	142-8700
30 Gallon Auxiliary Tank Kit, 46in or 52in SprayMaster .....	146-0600
7 Gallon Isolated Tank Kit, 46in or 52in SprayMaster .....	146-0602
7 Gallon Auxiliary Tank Kit, 46in or 52in SprayMaster .....	146-0603
Tip-Spray, XRC11020 .....	146-0633

**Notes:**

**Notes:**

**Notes:**



**Count on it.**