



Count on it.

Parts Catalog

Greensmaster® 1018 Mower

Model No. 04820—Serial No. 420000000 and Up



Ordering Replacement Parts

To order replacement parts, please supply the part number, the quantity, and the description of each part desired.

Understanding Reference Numbers

Each identified part in an illustration has a reference number. The reference number for a part also appears in the parts list, along with other information about the part.

This catalog uses two special reference number formats, one to indicate parts in a service assembly and another to indicate the quantity of a given part in an illustration.

Service Assembly Reference Numbers

Parts in service assemblies have reference numbers in the form a:b. The a represents the reference number of the entire service assembly and the b represents a sequential number unique to each part within the service assembly.

For example, a wheel assembly might be identified by reference number 6, the tire by 6:1, the valve by 6:2, and the wheel by 6:3. When you order the assembly identified by reference number 6, you receive all parts identified by reference numbers 6:1, 6:2, and 6:3. However, you may also order any part individually. Reference numbers of this type appear in illustration and in parts lists.

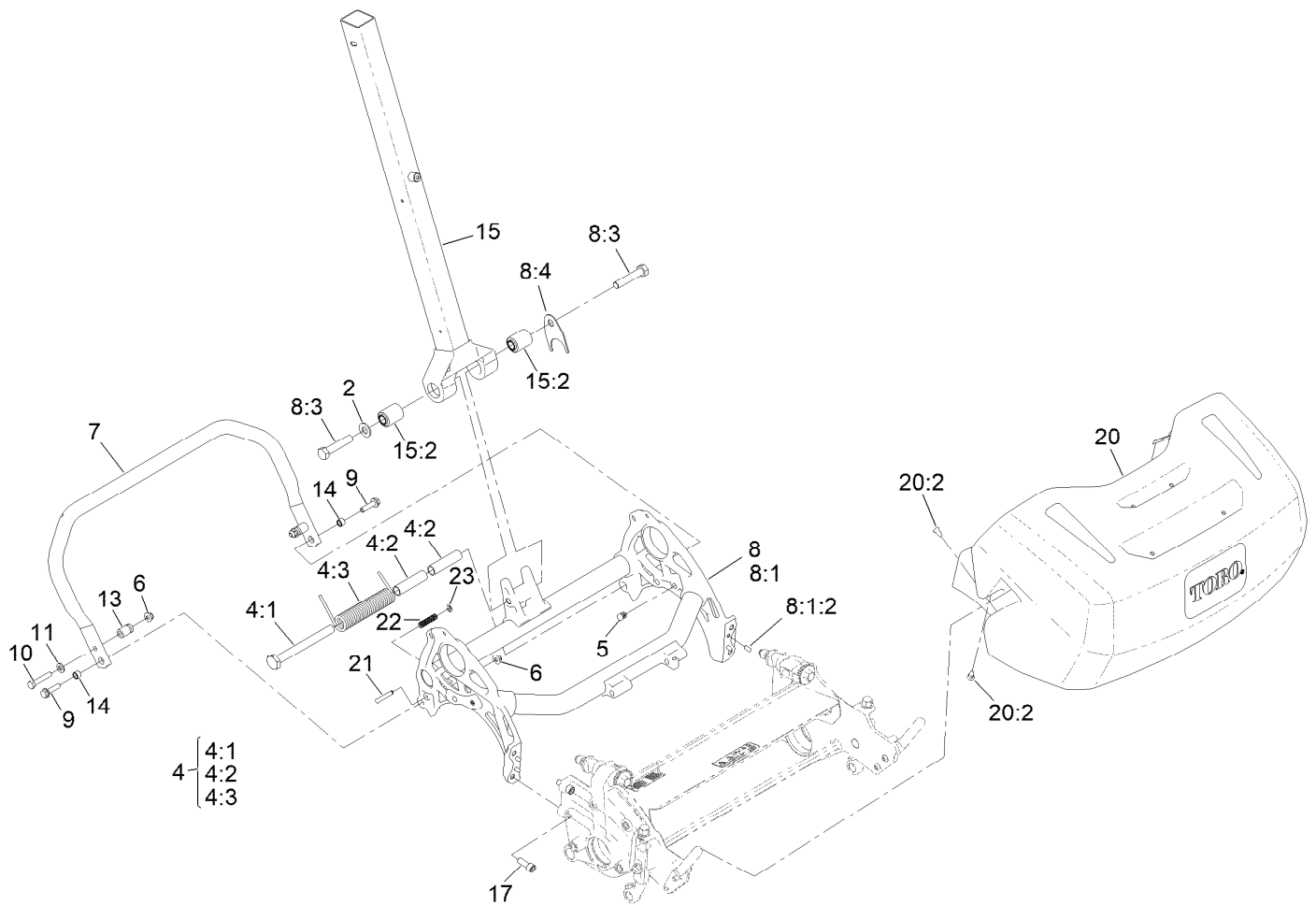
Reference Numbers Indicating Quantity

In an illustration, if a reference number indicates more than one part, the reference number has the form nX y. The n represents the quantity of the part, the X is the multiplication symbol, and the y represents the reference number.

For example, in an illustration, the reference number 2X 37 means that two of the parts identified by reference number 37 are indicated.

Contents

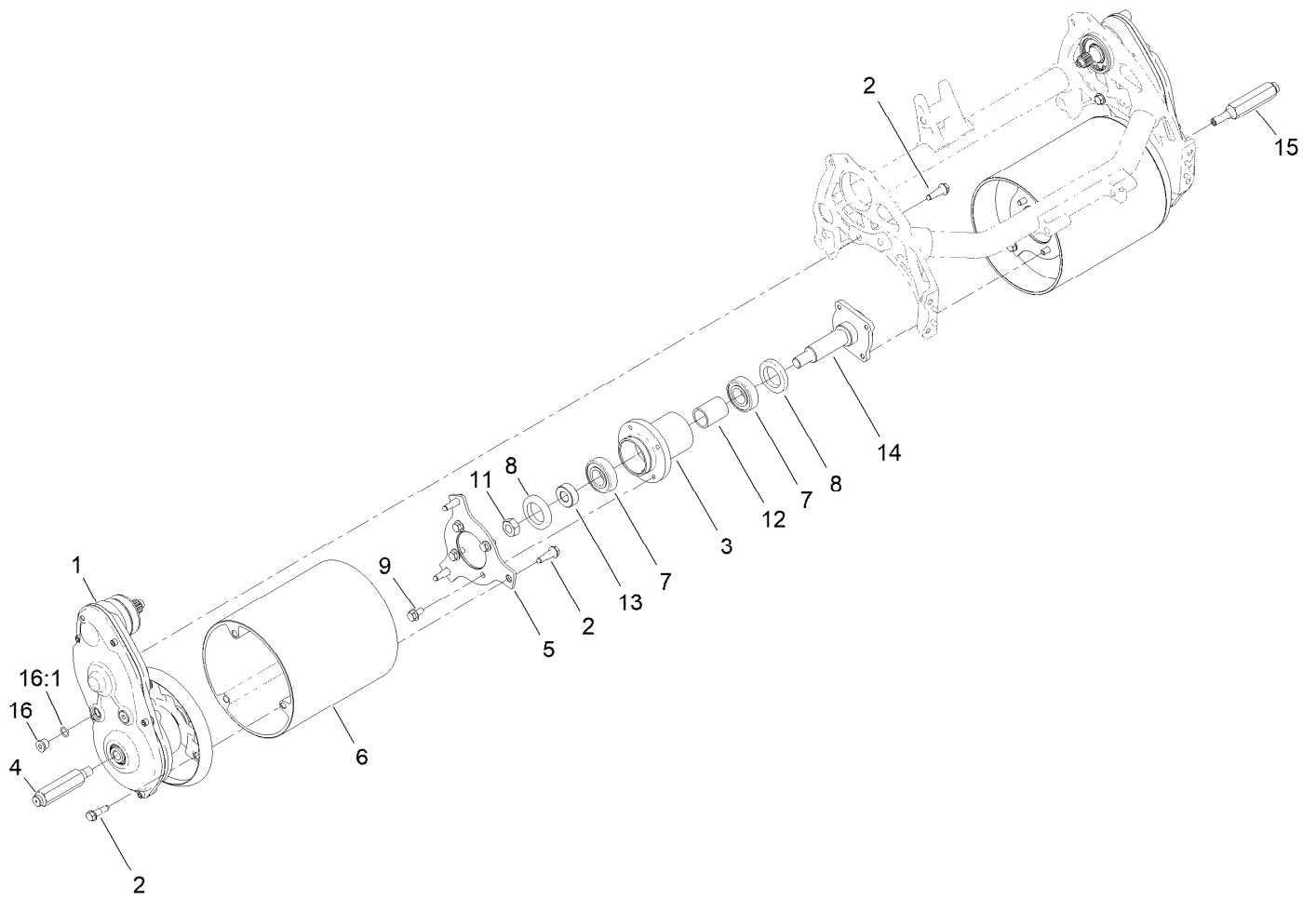
Frame and Handle Mount Assembly	4
Drum Drive Assembly	5
Drum Drive Replacement Kit Assembly No. 147-2345	6
Drum Drive Gear Box Assembly	7
Transmission Assembly	8
Transmission Replacement Kit Assembly No. 140-9324	9
Transmission Gearbox Assembly No. 140-9324 Transmission Case Assembly	10
Transmission Gearbox Assembly No. 140-9324 Reel Drive Assembly	11
Transmission Gearbox Assembly No. 140-9324 Traction Drive Assembly	12
Differential Assembly No. 132-4555	13
Engine Assembly	14
Engine Assembly No. 161-7372	15
Reel Controls and Covers Assembly	16
Upper Receiver Assembly No. 147-2288	17
Upper Handle Assembly	18
Traction Bail Assembly	19
Miscellaneous Parts Assembly	20
Attachments and Accessories	21



Frame and Handle Mount Assembly

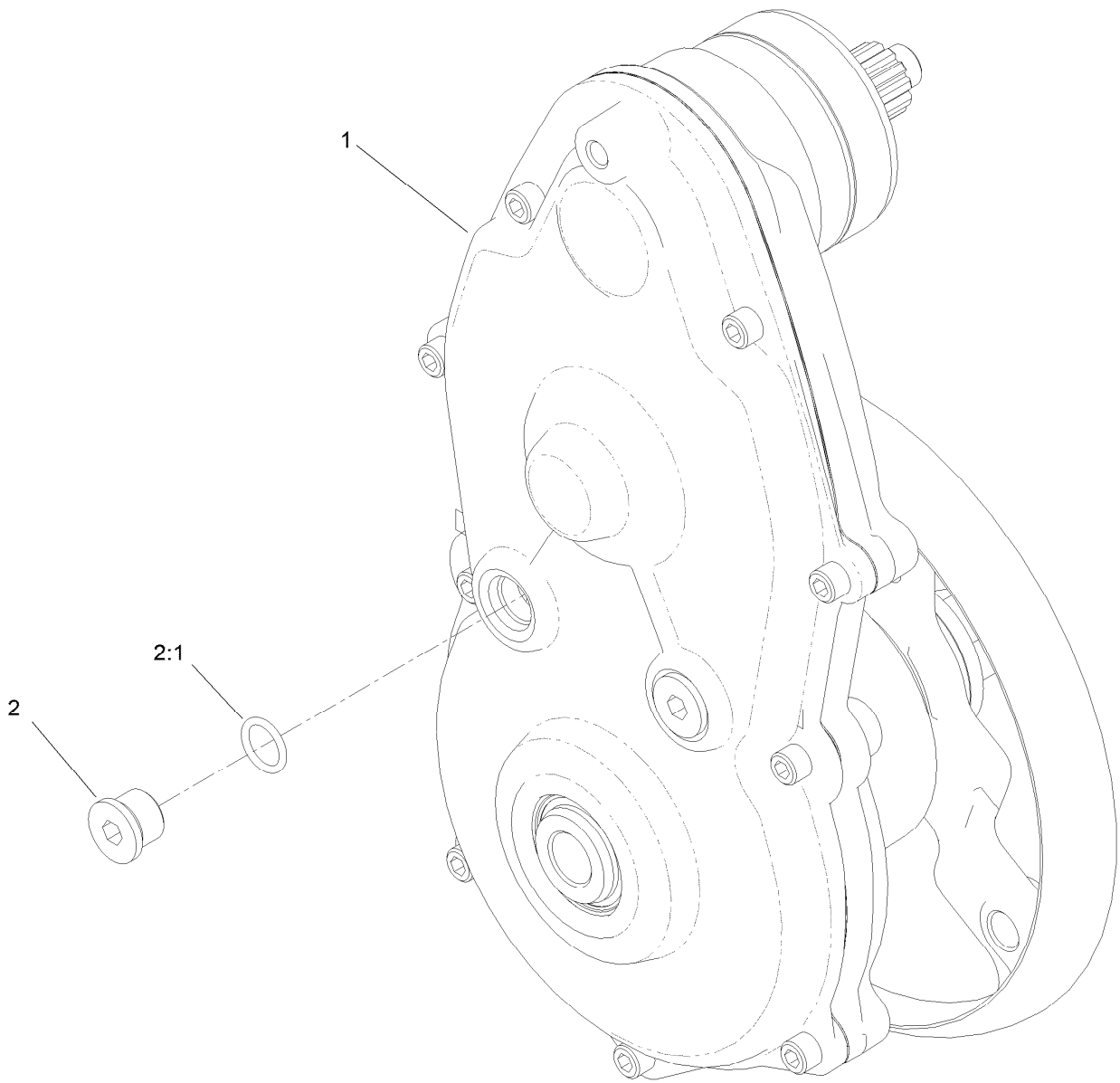
Ref.	Part Number	Qty.	Description	Ref.	Part Number	Qty.	Description
2	139-2611	1	Washer-Flat	9	112-6913	2	Screw-HF
4	147-2290	1	Kit-Kickstand Spring Replacement	10	322-9	2	Screw-HH
4:1	147-2285	1	Pin-Mount, Spring	11	3256-23	2	Washer-Plain
4:2	147-2286	2	Sleeve, Spring-Mount	13	65-7900	2	Retainer-Spring
4:3	147-2268	1	Spring-Torsion, LH	14	65-7910	2	Spacer
5	139-4326	2	Plug-Plastic	15	137-0292	1	Lower Handle ASM
6	119-4041	3	Nut-HF	15:2	138-1469	2	Bushing-Straight
7	147-2273	1	Kickstand, 18 Inch	17	3274-7	4	Screw-HSH
8	140-9347	1	Frame ASM, 18"	20	140-9292	1	Basket-Grass, GR1018
8:1		1	Frame ASM, 18" ●	20:2	121-4729	4	Plug
8:1:2	95-0715	4	Pin-Dowel	21	139-7431	1	Pin-Kickstand, Lock
8:3	325-10	2	Screw-HH	22	73-3450	1	Spring-Compression
8:4	140-9333	1	Washer, Anti-Rotation	23	32151-86	1	E-Ring

● Not serviced separately



Drum Drive Assembly

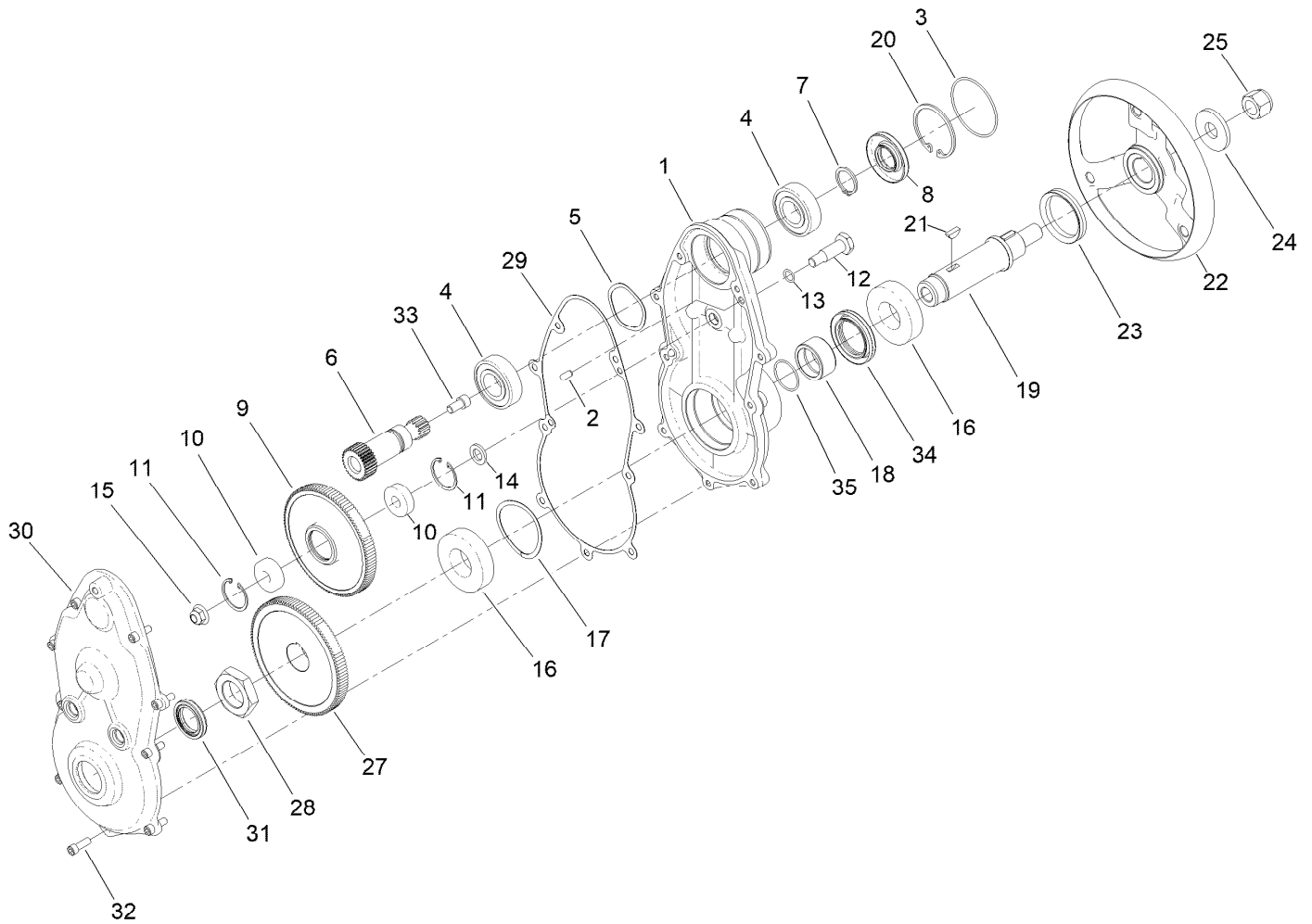
<i>Ref.</i>	<i>Part Number</i>	<i>Qty.</i>	<i>Description</i>
1	147-2345	1	Drum Drive Replacement Kit
2	132-4607	14	Bolt-Shoulder, Flange
3	132-6971	1	Hub-Drum
4	132-4605	1	Shaft-Hex, RH
5	147-2257	2	Plate-Drum, Hub
6	138-1527	2	Drum-Traction, 18 Inch
7	251-82	2	Bearing-Ball
8	253-159	2	Seal
9	114-7728	8	Screw-HHF, Patch
11	3296-33	1	Nut-Lock, NI
12	65-6520	1	Spacer
13	65-6530	1	Spacer
14	94-5850	1	Spindle-Drum
15	132-4606	1	Shaft-Hex, LH
16	353-989	4	Plug-Hex, Hollow
16:1	237-42	1	O-Ring



Drum Drive Replacement Kit Assembly No. 147-2345

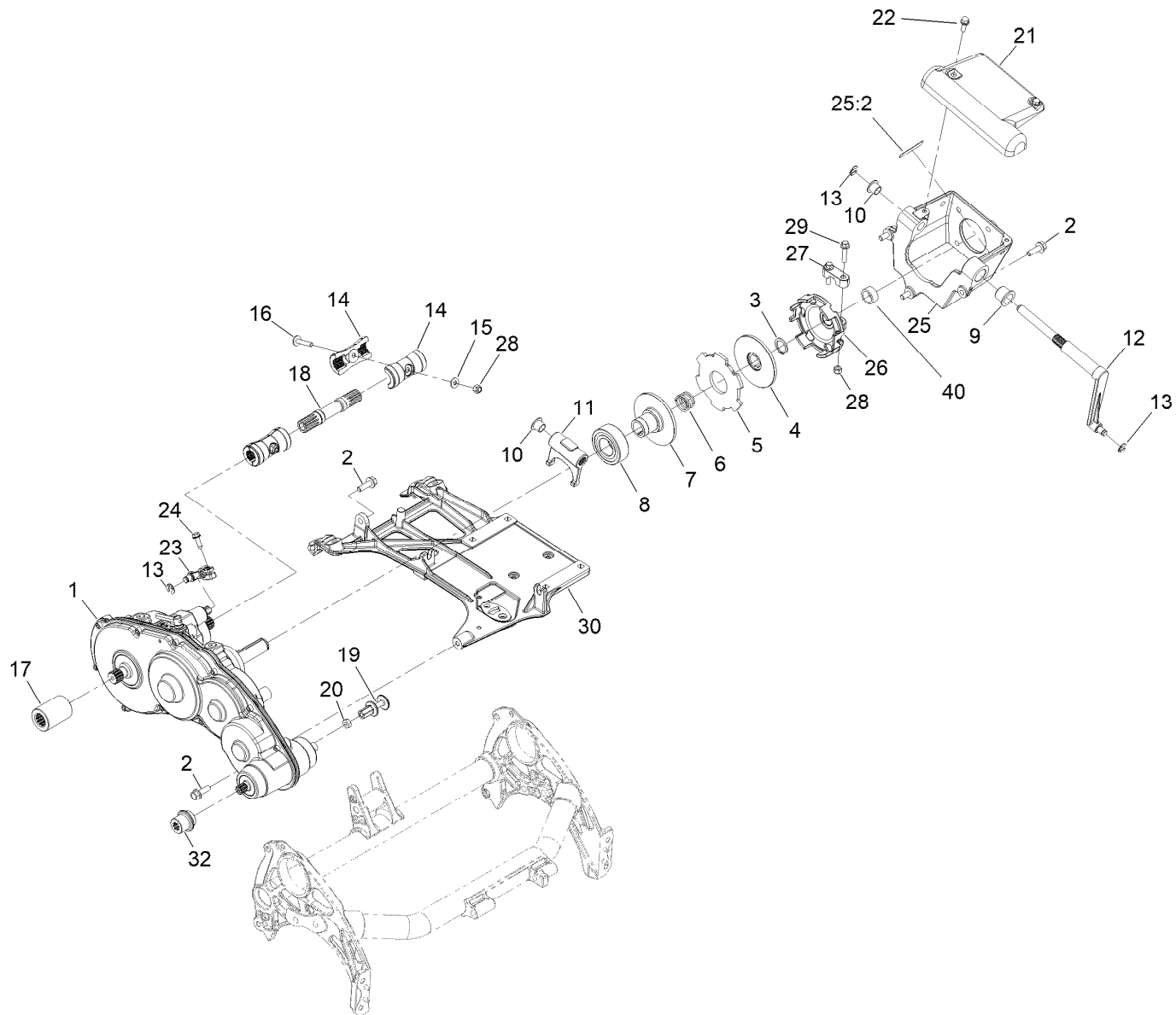
<i>Ref.</i>	<i>Part Number</i>	<i>Qty.</i>	<i>Description</i>
1		1	Drum Drive Gear Box ASM ●
2	353-989	2	Plug-Hex, Hollow
2:1	237-42	1	O-Ring

● Not serviced separately



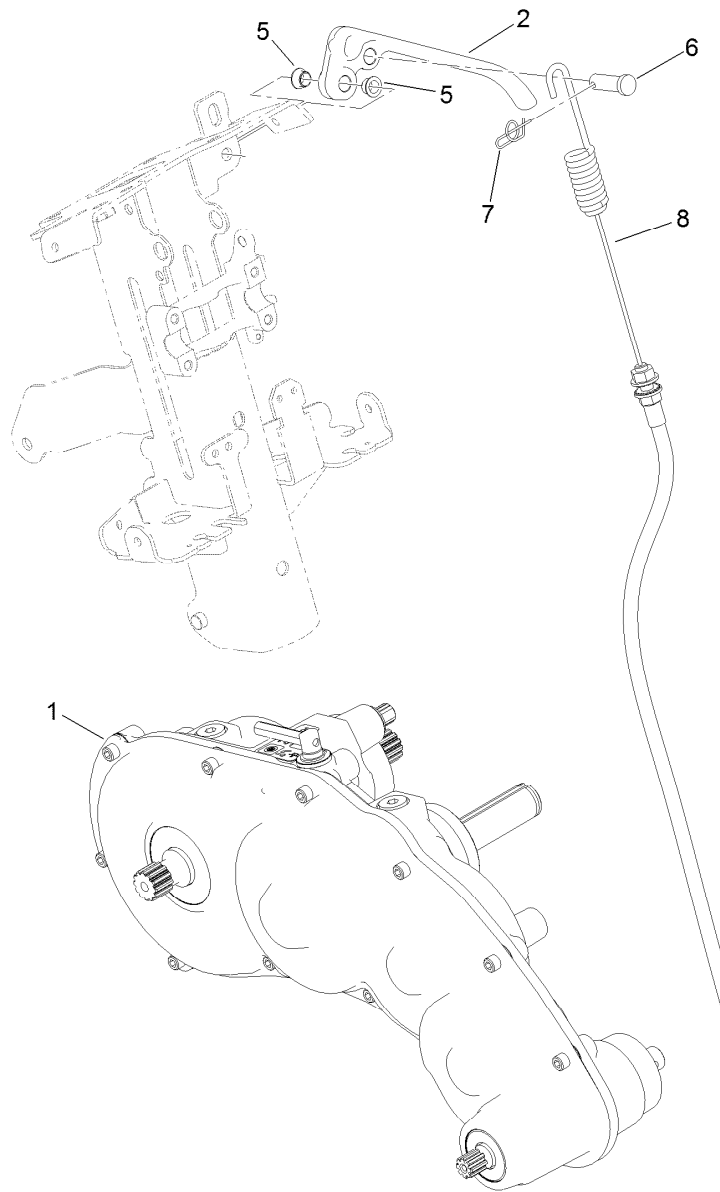
Drum Drive Gear Box Assembly

Ref.	Part Number	Qty.	Description	Ref.	Part Number	Qty.	Description
1	147-2321	1	Housing-Drive, Drum	18	147-2348	1	Spacer
2	133-4591	2	Pin-Dowel	19	133-4562	1	Shaft-Drum, Drive
3	133-9082	1	O-Ring	20	138-1480	1	Ring-Retaining, Int (52MM)
4	251-82	2	Bearing-Ball	21	138-1504	2	Key-Woodruff, 5MM
5	3290-485	1	Washer-Wave	22	133-9244	1	Hub-Drum, Outer
6	132-4565	1	Gear-Spur, 30T	23	253-161	1	Seal-V-Ring
7	138-1507	1	Ring-Retaining, EXT (25MM)	24	104-9216	1	Washer-Hardened
8	138-1491	1	Seal-Oil	25	126-3841	1	Nut-Hex, NI
9	137-0274	1	Gear-Spur, 108T	27	147-2349	1	Gear-Spur, 114T
10	49-2410	2	Bearing-Ball	28	133-9078	1	Nut-Hex
11	138-1506	2	Ring-Retaining, Int (32MM)	29	147-2324	1	Gasket-Drum Drive
12	133-4558	1	Pin-Bearing, Short	30	147-2323	1	Cover-Drive, Drum
13	80-8460	1	O-Ring	31	133-4559	1	Seal-Oil
14	133-4553	1	Spacer-Bearing	32	140-9233	9	Screw-HSH, Patch
15	119-4042	1	Nut-HF, NI	33	3274-12	1	Screw-HSH
16	251-312	2	Bearing-Ball	34	147-2346	1	Seal-Oil
17	115-5258	1	Spring-Wire, Flat	35	147-2347	1	O-Ring



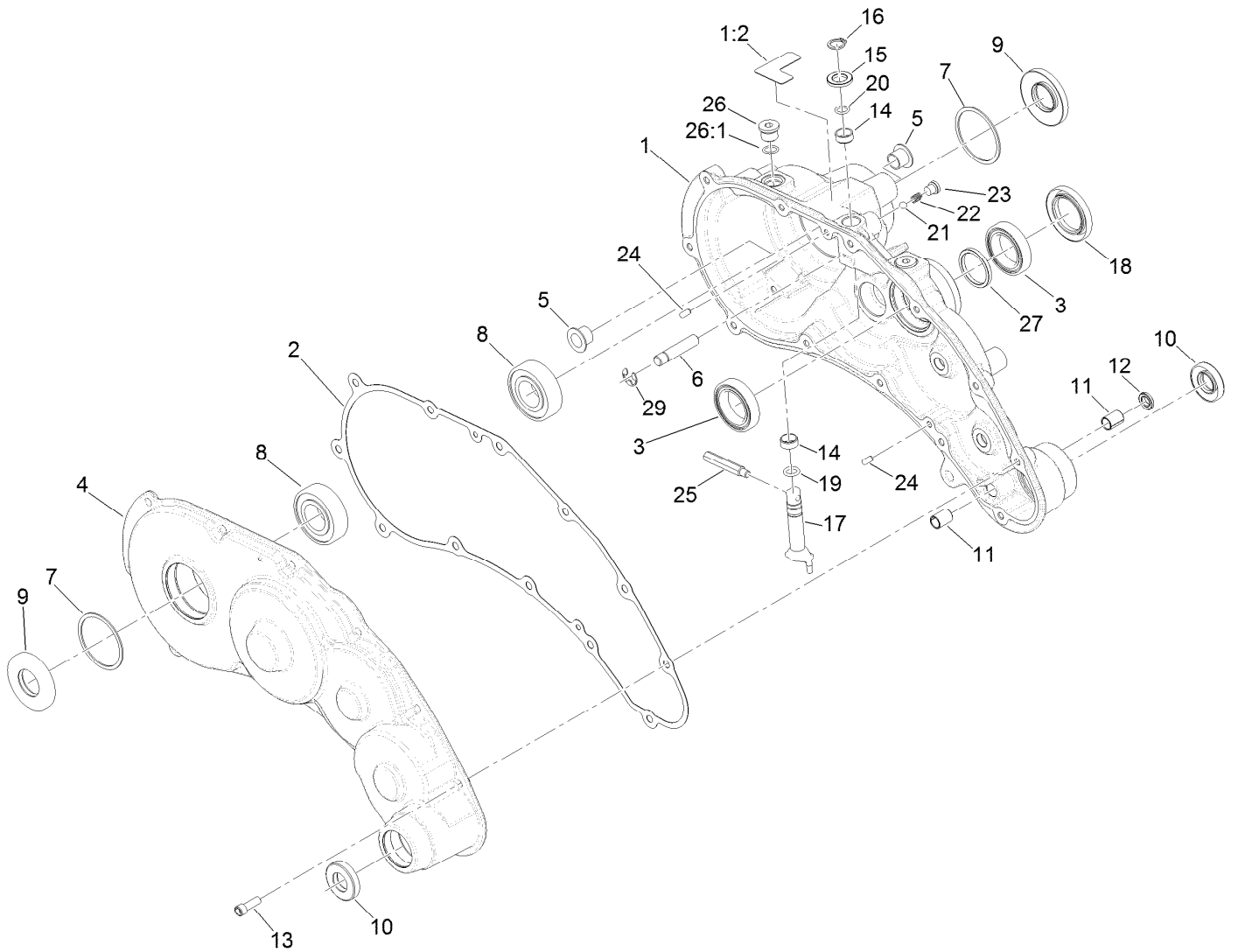
Transmission Assembly

Ref.	Part Number	Qty.	Description	Ref.	Part Number	Qty.	Description
1	140-9324	1	Transmission Replacement Kit	17	138-1615	1	Tube-Drive
2	115-5142	5	Screw-HHF, Patch	18	139-4327	1	Shaft-Drive, 18 Inch
3	32151-33	1	Ring-Retaining, EXT	19	133-9207	1	Adapter-Slider
4	133-9095	1	Disc-Clutch	20	120-9638	1	Nut-Jam
5	133-9094	1	Plate-Friction	21	138-5545	1	Cover-Clutch
6	133-9123	1	Spring-Compression, Clutch	22	119-1138	2	Screw-HHF, Patch
7	138-1508	1	Disc-Clutch, Slider	23	133-9117	1	Lever-Brake, Cable
8	138-1505	1	Bearing-Sealed, Self Aligning	24	131-6150	1	Screw-HWHTF
9	132-4089	1	Bushing	25	139-4301	1	Bell Housing ASM
10	125-5239	2	Bushing-Flange	25:2	120-9570	1	Decal-Warning
11	138-3548	1	Fork-Clutch	26	138-3542	1	Hub-Clutch, External
12	138-3549	1	Shaft-Fork	27	138-5522	1	Clamp-Hub, Clutch
13	32151-47	3	Ring-Retaining	28	3296-42	4	Nut-Lock, NI
14	133-9100	4	Coupler-Splined, 4 Tooth	29	127-8639	2	Screw-HHF
15	119-8952	2	Washer-Spcl	30	138-5517	1	Base-Engine
16	126-8232	2	Screw-Truss Hex Skt	32	140-9380	1	Tube-Drive, Reel
				40	147-2265	1	Spacer-Clutch



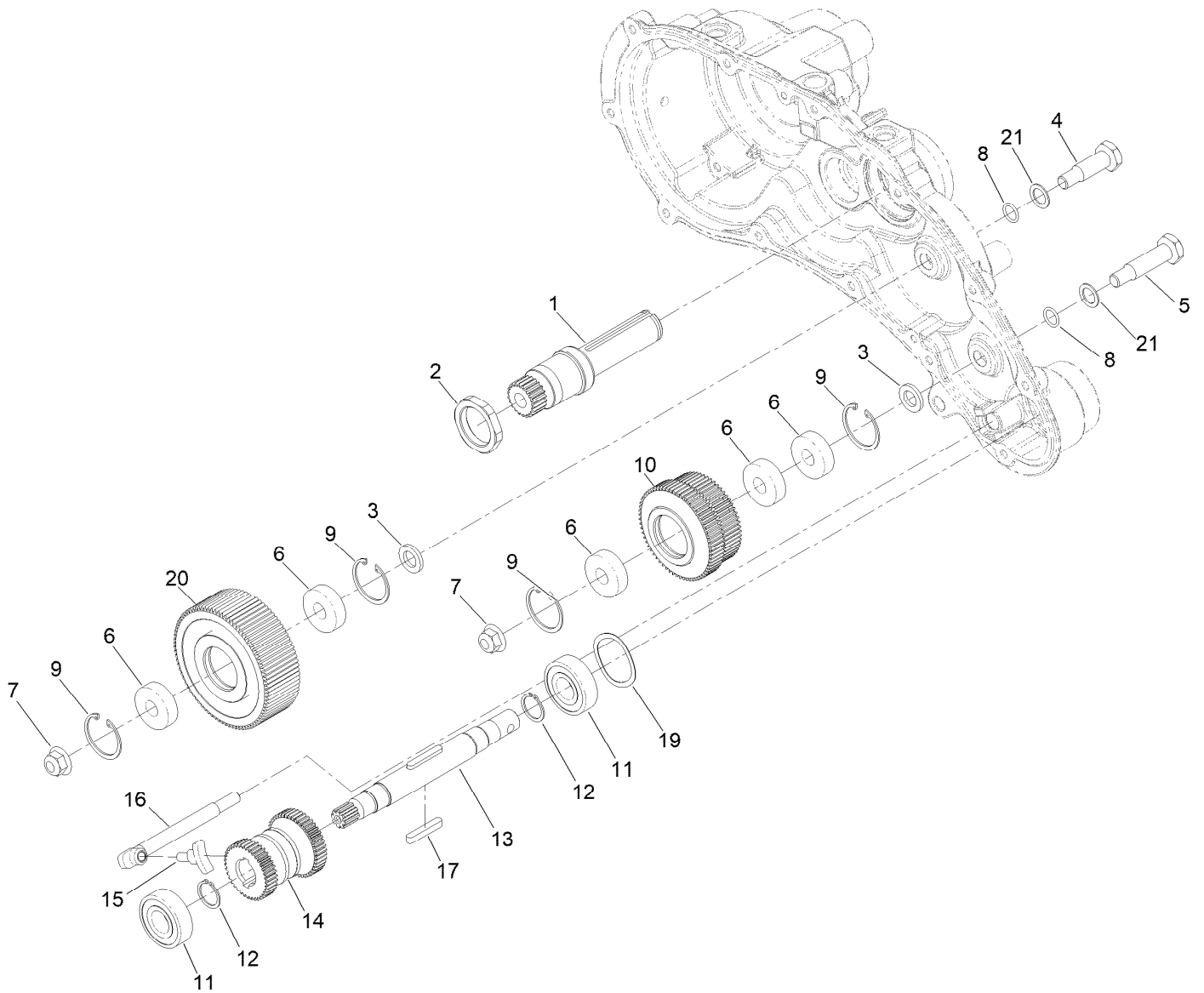
Transmission Replacement Kit Assembly No. 140-9324

<i>Ref.</i>	<i>Part Number</i>	<i>Qty.</i>	<i>Description</i>
1	130-6820	1	Transmission Gear Box ASM
2	140-9298	1	Lever-Brake
5	138-5538	2	Bushing-Flange
6	1-808285	1	Pin-Clevis
7	140-9312	1	Pin-Cotter, Locking
8	140-9318	1	Cable ASM, Brake



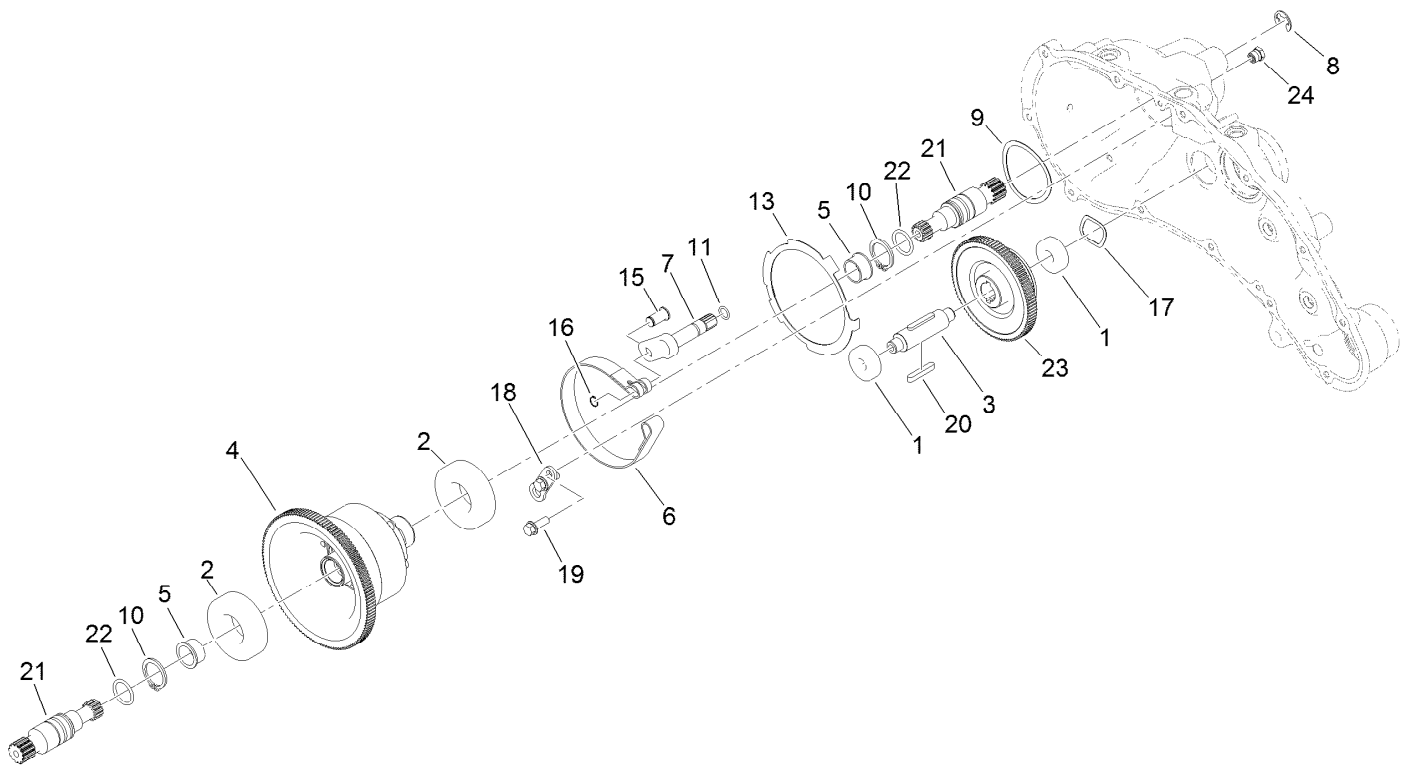
Transmission Gearbox Assembly No. 140-9324 Transmission Case Assembly

<i>Ref.</i>	<i>Part Number</i>	<i>Qty.</i>	<i>Description</i>	<i>Ref.</i>	<i>Part Number</i>	<i>Qty.</i>	<i>Description</i>
1	139-4306	1	Transmission Housing ASM	15	108-5059	1	Spacer-Bushing
1:2	138-1644	1	Decal-Release, Traction	16	32151-61	1	Ring-Retaining
2	132-4551	1	Gasket-Transmission	17	130-6816	1	Shaft-Selector, Traction
3	121-9281	2	Bearing-Ball	18	140-9325	1	Seal-Grease, High Temp
4	138-1603	1	Transmission Cover ASM	19	131-1879	1	O-Ring Seal
5	125-5239	2	Bushing-Flange	20	237-22	1	O-Ring
6	133-9122	1	Pin-Mount, Brake	21	105-2442	1	Ball-Detent
7	32151-92	2	Ring-Retaining	22	105-2443	1	Spring-Detent
8	251-82	2	Bearing-Ball	23	131-1825	2	Plug-ORB
9	133-9075	2	Seal-Oil	24	121-9249	2	Pin-Dowel
10	130-9463	2	Seal-Oil	25	133-9149	1	Pin-Groomer
11	131-3038	2	Bushing-Sleeve	26	353-989	2	Plug-Hex, Hollow
12	131-3126	1	Seal-Oil	26:1	237-42	1	O-Ring
13	140-9233	12	Screw-HSH, Patch	27	138-1496	1	Spacer
14	121-4738	2	Bushing-Straight	29	105-7004	1	E-Ring



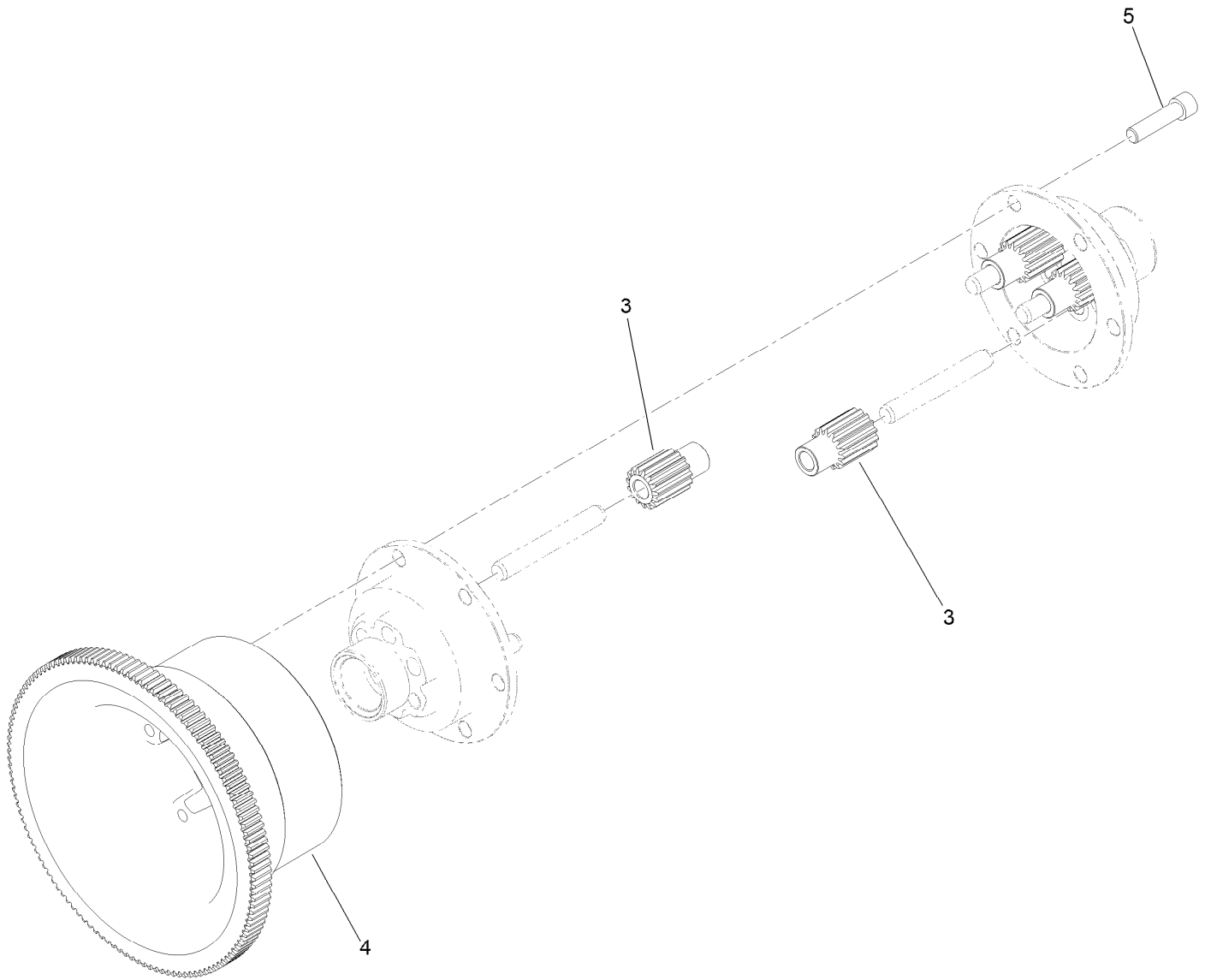
Transmission Gearbox Assembly No. 140-9324 Reel Drive Assembly

<i>Ref.</i>	<i>Part Number</i>	<i>Qty.</i>	<i>Description</i>	<i>Ref.</i>	<i>Part Number</i>	<i>Qty.</i>	<i>Description</i>
1	138-1509	1	Shaft-Input, 22T	12	138-1629	2	Ring-Retaining, EXT (17MM)
2	138-1495	1	Nut-Lock, Thin	13	139-4359	1	Shaft-Drive, Reel
3	133-4553	2	Spacer-Bearing	14	130-6834	1	Gear-Spur, Slider
4	133-4558	1	Pin-Bearing, Short	15	133-9120	1	Shoe-Clutch, Reel
5	133-4557	1	Pin-Bearing, Long	16	133-9121	1	Actuator-Clutch, Reel
6	49-2410	5	Bearing-Ball	17	103-2739	2	Key
7	119-4042	2	Nut-HF, NI	19	131-3170	1	Spring-Wave
8	80-8460	2	O-Ring	20	137-0273	1	Gear-Spur, 85T
9	138-1506	4	Ring-Retaining, Int (32MM)	21	161-7385	2	Washer-Fiber
10	137-0272	1	Gear-Spur, 60T/65T				
11	38-7820	2	Bearing-Ball				



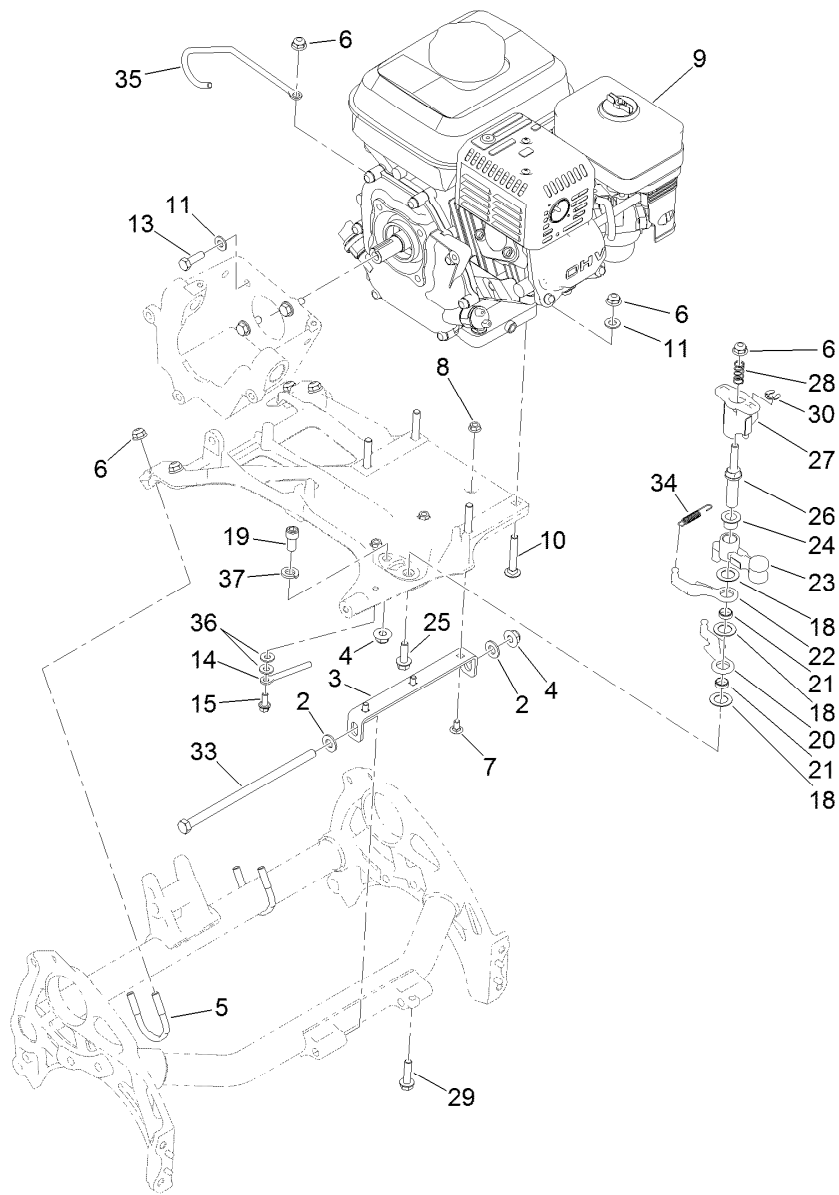
Transmission Gearbox Assembly No. 140-9324 Traction Drive Assembly

<i>Ref.</i>	<i>Part Number</i>	<i>Qty.</i>	<i>Description</i>	<i>Ref.</i>	<i>Part Number</i>	<i>Qty.</i>	<i>Description</i>
1	49-2410	2	Bearing-Ball	13	140-9236	1	Plate-Retainer, Brake
2	251-312	2	Bearing-Ball	15	120-9687	1	Pin-Clevis, Brake
3	137-0236	1	Shaft-Slider, Neutral	16	32120-46	1	Ring-Retaining
4	132-4555	1	Differential ASM	17	112-5163	1	Washer-Wave
5	256-252	2	Bearing-Flange	18	140-9279	1	Plate-Retainer, Pin
6	140-9277	1	Band-Brake	19	119-1138	2	Screw-HHF, Patch
7	132-4550	1	Lever-Brake	20	103-2739	2	Key
8	32120-47	1	Ring-Retaining, External	21	130-6841	2	Shaft-Differential
9	115-5258	1	Spring-Wire, Flat	22	237-159	2	O-Ring
10	32151-36	2	Ring-Retaining	23	137-0276	1	Gear-Spur, Neutral (93T)
11	237-22	1	O-Ring	24	133-4589	1	Fitting-Plug



Differential Assembly No. 132-4555

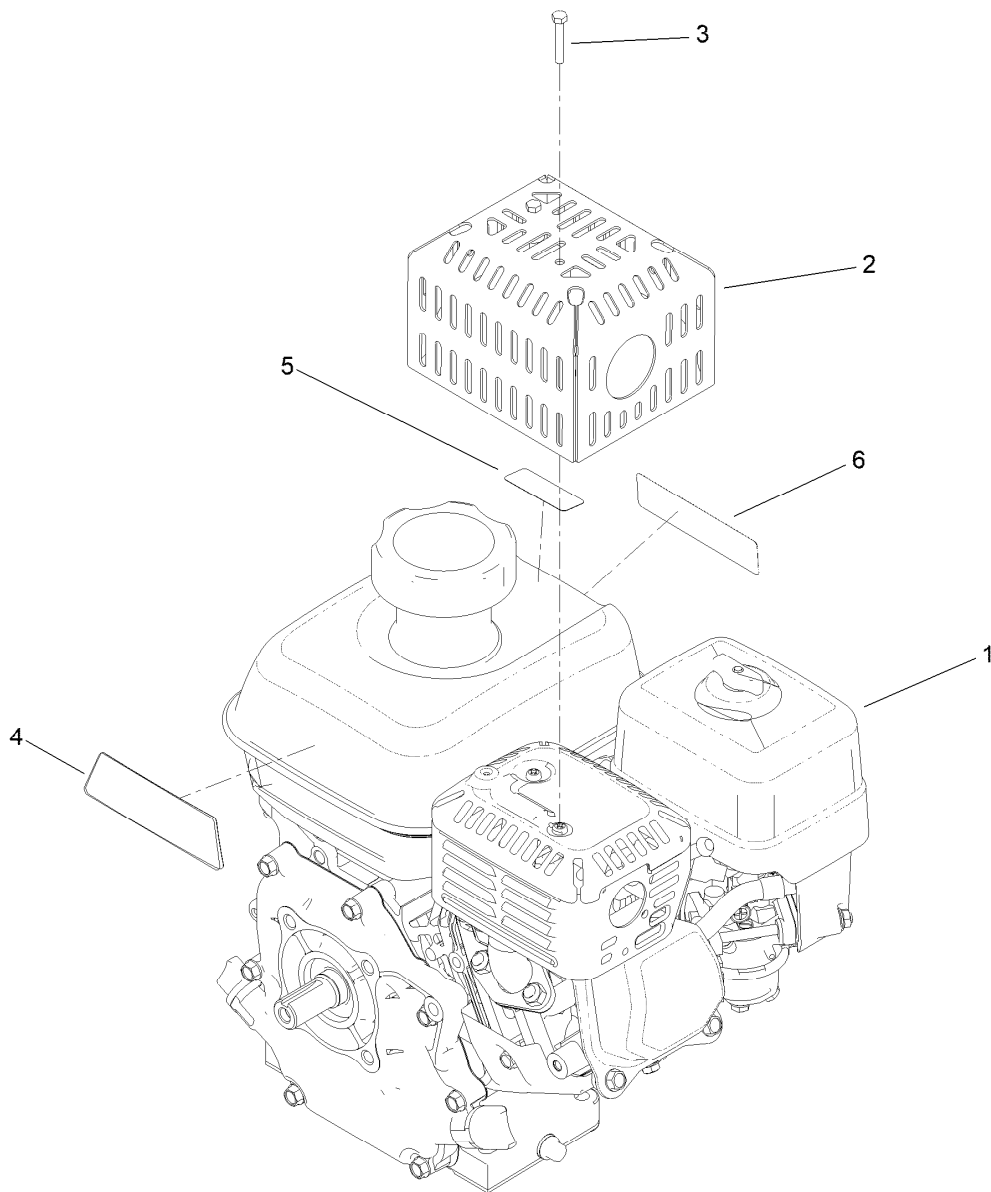
<i>Ref.</i>	<i>Part Number</i>	<i>Qty.</i>	<i>Description</i>
3	130-6840	6	Gear-Spur, Differential
4	137-0294	1	Gear-Differential, 127T
5	3274-26	6	Screw-HSH



Engine Assembly

Ref.	Part Number	Qty.	Description	Ref.	Part Number	Qty.	Description
2	3256-24	2	Washer-Plain	21	133-9226	2	Bushing-Straight
3	138-1623-01	1	Bracket-Mount, Engine	22	138-1524	1	Lever-Reel
4	119-4042	2	Nut-HF, NI	23	133-9206	1	Bellcrank-Reel
5	137-0301	2	Clamp-Tube	24	125-5239	1	Bushing-Flange
6	119-4041	9	Nut-HF	25	115-5142	1	Screw-HHF, Patch
7	116-5611	3	Bolt-Carriage	26	137-0298	1	Shaft-Selector, Reel
8	32128-10	3	Nut-Lock, HHF	27	137-0299	1	Hub-Selector, Reel
9	161-7372	1	Engine ASM, Honda ●	28	117-1031	1	Spring-Compression
10	3230-6	4	Bolt-CARR	29	112-6913	1	Screw-HF
11	3256-23	8	Washer-Plain	30	32151-47	1	Ring-Retaining
13	131-5919	4	Screw-HH, Patch	33	323-30	1	Screw-HH
14	138-1591	1	Guide-Cable	34	119-4609	1	Spring-Extension
15	3234-33	1	Screw-HHF	35	139-4309	1	Guide-Cable
18	139-7362	3	Washer-Poly	36	3256-22	2	Washer-Flat
19	131-8573	1	Screw-HSH	37	3253-21	1	Washer-Lock
20	138-1523	1	Reel Lever				

● Obtain parts from www.honda-engines.com

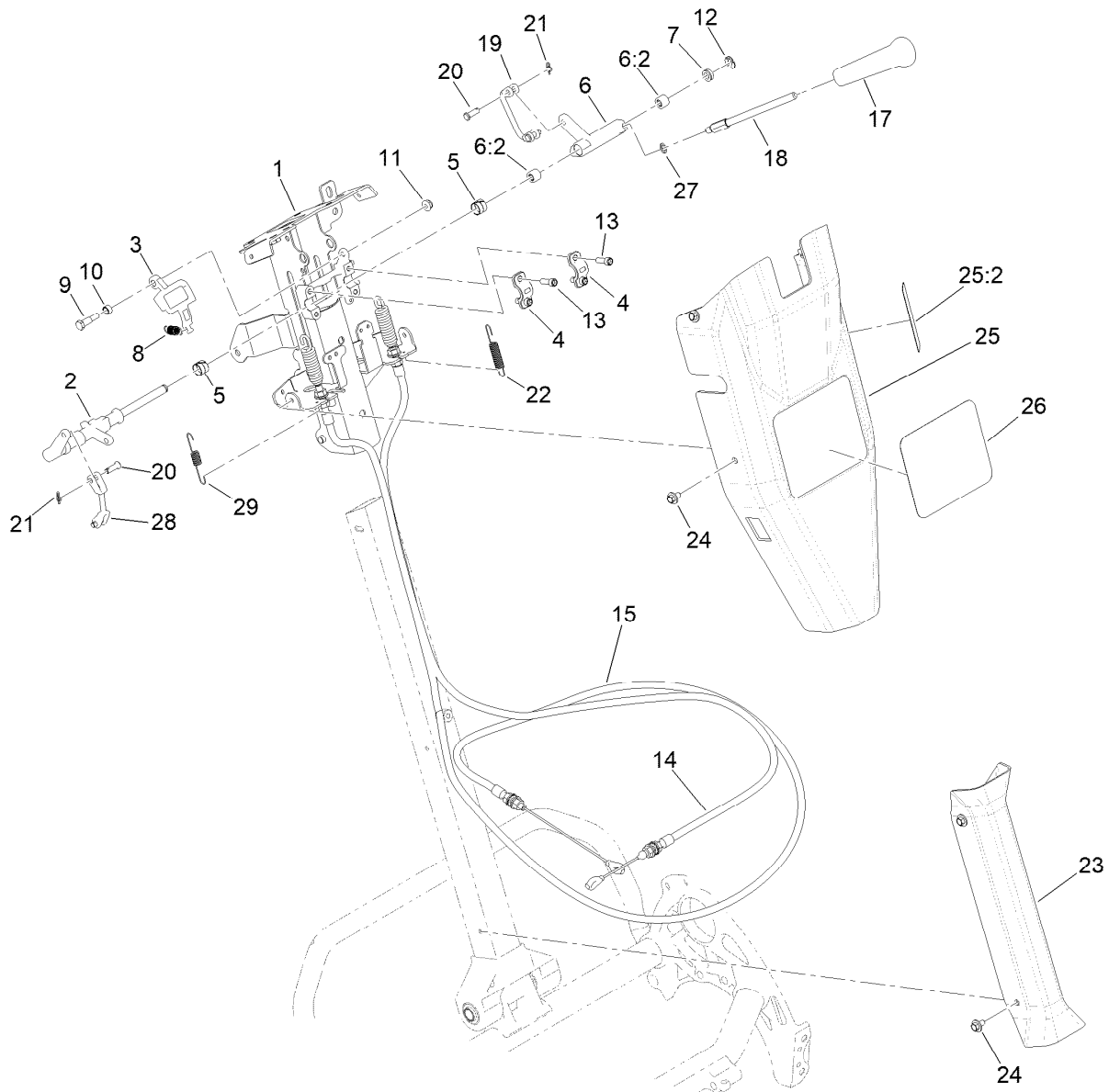


Engine Assembly No. 161-7372

Ref.	Part Number	Qty.	Description
1		1	Engine-Honda ●■
2	138-2128-03	1	Guard-Muffler
3	87-5150	2	Screw-HH
4	138-2138	1	Decal-Warning, Engine
5	130-8322	1	Decal-Warning, Ethanol
6	133-8062	1	Decal-Spark Arrestor

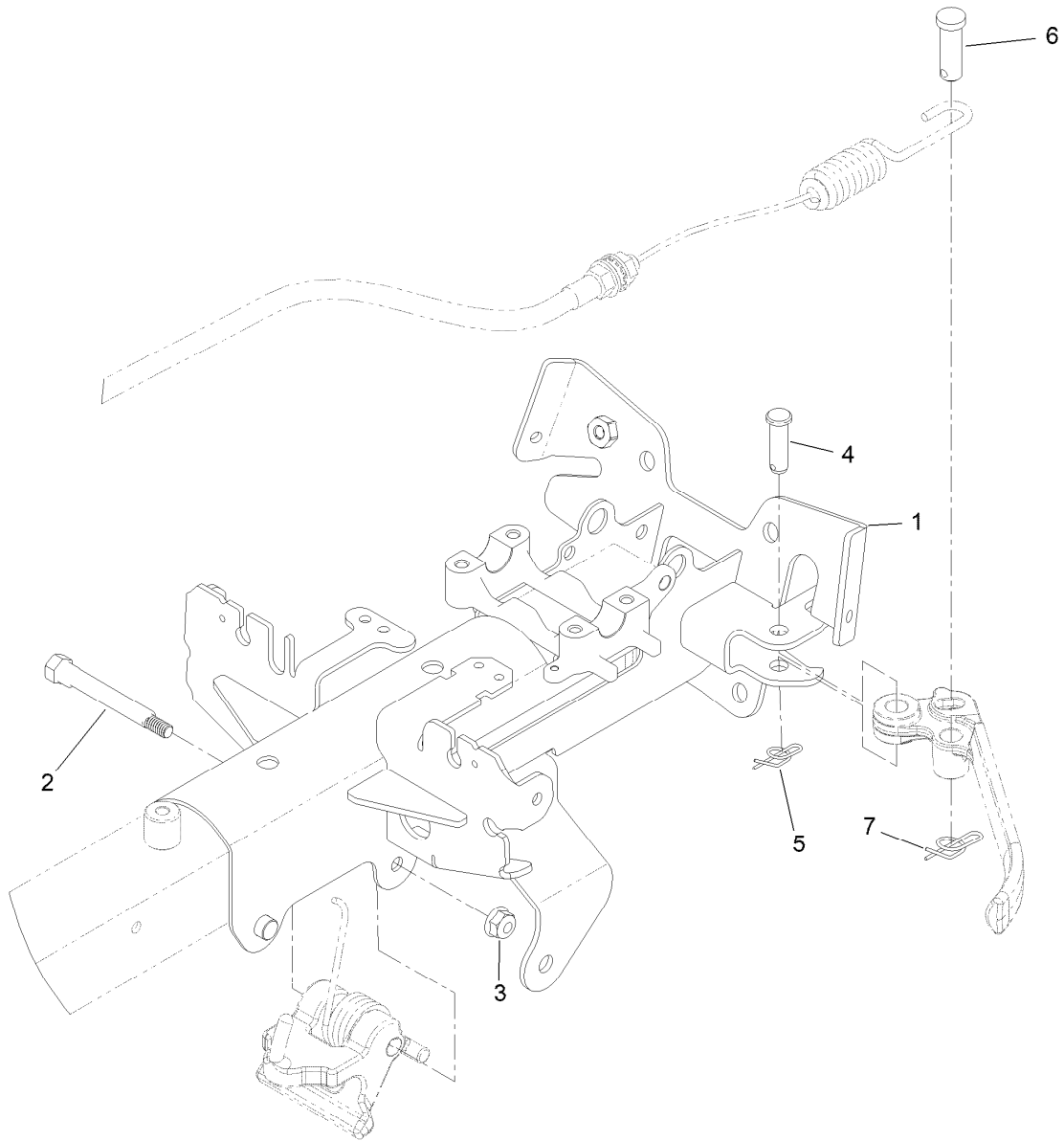
● Not serviced separately

■ Obtain parts from www.honda-engines.com



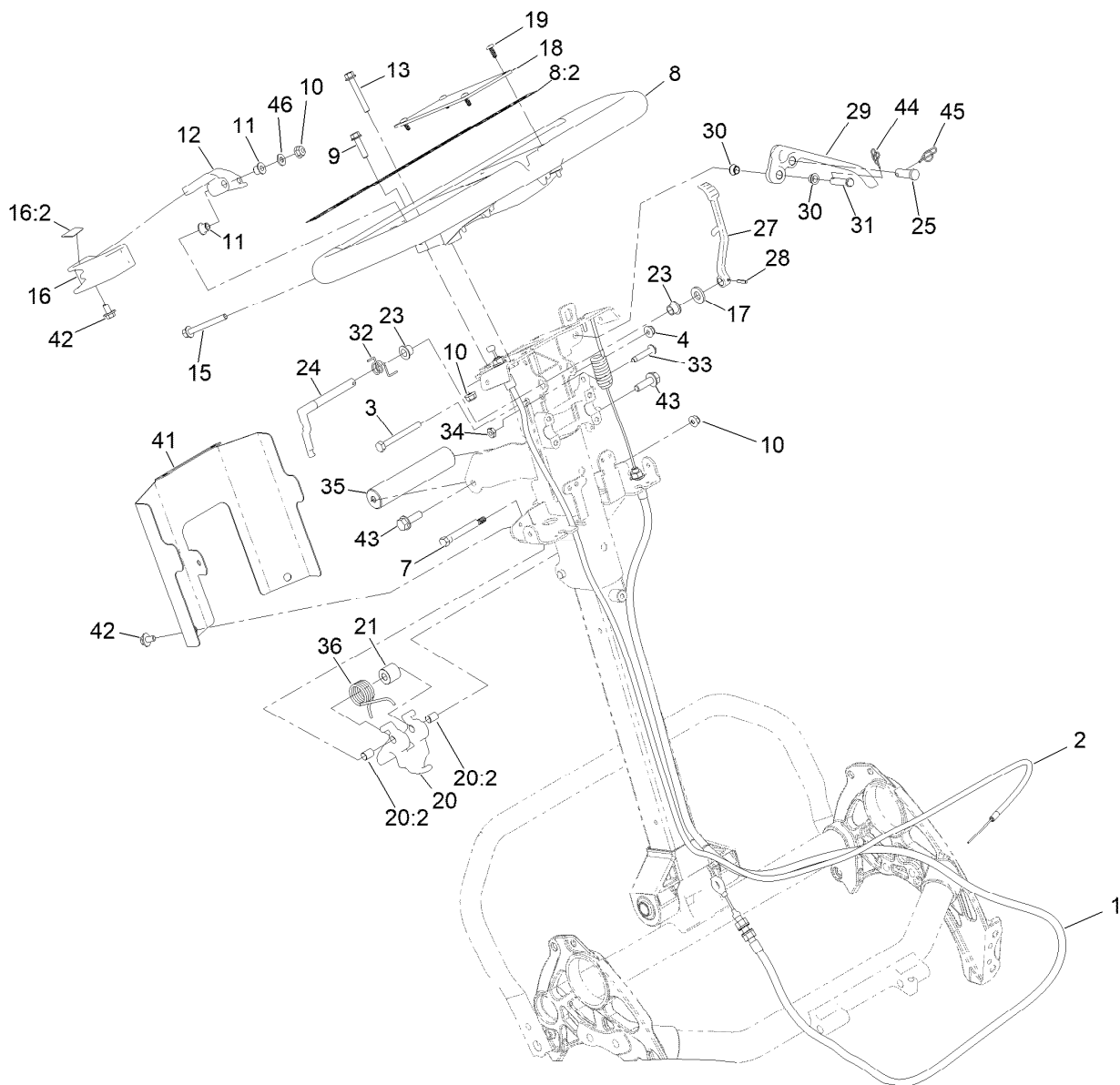
Reel Controls and Covers Assembly

Ref.	Part Number	Qty.	Description	Ref.	Part Number	Qty.	Description
1	147-2288	1	Upper Receiver Replacement Kit	15	140-9330	1	Cable-Reel Engagement
2	140-9305	1	Shaft-Main, Controls	17	104-9760	1	Knob-Black
3	137-0266	1	Cam-Latch, Upper	18	137-0190	1	Rod-Handle, Reel Lever
4	138-1513	2	Clamp-Shaft, Control	19	137-0232	1	Connector-Clevis
5	137-0263	2	Bushing-Split	20	1-808265	4	Pin-Clevis
6	137-0312	1	Reel Lever ASM	21	138-1587	2	Clip-Pin, Cotter
6:2	138-1637	2	Bearing-Needle	22	138-1536	1	Spring-Extension
7	131-3187	1	Seal-V-Ring	23	138-1479	1	Cover-Handle, Lower
8	140-3410	1	Spring-Extension	24	46-6810	8	Screw And Washer ASM
9	137-0313	1	Screw-Shoulder	25	139-4304	1	Control Upper Cover ASM
10	137-0346	1	Spacer-Latch, Bail	25:2	138-1589	1	Decal-Reel Drive Engagement
11	104-7201	1	Nut-HF, NI	26	138-1582	1	Decal-Greensmaster 1018
12	32151-47	1	Ring-Retaining	27	75-5470	1	Spacer-Bearing
13	140-9233	4	Screw-HSH, Patch	28	138-1592	1	Connector-Clevis
14	137-0180	1	Cable-Clutch	29	140-3417	1	Spring-Extension



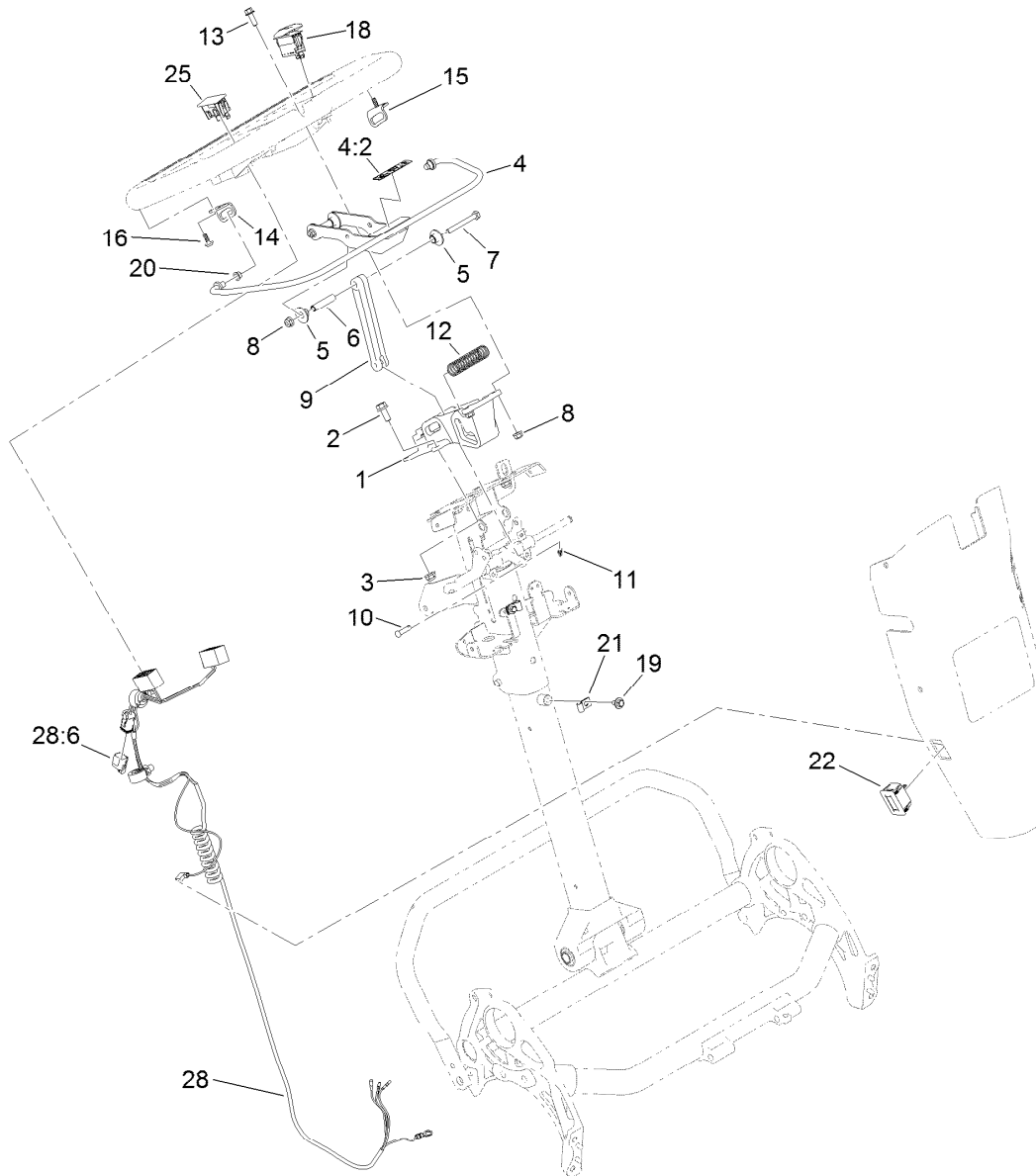
Upper Receiver Assembly No. 147-2288

<i>Ref.</i>	<i>Part Number</i>	<i>Qty.</i>	<i>Description</i>
1	147-2284-0P	1	Receiver-Upper
2	147-2269	1	Cam-Handle, Pivot
3	119-4040	1	Nut-HF, NI
4	283-61	1	Pin-Yoke
5	116-6639	1	Pin-Cotter, Locking
6	1-808285	1	Pin-Clevis
7	140-9312	1	Pin-Cotter, Locking



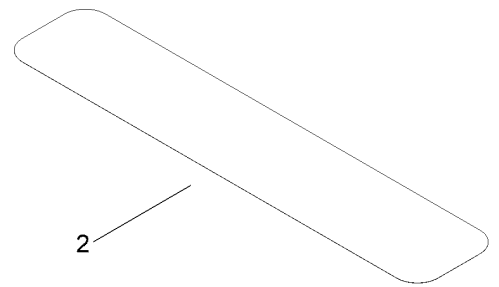
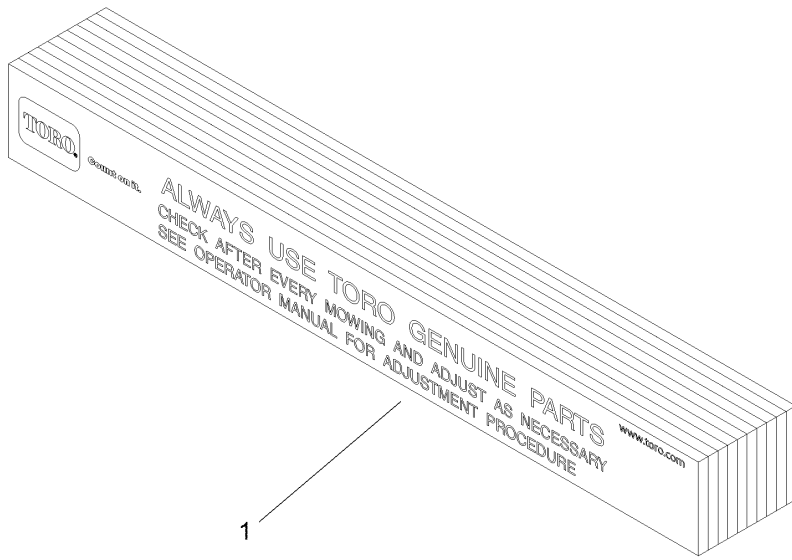
Upper Handle Assembly

Ref.	Part Number	Qty.	Description	Ref.	Part Number	Qty.	Description
1	140-9318	1	Cable ASM, Brake	21	140-9335	1	Spacer-Spring
2	137-0182	1	Cable-Throttle	23	138-1514	2	Bushing-Flange
3	321-15	1	Screw-HH	24	138-1573	1	Latch-Brake
4	104-7201	1	Nut-HF, NI	25	1-808285	1	Pin-Clevis
7	147-2269	1	Cam-Handle, Pivot	27	140-3377	1	Lever-Lock, Brake
8	138-1645	1	Handle ASM	28	32121-73	1	Pin-Roll
8:2	138-5532	1	Decal-Warning, General	29	140-9298	1	Lever-Brake
9	120-4654	2	Screw-HHF	30	138-5538	2	Bushing-Flange
10	119-4040	4	Nut-HF, NI	31	283-6	1	Pin-Clevis
11	138-3538	2	Bushing-Flange	32	138-1518	1	Spring-Brake, Torsion
12	138-1636	1	Arm-Throttle	33	132-6777	1	Screw-Twh Thd Roll
13	138-5527	1	Screw-HHF	34	120-9695	1	Nut-Jam
15	140-9317	1	Screw-HHF,Lock	35	138-1535	1	Handle-Assist, Lift
16	139-4303	1	Throttle Lever ASM	36	140-9334	1	Spring-Handle, Torsion
16:2	138-5534	1	Decal-Throttle	41	138-5530-03	1	Cover-Bottom, Controls
17	100-4852	1	Washer-Hardened	42	46-6810	3	Screw And Washer ASM
18	138-5514	1	Plate-Notepad, Handle	43	115-5142	2	Screw-HHF, Patch
19	127-6843	4	Screw-Plastite, Torx Pan	44	116-6639	1	Pin-Cotter, Locking
20	137-0317	1	Handle Adjuster ASM	45	140-9312	1	Pin-Cotter, Locking
20:2	137-0308	2	Bushing-Igus	46	139-1323	2	Washer-Spcl



Traction Bail Assembly

<i>Ref.</i>	<i>Part Number</i>	<i>Qty.</i>	<i>Description</i>	<i>Ref.</i>	<i>Part Number</i>	<i>Qty.</i>	<i>Description</i>
1	138-5524	1	Mount-Handle	13	120-9678	2	Screw-HHF
2	3234-47	2	Screw-HHF	14	138-3539	1	Bracket-Bail, RH
3	119-4041	2	Nut-HF	15	138-3540	1	Bracket-Bail, LH
4	139-4302	1	Clutch Bail ASM	16	138-5775	2	Screw-Delta Point
4:2	138-5533	1	Decal-Bail, Traction	18	122-1497	1	Switch-Rocker, On-None-Off
5	138-3466	4	Bushing-Flange	19	46-6810	2	Screw And Washer ASM
6	138-3465	2	Spacer-Tube	20	138-5538	2	Bushing-Flange
7	321-18	2	Screw-HH	21	2412-91	2	Clamp
8	119-4040	4	Nut-HF, NI	22	119-1347	1	Meter-Hour
9	138-5515	1	Link-Bail, Clutch	25	119-7791	1	Plug-Hole
10	353-322	1	Pin-Clevis	28	122-1416	1	Harness-Wire
11	138-1587	1	Clip-Pin, Cotter	28:6	32180-091	1	Cap-Dust, 2 Way
12	138-3468	1	Spring-Compression				



Miscellaneous Parts Assembly

<i>Ref.</i>	<i>Part Number</i>	<i>Qty.</i>	<i>Description</i>
1	125-5610	1	Paper-Reel, Toro (10 Pack)
2	140-5531	1	Shim-Toro Reel (.002In)

Attachments and Accessories

For 04820 — Greensmaster 1018 Mower

Product Name	Model/Part
Wheel Kit	04123
Light Kit (2019+)	04135
Push Broom Kit, Walk Greensmower (2019+)	04136
CU Light Kit Mount.....	04138
Wheel Loading Kit, TP200	04219
Rail Loading Kit, TP200	04229
Trans Pro 80 Tow-Behind Trailer.....	04238
Trans Pro 200	04239
Flat Ramp	04245
Rail Ramp Kit (Update).....	04247
Turf Evaluator	04399
14-Blade 18in Fixed EDGESERIES Cutting Unit	04824
18in Rail Conversion Kit.....	110-7345
Paint-Black Bottle	112-0176
Paint-Red Bottle	112-0178
Premium Engine Oil 10w30 (55 Gallon Drum)	121-6392
Premium Engine Oil 10w30 (5 Gallon Pail)	121-6393
Toro Reel Paper (10 Pack).....	125-5610
Grease-Synthetic.....	136-8595
Rail Ramp Kit TP100	138-5011
Wireless Hour Meter Kit.....	139-4369
Rod Replacement Kit, Greensmaster 1018 Series Traction Unit with Trans Pro 100 Tow-Behind Trailer	139-6470
Retention Straps Kit.....	139-6477
Shim-TORO Reel (.002in)	140-5531
Toro Red 12oz Aerosol Can	361-10
Semi-Gloss Black Spray Paint.....	361-9
Height-of-Cut Bar.....	94-9010

Notes:

Notes:



Count on it.