



**Count on it.**

**Parts Catalog**

**TimeCutter® Max 50in Zero Turn  
Riding Mower**

Model No. 77501—Serial No. 420787490 and Up



# Ordering Replacement Parts

To order replacement parts, please supply the part number, the quantity, and the description of each part desired.

## Understanding Reference Numbers

Each identified part in an illustration has a reference number. The reference number for a part also appears in the parts list, along with other information about the part.

This catalog uses two special reference number formats, one to indicate parts in a service assembly and another to indicate the quantity of a given part in an illustration.

## Service Assembly Reference Numbers

Parts in service assemblies have reference numbers in the form a:b. The a represents the reference number of the entire service assembly and the b represents a sequential number unique to each part within the service assembly.

For example, a wheel assembly might be identified by reference number 6, the tire by 6:1, the valve by 6:2, and the wheel by 6:3. When you order the assembly identified by reference number 6, you receive all parts identified by reference numbers 6:1, 6:2, and 6:3. However, you may also order any part individually. Reference numbers of this type appear in illustration and in parts lists.

## Reference Numbers Indicating Quantity

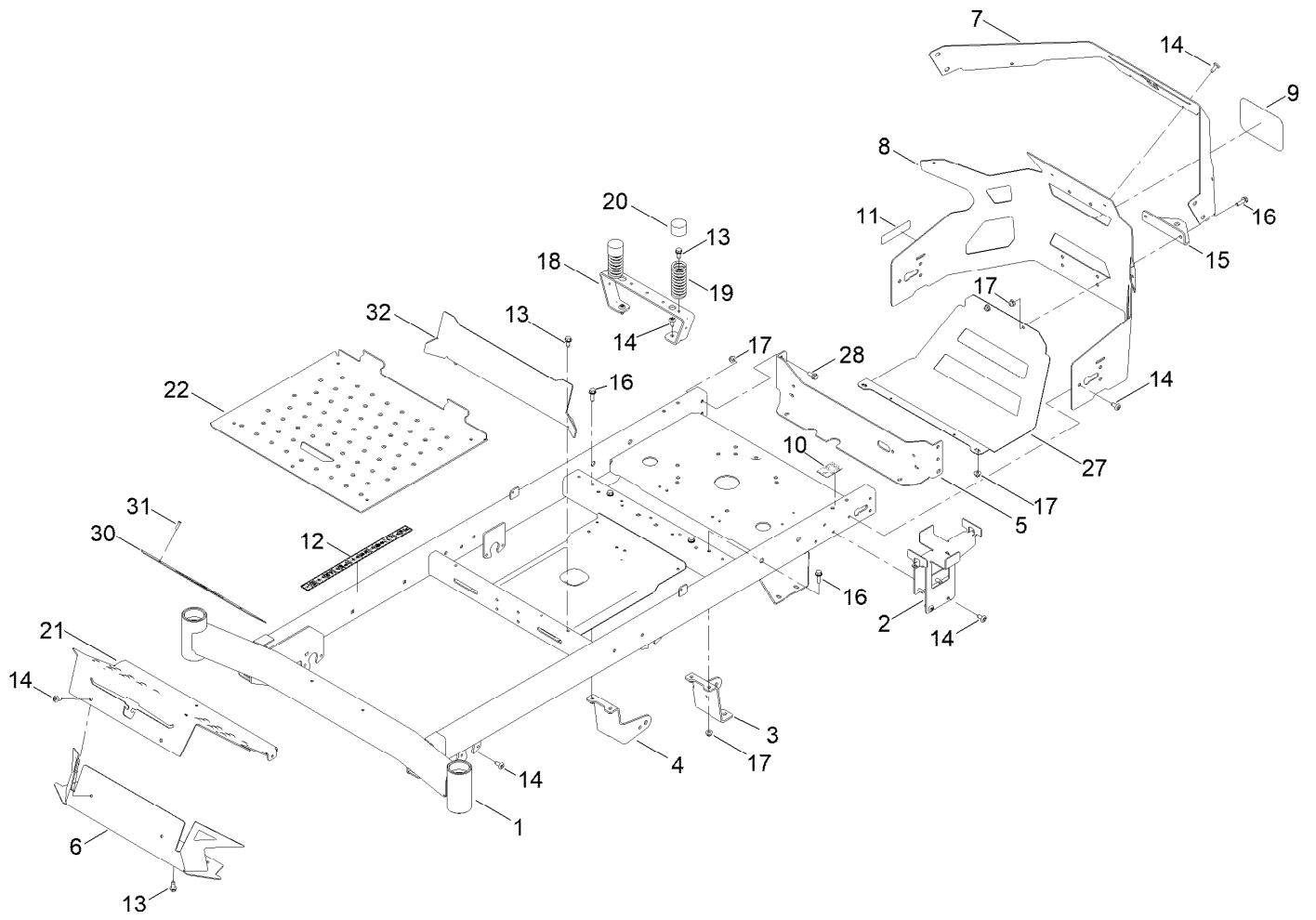
In an illustration, if a reference number indicates more than one part, the reference number has the form nX y. The n represents the quantity of the part, the X is the multiplication symbol, and the y represents the reference number.

For example, in an illustration, the reference number 2X 37 means that two of the parts identified by reference number 37 are indicated.

# Contents

Frame Assembly	4
Deck Lift Assembly	6
Caster Fork and Wheel Assembly	8
Wheel Assembly No. 145-4692	10
Traction Drive Assembly	12
LH Transaxle Assembly No. 139-7470	14
RH Transaxle Assembly No. 139-7471	16
Brake Assembly	18
Tire Assembly	20
Seat Pan Assembly	22
Motion Control Assembly	24
Engine and Muffler Assembly	26
Fuel System Assembly	28
Fuel Tank Assembly No. 161-6588	30
Electrical Assembly	32
Main Wire Harness Assembly No. 145-6382	34
50 Inch Deck and Decal Assembly	36
Model Specific Assembly	38
Clutch Assembly	40
Attachments and Accessories	42

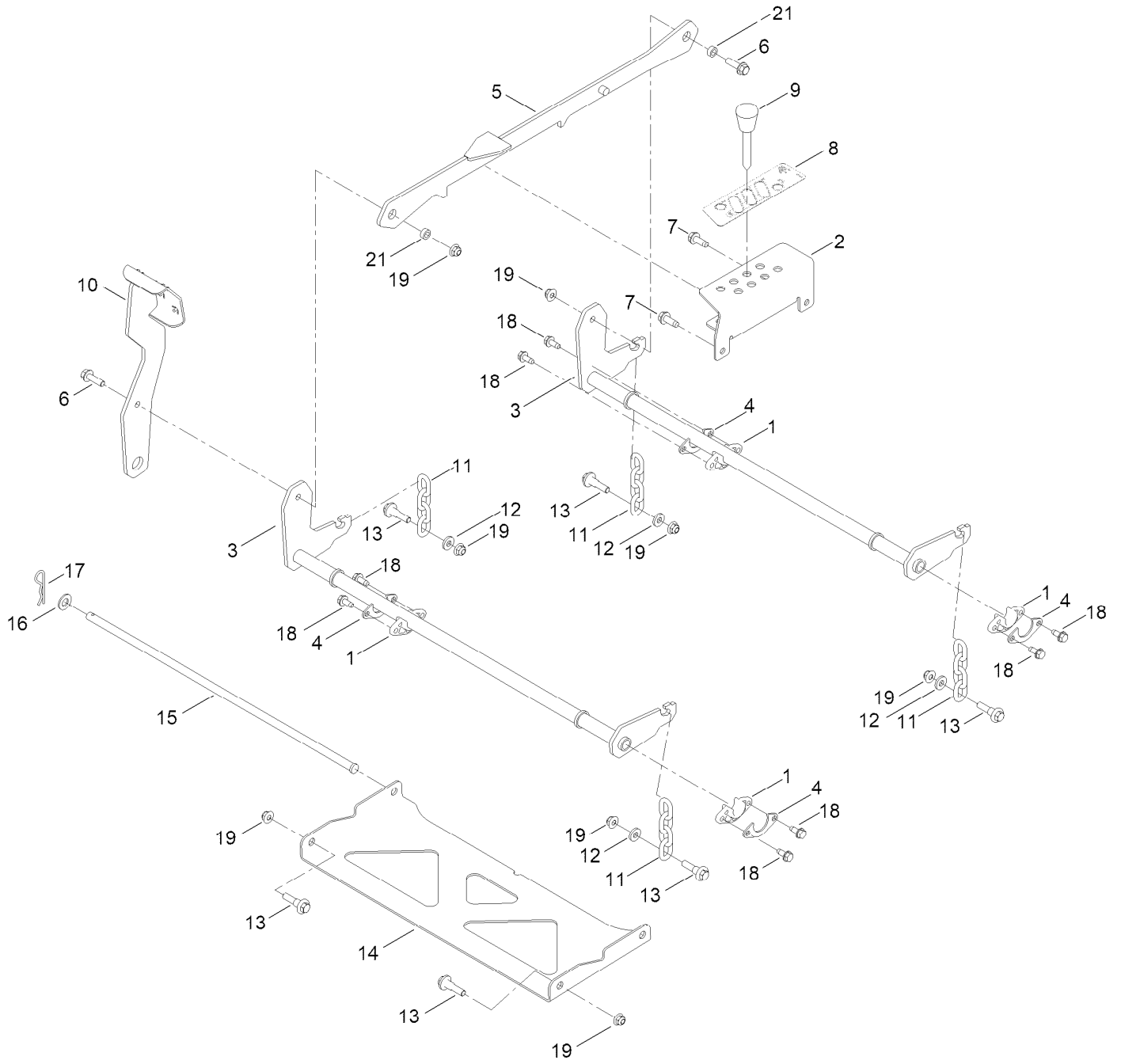
# Frame Assembly



## Frame Assembly (continued)

<i>Ref.</i>	<i>Part Number</i>	<i>Qty.</i>	<i>Description</i>	<i>Ref.</i>	<i>Part Number</i>	<i>Qty.</i>	<i>Description</i>
1	163-7978	1	Service ASM-Frame	15	117-1232-03	1	Bracket-Hitch
2	163-6020-01	1	Tray-Battery	16	139-2596	6	Screw-HHF
3	161-6506-01	1	Mount-Drive, LH	17	119-4041	12	Nut-HF
4	161-6507-01	1	Mount-Drive, RH	18	145-6315-03	1	Support-Seat
5	163-3137-03	1	Plate-Mount, Rear	19	138-2548	2	Spring-Compression
6	147-2966-03	1	Footrest-Top	20	701178	2	Cap-Protector
7	147-2995-01	1	Plate-Rear Cladding Tc	21	145-6368-01	1	Plate-Kick
8	147-2994-03	1	Guard-Engine Tc	22	145-6370-01	1	Pan-Floor
9	99-4693	1	Decal	27	163-6002-03	1	Guard-Muffler [black]
10	161-6207	1	Decal-Bypass	28	139-2598	4	Screw-HHF
11	142-5864	1	Decal-Spark Arrester	30	147-8716-05	1	Plate- Toeboard
12	144-5288	1	Decal-Warning	31	130-8451	2	Rivet-Trifold
13	32144-70	6	Screw-HWHTF	32	147-5170-03	1	Plate-Kick
14	138-9753	20	Screw				

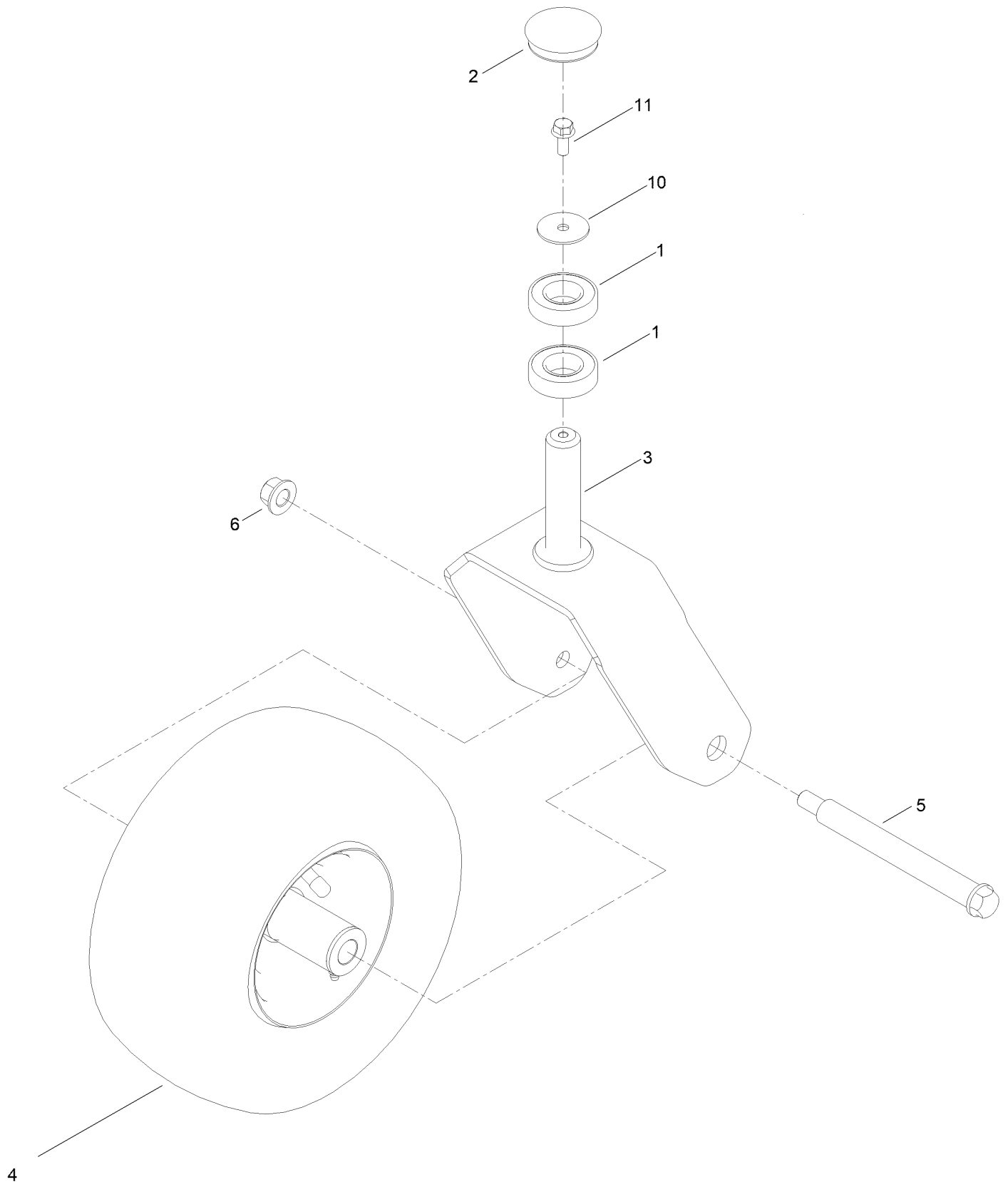
# Deck Lift Assembly



## Deck Lift Assembly (continued)

<i>Ref.</i>	<i>Part Number</i>	<i>Qty.</i>	<i>Description</i>	<i>Ref.</i>	<i>Part Number</i>	<i>Qty.</i>	<i>Description</i>
1	139-5872	4	Bearing-Flange	11	138-7205	4	Chain-Decklift, 4-Link
2	145-6257-01	1	Bracket-HOC	12	138-7207	4	Spacer-Hub, Blower
3	145-4645-01	2	Pivot ASM-Decklift [red]	13	130-0742	6	Bolt-Shoulder
4	138-7204	4	Gusset-Deck Lift	14	145-6248-03	1	Pan-Deck Pivot
5	145-0557-01	1	Link ASM-HOC [red]	15	145-6288	1	Pin-Deck
6	119-4061	2	Screw-HHF	16	139-2611	1	Washer-Flat
7	139-2428	2	Screw-HWH	17	139-2562	1	Pin-Hair
8	147-2866	1	Decal-HOC, Tc	18	32144-70	8	Screw-HWHTF
9	140-2146	1	HOC Pin ASM	19	119-4042	8	Nut-HF, NI
10	145-6278-01	1	Pedal ASM [red]	21	140-2093	2	Spacer

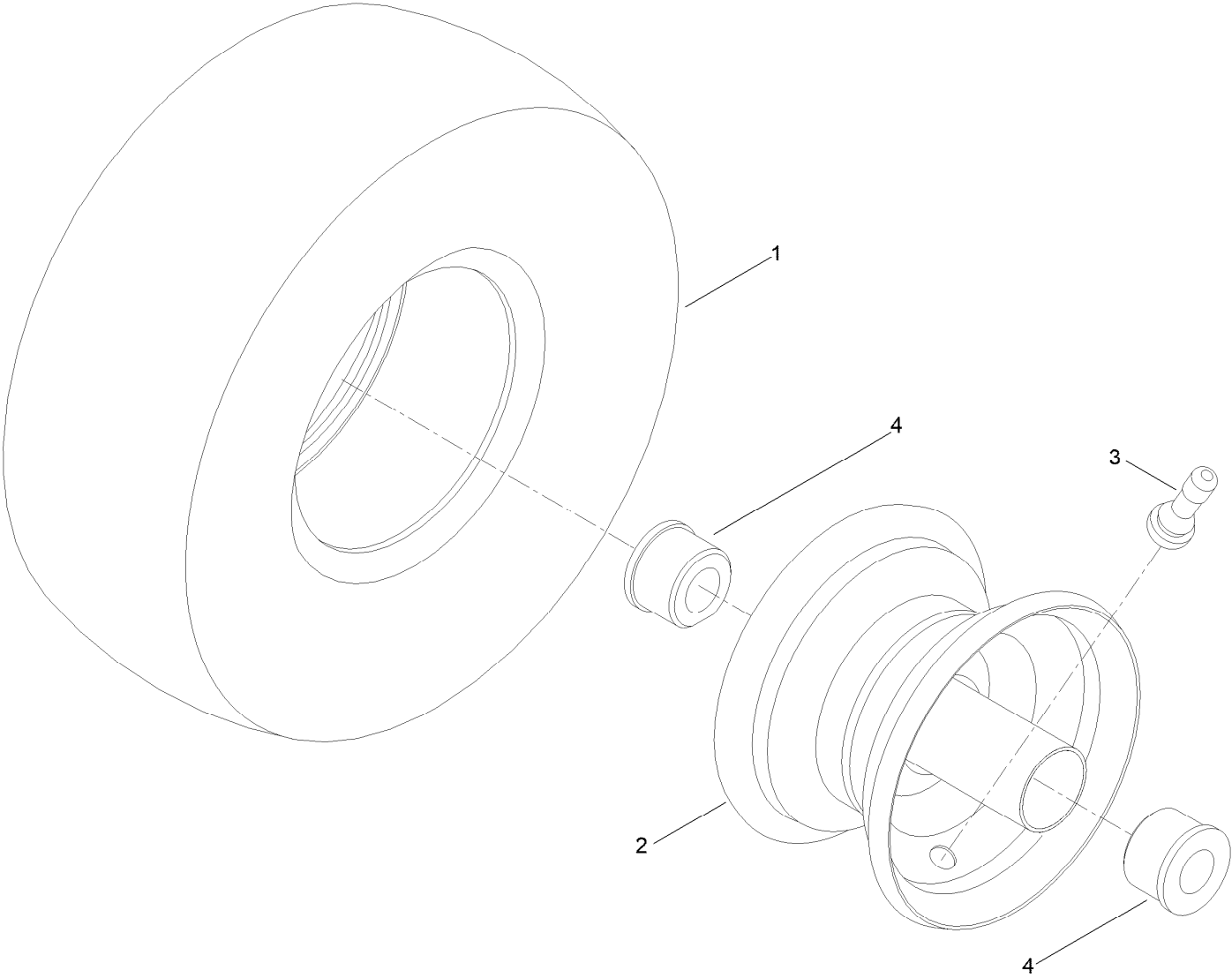
# Caster Fork and Wheel Assembly



## Caster Fork and Wheel Assembly (continued)

<i>Ref.</i>	<i>Part Number</i>	<i>Qty.</i>	<i>Description</i>	<i>Ref.</i>	<i>Part Number</i>	<i>Qty.</i>	<i>Description</i>
1	109-3678	4	Bearing-Ball	5	145-4649	2	Screw-Shoulder HHF
2	144-0375	2	Cap-Grease	6	139-1689	2	Nut-HF
3	145-4674-01	2	Fork	10	115-1151	2	Washer-Flat
4	145-4692	2	Wheel ASM - Caster 12X6-5	11	100-1668	2	Screw-HHF

# Wheel Assembly No. 145-4692

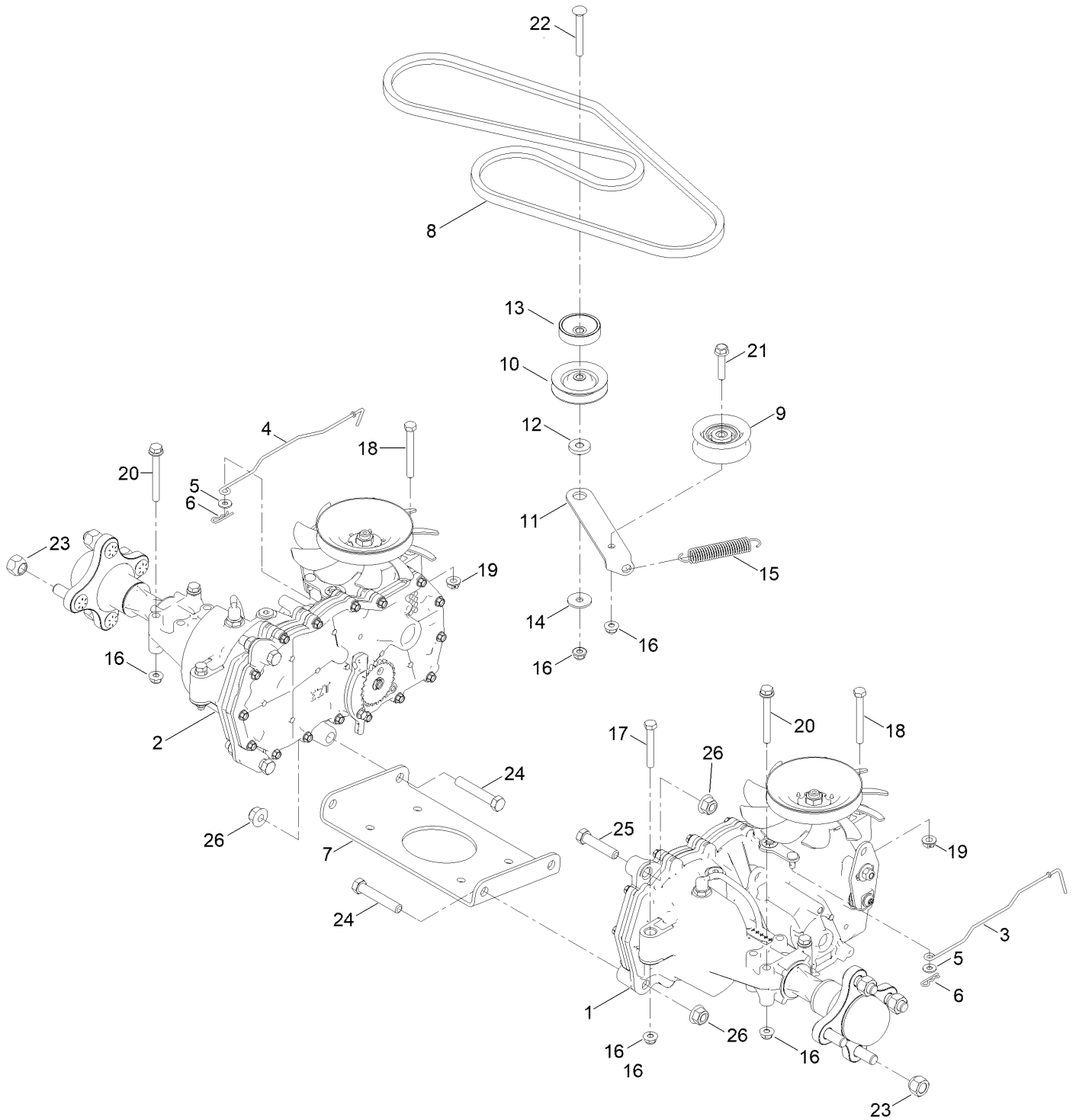


## Wheel Assembly No. 145-4692 (continued)

<i>Ref.</i>	<i>Part Number</i>	<i>Qty.</i>	<i>Description</i>
1	145-4672	1	Tire 12X6-5
2	145-4673	1	Wheel (W/ Zerk And Bushings)

<i>Ref.</i>	<i>Part Number</i>	<i>Qty.</i>	<i>Description</i>
3	232-27	1	Stem-Valve
4	114-1640	2	Bushing-Flange

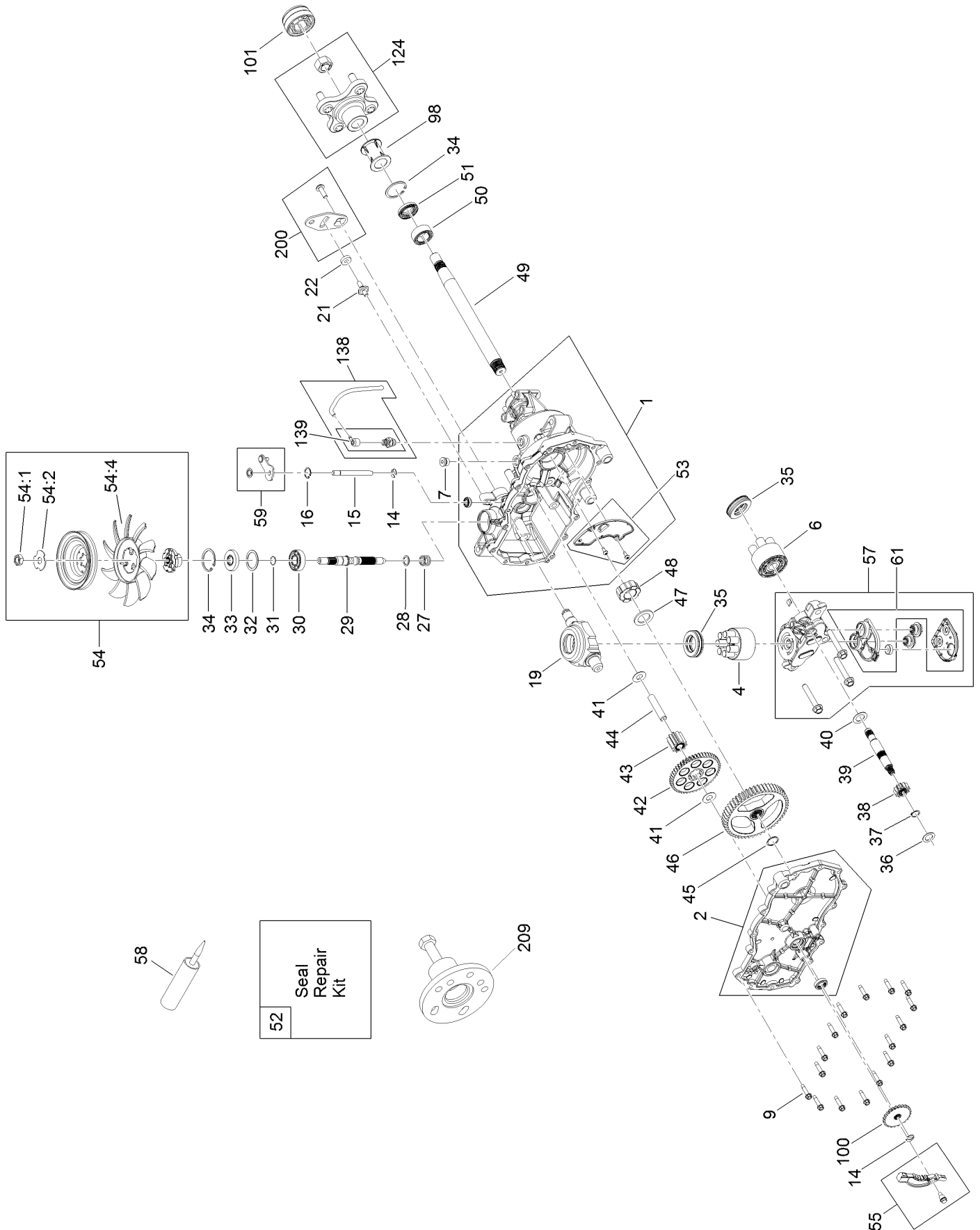
# Traction Drive Assembly



## Traction Drive Assembly (continued)

<i>Ref.</i>	<i>Part Number</i>	<i>Qty.</i>	<i>Description</i>	<i>Ref.</i>	<i>Part Number</i>	<i>Qty.</i>	<i>Description</i>
1	139-7470	1	LH Hydro Transaxle ASM	14	5-4460	1	Washer-Pivot
2	139-7471	1	RH Hydro Transaxle ASM	15	137-7040	1	Spring-Return, Pedal
3	147-2988	1	Rod-Bypass, LH	16	119-4041	8	Nut-HF
4	147-2989	1	Rod-Bypass, RH	17	322-11	2	Screw-HH
5	119-8952	2	Washer-Spcl	18	145-6388	2	Screw-HH Spcl
6	3290-307	2	Pin-Cotter	19	139-2574	2	Nut-HF
7	145-6390-03	1	Plate-Cross Hydro	20	138-7590	4	Screw-HHF
8	145-6361	1	V-Belt (A Sec 63.8 EI)	21	115-1794	1	Screw-HHF
9	138-7597	1	Pulley-Idler, Flat	22	3230-8	1	Screw-CARR
10	68-0030	1	Idler	23	139-2564	8	Nut-Lug
11	147-2925	1	Arm-Idler	24	324-10	4	Screw-HH
12	138-7277	1	Spacer-Arm, Idler	25	324-8	2	Screw-HH
13	138-9809	1	Spacer	26	114-8417	6	Nut-HF, NI

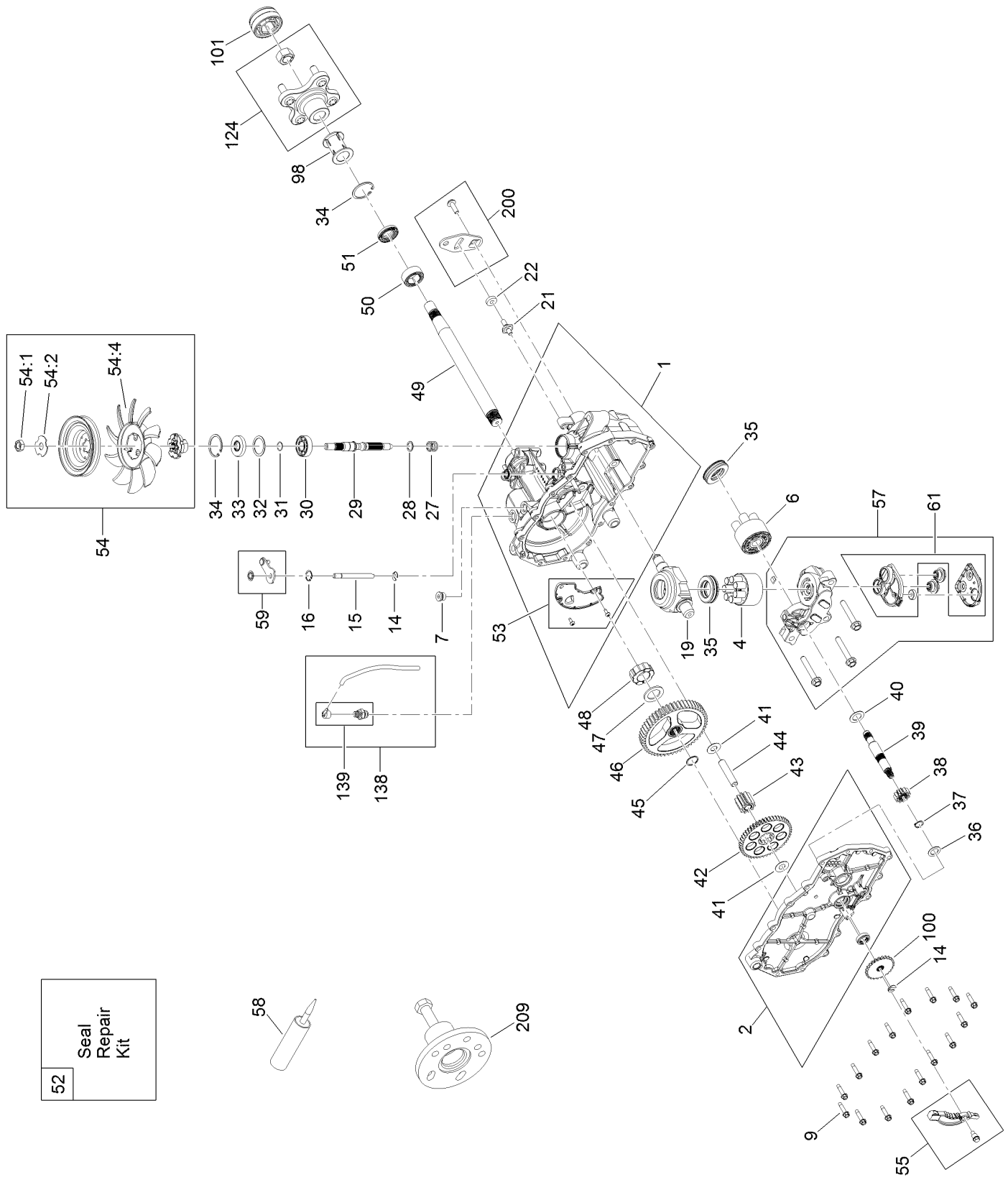
# LH Transaxle Assembly No. 139-7470



## LH Transaxle Assembly No. 139-7470 (continued)

<i>Ref.</i>	<i>Part Number</i>	<i>Qty.</i>	<i>Description</i>	<i>Ref.</i>	<i>Part Number</i>	<i>Qty.</i>	<i>Description</i>
1	106-8695	1	Main Housing ASM	41	94-1933	2	Washer
2	106-8696	1	Side ASM	42	132-0911	1	Gear-49T
4	110-8561	1	Pump Block ASM	43	104-5318	1	Gear-Jackshaft, 10T
6	103-2666	1	Cylinder Block Kit	44	104-5329	1	Pin-Jackshaft
7	104-2189	1	Plug-Thread, Straight	45	112-9854	1	Ring-Spiral, Retaining
9	117-5359	16	Screw-HHF	46	112-9855	1	Gear-52T, Bull
14	106-8677	2	Ring-Retaining, External	47	112-9856	1	Washer
15	106-8678	1	Rod-Bypass	48	112-9857	1	Bearing-Sleeve
16	106-8679	1	Ring-Retaining, Internal	49	120-7104	1	Shaft-Axle
19	104-5304	1	Swashplate-Trunnion	50	112-9859	1	Bushing-Axle
21	104-2116	1	Stud	51	112-9860	1	Seal-Lip
22	112-9853	1	Puck-Friction	52	106-8686	1	Seal Kit
27	94-1936	1	Spring-Block	53	106-8697	1	Expansion Plate Kit
28	94-1937	1	Washer-Thrust	54	135-7349	1	Fan And Pulley Kit
29	104-5306	1	Shaft-Input	55	106-8688	1	Brake Arm Kit
30	104-5311	1	Bearing-Ball	57	112-9861	1	Center Section Filter Kit
31	104-5307	1	Ring-Retaining	59	120-5549	1	Bypass Kit
32	104-5308	1	Spacer	61	114-1634	1	Filter Kit
33	104-5310	1	Seal-Lip	98	120-7109	1	Tube-Axle
34	104-5309	2	Ring-Retaining	100	106-8694	1	Disc-Brake, Cog
35	94-6922	2	Bearing-Thrust	101	115-5057	1	Cover-Nut, Axle
36	104-5339	1	Washer-Flat	124	109-5939	1	Hub Kit
37	104-5340	1	Ring-Retaining	138	112-9866	1	Breather Kit
38	132-0912	1	Gear-12T	139	114-1635	1	Breather ASM
39	106-8683	1	Shaft-Motor	200	117-5362	1	Control Arm Kit
40	104-5360	1	Washer	209	114-8467	1	Puller-Hub, 4 Bolt

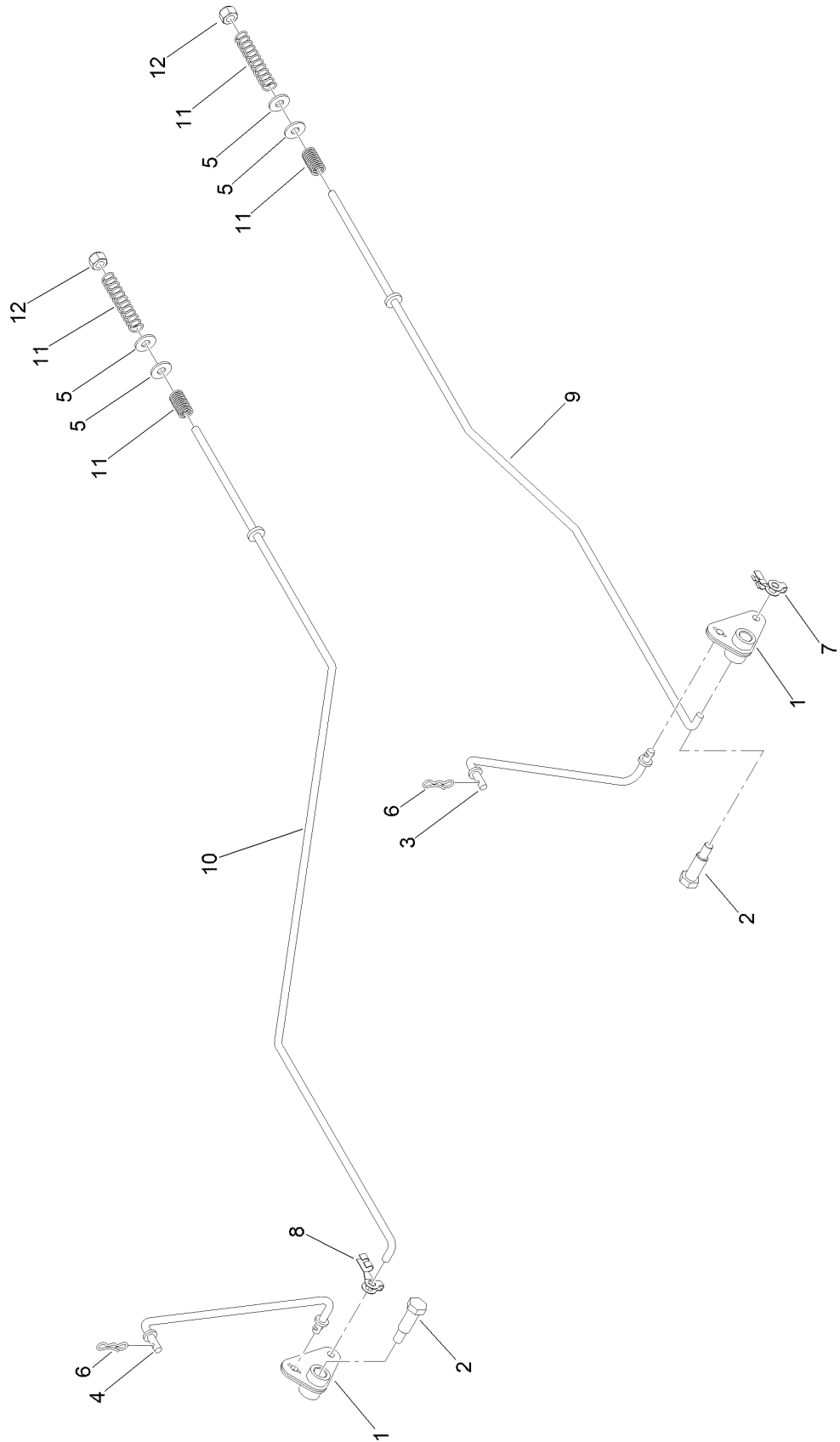
# RH Transaxle Assembly No. 139-7471



## RH Transaxle Assembly No. 139-7471 (continued)

<i>Ref.</i>	<i>Part Number</i>	<i>Qty.</i>	<i>Description</i>	<i>Ref.</i>	<i>Part Number</i>	<i>Qty.</i>	<i>Description</i>
1	106-8674	1	Main Housing ASM	41	94-1933	2	Washer
2	106-8675	1	Side ASM	42	132-0911	1	Gear-49T
4	110-8561	1	Pump Block ASM	43	104-5318	1	Gear-Jackshaft, 10T
6	103-2666	1	Cylinder Block Kit	44	104-5329	1	Pin-Jackshaft
7	104-2189	1	Plug-Thread, Straight	45	112-9854	1	Ring-Spiral, Retaining
9	117-5359	16	Screw-HHF	46	112-9855	1	Gear-52T, Bull
14	106-8677	2	Ring-Retaining, External	47	112-9856	1	Washer
15	106-8678	1	Rod-Bypass	48	112-9857	1	Bearing-Sleeve
16	106-8679	1	Ring-Retaining, Internal	49	120-7104	1	Shaft-Axle
19	104-5304	1	Swashplate-Trunnion	50	112-9859	1	Bushing-Axle
21	104-2116	1	Stud	51	112-9860	1	Seal-Lip
22	112-9853	1	Puck-Friction	52	106-8686	1	Seal Kit
27	94-1936	1	Spring-Block	53	106-8687	1	Expansion Plate Kit
28	94-1937	1	Washer-Thrust	54	135-7349	1	Fan And Pulley Kit
29	104-5306	1	Shaft-Input	55	106-8688	1	Brake Arm Kit
30	104-5311	1	Bearing-Ball	57	112-9862	1	Center Section Filter Kit
31	104-5307	1	Ring-Retaining	59	107-2489	1	Bypass Arm Kit
32	104-5308	1	Spacer	61	114-1634	1	Filter Kit
33	104-5310	1	Seal-Lip	98	120-7109	1	Tube-Axle
34	104-5309	2	Ring-Retaining	100	106-8694	1	Disc-Brake, Cog
35	94-6922	2	Bearing-Thrust	101	115-5057	1	Cover-Nut, Axle
36	104-5339	1	Washer-Flat	124	109-5939	1	Hub Kit
37	104-5340	1	Ring-Retaining	138	112-9866	1	Breather Kit
38	132-0912	1	Gear-12T	139	114-1635	1	Breather ASM
39	106-8683	1	Shaft-Motor	200	117-5362	1	Control Arm Kit
40	104-5360	1	Washer	209	114-8467	1	Puller-Hub, 4 Bolt

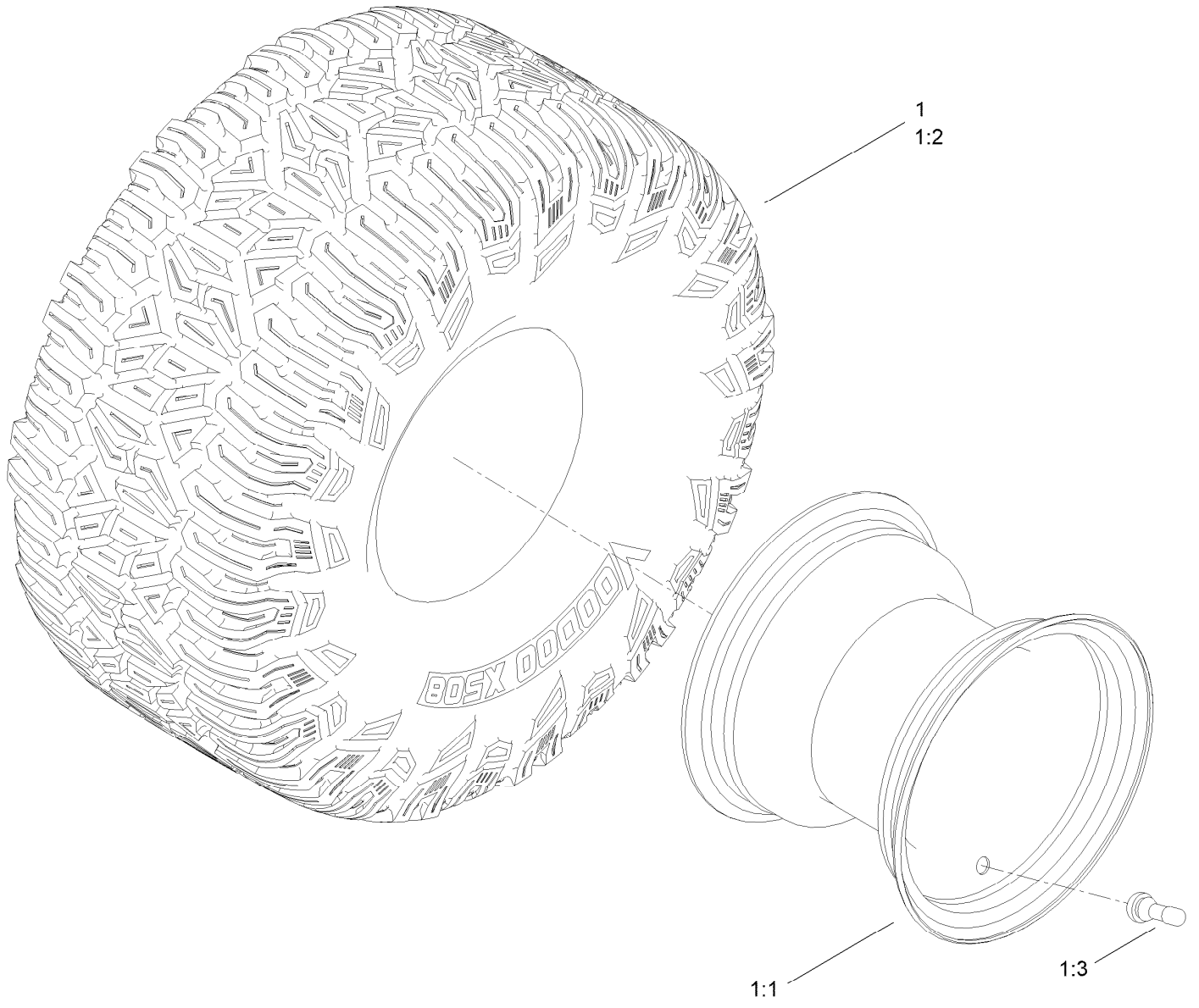
# Brake Assembly



## Brake Assembly (continued)

<i>Ref.</i>	<i>Part Number</i>	<i>Qty.</i>	<i>Description</i>	<i>Ref.</i>	<i>Part Number</i>	<i>Qty.</i>	<i>Description</i>
1	161-6420	2	Bellcrank	7	144-1816	1	Clip-Rod, LH (7L, 1/4In)
2	145-6364	2	Bolt-Shoulder	8	144-1815	1	Clip-Rod, RH (7R, 1/4In)
3	145-4607	1	Link-Brake, LH	9	144-1860	1	Rod-Brake, LH
4	145-6238	1	Link-Brake, RH	10	144-1851	1	Rod-Brake, RH
5	119-8952	4	Washer-Spcl	11	117-1169	4	Spring-Compression
6	119-1414	2	Pin-Cotter, Locking	12	3296-42	2	Nut-Lock, NI

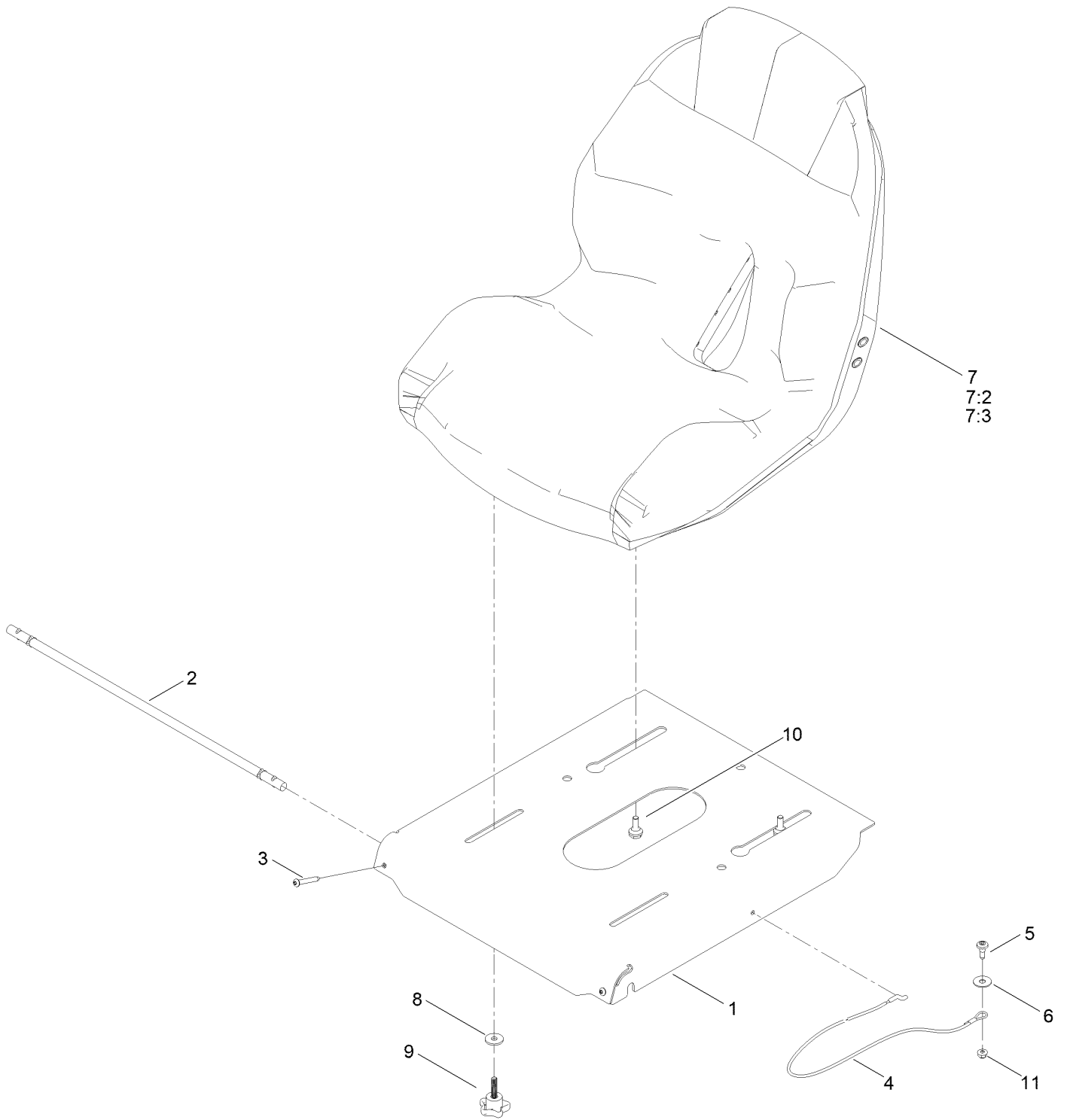
# Tire Assembly



## Tire Assembly (continued)

<i>Ref.</i>	<i>Part Number</i>	<i>Qty.</i>	<i>Description</i>	<i>Ref.</i>	<i>Part Number</i>	<i>Qty.</i>	<i>Description</i>
1	145-6391	2	Tire ASM	1:2	147-5179	1	Tire
1:1	147-5180	1	Rim	1:3	232-27	1	Stem-Valve

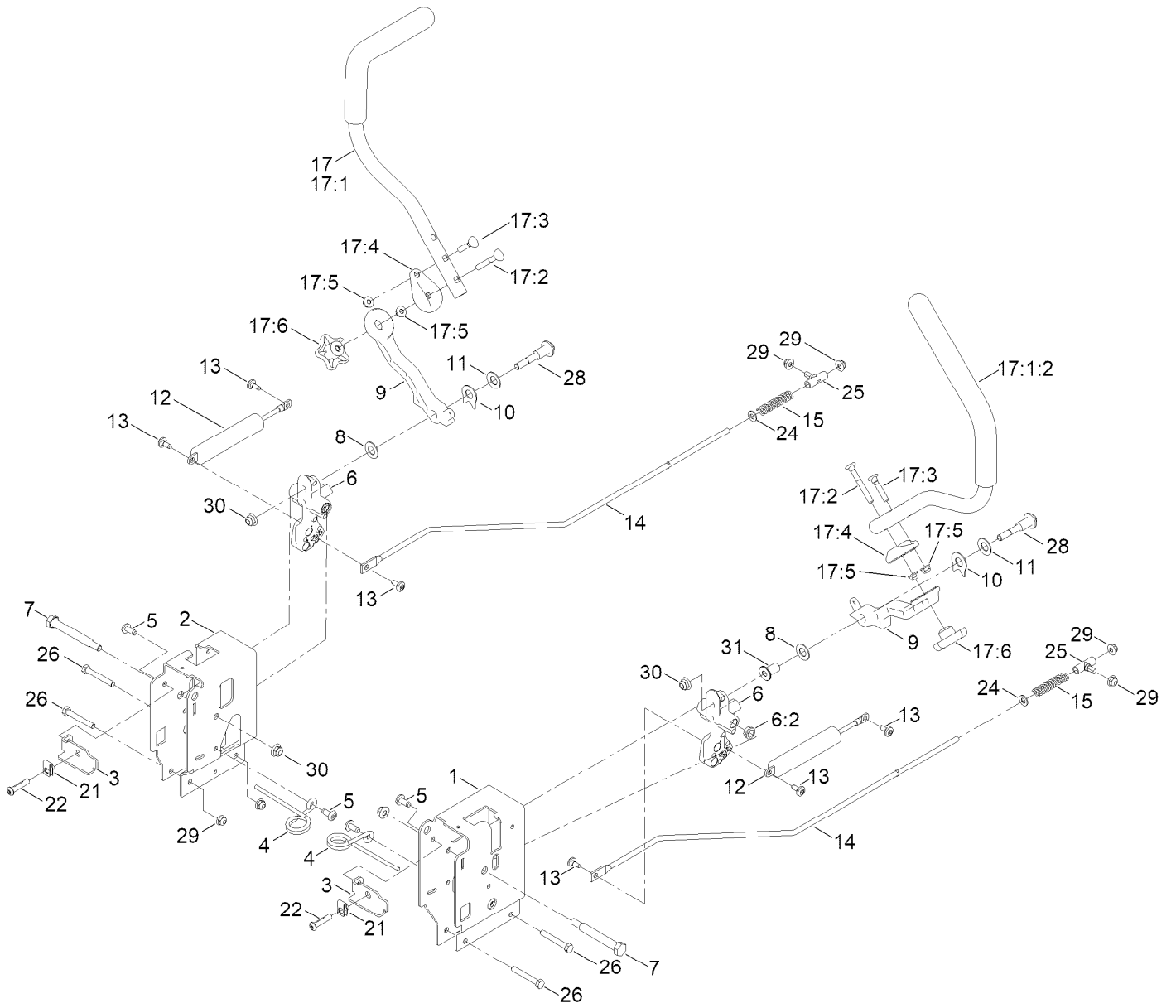
# Seat Pan Assembly



## Seat Pan Assembly (continued)

<i>Ref.</i>	<i>Part Number</i>	<i>Qty.</i>	<i>Description</i>	<i>Ref.</i>	<i>Part Number</i>	<i>Qty.</i>	<i>Description</i>
1	147-3002-03	1	Pan-Seat	7:2	147-8752	1	Cover-Seat
2	147-5169	1	Rod-Pivot	7:3	82-2190	1	Switch-Bail
3	147-5175	2	Screw-Tbh,Thd Roll	8	1-603716	2	Washer-Friction
4	161-4452	1	Cable-Lanyard, 26.75In	9	139-2401	2	Knob
5	135-2015	1	Screw-Shoulder	10	147-5174	2	Bolt-Shoulder,Hfh
6	147-5287	1	Washer-Flat	11	119-4040	1	Nut-HF, NI
7	147-8732	1	Seat ASM - Seat King Sk130				

# Motion Control Assembly

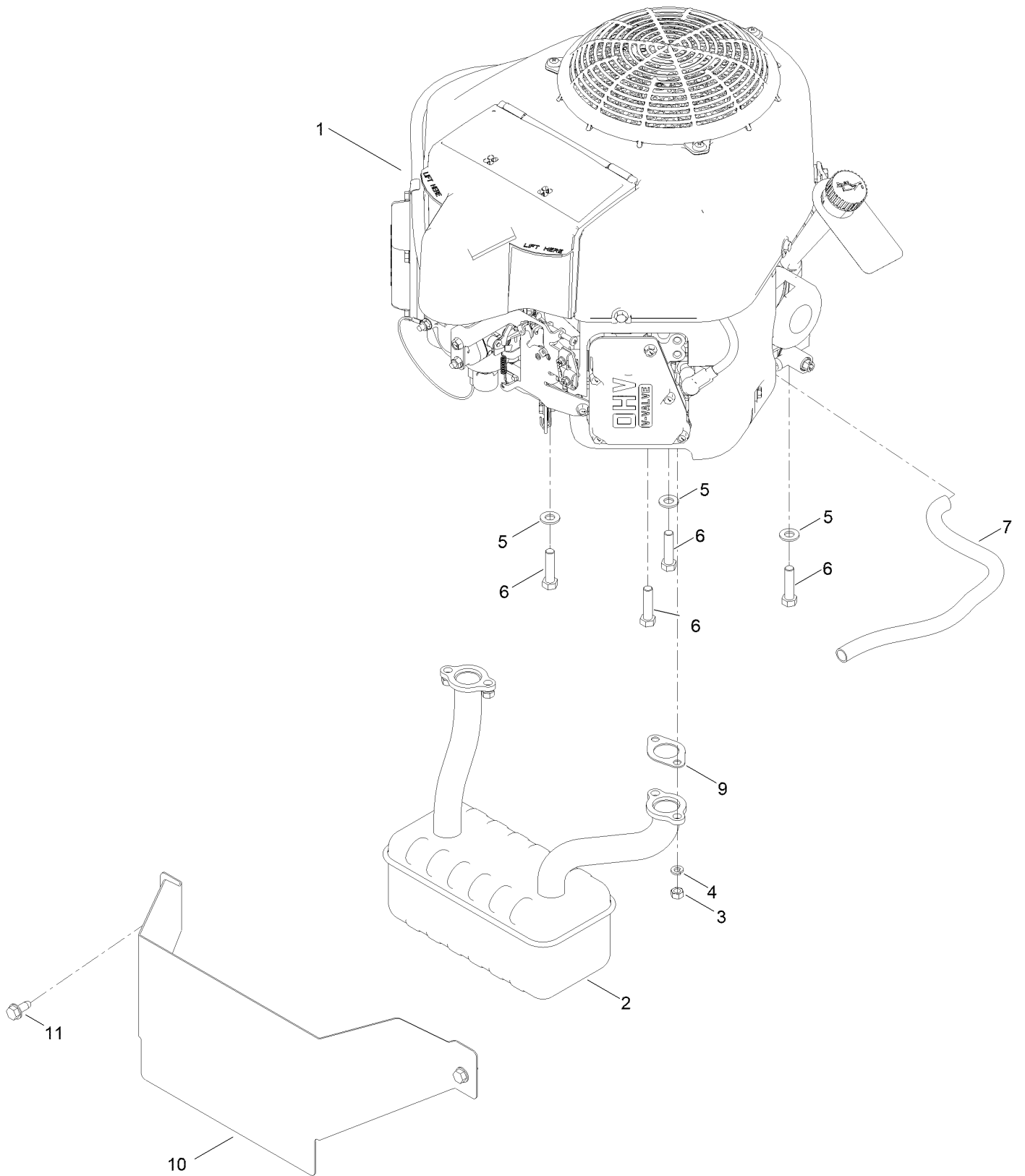


## Motion Control Assembly (continued)

<i>Ref.</i>	<i>Part Number</i>	<i>Qty.</i>	<i>Description</i>	<i>Ref.</i>	<i>Part Number</i>	<i>Qty.</i>	<i>Description</i>
1	163-5941-03	1	Control Box - LH	17:1		1	Handle-Control, ●
2	163-5942-03	1	Control Box - RH	17:1:2	147-3029	1	Grip
3	163-3189	2	Adjustment Plate-Control Box	17:2	145-6366	1	Screw-Handle
4	145-6253	2	Spring-Torsion	17:3	137-3008	1	Screw-Handle
5	138-9753	4	Screw	17:4	147-5192-05	1	Disc-Adjustment Handle, 32 Teeth
6	164-3311	2	Pivot Arm ASM	17:5	138-8401	2	Nut-HF
6:2	163-3186	2	Bushing-Flange	17:6	117-5976	1	Knob-Handle
7	115-5099	2	Bolt-Pivot	21	112-3306	2	Nut
8	163-7396	4	Washer-Friction	22	126-4299	2	Screw-HSBH
9	147-5191-05	2	Arm-Control, 32 Teeth	24	120-9683	2	Washer-Plain
10	142-8478	2	Spacer, Anti-Rotation	25	138-7218	2	Mount-Rod, Hydro
11	119-8925	2	Washer-Belleville	26	322-11	4	Screw-HH
12	161-6514	2	Damper - Non Cavitating	28	133-9682	2	Screw-Hfh
13	120-7950	6	Screw-Torx	29	119-4041	8	Nut-HF
14	145-4699	2	Rod - Hydro, LH	30	119-4042	4	Nut-HF, NI
15	138-7252	2	Spring-Compression	31	163-2335	2	Spacer-Pivot
17	161-6523	2	Handle-Control, ASM				

● Not serviced separately

# Engine and Muffler Assembly



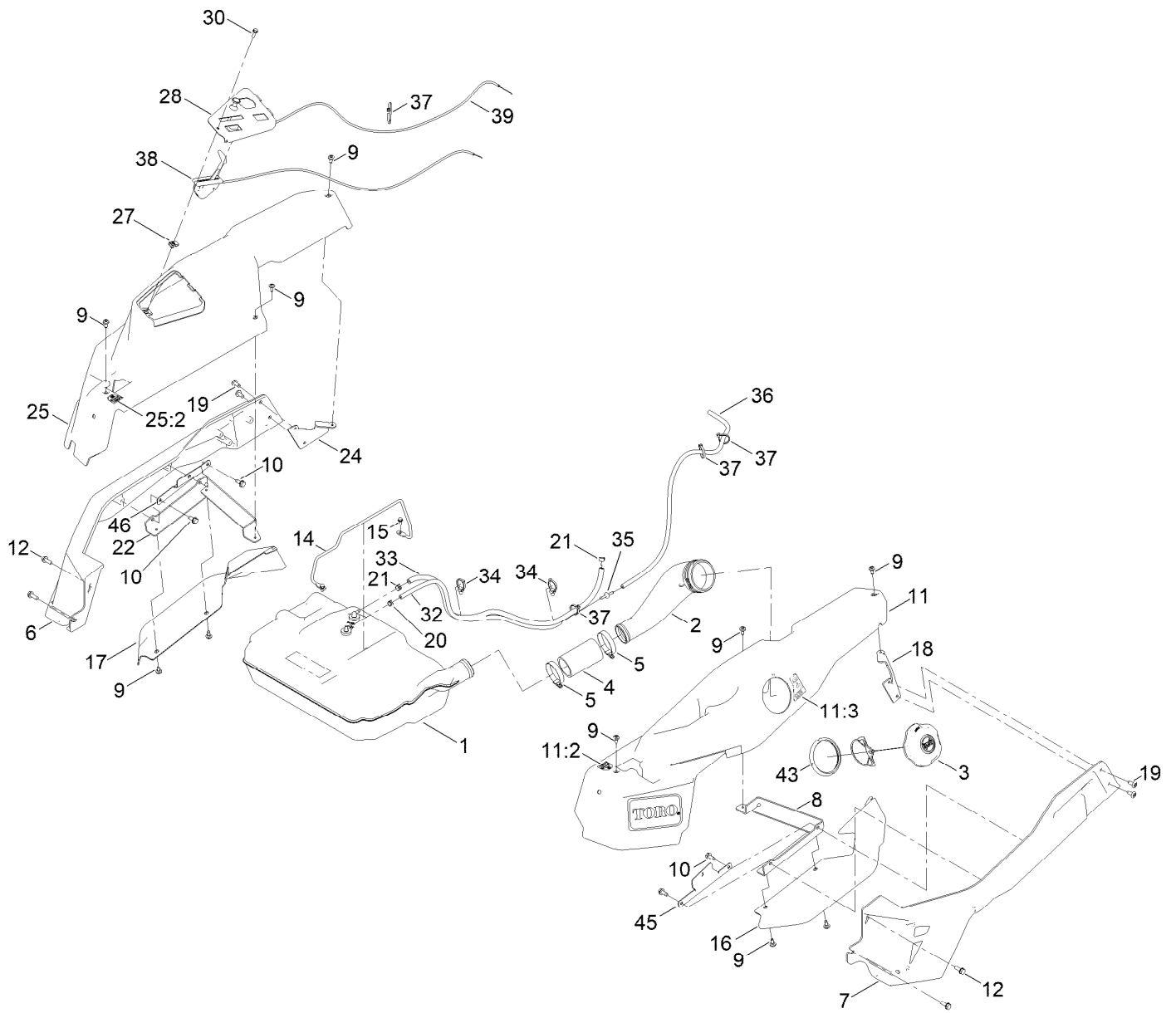
## Engine and Muffler Assembly (continued)

<i>Ref.</i>	<i>Part Number</i>	<i>Qty.</i>	<i>Description</i>	<i>Ref.</i>	<i>Part Number</i>	<i>Qty.</i>	<i>Description</i>
1		1	Engine-Kawasaki, Fr691V-_s07-R ●■	6	323-50	4	Bolt-HH
2	139-5867	1	Muffler	7	106-7022	1	Tube-Drain, Oil
3	114-3549	4	Nut	9	1-653313	2	Gasket-Exhaust
4	114-3550	4	Washer-Lock	10	161-6649-03	1	Heat Shield - Muffler
5	3256-24	3	Washer-Plain	11	32144-70	2	Screw-HWHTF

● Not serviced separately

■ Obtain parts from [www.kawpower.com](http://www.kawpower.com)

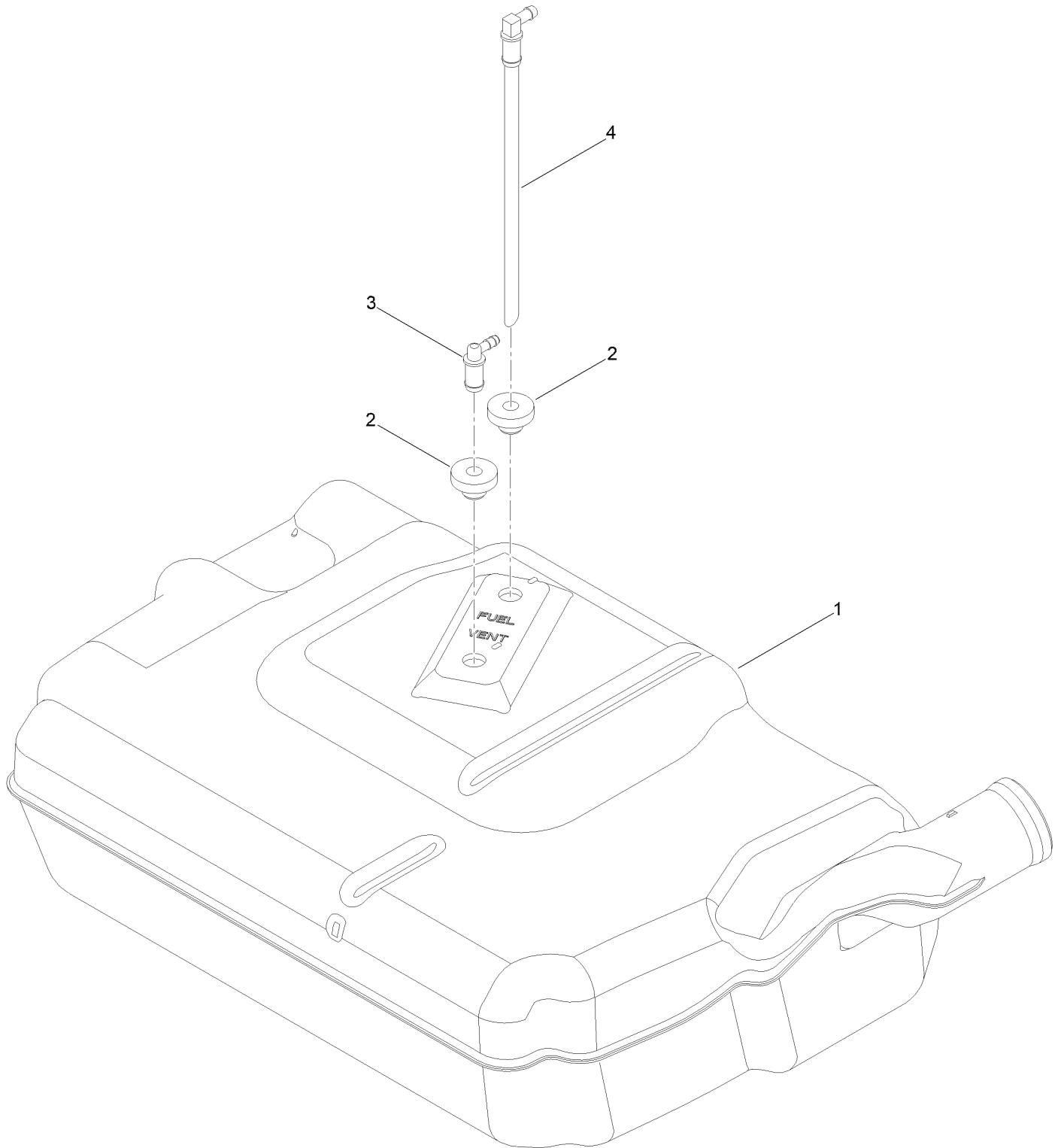
# Fuel System Assembly



## Fuel System Assembly (continued)

<i>Ref.</i>	<i>Part Number</i>	<i>Qty.</i>	<i>Description</i>	<i>Ref.</i>	<i>Part Number</i>	<i>Qty.</i>	<i>Description</i>
1	161-6588	1	Fuel Tank ASM	20	2412-80	1	Clamp-Hose
2	147-2852	1	Neck-Filler, Fuel	21	2412-98	2	Clamp-Hose
3	163-5914	1	Cap Fuel, Ratcheting	22	147-2975-03	1	Mount-Pod Bracket RH
4	145-4698	1	Hose-Filler, Fuel	24	147-2977-03	1	Mount-Pod Bracket RH
5	2412-130	2	Clamp-Hose	25	147-8742	1	Pod ASM - RH W/Decals
6	147-2973-01	1	Cast-Tube, RH	25:2	139-2394	1	Decal-Control Lever, RH
7	147-2972-01	1	Cast-Tube, LH	27	107069	1	Clip
8	147-2974-03	1	Mount-Pod Bracket LH	28	147-2990-03	1	Panel-Control
9	120-7950	10	Screw-Torx	30	32105-15	1	Screw-HWH
10	32144-70	4	Screw-HWHTF	32	140-4956	1	Hose-Fuel
11	147-8741	1	Pod ASM - LH W/Decals	33	109-1395	1	Hose-Fuel
11:2	139-2395	1	Decal-Control Lever, LH	34	32180-030	2	Clip-Tie
11:3	147-2399	1	Decal-Fuel Fill	35	144-1983	1	Adapter Orifice
12	32144-41	4	Screw-Taptite	36	140-4956	1	Hose-Fuel
14	147-5176	1	Rod-Hold Down	37	614249	4	Tie-Cable
15	32144-4	2	Screw-HWH	38	147-7695	1	Cable-Throttle
16	147-2978	1	Fender-Time Cutter, LH	39	139-2402	1	Cable-Choke
17	147-2979	1	Fender-Time Cutter, RH	43	147-7712	1	Ring-Retaining
18	147-2976-03	1	Bracket-Rear Pod, LH	45	161-4609-03	1	Bracket-Alignment, Pod LH
19	138-9753	4	Screw	46	161-4610-03	1	Bracket- Alignment, Pod RH

# Fuel Tank Assembly No. 161-6588

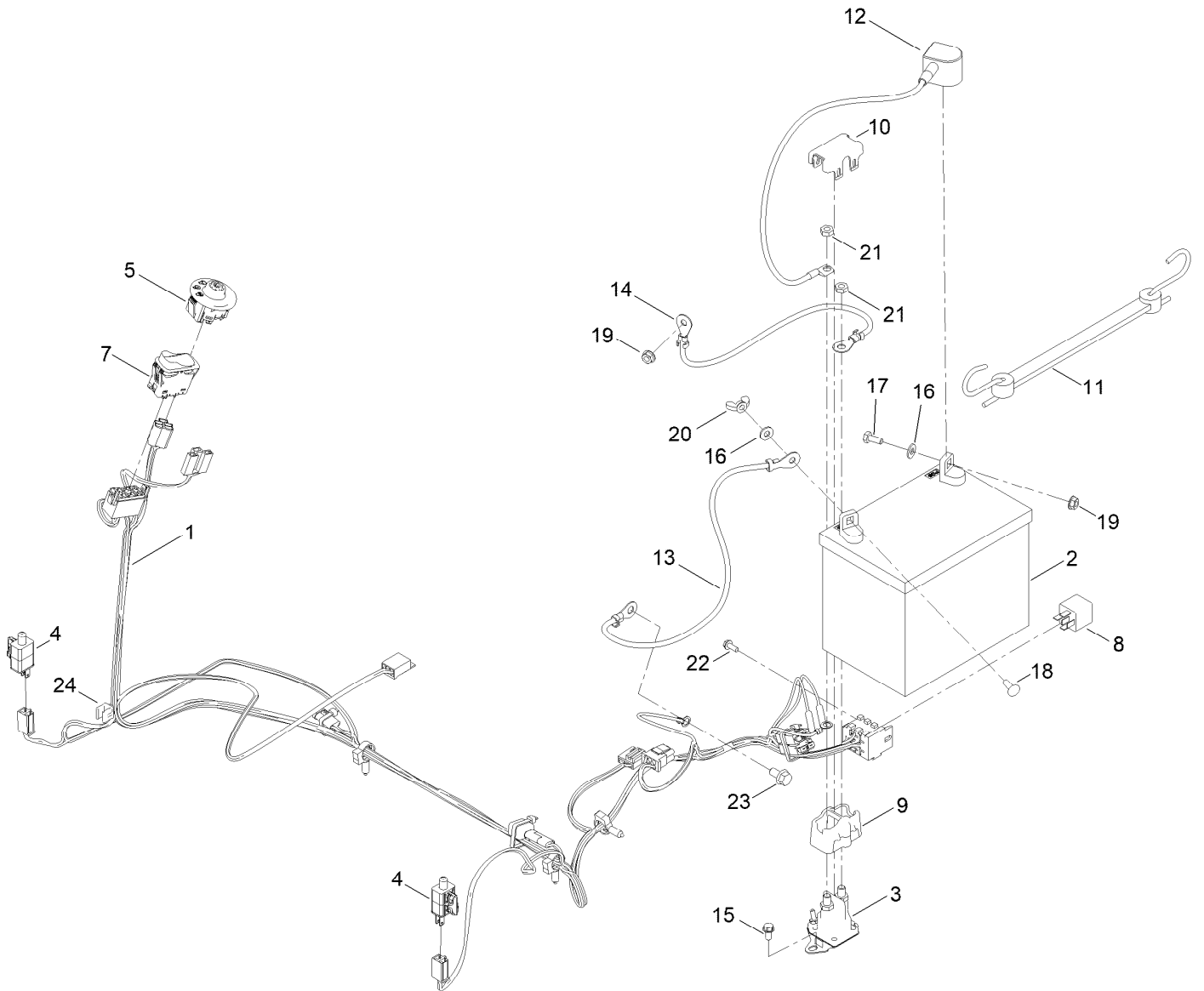


# Fuel Tank Assembly No. 161-6588 (continued)

<i>Ref.</i>	<i>Part Number</i>	<i>Qty.</i>	<i>Description</i>	<i>Ref.</i>	<i>Part Number</i>	<i>Qty.</i>	<i>Description</i>
1		1	Tank-Fuel ●	3	161-6609	1	Fitting-Elbow 90
2	46-6560	2	Bushing	4	147-2934	1	Fitting-Pickup, Fuel

● Not serviced separately

# Electrical Assembly



## Electrical Assembly (continued)

<i>Ref.</i>	<i>Part Number</i>	<i>Qty.</i>	<i>Description</i>	<i>Ref.</i>	<i>Part Number</i>	<i>Qty.</i>	<i>Description</i>
1	145-6382	1	Harness-Wire, Main	14	121-0711	1	Cable-Battery, Positive
2	140-2076	1	Battery - Wet	15	32144-4	2	Screw-HWH
3	117-1197	1	Solenoid	16	3256-22	2	Washer-Flat
4	110-6765	2	Switch	17	321-3	1	Screw-HH
5	137-4100	1	Switch-Ignition	18	3229-1	1	Screw-CARR
7	139-6368	1	Switch-Rocker, On-None-On	19	32128-33	2	Nut-HF
8	1-643275	1	Relay	20	32103-22	1	Nut-Wing
9	140-2080	1	Cover-Solenoid	21	3220-2	2	Nut-Hex Jam
10	140-2081	1	Cap-Solenoid	22	139-1713	1	Screw-Thd Roll
11	104-2466	1	Holddown-Battery	23	33104-016	1	Screw-HHF
12	147-2941	1	Cable-Battery,Red	24	32180-082	1	Clip-Edge W/Tie, Perpendicular
13	119-8899	1	Cable-Battery, Black				

# Main Wire Harness Assembly No. 145-6382

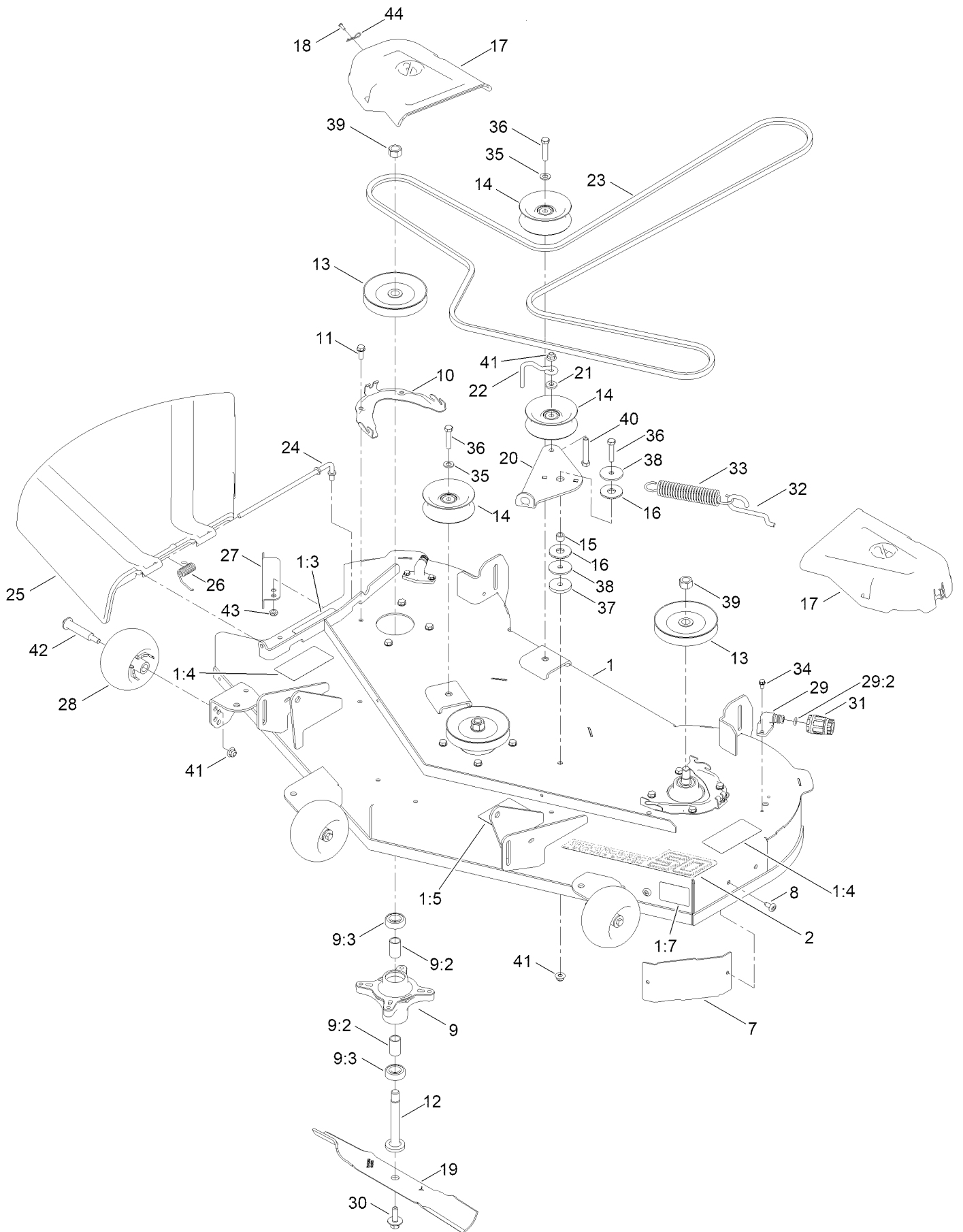


# Main Wire Harness Assembly No. 145-6382 (continued)

<i>Ref.</i>	<i>Part Number</i>	<i>Qty.</i>	<i>Description</i>
7	109355	1	Fuse-Blade, 15 Amp
8	109102	1	Fuse-Blade, 25 Amp
9	32160-029	1	Connector-Molded, 1F,1M

<i>Ref.</i>	<i>Part Number</i>	<i>Qty.</i>	<i>Description</i>
10	100-4918	1	Diode
11	32180-047	3	Clip-Tubing, Harness

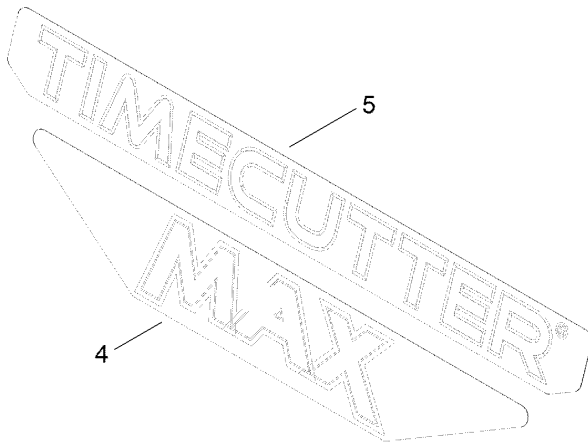
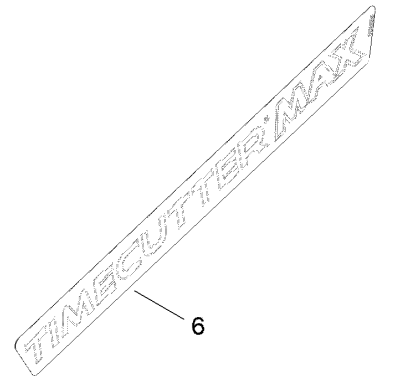
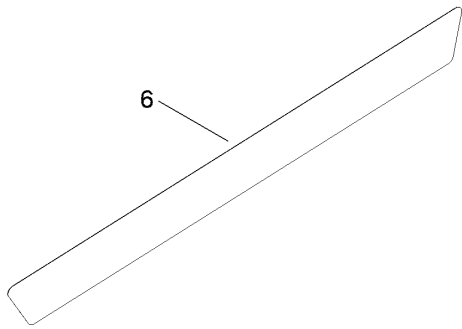
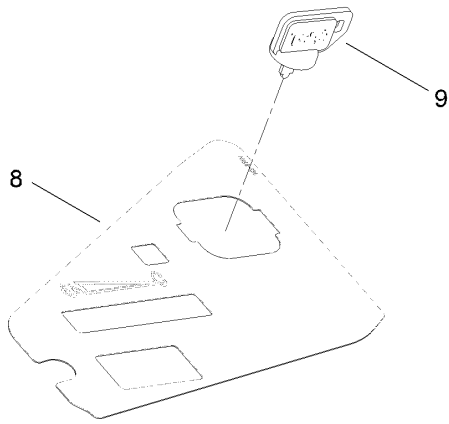
# 50 Inch Deck and Decal Assembly



## 50 Inch Deck and Decal Assembly (continued)

<i>Ref.</i>	<i>Part Number</i>	<i>Qty.</i>	<i>Description</i>	<i>Ref.</i>	<i>Part Number</i>	<i>Qty.</i>	<i>Description</i>
1	147-8745	1	50 In Deck & Decal ASM	23	147-2909	1	V Belt (A Sec 142.06 EI)
1:3	130-0731	1	Decal-Danger	24	137-2019	1	Rod-Pivot
1:4	132-0872	2	Decal-Danger, Deck	25	138-7502	1	Deflector-Discharge
1:5	99-3943	1	Decal-Routing, Belt	26	138-7268	1	Spring-Torsion
1:7	112-9840	1	Decal-Scalp, Anti	27	138-9800-03	1	Baffle-Cutoff
2	147-7643	1	Decal - Iron Forged 50	28	1-603299	3	Roller-Scalp, Anti
7	139-2448-03	1	Baffle-Corner	29	133-9289	2	Fitting-Washout
8	138-9753	2	Screw	29:2	133-9290	1	O-Ring
9	139-3214	3	Spindle ASM	30	145-0411	3	Bolt-Blade, Sems
9:2	120-7935	2	Spacer	31	95-3270	1	Connector-Hose
9:3	138-9770	2	Bearing-Ball	32	138-7266	1	Spring-Return, Hook
10	139-3272-03	2	Bracket-Cover, Belt	33	138-7264	1	Spring-Extension
11	32144-41	12	Screw-Taptite	34	32144-4	4	Screw-HWH
12	117-7268	3	Shaft-Spindle	35	3256-24	2	Washer-Plain
13	139-7454	3	Pulley	36	323-9	3	Screw-HH
14	132-9420	3	Pulley-Idler, Flat	37	110-9981	1	Washer-Plain
15	115-4986	1	Spacer	38	139-1726	2	Washer-Rebound
16	114-0463	2	Washer-Friction, Composite	39	3219-6	3	Nut-Hex
17	144-1906	2	Cover-Belt	40	323-11	1	Screw-HH
18	94-6961	2	Screw	41	119-4042	5	Nut-HF, NI
19	115-5059-03	3	Blade-Hi Lift	42	112-3977	3	Bolt-Shoulder
20	138-7262	1	Arm-Idler (Mty/Wdm)	43	3296-59	1	Nut-Lock, NI
21	138-7207	1	Spacer-Hub, Blower	44	144-1944	2	Pin-Hair
22	138-7270	1	Guide-Belt, Idler				

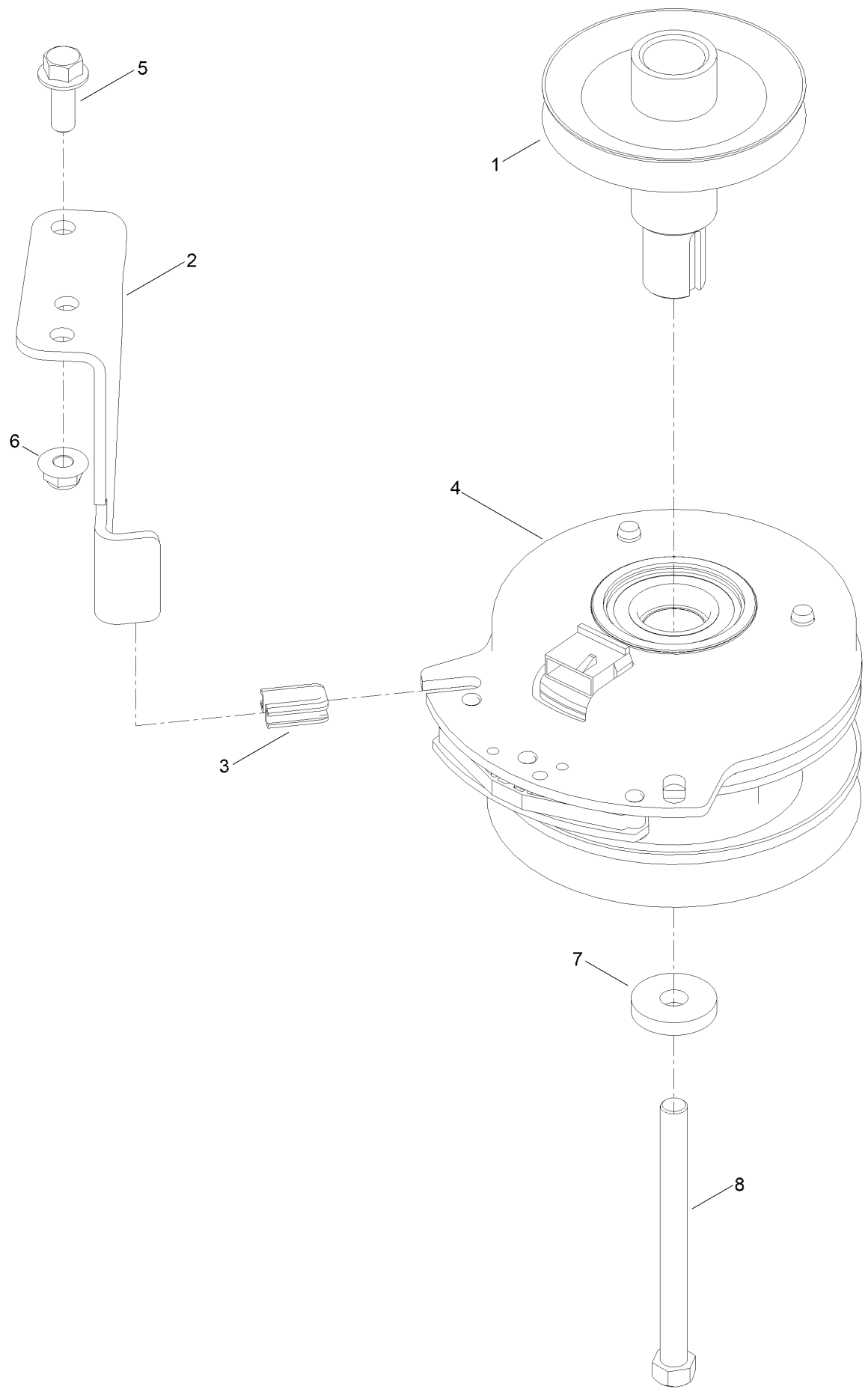
# Model Specific Assembly



## Model Specific Assembly (continued)

<i>Ref.</i>	<i>Part Number</i>	<i>Qty.</i>	<i>Description</i>	<i>Ref.</i>	<i>Part Number</i>	<i>Qty.</i>	<i>Description</i>
4	147-7573	1	Decal-Max	8	147-8753	1	Decal - Control Panel W/Out
5	147-7561	1	Decal-Timecutter				Hour Meter
6	163-8025	2	Decal-Timecutter Max	9	63-8360	1	Key-Ignition

# Clutch Assembly



## Clutch Assembly (continued)

<i>Ref.</i>	<i>Part Number</i>	<i>Qty.</i>	<i>Description</i>	<i>Ref.</i>	<i>Part Number</i>	<i>Qty.</i>	<i>Description</i>
1	138-9792	1	Pulley-Engine	5	3234-42	1	Screw-HHF
2	137-7000	1	Stop-Clutch (Wide)	6	119-4042	1	Nut-HF, NI
3	120-2217	1	Isolator-Clutch	7	112843	1	Washer
4	127-3410	1	Clutch-PTO	8	3212-19	1	Screw-HH

# Attachments and Accessories

## For 77501 — TimeCutter Max 50in Zero Turn Riding Mower

<b>Product Name</b>	<b>Model/Part</b>
Residential Z Max 50in Bagger .....	79501
50 Inch Recycler Kit .....	139-3240
50 Inch Bagging Enhancement Kit .....	139-7459
Kit-Striping, 50" .....	147-8779
ROPS Kit .....	79487
Floormat Kit .....	147-8765
Assist Bar Kit .....	161-4450
Jack Kit .....	127-6666
Jack Mount .....	148-1283
Transport Lock Kit .....	161-4510
Kit-Caster Wheel .....	147-8772
Arm Rest Kit .....	147-8774
Toro Deluxe Rider Cover .....	490-7319
Led Light Kit .....	147-8757
Slope Sensor Kit .....	79489
Hour Meter Kit .....	147-8791
Blade Kit .....	79016P
4-Cycle Fuel, Snow And Lawn 32oz Can .....	131-3823
Toro Premium Fuel Treatment 12oz Bottle .....	131-6572
Oil-30/10W-30 Synthetic (Quart) .....	138-6053
10W30 4-Cycle Engine Oil (32oz Bottle) .....	38280
Toro 4-Cycle SAE 30 Oil (32oz Bottle) .....	38903
Belt-Deck, 50 TCSS .....	79006

**Notes:**



**Count on it.**