



Count on it.

Parts Catalog

TimeCutter® MyRIDE® 60in Zero Turn

Riding Mower

Model No. 77603—Serial No. 420789087 and Up



Ordering Replacement Parts

To order replacement parts, please supply the part number, the quantity, and the description of each part desired.

Understanding Reference Numbers

Each identified part in an illustration has a reference number. The reference number for a part also appears in the parts list, along with other information about the part.

This catalog uses two special reference number formats, one to indicate parts in a service assembly and another to indicate the quantity of a given part in an illustration.

Service Assembly Reference Numbers

Parts in service assemblies have reference numbers in the form a:b. The a represents the reference number of the entire service assembly and the b represents a sequential number unique to each part within the service assembly.

For example, a wheel assembly might be identified by reference number 6, the tire by 6:1, the valve by 6:2, and the wheel by 6:3. When you order the assembly identified by reference number 6, you receive all parts identified by reference numbers 6:1, 6:2, and 6:3. However, you may also order any part individually. Reference numbers of this type appear in illustration and in parts lists.

Reference Numbers Indicating Quantity

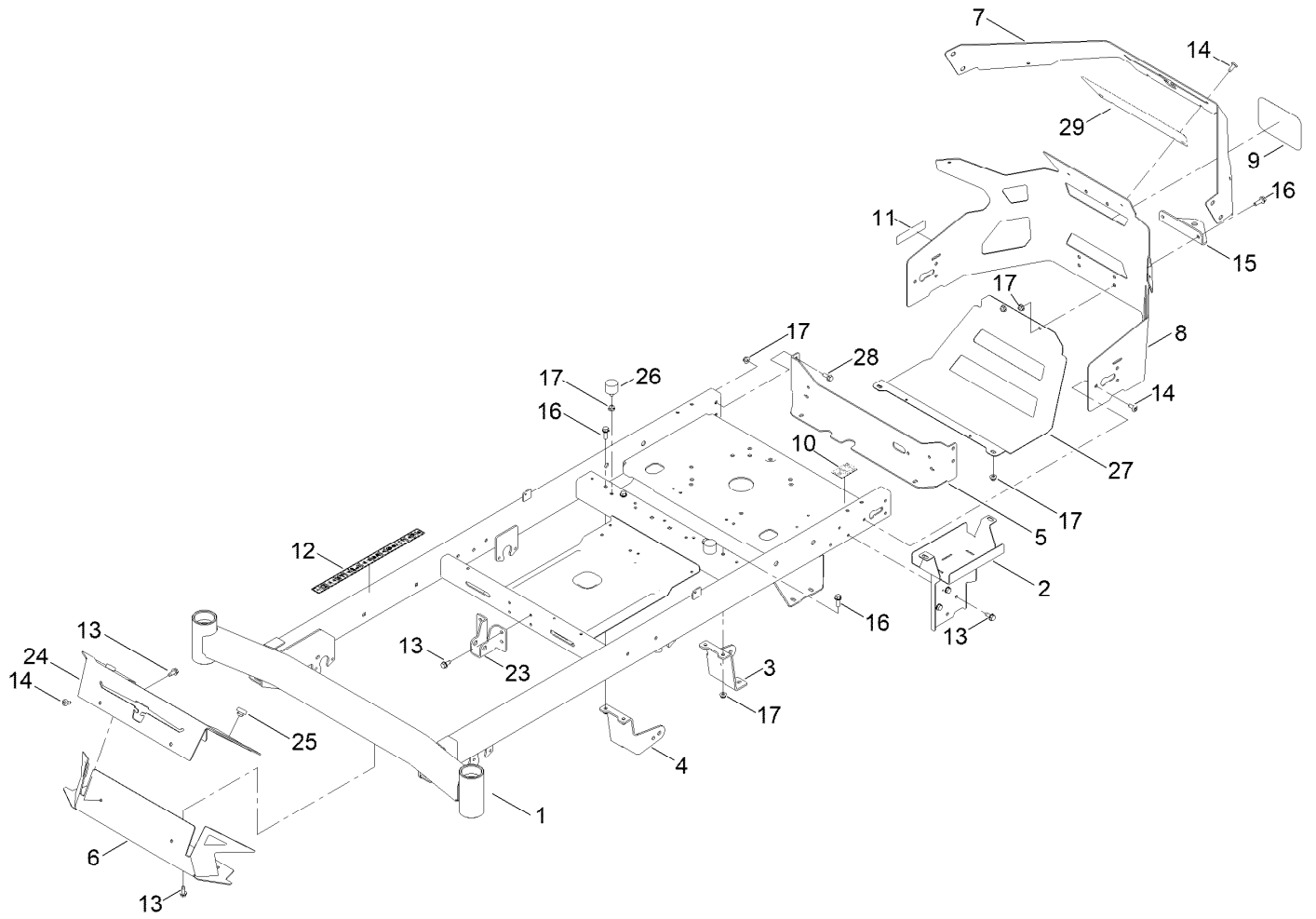
In an illustration, if a reference number indicates more than one part, the reference number has the form nX y. The n represents the quantity of the part, the X is the multiplication symbol, and the y represents the reference number.

For example, in an illustration, the reference number 2X 37 means that two of the parts identified by reference number 37 are indicated.

Contents

Frame Assembly	4
Deck Lift Assembly	6
Caster Fork and Wheel Assembly	8
Caster Tire Assembly No. 147-7598	10
Hydraulic Drive Assembly	12
LH Hydro Transmission Assembly No. 140-8301	14
RH Hydro Transmission Assembly No. 140-8300	16
Brake Assembly	18
Tire Assembly	20
Motion Control Assembly	22
Engine and Muffler Assembly	24
Fuel System Assembly	26
Fuel Tank Assembly No. 161-6588	28
Electrical Assembly	30
Main Wire Harness Assembly No. 145-6382	32
60 Inch Deck and Decal Assembly	34
Model Specific Assembly	36
Seat Suspension Assembly	38
Seat Assembly No. 164-0291	40
Clutch Assembly	42
Attachments and Accessories	44

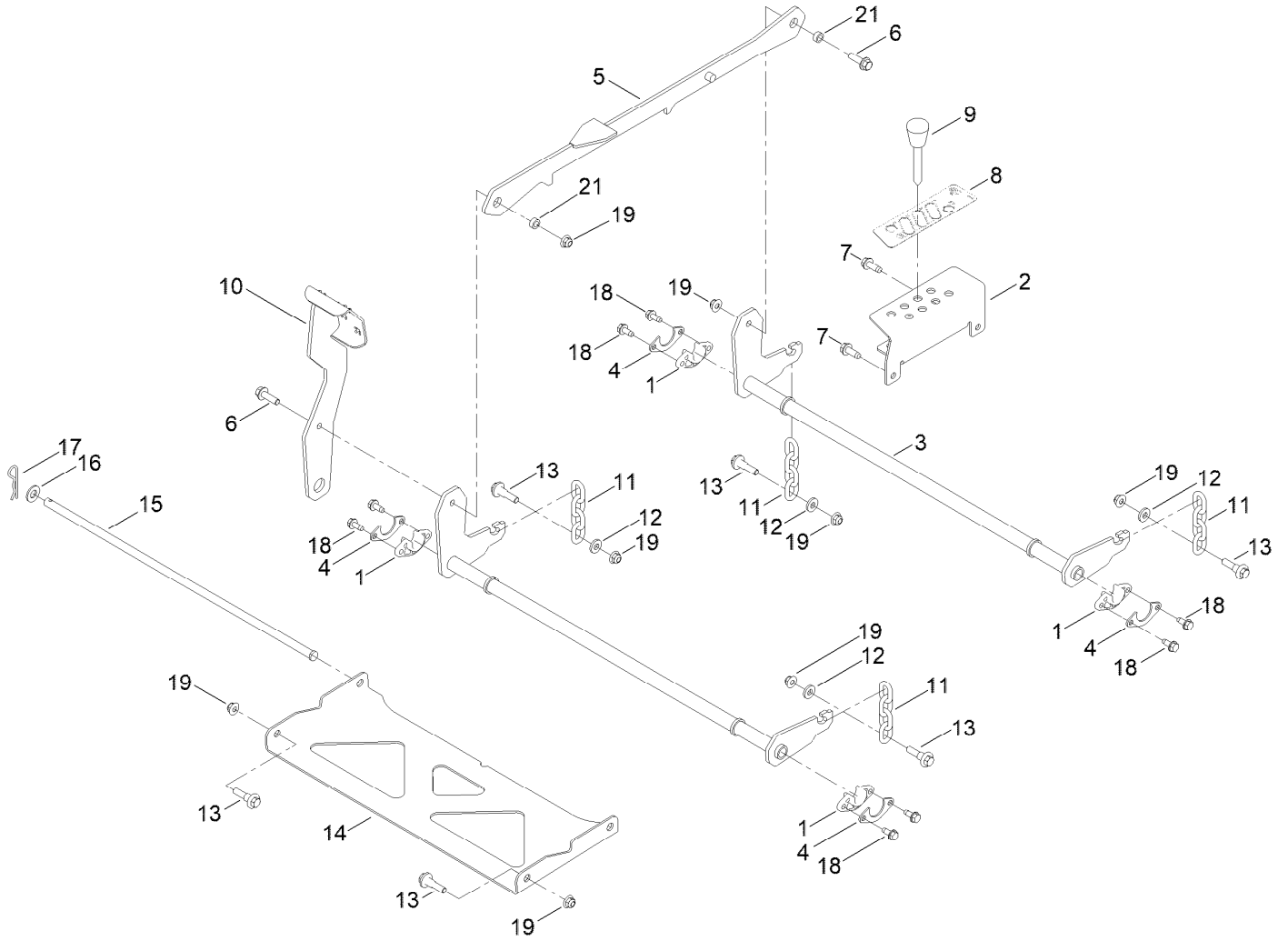
Frame Assembly



Frame Assembly (continued)

<i>Ref.</i>	<i>Part Number</i>	<i>Qty.</i>	<i>Description</i>	<i>Ref.</i>	<i>Part Number</i>	<i>Qty.</i>	<i>Description</i>
1	163-7979	1	Service ASM-Frame	14	138-9753	16	Screw
2	163-6020-05	1	Tray-Battery	15	117-1232-03	1	Bracket-Hitch
3	161-6506-01	1	Mount-Drive, LH	16	139-2596	6	Screw-HHF
4	161-6507-01	1	Mount-Drive, RH	17	119-4041	14	Nut-HF
5	163-3137-03	1	Plate-Mount, Rear	23	145-6323-01	1	Bracket-Mount Damper, Lower
6	147-2966-05	1	Footrest-Top	24	147-2850-05	1	Plate-Kick, Mr
7	147-2995-05	1	Plate-Rear Cladding Tc	25	140-3460	2	Bumper-Rubber
8	147-2994-05	1	Guard-Engine Tc	26	137-4803	2	Bumper-Rubber
9	127-7590	1	Decal	27	163-6002-03	1	Guard-Muffler [black]
10	161-6207	1	Decal-Bypass	28	139-2598	4	Screw-HHF
11	142-5864	1	Decal-Spark Arrester	29	147-7699	2	Decal-Backer, Red
12	144-5288	1	Decal-Warning				
13	32144-70	8	Screw-HWHTF				

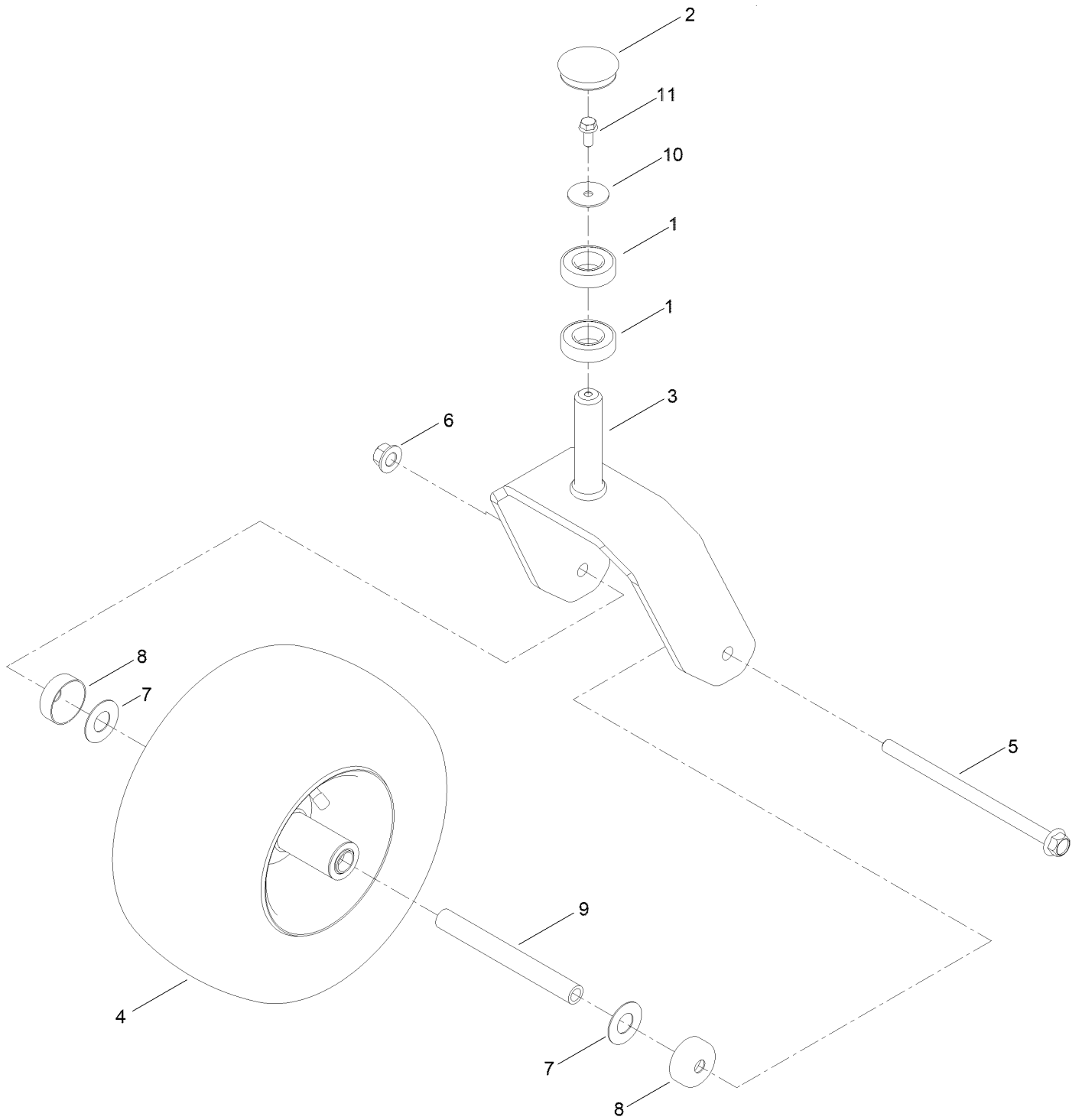
Deck Lift Assembly



Deck Lift Assembly (continued)

<i>Ref.</i>	<i>Part Number</i>	<i>Qty.</i>	<i>Description</i>	<i>Ref.</i>	<i>Part Number</i>	<i>Qty.</i>	<i>Description</i>
1	139-5872	4	Bearing-Flange	11	138-7205	4	Chain-Decklift, 4-Link
2	145-6257-05	1	Bracket-HOC	12	138-7207	4	Spacer-Hub, Blower
3	145-4645-05	2	Pivot ASM-Decklift [blk-Txt]	13	130-0742	6	Bolt-Shoulder
4	138-7204	4	Gusset-Deck Lift	14	145-6248-03	1	Pan-Deck Pivot
5	145-0557-05	1	Link ASM-HOC [blk-Txt]	15	145-6288	1	Pin-Deck
6	119-4061	2	Screw-HHF	16	139-2611	1	Washer-Flat
7	139-2428	2	Screw-HWH	17	139-2562	1	Pin-Hair
8	147-2866	1	Decal-HOC, Tc	18	32144-70	8	Screw-HWHTF
9	140-2146	1	HOC Pin ASM	19	119-4042	8	Nut-HF, NI
10	145-6278-05	1	Pedal ASM [blk-Txt]	21	140-2093	2	Spacer

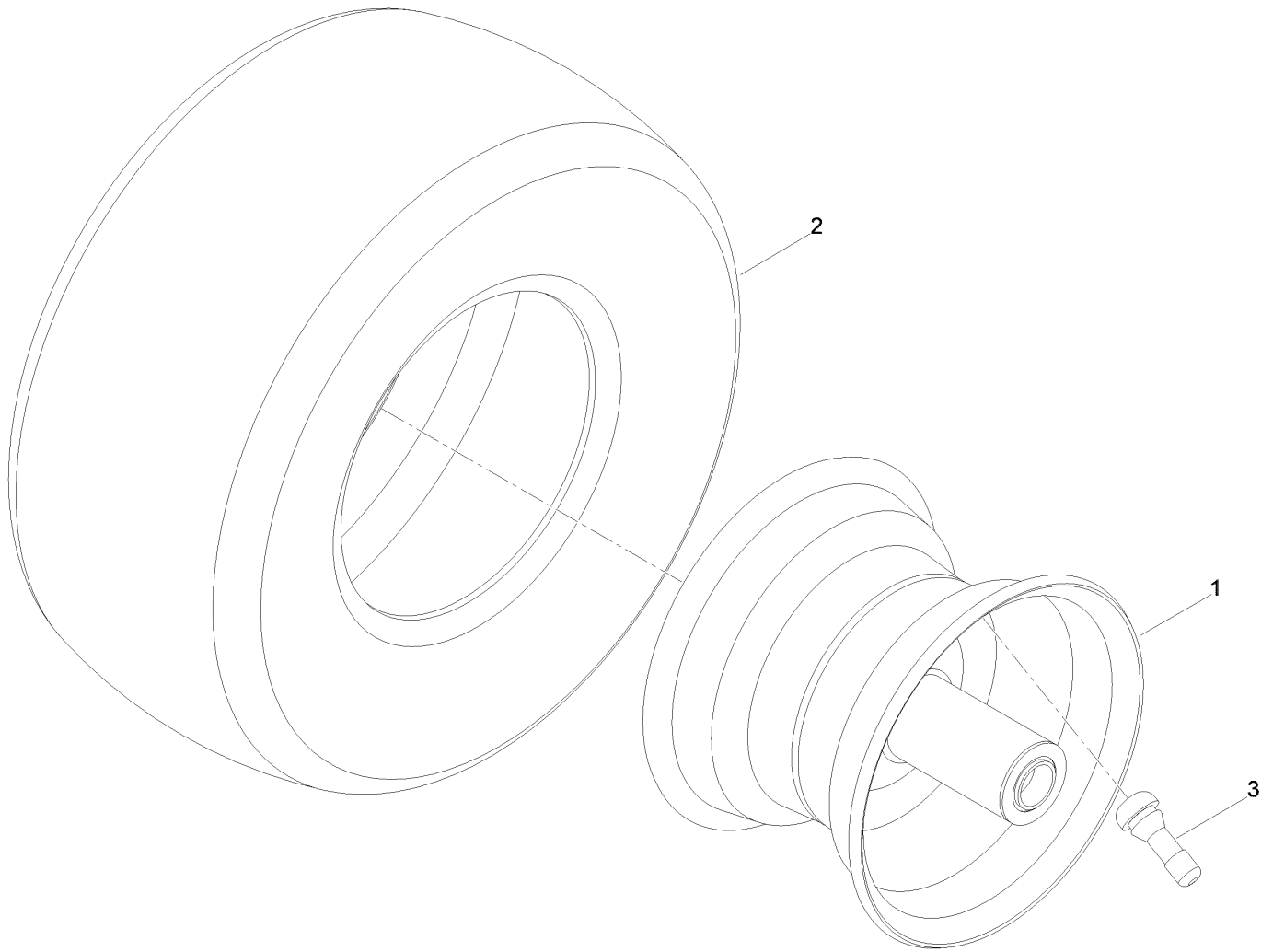
Caster Fork and Wheel Assembly



Caster Fork and Wheel Assembly (continued)

<i>Ref.</i>	<i>Part Number</i>	<i>Qty.</i>	<i>Description</i>	<i>Ref.</i>	<i>Part Number</i>	<i>Qty.</i>	<i>Description</i>
1	109-3678	4	Bearing-Ball	7	136-5590	4	Washer
2	144-0375	2	Cap-Grease	8	138-7208	4	Guard-Seal
3	133-4375-05	2	Fork	9	133-4487	2	Spanner-Wheel
4	147-7598	2	Caster Tire ASM 13X6.5-6	10	115-1151	2	Washer-Flat
5	147-2939	2	Screw-HHF	11	100-1668	2	Screw-HHF
6	139-1689	2	Nut-HF				

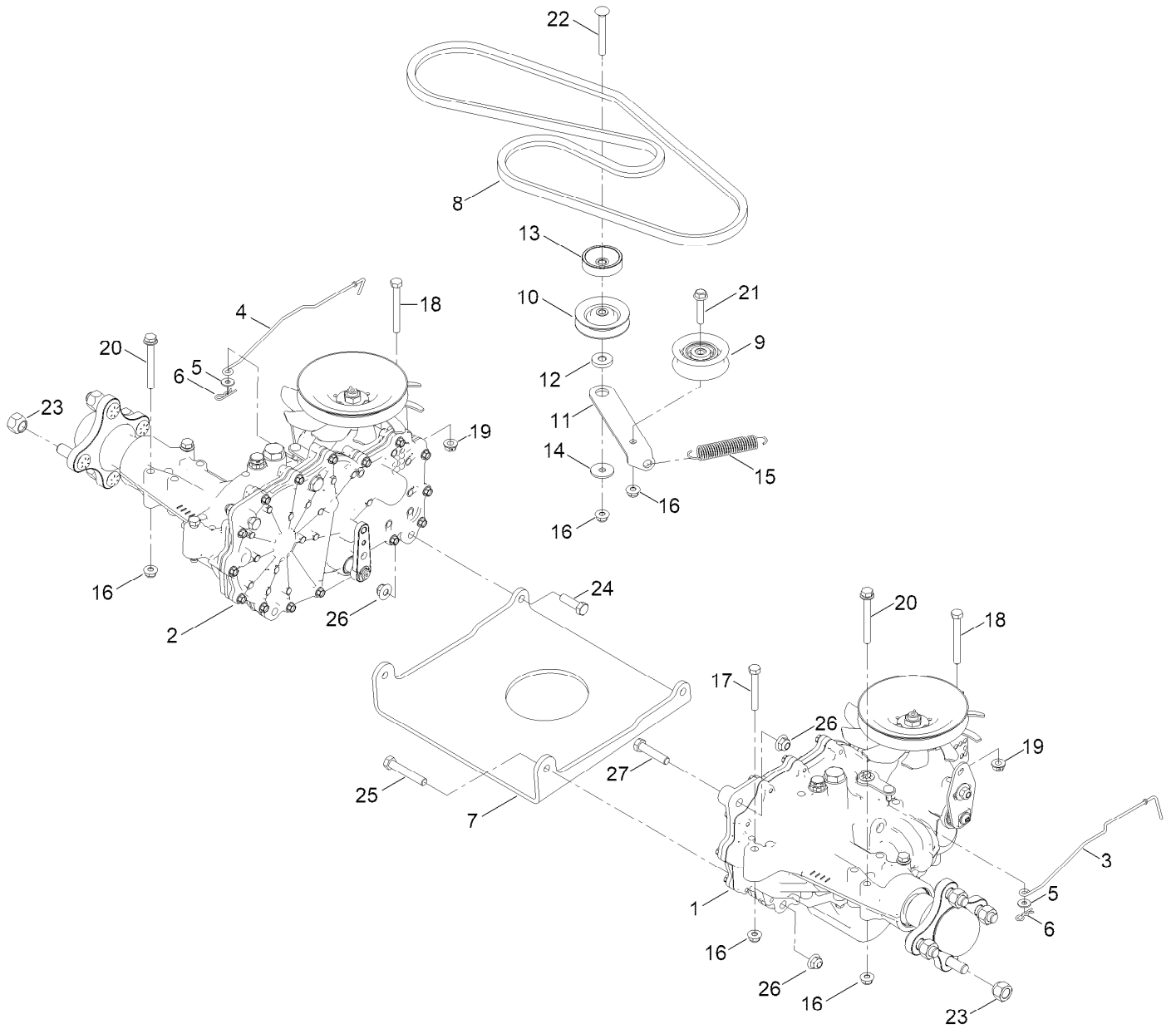
Caster Tire Assembly No. 147-7598



Caster Tire Assembly No. 147-7598 (continued)

<i>Ref.</i>	<i>Part Number</i>	<i>Qty.</i>	<i>Description</i>
1	147-7600	1	Wheel W/Bearings
2	147-7599	1	Tire 13X6.5-6
3	232-27	1	Stem-Valve

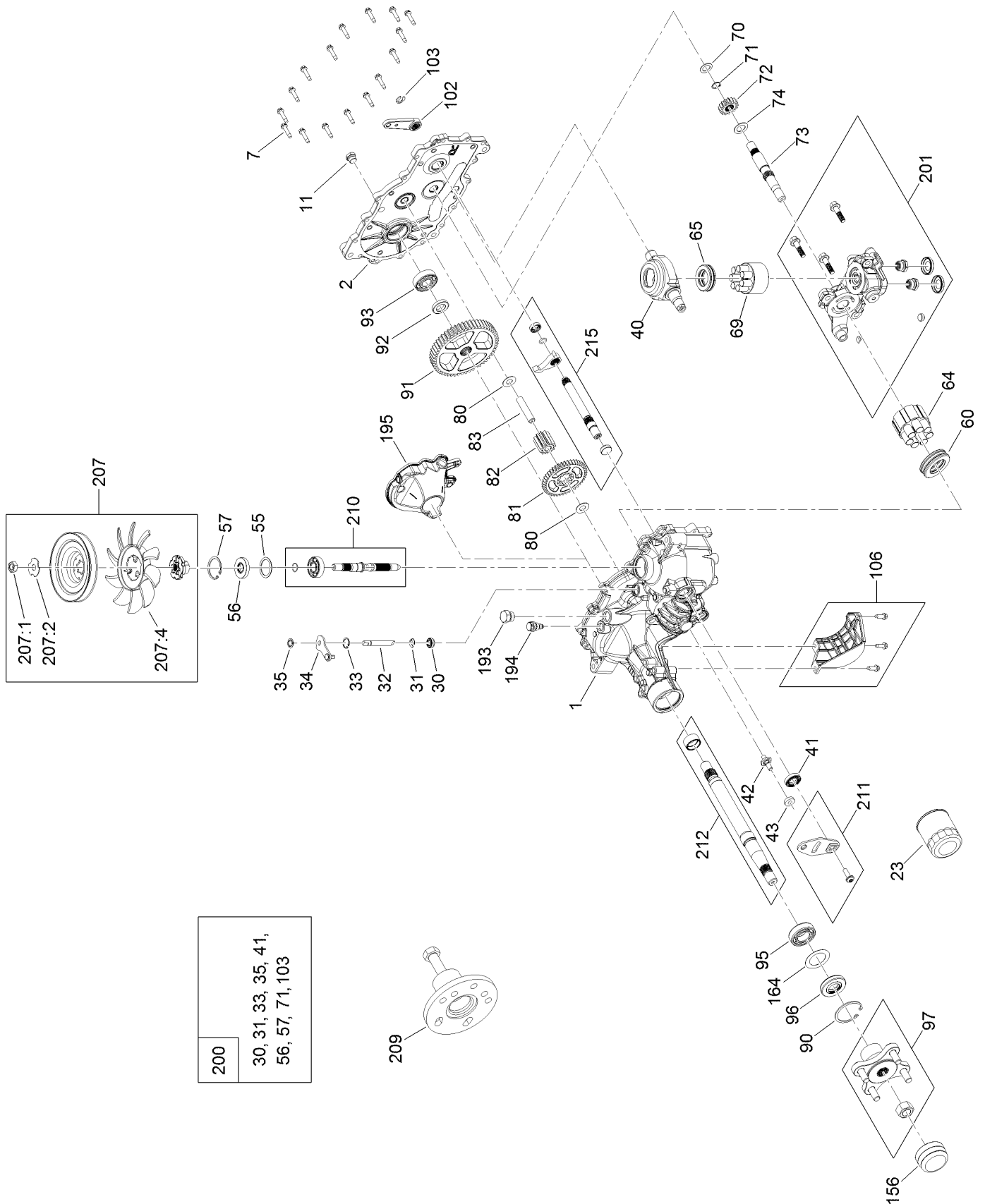
Hydraulic Drive Assembly



Hydraulic Drive Assembly (continued)

<i>Ref.</i>	<i>Part Number</i>	<i>Qty.</i>	<i>Description</i>	<i>Ref.</i>	<i>Part Number</i>	<i>Qty.</i>	<i>Description</i>
1	140-8301	1	LH Hydro Transmission ASM	14	5-4460	1	Washer-Pivot
2	140-8300	1	RH Hydro Transmission ASM	15	137-7040	1	Spring-Return, Pedal
3	147-2987	1	Rod-Bypass, LH	16	119-4041	8	Nut-HF
4	147-2986	1	Rod-Bypass, RH	17	322-11	2	Screw-HH
5	119-8952	2	Washer-Spcl	18	145-6388	2	Screw-HH Spcl
6	3290-307	2	Pin-Cotter	19	139-2574	2	Nut-HF
7	161-9754-03	1	Plate-Hydro	20	138-7590	4	Screw-HHF
8	145-6362	1	V-Belt (A Sec 65.30 EI)	21	115-1794	1	Screw-HHF
9	138-7597	1	Pulley-Idler, Flat	22	3230-8	1	Screw-CARR
10	68-0030	1	Idler	23	139-2564	8	Nut-Lug
11	147-2925	1	Arm-Idler	24	323-7	2	Screw-HH
12	138-7277	1	Spacer-Arm, Idler	25	323-11	2	Screw-HH
13	138-9809	1	Spacer	26	119-4042	6	Nut-HF, NI
				27	323-9	2	Screw-HH

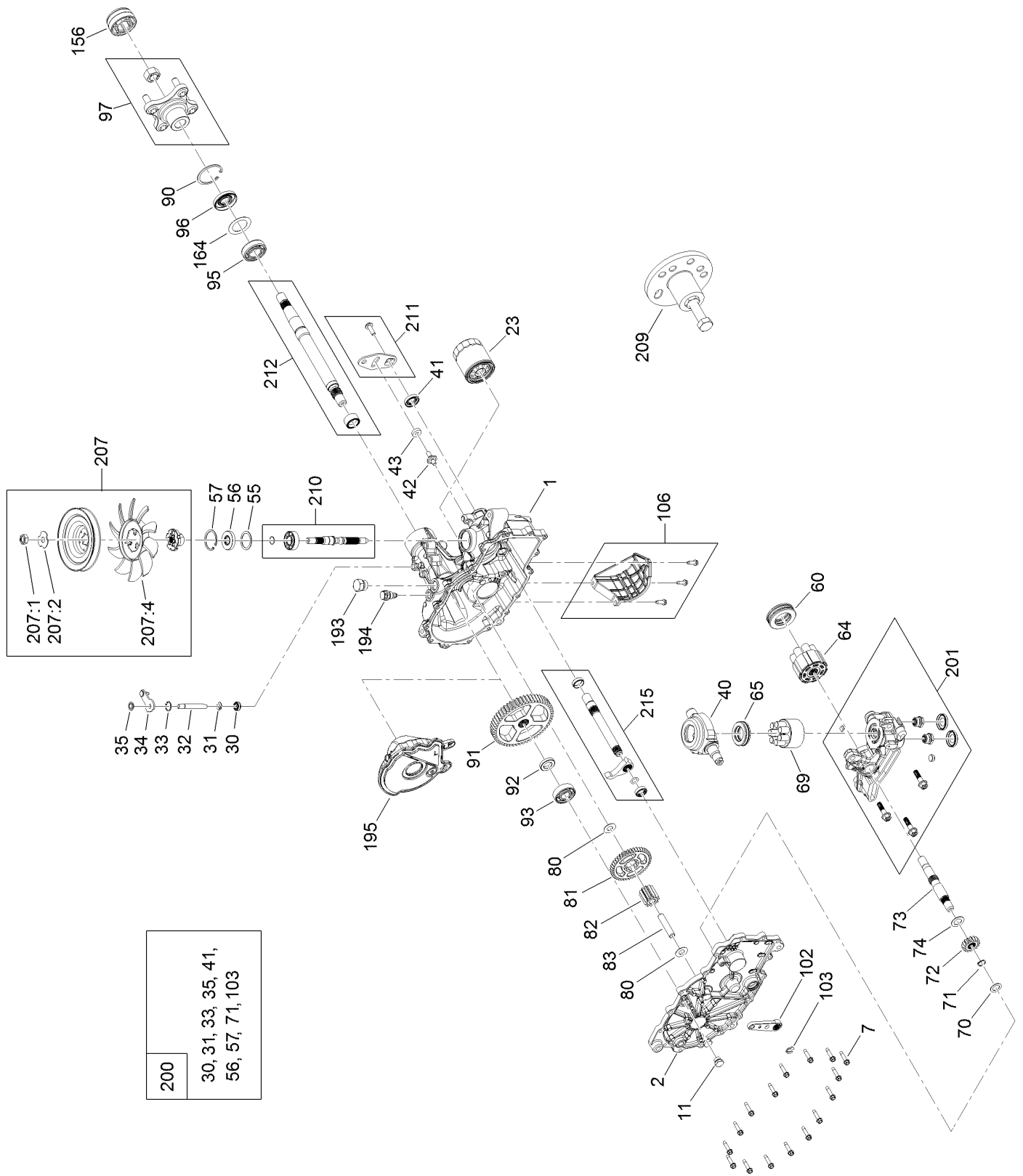
LH Hydro Transmission Assembly No. 140-8301



LH Hydro Transmission Assembly No. 140-8301 (continued)

<i>Ref.</i>	<i>Part Number</i>	<i>Qty.</i>	<i>Description</i>	<i>Ref.</i>	<i>Part Number</i>	<i>Qty.</i>	<i>Description</i>
1	140-8346	1	RH Control Main Housing Kit	74	104-5360	1	Washer
2	140-8349	1	RH Side Cover Kit	80	94-1933	2	Washer
7	117-5359	16	Screw-HHF	81	125-0000	1	Gear-43T
11	135-1140	1	Plug-Straight	82	114-1693	1	Gear-11T
23	109-3321	1	Element-Oil Filter, HYD	83	104-5329	1	Pin-Jackshaft
30	139-7497	1	Seal-Lip	90	104-2169	1	Ring-Retaining
31	106-8677	1	Ring-Retaining, External	91	114-1694	1	Gear-54T
32	114-1685	1	Rod-Bypass	92	120-7975	1	Spacer
33	106-8679	1	Ring-Retaining, Internal	96	104-2144	1	Seal
34	112-9852	1	Arm-Bypass	97	109-5939	1	Hub Kit
35	106-8681	1	Ring-Retaining, External	102	125-0021	1	Handle-Brake
40	104-5304	1	Swashplate-Trunnion	103	131-0906	1	Ring-Retaining, EXT
41	104-5313	1	Seal-Lip	106	139-7499	1	Filter Guard Kit
42	104-2116	1	Stud	156	115-5057	1	Cover-Nut, Axle
43	112-9853	1	Puck-Friction	164	121-5745	1	Spacer
55	104-5308	1	Spacer	193	140-8343	1	Plug
56	104-5310	1	Seal-Lip	194	140-8356	1	Breather Fitting ASM
57	104-5309	1	Ring-Retaining	195	140-8357	1	RH Internal Expansion Tank ASM
60	112-4154	1	Bearing-Thrust	200	140-8351	1	Seal Kit
64	139-4074	1	Cylinder Block ASM Kit	201	132-0940	1	RH Center Section Kit
65	94-6922	1	Bearing-Thrust	207	135-7343	1	Fan And Pulley Kit
69	110-8561	1	Pump Block ASM	209	114-8467	1	Puller-Hub, 4 Bolt
70	104-5339	1	Washer-Flat	210	140-8344	1	Input Shaft Kit
71	104-5340	1	Ring-Retaining	211	117-5362	1	Control Arm Kit
72	121-5749	1	Gear-16T	212	114-8470	1	Axle Shaft Kit
73	114-1691	1	Shaft-Motor	215	140-8352	1	Inboard Kit

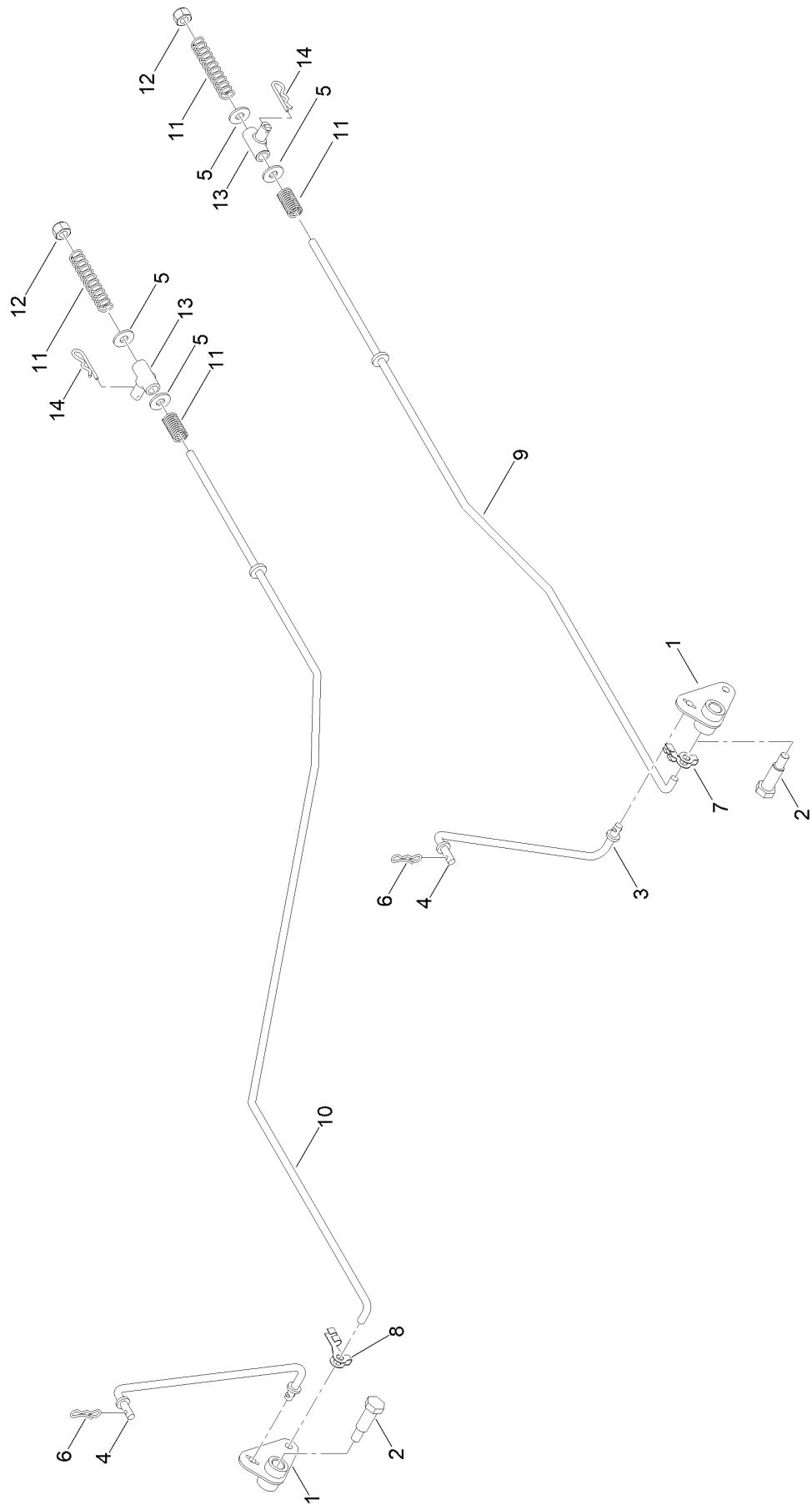
RH Hydro Transmission Assembly No. 140-8300



RH Hydro Transmission Assembly No. 140-8300 (continued)

<i>Ref.</i>	<i>Part Number</i>	<i>Qty.</i>	<i>Description</i>	<i>Ref.</i>	<i>Part Number</i>	<i>Qty.</i>	<i>Description</i>
1	140-8348	1	LH Control Main Housing Kit	80	94-1933	2	Washer
2	140-8350	1	LH Side Cover Kit	81	125-0000	1	Gear-43T
7	117-5359	16	Screw-HHF	82	114-1693	1	Gear-11T
11	135-1140	1	Plug-Straight	83	104-5329	1	Pin-Jackshaft
23	109-3321	1	Element-Oil Filter, HYD	90	104-2169	1	Ring-Retaining
30	139-7497	1	Seal-Lip	91	114-1694	1	Gear-54T
31	106-8677	1	Ring-Retaining, External	92	120-7975	1	Spacer
32	114-1685	1	Rod-Bypass	96	104-2144	1	Seal
33	106-8679	1	Ring-Retaining, Internal	97	109-5939	1	Hub Kit
34	107-2490	1	Arm-Bypass	102	125-0021	1	Handle-Brake
35	106-8681	1	Ring-Retaining, External	103	131-0906	1	Ring-Retaining, EXT
40	104-5304	1	Swashplate-Trunnion	106	139-7498	1	Filter Guard Kit
41	104-5313	1	Seal-Lip	156	115-5057	1	Cover-Nut, Axle
42	104-2116	1	Stud	164	121-5745	1	Spacer
43	112-9853	1	Puck-Friction	193	140-8343	1	Plug
55	104-5308	1	Spacer	194	140-8356	1	Breather Fitting ASM
56	104-5310	1	Seal-Lip	195	140-8358	1	LH Internal Expansion Tank ASM
57	104-5309	1	Ring-Retaining	200	140-8351	1	Seal Kit
60	112-4154	1	Bearing-Thrust	201	125-0036	1	Center Section Kit
64	139-4074	1	Cylinder Block ASM Kit	207	135-7343	1	Fan And Pulley Kit
65	94-6922	1	Bearing-Thrust	209	114-8467	1	Puller-Hub, 4 Bolt
69	110-8561	1	Pump Block ASM	210	140-8344	1	Input Shaft Kit
70	104-5339	1	Washer-Flat	211	117-5362	1	Control Arm Kit
71	104-5340	1	Ring-Retaining	212	114-8470	1	Axle Shaft Kit
72	121-5749	1	Gear-16T	215	140-8353	1	Inboard Kit
73	114-1691	1	Shaft-Motor				
74	104-5360	1	Washer				

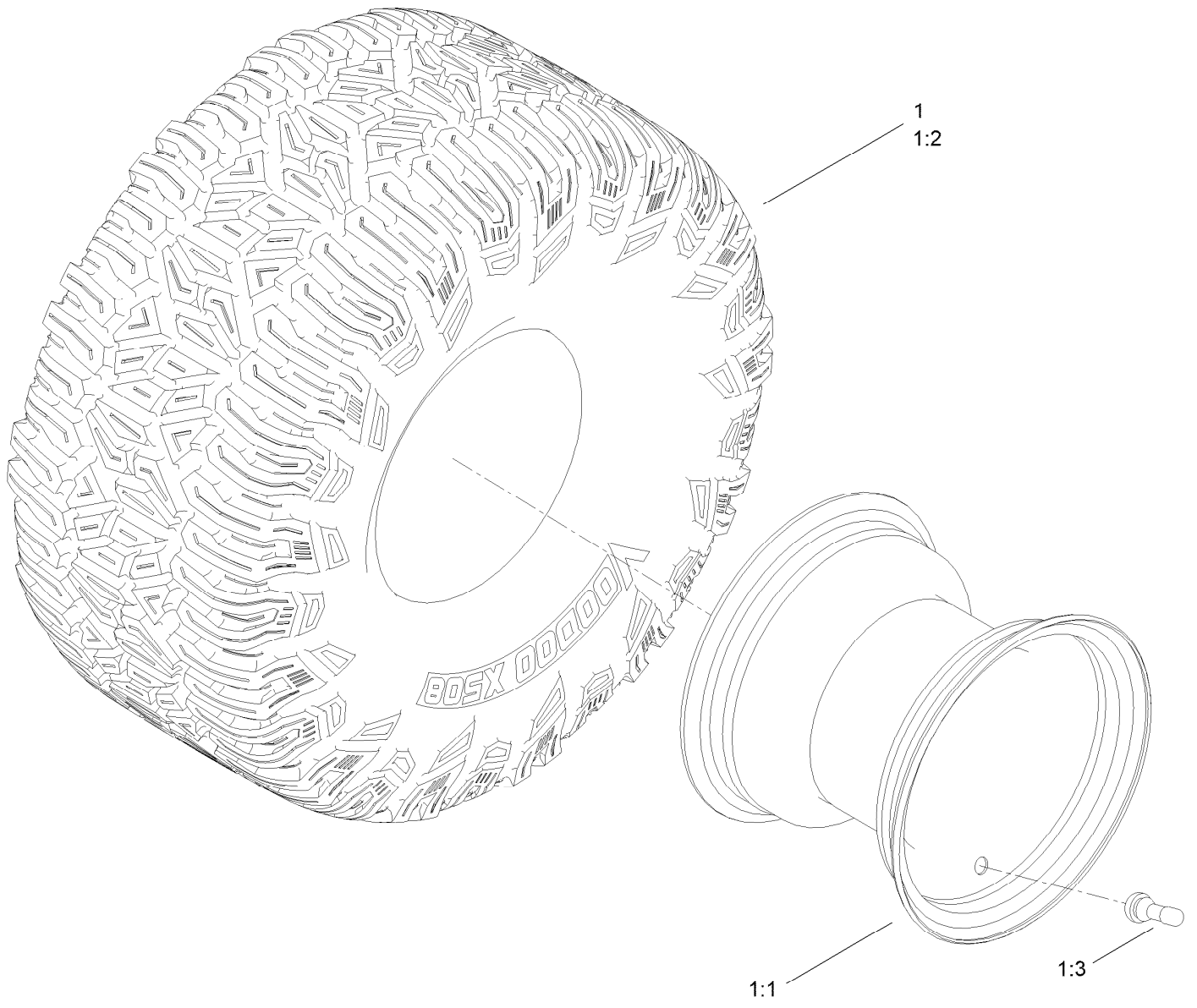
Brake Assembly



Brake Assembly (continued)

<i>Ref.</i>	<i>Part Number</i>	<i>Qty.</i>	<i>Description</i>	<i>Ref.</i>	<i>Part Number</i>	<i>Qty.</i>	<i>Description</i>
1	161-6420	2	Bellcrank	8	144-1815	1	Clip-Rod, RH (7R, 1/4In)
2	145-6364	2	Bolt-Shoulder	9	145-6372	1	Rod-Brake LH
3	145-4607	1	Link-Brake, LH	10	145-6371	1	Rod-Brake, RH
4	145-6238	1	Link-Brake, RH	11	121-5654	4	Spring-Compression
5	119-8952	4	Washer-Spcl	12	3296-42	2	Nut-Lock, NI
6	119-1414	2	Pin-Cotter, Locking	13	161-6635	2	Mount-Pivot
7	144-1816	1	Clip-Rod, LH (7L, 1/4In)	14	3290-307	2	Pin-Cotter

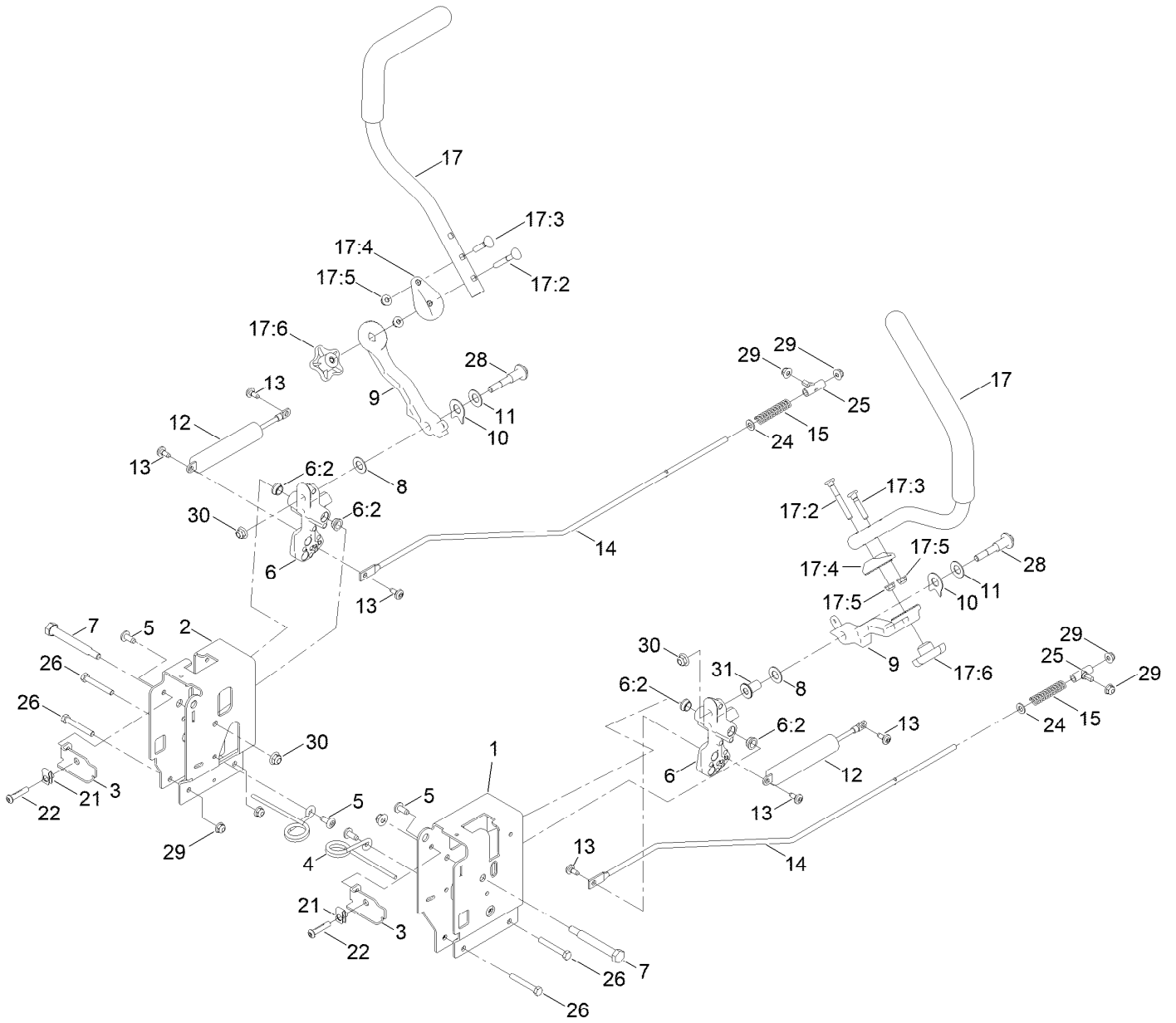
Tire Assembly



Tire Assembly (continued)

<i>Ref.</i>	<i>Part Number</i>	<i>Qty.</i>	<i>Description</i>	<i>Ref.</i>	<i>Part Number</i>	<i>Qty.</i>	<i>Description</i>
1	145-6391	2	Tire ASM	1:2	147-5179	1	Tire
1:1	147-5180	1	Rim	1:3	232-27	1	Stem-Valve

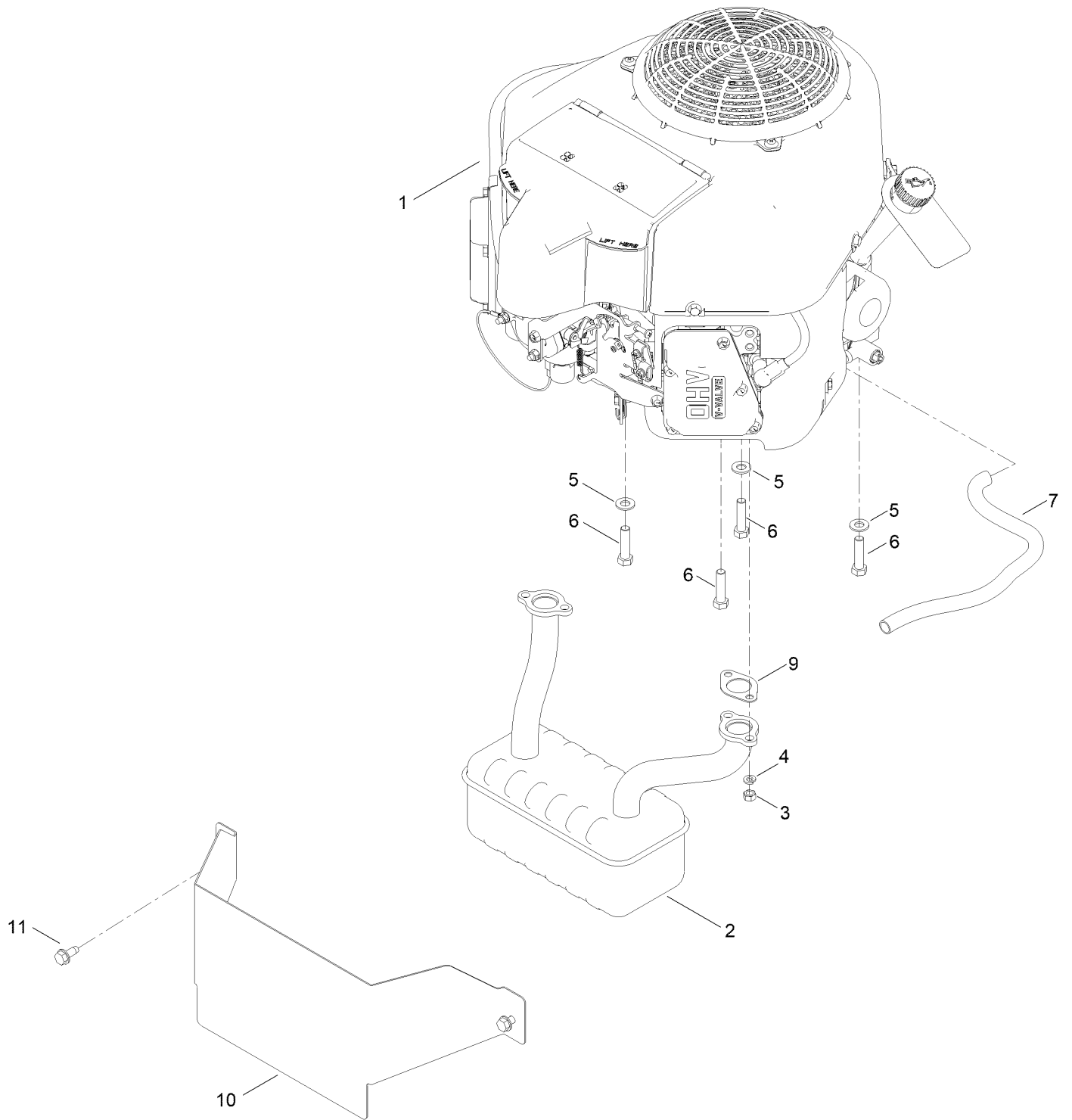
Motion Control Assembly



Motion Control Assembly (continued)

<i>Ref.</i>	<i>Part Number</i>	<i>Qty.</i>	<i>Description</i>	<i>Ref.</i>	<i>Part Number</i>	<i>Qty.</i>	<i>Description</i>
1	163-5941-03	1	Control Box - LH	17	161-6525	2	Handle-Control, ASM
2	163-5942-03	1	Control Box - RH	17:2	145-6366	1	Screw-Handle
3	163-3189	2	Adjustment Plate-Control Box	17:3	137-3008	1	Screw-Handle
4	145-6253	2	Spring-Torsion	17:4	147-5192-05	1	Disc-Adjustment Handle, 32 Teeth
5	138-9753	4	Screw	17:5	138-8401	2	Nut-HF
6	164-3311	2	Pivot Arm ASM	17:6	117-5976	1	Knob-Handle
6:2	163-3186	2	Bushing-Flange	21	112-3306	2	Nut
7	115-5099	2	Bolt-Pivot	22	126-4299	2	Screw-HSBH
8	163-7396	4	Washer-Friction	24	120-9683	2	Washer-Plain
9	147-5191-05	2	Arm-Control, 32 Teeth	25	138-7218	2	Mount-Rod, Hydro
10	142-8478	2	Spacer, Anti-Rotation	26	322-11	4	Screw-HH
11	119-8925	2	Washer-Belleville	28	133-9682	2	Screw-Hfh
12	161-6514	2	Damper - Non Cavitating	29	119-4041	8	Nut-HF
13	120-7950	6	Screw-Torx	30	119-4042	4	Nut-HF, NI
14	145-4699	2	Rod - Hydro, LH	31	163-2335	2	Spacer-Pivot
15	138-7252	2	Spring-Compression				

Engine and Muffler Assembly



Engine and Muffler Assembly (continued)

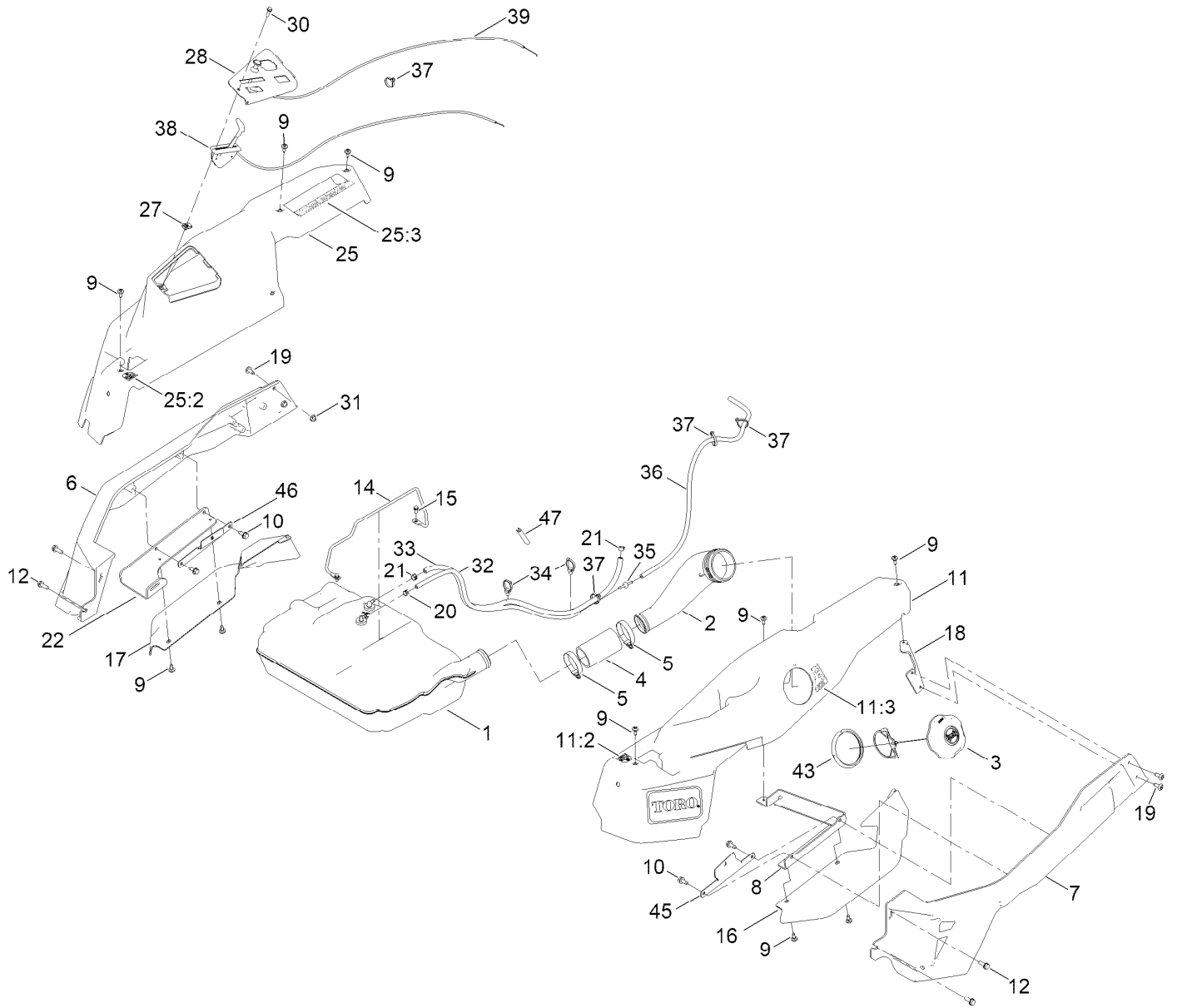
<i>Ref.</i>	<i>Part Number</i>	<i>Qty.</i>	<i>Description</i>	<i>Ref.</i>	<i>Part Number</i>	<i>Qty.</i>	<i>Description</i>
1		1	Engine-Kawasaki Fr691 ■▲	4	114-3550	4	Washer-Lock
1:1	119-5852	1	Filter-Oil ●	5	3256-24	3	Washer-Plain
1:2	142-6949	1	Filter-Fuel ●	6	323-50	4	Bolt-HH
1:3	92-2153	2	Plug-Spark ●	7	106-7022	1	Tube-Drain, Oil
1:4	120-7448	1	Filter-Air, Paper ●	9	1-653313	2	Gasket-Exhaust
2	139-5867	1	Muffler	10	161-6649-03	1	Heat Shield - Muffler
3	114-3549	4	Nut	11	32144-70	2	Screw-HWHTF

● Not illustrated

▲ Obtain parts from www.kawpower.com

■ Not serviced separately

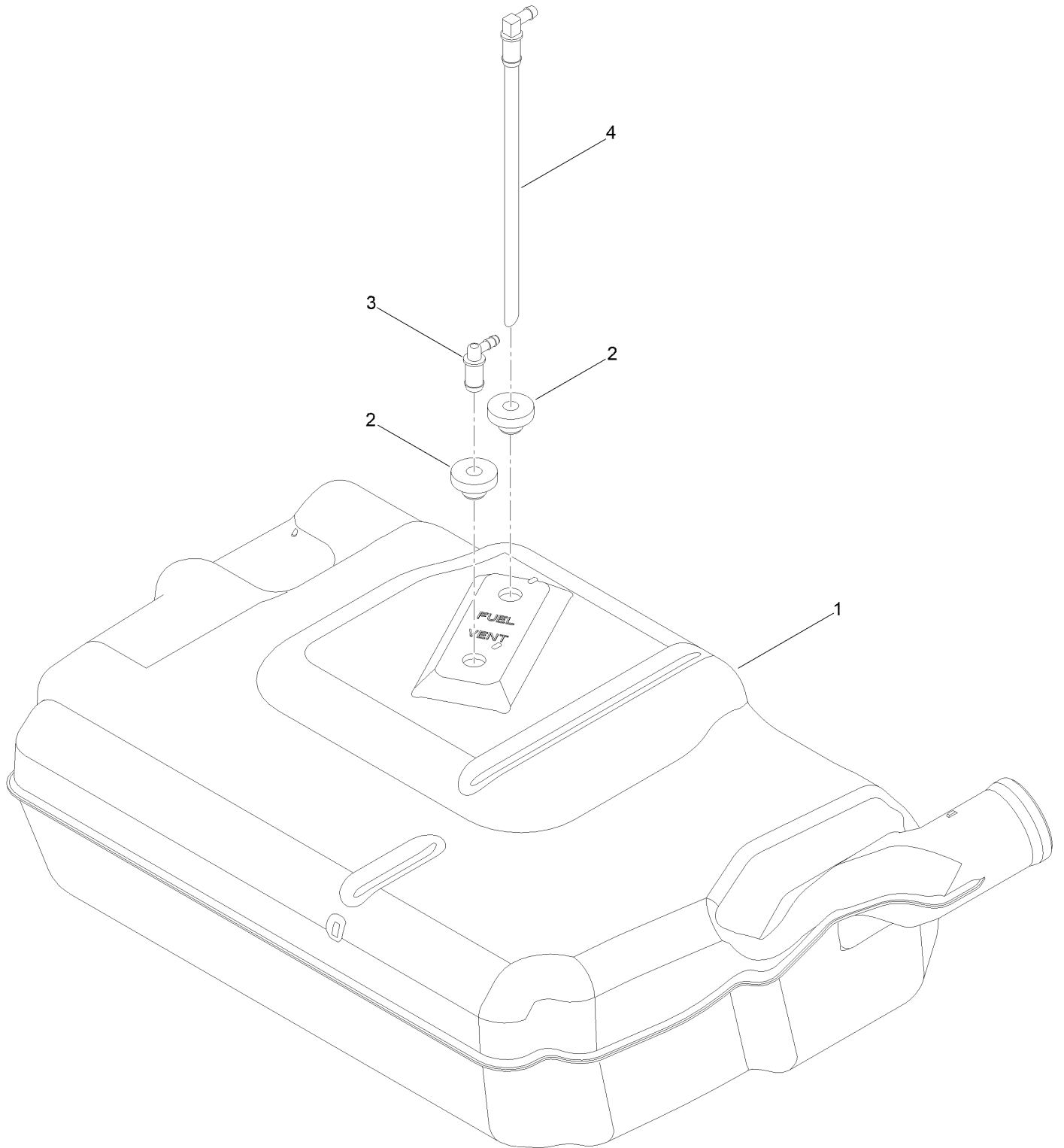
Fuel System Assembly



Fuel System Assembly (continued)

<i>Ref.</i>	<i>Part Number</i>	<i>Qty.</i>	<i>Description</i>	<i>Ref.</i>	<i>Part Number</i>	<i>Qty.</i>	<i>Description</i>
1	161-6588	1	Fuel Tank ASM	22	147-5173-03	1	Bracket-Mr Spring
2	147-2852	1	Neck-Filler, Fuel	25	147-8744	1	Pod ASM - RH , Mr W/Decals
3	163-5914	1	Cap Fuel, Ratcheting	25:2	139-2394	1	Decal-Control Lever, RH
4	145-4698	1	Hose-Filler, Fuel	25:3	147-7574	1	Decal - Myride
5	2412-130	2	Clamp-Hose	27	107069	1	Clip
6	147-2973-05	1	Cast-Tube, RH [blk-Txt]	28	147-2990-03	1	Panel-Control
7	147-2972-05	1	Cast-Tube, LH [blk-Txt]	30	32105-15	1	Screw-HWH
8	147-2974-03	1	Mount-Pod Bracket LH	31	119-4041	2	Nut-HF
9	120-7950	10	Screw-Torx	32	140-4956	1	Hose-Fuel
10	32144-70	4	Screw-HWHTF	33	109-1395	1	Hose-Fuel
11	147-8741	1	Pod ASM - LH W/Decals	34	32180-030	2	Clip-Tie
11:2	139-2395	1	Decal-Control Lever, LH	35	144-1983	1	Adapter Orifice
11:3	147-2399	1	Decal-Fuel Fill	36	140-4956	1	Hose-Fuel
12	32144-41	4	Screw-Taptite	37	614249	4	Tie-Cable
14	147-5176	1	Rod-Hold Down	38	147-7695	1	Cable-Throttle
15	32144-4	2	Screw-HWH	39	139-2402	1	Cable-Choke
16	147-2978	1	Fender-Time Cutter, LH	43	147-7712	1	Ring-Retaining
17	147-2979	1	Fender-Time Cutter, RH	45	161-4609-03	1	Bracket-Alignment, Pod LH
18	147-2976-03	1	Bracket-Rear Pod, LH	46	161-4611-03	1	Bracket- Alignment, Pod RH Mr
19	138-9753	4	Screw	47	161-6414	1	Trim-Edge Guard
20	2412-80	1	Clamp-Hose				
21	2412-98	2	Clamp-Hose				

Fuel Tank Assembly No. 161-6588



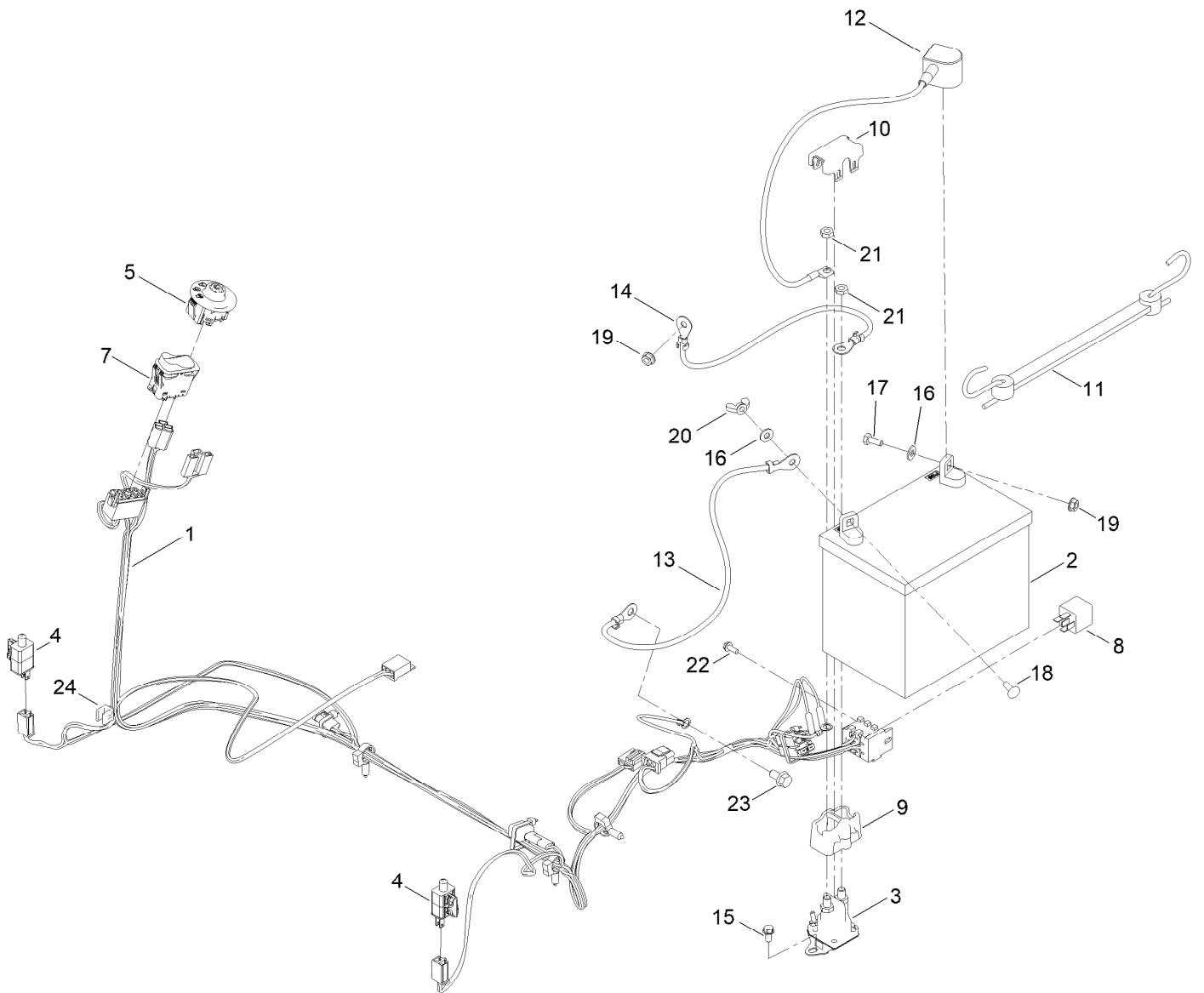
Fuel Tank Assembly No. 161-6588 (continued)

<i>Ref.</i>	<i>Part Number</i>	<i>Qty.</i>	<i>Description</i>
1		1	Tank-Fuel ●
2	46-6560	2	Bushing

<i>Ref.</i>	<i>Part Number</i>	<i>Qty.</i>	<i>Description</i>
3	161-6609	1	Fitting-Elbow 90
4	147-2934	1	Fitting-Pickup, Fuel

● Not serviced separately

Electrical Assembly



Electrical Assembly (continued)

<i>Ref.</i>	<i>Part Number</i>	<i>Qty.</i>	<i>Description</i>	<i>Ref.</i>	<i>Part Number</i>	<i>Qty.</i>	<i>Description</i>
1	145-6382	1	Harness-Wire, Main	14	121-0711	1	Cable-Battery, Positive
2	140-2076	1	Battery - Wet	15	32144-4	2	Screw-HWH
3	117-1197	1	Solenoid	16	3256-22	2	Washer-Flat
4	110-6765	2	Switch	17	321-3	1	Screw-HH
5	137-4100	1	Switch-Ignition	18	3229-1	1	Screw-CARR
7	139-6368	1	Switch-Rocker, On-None-On	19	32128-33	2	Nut-HF
8	1-643275	1	Relay	20	32103-22	1	Nut-Wing
9	140-2080	1	Cover-Solenoid	21	3220-2	2	Nut-Hex Jam
10	140-2081	1	Cap-Solenoid	22	139-1713	1	Screw-Thd Roll
11	104-2466	1	Holddown-Battery	23	33104-016	1	Screw-HHF
12	147-2941	1	Cable-Battery,Red	24	32180-082	1	Clip-Edge W/Tie, Perpendicular
13	119-8899	1	Cable-Battery, Black				

Main Wire Harness Assembly No. 145-6382

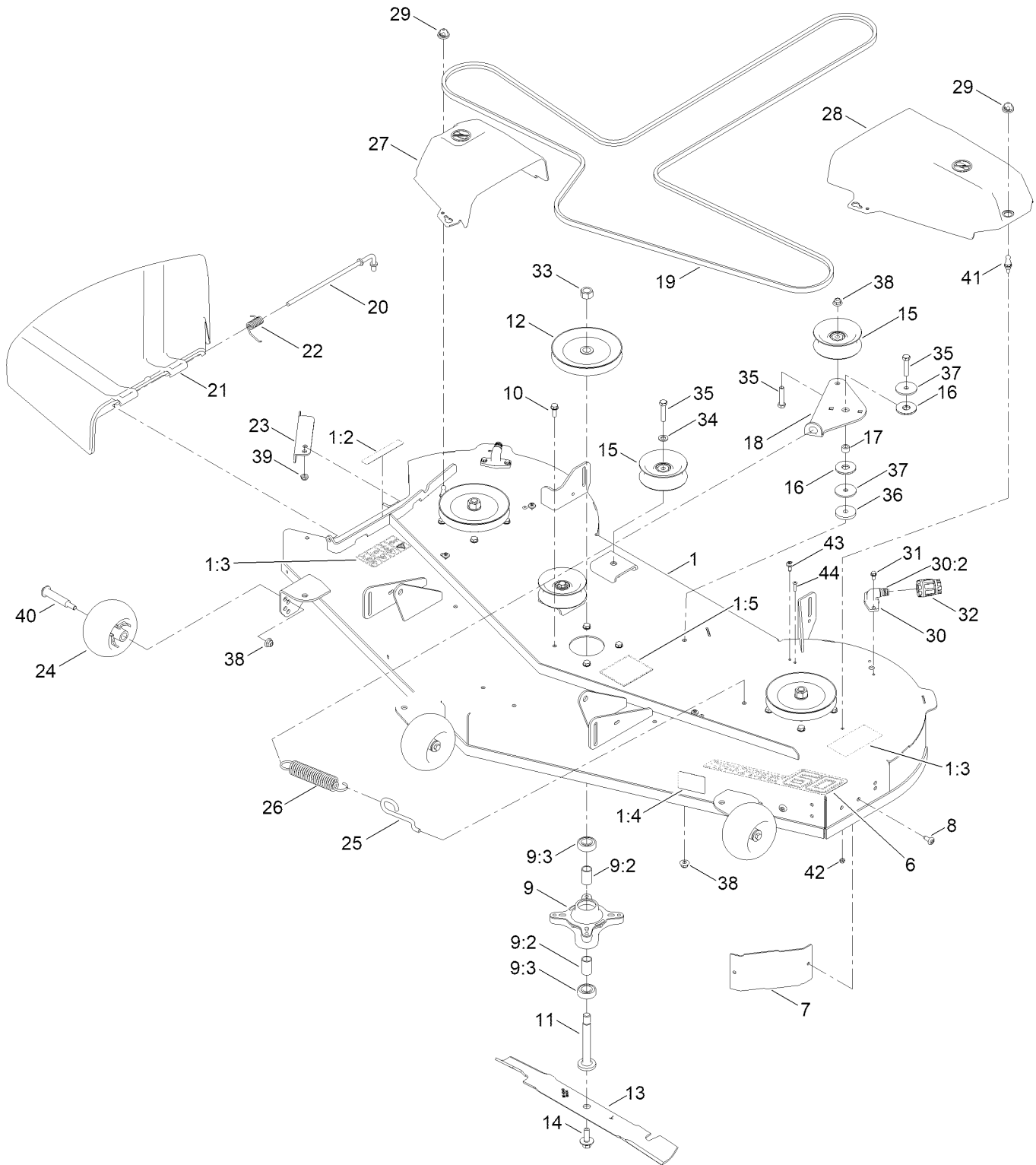


Main Wire Harness Assembly No. 145-6382 (continued)

<i>Ref.</i>	<i>Part Number</i>	<i>Qty.</i>	<i>Description</i>
7	109355	1	Fuse-Blade, 15 Amp
8	109102	1	Fuse-Blade, 25 Amp
9	32160-029	1	Connector-Molded, 1F,1M

<i>Ref.</i>	<i>Part Number</i>	<i>Qty.</i>	<i>Description</i>
10	100-4918	1	Diode
11	32180-047	3	Clip-Tubing, Harness

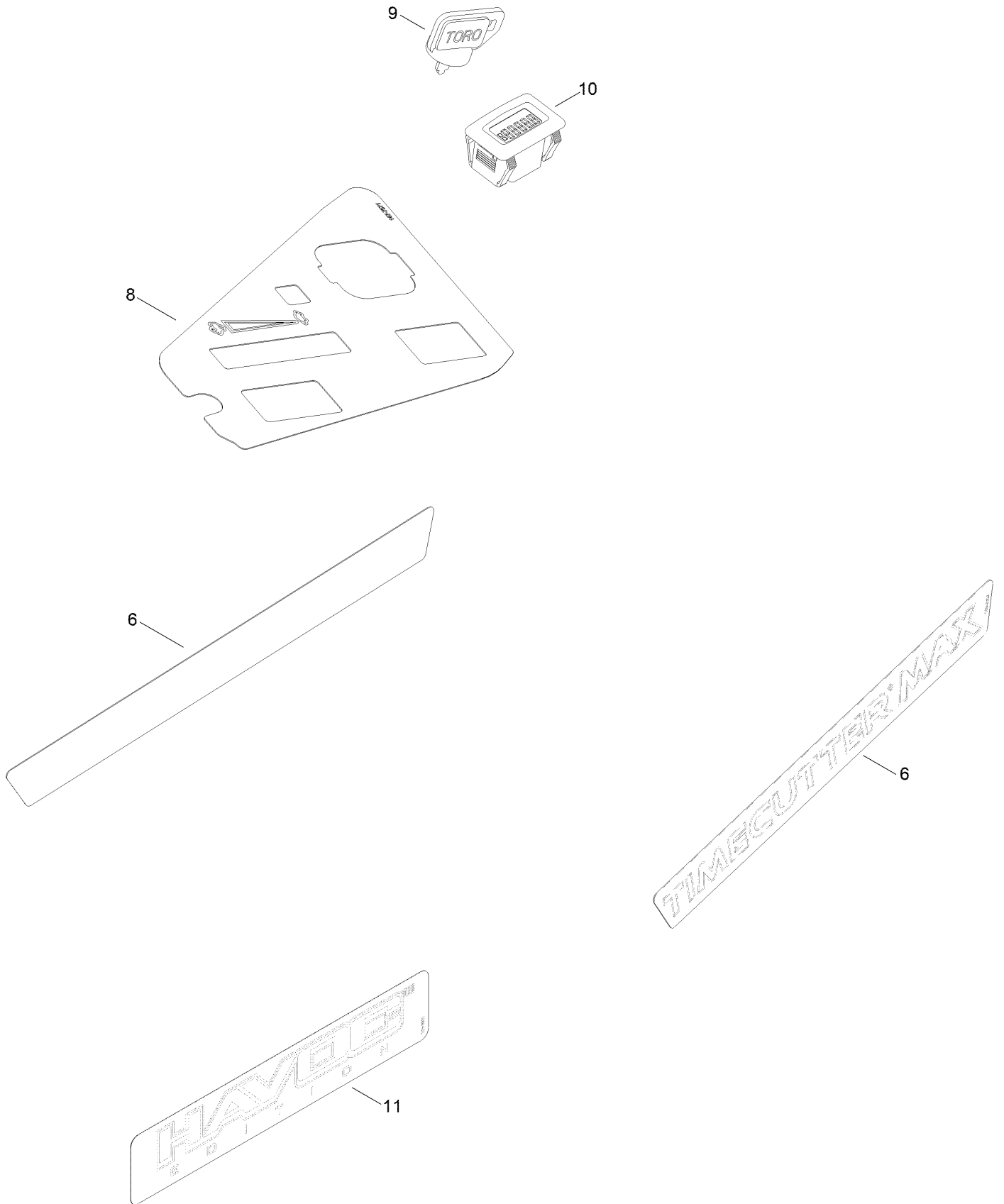
60 Inch Deck and Decal Assembly



60 Inch Deck and Decal Assembly (continued)

<i>Ref.</i>	<i>Part Number</i>	<i>Qty.</i>	<i>Description</i>	<i>Ref.</i>	<i>Part Number</i>	<i>Qty.</i>	<i>Description</i>
1	147-8748	1	60 In Deck & Decal ASM	23	138-9800-03	1	Baffle-Cutoff
1:2	147-3023	1	Decal-Danger Deflector	24	1-603299	3	Roller-Scalp, Anti
1:3	147-5152	2	Decal-Danger, Deck	25	138-7266	1	Spring-Return, Hook
1:4	147-3024	1	Decal-Scalp, Anti	26	138-7264	1	Spring-Extension
1:5	147-3025	1	Decal-Routing, Belt	27	147-2853	1	Cover-Belt, RH
6	147-7564	1	Decal - Iron Forged 60	28	147-2854	1	Cover-Belt, LH
7	139-2448-03	1	Baffle-Corner	29	147-2871	2	Grommet-Ball
8	138-9753	2	Screw	30	133-9289	2	Fitting-Washout
9	139-3214	3	Spindle ASM	30:2	133-9290	1	O-Ring
9:2	120-7935	2	Spacer	31	32144-4	4	Screw-HWH
9:3	138-9770	2	Bearing-Ball	32	95-3270	1	Connector-Hose
10	32144-41	12	Screw-Taptite	33	3219-6	3	Nut-Hex
11	117-7268	3	Shaft-Spindle	34	3256-24	2	Washer-Plain
12	133-1199	3	Pulley	35	323-9	4	Screw-HH
13	115-9649-03	3	Blade-Hi Flow	36	110-9981	1	Washer-Plain
14	145-0411	3	Bolt-Blade, Sems	37	139-1726	2	Washer-Rebound
15	132-9420	3	Pulley-Idler, Flat	38	119-4042	5	Nut-HF, NI
16	114-0463	2	Washer-Friction, Composite	39	3296-59	1	Nut-Lock, NI
17	115-4986	1	Spacer	40	112-3977	3	Bolt-Shoulder
18	138-7262	1	Arm-Idler (Mty/Wdm)	41	147-2872	2	Stud-Ball
19	147-2911	1	Belt-V (A Sec, 154.96 EI)	42	115-7373	2	Nut-Lock
20	137-2019	1	Rod-Pivot	43	120-7950	4	Screw-Torx
21	138-7502	1	Deflector-Discharge	44	130-8451	4	Rivet-Trifold
22	138-7268	1	Spring-Torsion				

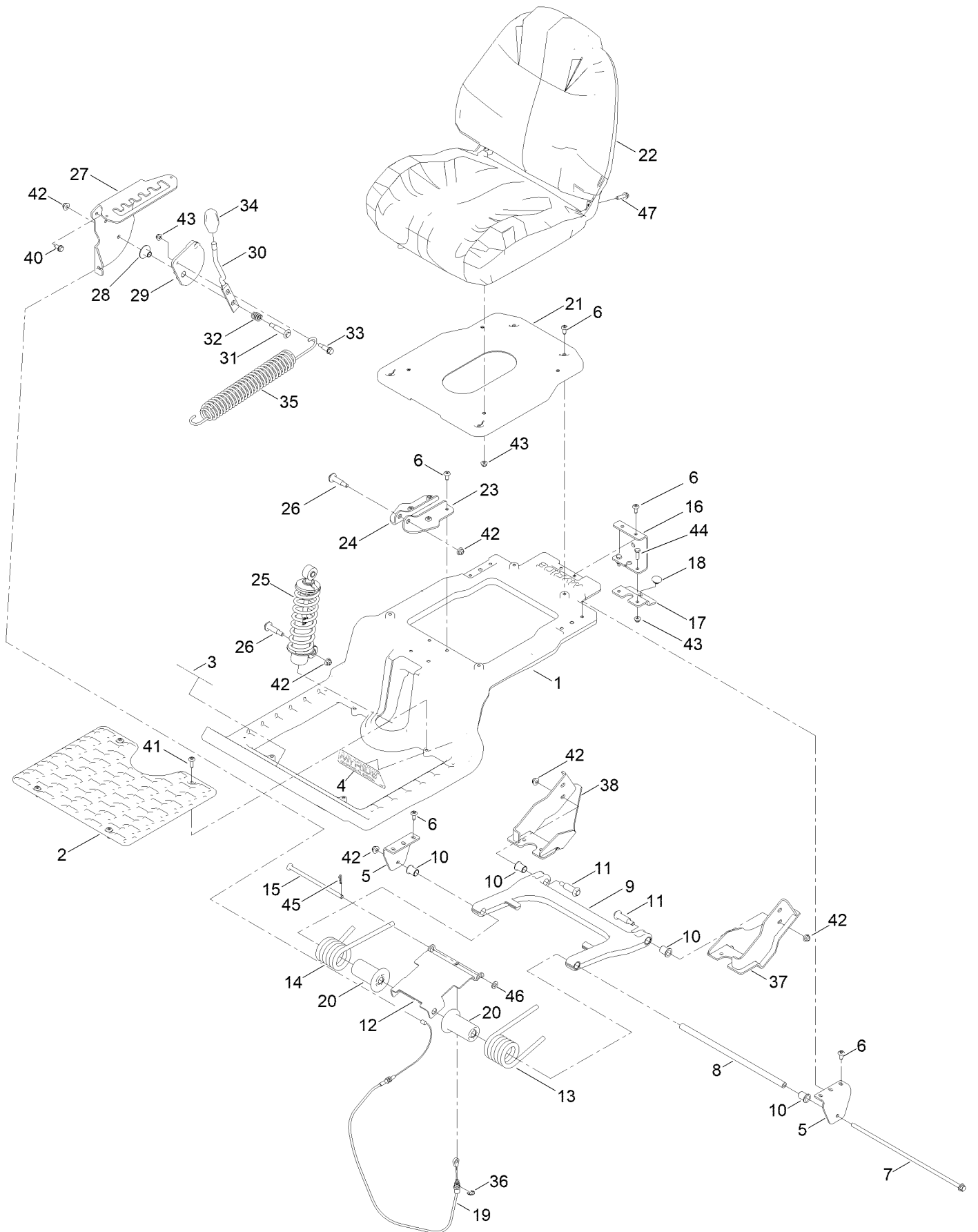
Model Specific Assembly



Model Specific Assembly (continued)

<i>Ref.</i>	<i>Part Number</i>	<i>Qty.</i>	<i>Description</i>	<i>Ref.</i>	<i>Part Number</i>	<i>Qty.</i>	<i>Description</i>
6	163-8026	2	Decal-Timecutter Max	10	139-6404	1	Hour Meter
8	147-7571	1	Decal - Control Panel	11	161-6641	1	Decal-Havoc
9	63-8360	1	Key-Ignition				

Seat Suspension Assembly

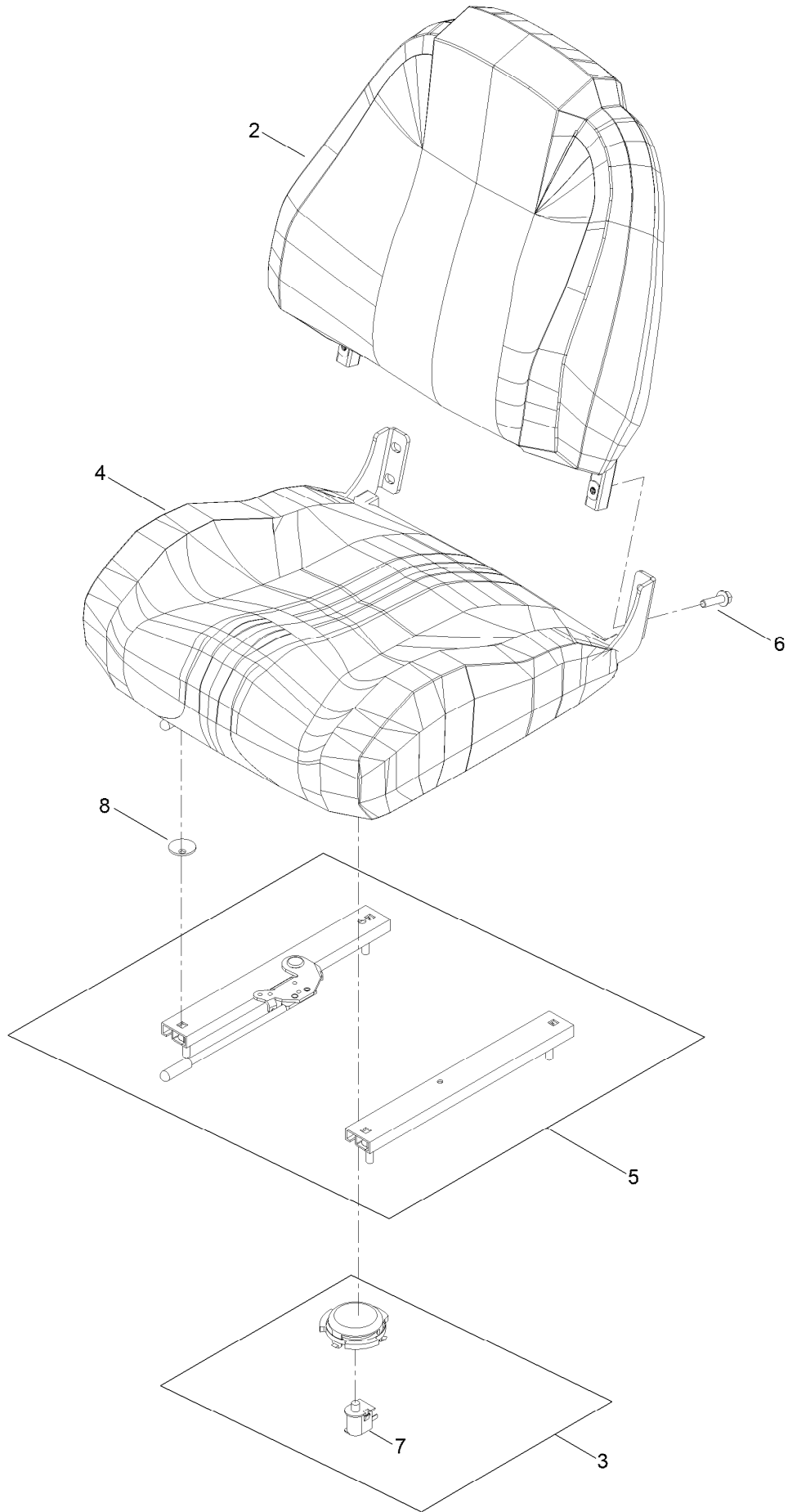


Seat Suspension Assembly (continued)

<i>Ref.</i>	<i>Part Number</i>	<i>Qty.</i>	<i>Description</i>	<i>Ref.</i>	<i>Part Number</i>	<i>Qty.</i>	<i>Description</i>
1	145-6394-05	1	Platform, Myride	25	139-2427	1	Shock/Spring ASM
2	145-6395-05	1	Platform, Myride	26	136-7198	2	Bolt-Shoulder
3	147-7662	1	Decal - Myride	27	145-6309-05	1	Bracket-Mr Gate
4	147-7575	1	Decal - Myride	28	139-5800	1	Bushing - Flange
5	138-7517	2	Bracket-Mount, Swing Arm	29	147-5171	1	Pulley-Cam
6	138-9753	14	Screw	30	147-5172	1	Lever-Adjustment, Threaded
7	138-7548	1	Screw-HHF	31	92-1057	1	Bolt-Shoulder
8	138-7549	1	Tube-Spacer	32	139-5858	1	Spring-Compression
9	145-6312	1	Arm-Swing	33	140-3759	1	Bolt-Shoulder,HHF
10	138-2573	4	Bushing-Flange	34	147-8715	1	Knob-Mr
11	138-2547	2	Bolt-Shoulder	35	138-9848	1	Spring-Extension
12	138-7566-03	1	Plate-Adjuster	36	32120-47	1	Ring-Retaining, External
13	137-1983	1	Spring-Torsion, LH	37	147-8721-03	1	Mount-Mr Swing Arm, LH
14	137-7018	1	Spring-Torsion, RH	38	147-8722-03	1	Mount-Mr Swing Arm, RH
15	138-9813	1	Rod-Adjustment	40	32144-70	3	Screw-HWHTF
16	138-9788	1	Bracket-Cable	41	147-7606	4	Screw-Spcl
17	139-2361-03	1	Bracket Lower	42	119-4042	6	Nut-HF, NI
18	135-0505	1	Bumper-Seat	43	119-4041	7	Nut-HF
19	147-7713	1	Cable-Adjustment, Myride	44	139-1716	2	Screw-HH
20	138-9776	2	Retainer-Spring	45	137-3083	1	Pin-Hair
21	145-6265-03	1	Pan-Seat	46	115-1166	1	Washer-Plain
22	164-0291	1	Seat ASM	47	119-4036	4	Screw-HHF ●
23	133-9318-03	1	Bracket-Shock Mount, Upper (LH)				
24	133-9319-03	1	Bracket-Shock Mount, Upper (RH)				

● Not illustrated

Seat Assembly No. 164-0291

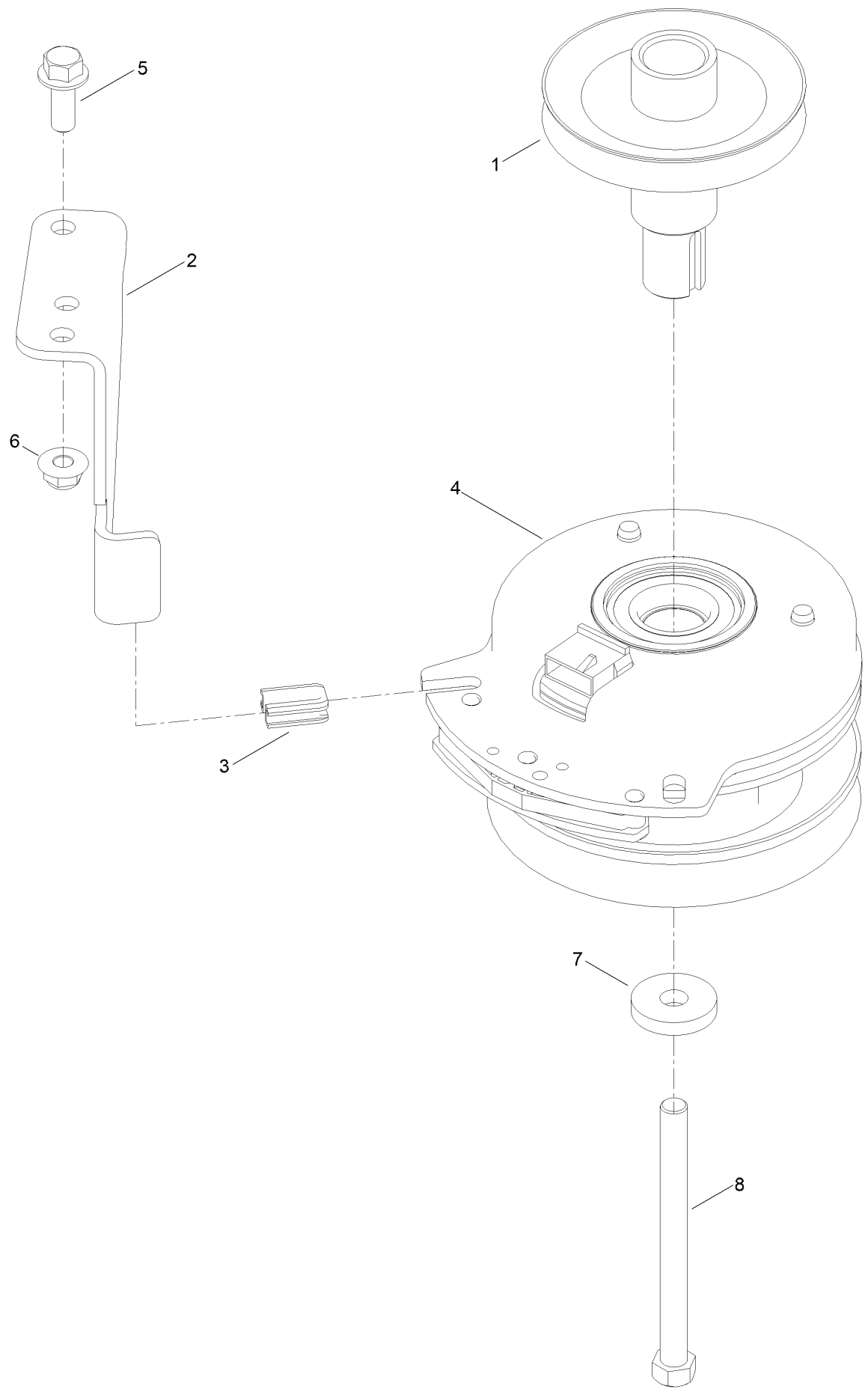


Seat Assembly No. 164-0291 (continued)

<i>Ref.</i>	<i>Part Number</i>	<i>Qty.</i>	<i>Description</i>
2	147-8735	1	Toro Back Cover
3	147-8736	1	Seat Switch Delta 6500-02 Open
4	147-8739	1	Toro Seat Cover

<i>Ref.</i>	<i>Part Number</i>	<i>Qty.</i>	<i>Description</i>
5	147-8740	1	Slide ASM-Seat
6	119-4036	4	Screw-HHF
7	82-2190	1	Switch-Bail
8	163-8027	4	Bellwasher-Seat

Clutch Assembly



Clutch Assembly (continued)

<i>Ref.</i>	<i>Part Number</i>	<i>Qty.</i>	<i>Description</i>	<i>Ref.</i>	<i>Part Number</i>	<i>Qty.</i>	<i>Description</i>
1	138-9792	1	Pulley-Engine	5	3234-42	1	Screw-HHF
2	137-7000	1	Stop-Clutch (Wide)	6	119-4042	1	Nut-HF, NI
3	120-2217	1	Isolator-Clutch	7	112843	1	Washer
4	127-3410	1	Clutch-PTO	8	3212-19	1	Screw-HH

Attachments and Accessories

For 77603 — TimeCutter MyRIDE 60in Zero Turn Riding Mower

Product Name	Model/Part
Residential Z Max 60in Bagger	79601
60IN RECYCLER KIT	163-3192
60 INCH BAGGING ENHANCEMENT KIT	163-3193
48/54/60 Striping Kit	148-1367
ROPS Kit	79487
Floormat Kit	147-8764
Assist Bar Kit	161-4450
Jack Mount	148-1283
Jack Kit	127-6666
Heavy Duty Spring Kit	161-4525
Transport Lock Kit	161-4510
Arm Rest Kit	147-8773
Toro Deluxe Rider Cover	490-7319
Led Light Kit	147-8757
Hydro Service Kit	144-5347
Slope Sensor Kit	79489
4-Cycle Fuel, Snow And Lawn 32oz Can	131-3823
Toro Premium Fuel Treatment 12oz Bottle	131-6572
Oil-30/10W-30 Synthetic (Quart)	138-6053
10W30 4-Cycle Engine Oil (32oz Bottle)	38280
Toro 4-Cycle SAE 30 Oil (32oz Bottle)	38903
Flat Free Caster Wheel Kit	145-0489
Blade-Hi Flow, 20.5in	115-9649-03P

Notes:

Notes:

Notes:



Count on it.