



Count on it.

Parts Catalog

**Titan® MyRIDE® 60in Zero Turn
Riding Mower**

Model No. 76609—Serial No. 420823971 and Up



Ordering Replacement Parts

To order replacement parts, please supply the part number, the quantity, and the description of each part desired.

Understanding Reference Numbers

Each identified part in an illustration has a reference number. The reference number for a part also appears in the parts list, along with other information about the part.

This catalog uses two special reference number formats, one to indicate parts in a service assembly and another to indicate the quantity of a given part in an illustration.

Service Assembly Reference Numbers

Parts in service assemblies have reference numbers in the form a:b. The a represents the reference number of the entire service assembly and the b represents a sequential number unique to each part within the service assembly.

For example, a wheel assembly might be identified by reference number 6, the tire by 6:1, the valve by 6:2, and the wheel by 6:3. When you order the assembly identified by reference number 6, you receive all parts identified by reference numbers 6:1, 6:2, and 6:3. However, you may also order any part individually. Reference numbers of this type appear in illustration and in parts lists.

Reference Numbers Indicating Quantity

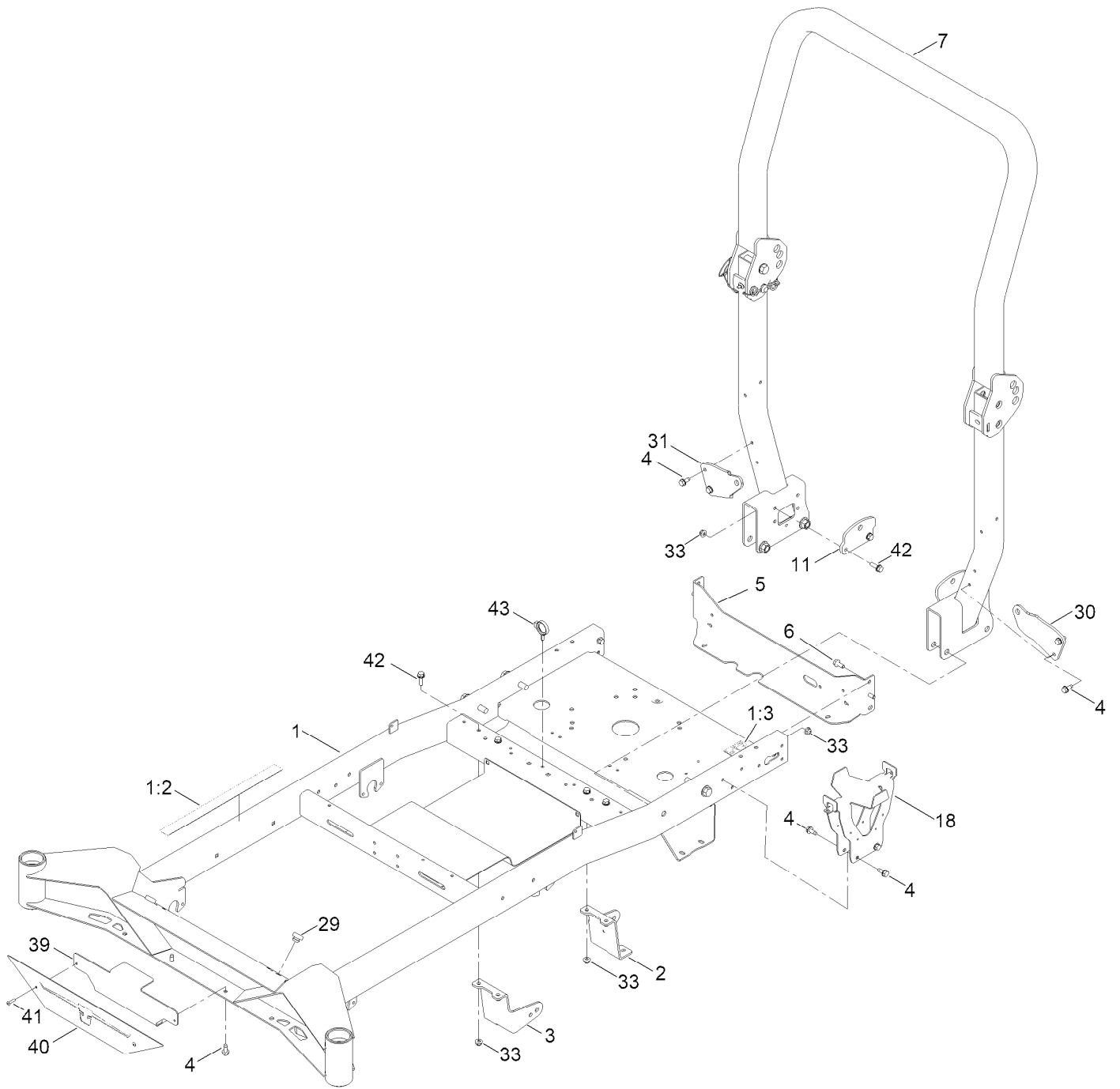
In an illustration, if a reference number indicates more than one part, the reference number has the form nX y. The n represents the quantity of the part, the X is the multiplication symbol, and the y represents the reference number.

For example, in an illustration, the reference number 2X 37 means that two of the parts identified by reference number 37 are indicated.

Contents

Frame Assembly	4
ROPS Assembly No. 164-0228	6
Transaxle Assembly	8
LH Hydro Assembly No. 161-6352	10
RH Hydro Assembly No. 161-6353	12
Styling Pod Assembly	14
Fuel System Assembly	16
Fuel Tank Assembly No. 161-6234	18
Motion Control Assembly	20
Caster Fork and Wheel Assembly	22
Wheel and Tire Assembly	24
Electrical Assembly	26
Decklift Assembly	28
Engine Assembly	30
Seat Suspension Assembly	32
Seat Assembly No. 163-6014	34
60 Inch Deck Assembly	36
Decal Assembly No. 161-9768SP	38
Idler Arm Assembly No. 161-6406	40
Attachments and Accessories	42

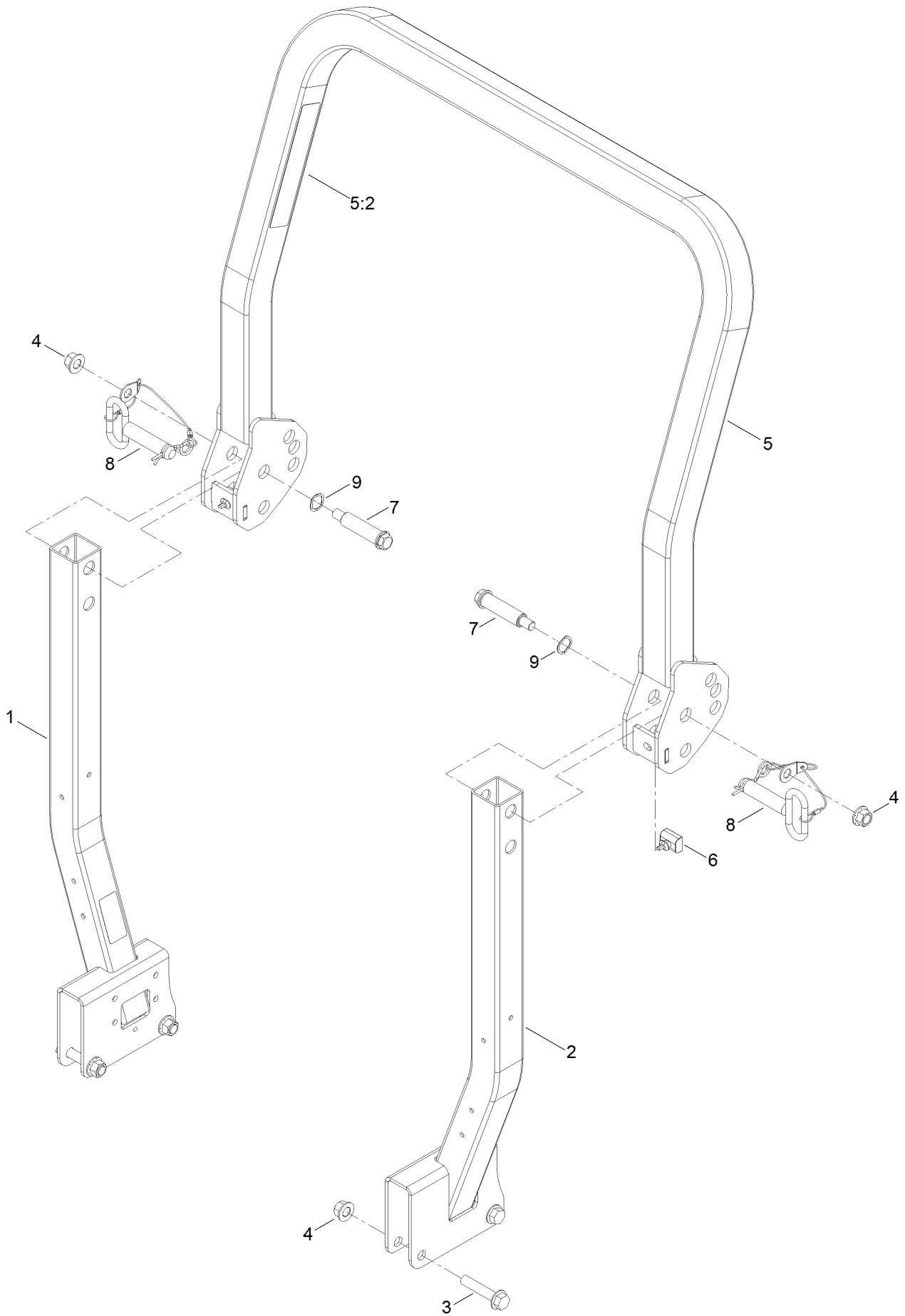
Frame Assembly



Frame Assembly (continued)

<i>Ref.</i>	<i>Part Number</i>	<i>Qty.</i>	<i>Description</i>	<i>Ref.</i>	<i>Part Number</i>	<i>Qty.</i>	<i>Description</i>
1	163-2385	1	Frame W/Decals ASM	18	161-6314-03	1	Tray-Battery
1:2	161-6647	1	Decal-Warning	29	140-3460	2	Bumper-Rubber
1:3	161-6207	1	Decal-Bypass	30	161-6337-03	1	Plate-Shock, LH
2	161-6506-01	1	Mount-Drive, LH	31	161-6338-03	1	Plate-Shock, RH
3	161-6507-01	1	Mount-Drive, RH	33	119-4041	12	Nut-HF
4	32144-70	10	Screw-HWHTF	39	147-2878-01	1	Plate-Backer
5	163-3137-03	1	Plate-Mount, Rear	40	147-2879-03	1	Logo-Plate-Front
6	139-2598	4	Screw-HHF	41	130-8451	2	Rivet-Trifold
7	164-0228	1	ASM-ROPS	42	139-2596	8	Screw-HHF
11	163-3104-03	2	Plate-Pivot, Myride	43	104-2490	1	Clamp-Hose

ROPS Assembly No. 164-0228

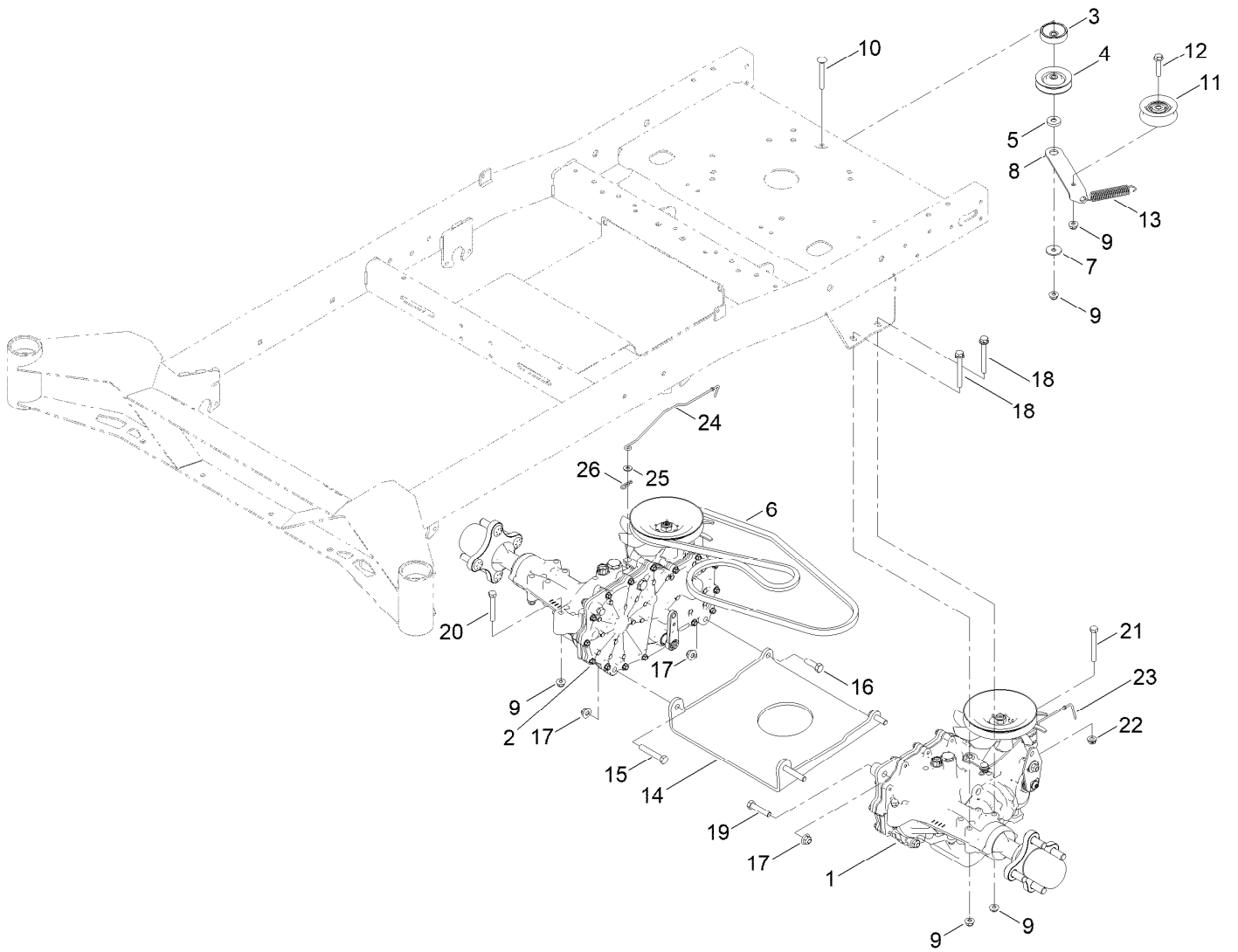


ROPS Assembly No. 164-0228 (continued)

<i>Ref.</i>	<i>Part Number</i>	<i>Qty.</i>	<i>Description</i>	<i>Ref.</i>	<i>Part Number</i>	<i>Qty.</i>	<i>Description</i>
1		1	RH ROPS ASM [black] ●	5:2	107-3069	1	Decal-Warning
2		1	LH ROPS ASM [black] ●	6	109-5337	2	Bumper-ROPS
3	127-7444	4	Screw-HHF	7	161-4505	2	Bolt-Shoulder
4	139-1689	6	Nut-HF	8	161-4477	2	ROPS Pin ASM
5		1	Tube-ROPS, Upper ASM ●	9	119-4164	2	Washer-Wave

● Not serviced separately

Transaxle Assembly



Transaxle Assembly (continued)

<i>Ref.</i>	<i>Part Number</i>	<i>Qty.</i>	<i>Description</i>	<i>Ref.</i>	<i>Part Number</i>	<i>Qty.</i>	<i>Description</i>
1	161-6352	1	LH Hydro Transaxle ASM	14	161-9754-03	1	Plate-Hydro
2	161-6353	1	RH Hydro Transaxle ASM	15	139-2589	2	Screw-HH
3	138-9809	1	Spacer	16	136-8684	2	Screw-HH
4	68-0030	1	Idler	17	119-4042	6	Nut-HF, NI
5	138-7277	1	Spacer-Arm, Idler	18	138-7590	4	Screw-HHF
6	145-6363	1	V-Belt (A Sec 66.30 EI)	19	139-2602	2	Screw-HH
7	5-4460	1	Washer-Pivot	20	322-11	2	Screw-HH
8	147-2925	1	Arm-Idler	21	145-6388	2	Screw-HH Spcl
9	119-4041	8	Nut-HF	22	139-2574	2	Nut-HF
10	139-2588	1	Screw-CARR	23	147-2987	1	Rod-Bypass, LH
11	138-7597	1	Pulley-Idler, Flat	24	147-2986	1	Rod-Bypass, RH
12	140-5024	1	Screw-HHF	25	119-8952	2	Washer-Spcl
13	137-7040	1	Spring-Return, Pedal	26	137-3083	2	Pin-Hair

LH Hydro Assembly No. 161-6352

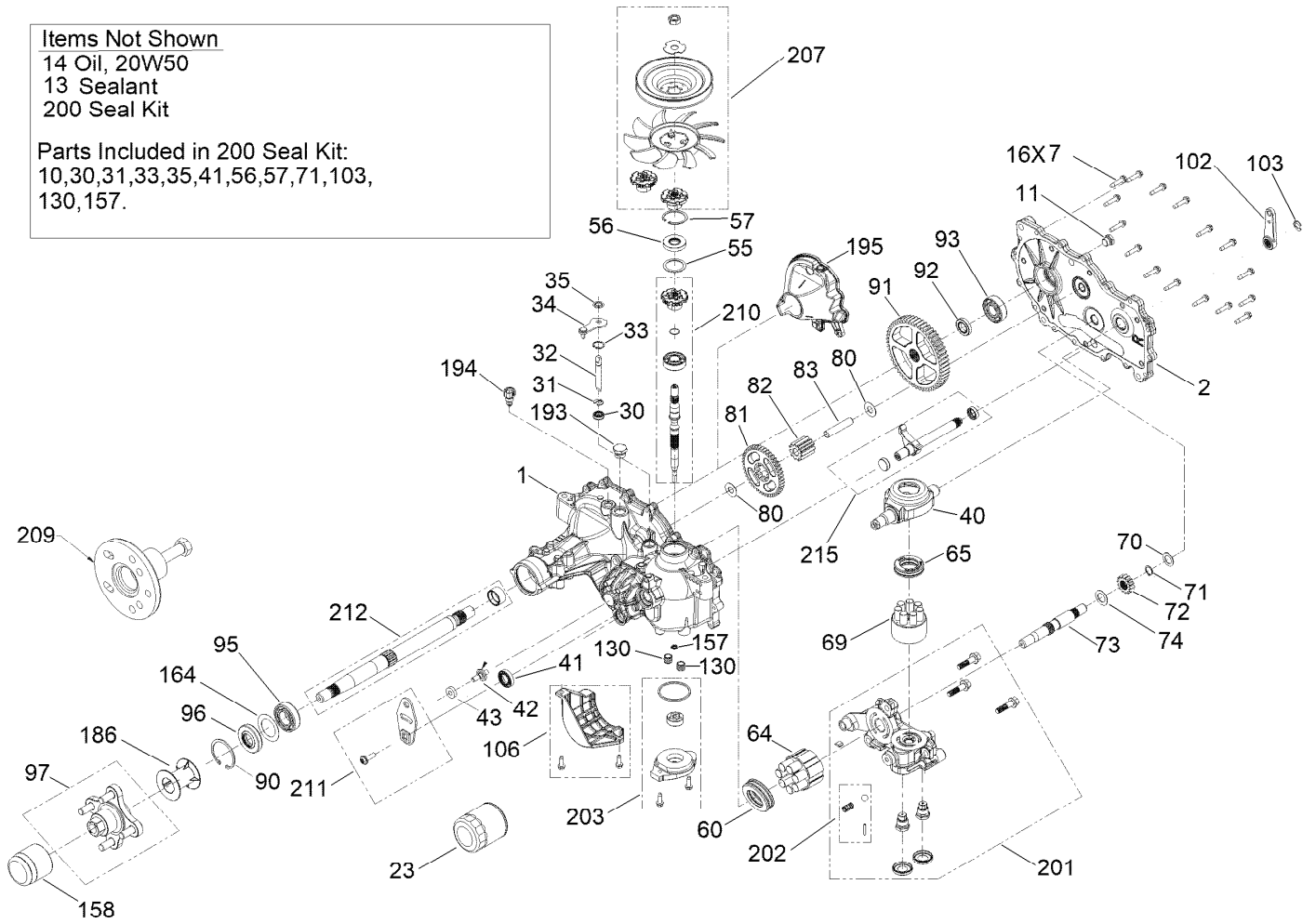
Items Not Shown

14 Oil, 20W50

13 Sealant

200 Seal Kit

Parts Included in 200 Seal Kit:
10,30,31,33,35,41,56,57,71,103,
130,157.



LH Hydro Assembly No. 161-6352 (continued)

<i>Ref.</i>	<i>Part Number</i>	<i>Qty.</i>	<i>Description</i>	<i>Ref.</i>	<i>Part Number</i>	<i>Qty.</i>	<i>Description</i>
1	140-8345	1	RH Main Housing Kit	81	114-1692	1	Gear-45T
2	140-8349	1	RH Side Cover Kit	82	120-7974	1	Gear-11T
7	117-5359	1	Screw-HHF	90	104-2169	1	Ring-Retaining
11	135-1140	1	Plug-Straight	91	114-1694	1	Gear-54T
13	104-2147	1	Sealant, Silicone - Non-Flammable	92	120-7975	1	Spacer
23	109-3321	1	Element-Oil Filter, HYD	93	135-1361	1	Bearing-Ball
30	139-7497	1	Seal-Lip	95	130-8477	1	Bearing-Ball
31	106-8677	1	Ring-Retaining, External	96	104-2144	1	Seal
32	114-1685	1	Rod-Bypass	97	116-3872	1	Hub-Offset
33	106-8679	1	Ring-Retaining, Internal	102	125-0021	1	Handle-Brake
34	112-9852	1	Arm-Bypass	103	131-0906	1	Ring-Retaining, EXT
35	106-8681	1	Ring-Retaining, External	106	139-7499	1	Filter Guard Kit
40	104-5304	1	Swashplate-Trunnion	130	126-3251	1	Tube-Charge
41	104-5313	1	Seal-Lip	157	126-1930	1	Gerotor Seal Kit
42	104-2116	1	Stud	158	116-6214	1	Cap-Axle, Long
43	112-9853	1	Puck-Friction	164	121-5745	1	Spacer
55	104-5308	1	Spacer	186	116-6213	1	Tube-Axle
57	104-5309	1	Ring-Retaining	193	140-8343	1	Plug
60	112-4154	1	Bearing-Thrust	194	140-8356	1	Breather Fitting ASM
64	139-4074	1	Cylinder Block ASM Kit	195	140-8357	1	RH Internal Expansion Tank ASM
65	94-6922	1	Bearing-Thrust	200	140-8351	1	Seal Kit
69	110-8561	1	Pump Block ASM	202	114-8464	1	Charge Relief Kit
70	104-5339	1	Washer-Flat	203	114-8465	1	Charge Kit
71	104-5340	1	Ring-Retaining	207	135-7343	1	Fan And Pulley Kit
72	131-0905	1	Gear-14T	209	114-8467	1	Puller-Hub, 4 Bolt
73	114-1691	1	Shaft-Motor	210	139-7502	1	Input Shaft Kit
74	104-5360	1	Washer	211	117-5362	1	Control Arm Kit
80	94-1933	1	Washer	215	140-8352	1	Inboard Kit

RH Hydro Assembly No. 161-6353

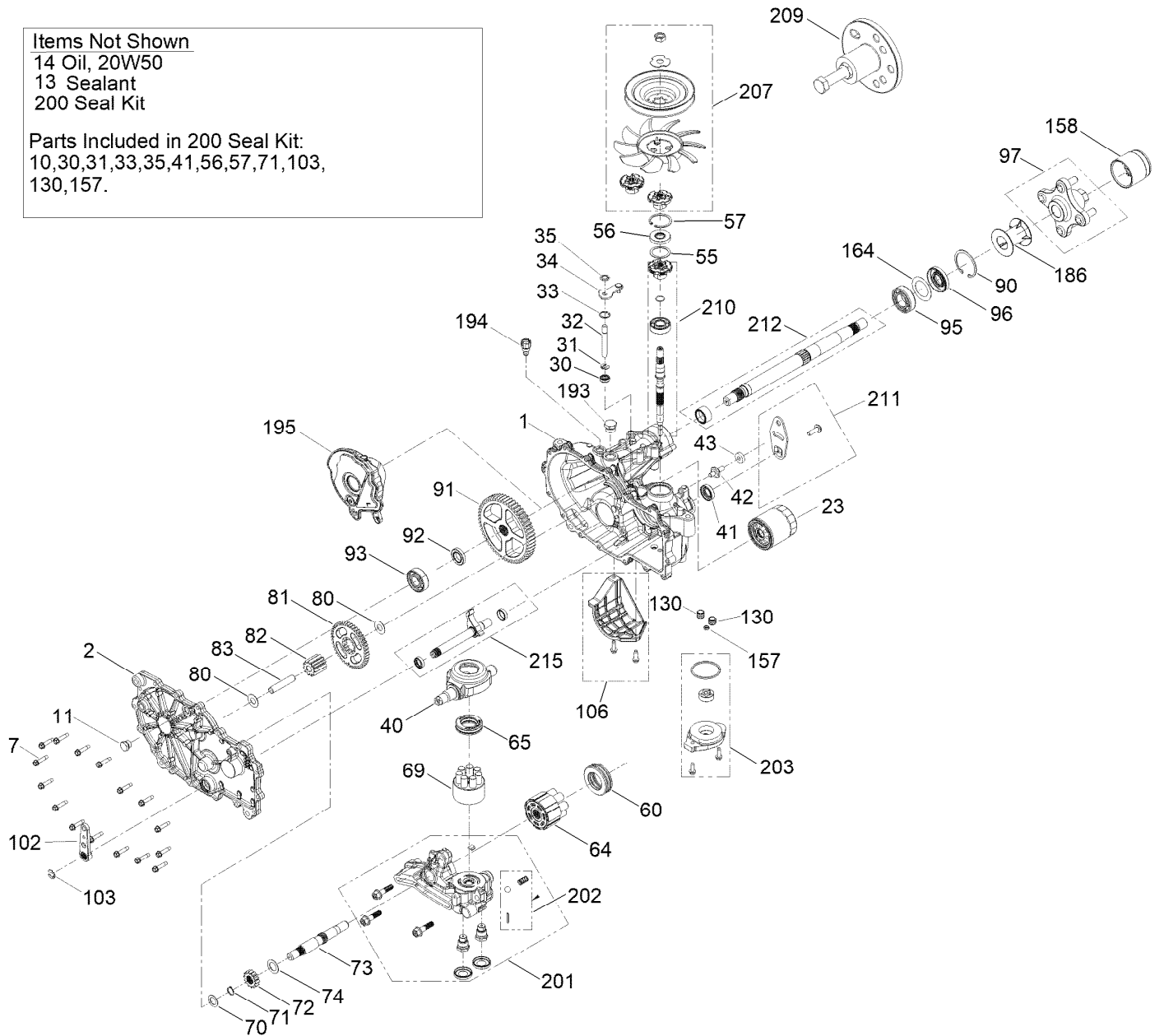
Items Not Shown

14 Oil, 20W50

13 Sealant

200 Seal Kit

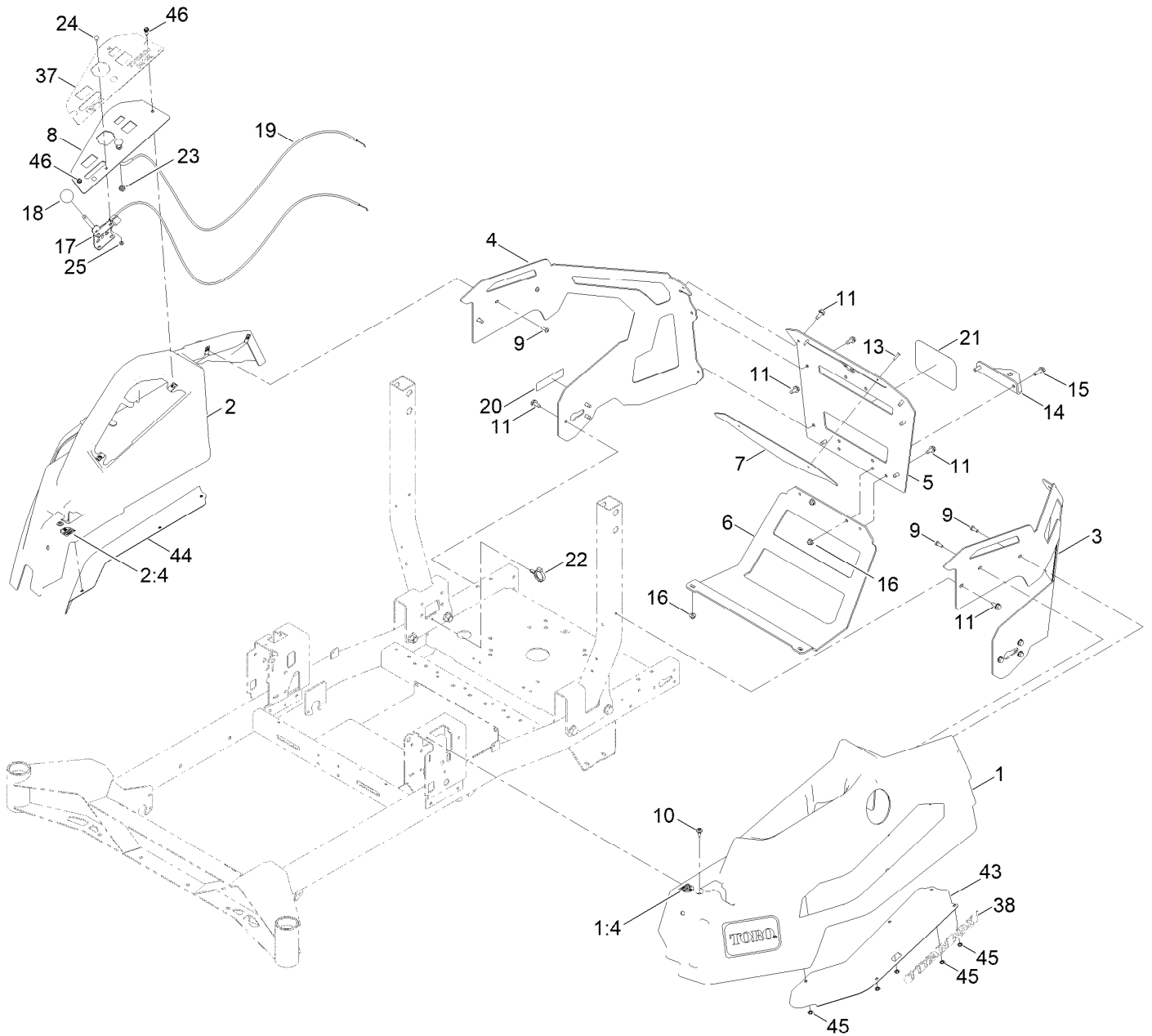
Parts Included in 200 Seal Kit:
10,30,31,33,35,41,56,57,71,103,
130,157.



RH Hydro Assembly No. 161-6353 (continued)

<i>Ref.</i>	<i>Part Number</i>	<i>Qty.</i>	<i>Description</i>	<i>Ref.</i>	<i>Part Number</i>	<i>Qty.</i>	<i>Description</i>
1	140-8347	1	LH Main Housing Kit	81	114-1692	1	Gear-45T
2	140-8350	1	LH Side Cover Kit	82	120-7974	1	Gear-11T
7	117-5359	1	Screw-HHF	90	104-2169	1	Ring-Retaining
11	135-1140	1	Plug-Straight	91	114-1694	1	Gear-54T
13	104-2147	1	Sealant, Silicone - Non-Flammable	92	120-7975	1	Spacer
23	109-3321	1	Element-Oil Filter, HYD	93	135-1361	1	Bearing-Ball
30	139-7497	1	Seal-Lip	95	130-8477	1	Bearing-Ball
31	106-8677	1	Ring-Retaining, External	96	104-2144	1	Seal
32	114-1685	1	Rod-Bypass	97	116-3872	1	Hub-Offset
33	106-8679	1	Ring-Retaining, Internal	102	125-0021	1	Handle-Brake
34	107-2490	1	Arm-Bypass	103	131-0906	1	Ring-Retaining, EXT
35	106-8681	1	Ring-Retaining, External	106	139-7498	1	Filter Guard Kit
40	104-5304	1	Swashplate-Trunnion	130	126-3251	1	Tube-Charge
41	104-5313	1	Seal-Lip	157	126-1930	1	Gerotor Seal Kit
42	104-2116	1	Stud	158	116-6214	1	Cap-Axle, Long
43	112-9853	1	Puck-Friction	164	121-5745	1	Spacer
55	104-5308	1	Spacer	186	116-6213	1	Tube-Axle
57	104-5309	1	Ring-Retaining	193	140-8343	1	Plug
60	112-4154	1	Bearing-Thrust	194	140-8356	1	Breather Fitting ASM
64	139-4074	1	Cylinder Block ASM Kit	195	140-8358	1	LH Internal Expansion Tank ASM
65	94-6922	1	Bearing-Thrust	200	140-8351	1	Seal Kit
69	110-8561	1	Pump Block ASM	202	114-8464	1	Charge Relief Kit
70	104-5339	1	Washer-Flat	203	114-8465	1	Charge Kit
71	104-5340	1	Ring-Retaining	207	135-7343	1	Fan And Pulley Kit
72	131-0905	1	Gear-14T	209	114-8467	1	Puller-Hub, 4 Bolt
73	114-1691	1	Shaft-Motor	210	139-7502	1	Input Shaft Kit
74	104-5360	1	Washer	211	117-5362	1	Control Arm Kit
80	94-1933	1	Washer	215	140-8353	1	Inboard Kit

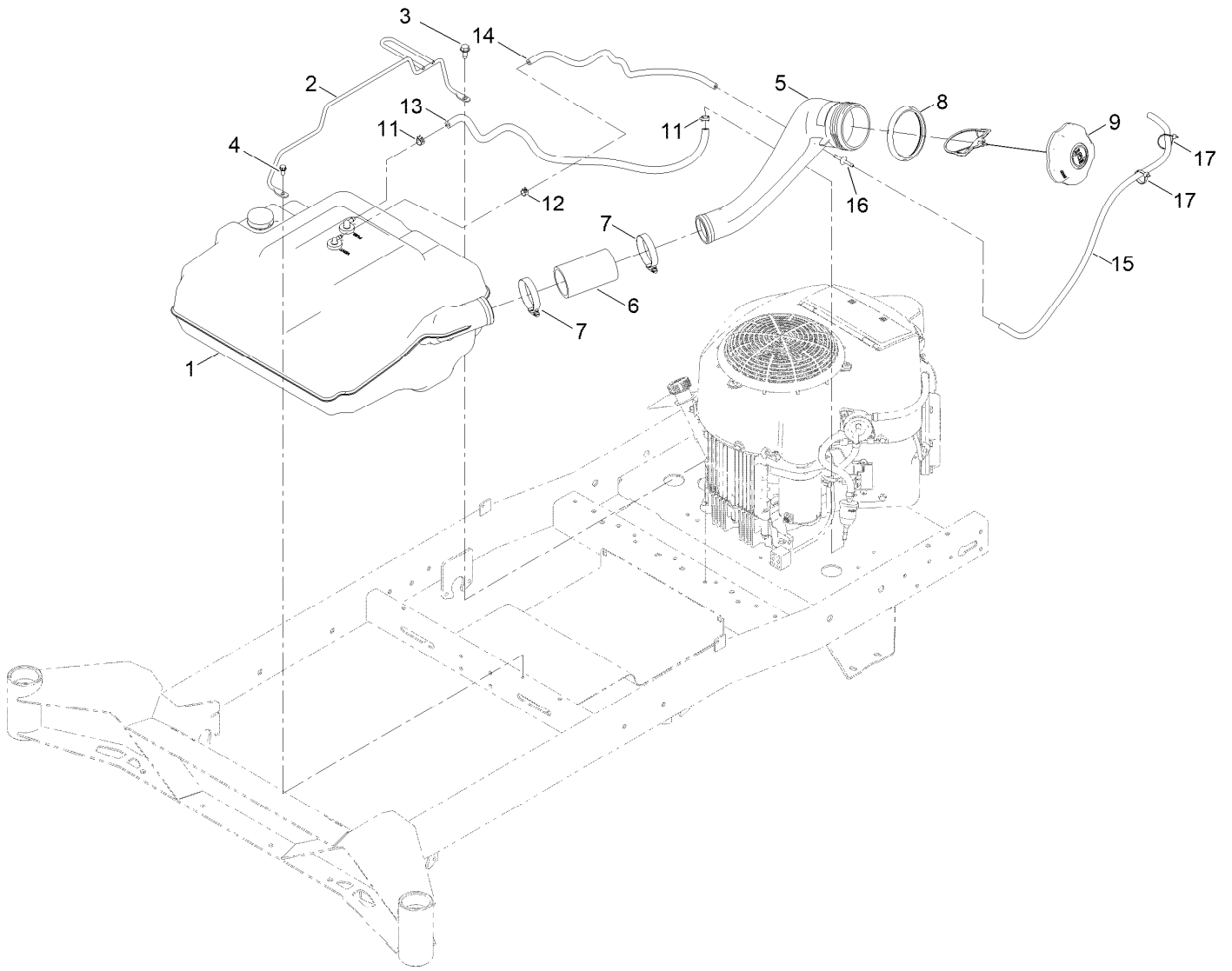
Styling Pod Assembly



Styling Pod Assembly (continued)

<i>Ref.</i>	<i>Part Number</i>	<i>Qty.</i>	<i>Description</i>	<i>Ref.</i>	<i>Part Number</i>	<i>Qty.</i>	<i>Description</i>
1	161-6389	1	Titan Max LH Pod ASM	16	119-4041	4	Nut-HF
1:4	139-2395	1	Decal-Control Lever, LH	17	139-6734	1	Cable-Control, Throttle
2	161-6390	1	Titan Max RH Pod ASM	18	1-603175	1	Knob-Ball
2:4	139-2394	1	Decal-Control Lever, RH	19	115-2756	1	Choke Control ASM
3	161-6315-01	1	Guard-Engine, LH	20	142-5864	1	Decal-Spark Arrester
4	161-6316-01	1	Guard-Engine, RH	21	99-4693	1	Decal
5	147-2998-03	1	Guard-Engine	22	104-2490	1	Clamp-Hose
6	163-8620-03	1	Guard-Muffler, Titan	23	3220-3	1	Nut-HJ
7	147-2999-01	1	Plate-Backer	24	135-1929	2	Bolt-CARR
8	161-6203-03	1	Panel-Control	25	3296-2	2	Nut-Lock, NI
9	138-0689	4	Screw-PH	37	161-9793	1	Decal-Panel, Control
10	120-7950	2	Screw-Torx	38	161-9794	2	Decal-Titan Max
11	32144-70	16	Screw-HWHTF	43	161-6293-01	1	Plate-Pod, LH
13	130-8451	2	Rivet-Trifold	44	161-6294-01	1	Plate-Pod, RH
14	117-1232-03	1	Bracket-Hitch	45	32112-6	10	Nut-Push
15	139-2596	2	Screw-HHF	46	49-2040	2	Screw-HWHTF

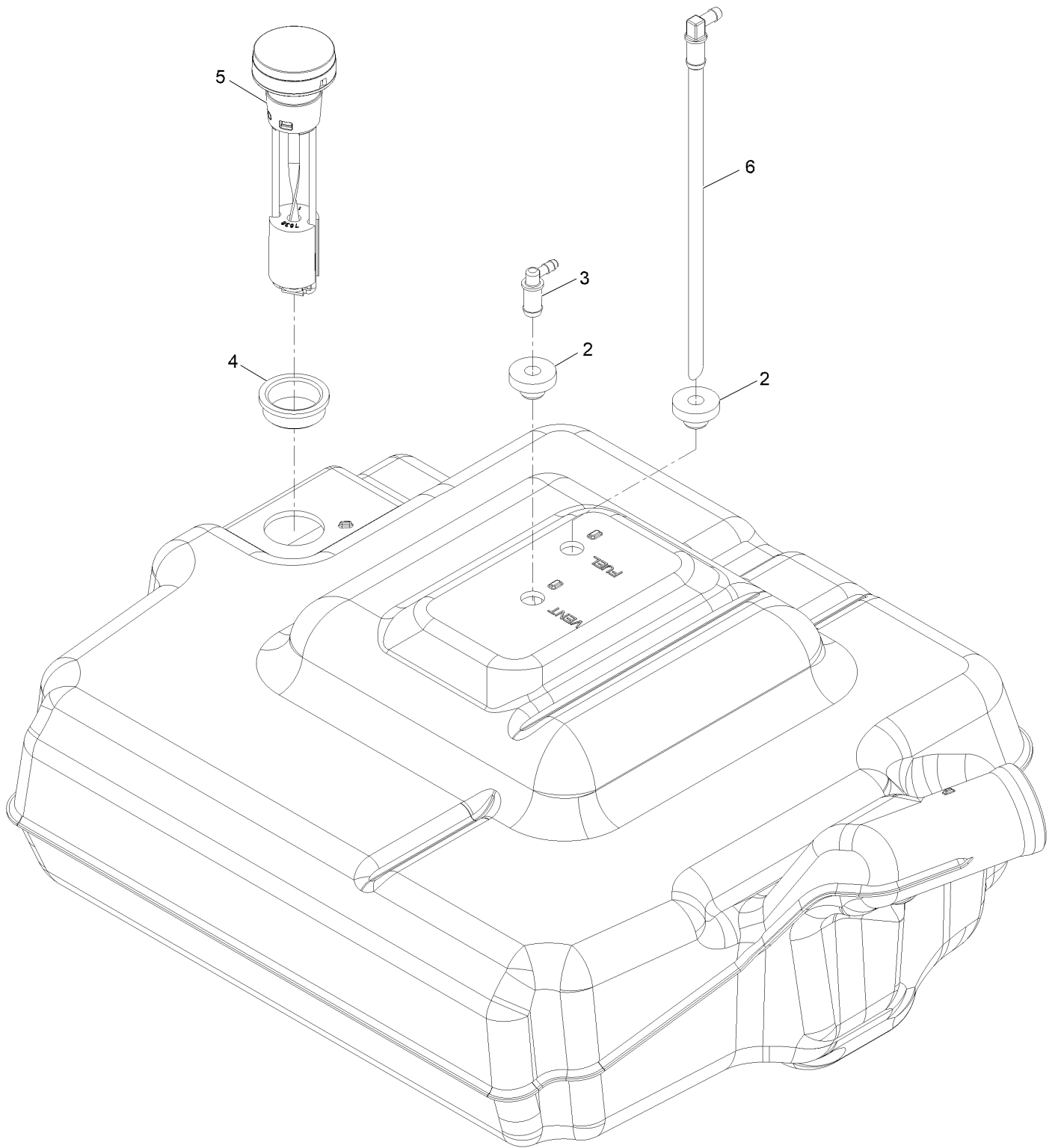
Fuel System Assembly



Fuel System Assembly (continued)

<i>Ref.</i>	<i>Part Number</i>	<i>Qty.</i>	<i>Description</i>	<i>Ref.</i>	<i>Part Number</i>	<i>Qty.</i>	<i>Description</i>
1	161-6234	1	Tank ASM-Fuel	9	163-5914	1	Cap Fuel, Ratcheting
2	161-6494	1	Hold Down ASM	11	2412-98	2	Clamp-Hose
3	32144-70	1	Screw-HWHTF	12	2412-80	1	Clamp-Hose
4	32144-4	1	Screw-HWH	13	110-1872	1	Hose-Fuel
5	161-6235	1	Neck-Filler, Fuel	14	143-2545	1	Hose-Fuel
6	145-4698	1	Hose-Filler, Fuel	15	121-0780	1	Hose-Fuel
7	2412-130	2	Clamp-Hose	16	144-1983	1	Adapter Orifice
8	147-7712	1	Ring-Retaining	17	3290-378	2	Tie-Cable

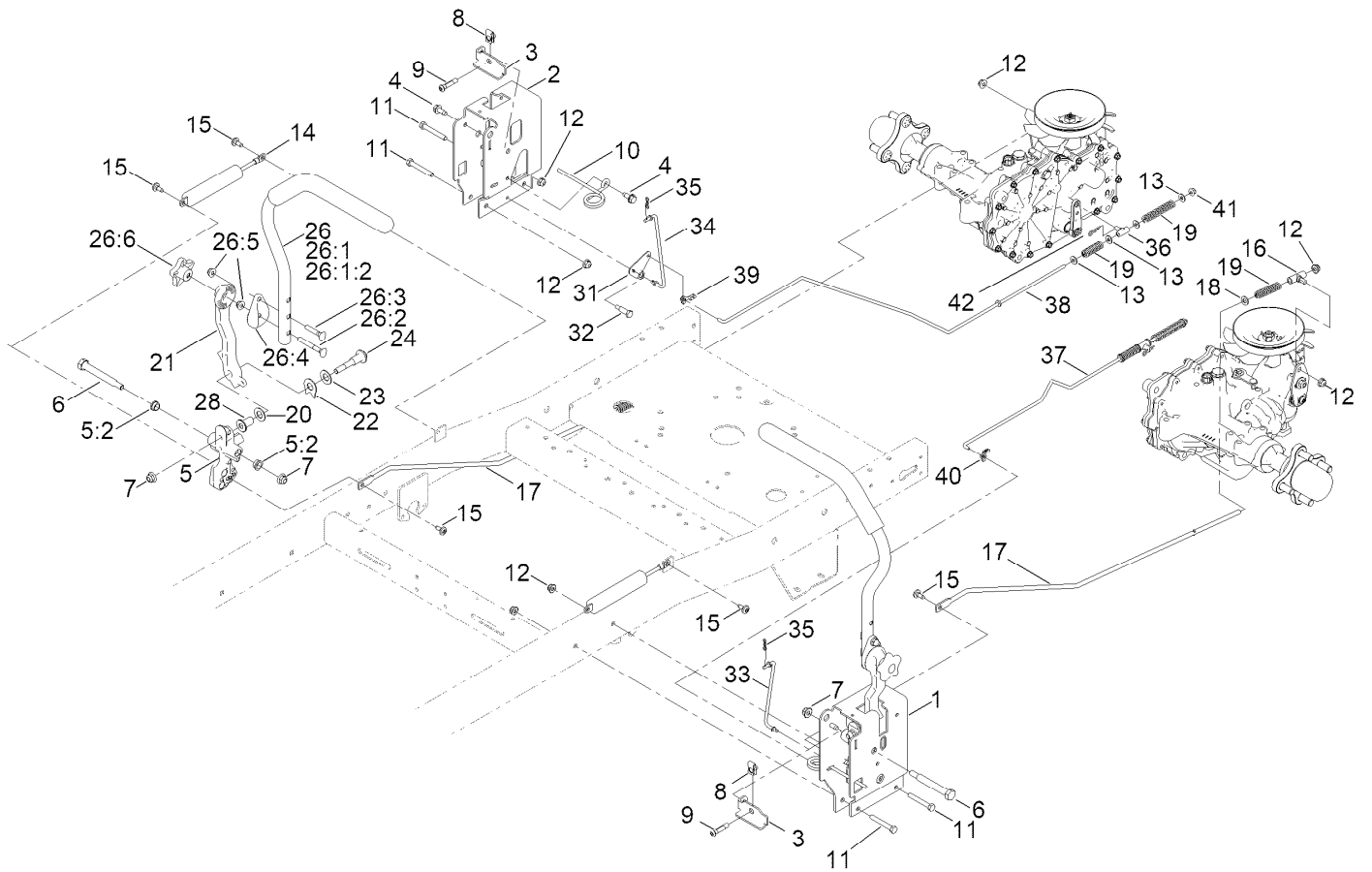
Fuel Tank Assembly No. 161-6234



Fuel Tank Assembly No. 161-6234 (continued)

<i>Ref.</i>	<i>Part Number</i>	<i>Qty.</i>	<i>Description</i>	<i>Ref.</i>	<i>Part Number</i>	<i>Qty.</i>	<i>Description</i>
2	46-6560	2	Bushing	5	161-6415	1	Remote Gauge ASM
3	161-6609	1	Fitting-Elbow 90	6	161-6317	1	Fitting - Pickup, Fuel
4	133-9269	1	Grommet-Fuel				

Motion Control Assembly

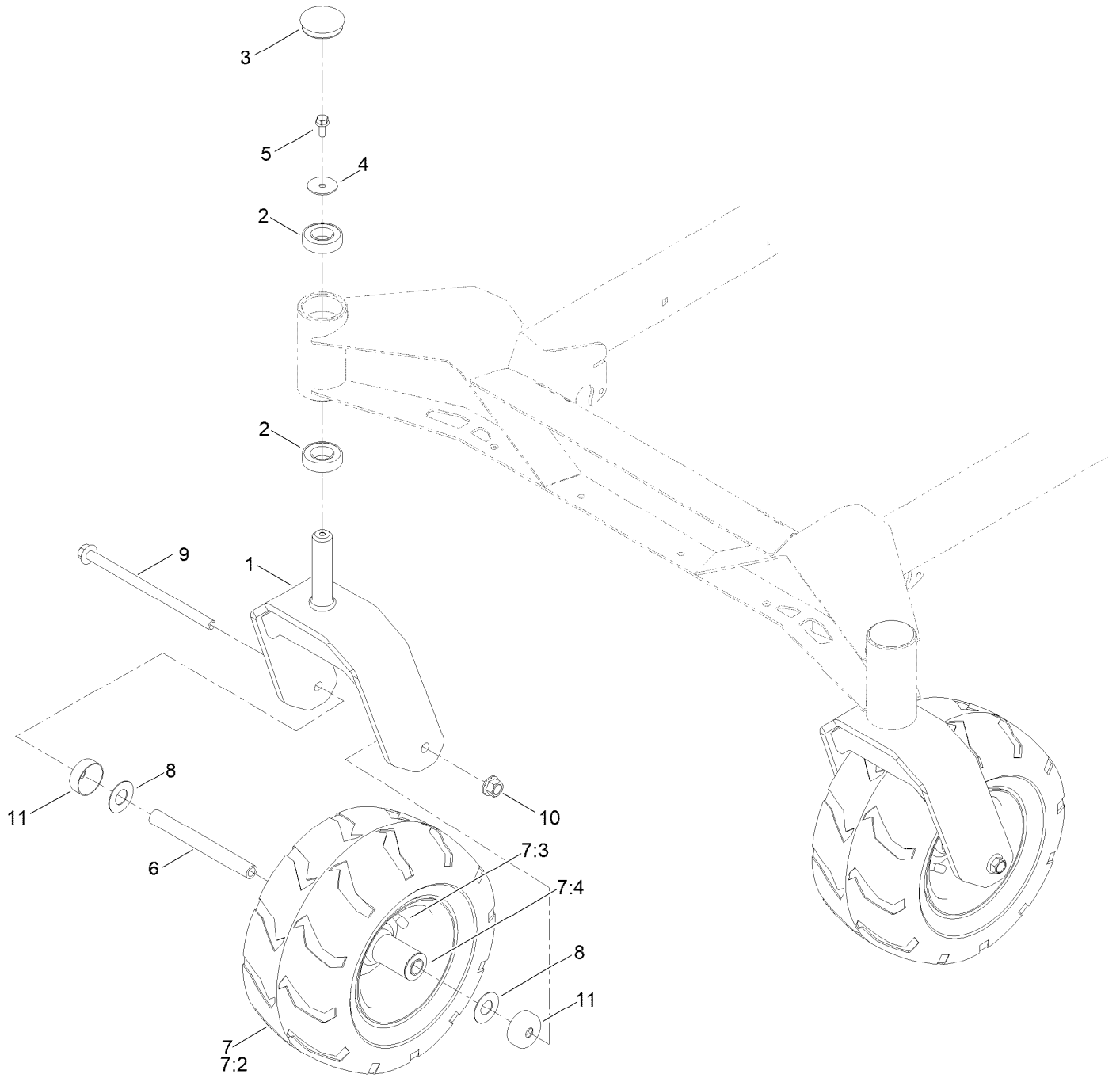


Motion Control Assembly (continued)

<i>Ref.</i>	<i>Part Number</i>	<i>Qty.</i>	<i>Description</i>	<i>Ref.</i>	<i>Part Number</i>	<i>Qty.</i>	<i>Description</i>
1	163-5941-03	1	Control Box - LH	23	119-8925	2	Washer-Belleville
2	163-5942-03	1	Control Box - RH	24	133-9682	2	Screw-Hfh
3	163-3189	2	Adjustment Plate-Control Box	26	161-6523	2	Handle-Control, ASM
4	32144-70	4	Screw-HWHTF	26:1		1	Handle-Control, ●
5	164-3311	2	Pivot Arm ASM	26:1:2	147-3029	1	Grip
5:2	163-3186	2	Bushing-Flange	26:2	145-6366	1	Screw-Handle
6	115-5099	2	Bolt-Pivot	26:3	137-3008	1	Screw-Handle
7	119-4042	4	Nut-HF, NI	26:4	147-5192-05	1	Disc-Adjustment Handle, 32 Teeth
8	112-3306	2	Nut	26:5	138-8401	2	Nut-HF
9	126-4299	2	Screw-HSBH	26:6	117-5976	1	Knob-Handle
10	145-6253	2	Spring-Torsion	28	163-2335	2	Spacer-Pivot
11	322-11	4	Screw-HH	31	161-6420	2	Bellcrank
12	119-4041	8	Nut-HF	32	145-6364	2	Bolt-Shoulder
13	119-8952	8	Washer-Spcl	33	145-4607	1	Link-Brake, LH
14	161-6514	2	Damper - Non Cavitating	34	145-6238	1	Link-Brake, RH
15	120-7950	6	Screw-Torx	35	119-1414	2	Pin-Cotter, Locking
16	138-7218	2	Mount-Rod, Hydro	36	161-6635	2	Mount-Pivot
17	161-9725	2	Rod-Hydro	37	145-0408	1	Rod-Brake LH
18	120-9683	2	Washer-Plain	38	145-0407	1	Rod-Brake, RH
19	138-7252	6	Spring-Compression	39	144-1815	1	Clip-Rod, RH (7R, 1/4In)
20	163-7396	4	Washer-Friction	40	144-1816	1	Clip-Rod, LH (7L, 1/4In)
21	147-5191-05	2	Arm-Control, 32 Teeth	41	119-4040	2	Nut-HF, NI
22	142-8478	2	Spacer, Anti-Rotation	42	137-3083	2	Pin-Hair

● Not serviced separately

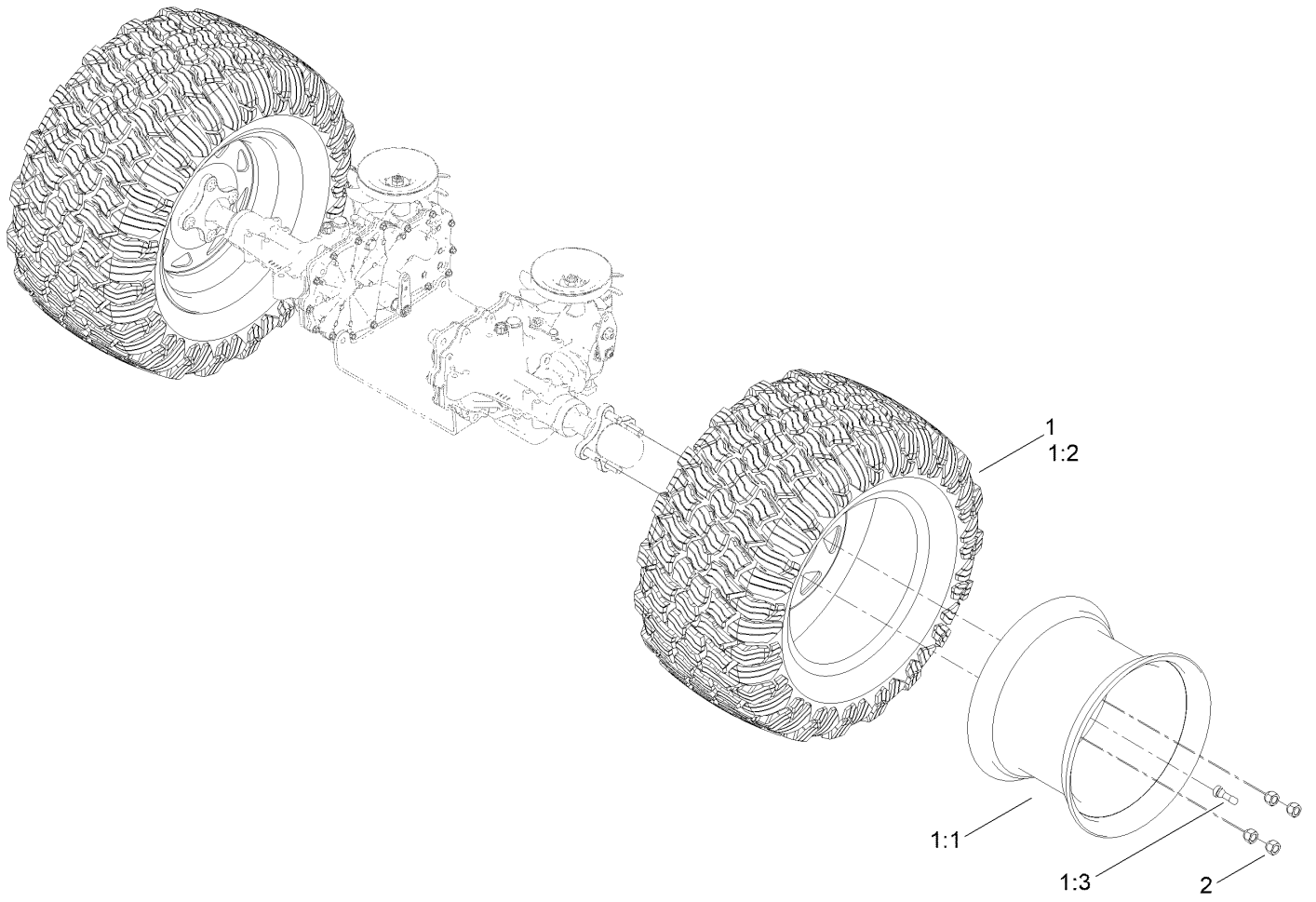
Caster Fork and Wheel Assembly



Caster Fork and Wheel Assembly (continued)

<i>Ref.</i>	<i>Part Number</i>	<i>Qty.</i>	<i>Description</i>	<i>Ref.</i>	<i>Part Number</i>	<i>Qty.</i>	<i>Description</i>
1	145-6375-01	2	Castor Fork [red]	7:2	147-7648	1	Tire 13X6.5-6, Treaded
2	109-3678	4	Bearing-Ball	7:3	232-27	1	Stem-Valve
3	144-0375	2	Cap-Grease	7:4	147-7652	2	Bearing
4	115-1151	2	Washer-Flat	8	136-5590	4	Washer
5	100-1668	2	Screw-HHF	9	147-2939	2	Screw-HHF
6	133-4487	2	Spanner-Wheel	10	139-1689	2	Nut-HF
7	147-7647	2	Tire And Wheel ASM	11	138-7208	4	Guard-Seal

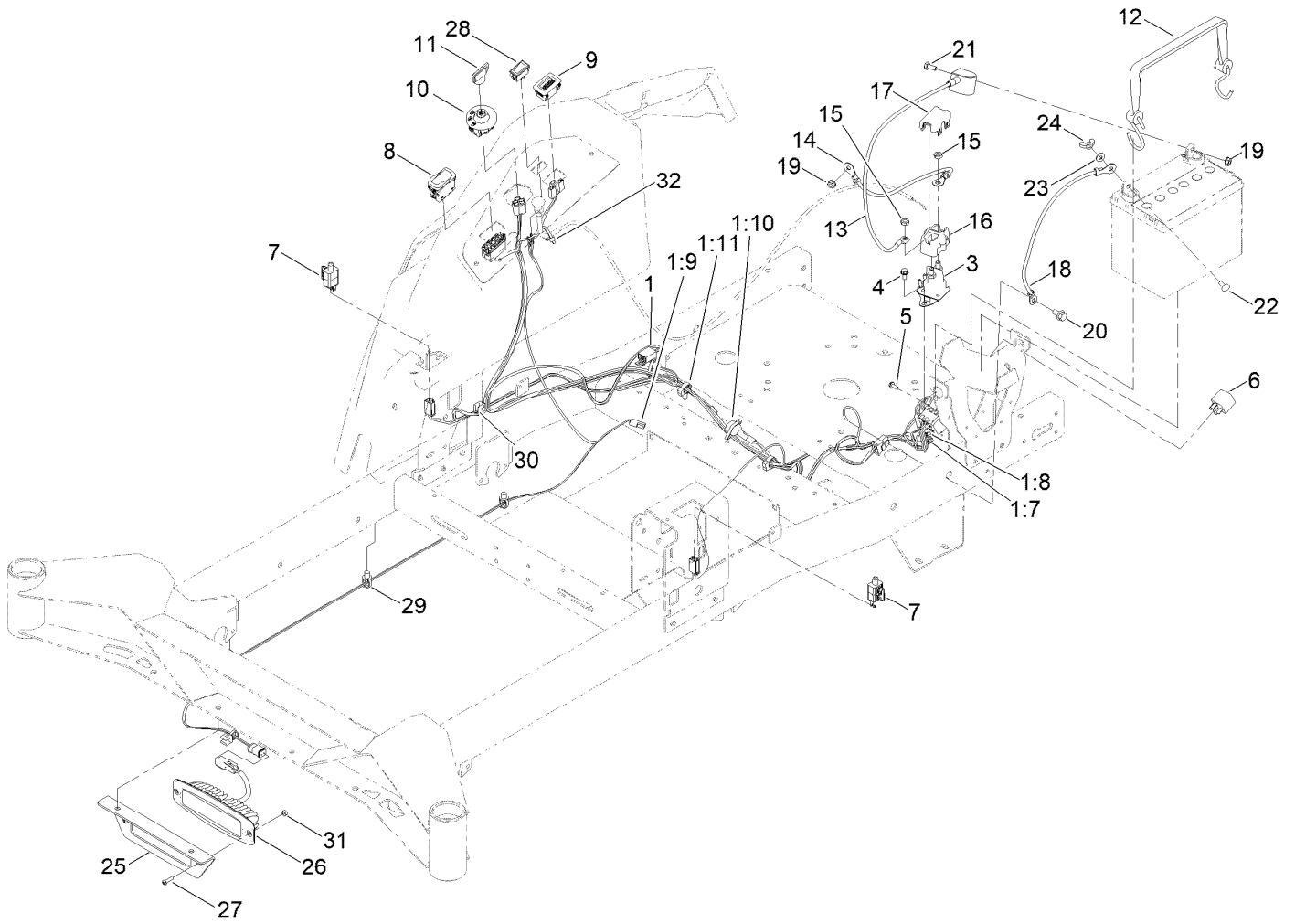
Wheel and Tire Assembly



Wheel and Tire Assembly (continued)

<i>Ref.</i>	<i>Part Number</i>	<i>Qty.</i>	<i>Description</i>	<i>Ref.</i>	<i>Part Number</i>	<i>Qty.</i>	<i>Description</i>
1	161-9726	2	Wheel And Tire ASM	1:3	232-27	1	Stem-Valve
1:1	140-7969	1	Wheel	2	139-2564	8	Nut-Lug
1:2	161-9727	1	Tire				

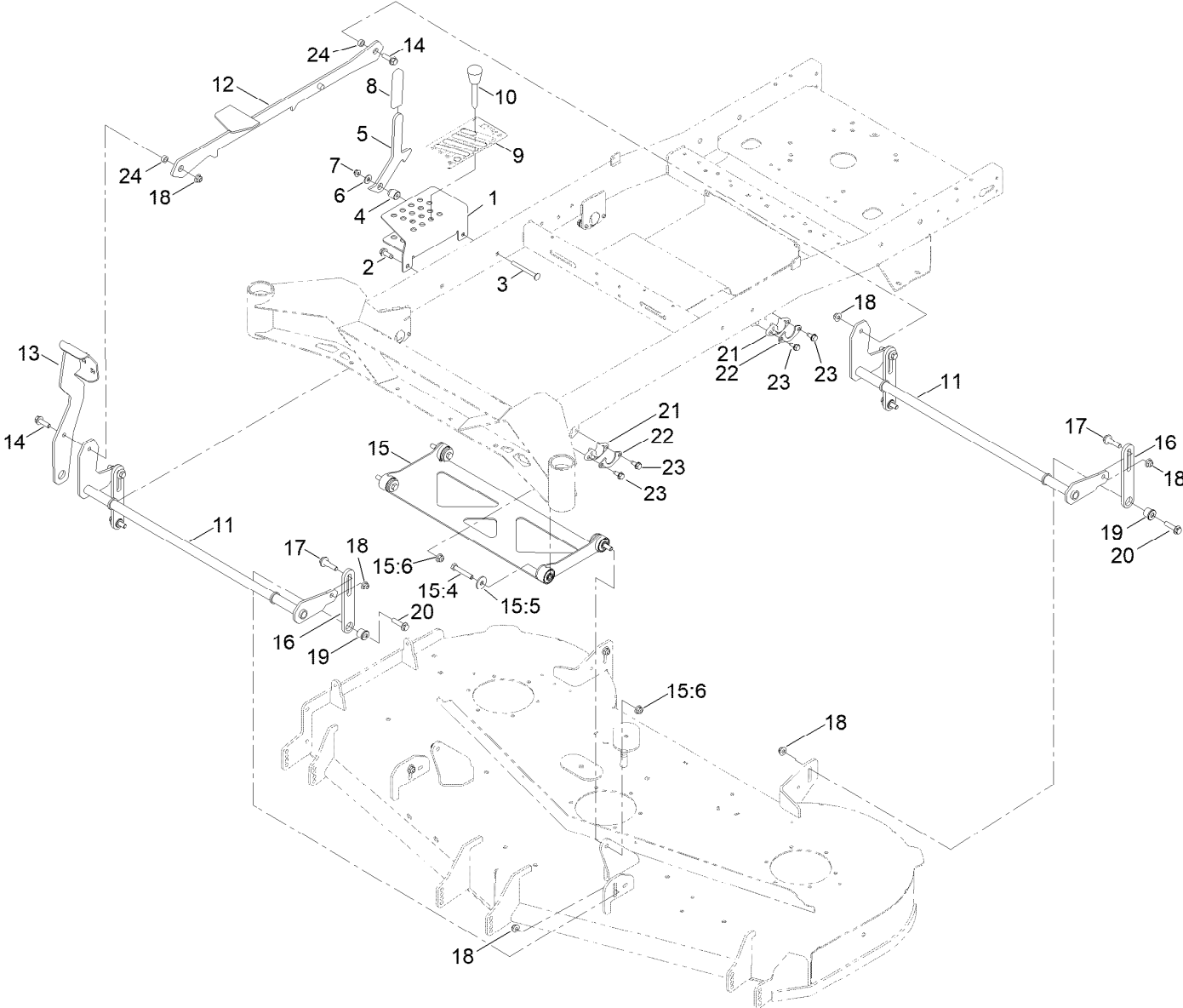
Electrical Assembly



Electrical Assembly (continued)

<i>Ref.</i>	<i>Part Number</i>	<i>Qty.</i>	<i>Description</i>	<i>Ref.</i>	<i>Part Number</i>	<i>Qty.</i>	<i>Description</i>
1	145-6382	1	Harness-Wire, Main	16	140-2080	1	Cover-Solenoid
1:7	109355	1	Fuse-Blade, 15 Amp	17	140-2081	1	Cap-Solenoid
1:8	109102	1	Fuse-Blade, 25 Amp	18	119-8899	1	Cable-Battery, Black
1:9	32160-029	1	Connector-Molded, 1F,1M	19	139-2575	2	Nut-HF
1:10	100-4918	1	Diode	20	33104-016	1	Screw-HHF
1:11	32180-047	3	Clip-Tubing, Harness	21	137-3041	1	Screw-HH
3	117-1197	1	Solenoid	22	137-3053	1	Screw-CARR
4	32144-4	2	Screw-HWH	23	119-8952	1	Washer-Spcl
5	139-1713	1	Screw-Thd Roll	24	32103-22	1	Nut-Wing
6	1-643275	1	Relay	25	163-2331-03	1	Bracket-Mounting, Light
7	110-6765	2	Switch	26	139-8089	1	Light - Flush Mount
8	139-6368	1	Switch-Rocker, On-None-On	27	104-2408	2	Screw-HSBH
9	139-6404	1	Hour Meter	28	92-8875	1	Switch-Rocker
10	137-4100	1	Switch-Ignition	29	161-9748	1	Harness-Wire, Light Harness
11	63-8360	1	Key-Ignition	30	32180-082	1	Clip-Edge W/Tie, Perpendicular
12	139-2381	1	Strap-Rubber	31	3296-2	2	Nut-Lock, NI
13	147-2941	1	Cable-Battery,Red	32	3290-378	1	Tie-Cable
14	121-0711	1	Cable-Battery, Positive				
15	139-2580	2	Nut-HJ				

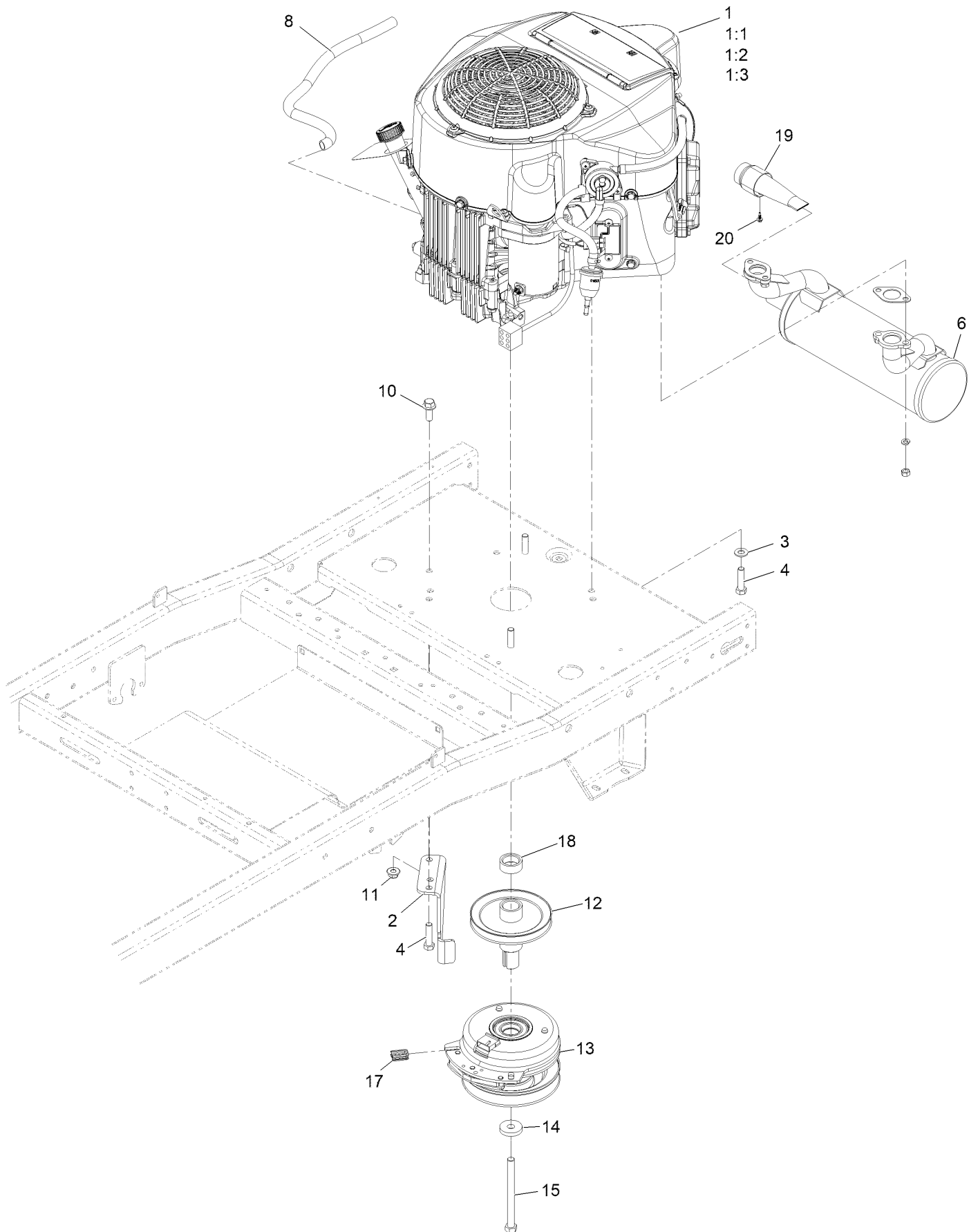
Decklift Assembly



Decklift Assembly (continued)

<i>Ref.</i>	<i>Part Number</i>	<i>Qty.</i>	<i>Description</i>	<i>Ref.</i>	<i>Part Number</i>	<i>Qty.</i>	<i>Description</i>
1	163-5960-01	1	Bracket-HOC [red]	15	161-6214	1	Deck Strut ASM
2	139-2428	1	Screw-HWH	15:4	323-11	4	Screw-HH
3	138-0741	1	Screw-CARR	15:5	2844	4	Washer
4	145-6282	1	Spacer-Stepped	15:6	119-4042	4	Nut-HF, NI
5	145-6279	1	Plate-Transport Lock	16	163-2370-01	4	Link-HOC
6	137-3082	1	Washer-Plain	17	130-0742	4	Bolt-Shoulder
7	119-4041	1	Nut-HF	18	119-4042	10	Nut-HF, NI
8	140-0413	1	Grip-Handle	19	161-9819	4	Bushing-Deck Lift
9	147-2867	1	Decal-HOC	20	139-2553	4	Screw-HHF
10	140-2146	1	HOC Pin ASM	21	139-5872	4	Bearing-Flange
11	161-4632-01	2	Pivot ASM-Decklift [red]	22	138-7204	4	Gusset-Deck Lift
12	145-6262-01	1	Link ASM-HOC [red]	23	32144-70	8	Screw-HWHTF
13	145-6278-01	1	Pedal ASM [red]	24	140-2093	2	Spacer
14	119-4061	2	Screw-HHF				

Engine Assembly



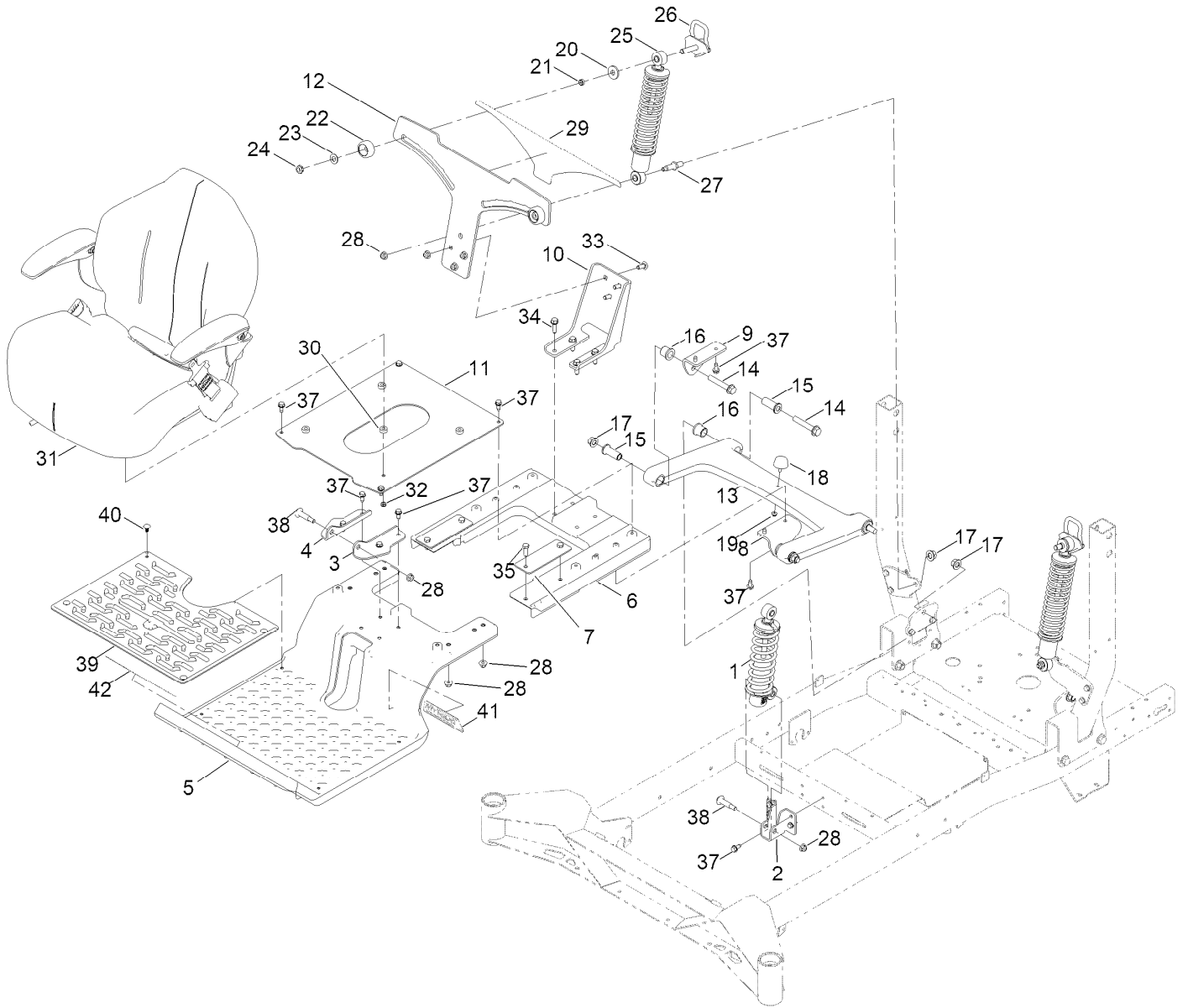
Engine Assembly (continued)

<i>Ref.</i>	<i>Part Number</i>	<i>Qty.</i>	<i>Description</i>	<i>Ref.</i>	<i>Part Number</i>	<i>Qty.</i>	<i>Description</i>
1		1	Engine-Kawasaki, Fr730V-S09-R ●■	11	119-4042	1	Nut-HF, NI
1:1	1-653313	2	Gasket-Exhaust	12	138-9831	1	Pulley-Engine
1:2	114-3549	4	Nut-M8	13	127-3410	1	Clutch-PTO
1:3	114-3550	4	Washer-Spring Lock M8	14	112843	1	Washer
2	137-7000	1	Stop-Clutch (Wide)	15	3212-19	1	Screw-HH
3	3256-24	3	Washer-3/8 SAE	17	120-2217	1	Isolator-Clutch
4	323-50	4	Bolt-HH	18	163-5952	1	Spacer-Engine Pulley
6	126-4360	1	Muffler	19	146-1025	1	Spark Arrestor, 1.5"
8	106-7022	1	Hose-Oil Drain	20	126-0275	1	Screw-HWH Tek #8-16 X 1/2
10	3234-42	1	Screw HHF 3/8-16 X 1				

● Not serviced separately

■ Obtain parts from www.kawpower.com

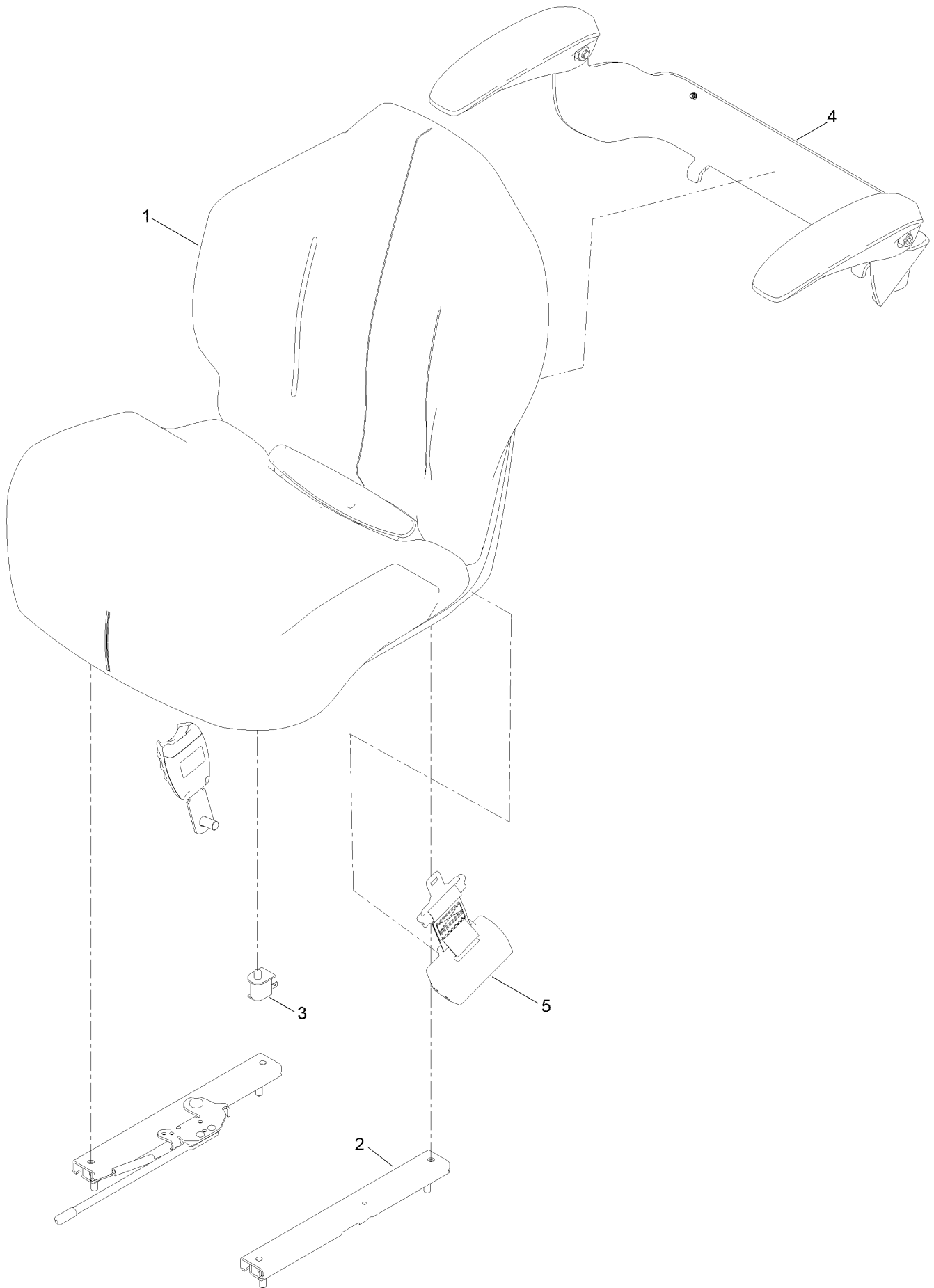
Seat Suspension Assembly



Seat Suspension Assembly (continued)

<i>Ref.</i>	<i>Part Number</i>	<i>Qty.</i>	<i>Description</i>	<i>Ref.</i>	<i>Part Number</i>	<i>Qty.</i>	<i>Description</i>
1	139-2427	1	Shock/Spring ASM	20	131-4699	2	Washer-Plastic
2	145-6323-01	1	Bracket-Mount Damper, Lower	21	133-5109	2	Bearing-Sleeve
3	133-9318-05	1	Bracket-Shock Mount, Upper LH	22	136-5636	2	Knob-Lock, Cam
4	133-9319-05	1	Bracket-Shock Mount, Upper RH	23	3-6803	2	Washer-Adjusting
5	133-7083-05	1	Subframe-Front	24	3296-45	2	Nut-Hex
6	137-7031-05	1	Subframe-Rear	25	133-5193	2	Shock/Spring ASM
7	133-7089-05	2	Plate-Backer	26	136-9017	2	Cam Lock ASM
8	161-6326	1	Bracket-Trailing Arm, LH	27	133-4401	2	Bolt-Shoulder
9	161-6325	1	Bracket-Trailing Arm, RH	28	119-4042	11	Nut-HF, NI
10	161-6357-05	1	Bracket-Mount, Lower	29	136-1720	1	Decal-Myride
11	161-6356-05	1	Plate-Seat, Myride	30	140-3461	4	Spacer
12	136-1744-05	1	Plate-Mounting,Adj Shock	31	163-6014	1	Seat ASM
13	161-6328	1	Trailing Arm	32	3296-47	4	Nut-Lock,NI
14	3234-40	4	Screw-HF	33	3231-22	3	Screw-CARR
15	161-6324	4	Spacer-Pivot	34	32144-109	4	Screw-Thd
16	127-6745	4	Bushing-Flange	35	323-6	4	Screw-HH
17	139-1689	6	Nut-HF	37	32144-70	16	Screw-HWHTF
18	131-8834	1	Bumper	38	136-9028	2	Bolt-Shoulder, HWH
19	104-7201	1	Nut-HF, NI	39	144-2634	1	Floor Mat
				40	117-2382	4	Plug-Plastic
				41	161-6392	1	Decal-Myride
				42	161-9755	1	Decal-Myride

Seat Assembly No. 163-6014

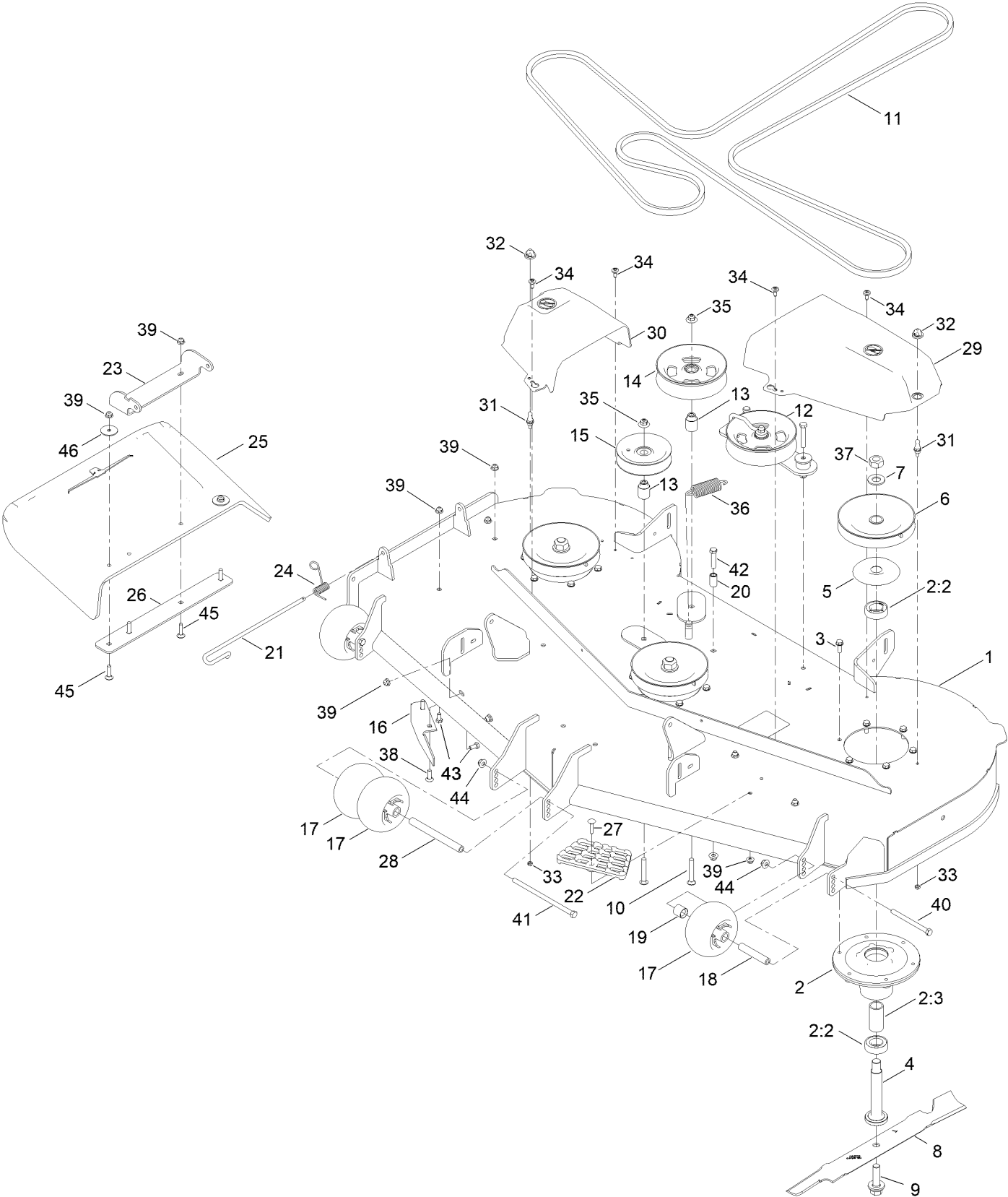


Seat Assembly No. 163-6014 (continued)

<i>Ref.</i>	<i>Part Number</i>	<i>Qty.</i>	<i>Description</i>	<i>Ref.</i>	<i>Part Number</i>	<i>Qty.</i>	<i>Description</i>
1	163-6013	1	Seat ASM	4	161-4567	1	Kit-Arm Rest
2	161-4566	1	Kit-Adjuster	5	109-9805	1	Seat Belt Kit
3	82-2190	1	Switch-Bail	99	163-6015	1	Cover-Seat ●

● Not illustrated

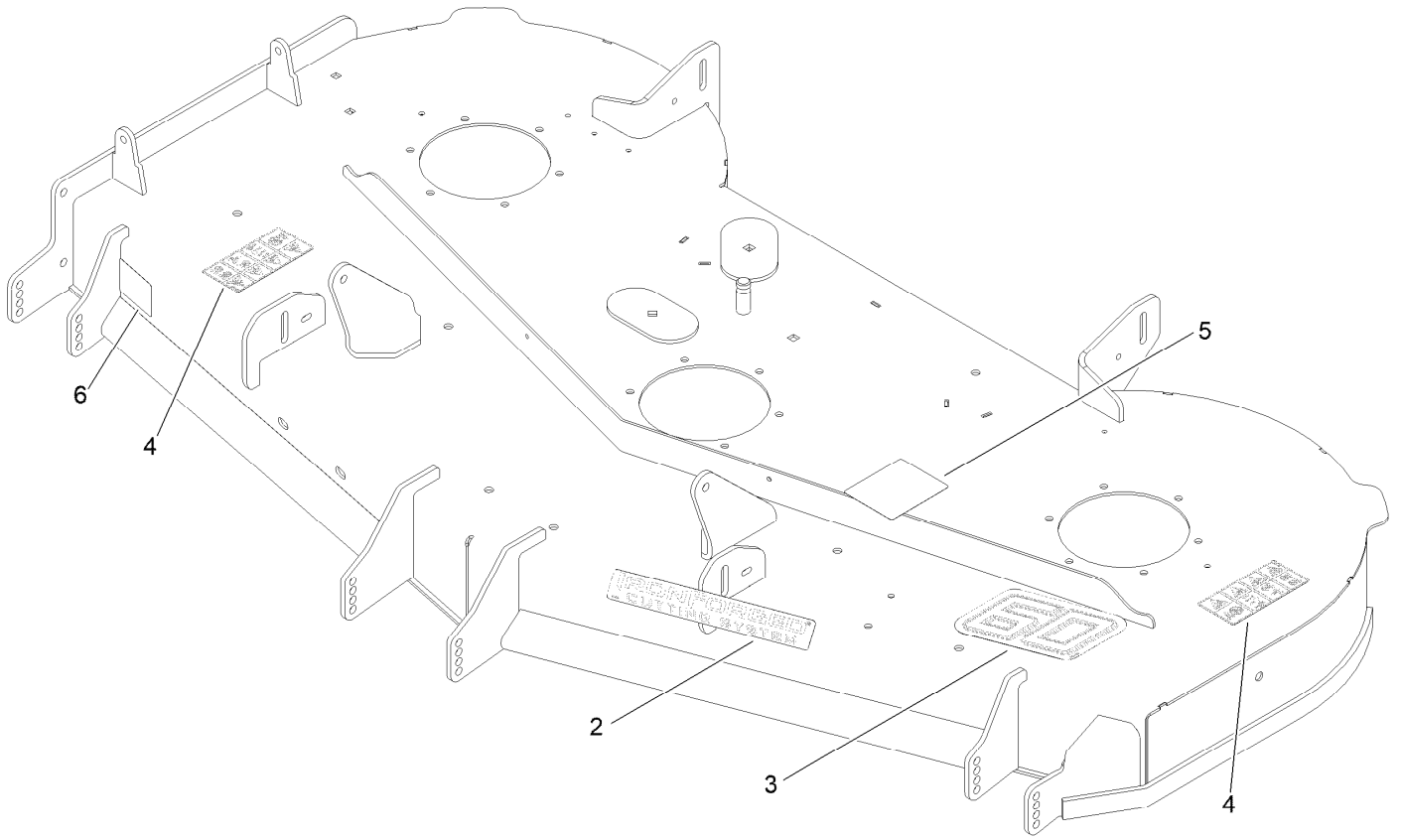
60 Inch Deck Assembly



60 Inch Deck Assembly (continued)

<i>Ref.</i>	<i>Part Number</i>	<i>Qty.</i>	<i>Description</i>	<i>Ref.</i>	<i>Part Number</i>	<i>Qty.</i>	<i>Description</i>
1	161-9768SP	1	ASM-Deck W/Decals	23	114-1648-03	1	Bracket-Deflector, Upper
2	139-2357	3	Spindle ASM	24	138-7232	1	Spring-Torsion
2:2	116-0720	2	Bearing-Ball	25	147-3015	1	Deflector - Molded
2:3	138-7220	1	Spacer-Bearing	26	115-5048-03	1	Plate-Deflector
3	32144-41	18	Screw-Taptite	27	139-1702	1	Bolt-Carriage
4	115-2642	3	Shaft-Spindle	28	98-5967	1	Spacer-Wheel
5	138-7221	3	Shield-Bearing	29	147-2854	1	Cover-Belt, LH
6	147-7674	3	Pulley	30	147-2853	1	Cover-Belt, RH
7	7-4150	3	Washer	31	147-2872	2	Stud-Ball
8	115-9649-03	3	Blade-Hi Flow	32	147-2871	2	Grommet-Ball
9	145-0412	3	Screw-Blade	33	115-7373	2	Nut-Lock
10	3231-31	2	Screw-CARR	34	120-7950	4	Screw-Torx
11	135-5776	1	Belt,V-B X 186.00"	35	109-6658	2	Nut-Flange, NI
12	161-6406	1	Idler Arm ASM	36	139-3616	1	Spring - Extension
13	161-6398	2	Bushing-Idler, Fixed	37	3219-7	3	Nut-Hex
14	132-9425	1	Pulley-Idler, Flat	38	3230-22	2	Screw-CARR
15	132-4718	1	Pulley-Idler, Flat	39	119-4041	12	Nut-HF
16	119-3388-03	1	Baffle-Cutoff	40	323-23	2	Screw-HH
17	1-603299	4	Roller-Scalp, Anti	41	108-5388	1	Screw-HH
18	138-7229	2	Tube-Spanner	42	323-9	1	Screw-HH
19	104-0892	2	Spacer-Axle, Rear	43	322-2	5	Screw-HH
20	161-6410	1	Bushing-Pivot, Idler	44	119-4042	4	Nut-HF, NI
21	138-7231	1	Pin-Chute	45	3230-3	4	Screw-CARR
22	126-4781-03	1	Step-Deck	46	3256-68	2	Washer-Flat

Decal Assembly No. 161-9768SP

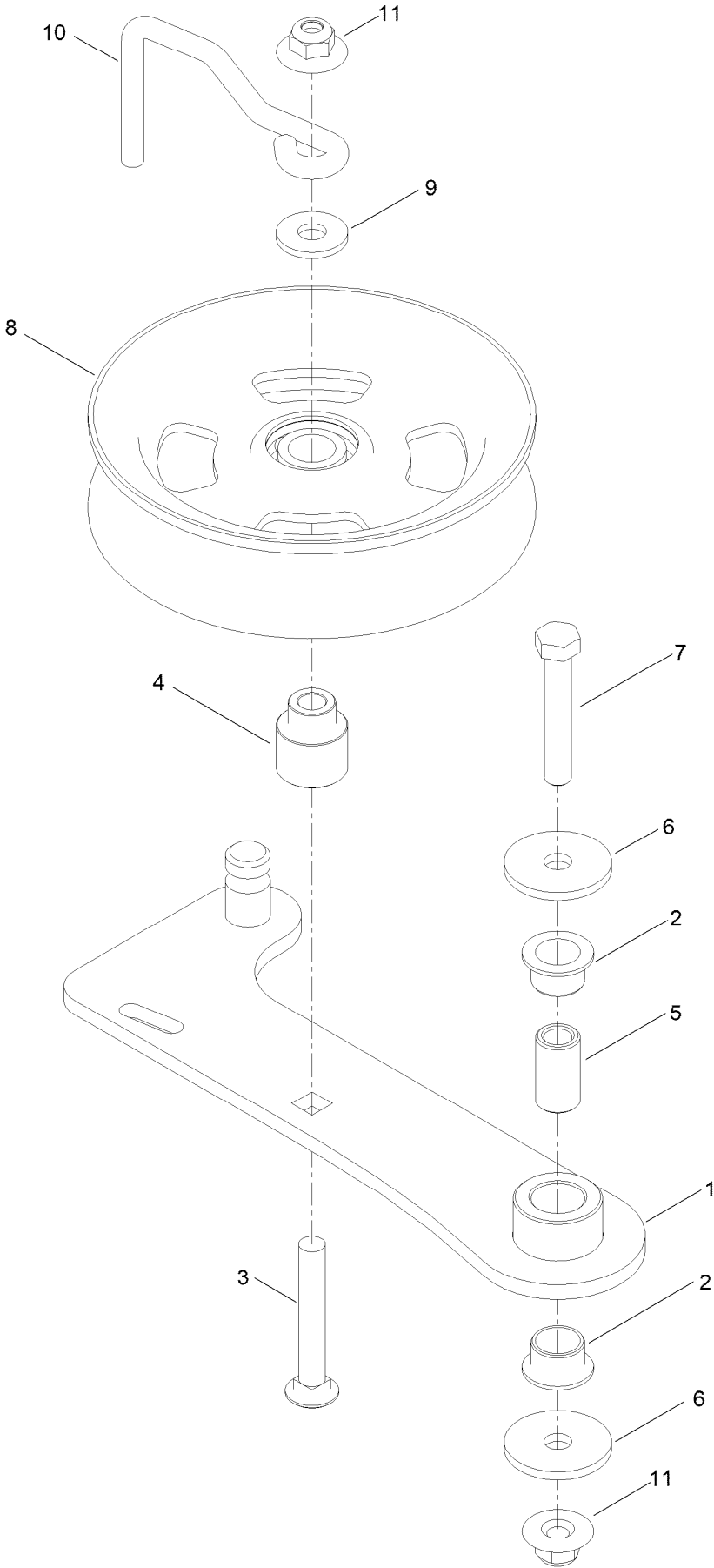


Decal Assembly No. 161-9768SP (continued)

<i>Ref.</i>	<i>Part Number</i>	<i>Qty.</i>	<i>Description</i>
2	147-7567	1	Decal - Iron Forged
3	147-7570	1	Decal - Deck 60
4	161-6620	2	Decal-Danger, Deck

<i>Ref.</i>	<i>Part Number</i>	<i>Qty.</i>	<i>Description</i>
5	117-1194	1	Decal-Routing, Belt
6	130-0765	1	Decal-Scalp, Anti

Idler Arm Assembly No. 161-6406



Idler Arm Assembly No. 161-6406 (continued)

<i>Ref.</i>	<i>Part Number</i>	<i>Qty.</i>	<i>Description</i>	<i>Ref.</i>	<i>Part Number</i>	<i>Qty.</i>	<i>Description</i>
1	161-6407	1	Idler Arm ASM	7	323-11	1	Screw-HH
2	108-2973	2	Bushing-Flange	8	132-9425	1	Pulley-Idler, Flat
3	3231-31	1	Screw-CARR	9	80-6990	1	Washer-Hardened
4	126-7684	1	Bushing-Idler	10	161-6411	1	Guide-Belt, Idler
5	161-6410	1	Bushing-Pivot, Idler	11	109-6658	2	Nut-Flange, NI
6	1-213069	2	Washer				

Attachments and Accessories

For 76609 — Titan MyRIDE 60in Zero Turn Riding Mower

Product Name	Model/Part
Hypr-Oil 500 (quart)	114-4713
Hypr-Oil 500 (gallon).....	114-4714
Hypr-Oil 500-5 (5 gallon).....	114-4715
Blade-Hi Flow, 20.5in	115-9649-03P
COVER, EXMARK LARGE RIDER.....	116-1379
Toro Hydro Kit.....	121-3783
Jack Kit.....	127-6666
Fuel Stabilizer .05 oz	130-2393
4-Cycle Fuel, Snow And Lawn 32oz Can	131-3823
Toro Premium Fuel Treatment 12oz Bottle.....	131-6572
Oil-30/10W-30 Synthetic (Quart).....	138-6053
HD Bagger Cover Kit	140-5036
Leaf Bagging Enhancement Kit	140-5122
Seat ASM-Suspension	144-2632
Hardtop Sun Canopy	144-3719
Flat Free Caster Wheel Kit.....	145-0489
Kit-Striping, 54/60in	147-8781
Mount, Jack Titan	147-8824
60in Recycler Kit.....	148-1281
10W30 4-Cycle Engine Oil (32oz Bottle).....	38280
Toro 4-Cycle SAE 30 Oil (32oz Bottle)	38903
Toro Deluxe Rider Cover.....	490-7319
Powered Bagger, Titan Models ROHS.....	79348

Notes:



Count on it.