



**Count on it.**

**Parts Catalog**

**ProLine H800**

**Rotary Mower**

Model No. 31050—Serial No. 319000009 and Up



# Ordering Replacement Parts

To order replacement parts, please supply the part number, the quantity, and the description of each part desired.

## Understanding Reference Numbers

Each identified part in an illustration has a reference number. The reference number for a part also appears in the parts list, along with other information about the part.

This catalog uses two special reference number formats, one to indicate parts in a service assembly and another to indicate the quantity of a given part in an illustration.

## Service Assembly Reference Numbers

Parts in service assemblies have reference numbers in the form a:b. The a represents the reference number of the entire service assembly and the b represents a sequential number unique to each part within the service assembly.

For example, a wheel assembly might be identified by reference number 6, the tire by 6:1, the valve by 6:2, and the wheel by 6:3. When you order the assembly identified by reference number 6, you receive all parts identified by reference numbers 6:1, 6:2, and 6:3. However, you may also order any part individually. Reference numbers of this type appear in illustration and in parts lists.

## Reference Numbers Indicating Quantity

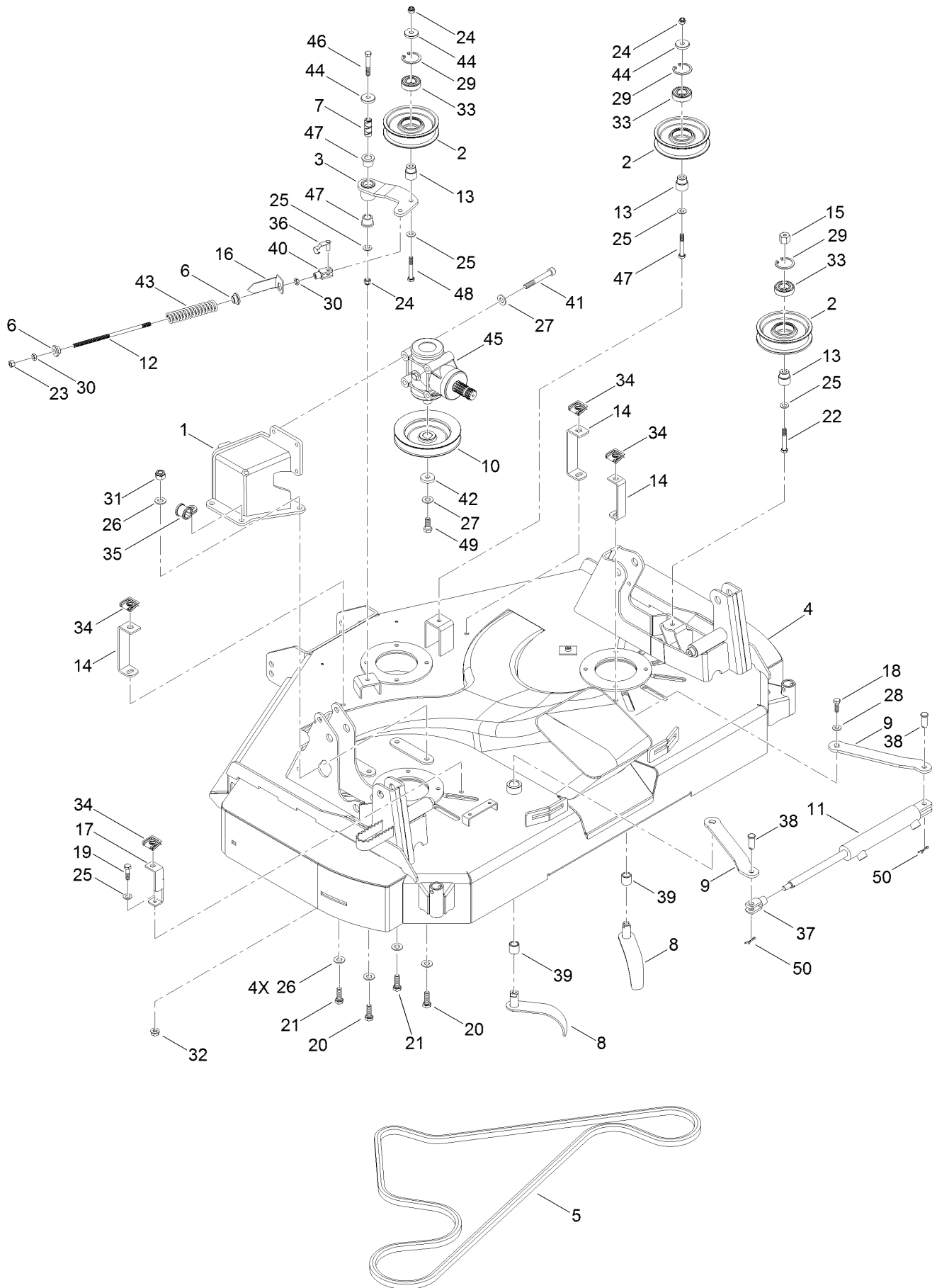
In an illustration, if a reference number indicates more than one part, the reference number has the form nX y. The n represents the quantity of the part, the X is the multiplication symbol, and the y represents the reference number.

For example, in an illustration, the reference number 2X 37 means that two of the parts identified by reference number 37 are indicated.

# Contents

132 cm Cutting Deck Belt and Idlers Assembly . . . . .	4
Mower Deck Hydraulic Assembly . . . . .	6
132 cm Cutting Deck Blade and Pulley Assembly . . . . .	8
Basket Lift Frame Assembly . . . . .	10
Basket Assembly . . . . .	12
Brakes Assembly . . . . .	14
Cooling Assembly . . . . .	16
Electric Equipment Assembly . . . . .	18
Body Assembly . . . . .	20
Frame Assembly . . . . .	22
Flat Frame Assembly . . . . .	24
Grass Conveyor Hood Assembly . . . . .	26
Gearbox Assembly No. 134-0623 . . . . .	28
Lighting Assembly . . . . .	30
Lift Arms Assembly . . . . .	32
Lubrication Service Assembly . . . . .	34
Oil Filter System Assembly . . . . .	36
Engine, Pump and Friction Assembly . . . . .	38
Engine, Fuel and Suction Assembly . . . . .	40
Operator Platform Assembly . . . . .	42
Oil System Motors Assembly . . . . .	44
Road Basket Assembly . . . . .	46
Rear Axle Assembly . . . . .	48
Transmission, PTO and Drive Shaft Assembly . . . . .	50
Fuel and Oil Tank Assembly . . . . .	52
Cylinder Block Assembly . . . . .	54
Gear Housing Assembly . . . . .	56
Flywheel Housing and Oil Sump Assembly . . . . .	58
Cylinder Head and Cover Assembly . . . . .	60
Exhaust Manifold Assembly . . . . .	62
Camshaft and Driving Gear Assembly . . . . .	64
Crankshaft and Piston Assembly . . . . .	66
Lubrication and Oil System Assembly . . . . .	68
Cooling Water System Assembly . . . . .	70
Fuel Injection Pump Assembly . . . . .	72
Governor Assembly . . . . .	74
Fuel Injection Valve Assembly . . . . .	76
Fuel Filter Assembly . . . . .	78
Starter Motor Assembly . . . . .	80
Generator Assembly . . . . .	82
Gasket Set . . . . .	84
Attachments and Accessories . . . . .	86

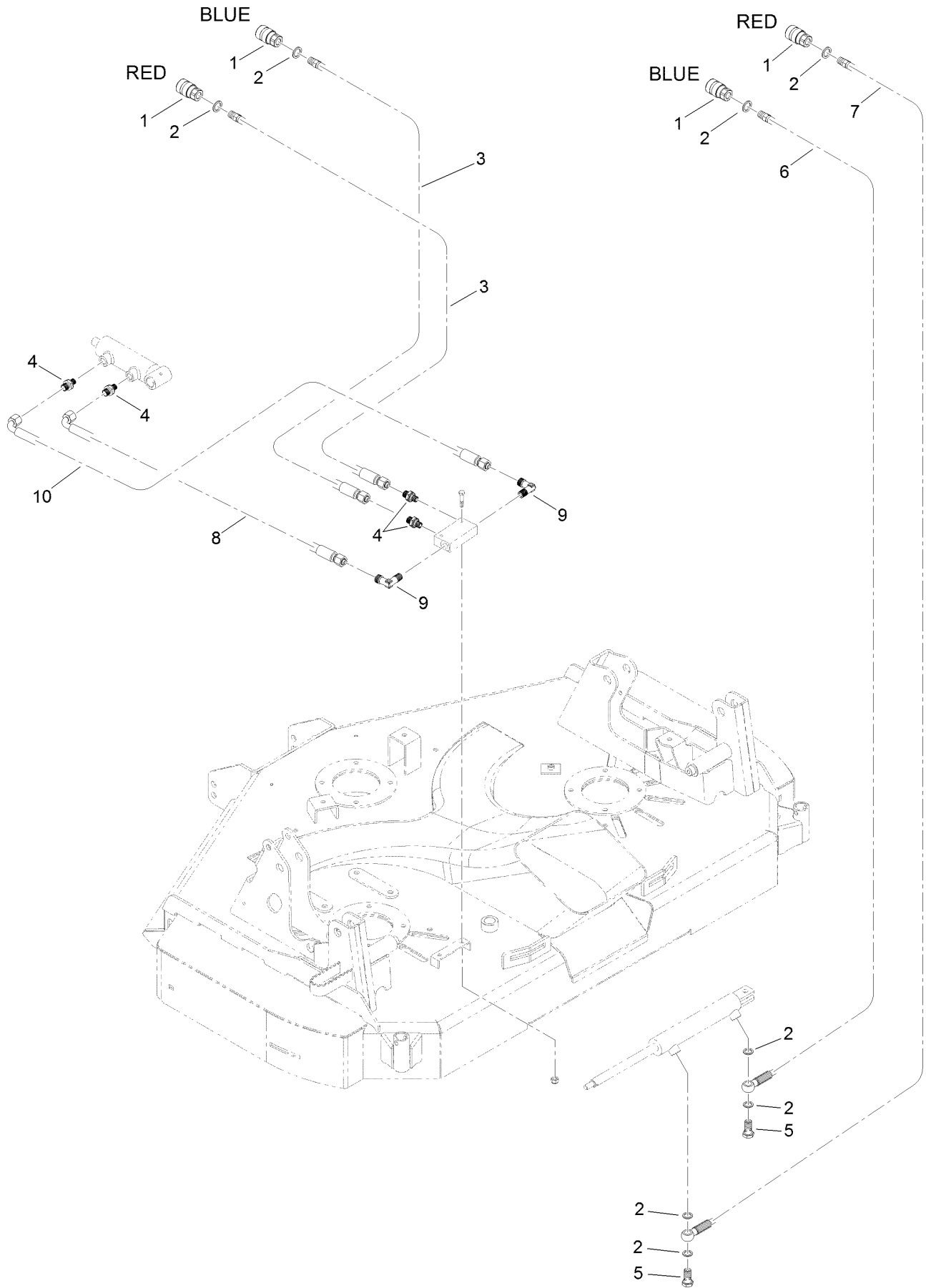
# 132 cm Cutting Deck Belt and Idlers Assembly



# 132 cm Cutting Deck Belt and Idlers Assembly (continued)

<i>Ref.</i>	<i>Part Number</i>	<i>Qty.</i>	<i>Description</i>	<i>Ref.</i>	<i>Part Number</i>	<i>Qty.</i>	<i>Description</i>
1	134-0835	1	Support-Gearbox	26	134-1046	5	Washer
2	134-0632	3	Pulley-Position, Neutral	27	134-1051	2	Washer
3	134-0655	1	Tightener-Belt, Cutter Deck	28	134-1054	1	Washer
4	134-0661	1	Fairing-Deck, Cutter	29	134-1058	3	Ring-Retaining, Int
5	134-0571	1	Belt-Deck, Cutter	30	134-1078	2	Nut
6	134-0712	2	Bushing	31	134-1081	1	Nut
7	134-0730	1	Spacer	32	134-1082	1	Nut
8	134-0808	2	Scraper	33	134-1108	3	Bearing
9	134-0815	2	Lever	34	134-1193	4	Plate-Small
10	134-0817	1	Pulley	35	134-1198	1	Clamp
11	134-0827	1	Ram	36	134-1239	1	Fork
12	134-0626	1	Rod	37	134-1241	1	Fork
13	134-0879	1	Bushing	38	134-1242	2	Pin
14	134-0883	3	Bracket	39	134-1265	2	Bushing-Bronze
15	134-0884	3	Spacer	40	134-1271	1	Fork-Clevis, M8
16	134-0892	1	Spring-Belt Tension Indicator	41	134-1316	1	Screw
17	134-0965	1	Bracket	42	134-1337	1	Washer
18	134-1011	1	Screw	43	134-1350	1	Spring
19	134-1014	1	Screw	44	134-1355	3	Washer
20	134-1019	2	Screw	45	134-0623	1	Gearbox ASM
21	134-1023	2	Screw	46	134-2953	1	Screw
22	134-1029	1	Screw	47	134-2954	2	Bushing
23	134-1034	1	Nut	48	134-2955	2	Screw
24	134-1038	3	Nut	49	134-2956	1	Screw
25	134-1045	5	Washer	50	134-2957	2	Pin-Split

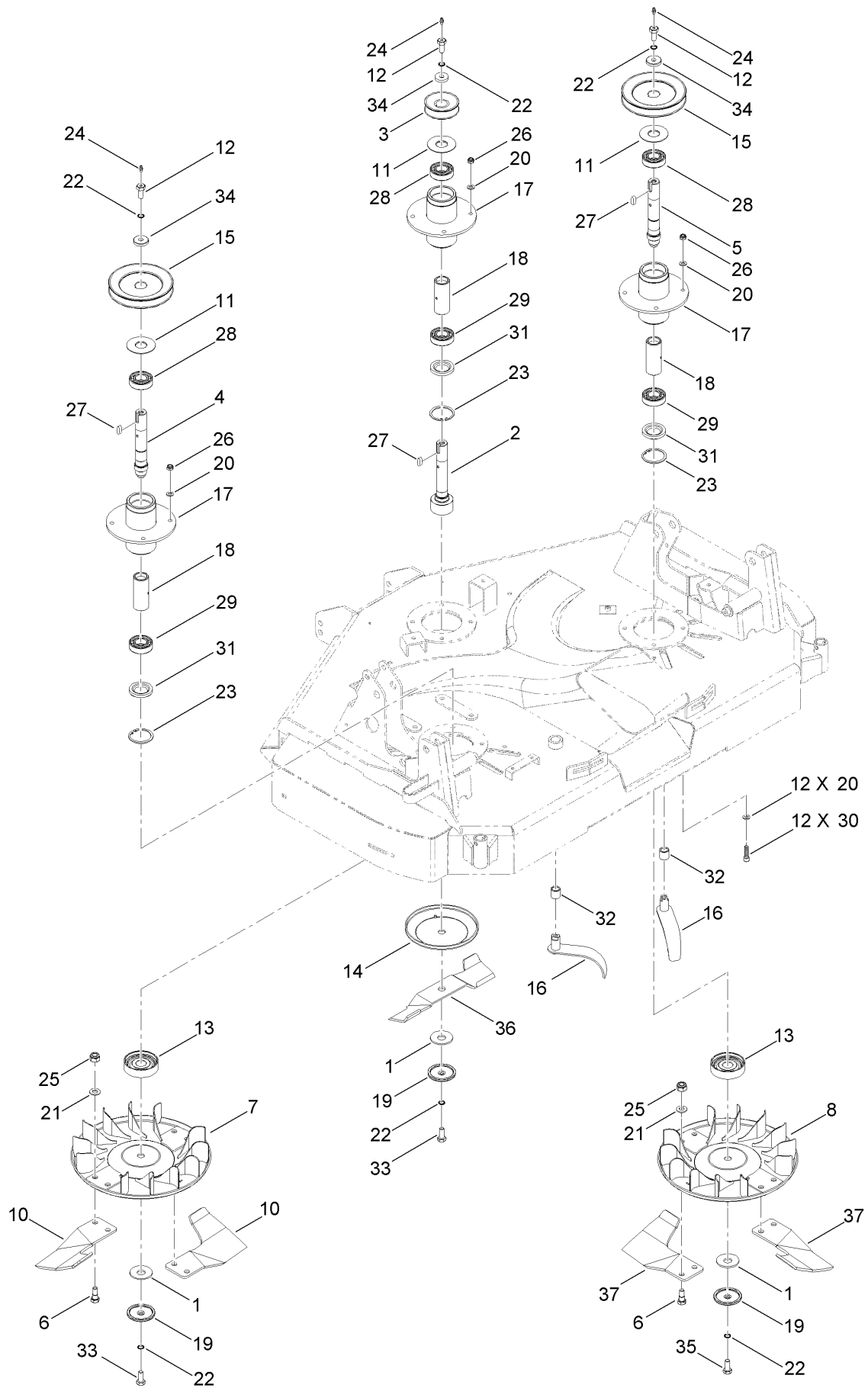
# Mower Deck Hydraulic Assembly



## Mower Deck Hydraulic Assembly (continued)

<i>Ref.</i>	<i>Part Number</i>	<i>Qty.</i>	<i>Description</i>	<i>Ref.</i>	<i>Part Number</i>	<i>Qty.</i>	<i>Description</i>
1	134-1206	4	Coupler-Quick, Female	6	134-3119	1	Hose-Hydraulic
2	134-1255	8	Washer	7	134-3120	1	Hose-Hydraulic
3	134-3118	2	Hose-Hydraulic	8	134-3121	1	Hose-Hydraulic
4	134-1270	4	Fitting-Nipple	9	134-3122	2	Fitting-Hydraulic
5	134-1102	2	Screw	10	134-3127	1	Hose-Hydraulic

# 132 cm Cutting Deck Blade and Pulley Assembly

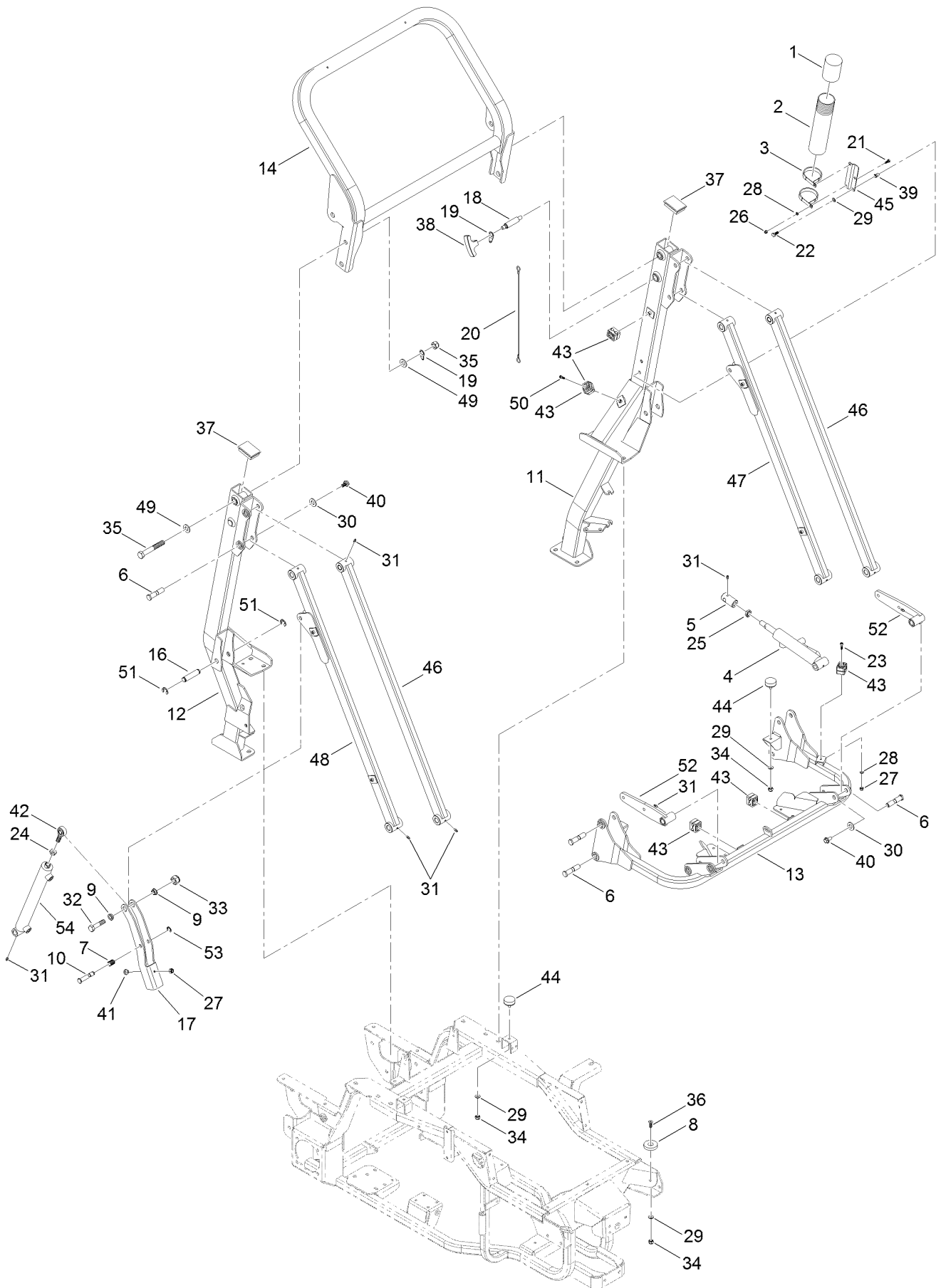




# 132 cm Cutting Deck Blade and Pulley Assembly (continued)

<i>Ref.</i>	<i>Part Number</i>	<i>Qty.</i>	<i>Description</i>	<i>Ref.</i>	<i>Part Number</i>	<i>Qty.</i>	<i>Description</i>
1	134-0579	3	Spring-Belleville	20	134-1045	15	Washer
2	134-0630	1	Shaft-Blade Hub, Central	21	134-1046	2	Washer
3	134-0631	1	Pulley	22	134-1051	6	Washer
4	134-0636	1	Shaft-Hub, LH Blade	23	134-1057	3	Ring-Retaining, Int
5	134-0637	1	Shaft-Hub, RH Blade	24	134-1065	3	Fitting-Grease
6	134-0643	2	Screw	25	134-1079	2	Nut
7	134-0652	1	Disc-Blade, LH	26	134-1092	3	Nut
8	134-0653	1	Disc-Blade, RH	27	134-1101	3	Key-Shaft
10	134-0665	2	Blade-LH	28	134-1106	3	Bearing
11	134-0732	3	Cover	29	134-1109	2	Bearing
12	134-0733	3	Screw	30	134-1115	12	Screw
13	134-0734	1	Seal-Oil	31	134-1159	3	Seal-Oil
14	134-0778	1	Disc-Blade, Central	32	134-1265	2	Bushing-Bronze
15	134-0805	2	Pulley	33	134-1309	2	Screw-HH
16	134-0808	2	Scraper	34	134-1337	3	Washer
17	134-0833	3	Hub-Blade Holder	35	134-1347	1	Screw-HH, LH Thd
18	134-0834	3	Spacer	36	134-0663	1	Blade-Central
19	134-0897	3	Cover	37	134-0664	2	Blade-RH

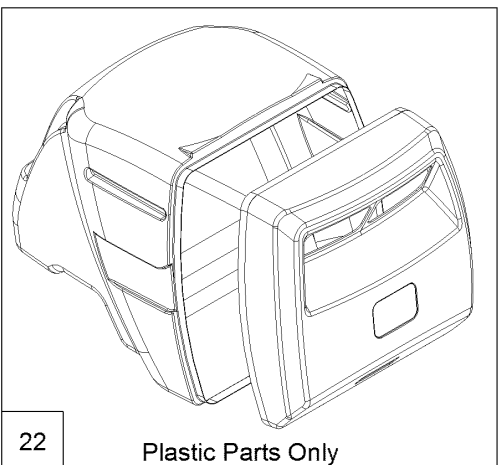
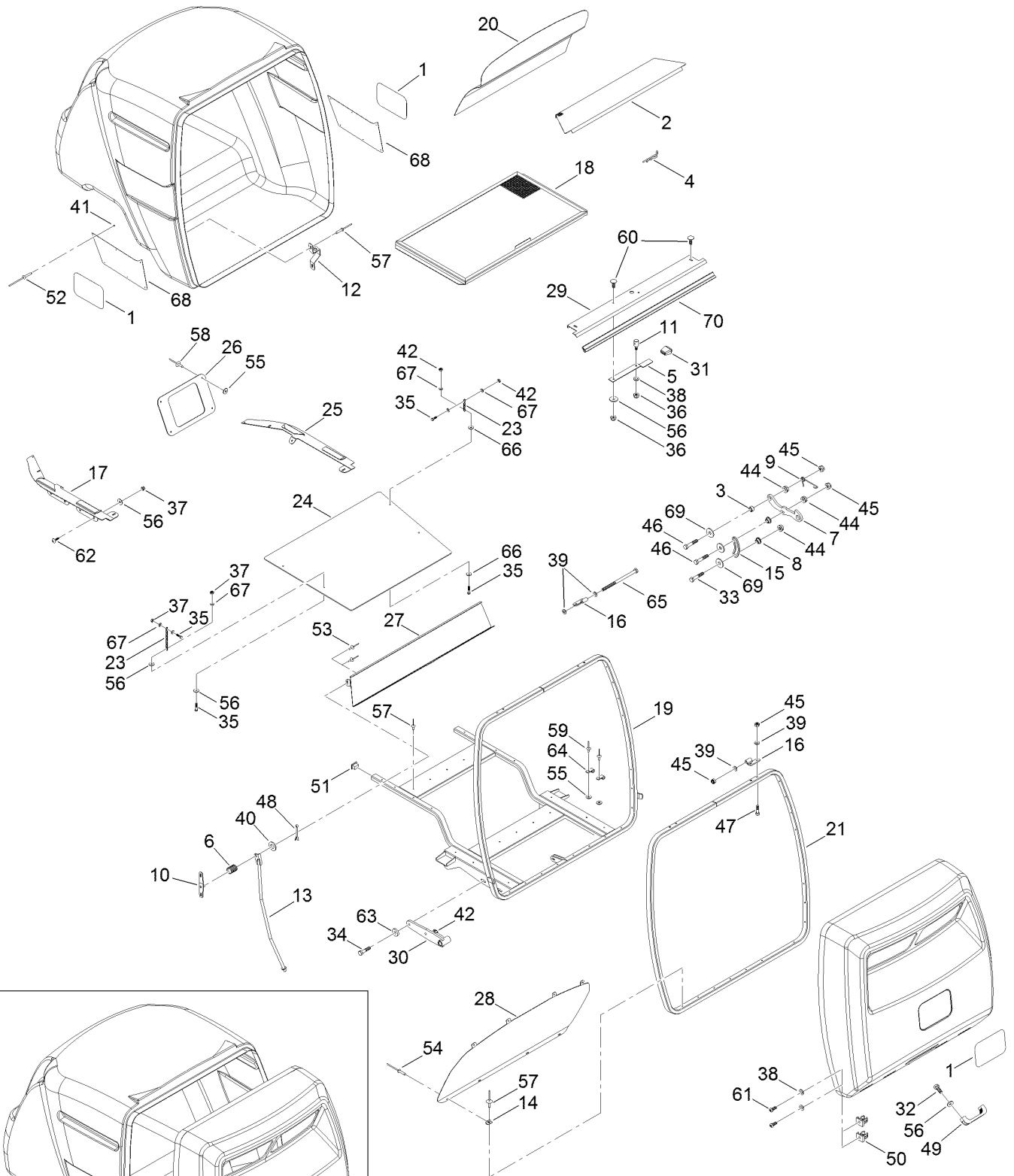
# Basket Lift Frame Assembly



## Basket Lift Frame Assembly (continued)

<i>Ref.</i>	<i>Part Number</i>	<i>Qty.</i>	<i>Description</i>	<i>Ref.</i>	<i>Part Number</i>	<i>Qty.</i>	<i>Description</i>
1	104-7048	1	Cap-Housing	28	134-1044	2	Washer
2	104-7050	1	Tube-Manual	29	134-1045	4	Washer
3	107-1865	1	R-Clamp	30	134-1051	2	Washer
4	134-0654	2	Cylinder-Tipping, Grass Catcher	31	134-1065	8	Fitting-Grease
5	134-0692	2	Support	32	134-1072	1	Screw
6	134-0719	2	Pin	33	134-1090	1	Nut
7	134-0727	1	Spring	34	134-1092	2	Nut
8	134-0759	1	Support	35	134-1095	2	Nut
9	134-0761	2	Bushing	36	134-1121	1	Screw
10	134-0776	1	Pin	37	134-1175	2	Cap
11	134-0809	1	Bracket	38	134-1180	1	Knob
12	134-0810	1	Bracket	39	134-1260	1	Insert-Threaded
13	134-0814	1	Support	40	134-1310	2	Screw
14	134-0839	1	Bar-Roll	41	134-1326	1	Magnet
16	134-0873	1	Pin	42	134-1328	2	Joint-Ball
17	134-0909	1	Rod-Safety	43	134-1330	5	Collar
18	134-0931	1	Pin	44	134-1338	2	Pad-Rubber
19	134-0932	2	Plate-Small	45	134-2958	1	Bracket
20	134-0933	1	Cable	46	134-2959	2	Arm
21	134-1008	1	Screw	47	134-2960	1	Arm
22	134-1011	1	Screw	48	134-2961	1	Arm
23	134-1025	1	Screw	49	134-2962	2	Washer
24	134-1036	2	Nut	50	134-2963	1	Screw
25	134-1037	2	Nut	51	134-2964	1	Ring-Snap
26	134-1041	1	Nut	52	134-2965	2	Hopper Hinge
27	134-1042	2	Nut	53	134-2966	1	Ring Snap
				54	134-0811	2	Cylinder

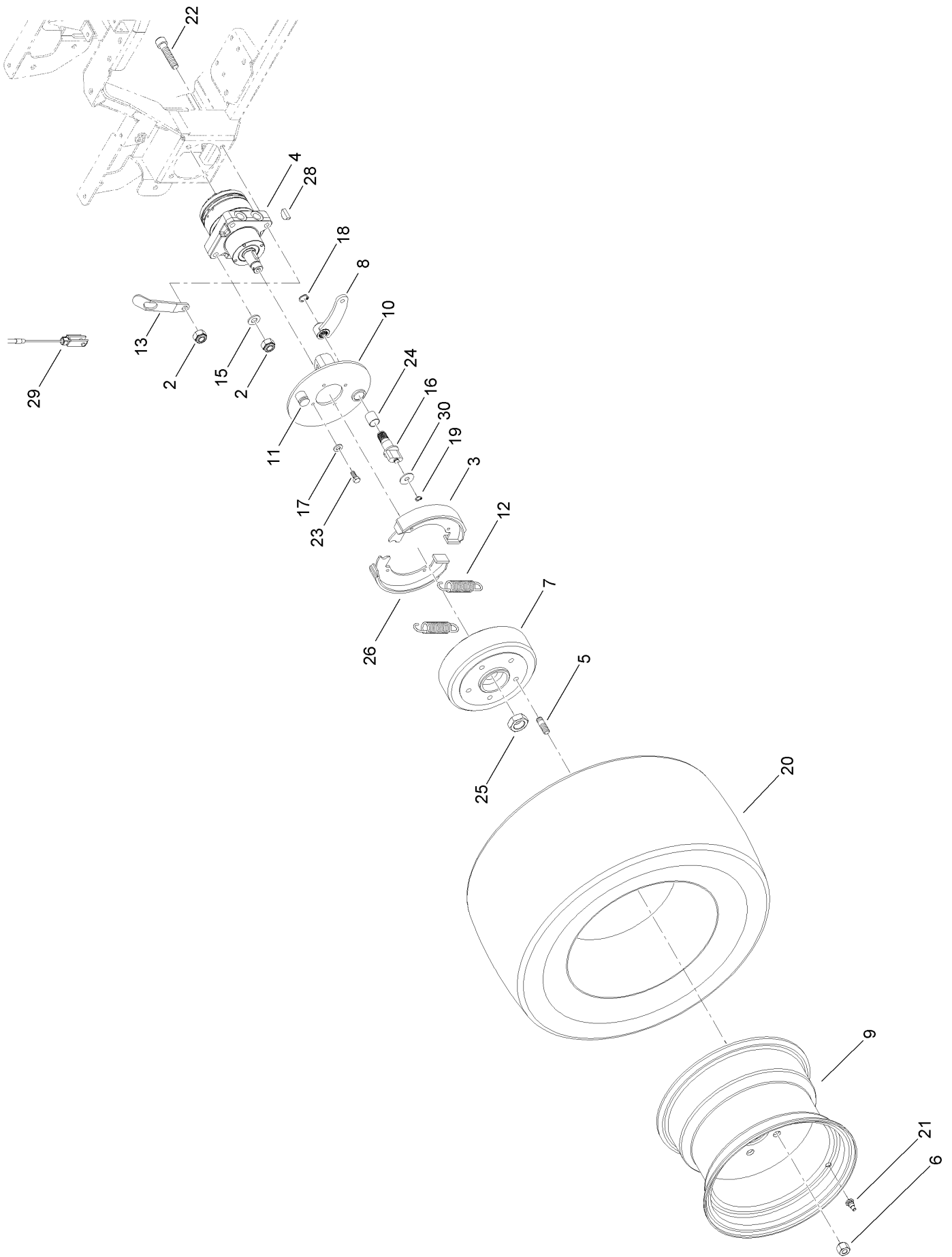
# Basket Assembly



## Basket Assembly (continued)

<i>Ref.</i>	<i>Part Number</i>	<i>Qty.</i>	<i>Description</i>	<i>Ref.</i>	<i>Part Number</i>	<i>Qty.</i>	<i>Description</i>
1	134-0551	3	Decal-Toro Logo	34	134-1019	1	Screw
2	134-0658	1	Sieve-Catcher, Grass	35	134-1028	2	Screw
3	134-0687	1	Spacer	36	134-1041	2	Nut
4	134-0724	1	Stop	37	134-1042	3	Nut
5	134-0725	1	Hook	38	134-1044	2	Washer
6	134-0727	1	Spring	39	134-1045	3	Washer
7	134-0728	1	Hook	40	134-1046	1	Washer
8	134-0737	1	Bushing	41	134-1050	1	Washer
9	134-0740	1	Spring	42	134-1065	1	Fitting-Grease
10	134-0741	1	Support	44	134-1082	3	Nut
11	134-0743	1	Pin	45	134-1092	3	Nut
12	134-0744	1	Bracket	46	134-1119	1	Screw
13	134-0747	1	Rod	47	134-1122	1	Screw
14	134-0753	1	Bracket	48	134-1129	1	Pin-Spring
15	134-0755	1	Rod-Connecting	49	134-1140	1	Handle
16	134-0758	1	Hinge	50	134-1160	1	Collar
17	134-0764	1	Guide	51	134-1181	1	Cap-Plastic, Black
18	134-0765	1	Screen-Grass Catcher, Inside	52	134-1183	1	Rivet
19	134-0825	1	Frame	53	134-1190	1	Rivet
20	134-0842	1	Screen-Grass Catcher, Front	54	134-1204	1	Rivet
21	134-0843	1	Frame	55	134-1231	2	Washer
22	134-0858	1	Catcher-Grass	56	134-1234	7	Washer
23	134-0870	2	Chain	57	134-1244	3	Rivet
24	134-0871	1	Panel-Plastic, Grass Catcher	58	134-1246	1	Rivet
25	134-0875	1	Support-Net	59	134-1273	1	Rivet
26	134-0908	1	Plate	60	134-1296	1	Screw
27	134-0961	1	Screen-Grass Catcher	61	134-1303	1	Screw
28	134-0976	1	Plate	62	134-1304	1	Screw
29	134-0978	1	Rail-Cross	63	134-1337	1	Washer
30	134-0979	1	Hinge	64	134-1348	1	Grommet
31	134-0999	1	Knob	65	134-2972	1	Screw
32	134-1008	1	Screw	66	134-2979	7	Washer
33	134-1013	1	Screw	67	134-3027	6	Washer-Wave
				68	134-3124	2	Plate-Logo, Hopper
				69	134-3126	3	Washer
				70	134-3125	1	Gasket-Screen, Hopper

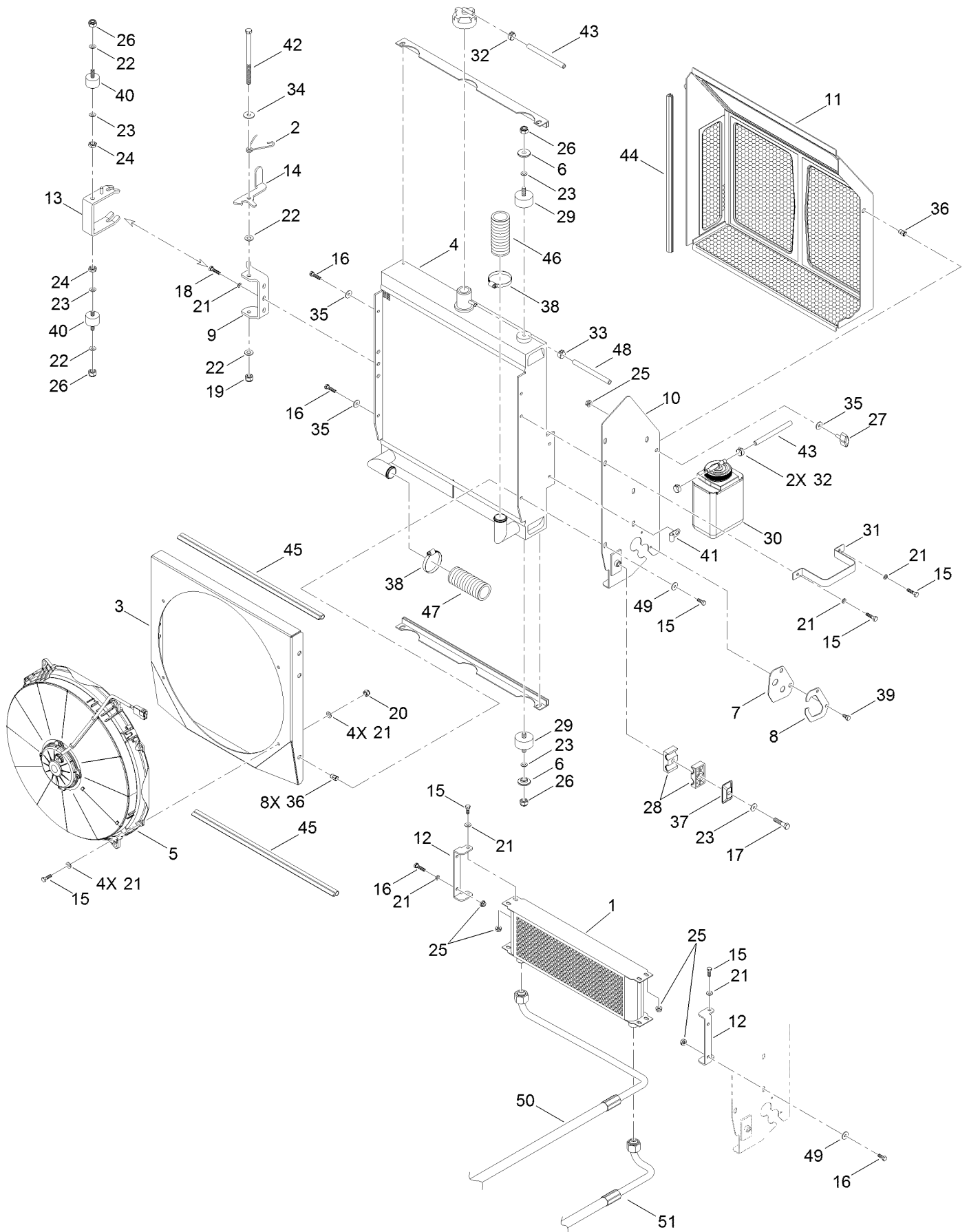
# Brakes Assembly



## Brakes Assembly (continued)

<i>Ref.</i>	<i>Part Number</i>	<i>Qty.</i>	<i>Description</i>	<i>Ref.</i>	<i>Part Number</i>	<i>Qty.</i>	<i>Description</i>
2	134-0561	4	Nut	17	134-1054	4	Washer
3	134-0624	2	Shoe-Brake	18	134-1062	1	Ring-Retaining, Int
4	134-0666	1	Motor-Hydraulic	19	134-1063	1	Ring-Retaining, Int
5	134-0686	5	Stud	20	134-1229	1	Tire-Front
6	134-0688	5	Nut-Lug, Wheel	21	134-1261	1	Valve-Tire
7	134-0711	1	Drum-Brake	22	134-1298	4	Screw
8	134-0714	1	Lever-Brake	23	134-1299	4	Screw
9	134-0715	1	Rim-Wheel, Front	24	134-1320	1	Bushing
10	134-0717	1	Camshaft	25	134-2967	1	Nut
11	134-0718	1	Plate-Brake	26	134-2968	1	Brake Caliper
12	134-0722	2	Spring	28	134-2970	1	Key-Woodruff
13	134-0726	1	Bracket-Cable, Brake	29	134-2971	1	Wire
15	134-1047	3	Washer	30	134-1048	1	Washer
16	134-1048	1	Washer				

# Cooling Assembly

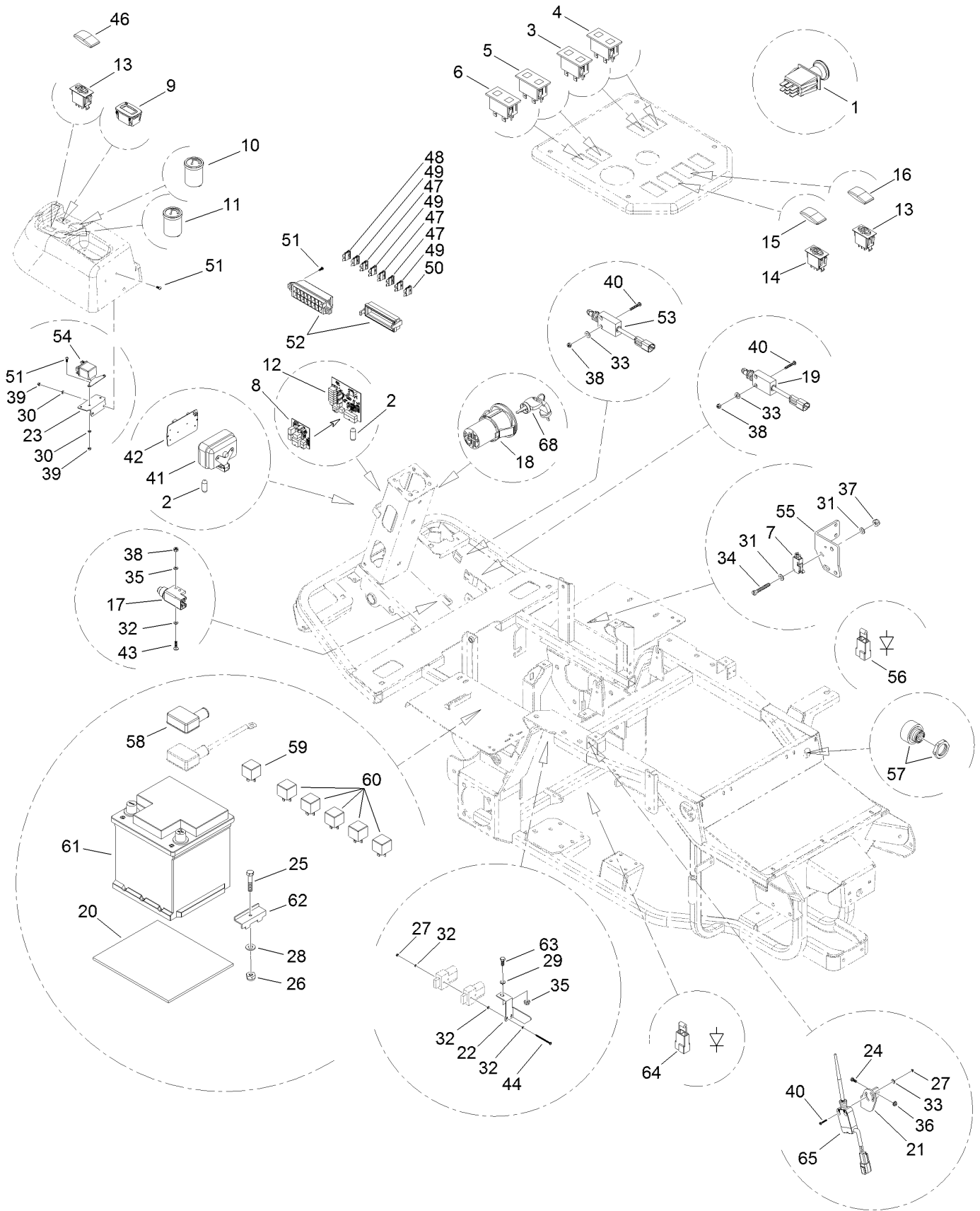




## Cooling Assembly (continued)

<i>Ref.</i>	<i>Part Number</i>	<i>Qty.</i>	<i>Description</i>	<i>Ref.</i>	<i>Part Number</i>	<i>Qty.</i>	<i>Description</i>
1	134-0625	1	Cooler-Oil	27	134-1148	1	Knob
2	134-0640	1	Spring	28	134-1151	1	Collar
3	134-0651	1	Conveyor-Blower	29	134-1164	2	Shock Absorber
4	134-0659	1	Radiator	30	134-1173	1	Tank
5	134-0606	1	Blower	31	134-1174	1	Clamp
6	134-0694	2	Bushing	32	134-1199	3	Clamp
7	134-0751	1	Gasket	33	134-1201	1	Clamp
8	134-0752	1	Frame	34	134-1233	1	Washer
9	134-0771	1	Bracket	35	134-1234	3	Washer
10	134-0773	1	Guard-Cable	36	134-1257	9	Insert-Threaded
11	134-0777	1	Screen-Radiator	37	134-1274	1	Plate-Small
12	134-0840	2	Bracket	38	134-1277	2	Clamp
13	134-0863	1	Bracket	39	134-1293	1	Screw
14	134-0864	1	Bracket	40	134-1346	2	Shock Absorber
15	134-1008	7	Screw	41	134-1348	1	Grommet
16	134-1009	7	Screw	42	134-2972	1	Screw
17	134-1014	1	Screw	43	134-2973	2	Pipe
18	134-1027	1	Screw	44	134-2974	1	Gasket
19	134-1038	1	Nut	45	134-2975	2	Gasket
20	134-1042	1	Nut	46	134-2976	1	Pipe
21	134-1044	7	Washer	47	134-2977	1	Pipe
22	134-1045	4	Washer	48	134-2978	1	Pipe
23	134-1054	4	Washer	49	134-2979	2	Washer
24	134-1078	2	Nut	50	134-2980	1	Hydraulic Hose
25	134-1084	3	Nut	51	134-2981	1	Hydraulic Hose
26	134-1092	4	Nut				

# Electric Equipment Assembly

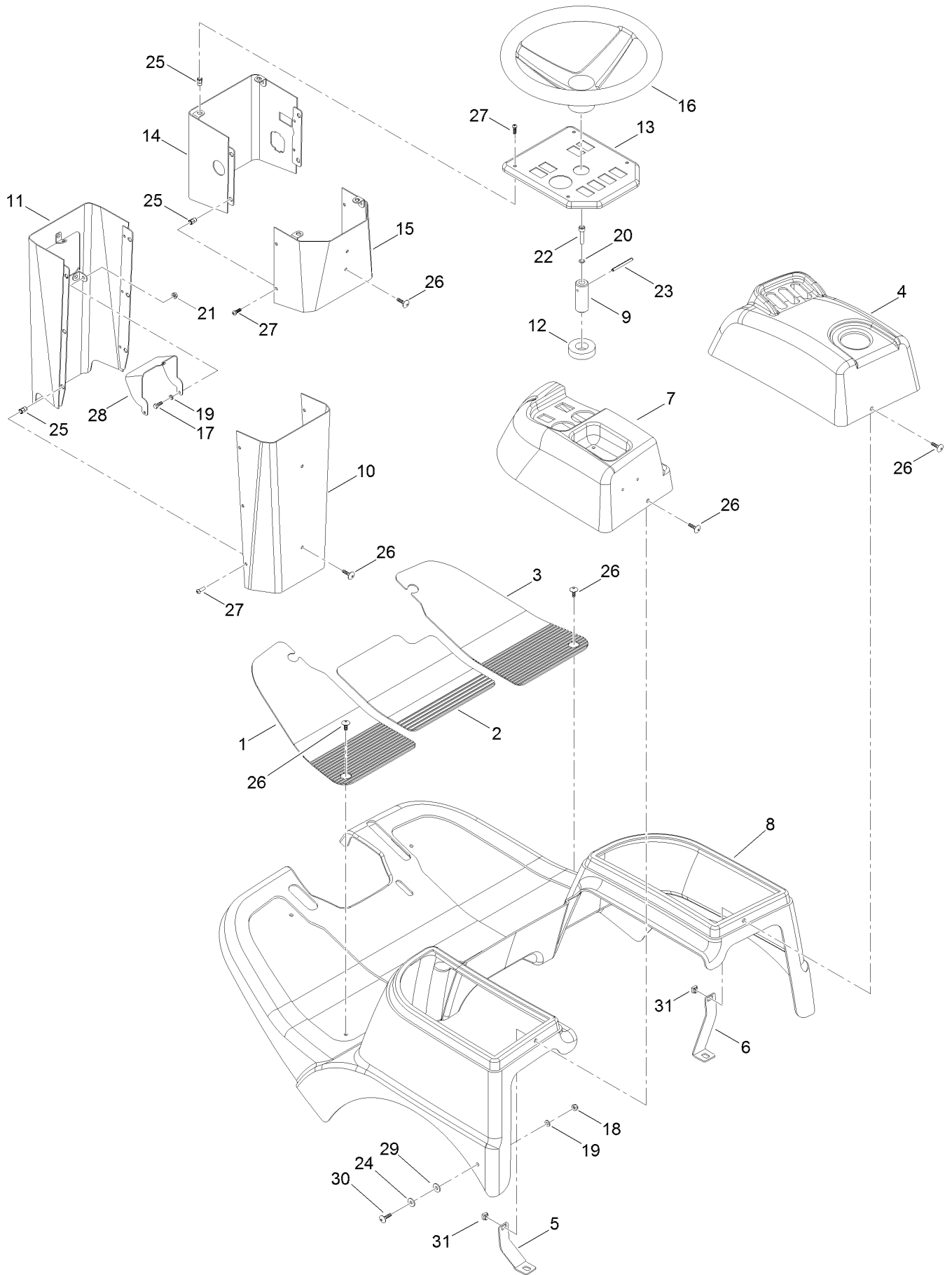


## Electric Equipment Assembly (continued)

<i>Ref.</i>	<i>Part Number</i>	<i>Qty.</i>	<i>Description</i>	<i>Ref.</i>	<i>Part Number</i>	<i>Qty.</i>	<i>Description</i>
1	93-9999	1	Switch-PTO	31	134-1050	2	Washer
2	111-9822	2	Ferrite-Suppression, Emc	32	134-1052	4	Washer
3	122-0332	1	Light-Indicator, Low Beam/High Beam	33	134-1053	3	Washer
4	122-0333	1	Light-Indicator, Hopper Full/Park	34	134-1077	1	Screw
5	122-0342	1	Light-Indicator, Oil Pressure/Air Filter	35	134-1082	1	Nut
6	122-0334	1	Light-Indicator, Glow/Battery	36	134-1084	1	Nut
7	134-0586	1	Microswitch	37	134-1085	1	Nut
8	134-0597	1	Control Unit-Light, Electric	38	134-1093	3	Nut
9	134-0598	1	Meter-Hour	39	134-1094	2	Nut
10	134-0603	1	Indicator-Fuel	40	134-1113	3	Screw
11	134-0604	1	Indicator-Temperature	41	134-1280	1	Lamp-Front
12	134-1991	1	Control Unit-Machine, Electronic	42	134-1281	1	Bulb
13	134-0609	2	Switch-HOC	43	134-1307	1	Screw
14	134-0610	2	Switch	44	134-1315	1	Screw
15	134-0611	1	Cover-Button, Sense Inverting/Fan Rot	46	134-2982	1	Cover-Rocker
16	134-0612	1	Cover-Lock Button, Differential	47	134-2983	4	Fuse 5A
17	134-0614	1	Microswitch-Brake	48	134-2984	1	Fuse 30A
18	134-0615	1	Switch-Ignition	49	134-2985	3	Fuse 15A
19	134-0620	1	Microswitch-Forward	50	134-2986	1	Fuse-Blade, 3 Amp
20	134-0720	1	Bushing-Plastic	51	134-2987	2	Screw
21	134-0880	1	Bracket	52	134-2988	1	Box-Fuse
22	134-0890	1	Bracket	53	134-2989	1	Swtch-Micro
23	134-0921	1	Bracket	54	134-2990	1	Glow Relay ASM
24	134-1008	1	Screw	55	134-0952	1	Bracket
25	134-1027	1	Screw	56	134-2992	1	Diode-Engine
26	134-1038	1	Nut	57	134-2993	1	Solenoid
27	134-1040	2	Nut	58	134-2994	1	Guard
28	134-1045	1	Washer	59	134-2995	1	Relay
29	134-1047	1	Washer	60	134-2996	5	Relay
30	134-1049	2	Washer	61	134-2997	1	Battery, Wet
				62	134-2998	1	Bracket-Clamp, Battery
				63	134-2999	1	Screw
				64	134-3000	1	Diode-Clutch
				65	134-3001	1	Micro-Open, Grass Catcher
				67	134-1993	1	Main Wiring Harness ●
				68	134-1285	1	Key-Ignition, Plastic Cover

● Not illustrated

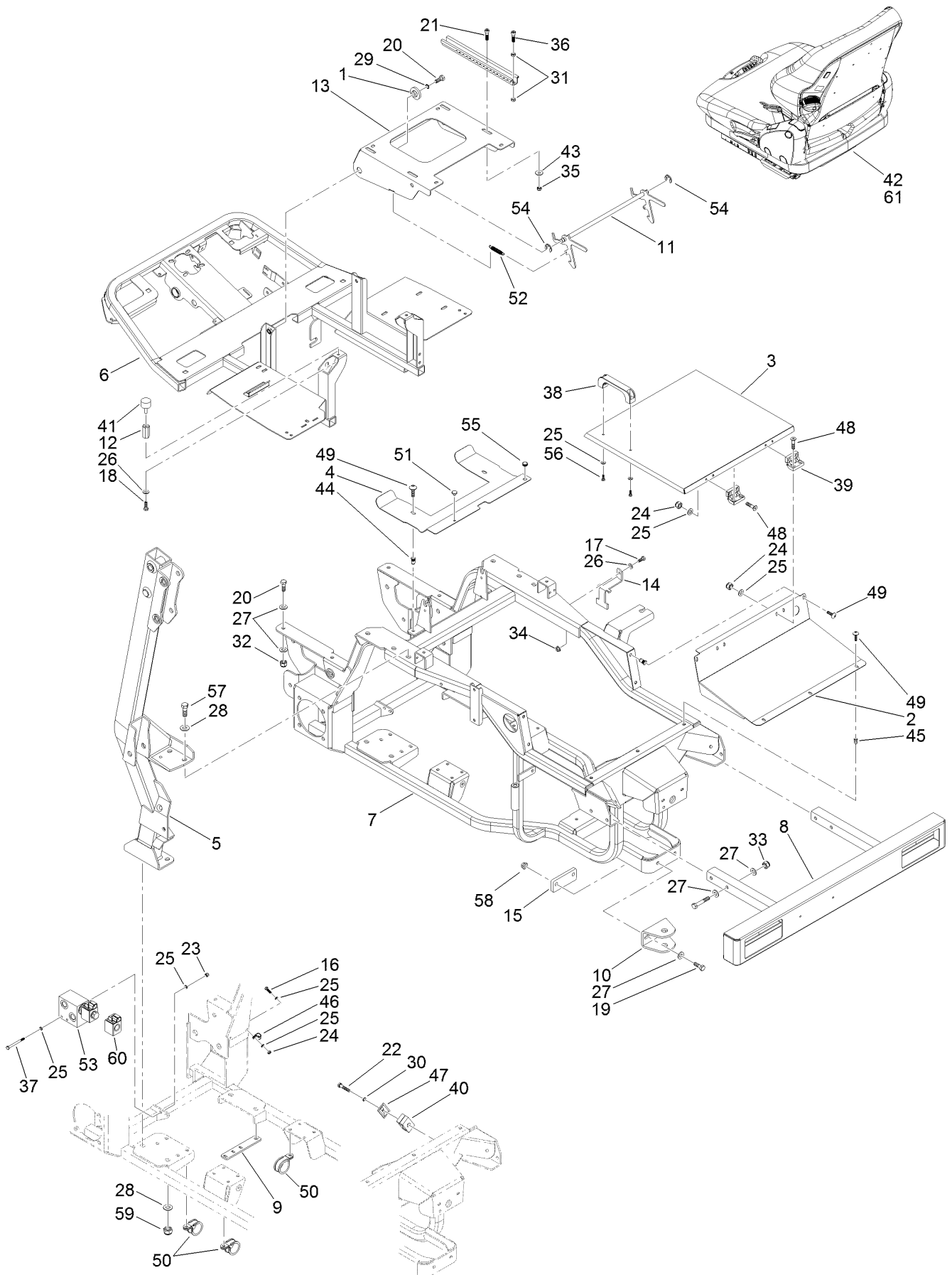
# Body Assembly



## Body Assembly (continued)

<i>Ref.</i>	<i>Part Number</i>	<i>Qty.</i>	<i>Description</i>	<i>Ref.</i>	<i>Part Number</i>	<i>Qty.</i>	<i>Description</i>
1	134-0644	1	Pad-Footboard	17	134-1007	1	Screw
2	134-0645	1	Pad-Footboard	18	134-1041	1	Nut
3	134-0646	1	Pad-Footboard	19	134-1044	1	Washer
4	134-0832	1	Dashboard	20	134-1054	1	Washer
5	134-0885	1	Bracket	21	134-1084	1	Nut
6	134-0886	1	Bracket	22	134-1122	1	Screw
7	134-0927	1	Dashboard	23	134-1135	1	Plug
8	134-0928	1	Fairing	24	134-1234	1	Washer
9	134-0937	1	Bushing	25	134-1257	3	Insert-Threaded
10	134-0945	1	Support	26	134-1304	6	Screw
11	134-0947	1	Support	27	134-1311	3	Screw
12	134-0950	1	Washer	28	134-0946	1	Support-Column
13	134-0954	1	Dashboard	29	134-3003	1	Washer
14	134-0955	1	Support	30	134-3004	1	Screw
15	134-0956	1	Support	31	134-3005	1	Nut-Cage
16	134-0958	1	Wheel-Steering				

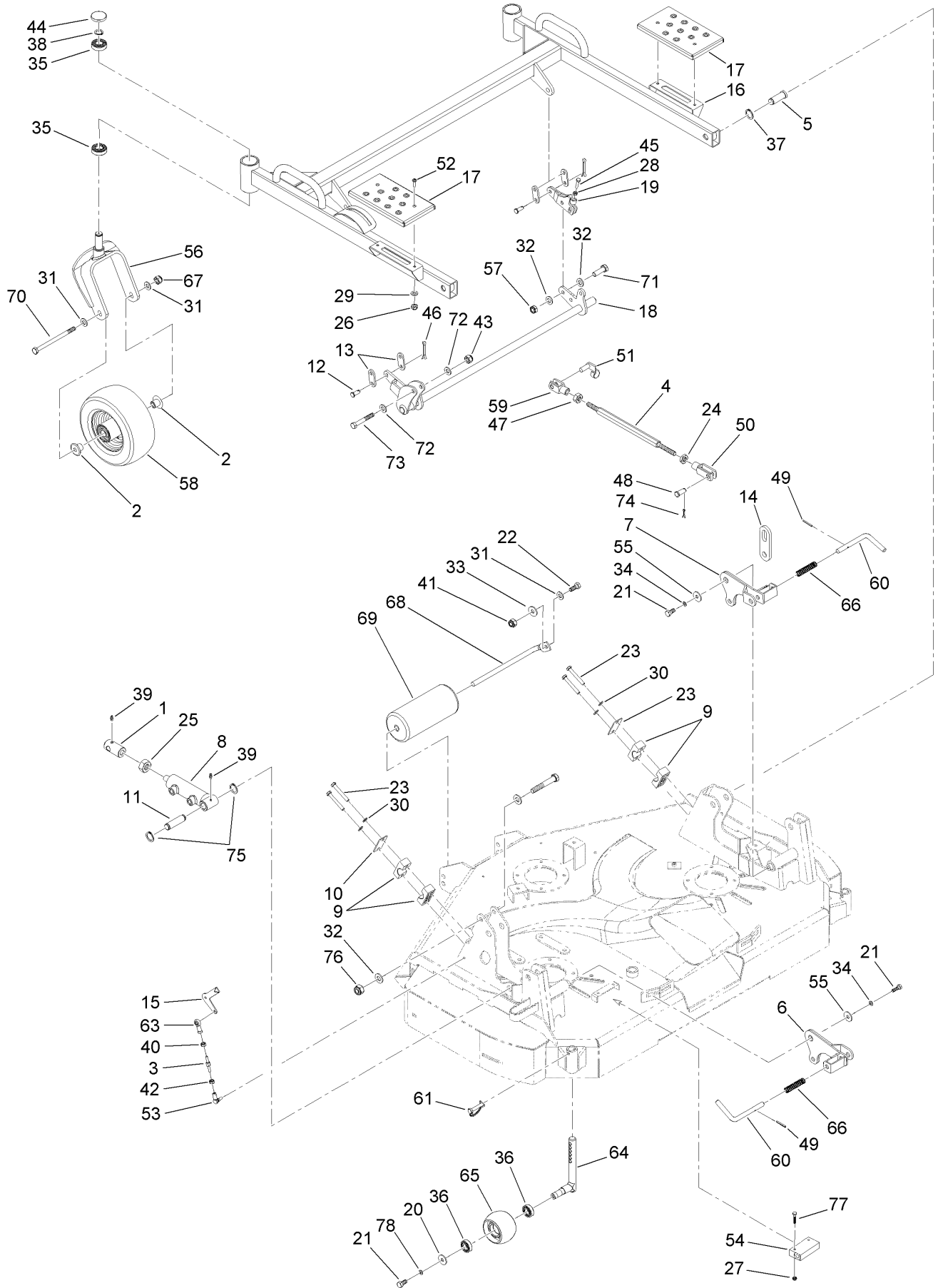
# Frame Assembly



## Frame Assembly (continued)

<i>Ref.</i>	<i>Part Number</i>	<i>Qty.</i>	<i>Description</i>	<i>Ref.</i>	<i>Part Number</i>	<i>Qty.</i>	<i>Description</i>
1	134-0689	1	Bushing	32	134-1079	1	Nut
2	134-0796	1	Cover-Engine, Rear	33	134-1081	1	Nut
3	134-0797	2	Hood	34	134-1082	1	Nut
4	134-0798	1	Cover-Engine, Front	35	134-1092	1	Nut
5	134-0810	1	Bracket	36	134-1115	1	Screw
6	134-0837	1	Footrest	37	134-1116	1	Screw
7	134-0851	1	Frame	38	134-1140	1	Handle
8	134-0874	1	Bumper	39	134-1147	1	Hinge-Plastic
9	134-0891	1	Bracket	40	134-1152	1	Collar
10	134-0904	1	Bar-Tow	41	134-1163	1	Pad-Rubber
11	134-0911	1	Hook-Seat	42	134-1171	1	Seat-Grammer
12	134-0912	1	Column	43	134-1233	1	Washer
13	134-0941	1	Support-Seat	44	134-1253	1	Insert-Threaded
14	134-0974	1	Bracket	45	134-1257	1	Insert-Threaded
15	134-0975	1	Plate-Tow	46	134-1262	1	Clamp
16	134-1009	1	Screw	47	134-1274	1	Plate-Small
17	134-1011	1	Screw	48	134-1297	2	Screw
18	134-1015	1	Screw	49	134-1304	3	Screw
19	134-1019	1	Screw	50	134-1319	2	Clamp
20	134-1023	2	Screw	51	134-1326	1	Magnet
21	134-1026	1	Screw	52	134-1353	1	Spring
22	134-1027	1	Screw	53	134-0584	1	Valve-Lock, Differential
23	134-1041	1	Nut	54	134-2964	2	Ring-Snap
24	134-1042	3	Nut	55	134-3007	1	Plug-Rubber
25	134-1044	7	Washer	56	134-3008	2	Screw
26	134-1045	2	Washer	57	134-2999	1	Screw
27	134-1046	4	Washer	58	134-3009	1	Nut
28	134-1047	2	Washer	59	134-2969	1	Nut
29	134-1051	1	Washer	60	134-3095	1	Hydraulic Comp
30	134-1054	1	Washer	61	134-3967	1	Seat-Switch
31	134-1078	2	Nut				

# Flat Frame Assembly

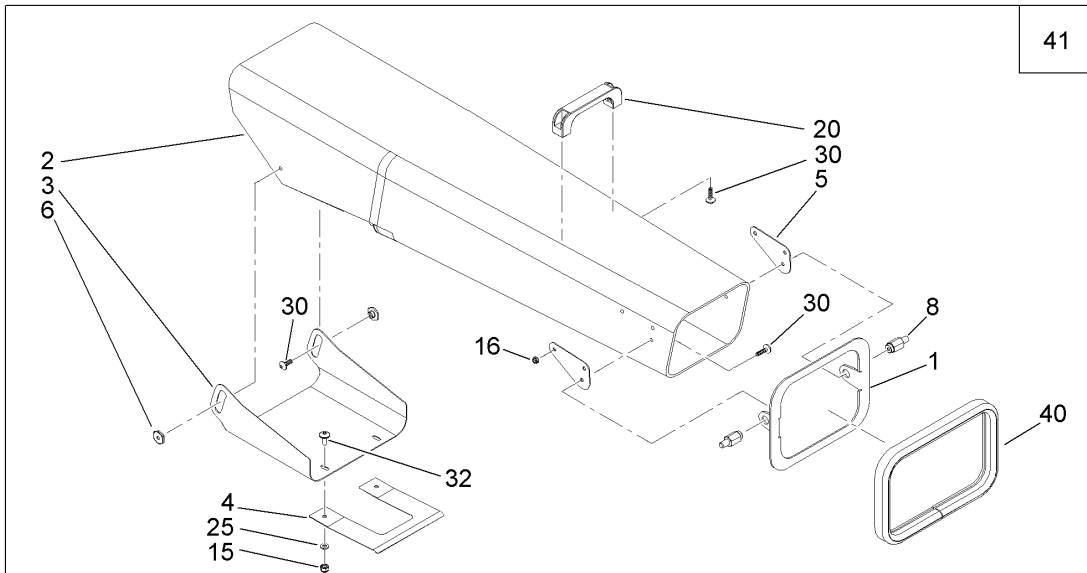
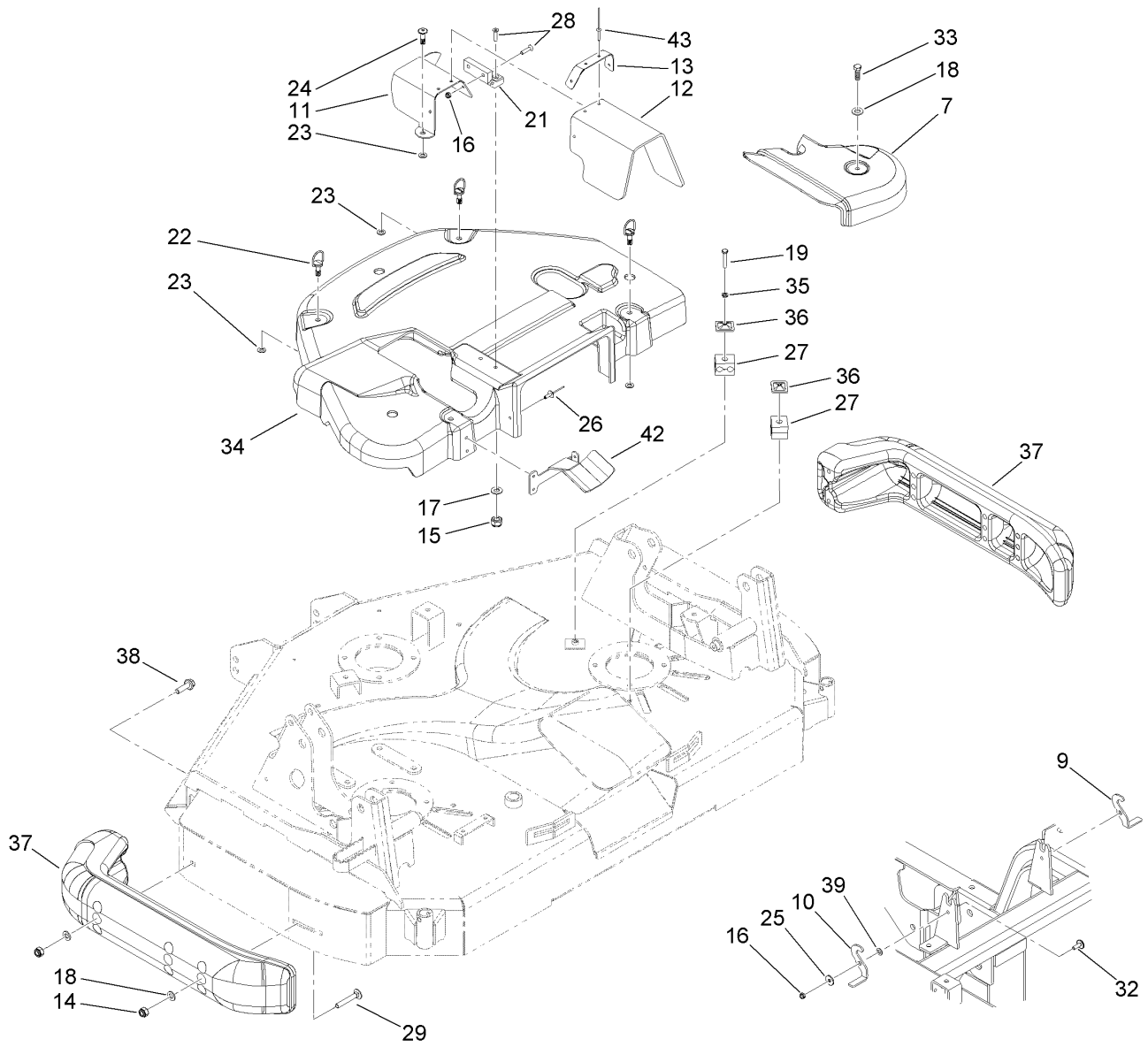




## Flat Frame Assembly (continued)

<i>Ref.</i>	<i>Part Number</i>	<i>Qty.</i>	<i>Description</i>	<i>Ref.</i>	<i>Part Number</i>	<i>Qty.</i>	<i>Description</i>
1	134-0692	1	Support	40	134-1080	1	Nut
2	134-0731	2	Bushing	41	134-1081	1	Nut
3	134-0738	1	Indicator-HOC	42	134-1083	1	Nut
4	134-0739	1	Rod	43	134-1090	1	Nut
5	134-0742	1	Pin	44	134-1097	1	Cap
6	134-0806	1	Lever	45	134-1114	1	Screw
7	134-0807	1	Lever	46	134-1131	4	Pin-Spring
8	134-0826	1	Cylinder-HYD	47	134-1165	1	Nut
9	134-0829	2	Block	48	134-1182	1	Pin
10	134-0856	2	Plate-Small	49	134-1205	2	Plug-Spirol
11	134-0859	1	Pin	50	134-1251	1	Fork-Clevis, M12
12	134-0865	1	Pin	51	134-1252	1	Clip
13	134-0901	1	Plate-Small	52	134-1304	1	Screw
14	134-0902	1	Plate-Small	53	134-1327	1	Articulation
15	134-0903	1	Indicator-HOC	54	134-1335	1	Valve-Lock
16	134-0935	1	Frame	55	134-1355	2	Washer
17	134-0936	2	Footrest	56	134-0662	1	Yoke-Deck, Cutter
18	134-0944	1	Bracket	57	134-0561	1	Nut
19	134-0951	1	Bracket	58	134-1363	1	Wheel
20	134-0997	1	Washer	59	134-0616	1	Yoke-LH
21	134-1011	3	Screw	60	134-0660	1	Pin-Unhooking
22	134-1023	1	Screw	61	134-0593	1	Pin
23	134-1024	2	Screw	63	134-0592	1	Head-Joint
24	134-1035	1	Nut	64	134-0642	1	Pin
25	134-1037	1	Nut	65	134-0639	1	Wheel-Anti Scalp
26	134-1041	1	Nut	66	134-0641	1	Spring
27	134-1042	1	Nut	67	134-1079	1	Nut
28	134-1043	1	Nut	68	68-6840	1	Shaft-Roller
29	134-1044	1	Washer	69	68-6710	1	Roller
30	134-1045	2	Washer	70	134-3010	1	Screw
31	134-1046	3	Washer	71	134-3011	1	Screw-HH
32	134-1047	3	Washer	72	134-3012	3	Washer
33	134-1048	1	Washer	73	134-3013	1	Screw-HH
34	134-1054	2	Washer	74	134-2957	1	Pin-Split
35	134-1055	1	Bearing	75	134-3016	2	Circlip
36	134-1056	2	Bearing	76	134-3017	1	Screw-HH
37	134-1059	1	Ring-Retaining, Int	77	134-3019	1	Screw
38	134-1060	1	Ring-Retaining, Int	78	134-3012	1	Washer
39	134-1065	2	Fitting-Grease				

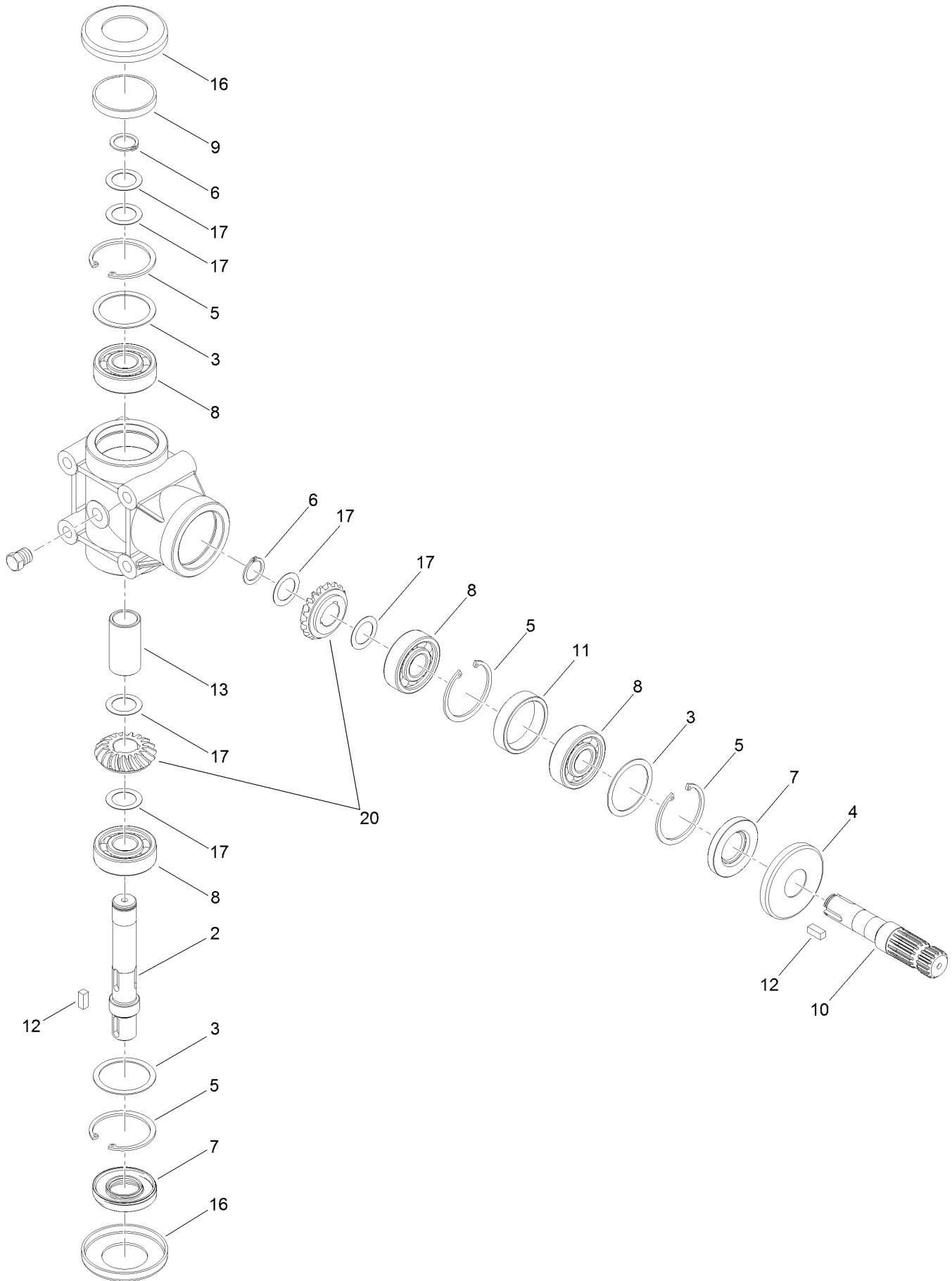
# Grass Conveyor Hood Assembly



## Grass Conveyor Hood Assembly (continued)

<i>Ref.</i>	<i>Part Number</i>	<i>Qty.</i>	<i>Description</i>	<i>Ref.</i>	<i>Part Number</i>	<i>Qty.</i>	<i>Description</i>
1	134-0793	1	Bracket	22	134-1191	1	Pin
2	134-1995	1	Chute-Grass	23	134-1192	3	Washer
3	134-1994	1	Bracket-Chute	24	134-1196	1	Pin
4	134-0801	1	Plate	25	134-1234	2	Washer
5	134-0802	1	Bracket	26	134-1246	1	Rivet
6	134-0803	1	Pin	27	134-1248	2	Collar
7	134-0831	1	Cover	28	134-1297	1	Screw
8	134-0882	1	Pin	29	134-1300	1	Screw
9	134-0917	1	Hook-Chute, RH	30	134-1314	3	Screw
10	134-0918	1	Hook-Chute, LH	32	134-1304	1	Screw
11	134-0962	1	Guard-Cable	33	134-3021	1	Screw
12	134-0963	1	Grommet-Rubber, Fender	34	134-0656	1	Fairing-Deck, Cutter
13	134-0964	1	Bracket	35	134-3023	1	Washer
14	134-1038	1	Nut	36	134-3024	2	Small Plate
15	134-1041	2	Nut	37	112-1479	2	Skid-Bumper, Deck
16	134-1042	3	Nut	38	9136144	1	Screw-HWHTF
17	134-1044	1	Washer	39	134-3027	1	Washer-Wave
18	134-1045	2	Washer	40	134-3028	1	Rubber Seal-Chute
19	134-1069	1	Screw	41	134-3029	1	Grass Conveyor ASM
20	134-1140	1	Handle	42	134-0966	1	Protector-Hose
21	134-1147	1	Hinge-Plastic	43	134-1240	4	Rivet

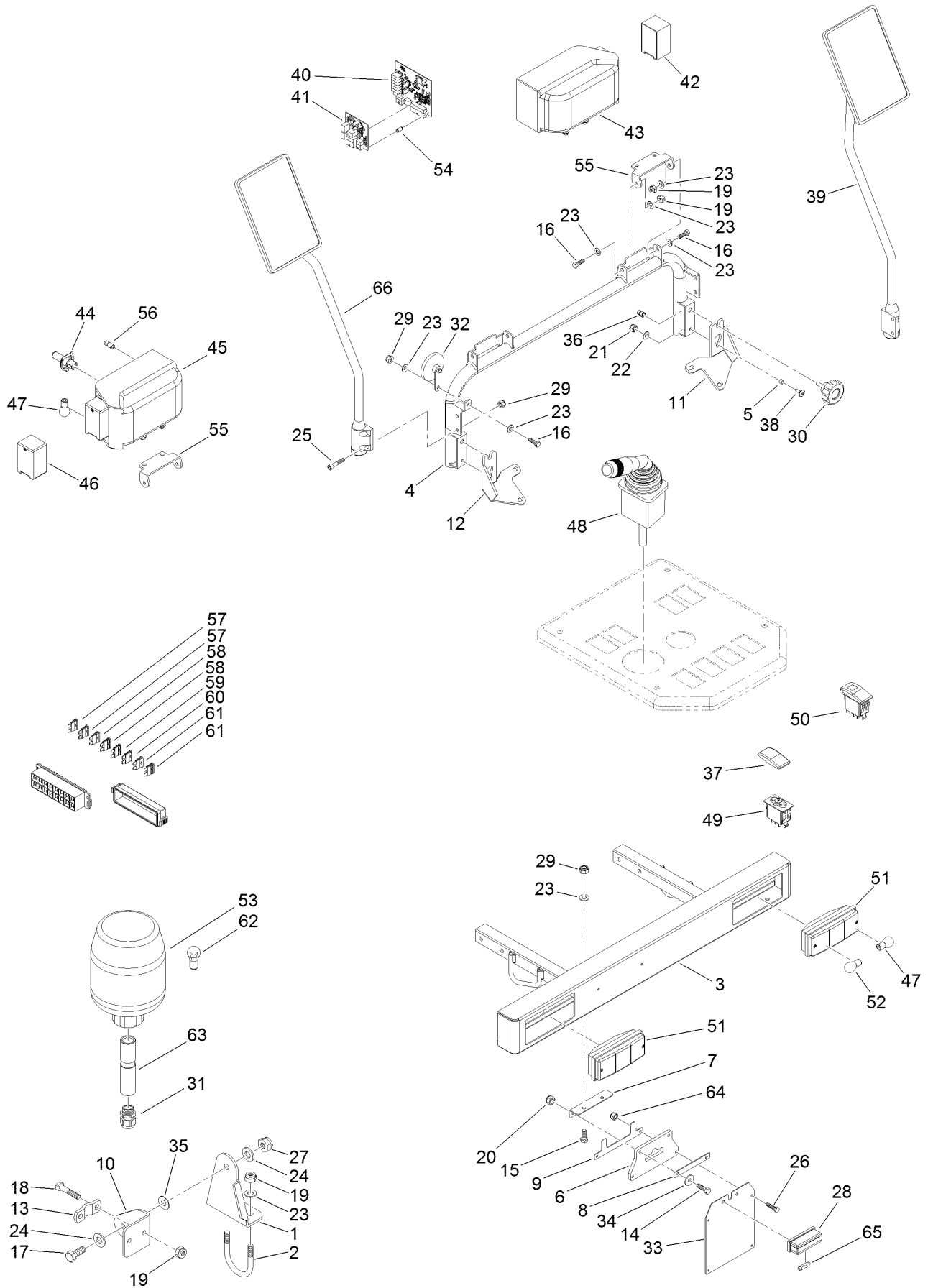
# Gearbox Assembly No. 134-0623



## Gearbox Assembly No. 134-0623 (continued)

<i>Ref.</i>	<i>Part Number</i>	<i>Qty.</i>	<i>Description</i>	<i>Ref.</i>	<i>Part Number</i>	<i>Qty.</i>	<i>Description</i>
2	134-0702	1	Shaft	10	134-1339	1	Shaft
3	134-0996	3	Spacer	11	134-1340	1	Spacer
4	134-1001	1	Cover	12	134-1341	2	Key-Shaft
5	134-1057	4	Ring-Retaining, Int	13	134-1342	1	Spacer
6	134-1060	2	Ring-Retaining, Int	16	134-1345	2	Cover
7	134-1096	2	Seal	17	134-1354	5	Spacer
8	134-1110	4	Bearing	20	134-1344	1	Gear-Set
9	134-1238	1	Cap				

# Lighting Assembly

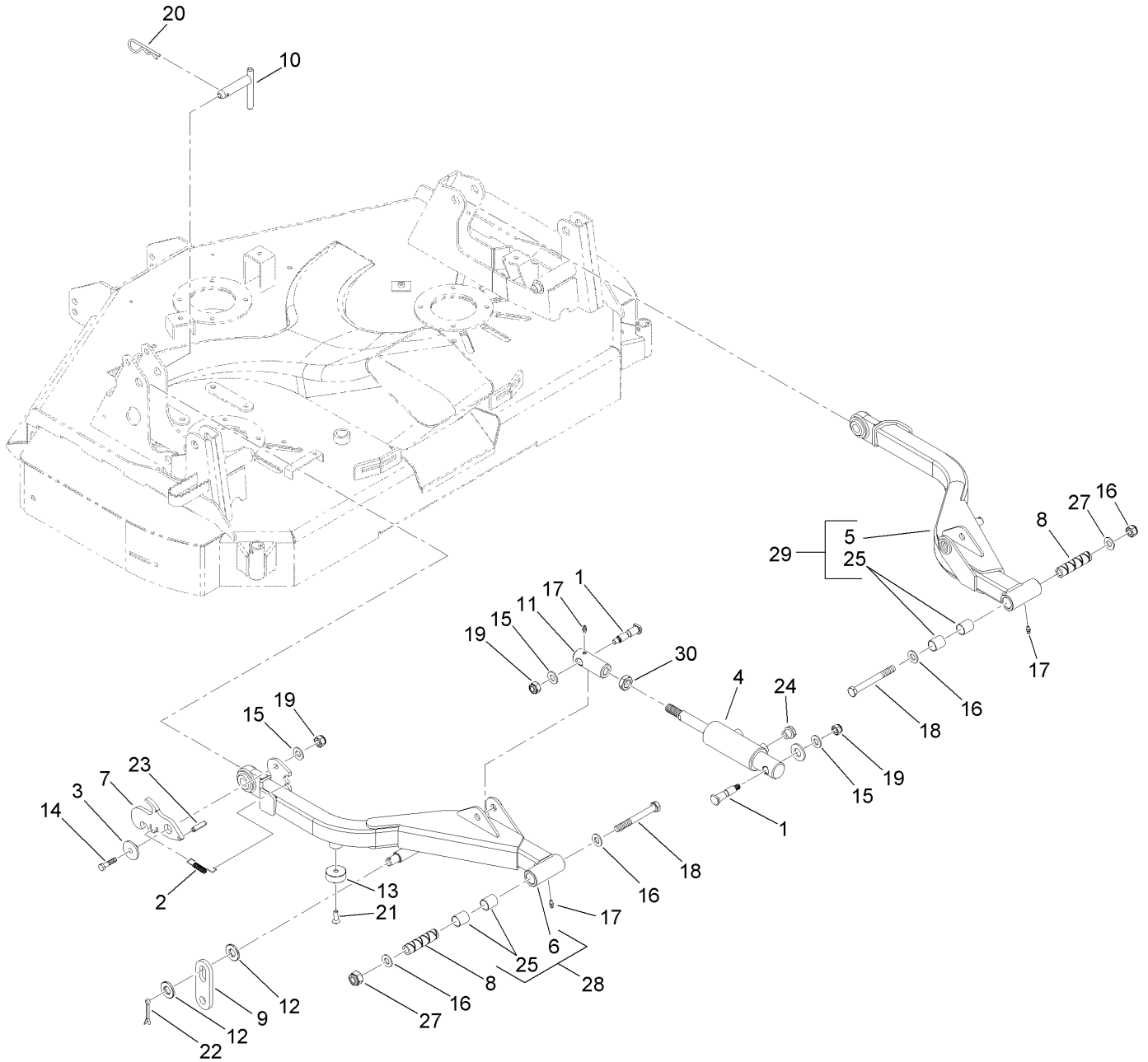


## Lighting Assembly (continued)

<i>Ref.</i>	<i>Part Number</i>	<i>Qty.</i>	<i>Description</i>	<i>Ref.</i>	<i>Part Number</i>	<i>Qty.</i>	<i>Description</i>
1	134-0748	1	Bracket	36	134-1260	1	Insert-Threaded
2	134-0749	1	Jumper-Turn Light	37	134-1290	1	Rocker-Switch, Beacon
3	134-0874	1	Bumper	38	134-1304	1	Screw
4	134-0876	1	Bar-Lights, Front	39	134-1317	1	Mirror-Rear View
5	134-0877	1	Spacer	40	134-1991	1	Control Unit-Machine, Electronic
6	134-0922	1	Plate-License, Rubber	41	134-0597	1	Control Unit-Light, Electric
7	134-0923	1	Bracket	42	134-0668	1	Indicator-RH
8	134-0924	1	Bracket	43	134-0588	1	Headlight-RH
9	134-0925	1	Bracket	44	134-0590	1	Bulb-Headlight, Main
10	134-0972	1	Bracket	45	134-0589	1	Headlight-LH
11	134-0992	1	Bracket	46	134-0669	1	Indicator-LH
12	134-0993	1	Bracket	47	134-0566	1	Bulb-Indicator
13	134-1000	1	Plate-Small	48	134-0613	1	Control-Switch, Signal, Lights, Horn
14	134-1009	1	Screw	49	134-0609	1	Switch-HOC
15	134-1011	1	Screw	50	134-0608	1	Switch-Hazard
16	134-1015	3	Screw	51	134-0564	1	Tail Light
17	134-1018	1	Screw	52	134-0565	1	Bulb-Light, Side, Brake
18	134-1027	1	Screw	53	134-0587	1	Beacon-Rotating
19	134-1038	3	Nut	54	134-3034	4	Pin-Plastic
20	134-1041	1	Nut	55	134-3035	2	Bracket
21	134-1042	1	Nut	56	134-3036	1	Bulb-Side
22	134-1044	1	Washer	57	134-2983	2	Fuse 5A
23	134-1045	1	Washer	58	134-3037	1	Fuse-7.5A
24	134-1046	1	Washer	59	134-3038	2	Fuse-10A
25	134-1068	1	Screw	60	134-2985	1	Fuse 15A
26	134-1074	1	Screw	61	134-2986	2	Fuse-Blade, 3 Amp
27	134-1081	1	Nut	62	134-3042	1	Bulb-Beacon
28	134-1089	1	Lamp-License Plate	63	134-3043	1	Pipe
29	134-1092	3	Nut	64	134-3044	1	Nut
30	134-1178	1	Knob	65	134-3045	1	Bulb-Licence
31	134-1223	1	Fitting-Union	66	134-1276	1	Mirror-Rear View
32	134-1224	1	Horn	67	134-3114	1	Light Harness ●
33	134-1226	1	Plate-Support	68	134-3117	1	Wiring Harness-Lights ●
34	134-1234	1	Washer				
35	134-1237	1	Washer-Belleville				

● Not illustrated

# Lift Arms Assembly

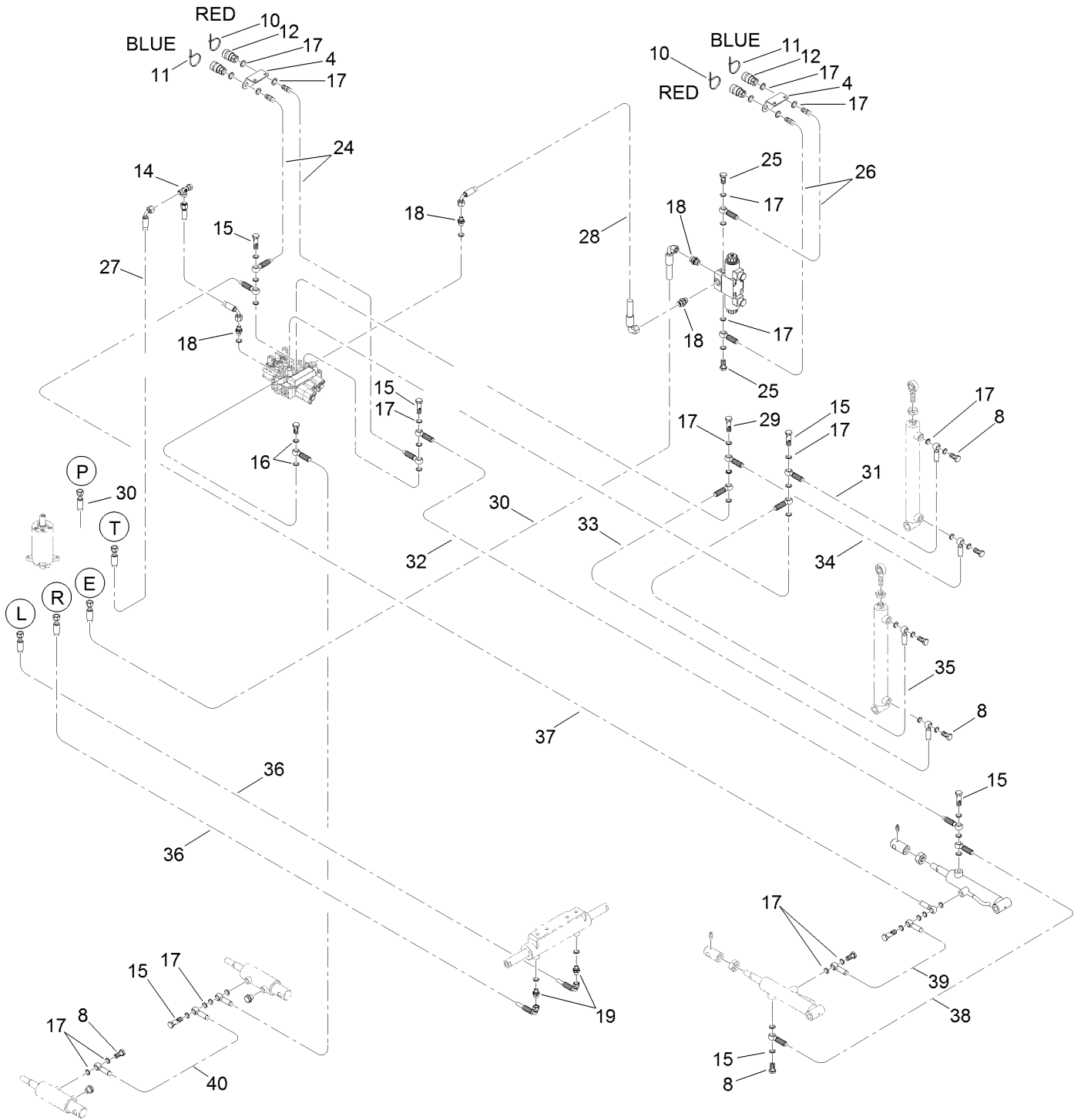




## Lift Arms Assembly (continued)

<i>Ref.</i>	<i>Part Number</i>	<i>Qty.</i>	<i>Description</i>	<i>Ref.</i>	<i>Part Number</i>	<i>Qty.</i>	<i>Description</i>
1	134-0693	2	Pin	16	134-1047	4	Washer
2	134-0695	1	Spring	17	134-1065	3	Fitting-Grease
3	134-0710	1	Bushing	18	134-1075	2	Screw
4	134-0838	2	Cylinder-HYD, Deck Lift	19	134-1081	3	Nut
5	134-0852	1	Arm-Lift, RH	20	134-1098	1	Pin-Spring
6	134-0853	1	Arm-Lift, LH	21	134-1121	1	Screw
7	134-0881	1	Lever-Hook	22	134-1131	1	Pin-Spring
8	134-0899	2	Bushing	23	134-1136	1	Plug-Spirol
9	134-0902	1	Plate-Small	24	134-1153	1	Cap-Breather
10	134-0915	1	Pin	25	134-1187	3	Bushing
11	134-0930	1	Support	27	134-0561	1	Nut
12	134-0977	2	Washer-Plastic	28	134-3048	1	Lift Arm ASM LH
13	134-0990	1	Washer-Rubber	29	134-3046	1	Lift Arm ASM RH
14	134-1019	1	Screw	30	134-3115	1	Nut
15	134-1046	3	Washer				

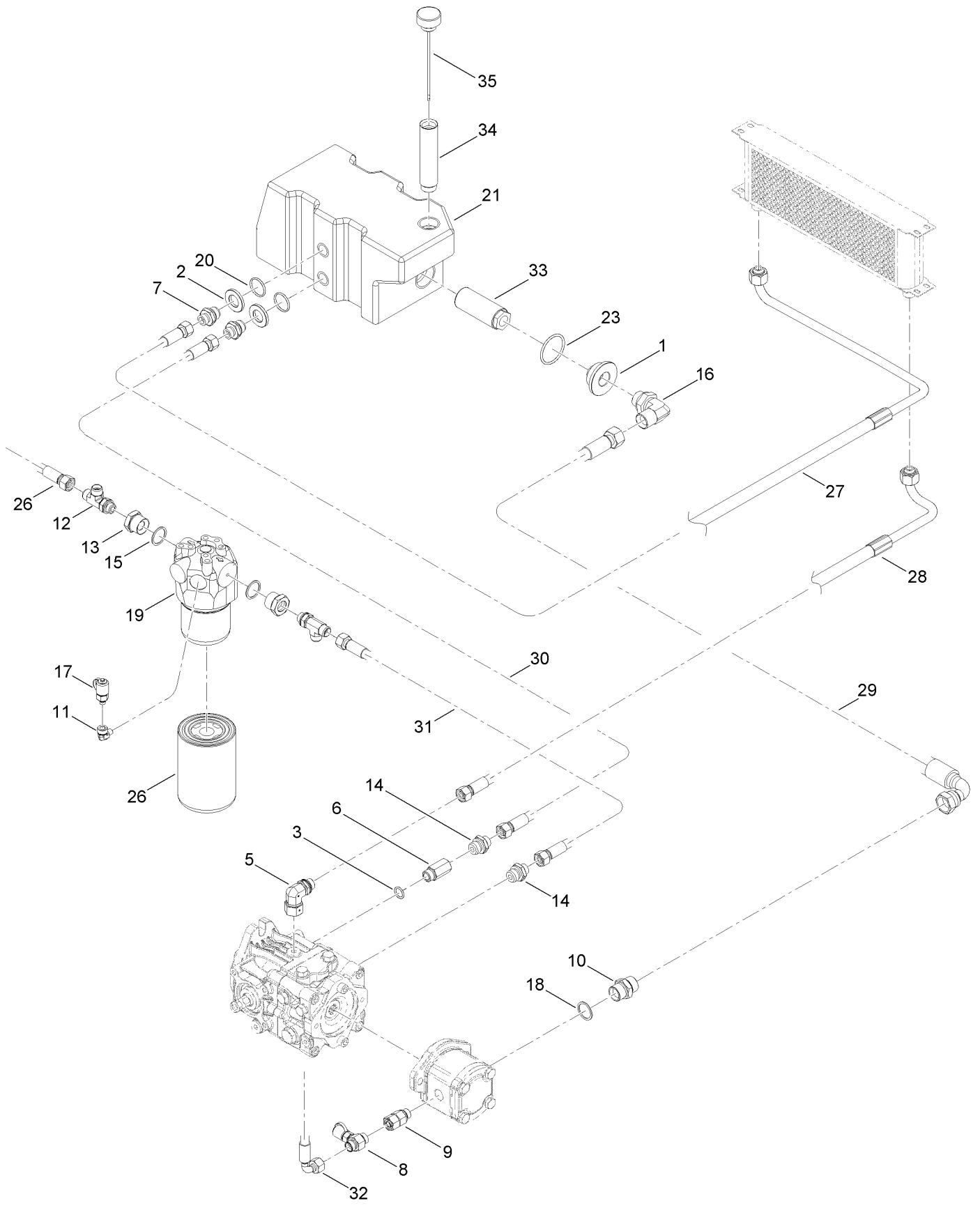
# Lubrication Service Assembly



## Lubrication Service Assembly (continued)

<i>Ref.</i>	<i>Part Number</i>	<i>Qty.</i>	<i>Description</i>	<i>Ref.</i>	<i>Part Number</i>	<i>Qty.</i>	<i>Description</i>
4	134-0960	2	Bracket	27	134-3052	1	Hydraulic Hose
8	134-1102	4	Screw	28	134-3053	1	Hydraulic Hose
10	134-1169	2	Clamp Red	29	134-3055	2	Screw
11	134-1170	2	Clamp Blue	30	134-3056	2	Hydraulic Hose
12	134-1206	2	Coupler-Quick, Female	31	134-3057	1	Hydraulic Hose
14	134-1218	1	Adaptor-90 DEG	32	134-3059	1	Hydraulic Hose
15	134-1245	6	Screw	33	134-3060	1	Hydraulic Hose
16	134-1247	1	Fitting-Reducer	34	134-3061	2	Hydr Pipe 3/16 950
17	134-1255	13	Washer	35	134-3062	1	Hydraulic Hose
18	134-1266	4	Fitting-Nipple	36	134-3063	2	Hydraulic Hose
19	134-1270	1	Fitting-Nipple	37	134-3064	1	Hydraulic Hose
24	134-3049	1	Hydraulic Hose	38	134-3065	1	Hydraulic Hose
25	134-3050	3	Screw	39	134-3066	1	Hydraulic Hose
26	134-3051	1	Hydraulic Hose	40	134-3067	1	Hydraulic Hose

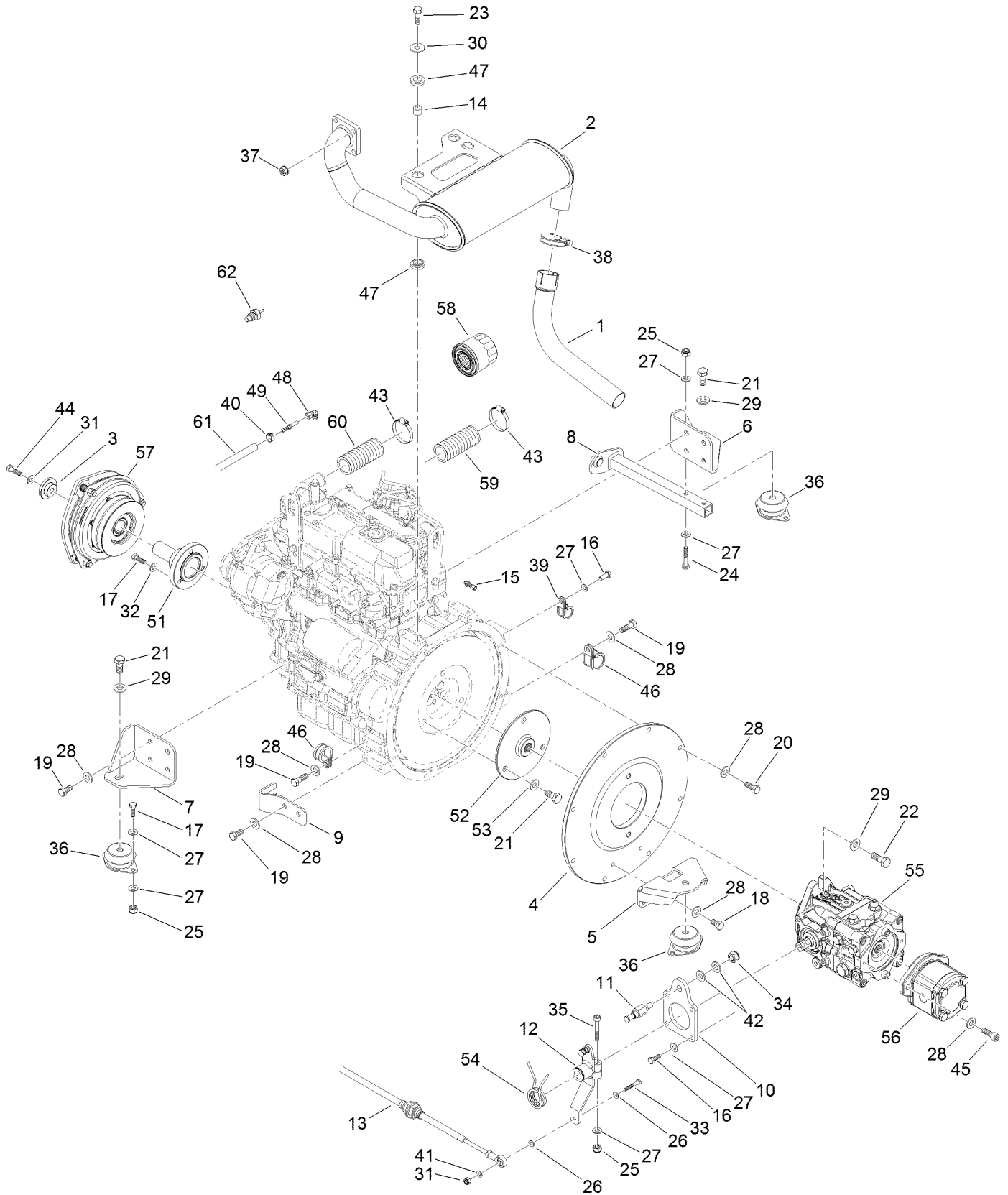
# Oil Filter System Assembly



## Oil Filter System Assembly (continued)

<i>Ref.</i>	<i>Part Number</i>	<i>Qty.</i>	<i>Description</i>	<i>Ref.</i>	<i>Part Number</i>	<i>Qty.</i>	<i>Description</i>
1	134-0820	1	Support-Filter, Oil	18	134-1332	1	Washer
2	134-0887	1	Washer	19	134-1336	1	Filter ASM
3	134-1032	1	O-Ring	20	134-0569	1	O-Ring
5	134-1211	1	Adaptor-90 DEG	21	134-0635	1	Tank-Oil
6	134-1212	1	Valve-One Direction Only	23	134-0617	1	O-Ring
7	134-1213	1	Fitting-Nipple	26	134-1368	1	Element-Filter , Hydraulic
8	134-1214	1	Adaptor	27	134-3070	1	Hydraulic Hose
9	134-1215	1	Adaptor	28	134-3071	1	Hydraulic Hose
10	134-1216	1	Fitting	29	134-3072	1	Hydraulic Hose
11	134-1217	1	Adaptor-90 DEG	30	134-3073	1	Hydraulic Hose
12	134-1218	1	Adaptor-90 DEG	31	134-3074	1	Hydraulic Hose
13	134-1219	1	Fitting-Reducer	32	134-3056	1	Hydraulic Hose
14	134-1220	2	Fitting-Nipple	33	134-3123	1	Filter-Tank, Hydraulic
15	134-1256	1	Washer	34	134-0786	1	Filler-Tank, Oil
16	134-1275	1	Adaptor-90 DEG	35	134-1210	1	Cap-Oil
17	134-1331	1	Fitting-Test				

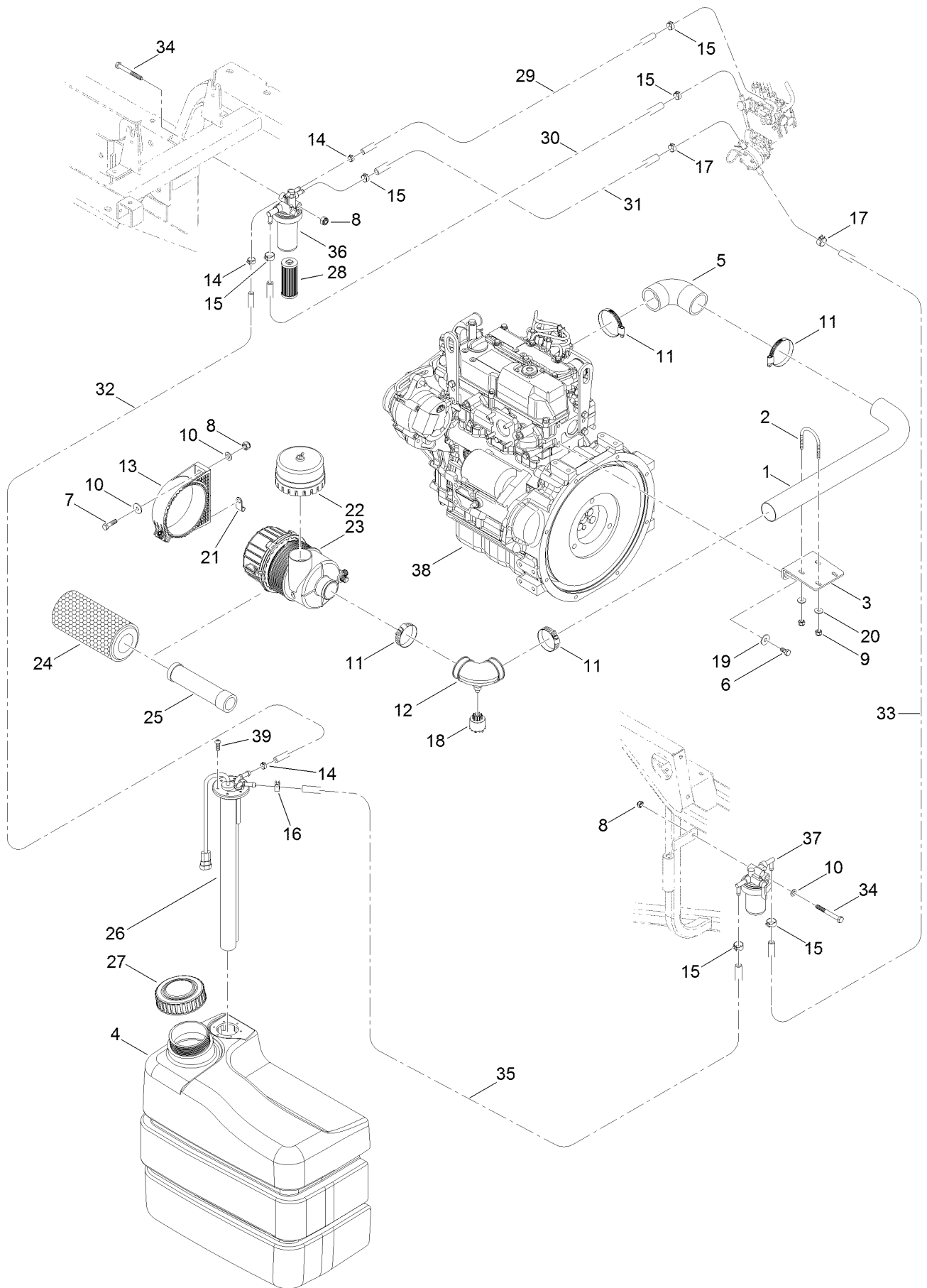
# Engine, Pump and Friction Assembly



## Engine, Pump and Friction Assembly (continued)

<i>Ref.</i>	<i>Part Number</i>	<i>Qty.</i>	<i>Description</i>	<i>Ref.</i>	<i>Part Number</i>	<i>Qty.</i>	<i>Description</i>
1	134-0781	1	Pipe-Exhaust	32	134-1054	1	Washer
2	134-0785	1	Muffler	33	134-1069	1	Screw
3	134-0819	1	Bushing	34	134-1079	1	Nut
4	134-0821	1	Plate, Mounting, Pump	35	134-1120	1	Screw
5	134-0822	1	Support-Engine, Ctr	36	134-1157	3	Shock Absorber
6	134-0823	1	Support-Engine, LH	37	134-1166	1	Nut
7	134-0824	1	Support-Engine, RH	38	134-1195	1	Clamp
8	134-0830	1	Stop-Clutch	39	134-1197	1	Clamp
9	134-0844	1	Support	40	134-1201	1	Clamp
10	134-0847	1	Bracket	41	134-1234	1	Washer
11	134-0848	1	Shaft-Neutral, Hydrostat	42	134-1237	1	Washer-Belleville
12	134-0849	1	Lever-Forward, Pedal	43	134-1277	1	Clamp
13	134-0854	1	Cable-Forward	44	134-1301	1	Screw
14	134-0862	1	Spacer	45	134-1306	1	Screw
15	134-0867	1	Adjuster	46	134-1321	2	Clamp
16	134-1011	2	Screw	47	134-1325	2	Shock Absorber
17	134-1015	2	Screw	48	134-1333	1	Adaptor-90 DEG
18	134-1016	1	Screw	49	134-1334	2	Fitting
19	134-1017	4	Screw	51	134-0629	1	Shaft-Drive
20	134-1018	1	Screw	52	134-0633	1	Joint
21	134-1020	3	Screw	53	134-0591	1	Washer
22	134-1021	1	Screw	54	134-0638	1	Spring-Return
23	134-1023	1	Screw	55	134-0580	1	Pump-Drive
24	134-1029	1	Screw	56	134-0583	1	Pump-Gear, Hydraulic
25	134-1038	3	Nut	57	134-0578	1	Clutch
26	134-1044	2	Washer	58	135-4181	1	Filter-Oil, Engine
27	134-1045	7	Washer	59	134-2977	1	Pipe
28	134-1046	7	Washer	60	134-2976	1	Pipe
29	134-1047	3	Washer	61	134-2978	1	Pipe
30	134-1048	1	Washer	62	134-3128	1	Sensor-Temperature (X1 Terminal)
31	134-1051	2	Washer				

# Engine, Fuel and Suction Assembly

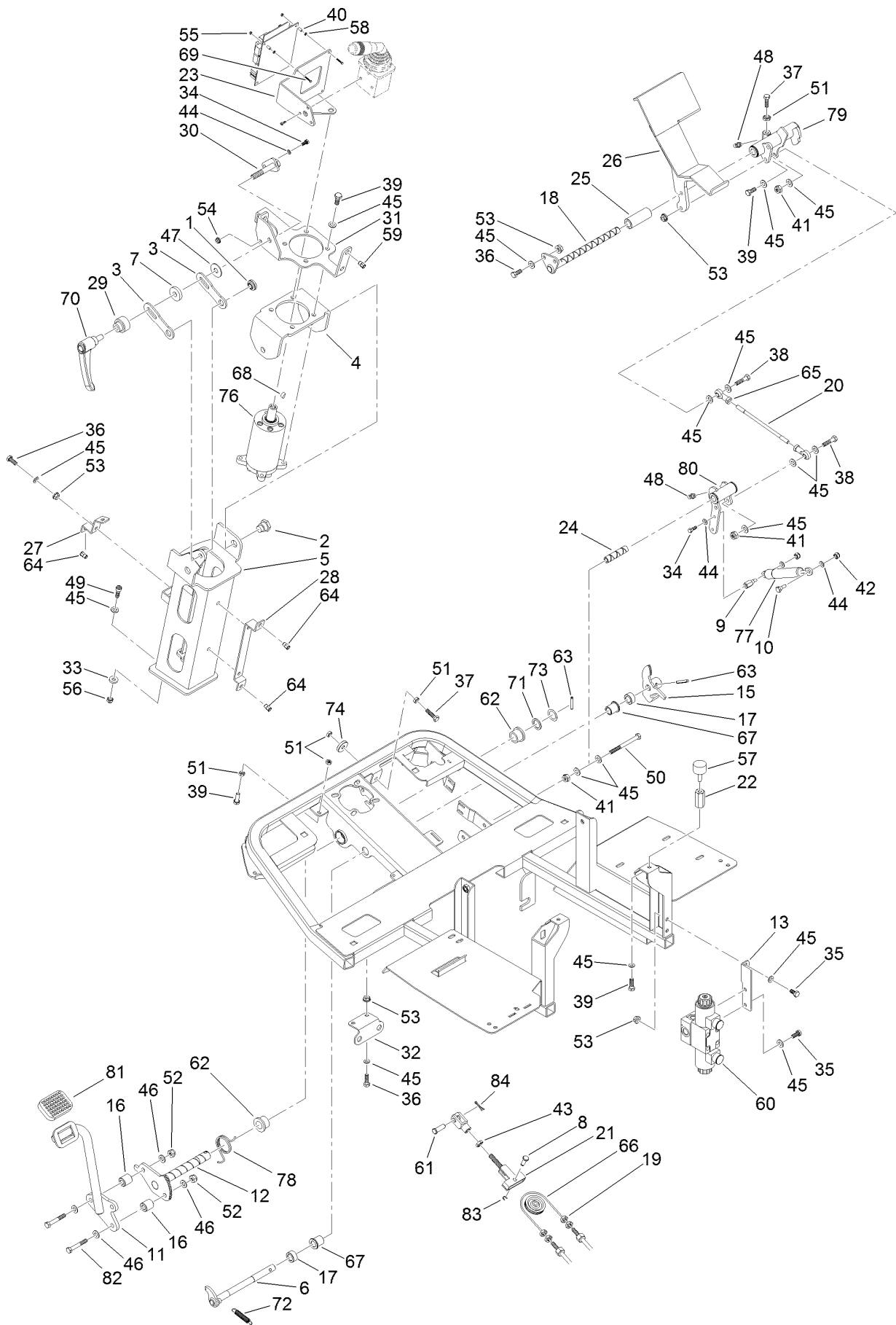




## Engine, Fuel and Suction Assembly (continued)

<i>Ref.</i>	<i>Part Number</i>	<i>Qty.</i>	<i>Description</i>	<i>Ref.</i>	<i>Part Number</i>	<i>Qty.</i>	<i>Description</i>
1	134-0788	1	Tube-Suction, Engine	21	134-1348	1	Grommet
2	134-0790	1	U-Bolt	22	134-0567	1	Prefilter-Air
3	134-0804	1	Bracket	23	134-0575	1	Filter-Air
4	134-1989	1	Tank-Fuel	24	134-0574	1	Cartridge-Filter
5	134-0889	1	Tube-Suction, Engine	25	134-0576	1	Element-Air Filter, Inner
6	134-1010	1	Screw	26	134-0573	1	Float
7	134-1012	1	Screw	27	134-1988	1	Cap-Tank, Diesel
8	134-1038	2	Nut	28	134-3085	2	Element-Filter, Fuel
9	134-1042	1	Nut	29	134-3078	1	Hose-Fuel
10	134-1045	4	Washer	30	134-3079	1	Hose-Fuel
11	134-1103	4	Clamp	31	134-3080	1	Pipe
12	134-1176	1	Manifold	32	134-3081	1	Pipe
13	134-1177	1	Clamp	33	134-3082	1	Pipe
14	134-1200	2	Clamp	34	134-3083	2	Screw
15	134-1201	7	Clamp	35	134-3084	1	Pipe
16	134-1202	1	Clamp	36	134-1447	1	Fuel Filter ASM
17	134-1203	2	Clamp	37	134-1509	1	Water Separator ASM
18	134-1228	1	Indicator-Filter, Air	38	134-3116	1	Engine-Yanmar
19	134-1233	1	Washer	39	134-1312	4	Screw
20	134-1234	1	Washer				

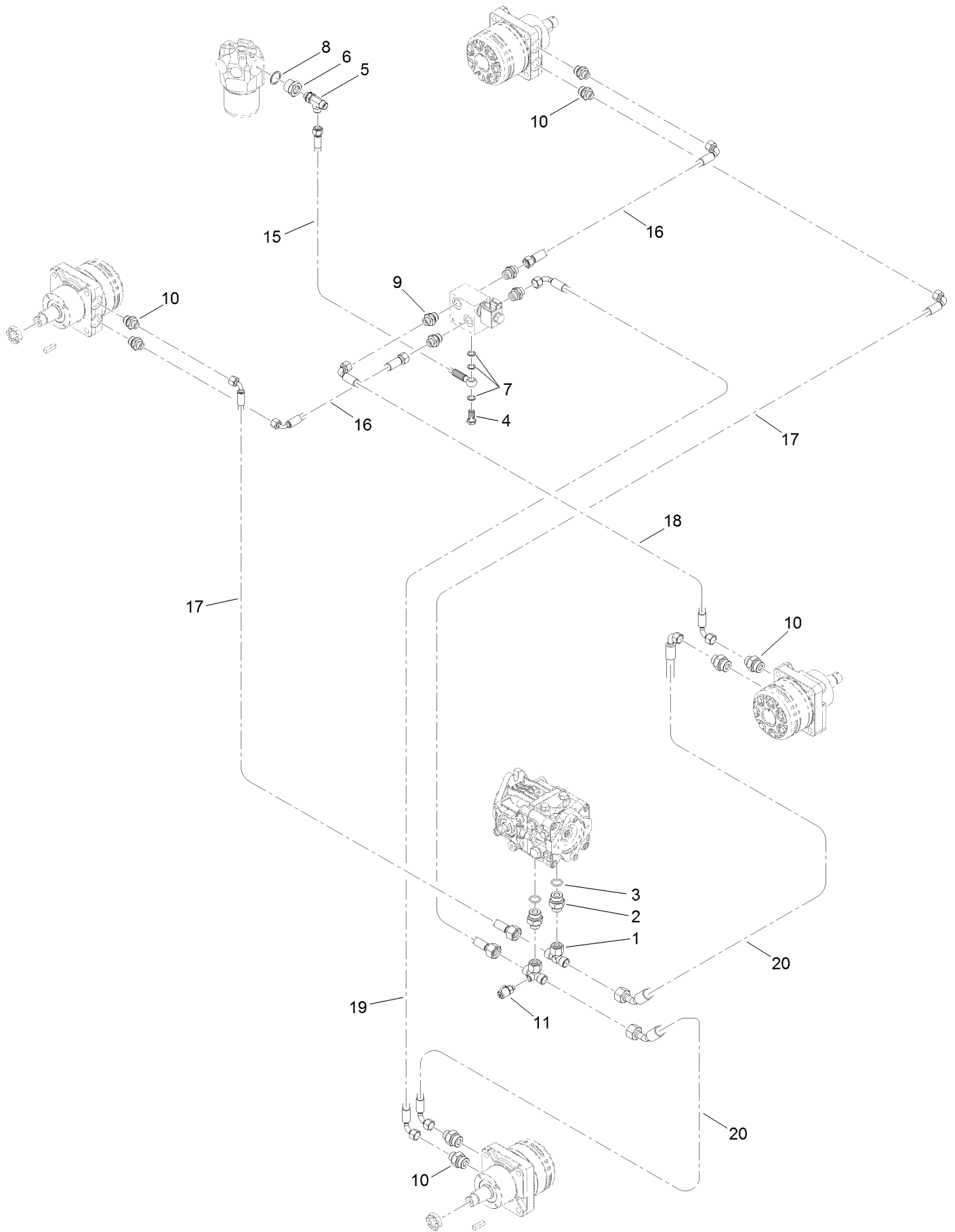
# Operator Platform Assembly



## Operator Platform Assembly (continued)

<i>Ref.</i>	<i>Part Number</i>	<i>Qty.</i>	<i>Description</i>	<i>Ref.</i>	<i>Part Number</i>	<i>Qty.</i>	<i>Description</i>
1	134-0703	1	Bushing	43	134-1043	1	Nut
2	134-0705	1	Pin	44	134-1044	3	Washer
3	134-0706	2	Rod-Connecting	45	134-1045	16	Washer
4	134-0707	1	Hinge	46	134-1046	3	Washer
5	134-0708	1	Column-Steering	47	134-1048	1	Washer
6	134-0716	1	Camshaft	48	134-1065	2	Fitting-Grease
7	134-0746	1	Spacer	49	134-1068	1	Screw
8	134-0750	1	Pin	50	134-1073	1	Screw
9	134-0756	1	Pin	51	134-1078	4	Nut
10	134-0757	1	Pin	52	134-1081	2	Nut
11	134-0789	1	Pedal-Brake	53	134-1082	5	Nut
12	134-0791	1	Pedal-Brake	54	134-1084	1	Nut
13	134-0836	1	Bracket	55	134-1085	1	Nut
15	134-0846	1	Lock-Brake	56	134-1092	1	Nut
16	134-0888	2	Spacer	57	134-1163	1	Pad-Rubber
17	134-0894	2	Spacer	58	134-1167	1	Nut
18	134-0896	1	Pin	59	134-1194	1	Insert-Threaded
19	134-0898	1	Cable-Brake	60	134-1209	1	Valve-Electric
20	134-0907	1	Lever-Valve, Aux	61	134-1242	1	Pin
21	134-0910	1	Fork	62	134-1249	2	Bushing
22	134-0912	1	Column	63	134-1254	2	Plug-Spirol
23	134-0929	1	Support	64	134-1257	3	Insert-Threaded
24	134-0934	1	Bushing	65	134-1259	1	Head-Cylinder
25	134-0938	1	Spacer	66	134-1263	1	Pulley
26	134-0940	1	Pedal-Forward/Reverse	67	134-1264	2	Bushing
27	134-0942	1	Bracket	68	134-1272	1	Key-Shaft
28	134-0943	1	Bracket	69	134-1313	1	Screw
29	134-0948	1	Bushing	70	134-1322	1	Handlesteering Column
30	134-0949	1	Screw	71	134-1323	1	Spacer
31	134-0957	1	Support	72	134-1353	1	Spring
32	134-0960	1	Bracket	73	134-1354	1	Spacer
33	134-0997	1	Washer	74	134-1355	1	Washer
34	134-1008	2	Screw	76	134-0581	1	Drive-Hydraulic
35	134-1010	2	Screw	77	134-0594	1	Absorber-Shock
36	134-1011	3	Screw	78	134-0634	1	Spring-Pedal, Brake
37	134-1013	2	Screw	79	134-3087	1	Traction Pedal Pin
38	134-1014	2	Screw	80	134-3088	1	Pedal Comp
39	134-1015	4	Screw	81	134-3089	1	Dust Cap
40	134-1031	1	Bushing-Nylon	82	134-3090	1	Screw
41	134-1038	3	Nut	83	134-3091	1	Ring Snap
42	134-1042	1	Nut	84	134-2957	1	Pin-Split

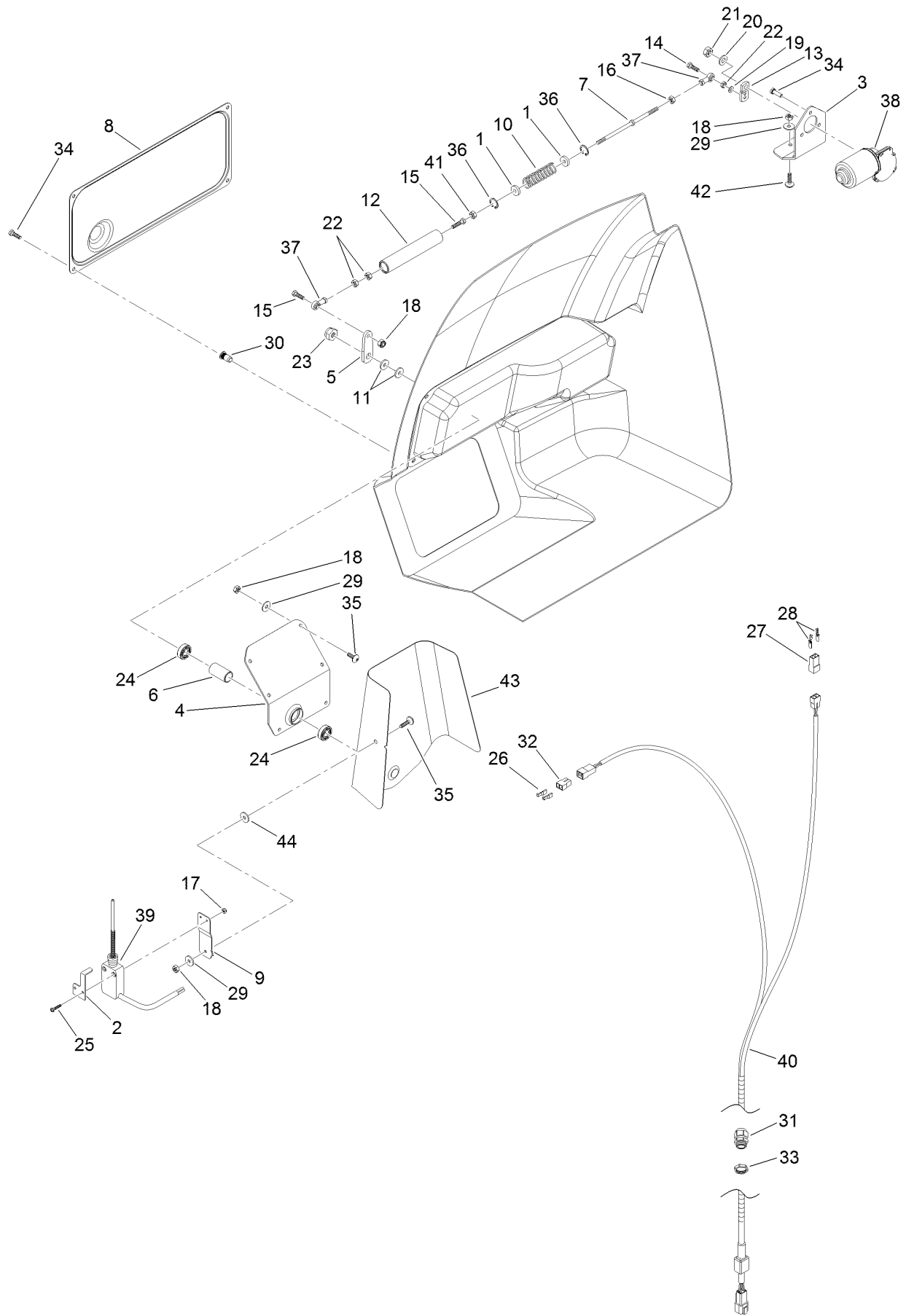
# Oil System Motors Assembly



## Oil System Motors Assembly (continued)

<i>Ref.</i>	<i>Part Number</i>	<i>Qty.</i>	<i>Description</i>	<i>Ref.</i>	<i>Part Number</i>	<i>Qty.</i>	<i>Description</i>
1	134-0754	1	Fitting-Adapter, T	10	134-1329	4	Fitting-Nipple
2	134-0855	1	Fitting	11	134-1331	1	Fitting-Test
3	134-1064	1	O-Ring	15	134-3093	1	Hydraulic Hose
4	134-1102	1	Screw	16	134-3094	2	Hydraulic Hose
5	134-1218	1	Adaptor-90 DEG	17	134-3096	2	Hydraulic Hose
6	134-1219	1	Fitting-Reducer	18	134-3097	1	Hydraulic Hose
7	134-1255	2	Washer	19	134-3099	1	Hydraulic Hose
8	134-1256	1	Washer	20	134-3100	2	Hydraulic Hose
9	134-1267	1	Fitting				

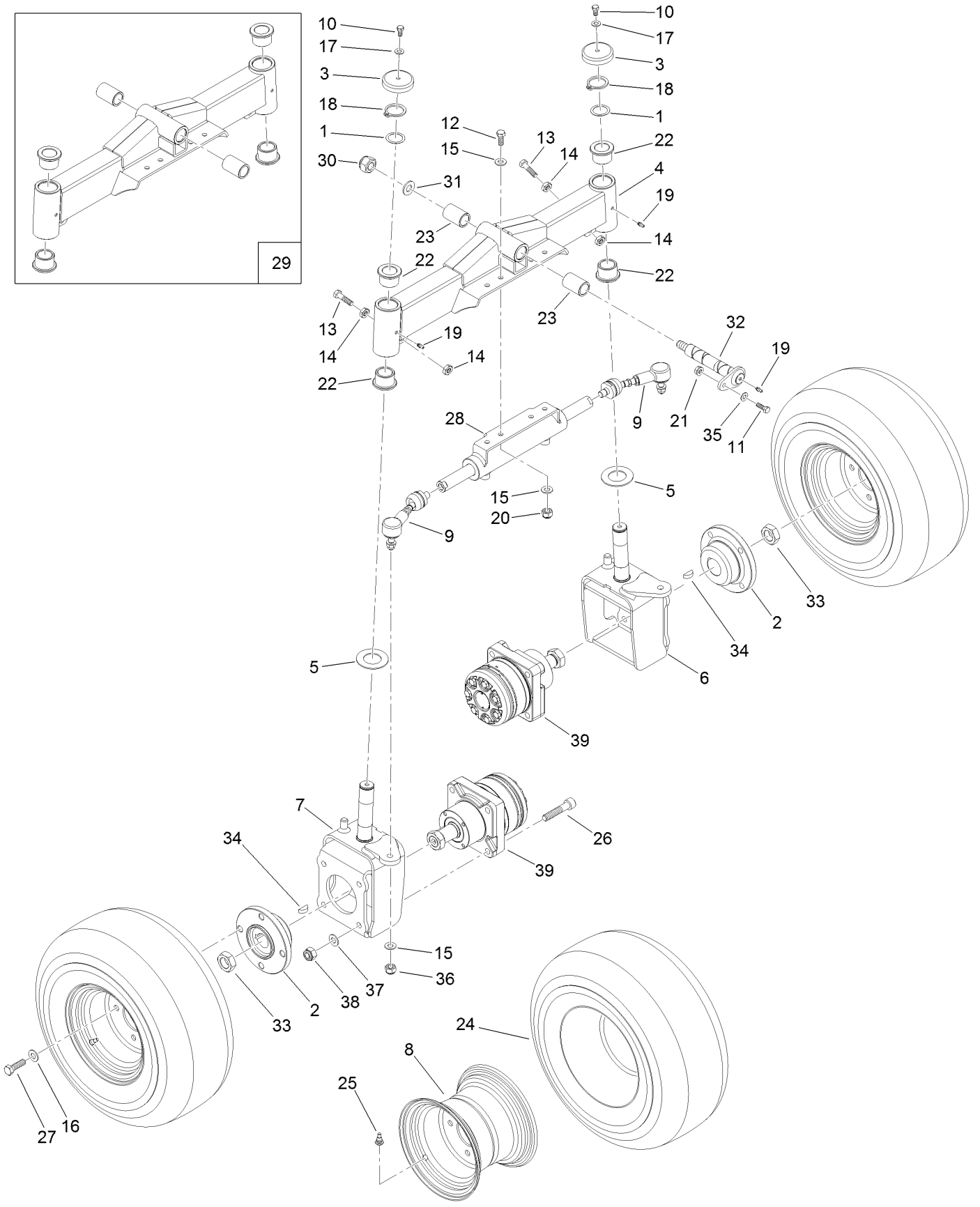
# Road Basket Assembly



## Road Basket Assembly (continued)

<i>Ref.</i>	<i>Part Number</i>	<i>Qty.</i>	<i>Description</i>	<i>Ref.</i>	<i>Part Number</i>	<i>Qty.</i>	<i>Description</i>
1	134-0691	2	Washer	24	134-1104	2	Bearing
2	134-0700	1	Bracket	25	134-1113	1	Screw
3	134-0766	1	Support-Engine	26	134-1221	1	Cap-Cable End, Female
4	134-0767	1	Support-Spreader	27	134-1222	1	Connector-Electric
5	134-0768	1	Lever-Hopper	28	134-1225	1	Connector
6	134-0841	1	Spacer	29	134-1234	3	Washer
7	134-0872	1	Rod	30	134-1253	1	Insert-Threaded
8	134-0914	1	Cover	31	134-1278	1	Fitting-Union
9	134-0916	1	Support-Sensor, Catcher	32	134-1288	1	Connector-Electric
10	134-0926	1	Spring	33	134-1292	1	Nut-Plastic
11	134-0998	1	Spacer	34	134-1303	2	Screw
12	134-1002	1	Body	35	134-1304	2	Screw
13	134-1003	1	Plate, Hopper-Spreader	36	134-0562	1	Circlip
14	134-1009	1	Screw	37	134-0592	1	Head-Joint
15	134-1028	2	Screw	38	134-0595	1	Baffle-Motor
16	134-1039	1	Nut	39	134-0607	1	Microswitch-Full, Grass Catcher
17	134-1040	1	Nut	40	134-0601	1	Wiring-Catcher, Grass
18	134-1042	4	Nut	41	134-3101	1	Nut
19	134-1044	1	Washer	42	134-3102	1	Circlip
20	134-1054	1	Washer	43	134-3103	1	Manifold
21	134-1078	1	Nut	44	134-1237	1	Washer-Belleville
22	134-1080	2	Nut				
23	134-1081	1	Nut				

# Rear Axle Assembly

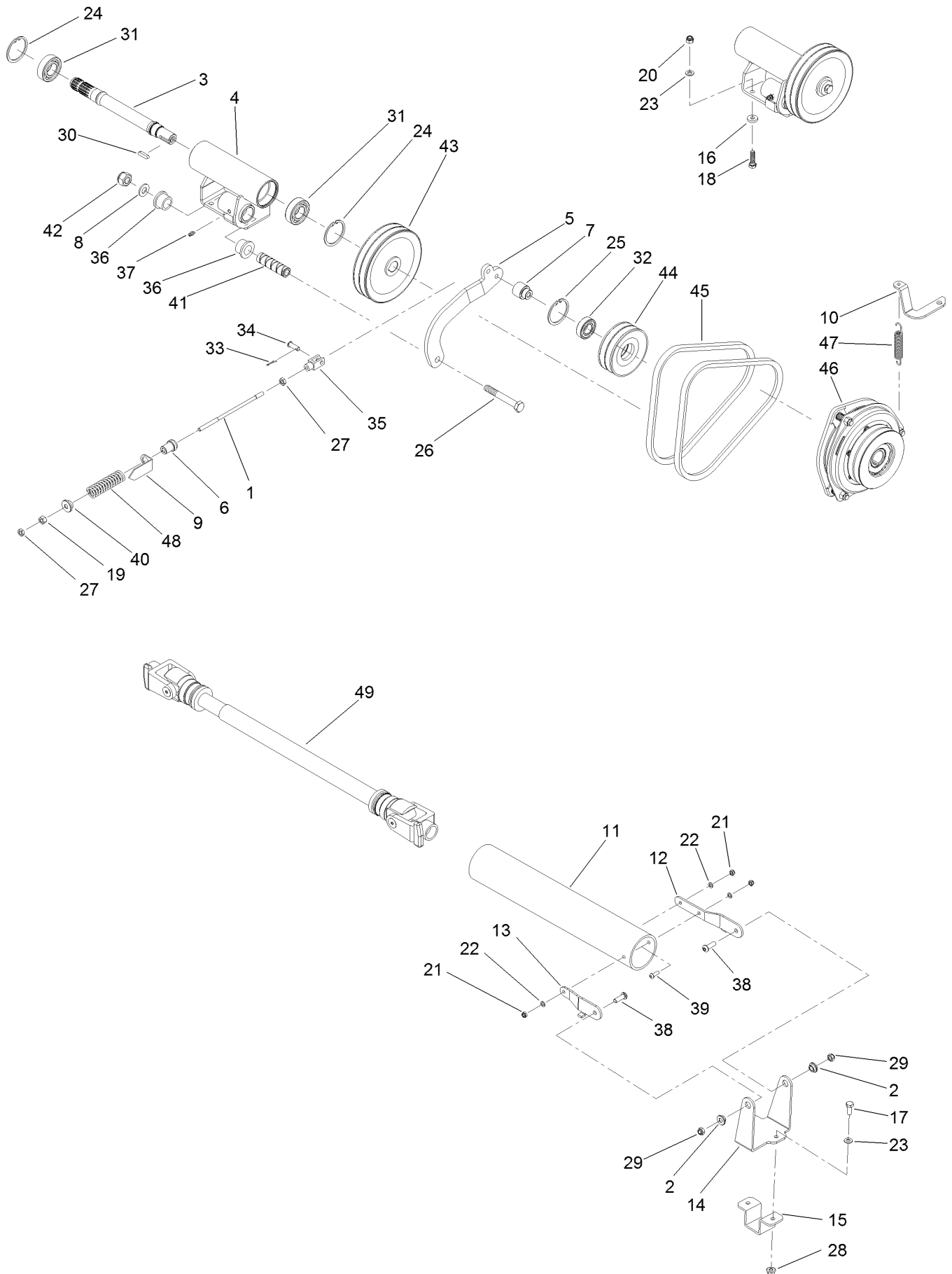




## Rear Axle Assembly (continued)

<i>Ref.</i>	<i>Part Number</i>	<i>Qty.</i>	<i>Description</i>	<i>Ref.</i>	<i>Part Number</i>	<i>Qty.</i>	<i>Description</i>
1	134-0713	2	Spacer	21	134-1082	1	Nut
2	134-0721	2	Flange	22	134-1188	4	Bushing
3	134-0723	2	Cap	23	134-1189	2	Bushing
4	134-0769	1	Axle-Rear	24	134-1230	1	Tire-Rear
5	134-0770	2	Washer	25	134-1261	1	Valve-Tire
6	134-0774	1	Fork - RH	26	134-1298	8	Screw
7	134-0775	1	Fork - LH	27	134-1305	1	Screw
8	134-0818	1	Rim-Wheel, Rear	28	134-0657	1	Piston-Steering
9	134-0860	1	Articulation	29	134-3104	1	Rear Axle
10	134-1010	2	Screw	30	134-3105	1	Nut
11	134-1015	1	Screw	31	134-2962	1	Washer
12	134-1018	1	Screw	32	134-3106	1	Pin
13	134-1030	1	Screw	33	134-3107	2	Nut
14	134-1043	2	Nut	34	134-3108	2	Key-Feather
15	134-1046	3	Washer	35	134-1045	1	Washer
16	134-1047	1	Washer	36	134-3110	2	Nut
17	134-1054	2	Washer	37	134-0591	8	Washer
18	134-1061	2	Ring-Retaining, Int	38	134-0561	8	Nut
19	134-1065	3	Fitting-Grease	39	134-0667	2	Motor-Hydraulic, Rear
20	134-1079	1	Nut				

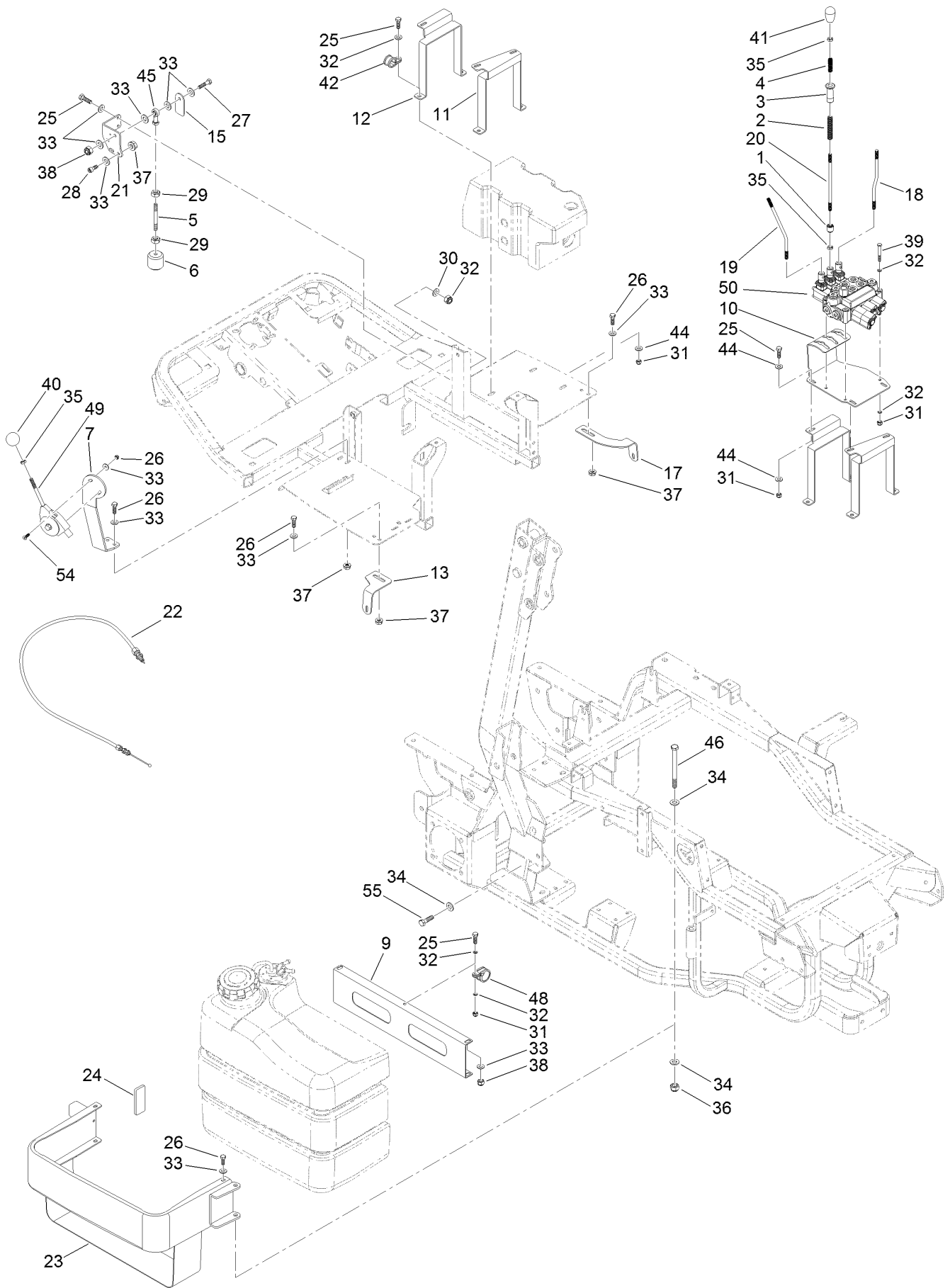
# Transmission, PTO and Drive Shaft Assembly



## Transmission, PTO and Drive Shaft Assembly (continued)

<i>Ref.</i>	<i>Part Number</i>	<i>Qty.</i>	<i>Description</i>	<i>Ref.</i>	<i>Part Number</i>	<i>Qty.</i>	<i>Description</i>
1	134-0701	1	Rod	26	134-1075	1	Screw
2	134-0729	2	Bushing	27	134-1078	2	Nut
3	134-0779	1	Shaft	28	134-1082	1	Nut
4	134-0780	1	Flange-Dust	29	134-1092	2	Nut
5	134-0782	1	Lever-Belt Tensioner	30	134-1100	1	Key-Shaft
6	134-0783	1	Pin-Guide, Nylon	31	134-1105	2	Bearing
7	134-0784	1	Bushing	32	134-1108	1	Bearing
8	134-0866	1	Washer	33	134-1132	1	Pin-Spring
9	134-0893	1	Spring-Belt Tension Indicator	34	134-1236	1	Pin
10	134-0919	1	Bracket	35	134-1239	1	Fork
11	134-0967	1	Tube-Protector, Polyethylene	36	134-1249	2	Bushing
12	134-0968	1	Bracket	37	134-1258	1	Fitting-Grease
13	134-0969	1	Bracket	38	134-1302	2	Screw
14	134-0970	1	Fork	39	134-1311	1	Screw
15	134-0971	1	Bracket	40	134-1349	1	Guide-Spring
16	134-0997	1	Washer	41	134-1351	1	Spacer
17	134-1011	1	Screw	42	134-0561	1	Nut
18	134-1012	1	Screw	43	134-0622	1	Pulley
19	134-1034	1	Nut	44	134-1365	1	Pulley
20	134-1038	1	Nut	45	134-0577	1	Belt-PTO
21	134-1042	2	Nut	46	134-0578	1	Clutch
22	134-1044	2	Washer	47	134-1359	1	Decal-Attention, Deck Service
23	134-1045	2	Washer	48	134-0618	1	Spring
24	134-1057	2	Ring-Retaining, Int	49	134-0619	1	Joint-Universal
25	134-1058	1	Ring-Retaining, Int				

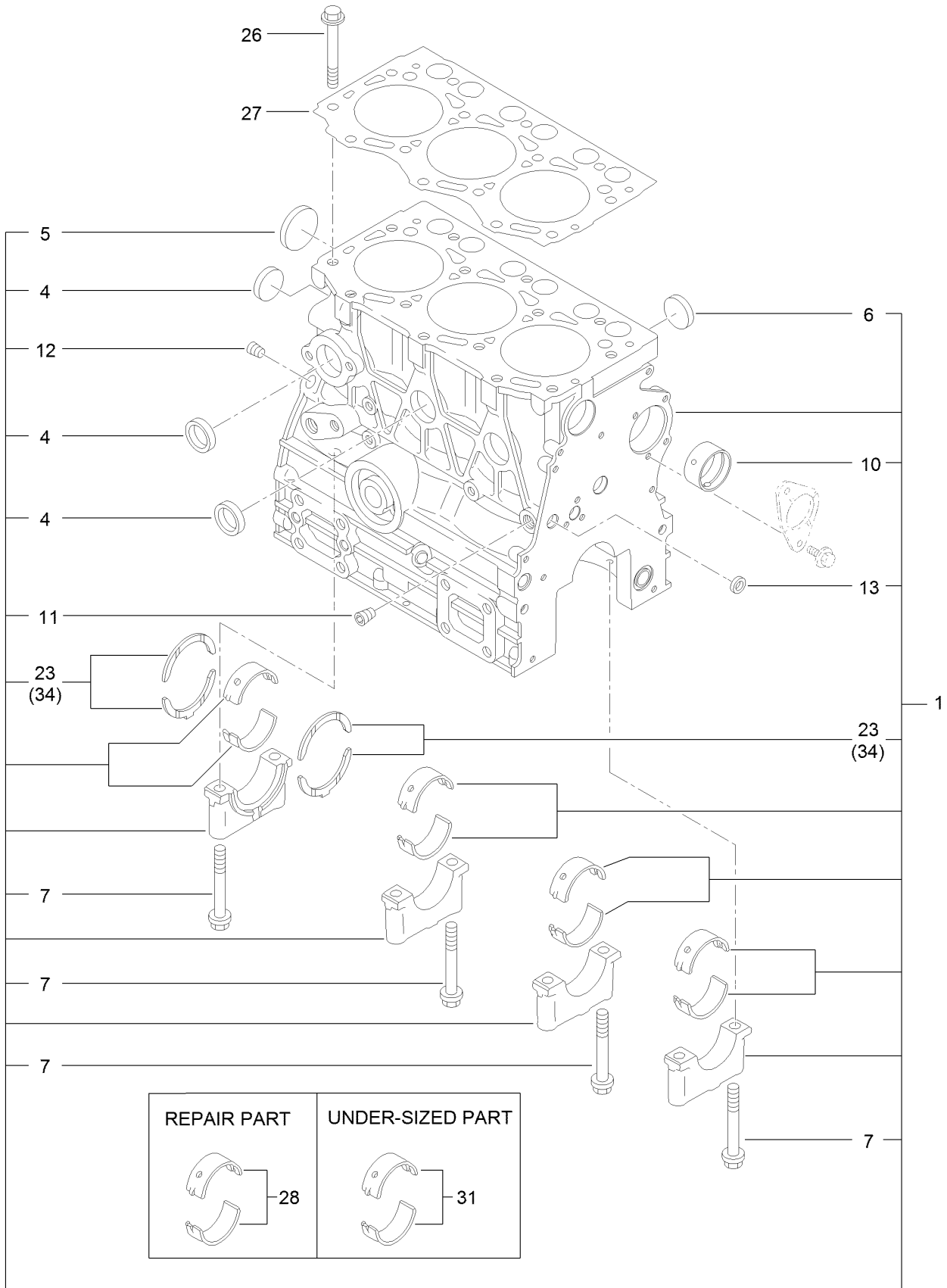
# Fuel and Oil Tank Assembly



## Fuel and Oil Tank Assembly (continued)

<i>Ref.</i>	<i>Part Number</i>	<i>Qty.</i>	<i>Description</i>	<i>Ref.</i>	<i>Part Number</i>	<i>Qty.</i>	<i>Description</i>
1	134-0696	1	Connector	28	134-1026	1	Screw
2	134-0697	1	Spring	29	134-1034	2	Nut
3	134-0698	1	Knob	30	134-1041	1	Nut
4	134-0699	1	Spring	31	134-1042	4	Nut
5	134-0735	1	Rod	32	134-1044	6	Washer
6	134-0736	1	Rocker	33	134-1045	11	Washer
7	134-0772	1	Support-Throttle	34	134-1046	3	Washer
9	134-0787	1	Rail-Cross	35	134-1078	3	Nut
10	134-0792	1	Support-Valve, Aux	36	134-1079	1	Nut
11	134-0794	1	Clamp-Band	37	134-1082	4	Nut
12	134-0795	1	Clamp-Band	38	134-1092	2	Nut
13	134-0828	1	Bracket	39	134-1118	1	Screw
15	134-0845	1	Support-Lock, Diff	40	134-1146	1	Ball
17	134-0895	1	Bracket	41	134-1179	1	Knob
18	134-0905	1	Lever-Valve, Aux	42	134-1197	1	Clamp
19	134-0906	1	Lever-Valve, Aux	44	134-1234	3	Washer
20	134-0907	1	Lever-Valve, Aux	45	134-1259	1	Head-Cylinder
21	134-0952	1	Bracket	46	134-1295	1	Screw
22	134-0953	1	Cable	48	134-1318	1	Clamp
23	134-0959	1	Support-Tank, Fuel	49	134-0568	1	Lever-Throttle
24	134-0982	1	Grommet-Rubber, Tank	50	134-0582	1	Distributor
25	134-1009	4	Screw	54	134-3111	1	Screw
26	134-1011	5	Screw	55	134-3112	1	Screw
27	134-1014	1	Screw				

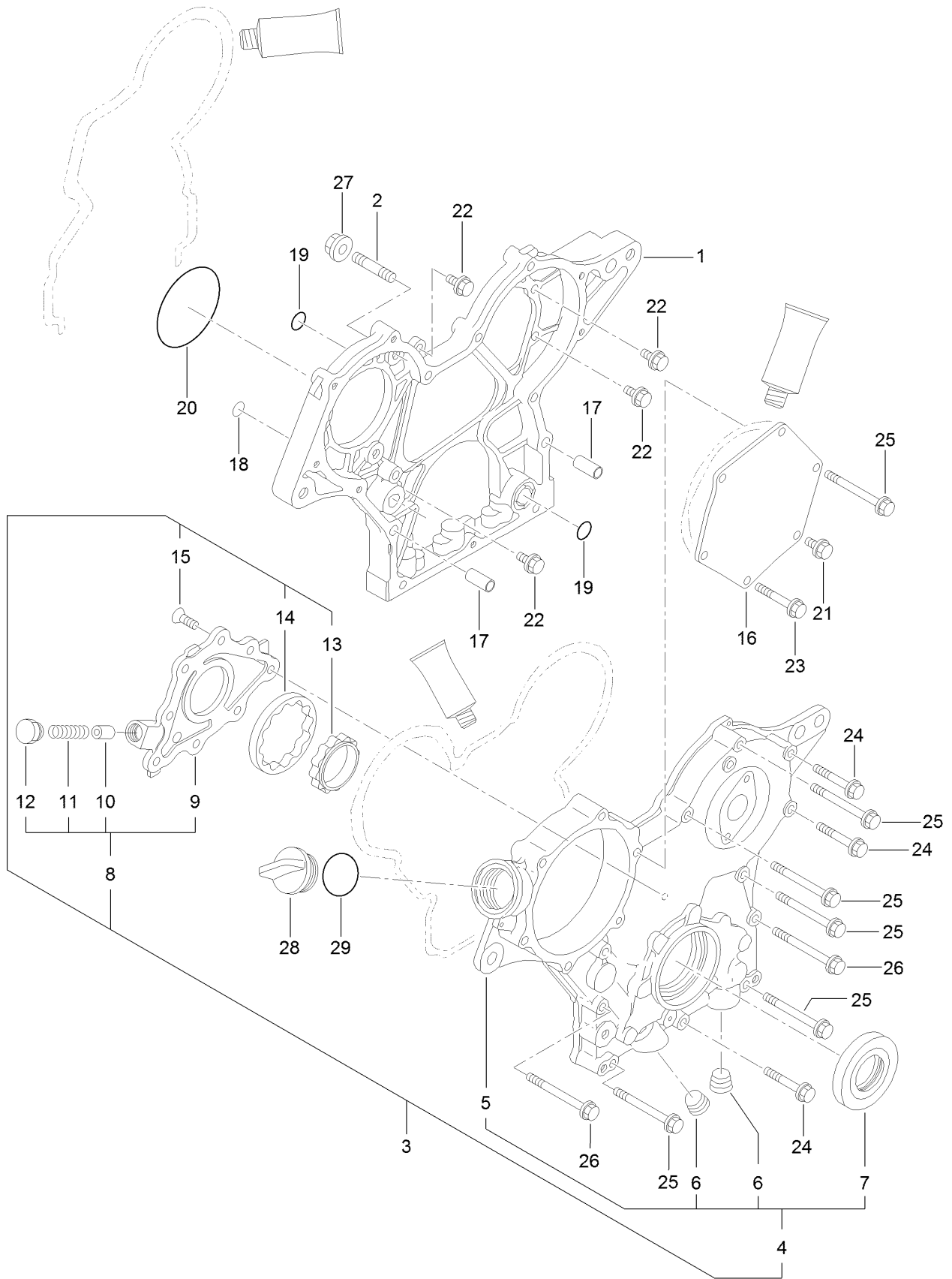
# Cylinder Block Assembly



## Cylinder Block Assembly (continued)

<i>Ref.</i>	<i>Part Number</i>	<i>Qty.</i>	<i>Description</i>	<i>Ref.</i>	<i>Part Number</i>	<i>Qty.</i>	<i>Description</i>
1	134-1542	1	Cylinder Block ASM	13	125-7237	1	Plug
4	135-4031	4	Plug-Cup	23	135-4036	2	Thrust Bearing ASM
5	135-4032	1	Plug-Dish	26	135-4037	14	Bolt-Head, Cylinder
6	135-4033	3	Plug-Cup	27	134-1396	1	Gasket-Head
7	135-4034	8	Bolt-Cap	28	135-4039	4	Main Bearing ASM
10	135-4035	1	Bushing-Camshaft	31	135-4040	4	Main Bearing ASM
11	125-6969	1	Plug	34	135-4041	2	Bearing-Thrust
12	125-6973	1	Plug				

# Gear Housing Assembly

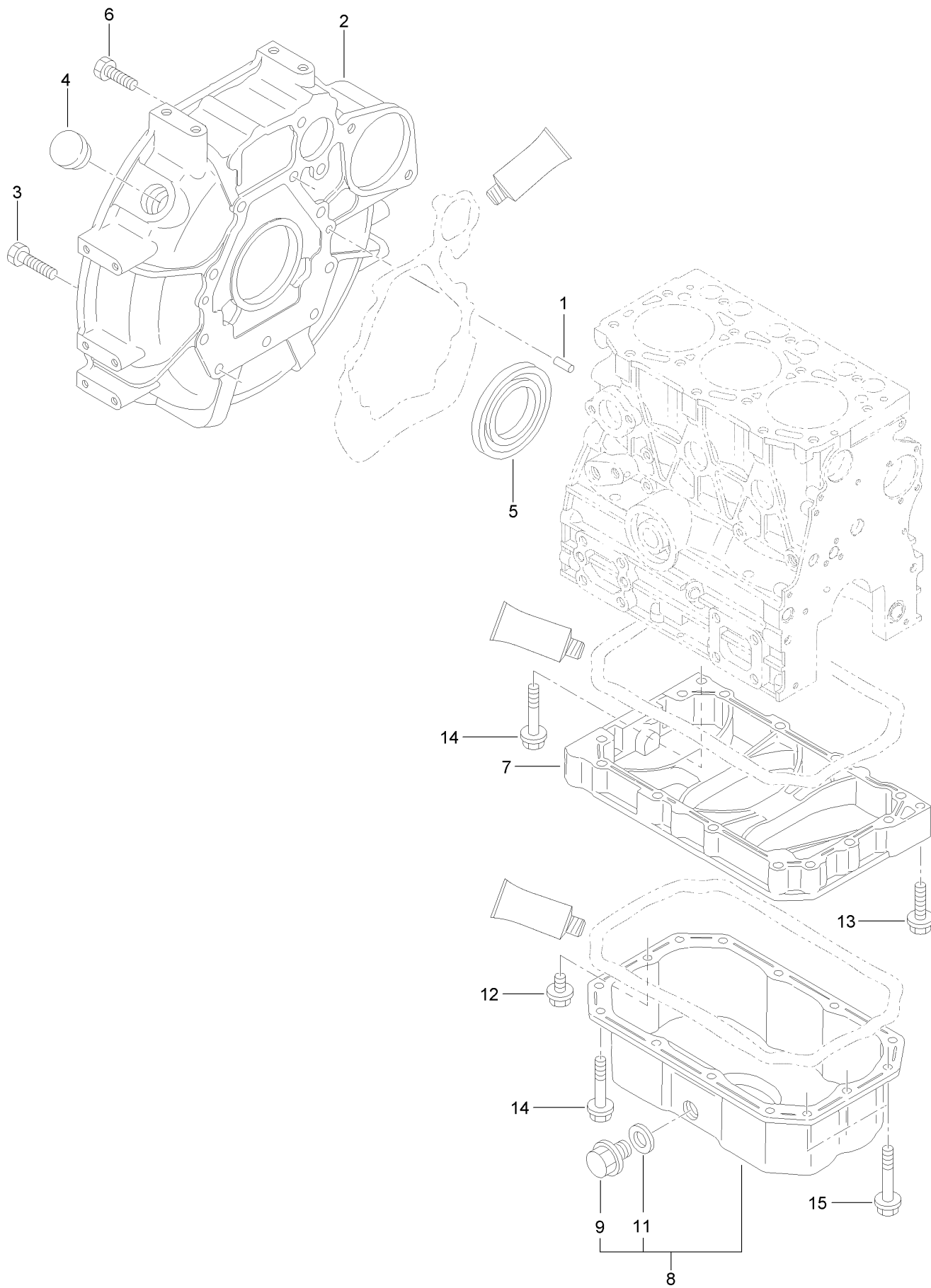




## Gear Housing Assembly (continued)

<i>Ref.</i>	<i>Part Number</i>	<i>Qty.</i>	<i>Description</i>	<i>Ref.</i>	<i>Part Number</i>	<i>Qty.</i>	<i>Description</i>
1	135-4042	1	Case-Gear	16	135-4056	1	Cover-Pump
2	135-4043	3	Bolt-Stud	17	135-4057	4	Dowel-Pipe
3	135-4044	1	Gear Case Cover ASM	18	127-2973	1	O-Ring
4	135-4045	1	Gear Case Cover ASM	19	135-4058	3	O-Ring
5	135-4046	1	Cover-Case, Gear	20	125-6957	1	O-Ring
6	133-6798	2	Plug	21	125-7206	1	Bolt
7	135-4047	1	Seal-Oil	22	125-7208	4	Bolt
8	135-4048	1	Cover ASM	23	125-7211	4	Bolt
9	135-4049	1	Cover-Pump	24	125-7211	3	Bolt
10	135-4050	1	Valve-Relief	25	135-4059	7	Bolt
11	135-4051	1	Spring	26	136-8257	2	Bolt
12	135-4052	1	Plug	27	125-7229	3	Nut
13	135-4053	1	Rotor-Inner	28	125-6972	1	Cover-Filler
14	135-4054	1	Rotor-Outer	29	125-7197	1	O-Ring
15	135-4055	8	Screw				

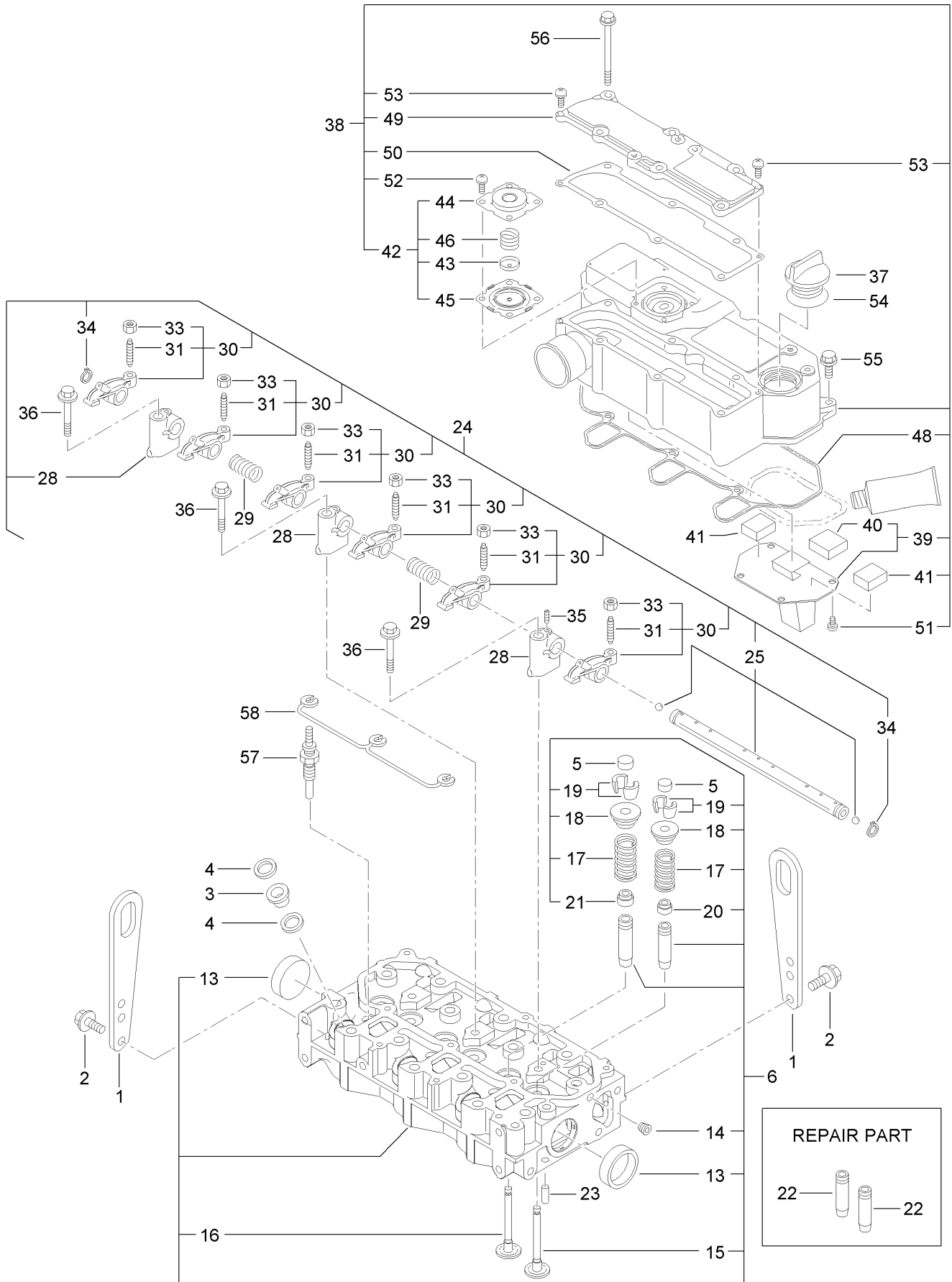
# Flywheel Housing and Oil Sump Assembly



## Flywheel Housing and Oil Sump Assembly (continued)

<i>Ref.</i>	<i>Part Number</i>	<i>Qty.</i>	<i>Description</i>	<i>Ref.</i>	<i>Part Number</i>	<i>Qty.</i>	<i>Description</i>
1	125-6995	2	Pin	8	134-1398	1	Oil Pan ASM
2	134-1397	1	Housing-Flywheel	9	135-4068	1	Plug
3	134-1457	3	Bolt	11	136-8236	1	Washer-Seal
4	125-6910	1	Cap	12	125-7212	1	Bolt
5	134-1463	1	Seal-Oil	13	125-7216	1	Bolt
6	125-7226	8	Bolt	14	125-7219	33	Bolt
7	135-4066	1	Spacer-Pan, Oil	15	125-7220	1	Bolt

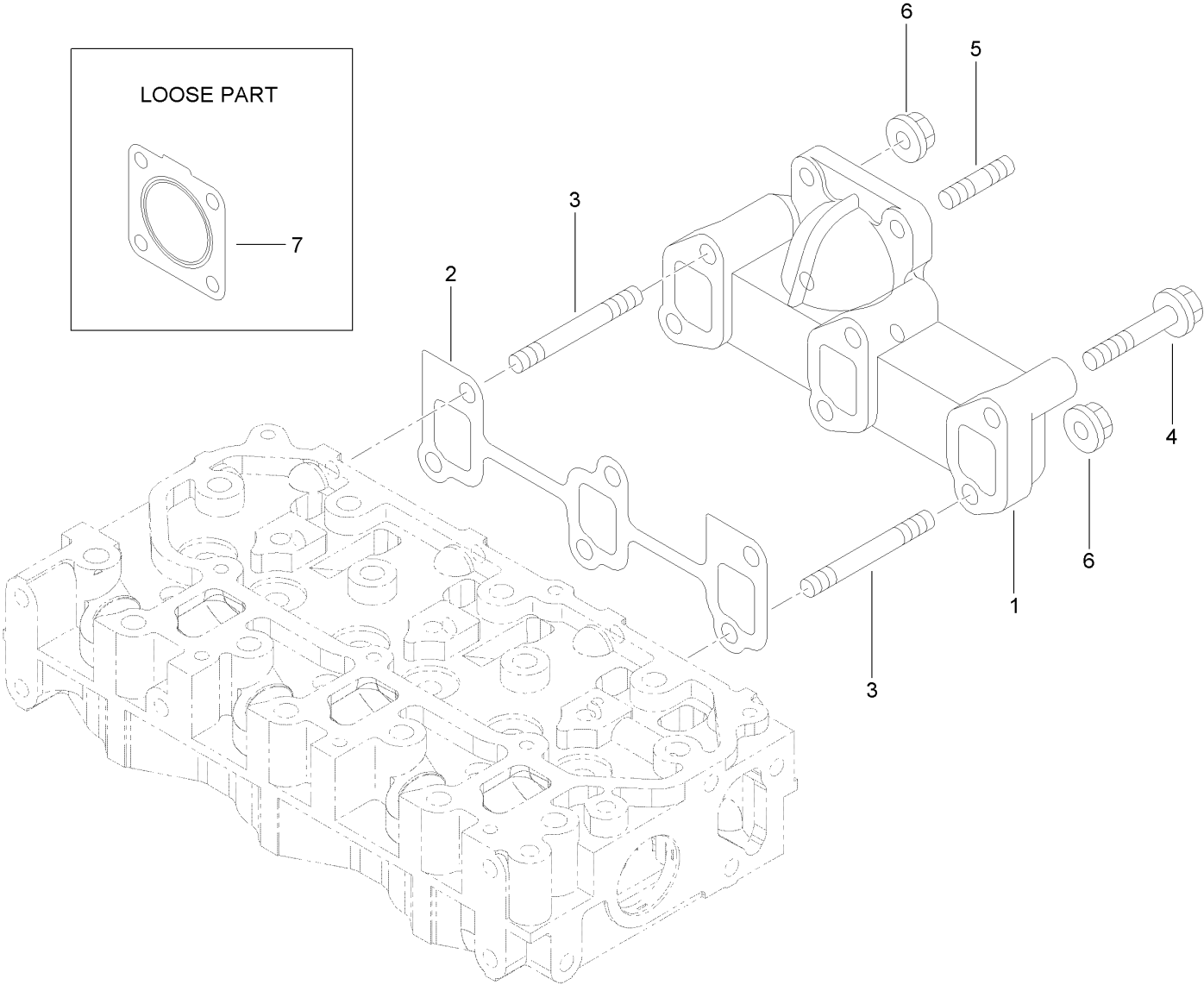
# Cylinder Head and Cover Assembly



## Cylinder Head and Cover Assembly (continued)

<i>Ref.</i>	<i>Part Number</i>	<i>Qty.</i>	<i>Description</i>	<i>Ref.</i>	<i>Part Number</i>	<i>Qty.</i>	<i>Description</i>
1	125-7111	2	Lifter	35	135-4083	1	Screw
2	125-7214	4	Bolt	36	125-7218	3	Bolt
3	135-4069	3	Protector-Nozzle	37	125-6972	1	Cover-Filler
4	135-4070	6	Gasket-Nozzle	38	134-1402	1	Cylinder Head Cover ASM
5	135-4071	6	Cap-Valve	39	135-4085	1	Plate-Baffle
6	134-1403	1	Cylinder Head ASM	40	135-4086	1	Baffle-Breather
13	135-4073	2	Plug-Cup	41	135-4086	2	Baffle-Breather
14	133-6797	1	Plug	42	135-4088	1	Diaphragm ASM
15	134-1399	3	Valve-Suction	43	135-4089	1	Plate-Diaphragm
16	134-1400	3	Valve-Exhaust	44	135-4090	1	Cover-Diaphragm
17	135-4076	6	Spring-Valve	45	135-4091	1	Diaphragm
18	125-7054	6	Retainer	46	135-4092	1	Spring-Diaphragm
19	125-6914	12	Cotter	48	135-4093	1	Gasket-Cover, Cylinder Head
20	125-6915	3	Seal-Stem, Valve	49	134-1401	1	Cover-Head, Cylinder
21	125-6916	3	Seal-Stem, Valve	50	135-4095	1	Gasket
22	125-6917	6	Guide	51	125-7186	4	Screw
23	125-7184	2	Pin-Spring	52	125-7186	4	Screw
24	135-4077	1	Rocker Support ASM	53	127-3168	2	Screw
25	135-4078	1	Rocker Shaft ASM	54	125-7197	1	O-Ring
28	135-4079	3	Support-Arm, Rocker	55	125-7209	3	Bolt
29	135-4080	2	Spring-Rocker	56	135-4096	6	Bolt
30	135-4081	6	Rocker Arm ASM	57	134-1442	3	Plug-Glow
31	125-7013	6	Screw-Adjust, Valve	58	134-1443	1	Connector-Plug, Glow
33	125-7014	6	Nut				
34	135-7082	2	Ring				

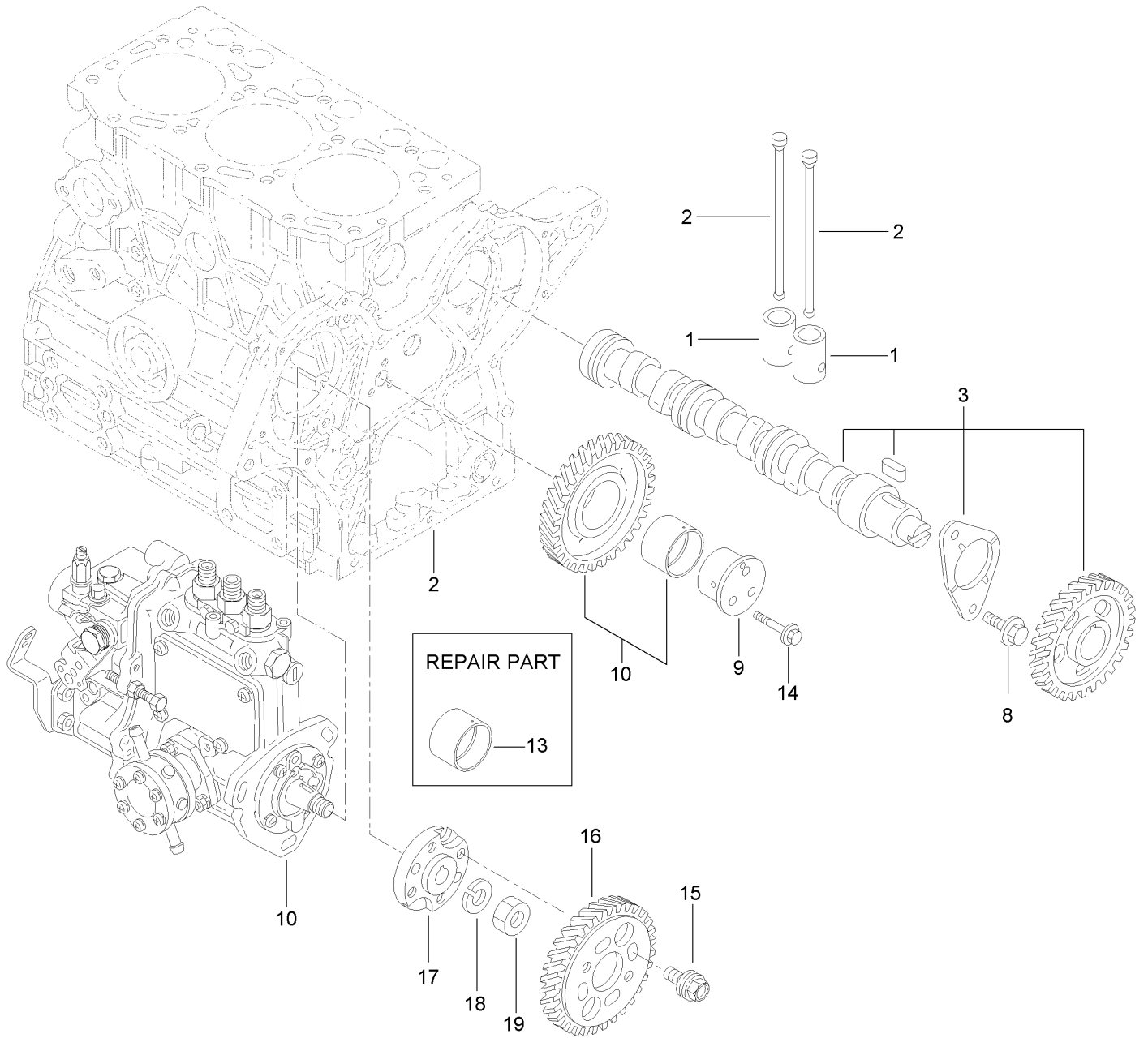
# Exhaust Manifold Assembly



## Exhaust Manifold Assembly (continued)

<i>Ref.</i>	<i>Part Number</i>	<i>Qty.</i>	<i>Description</i>	<i>Ref.</i>	<i>Part Number</i>	<i>Qty.</i>	<i>Description</i>
1	134-1444	1	Manifold-Exhaust	5	125-6906	4	Stud
2	135-4107	1	Gasket-Manifold, Exhaust	6	125-7229	2	Nut
3	134-1404	2	Bolt-Stud	7	134-1383	1	Gasket-Silencer
4	134-1452	4	Bolt				

# Camshaft and Driving Gear Assembly

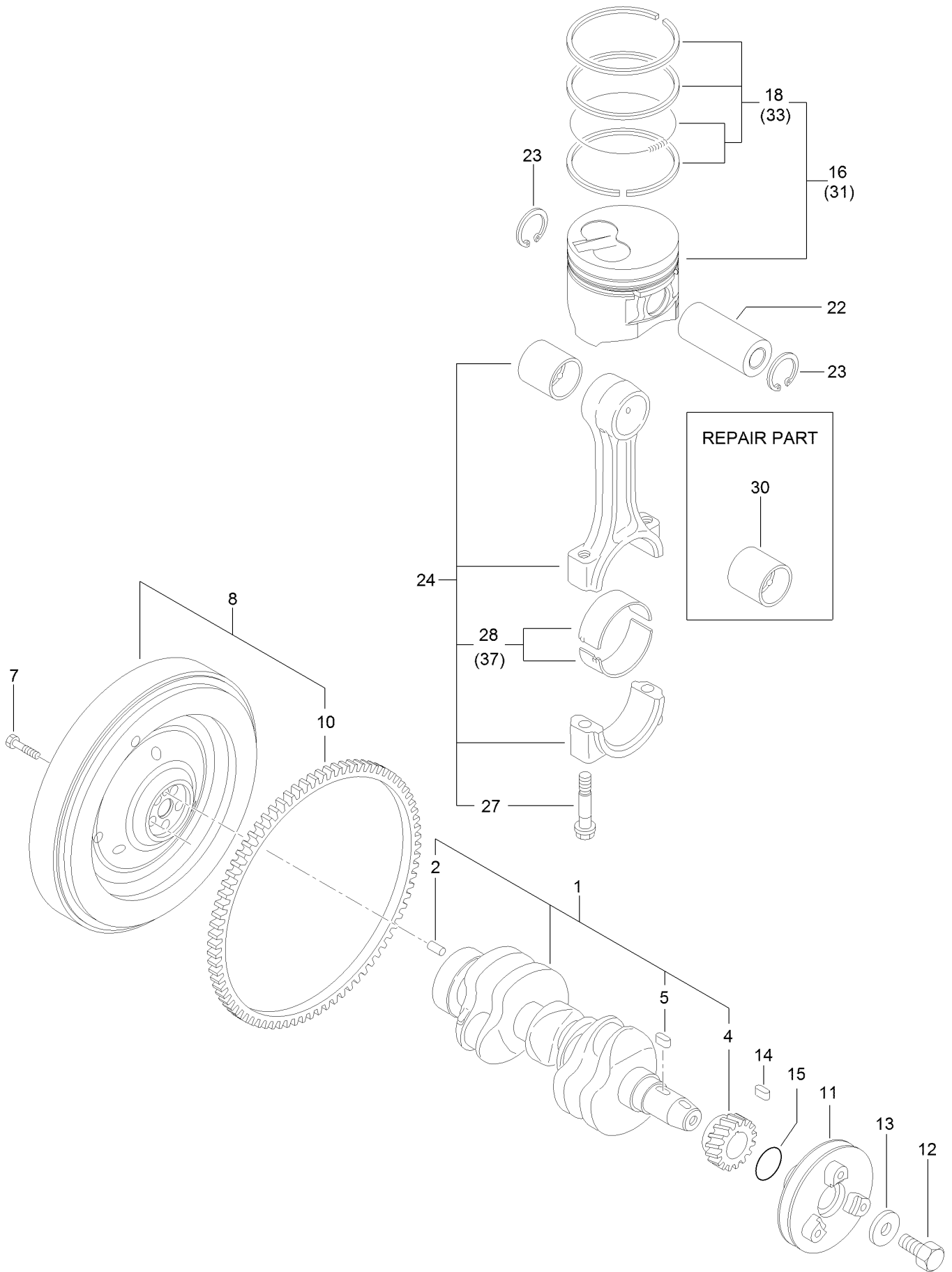




## Camshaft and Driving Gear Assembly (continued)

<i>Ref.</i>	<i>Part Number</i>	<i>Qty.</i>	<i>Description</i>	<i>Ref.</i>	<i>Part Number</i>	<i>Qty.</i>	<i>Description</i>
1	135-4108	6	Tappet	14	135-4147	3	Bolt
2	135-4109	6	Push-Rod	15	125-7020	4	Bolt
3	135-4110	1	Camshaft ASM	16	135-4148	1	Gear-Pump
8	125-7206	2	Bolt	17	135-4150	1	Flange
9	135-4145	1	Shaft-Idle	18	135-4220	1	Washer-Spring
10	135-4146	1	Idle Gear ASM	19	133-2506	1	Nut
13	135-4149	1	Bushing-Gear, Idle				

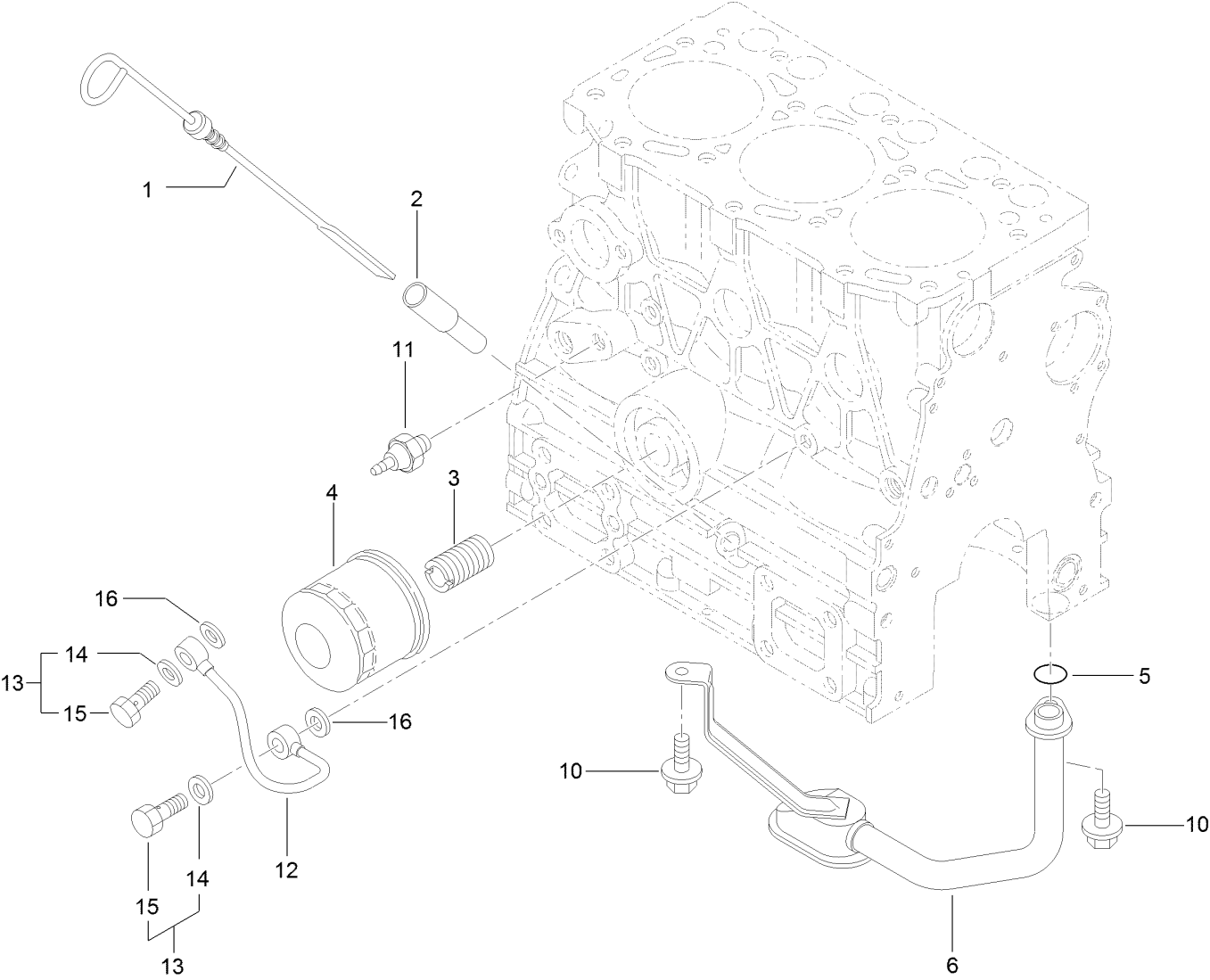
# Crankshaft and Piston Assembly



## Crankshaft and Piston Assembly (continued)

<i>Ref.</i>	<i>Part Number</i>	<i>Qty.</i>	<i>Description</i>	<i>Ref.</i>	<i>Part Number</i>	<i>Qty.</i>	<i>Description</i>
1	134-1405	1	Crankshaft ASM	16	134-1407	3	Piston ASM
2	125-6995	1	Pin	18	134-1409	3	Piston Ring Set
4	135-4153	1	Gear-Crankshaft	22	134-1408	3	Pin-Piston
5	135-4154	1	Key	23	135-4166	6	Ring
7	125-6951	5	Bolt	24	134-1412	3	Connecting Rod ASM
8	134-1392	1	Flywheel ASM	27	135-4168	6	Bolt-Rod, Connecting
10	125-6943	1	Gear	28	135-4169	3	Bearing-Pin, Crank
11	134-1445	1	V-Pulley	30	135-4170	3	Bearing-Pin, Piston
12	134-1391	1	Bolt-Flange	31	134-1411	3	Piston ASM (0.25 Os)
13	134-1406	1	Washer	33	134-1410	3	Ring Set (0.25 Os)
14	135-4154	1	Key	37	135-4171	3	Bearing-Pin (0.25)
15	134-1538	1	O-Ring				

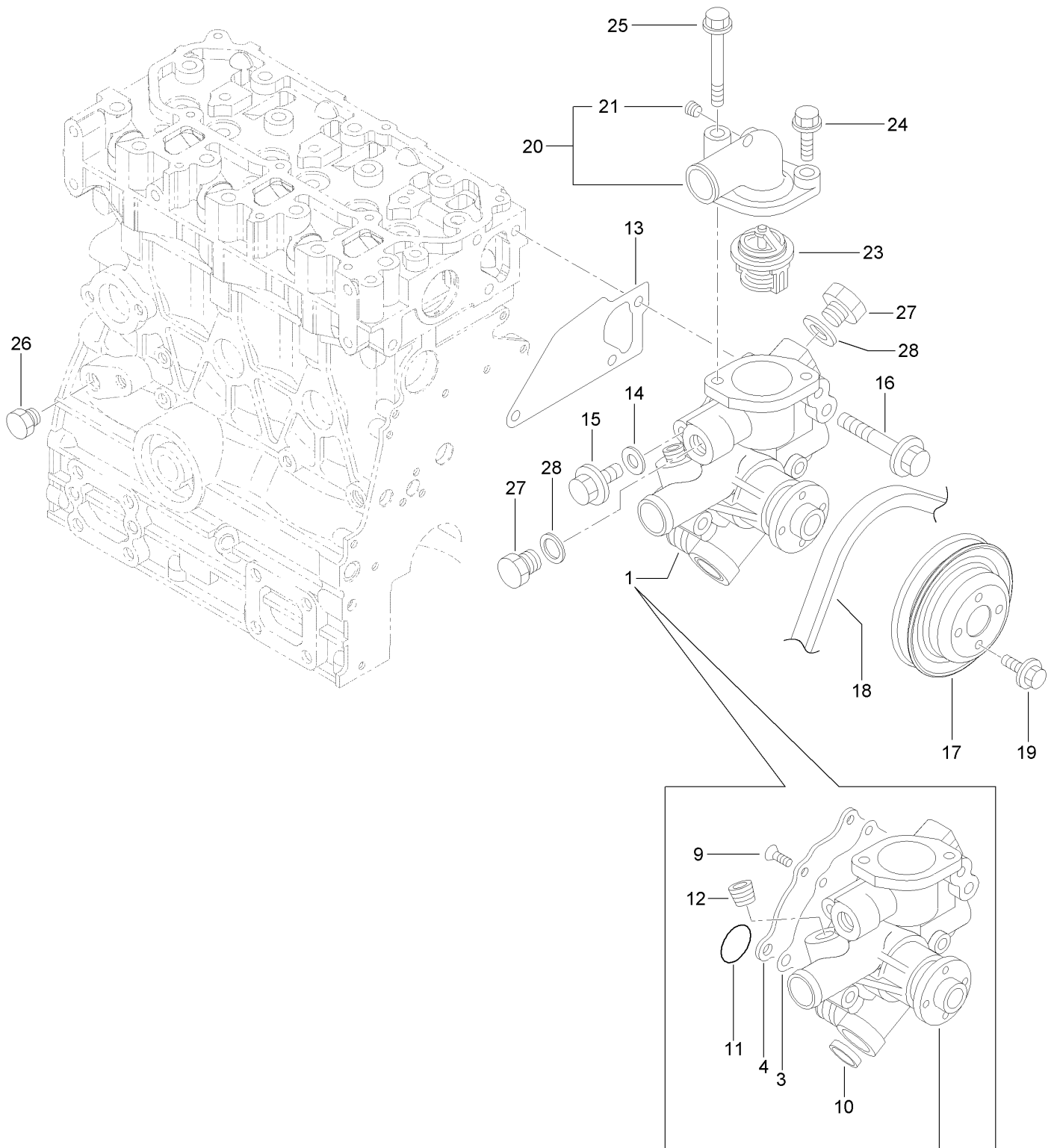
# Lubrication and Oil System Assembly



## Lubrication and Oil System Assembly (continued)

<i>Ref.</i>	<i>Part Number</i>	<i>Qty.</i>	<i>Description</i>	<i>Ref.</i>	<i>Part Number</i>	<i>Qty.</i>	<i>Description</i>
1	134-1413	1	Dipstick	11	134-1377	1	Switch-Hydraulic
2	125-6954	1	Guide-Dipstick	12	135-4182	1	Pipe-Oil
3	134-1467	1	Bolt-Stud	13	125-6988	2	Joint Bolt ASM
4	135-4181	1	Filter-Oil, Engine	14	125-7174	2	Washer-Seal
5	135-4178	1	O-Ring	15	125-7194	2	Bolt-Joint
6	134-1414	1	Oil Inlet Pipe ASM	16	125-7174	2	Washer-Seal
10	125-7205	2	Bolt				

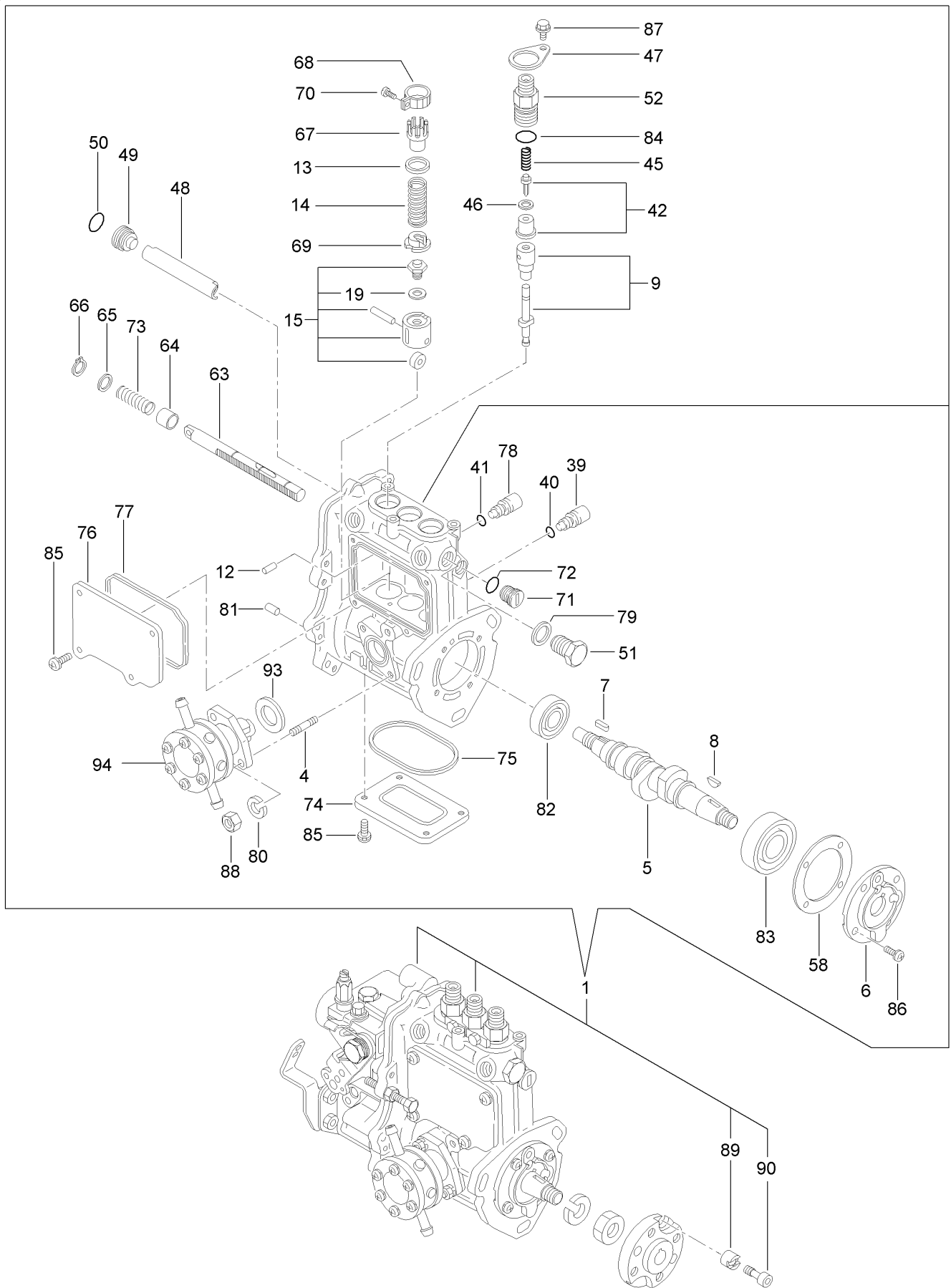
# Cooling Water System Assembly



## Cooling Water System Assembly (continued)

<i>Ref.</i>	<i>Part Number</i>	<i>Qty.</i>	<i>Description</i>	<i>Ref.</i>	<i>Part Number</i>	<i>Qty.</i>	<i>Description</i>
1	134-1415	1	Water Pump ASM	17	134-1417	1	V-Pulley
3	135-4188	1	Gasket	18	134-1455	1	V-Belt
4	135-4189	1	Cover	19	125-7206	4	Bolt
9	133-2504	4	Screw	20	134-1390	1	Cover ASM
10	135-4192	1	Plug	21	134-1381	1	Plug
11	134-1416	1	O-Ring	23	135-4200	1	Thermostat
12	125-7123	1	Plug	24	125-7215	1	Bolt
13	135-4193	1	Gasket-Pump, Water	25	135-4202	1	Bolt
14	125-7192	1	Gasket	26	125-7171	1	Plug-Drain
15	125-7212	1	Bolt	27	125-6953	2	Plug
16	125-7220	3	Bolt	28	125-6979	2	Gasket

# Fuel Injection Pump Assembly

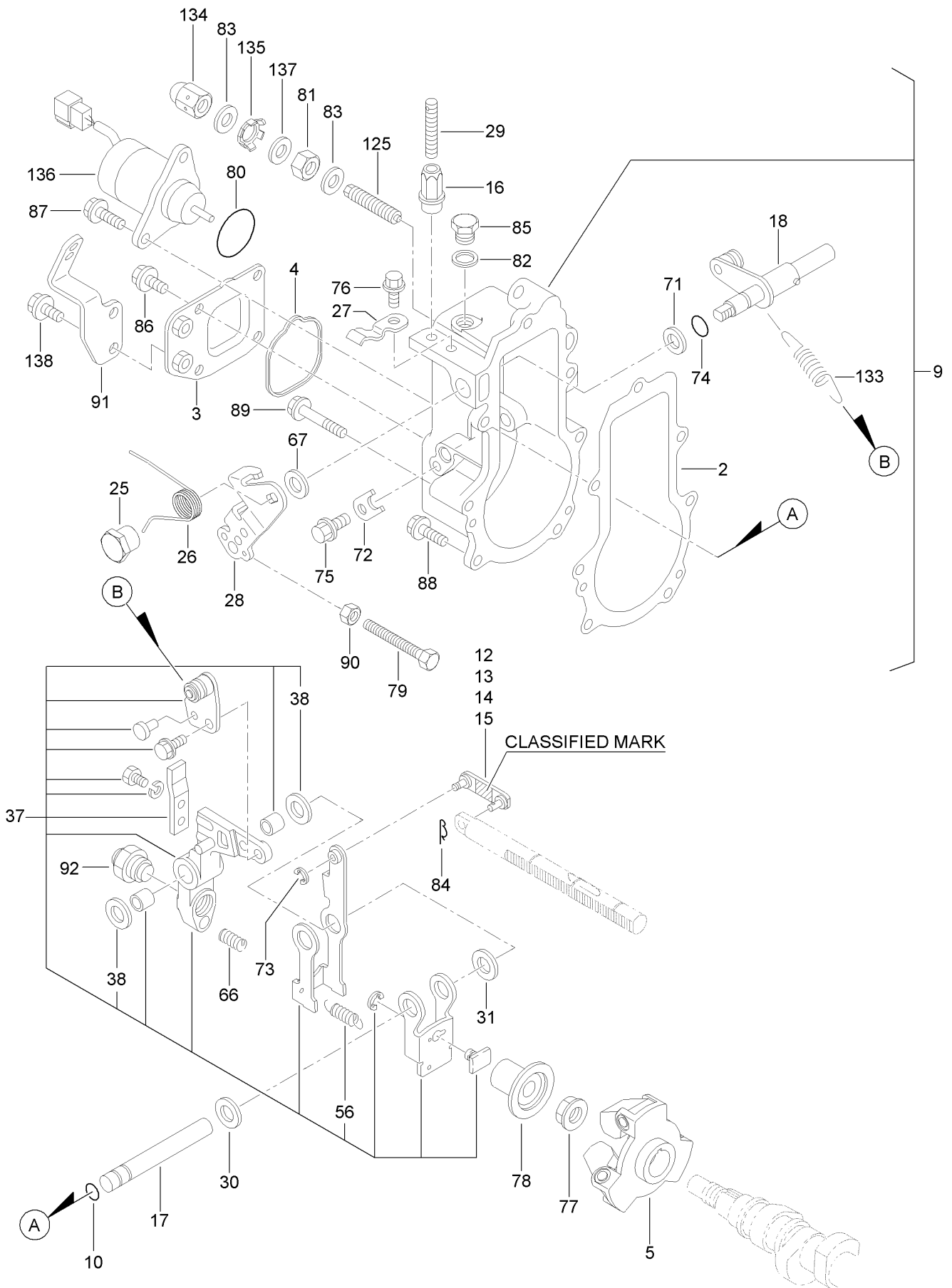




## Fuel Injection Pump Assembly (continued)

<i>Ref.</i>	<i>Part Number</i>	<i>Qty.</i>	<i>Description</i>	<i>Ref.</i>	<i>Part Number</i>	<i>Qty.</i>	<i>Description</i>
1	134-1544	1	Injection Pump ASM	66	134-1493	1	Circlip
4	135-4205	2	Bolt-Stud	67	134-1494	3	Pinion-Control
5	134-1418	1	Camshaft	68	134-1468	3	Pinion
6	134-1419	1	Support-Camshaft	69	134-1428	3	Retainer-Spring
7	134-1420	1	Key-Feather, Parallel	70	134-1469	3	Screw-Pinion
8	135-4206	1	Key-Feather, Woodruff	71	135-4213	1	Plug-Rack
9	134-1446	3	Fuel Plunger ASM	72	135-4214	1	O-Ring
12	134-1489	3	Pin	73	134-1495	1	Spring-Rack
13	134-1521	3	Retainer-Spring	74	135-4215	1	Cover
14	134-1421	3	Spring-Plunger	75	135-4216	1	Gasket
15	134-1422	3	Tappet ASM	76	135-4217	1	Cover
19	134-1496	1	Adjusting Shim Set	77	135-4218	1	Gasket
39	125-7156	3	Stopper	78	135-4219	1	Stopper-Rack
40	135-4207	3	O-Ring	79	136-8236	1	Washer-Seal
41	135-4207	1	O-Ring	80	134-1526	2	Washer-Spring
42	134-1423	3	Delivery Valve ASM	81	125-7183	2	Pin-Spring
45	134-1424	3	Spring-Delivery	82	134-1533	1	Bearing-Ball
46	134-1464	3	Gasket-Delivery	83	134-1534	1	Bearing-Ball
47	134-1379	3	Plate-Locking	84	134-1536	3	O-Ring
48	135-4209	1	Deflector	85	135-4221	8	Screw
49	135-4210	1	Plug-Deflector	86	134-1539	4	Screw
50	135-4211	1	O-Ring	87	134-1540	3	Bolt
51	135-4212	1	Plug-Deflector	88	127-4775	2	Nut
52	134-1522	3	Delivery Valve ASM	89	134-1425	1	Collar
58	134-1490	1	Adjusting Shim Set	90	134-1426	1	Bolt
63	134-1427	1	Rack-Control	93	135-4223	1	Gasket
64	134-1491	1	Bushing-Rack	94	134-1470	1	Fuel Feed Pump ASM
65	134-1492	1	Spacer				

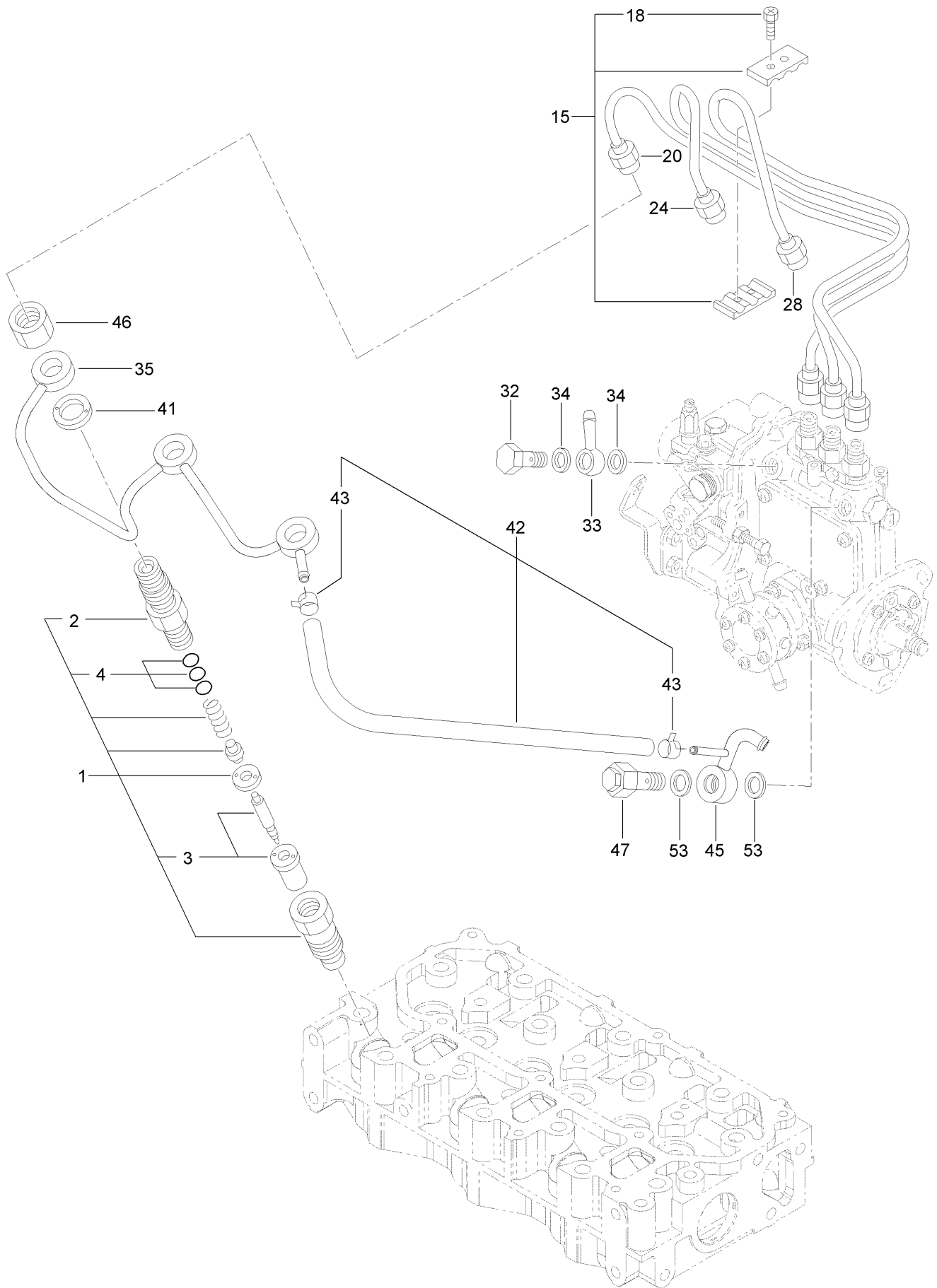
# Governor Assembly



## Governor Assembly (continued)

<i>Ref.</i>	<i>Part Number</i>	<i>Qty.</i>	<i>Description</i>	<i>Ref.</i>	<i>Part Number</i>	<i>Qty.</i>	<i>Description</i>
2	135-4227	1	Gasket	73	134-1527	1	Ring
3	134-1449	1	Cover-Case, Governor	74	134-1537	1	O-Ring
4	134-1435	1	Gasket	75	125-7205	1	Bolt
5	134-1440	1	Governor Weight ASM	76	125-7205	1	Bolt
9	134-1389	1	Governor Case ASM	77	125-6993	1	Nut
10	135-4207	1	O-Ring	78	134-1497	1	Sleeve
12	134-1436	1	Link (Mark :3)	79	134-1499	1	Bolt-Limiting
13	134-1437	1	Link (Mark 98)	80	134-1520	1	O-Ring
14	134-1438	1	Link (Mark 88)	81	134-1504	1	Nut
15	134-1439	1	Link (Mark 03)	82	125-7175	1	Washer-Seal
16	134-1503	1	Nut	83	125-7176	2	Washer-Seal
17	134-1466	1	Shaft-Lever, Governor	84	134-1529	1	Pin
18	134-1441	1	Shaft ASM	85	134-1532	1	Plug
25	134-1508	1	Nut	86	125-7205	4	Bolt
26	134-1386	1	Spring-Lever	87	125-7207	2	Bolt
27	134-1387	1	Retainer	88	125-7209	4	Bolt
28	134-1385	1	Lever-Control	89	136-8256	3	Bolt
29	134-1498	1	Bolt-Limiting	90	134-1541	1	Nut-Lock
30	134-1502	1	Shim (T=0.6)	91	134-1450	1	Support-Wire
31	134-1500	1	Shim ASM	92	134-1382	1	Adapter ASM
37	134-1451	1	Governor Lever ASM	125	134-1523	1	Fuel Limiter ASM
38	134-1525	2	Plunger Shim Set	133	134-1517	1	Spring-Governor
56	134-1516	1	Spring-Lever, Governor	134	134-1505	1	Nut-Cap
66	134-1471	1	Spring-Limiter, Fuel	135	134-1506	1	Plate
67	134-1518	1	Shim Set	136	134-1380	1	Solenoid-Stop
71	134-1519	1	Shim (T=1.0)	137	134-1530	1	Gasket
72	134-1395	1	Stopper-Shaft	138	125-7205	2	Bolt

# Fuel Injection Valve Assembly

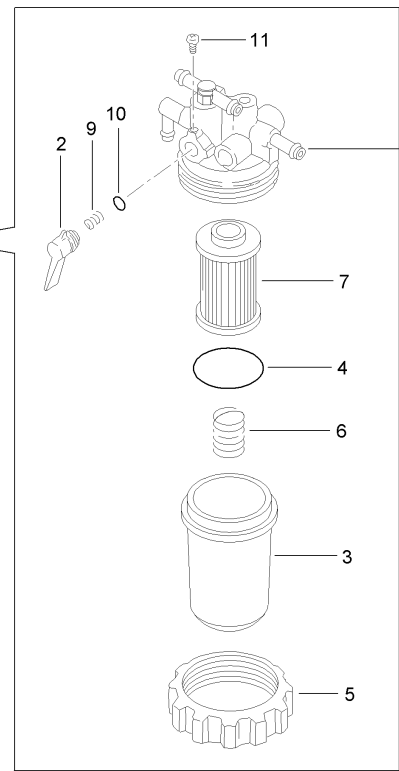
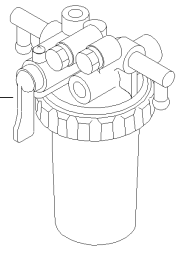
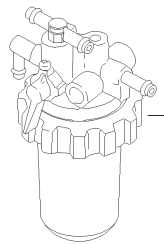
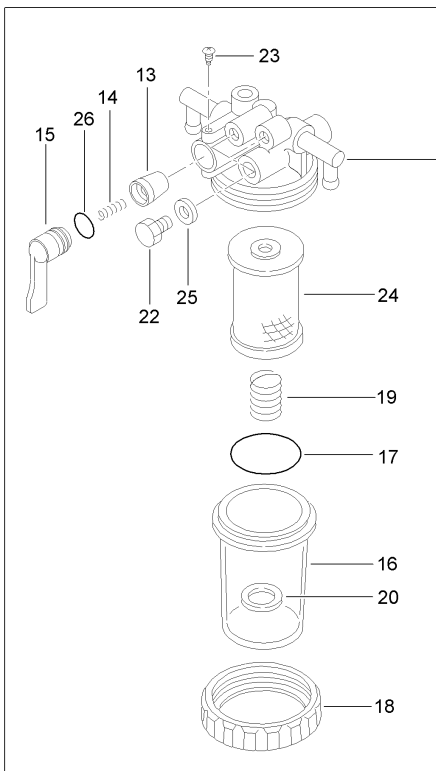


## Fuel Injection Valve Assembly (continued)

<i>Ref.</i>	<i>Part Number</i>	<i>Qty.</i>	<i>Description</i>	<i>Ref.</i>	<i>Part Number</i>	<i>Qty.</i>	<i>Description</i>
1	134-1429	3	Injection Valve ASM	33	135-4243	1	Joint-Pipe
2	134-1378	3	Holder-Nozzle	34	125-7176	2	Washer-Seal
3	134-1430	3	Fuel Injection Nozzle ASM	35	134-1431	1	Return Pipe ASM
4	135-4231	3	Adjusting Shim Set	41	135-4237	3	Gasket
15	134-1488	1	Retainer-Pipe	42	134-1388	1	Return Hose ASM
18	125-7027	2	Bolt	43	136-8225	2	Clamp-Hose
20	134-1432	1	Injection Pipe ASM	45	134-1384	1	Joint-Overflow
24	134-1433	1	Injection Pipe ASM	46	135-4240	3	Nut-Nozzle
28	134-1434	1	Injection Pipe ASM	47	135-4241	1	Check Valve ASM
32	135-4242	1	Bolt-Joint, Pipe	53	125-7176	2	Washer-Seal

# Fuel Filter Assembly

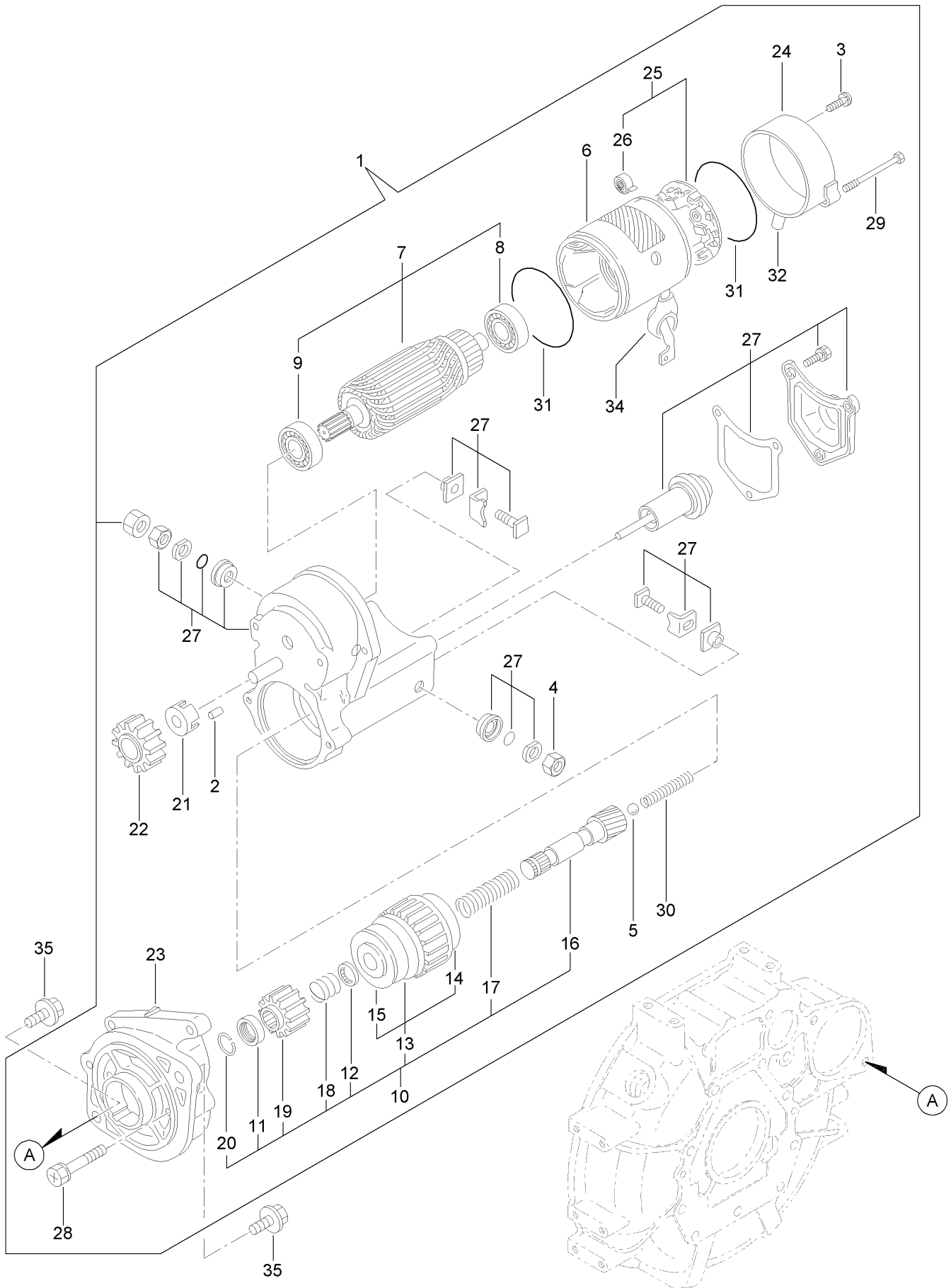
## LOOSE PARTS



## Fuel Filter Assembly (continued)

<i>Ref.</i>	<i>Part Number</i>	<i>Qty.</i>	<i>Description</i>	<i>Ref.</i>	<i>Part Number</i>	<i>Qty.</i>	<i>Description</i>
1	134-1447	1	Fuel Filter ASM	14	134-1373	1	Spring-Valve, Fuel
2	134-1454	1	Lever-Fuel	15	134-1374	1	Handle, Cock
3	134-1459	1	Cup-Strainer, Fuel	16	134-1462	1	Cup-Strainer, Fuel
4	134-1371	1	O-Ring	17	134-1371	1	O-Ring
5	134-1376	1	Ring-Retaining, Cup	18	134-1376	1	Ring-Retaining, Cup
6	134-1458	1	Spring-Element	19	134-1555	1	Spring
7	134-3085	1	Element-Filter, Fuel	20	134-1461	1	Float
9	134-1373	1	Spring-Valve, Fuel	22	134-1370	2	Plug-Hex
10	134-1535	1	O-Ring	23	134-1375	1	Screw-Pan
11	134-1375	1	Screw-Pan	24	134-1524	1	Filter-Fuel
12	134-1509	1	Water Separator ASM	25	134-1531	2	Gasket
13	134-1372	1	Valve-Taper	26	134-1535	1	O-Ring

# Starter Motor Assembly

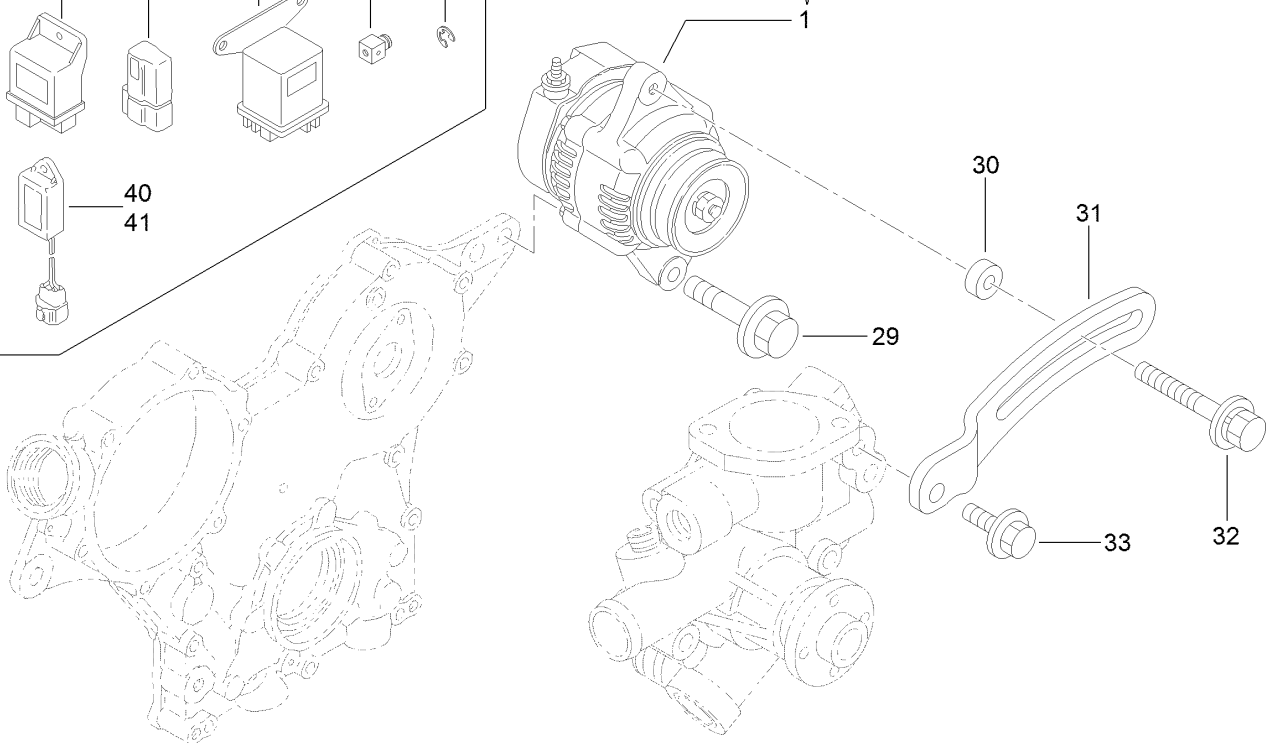
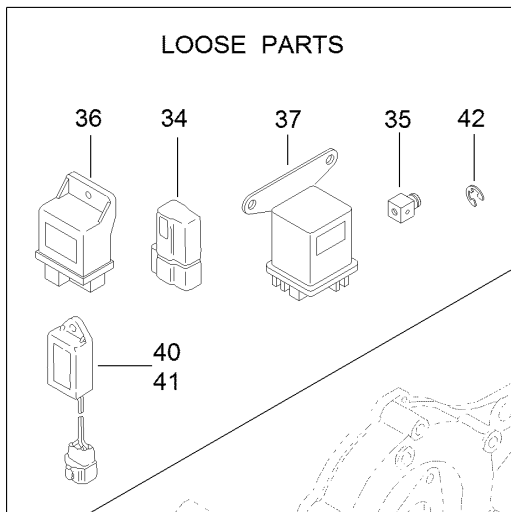
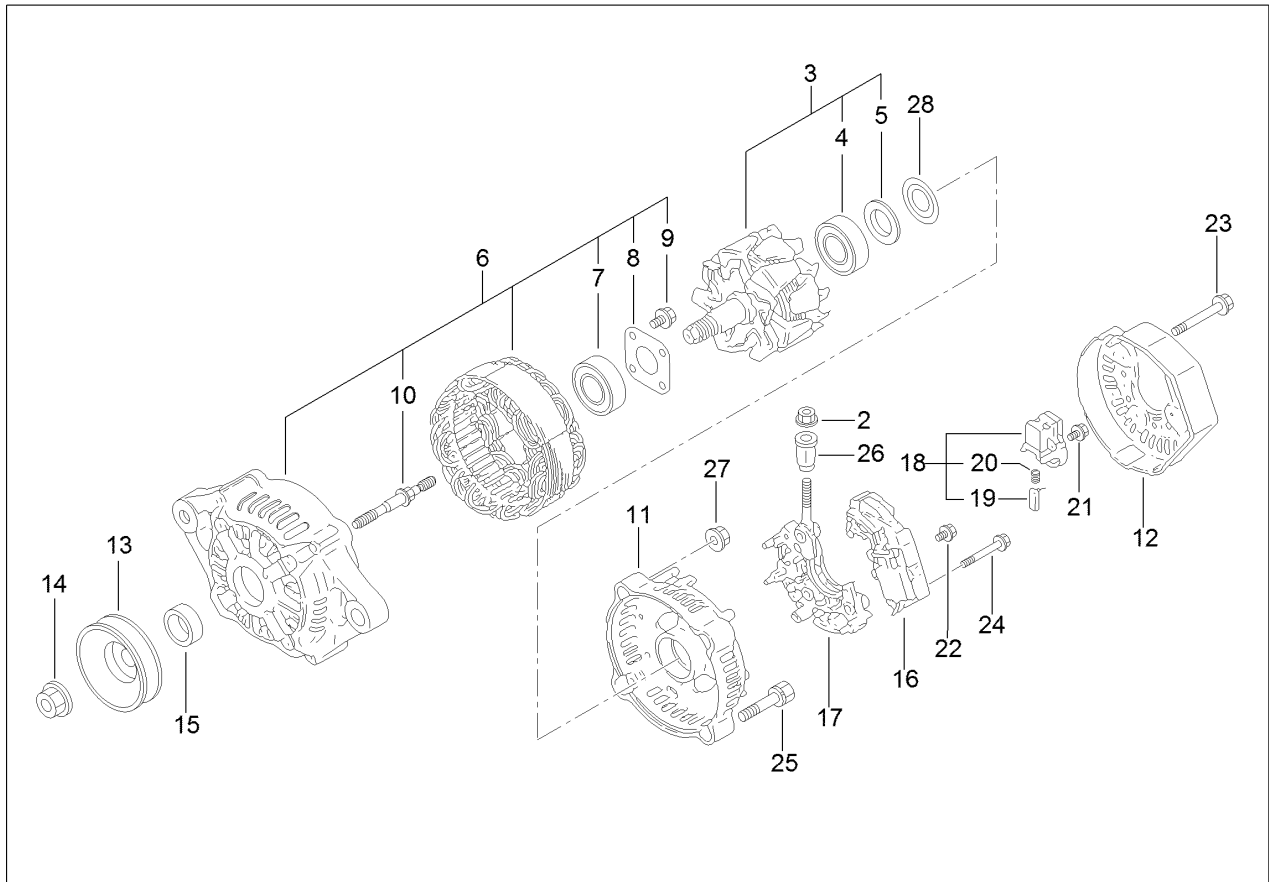




## Starter Motor Assembly (continued)

<i>Ref.</i>	<i>Part Number</i>	<i>Qty.</i>	<i>Description</i>	<i>Ref.</i>	<i>Part Number</i>	<i>Qty.</i>	<i>Description</i>
1	134-1448	1	Starter	18	134-1515	1	Spring
2	134-1546	5	Roller	19	134-1548	1	Pinion-Starter
3	134-1487	2	Screw	20	134-1484	1	Ring-Snap
4	134-1552	1	Nut	21	134-1474	1	Retainer
5	134-1553	1	Ball-Steel	22	134-1475	1	Pinion
6	134-1510	1	Yoke ASM	23	134-1551	1	Housing
7	134-1511	1	Armature ASM	24	134-1512	1	Cover
8	134-1472	1	Bearing-Ball	25	134-1513	1	Holder ASM
9	134-1473	1	Bearing-Ball	26	134-1554	4	Spring
10	134-1549	1	Starter Kit	27	134-1550	1	Switch ASM
11	134-1545	1	Nut	28	134-1476	2	Bolt
12	134-1547	1	Retainer	29	134-1514	2	Bolt
13	134-1481	1	Clutch ASM	30	134-1477	1	Spring
14	134-1485	1	Bearing-Ball	31	134-1478	2	O-Ring
15	134-1486	1	Bearing-Ball	32	134-1479	1	Cover
16	134-1482	1	Shaft-Starter	34	134-1480	1	Cap
17	134-1483	1	Spring	35	133-2496	2	Bolt

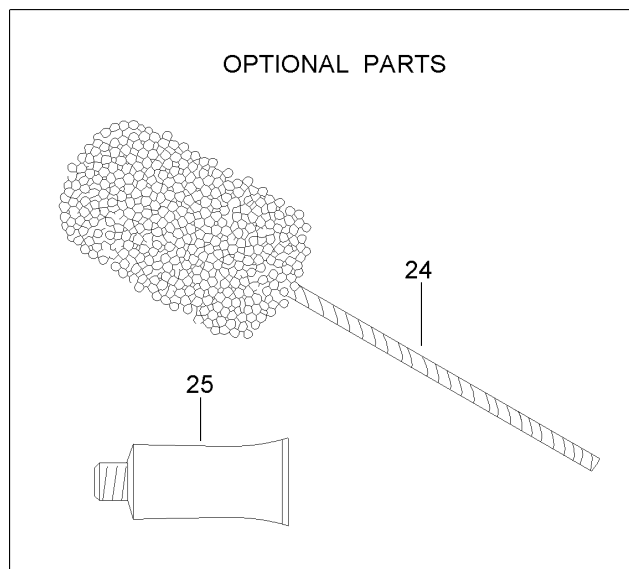
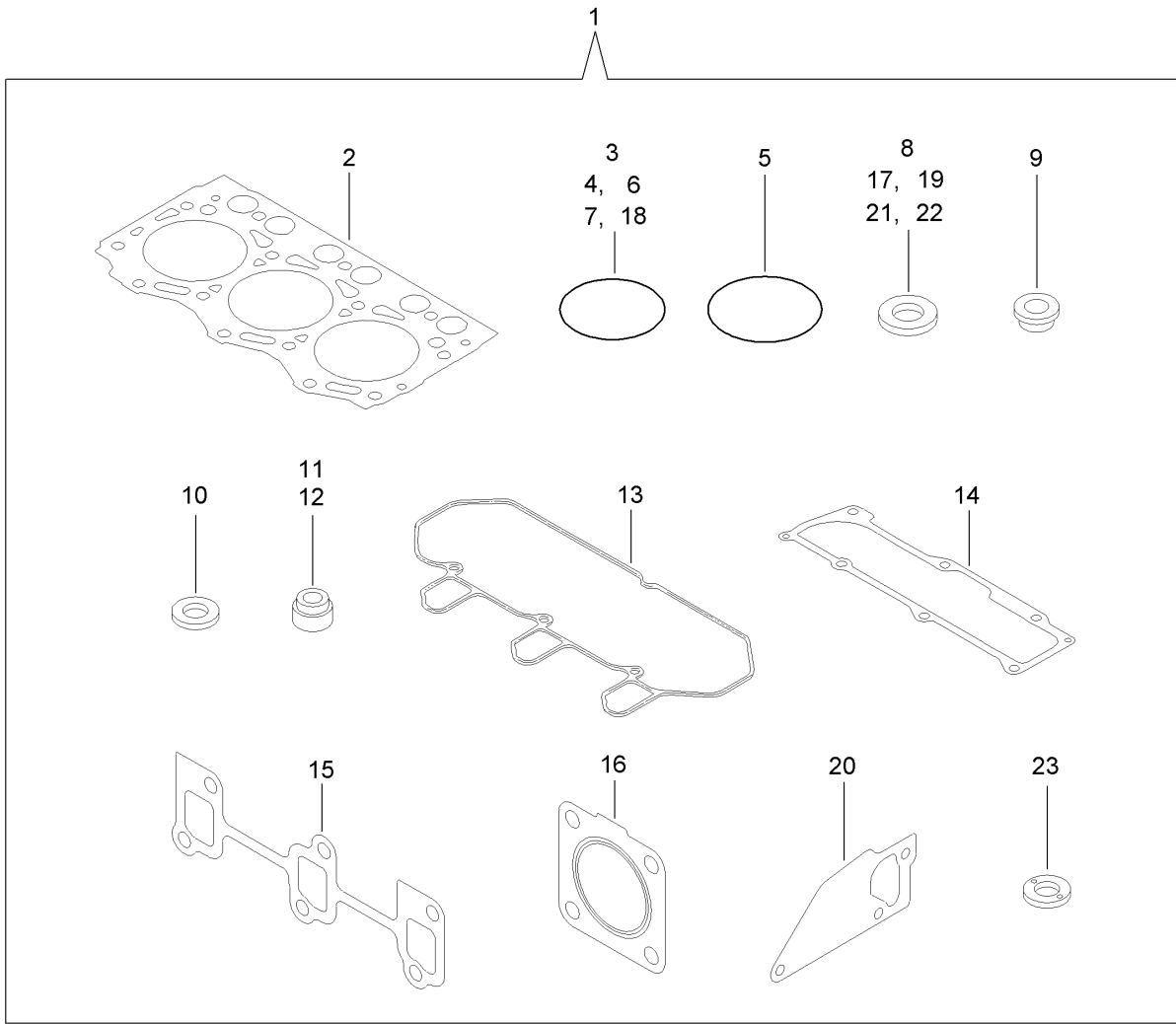
# Generator Assembly



## Generator Assembly (continued)

<i>Ref.</i>	<i>Part Number</i>	<i>Qty.</i>	<i>Description</i>	<i>Ref.</i>	<i>Part Number</i>	<i>Qty.</i>	<i>Description</i>
1	127-3001	1	Generator	21	127-2965	6	Screw
2	127-3190	1	Nut	22	127-2966	1	Screw
3	127-2951	1	Rotor ASM	23	127-2967	3	Bolt
4	127-2983	1	Bearing-Ball	24	127-2968	2	Screw
5	127-2962	1	Cover	25	127-2969	2	Bolt
6	127-2952	1	Frame ASM	26	127-2970	1	Bushing-Insulation
7	127-2958	1	Bearing-Ball	27	127-2971	2	Nut
8	127-2959	1	Plate-Retainer	28	127-2972	1	Washer
9	127-2960	4	Screw	29	135-4277	1	Bolt
10	127-2961	2	Stud	30	125-6947	1	Spacer
11	127-2953	1	Frame ASM	31	135-4279	1	Adjuster-Belt
12	127-2999	1	Cover	32	125-7134	1	Bolt
13	127-2954	1	Pulley	33	125-7595	1	Bolt
14	127-2955	1	Nut	34	134-1393	1	Diode
15	127-2957	1	Collar	35	134-1465	1	Retainer
16	127-3002	1	Regulator ASM	36	134-1453	1	Relay-Safety
17	127-2963	1	Holder	37	134-1394	1	Glow Relay ASM
18	127-2993	1	Holder	40	134-1501	1	Timer
19	127-2956	2	Brush ASM	41	134-1507	1	Timer
20	127-2964	2	Spring	42	134-1528	1	Ring

# Gasket Set



## Gasket Set (continued)

<i>Ref.</i>	<i>Part Number</i>	<i>Qty.</i>	<i>Description</i>	<i>Ref.</i>	<i>Part Number</i>	<i>Qty.</i>	<i>Description</i>
1	134-1543	1	Gasket Set	14	135-4095	1	Gasket
2	134-1396	1	Gasket-Head	15	135-4107	1	Gasket-Manifold, Exhaust
3	127-2973	1	O-Ring	16	134-1383	1	Gasket-Silencer
4	135-4058	3	O-Ring	17	125-7176	4	Washer-Seal
5	125-6957	1	O-Ring	18	135-4178	1	O-Ring
6	125-7197	2	O-Ring	19	125-7174	4	Washer-Seal
7	134-1538	1	O-Ring	20	135-4193	1	Gasket-Pump, Water
8	136-8236	1	Washer-Seal	21	125-7192	1	Gasket
9	135-4069	3	Protector-Nozzle	22	125-6979	2	Gasket
10	135-4070	6	Gasket-Nozzle	23	135-4237	3	Gasket
11	125-6915	3	Seal-Stem, Valve	24	125-7038	1	Hone
12	125-6916	3	Seal-Stem, Valve	25	125-7248	1	Gasket-Liquid
13	135-4093	1	Gasket-Cover, Cylinder Head				

# Attachments and Accessories

## For 31050 — ProLine H800 Rotary Mower

Product Name	Model/Part
TV 15 KPH Speed Decal Kit .....	02969
TV 25 KPH Speed Decal Kit .....	02990
Arm Rest Kit.....	134-3594

**Notes:**



**Count on it.**