



EN 14in or 16in 60V MAX String Trimmer,
Flex-Force Power System® 60V MAX
Attachment

88716

ES Desbrozadora de hilo 60V MAX de 36 cm
(14") o 41 cm (16") Accesorio Flex-Force
Power System® 60V MAX

88716

FR Débroussailleuse filaire 60 V MAX de 35 cm
(14 po) ou 41 cm (16 po) Outil Flex-Force
Power System® 60V MAX

88716





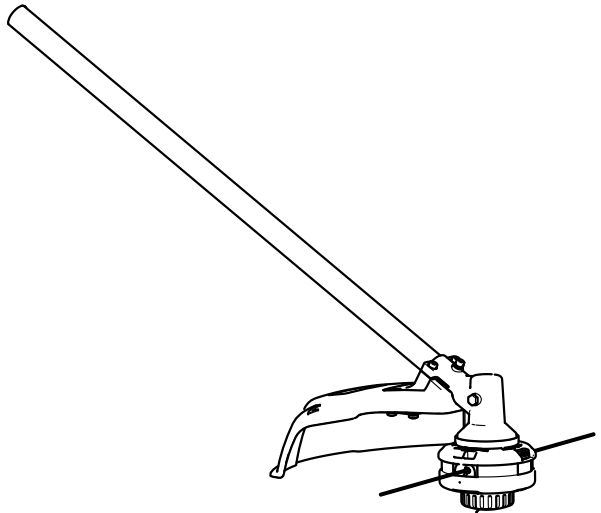
Count on it.

Operator's Manual

**14in or 16in 60V MAX String
Trimmer**

**Flex-Force Power System® 60V MAX
Attachment**

Model No. 88716—Serial No. 323000001 and Up





For assistance, please see www.Toro.com/support for instructional videos or contact your Authorized Service Dealer before returning this product.

⚠ WARNING

CALIFORNIA Proposition 65 Warning

The power cord on this product contains lead, a chemical known to the State of California to cause birth defects or other reproductive harm. Wash hands after handling.

Use of this product may cause exposure to chemicals known to the State of California to cause cancer, birth defects, or other reproductive harm.

Introduction

This trimmer is intended to be used by residential homeowners to trim grass as needed outdoors. It is to be used only by adults. It is designed to be used in combination with the Flex-Force Power System® 60V MAX Attachment-Capable Power Head Model 51810T. Using this product for purposes other than its intended use could prove dangerous to you and bystanders.

Read this information carefully to learn how to operate and maintain your product properly and to avoid injury and product damage. You are responsible for operating the product properly and safely.

Visit www.Toro.com for product safety and operation training materials, accessory information, help finding a dealer, or to register your product.

Whenever you need service, genuine the manufacturer parts, or additional information, contact an Authorized Service Dealer or the manufacturer Customer Service and have the model and serial numbers of your product

© 2026—The Toro®

Company
8111 Lyndale Avenue
South
Bloomington, MN
55420

Register at
www.Toro.com.

Original Instructions
(EN)
Printed in China
All Rights Reserved



ready. [Figure 1](#) identifies the location of the model and serial numbers on the product. Write the numbers in the space provided.

Important: With your mobile device, you can scan the QR code on the serial number decal (if equipped) to access warranty, parts, and other product information.

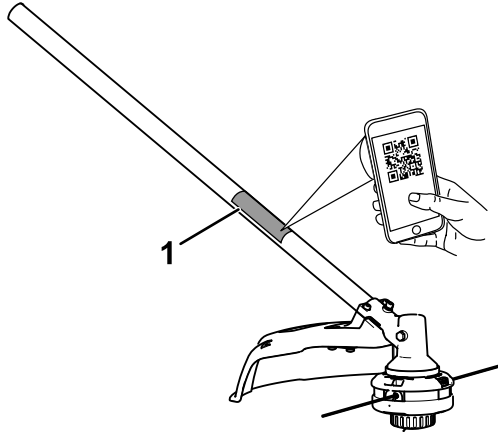


Figure 1

g426370

1. Model and serial number location

Model No. _____
Serial No. _____

Safety-Alert Symbol

The safety-alert symbol (Figure 2) shown in this manual and on the machine identifies important safety messages that you must follow to prevent accidents.



Figure 2
Safety-alert symbol

g000502

The safety-alert symbol appears above information that alerts you to unsafe actions or situations and is followed by the word **DANGER**, **WARNING**, or **CAUTION**.

DANGER indicates an imminently hazardous situation which, if not avoided, **will** result in death or serious injury.

WARNING indicates a potentially hazardous situation which, if not avoided, **could** result in death or serious injury.

CAUTION indicates a potentially hazardous situation which, if not avoided, **may** result in minor or moderate injury.

This manual uses two other words to highlight information. **Important** calls attention to special mechanical information and **Note** emphasizes general information worthy of special attention.

The Model 51810T Power Head is compatible with a variety of Toro-approved attachments that, when combined, comply with specific standards; see the following table for more detail.

Combination	Power Head Model	Attachment Model	Standard
String Trimmer	51810T	88716	Conforms to UL STD 82 Certified to CSA STD C22.2 No. 147
Edger	51810T	88710	Conforms to UL STD 82 Certified to CSA STD C22.2 No. 147
Pole Saw	51810T	88714	Conforms to UL STD 82 Certified to CSA STD C22.2 No. 147
Cultivator	51810T	88715	Conforms to UL STD 82 Certified to CSA STD C22.2 No. 147
Hedge Trimmer	51810T	88713	Conforms to UL STD 62841-4-2 Certified to CSA STD C22.2 62841-4-2

Safety

IMPORTANT SAFETY INSTRUCTIONS

⚠ WARNING

When using electric gardening tools, always read and follow basic safety warnings and instructions to reduce the risk of fire, electric shock, and personal injury, including the following:

Read All Instructions

I. Training

1. The operator of the tool is responsible for any accidents or hazards occurring to others or their property.
2. Do not allow children to use or play with the tool, battery pack, or the battery charger; local regulations may restrict the age of the operator.
3. Do not allow children or untrained people to operate or service this device. Allow only people who are responsible, trained, familiar with the instructions, and physically capable to operate or service the device.
4. Before using the tool, battery pack, and battery charger, read all the instructions and cautionary markings on these products.
5. Become familiar with the controls and proper use of the tool, battery pack, and battery charger.

II. Preparation

1. Keep bystanders and children away from the operating area.
2. Use only the battery pack specified by Toro. Using other accessories and attachments may increase the risk of injury and fire.
3. Plugging the battery charger into an outlet that is not 120 V can cause a fire or electric shock. Do not plug the battery charger into an outlet other than 120 V. For a different style of connection, use an attachment plug adapter of the proper configuration for the power outlet if needed.
4. Do not use a damaged or modified battery pack or battery charger, which may exhibit unpredictable behavior that results in fire, explosion, or risk of injury.

5. If the supply cord to the battery charger is damaged, contact an Authorized Service Dealer to replace it.
6. Charge the battery pack with only the battery charger specified by Toro. A charger suitable for 1 type of battery pack may create a risk of fire when used with another battery pack.
7. Charge the battery pack in a well-ventilated area only.
8. Follow all charging instructions and do not charge the battery pack outside of the temperature range specified in the instructions. Otherwise, you may damage the battery pack and increase the risk of fire.
9. Do not operate the tool without all guards and other safety protective devices in place and functioning properly on the tool.
10. Dress properly—Wear appropriate clothing, including eye protection; long pants; substantial, slip-resistant footwear; rubber gloves; and hearing protection. Tie back long hair and do not wear loose clothing or loose jewelry that can get caught in moving parts. Wear a dust mask in dusty operating conditions.

III. Operation

1. Avoid dangerous environments—Do not use the tool in rain or in damp or wet locations.
2. Use the proper tool for your application—Using the tool for purposes other than its intended use could prove dangerous to you and bystanders.
3. Prevent unintentional starting—Ensure that the switch is in the OFF position before connecting to the battery pack and handling the tool. Do not carry the tool with your finger on the switch or energize the tool with the switch in the ON position.
4. Operate the tool only in daylight or good artificial light.
5. If the tool strikes an object or starts to vibrate, immediately shut off the tool, wait for all moving parts to stop, and disconnect the battery before examining the tool for damage. Make all necessary repairs before resuming operation.
6. Remove the battery pack from the tool before adjusting it or changing accessories.
7. Keep your hands and feet away from the cutting area and all moving parts.
8. Shut off the tool, remove the battery pack from the tool, and wait for all movement to stop before adjusting, servicing, cleaning, or storing the tool.
9. Remove the battery pack from the tool whenever you leave it unattended.
10. Do not force the tool—Allow the tool to do the job better and safer at the rate for which it was designed.
11. Do not overreach—Keep proper footing and balance at all times, especially on slopes. Walk, never run with the tool.
12. Stay alert—Watch what you are doing and use common sense when operating the tool. Do not use the tool while ill, tired, or under the influence of alcohol or drugs.
13. Ensure that the ventilation openings are kept clear of debris.
14. Under abusive conditions, the battery pack may eject liquid; avoid contact. If you accidentally come into contact with the liquid, flush with water. If the liquid contacts your eyes, seek medical help. Liquid ejected from the battery pack may cause irritation or burns.
15. Do not expose a battery pack or tool to fire or excessive temperature. Exposure to fire or temperature above 130°C (265°F) may cause explosion.

16. **CAUTION**—A mistreated battery pack may present a risk of fire, explosion, or chemical burn.
- Do not disassemble the battery pack.
 - Replace the battery pack with a genuine Toro battery pack only; using another type of battery pack may cause a fire or risk of injury.
 - Keep battery packs out of the reach of children and in the original packaging until you are ready to use them.

IV. Maintenance and Storage

1. Maintain the tool with care—Keep it clean and in good repair for best performance and to reduce the risk of injury. Follow the instructions for lubricating and changing accessories. Keep handles dry, clean, and free from oil and grease.
2. When the battery pack is not in use, keep it away from metal objects such as paper clips, coins, keys, nails, and screws that can make a connection from 1 terminal to another. Shorting the battery terminals may cause burns or a fire.
3. Keep your hands and feet away from moving parts.
4. Shut off the tool, remove the battery pack from the tool, and wait for all movement to stop before adjusting, servicing, cleaning, or storing the tool.
5. Check the tool for damaged parts—If there are damaged guards or other parts, determine whether it will operate properly. Check for misaligned and binding moving parts, broken parts, mounting, and any other condition that may affect its operation. Unless indicated in the instructions, have an Authorized Service Dealer repair or replace a damaged guard or part.
6. Do not replace the existing non-metallic cutting means on the tool with a metallic cutting means.
7. Do not attempt to service or repair the tool, battery pack, or battery charger except as indicated in the instructions. Have an Authorized Service Dealer perform service using identical replacement parts to ensure that the product is safely maintained.
8. Store an idle tool indoors in a place that is dry, secure, and out of the reach of children.
9. Do not dispose of the battery in a fire. The cell may explode. Check with local codes for possible special disposal instructions.

SAVE THESE INSTRUCTIONS

Safety and Instructional Decals



Safety decals and instructions are easily visible to the operator and are located near any area of potential danger. Replace any decal that is damaged or missing.



139-5346

decal139-5210



139-5210

decal139-5210

1. Warning—read the *Operator's Manual*; stay away from moving parts; keep all guards in place; wear eye protection; do not operate in wet conditions.

Setup

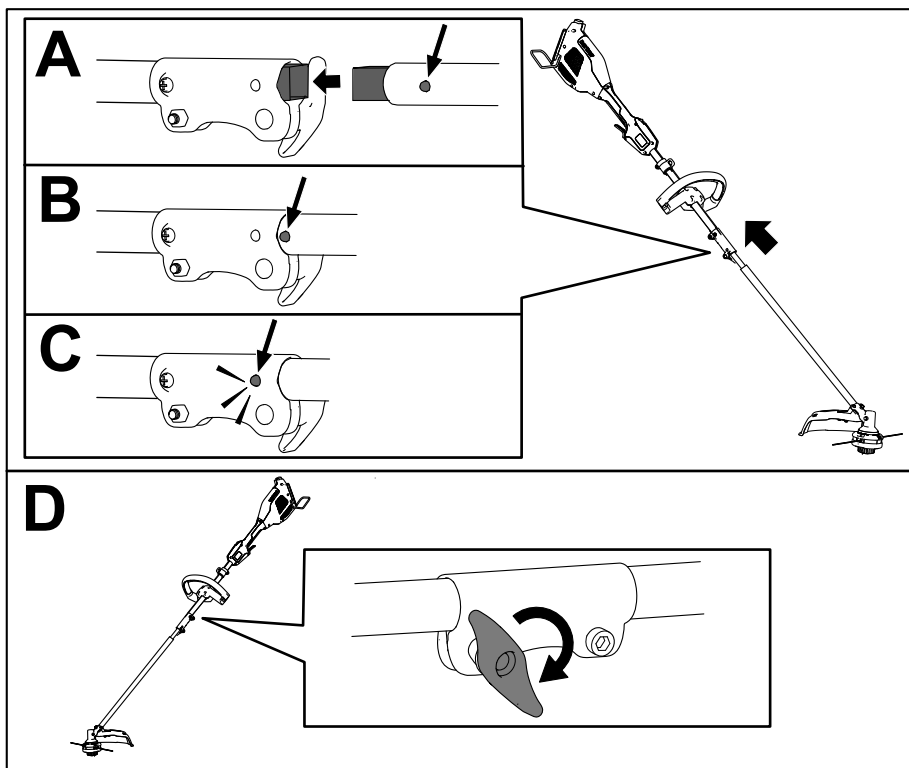
1

Connecting the Attachment to the Power Head

No Parts Required

Procedure

1. Install the square shaft of the attachment into the square shaft of the power head (A of [Figure 3](#)).
2. Align the locking button on the lower shaft with the slotted hole on the upper shaft and slide the 2 shafts together (B and C of [Figure 3](#)).
3. The locking button clicks into the slotted hole when the shafts are secured (C of [Figure 3](#)).
4. Using the screw-handle, tighten the screw on the shaft connector until it is secure (D of [Figure 3](#)).



g524929

Figure 3

2

Installing the Guard

Parts needed for this procedure:

1	Guard
4	Washer
4	Bolt

Procedure

1. Align the trimmer guard beneath the guard mount as shown in [Figure 4](#).

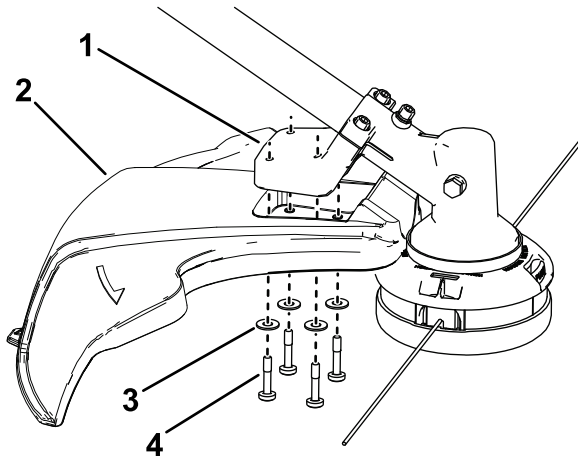


Figure 4

g333216

1. Guard mount
2. Trimmer guard
3. Washer
4. Bolt

-
2. Secure the guard to the trimmer using the 4 washers and 4 bolts as shown in [Figure 4](#).

Product Overview

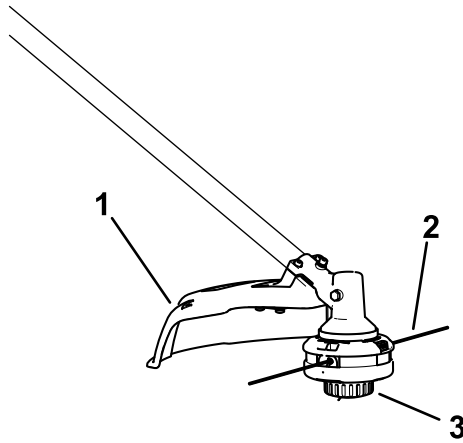


Figure 5

g372306

- 1. Guard
- 2. String
- 3. Bump button

Specifications

Model	88716, attaches to 51810T
Charger Type	Flex-Force 60V lithium-ion chargers
Battery Type	Flex-Force 60V lithium-ion batteries

Appropriate Temperature Ranges

Charge/store the battery pack at	5°C (41°F) to 40°C (104°F)*
Use the battery pack at	-30°C (-22°F) to 49°C (120°F)
Use the trimmer at	0°C (32°F) to 49°C (120°F)
Store the trimmer at	0°C (32°F) to 49°C (120°F)*

*Charging time will increase if you do not charge the battery within this range.

Store the tool, battery pack, and battery charger in an enclosed clean, dry area.

Attachments/Accessories

A selection of Toro approved attachments and accessories is available for use with the machine to enhance and expand its capabilities. Contact your Authorized Service Dealer or authorized Toro distributor or go to www.Toro.com for a list of all approved attachments and accessories.

To ensure optimum performance and continued safety certification of the machine, use only genuine Toro replacement parts and accessories. Replacement parts and accessories made by other manufacturers could be dangerous.

Operation

Starting the Attachment

1. Ensure that the vents on the attachment, power head, and battery are clear of any dust and debris.
2. Align the cavity in the battery pack with the tongue on the handle housing (Figure 6).

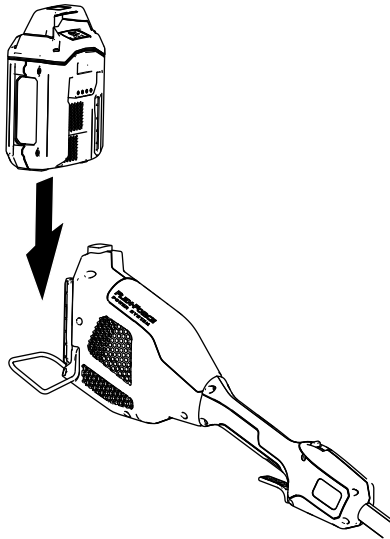


Figure 6

g357444

3. Push the battery pack into the handle until the battery locks into the latch.

4. To start the attachment, press the lockout button, then squeeze the run trigger (Figure 7).

Note: Slide the 2-speed switch to change the speed of the attachment.

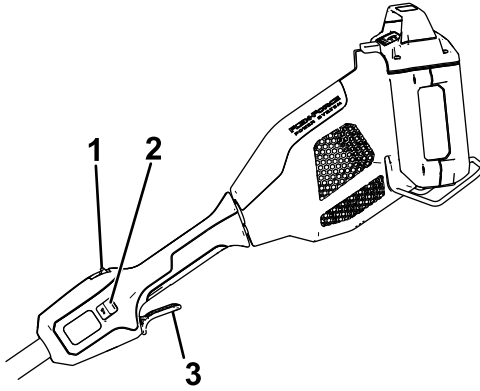


Figure 7

g357456

1. Lockout button
2. 2-speed switch
3. Run trigger

Shutting Off the Trimmer

To shut off the trimmer, release the trigger.

Whenever you are not using the trimmer or are transporting the trimmer to or from the work area, remove the battery pack.

Removing the Battery Pack from the Power Head

Press the battery latch on the machine to release the battery pack and slide the battery pack out of the machine (Figure 8).

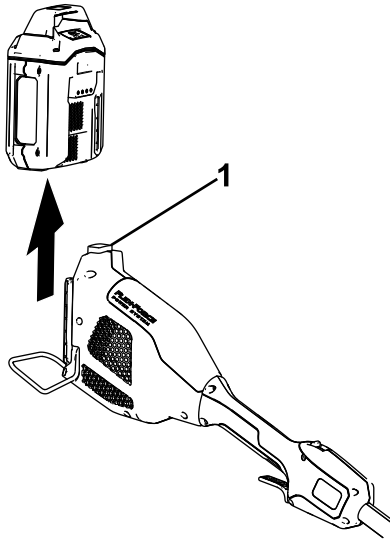


Figure 8

g357457

1. Battery latch

Removing the Attachment from the Power Head

1. Ensure that the battery pack is removed from the power head; refer to [Removing the Battery Pack from the Power Head](#) (page 18).
2. Loosen the screw-handle on the shaft connector ([Figure 3](#)).
3. Press the locking button down while pulling the 2 shafts apart ([Figure 3](#)).

Advancing the Line Using the Bump Feed

1. Run the trimmer at full throttle.
2. Tap the bump button on the ground to advance the line. The line advances each time the bump button is tapped. Do not hold the bump button on the ground.

Note: The line trimming cut-off blade on the grass deflector cuts the line to the correct length.

Note: If the line is worn too short, you may not be able to advance the line by tapping it on the ground. If so, release the trigger and refer to [Advancing the Line Manually \(page 19\)](#).

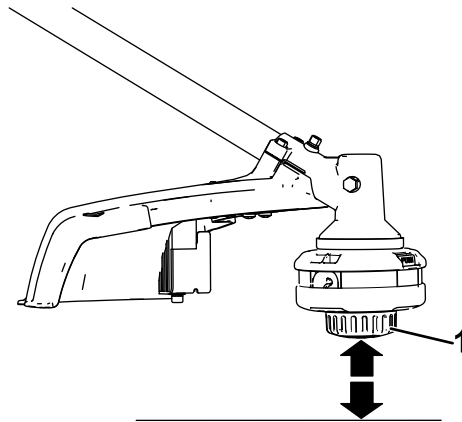


Figure 9

g331007

1. Bump button

Advancing the Line Manually

Remove the battery pack from the trimmer, then push the bump button at the base of the spool retainer while pulling on the trimmer line to manually advance the line.

Adjusting the Cutting Swath

The trimmer comes from the factory with a cutting swath of 36.6 cm (14 inches) as shown in A of [Figure 10](#). Refer to the following instructions to adjust the swath to 40.6 cm (16 inches) as shown in D of [Figure 10](#).

1. Remove the swath blade from the bottom of the guard by removing the 2 screws holding it in place using the provided Allen wrench (B of [Figure 10](#)) and rotate the swath blade 180°.
2. Once the swath blade is rotated, install it onto the guard using the 2 screws previously removed (C of [Figure 10](#)).

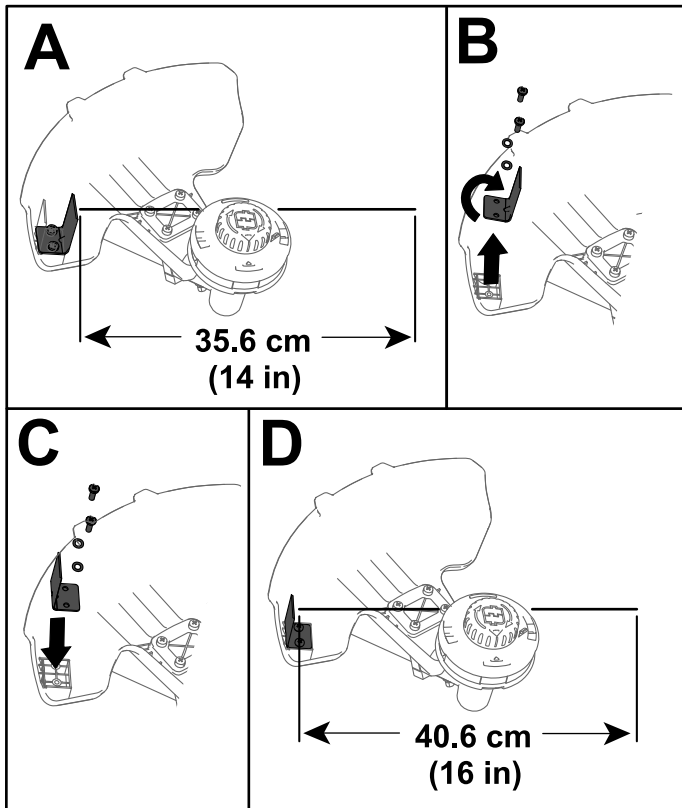


Figure 10

g524941

Operating Tips

- Keep the trimmer tilted toward the area being cut; this is the best cutting area.
- The string trimmer cuts when you move it from right to left. This prevents the trimmer from throwing debris at you.
- Use the tip of the string to do the cutting; do not force the string head into uncut grass.
- Wire and picket fences can cause the string to wear rapidly and even break. Stone and brick walls, curbs, and wood can also cause the string to wear rapidly.
- Avoid trees and shrubs. The string can easily damage tree bark, wood moldings, siding, and fence posts.

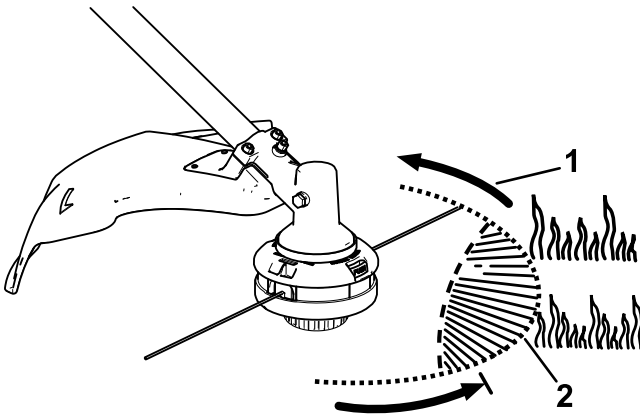


Figure 11

g330996

1. Direction of rotation

2. String path

Maintenance

After each use of the trimmer, complete the following:

1. Remove the battery from the power head.
2. Wipe the trimmer clean with a damp cloth. Do not hose the trimmer down or submerge it in water.

CAUTION

The line cutoff blade on the deflector is sharp and can cut you.

Do not use your hands to clean the deflector shield and blade.

3. Wipe or scrape clean the cutting head area any time there is an accumulation of debris.
4. Check and tighten all fasteners. If any part is damaged or lost, repair or replace it.
5. Brush debris away from air intake vents and exhaust on motor housing to prevent the motor from overheating.

Replacing the String

Important: Use only 2 mm (0.080 inch) diameter monofilament string (the manufacturer Part No. 88611) or 2.4 mm (0.095 inch) diameter twisted monofilament string (the manufacturer Part No. 88202).

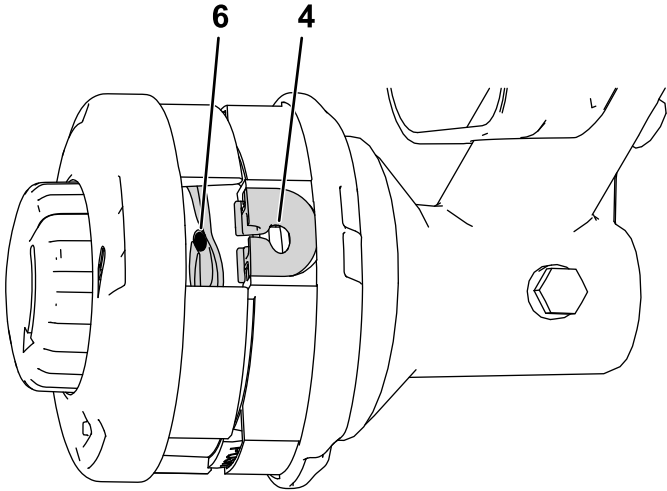
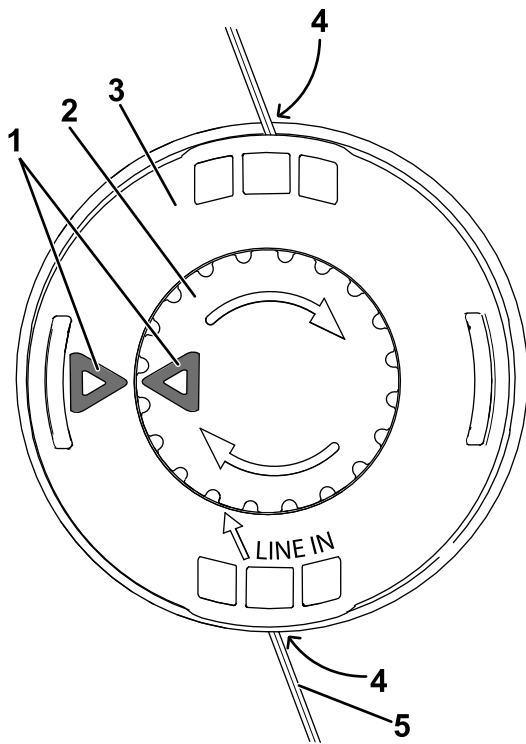
1. Remove the battery pack and clean any debris from the trimmer head.
2. Remove any old string on the spool by repetitively pressing the bump button while pulling the line out equally from both sides of the trimmer.
3. Cut a piece of string according to the following specifications.
 - If you are using 2 mm (0.080 inch) string, cut one piece of line approximately 4.9 m (16 ft).
 - If you are using 2.4 mm (0.095 inch) twisted string, cut one piece of line approximately 3 m (10 ft).

Important: Do not use any other gauge or type of string, and do not exceed the recommended length as this could damage the trimmer.

4. Press and turn the knob on the string head until arrow on the knob aligns with arrow on the string head (Figure 12).
5. Insert 1 end of the line at an angle into the LINE IN eyelet and push the line through the string head track until it comes out through the eyelet on the other side. Pull the line through the string head until the line outside the string is evenly divided on each side.

Important: Do not disassemble the trimmer head; disassembled view shown for clarity.

6. Hold the string head in place with one hand. With your other hand, rotate the knob in the direction shown by the arrows (clockwise).
7. Wind the line, leaving about 102 mm (4 inches) extending beyond the eyelet on each side.



g330983

g330985

Figure 12

- | | |
|----------------|-----------|
| 1. Arrows | 4. Eyelet |
| 2. Knob | 5. String |
| 3. String head | 6. Track |

Replacing the Trimmer Head

1. Remove the battery pack from the trimmer.
2. Insert a small-diameter tool (such as a screwdriver) through the motor housing and into the groove in the fan to secure the trimmer head so it does not freely rotate (Figure 13).

Note: With the tool inserted in the hole, rotate the trimmer head until you feel the rod fall into the groove.

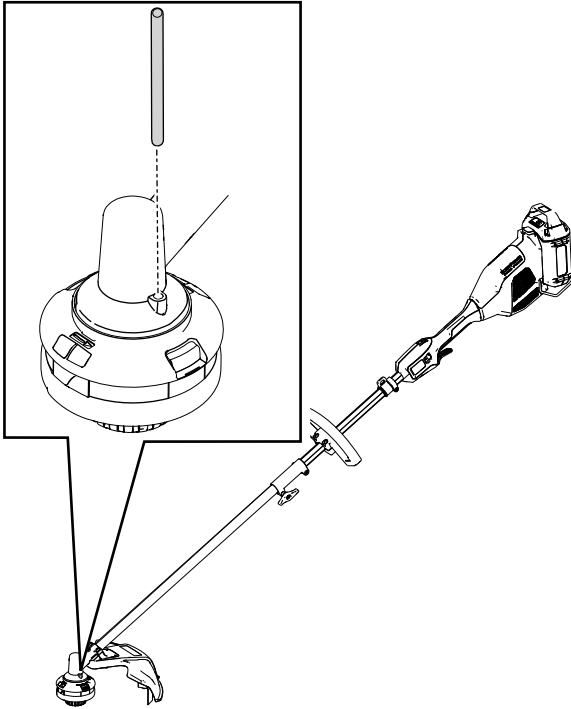


Figure 13

g572332

3. With a tool securing the trimmer head, rotate the trimmer head counterclockwise to remove it from the threaded gearcase post (Figure 14).

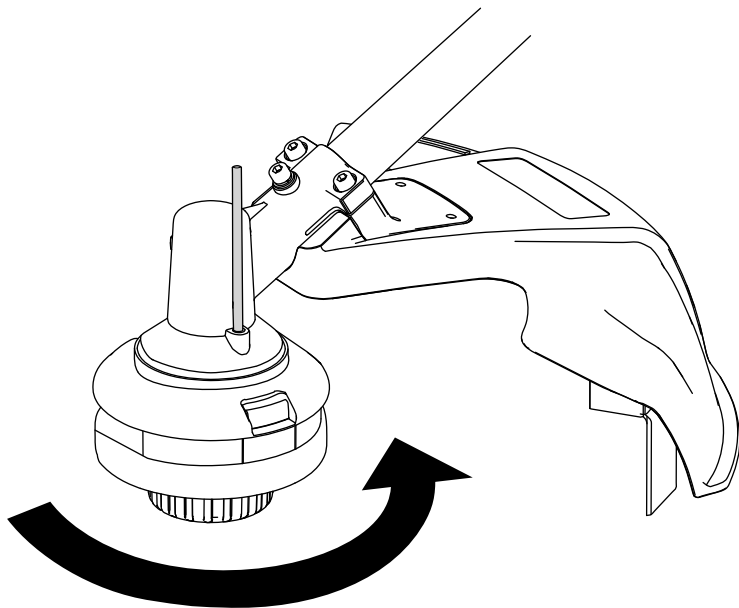


Figure 14

g572294

-
4. To install the new trimmer head, rotate it clockwise onto the gearcase post while securing the fan with a tool.

Lubricating the Gearbox

Service Interval: Every 25 hours or monthly, whichever comes first

1. Shut off the trimmer, remove the battery pack, and clean any debris from the trimmer head.
2. Set the trimmer so the gearbox is upright.
3. Remove the plug from the side of the trimmer (Figure 15).

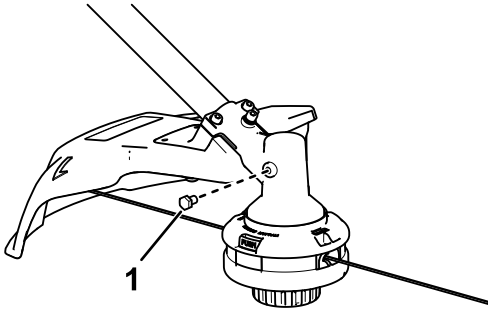


Figure 15

g524953

1. Gearbox plug
-

4. Apply a small amount of grease into the gearbox using a grease gun.

Note: Use No. 2 lithium grease.

5. Install the gearbox plug.

Storage

Important: Store the machine, battery pack, and charger only in temperatures that are within the appropriate range; refer to [Specifications \(page 15\)](#).

Important: If you are storing the machine for a year or longer, remove the battery pack from the machine and charge the battery pack until 1 or 2 LED indicators turn green on the battery. Do not store a fully charged or fully depleted battery. When you are ready to use the machine again, charge the battery pack until the left indicator light turns green on the charger or all 4 LED indicators turn green on the battery.

- Disconnect the machine from the power supply (i.e., remove the battery pack) and check for damage after use.
- Clean all foreign material from the machine.
- Do not store the machine or charger with the battery pack installed.
- When not in use, store the machine, battery pack, and battery charger out of the reach of children.
- Keep the machine, battery pack, and battery charger away from corrosive agents such as garden chemicals and de-icing salts.
- To reduce the risk of serious personal injury, do not store the battery pack outside or in vehicles.
- Store the machine, battery pack, and battery charger in an enclosed clean, dry area.

Troubleshooting

Perform only the steps described in these instructions. All further inspection, maintenance, and repair work must be performed by an authorized service center or a similarly qualified specialist if you cannot solve the problem yourself.

Always remove the battery from the tool when troubleshooting, inspecting, maintaining, or cleaning the tool.

Problem	Possible Cause	Corrective Action
The tool does not run or does not run continuously.	<ol style="list-style-type: none"><li data-bbox="386 423 675 472">1. The battery is not fully installed in the tool.<li data-bbox="386 570 675 618">2. The battery pack is not charged.<li data-bbox="386 651 675 732">3. The battery pack is over or under the appropriate temperature range.<li data-bbox="386 789 675 870">4. There is moisture on the leads of the battery pack.<li data-bbox="386 878 675 927">5. The battery pack is damaged.<li data-bbox="386 935 675 1016">6. There is another electrical problem with the tool.	<ol style="list-style-type: none"><li data-bbox="707 423 996 553">1. Remove and then replace the battery into the tool, making sure that it is fully installed and latched.<li data-bbox="707 570 996 643">2. Remove the battery pack from the tool and charge it.<li data-bbox="707 651 996 781">3. Move the battery pack to a place where it is dry and the temperature is between 5°C (41°F) and 40°C (104°F).<li data-bbox="707 789 996 846">4. Allow the battery pack to dry or wipe it dry.<li data-bbox="707 878 996 927">5. Replace the battery pack.<li data-bbox="707 935 996 984">6. Contact an Authorized Service Dealer.
The tool does not reach full power or the gearbox is getting hot.	<ol style="list-style-type: none"><li data-bbox="386 1039 675 1088">1. The battery pack charge capacity is too low.<li data-bbox="386 1154 675 1203">2. The air vents are blocked.<li data-bbox="386 1211 675 1292">3. The gearbox is not being lubricated properly.	<ol style="list-style-type: none"><li data-bbox="707 1039 996 1138">1. Remove the battery pack from the tool and fully charge the battery pack.<li data-bbox="707 1154 996 1187">2. Clean the air vents.<li data-bbox="707 1211 996 1243">3. Lubricate the gearbox.

Problem	Possible Cause	Corrective Action
The tool is producing excessive vibration or noise.	<ol style="list-style-type: none"> 1. The gearbox is not being lubricated properly. 2. There is debris under the grass shield or in the bump head housing on the trimmer. 3. The spool is not properly wound. 	<ol style="list-style-type: none"> 1. Lubricate the gearbox. 2. Clean any debris from under the grass shield or in the bump head housing. 3. Advance the line using the bump head and/or remove the line on the spool and wind the spool again.
The bump head does not advance the line.	<ol style="list-style-type: none"> 1. The trimmer is out of line. 2. The line is tangled in the bump head housing. 3. There is debris under the grass shield or in the bump head housing on the trimmer. 	<ol style="list-style-type: none"> 1. Add more line to the bump head. 2. Remove the bump head cover and untangle the line. 3. Clean any debris from under the grass shield or in the bump head housing.
The battery pack loses charge quickly.	<ol style="list-style-type: none"> 1. The battery pack is over or under the appropriate temperature range. 2. The trimmer is overloaded. 	<ol style="list-style-type: none"> 1. Move the battery pack to a place where it is dry and the temperature is between 5°C (41°F) and 40°C (104°F). 2. Trim at a slower pace.

Notes:

California Proposition 65 Warning Information

What is this warning?

You may see a product for sale that has a warning label like the following:



WARNING: Cancer and Reproductive Harm—www.p65Warnings.ca.gov.

What is Prop 65?

Prop 65 applies to any company operating in California, selling products in California, or manufacturing products that may be sold in or brought into California. It mandates that the Governor of California maintain and publish a list of chemicals known to cause cancer, birth defects, and/or other reproductive harm. The list, which is updated annually, includes hundreds of chemicals found in many everyday items. The purpose of Prop 65 is to inform the public about exposure to these chemicals.

Prop 65 does not ban the sale of products containing these chemicals but instead requires warnings on any product, product packaging, or literature with the product. Moreover, a Prop 65 warning does not mean that a product is in violation of any product safety standards or requirements. In fact, the California government has clarified that a Prop 65 warning "is not the same as a regulatory decision that a product is 'safe' or 'unsafe.'" Many of these chemicals have been used in everyday products for years without documented harm. For more information, go to <https://oag.ca.gov/prop65/faqs-view-all>.

A Prop 65 warning means that a company has either (1) evaluated the exposure and has concluded that it exceeds the "no significant risk level"; or (2) has chosen to provide a warning based on its understanding about the presence of a listed chemical without attempting to evaluate the exposure.

Does this law apply everywhere?

Prop 65 warnings are required under California law only. These warnings are seen throughout California in a wide range of settings, including but not limited to restaurants, grocery stores, hotels, schools, and hospitals, and on a wide variety of products. Additionally, some online and mail order retailers provide Prop 65 warnings on their websites or in catalogs.

How do the California warnings compare to federal limits?

Prop 65 standards are often more stringent than federal and international standards. There are various substances that require a Prop 65 warning at levels that are far lower than federal action limits. For example, the Prop 65 standard for warnings for lead is 0.5 µg/day, which is well below the federal and international standards.

Why don't all similar products carry the warning?

- Products sold in California require Prop 65 labelling while similar products sold elsewhere do not.
- A company involved in a Prop 65 lawsuit reaching a settlement may be required to use Prop 65 warnings for its products, but other companies making similar products may have no such requirement.
- The enforcement of Prop 65 is inconsistent.
- Companies may elect not to provide warnings because they conclude that they are not required to do so under Prop 65; a lack of warnings for a product does not mean that the product is free of listed chemicals at similar levels.

Why does Toro include this warning?

Toro has chosen to provide consumers with as much information as possible so that they can make informed decisions about the products they buy and use. Toro provides warnings in certain cases based on its knowledge of the presence of one or more listed chemicals without evaluating the level of exposure, as not all the listed chemicals provide exposure limit requirements. While the exposure from Toro products may be negligible or well within the "no significant risk" range, out of an abundance of caution, Toro has elected to provide the Prop 65 warnings. Moreover, if Toro does not provide these warnings, it could be sued by the State of California or by private parties seeking to enforce Prop 65 and subject to substantial penalties.

TORO[®]

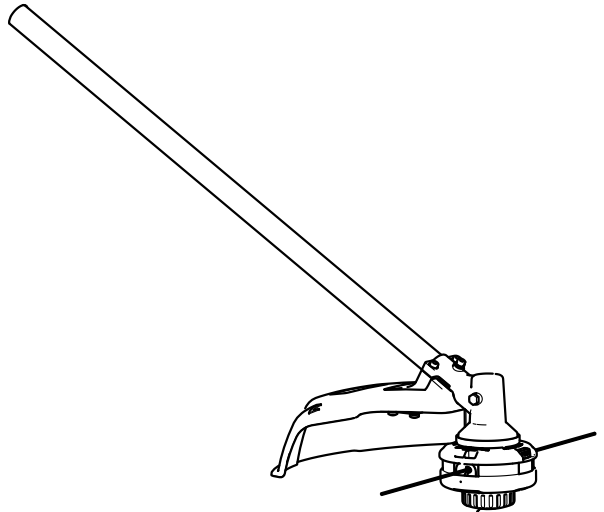
Count on it.

Manual del operador

**Desbrozadora de hilo
60V MAX de 36 cm (14") o
41 cm (16")**

**Accesorio Flex-Force Power Sys-
tem[®] 60V MAX**

Nº de modelo 88716—Nº de serie 323000001 y
superiores





Si necesita ayuda, consulte los vídeos instruccionales en www.Toro.com/support o póngase en contacto con un Servicio Técnico Autorizado antes de devolver este producto.

⚠ ADVERTENCIA

CALIFORNIA

Advertencia de la Propuesta 65

El cable eléctrico de este producto contiene plomo, que el Estado de California sabe que causa defectos congénitos u otros peligros para la reproducción. Lávese las manos después de manejar el material.

El uso de este producto puede provocar la exposición a sustancias químicas que el Estado de California considera causantes de cáncer, defectos congénitos u otros trastornos del sistema reproductor.

Introducción

Esta desbrozadora está diseñada para ser usada por usuarios domésticos para cortar la hierba en espacios exteriores. Debe ser utilizada únicamente por adultos. Está diseñada para ser usada en combinación con la unidad de potencia de cabezal intercambiable Flex-Force Power System® 60 V MAX, Modelo 51810T. El uso de este producto para otros propósitos que los previstos podría ser peligroso para usted y para otras personas.

Lea este manual detenidamente para aprender a utilizar y mantener correctamente su producto, y para evitar lesiones y daños al producto. Usted es responsable de utilizar el producto de forma correcta y segura.

Visite www.Toro.com para buscar materiales de formación y seguridad o información sobre accesorios, para localizar un distribuidor o para registrar su producto.

© 2026—The Toro®

Company
8111 Lyndale Avenue
South
Bloomington, MN
55420

Registre su producto
en www.Toro.com.

Traducción del original
(ES)
Impreso en China
Reservados todos
los derechos



* 3 4 6 0 - 9 5 2 *

Si necesita asistencia técnica, piezas genuinas del fabricante o información adicional, póngase en contacto con un Servicio Técnico Autorizado o con el Servicio de atención al cliente del fabricante y tenga a mano el número de serie y de modelo del producto. **Figura 1** identifica la ubicación de los números de modelo y serie en el producto. Escriba los números en el espacio provisto.

Importante: Con su dispositivo móvil, puede escanear el código QR de la pegatina del número de serie (en su caso) para acceder a información sobre la garantía, las piezas, y otra información sobre el producto.

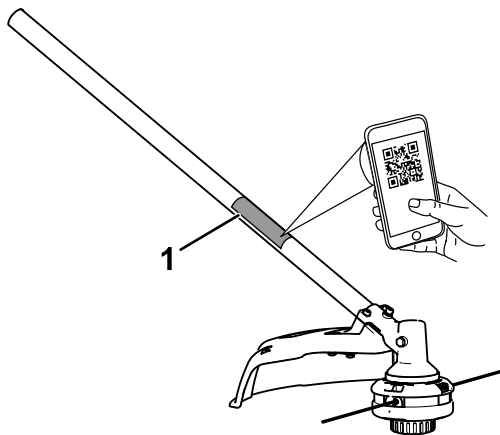


Figura 1

g426370

1. Ubicación de los números de modelo y de serie

Nº de modelo _____
Nº de serie _____

Símbolo de alerta de seguridad

El símbolo de alerta de seguridad (Figura 2) que aparece en este manual y en la máquina identifica mensajes de seguridad importantes que usted debe observar para evitar accidentes.



Figura 2

Símbolo de alerta de seguridad

g000502

El símbolo de alerta de seguridad aparece encima de información que le alerta ante acciones o situaciones inseguras, y va seguido de la palabra **PELIGRO, ADVERTENCIA, o CUIDADO**.

PELIGRO: Indica una situación peligrosa inminente, que si no se evita, **causará** la muerte o lesiones graves.

ADVERTENCIA indica una situación potencialmente peligrosa que si no se evita, **podría** causar la muerte o lesiones graves.

CUIDADO: Indica una situación potencialmente peligrosa que si no se evita, **podría** causar lesiones menores o moderadas.

Este manual utiliza dos palabras más para resaltar información.

Importante llama la atención sobre información mecánica especial, y

Nota resalta información general que merece una atención especial.

La unidad de potencia Modelo 51810T es compatible con una variedad de accesorios homologados por Toro que, en combinación, cumplen unas normas específicas; consulte la tabla siguiente para obtener más detalles.

Combinación	Modelo de la unidad de potencia	Modelo del accesorio	Norma
Desbrozadora de hilo	51810T	88716	Cumple UL STD 82 Certificado según CSA STD C22.2 N.º 147
Cortabordes	51810T	88710	Cumple UL STD 82 Certificado según CSA STD C22.2 N.º 147
Sierra de pértiga	51810T	88714	Cumple UL STD 82 Certificado según CSA STD C22.2 N.º 147
Motoazada	51810T	88715	Cumple UL STD 82 Certificado según CSA STD C22.2 N.º 147
Cortasetos	51810T	88713	Cumple UL STD 62841-4-2 Certificado según CSA STD C22.2 62841-4-2

Seguridad

INSTRUCCIONES DE SEGURIDAD IMPORTANTES

▲ ADVERTENCIA

Al utilizar herramientas de jardinería eléctricas, lea y observe siempre las normas básicas de seguridad y las instrucciones, a fin de reducir el riesgo de incendio, descarga eléctrica y lesiones personales:

Lea todas las instrucciones

I. Formación

1. El operador de la herramienta es responsable de cualquier accidente o peligro que afecte a otras personas o a su propiedad.
2. No deje que los niños utilicen o jueguen con la herramienta, la batería o el cargador de la batería; la normativa local puede restringir la edad del operador.
3. No permita que este dispositivo sea utilizado o mantenido por niños o por personas que no hayan recibido la formación adecuada. Sólo permita que manejen o mantengan el dispositivo personas responsables, formadas, familiarizadas con las instrucciones y físicamente capaces de utilizar la máquina.
4. Antes de utilizar la herramienta, la batería y el cargador de la batería, lea todas las instrucciones y símbolos de advertencia de estos productos.
5. Familiarícese con los controles y con el uso correcto de la herramienta, la batería y el cargador de la batería.

II. Preparación

1. Mantenga a otras personas y niños alejados de la zona de trabajo.
2. Utilice únicamente la batería especificada por Toro. El uso de otros accesorios puede aumentar el riesgo de incendio y lesiones.
3. Si se enchufa el cargador en una toma de corriente que no sea de 120 voltios, puede causar un incendio o una descarga eléctrica. No conecte el cargador de la batería a una toma de corriente que no sea de 120 V. Para otros tipos de conexión, utilice un adaptador en el enchufe del accesorio del tipo correcto para la toma de corriente, si es necesario.

4. No utilice la batería o el cargador de la batería si están dañados o modificados, porque podrían mostrar un comportamiento impredecible con resultado de incendio, explosión o riesgo de lesiones.
5. Si el cable de alimentación del cargador de la batería está dañado, póngase en contacto con un Servicio Técnico Autorizado para cambiarlo.
6. Cargue la batería únicamente con el cargador de la batería especificado por Toro. Un cargador diseñado para un tipo de batería puede crear un riesgo de incendio si se utiliza con otra batería.
7. Cargue la batería únicamente en una zona bien ventilada.
8. Siga todas las instrucciones de carga y no cargue la batería si la temperatura está fuera del intervalo especificado en las instrucciones. Podría dañar la batería y aumentar el riesgo de incendio.
9. No utilice la herramienta a menos que estén instalados todos los protectores y otros dispositivos de seguridad y que funcionen correctamente.
10. Vestimenta adecuada – lleve ropa adecuada, incluida protección ocular, pantalón largo, calzado resistente y antideslizante, guantes de goma y protección auditiva. Si tiene el pelo largo, recójase, y no lleve prendas holgadas o joyas sueltas que puedan quedar atrapadas en las piezas móviles. Lleve una mascarilla en condiciones de mucho polvo.

III. Operación

1. Evite entornos peligrosos – No utilice la herramienta bajo la lluvia o en lugares húmedos o mojados.
2. Utilice la herramienta correcta para su aplicación – El uso de la herramienta para otros propósitos que los previstos podría ser peligroso para usted y para otras personas.
3. Evite el encendido accidental – Asegúrese de que el interruptor está en la posición de DESCONECTADO antes de conectar la batería y manejar la herramienta. No transporte la herramienta con el dedo sobre el interruptor; no energice la herramienta con el interruptor en la posición de ENCENDIDO.
4. Use la herramienta únicamente en condiciones de luz diurna o buena luz artificial.
5. Si la herramienta golpea un objeto o empieza a vibrar, apague inmediatamente la herramienta, espere a que se detengan todas las piezas en movimiento, y desconecte la batería antes de examinar la herramienta en busca de daños. Haga todas las reparaciones necesarias antes de volver a utilizar la máquina.
6. Retire la batería de la herramienta antes de ajustarla o cambiar de accesorio.
7. Mantenga las manos y los pies alejados de la zona de corte y de todas las piezas en movimiento.
8. Apague la herramienta, retire la batería de la herramienta y espere a que se detenga todo movimiento antes de ajustar, revisar, limpiar o almacenar la herramienta.
9. Retire la batería de la herramienta antes de dejarla desatendida.
10. No fuerce la herramienta— deje que la herramienta haga el trabajo mejor y con más seguridad a la velocidad para la que fue diseñada.
11. No intente alcanzar zonas demasiado alejadas – pise firme y mantenga el equilibrio en todo momento, sobre todo en pendientes. Camine, no corra nunca con la herramienta.
12. Manténgase alerta—Esté atento a lo que está haciendo y utilice el sentido común mientras trabaje con la herramienta. No utilice la herramienta si está enfermo, cansado o bajo la influencia de alcohol o drogas.
13. Asegúrese de que los orificios de ventilación están libres de residuos.
14. En condiciones abusivas, la batería puede expulsar líquido; evite el contacto. En caso de un contacto accidental con el líquido, enjuague con agua. Si el líquido entra en contacto con sus ojos, busque

ayuda médica. El líquido expulsado de la batería puede causar irritación o quemaduras.

15. No exponga la batería o el cargador al fuego o a temperaturas excesivas. La exposición al fuego o a temperaturas superiores a los 130 °C (265 °F) puede causar una explosión.
16. CUIDADO – una batería maltratada puede representar un riesgo de incendio, explosión o quemadura química.
 - No desmonte la batería.
 - Sustituya la batería únicamente por una batería Toro genuina; el uso de otro tipo de batería podría provocar un incendio o un riesgo de lesión.
 - Mantenga las baterías fuera del alcance de los niños y en el embalaje original hasta su uso.

IV. Mantenimiento y almacenamiento

1. No descuide el mantenimiento de la herramienta — debe estar siempre limpia y en buenas condiciones de uso para obtener el mejor rendimiento y para reducir el riesgo de lesiones. Siga las instrucciones al lubricar y cambiar de accesorio. Mantenga las empuñaduras secas, limpias y libres de aceite y grasa.
2. Cuando la batería no se está utilizando, manténgala alejada de objetos metálicos como clips, monedas, llaves, clavos y tornillos que pudieran hacer una conexión entre un terminal y otro. Un cortocircuito entre los terminales de la batería puede causar quemaduras o un incendio.
3. Mantenga las manos y los pies alejados de las piezas en movimiento.
4. Apague la herramienta, retire la batería de la herramienta y espere a que se detenga todo movimiento antes de ajustar, revisar, limpiar o almacenar la herramienta.
5. Inspeccione la herramienta en busca de piezas dañadas – si hay protectores u otras piezas dañadas, determine si la herramienta funciona correctamente. Compruebe que las piezas móviles están correctamente alineadas y que se mueven libremente sin agarrotarse, que están correctamente montadas, que no hay piezas rotas, y que no hay otras circunstancias que pudieran afectar a su uso. A menos que se indique lo contrario en las instrucciones, haga que un Servicio Técnico Autorizado repare o sustituya cualquier protector o componente dañado.
6. No cambie los medios de corte no-metálicos de la herramienta por medios de corte metálicos.
7. No intente reparar o mantener la herramienta, la batería o el cargador de la batería, salvo con arreglo a lo indicado en las instrucciones. Haga que un Servicio Técnico Autorizado realice el mantenimiento usando piezas de repuesto idénticas para mantener el nivel de seguridad del producto.
8. Cuando la herramienta no se está utilizando, guárdela en un lugar seco y seguro, fuera del alcance de los niños.
9. No tire la batería usada al fuego. Las celdas pueden explosionar. Compruebe si la normativa local contiene alguna instrucción especial sobre la eliminación de las baterías.

GUARDE ESTAS INSTRUCCIONES

Pegatinas de seguridad e instrucciones



Las calcomanías de seguridad e instrucciones están a la vista del operador y están ubicadas cerca de cualquier zona de peligro potencial. Sustituya cualquier calcomanía que esté dañada o que falte.



139-5346

decal139-5210



139-5210

decal139-5210

1. Advertencia – lea el *Manual del operador*; manténgase alejado de las piezas móviles; mantenga colocados todos los protectores; utilice protección ocular; no utilice en condiciones húmedas.

Montaje

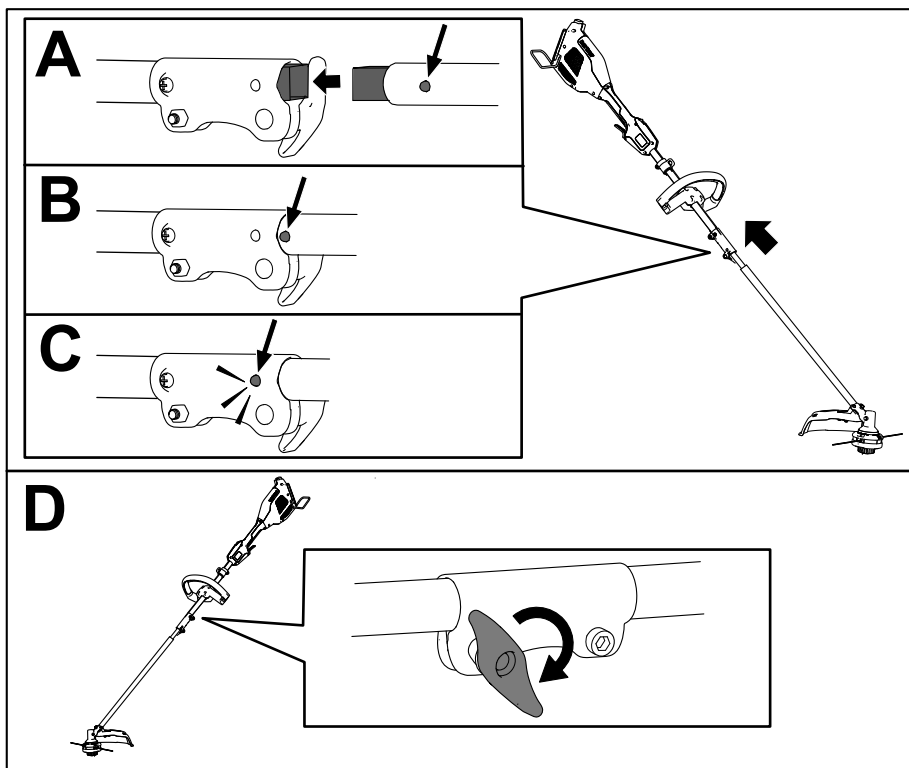
1

Conexión del accesorio a la unidad de alimentación

No se necesitan piezas

Procedimiento

1. Instale el tubo cuadrado del accesorio en el tubo cuadrado de la unidad de potencia (Figura 3, A).
2. Alinee el botón de bloqueo de la barra inferior con el orificio ranurado de la barra superior, y junte las dos barras (Figura 3, B y C).
3. El botón de bloqueo encaja en el orificio ranurado al juntarse las barras (Figura 3, C).
4. Usando la maneta, apriete el tornillo del conector de la barra hasta que quede firme (Figura 3, D).



g524929

Figura 3

2

Instalación del protector

Piezas necesarias en este paso:

1	Protector
4	Arandela
4	Perno

Procedimiento

1. Sitúe el protector de la desbrozadora por debajo del soporte del protector, como se muestra en la [Figura 4](#).

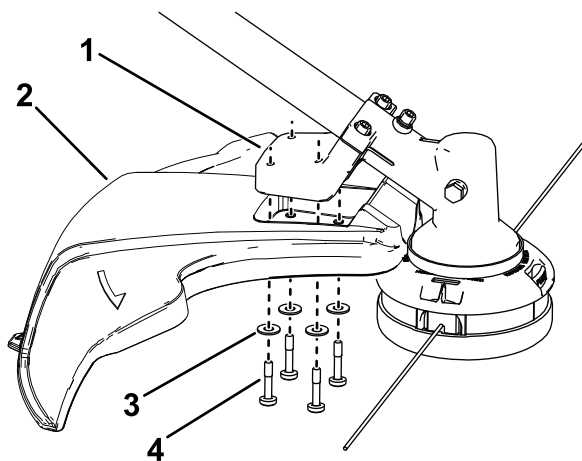


Figura 4

g333216

1. Soporte del protector
2. Protector de la desbrozadora
3. Arandela
4. Perno

2. Sujete el protector a la desbrozadora usando las 4 arandelas y los 4 pernos, como se muestra en la [Figura 4](#).

El producto

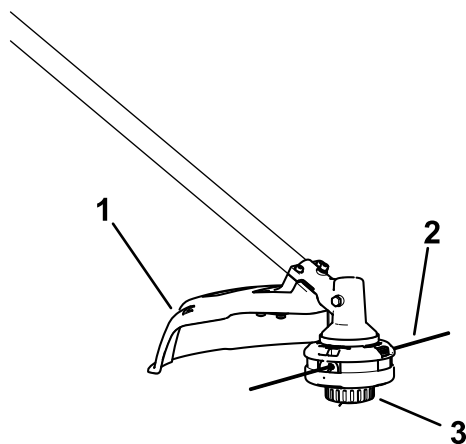


Figura 5

g372306

1. Protector
2. Hilo
3. Botón de avance

Especificaciones

Modelo	88716, se acopla al 51810T
Tipo de cargador	Cargadores de ion litio Flex-Force 60 V
Tipo de batería	Baterías de ion litio Flex-Force 60 V

Intervalos de temperatura adecuados

Cargue/guarde la batería a	5 °C a 40 °C (41 °F a 104 °F)*
Utilice la batería a	Entre -30 °C y 49 °C (-22 °F y 120 °F)
Utilice la desbrozadora a	0 °C a 49 °C (32 °F a 120 °F)
Guarde la desbrozadora a	0 °C a 49 °C (32 °F a 120 °F)*

*El tiempo de carga será mayor si la temperatura no está en este intervalo durante la carga.

Guarde la herramienta, la batería y el cargador en un lugar cerrado, limpio y seco.

Accesorios

Está disponible una selección de aperos y accesorios homologados por Toro que se pueden utilizar con la máquina a fin de potenciar y aumentar sus prestaciones. Póngase en contacto con su Servicio Técnico Autorizado o con su distribuidor autorizado Toro, o visite www.Toro.com para obtener una lista de todos los aperos y accesorios homologados.

Para asegurar un rendimiento óptimo y mantener la certificación de seguridad de la máquina, utilice solamente piezas y accesorios genuinos Toro. Las piezas de repuesto y los accesorios de otros fabricantes podrían ser peligrosos.

Operación

Arranque del accesorio

1. Compruebe que los orificios de ventilación del accesorio, de la unidad de potencia y de la batería están libres de polvo y residuos.
2. Alinee el hueco de la batería con la lengüeta del alojamiento de la empuñadura (**Figura 6**).

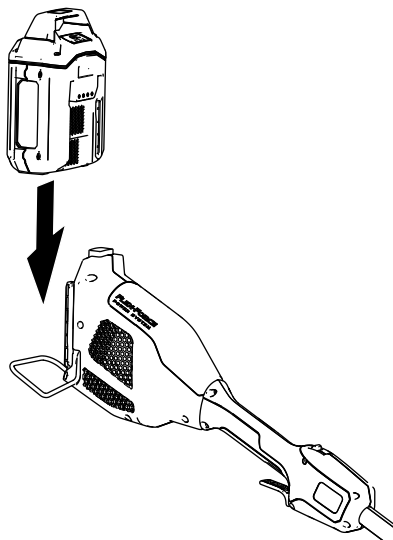


Figura 6

g357444

3. Introduzca la batería en la empuñadura hasta que la batería encaje en el cierre.

4. Para arrancar el accesorio, presione el botón de bloqueo y apriete el gatillo de accionamiento (Figura 7).

Nota: Mueva el interruptor de 2 velocidades para cambiar la velocidad del accesorio.

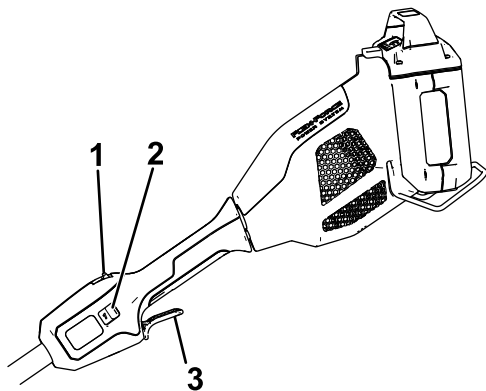


Figura 7

g357456

1. Botón de bloqueo
2. Interruptor de 2 velocidades
3. Gatillo de accionamiento

Cómo apagar la desbrozadora

Para apagar la desbrozadora, suelte el gatillo.

Cuando no esté utilizando la desbrozadora o la esté transportando hacia o desde el área de trabajo, retire la batería.

Retirada de la batería de la unidad de potencia

Presione el cierre de la batería en la máquina para liberar la batería, y retire la batería de la máquina ([Figura 8](#)).

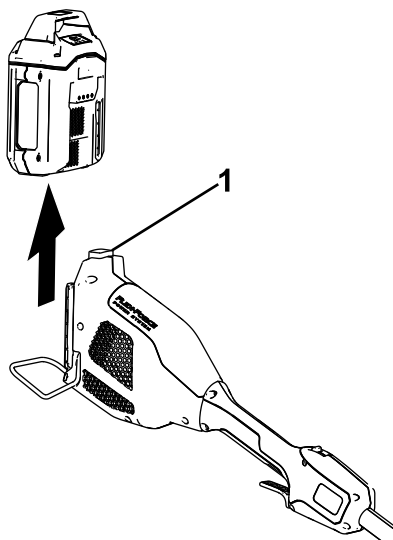


Figura 8

g357457

1. Cierre de la batería

Retirada del accesorio de la unidad de potencia

1. Asegúrese de que la batería ha sido retirada de la unidad de potencia; consulte [Retirada de la batería de la unidad de potencia](#) (página 18).
2. Afloje la maneta del conector de la barra ([Figura 3](#)).
3. Presione el botón de bloqueo hacia abajo y separe las dos barras ([Figura 3](#)).

Avance del hilo usando alimentación por golpe

1. Ponga la desbrozadora en marcha a toda potencia.
2. Golpee el botón de avance contra el suelo para avanzar el hilo. El hilo avanza cada vez que golpea el botón de avance. No mantenga el botón de avance presionado contra el suelo.

Nota: La cuchilla recortadora del hilo, situada en el deflector de hierba, corta el hilo a la longitud correcta.

Nota: Si el hilo está demasiado corto, puede que no sea posible hacerlo avanzar golpeándolo sobre el suelo. Si sucede esto, suelte el gatillo y consulte [Avance manual del hilo \(página 19\)](#).

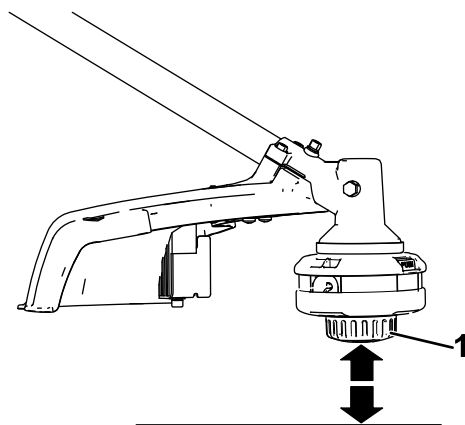


Figura 9

g331007

1. Botón de avance

Avance manual del hilo

Retire la batería de la desbrozadora, luego pulse el botón de avance situado en la base del retén del carrete mientras tira del hilo de la desbrozadora para avanzar el hilo manualmente.

Ajuste de la anchura de corte

La desbrozadora viene de fábrica con una anchura de corte de 36.6 cm (14"), como se muestra en la **Figura 10, A**. Consulte las siguientes instrucciones para ajustar la anchura de corte a 40.6 cm (16"), como se muestra en la **Figura 10, D**.

1. Retire la pletina de anchura de corte de la parte inferior del protector retirando los 2 tornillos que la sujetan con la llave allen suministrada (**Figura 10, B**) y gire la pletina de anchura de corte 180°.
2. Instale la pletina de anchura de corte girada en el protector usando los 2 tornillos que retiró anteriormente (**Figura 10, C**).

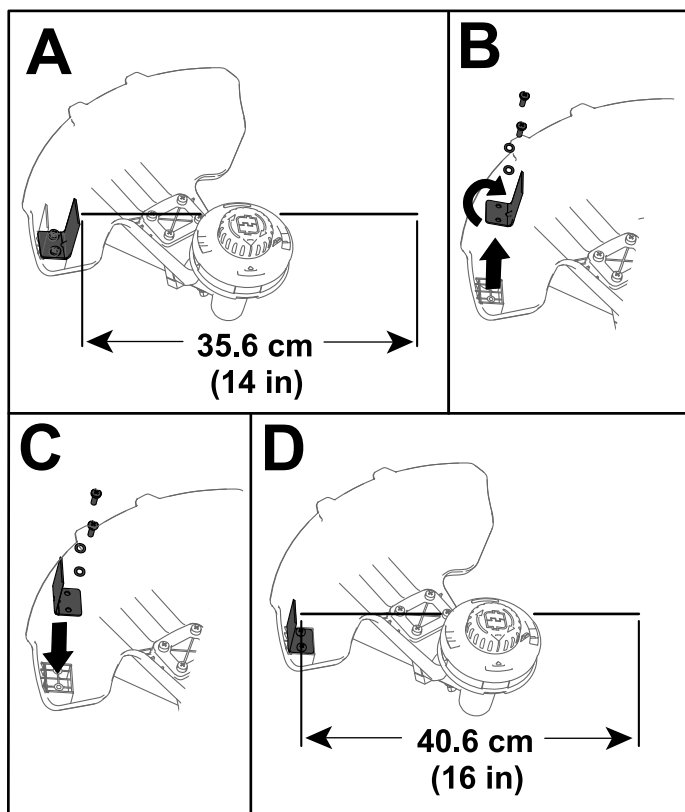


Figura 10

g524941

Consejos de operación

- Mantenga la desbrozadora inclinada hacia la zona que está cortando; ésta es la mejor zona de corte.
- La desbrozadora de hilo corta al moverla de derecha a izquierda. Esto evita que la desbrozadora arroje residuos hacia usted.
- Utilice el extremo del hilo para cortar; no introduzca el cabezal a la fuerza en la hierba sin cortar.
- Las vallas de alambre o madera pueden provocar que el hilo se desgaste rápidamente, e incluso pueden romperlo. Los muros de piedra o ladrillo, los bordillos y la madera también pueden desgastar el hilo rápidamente.
- Evite los árboles y los arbustos. El hilo puede dañar fácilmente la corteza de los árboles, las molduras de madera, los revestimientos, y los postes de las vallas.

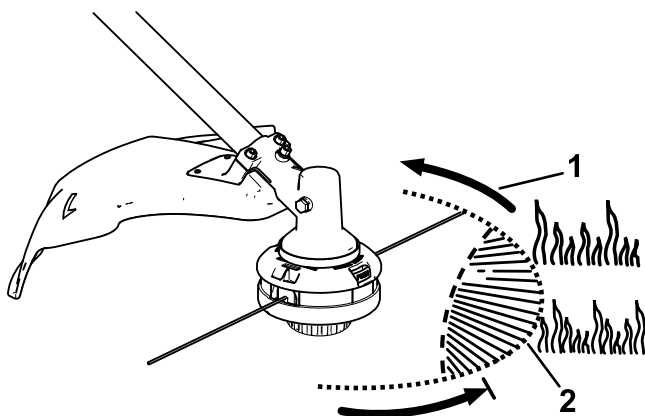


Figura 11

1. Sentido de rotación

2. Camino del hilo

g330996

Mantenimiento

Después de cada uso de la desbrozadora, complete los procedimientos siguientes:

1. Retire la batería de la unidad de potencia.
2. Limpie la desbrozadora pasando un paño húmedo. No lave la desbrozadora con una manguera ni la sumerja en agua.

⚠ CUIDADO

La cuchilla de corte del hilo, situada en el deflector, está muy afilada y puede cortarle.

No utilice las manos para limpiar el deflector o la cuchilla.

3. Limpie el cabezal de corte con un paño, rascando si es necesario, si observa una acumulación de residuos.
4. Compruebe y apriete todas las fijaciones. Repare o sustituya cualquier pieza dañada o que falte.
5. Con un cepillo, elimine cualquier residuo de las entradas y salidas de aire de la carcasa del motor para evitar que se sobrecaliente el motor.

Cambio del hilo

Importante: Utilice solamente hilo monofilamento de 2 mm (0.080") de diámetro (N.º de pieza del fabricante 88611) o hilo monofilamento torcido de 2.4 mm (0.095") de diámetro (N.º de pieza del fabricante 88202).

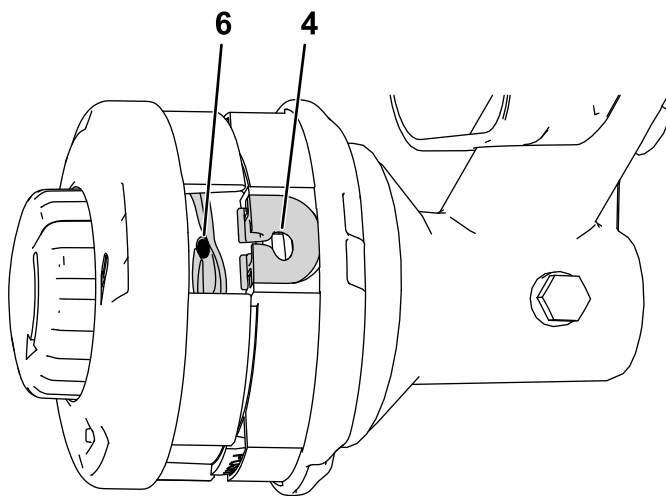
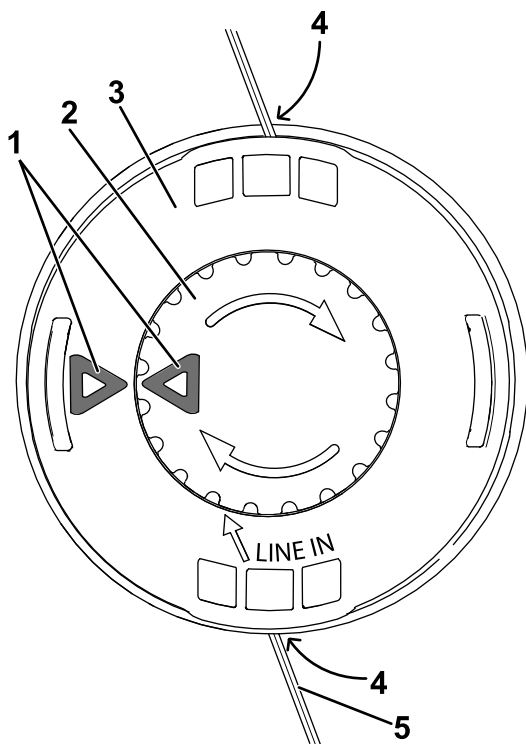
1. Retire la batería y limpie cualquier residuo del cabezal de la desbrozadora.
2. Retire cualquier hilo que quede en el carrete pulsando repetidas veces el botón de choque y tirando del hilo por igual en ambos lados de la desbrozadora.
3. Corte un trozo de hilo de acuerdo con las especificaciones siguientes.
 - Si utiliza hilo de 2 mm (0.080"), corte un trozo de hilo de 4.9 m (16') aproximadamente.
 - Si utiliza hilo torcido de 2.4 mm (0.095"), corte un trozo de hilo de 3 m (10') aproximadamente.

Importante: No utilice ningún otro tipo o grosor de hilo, y no use más de la longitud recomendada de hilo, porque podría dañar la desbrozadora.

4. Pulse y gire el pomo del cabezal hasta que la flecha del pomo esté alineada con la flecha del cabezal (Figura 12).
5. Introduzca un extremo del hilo de forma oblicua en el ojal marcado LINE IN (entrada hilo), y empuje el hilo por el canal de guía del cabezal hasta que salga por el ojal del otro lado. Tire del hilo hasta que sobresalga la misma longitud de hilo en cada lado del cabezal.

Importante: No desmonte el cabezal de la desbrozadora; la imagen muestra el cabezal desmontado para facilitar la comprensión.

6. Sujete el cabezal con una mano. Con la otra mano, gire el pomo en el sentido indicado por las flechas (sentido horario).
7. Enrolle el hilo, dejando que sobresalgan unos 102 mm (4") de cada ojal.



g330983

g330985

Figura 12

- 1. Flechas
- 2. Pomo
- 3. Cabezal

- 4. Ojal
- 5. Hilo
- 6. Canal de guía

Sustitución del cabezal de la desbrozadora

1. Retire la batería de la desbrozadora.
2. Introduzca una herramienta de pequeño diámetro (por ejemplo, un destornillador) a través de la carcasa del motor y en la ranura del ventilador para bloquear el cabezal de la desbrozadora para que no pueda girar libremente (Figura 13).

Nota: Con la herramienta insertada en el orificio, gire el cabezal de la desbrozadora hasta que note que la varilla caiga en la ranura.

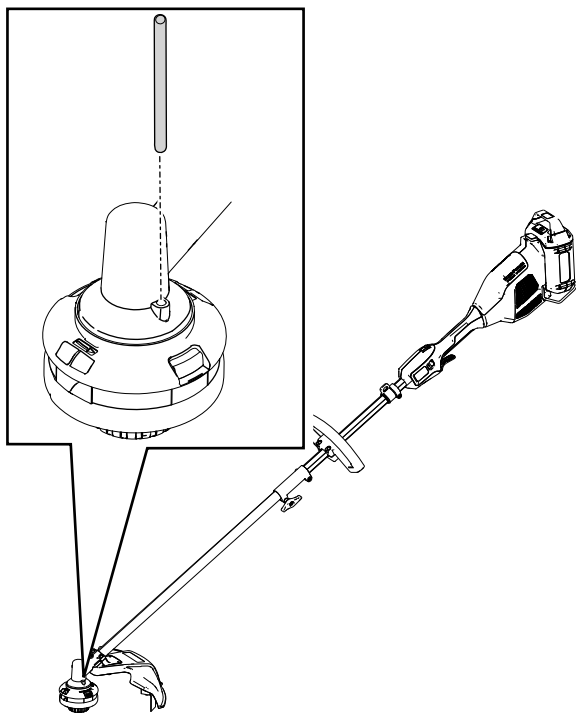


Figura 13

g572332

3. Con el cabezal de la desbrozadora inmovilizado por la herramienta, gire el cabezal de la desbrozadora en sentido antihorario para retirarla del espárrago roscado de la caja de engranajes (Figura 14).

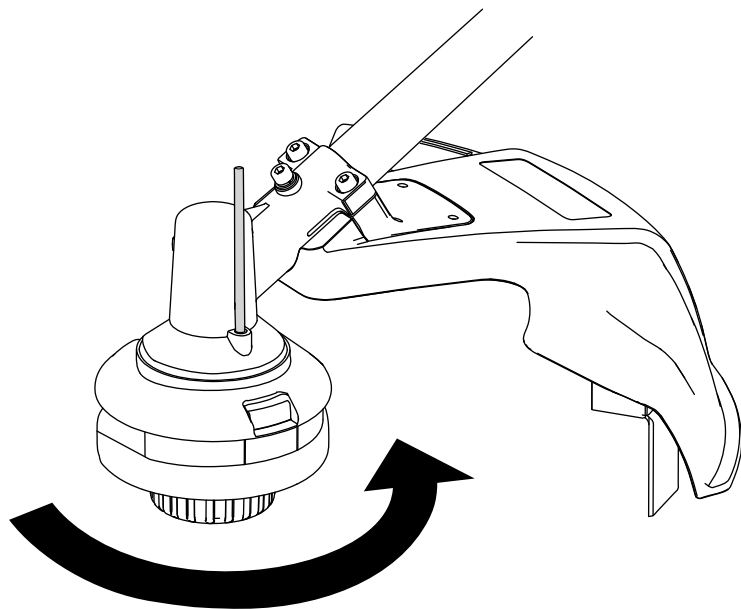


Figura 14

g572294

-
4. Para instalar el cabezal nuevo, gírelo en sentido horario sobre el espárrago de la caja de engranajes mientras sujeta el ventilador con una herramienta.

Lubricación de la caja de engranajes

Intervalo de mantenimiento: Cada 25 horas o cada mes, lo que ocurra primero

1. Apague la desbrozadora, retire la batería y limpie cualquier residuo del cabezal de la desbrozadora.
2. Coloque la desbrozadora con la caja de engranajes en posición vertical.
3. Retire el tapón del lateral de la desbrozadora (Figura 15).

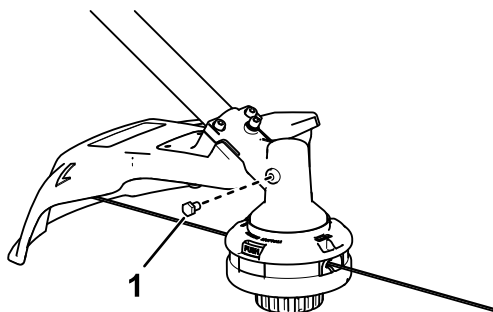


Figura 15

g524953

1. Tapón de la caja de engranajes

-
4. Aplique una pequeña cantidad de grasa a la caja de engranajes con una pistola de engrasar.

Nota: Utilice grasa de litio N.º 2.

5. Instale el tapón de la caja de engranajes.

Almacenamiento

Importante: Almacene la máquina, la batería y el cargador solo a temperaturas que estén dentro del intervalo apropiado; consulte [Especificaciones \(página 15\)](#).

Importante: Si va a almacenar la máquina durante un año o más, retire la batería de la máquina y cargue la batería hasta que 1 o 2 de los indicadores LED de la batería cambien a verde. No almacene la batería completamente cargada ni completamente descargada. Antes de volver a usar la máquina, cargue la batería hasta que se vuelva verde el indicador izquierdo del cargador, o hasta que los 4 indicadores LED de la batería se vuelvan verdes.

- Desconecte la máquina del suministro de energía (es decir, retire la batería) y compruebe si hay daños después del uso.
- Limpie cualquier material extraño del producto.
- No almacene la máquina o el cargador con la batería instalada.
- Cuando no se estén utilizando, almacene la máquina, la batería y el cargador de baterías fuera del alcance de los niños.
- Mantenga la máquina, la batería y el cargador de la batería alejados de agentes corrosivos como productos fitosanitarios de jardín o sal para deshielo.
- Para reducir el riesgo de lesiones personales graves, no almacene la batería en el exterior o en un vehículo.
- Guarde la máquina, la batería y el cargador en un lugar cerrado, limpio y seco.

Solución de problemas

Realice solo los pasos descritos en estas instrucciones. Cualquier otro trabajo de inspección, mantenimiento o reparación debe ser realizado por un Servicio Técnico Autorizado o por un especialista autorizado si no puede solucionar el problema usted mismo.

Retire siempre la batería de la herramienta antes de inspeccionar, limpiar, localizar averías o realizar mantenimiento de la herramienta.

Problema	Posible causa	Acción correctora
La herramienta no funciona, o no funciona de forma intermitente.	<ol style="list-style-type: none"><li data-bbox="386 423 675 526">1. La batería no está correctamente instalada en la herramienta.<li data-bbox="386 594 675 646">2. La batería no está cargada.<li data-bbox="386 654 675 781">3. La temperatura de la batería está por encima o por debajo del intervalo de temperatura adecuado.<li data-bbox="386 789 675 841">4. Hay humedad en los cables de la batería.<li data-bbox="386 873 675 899">5. La batería está dañada.<li data-bbox="386 907 675 984">6. Hay otro problema eléctrico con la herramienta.	<ol style="list-style-type: none"><li data-bbox="707 423 996 578">1. Retire y luego vuelva a colocar la batería en la herramienta, asegurándose de que está completamente instalada y bloqueada.<li data-bbox="707 594 996 646">2. Retire la batería de la herramienta y cárguela.<li data-bbox="707 654 996 781">3. Traslade la batería a un lugar seco cuya temperatura sea de entre 5 °C y 40 °C (41 °F y 104 °F).<li data-bbox="707 789 996 865">4. Deje que la batería se seque o séquela con un paño.<li data-bbox="707 873 996 899">5. Sustituya la batería.<li data-bbox="707 907 996 984">6. Póngase en contacto con el Servicio Técnico Autorizado.
La herramienta no alcanza su potencia completa o la caja de engranajes se calienta.	<ol style="list-style-type: none"><li data-bbox="386 1013 675 1065">1. La batería está casi descargada.<li data-bbox="386 1105 675 1182">2. Los orificios de ventilación están obstruidos.<li data-bbox="386 1190 675 1242">3. La cadena no se lubrica correctamente.	<ol style="list-style-type: none"><li data-bbox="707 1013 996 1089">1. Retire la batería de la herramienta y cargue la batería completamente.<li data-bbox="707 1105 996 1157">2. Limpie los orificios de ventilación.<li data-bbox="707 1190 996 1242">3. Lubricación de la caja de engranajes.

Problema	Posible causa	Acción correctora
La herramienta produce vibraciones o ruidos excesivos.	<ol style="list-style-type: none"> 1. La cadena no se lubrica correctamente. 2. Hay residuos debajo del deflector de hierba o en la carcasa del cabezal de choque de la desbrozadora. 3. El carrete no está bien enrollado. 	<ol style="list-style-type: none"> 1. Lubricación de la caja de engranajes. 2. Limpie cualquier residuo de debajo del deflector de hierba o de la carcasa del cabezal de choque. 3. Haga avanzar el hilo usando el cabezal de choque y/o retire el hilo del carrete y vuelva a enrollarlo en el carrete.
El cabezal de choque no avanza el hilo.	<ol style="list-style-type: none"> 1. La desbrozadora se ha quedado sin hilo. 2. El hilo se ha enredado en la carcasa del cabezal de choque. 3. Hay residuos debajo del deflector de hierba o en la carcasa del cabezal de choque de la desbrozadora. 	<ol style="list-style-type: none"> 1. Añada más hilo al cabezal de choque. 2. Retire la cubierta del cabezal de choque y el desenrede el hilo. 3. Limpie cualquier residuo de debajo del deflector de hierba o de la carcasa del cabezal de choque.
La batería se descarga rápidamente.	<ol style="list-style-type: none"> 1. La temperatura de la batería está por encima o por debajo del intervalo de temperatura adecuado. 2. La desbrozadora está sobrecargada. 	<ol style="list-style-type: none"> 1. Traslade la batería a un lugar seco cuya temperatura sea de entre 5 °C y 40 °C (41 °F y 104 °F). 2. Recorte a una velocidad más lenta.

Notas:

Información sobre las Advertencias de la Proposición 65 de California

¿Qué significa esta advertencia?

Puede ver un producto a la venta que lleva una etiqueta de advertencia como la siguiente:



ADVERTENCIA: Cáncer y daños reproductivos –
www.p65Warnings.ca.gov.

¿Qué es la Proposición 65?

La Proposición 65 afecta a cualquier empresa que tenga presencia en California, que venda productos en California, o que fabrique productos que podrían ser introducidos o vendidos en California. Esta ley exige que el Gobernador de California mantenga y publique una lista de sustancias químicas identificadas como causantes de cáncer, defectos de nacimiento y/u otros daños reproductivos. La lista, que se actualiza anualmente, incluye cientos de productos químicos que se encuentran en muchos artículos de uso diario. El propósito de la Proposición 65 es informar al público sobre la exposición a estos productos químicos.

La Proposición 65 no prohíbe la venta de productos que contengan estos productos químicos, sino que requiere la presencia de advertencias en el producto, el envase y la documentación suministrada con el producto. Además, una advertencia de la Proposición 65 no significa que el producto contravenga ninguna norma o requisito de seguridad. De hecho, el gobierno de California ha aclarado que una advertencia bajo la Proposición 65 "no es lo mismo que una decisión legal sobre la 'seguridad' o la 'inseguridad' de un producto". Muchos de estos productos químicos han sido utilizados durante años en productos de uso diario sin que se hayan producido daños documentados. Para obtener más información, visite <https://oag.ca.gov/prop65/faqs-view-all>.

Una advertencia de la Proposición 65 significa que una empresa (1) ha evaluado la exposición y ha concluido que supera el nivel de "sin riesgo significativo"; o (2) ha optado por proporcionar una advertencia basándose en sus conocimientos respecto a la presencia de un producto químico de los incluidos en la lista, sin intentar evaluar la exposición.

¿Esta ley es aplicable en todas partes?

Las advertencias de la Proposición 65 sólo son obligatorias bajo la legislación de California. Estas advertencias se ven por toda California en una gran variedad de entornos, incluyendo entre otros restaurantes, tiendas de alimentación, hoteles, escuelas y hospitales, y en una amplia variedad de productos. Además, algunos minoristas de Internet y de la venta por correo incluyen advertencias de la Proposición 65 en sus sitios web o en sus catálogos.

¿Qué diferencia hay entre las advertencias de California y los límites federales?

Las normas de la Proposición 65 son a menudo más exigentes que las normas federales o internacionales. Varias sustancias requieren una advertencia bajo la Proposición 65 a niveles muy inferiores a los límites federales. Por ejemplo, el nivel exigido por la Proposición 65 para las advertencias sobre el plomo es de 0.5 µg/día, que es muy inferior a lo que exigen las normas federales e internacionales.

¿Por qué no llevan la advertencia todos los productos similares?

- Los productos vendidos en California deben llevar etiquetas bajo la Proposición 65, mientras que otros productos similares que se venden en otros lugares no las necesitan.
- Una empresa puede estar obligada a incluir advertencias de Proposición 65 en sus productos como condición de un acuerdo tras un procedimiento legal relacionado con la Proposición 65, pero otras empresas que fabrican productos similares no tienen necesariamente la misma obligación.
- La aplicación de la Proposición 65 no es uniforme.
- Algunas empresas pueden optar por no proporcionar advertencias porque concluyen que no están obligadas a hacerlo bajo la Proposición 65; la falta de advertencias en un producto no significa que el producto esté libre de los productos químicos incluidos en la lista a niveles similares.

¿Por qué incluye Toro esta advertencia?

Toro ha optado por proporcionar a los consumidores la mayor cantidad posible de información para que puedan tomar decisiones informadas sobre los productos que compra y utiliza. Toro proporciona advertencias en ciertos casos basándose en sus conocimientos sobre la presencia de uno o más productos químicos de la lista, sin evaluar el nivel de exposición, puesto que la lista no incluye límites de exposición para todos los productos químicos que contiene. Aunque la exposición que provocan los productos Toro puede ser insignificante, o estar dentro de los límites de la categoría "sin riesgo significativo", Toro ha optado por proporcionar las advertencias de la Proposición 65 por simple precaución. Además, si Toro no proporcionara estas advertencias, podría ser demandada por el Estado de California o por particulares bajo la Proposición 65, y estar sujeta a importantes sanciones.

TORO[®]

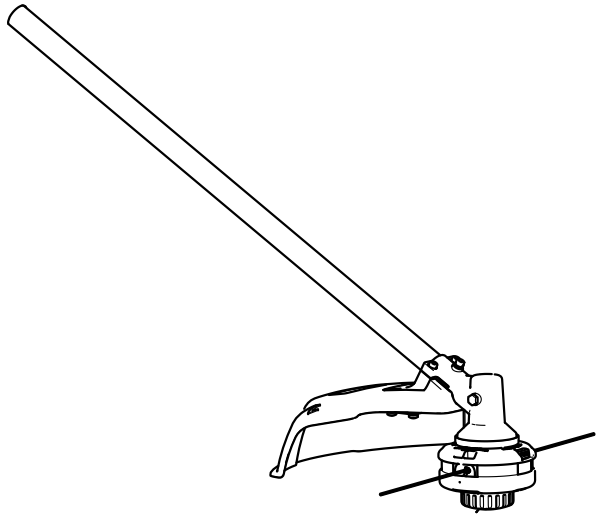
Count on it.

Manuel de l'utilisateur

**Débroussailleuse filaire
60 V MAX de 35 cm (14 po)
ou 41 cm (16 po)**

**Outil Flex-Force Power Sys-
tem[®] 60 V MAX**

N° de modèle 88716—N° de série 323000001 et
suivants



Enregistrez votre produit à
www.Toro.com.
Traduction du texte d'origine (FR)





Si vous avez besoin d'aide, visionnez les vidéos d'instruction sur www.Toro.com/support ou contactez votre dépositaire-réparateur agréé avant de renvoyer ce produit.

⚠ ATTENTION

CALIFORNIE

Proposition 65 - Avertissement

Le cordon d'alimentation de cette machine contient du plomb, une substance chimique considérée par l'état de Californie comme susceptible de provoquer des malformations congénitales et autres troubles de la reproduction. Lavez-vous les mains après avoir manipulé la batterie.

L'utilisation de ce produit peut entraîner une exposition à des substances chimiques considérées pas l'état de Californie comme capables de provoquer des cancers, des anomalies congénitales ou d'autres troubles de la reproduction.

Introduction

Cette débroussailleuse est destinée au grand public, et permet de couper l'herbe en extérieur, selon les besoins. Elle ne doit être utilisée que par des personnes adultes. Il est conçu pour être utilisé en association avec la tête motrice modèle 51810T compatible avec les accessoires Flex-Force Power System® 60 V MAX. L'utilisation de ce produit à d'autres fins que celle prévue peut être dangereuse pour vous-même et toute personne à proximité.

© 2026—The Toro®
Company
8111 Lyndale Avenue
South
Bloomington, MN
55420

Enregistrez
votre produit à
www.Toro.com.

Traduction du texte
d'origine (FR)
Imprimé en Chine
Tous droits réservés



Lisez attentivement cette notice pour apprendre comment utiliser et entretenir correctement votre produit, et éviter ainsi de l'endommager ou de vous blesser. Vous êtes responsable de l'utilisation sûre et correcte du produit.

Rendez-vous sur www.Toro.com pour tout document de formation à la sécurité et à l'utilisation des produits, pour tout renseignement concernant un produit ou un accessoire, pour obtenir l'adresse des dépositaires ou pour enregistrer votre produit.

Pour obtenir des prestations de service, des pièces d'origine ou des renseignements complémentaires, munissez-vous des numéros de modèle et de série du produit et contactez un dépositaire-réparateur agréé ou le service client du constructeur. La [Figure 1](#) indique l'emplacement des numéros de modèle et de série du produit. Inscrivez les numéros dans l'espace réservé à cet effet.

Important: Avec votre appareil mobile, vous pouvez scanner le code QR sur l'autocollant du numéro de série (le cas échéant) pour accéder à l'information sur la garantie, les pièces et autres renseignements concernant le produit.

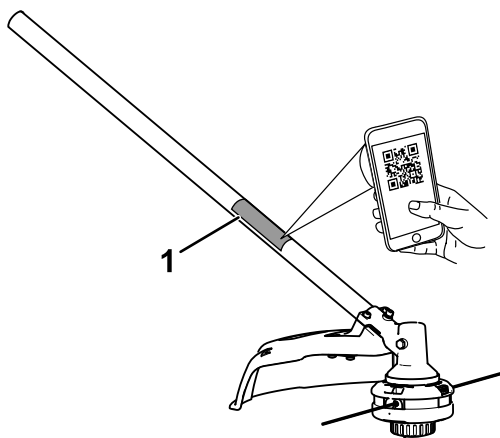


Figure 1

g426370

1. Emplacement des numéros de modèle et de série

N° de modèle _____
N° de série _____

Symbole de sécurité

Le symbole de sécurité (Figure 2) utilisé dans ce manuel et sur la machine identifie d'importants messages de sécurité dont vous devez tenir compte pour éviter des accidents.



Figure 2

Symbole de sécurité

g000502

Le symbole de sécurité apparaît au-dessus de toute information signalant des actions ou des situations dangereuses. Il est suivi de la mention **DANGER, ATTENTION** ou **PRUDENCE**.

DANGER signale un danger immédiat qui, s'il n'est pas évité, **entraînera obligatoirement** des blessures graves ou mortelles.

ATTENTION signale un danger potentiel qui, s'il n'est pas évité, **risque d'entraîner** des blessures graves ou mortelles.

PRUDENCE signale un danger potentiel qui, s'il n'est pas évité, **peut éventuellement entraîner** des blessures légères ou modérées.

Ce manuel utilise également deux autres termes pour faire passer des renseignements essentiels. **Important** pour attirer l'attention sur une information d'ordre mécanique spécifique, et **Remarque** pour souligner une information d'ordre général méritant une attention particulière.

La tête motrice modèle 51810T est compatible avec divers accessoires agréés par Toro et est conforme à des normes spécifiques en combinaison avec ces accessoires; voir le tableau suivant pour plus de précisions.

Combinaison	Modèle de tête motrice	Modèle d'accessoire	Norme
Débroussailluse à fil	51810T	88716	Conforme à UL STD 82 Certifié conforme à CSA STD C22.2 No. 147
Coupe-bordures	51810T	88710	Conforme à UL STD 82 Certifié conforme à CSA STD C22.2 No. 147
Élagueuse sur perche	51810T	88714	Conforme à UL STD 82 Certifié conforme à CSA STD C22.2 No. 147
Cultivateur	51810T	88715	Conforme à UL STD 82 Certifié conforme à CSA STD C22.2 No. 147
Taille-haies	51810T	88713	Conforme à UL STD 62841-4-2 Certifié conforme à CSA STD C22.2 62841-4-2

Sécurité

IMPORTANTES CONSIGNES DE SÉCURITÉ

▲ ATTENTION

Quand vous utilisez des outils de jardinage électriques, lisez et respectez toujours les mises en garde et consignes de sécurité élémentaires afin de réduire les risques d'incendie, de choc électrique et de blessure, notamment :

Lire toutes les instructions

I. Formation à l'utilisation

1. L'utilisateur de l'outil est responsable des accidents et dommages causés aux autres personnes et à leurs biens.
2. N'autorisez pas les enfants à utiliser ou jouer avec l'outil, la batterie ou le chargeur de batterie; certaines législations imposent un âge minimum pour les utilisateurs.
3. Ne confiez pas l'utilisation ou l'entretien de cet appareil à des enfants ou à des personnes non compétentes. Seules les personnes responsables, formées à l'utilisation de l'appareil, ayant lu et compris les instructions et physiquement aptes sont autorisées à utiliser l'appareil ou à en faire l'entretien.
4. Avant d'utiliser l'outil, la batterie et le chargeur de batterie, lisez toutes les instructions et mises en garde qui figurent dessus.
5. Familiarisez-vous avec les commandes et le maniement correct de l'outil, de la batterie et du chargeur de batterie.

II. Avant l'utilisation

1. N'admettez personne, notamment les enfants, dans le périmètre de travail.
2. Utilisez uniquement la batterie spécifiée par Toro. L'utilisation d'autres accessoires et outils peut accroître le risque de blessure et d'incendie.
3. Vous pouvez causer un incendie ou un choc électrique si vous branchez le chargeur de batterie à une prise qui n'est pas de 120 V. Ne branchez pas le chargeur de batterie à une prise autre que 120 V. Pour un autre mode de connexion, vous pouvez, au besoin, utiliser un adaptateur configuré correctement pour la prise.

4. N'utilisez pas la batterie ou le chargeur de batterie s'ils sont endommagés ou modifiés, car ils pourraient se comporter de manière imprévisible et causer un incendie, une explosion ou des blessures.
5. Si le cordon d'alimentation relié au chargeur de batterie est endommagé, contactez un dépositaire-réparateur agréé pour le faire remplacer.
6. Chargez la batterie uniquement avec le chargeur spécifié par Toro. Un chargeur convenant à un certain type de batterie peut créer un risque d'incendie s'il est utilisé avec une autre batterie.
7. Ne chargez la batterie que dans un endroit bien aéré.
8. Suivez toutes les instructions de charge et ne chargez pas la batterie hors de la plage de température spécifiée dans les instructions. Vous risquez sinon d'endommager la batterie et d'accroître le risque d'incendie.
9. N'utilisez pas l'outil s'il manque des capots ou d'autres dispositifs de protection, ou s'ils sont défectueux.
10. Portez une tenue adéquate – portez une tenue appropriée, y compris une protection oculaire, un pantalon, des chaussures solides à semelle antidérapante, des gants de caoutchouc et des protecteurs d'oreilles. Si vos cheveux sont longs, attachez-les et ne portez pas de vêtements amples ou de bijoux pendants qui pourraient se prendre dans les pièces mobiles. Portez un masque antipoussière si l'atmosphère est poussiéreuse.

III. Utilisation

1. Évitez les environnements dangereux – n'utilisez pas l'outil sous la pluie ou dans des endroits humides ou détremvés.
2. Utilisez l'outil correct pour la tâche à accomplir – l'utilisation de l'outil à d'autres fins que celle prévue peut être dangereuse pour vous-même et pour toute personne à proximité.
3. Évitez tout démarrage accidentel – assurez-vous que l'interrupteur est en position ARRÊT avant de brancher la batterie et de manipuler l'outil. Ne gardez pas le doigt sur l'interrupteur quand vous transportez l'outil et ne mettez pas l'outil sous tension quand l'interrupteur est en position MARCHÉ.
4. Utilisez l'outil uniquement à la lumière du jour ou sous un bon éclairage artificiel.
5. Si l'outil heurte un obstacle ou se met à vibrer, arrêtez-le immédiatement, attendez l'arrêt complet de toutes les pièces mobiles, débranchez la batterie avant de vérifier si l'outil est endommagé. Effectuez toutes les réparations nécessaires avant de remettre l'outil en service.
6. Retirez la batterie de l'outil avant de le régler ou de changer d'accessoire.
7. N'approchez jamais les mains ou les pieds de la zone de coupe et des pièces mobiles.
8. Arrêtez l'outil, retirez la batterie et attendez l'arrêt de tout mouvement avant de régler, réviser, nettoyer ou ranger l'outil.
9. Retirez la batterie de l'outil chaque fois que vous le laissez sans surveillance.
10. Ne faites pas forcer l'outil – Vous obtiendrez des performances supérieures et plus sûres si vous l'utilisez à la vitesse pour laquelle elle est prévue.
11. Ne travaillez pas trop loin devant vous – gardez toujours les pieds solidement ancrés au sol et maintenez votre équilibre, en particulier sur les terrains en pente. Avancez toujours à une allure normale avec l'outil, ne courez pas.
12. Restez alerte – concentrez-vous sur votre tâche et faites preuve de bon sens lorsque vous utilisez l'outil. N'utilisez pas l'outil si vous êtes malade ou fatigué(e), ni sous l'emprise de l'alcool, de drogues ou de médicaments.
13. Vérifiez toujours que les prises d'air sont dégagées.

14. Dans des conditions d'utilisation abusive, du liquide peut jaillir hors de la batterie; évitez tout contact. En cas de contact accidentel avec le liquide, rincez à l'eau. En cas de contact du liquide avec les yeux, consultez un médecin. Le liquide éjecté de la batterie peut causer des irritations ou des brûlures.
15. N'exposez pas les batteries ou les outils au feu ou à une température excessive. L'exposition au feu ou à une température supérieure à 130 °C (265 °F) peut provoquer une explosion.
16. PRUDENCE – la batterie peut présenter un risque d'incendie, d'explosion ou de brûlure chimique en cas de mauvais traitement.
 - Ne démontez pas la batterie.
 - Remplacez toujours la batterie par une batterie Toro d'origine; l'utilisation de tout autre type de batterie peut entraîner un incendie ou des blessures.
 - Conservez les batteries hors de la portée des enfants et dans leur emballage d'origine jusqu'au dernier moment avant de les utiliser.

IV. Entretien et remisage

1. Entretenez bien l'outil – gardez-le propre et en bon état pour assurer des performances optimales et réduire les risques de blessure. Suivez les instructions de graissage et de remplacement des accessoires. Gardez les poignées propres et sèches, et exemptes d'huile et de graisse.
2. Lorsque la batterie ne sert pas, rangez-la à l'écart d'objets métalliques tels que trombones, pièces de monnaie, clés, clous et vis qui pourraient relier les bornes entre elles. Un court-circuit aux bornes de la batterie peut causer des brûlures ou un incendie.
3. N'approchez jamais les mains ou les pieds des pièces mobiles.
4. Arrêtez l'outil, retirez la batterie et attendez l'arrêt de tout mouvement avant de régler, réviser, nettoyer ou ranger l'outil.
5. Vérifiez si des pièces de l'outil sont endommagées – si vous constatez que des capots, ou d'autres pièces, sont endommagés, déterminez si cela gênera le bon fonctionnement de l'outil. Vérifiez qu'aucune pièce mobile n'est mal alignée ou grippée, et qu'aucune pièce n'est cassée, mal fixée ou présente tout autre défaut susceptible d'en affecter le fonctionnement. Sauf indication contraire dans les instructions, faites réparer ou remplacer les protections ou les pièces endommagées par un dépositaire-réparateur agréé.
6. Ne remplacez pas les dispositifs de coupe non métalliques existants de l'outil par des équivalents en métal.
7. Respectez toujours les instructions pour réviser ou réparer l'outil, la batterie ou le chargeur de batterie. Pour assurer l'entretien sécuritaire du produit, ne le confiez qu'à un dépositaire-réparateur agréé utilisant exclusivement des pièces de rechange identiques.
8. Lorsque l'outil ne sert pas, rangez-le dans un local sec, sécurisé et hors de la portée des enfants.
9. Ne jetez pas la batterie au feu. L'élément pourrait exploser. Vérifiez si la réglementation locale impose des procédures de mise au rebut spéciales.

CONSERVEZ CES INSTRUCTIONS

Autocollants de sécurité et d'instruction



Des autocollants de sécurité et des instructions bien visibles par l'opérateur sont placés près de tous les endroits potentiellement dangereux. Remplacez tout autocollant endommagé ou manquant.



139-5346

decal139-5210



139-5210

decal139-5210

1. Attention – lisez le *Manuel de l'utilisateur*; n'approchez pas des pièces en mouvement; laissez toutes les protections en place; protégez-vous les yeux; n'utilisez pas l'appareil par temps humide.

Mise en service

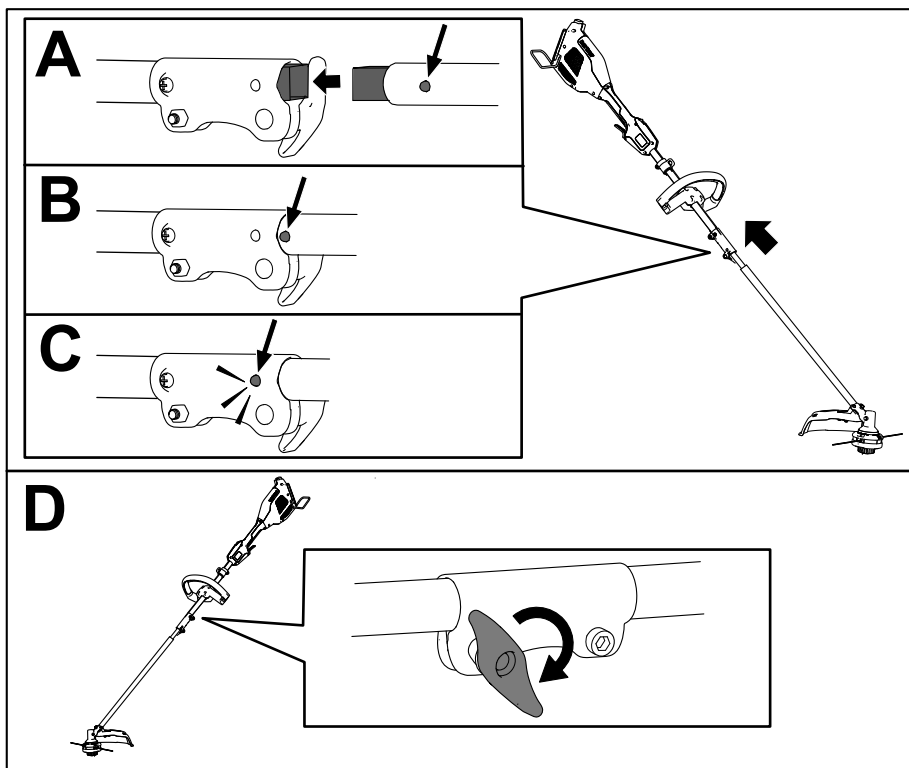
1

Connexion de l'accessoire à la tête motrice

Aucune pièce requise

Procédure

1. Insérez l'arbre carré de l'accessoire dans l'arbre carré de la tête motrice (A de [Figure 3](#)).
2. Placez le bouton de verrouillage situé sur la moitié inférieure du manche en face du trou situé sur la moitié supérieure, et emboîtez-les 2 moitiés ensemble (B et C de la [Figure 3](#)).
3. Le bouton de verrouillage s'enclenche dans le trou quand les deux moitiés du manche sont correctement emboîtées (C de la [Figure 3](#)).
4. À l'aide de la poignée, serrez la vis sur le connecteur du manche jusqu'à ce qu'il soit bien fixé (D de la [Figure 3](#)).



g524929

Figure 3

2

Montage du déflecteur

Pièces nécessaires pour cette opération:

1	Défecteur
4	Rondelle
4	Boulon

Procédure

1. Placez le déflecteur de la débroussailleuse sous le support, comme montré à la [Figure 4](#).

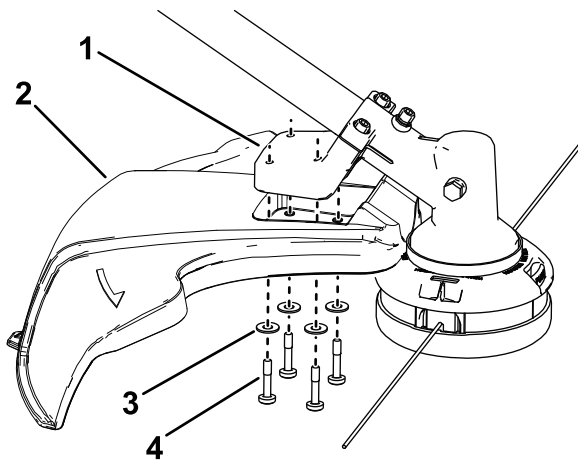


Figure 4

g333216

1. Support de déflecteur
2. Défecteur de débroussailleuse
3. Rondelle
4. Boulon

2. Fixez le déflecteur sur la débroussailleuse à l'aide des 4 rondelles et des 4 boulons, comme montré à la [Figure 4](#).

Vue d'ensemble du produit

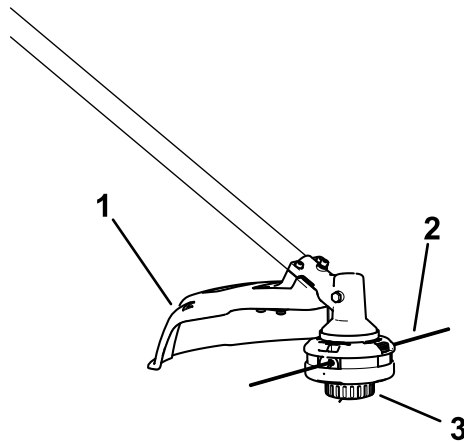


Figure 5

g372306

1. Déflecteur
2. Fil
3. Bouton de déclenchement

Caractéristiques techniques

Modèle	88716, se monte sur 51810T
Type de chargeur	Chargeurs de batteries lithium-ion Flex-Force de 60 V
Type de batterie	Batteries lithium-ion Flex-Force 60 V

Plages de température adéquates

Charger/ranger la batterie entre	5 °C (41 °F) et 40 °C (104 °F)*
Utiliser la batterie entre	-30 °C (-22 °F) et 49 °C (120 °F)
Utiliser la débroussailleuse entre	0 °C (32 °F) et 49 °C (120 °F)
Ranger la débroussailleuse entre	0 °C (32 °F) et 49 °C (120 °F)*

*Le temps de charge sera plus long en dehors de cette plage de température.

Rangez l'outil, la batterie et le chargeur dans un lieu fermé, propre et sec.

Accessoires/outils

Une sélection d'outils et d'accessoires agréés par Toro est disponible pour augmenter et améliorer les capacités de l'appareil. Pour obtenir la liste de tous les accessoires et outils agréés, contactez votre dépositaire-réparateur ou votre distributeur Toro agréé, ou rendez-vous sur le site www.Toro.com.

Pour garantir un rendement optimal et conserver la certification de sécurité de la machine, utilisez uniquement des pièces de rechange et accessoires Toro d'origine. Les pièces de rechange et accessoires d'autres constructeurs peuvent être dangereux.

Utilisation

Démarrage de l'accessoire

1. Vérifiez que les événements de l'accessoire, la tête motrice et la batterie sont exempts de poussière et de débris.
2. Alignez le creux de la batterie sur la languette du corps de la poignée ([Figure 6](#)).

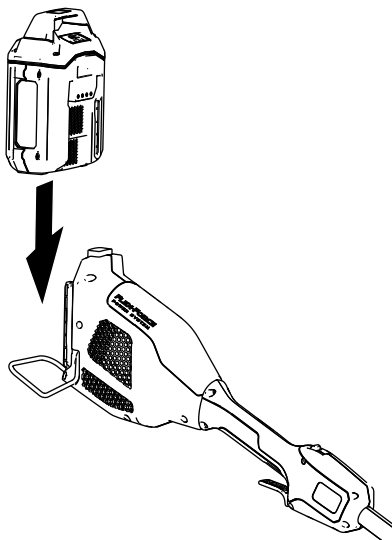


Figure 6

g357444

3. Poussez la batterie dans la poignée jusqu'à ce qu'elle s'enclenche dans le verrou.

4. Pour mettre l'accessoire en marche, appuyez sur le bouton de verrouillage, puis serrez la gâchette de marche (Figure 7).

Remarque: Faites coulisser le commutateur 2 vitesses pour modifier la vitesse de l'outil.

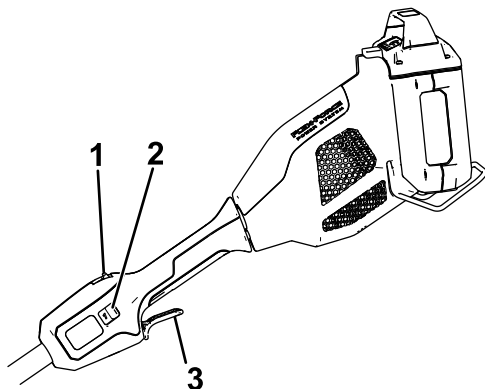


Figure 7

g357456

1. Bouton de verrouillage
2. Commutateur 2 vitesses
3. Gâchette de marche

Arrêt de la débroussailleuse

Pour arrêter la débroussailleuse, relâchez la gâchette.

Chaque fois que vous cessez d'utiliser la débroussailleuse ou que vous la transportez vers ou de la zone de travail, enlevez la batterie.

Retrait de la batterie de la tête motrice

Appuyez sur le verrou de batterie sur la machine afin de débloquer la batterie, et faites glisser cette dernière hors de la machine (Figure 8).

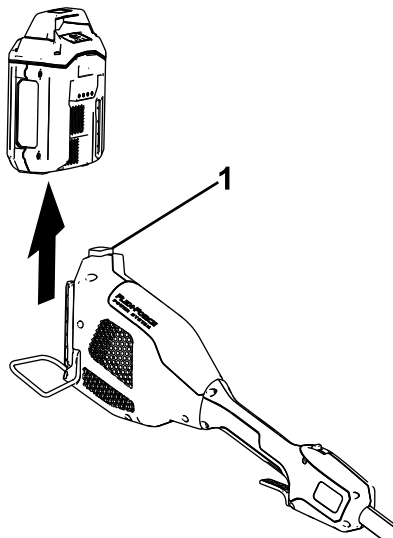


Figure 8

g357457

1. Verrou de batterie

Dépose de l'accessoire de la tête motrice

1. Veillez à retirer la batterie de la tête motrice; voir [Retrait de la batterie de la tête motrice \(page 18\)](#).
2. Desserrez la poignée de vis sur le connecteur de l'arbre ([Figure 3](#)).
3. Appuyez sur le bouton de verrouillage tout en séparant les 2 arbres ([Figure 3](#)).

Avance automatique du fil (frappe sur le sol)

1. Faites fonctionner la débroussailleuse à plein régime.
2. Tapez le bouton de déclenchement sur le sol pour faire avancer le fil. Le fil avance chaque fois que vous frappez le bouton sur le sol. Ne maintenez pas le bouton de déclenchement en appui sur le sol.

Remarque: La lame de coupe du fil, située sous le déflecteur, coupe le fil à la longueur voulue.

Remarque: Si le fil est usé au point d'être trop court, il se peut que vous ne puissiez pas le faire avancer par choc sur le sol. Dans ce cas, relâchez la gâchette et reportez-vous à la section [Avance manuelle du fil \(page 19\)](#).

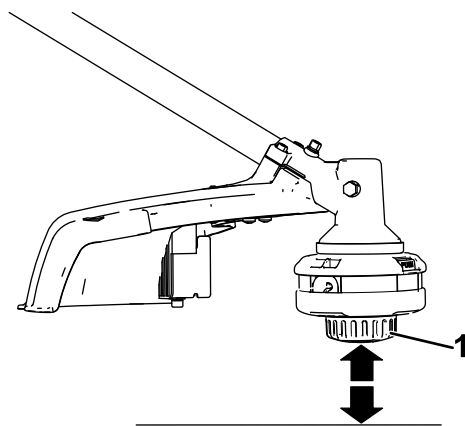


Figure 9

g331007

1. Bouton de déclenchement

Avance manuelle du fil

Retirez la batterie de la débroussailleuse, puis appuyez sur le bouton d'avancement à la base du chapeau de fixation de la bobine tout en tirant le fil à la main pour le faire sortir.

Réglage de la largeur de coupe

La débroussailleuse est réglée à l'usine pour offrir une largeur de coupe de 36,6 cm (14 po), comme montré en A de la [Figure 10](#). Reportez-vous aux instructions suivantes pour régler la largeur de coupe à 40,6 cm (16 po), comme montré en D de la [Figure 10](#).

1. Déposez l'équerre de réglage au fond du déflecteur en retirant les 2 vis de fixation à l'aide de la clé Allen fournie (B de la [Figure 10](#)) et tournez l'équerre de 180°.
2. Remettez ensuite les 2 vis retirées précédemment (C de la [Figure 10](#)).

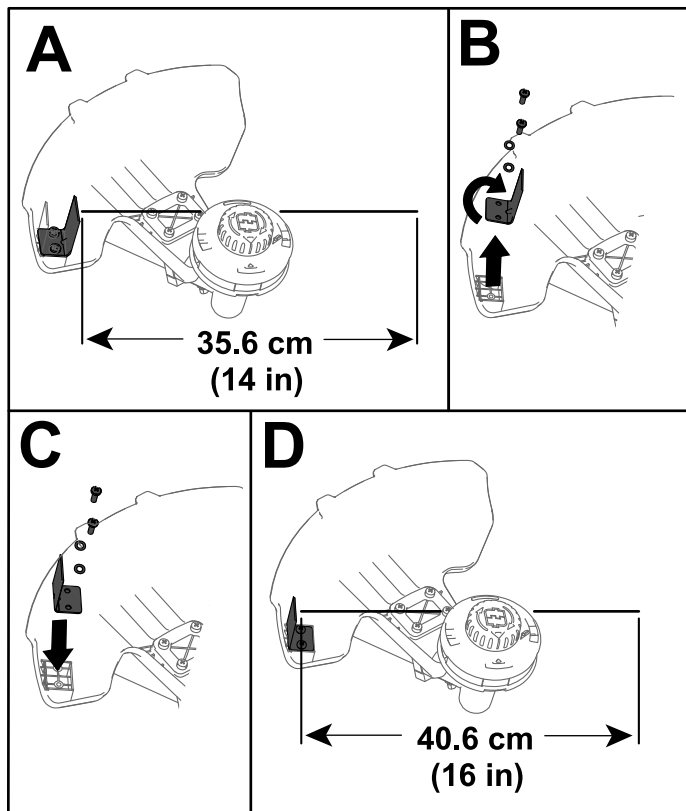


Figure 10

g524941

Conseils d'utilisation

- Gardez la débroussailleuse inclinée vers la zone à couper, la meilleure zone de coupe.
- Pour couper, déplacez la débroussailleuse de droite à gauche. Cela évite la projection de débris dans votre direction.
- Utilisez l'extrémité du fil pour couper; ne forcez pas la tête de coupe dans l'herbe non coupée.
- Les câbles et clôtures peuvent accélérer l'usure du fil, voire même le casser. Les murs en pierre et en briques, les trottoirs et le bois peuvent également causer l'usure rapide du fil.
- Évitez de vous approcher des arbres et des buissons. Le fil peut facilement endommager l'écorce des arbres, les moulures en bois, les parements et les piquets.

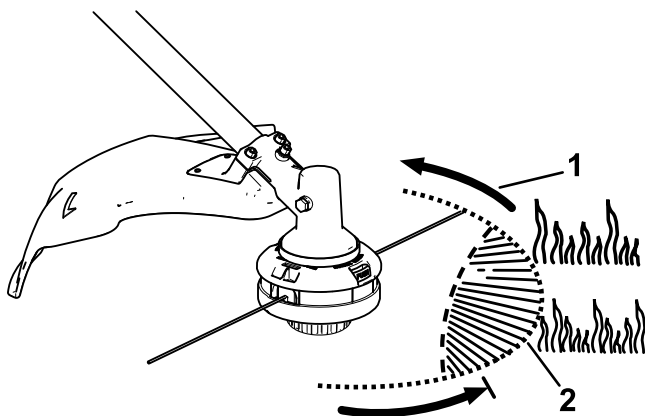


Figure 11

1. Sens de rotation

2. Trajet du fil

g330996

Entretien

Après chaque utilisation de la débroussailleuse, suivez les procédures ci-après :

1. Retirez la batterie de la tête motrice
2. Essuyez la débroussailleuse avec un chiffon humide. Ne lavez pas la débroussailleuse au jet d'eau et ne la trempez pas dans l'eau.

PRUDENCE

La lame de coupe du fil sur le déflecteur est tranchante et peut vous couper.

Ne nettoyez pas le déflecteur et la lame avec les mains.

3. Essuyez ou raclez la tête de coupe si des débris se sont accumulés dessus.
4. Contrôlez et resserrez toutes les fixations. Réparez ou remplacez les pièces éventuellement endommagées ou manquantes.
5. Enlevez à la brosse les débris accumulés sur les prises d'air et l'échappement du carter du moteur pour empêcher le moteur de surchauffer.

Remplacement du fil

Important: Utilisez uniquement du fil monofilament de 2 mm (0,08 po) de diamètre (réf. pièce 88611) ou du fil monofilament torsadé de 2,4 mm (0,095 po) de diamètre (réf. pièce 88202).

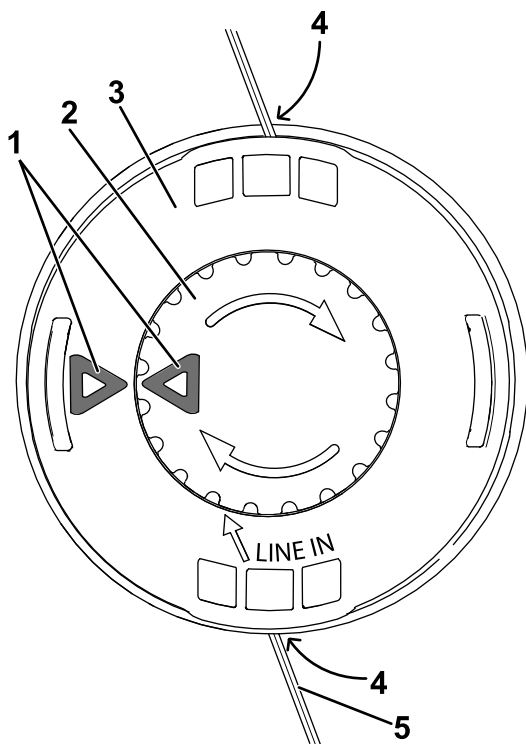
1. Retirez la batterie et nettoyez les débris éventuellement présents sur la tête de coupe.
2. Enlevez le fil restant dans la bobine en appuyant à plusieurs reprises sur le bouton de déclenchement tout en faisant sortir la même longueur de fil de chaque côté de la débroussailleuse.
3. Coupez une longueur de fil en observant les spécifications suivantes.
 - Si vous utilisez du fil de 2 mm (0,08 po) de diamètre, coupez une longueur de fil d'environ 4,9 m (16 pi).
 - Si vous utilisez du fil de 2,4 mm (0,095 po) de diamètre, coupez une longueur de fil d'environ 3 m (10 pi).

Important: N'utilisez jamais un fil de diamètre ou de type différent, ou excédant la longueur recommandée, au risque d'endommager la débroussailleuse.

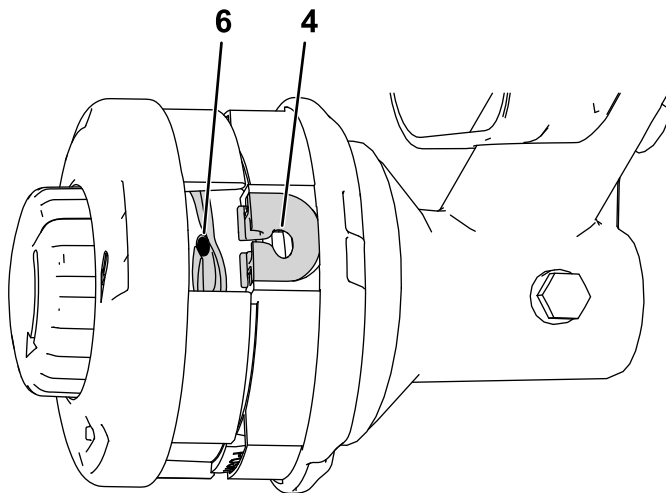
4. Enfoncez et tournez le bouton sur la tête de coupe jusqu'à ce que la flèche du bouton soit en face de la flèche de la bobine (Figure 12).
5. Insérez une extrémité du fil obliquement dans l'œillet d'ENTRÉE et poussez le fil dans le passage de la tête de coupe jusqu'à ce qu'il ressorte par l'œillet de l'autre côté. Tirez le fil dans la tête de coupe jusqu'à ce que la même longueur de fil dépasse de chaque côté à l'extérieur.

Important: Ne démontez pas la tête de coupe; la vue démontée est représentée pour plus de clarté.

6. Maintenez la tête de coupe en place d'une main. De l'autre main, tournez le bouton dans la direction indiquée par les flèches (sens horaire).
7. Enroulez le fil en laissant dépasser environ 102 mm (4 po) à l'extérieur de l'œillet de chaque côté.



g330983



g330985

Figure 12

- 1. Flèches
- 2. Bouton
- 3. Tête de coupe

- 4. Cœillet
- 5. Fil
- 6. Passage

Remplacements de la tête de coupe

1. Retirez la batterie de la débroussailleuse
2. Insérez un outil de petit diamètre (comme un tournevis) dans le boîtier du moteur et dans la rainure du ventilateur pour immobiliser la tête de coupe et l'empêcher de tourner toute seule (Figure 13).

Remarque: Une fois l'outil inséré dans le trou, tournez la tête de coupe jusqu'à ce que vous sentiez la tige tomber dans la rainure.

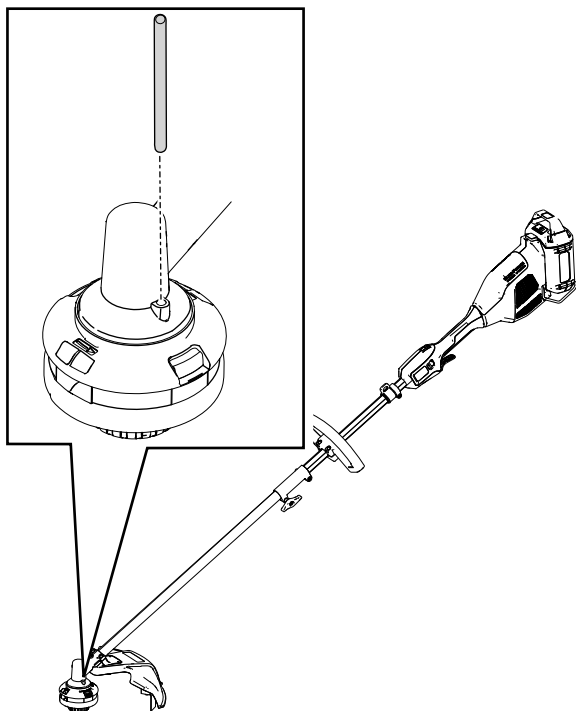


Figure 13

g572332

3. Une fois la tête de coupe fixée en place par la tige, tournez-la dans le sens antihoraire pour la retirer du montant fileté du boîtier (Figure 14).

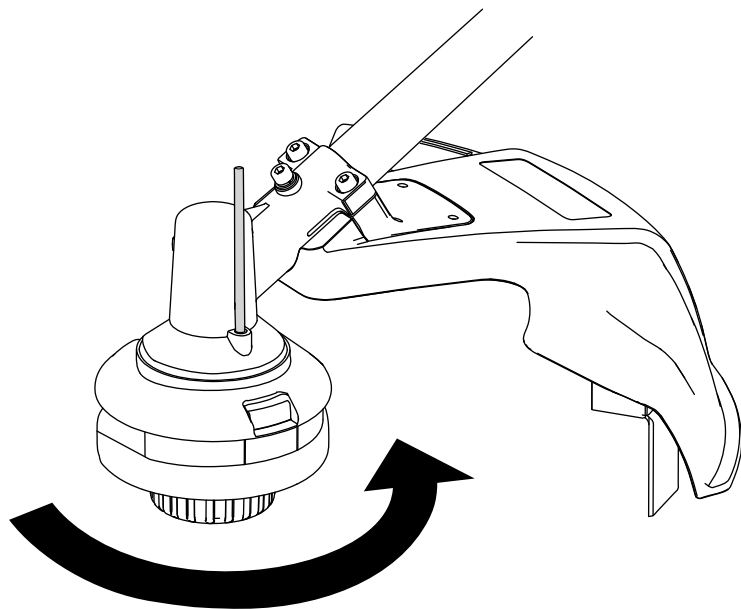


Figure 14

g572294

-
4. Pour installer la nouvelle tête de coupe, tournez-la dans le sens horaire sur le montant du boîtier tout en fixant le ventilateur avec un outil.

Graissage du boîtier d'engrenages

Périodicité des entretiens: Toutes les 25 heures ou tous les mois, la première échéance prévalant

1. Arrêtez la débroussailleuse, retirez la batterie et nettoyez les débris éventuellement présents sur la tête de coupe.
2. Placez la débroussailleuse de telle sorte que le boîtier d'engrenages soit à la verticale.
3. Retirez le bouchon sur le côté de la débroussailleuse (Figure 15).

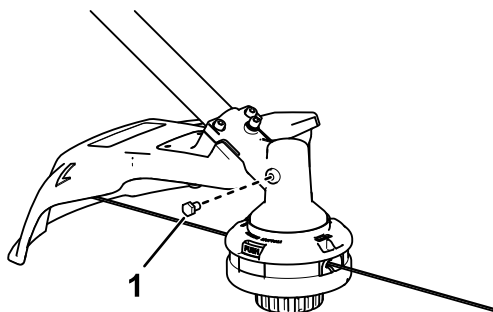


Figure 15

g524953

1. Bouchon du boîtier d'engrenages

-
4. Injectez une petite quantité de graisse dans le boîtier d'engrenages avec un pistolet de graissage.

Remarque: Utilisez de la graisse au lithium n° 2.

5. Remettez le bouchon sur le boîtier d'engrenages.

Remisage

Important: Remisez la machine, la batterie et le chargeur uniquement à des températures comprises dans la plage adéquate; voir [Caractéristiques techniques \(page 15\)](#).

Important: Si vous remisez la machine pendant un an ou plus, retirez la batterie et chargez-la jusqu'à ce que 1 ou 2 de ses DEL deviennent vertes. Ne remisez pas une batterie complètement chargée ou complètement déchargée. Avant de remettre la machine en service, chargez la batterie jusqu'à ce que la DEL gauche du chargeur devienne verte ou que les 4 DEL de la batterie deviennent vertes.

- Débranchez la machine de l'alimentation (autrement dit, retirez la batterie) et recherchez tout dommage éventuel après utilisation.
- Débarrassez la machine de tout corps étranger.
- Ne remisez pas la machine ou le chargeur en laissant la batterie dessus.
- Lorsqu'ils ne servent pas, rangez la machine, la batterie et le chargeur de batterie hors de la portée des enfants.
- Gardez la machine, la batterie et le chargeur à l'écart des agents corrosifs, tels les produits chimiques de jardinage et les sels de dégivrage.
- Pour réduire les risques de blessures graves, ne rangez pas la batterie à l'extérieur ou dans un véhicule.
- Rangez la machine, la batterie et le chargeur dans un local fermé, propre et sec.

Dépistage des défauts

Effectuez uniquement les opérations décrites dans cette notice. Tout autre contrôle, entretien ou réparation doit être réalisé par un centre d'entretien agréé ou un spécialiste qualifié si vous n'arrivez pas à résoudre le problème vous-même.

Retirez toujours la batterie avant de dépanner, de contrôler, de nettoyer ou de faire l'entretien de l'outil.

Problème	Cause possible	Mesure corrective
L'outil ne fonctionne pas ou fonctionne par intermittence.	<ol style="list-style-type: none">1. La batterie n'est pas complètement installée dans l'outil.2. La batterie n'est pas chargée.3. La température de la batterie est supérieure ou inférieure à la plage de température adéquate.4. Il y a de l'humidité sur les fils de la batterie.5. La batterie est endommagée.6. L'outil a un problème de nature électrique.	<ol style="list-style-type: none">1. Retirez et remettez la batterie en place dans l'outil, en vérifiant qu'elle est complètement insérée et enclenchée.2. Retirez la batterie de l'outil et chargez-la.3. Placez la batterie dans un endroit sec, où la température est comprise entre 5 °C (41 °F) et 40 °C (104 °F).4. Laissez sécher ou essuyez la batterie.5. Remplacez la batterie.6. Contactez un dépositaire-réparateur agréé.
L'outil n'atteint pas sa pleine puissance ou le boîtier d'engrenages chauffe.	<ol style="list-style-type: none">1. La capacité de charge de la batterie est trop faible.2. Les prises d'air sont obstruées.3. Le boîtier d'engrenages n'est pas graissé correctement.	<ol style="list-style-type: none">1. Retirez la batterie de l'outil et chargez-la complètement.2. Nettoyez les prises d'air.3. Graissage du boîtier d'engrenages.

Problème	Cause possible	Mesure corrective
L'outil produit des vibrations ou des bruits excessifs.	<ol style="list-style-type: none"> 1. Le boîtier d'engrenages n'est pas graissé correctement. 2. Des débris sont agglomérés sous le déflecteur d'herbe ou dans le carter de la tête d'avancement. 3. La bobine n'est pas correctement enroulée. 	<ol style="list-style-type: none"> 1. Graissage du boîtier d'engrenages. 2. Enlevez les débris sous le déflecteur d'herbe ou dans le carter de la tête d'avancement. 3. Faites avancer le fil avec la tête d'avancement et/ou retirez le fil de la bobine et enroulez de nouveau la bobine.
La tête d'avancement ne fait pas avancer le fil.	<ol style="list-style-type: none"> 1. La débroussailleuse n'a plus de fil. 2. Le fil est emmêlé dans le carter de la tête d'avancement. 3. Des débris sont agglomérés sous le déflecteur d'herbe ou dans le carter de la tête d'avancement. 	<ol style="list-style-type: none"> 1. Ajoutez du fil sur la tête de coupe. 2. Retirez le couvercle de la tête d'avancement et démêlez le fil. 3. Enlevez les débris sous le déflecteur d'herbe ou dans le carter de la tête d'avancement.
La batterie se décharge rapidement.	<ol style="list-style-type: none"> 1. La température de la batterie est supérieure ou inférieure à la plage de température adéquate. 2. La débroussailleuse est surchargée. 	<ol style="list-style-type: none"> 1. Placez la batterie dans un endroit sec, où la température est comprise entre 5 °C (41 °F) et 40 °C (104 °F). 2. Travaillez plus lentement.

Remarques:

Proposition 65 de Californie – Information concernant cet avertissement

En quoi consiste cet avertissement?

Certains produits commercialisés présentent une étiquette d'avertissement semblable à ce qui suit :



AVERTISSEMENT : Cancer et troubles de la reproduction – www.p65Warnings.ca.gov.

Qu'est-ce que la Proposition 65?

La Proposition 65 s'applique à toute société exerçant son activité en Californie, qui vend des produits en Californie ou qui fabrique des produits susceptibles d'être vendus ou importés en Californie. Elle stipule que le Gouverneur de Californie doit tenir et publier une liste des substances chimiques connues comme causant des cancers, malformations congénitales et/ou autres troubles de la reproduction. Cette liste, qui est mise à jour chaque année, comprend des centaines de substances chimiques présentes dans de nombreux objets du quotidien. La Proposition 65 a pour objet d'informer le public quant à l'exposition à ces substances chimiques.

La Proposition 65 n'interdit pas la vente de produits contenant ces substances chimiques, mais impose la présence d'avertissements sur tout produit concerné, sur son emballage ou sur la documentation fournie avec le produit. D'autre part, un avertissement de la Proposition 65 ne signifie pas qu'un produit est en infraction avec les normes ou exigences de sécurité du produit. De fait, le gouvernement californien a clairement précisé qu'un avertissement de la Proposition 65 « était différent d'une décision réglementaire établissant l'innocuité d'un produit ». Bon nombre de ces substances chimiques sont utilisées dans des produits du quotidien depuis des années, sans aucun effet nocif documenté. Pour plus de renseignements, rendez-vous sur <https://oag.ca.gov/prop65/faqs-view-all>.

Un avertissement de la Proposition 65 signifie qu'une société a soit (1) évalué l'exposition et conclu qu'elle dépassait le « niveau ne posant aucun risque significatif »; soit (2) choisi d'émettre un avertissement simplement sur la base de sa compréhension quant à la présence d'une substance chimique de la liste, sans tenter d'en évaluer l'exposition.

Cette loi s'applique-t-elle partout?

Les avertissements de la Proposition 65 sont exigés uniquement en vertu de la loi californienne. Ces avertissements sont présents dans tout l'état de Californie, dans des environnements très variés, notamment mais pas uniquement les restaurants, magasins d'alimentation, hôtels, écoles et hôpitaux, et sur un vaste éventail de produits. En outre, certains détaillants en ligne et par correspondance fournissent des avertissements de la Proposition 65 sur leurs sites internet ou dans leurs catalogues.

Quelles différences entre les avertissements de Californie et les limites fédérales?

Les normes de la Proposition 65 sont souvent plus strictes que les normes fédérales et internationales. Diverses substances exigent un avertissement de la Proposition 65 à des niveaux bien inférieurs aux limites d'intervention fédérales. Par exemple, la norme de la Proposition 65 en matière d'avertissements pour le plomb se situe à 0,5 µg/jour, soit bien moins que les normes fédérales et internationales.

Pourquoi l'avertissement ne figure-t-il pas sur tous les produits semblables?

- Pour les produits commercialisés en Californie, l'étiquetage Proposition 65 est exigé, tandis qu'il ne l'est pas sur des produits similaires commercialisés ailleurs.
- Il se peut qu'une société impliquée dans un procès lié à la Proposition 65 et parvenant à un accord soit obligée d'utiliser les avertissements de la Proposition 65 pour ses produits, tandis que d'autres sociétés fabriquant des produits semblables peuvent ne pas être soumises à cette obligation.
- L'application de la Proposition 65 n'est pas uniforme.
- Certaines sociétés peuvent choisir de ne pas indiquer d'avertissements car elles considèrent qu'elles n'y sont pas obligées au titre de la Proposition 65; l'absence d'avertissements sur un produit ne signifie pas que le produit ne contient pas de substances de la liste à des niveaux semblables.

Pourquoi cet avertissement apparaît-il sur les produits Toro?

Toro a choisi de fournir aux consommateurs le plus d'information possible afin qu'ils puissent prendre des décisions éclairées quant aux produits qu'ils achètent et utilisent. Toro fournit des avertissements dans certains cas d'après ses connaissances quant à la présence de l'une ou plusieurs des substances chimiques de la liste, sans en évaluer le niveau d'exposition, car des exigences de limites ne sont pas fournies pour tous les produits chimiques de la liste. Bien que l'exposition avec les produits Toro puisse être négligeable ou parfaitement dans les limites « sans aucun risque significatif », par mesure de précaution, Toro a décidé de fournir les avertissements de la Proposition 65. De plus, en l'absence de ces avertissements, la société Toro pourrait faire l'objet de poursuites par l'État de Californie ou par des particuliers cherchant à faire appliquer la Proposition 65, et donc être assujettie à d'importantes pénalités.

REV

Notes:



Count on it.