



Count on it.

Parts Catalog

**Z Master® 42in 8000 Series
Riding Mower**

Model No. 74318—Serial No. 420219121 and Up



Ordering Replacement Parts

To order replacement parts, please supply the part number, the quantity, and the description of each part desired.

Understanding Reference Numbers

Each identified part in an illustration has a reference number. The reference number for a part also appears in the parts list, along with other information about the part.

This catalog uses two special reference number formats, one to indicate parts in a service assembly and another to indicate the quantity of a given part in an illustration.

Service Assembly Reference Numbers

Parts in service assemblies have reference numbers in the form a:b. The a represents the reference number of the entire service assembly and the b represents a sequential number unique to each part within the service assembly.

For example, a wheel assembly might be identified by reference number 6, the tire by 6:1, the valve by 6:2, and the wheel by 6:3. When you order the assembly identified by reference number 6, you receive all parts identified by reference numbers 6:1, 6:2, and 6:3. However, you may also order any part individually. Reference numbers of this type appear in illustration and in parts lists.

Reference Numbers Indicating Quantity

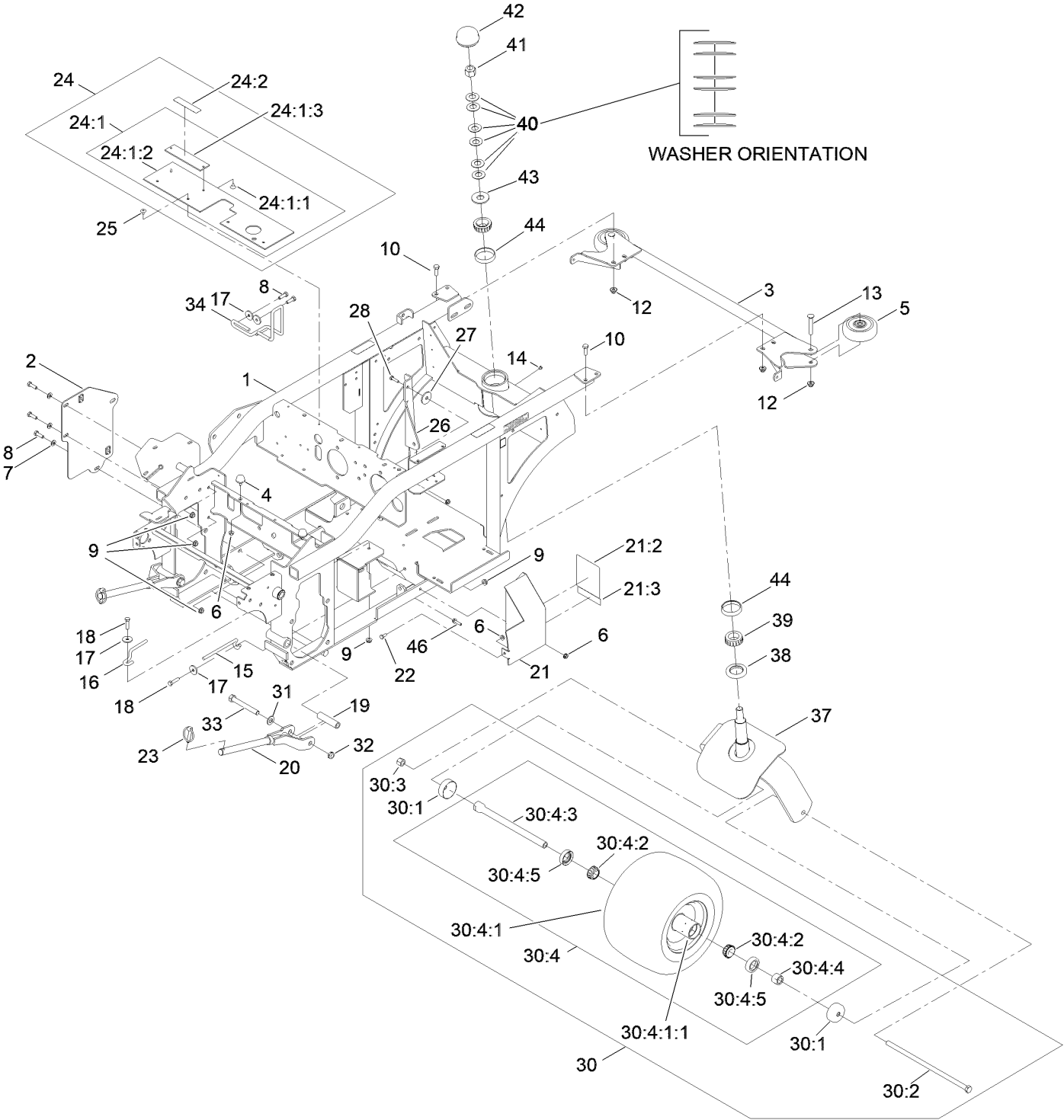
In an illustration, if a reference number indicates more than one part, the reference number has the form nX y. The n represents the quantity of the part, the X is the multiplication symbol, and the y represents the reference number.

For example, in an illustration, the reference number 2X 37 means that two of the parts identified by reference number 37 are indicated.

Contents

Main Frame Assembly	4
Frame and Decal Assembly No. 116-7482	6
Speed Control Assembly	8
Parking Brake Assembly	10
Seat and Consoles Assembly	12
Hydraulic Assembly	14
Hydraulic Pump Assembly No. 116-7836	16
Idler Assembly No. 103-7349	18
Blower Mounting Assembly	20
Blower Assembly No. 116-9649	22
Engine Assembly	24
Fuel Tank Assembly	26
Electrical Assembly	28
Hopper Switch Actuator Assembly No. 103-8528	30
Hopper Assembly	32
Hopper Assembly No. 130-2872	34
Hopper Screen Assembly No. 109-0717	36
Hopper Door Assembly No. 130-2875	38
Hopper Frame Assembly No. 109-4086	40
Drive Assembly	42
Deck Assembly	44
Deck W/Decals Assembly No. 142-2918	46
Discharge Tube Assembly No. 103-9487	48
Gearbox Assembly No. 103-3460	50
Rear Deck Height Adjustment Assembly No. 109-0322	52
Drive Shaft Assembly No. 103-9485	54
Deck Support Frame Assembly	56
Deck Support W/Decals Assembly No. 142-2910	58
Spring Lift Assist Assembly	60
Attachments and Accessories	62

Main Frame Assembly



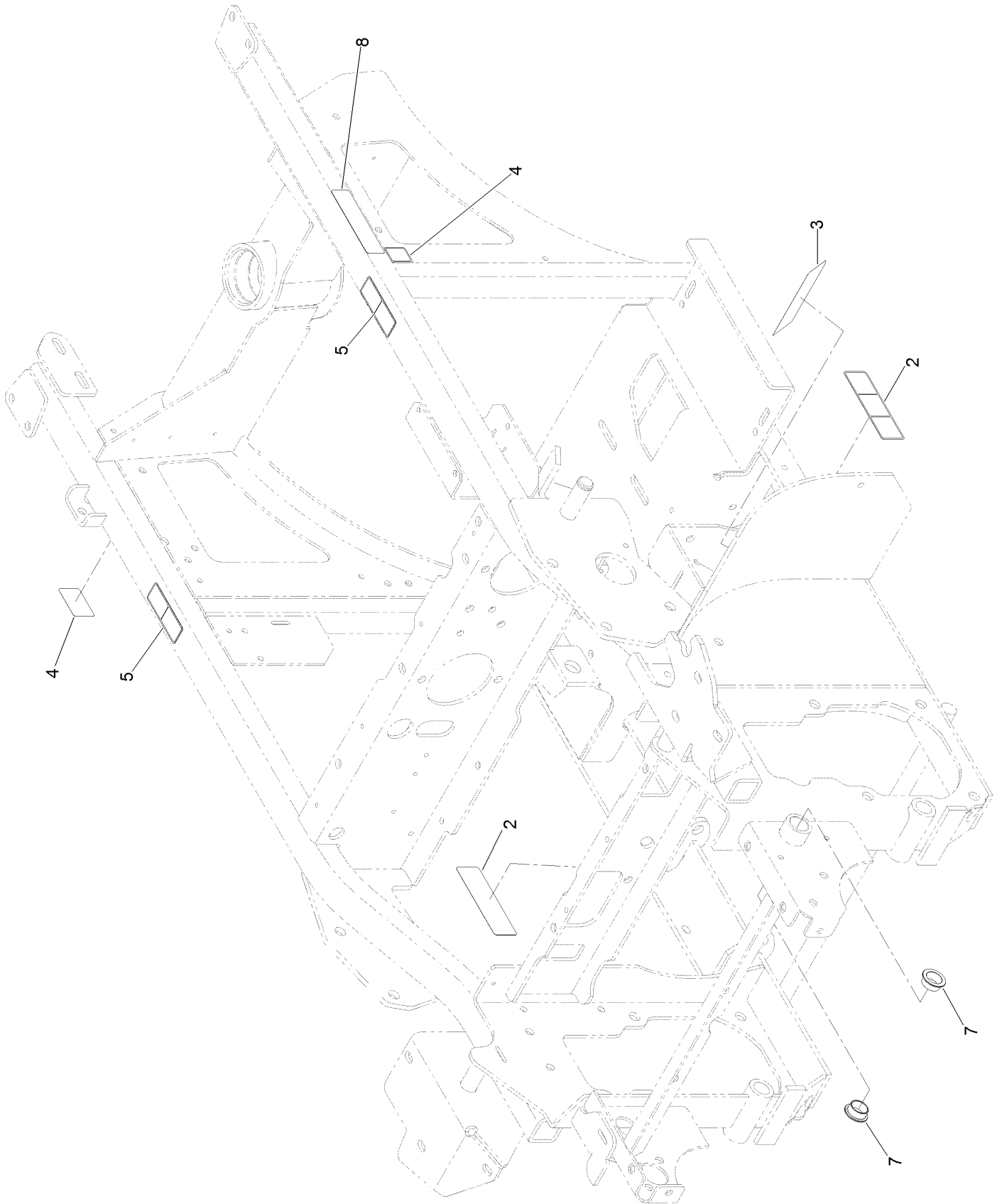
Main Frame Assembly (continued)

<i>Ref.</i>	<i>Part Number</i>	<i>Qty.</i>	<i>Description</i>	<i>Ref.</i>	<i>Part Number</i>	<i>Qty.</i>	<i>Description</i>
1	116-7482	1	Frame ASM	24:2	98-1977	1	Decal-Warning
2	116-7396-03	1	Plate-Support	25	1-803035	4	Rivet-Pop
3	109-0925-03	1	Bumper-Rear	26	109-5874-03	1	Brace-PTO
4	109-2365	2	Bumper-Rubber	27	1-213069	1	Washer
5	103-5408	2	Roller-Bumper	28	321-6	1	Screw-HH
6	32128-33	5	Nut-HF	30	130-2865	1	Wheel And Axle ASM
7	3256-23	3	Washer-Plain	30:1	103-2768	2	Guard-Seal
8	322-5	5	Screw-HH	30:2	103-7738	1	Screw-HH
9	32128-20	5	Nut-HF	30:3	3296-23	1	Nut-Lock, NI
10	323-6	4	Screw-HH	30:4	130-2864	1	Wheel And Bearing ASM
12	119-4042	6	Nut-HF, NI	30:4:1		1	Wheel And Tire ASM ●
13	3231-31	2	Screw-CARR	30:4:1:1	1-633584	2	Bearing-Cup
14	1-811010	1	Plug	30:4:2	1-633585	2	Bearing-Cone, Taper
15	103-8333	1	Guide-Belt	30:4:3	126-5362	1	Axle Caster ASM
16	103-8349	1	Guide-Belt	30:4:4	103-3051	1	Spacer-Nut ■
17	1-613235	4	Washer	30:4:5	103-0063	2	Seal-Caster
18	322-6	2	Screw-HH	31	3256-26	2	Washer-Flat
19	1-633060	2	Spacer-Wheel, Short	32	3296-45	2	Nut-Hex
20	103-6596-03	2	Rod-Push	33	325-17	2	Screw-HH
21	130-2879	1	Drive Shield ASM	34	135-5784	1	Wld-Belt Guide
21:2	116-8941	1	Decal-Belt Routing	37	103-3351-03	1	Fork-Rear Caster
21:3	98-1977	1	Decal-Warning	38	103-9027	1	Seal-Grease
22	321-3	1	Screw-HH	39	103-9028	2	Bearing-Roller, Cone Taper
23	103-4155	2	Pin-Lynch	40	1-633508	6	Washer-Bellville
24	103-9476	1	Lift Shield ASM	41	3296-51	1	Nut-Lock, NI
24:1		1	Shield-Lift ●	42	126-9882	1	Cap-Grease
24:1:1	1-803035	2	Rivet-Pop	43	3256-8	1	Washer-Flat
24:1:2	103-8819	1	Flap-Guard	44	103-9029	2	Cup-Tapered, Roller Bearing
24:1:3	103-9114-03	1	Plate-Decal	46	120-4654	1	Screw-HHF

● Not serviced separately

■ Use Pro-Lock, Nut Type (P/N 1-840022, .5ml tube) on threads.

Frame and Decal Assembly No. 116-7482

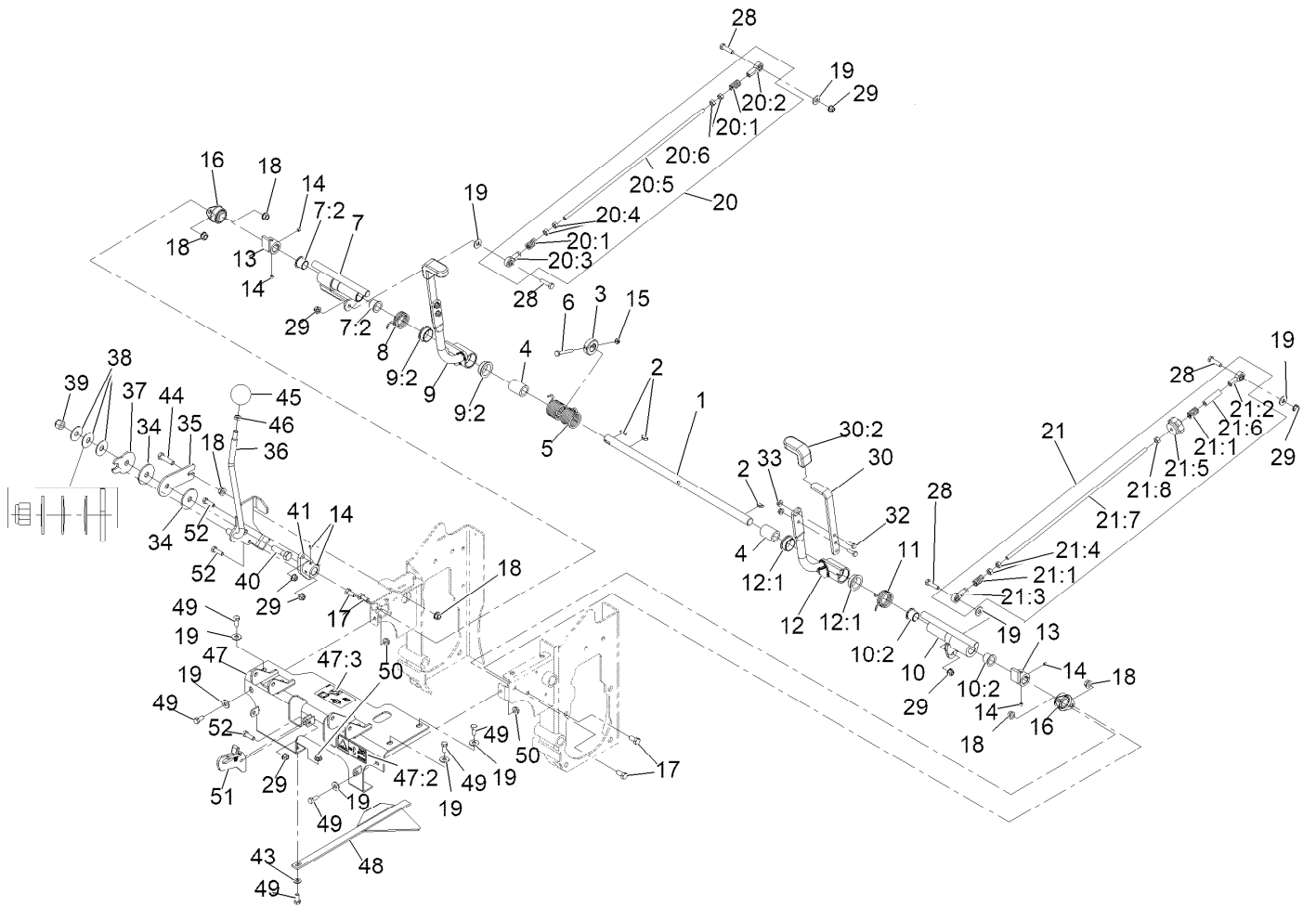


Frame and Decal Assembly No. 116-7482 (continued)

<i>Ref.</i>	<i>Part Number</i>	<i>Qty.</i>	<i>Description</i>
2	112-9028	2	Decal-Cover, Missing
3	126-4207	1	Decal-Adjustment, Clutch
4	106-5517	2	Decal-Warning

<i>Ref.</i>	<i>Part Number</i>	<i>Qty.</i>	<i>Description</i>
5	120-0625	2	Decal-Warning
7	108519	2	Bushing-Bronze
8	133-8062	1	Decal-Spark Arrestor

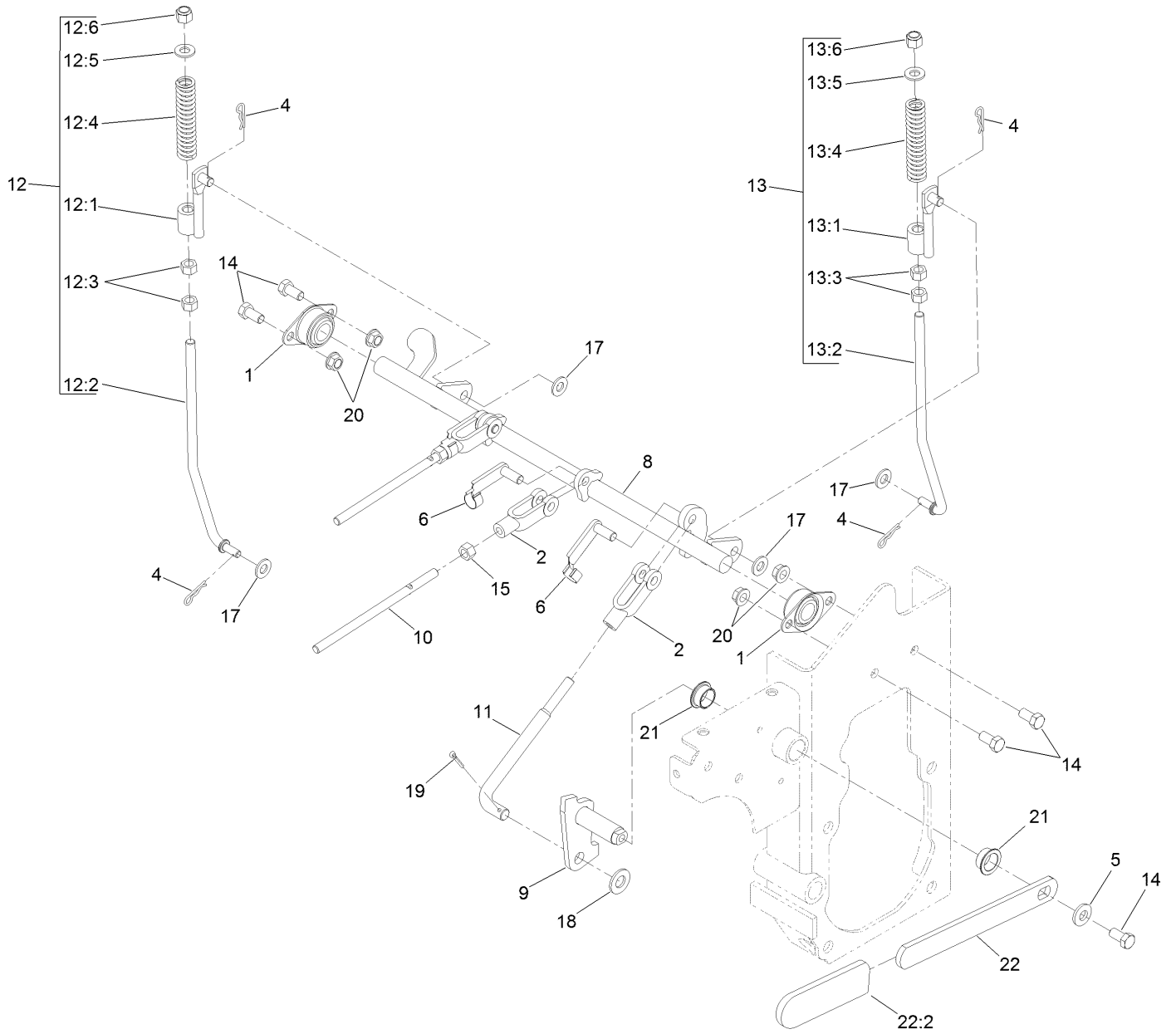
Speed Control Assembly



Speed Control Assembly (continued)

<i>Ref.</i>	<i>Part Number</i>	<i>Qty.</i>	<i>Description</i>	<i>Ref.</i>	<i>Part Number</i>	<i>Qty.</i>	<i>Description</i>
1	116-7856	1	Shaft-Control, Speed	21:4	1-804524	2	Nut-Hex 5/16-24 (LH)
2	3257-5	3	Key-Woodruff #9 3/4 X 3/16	21:5	103-3060	1	Knob-Tracking
3	116-7372	1	Stop-Hub, Center	21:6	103-5945	1	Spacer
4	116-7414	2	Bushing-Plastic	21:7	116-7492	1	Rod-Linkage, Steering
5	116-8475	1	Spring-Torsion, Double	21:8	3219-2	1	Nut-Hex 5/16-24
6	321-11	1	Screw-HH 1/4-20 X 2	28	322-6	4	Screw-HH 5/16-18 X 1 1/4
7	116-8444	1	RH Control Hub ASM	29	119-4041	7	Nut-HF
7:2	103-4398	2	Bearing-Flange, Iglide	30	116-9246	2	Handle ASM
8	116-7380	1	Spring-Torsion, RH	30:2	103-5994	1	Grip-Handle, Steering
9	126-7461	1	RH Steering Handle ASM	32	321-5	4	Screw-HH 1/4-20 X 7/8
9:2	116-7422	2	Bearing-Flange, Iglide	33	32128-33	4	Nut-Whizlock 1/4-20
10	116-7416	1	LH Control Hub ASM	34	103-5009	2	Disc-Friction
10:2	103-4398	2	Bearing-Flange, Iglide	35	116-7846	1	Plate-Friction, Speed Control
11	116-7381	1	Spring-Torsion, LH				
12	126-7463	1	LH Steering Handle ASM	36	116-7845	1	Lever-Speed Control
12:1	116-7422	2	Bearing-Flange, Iglide	37	116-7849	1	Plate-Friction, Speed Control
13	103-4342	2	Hub-Speed Control				
14	108-0989	6	Setscrew-1/4-20 X 1/4	38	103-5018	3	Washer-Spring Disc
15	3296-56	1	Nut-Nyloc 1/4-20 Thin	39	3296-19	1	Nut-Nyloc 1/2-20
16	1-633102	2	Bearing-Flanged	40	116-7848	1	Screw-HH
17	323-4	4	Screw-HH 3/8-16 X 3/4	41	116-7859	1	Hub-Control, Speed
18	3290-357	6	Nut-Whizlock 3/8-16	43	3256-23	1	Washer-5/16 SAE
19	3256-3	9	Washer-5/16 Std	44	323-8	1	Screw-HH 3/8-16 X 1 1/2
20	116-9667	1	RH Pump Linkage ASM	45	103-4397	1	Knob-Ball, Speed Control
20:1	1-323245	2	Spring-Compression	46	3218-3	1	Nut-Jam 3/8-16
20:2	1-543017	1	Balljoint	47	116-7384	1	Console ASM
20:3	1-633152	1	Balljoint	47:2	116-9049	1	Decal-Danger, Driveline
20:4	1-804524	2	Nut-Hex 5/16-24 (LH)	47:3	116-8946	1	Decal-Motor, Wheel
20:5	116-7492	1	Rod-Linkage, Steering	48	103-5993-03	1	Guide-Plenum
20:6	3219-2	2	Nut-Hex 5/16-24	49	322-3	6	Screw-HH 5/16-18 X 3/4
21	116-9668	1	LH Pump Linkage ASM	50	32128-20	3	Nut-Whizlock 5/16-18
21:1	1-323245	2	Spring-Compression	51	103-8494	1	Hook
21:2	1-543017	1	Balljoint	52	322-5	3	Screw-HH 5/16-18 X 1
21:3	1-633152	1	Balljoint				

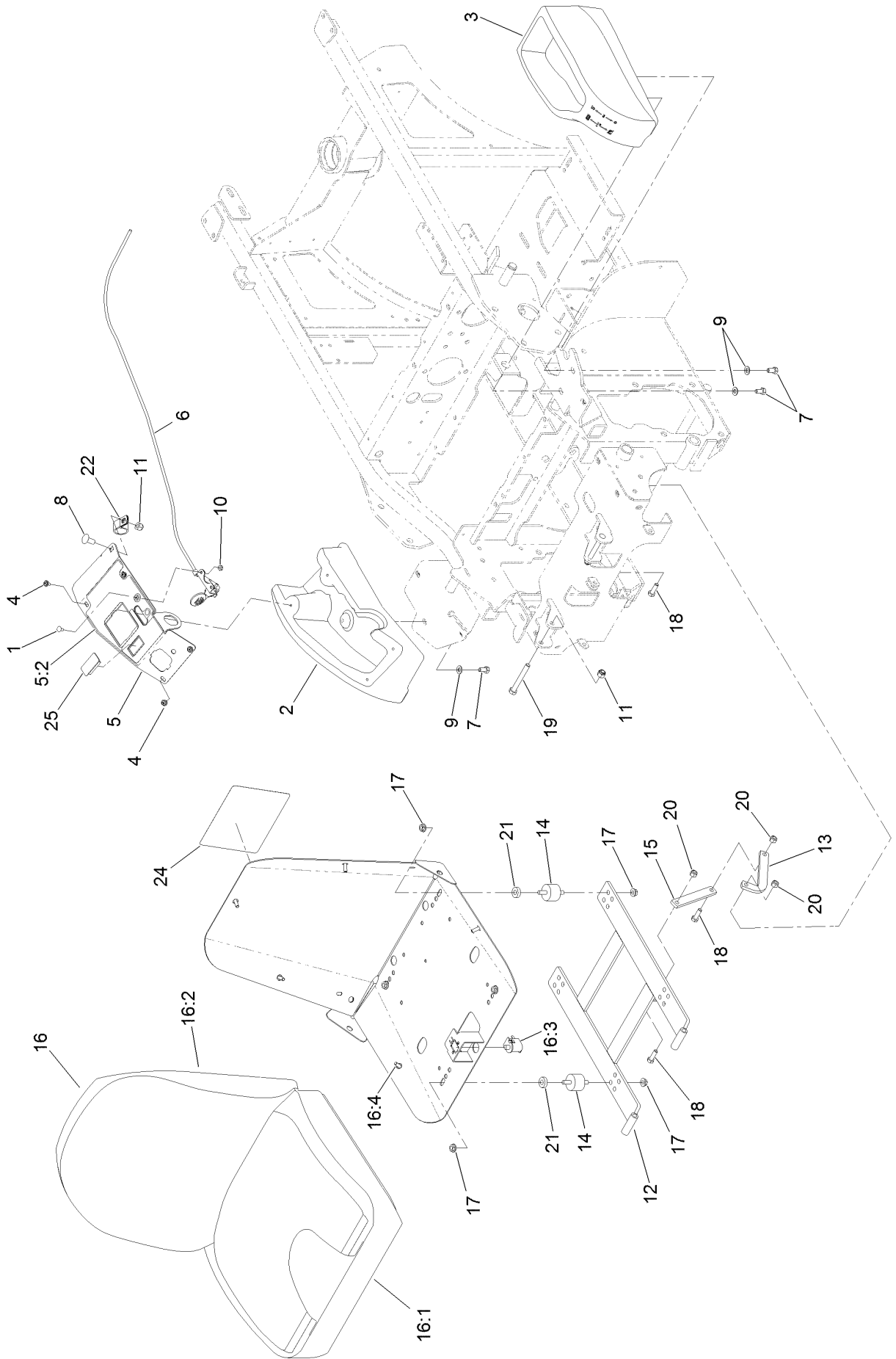
Parking Brake Assembly



Parking Brake Assembly (continued)

<i>Ref.</i>	<i>Part Number</i>	<i>Qty.</i>	<i>Description</i>	<i>Ref.</i>	<i>Part Number</i>	<i>Qty.</i>	<i>Description</i>
1	1-633102	2	Bearing-Flange, Side	13	116-9749	1	LH Brake Linkage ASM
2	1-633131	3	Yoke-Linkage, Brake	13:1	116-8467	1	Brake Linkage ASM
4	1-806003	4	Pin-Cotter	13:2	116-8464	1	Link-Brake, LH
5	98-5975	1	Washer-Belleville	13:3	3219-3	2	Nut-Hex
6	103-2399	3	Pin-Spring, Clevis	13:4	116-8470	1	Spring-Compression
8	116-7483-03	1	Shaft-Brake	13:5	3256-24	1	Washer-Plain
9	116-7486	1	Pivot-Brake	13:6	3296-6	1	Nut-Lock
10	116-7838	2	Rod-Linkage, Brake	14	323-4	5	Screw-HH
11	116-8474	1	Rod-Linkage, Brake	15	3219-3	2	Nut-Hex
12	116-9748	1	RH Brake Linkage ASM	17	3256-24	4	Washer-Plain
12:1	116-8467	1	Brake Linkage ASM	18	3256-26	1	Washer-Flat
12:2	116-8465	1	Link-Brake, RH	19	3272-10	1	Pin-Cotter
12:3	3219-3	2	Nut-Hex	20	3290-357	4	Nut-HSF
12:4	116-8470	1	Spring-Compression	21	108519	2	Bushing-Bronze
12:5	3256-24	1	Washer-Plain	22	103-9469	1	Park Brake Handle ASM
12:6	3296-6	1	Nut-Lock	22:2	1-633268	1	Grip-Lever

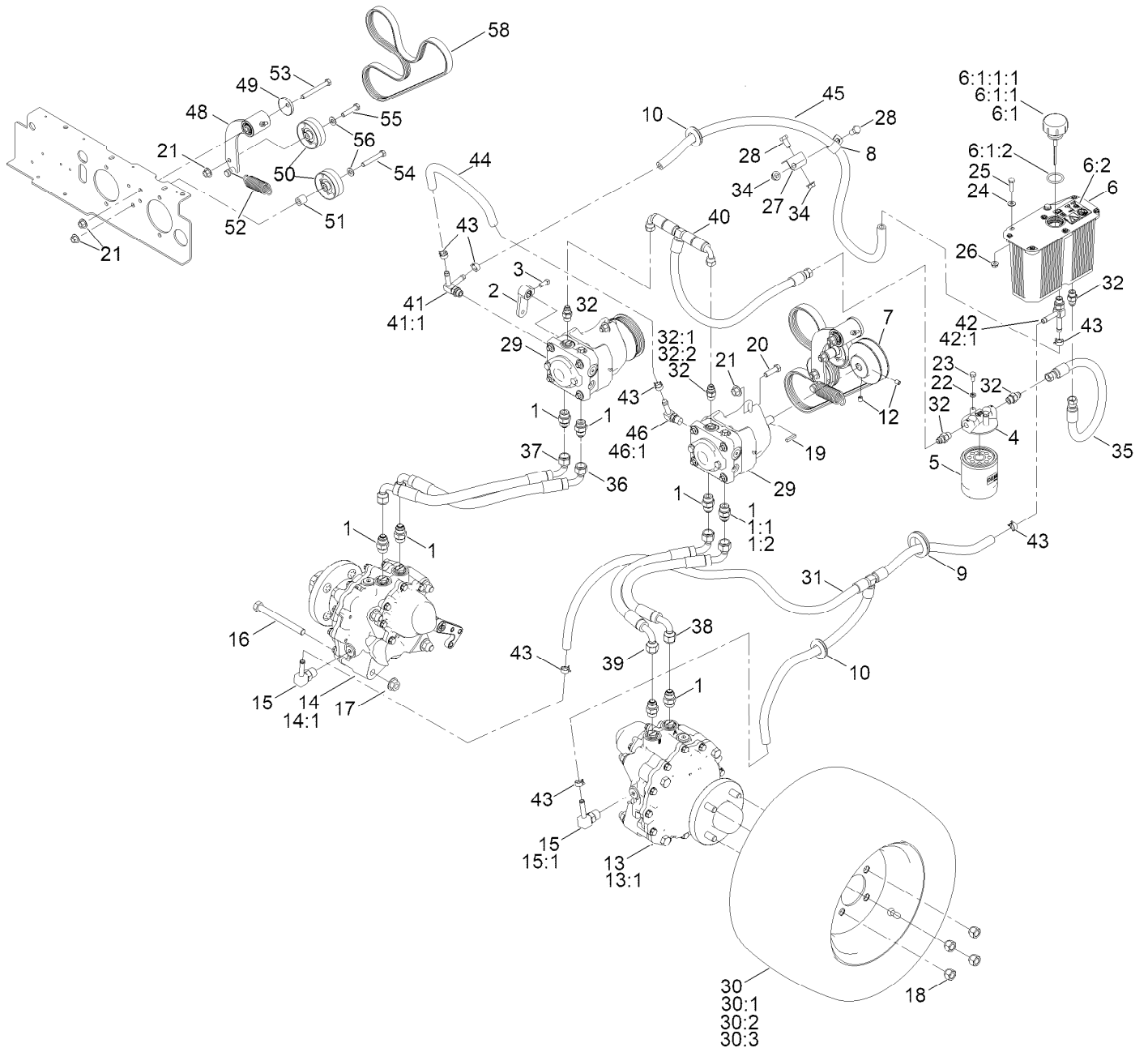
Seat and Consoles Assembly



Seat and Consoles Assembly (continued)

<i>Ref.</i>	<i>Part Number</i>	<i>Qty.</i>	<i>Description</i>	<i>Ref.</i>	<i>Part Number</i>	<i>Qty.</i>	<i>Description</i>
1	1-807513	2	Bolt-CARR	15	103-8563	1	Link-Seat
2	130-2857	1	Console-RH	16	130-2852	1	Seat ASM
3	126-4343	1	Console-LH	16:1	121-4751	1	Cushion-Seat, Bottom
4	109-2661	4	Screw-PPH	16:2	121-4752	1	Cushion-Seat, Back
5	130-2895	1	Control Panel ASM	16:3	82-2190	1	Switch-Bail
5:2	130-2881	1	Decal-Control	16:4	103-8383	5	Bolt-Seat
6	109-4641	1	Cable-Throttle	17	32128-20	8	Nut-HF
7	322-2	6	Screw-HH	18	322-5	3	Screw-HH
8	3231-27	1	Screw-CARR	19	323-14	2	Screw-HH
9	3256-23	6	Washer-Plain	20	3296-29	3	Nut-Lock, NI
10	3296-2	2	Nut-Lock, NI	21	5-0652	4	Spacer
11	3296-39	3	Nut-Lock, NI	22	1-643312	1	Clip-Loom
12	103-4362-03	1	Frame-Seat	24	116-9044	1	Decal-Service Aid
13	116-9554	1	Link-Seat Stop	25	99-7420	1	Plug-Hole
14	103-5496	4	Mount-Vibration, Rubber				

Hydraulic Assembly

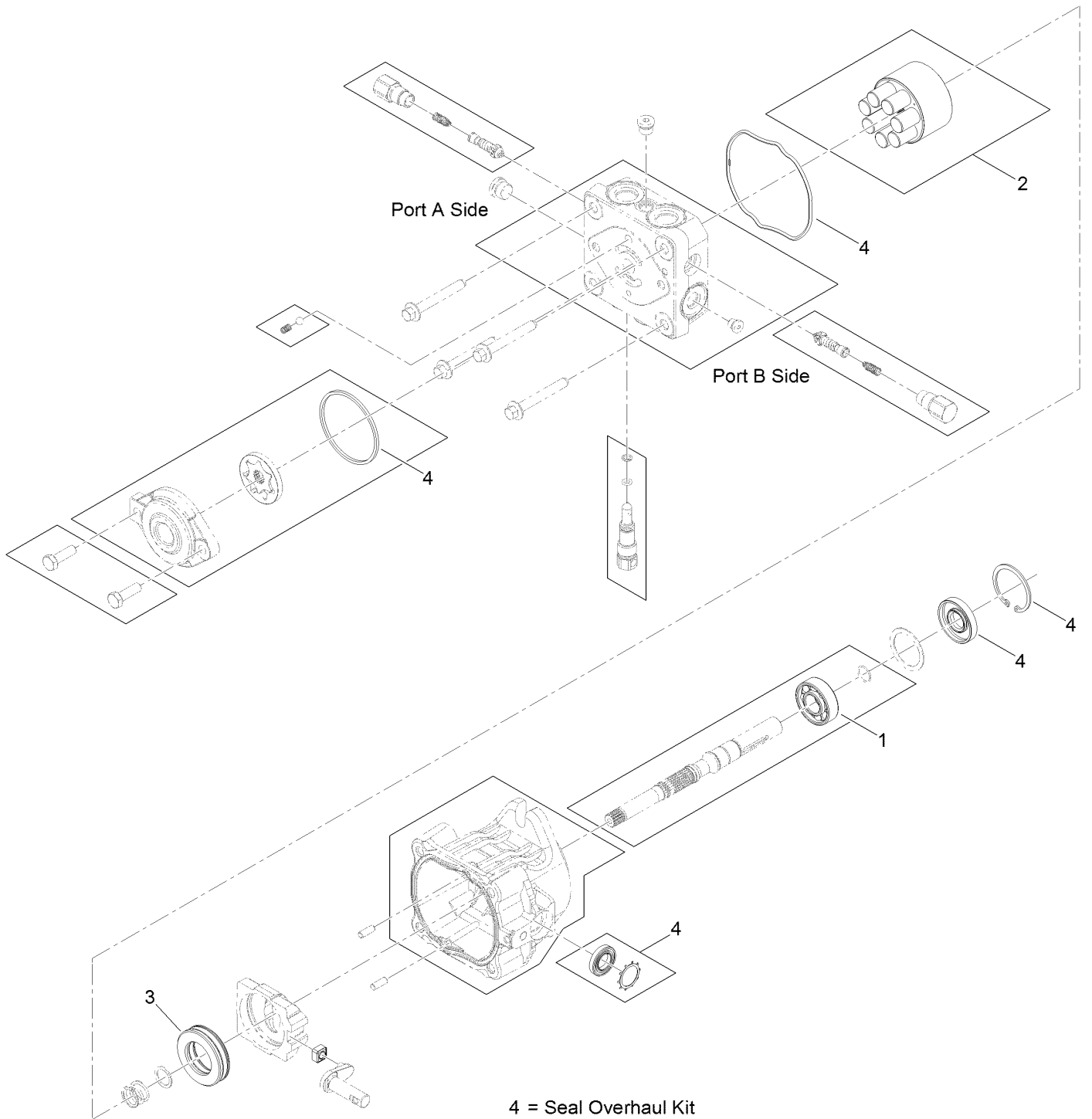


Hydraulic Assembly (continued)

<i>Ref.</i>	<i>Part Number</i>	<i>Qty.</i>	<i>Description</i>	<i>Ref.</i>	<i>Part Number</i>	<i>Qty.</i>	<i>Description</i>
1	1-603990	8	Fitting-Straight	28	323-4	2	Screw-HH
1:1	1-603920	1	O-Ring	29	116-7836	2	12Cc Hydro Pump ASM
1:2	1-603992	1	O-Ring	30	130-2869	2	Wheel And Tire ASM
2	1-632208	2	Arm-Control, Pump	30:1	130-2868	1	Wheel
3	120-6474	2	Screw-Set, SQH	30:2	105-1945	1	Tire
4	104-7836	1	Head-Filter	30:3	232-27	1	Stem-Valve
5	114-3494	1	Element-Filter, 25 Micron	31	116-7831	1	Hydraulic Hose ASM
6	146-6128	1	Reservoir ASM W/Decal	32	103-2156	5	Fitting-Straight
6:1		1	Reservoir-HYD ●	32:1	1-603921	1	O-Ring
6:1:1	146-6126	1	Cap-Reservoir W/Dipstick/O-Ring	32:2	103-1020	1	O-Ring
6:1:1:1	142-2792	1	O-Ring	34	3290-357	2	Nut-HSF
6:1:2	142-2792	1	O-Ring	35	126-4400	1	Hydraulic Hose ASM
6:2	142-3077	1	Decal-HYD Fluid Warn	36	116-7827	1	Hydraulic Hose ASM
7	103-4246	2	Sheave	37	116-7828	1	Hydraulic Hose ASM
8	1-633396	1	Clip-Loom	38	116-7829	1	Hydraulic Hose ASM
9	103-7706	1	Grommet	39	116-7830	1	Hydraulic Hose ASM
10	1-543286	2	Grommet	40	109-1264	1	Hydraulic Hose ASM
12	1-803310	4	Screw-Set	41	103-5469	1	Adapter-Tee
13	116-7401	1	Motor-HYD, LH	41:1	237-42	1	O-Ring
13:1	146-8070	1	ASM-Wheel Hub W/ Studs	42	103-1828	1	Adapter-Run, Tee
14	116-7402	1	Motor-HYD, RH	42:1	237-42	1	O-Ring
14:1	146-8070	1	ASM-Wheel Hub W/ Studs	43	103-1988	7	Clamp-Hose
15	354-134	2	Fitting-90	44	103-5452	1	Hose-HYD
15:1	237-79	1	O-Ring	45	103-5477	1	Hose-HYD
16	325-19	8	Screw-HH	46	100-4887	1	Fitting-Elbow, 90
17	32128-49	8	Nut-HHF	46:1	237-42	1	O-Ring
18	139-2564	8	Nut-Lug	48	103-7349	1	Short Idler ASM
19	1-807272	2	Key	49	103-2916	1	Guard-Top
20	323-7	4	Screw-HH	50	116-6361	2	Pulley
21	32128-43	7	Nut-Flange	51	106-5574	1	Spacer-Mounting, Steering
22	1-805004	2	Washer-Lock	52	1-653331	1	Spring-Idler
23	321-3	2	Screw-HH	53	323-20	1	Screw-HH
24	3256-22	2	Washer-Flat	54	323-12	1	Screw-HH
25	321-6	2	Screw-HH	55	323-9	1	Screw-HH
26	32128-33	2	Nut-HF	56	3256-24	2	Washer-Plain
27	103-8631	1	Bracket-Clamp	58	130-2871	1	Belt-V

● Not serviced separately

Hydraulic Pump Assembly No. 116-7836

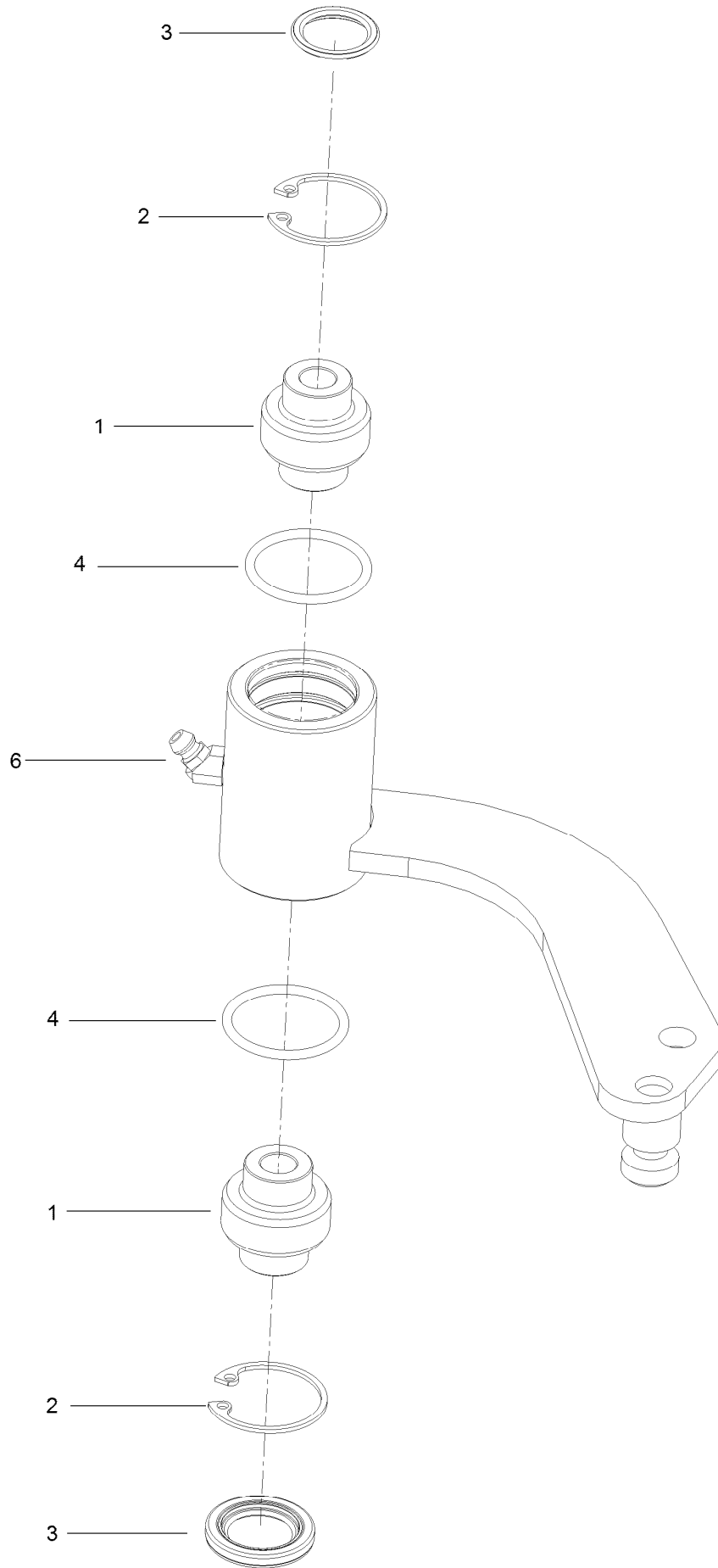


Hydraulic Pump Assembly No. 116-7836 (continued)

<i>Ref.</i>	<i>Part Number</i>	<i>Qty.</i>	<i>Description</i>
1	104-5311	1	Bearing-Ball
2	103-7443	1	Cylinder Block Kit

<i>Ref.</i>	<i>Part Number</i>	<i>Qty.</i>	<i>Description</i>
3	121-3235	1	Bearing-Thrust, Plastic Cage
4	105-6184	1	Kit-Pump Seal Overhaul

Idler Assembly No. 103-7349

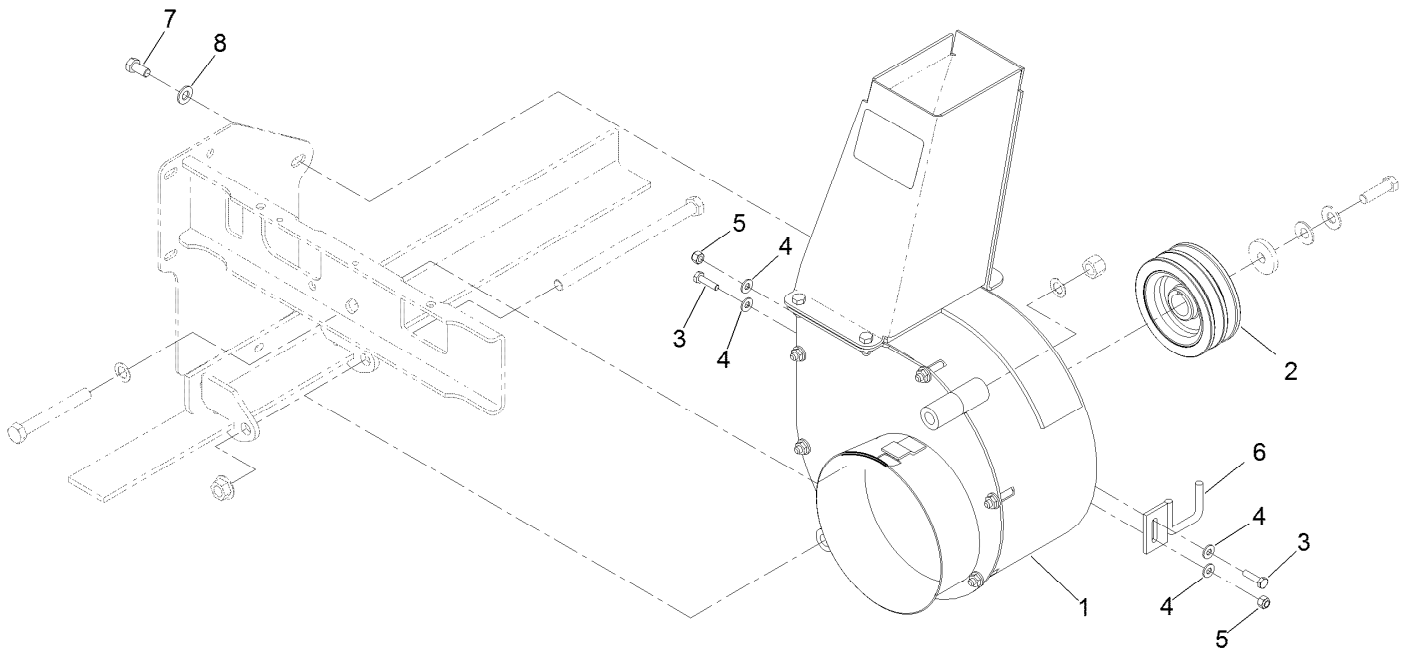


Idler Assembly No. 103-7349 (continued)

<i>Ref.</i>	<i>Part Number</i>	<i>Qty.</i>	<i>Description</i>
1	103-3504	2	Bearing-Spherical
2	32120-10	2	Ring-Snap
3	103-3506	2	Seal-Lip, Single

<i>Ref.</i>	<i>Part Number</i>	<i>Qty.</i>	<i>Description</i>
4	106-7159	2	O-Ring
6	302-11	1	Fitting-Lube, 45 DEG

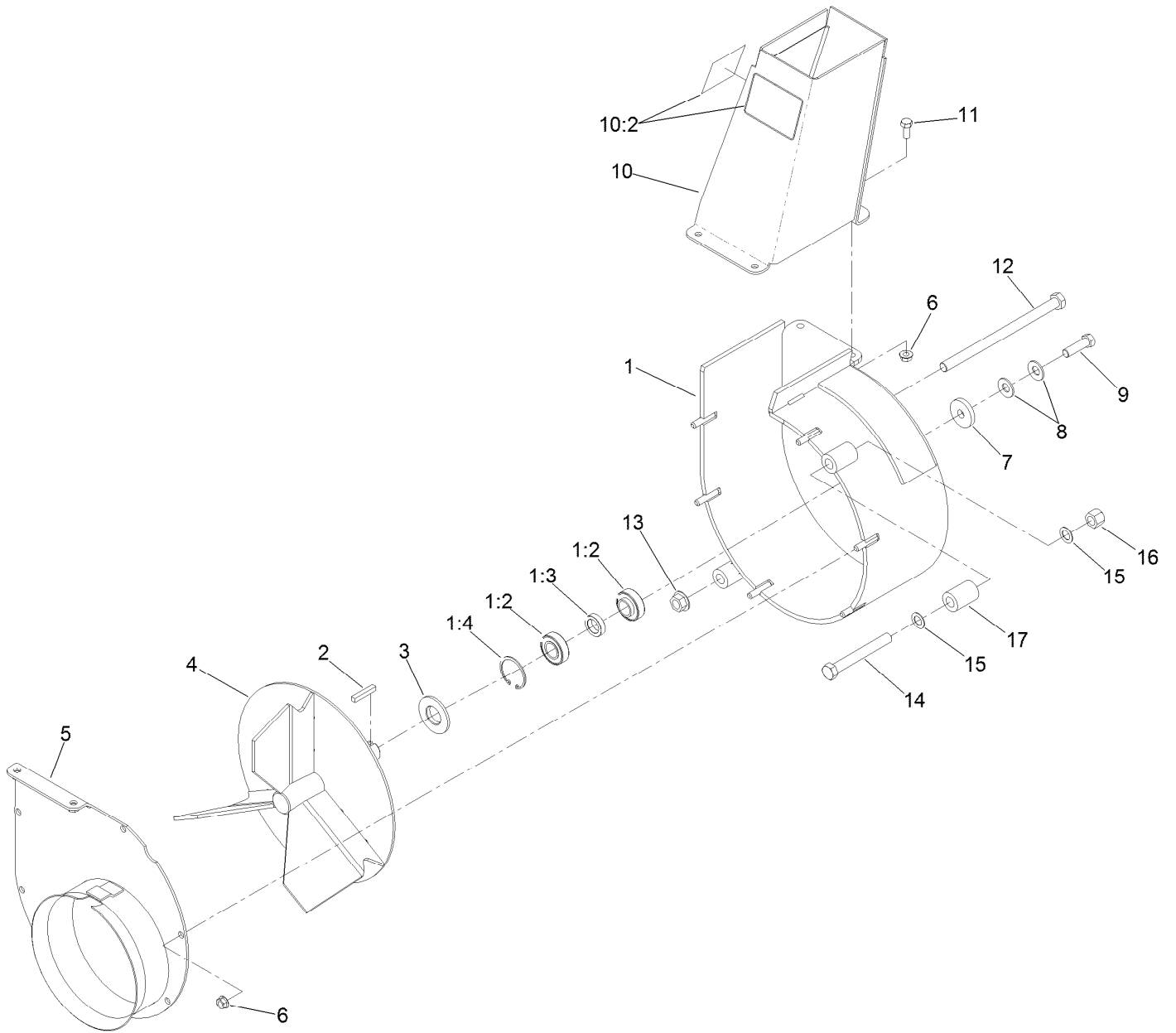
Blower Mounting Assembly



Blower Mounting Assembly (continued)

<i>Ref.</i>	<i>Part Number</i>	<i>Qty.</i>	<i>Description</i>	<i>Ref.</i>	<i>Part Number</i>	<i>Qty.</i>	<i>Description</i>
1	116-9649	1	Blower ASM	5	3296-42	2	Nut-Lock, NI
2	103-6733	1	Sheave-Blower	6	103-9167-03	1	Guide
3	321-6	2	Screw-HH	7	323-4	1	Screw-HH
4	3256-22	4	Washer-Flat	8	3256-24	1	Washer-Plain

Blower Assembly No. 116-9649

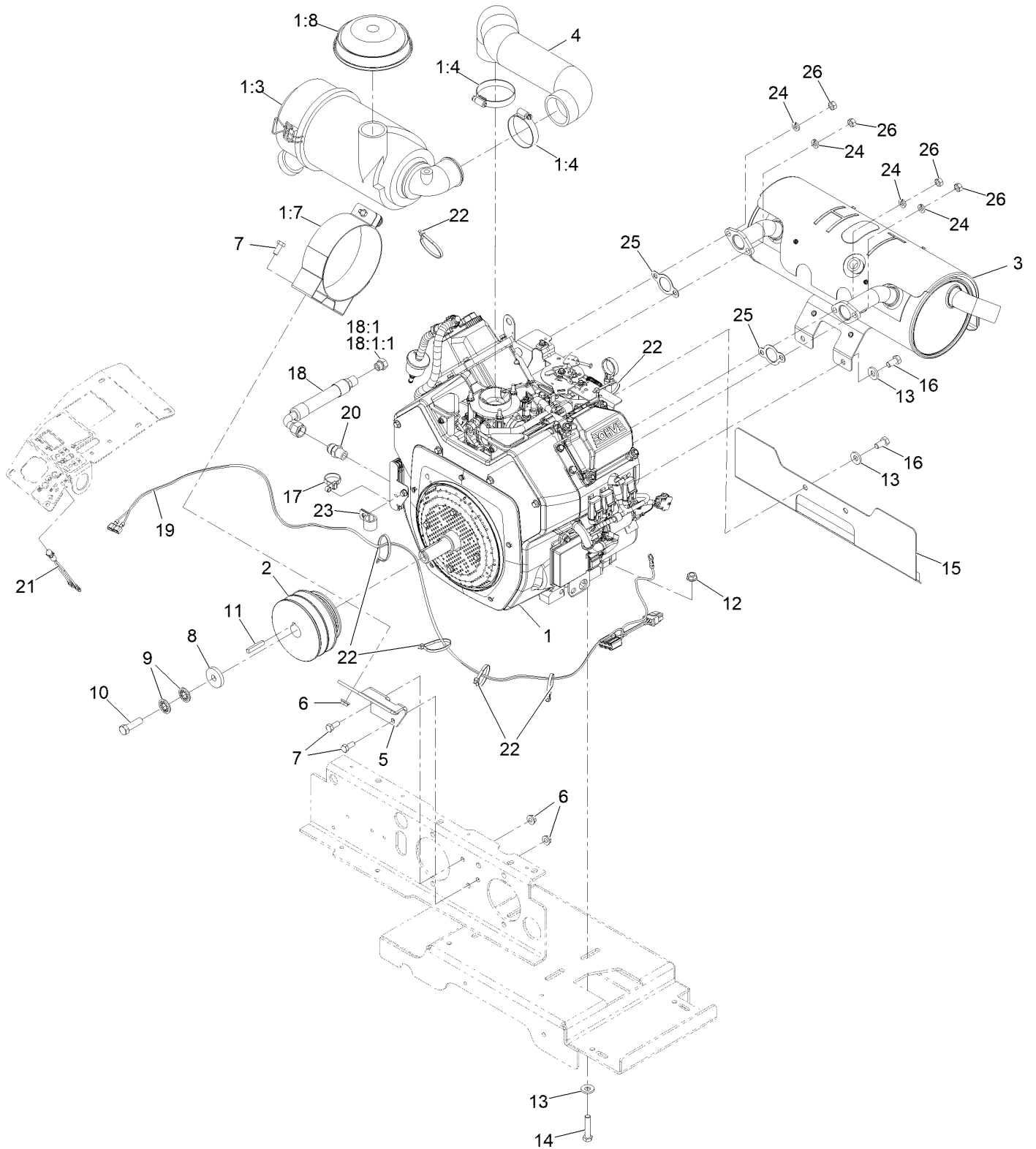


Blower Assembly No. 116-9649 (continued)

<i>Ref.</i>	<i>Part Number</i>	<i>Qty.</i>	<i>Description</i>
1	116-9648	1	Housing ASM
1:2	103-3540	2	Bearing-Ball
1:3	103-4921	1	Spacer-Bearing
1:4	32120-8	2	Ring-Snap
2	67-7490	1	Key-Square
3	103-3894	1	Spacer-Blower
4	103-5194	1	Impeller-3 Blade
5	103-3370-03	1	Cover-Blower
6	32128-20	10	Nut-HF
7	1-543610	1	Washer-Flat
8	1-603610	2	Washer-Spring

<i>Ref.</i>	<i>Part Number</i>	<i>Qty.</i>	<i>Description</i>
9	3212-6	1	Screw-HH
10	103-9474	1	Discharge Chute ASM
10:2	116-8943	2	Decal-Danger, Impeller
11	322-3	4	Screw-HH
12	325-42	1	Screw-HH
13	32128-23	1	Nut-HF
14	325-17	1	Screw-HH
15	18-9810	2	Washer-Thrust
16	3296-23	1	Nut-Lock, NI
17	103-6999	1	Spacer-Mount

Engine Assembly



Engine Assembly (continued)

<i>Ref.</i>	<i>Part Number</i>	<i>Qty.</i>	<i>Description</i>	<i>Ref.</i>	<i>Part Number</i>	<i>Qty.</i>	<i>Description</i>
1		1	Engine-Kohler, Ech749 ●■	14	323-9	4	Screw-HH
1:3	103-8569	1	Air Cleaner Canister ASM	15	109-0181-03	1	Shield-Exhaust
1:4	2412-42	2	Clamp-Hose	16	323-4	4	Screw-HH
1:7	103-1058	1	Bracket-Filter, Air	17	109-7896	1	Tie-Cable
1:8	100-2436	1	Hood-Cleaner, 2" Air Intake	18	116-5338	1	Oil Drain Hose ASM
2	103-6731	1	Sheave-Engine	18:1	353-508	1	Plug-HH
3	142-7225	1	Muffler-EFI Navigator-8000	18:1:1	237-42	1	O-Ring
4	116-4016	1	Hose-Air Intake	19	116-4543	1	Harness-Light Indicator (EFI)
5	103-3695-03	1	Bracket-Filter, Air	20	116-1455	1	Fitting-Straight ▲
6	32128-20	4	Nut-HF	21	1-643267	1	Indicator-LED, Red
7	322-3	4	Screw-HH	22	3290-378	6	Tie-Cable
8	1-543610	1	Washer-Flat	23	1-633396	1	Clip-Loom
9	1-603610	2	Washer-Spring	24	1-805005	4	Washer-Lock
10	3212-6	1	Screw-HH ◆	25	1-653291	2	Gasket-Exhaust
11	67-7490	1	Key-Square	26	33014-00	4	Nut-Hex
12	3290-357	4	Nut-HSF				
13	98-5975	8	Washer-Belleville				

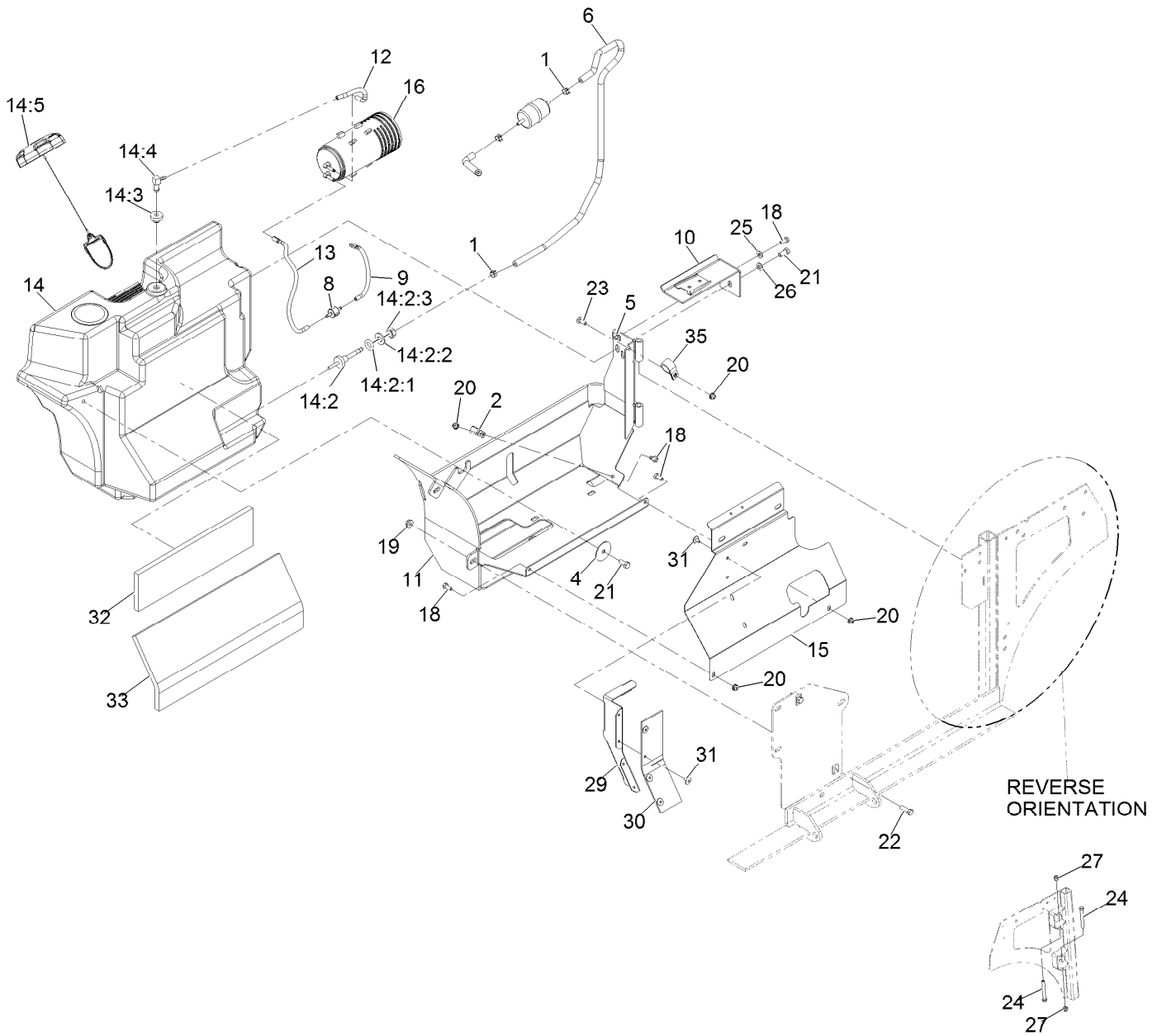
● Not serviced separately

▲ Use a Teflon Pipe Sealant or equivalent on threads.

◆ Use Pro-Lock, Nut Type (P/N 1-840022, .5ml tube) on threads.

■ Obtain parts from www.kohlerplus.com

Fuel Tank Assembly



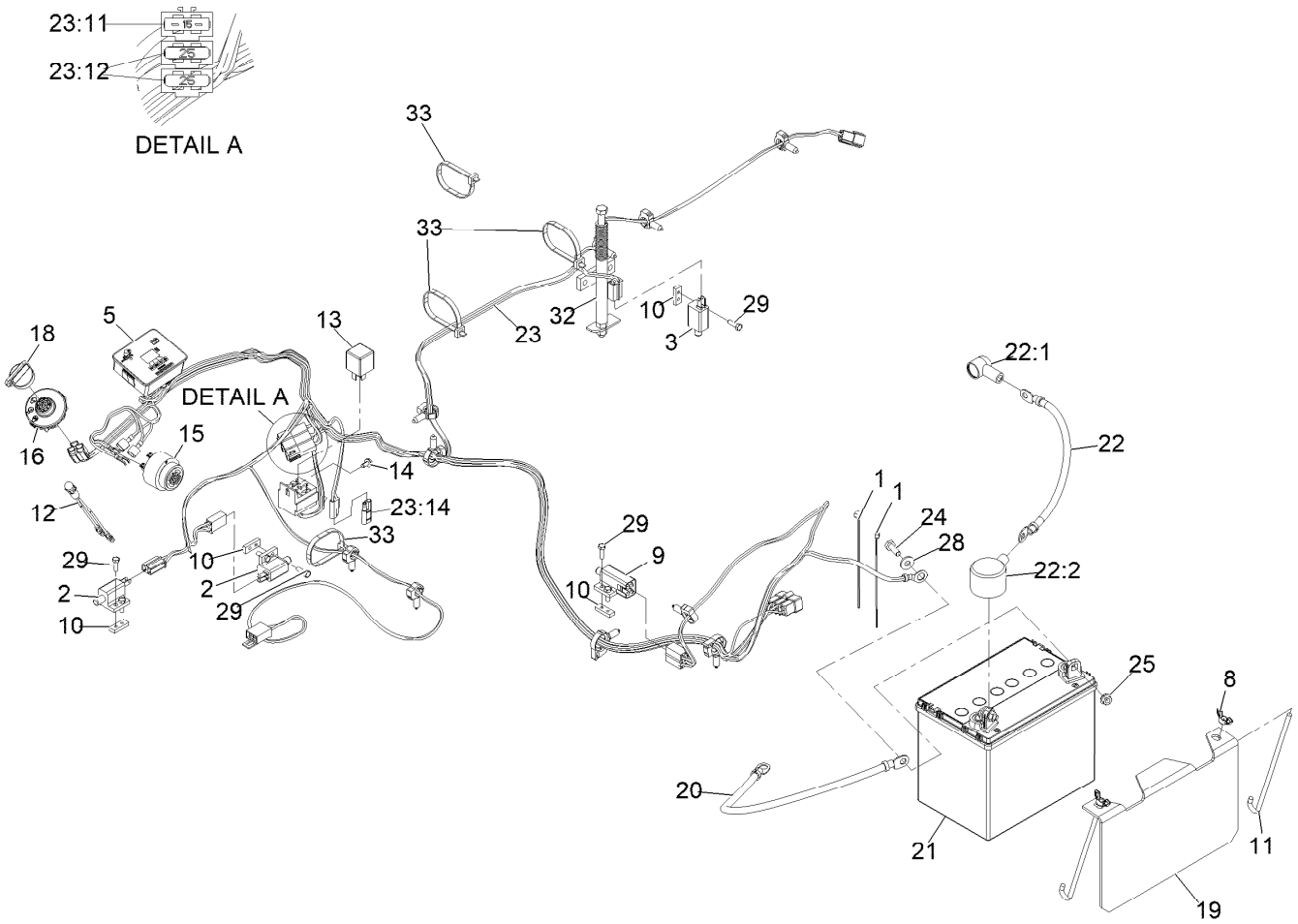
Fuel Tank Assembly (continued)

<i>Ref.</i>	<i>Part Number</i>	<i>Qty.</i>	<i>Description</i>	<i>Ref.</i>	<i>Part Number</i>	<i>Qty.</i>	<i>Description</i>
1	2412-98	2	Clamp-Hose	15	116-7928-03	1	Panel-Tank Shield
2	1-513762	1	Clip-Loom	16	117-1221	1	Canister-Carbon, 800Cc
4	1-653036	1	Washer	18	321-3	4	Screw-HH
5	107069	1	Clip	19	32128-20	2	Nut-HF
6	116-5366	1	Fuel Line ASM	20	104-7201	4	Nut-HF, NI
8	133-8499	1	Valve-Check, Vacuum	21	322-3	2	Screw-HH ●
9	116-2619	1	Hose-Vent, Formed	22	322-5	2	Screw-HH ■
10	116-2847-03	1	Canister Bracket ASM	23	3229-1	1	Screw-CARR
11	116-2848-03	1	Tank Frame ASM	24	323-14	2	Screw-HH
12	116-2966	1	Hose-Vent, Formed	25	3256-22	1	Washer-Flat
13	116-2967	1	Hose-Vent, Formed	26	3256-23	1	Washer-Plain
14	116-8365	1	Fuel Tank ASM	27	3296-39	2	Nut-Lock, NI
14:2	103-6057	1	Fitting-Fuel, Bulkhead ●	29	103-7095-03	1	Deflector-Air
14:2:1	103-2784	1	O-Ring	30	103-9658	1	Flap-Rubber
14:2:2	3256-26	1	Washer-Flat	31	1-803035	9	Rivet-Pop
14:2:3	3220-5	1	Nut-Jam	32	103-7825	1	Insulation-Foam Pad, Front
14:3	46-6560	1	Bushing	33	103-7824	1	Insulation-Foam Pad, Rear
14:4	100-1596	1	Fitting-90 DEG	35	110-0824	1	R-Clamp
14:5	137-4119	1	Cap-Fuel, Ratcheting				

● Use Pro-Lock, Nut Type (P/N 1-840022, .5ml tube) on threads.

■ Use Pro-Lock retaining type, Part no. 1-840023 (.5cc tube) on threads.

Electrical Assembly



Electrical Assembly (continued)

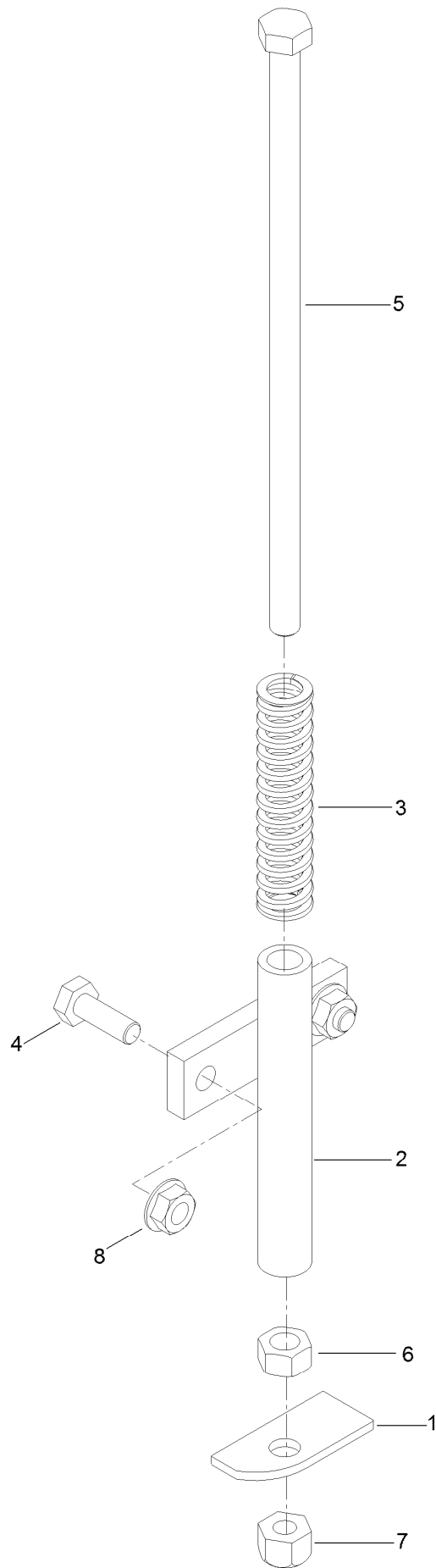
<i>Ref.</i>	<i>Part Number</i>	<i>Qty.</i>	<i>Description</i>	<i>Ref.</i>	<i>Part Number</i>	<i>Qty.</i>	<i>Description</i>
1	1-303287	2	Tie-Cable	21		1	Battery- Wet, 12V, 300 CCA ●■
2	1-513051	2	Switch-Open, Normally	22	116-4730	1	Cable-Battery, Positive
3	1-513152	1	Switch-Closed, Normally	22:1	1-543393	1	Insulator-Solenoid
5	116-8812	1	Hour Meter ASM	22:2	109-2407	1	Insulator-Battery
8	1-543792	2	Wingnut	23	116-9114	1	Harness-Wiring ▲
9	1-633111	1	Switch	23:11	109355	1	Fuse-Blade, 15 Amp
10	1-633181	4	Plate-Tapped	23:12	109102	2	Fuse-Blade, 25 Amp
11	1-633651	2	Bolt-Holddown	23:14	116-0053	1	Cap-Plug
12	1-643267	1	Indicator-LED, Red	24	321-4	2	Screw-HH
13	1-643275	1	Relay	25	32128-33	2	Nut-HF
14	104-2065	1	Screw-HWH	28	3256-2	2	Washer-Flat
15	103-0205	1	Alarm-Tone, Dual	29	3290-134	8	Screw
16	137-4100	1	Switch-Ignition	32	103-8528	1	Hopper Switch Actuator ASM
18	63-8360	1	Key-Ignition	33	3290-378	4	Tie-Cable
19	103-4161-03	1	Hold Down-Battery				
20	103-8355	1	Cable-Battery, Negative				

● Obtain locally.

■ Not serviced separately

▲ Use dielectric grease on all unsealed connectors and terminals only. Do not apply in sealed connectors.

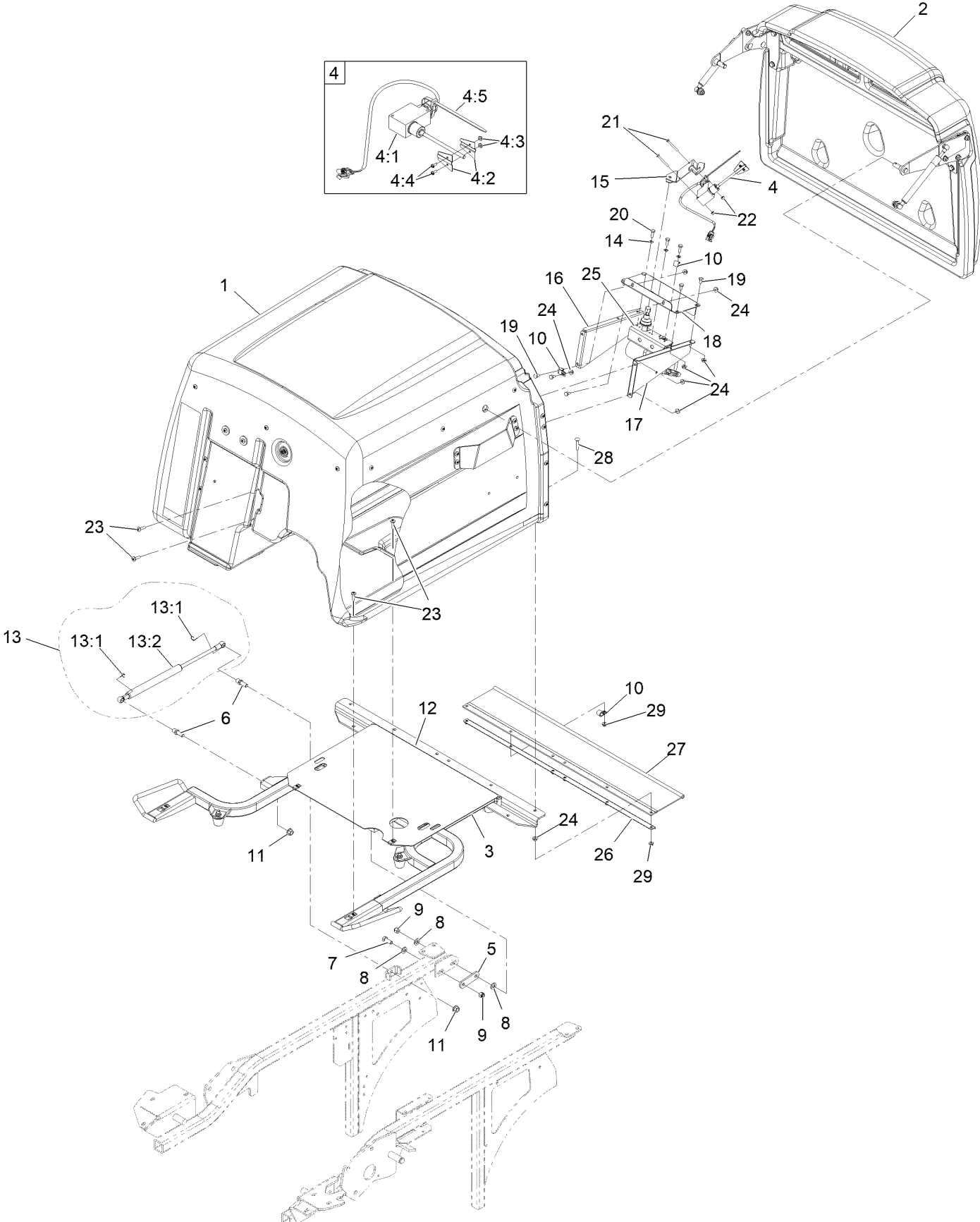
Hopper Switch Actuator Assembly No. 103-8528



Hopper Switch Actuator Assembly No. 103-8528 (continued)

<i>Ref.</i>	<i>Part Number</i>	<i>Qty.</i>	<i>Description</i>	<i>Ref.</i>	<i>Part Number</i>	<i>Qty.</i>	<i>Description</i>
1	126-7505	1	Plate-Switch	5	322-50	1	Screw-HH
2	1-522424-03	1	Mount-Spring, Seat	6	3217-6	1	Nut-Hex
3	1-523415	1	Spring-Switch, Seat	7	3296-29	1	Nut-Lock, NI
4	321-4	2	Screw-HH	8	32128-33	2	Nut-HF

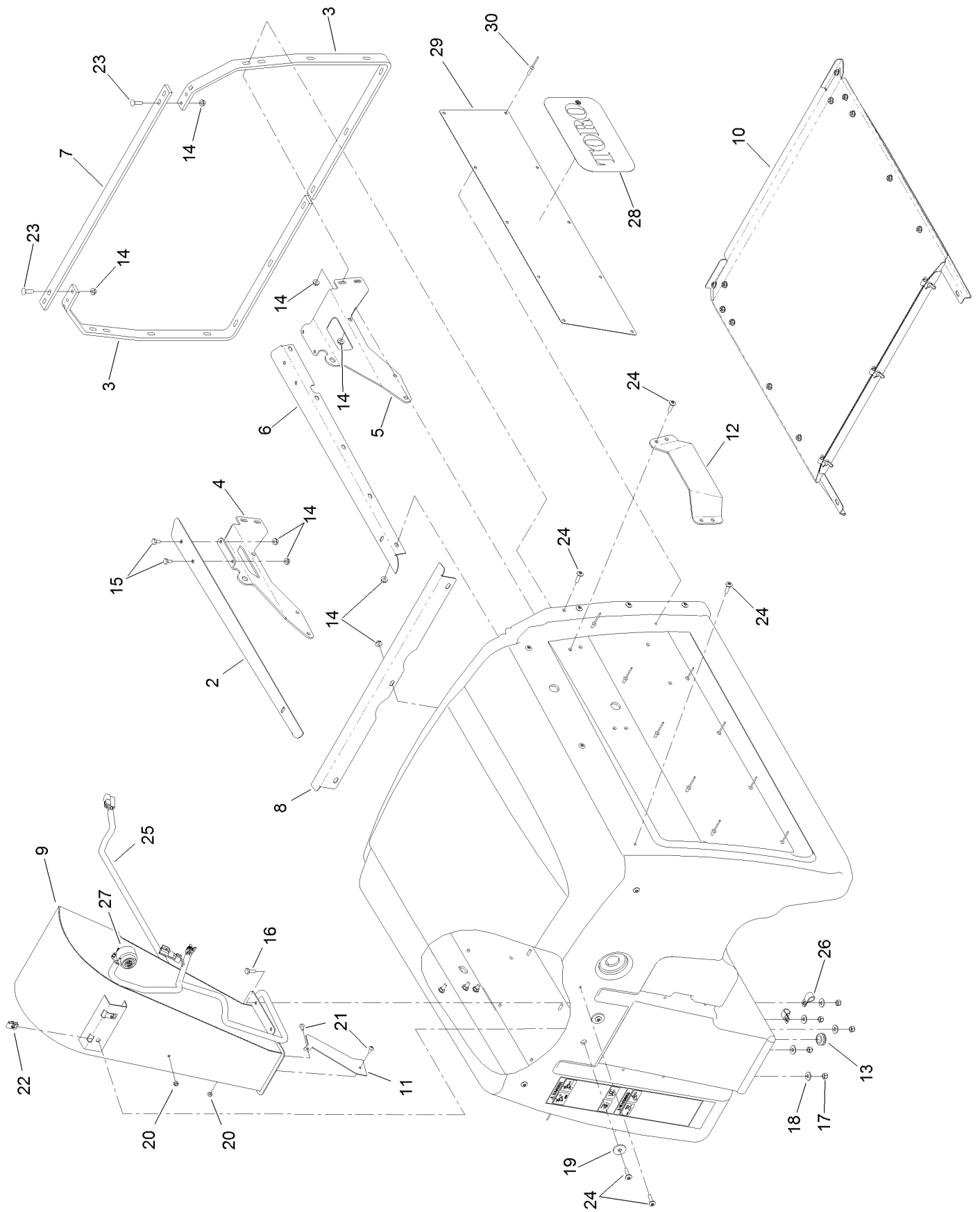
Hopper Assembly



Hopper Assembly (continued)

<i>Ref.</i>	<i>Part Number</i>	<i>Qty.</i>	<i>Description</i>	<i>Ref.</i>	<i>Part Number</i>	<i>Qty.</i>	<i>Description</i>
1	130-2872	1	Hopper ASM	13:1	103-8325	2	Clip-Retainer
2	130-2875	1	Hopper Door ASM	13:2	103-5425	1	Shock-Compression, Gas
3	109-4086	1	Hopper Frame ASM	14	1-303435	3	Washer-Spring
4	116-9404	1	Fill Sensor ASM	15	109-3648	1	Mount-Switch
4:1	109-3854	1	Fill Sensor Wire Kit	16	103-6067-03	1	Bracket-Drive Motor, LH
4:2	103-8789	2	Flag-Sensor, Fill	17	103-6068-03	1	Bracket-Drive Motor, RH
4:3	3296-9	2	Nut-Hex	18	103-7085-03	1	Plate-Switch
4:4	9107622	2	Screw-Pan	19	321-2	7	Screw-HH
4:5	3290-378	1	Tie-Cable	20	329-4	3	Screw-HH
5	1-633068	2	Arm-Lift, Deck	21	3250-48	2	Screw-PPH
6	103-5426	2	Stud-Ball	22	3296-2	2	Nut-Lock, NI
7	323-6	2	Screw-HH	23	32105-32	8	Screw-TTH
8	3256-24	6	Washer-Plain	24	32128-33	17	Nut-HF
9	3296-39	4	Nut-Lock, NI	25	103-9121	1	Motor Wiring ASM
10	1-513762	3	Clip-Loom	26	103-6022-03	1	Channel-Frame, Hopper
11	33005-00	2	Nut-HF	27	103-6025	1	Deflector-Grass
12	614672	2	Screw-Shoulder, HWH	28	3229-4	6	Screw-CARR
13	109-0716	1	Damper Kit	29	104-7201	6	Nut-HF, NI

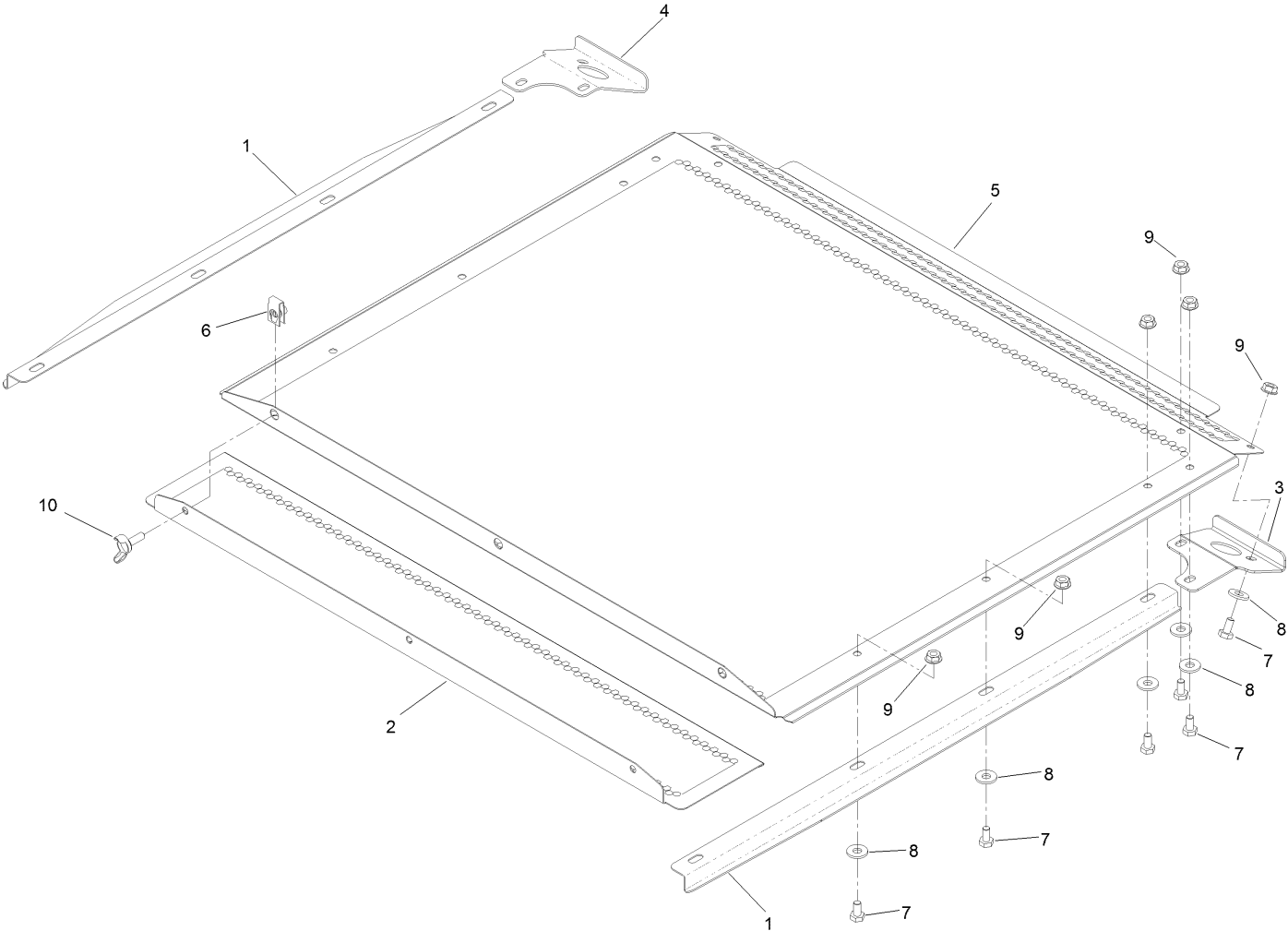
Hopper Assembly No. 130-2872



Hopper Assembly No. 130-2872 (continued)

<i>Ref.</i>	<i>Part Number</i>	<i>Qty.</i>	<i>Description</i>	<i>Ref.</i>	<i>Part Number</i>	<i>Qty.</i>	<i>Description</i>
2	103-5736-03	1	Angle-Screen Track, RH	17	3296-42	5	Nut-Lock, NI
3	103-5045-03	2	Reinforcement-Hopper	18	3256-2	5	Washer-Flat
4	103-5751-03	1	Brace-Door Pivot, RH	19	1-613235	2	Washer
5	103-5749-03	1	Brace-Door Pivot, LH	20	3296-2	2	Nut-Lock, NI
6	103-5774-03	1	Angle-Screen Track, LH	21	32122-30	2	Screw-PTH
7	103-5772-03	1	Bracket-Frame Connect	22	107069	2	Clip
8	103-7035-03	1	Channel-Screen, Front	23	3229-2	4	Screw-CARR
9	109-3650-03	1	Diffuser	24	32105-32	27	Screw-TTH
10	109-0717	1	Hopper Screen ASM	25	103-8800	1	Harness-Wire, Hopper
11	103-8680	1	Deflector-Discharge Chute	26	1-513762	2	Clip-Loom
12	109-4019	2	Plate-Guard	27	103-0205	1	Alarm-Tone, Dual
13	1-543296	1	Grommet	28	130-2885	2	Decal
14	32128-33	33	Nut-HF	29	130-2898-03	2	Plate-Hopper, Side
15	321-2	4	Screw-HH	30	130-8451	20	Rivet-Trifold
16	321-4	5	Screw-HH				

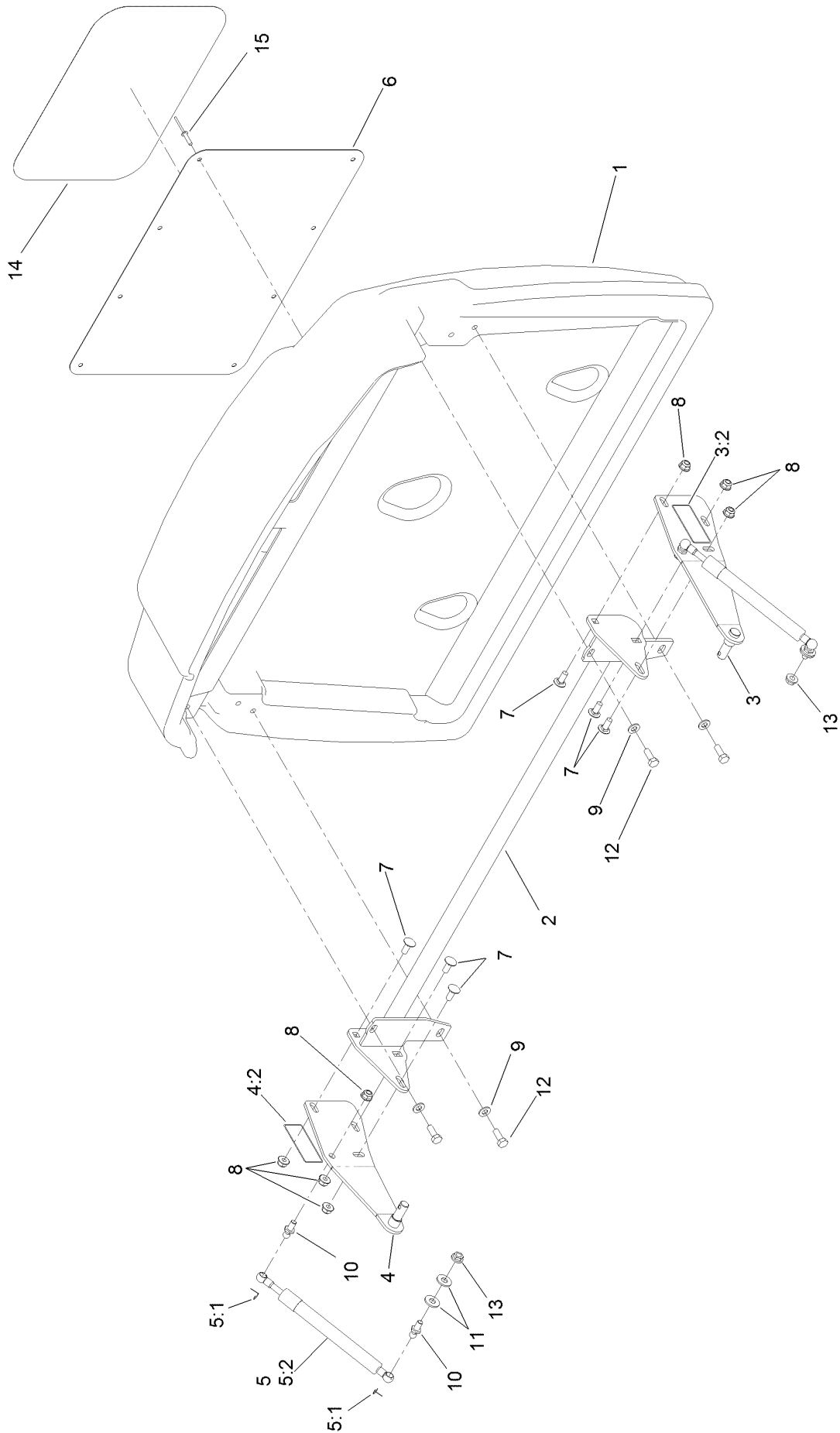
Hopper Screen Assembly No. 109-0717



Hopper Screen Assembly No. 109-0717 (continued)

<i>Ref.</i>	<i>Part Number</i>	<i>Qty.</i>	<i>Description</i>	<i>Ref.</i>	<i>Part Number</i>	<i>Qty.</i>	<i>Description</i>
1	103-8203-03	2	Guide-Screen	6	107069	3	Clip
2	103-7048-03	1	Panel-Screen, Removable	7	321-2	12	Screw-HH
3	103-7098-03	1	Handle-Screen, LH	8	3256-2	12	Washer-Flat
4	103-7099-03	1	Handle-Screen, RH	9	32128-33	12	Nut-HF
5	103-5745-03	1	Panel-Screen, Hopper	10	109-1063	3	Screw-Wing

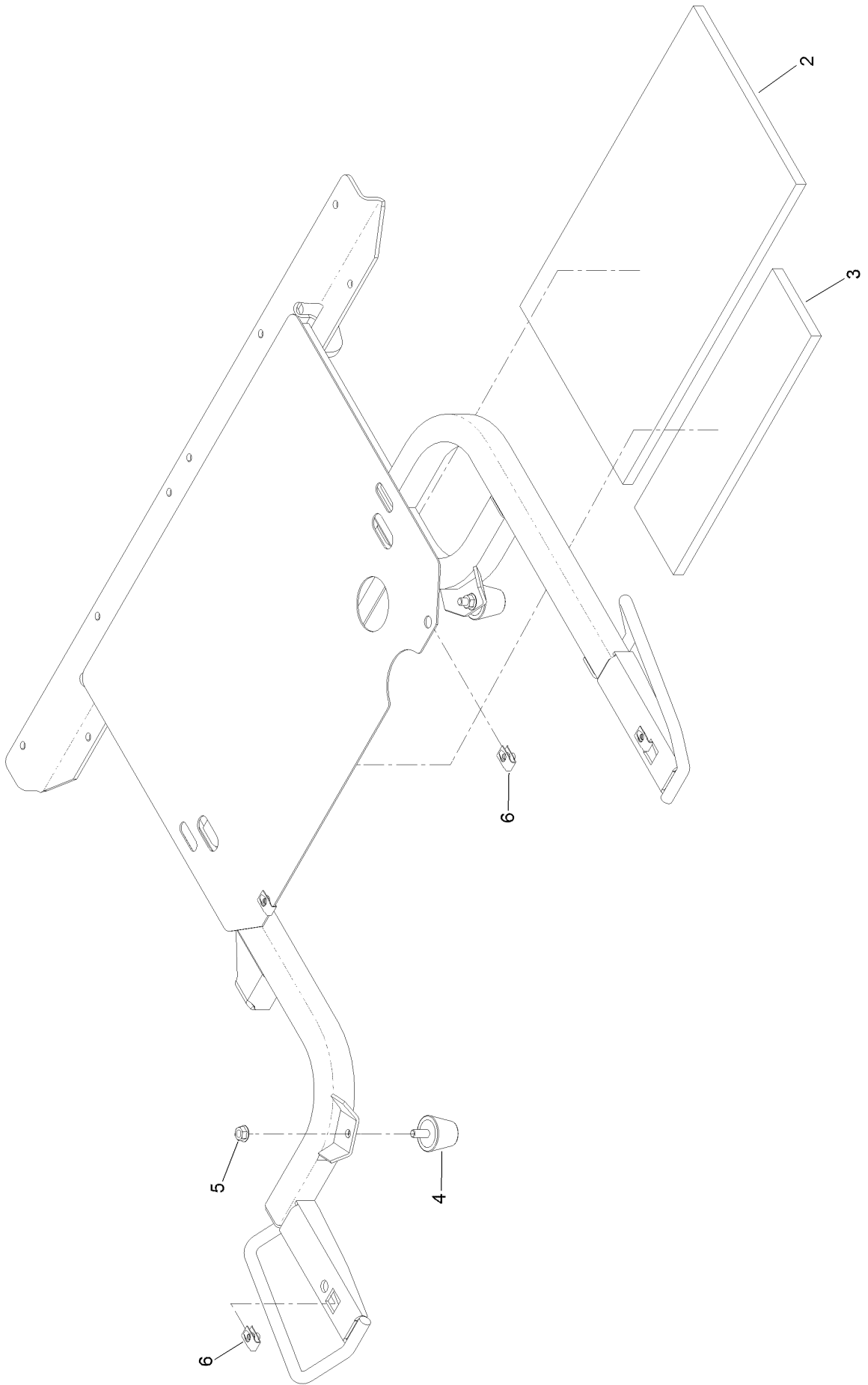
Hopper Door Assembly No. 130-2875



Hopper Door Assembly No. 130-2875 (continued)

<i>Ref.</i>	<i>Part Number</i>	<i>Qty.</i>	<i>Description</i>	<i>Ref.</i>	<i>Part Number</i>	<i>Qty.</i>	<i>Description</i>
1	130-2877	1	Door-Hopper	7	137-3061	6	Bolt-CARR
2	109-4153-03	1	Support-Door	8	119-4041	8	Nut-HF
3	109-4253	1	LH Door Pivot ASM	9	3256-23	4	Washer-Plain
3:2	120-0625	1	Decal-Warning	10	103-5752	4	Stud-Ball
4	109-4254	1	RH Door Pivot ASM	11	3256-3	4	Washer-Flat
4:2	120-0625	1	Decal-Warning	12	322-4	4	Screw-HH
5	109-0715	2	Damper Kit	13	32128-20	2	Nut-HF
5:1	103-8324	2	Clip-Retainer	14	130-2886	1	Decal
5:2	103-5746	1	Shock-Gas Tension	15	130-8451	8	Rivet-Trifold
6	130-8450-03	1	Plate-Door, Hopper				

Hopper Frame Assembly No. 109-4086

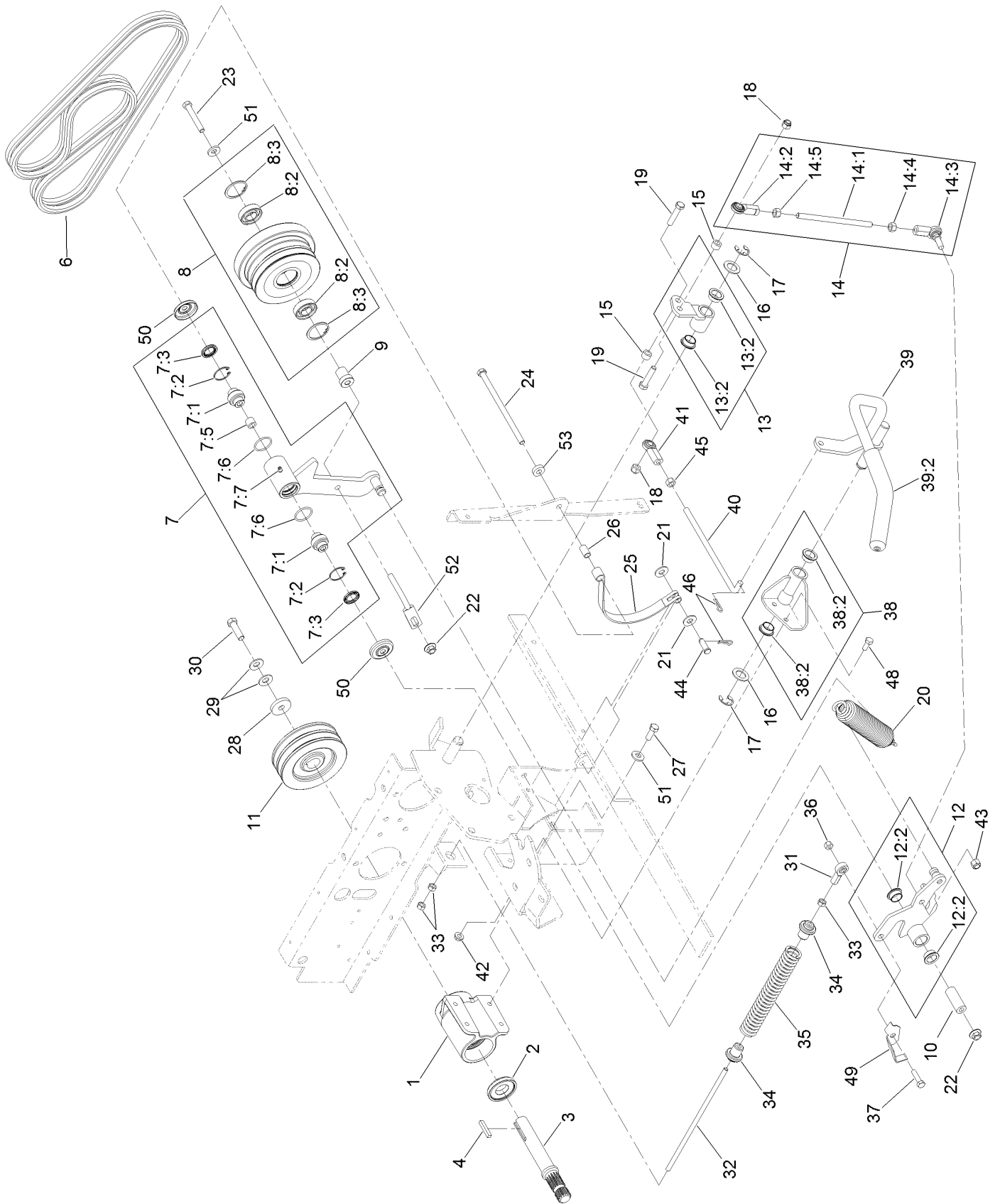


Hopper Frame Assembly No. 109-4086 (continued)

<i>Ref.</i>	<i>Part Number</i>	<i>Qty.</i>	<i>Description</i>
2	103-7824	1	Insulation-Foam Pad, Rear
3	103-7825	1	Insulation-Foam Pad, Front
4	1-543963	2	Bumper-Rubber

<i>Ref.</i>	<i>Part Number</i>	<i>Qty.</i>	<i>Description</i>
5	32128-20	2	Nut-HF
6	107069	4	Clip

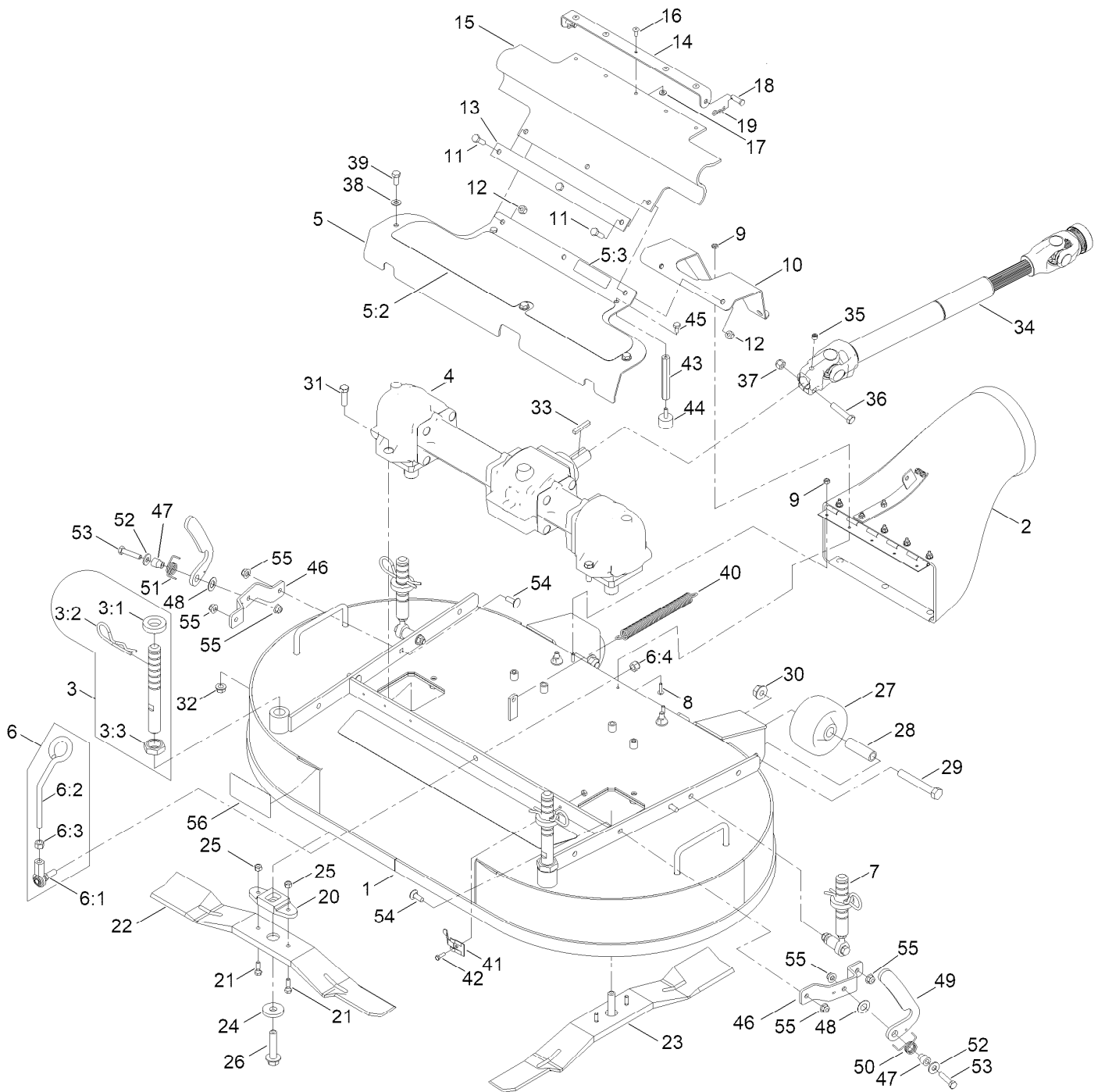
Drive Assembly



Drive Assembly (continued)

<i>Ref.</i>	<i>Part Number</i>	<i>Qty.</i>	<i>Description</i>	<i>Ref.</i>	<i>Part Number</i>	<i>Qty.</i>	<i>Description</i>
1	103-2544	1	Jackshaft ASM	21	3256-4	2	Washer-Flat
2	103-2535	1	Spacer-Guard, Bottom	22	32128-19	2	Nut-HF Lock, Large Flg
3	103-6735	1	Jackshaft	23	323-12	1	Screw-HH
4	67-7490	1	Key-Square	24	323-36	1	Screw-HH
6	130-2870	1	Belts-Pair, Matched	25	103-7697	1	Band-Brake
7	103-8253	1	Idler Pivot ASM	26	103-9816	1	Spacer
7:1	103-3504	2	Bearing-Spherical	27	323-6	4	Screw-HH
7:2	32120-10	2	Ring-Snap	28	1-543610	1	Washer-Flat
7:3	103-3506	2	Seal-Lip, Single	29	1-603610	2	Washer-Spring
7:5	1-413088	1	Bushing-Lever, Lift	30	3212-6	1	Screw-HH
7:6	106-7159	2	O-Ring	31	1-543017	1	Balljoint-RH
7:7	302-19	1	Fitting-Grease	32	103-7996	1	Linkage-Rod, PTO Brake
8	103-9439	1	Idler Sheave ASM	33	3219-2	3	Nut-Hex
8:2	251-347	2	Bearing-Ball	34	103-8254	2	Bushing-Spring
8:3	32151-13	2	Ring-Retaining	35	103-7997	1	Spring-Brake
9	103-7350	1	Spacer-Idler	36	3296-29	1	Nut-Lock, NI
10	103-7382	1	Bushing	37	322-6	1	Screw-HH
11	103-6732	1	Sheave	38	103-9295	1	Pivot ASM
12	103-9296	1	Arm ASM	38:2	108519	2	Bushing-Bronze
12:2	108519	2	Bushing-Bronze	39	103-9486	1	PTO Handle ASM
13	103-9297	1	Arm ASM	39:2	103-8153	1	Grip-Lever, Control
13:2	108519	2	Bushing-Bronze	40	103-8277	1	Link-Handle
14	103-7392	1	Clutch Link ASM	41	103-0608	1	Joint-Ball, End
14:1	103-7393	1	Rod-Linkage	42	32128-20	2	Nut-HF
14:2	103-1167	1	Joint-Ball End, LH	43	3296-6	1	Nut-Lock
14:3	103-7994	1	Balljoint-RH	44	283-2	1	Pin-Clevis
14:4	3219-3	1	Nut-Hex	45	3219-3	1	Nut-Hex
14:5	3219-20	1	Nut-Hex, LH	46	1-806003	2	Pin-Cotter
15	92-9025	2	Spacer	48	322-3	2	Screw-HH
16	1-303007	2	Washer	49	103-8716-03	1	Switch-Flag
17	32151-48	2	E-Ring	50	103-2916	2	Guard-Top
18	3296-39	2	Nut-Lock, NI	51	98-5975	5	Washer-Belleville
19	323-9	2	Screw-HH	52	109-5491	1	Guide-Belt
20	109-0148	1	Spring-Extension	53	5-0652	1	Spacer

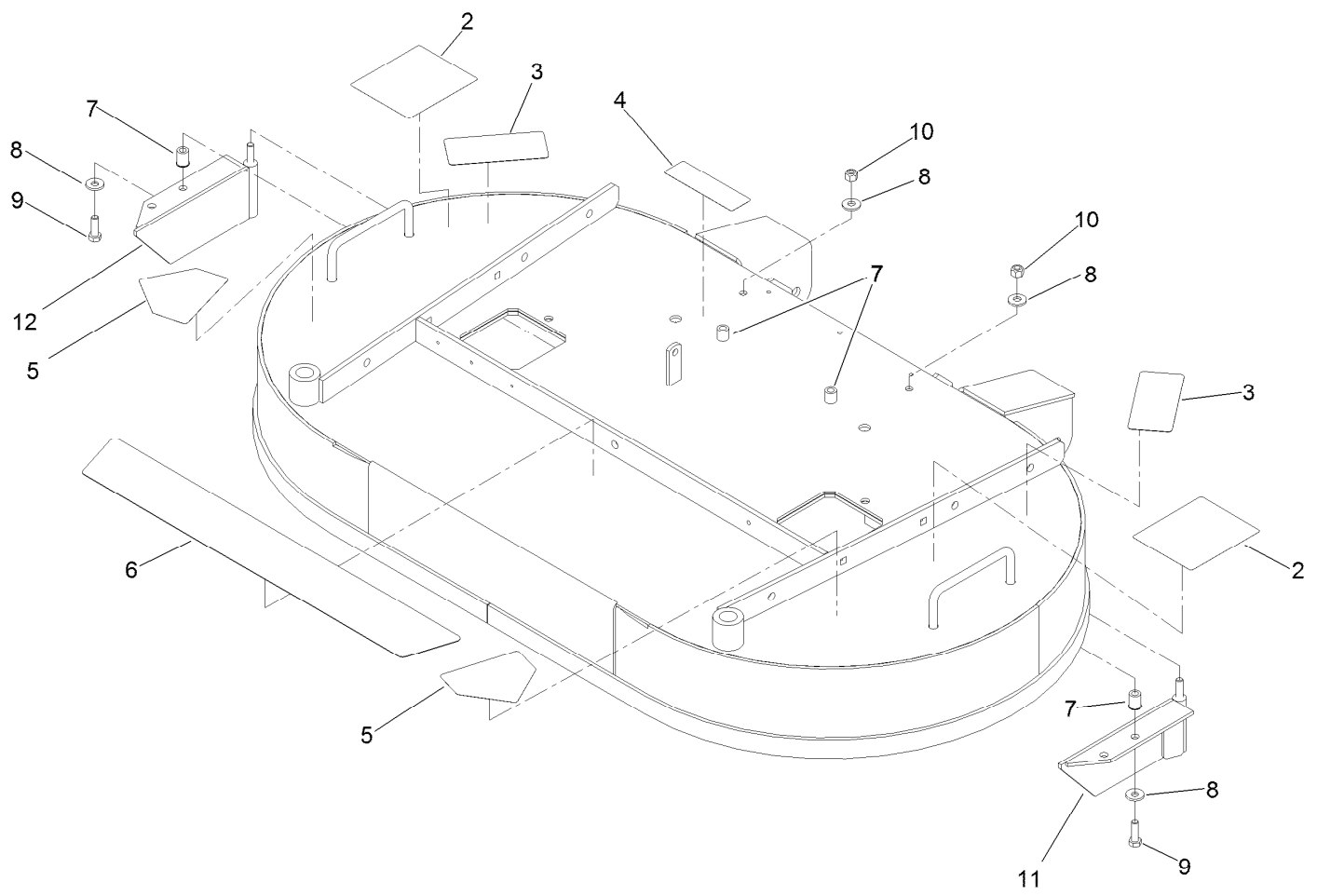
Deck Assembly



Deck Assembly (continued)

<i>Ref.</i>	<i>Part Number</i>	<i>Qty.</i>	<i>Description</i>	<i>Ref.</i>	<i>Part Number</i>	<i>Qty.</i>	<i>Description</i>
1	142-2918	1	Deck-Cutting 42 W/Decals	24	30-8770	2	Washer
2	103-9487	1	Discharge Tube ASM	25	3296-42	4	Nut-Lock, NI
3	109-0321	2	Front Deck Height Adjust ASM	26	92-5816	2	Bolt-Blade
3:1	1-413425	1	Spacer-Deck Support	27	103-3700	2	Roller-Deck
3:2	103-7353	1	Pin-Cut Height	28	103-4230	2	Spacer-Roller
3:3	103-8496	1	Nut-Jam	29	325-14	2	Screw-HH
4	103-3460	1	Gearbox ASM	30	32128-49	2	Nut-HHF
5	130-2894	1	Gearbox Cover ASM	31	323-7	4	Screw-HH
5:2	103-8626	1	Pad-Anti Skid	32	3290-357	4	Nut-HSF
5:3	119-0217	1	Decal-Danger	33	67-7490	1	Key-Square
6	103-8363	1	Deck Latch ASM	34	103-9485	1	Drive Shaft ASM
6:1	103-7994	1	Balljoint-RH	35	3247-2	1	Screw-Set, HSH
6:2	103-8307	1	Latch-Deck	36	323-9	1	Screw-HH
6:3	3219-3	1	Nut-Hex	37	3296-39	1	Nut-Lock, NI
6:4	3296-6	1	Nut-Lock	38	3256-23	3	Washer-Plain
7	109-0322	2	Rear Deck Height Adjust ASM	39	322-3	3	Screw-HH
8	1-803075	3	Screw-Head, Truss	40	103-8841	1	Spring-Extension
9	3296-2	6	Nut-Lock, NI	41	1-513690	1	Clip-Deck, Hold Up Rod
10	116-7842-01	1	Guard-Drive Shaft	42	3290-134	1	Screw
11	322-5	3	Screw-HH	43	103-8610	2	Stand-Off
12	3296-29	3	Nut-Lock, NI	44	1-523420	2	Bumper
13	103-6290-03	1	Strap-Drive, Line Cover	45	321-2	2	Screw-HH
14	103-6183-03	1	Bracket-Guard, PTO	46	142-2236-01	2	Bracket-Latch Pivot
15	103-5979	1	Guard-PTO	47	108-9087	2	Collar-Basket
16	114439	5	Rivet-Blind	48	110-4068	2	Washer-Plastic
17	3256-14	5	Washer-Flat	49	142-2475	2	Latch - Deck
18	1-808280	2	Pin-Clevis	50	75-3960	1	Spring-Torsion, LH (Yellow)
19	1-806003	2	Pin-Cotter	51	75-3970	1	Spring-Torsion, RH
20	103-7705	2	Driver-Blade	52	3256-3	2	Washer-Flat
21	99-0283	4	Bolt-Shear	53	322-7	2	Screw-HH
22	130-2859	1	Blade-22In, RH	54	3230-10	4	Bolt-CARR
23	130-2860	1	Blade-22In, LH	55	119-4041	6	Nut-HF
				56	130-2888	1	Decal

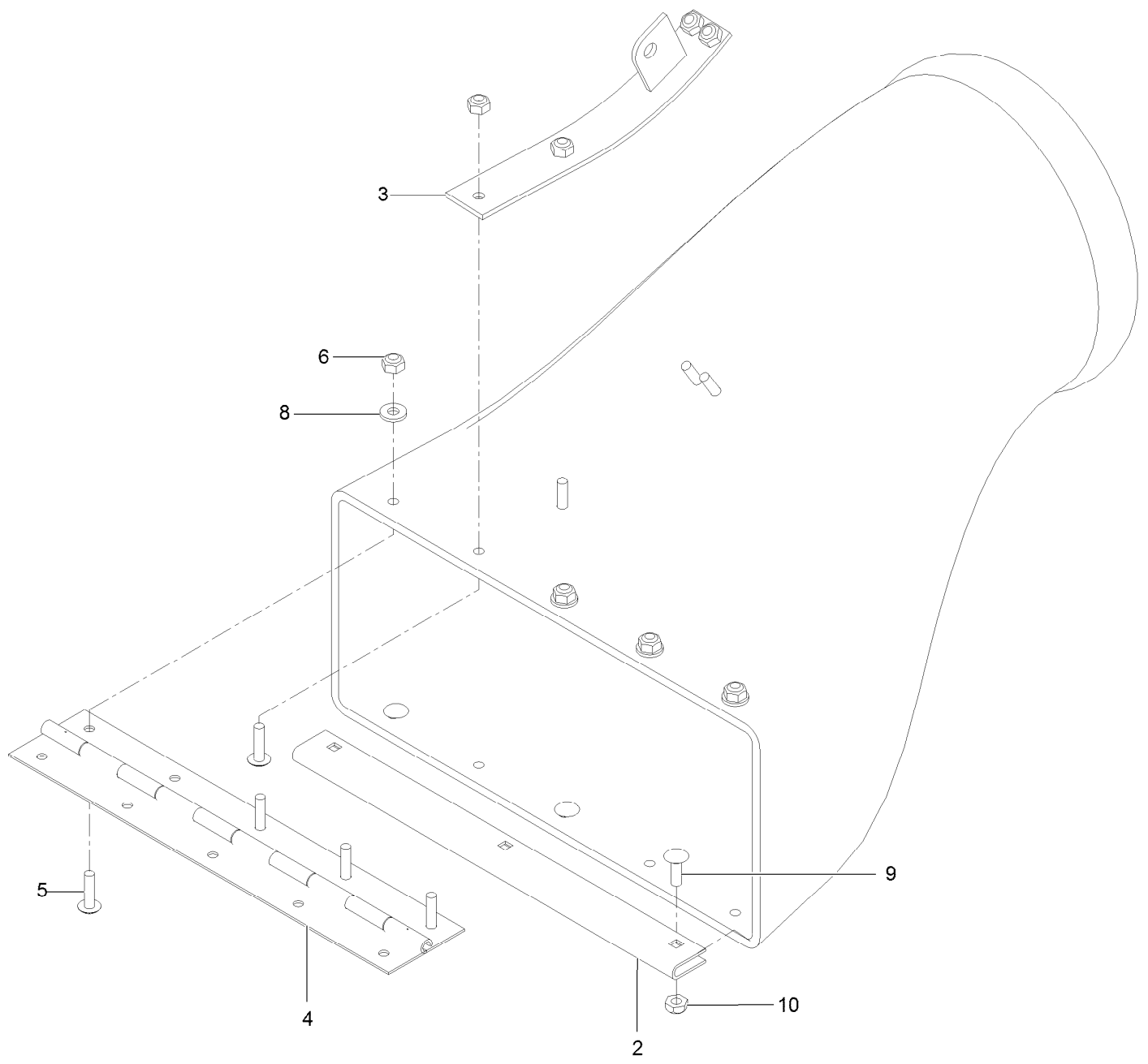
Deck W/Decals Assembly No. 142-2918



Deck W/Decals Assembly No. 142-2918 (continued)

<i>Ref.</i>	<i>Part Number</i>	<i>Qty.</i>	<i>Description</i>	<i>Ref.</i>	<i>Part Number</i>	<i>Qty.</i>	<i>Description</i>
2	116-8934	2	Decal-Height Adjust, Cutting	8	1-303334	4	Washer-Spring
3	93-7818	2	Decal-Torque, Blade Bolt	9	322-5	2	Screw-HH
4	112-9028	1	Decal-Cover, Missing	10	3296-29	2	Nut-Lock, NI
5	112-8760	2	Decal-Danger	11	109-4053-01	1	Baffle-LH
6	103-8667	1	Pad-Anti Skid	12	109-4054-01	1	Baffle-RH
7	32148-7	4	Nut-Clinch				

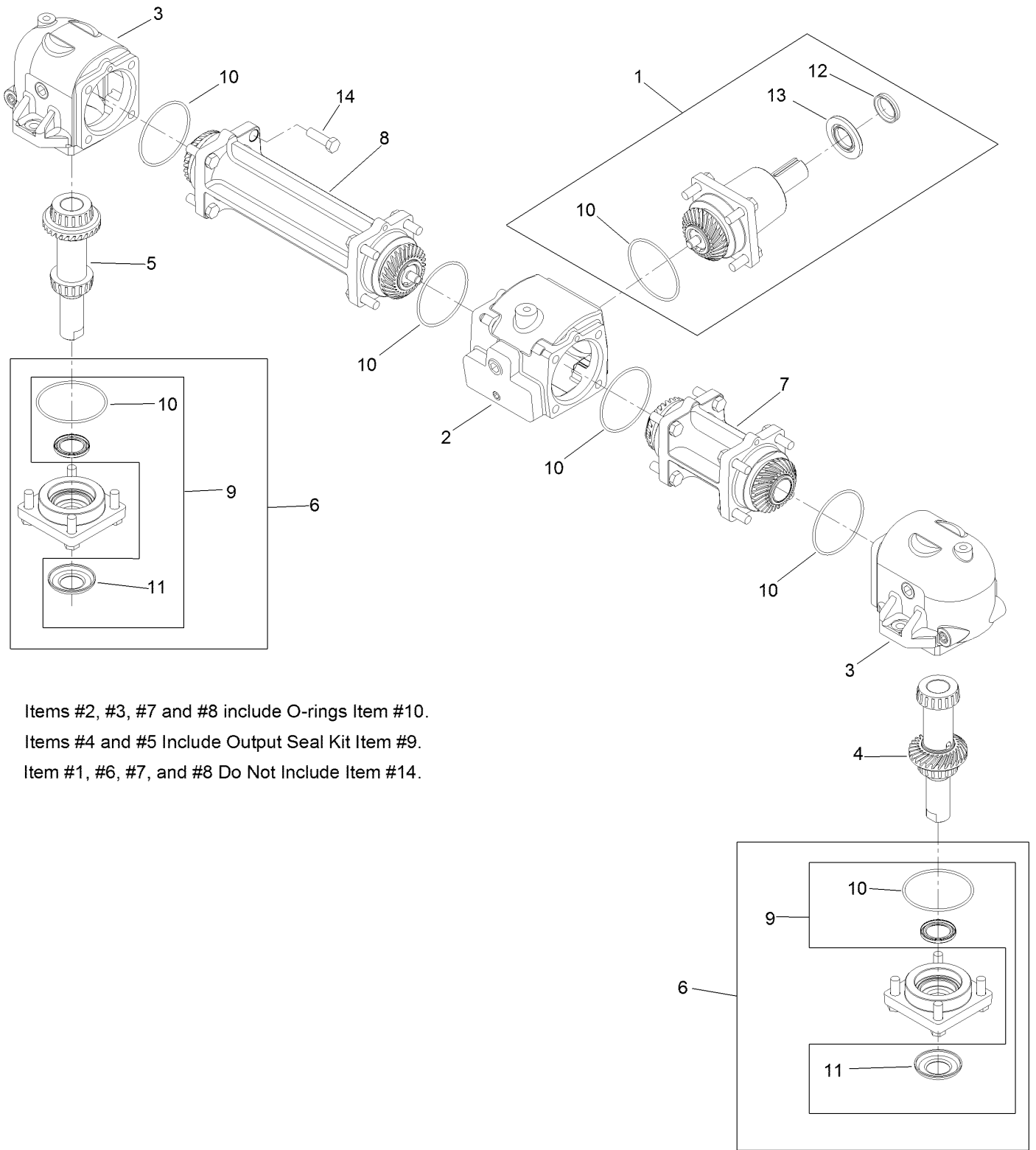
Discharge Tube Assembly No. 103-9487



Discharge Tube Assembly No. 103-9487 (continued)

<i>Ref.</i>	<i>Part Number</i>	<i>Qty.</i>	<i>Description</i>	<i>Ref.</i>	<i>Part Number</i>	<i>Qty.</i>	<i>Description</i>
2	109-2228-03	1	Guard-Plenum	6	3296-2	8	Nut-Lock, NI
3	103-5868-01	1	Mount-Spring	8	3256-14	4	Washer-Flat
4	139-4460	1	Hinge-Piano	9	1-807533	3	Bolt-CARR
5	1-803075	8	Screw-Head, Truss	10	3296-12	3	Nut-Lock, NI

Gearbox Assembly No. 103-3460



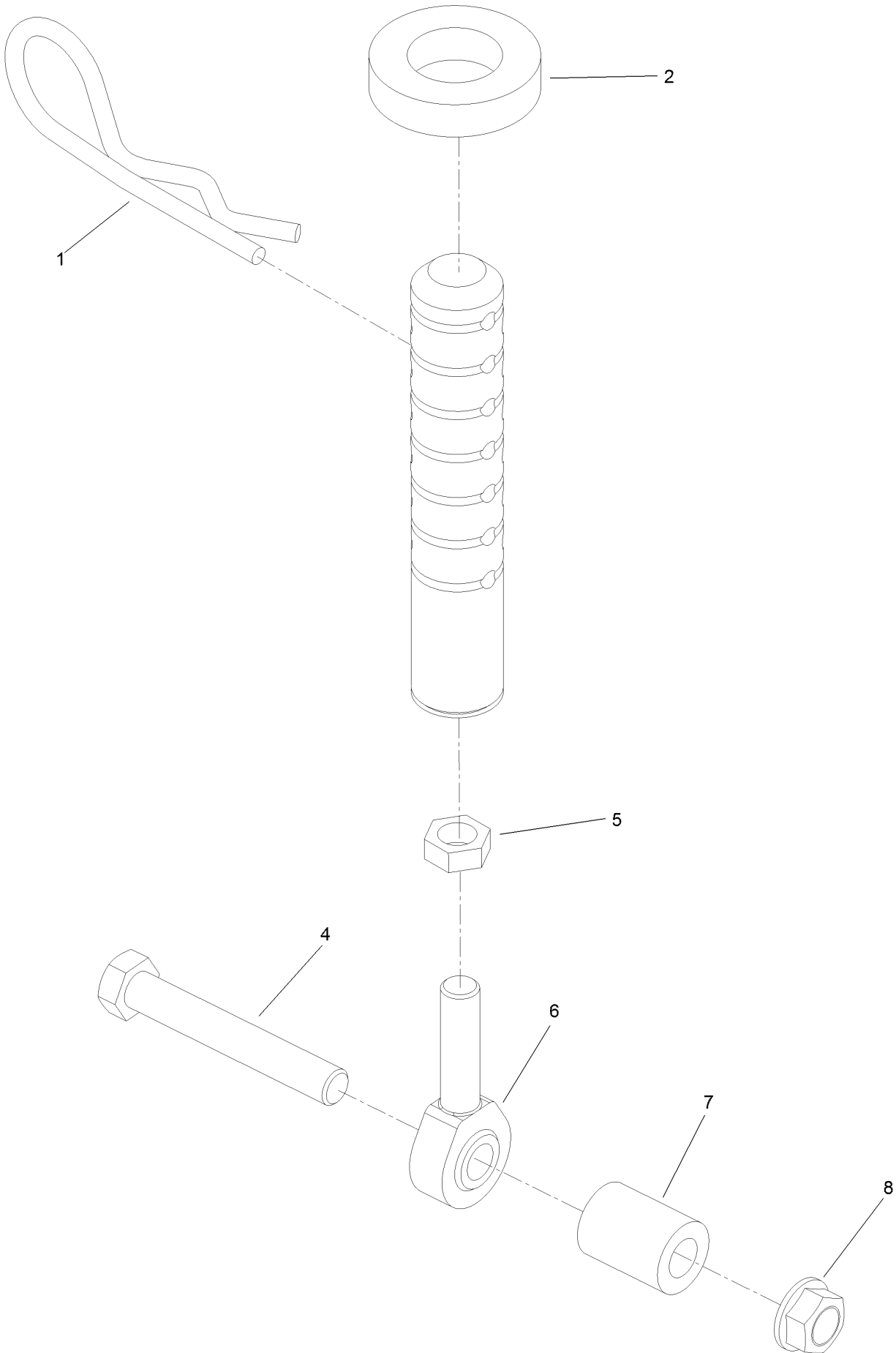
Items #2, #3, #7 and #8 include O-rings Item #10.
 Items #4 and #5 Include Output Seal Kit Item #9.
 Item #1, #6, #7, and #8 Do Not Include Item #14.

Gearbox Assembly No. 103-3460 (continued)

<i>Ref.</i>	<i>Part Number</i>	<i>Qty.</i>	<i>Description</i>	<i>Ref.</i>	<i>Part Number</i>	<i>Qty.</i>	<i>Description</i>
1	109-0188	1	Input Pinion ASM	7	109-0197	1	Tube-Connector, Short
2	109-0190	1	Housing-Center	8	109-0199	1	Tube-Connector, Long
3	109-0191	1	Housing-End	9	109-0201	1	Output Seal Kit
4	109-0192	1	LH Output Shaft And Gear ASM	10	109-0203	1	Seal-O-Ring
5	109-0194	1	RH Output Shaft And Gear ASM	11	109-0204	1	Washer-Cupped
6	109-0196	1	Cap-Output	12	109-0205	1	Seal-V-Ring ●
				13	109-0202	1	Seal-Input ●
				14	93-3987	28	Bolt-Blade

● Apply bead of Mobil HTS grease (P/N 103-5217 1.5 oz packet) (or a food-grade anti-seize) between input seal and v-ring.

Rear Deck Height Adjustment Assembly No. 109-0322

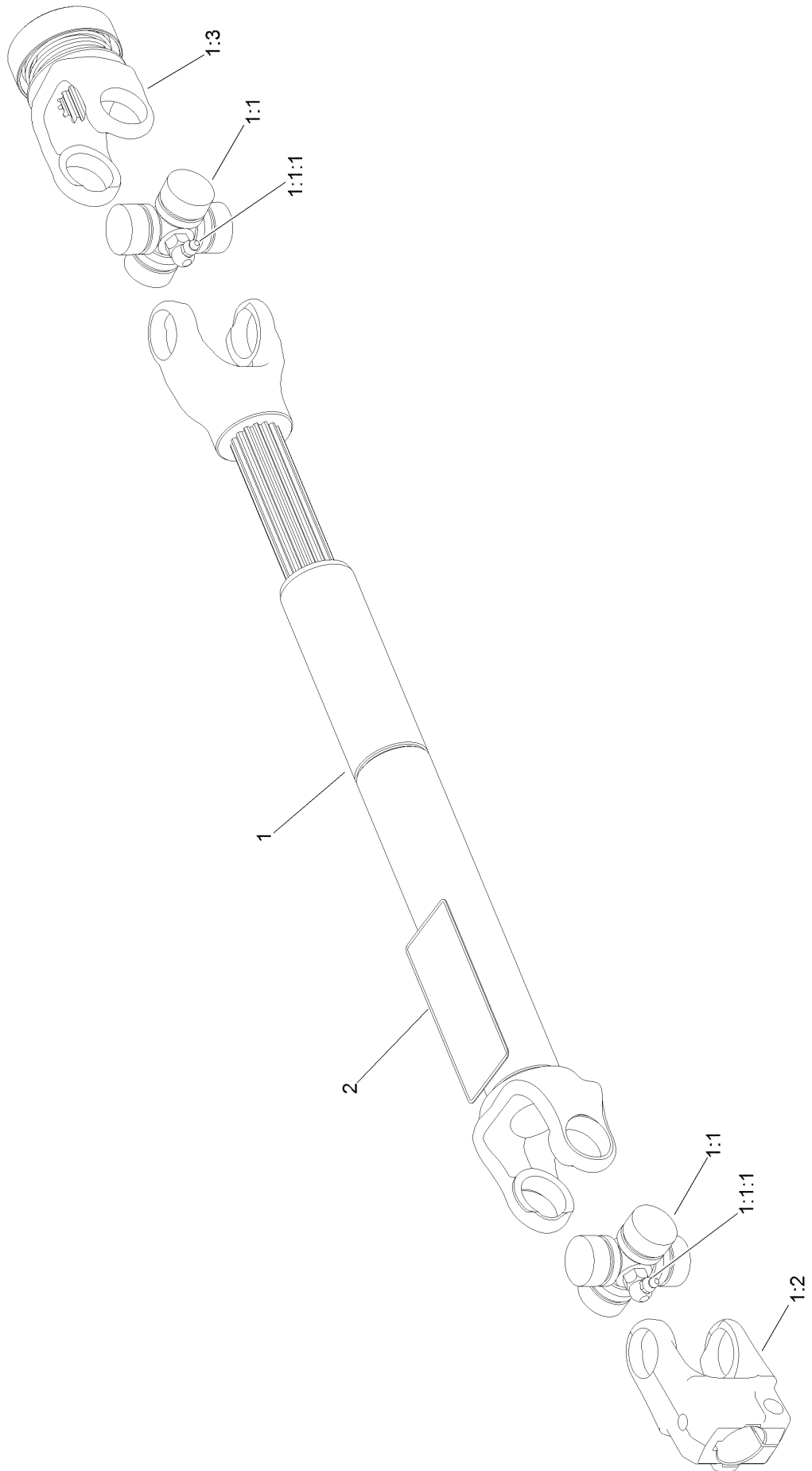


Rear Deck Height Adjustment

Assembly No. 109-0322 (continued)

<i>Ref.</i>	<i>Part Number</i>	<i>Qty.</i>	<i>Description</i>	<i>Ref.</i>	<i>Part Number</i>	<i>Qty.</i>	<i>Description</i>
1	103-7353	1	Pin-Cut Height	6	1-613204	1	Balljoint
2	1-413425	1	Spacer-Deck Support	7	106-5620	1	Tube-Interlock
4	323-11	1	Screw-HH	8	3290-357	1	Nut-HSF
5	3220-3	1	Nut-HJ				

Drive Shaft Assembly No. 103-9485

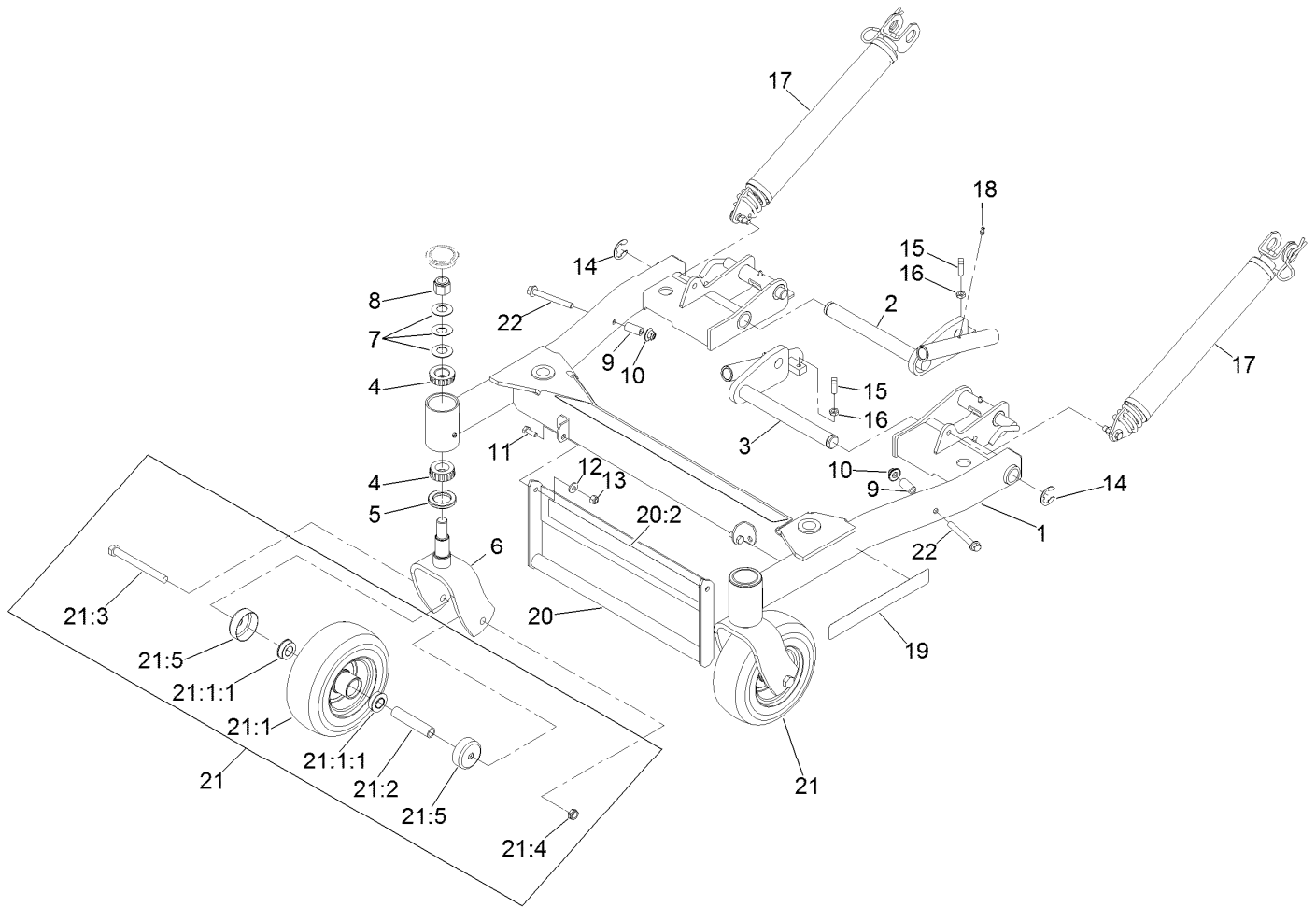


Drive Shaft Assembly No. 103-9485 (continued)

<i>Ref.</i>	<i>Part Number</i>	<i>Qty.</i>	<i>Description</i>	<i>Ref.</i>	<i>Part Number</i>	<i>Qty.</i>	<i>Description</i>
1		1	Drive Shaft-Telescoping ●	1:2	103-9328	1	Yoke-Keyed
1:1	54-9180	2	U-Joint Kit	1:3	103-9329	1	Yoke-Quick Disconnect
1:1:1	62-3820	1	Fitting-Grease	2	116-9049	1	Decal-Danger, Driveline

● Not serviced separately

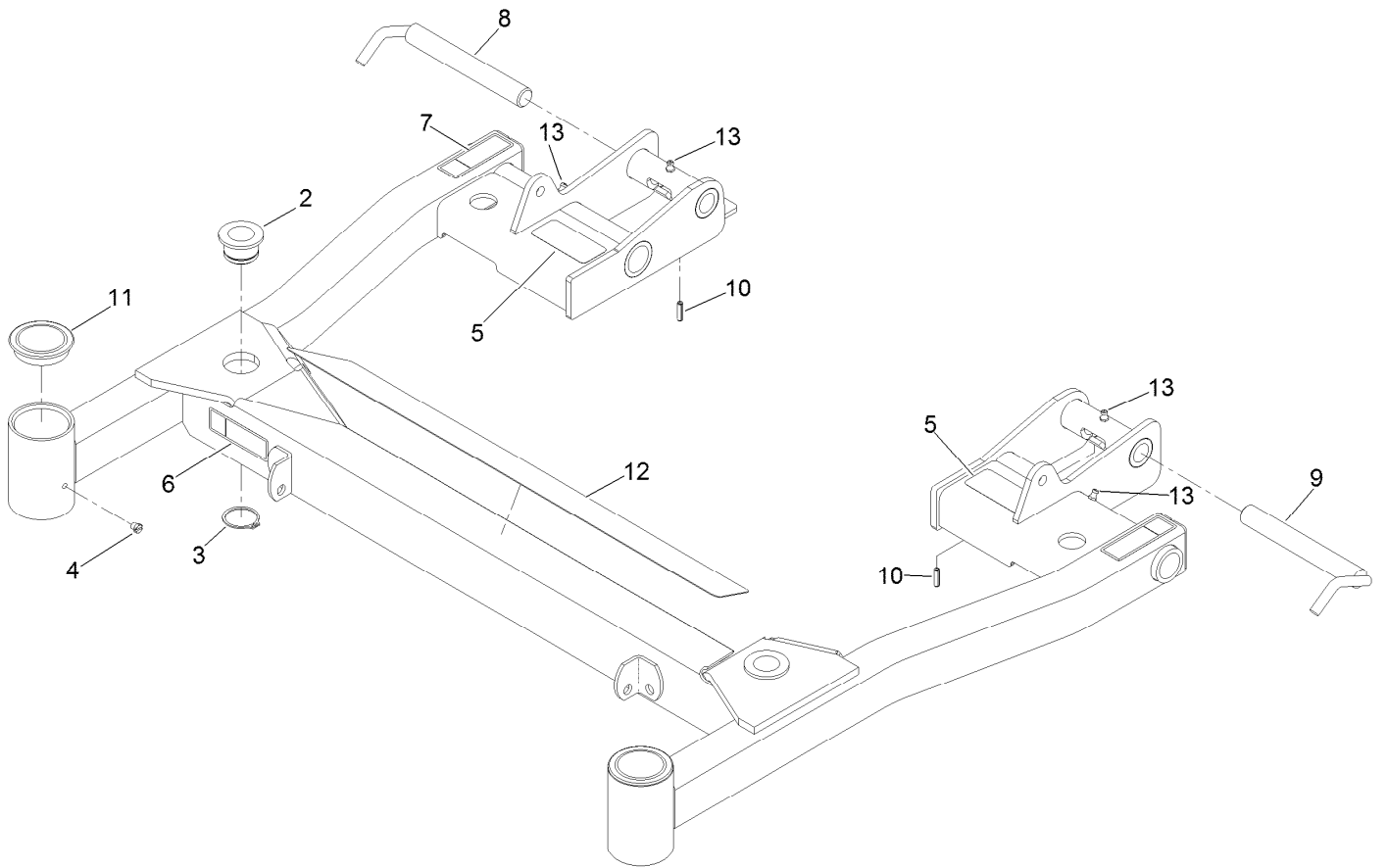
Deck Support Frame Assembly



Deck Support Frame Assembly (continued)

<i>Ref.</i>	<i>Part Number</i>	<i>Qty.</i>	<i>Description</i>	<i>Ref.</i>	<i>Part Number</i>	<i>Qty.</i>	<i>Description</i>
1	142-2910	1	Frame-Deck Support W/Decals	15	3243-5	2	Screw-Set, SQH
2	103-3729-01	1	Pivot-Deck, RH	16	3218-3	2	Nut-Jam
3	103-3732-01	1	Pivot-Deck, LH	17	116-7850	2	Lift Assist Spring ASM
4	1-543509	4	Bearing-Roller, Tapered	18	302-19	2	Fitting-Grease
5	1-543511	2	Seal-Grease	19	130-2884	2	Decal
6	109-1933-01	2	Fork-Caster	20	130-2897	1	Deck Lift Handle ASM
7	1-633508	6	Washer-Bellville	20:2	130-2883	1	Decal
8	3296-51	2	Nut-Lock, NI	21	135-5967	2	Wheel And Axle ASM
9	108-6544	2	Spacer	21:1	135-5964	1	Wheel And Tire ASM
10	109-6658	2	Nut-Flange, NI	21:1:1	135-5963	2	Bearing-Ball
11	322-4	2	Screw-HH	21:2	109-2094	1	Spacer-Caster, Front
12	1-303334	2	Washer-Spring	21:3	325-19	1	Screw-HH
13	3296-29	2	Nut-Lock, NI	21:4	3296-45	1	Nut-Hex
14	1-808519	2	Ring-Snap	21:5	103-2768	2	Guard-Seal
				22	3234-41	2	Screw-HHF

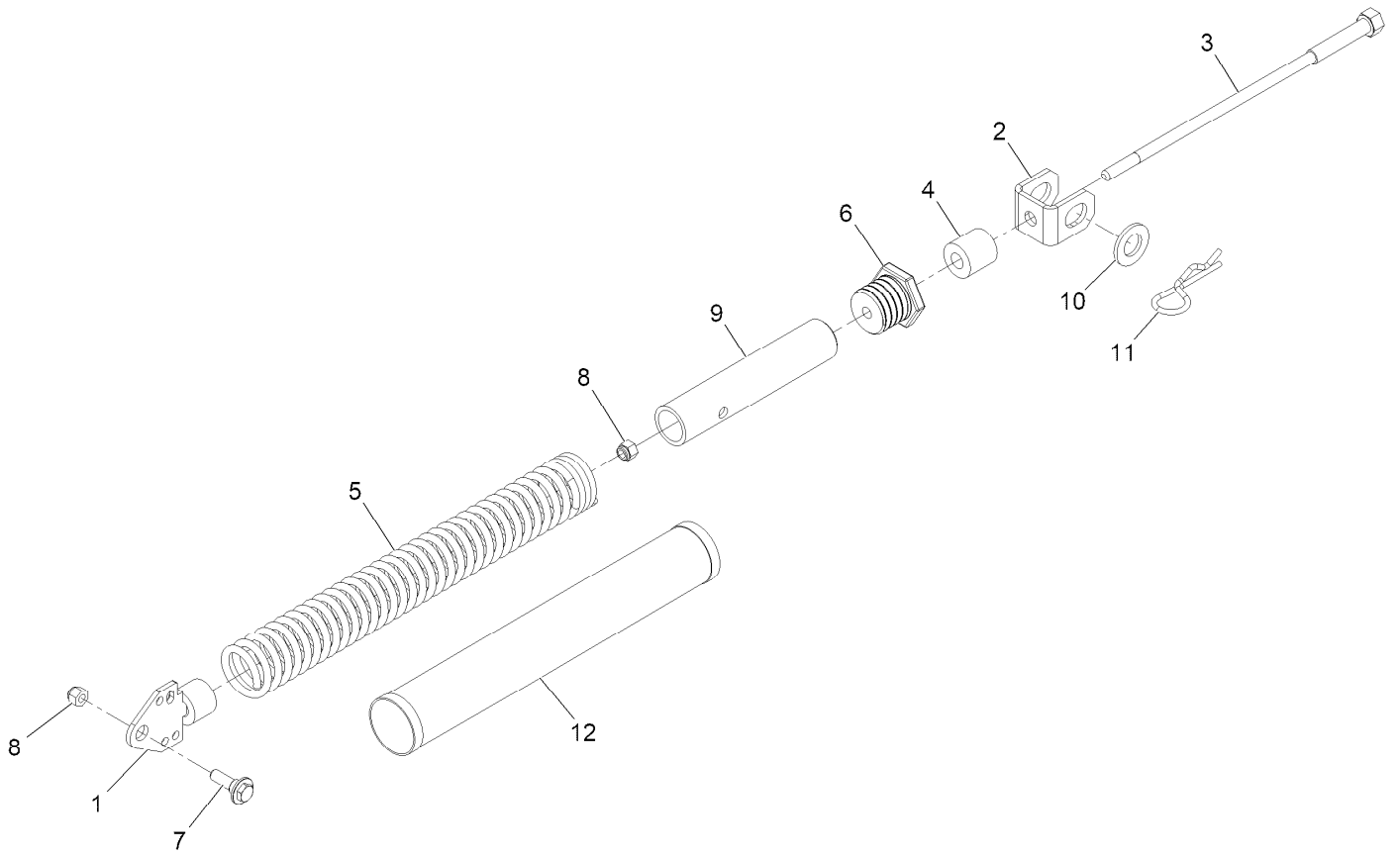
Deck Support W/Decals Assembly No. 142-2910



Deck Support W/Decals Assembly No. 142-2910 (continued)

<i>Ref.</i>	<i>Part Number</i>	<i>Qty.</i>	<i>Description</i>	<i>Ref.</i>	<i>Part Number</i>	<i>Qty.</i>	<i>Description</i>
2	103-7436	2	Bushing-Support, Deck	8	103-4119	1	Lock-Deck, RH
3	32120-33	2	Ring-Retaining	9	103-4118	1	Lock-Deck, LH
4	1-811010	2	Plug	10	32121-3	2	Pin-Spring
5	93-6696	2	Decal-Warning	11	103-4882	2	Cap-Grease
6	116-8936	1	Decal-Danger	12	103-8667	1	Pad-Anti Skid
7	116-8935	2	Decal-Warning, Folding Deck	13	302-19	4	Fitting-Grease

Spring Lift Assist Assembly



Spring Lift Assist Assembly (continued)

<i>Ref.</i>	<i>Part Number</i>	<i>Qty.</i>	<i>Description</i>	<i>Ref.</i>	<i>Part Number</i>	<i>Qty.</i>	<i>Description</i>
1	103-4284	1	Tensioner-Spring	8	3296-39	2	Nut-Nyloc 3/8-16
2	103-4285	1	Mount-Lift Assist, Deck	9	103-7865	1	Spring-Tube
3	103-3773	1	Shaft-Adjustment, Spring	10	3256-28	1	Washer-3/4 SAE
4	109-1978	1	Spacer	11	103-7353	1	Pin-Cut Height
5	103-4281	1	Spring-Extension	12	161-6766	1	Cover-Spring, Deck
6	103-3772	1	Plug-Adjuster, Spring				
7	614672	1	Screw-Shoulder 3/8-16 X 1.295				

Attachments and Accessories

For 74318 — Z Master 42in 8000 Series Riding Mower

Product Name	Model/Part
Mulch Kit.....	130-8460
22in LH Mulching Blade	130-8461
22in RH Mulching Blade	130-8462
Hypr-Oil 500 (quart).....	114-4713
Hypr-Oil 500 (gallon).....	114-4714
Light Kit[NAV-8000 Series]	135-7625
Hypr-Oil 500-5 (5 gallon).....	114-4715
Automatic Door Opener Kit.....	130-8470
Hopper Power Dump Kit	130-8458
Suspension Seat Kit	130-8471
Removable Grass Tubs Kit	130-8457
Dual Split Caster Kit.....	130-8455
ROPS Kit	130-8459
Winter Hydraulic Filter	1-633752
MVP Kit.....	130-8467
ROPS Pin Kit	126-1339
Hopper Latch Kit.....	130-8488

Notes:



Count on it.