



Count on it.

Parts Catalog

eDingo® TX 750

Wide Track Compact Tool Carrier

Model No. 22231—Serial No. 420000000 and Up



Ordering Replacement Parts

To order replacement parts, please supply the part number, the quantity, and the description of each part desired.

Understanding Reference Numbers

Each identified part in an illustration has a reference number. The reference number for a part also appears in the parts list, along with other information about the part.

This catalog uses two special reference number formats, one to indicate parts in a service assembly and another to indicate the quantity of a given part in an illustration.

Service Assembly Reference Numbers

Parts in service assemblies have reference numbers in the form a:b. The a represents the reference number of the entire service assembly and the b represents a sequential number unique to each part within the service assembly.

For example, a wheel assembly might be identified by reference number 6, the tire by 6:1, the valve by 6:2, and the wheel by 6:3. When you order the assembly identified by reference number 6, you receive all parts identified by reference numbers 6:1, 6:2, and 6:3. However, you may also order any part individually. Reference numbers of this type appear in illustration and in parts lists.

Reference Numbers Indicating Quantity

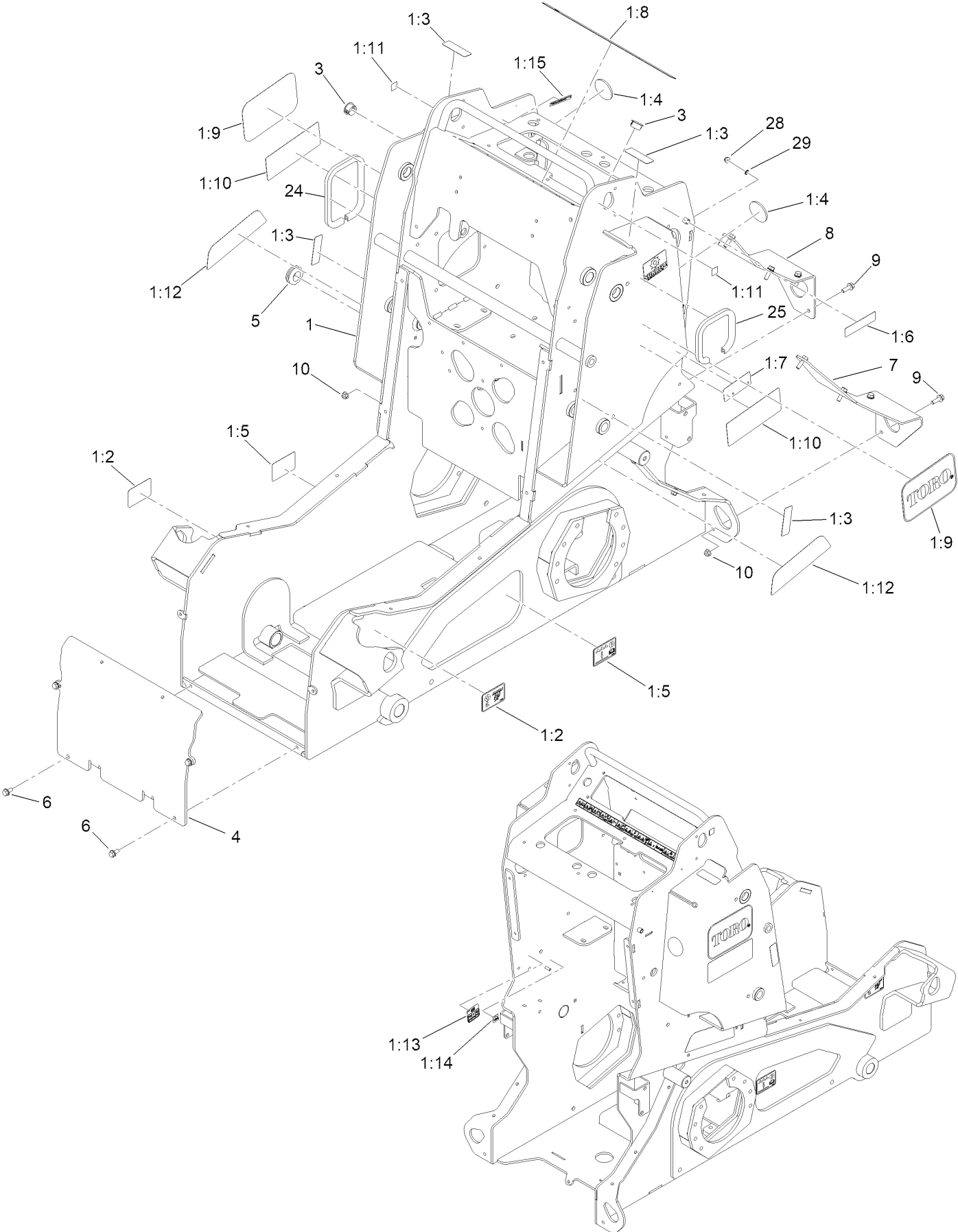
In an illustration, if a reference number indicates more than one part, the reference number has the form nX y. The n represents the quantity of the part, the X is the multiplication symbol, and the y represents the reference number.

For example, in an illustration, the reference number 2X 37 means that two of the parts identified by reference number 37 are indicated.

Contents

Main Frame Assembly	4
Track Assembly	6
Left Hand Track Assembly No. 147-2526	8
Right Hand Track Assembly No. 147-2527	10
Electric Auxiliary Controls Assembly	12
Motor and Drive Assembly	14
Cooling and Charging Assembly	16
Control Valve Assembly	18
Control Valve Assembly No. 161-8001	20
Hydraulic Tank, Motor and Gear Pump Assembly	22
Controls Assembly	24
Loader Arm Assembly	26
Hydraulic Cylinder Assembly No. 140-2974	28
Hydraulic Cylinder Assembly No. 161-7969	30
Platform Assembly	32
Hoods and Covers Assembly	34
Electrical Routing Assembly	36
Main Wire Harness Assembly No. 122-3702	38
Battery Assembly	40
Attachments and Accessories	42

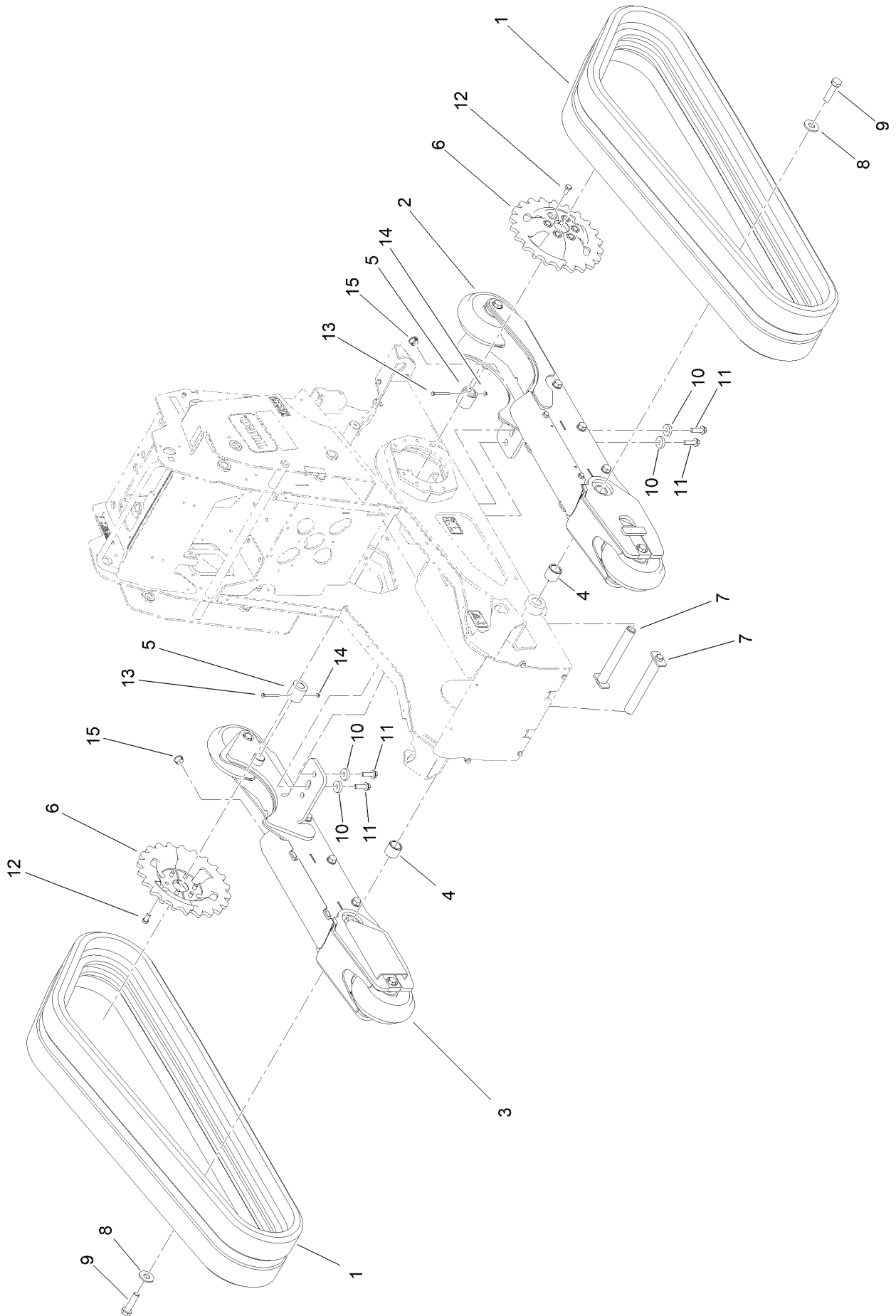
Main Frame Assembly



Main Frame Assembly (continued)

<i>Ref.</i>	<i>Part Number</i>	<i>Qty.</i>	<i>Description</i>	<i>Ref.</i>	<i>Part Number</i>	<i>Qty.</i>	<i>Description</i>
1	147-2521	1	Main Frame ASM,	1:15	133-8061	1	Decal-Warning
1:2	125-6139	2	Decal-Lift/Tie Down	3	127-1842	2	Plug-Dome, Thick
1:3	120-0625	4	Decal-Warning	4	147-2490-05	1	Plate-Cover,Front
1:4	139-1937	2	Reflector-Red	5	237-165	1	Grommet
1:5	139-7709	2	Decal-Water Level	6	32144-14	4	Screw-HWHTF
1:6	145-1175	1	Decal-Service, Shut-Off	7	161-7995-01	1	Fender-LH
1:7	161-2443	1	Decal-Charging	8	161-7996-01	1	Fender-RH
1:8	161-8010	1	Decal-Safety	9	3234-29	8	Screw-HHF
1:9	145-0609	2	Decal-Toro Logo	10	104-8300	8	Nut-HF, NI
1:10	161-8013	2	Decal-Edingo Tx750	24	161-8037	1	Trim-Seal,
1:11	93-9084	2	Decal-Point, Lift	25	161-8043	1	Trim-Seal,
1:12	145-1172	2	Decal-Hypercell	28	104-7201	1	Nut-HF, NI
1:13	161-8028	1	Decal-Fuses	29	3255-7	1	Washer-Lock/EXT
1:14	125-1414	1	Decal-Ground, Earth				

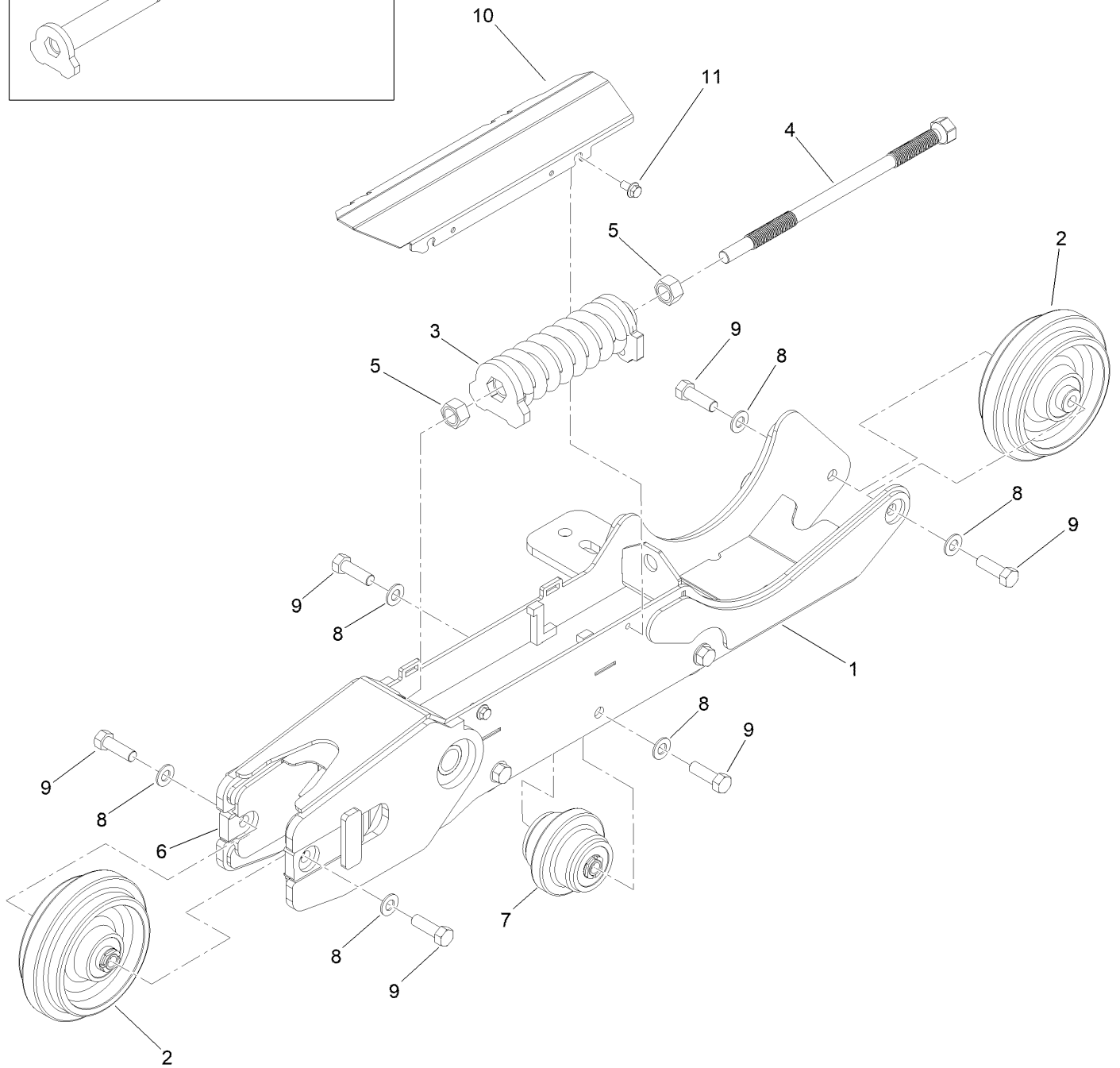
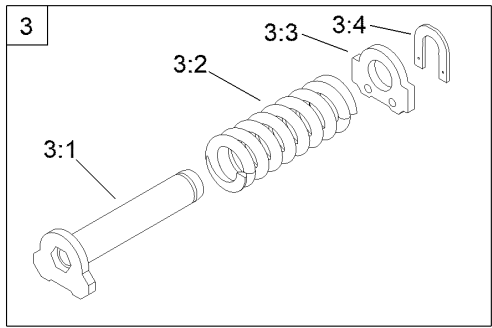
Track Assembly



Track Assembly (continued)

<i>Ref.</i>	<i>Part Number</i>	<i>Qty.</i>	<i>Description</i>	<i>Ref.</i>	<i>Part Number</i>	<i>Qty.</i>	<i>Description</i>
1	138-0777	2	Track-Wide,	9	328-25	2	Screw-HH
2	147-2526	1	LH Track ASM	10	99-1291	4	Spacer
3	147-2527	1	RH Track ASM	11	3234-22	4	Screw-HHF
4	161-7963	2	Spacer	12	161-8025	12	Screw-HH
5	161-7964	2	Tube-Wt	13	321-15	2	Screw-HH
6	163-1255	4	Sprocket-Drive, Wt	14	104-7201	2	Nut-HF, NI
7	140-1687	2	Shaft-Front,Track	15	127-1842	2	Plug-Dome, Thick
8	99-2659	2	Washer				

Left Hand Track Assembly No. 147-2526



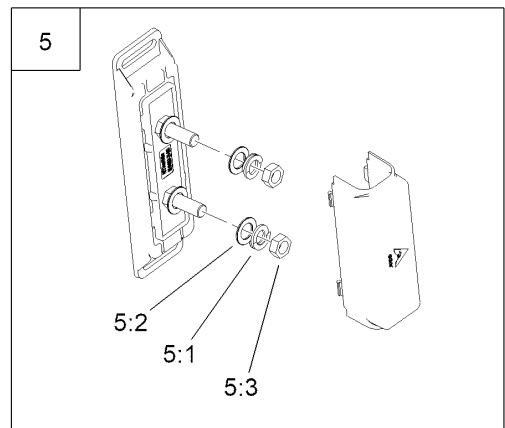
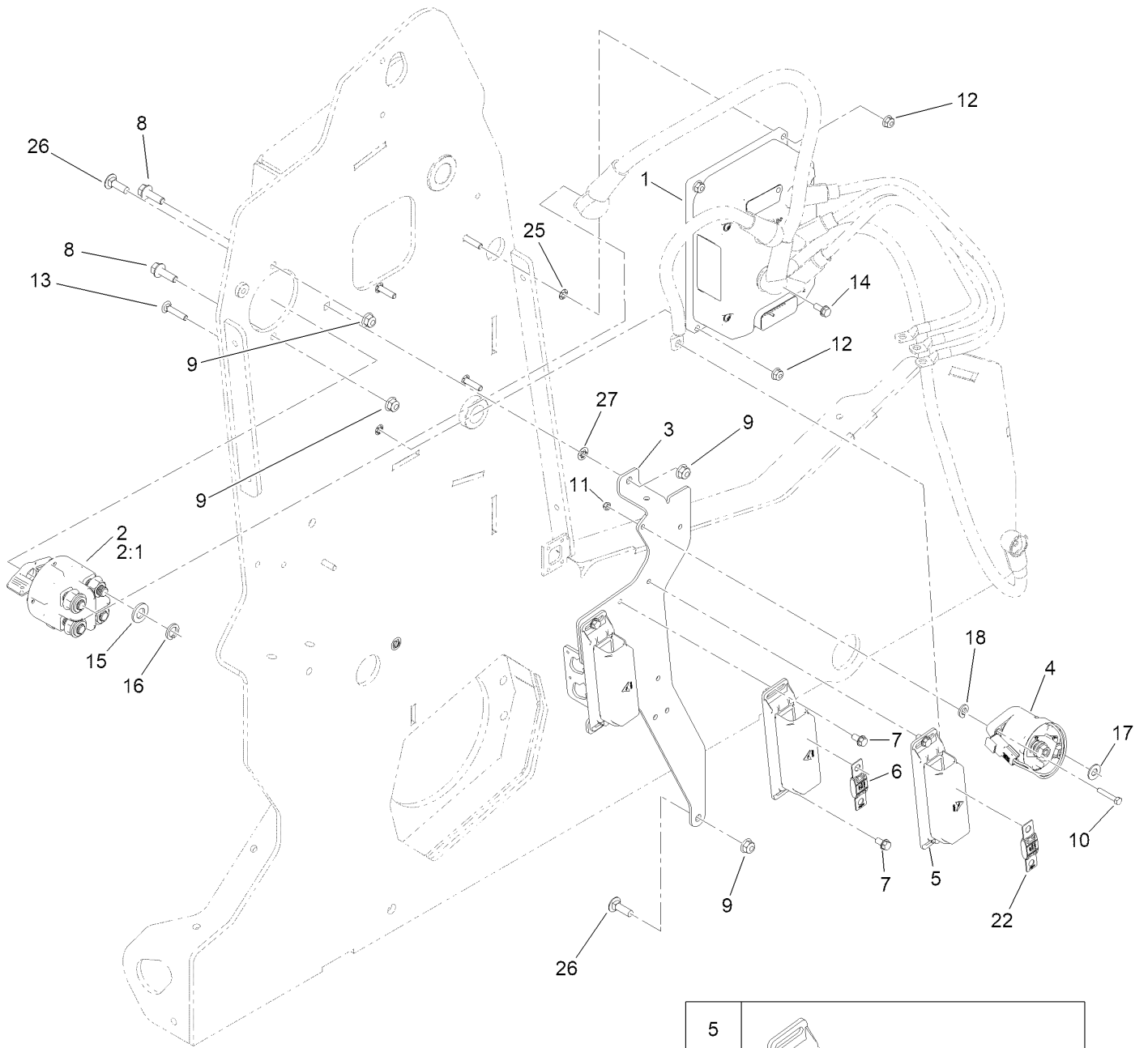
Left Hand Track Assembly No. 147-2526 (continued)

<i>Ref.</i>	<i>Part Number</i>	<i>Qty.</i>	<i>Description</i>	<i>Ref.</i>	<i>Part Number</i>	<i>Qty.</i>	<i>Description</i>
1	147-2506-05	1	LH Track Frame ASM, [blk-Txt]	4	139-7298	1	Screw-Tensioner
2	137-8807	2	Tensioner Wheel ASM	5	3217-15	2	Nut-Hex
3	140-5872	1	Kit-Spring Tension	6	139-7301	1	Yoke-Tensioner
3:1	139-7296	1	Shaft-Spring	7	137-8808	3	Wheel ASM,
3:2	139-7297	1	Spring-Compression	8	119-1868	10	Washer
3:3	139-7299	1	Plate-Cap	9	111-3484	10	Screw-HH
3:4	139-7300	1	Plate-Clip	10	147-8417-05	1	Plate-Cover,RH
				11	93-2569	2	Screw-HHF

Right Hand Track Assembly No. 147-2527 (continued)

<i>Ref.</i>	<i>Part Number</i>	<i>Qty.</i>	<i>Description</i>	<i>Ref.</i>	<i>Part Number</i>	<i>Qty.</i>	<i>Description</i>
1	147-2507-05	1	RH Track Frame ASM, [blk-Txt]	4	139-7298	1	Screw-Tensioner
2	137-8807	2	Tensioner Wheel ASM	5	3217-15	2	Nut-Hex
3	140-5872	1	Kit-Spring Tension	6	139-7301	1	Yoke-Tensioner
3:1	139-7296	1	Shaft-Spring	7	137-8808	3	Wheel ASM,
3:2	139-7297	1	Spring-Compression	8	119-1868	10	Washer
3:3	139-7299	1	Plate-Cap	9	111-3484	10	Screw-HH
3:4	139-7300	1	Plate-Clip	10	147-8433-05	1	Plate-Cover,LH
				11	93-2569	2	Screw-HHF

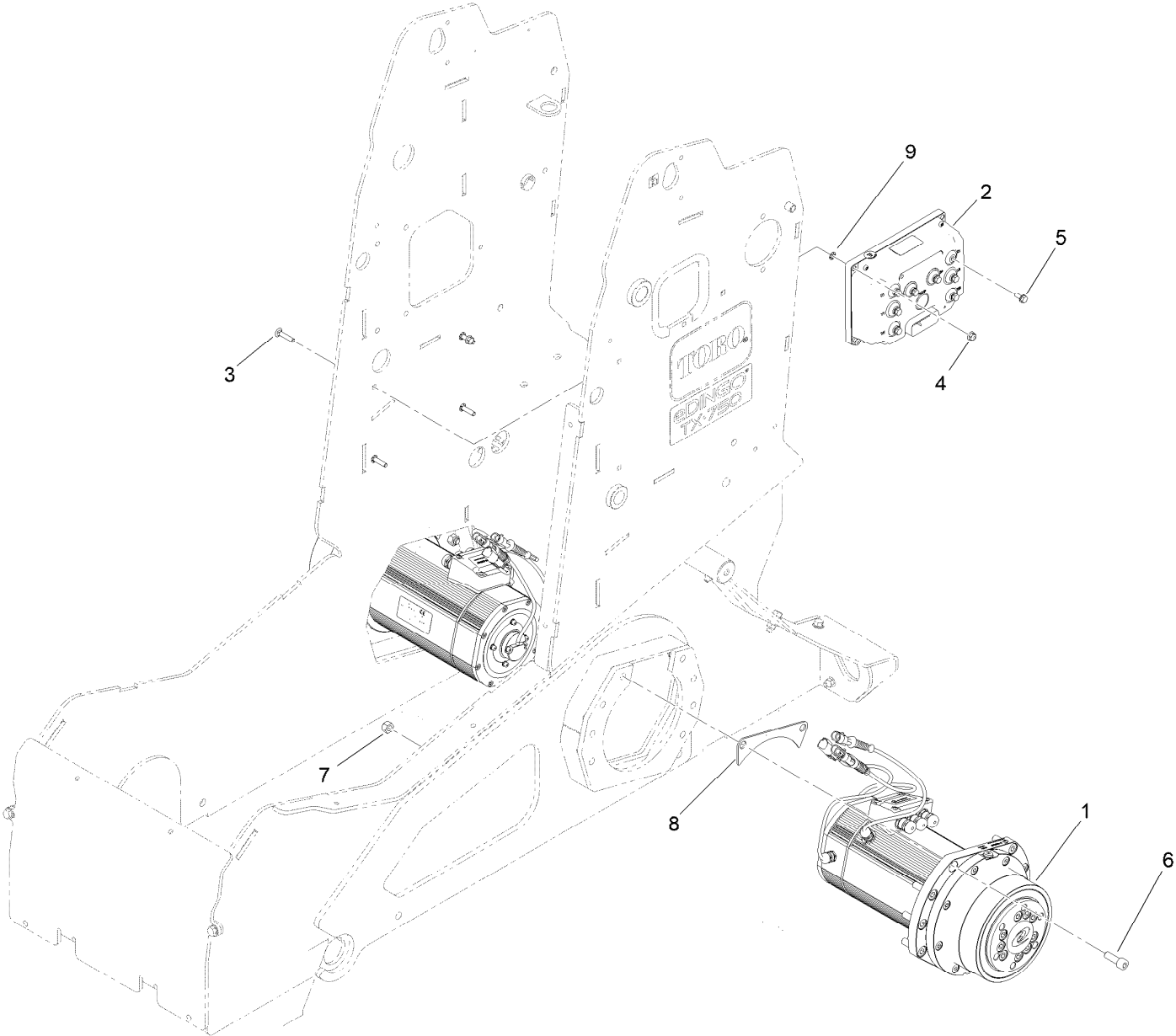
Electric Auxiliary Controls Assembly



Electric Auxiliary Controls Assembly (continued)

<i>Ref.</i>	<i>Part Number</i>	<i>Qty.</i>	<i>Description</i>	<i>Ref.</i>	<i>Part Number</i>	<i>Qty.</i>	<i>Description</i>
1	147-5068	1	Inv/Ctrlr-48V	10	87-5150	2	Screw-HH
2	122-0603	1	Switch-Disconnect	11	87-5140	2	Nut-Lock
2:1	33006-00	1	Nut-HF	12	119-4040	4	Nut-HF, NI
3	161-8019-05	1	Fuse Mount Bracket ASM, [blk-Txt]	13	3229-3	4	Screw-CARR
4	122-2594	1	Contactora-48V	14	145-5782	5	Screw-Sems
5	145-4958	3	Holder-Fuse	15	147-3238	4	Washer-Flat
5:1	3253-4	2	Washer-Lock	16	HDW14457	4	Split Lock Washer,1/2,ST/ST,18-8
5:2	3256-74	4	Washer-Flat	17	107-0279	2	Washer
5:3	33014-00	4	Nut-Hex	18	107-0280	2	Washer-Lock
6	122-2959	1	Fuse-350A	22	122-2630	2	Fuse-250A
7	32144-4	6	Screw-HWH	25	1-803037	4	Nut-Retaining
8	3234-17	2	Screw-HHF	26	110-3144	2	Bolt-CARR
9	104-8300	4	Nut-HF, NI	27	109-5667	2	Nut-Push

Motor and Drive Assembly

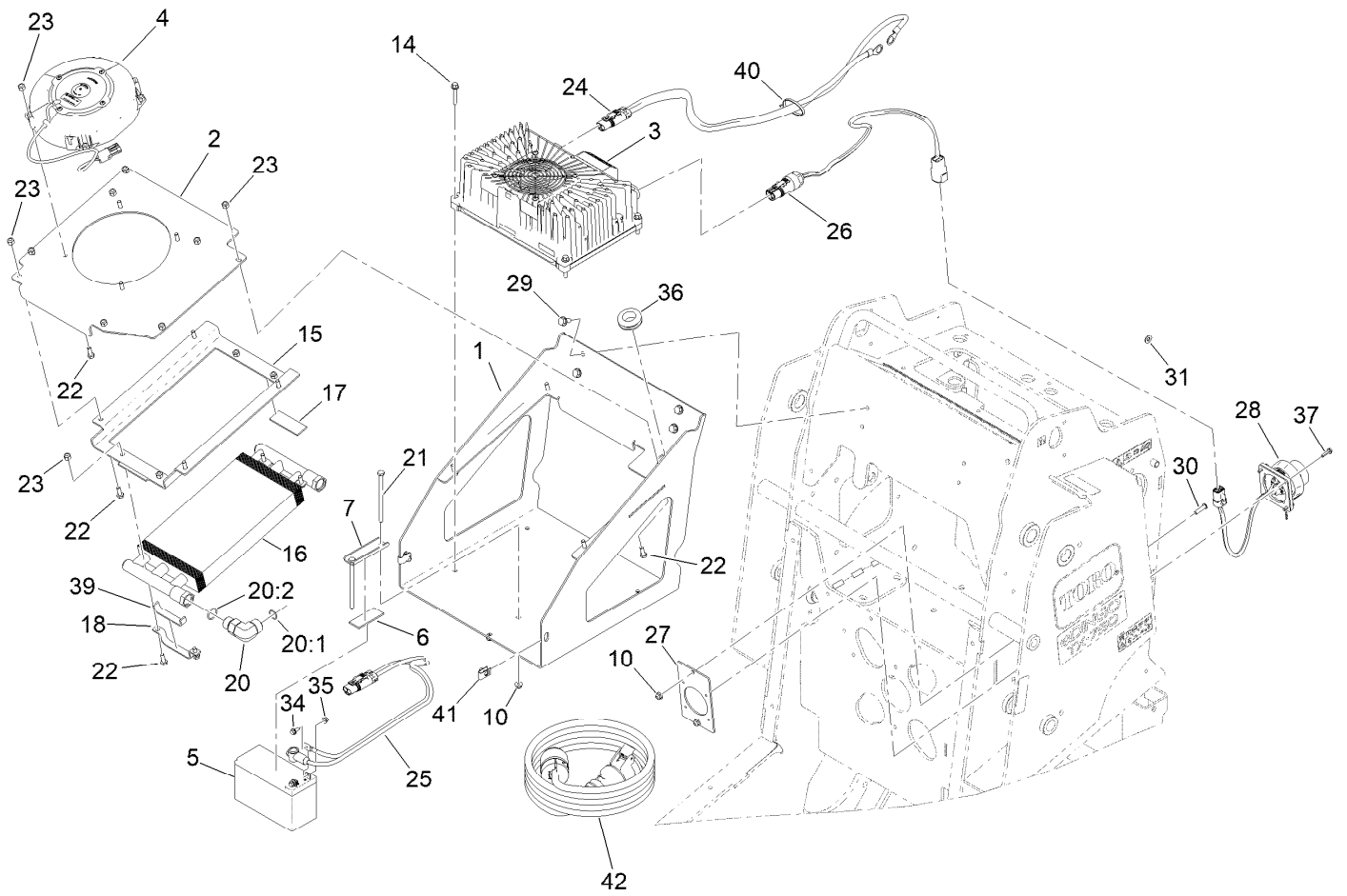


Motor and Drive Assembly (continued)

<i>Ref.</i>	<i>Part Number</i>	<i>Qty.</i>	<i>Description</i>	<i>Ref.</i>	<i>Part Number</i>	<i>Qty.</i>	<i>Description</i>
1	161-8000	2	Traction Motor ASM	5	145-5782	8	Screw-Sems
1:1	147-9107	1	Cassette Seal Ring ●	6	AU862-10030	16	Screw-HSH
2	138-8984	1	Inv/Ctrlr-48V, Dual 94Arms	7	33025-00	16	Nut-Lock, NI
3	3229-3	4	Screw-CARR	8	161-8039	2	Plate-Span,
4	119-4040	4	Nut-HF, NI	9	1-803037	4	Nut-Retaining

● Not illustrated

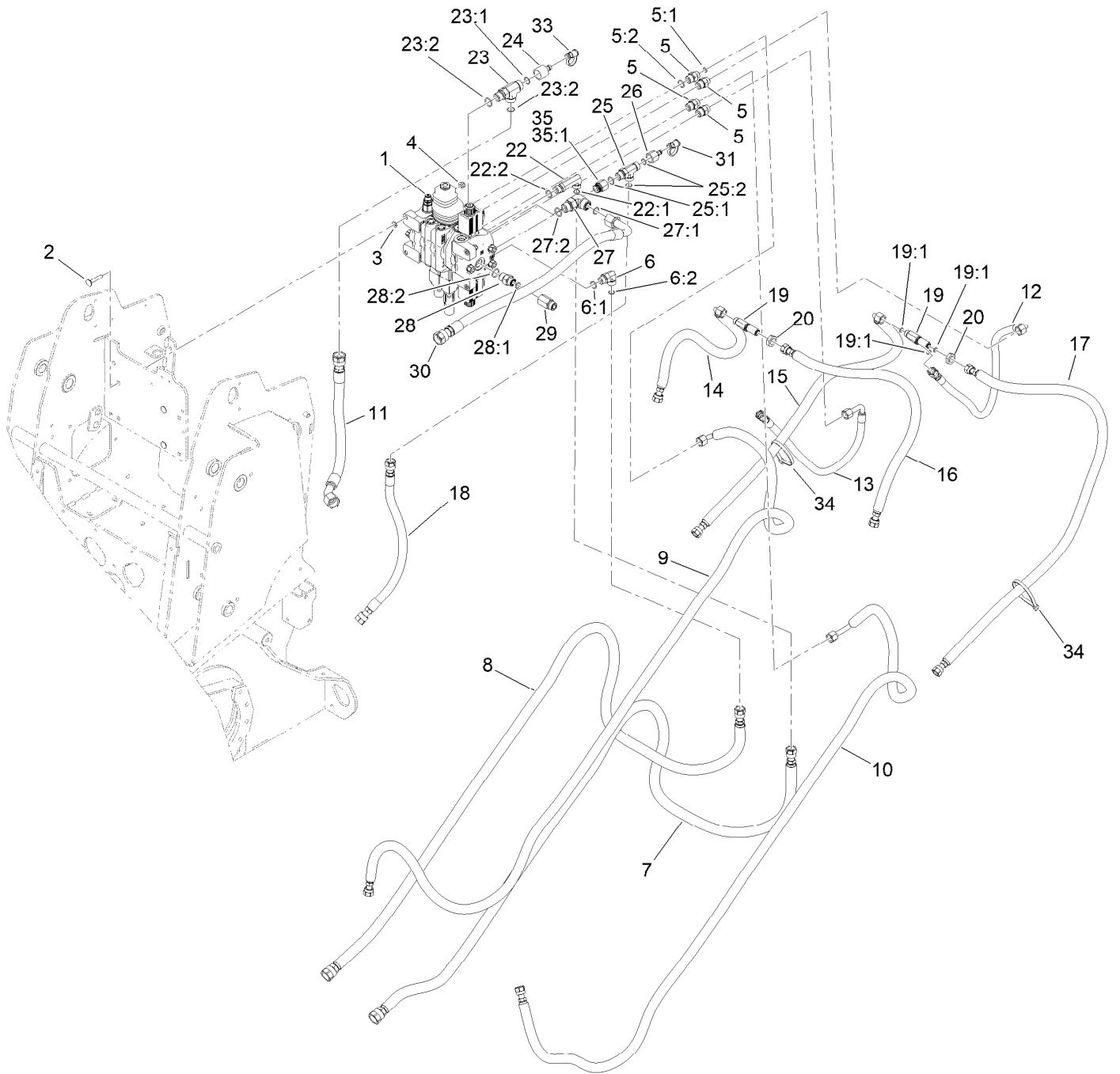
Cooling and Charging Assembly



Cooling and Charging Assembly (continued)

<i>Ref.</i>	<i>Part Number</i>	<i>Qty.</i>	<i>Description</i>	<i>Ref.</i>	<i>Part Number</i>	<i>Qty.</i>	<i>Description</i>
1	161-5858-05	1	Charger Mount ASM, [blk-Txt]	22	321-4	16	Screw-HH
2	161-5860-05	1	Bracket-Mount,Cooler	23	3296-42	16	Nut-Lock, NI
3	145-5393	1	Charger-Onboard	24	122-3214	1	Harness-Wire,DC,
4	120-5755	1	Fan-Electric	25	122-3215	1	Harness-Wire,DC,Aux,
5	112-9621	1	Battery-Wet, 12V 9Ah, Sealed W/Hrdwr	26	122-3656	1	Harness-Wire, AC In
6	133-0081	1	Strip-Foam	27	161-8017-05	1	Plate-Adapter, [blk-Txt]
7	147-2489	1	Channel-Clamp,Battery	28	122-4099	1	Harness-Wire, Inlet, 60309
10	104-7201	8	Nut-HF, NI	29	32144-14	4	Screw-HWHTF
14	94-5781	4	Screw-HHF	30	3274-65	2	Screw-HSBH
15	161-5862-05	1	Bracket-Cooler	31	120-9679	1	Washer-Flat
16	105-0352	1	Exchanger-Heat	34	120-4579	2	Screw-HHF
17	163-1227	2	Pad-Foam	35	120-4580	2	Nut-HF
18	104-2803	2	Support-Cooler	36	237-165	1	Grommet
20	340-17	1	Fitting-Elbow, 90 DEG	37	100-4351	4	Screw-HWH
20:1	237-65	1	O-Ring	39	163-1226	2	Pad-Foam
20:2	237-80	1	O-Ring	40	3290-378	1	Tie-Cable
21	321-34	2	Screw-HH	41	94-2413	2	Nut-U
				42	122-3491	1	Cable-Assembly, Charger

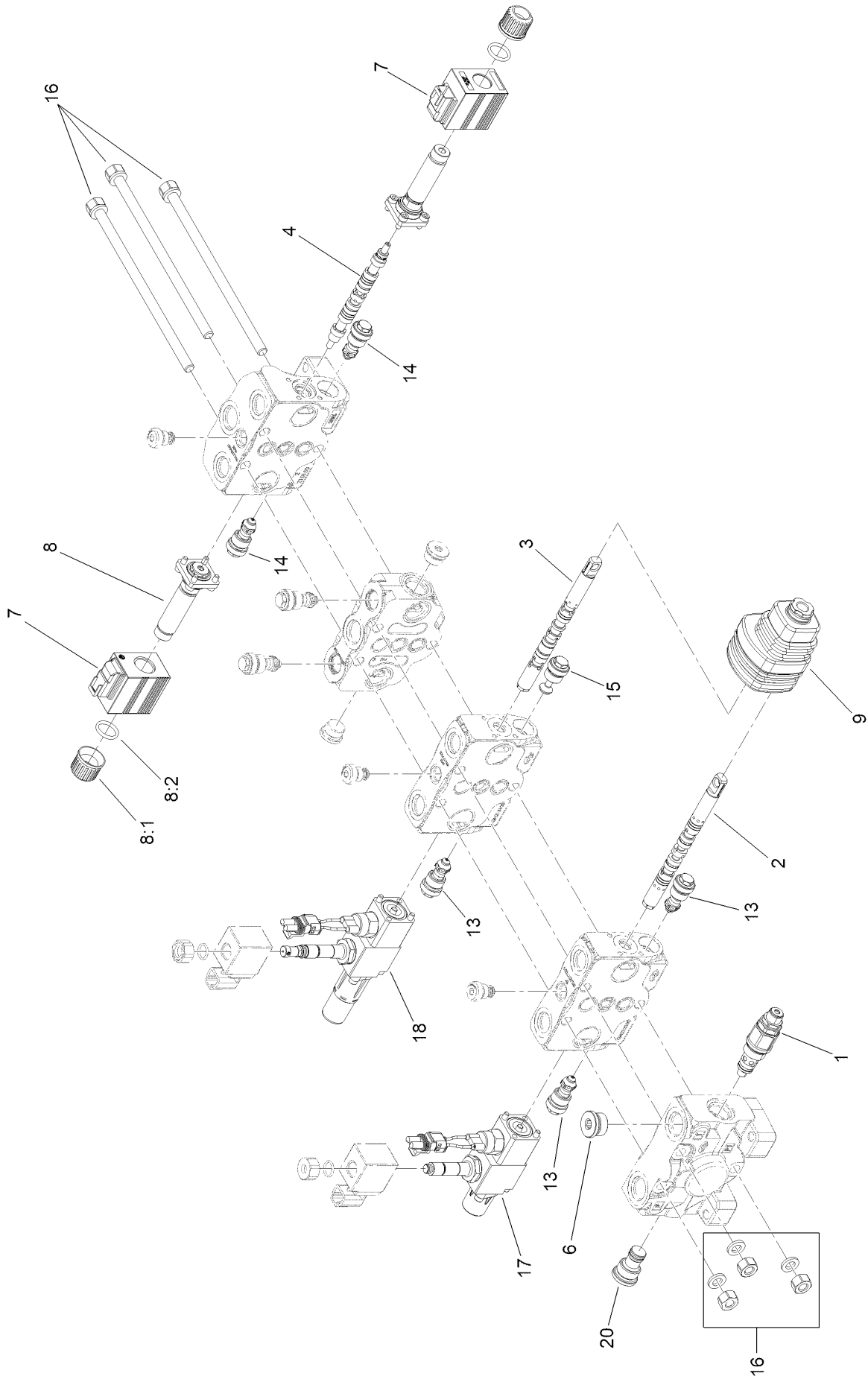
Control Valve Assembly



Control Valve Assembly (continued)

<i>Ref.</i>	<i>Part Number</i>	<i>Qty.</i>	<i>Description</i>	<i>Ref.</i>	<i>Part Number</i>	<i>Qty.</i>	<i>Description</i>
1	161-8001	1	Control Valve ASM	22	99-6160	1	Fitting-Elbow, 90 Long
2	3230-5	3	Bolt-CARR	22:1	237-30	1	O-Ring
3	109-5667	3	Nut-Push	22:2	237-79	1	O-Ring
4	104-8300	3	Nut-HF, NI	23	340-22	1	Fitting-Tee
5	340-3	4	Fitting-Straight	23:1	237-65	2	O-Ring
5:1	237-22	1	O-Ring	23:2	237-80	1	O-Ring
5:2	237-79	1	O-Ring	24	86-5860	1	Nipple
6	340-98	1	Fitting-Elbow, 90 DEG	25	340-109	1	Fitting-Tee
6:1	237-79	1	O-Ring	25:1	237-79	1	O-Ring
6:2	237-30	1	O-Ring	25:2	237-30	2	O-Ring
7	147-6744	1	HYD Hose ASM	26	100-5616	1	Fitting
8	147-6745	1	HYD Hose ASM	27	340-17	1	Fitting-Elbow, 90 DEG
9	147-6746	1	HYD Hose ASM	27:1	237-65	1	O-Ring
10	147-6747	1	HYD Hose ASM	27:2	237-80	1	O-Ring
11	147-6748	1	HYD Hose ASM	28	340-6	1	Fitting-Straight
12	147-6752	1	HYD Hose ASM	28:1	237-30	1	O-Ring
13	147-6753	1	HYD Hose ASM	28:2	237-80	1	O-Ring
14	147-6754	1	HYD Hose ASM	29	125-0148	1	Valve, Check
15	147-6755	1	HYD Hose ASM	30	161-5875	1	HYD Hose ASM
16	147-6756	1	HYD Hose ASM	31	354-79	1	Cap-Dust
17	147-6757	1	HYD Hose ASM	33	353-947	1	Cap-Dust, Black
18	147-6758	1	HYD Hose ASM	34	3334-945	2	Tie-Cable
19	340-68	2	Fitting-Tee, Bulkhead	35	100-4617	1	Adapter-HYD
19:1	237-22	3	O-Ring	35:1	237-80	1	O-Ring
20	340-70	2	Nut-Lock				

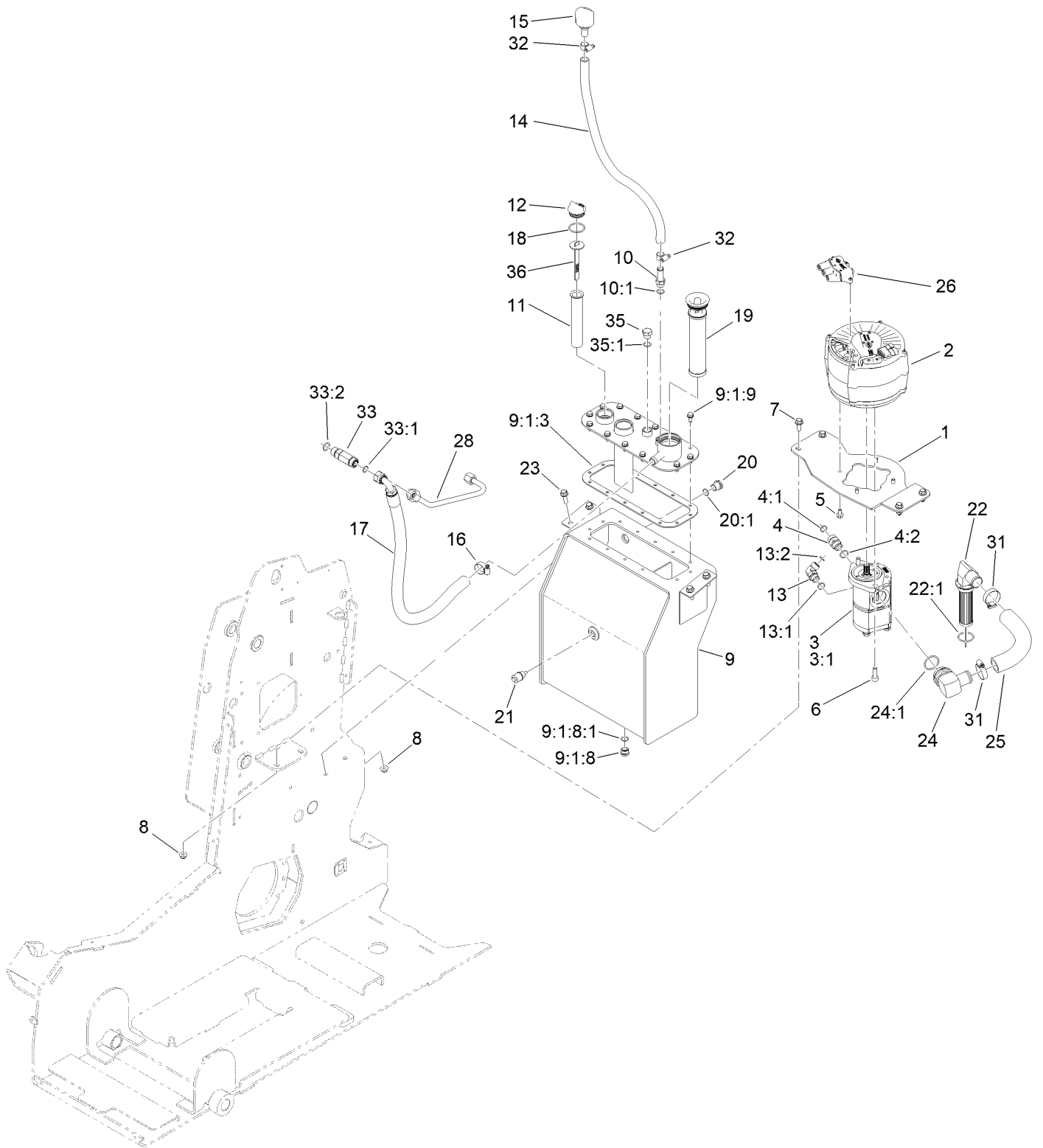
Control Valve Assembly No. 161-8001



Control Valve Assembly No. 161-8001 (continued)

<i>Ref.</i>	<i>Part Number</i>	<i>Qty.</i>	<i>Description</i>	<i>Ref.</i>	<i>Part Number</i>	<i>Qty.</i>	<i>Description</i>
1	164-1505	1	Valve-Relief	9	163-7706	1	Kit - Joystick
2	164-1506	1	Spool-Lift	13	164-1511	3	Valve-Relief
3	164-1507	1	Spool-Curl	14	164-1512	2	Valve-Relief
4	164-1508	1	Spool-Aux	15	164-1513	1	Valve-Check
6	164-1509	1	Plug	16	164-1514	1	Kit-Tierod
7	164-1510	2	Coil-Solenoid	17	164-1515	1	Kit-Control
8	145-3319	1	Coil-Tube	18	164-1516	1	Kit-Control
8:1	163-4298	2	Nut-Retainer	20	164-1517	1	Plug
8:2	163-4299	2	O-Ring				

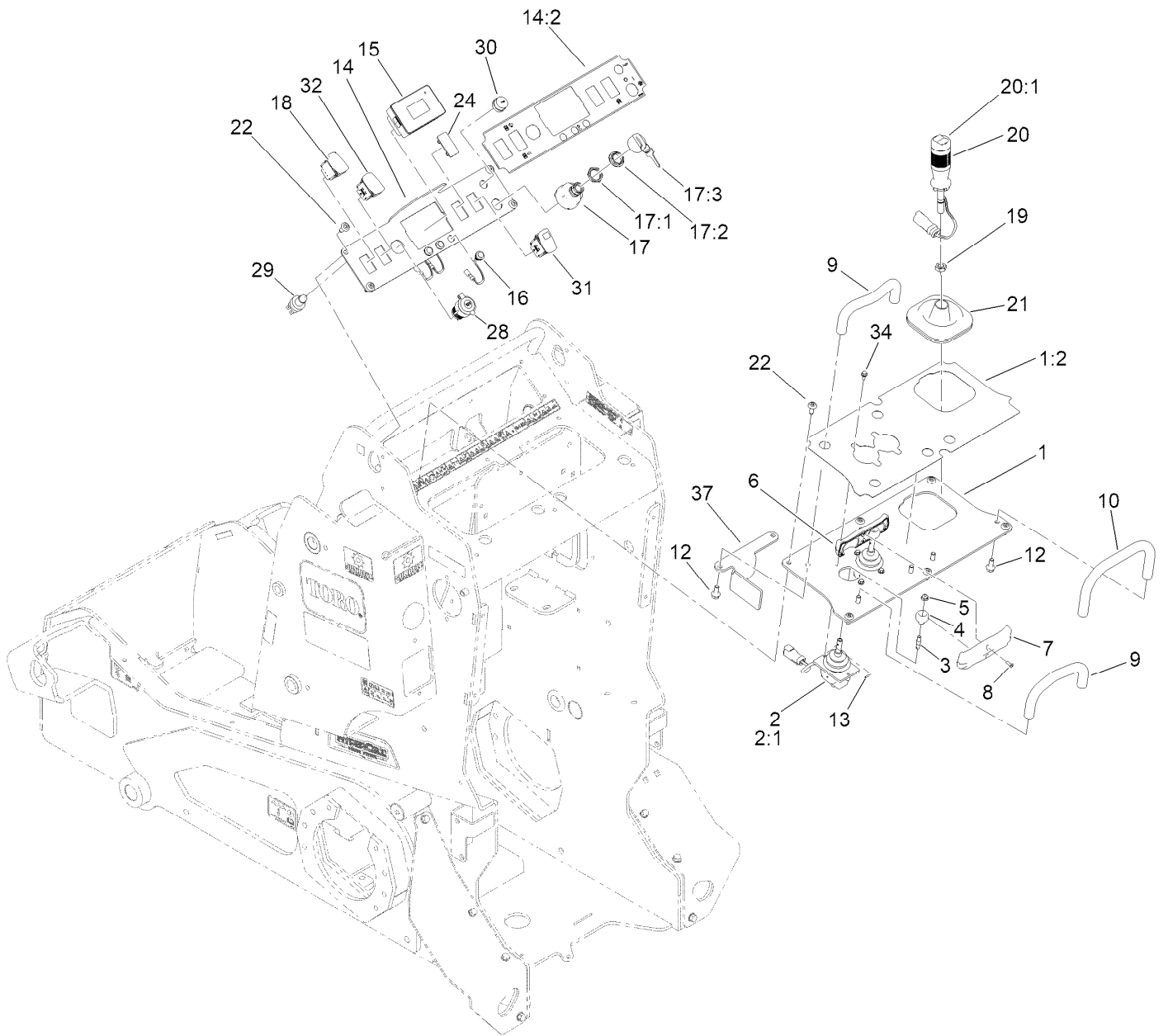
Hydraulic Tank, Motor and Gear Pump Assembly



Hydraulic Tank, Motor and Gear Pump Assembly (continued)

<i>Ref.</i>	<i>Part Number</i>	<i>Qty.</i>	<i>Description</i>	<i>Ref.</i>	<i>Part Number</i>	<i>Qty.</i>	<i>Description</i>
1	161-7976-05	1	Bracket-Motor	15	147-6017	1	Breather (Air)
2	161-3019	1	Motor/Gen - 48V, 10Kw	16	2412-129	1	Clamp-Hose
3	161-7970	1	Gear Pump ASM	17	163-1218	1	HYD Hose ASM
3:1	163-1246	1	Kit-Seal	18	237-101	1	O-Ring
4	340-7	1	Fitting-Straight	19	147-2497	1	Filter-Oil
4:1	237-65	1	O-Ring	20	114-3075	1	Sight Glass ASM
4:2	237-80	1	O-Ring	20:1	237-79	1	O-Ring
5	33104-016	4	Screw-HHF	21	161-5866	1	Sender-Temperature
6	AU862-10030	2	Screw-HSH	22	145-0622	1	Strainer Fitting ASM
7	3234-42	4	Screw-HHF	22:1	237-101	1	O-Ring
8	104-8301	8	Nut-HF, NI	23	119-4061	4	Screw-HHF
9	161-5850-03	1	HYD Tank ASM, [black]	24	92-7526	1	Fitting-HYD 90 Spcl
9:1:3	161-5869	1	Gasket-Cover,Access	24:1	237-101	1	O-Ring
9:1:8	133-7659	1	Plug ASM W/Magnet	25	163-1236	1	HYD Hose
9:1:8:1	237-79	1	O-Ring	26	147-5069	1	Terminal Accessory Pack
9:1:9	32144-70	14	Screw-HWHTF	28	163-1217	1	HYD Tube ASM
10	107-7569	1	Fitting-STR	31	2412-111	2	Clamp-Hose, W/Liner
10:1	237-79	1	O-Ring	32	2412-119	2	Clamp-Hose
11	61-2790	1	Filter-Screen	33	340-22	1	Fitting-Tee
12	93-7498	1	Plug-Plastic	33:1	237-65	2	O-Ring
13	340-98	1	Fitting-Elbow, 90 DEG	33:2	237-80	1	O-Ring
13:1	237-79	1	O-Ring	35	353-550	1	Plug-HYD, HH
13:2	237-30	1	O-Ring	35:1	237-79	1	O-Ring
14	163-1220	1	HYD Hose	36	163-1232	1	Dipstick-Oil

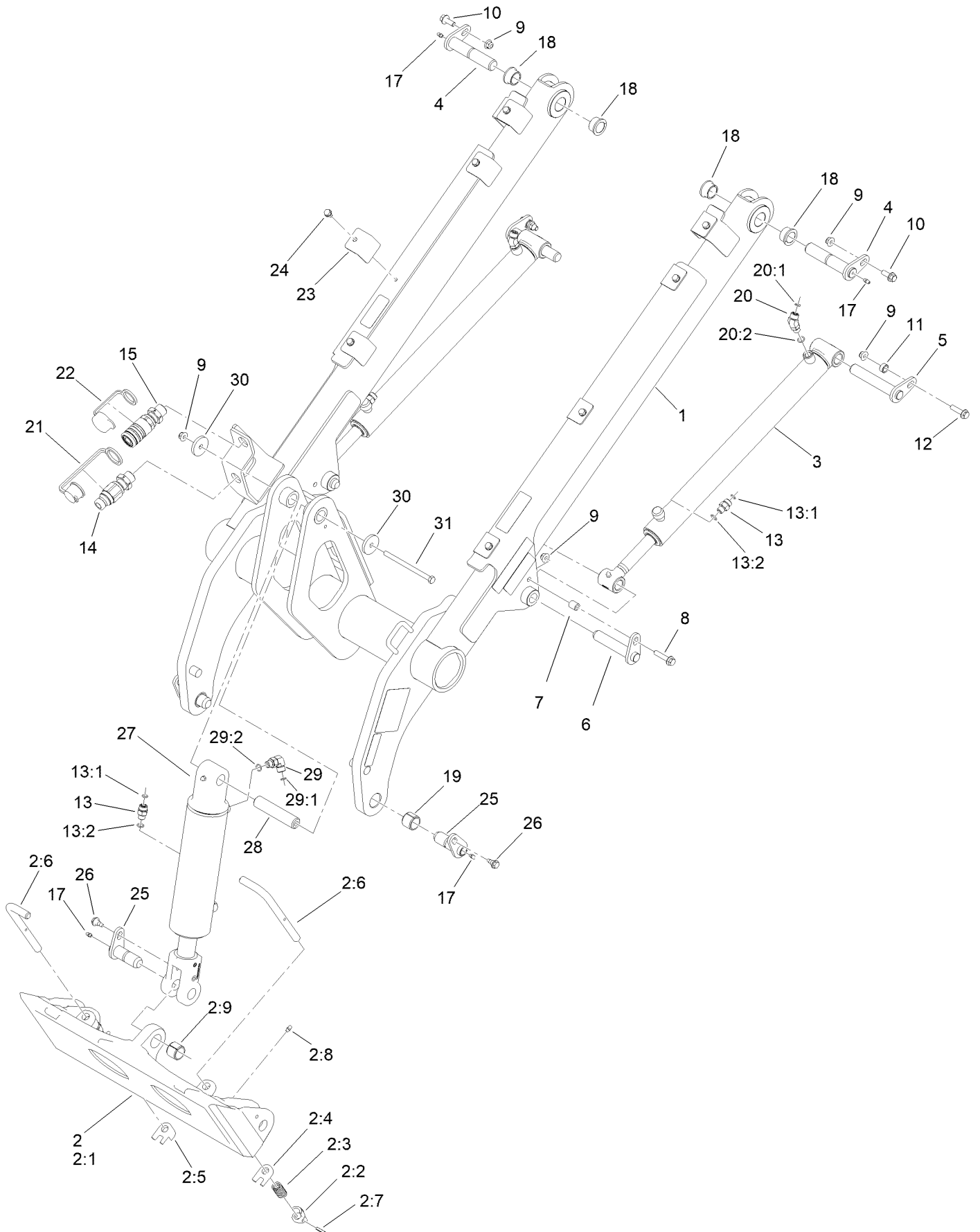
Controls Assembly



Controls Assembly (continued)

<i>Ref.</i>	<i>Part Number</i>	<i>Qty.</i>	<i>Description</i>	<i>Ref.</i>	<i>Part Number</i>	<i>Qty.</i>	<i>Description</i>
1	161-8008	1	Plate ASM,	17:1	121-5160	1	Nut-Hex
1:2	147-9115	1	Decal-Controls	17:2	122-2704	1	Nut-Face, M22 (Plastic)
2	136-4784	2	Lever-Control	17:3	121-5162	1	Set-Key, Ignition
2:1	133-0289	1	Lever-Control, Joystick	18	112-9421	1	Switch
3	137-0431	2	Shaft-Handle	19	51-2070	1	Nut
4	130-7723	2	Ball-Traction	20	140-5742	1	Handle-Auxiliary ASM
5	104-7201	2	Nut-HF, NI	20:1	147-6873	1	Boot-Switch, Joystick
6	139-1166	1	Handle-Front	21	145-4746	1	Boot-Joystick
7	139-1167	1	Handle-Rear	22	138-9753	10	Screw
8	94-6961	4	Screw	24	99-7420	1	Plug-Hole
9	138-4693	2	Bar-Reference	28	109-9376	1	Receptacle-12V
10	145-4760	1	Bar-Reference	29	112-3324	1	Switch-Horn
12	3234-47	6	Screw-HHF	30	112-3313	1	Nut-Weatherproof
13	137-0432	2	Pin-Roll	31	122-2719	1	Switch-Rocker, On-None-(On)
14	161-8006	1	Plate ASM,				
14:2	161-8011	1	Decal-Console	32	122-3145	1	Switch-Rocker, On - None - On
15	122-1201	1	Module-Display				
16	136-9678	3	Cable Assy-Pushbutton	34	120-4579	4	Screw-HHF
17	122-2513	1	Switch-Ignition, Suns	37	147-9106-03	1	Bracket

Loader Arm Assembly



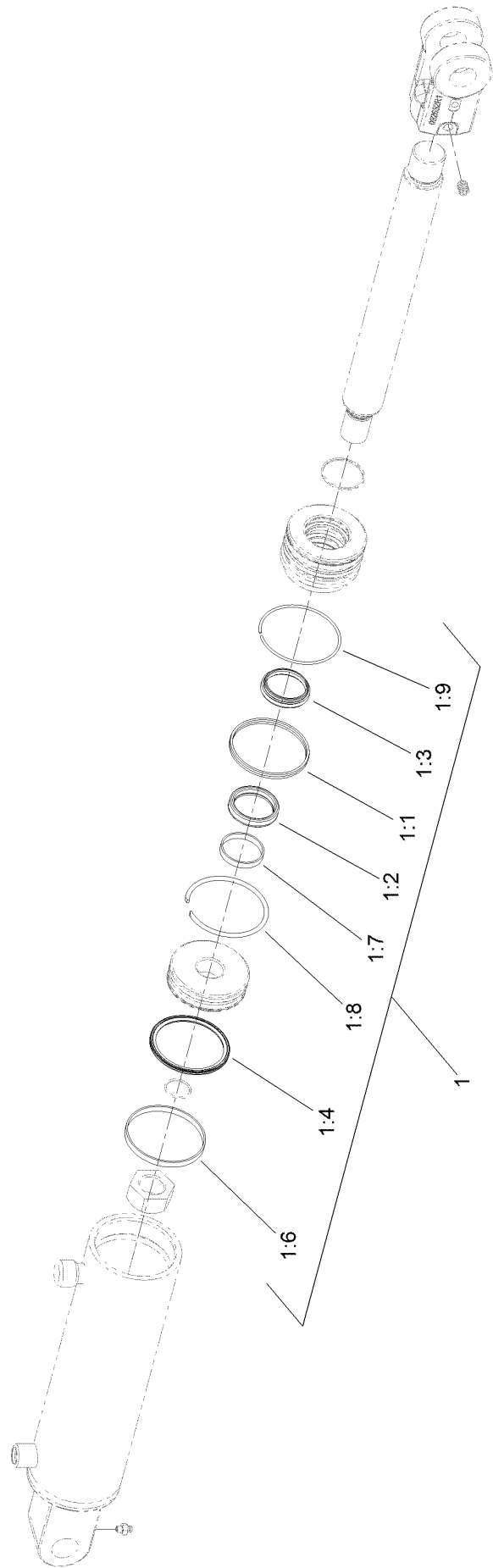
Loader Arm Assembly (continued)

<i>Ref.</i>	<i>Part Number</i>	<i>Qty.</i>	<i>Description</i>	<i>Ref.</i>	<i>Part Number</i>	<i>Qty.</i>	<i>Description</i>
1	147-2495	1	Loader Arm ASM,	13:2	237-42	1	O-Ring
2	132-8418	1	Quick Attach ASM	14	139-4799	1	Coupler ASM,Bulkhead,
2:1	130-7708-05	1	Mount-Qtach, [blk-Txt]	15	139-4798	1	Coupler ASM,Bulkhead,
2:2	105-0246	2	Cam	17	302-5	5	Fitting-Grease
2:3	98-4694	2	Spring-Compression	18	112-1626	4	Bushing-Flange
2:4	104-5909	1	Stop-RH	19	98-4871	2	Bushing-Tension
2:5	104-5903	1	Stop-LH	20	340-87	2	Fitting-Elbow, 45 DEG
2:6	132-8419	2	Pin-Locking	20:1	237-22	1	O-Ring
2:7	3285-1	2	Pin-Grooved	20:2	237-42	1	O-Ring
2:8	302-5	2	Fitting-Grease	21	100-8815	1	Cap-Dust, Nipple
2:9	98-4871	1	Bushing-Tension	22	100-8816	1	Cap-Dust, Coupler
3	140-2974	2	Cly-HYD	23	145-3304	8	Plate-Retainer, Hose
4	139-7270	2	Pin-Flag	24	700057	8	Screw-HWH
5	140-2927	2	Pivot Pin ASM (Welded)	25	130-5222	3	Pin-Pivot
6	140-2925	2	Pivot Pin ASM (Welded)	26	99-5105	3	Screw-Shoulder
7	136-1462	2	Spacer	27	161-7969	1	HYD CYL ASM
8	3234-19	2	Screw-HHF	28	161-8018	1	Spacer-Pivot
9	104-8301	7	Nut-HF, NI	29	340-77	1	Fitting-Elbow, 90 DEG
10	3234-42	2	Screw-HHF	29:1	237-22	1	O-Ring
11	99-4201	2	Tube-Spacer	29:2	237-42	1	O-Ring
12	3234-18	2	Screw-HHF	30	110-9981	2	Washer-Plain
13	340-2	3	Fitting-Straight	31	323-22	1	Screw-HH
13:1	237-22	1	O-Ring				

Hydraulic Cylinder Assembly No. 140-2974 (continued)

<i>Ref.</i>	<i>Part Number</i>	<i>Qty.</i>	<i>Description</i>
1	144-7487	1	Kit-Seal, Hydraulic CYL

Hydraulic Cylinder Assembly No. 161-7969

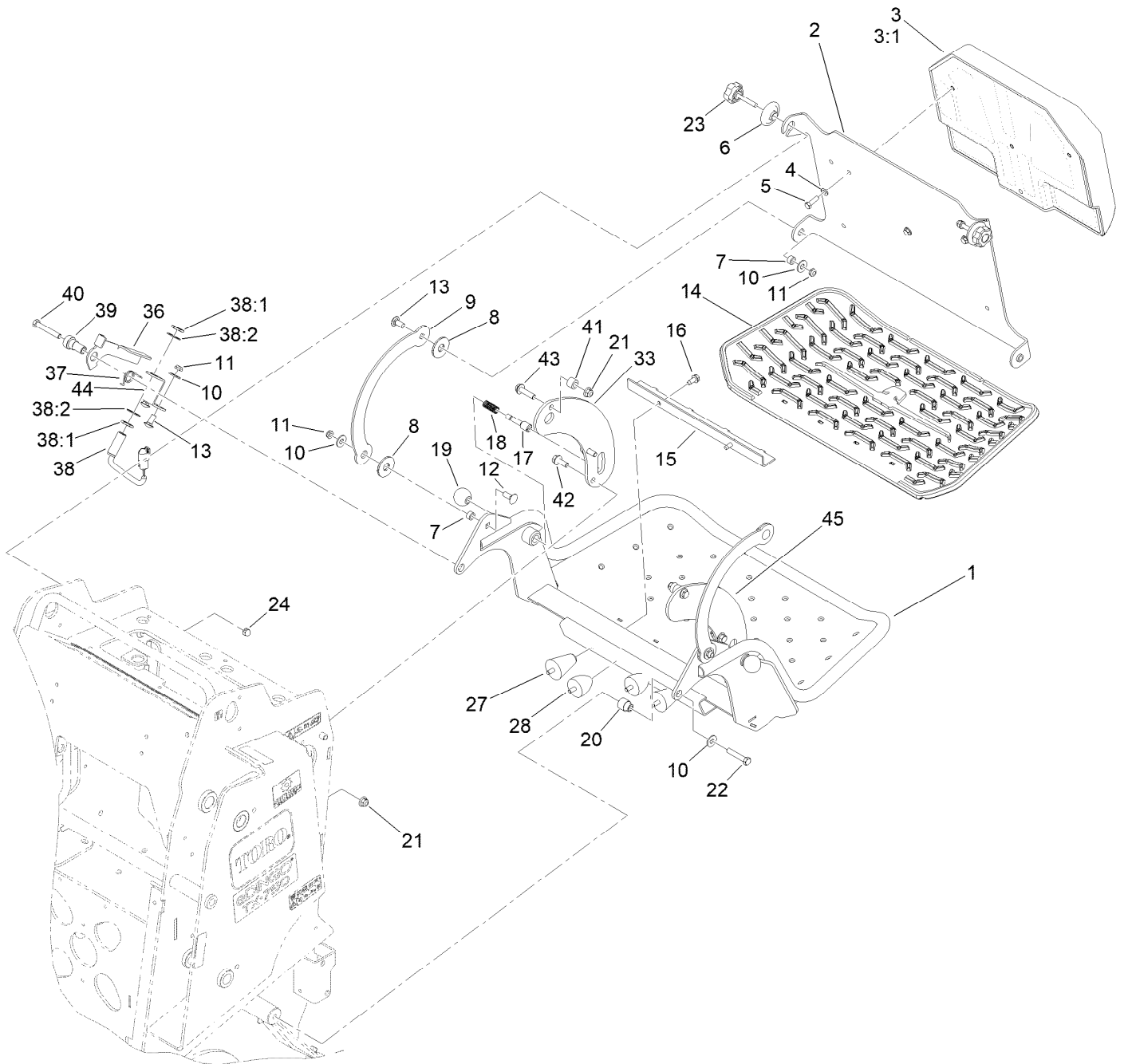


Hydraulic Cylinder Assembly No. 161-7969 (continued)

<i>Ref.</i>	<i>Part Number</i>	<i>Qty.</i>	<i>Description</i>	<i>Ref.</i>	<i>Part Number</i>	<i>Qty.</i>	<i>Description</i>
1	137-5209	1	Seal Repair Kit	1:6		1	Ring-Wear, Piston ●
1:1		1	Seal-Dual ●	1:7		1	Ring-Wear, Rod ●
1:2		1	Seal-Rod ●	1:8		1	Ring-Retaining, Internal ●
1:3		1	Wiper-Rod ●	1:9		1	Ring-Retaining, External ●
1:4		1	Seal-Piston ●				

● Not serviced separately

Platform Assembly



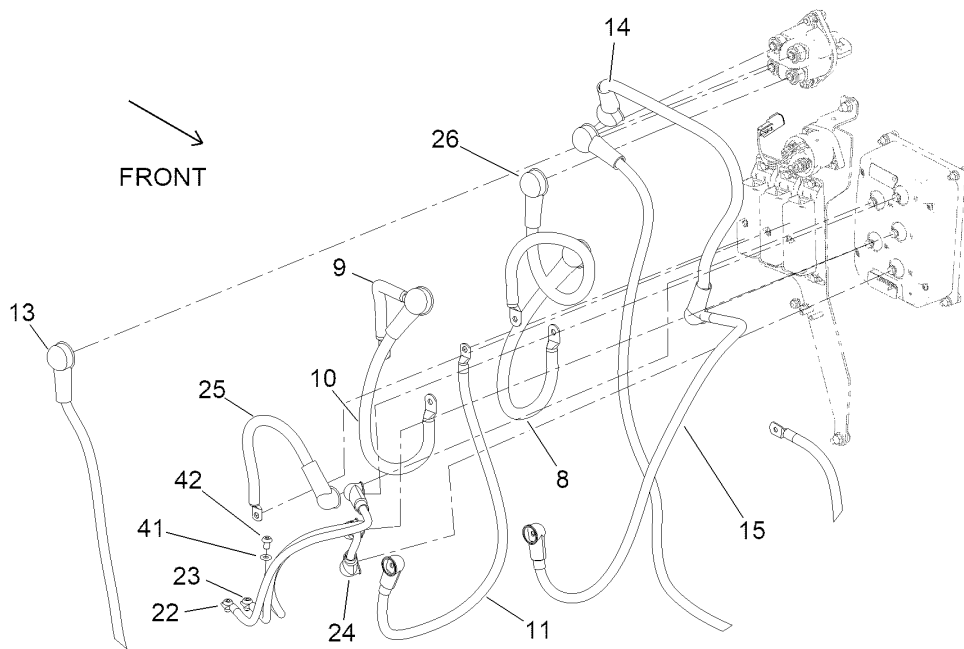
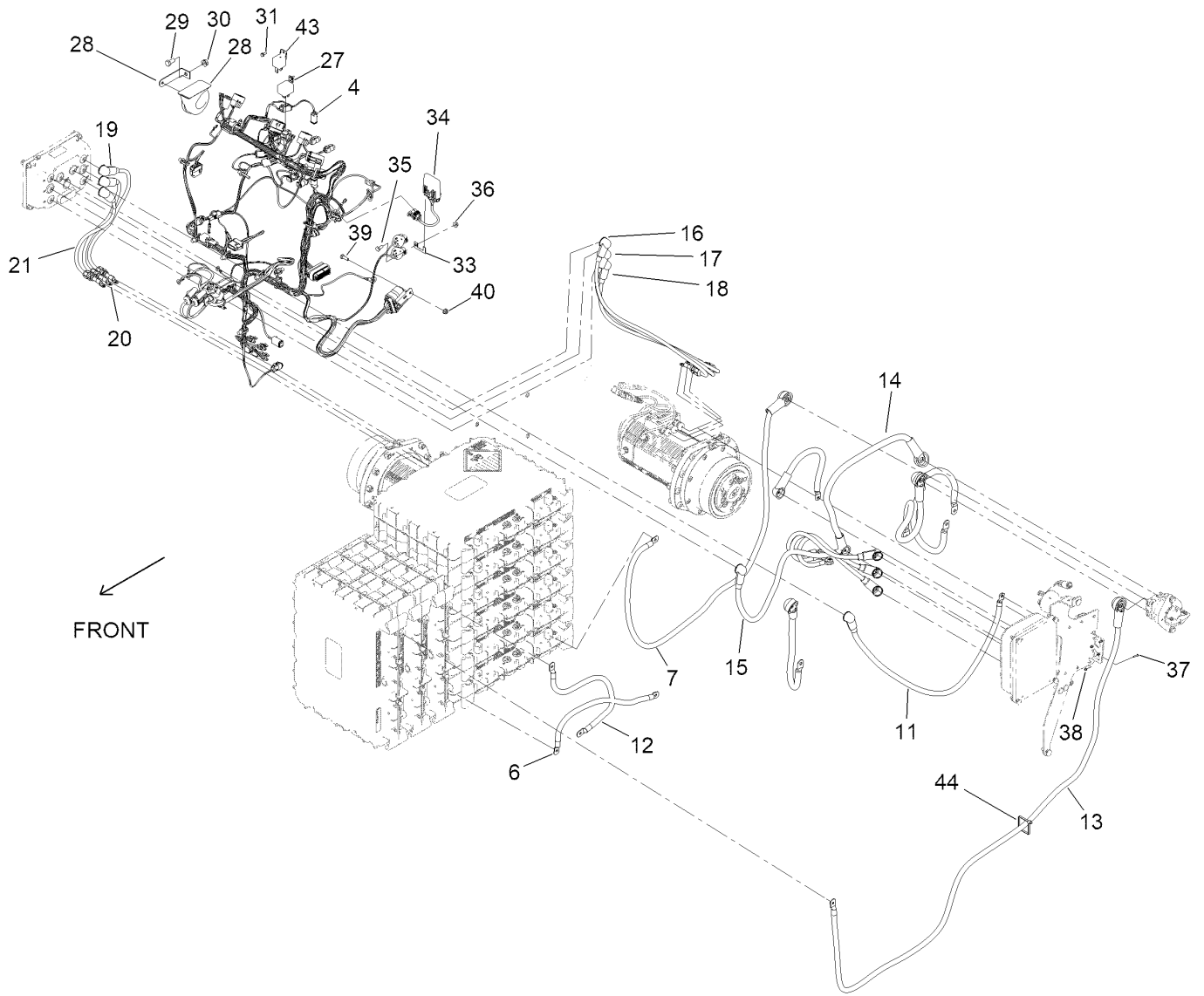
Platform Assembly (continued)

<i>Ref.</i>	<i>Part Number</i>	<i>Qty.</i>	<i>Description</i>	<i>Ref.</i>	<i>Part Number</i>	<i>Qty.</i>	<i>Description</i>
1	147-2535-05	1	Platform ASM, [blk-Txt]	20	132-7583	1	Bushing-Flanged
2	161-7994-05	1	Hinge-Pad	21	104-8301	6	Nut-HF, NI
3	161-3555	1	Pad-Thigh	22	323-10	1	Screw-HH
3:1	161-3554	1	Cover Pad	23	133-1426	2	Knob
4	3256-23	3	Washer-Plain	24	137-4808	2	Nut-Acorn
5	121-7999	3	Screw-HH, Patch	27	114-1925	2	Bumper-Rubber
6	116-2886	2	Slide-Bushing	28	114-1926	2	Bumper-Rubber
7	111044	4	Spacer	33	147-8482	1	Bracket-Catch
8	114-0463	4	Washer-Friction, Composite	36	147-2457-03	1	Bracket-Activator
9	114-1915-05	2	Link-Pad	37	139-1508	1	Spring-Torsion
10	3256-4	7	Washer-Flat	38	139-7238	1	Sensor-Proximity, N.O.
11	3296-59	6	Nut-Lock, NI	38:1	117-3207	2	Nut-Hex
12	3231-2	2	Bolt-CARR	38:2	117-3208	2	Washer-Lock, Internal Tooth
13	3231-27	4	Screw-CARR	39	147-2458	1	Bushing-Flanged
14	144-6958	1	Mat, Platform	40	323-12	1	Screw-HH
15	114-1920-05	1	Clamp-Shield	41	117-5673	2	Spacer
16	32144-70	2	Screw-HWHTF	42	3234-42	4	Screw-HHF
17	119-8650	2	Pin-Latch	43	3234-18	2	Screw-HHF
18	114-5348	2	Spring	44	147-2459	1	Bracket-Sensor
19	1-603175	2	Knob-Ball	45	161-7973	1	Plate-Striker

Hoods and Covers Assembly (continued)

<i>Ref.</i>	<i>Part Number</i>	<i>Qty.</i>	<i>Description</i>	<i>Ref.</i>	<i>Part Number</i>	<i>Qty.</i>	<i>Description</i>
1	161-8041-05	1	Plate-Cover,Upper	13	163-1214-05	1	Door-Access [blk-Txt]
2	147-8490-05	1	Battery Cover ASM, [blk-Txt]	14	145-4788	1	Latch - Compression
3	161-5855-05	1	RH Battery Cover ASM, [blk-Txt]	15	1-807513	3	Bolt-CARR
4	32144-14	14	Screw-HWHTF	16	138-0719	3	Nut-HF
5	130-5315	2	Arm-Locking	17	163-1223	3	Seal-Foam
5:2	115-4858	1	Decal-Danger	18	3234-29	21	Screw-HHF
6	108-0094	4	Pin-Cotterless	19	2412-120	2	Clamp-R
7	161-7982-05	1	Top Cover ASM, [blk-Txt]	20	3269-10	2	Washer-Back
8	161-7987-01	1	Plate-Backing	21	3269-17	2	Rivet-Pop
9	3258-166	4	Screw-PRH	22	104-7050	1	Tube-Manual
10	3296-42	4	Nut-Lock, NI	23	104-7048	1	Cap-Housing
11	161-8040-05	1	Plate-Cover,Lower	24	161-8014	1	Decal-Service
12	94-2413	9	Nut-U	25	147-6827	1	Decal-Operator Manual

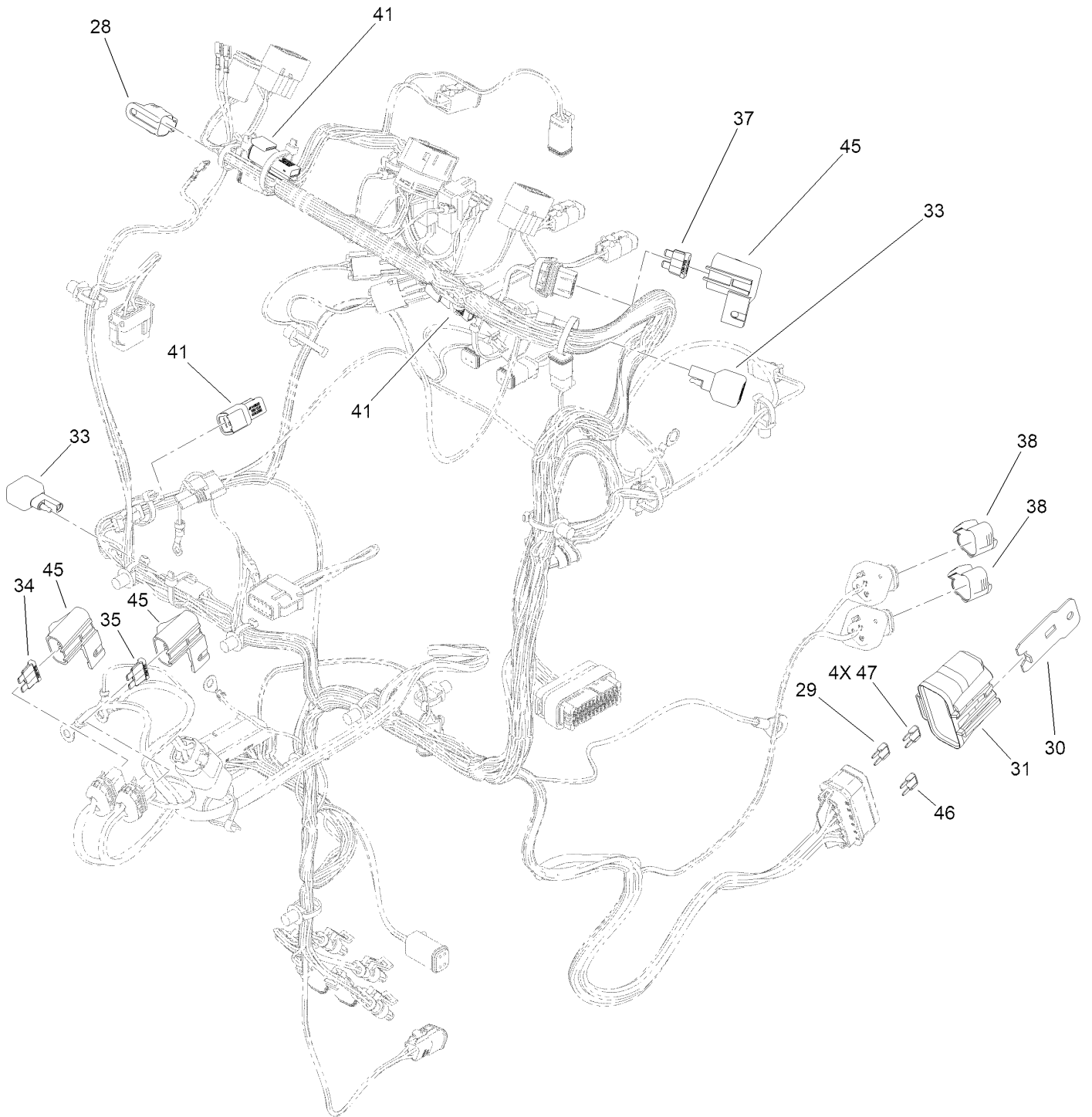
Electrical Routing Assembly



Electrical Routing Assembly (continued)

<i>Ref.</i>	<i>Part Number</i>	<i>Qty.</i>	<i>Description</i>	<i>Ref.</i>	<i>Part Number</i>	<i>Qty.</i>	<i>Description</i>
4	122-3702	1	Harness-Wire, Main	25	122-3372	1	Cable-Battery, Rd ASM
6	122-3338	1	Cable-Battery, Rd ASM	26	122-4271	1	Cable-Battery, Rd ASM
7	122-3339	1	Cable-Battery, Rd ASM	27	122-3200	1	Relay
8	122-4298	1	Cable-Battery, Rd ASM	28	116749	1	Horn
9	122-3341	1	Cable-Battery, Rd ASM	29	323-4	1	Screw-HH
10	122-3342	1	Cable-Battery, Rd ASM	30	3290-357	1	Nut-HSF
11	122-3343	1	Cable-Battery, Rd ASM	31	32144-112	2	Screw-HWH
12	122-3344	1	Cable-Battery, Bk ASM	33	32180-020	1	Clip-Connector
13	122-3345	1	Cable-Battery, Bk ASM	34	119-4330	1	Isolated Can Module ASM
14	122-3346	1	Cable-Battery, Bk ASM	35	321-3	1	Screw-HH
15	122-3347	1	Cable-Battery, Bk ASM	36	32128-33	1	Nut-HF
16	122-3348	1	Cable-Battery, Rd ASM	37	1-3084	4	Screw-PPH
17	122-3349	1	Cable-Battery, Rd ASM	38	9157324	4	Nut-Hex, NYL INS
18	122-3350	1	Cable-Battery, Rd ASM	39	321-4	1	Screw-HH
19	122-3351	1	Cable-Battery, Rd ASM	40	119-4040	1	Nut-HF, NI
20	122-3352	1	Cable-Battery, Rd ASM	41	147-5054	3	Washer-Belleville
21	122-3353	1	Cable-Battery, Rd ASM	42	147-5055	3	Screw-HSBH
22	122-3354	1	Cable-Battery, Rd ASM	43	99-7435	1	Relay
23	122-3355	1	Cable-Battery, Rd ASM	44	3290-379	2	Tie-Cable
24	122-3356	1	Cable-Battery, Rd ASM				

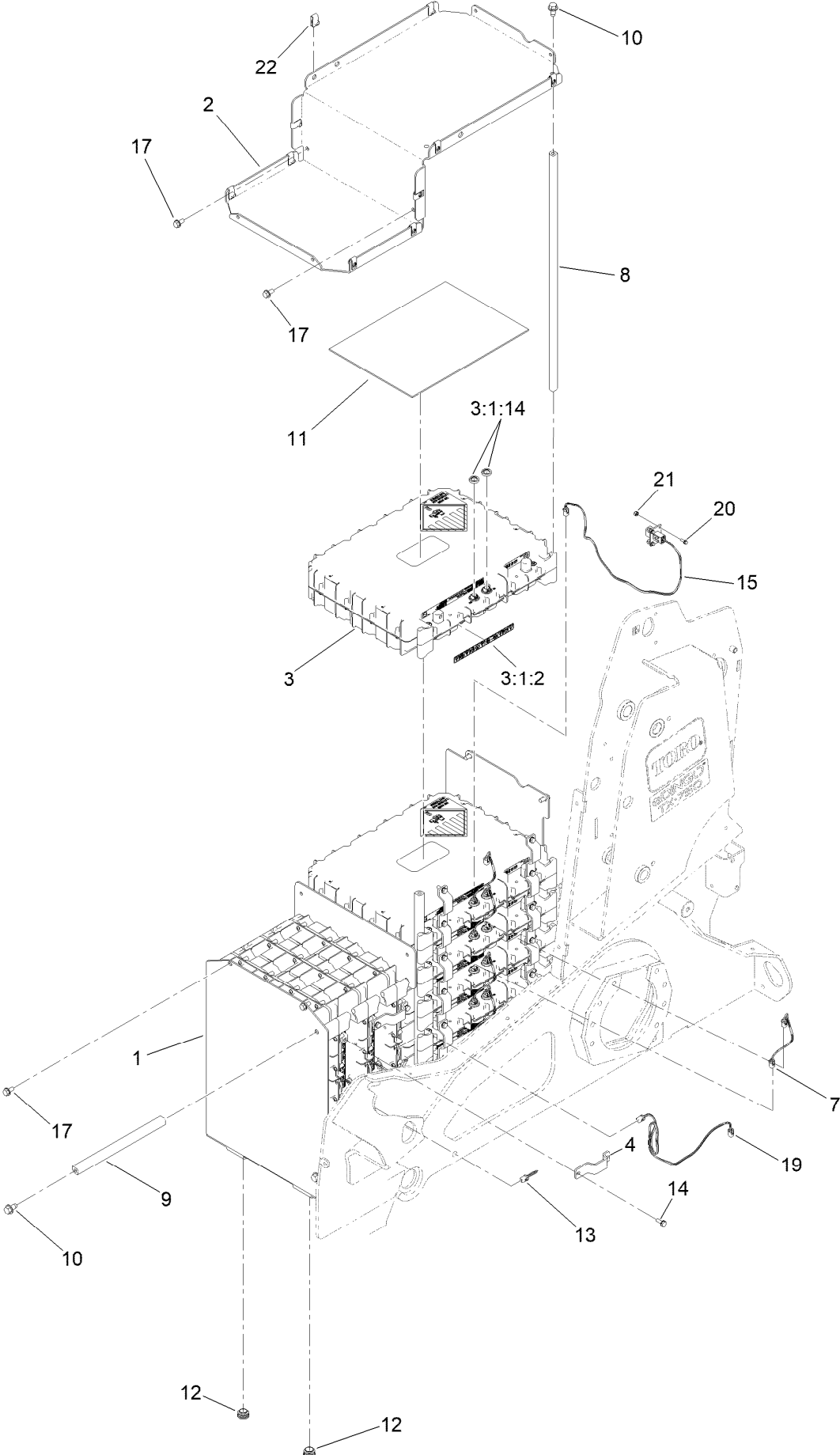
Main Wire Harness Assembly No. 122-3702



Main Wire Harness Assembly No. 122-3702 (continued)

<i>Ref.</i>	<i>Part Number</i>	<i>Qty.</i>	<i>Description</i>	<i>Ref.</i>	<i>Part Number</i>	<i>Qty.</i>	<i>Description</i>
28	32180-091	1	Cap-Dust, 2 Way	37	117-4724	1	Fuse-Blade, 10A
29	121-8861	1	Fuse-Mini Blade, 2 Amp	38	32180-089	2	Cap-Plug, 3 Way
30	32180-177	1	Clip-Mounting	41	32180-282	3	Conn, Res, 120 Ohm
31	32180-176	1	Cover-Block, Fuse	45	32180-567	3	Cover-Aptiv, Modified
33	100-4918	2	Diode	46	121-8867	1	Fuse-Mini Blade, 15 Amp
34	117-4728	1	Fuse-Blade, 30A	47	121-8865	4	Fuse-Mini Blade, 7.5 Amp
35	117-4726	1	Fuse-Blade, 20A				

Battery Assembly



Battery Assembly (continued)

<i>Ref.</i>	<i>Part Number</i>	<i>Qty.</i>	<i>Description</i>	<i>Ref.</i>	<i>Part Number</i>	<i>Qty.</i>	<i>Description</i>
1	147-8447-03	1	Battery Base ASM, [black]	11	145-2366	2	Foam-Battery Box
2	144-0871-03	1	Plate-Top,Housing,Battery	12	145-2365	4	Glide-Battery Box
3	145-5320	10	Battery ASM	13	122-2323	1	Harness-Wire, Can Terminator
3:1:2	145-5338	1	Decal-Warning, Battery	14	145-5783	20	Screw-Sems
3:1:14	32180-466	2	Nut-Mounting, Jwpf Panel Lock	15	122-2402	1	Harness-Wire, Pack Comm
4	147-3877	16	Bar-Bus, 400A	17	32144-14	6	Screw-HWHTF
7	140-9565	8	Harness-Wire, Data Interface	19	122-2494	1	Harness-Wire, Data (Long)
8	147-2517	2	Lock-Battery,	20	112-3169	4	Screw-HHF, Serrated
9	147-2518	2	Lock-Battery,	21	3296-1	4	Nut-Lock
10	110-9380	8	Screw-HWH	22	94-2413	10	Nut-U

Attachments and Accessories

For 22231 — eDingo TX 750 Wide Track Compact Tool Carrier

Product Name	Model/Part
Charger Cable Assembly	122-3489
Charger Cable Assembly	122-3490
Charger Cable Assembly	122-4204
PX Hydraulic Fluid (5 Gal)	133-8086
PX Hydraulic Fluid (55 Gal).....	133-8087
PX Hydraulic Fluid-4 Pack (Gallon).....	138-9460
Kit-Light	163-1225
Kit-Charger, North American.....	163-1244
Kit-Charger, European.....	163-1245
Standard Bucket.....	22340
High Volume Bucket	22342
4 Cubic Foot Standard Bucket.....	22409
Loose Materials Bucket	22410
48in Hydraulic Blade.....	22414
Bore Drive Head	22420
Rod and Reamer	22421
Stump Grinder	22429
Tree Forks	22438
40in Tiller	22445
Crumber Kit	22464
Trench Filler.....	22472
High-Torque Trencher Head	22473
High-Speed Trencher Head.....	22474
Crumber Kit	22477
4-in-1 Bucket	22478
24in X 4in Soil Chain.....	22480
24in X 4in Combination Chain	22481
24in X 4in Rock Tooth Chain.....	22482
24in X 6in Soil Chain.....	22483
24in X 6in Combination Chain	22484
24in X 6in Rock Tooth Chain.....	22485
36in X 4in Soil Chain.....	22486
36in X 4in Combination Chain	22487
36in X 4in Rock Tooth Chain.....	22488
36in X 6in Rock Tooth Chain.....	22489
36in X 6in Soil Chain.....	22490
36in X 6in Combination Chain	22491
48in x 4in Soil Chain	22492
48in x 4in Combination Chain	22493
48in x 6in Soil Chain	22494
48in x 6in Combination Chain	22495
Narrow Bucket.....	22520
Grapple Rake	22577
Snow Thrower	22585
Adjustable Forks.....	22586
Grapple Bucket.....	22590

Attachments and Accessories (continued)

Multi-Purpose Tool	22672
Floor Scraper	22673
Auger Head	22805
Universal Swivel Auger Head	22806
18in Auger Bit	22814
24in Auger Bit	22815
30in Auger Bit	22816
12in Auger Bit Extension	22818
24in Auger Bit Extension	22819
6in Full-Flight Auger Bit	22820
9in Full-Flight Auger Bit	22821
12in Full-Flight Auger Bit.....	22822
15in Full-Flight Auger Bit.....	22823
Soil Cultivator	23102
Hydraulic Breaker	23136
Leveler.....	23165
30in Standard Bucket	23174
30in Pallet Fork.....	23175
30in Grapple	23176
Power Box Rake	23702
New Red Paint - Gallon	361-11
Dark Metallic Gray Aerosol Paint	361-12
Paint-Spray, Toro Textured Black.....	361-13
Semi-Gloss Black Spray Paint.....	361-9
Air Dry Red Paint - Qt	5340



Count on it.