



Count on it.

Parts Catalog

Ultra Buggy® 2500-T

Model No. 68138G—Serial No. 420000000 and Up



Ordering Replacement Parts

To order replacement parts, please supply the part number, the quantity, and the description of each part desired.

Understanding Reference Numbers

Each identified part in an illustration has a reference number. The reference number for a part also appears in the parts list, along with other information about the part.

This catalog uses two special reference number formats, one to indicate parts in a service assembly and another to indicate the quantity of a given part in an illustration.

Service Assembly Reference Numbers

Parts in service assemblies have reference numbers in the form a:b. The a represents the reference number of the entire service assembly and the b represents a sequential number unique to each part within the service assembly.

For example, a wheel assembly might be identified by reference number 6, the tire by 6:1, the valve by 6:2, and the wheel by 6:3. When you order the assembly identified by reference number 6, you receive all parts identified by reference numbers 6:1, 6:2, and 6:3. However, you may also order any part individually. Reference numbers of this type appear in illustration and in parts lists.

Reference Numbers Indicating Quantity

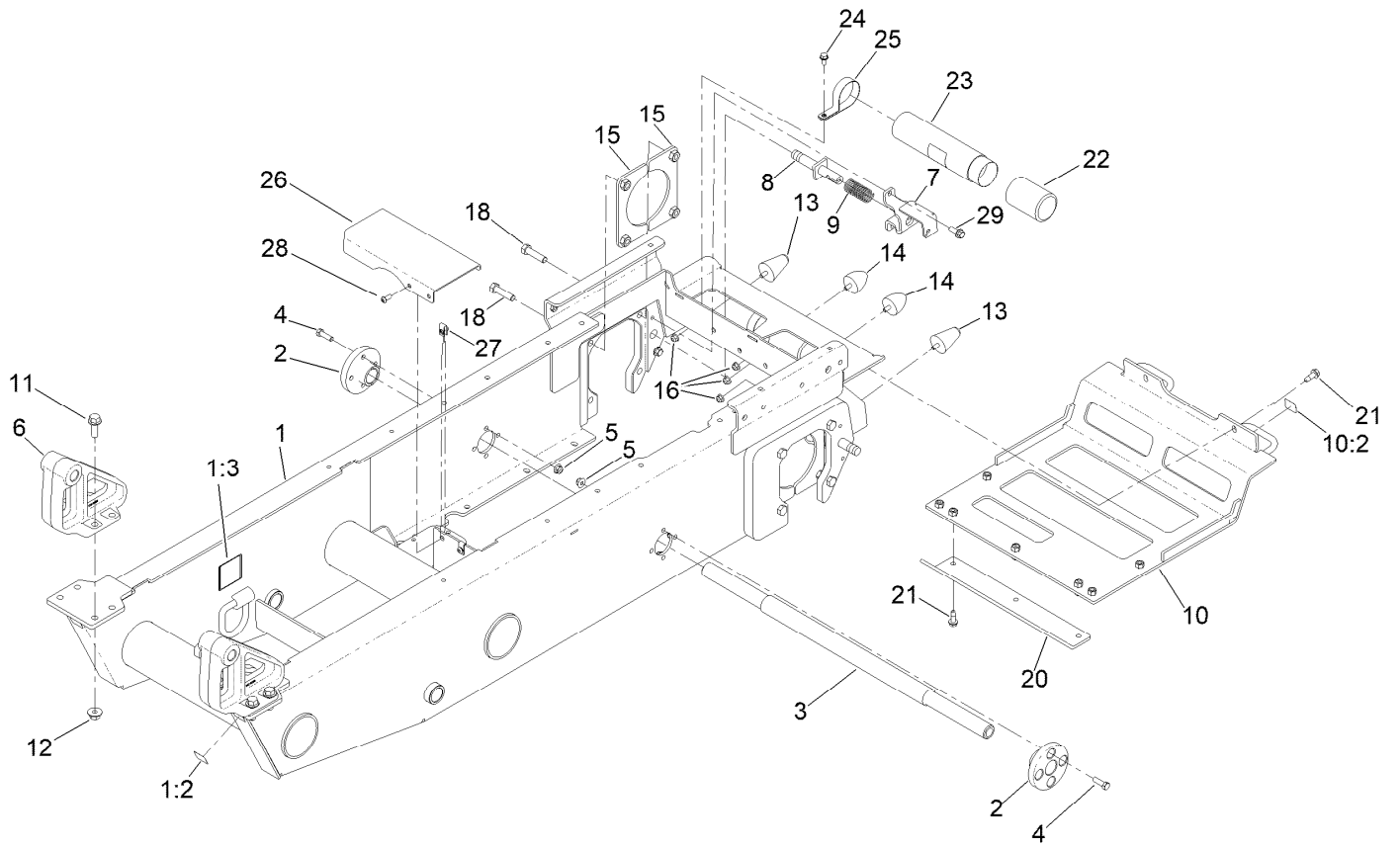
In an illustration, if a reference number indicates more than one part, the reference number has the form nX y. The n represents the quantity of the part, the X is the multiplication symbol, and the y represents the reference number.

For example, in an illustration, the reference number 2X 37 means that two of the parts identified by reference number 37 are indicated.

Contents

Frame Assembly	4
Hydraulic Pump Assembly	6
LH Hydro Transaxle Assembly No. 132-8802	8
RH Hydro Transaxle Assembly No. 132-8803	10
Hydraulic Manifold Assembly No. 132-8989	12
Engine Assembly	14
Hydraulic Gear Pump Assembly No. 132-8954	16
Fuel Tank and Tower Assembly	18
Track Assembly	20
Hopper Assembly	22
Electrical Harness Assembly	24
Control Assembly	26
Platform Assembly	28
Hood Assembly	30
Attachments and Accessories	32

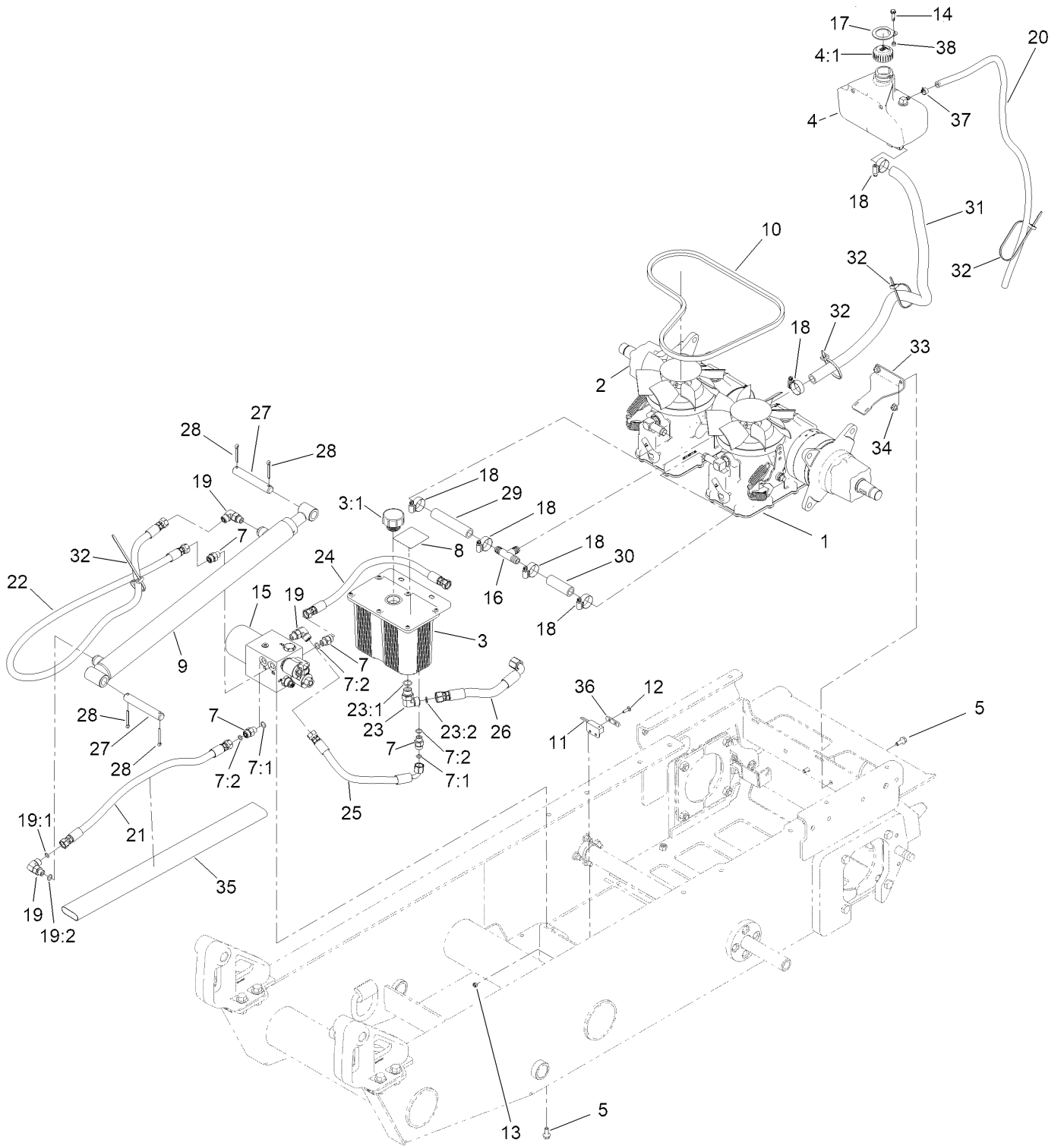
Frame Assembly



Frame Assembly (continued)

<i>Ref.</i>	<i>Part Number</i>	<i>Qty.</i>	<i>Description</i>	<i>Ref.</i>	<i>Part Number</i>	<i>Qty.</i>	<i>Description</i>
1	139-7198	1	Frame ASM- Straight	14	114-1926	2	Bumper-Rubber
1:2	125-4967	2	Decal-Lift Here	15	132-8936-05	4	Hydro Mounting Plate ASM (Welded)
1:3	132-9051	2	Decal-Tiedown	16	119-4041	4	Nut-HF
2	132-9075	2	Hub-Mount, Track	18	325-8	8	Screw-HH
3	125-0425	1	Shaft-Track	20	136-4611-05	1	Plate-Skid
4	323-7	8	Screw-HH	21	105-6245	9	Screw-Tapping
5	119-4042	8	Nut-HF, NI	22	104-7048	1	Cap-Housing
6	132-9025-05	2	Pivot-Dump (Machined)	23	104-7050	1	Tube-Manual
7	130-5284-05	2	Bracket-Brake ASM	24	32144-70	2	Screw-HWHTF
8	132-8866	2	Shaft-Brake	25	2412-133	2	Clamp-R
9	125-0344	2	Spring-Compression	26	144-7389-05	1	Bracket, Manifold Shield
10	136-4651	1	Plate-Side	27	115-7721	2	Nut-Clip, U
10:2	132-9051	2	Decal-Tiedown	28	3274-55	2	Screw-HSBH
11	130-6482	8	Screw-HHF	29	3234-42	4	Screw-HHF
12	32128-52	8	Nut-Lock, Flg				
13	114-1925	2	Bumper-Rubber				

Hydraulic Pump Assembly

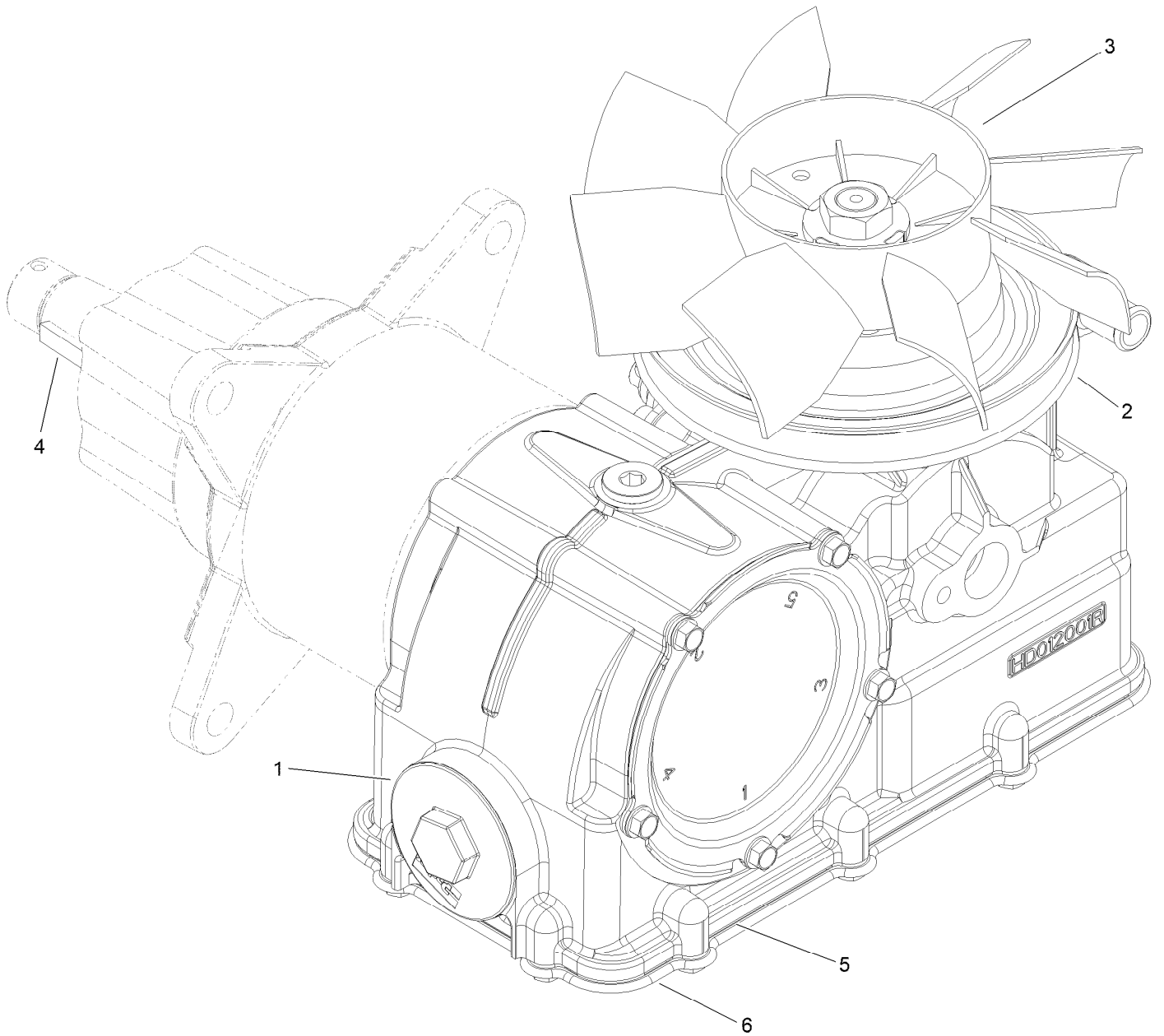


Hydraulic Pump Assembly (continued)

<i>Ref.</i>	<i>Part Number</i>	<i>Qty.</i>	<i>Description</i>	<i>Ref.</i>	<i>Part Number</i>	<i>Qty.</i>	<i>Description</i>
1	132-8802	1	LH Hydro Transaxle ASM	19:1	237-22	1	O-Ring
2	132-8803	1	RH Hydro Transaxle ASM	19:2	237-42	1	O-Ring
3	109-0448	1	Tank-Hydraulic	20	132-7563	1	Hose-Fuel
3:1	103-1948	1	Cap-Reservoir, HYD	21	132-8941	1	Hose-Hydraulic
4	138-3164	1	Tank-Hydraulic	22	144-7464	1	Hose ASM-HYD
4:1	133-8677	1	Cap-Vented	23	340-98	1	Fitting-Elbow, 90 DEG
5	3234-47	5	Screw-HHF	23:1	237-79	1	O-Ring
7	340-2	4	Fitting-Straight	23:2	237-30	1	O-Ring
7:1	237-22	1	O-Ring	24	144-7465	1	Hose ASM-HYD
7:2	237-42	1	O-Ring	25	144-7466	1	Hose ASM-HYD
8	115-4212	1	Decal-Warning	26	144-7468	1	Hose ASM-HYD
9	132-8835	1	Cylinder-Hydraulic	27	105-7456	2	Pin-Pivot
9:1	132-9084	1	Seal Kit ●	28	3290-256	4	Pin-Hair
10	138-7157	1	Belt And Spring Kit	29	132-8933	1	Hose-HYD, Hydro
11	100-1270	1	Sensor-Switch, Proximity	30	132-8934	1	Hose-HYD, Hydro
12	3229-20	2	Screw-CARR	31	132-8935	1	Hose-HYD, Hydro
13	3296-2	2	Nut-Lock, NI	32	3290-378	4	Tie-Cable
14	137-3711	1	Screw	33	132-9032-05	1	Bracket-Hose Retainer
15	132-8989	1	Hydraulic Manifold ASM	34	119-4041	2	Nut-HF
16	132-5127	1	Tee	35	100-6127	1	Sleeve-Protective
17	136-0549-07	1	Lock-Tank	36	132-9092	1	Plate-Switch, Proximity
18	144-2248	6	Clamp-Sc Band	37	92-2379	1	Clamp-Hose
19	340-77	3	Fitting-Elbow, 90 DEG	38	126-0416	1	Spacer

● Not illustrated

LH Hydro Transaxle Assembly No. 132-8802

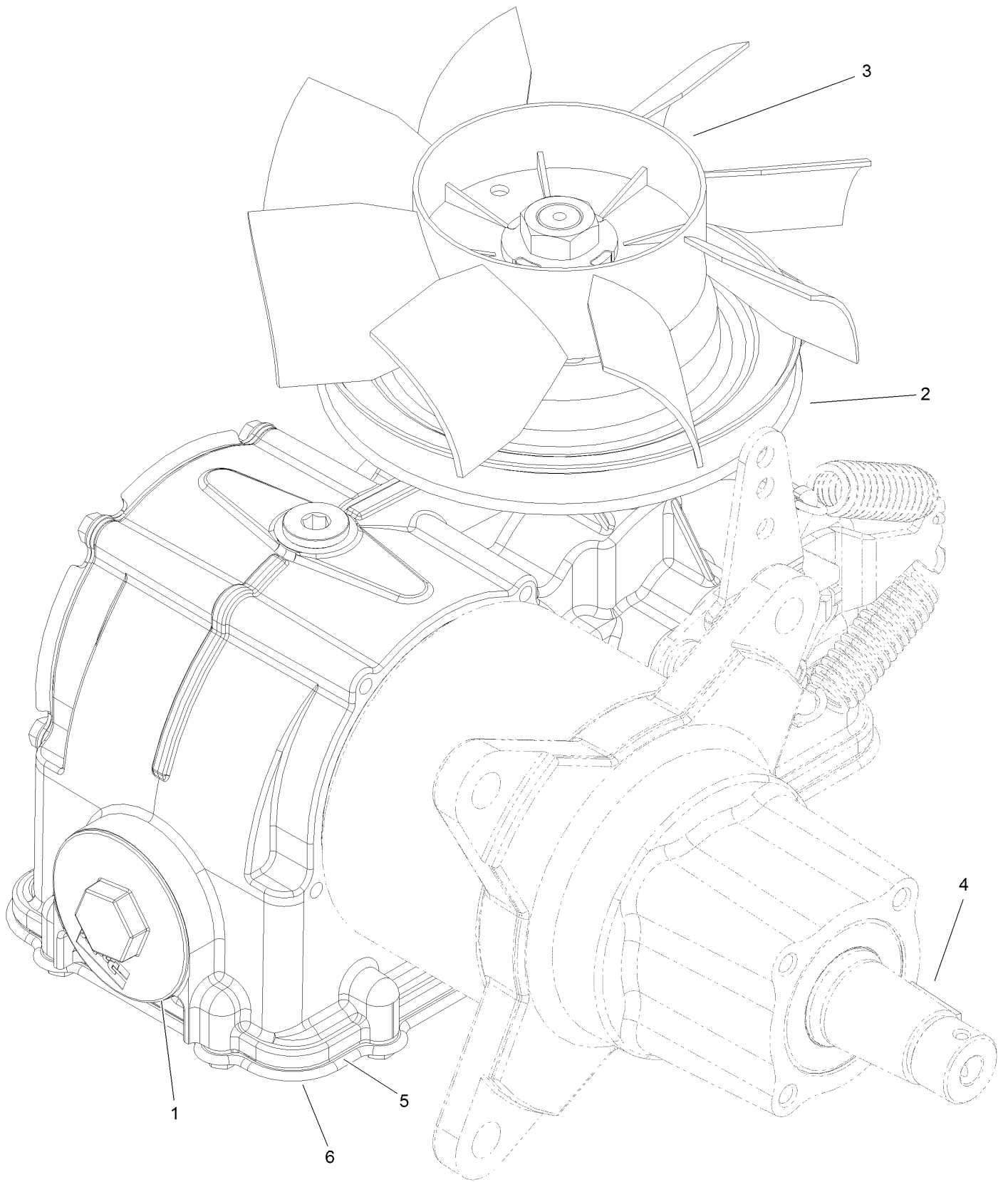


LH Hydro Transaxle Assembly No. 132-8802 (continued)

<i>Ref.</i>	<i>Part Number</i>	<i>Qty.</i>	<i>Description</i>	<i>Ref.</i>	<i>Part Number</i>	<i>Qty.</i>	<i>Description</i>
1	137-3772	1	Filter	6	139-7233	1	Cover-Service
2	137-3773	1	Pulley	7	145-1155	1	Kit-Seal, Motor ●
3	137-3774	1	Fan (8.3 Inch)	8	145-1156	1	Seal-Shaft ●
4	3257-42	1	Key-Woodruff	9	145-1166	1	Rtn ASM (LH) ●
5	140-1148	1	Gasket-Cover, Bottom				

● Not illustrated

RH Hydro Transaxle Assembly No. 132-8803

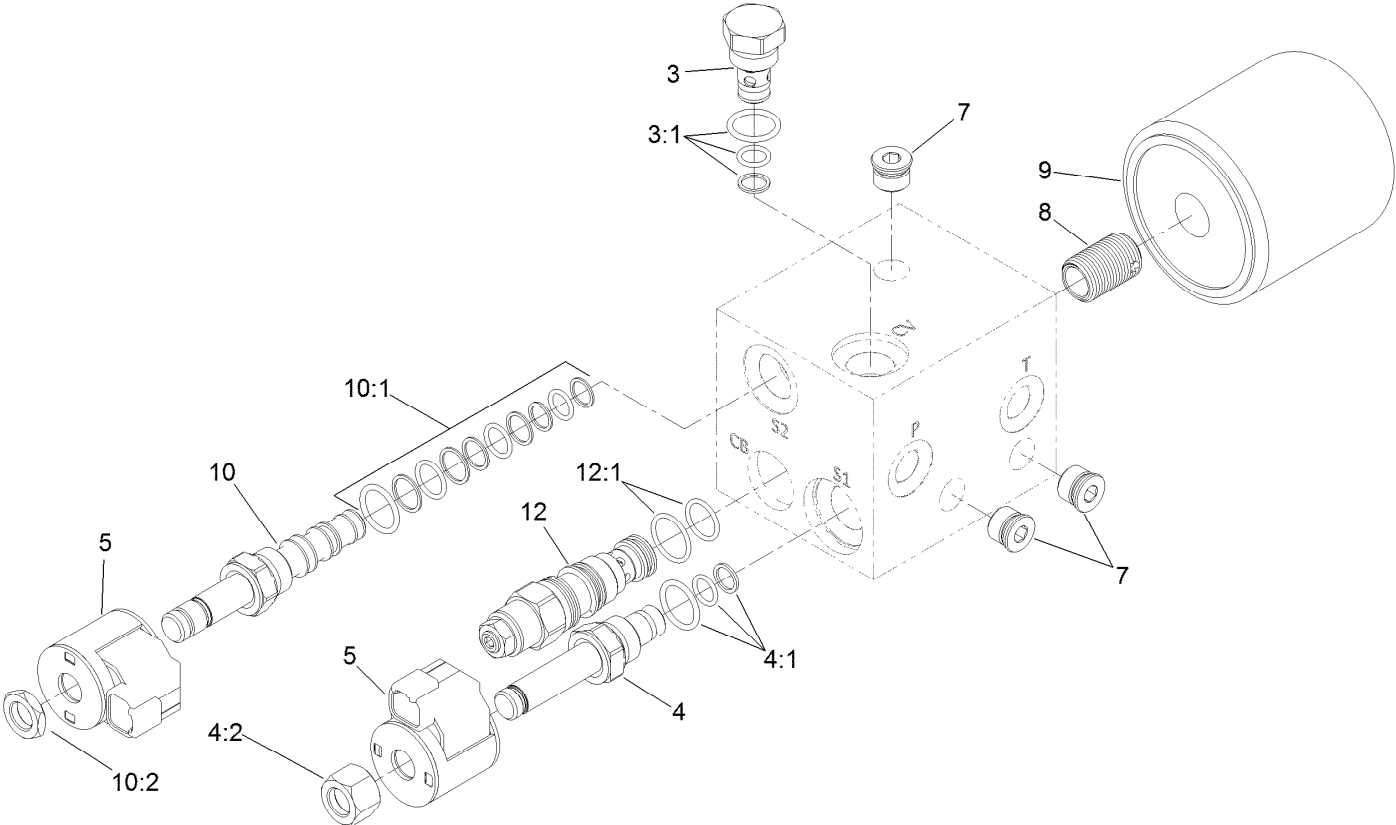


RH Hydro Transaxle Assembly No. 132-8803 (continued)

<i>Ref.</i>	<i>Part Number</i>	<i>Qty.</i>	<i>Description</i>	<i>Ref.</i>	<i>Part Number</i>	<i>Qty.</i>	<i>Description</i>
1	137-3772	1	Filter	6	139-7233	1	Cover-Service
2	137-3773	1	Pulley	7	145-1155	1	Kit-Seal, Motor ●
3	137-3774	1	Fan (8.3 Inch)	8	145-1156	1	Seal-Shaft ●
4	3257-42	1	Key-Woodruff	9	145-1167	1	Rtn ASM (RH) ●
5	140-1148	1	Gasket-Cover, Bottom				

● Not illustrated

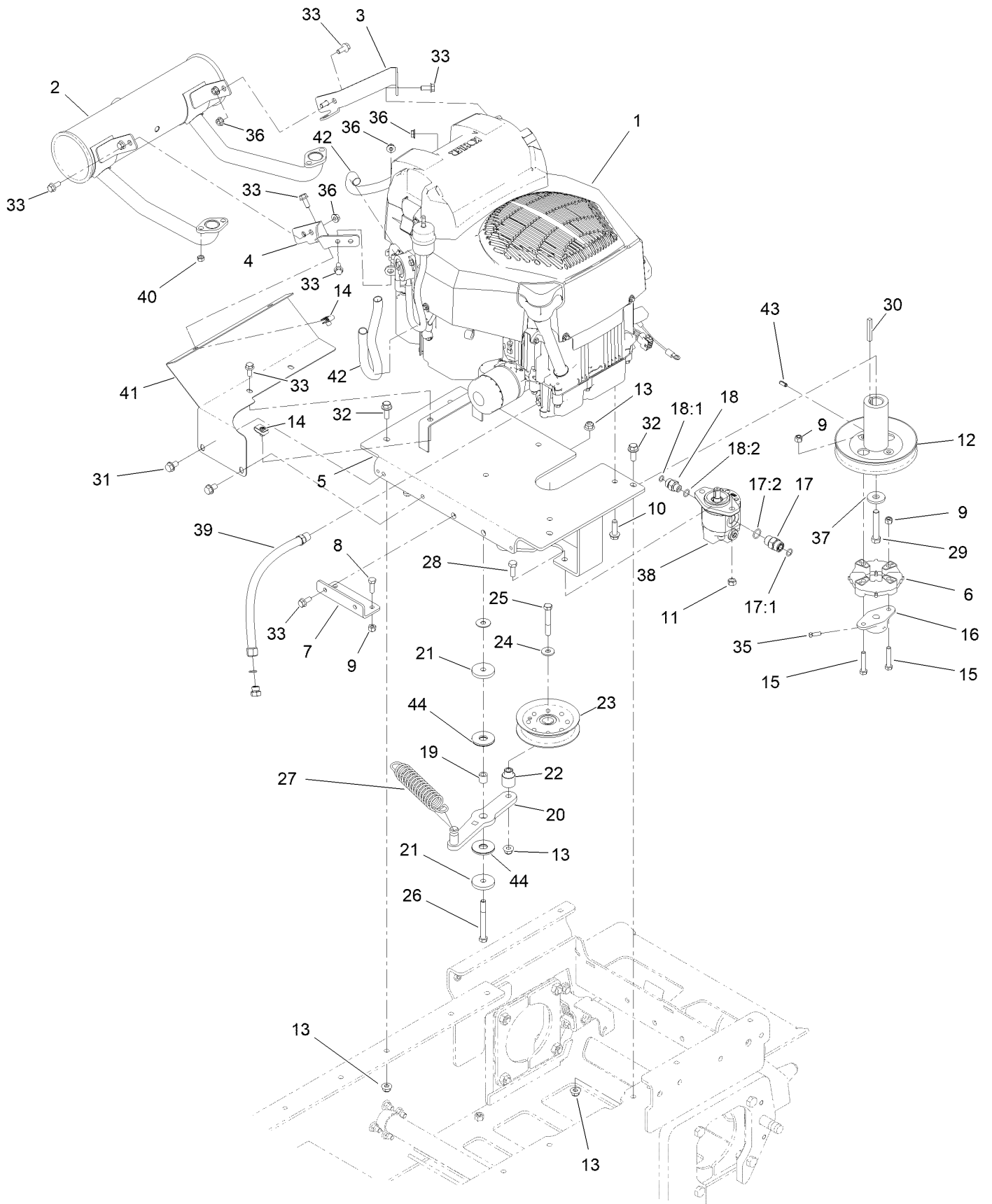
Hydraulic Manifold Assembly No. 132-8989



Hydraulic Manifold Assembly No. 132-8989 (continued)

<i>Ref.</i>	<i>Part Number</i>	<i>Qty.</i>	<i>Description</i>	<i>Ref.</i>	<i>Part Number</i>	<i>Qty.</i>	<i>Description</i>
3	105-9321	1	Check Valve ASM	8	127-3885	1	Nipple-Filter
3:1	105-9156	1	Seal Kit	9	1-633750	1	Filter-Oil, HYD
4	107-7517	1	Valve-Solenoid	10	120-1665	1	Valve-Solenoid
4:1	105-9156	1	Seal Kit	10:1	112-6520	1	Seal Kit
4:2	107-7812	1	Nut-Solenoid	10:2	110-2634	1	Nut-Coil
5	119-8036	2	Coil	12	114-5082	1	Valve-Balance, Counter
7	112-9213	3	Plug	12:1	114-5083	1	Seal Kit

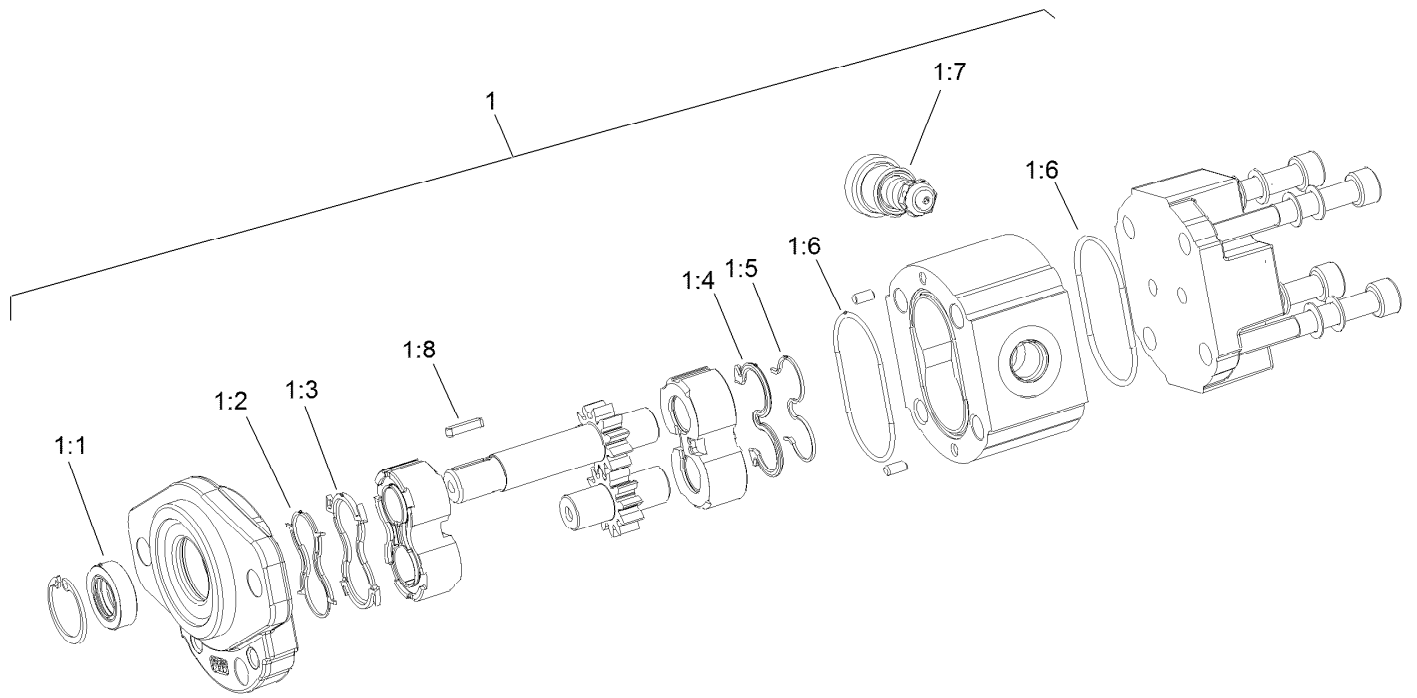
Engine Assembly



Engine Assembly (continued)

<i>Ref.</i>	<i>Part Number</i>	<i>Qty.</i>	<i>Description</i>	<i>Ref.</i>	<i>Part Number</i>	<i>Qty.</i>	<i>Description</i>
1	139-7245	1	Engine-Kohler, Zt740 [service]	20	132-9086-05	1	Idler Arm ASM (Welded)
2	132-8995	1	Muffler-Kohler	21	110-9981	2	Washer-Plain
3	132-8916-05	1	Bracket-Muffler	22	132-9080	1	Bushing-Idler
4	132-8917-05	1	Bracket-Muffler	23	116-3626	1	Pulley-Idler
5	132-8907-05	1	Engine Plate ASM (Welded)	24	80-6990	1	Washer-Hardened
6	119-0652	1	Coupler-Rubber	25	323-12	1	Screw-HH
7	132-8940-05	1	Bracket-Tank, Hydro	26	323-15	1	Screw-HH
8	322-5	2	Screw-HH	27	138-7110	1	Spring-Extension
9	3296-29	6	Nut-Lock, NI	28	323-6	2	Screw-HH
10	32144-109	4	Screw-Thd	29	3212-10	1	Screw-HH
11	125-5069	2	Nut-Hex	30	103-4177	1	Key
12	132-8938	1	Pulley-Engine	31	32144-15	2	Screw-HHFTF
13	119-4042	6	Nut-HF, NI	32	3234-42	4	Screw-HHF
14	115-7721	4	Nut-Clip, U	33	3234-47	14	Screw-HHF
15	322-9	4	Screw-HH	35	3241-6	2	Screw-SQH
16	132-9033	1	Hub-Pump	36	32128-26	8	Nut-HF
17	340-4	1	Fitting-Straight	37	110-6147	1	Washer-Flat
17:1	237-30	1	O-Ring	38	132-8954	1	Pump-Gear
17:2	237-79	1	O-Ring	39	117-1261	1	Hose-Drain, Oil
18	340-2	1	Fitting-Straight	40	114-3549	4	Nut
18:1	237-22	1	O-Ring	41	139-7232-05	1	Shield-Manifold
18:2	237-42	1	O-Ring	42	136-4617	2	Sleeve-Thermal
19	75-5270	1	Spacer-Knob, Seat	43	32121-134	1	Pin-Roll
				44	114-0463	2	Washer-Friction, Composite

Hydraulic Gear Pump Assembly No. 132-8954

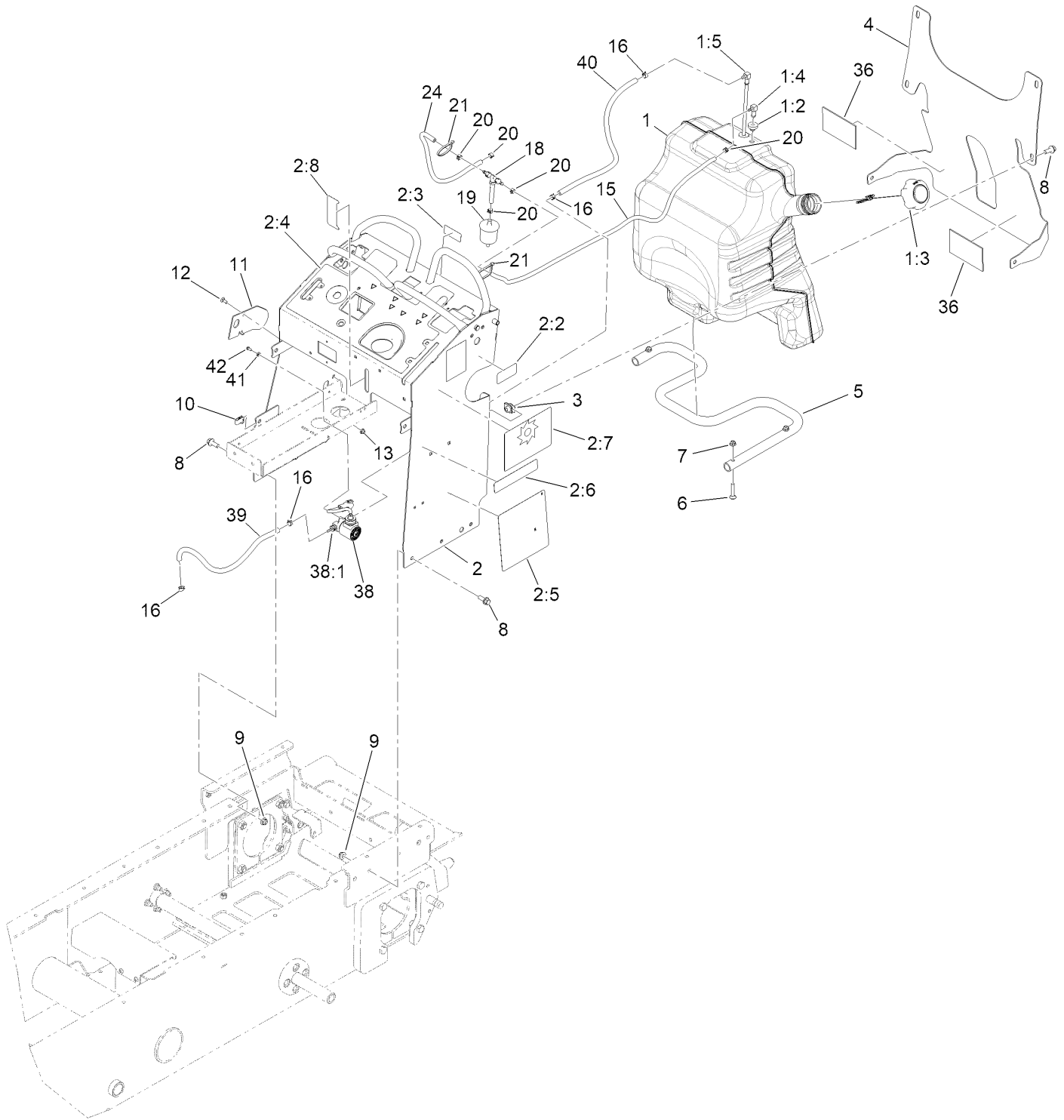


Hydraulic Gear Pump Assembly No. 132-8954 (continued)

<i>Ref.</i>	<i>Part Number</i>	<i>Qty.</i>	<i>Description</i>	<i>Ref.</i>	<i>Part Number</i>	<i>Qty.</i>	<i>Description</i>
1	132-8969	1	Seal-Kit	1:5		1	Anti Extrusion ●
1:1		1	Shaft Seal ●	1:6		2	O-Ring Seal ●
1:2		1	Anti Extrusion ●	1:7		1	O-Ring Seal ●
1:3		1	Upper Seal ●	1:8		1	Key ●
1:4		1	Seal ●				

● Not serviced separately

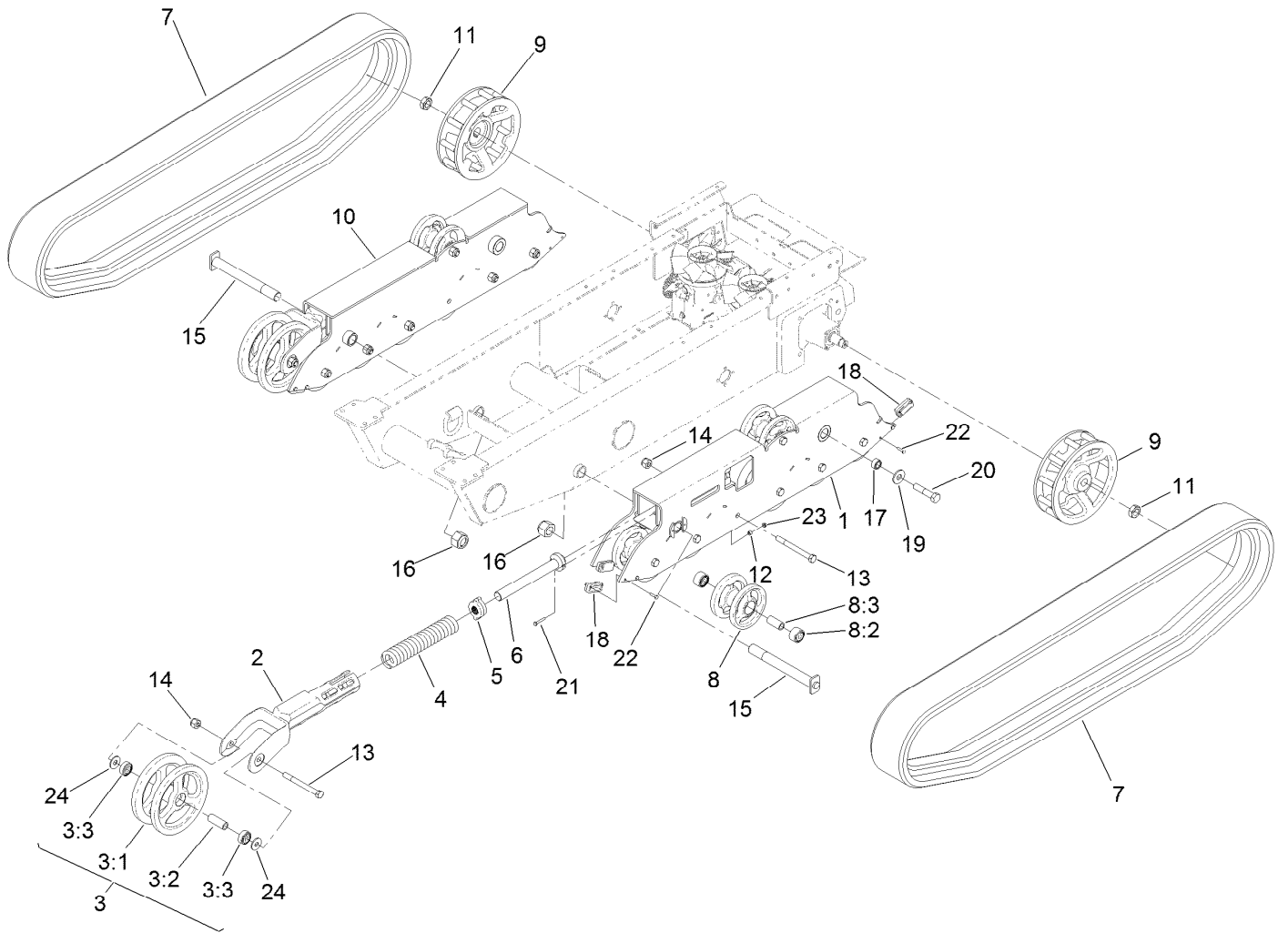
Fuel Tank and Tower Assembly



Fuel Tank and Tower Assembly (continued)

<i>Ref.</i>	<i>Part Number</i>	<i>Qty.</i>	<i>Description</i>	<i>Ref.</i>	<i>Part Number</i>	<i>Qty.</i>	<i>Description</i>
1	132-7560	1	Fuel Tank ASM	9	119-4042	6	Nut-HF, NI
1:2	46-6560	2	Bushing	10	115-7721	5	Nut-Clip, U
1:3	137-4127	1	Cap-Fuel	11	131-7455	1	Plate-Striker
1:4	104-5228	1	Fitting-Elbow, 90 DEG	12	3229-11	1	Screw-CARR
1:5	145-6195	1	ASM, Tube-Fuel	13	104-7201	1	Nut-HF, NI
2	163-7837	1	Tower ASM	15	110-3958	1	Hose-Fuel
2:2	116-8775	1	Decal-Fill, Fuel	16	2412-98	4	Clamp-Hose
2:3	132-9052	1	Decal-Fuse	18	116-5464	1	Tee And Check
2:4	139-7219	1	Decal-Control Panel	19	120-2235	1	Filter-Fuel
2:5	147-3269	1	Decal-Service, 2500-T	20	2412-146	5	Clamp-Hose
2:6	147-3266	2	Decal- 2500-T	21	3290-378	2	Tie-Cable
2:7	136-4564	2	Decal-Srvsw5X7	24	132-9046	1	Hose-Fuel
2:8	137-0575	1	Decal-Level, Oil	36	98-1386	2	Pad-Foam
3	105-4886	4	Nut-Tinnerman	38	163-7721	1	Valve-Shutoff
4	147-3226-05	1	Bracket-Cross	38:1	115-1447	1	Fitting-Straight
5	132-5161-05	1	Tube-Fuel Tank Mount	39	114-4428	1	Hose-Fuel
6	3230-5	3	Bolt-CARR	40	109-0301	1	Hose-Fuel
7	119-4041	3	Nut-HF	41	99-3058	2	Washer
8	3234-42	10	Screw-HHF	42	25-8640	2	Screw-HH

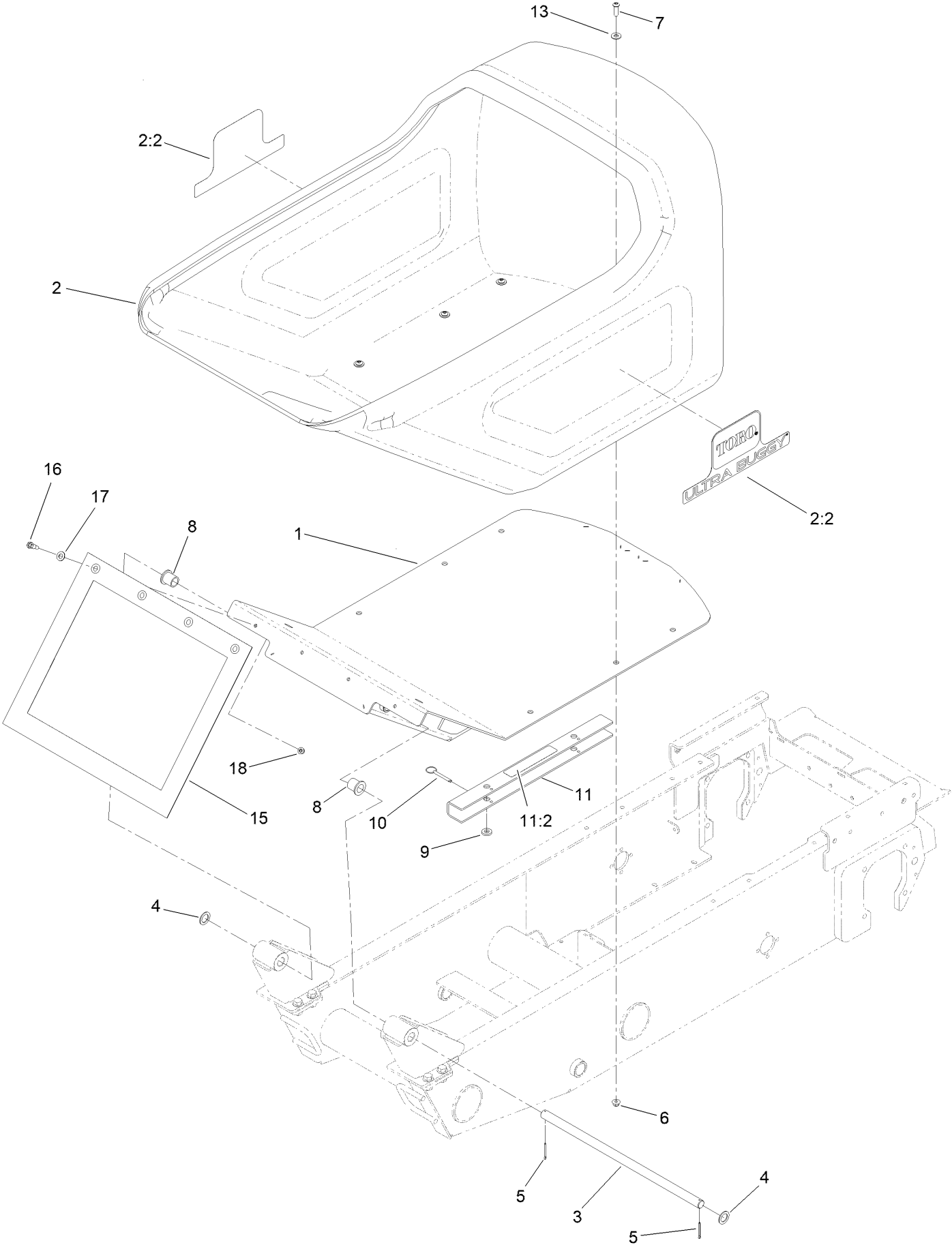
Track Assembly



Track Assembly (continued)

<i>Ref.</i>	<i>Part Number</i>	<i>Qty.</i>	<i>Description</i>	<i>Ref.</i>	<i>Part Number</i>	<i>Qty.</i>	<i>Description</i>
1	132-8813-05	1	Wheel Mount ASM, LH (Wld)	11	26-3790	2	Nut-Lock
2	108-4691-05	2	Arm-Tensioner, [blk-Txt]	12	98-4799	2	Spacer
3	104-5745	2	Tensioner Wheel ASM	13	327-17	16	Screw-HH
3:1	104-5747-03	1	Wheel-Tensioner	14	3296-24	16	Nut-Hex
3:2	98-9835	1	Spacer-Wheel, Tensioner	15	130-1050	2	Pin-Track
3:3	120-5378	2	Bearing-Ball	16	125-0399	2	Nut-HH
4	95-3624	2	Spring-Compression	17	132-8944	2	Spacer-Track, Outside Mount
5	108-4664	2	Block-Tensioner	18	132-6053	8	Block-Track
6	127-9563	2	Bolt-Tensioner	19	99-2659	2	Washer
7	137-8712	2	Track	20	328-5	2	Screw-HH
8	138-5231	14	Wheel ASM	21	321-37	2	Screw-HH
8:2	138-0547	2	Bearing-Ball	22	321-6	16	Screw-HH
8:3	130-7564	1	Spacer-Wheel	23	32128-32	2	Nut-HHF
9	132-8893-05	2	Wheel-Drive, Mud Buggy	24	3256-7	4	Washer-Flat
10	132-8814-05	1	Wheel Mount ASM, RH (Wld)				

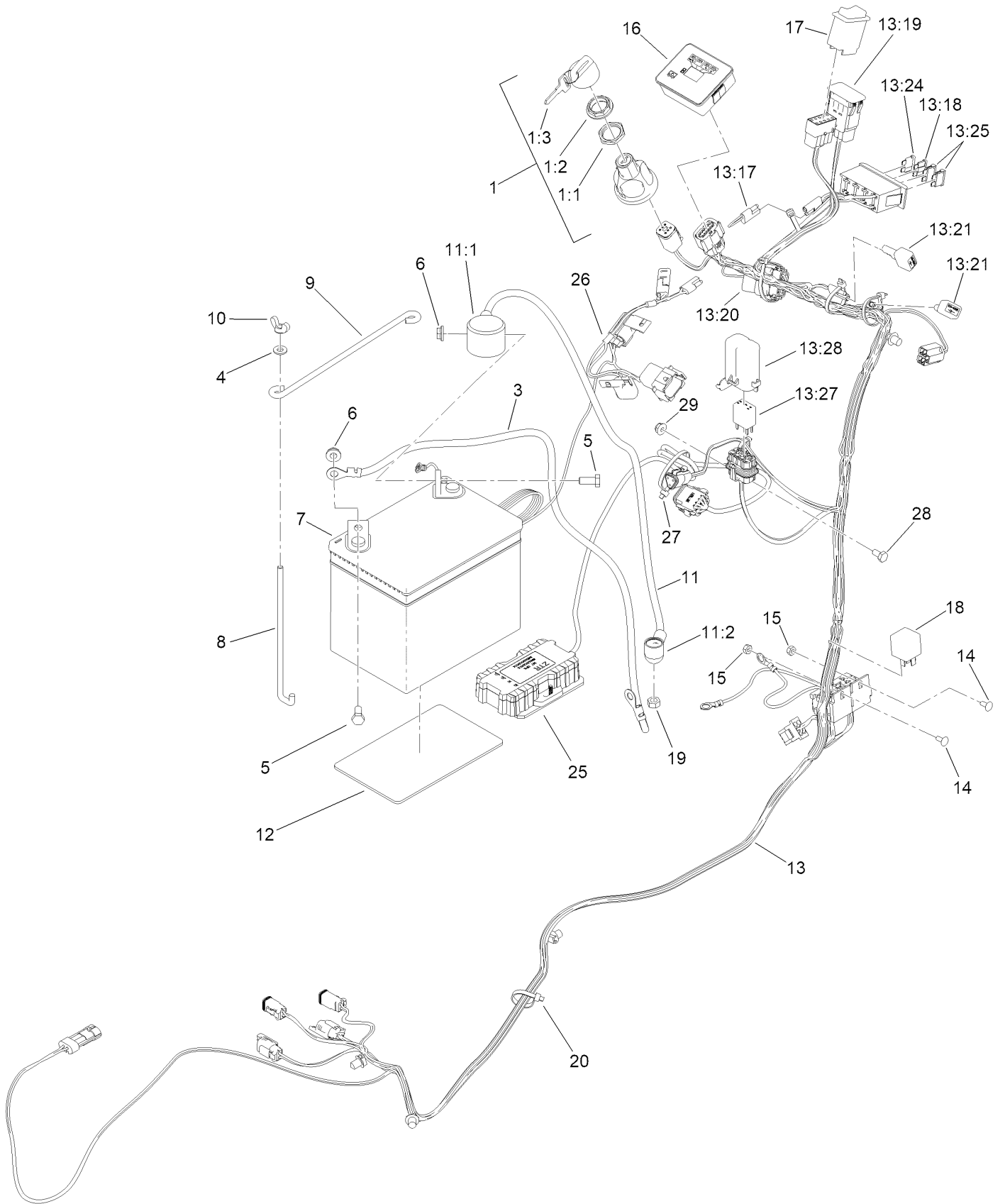
Hopper Assembly



Hopper Assembly (continued)

<i>Ref.</i>	<i>Part Number</i>	<i>Qty.</i>	<i>Description</i>	<i>Ref.</i>	<i>Part Number</i>	<i>Qty.</i>	<i>Description</i>
1	139-7207	1	Frame-Hopper ASM	9	83-1470	2	Washer-Neoprene
2	139-7240	1	Hopper-Mortar, ASM	10	108-0094	2	Pin-Cotterless
2:2	147-3262	2	Decal-Tub, Ultra Buggy	11	130-5315	1	Arm-Locking
3	132-8854	1	Shaft-Pivot, Tub	11:2	115-4858	1	Decal-Danger
4	99-4958	2	Spacer	13	3256-4	6	Washer-Flat
5	3272-13	2	Pin-Cotter	15	161-3070	1	Shield-Splatter
6	119-4042	6	Nut-HF, NI	16	28-0540	4	Bolt-Shoulder
7	3274-63	6	Screw-HSBH	17	3256-25	4	Washer-Flat
8	1-303514	2	Bearing-Flanged	18	119-4041	4	Nut-HF

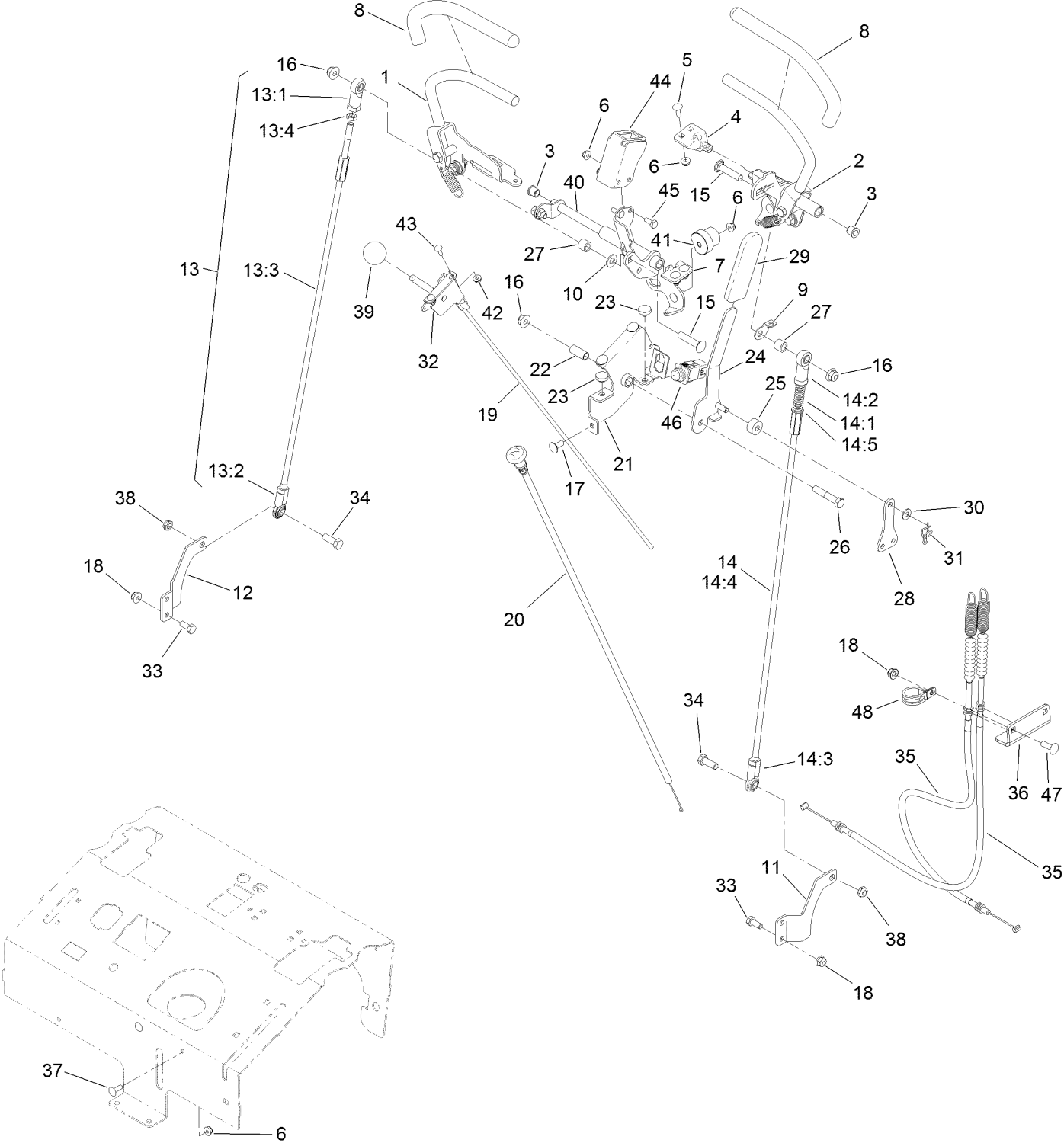
Electrical Harness Assembly



Electrical Harness Assembly (continued)

<i>Ref.</i>	<i>Part Number</i>	<i>Qty.</i>	<i>Description</i>	<i>Ref.</i>	<i>Part Number</i>	<i>Qty.</i>	<i>Description</i>
1	161-4693	1	Switch-Ignition	13:20	122-3975	1	Harness-Wire, Jumper
1:1	121-5160	1	Nut-Hex	13:21	100-4918	2	Diode
1:2	122-2704	1	Nut-Face, M22 (Plastic)	13:24	94-6710	1	Fuse-2 Amp
1:3	121-5162	1	Set-Key, Ignition	13:25	109355	2	Fuse-Blade, 15 Amp
3	117-7240	1	Cable-Battery, Negative	13:27	122-0368	1	Relay-280 ISO
4	3256-22	2	Washer-Flat	13:28	32180-183	1	Cover-Cooper-Bussman, Relay End Brkt
5	322-3	2	Screw-HH	14	1-807513	2	Bolt-CARR
6	32128-20	2	Nut-HF	15	3296-2	2	Nut-Lock, NI
7	161-3049	1	Battery-12V, 350CCA	16	132-8959	1	Module, Hour Meter
8	100-6435	2	Post-Battery	17	AU113664	1	Switch-Rocker, 2 Pole
9	100-6434	1	Rod-Hold Down, Battery	18	1-643275	1	Relay
10	32103-22	2	Nut-Wing	19	33014-00	1	Nut-Hex
11	109-7630	1	Positive Battery Cable ASM	20	3290-378	1	Tie-Cable
11:1	109-2407	1	Insulator-Battery	25	140-7684	1	M7L-Lite Ztr Kit ASM
11:2	1-543393	1	Insulator-Solenoid	26	122-2112	1	Harness-Wire, Machine Ztr
12	62-4300	1	Pad-Skid, Anti	27	3290-378	3	Tie-Cable
13	122-3970	1	Harness-Wire, Main	28	321-2	1	Screw-HH
13:17	32180-416	1	Cap-Tethered	29	104-7201	1	Nut-HF, NI
13:18	114241	1	Fuse-Blade, 7.5 Amp				
13:19	122-4076	1	Plug Panel				

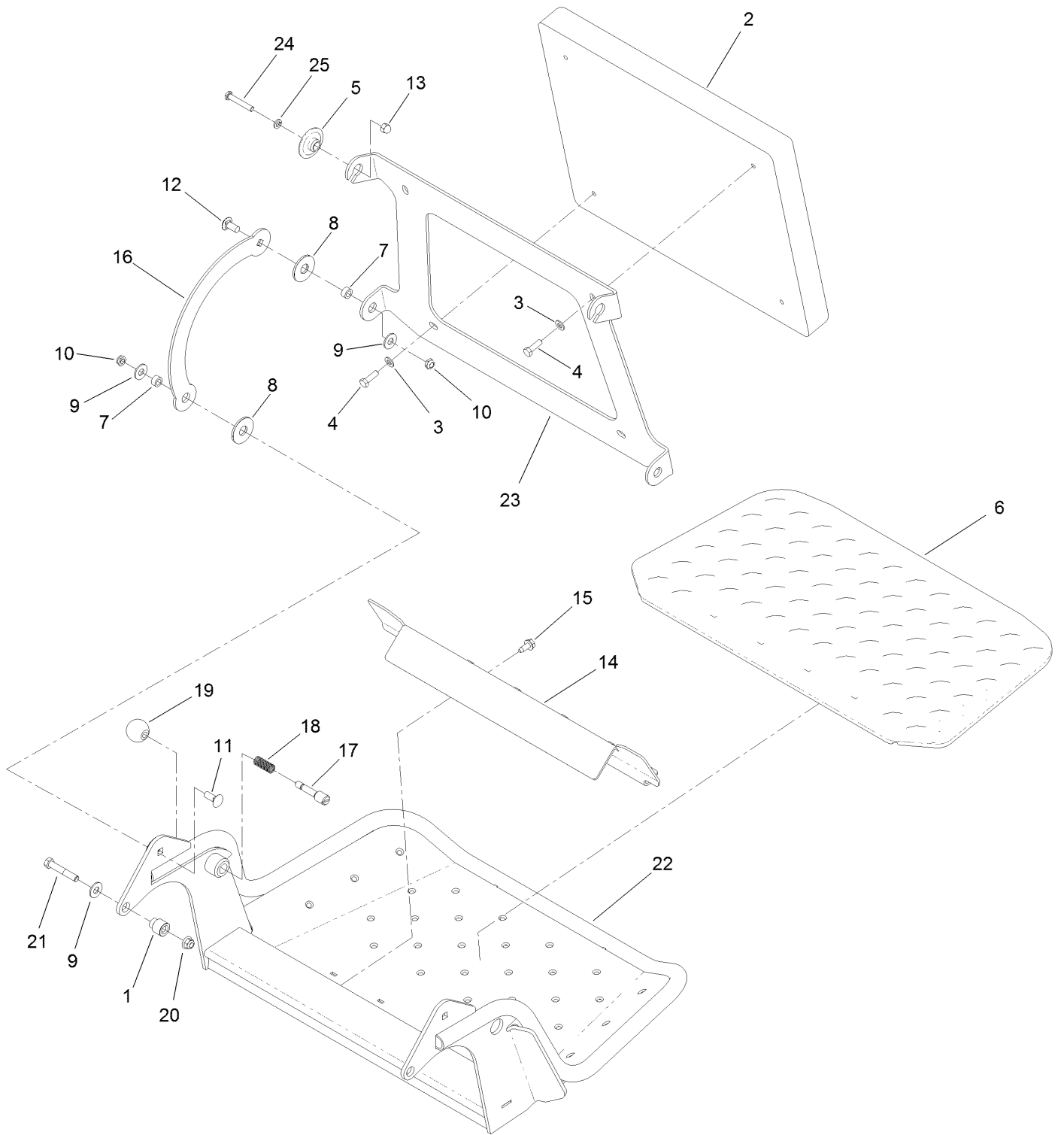
Control Assembly



Control Assembly (continued)

<i>Ref.</i>	<i>Part Number</i>	<i>Qty.</i>	<i>Description</i>	<i>Ref.</i>	<i>Part Number</i>	<i>Qty.</i>	<i>Description</i>
1	132-9048	1	RH Control Handle ASM	22	131-3562	1	Bearing-Sleeve
2	132-9047	1	LH Control Handle ASM	23	1-513658	2	Bumper
3	103-9928	2	Bearing	24	132-8920-05	1	Handle-Brake Arm
4	120-3288	1	Tab-Pivot, LH	25	132-9064	1	Bushing-Brake
5	3229-1	4	Screw-CARR	26	323-10	1	Screw-HH
6	104-7201	10	Nut-HF, NI	27	93-9847	2	Spacer
7	120-3287	1	Tab-Pivot, RH	28	132-1188	1	Yoke-Cable
8	119-0222	2	Grip	29	1-633268	1	Grip-Lever
9	132-7538	1	Bracket-Adjustment, Speed	30	93-6079	1	Spacer-Nylon
10	3256-24	1	Washer-Plain	31	112-1491	1	Pin-Cotter
11	131-5748-05	1	Bracket-Hydro [blk-Txt]	32	110-5547	1	Lever-Control
12	131-5747-05	1	Bracket-Hydro [blk-Txt]	33	322-3	5	Screw-HH
13	138-8642	1	RH Control Rod ASM	34	323-6	2	Screw-HH
13:1	92-7008	1	End-Rod, Female	35	132-8921	2	Cable-Brake
13:2	103-1167	1	Joint-Ball End, LH	36	132-8923-05	1	Bracket-Cable, Brake
13:3	138-8641	1	Rod-Control	37	3229-25	2	Screw-CARR
13:4	3220-3	1	Nut-HJ	38	3296-59	2	Nut-Lock, NI
14	138-8643	1	LH Control Rod ASM	39	1-603175	1	Knob-Ball
14:1	1-603807	1	Spring-Return, Neutral	40	132-9029-05	1	Pivot/Plate Switch ASM (Weld)
14:2	92-7008	1	End-Rod, Female	41	126-1499	2	Cam
14:3	103-1167	1	Joint-Ball End, LH	42	32128-17	2	Nut-Lock, Flange
14:4	138-8641	1	Rod-Control	43	1-807533	2	Bolt-CARR
14:5	3256-45	2	Washer-Flat	44	132-9027-05	1	Bracket-Switch
15	3231-29	2	Screw-CARR	45	321-3	2	Screw-HH
16	119-4042	3	Nut-HF, NI	46	100-1268	1	Switch-Plunger
17	137-3061	3	Bolt-CARR	47	3230-22	2	Screw-CARR
18	119-4041	10	Nut-HF	48	2412-104	1	Clamp-R
19	115-1211	1	Cable-Control				
20	132-9035	1	Cable-Choke				
21	132-8919-05	1	Bracket-Brake Pivot (Welded)				

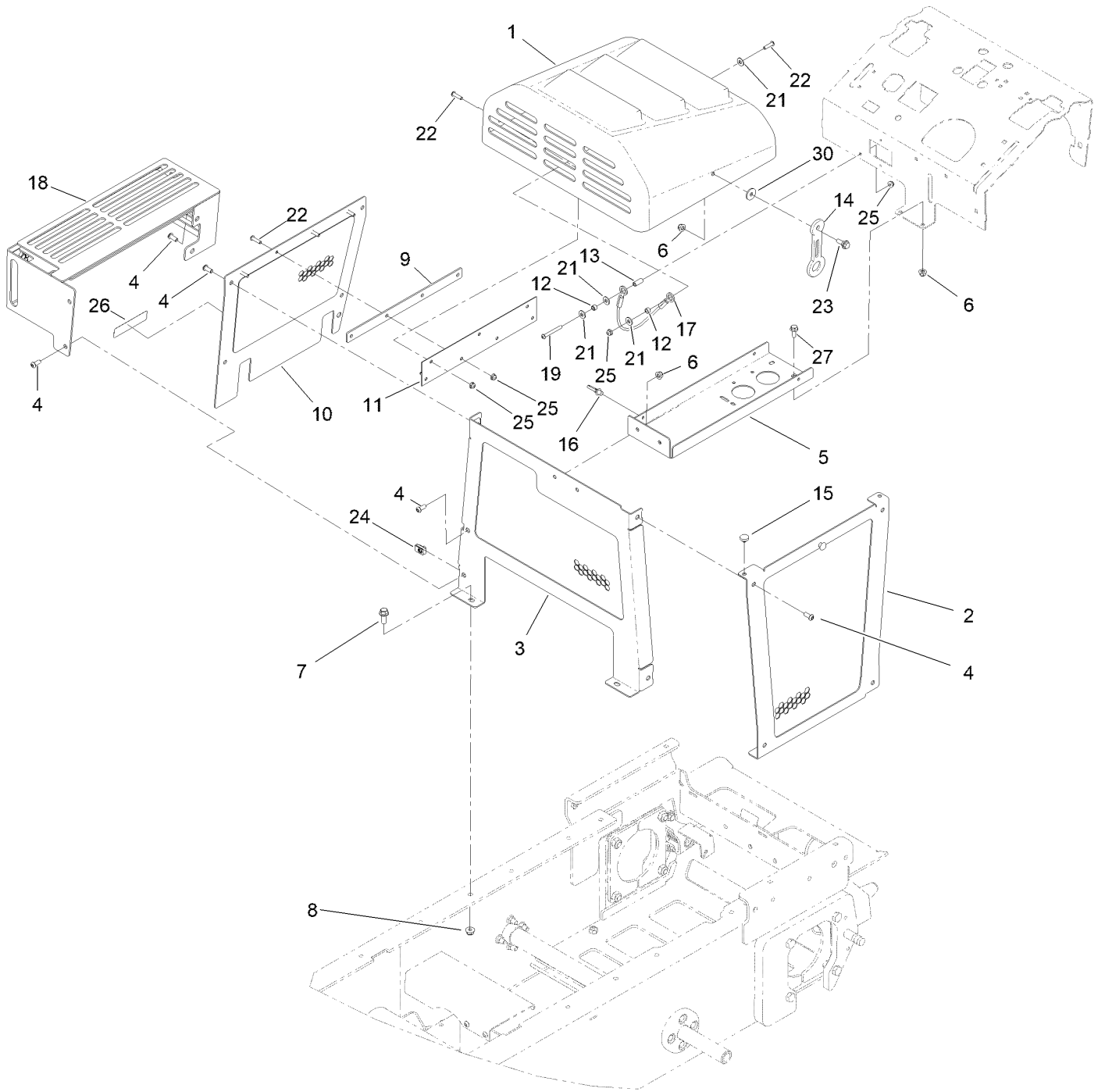
Platform Assembly



Platform Assembly (continued)

<i>Ref.</i>	<i>Part Number</i>	<i>Qty.</i>	<i>Description</i>	<i>Ref.</i>	<i>Part Number</i>	<i>Qty.</i>	<i>Description</i>
1	132-7583	2	Bushing-Flanged	14	136-5669-05	1	Clamp-Shield
2	117-9739	1	Pad-Cushion	15	32144-70	2	Screw-HWHTF
3	3256-23	4	Washer-Plain	16	114-1915-05	2	Link-Pad
4	121-7999	4	Screw-HH, Patch	17	119-8650	1	Pin-Latch
5	116-2886	2	Slide-Bushing	18	114-5348	1	Spring
6	126-7157	1	Mat-Platform	19	1-603175	1	Knob-Ball
7	111044	4	Spacer	20	119-4042	2	Nut-HF, NI
8	114-0463	4	Washer-Friction, Composite	21	323-11	2	Screw-HH
9	3256-4	6	Washer-Flat	22	161-6796-05	1	Platform ASM [blk-Txt]
10	3296-59	4	Nut-Lock, NI	23	120-8499-05	1	Hinge-Pad
11	3231-2	2	Bolt-CARR	24	120-6000	2	Bolt-TAP, HH
12	3231-22	2	Screw-CARR	25	3253-4	2	Washer-Lock
13	137-4808	2	Nut-Acorn				

Hood Assembly



Hood Assembly (continued)

<i>Ref.</i>	<i>Part Number</i>	<i>Qty.</i>	<i>Description</i>	<i>Ref.</i>	<i>Part Number</i>	<i>Qty.</i>	<i>Description</i>
1	136-4639	1	Hood	15	1-513658	2	Bumper
2	132-8886-07	1	Panel-Side, LH	16	32180-118	2	Clip-Tie
3	138-8619-07	1	Panel-Front (Welded)	17	130-5726	1	Lanyard
4	3274-55	14	Screw-HSBH	18	136-4592-07	1	Guard-Muffler
5	163-7828-05	1	Platform-Battery	19	120-2011	1	Screw-HSBH
6	119-4041	5	Nut-HF	21	3256-2	4	Washer-Flat
7	3234-42	2	Screw-HHF	22	3274-65	8	Screw-HSBH
8	119-4042	2	Nut-HF, NI	23	116-2670	1	Screw-Shoulder
9	132-9050-05	1	Plate-Spacer, Hood	24	115-7721	6	Nut-Clip, U
10	132-3905-07	1	Panel-Side, Upper	25	104-7201	9	Nut-HF, NI
11	132-9021	1	Hinge-Hood	26	133-8062	1	Decal-Spark Arrestor
12	55-9370	2	Spacer-Blade, Rotor	27	3234-47	2	Screw-HHF
13	87-4710	1	Spacer-Brake, Parking	30	115-7109	1	Washer-Flat
14	ST47182	1	Latch-Rubber				

Attachments and Accessories

For 68138G — Ultra Buggy 2500-T

Product Name	Model/Part
Hypr-Oil 500 (quart)	114-4713
Hypr-Oil 500 (gallon).....	114-4714
Hypr-Oil 500-5 (5 gallon).....	114-4715
Light Kit.....	137-0558
Oil-30/10W-30 Synthetic (Quart).....	138-6053
Decal Kit - HERC	145-6938
Kit, Decal-Equip Share MBTX2500-TS	163-3231
Kit-Fuel Shut-Off Valve	163-8685
Toro Red 12oz Aerosol Can	361-10
New Red Paint - Gallon	361-11
Semi-Gloss Black Spray Paint	361-9
10W30 4-Cycle Engine Oil (32oz Bottle).....	38280
Steel Tub Accessory For Material Buggies	68101
Spark Arrestor	98-9099

Notes:

Notes:

Notes:



Count on it.