



**Count on it.**

**Parts Catalog**

**26in 8-Blade Cutting Unit  
Greensmaster® 1026 Mower**

Model No. 04842—Serial No. 420000000 and Up



# Ordering Replacement Parts

To order replacement parts, please supply the part number, the quantity, and the description of each part desired.

## Understanding Reference Numbers

Each identified part in an illustration has a reference number. The reference number for a part also appears in the parts list, along with other information about the part.

This catalog uses two special reference number formats, one to indicate parts in a service assembly and another to indicate the quantity of a given part in an illustration.

## Service Assembly Reference Numbers

Parts in service assemblies have reference numbers in the form a:b. The a represents the reference number of the entire service assembly and the b represents a sequential number unique to each part within the service assembly.

For example, a wheel assembly might be identified by reference number 6, the tire by 6:1, the valve by 6:2, and the wheel by 6:3. When you order the assembly identified by reference number 6, you receive all parts identified by reference numbers 6:1, 6:2, and 6:3. However, you may also order any part individually. Reference numbers of this type appear in illustration and in parts lists.

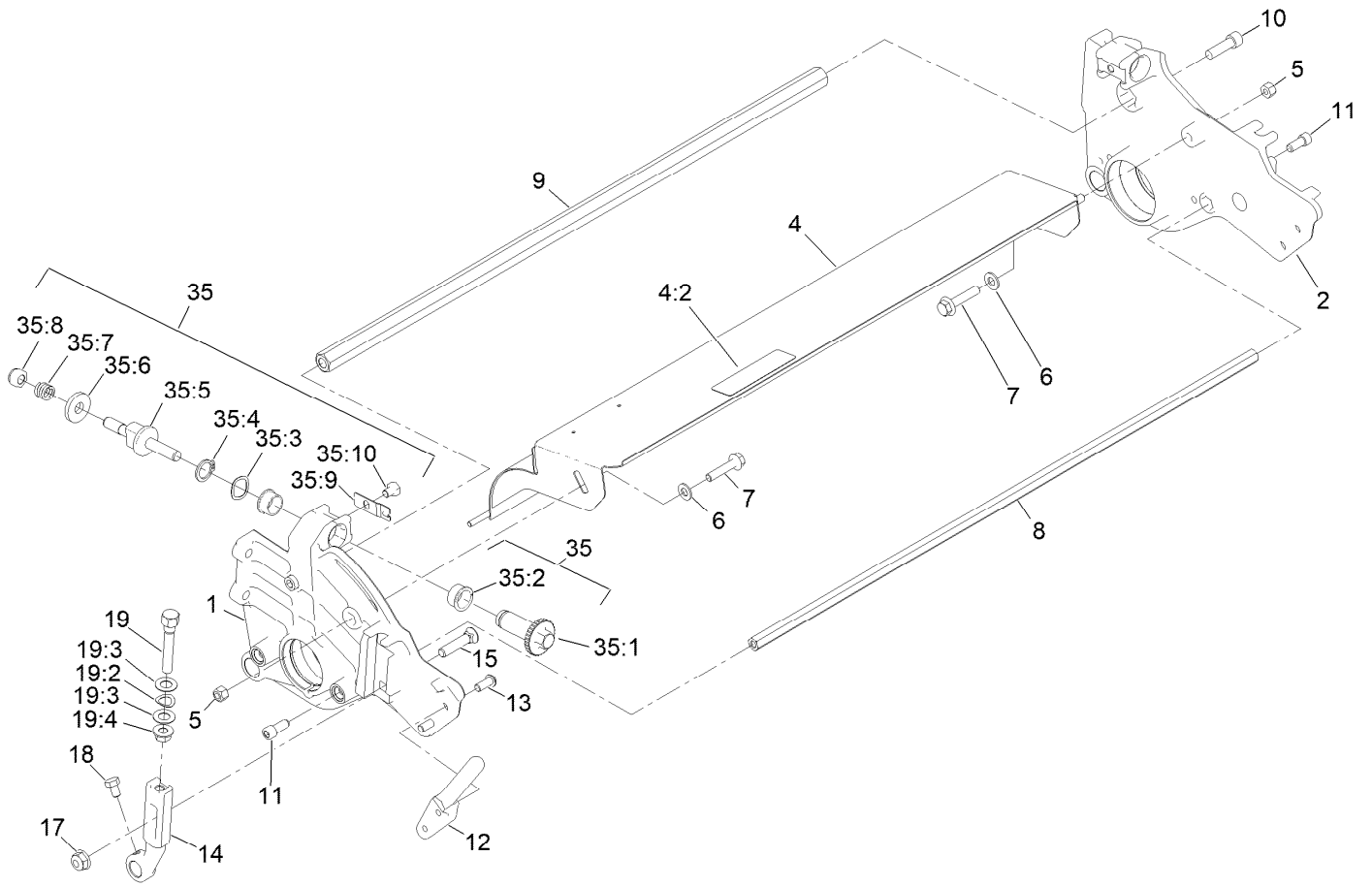
## Reference Numbers Indicating Quantity

In an illustration, if a reference number indicates more than one part, the reference number has the form nX y. The n represents the quantity of the part, the X is the multiplication symbol, and the y represents the reference number.

For example, in an illustration, the reference number 2X 37 means that two of the parts identified by reference number 37 are indicated.

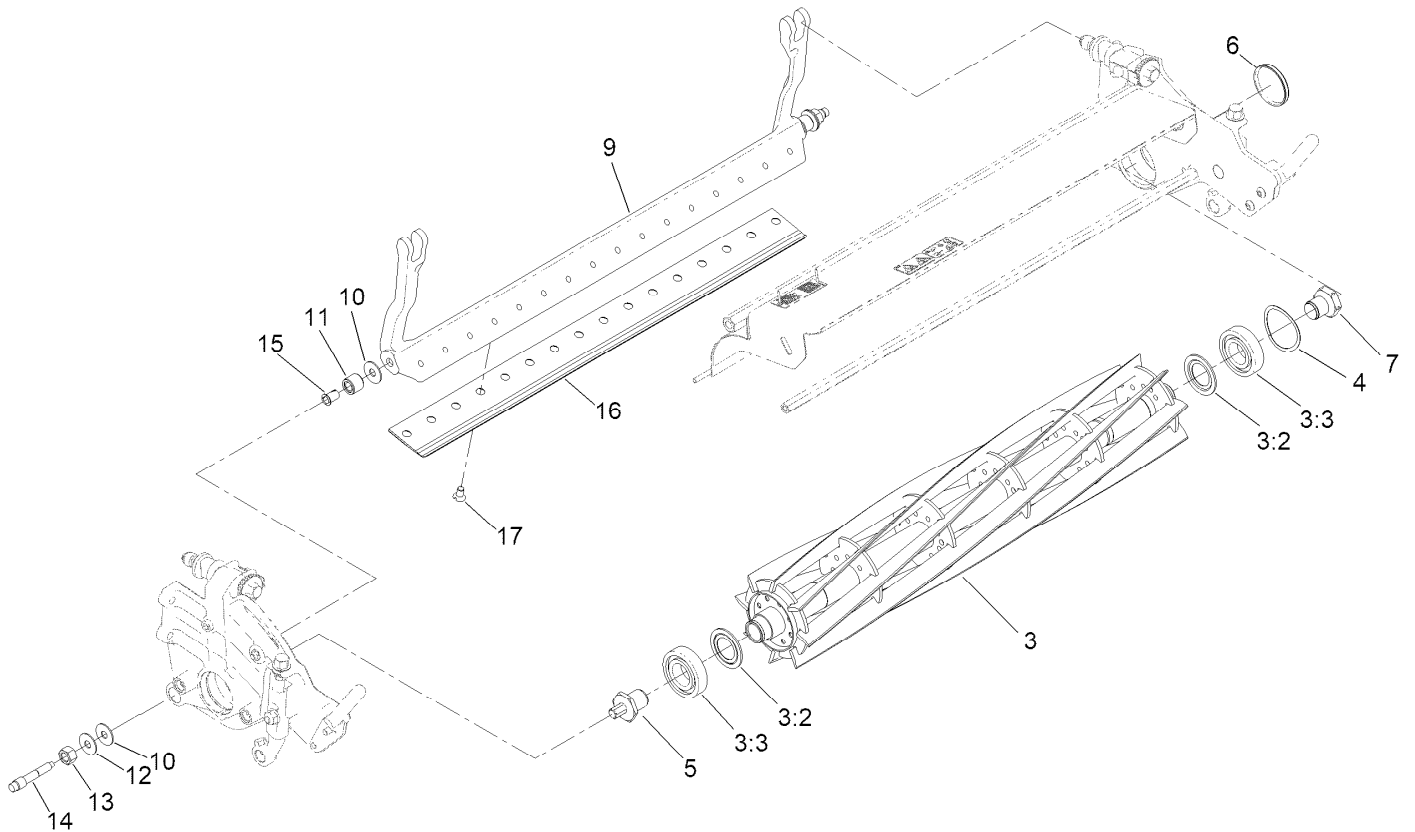
# Contents

Side Plate and Grass Shield Assembly.....	4
Reel and Bedknife Assembly .....	5
Reel Drive Box and Weight Assembly.....	6
Reel Drive Assembly No. 138-1611 .....	7
Optional Front Roller Assemblies .....	8
Full Front Roller Assembly No. 147-1203 .....	9
Wide Roller Assembly No. 147-1200 .....	10
Lace Narrow Wiehle Roller Assembly No. 147-1193 .....	11
Extended Lace Narrow Wiehle Roller Assembly No. 147-1196 .....	12
Attachments and Accessories .....	13



## Side Plate and Grass Shield Assembly

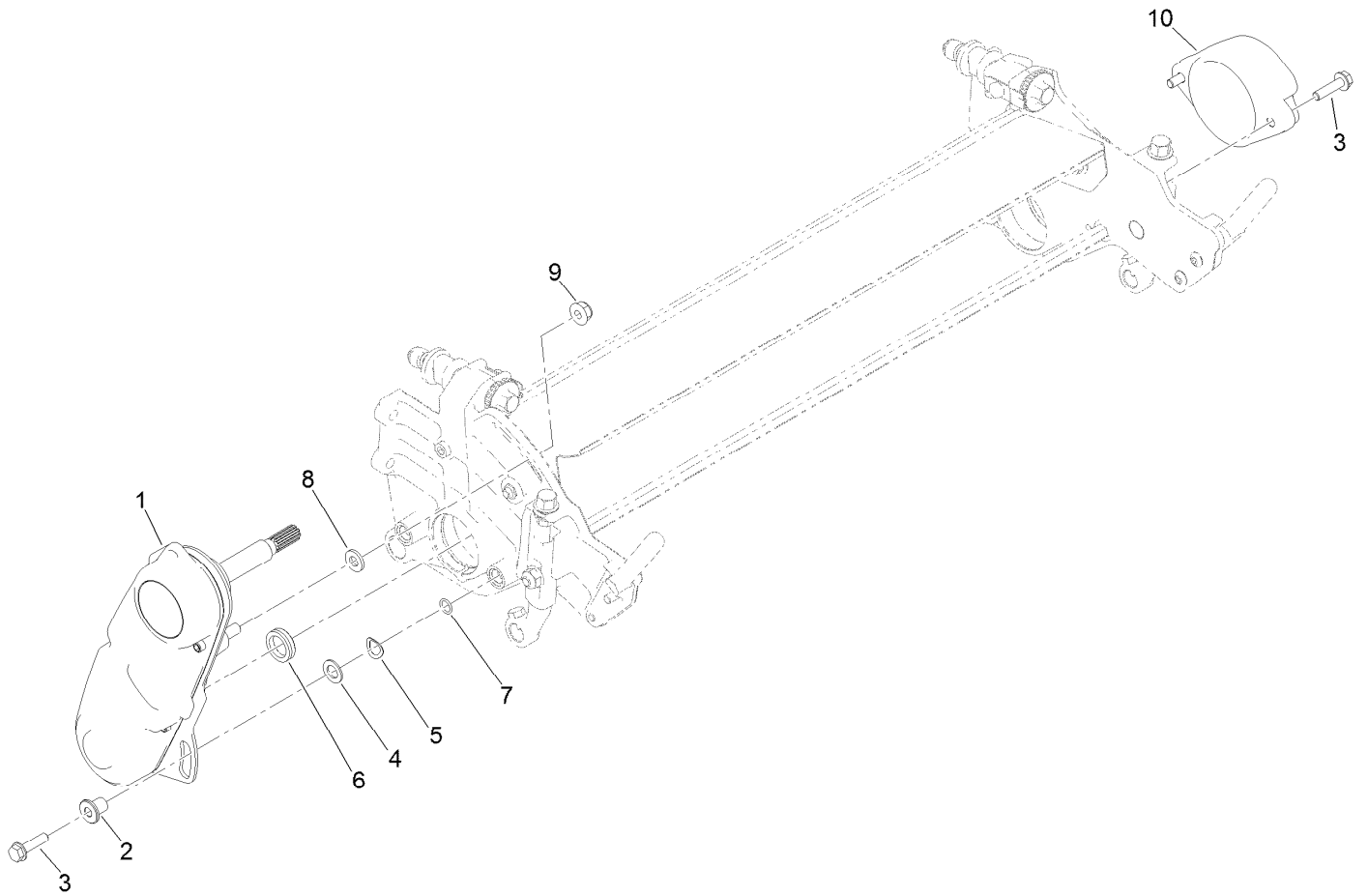
Ref.	Part Number	Qty.	Description	Ref.	Part Number	Qty.	Description
1	147-2281	1	Plate-Side, RH (Machined)	18	322-1	2	Screw-HH
2	147-2282	1	Plate-Side, LH (Machined)	19	138-1530	2	HOC Screw ASM
4	139-4378	1	Grass Shield ASM	19:2	138-1642	1	Washer-Spring
4:2	137-9706	1	Decal-Warning	19:3	138-1538	2	Washer-Special
5	3296-29	2	Nut-Lock, NI	19:4	127-6852	1	Nut-Flange, Lock
6	3256-23	2	Washer-Plain	35	121-2637	1	DPA Rebuild Kit
7	115-1794	2	Screw-HHF	35:1	106-5363	2	Shaft-Adjuster
8	138-1552	1	Rod-Frame	35:2	106-5344	4	Bushing-Flange, Keyed
9	138-1551	1	Rod-Frame	35:3	119-4164	2	Washer-Wave
10	3274-1	2	Screw-HSH	35:4	32120-93	2	Ring-Retaining
11	100-2401	2	Screw-HSH	35:5	137-6130	2	Screw-Adjuster, Bedbar
12	65-8570	2	Rod-Mounting	35:6	119-4155	2	Washer-Hardened
13	3274-55	4	Screw-HSBH	35:7	119-4156	2	Spring-Compression
14	137-0327	2	Arm-HOC	35:8	119-4039	2	Nut-Hex
15	99-3773	2	Bolt-Plow	35:9	99-2097	2	Detent
17	133-7570	2	Nut-Flange, NI	35:10	119-4067	2	Screw-HH



## Reel and Bedknife Assembly

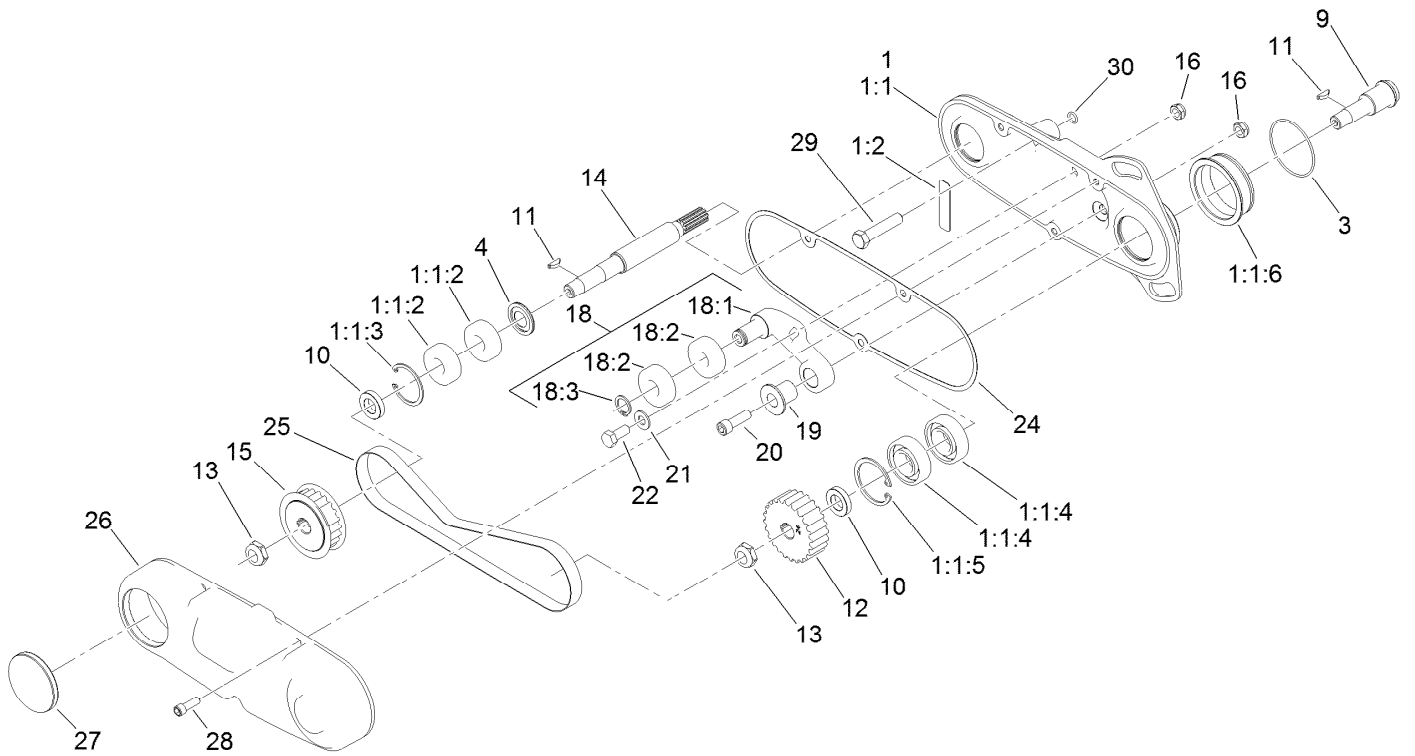
Ref.	Part Number	Qty.	Description	Ref.	Part Number	Qty.	Description
3	138-5753	1	8 Bld LD ES Reel+ ASM (26)	15	52-2890	2	Bushing-Nylon
3:2	115-3299	2	Seal-Flocked	16	104-2646	1	Bedknife-Highcut ●
3:3	140-5510	2	Bearing-Sealed, Stainless	16	107-8181	1	Bedknife-Fairway ●
4	115-5258	1	Spring-Wire, Flat	16	112-9275	1	Bedknife-Microcut ●
5	147-1310	1	Insert-Splined, Threaded (RH)	16	117-1548	1	Bedknife-Edgemax Tournament
6	137-0325	1	Plug-Expansion	16	139-4322	1	Bedknife-Edgemax, Microcut Short ●
7	137-0326	1	Screw-Lock, Bearing	16	139-4323	1	Bedknife-Edgemax, Tournament Short ●
9	138-1522-01	1	Bedbar	16	139-4324	1	Bedknife-Edgemax, 26" Microcut ●
10	52-2900	4	Washer-Plastic	16	93-9015	1	Bedknife-Lowcut ●
11	119-4153	2	Rubber Bushing ASM	16	94-5885	1	Bedknife-Tournament ●
12	119-4150	2	Washer-Flat	17	119-4151	16	Screw-Bedknife
13	140-9234	2	Nut-Hex Lock				
14	117-9493	2	Bolt-Bedbar				

● Optional Equipment



## Reel Drive Box and Weight Assembly

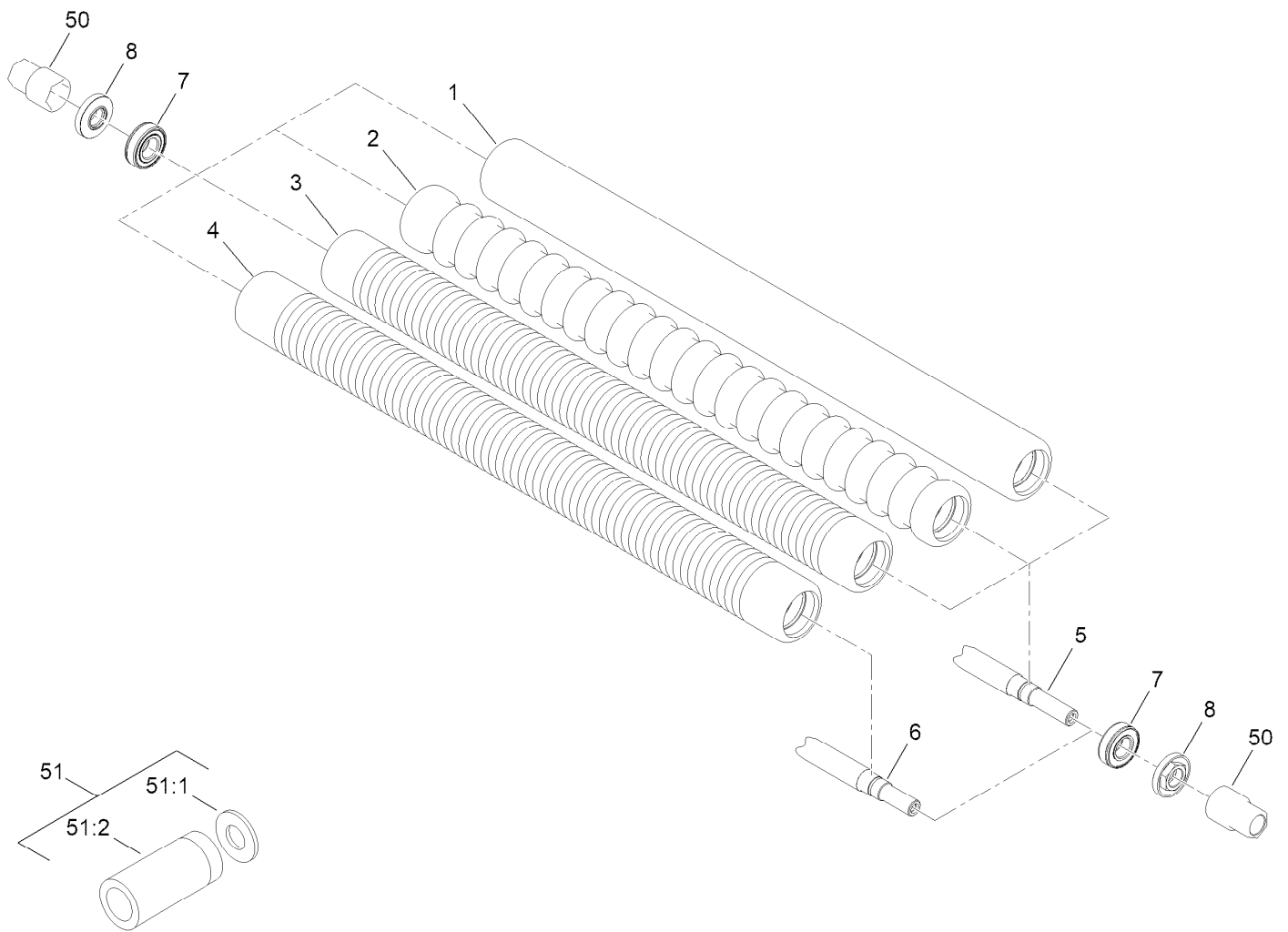
<i>Ref.</i>	<i>Part Number</i>	<i>Qty.</i>	<i>Description</i>
1	138-1611	1	Reel Drive ASM
2	71-4411	2	Spacer
3	112-6913	4	Screw-HF
4	100-7336	2	Washer
5	138-1642	2	Washer-Spring
6	138-1549	1	Seal
7	360-0494	2	O-Ring
8	115-7293	1	Washer-Hardened
9	133-7570	1	Nut-Flange, NI
10	138-1633-03	1	Weight



## Reel Drive Assembly No. 138-1611

Ref.	Part Number	Qty.	Description	Ref.	Part Number	Qty.	Description
1	139-4300	1	Reel Drive Housing ASM	16	3296-47	2	Nut-Lock,NI
1:1		1	Housing ASM ●	18		1	Idler ASM ●
1:1:2	115-6869	2	Bearing-Ball, Stainless	18:1	133-9152	1	Idler Arm
1:1:3	32151-34	1	Ring-Retaining	18:2	115-6869	2	Bearing-Ball, Stainless
1:1:4	117-6831	2	Bearing-Ball, Stainless	18:3	115-6755	1	Ring-Retaining
1:1:5	107-3512	1	Ring-Snap, Internal	19	131-1847	1	Bushing-Idler
1:1:6	132-4588	1	Sleeve-Pivot	20	3274-22	1	Screw-HSH
1:2	120-9570	1	Decal-Warning	21	3256-23	1	Washer-Plain
3	360-0398	1	O-Ring	22	322-3	1	Screw-HH
4	115-6923	1	Shield-Bearing, Flocked	24	132-4590	1	Gasket-Reel Drive
9	133-9154	1	Shaft-Reel, Driven	25	140-9348	1	Belt-Reel, 75T
10	133-9155	2	Spacer-Pulley, Reel	26	133-9161	1	Cover-Drive, Reel
11	937218	2	Key-Hipro	27	137-0325	1	Plug-Expansion
12	121-4724	1	Pulley-Reel, 24 Tooth	28	3274-8	3	Screw-HSH
13	3296-45	2	Nut-Hex	29	323-9	1	Screw-HH
14	138-1614	1	Shaft-Drive, Reel	30	237-21	1	O-Ring
15	121-4722	1	Pulley-Reel, 22 Tooth				

● Not serviced separately

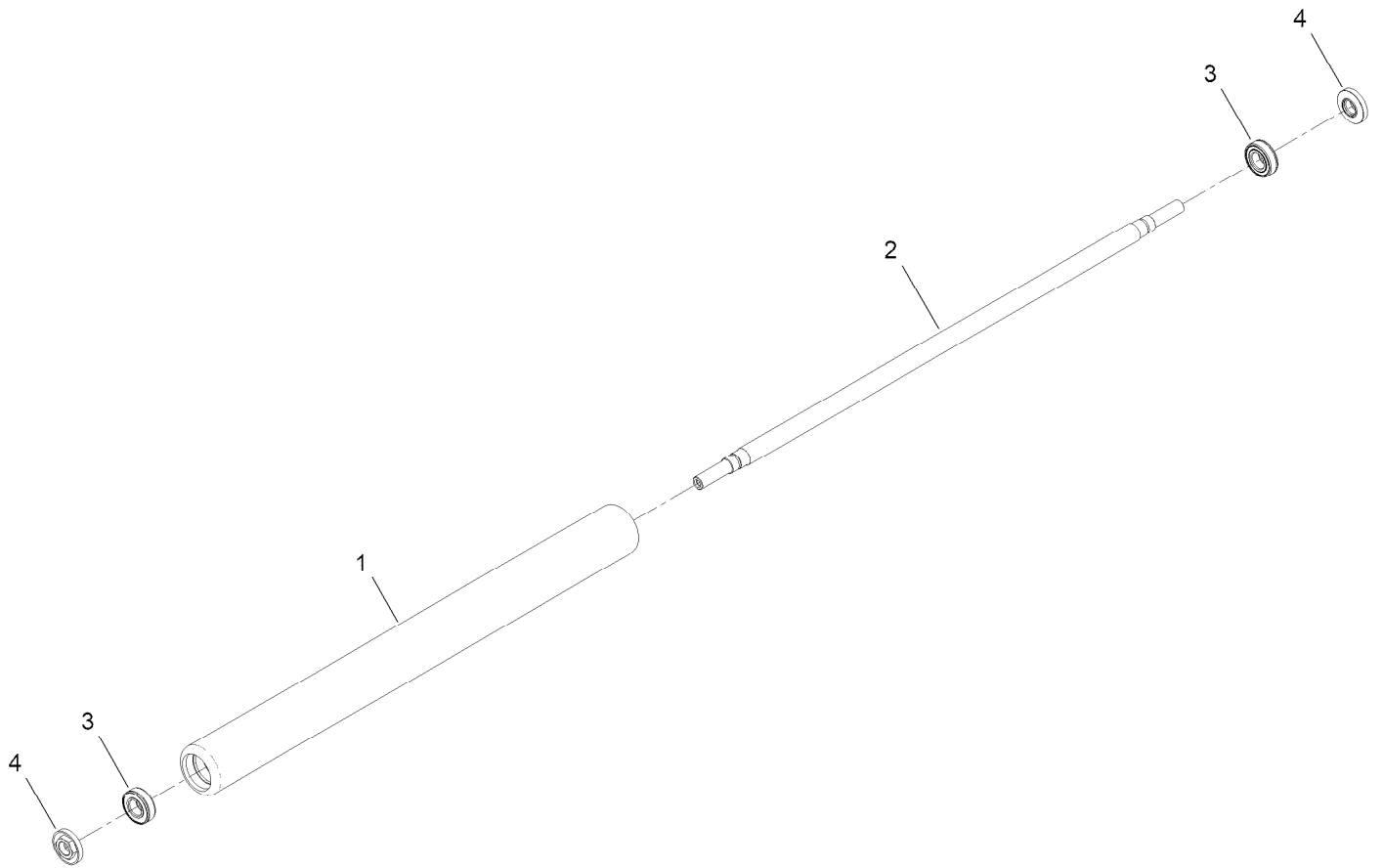


## Optional Front Roller Assemblies

Ref.	Part Number	Qty.	Description
1	147-1203	1	GR26 Full Front Roller ASM
2	147-1200	1	GR26 Wide Wiehle Roller ASM
3	147-1193	1	GR26 Lace Narrow Wiehle Roller ASM
4	147-1196	1	GR26 EXT Lace Nar Wiehle Roller ASM
5	147-1348	1	Shaft-Roller (26In, Int)
6	147-1349	1	Shaft-Roller (26In, EXT-Int)
7	147-1500	2	Bearing-Ball ■
8	147-0702	2	Nut-Bearing Lock
50	147-1132	2	Tool-Drive, Roller Nut ●
51	140-5553	2	GR Roller Rebuild Tool Kit ●
51:1	107-8133	1	Washer-Flat
51:2	115-0853	1	Tool-Bearing/Outer Seal

● Optional Service Tool

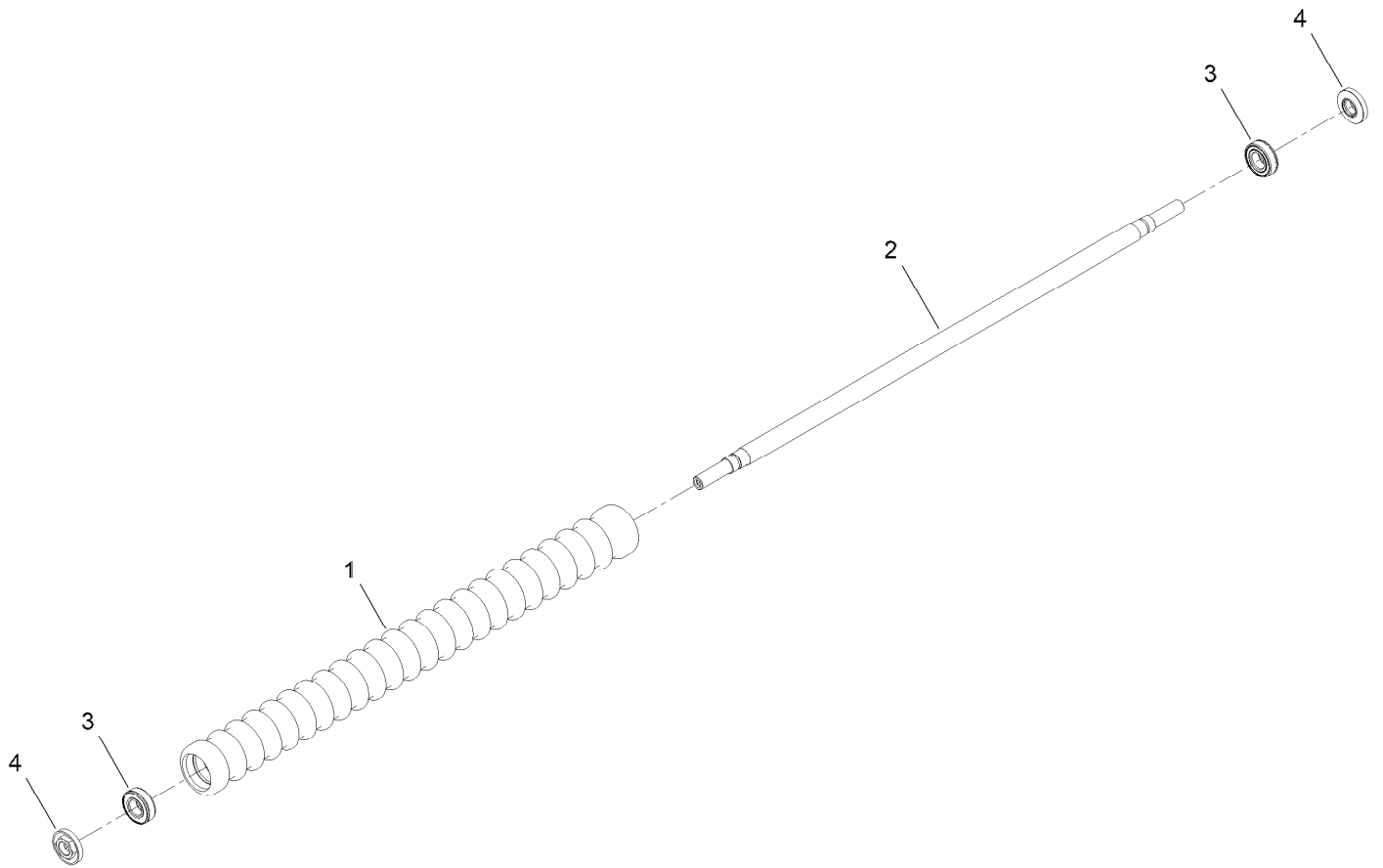
■ Red Seal on bearing must face outside of tube



## Full Front Roller Assembly No. 147-1203

<i>Ref.</i>	<i>Part Number</i>	<i>Qty.</i>	<i>Description</i>
1	147-1201	1	Tube-Roller, 2.5In Full(26In,AI,LD)
2	147-1348	1	Shaft-Roller (26In, Int)
3	147-1500	2	Bearing-Ball ●
4	147-0702	2	Nut-Bearing Lock

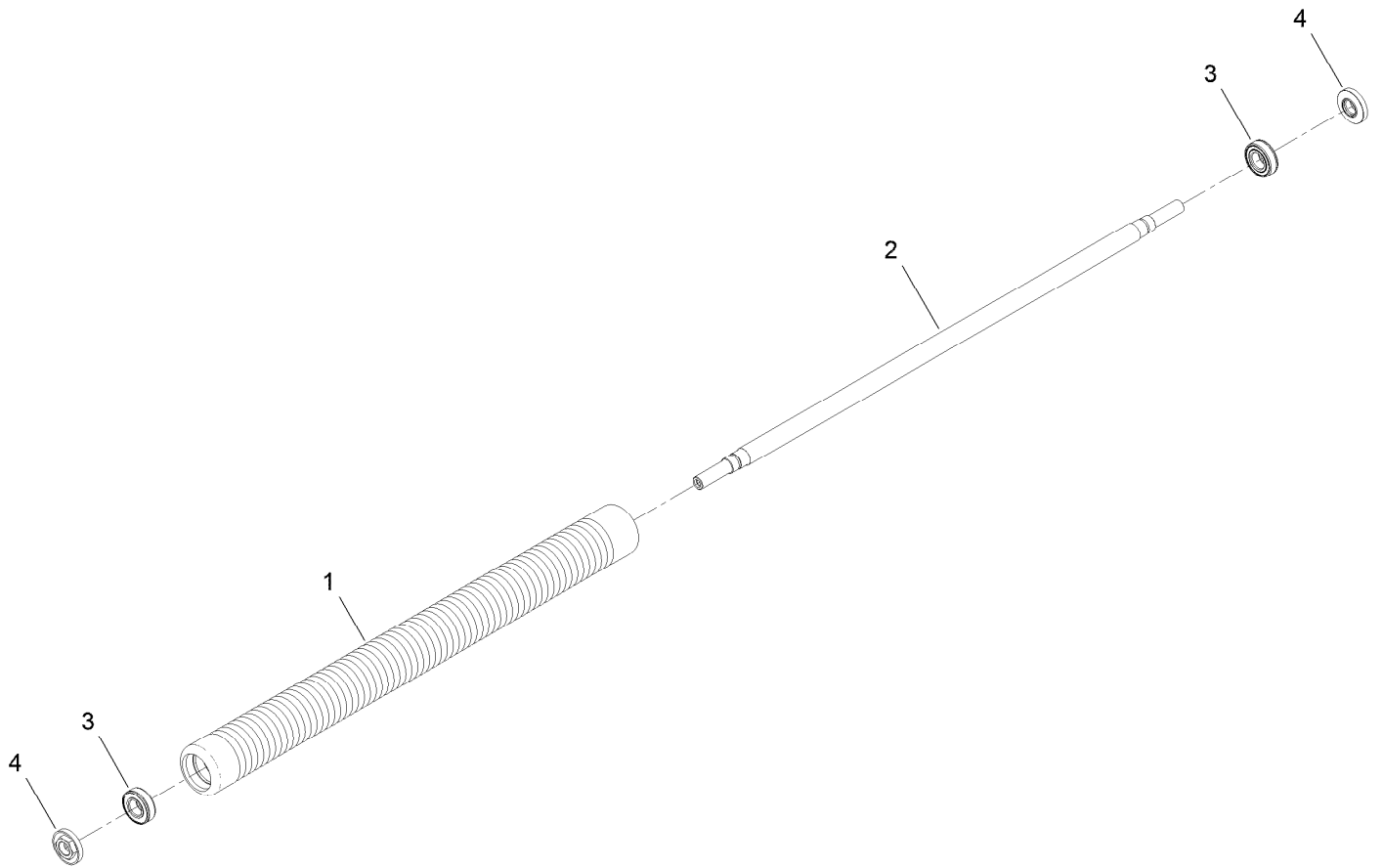
● Red Seal on bearing must face outside of tube



## Wide Roller Assembly No. 147-1200

<i>Ref.</i>	<i>Part Number</i>	<i>Qty.</i>	<i>Description</i>
1	147-1198	1	Tube-Roller, Wide Wiehle(26In,LD)
2	147-1348	1	Shaft-Roller (26In, Int)
3	147-1500	2	Bearing-Ball ●
4	147-0702	2	Nut-Bearing Lock

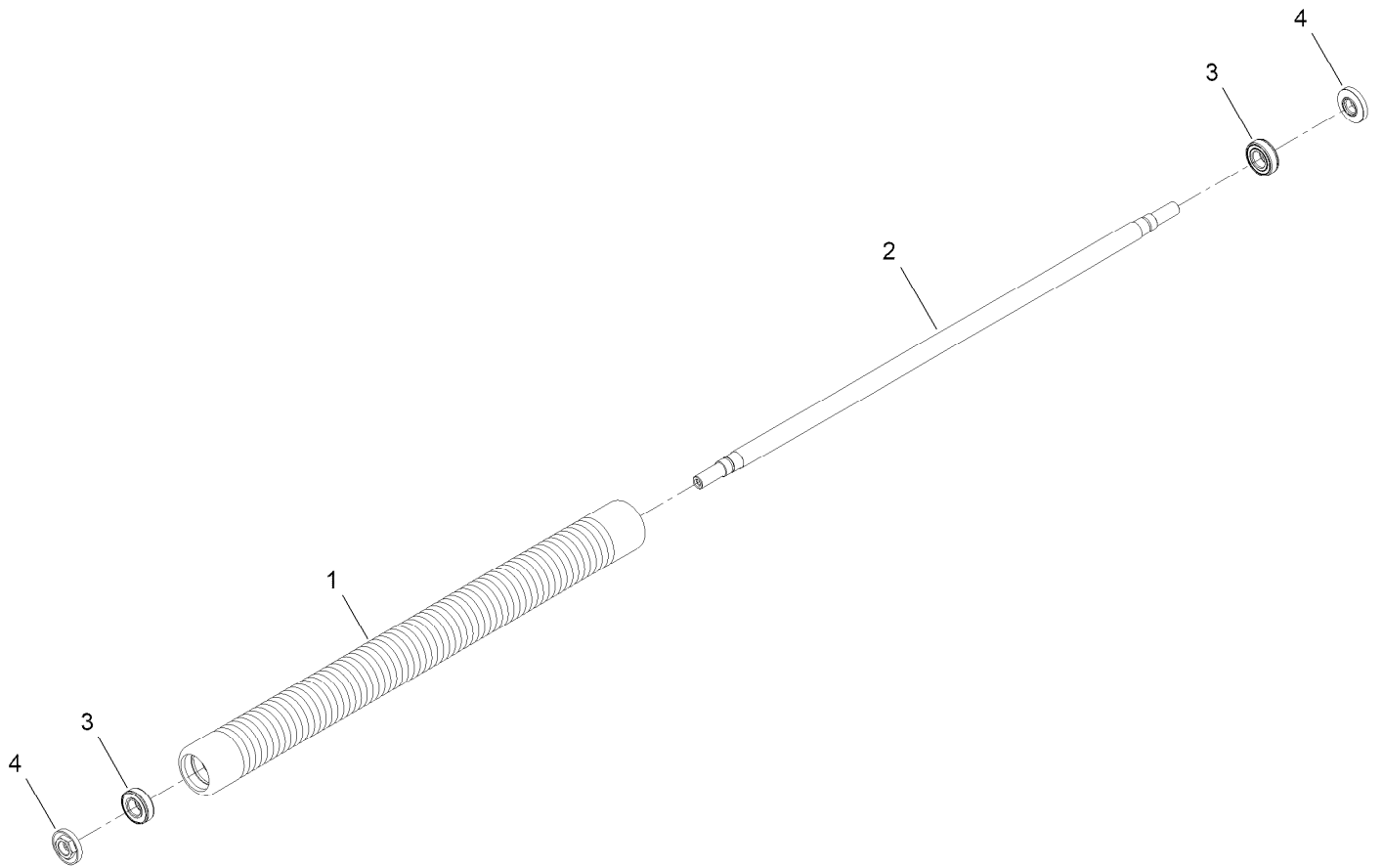
● Red Seal on bearing must face outside of tube



## Lace Narrow Wiehle Roller Assembly No. 147-1193

<i>Ref.</i>	<i>Part Number</i>	<i>Qty.</i>	<i>Description</i>
1	147-1191	1	Tube-Roller,Lace Narrow Wiehle(26In,LD)
2	147-1348	1	Shaft-Roller (26In, Int)
3	147-1500	2	Bearing-Ball ●
4	147-0702	2	Nut-Bearing Lock

● Red Seal on bearing must face outside of tube



## Extended Lace Narrow Wiehle Roller Assembly No. 147-1196

<i>Ref.</i>	<i>Part Number</i>	<i>Qty.</i>	<i>Description</i>
1	147-1194	1	Tube-Roller,EXT Lace Wiehle(26In,LD)
2	147-1349	1	Shaft-Roller (26In, EXT-Int)
3	147-1500	2	Bearing-Ball ●
4	147-0702	2	Nut-Bearing Lock

● Red Seal on bearing must face outside of tube

# Attachments and Accessories

## For 04842 — 26in 8-Blade Cutting Unit Greensmaster 1026 Mower

Product Name	Model/Part
GR26 Interlace Narrow Wiehle Roller ASM .....	04076
GR26 Extended Lace Narrow Wiehle Roller ASM .....	04077
GR26 Wide Wiehle Roller ASM .....	04078
GR26 Full Front Roller ASM (2.5in Aluminum).....	04079
26in Stiff Grooming Brush.....	04276
Turf Evaluator .....	04399
Universal Groomer Drive .....	04707
26in Twin Tip Groomer Reel .....	04803
Bedknife-Highcut .....	104-2646
Bedknife-Fairway.....	107-8181
Premium All Purpose Grease (Tube) .....	108-1190
Paint-Black Bottle .....	112-0176
Paint-Red Bottle .....	112-0178
Bedknife-Micro-Cut.....	112-9275
Roller Extension Kit .....	115-7361
Bedknife-EDGEMAX, Tournament Cut.....	117-1548
MVP Kit-Cutting Unit Re-Build .....	121-2637
Toro Reel Paper (10 Pack).....	125-5610
26in Stiff Grooming Brush Kit.....	127-1549
Angle Indicator.....	131-6828
Angle Indicator Mount.....	131-6829
Tool-Syringe.....	137-0872
Tool-Drive Shaft Removal .....	137-0920
Bedbar-26in .....	138-1522-01
Bedknife-EDGEMAX, 26in Microcut Short.....	139-4322
Bedknife-EDGEMAX, 26in Tournament Short.....	139-4323
Bedknife-EDGEMAX, 26in Microcut .....	139-4324
26in Interlaced Roller Scraper Asm .....	139-4394
26in Full Roller Scraper Asm .....	139-4398
26in Smooth Roller Scraper Brush Asm.....	139-5117
26in Interlaced Roller Scraper Brush Asm .....	139-5125
26in Wide Wiehle Roller Scraper Asm .....	139-7406
Wide Wiehle Roller Scraper Brush Asm.....	139-7410
Shim-Toro Reel (.002in).....	140-5531
Blade-GR Groomer, Twin Tip (0.032in).....	140-5580
Blade-GR Groomer, Helix (0.028in).....	140-5581
Blade-GR Groomer, Helix (0.015in).....	140-5582
Tool-Drive, Roller Nut.....	147-1132
GR26 Lace Narrow Wiehle Roller ASM .....	147-1193
GR26 Extended Lace Nar Wiehle Roller ASM .....	147-1196
GR26 Wide Wiehle Roller ASM .....	147-1200
GR26 Full Front Roller ASM .....	147-1203
Toro Red 12oz Aerosol Can .....	361-10
New Red Paint - Gallon .....	361-11
Semi-Gloss Black Spray Paint.....	361-9
Bedknife-1/8in.....	93-9015

# Attachments and Accessories (continued)

Bedknife-Tournament Cut..... 94-5885  
Height-of-Cut Bar..... 94-9010  
Extended HOC Arm..... 99-4286

**Notes:**



**Count on it.**