



Count on it.

Parts Catalog

**Proline AMI Commercial Walk
Behind Mower**

Model No. 44460BOT—Serial No. 400000000 and Up



Ordering Replacement Parts

To order replacement parts, please supply the part number, the quantity, and the description of each part desired.

Understanding Reference Numbers

Each identified part in an illustration has a reference number. The reference number for a part also appears in the parts list, along with other information about the part.

This catalog uses two special reference number formats, one to indicate parts in a service assembly and another to indicate the quantity of a given part in an illustration.

Service Assembly Reference Numbers

Parts in service assemblies have reference numbers in the form a:b. The a represents the reference number of the entire service assembly and the b represents a sequential number unique to each part within the service assembly.

For example, a wheel assembly might be identified by reference number 6, the tire by 6:1, the valve by 6:2, and the wheel by 6:3. When you order the assembly identified by reference number 6, you receive all parts identified by reference numbers 6:1, 6:2, and 6:3. However, you may also order any part individually. Reference numbers of this type appear in illustration and in parts lists.

Reference Numbers Indicating Quantity

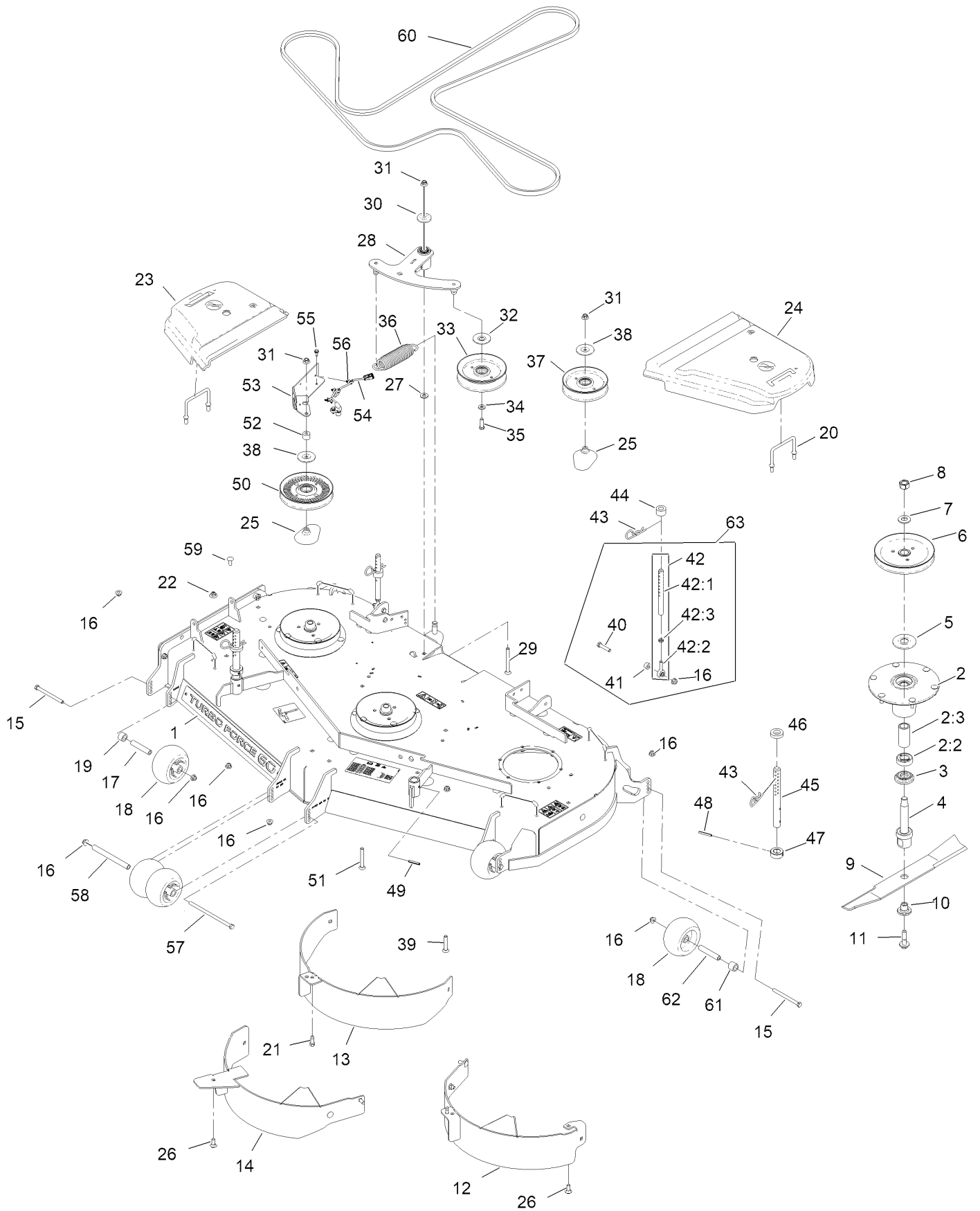
In an illustration, if a reference number indicates more than one part, the reference number has the form nX y. The n represents the quantity of the part, the X is the multiplication symbol, and the y represents the reference number.

For example, in an illustration, the reference number 2X 37 means that two of the parts identified by reference number 37 are indicated.

Contents

Deck Assembly	4
Deck Decal Assembly No. 146-5619	6
Deck Idler Assembly No. 126-2314	8
Engine Deck Assembly	10
Engine Assembly	12
Control Tower Assembly	14
Control Panel Assembly No. 146-6081	16
Motion Control Assembly	18
LH Control Handle Assembly No. 144-1421	20
RH Control Handle Assembly No. 144-1422	22
Ground Drive Assembly	24
Console Assembly	26
Fuel Tank Assembly	28
Front Frame Assembly	30
Wheel and Bearing Assembly	32
Generator Assembly	34
Generator/Controller Assembly No. 127-2580	36
Generator Assembly No. 127-2579	38
Generator Service Assembly No. 127-2578	40
Idler Arm Assembly	42
Sulky Frame Assembly	44
Drawbar Assembly	46
Wheel Assembly	48
ACS Assembly	50
Front Hood Assembly	52
Sensor Isolation Assembly	54
Obstacle Detection Assembly	56
Electrical Assembly	58
Harness Assembly No. 146-6418	60
Battery Assembly	62
Attachments and Accessories	64

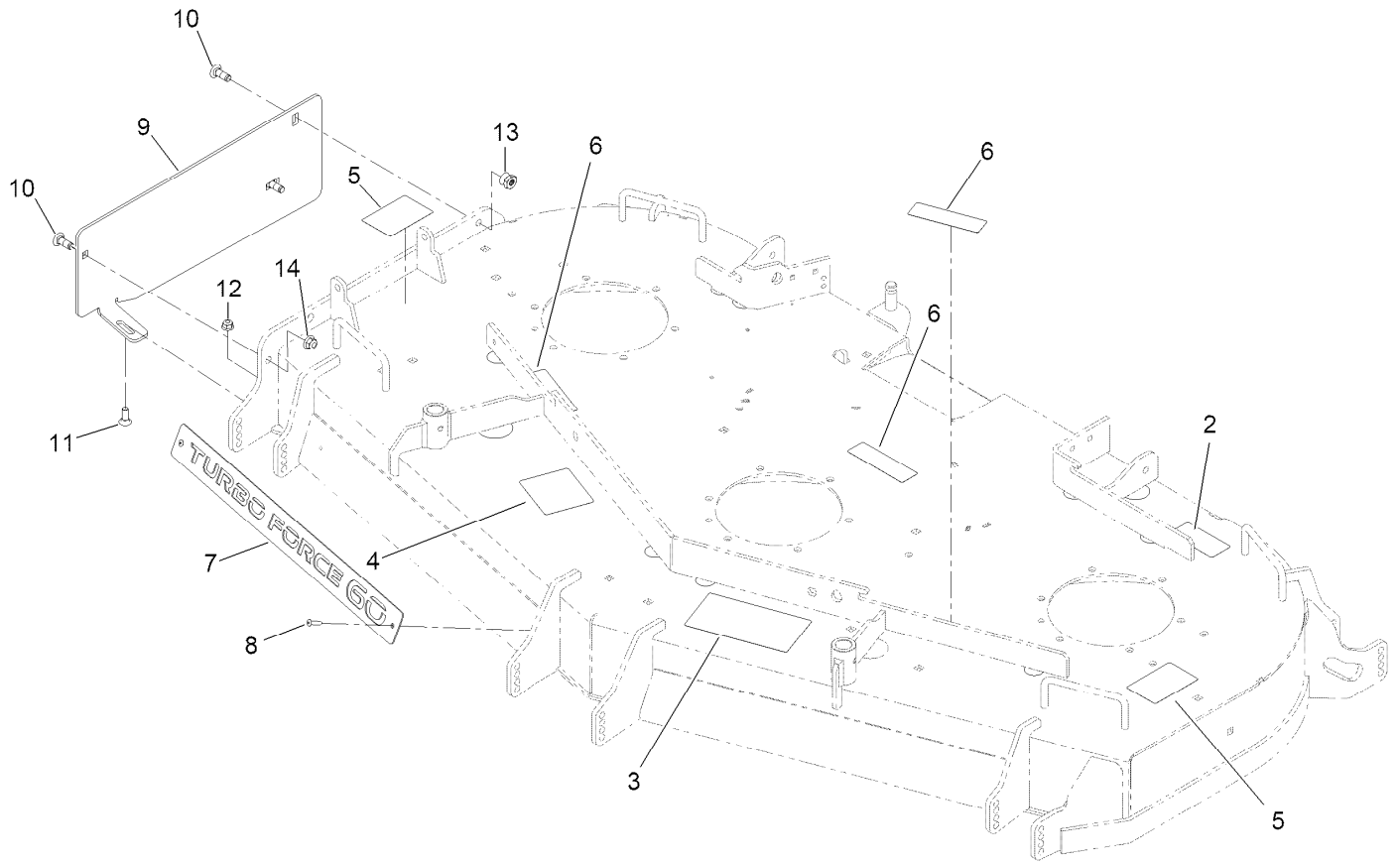
Deck Assembly



Deck Assembly (continued)

<i>Ref.</i>	<i>Part Number</i>	<i>Qty.</i>	<i>Description</i>	<i>Ref.</i>	<i>Part Number</i>	<i>Qty.</i>	<i>Description</i>
1	146-5619	1	Deck ASM W/ Decals	34	43-0940	1	Spacer
2	137-9780	3	Spindle ASM	35	323-7	1	Screw-HH
2:2	116-0720	2	Bearing-Ball	36	116-6317	1	Spring-Extension
2:3	138-6042	1	Spacer-Bearing	37	146-4624	1	Pulley-Idler, Flat
3	137-9784	3	Guard-Bottom	38	126-8043	2	Shield-Dust
4	138-6045	3	Shaft-Spindle	39	3231-40	1	Bolt-CARR
5	103-1330	3	Guard-Bearing, Top	40	323-9	2	Screw-HH
6	138-6059	3	Sheave-Drive, Blade	41	1-603050	2	Spacer
7	103-2802	3	Washer	42	146-5304	2	ASM, Support Link
8	116-7306	3	Nut-Hex	42:1	146-4894	1	Pin-Deck Support
9	140-4855	3	Blade-20.50 Recycler	42:2	1-613204	1	Balljoint
10	137-9787	3	Bushing-Hex	42:3	3220-3	1	Nut-HJ
11	109-9220	3	Screw-Sems	43	103-7353	4	Pin-Cut Height
12	138-7324-01	1	Baffle-Recycler, LH	44	146-5305	2	Spacer
13	140-3140-01	1	Baffle-Center	45	146-4895	2	Pin-Deck Support
14	139-6656-01	1	Baffle-RH	46	1-413425	2	Spacer-Deck Support
15	323-23	4	Screw-HH	47	135-4828	2	Collar, Deck Height Pin
16	119-4042	39	Nut-HF, NI	48	32121-32	2	Pin-Roll
17	133-2129	2	Tube-Shafting	49	1-806332	2	Roll Pin, 1/4 X 1-1/2
18	1-603299	6	Roller-Scalp, Anti	50	146-5506	1	ASM, Idler With Target
19	133-2128	2	Tube-Spacer	51	3231-42	1	Screw-CARR
20	109-6982	2	Wireform-Cover	52	146-5308	1	Spacer
21	92-1624	2	Screw-HWH Thd Form	53	146-2647-01	1	Bracket-Sensor, Blade
22	109-6658	1	Nut-Flange, NI	54	146-2958	1	Sensor-Speed
23	116-0094	1	Cover-Belt, RH	55	32144-10	3	Screw-HWH
24	109-6938	1	Cover-Belt, LH	56	32180-400	3	Clip-Tie, Fir Tree W/Tie, 5MM/.196" Hole
25	109-2872	2	Spacer-Pulley	57	108-5388	1	Screw-HH
26	3231-2	7	Bolt-CARR	58	98-5967	1	Spacer-Wheel
27	3256-4	1	Washer-Flat	59	3231-27	2	Screw-CARR
28	126-2314	1	ASM, Deck Idler	60	126-2539	1	Belt, Deck Drive
29	3231-24	1	Screw-CARR	61	98-7913	2	Tube-Spacer
30	103-2916	1	Guard-Top	62	98-7912	2	Tube-Spanner
31	32128-19	3	Nut-HF Lock, Large Flg	63	146-5530	1	Kit, Support Link W/Pin
32	126-9195	1	Shield-Guard, Dust				
33	146-4609	1	Idler-Pulley, Flat				

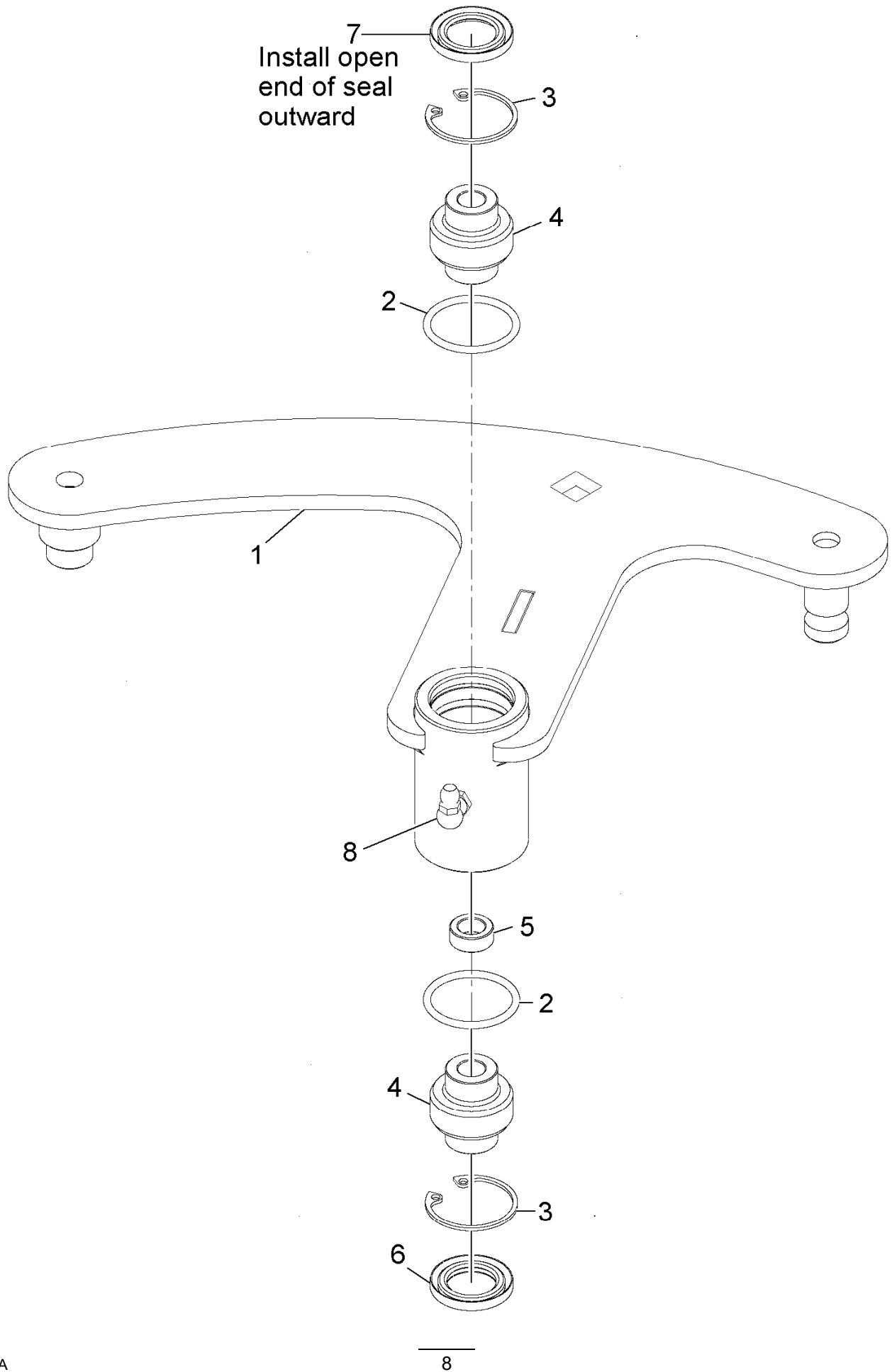
Deck Decal Assembly No. 146-5619



Deck Decal Assembly No. 146-5619 (continued)

<i>Ref.</i>	<i>Part Number</i>	<i>Qty.</i>	<i>Description</i>	<i>Ref.</i>	<i>Part Number</i>	<i>Qty.</i>	<i>Description</i>
2	116-8283	1	Decal-Torque, Bolt	9	146-6067	1	Kit-Discharge Cover
3	146-6114	1	Decal-Height Of Cut	10	146-2272	3	Screw-CARR
4	116-8727	1	Decal-Belt Routing	11	3230-16	1	Screw-CARR
5	146-2269	2	Decal-Warn Thrown Obj	12	119-4041	1	Nut-HF
6	112-9028	3	Decal-Cover, Missing	13	146-2271	2	Nut-Breakaway
7	147-4631-03	1	Plate-Turbo Force	14	119-4042	1	Nut-HF, NI
8	130-8451	2	Rivet-Trifold				

Deck Idler Assembly No. 126-2314

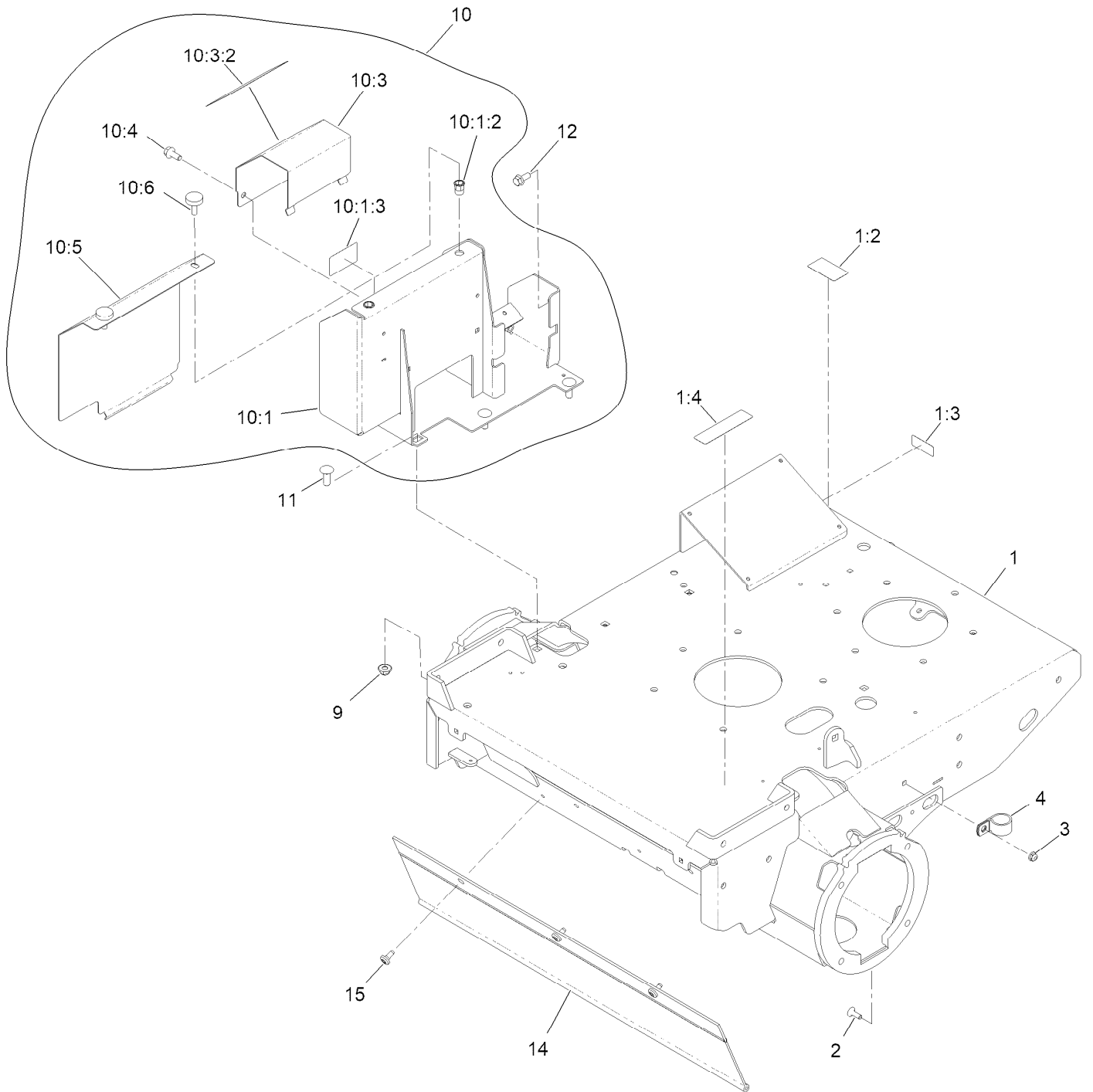


Deck Idler Assembly No. 126-2314 (continued)

<i>Ref.</i>	<i>Part Number</i>	<i>Qty.</i>	<i>Description</i>	<i>Ref.</i>	<i>Part Number</i>	<i>Qty.</i>	<i>Description</i>
1		1	Weld, Idler Arm ●	5	103-5677	1	Spacer
2	106-7159	2	O-Ring	6	103-3505	1	Seal-Lip, Double
3	32120-10	2	Ring-Snap	7	103-3506	1	Seal-Lip, Single
4	103-3504	2	Bearing-Spherical	8	302-40	1	Fitting-Grease, 90 DEG

● Not serviced separately

Engine Deck Assembly

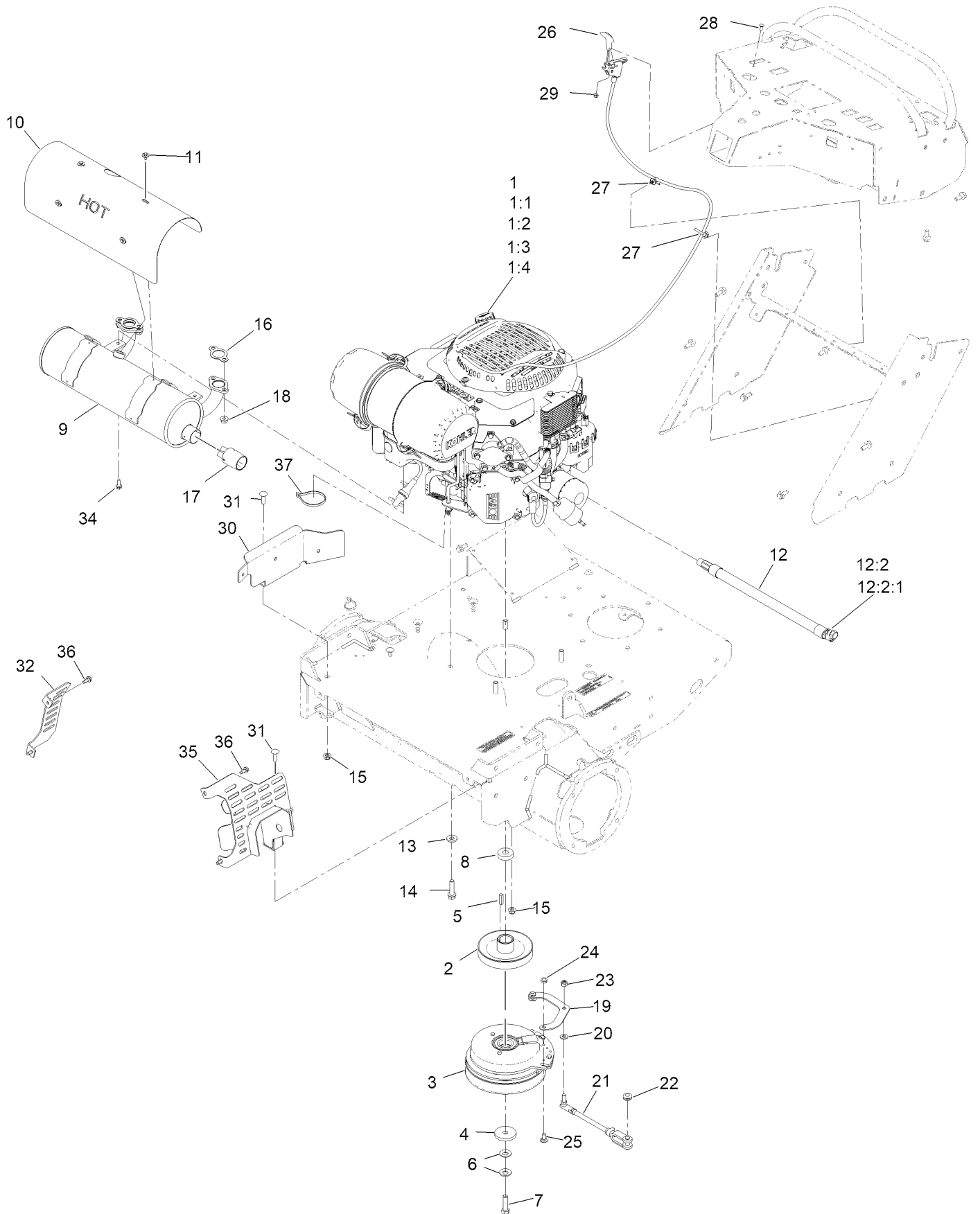


Engine Deck Assembly (continued)

<i>Ref.</i>	<i>Part Number</i>	<i>Qty.</i>	<i>Description</i>	<i>Ref.</i>	<i>Part Number</i>	<i>Qty.</i>	<i>Description</i>
1	146-6733	1	Eng Deck ASM	10:1:3	146-4948	1	Decal-Fuse,Main
1:2	146-3693	1	Decal-Shock Hazard	10:3	146-4809	1	ASM- Relay Cover
1:3	114-1606	1	Decal-Danger	10:3:2	146-4154	1	Decal-Service Aid
1:4	133-8062	1	Decal-Spark Arrestor	10:4	100-1668	2	Screw-HHF
2	1-807512	1	Bolt-CARR	10:5	146-4781-03	1	Cover- Housing [black]
3	104-7201	1	Nut-HF, NI	10:6	146-3450	2	Screw-Thumb
4	1-643312	1	Clip-Loom	11	3231-22	3	Screw-CARR
9	119-4042	3	Nut-HF, NI	12	100-1668	1	Screw-HHF
10		1	Bracket ASM-Controller ●	14	146-6927	1	Shield-Trailing
10:1	146-5501	1	ASM-Elec Housing	15	120-7950	3	Screw-Torx
10:1:2	138-2899	4	Nut-Clinch				

● Not serviced separately

Engine Assembly



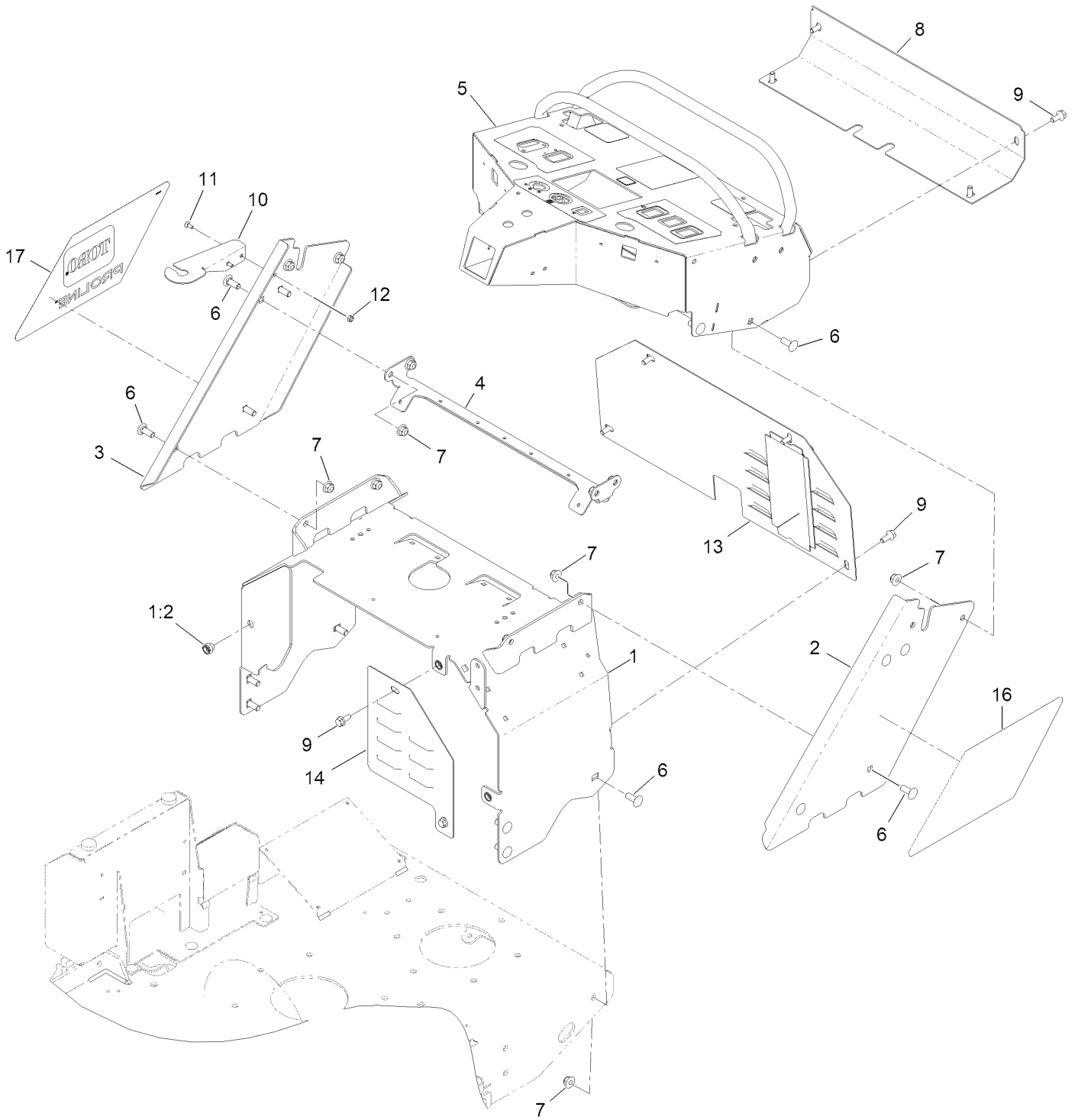
Engine Assembly (continued)

<i>Ref.</i>	<i>Part Number</i>	<i>Qty.</i>	<i>Description</i>	<i>Ref.</i>	<i>Part Number</i>	<i>Qty.</i>	<i>Description</i>
1	126-8306	1	Engine-Kohler Ecv749-3064	15	119-4041	3	Nut-HF
1:1		1	Kohler 52 050 02-S Engine	16	110-6697	2	Gasket-Exhaust
			Oil Filter ■▲	17	142-7683	1	Screen-Spark Arrestor
1:2		1	Kohler 25 083 01-S Engine	18	68-9400	4	Nut-Flange
			Air Filter ■▲	19	126-2602	1	Strap, Clutch
1:3		1	Kohler 25 083 04-S Safety	20	3256-23	1	Washer-Plain
			Filter ■▲	21	126-0620	1	ASM, Clutch Anchor
1:4		1	Kohler 25 050 42-S Fuel	22	237-136	1	Grommet
			Filter ■	23	3296-4	1	Nut-Lock
2	142-9579	1	Pulley-Engine	24	3296-47	2	Nut-Lock,NI
3	146-1268	1	Clutch-200Cms	25	3230-18	2	Screw-CARR
4	109-6919	1	Washer-Plain	26	109-3958	1	Control-Throttle
5	1-807259	1	Key	27	32180-400	2	Clip-Tie, Fir Tree W/Tie, 5MM/.196" Hole
6	1-603610	2	Washer-Spring	28	1-807513	2	Bolt-CARR
7	87-2080	1	Bolt-Hex, TAP	29	3296-2	2	Nut-Lock, NI
8	62-6660	1	Spacer	30	146-7165-03	1	Shield-Exhaust [black]
9	116-8653	1	Muffler-Ttx, EFI	31	3230-22	3	Screw-CARR
10	116-8654	1	Shield-Muffler,Ttx EFI	32	146-5919-03	1	Guard, Heat [black]
11	116-1103	4	Screw-HH, Thread Forming	34	116-5722	1	Screw-HWHTF
12	116-5316	1	Oil Drain Hose ASM	35	146-5960-03	1	Weld, Muffler Guard [black]
12:2	353-508	1	Plug-HH ●	36	32144-10	4	Screw-HWH
12:2:1	237-42	1	O-Ring	37	3290-379	1	Tie-Cable
13	98-5975	4	Washer-Belleville				
14	125-1073	4	Screw-HWH				

● Torque to 24-26 ft-lb
▲ Obtain parts from www.kohlerplus.com

■ Not serviced separately

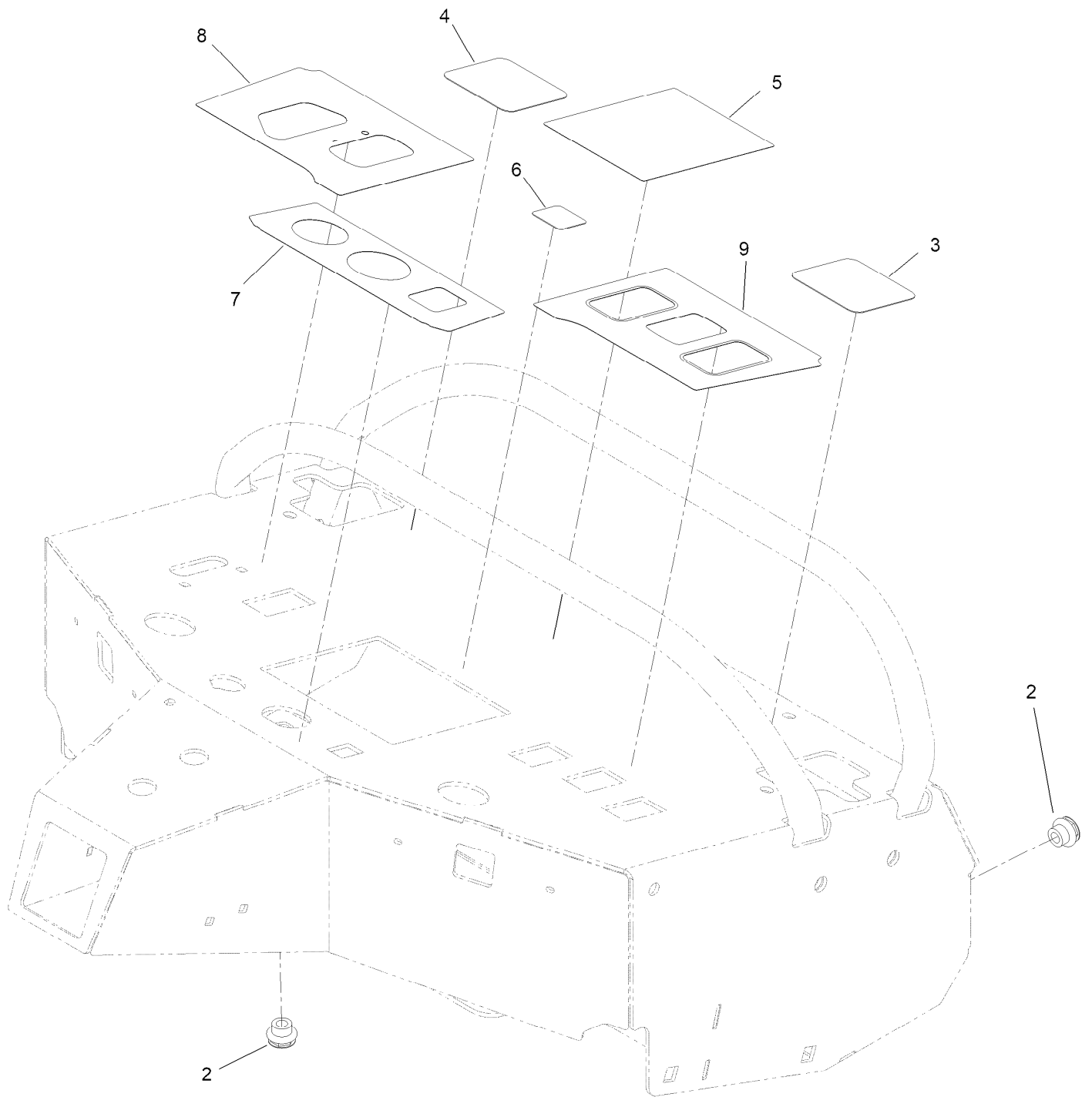
Control Tower Assembly



Control Tower Assembly (continued)

<i>Ref.</i>	<i>Part Number</i>	<i>Qty.</i>	<i>Description</i>	<i>Ref.</i>	<i>Part Number</i>	<i>Qty.</i>	<i>Description</i>
1	146-6080	1	ASM, Fuel Tank Support	9	100-1668	10	Screw-HHF
1:2	138-2899	7	Nut-Clinch	10	146-2633-01	1	Bracket-Antenna, Lte
2	146-6026-01	1	Plate, Tower	11	1-807513	2	Bolt-CARR
3	146-6027-01	1	Plate, Tower [red]	12	3296-2	2	Nut-Lock, NI
4	146-6109-01	1	Plate, Crossmember	13	146-2635-03	1	Rear Access Panel [black]
5	146-6081	1	ASM, Control Panel	14	146-3437-03	1	Panel-Front, LH
6	3231-22	18	Screw-CARR	16	146-6094	1	Decal- Proline, Left
7	119-4042	18	Nut-HF, NI	17	146-6095	1	Decal- Proline, Right
8	146-6048-01	1	Panel, Rear Console				

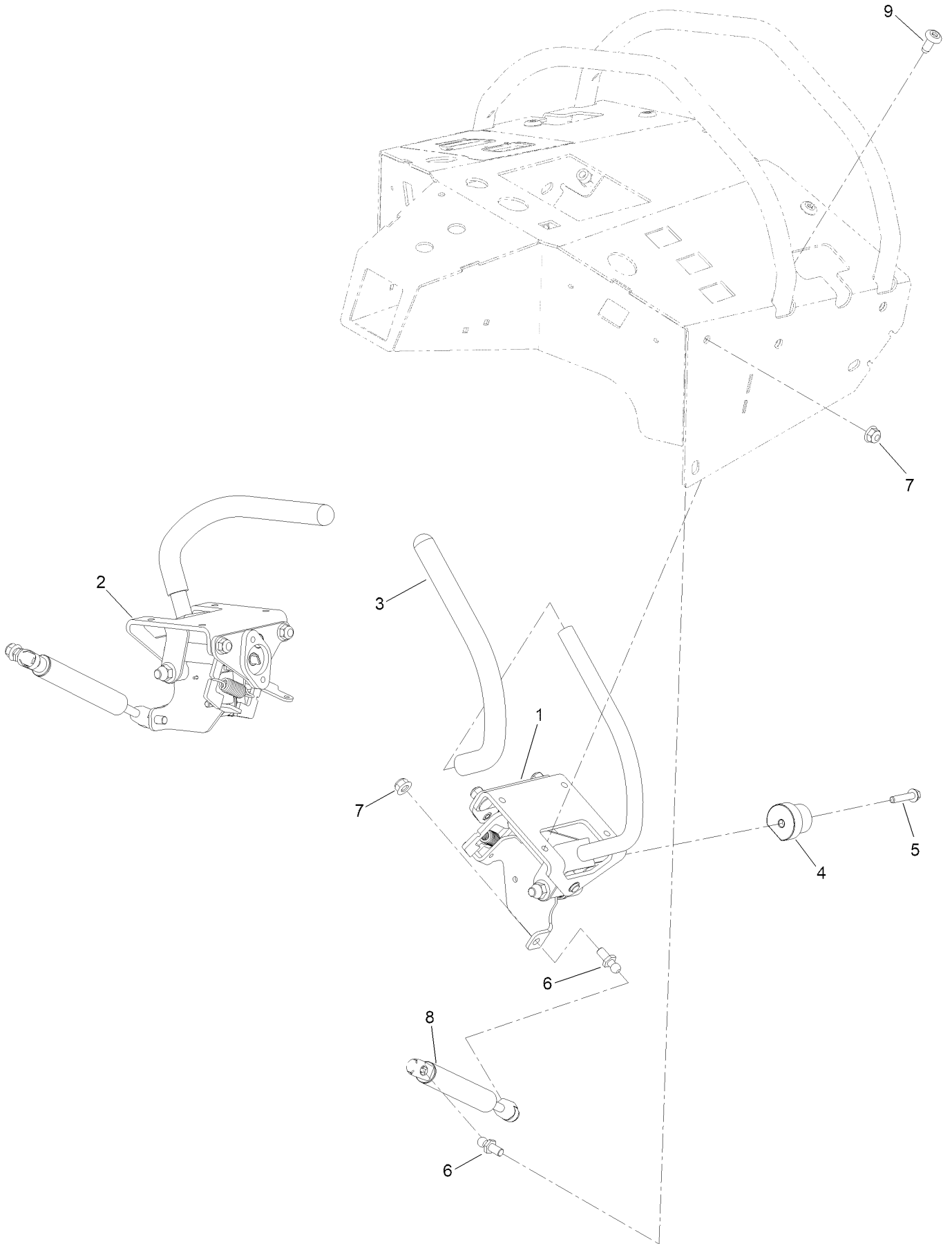
Control Panel Assembly No. 146-6081



Control Panel Assembly No. 146-6081 (continued)

<i>Ref.</i>	<i>Part Number</i>	<i>Qty.</i>	<i>Description</i>	<i>Ref.</i>	<i>Part Number</i>	<i>Qty.</i>	<i>Description</i>
2	138-2899	4	Nut-Clinch	6	147-0290	1	Decal-Light, Warning
3	144-7003	1	Decal-OPC Control, Left	7	146-3669	1	Decal-Control Panel,Center
4	144-7004	1	Decal-OPC Control, Right	8	146-3670	1	Decal-Control Panel,Right
5	146-3680	1	Decal-Warning	9	146-3668	1	Decal-Control Panel,Left

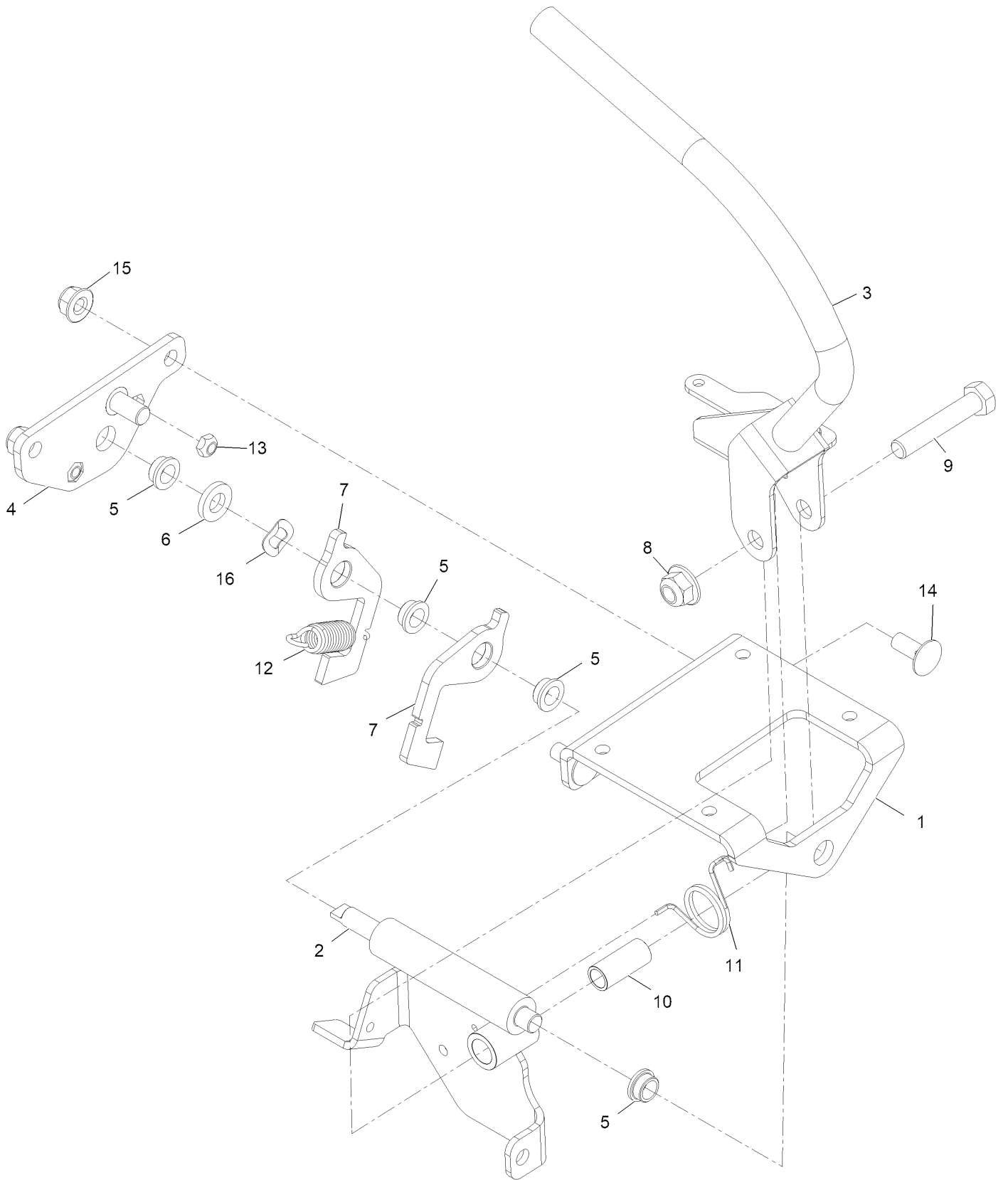
Motion Control Assembly



Motion Control Assembly (continued)

<i>Ref.</i>	<i>Part Number</i>	<i>Qty.</i>	<i>Description</i>	<i>Ref.</i>	<i>Part Number</i>	<i>Qty.</i>	<i>Description</i>
1	144-1421	1	Control Handle ASM, LH	6	103-5752	4	Stud-Ball 10Mm
2	144-1422	1	Control Handle ASM, RH	7	119-4041	4	Nut-HF
3	119-0222	2	Grip	8	146-5537	2	Damper, Motion Control
4	126-1499	2	Cam	9	138-9753	4	Screw-Button Head 5/16-18
5	32144-110	2	Screw-HWH				X 3/4 Tf

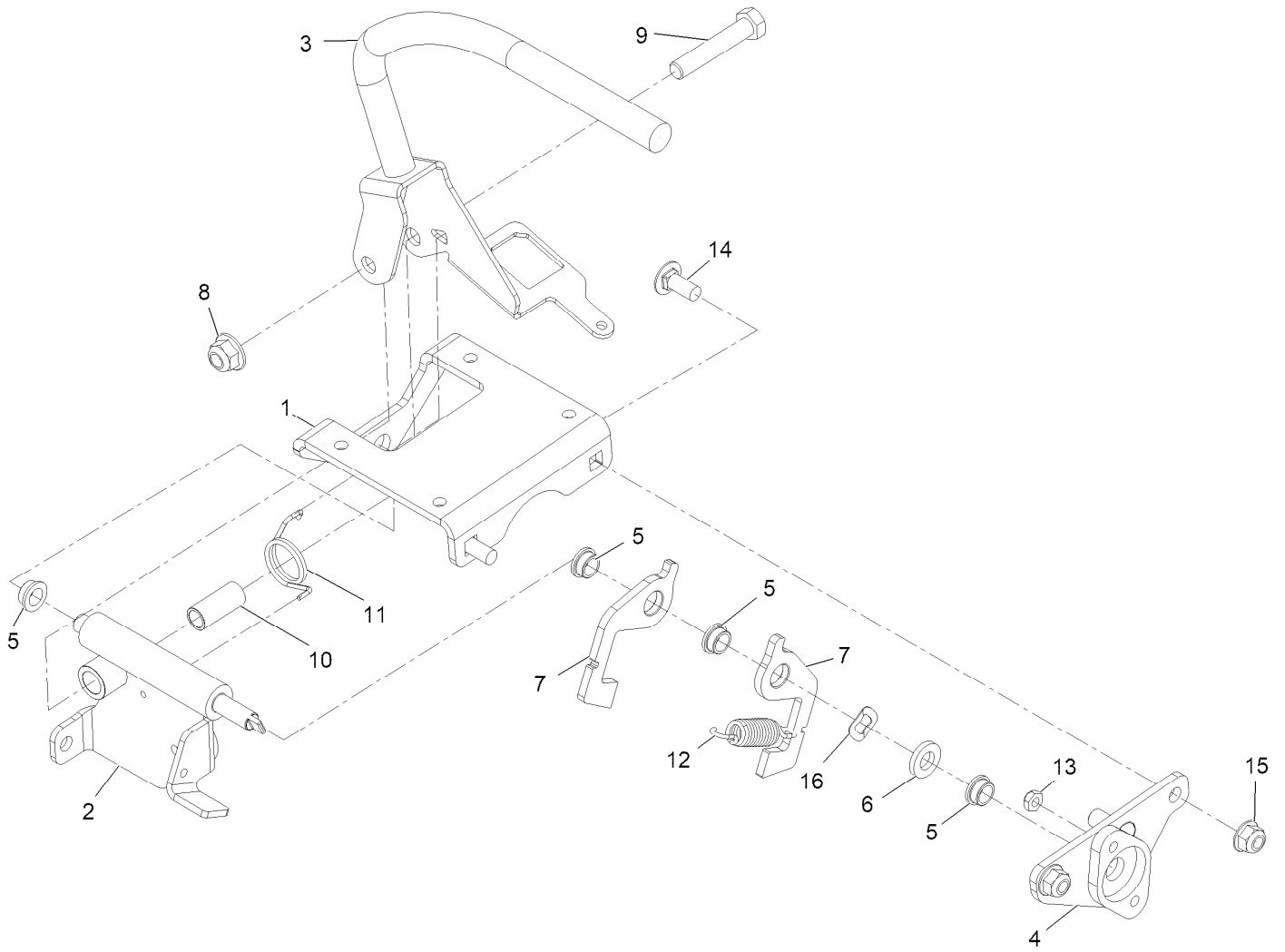
LH Control Handle Assembly No. 144-1421



LH Control Handle Assembly No. 144-1421 (continued)

<i>Ref.</i>	<i>Part Number</i>	<i>Qty.</i>	<i>Description</i>	<i>Ref.</i>	<i>Part Number</i>	<i>Qty.</i>	<i>Description</i>
1	144-1427	1	Bracket-Control Mount	9	323-10	1	Screw-HH 3/8-16 X 2
2	145-3585	1	Motion Control ASM LH	10	131-3562	1	Bearing-Sleeve
3	145-3579	1	LH Lever ASM	11	139-1508	1	Spring-Torsion
4	144-1491	1	Plate ASM-Sensor LH	12	139-2859	1	Spring-Extension
5	139-1525	4	Bushing-Flanged Nylon	13	3296-12	2	Nut-Nyloc #10-24 Thin
6	139-6293	1	Washer	14	137-3061	2	Bolt-CARR
7	139-1513	2	Plate-Spring	15	119-4041	2	Nut-HF
8	119-4042	1	Nut-HF, NI	16	108472	1	Washer-Wave

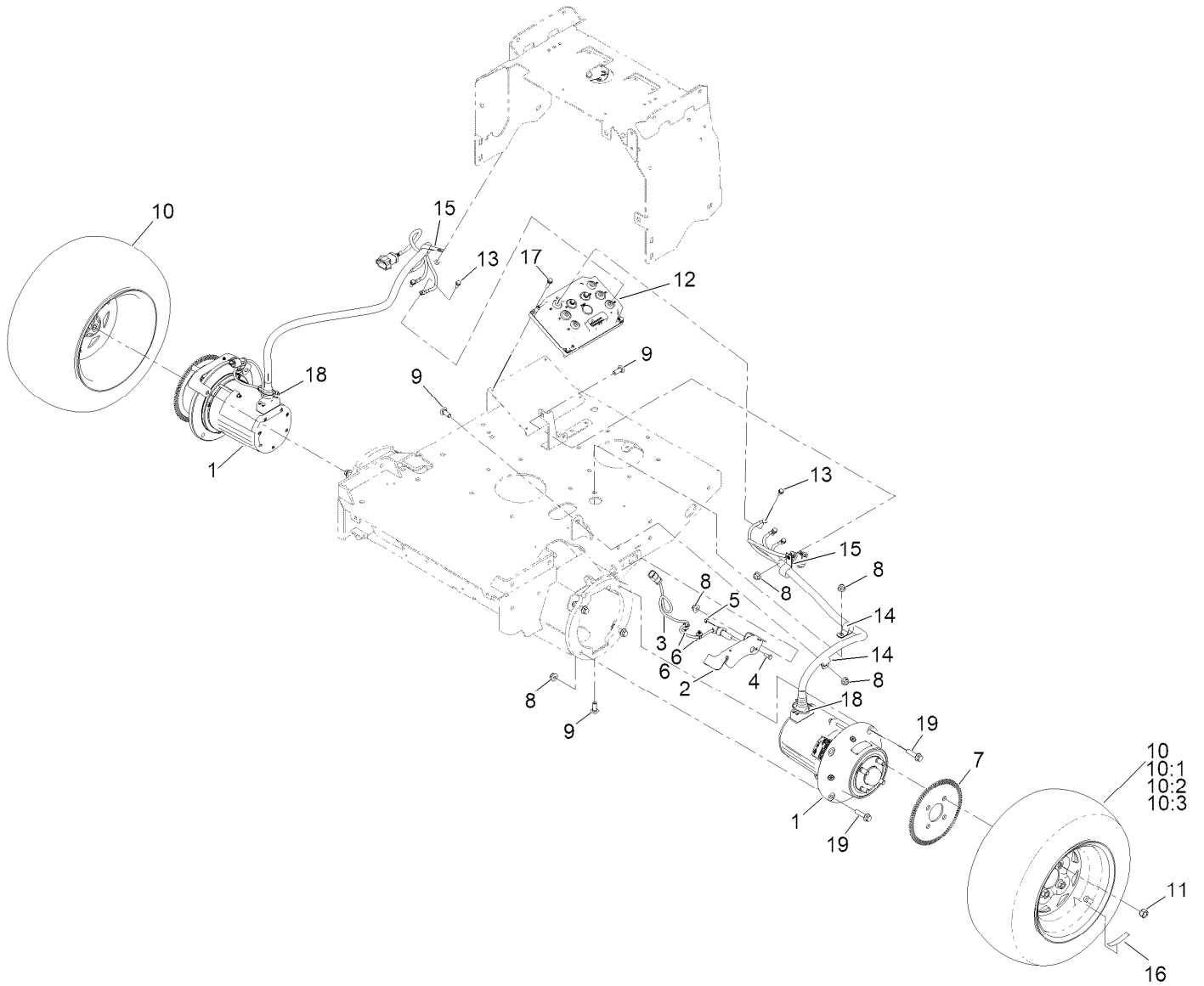
RH Control Handle Assembly No. 144-1422



RH Control Handle Assembly No. 144-1422 (continued)

<i>Ref.</i>	<i>Part Number</i>	<i>Qty.</i>	<i>Description</i>	<i>Ref.</i>	<i>Part Number</i>	<i>Qty.</i>	<i>Description</i>
1	144-1427	1	Bracket-Control Mount	9	323-10	1	Screw-HH 3/8-16 X 2
2	145-3586	1	Motion Control ASM RH	10	131-3562	1	Bearing-Sleeve
3	145-3580	1	RH Lever ASM	11	139-1538	1	Spring-Torsion
4	144-1510	1	Plate ASM-Sensor RH	12	139-2859	1	Spring-Extension
5	139-1525	4	Bushing-Flanged Nylon	13	3296-12	2	Nut-Nyloc #10-24 Thin
6	139-6293	1	Washer	14	137-3061	2	Bolt-CARR
7	139-1513	2	Plate-Spring	15	119-4041	2	Nut-HF
8	119-4042	1	Nut-HF, NI	16	108472	1	Washer-Wave

Ground Drive Assembly

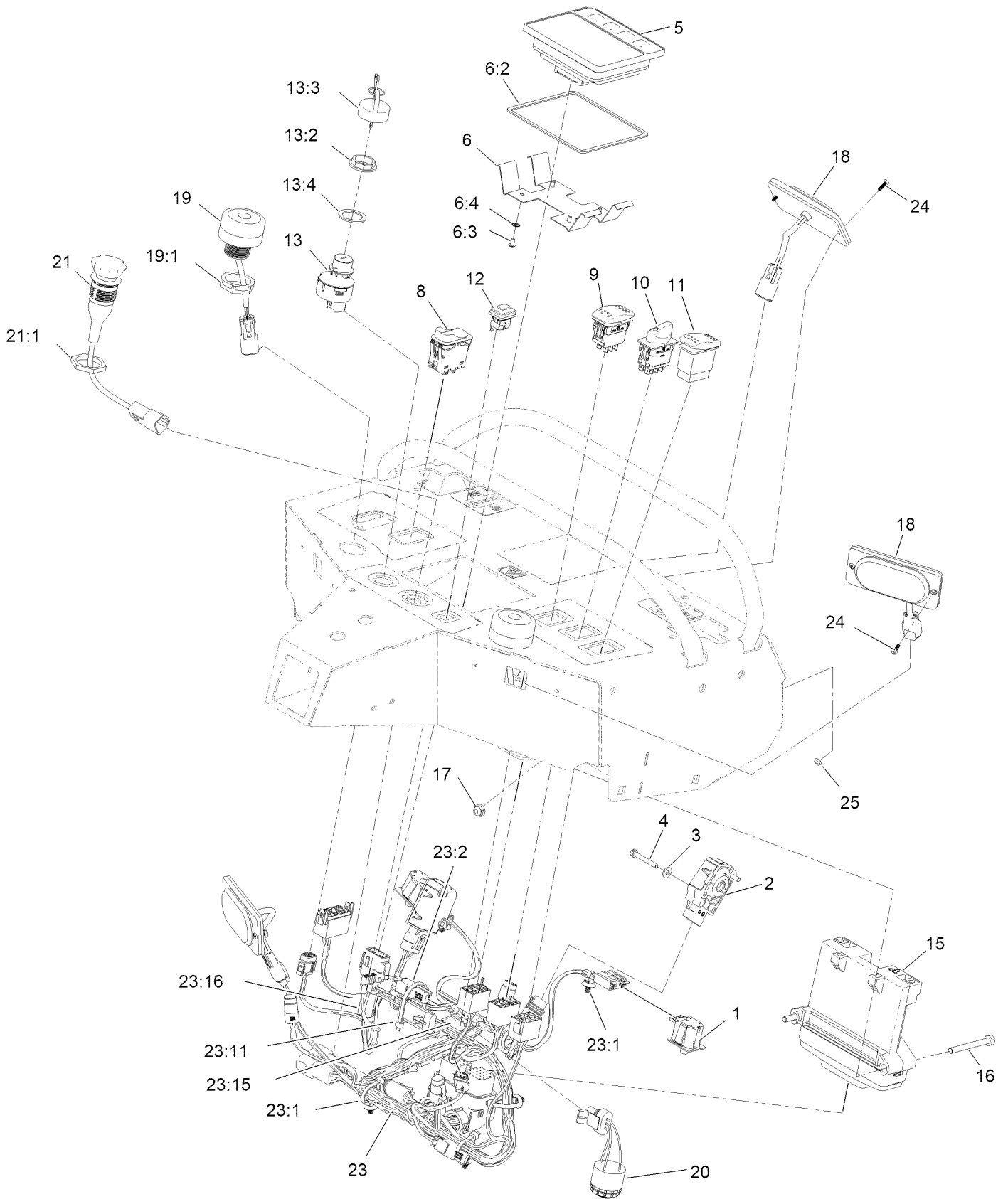


Ground Drive Assembly (continued)

<i>Ref.</i>	<i>Part Number</i>	<i>Qty.</i>	<i>Description</i>	<i>Ref.</i>	<i>Part Number</i>	<i>Qty.</i>	<i>Description</i>
1	147-1688	2	Motor/Gearbox ASM-48V,	8	119-4042	11	Nut-HF, NI
1:1:1	161-9863	1	Kit-Motor ●	9	3231-22	3	Screw-CARR
1:1:2	161-9864	1	Kit-Seal ●	10	146-2628	2	Tire ASM
1:1:3	161-9865	1	Kit-Brake ●	10:1	95-2625	1	Tire (18 X 8.5-10 Nhs) 4-Ply
1:1:4	161-9866	1	Kit-Cable ●	10:2	146-2627	1	Rim-10In
1:1:5	161-9867	1	Kit-Gearbox ●	10:3	232-27	1	Stem-Valve
1:1:6	161-6844	1	Stud-Wheel ●	11	242-35	8	Nut-Wheel
2	146-7664	2	Bracket-Sensor,Speed	12	138-8984	1	Inv/Ctrlr-48V, Dual 94Arms
3	146-3055	2	Sensor-Speed W/ Deutsch Connector	13	145-5782	8	Screw-Sems
4	33113-016	2	Screw-HH	14	2412-4	2	Clamp-R
5	115-7373	2	Nut-Lock	15	120-5018	2	Clip-Open J, Coated
6	32180-400	4	Clip-Tie, Fir Tree W/Tie, 5MM/.196" Hole	16	146-7853	2	Decal-Wheel Hub
7	146-2828	2	Plate-Target,Sensor	17	32144-86	4	Screw-HWHTF
				18	3290-378	2	Tie-Cable
				19	114-4681	8	Screw-HHF

● Not illustrated

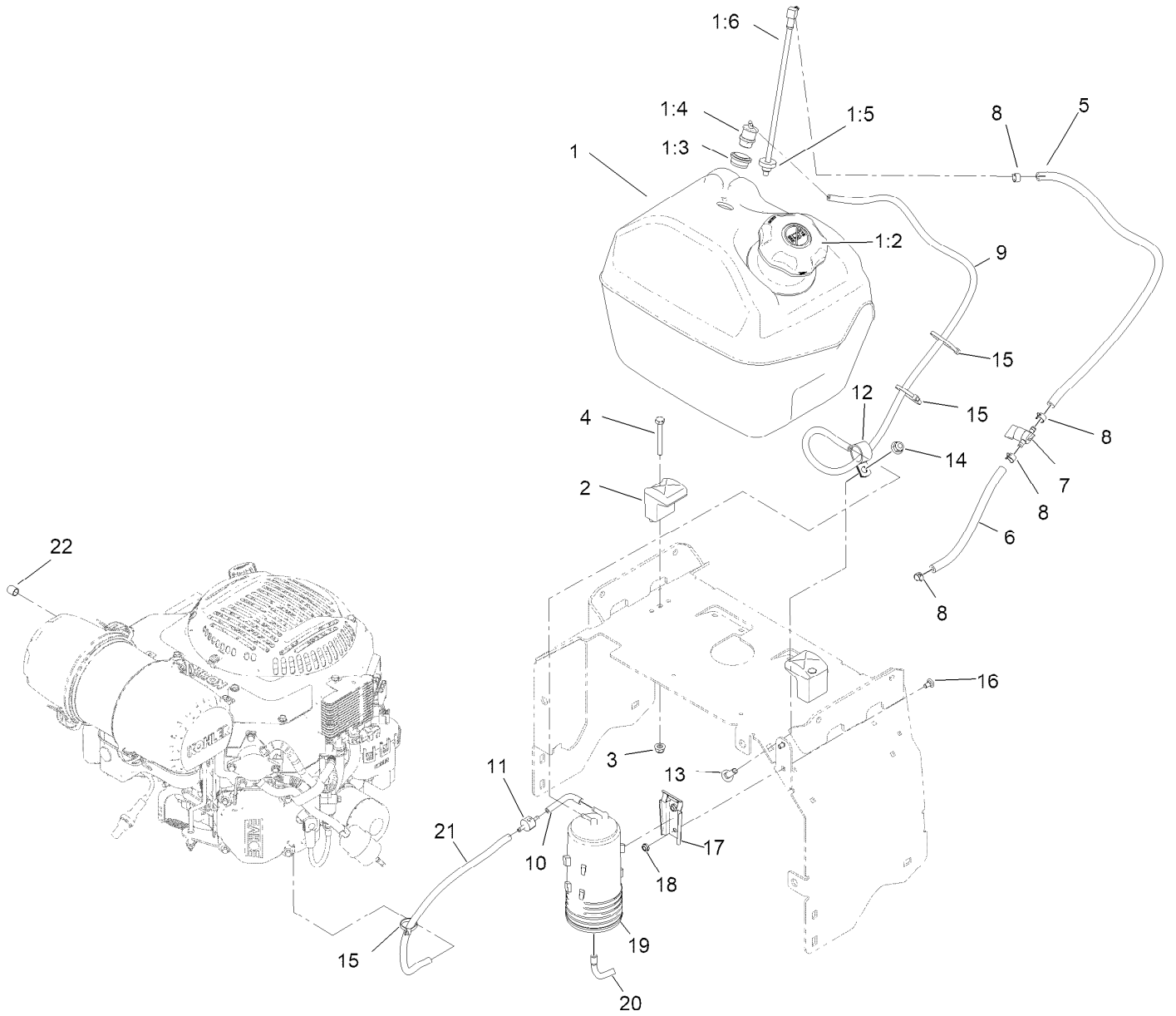
Console Assembly



Console Assembly (continued)

<i>Ref.</i>	<i>Part Number</i>	<i>Qty.</i>	<i>Description</i>	<i>Ref.</i>	<i>Part Number</i>	<i>Qty.</i>	<i>Description</i>
1	145-3520	2	Switch-Plunger, On-(On)	13:3	106-5270	1	Ignition Key Set
2	122-0917	2	Sensor-Position	13:4	108-8659	1	Washer-Backup
3	3256-14	4	Washer-Flat	15	142-9022	1	Controller-Safety
4	32105-1	4	Screw-SHH	16	321-15	2	Screw-HH
5	146-0079	1	Display-4.3In, Color	17	104-7201	2	Nut-HF, NI
6	146-0720	1	Mount-Display	18	146-7014	3	Light- Amber
6:2	146-5743	1	Seal-Panel	19	146-2772	2	Light-Indicator
6:3	119-1057	4	Screw-BHCS	19:1	133-9078	1	Nut-Hex
6:4	363-6505	4	Washer,Lock,EXT T,.172X.373X.02,Sst,Rohs	20	126-6286	1	Alarm-Dual Tone
8	139-6368	1	Switch-Rocker, On-None-On	21	146-2912	1	Button-E-Stop
9	100-1535	1	Switch-Rocker, (On)-Off-(On)	21:1	146-5741	1	Nut-E-Stop Hex M12
10	146-4846	1	Switch-Rotary 2 Pos	23	146-6419	1	Harness-Console
11	106-2027	1	Switch-Intermittent	23:1	32180-400	8	Clip-Tie, Fir Tree W/Tie, 5MM/.196" Hole
12	146-4484	1	Switch - Pushbutton, Off-(On)	23:2	32180-282	2	Conn, Res, 120 Ohm
13	126-6285	1	Ignition Switch ASM	23:11	3290-378	1	Tie-Cable
13:2	108-8660	1	Nut-Mounting	23:15	32180-089	1	Cap-Plug, 3 Way
				23:16	112-1540	1	Ferrite-Snap On
				24	146-7145	6	Screw-Phph
				25	3296-9	6	Nut-Hex

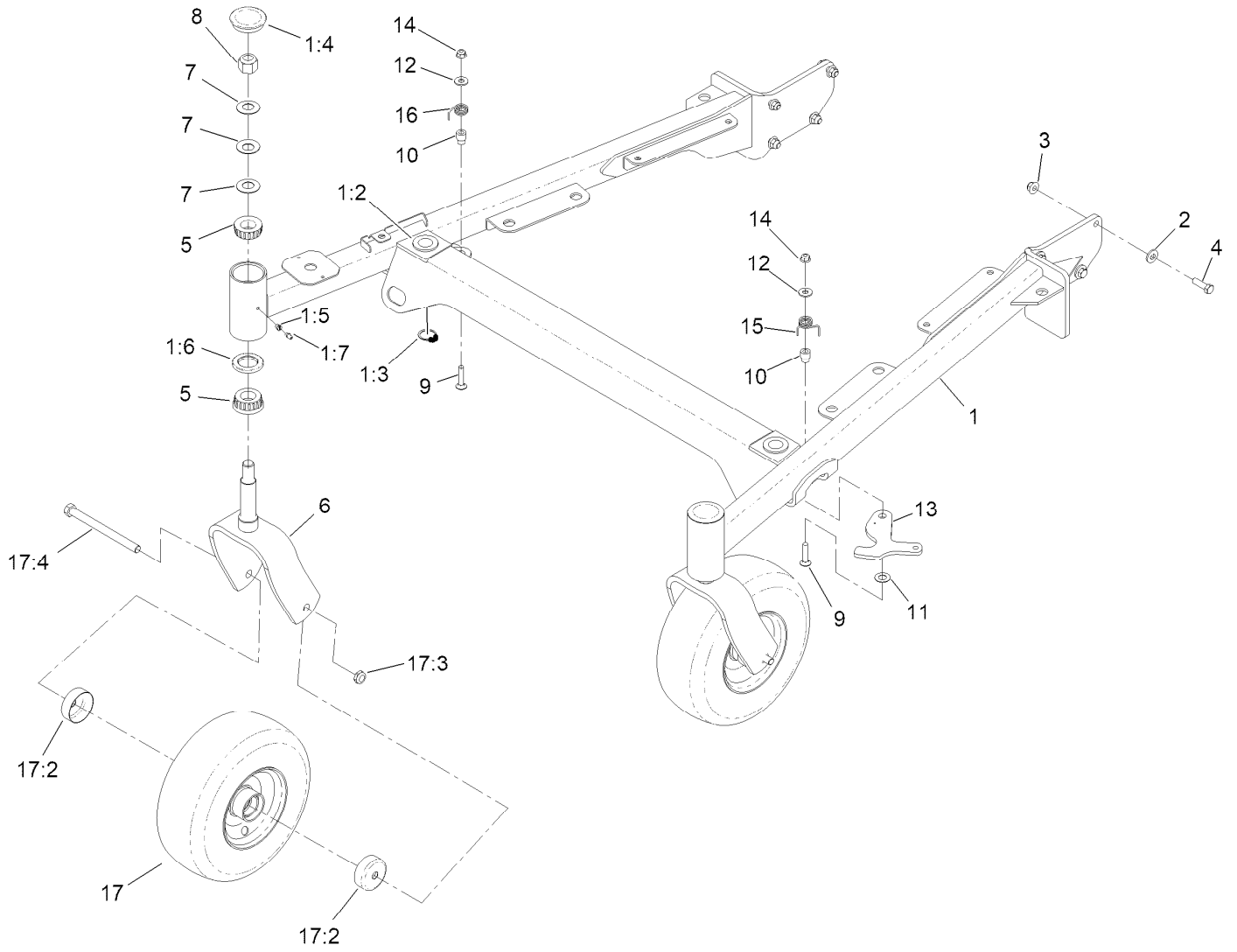
Fuel Tank Assembly



Fuel Tank Assembly (continued)

<i>Ref.</i>	<i>Part Number</i>	<i>Qty.</i>	<i>Description</i>	<i>Ref.</i>	<i>Part Number</i>	<i>Qty.</i>	<i>Description</i>
1	146-0225	1	Fuel Tank ASM, 5 Gal	9	110-3958	1	Hose-Fuel
1:2	137-4119	1	Cap-Fuel, Ratcheting	10	116-2233	1	Hose-Vent, Formed
1:3	114-0284	1	Grommet	11	133-8499	1	Valve-Check, Vacuum
1:4	119-3547	1	Valve-Vent, Fuel	12	1-643312	1	Clip-Loom
1:5	46-6560	1	Bushing	13	3231-22	1	Screw-CARR
1:6	109-9364	1	Fitting-Fuel (W/Line And Screen)	14	119-4042	1	Nut-HF, NI
2	146-0156	2	Clamp-Tank	15	3290-378	3	Tie-Cable
3	119-4041	2	Nut-HF	16	3229-10	2	Screw-CARR
4	322-12	2	Screw-HH	17	114-0292	1	Bracket-Canister, Carbon
5	110-4103	1	Hose-Fuel	18	3296-56	2	Nut-Lock, NI
6	109-0293	1	Hose-Fuel	19	117-1221	1	Canister-Carbon, 800Cc
7	1-603770	1	Valve-Fuel	20	119-8502	1	Hose-Vent, Formed
8	2412-98	4	Clamp-Hose	21	115-7872	1	Hose-Fuel
				22	116-4464	1	Plug-Port

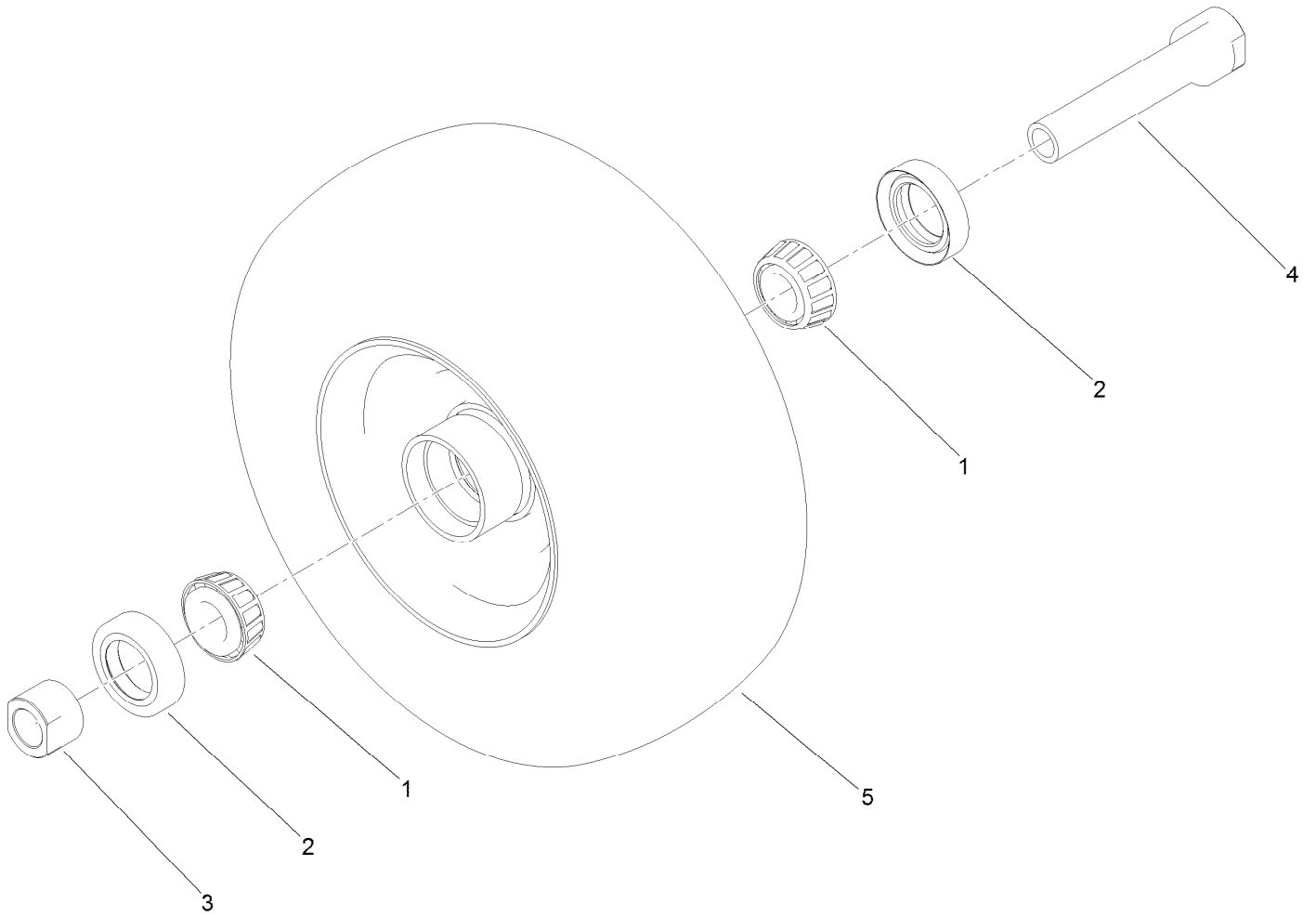
Front Frame Assembly



Front Frame Assembly (continued)

<i>Ref.</i>	<i>Part Number</i>	<i>Qty.</i>	<i>Description</i>	<i>Ref.</i>	<i>Part Number</i>	<i>Qty.</i>	<i>Description</i>
1	146-5615	1	ASM, Front Frame W/ Bearings, 60"	8	3296-51	2	Nut-Lock, NI
1:2	1-513336	2	Bushing-Deck	9	3230-4	2	Screw-CARR
1:3	32120-33	2	Ring-Retaining	10	108-9087	2	Collar-Basket
1:4	103-4882	2	Cap-Grease	11	110-4068	2	Washer-Plastic
1:5	1-811010	2	Plug	12	3256-3	2	Washer-Flat
1:6	1-543511	2	Seal-Grease	13	135-4827-01	2	Latch, Deck Height
1:7	302-19	1	Fitting-Grease	14	119-4041	2	Nut-HF
2	98-5975	8	Washer-Belleville	15	75-3960	1	Spring-Torsion, LH (Yellow)
3	119-4042	8	Nut-HF, NI	16	75-3970	1	Spring-Torsion, RH
4	323-7	8	Screw-HH	17	140-5485	2	Mf Wheel Tire Bearing ASM
5	1-543509	4	Bearing-Roller, Tapered	17:2	103-2768	2	Guard-Seal
6	103-1891-01	2	Wld, Caster Fork	17:3	3296-45	1	Nut-Hex
7	1-633508	6	Washer-Bellville	17:4	325-20	1	Screw-HH

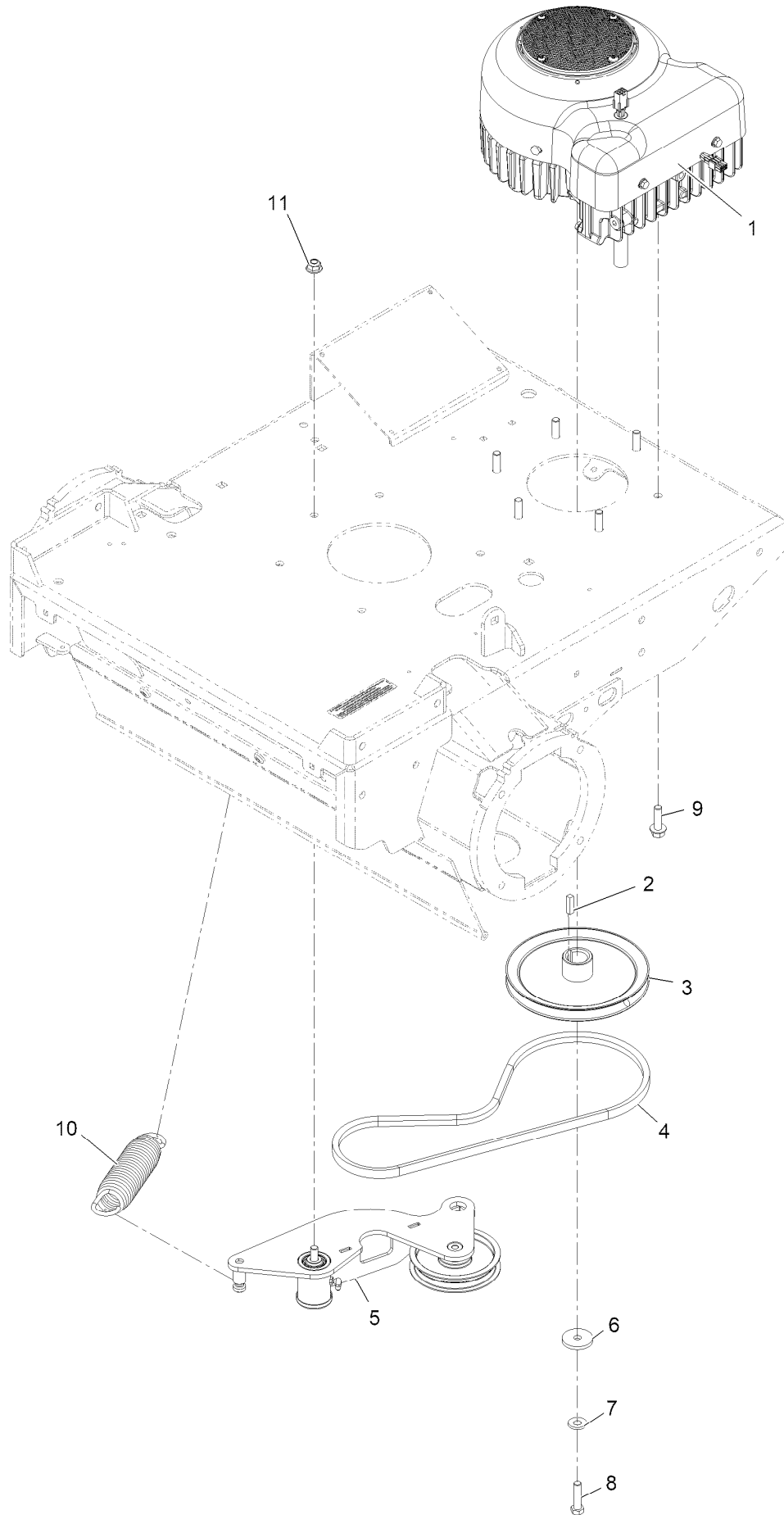
Wheel and Bearing Assembly



Wheel and Bearing Assembly (continued)

<i>Ref.</i>	<i>Part Number</i>	<i>Qty.</i>	<i>Description</i>	<i>Ref.</i>	<i>Part Number</i>	<i>Qty.</i>	<i>Description</i>
1	1-633585	2	Bearing-Cone, Taper	4	126-5359	1	Caster Axle ASM
2	103-0063	2	Seal-Caster	5	140-5483	1	Mf Wheel And Tire ASM
3	103-3051	1	Spacer-Nut				

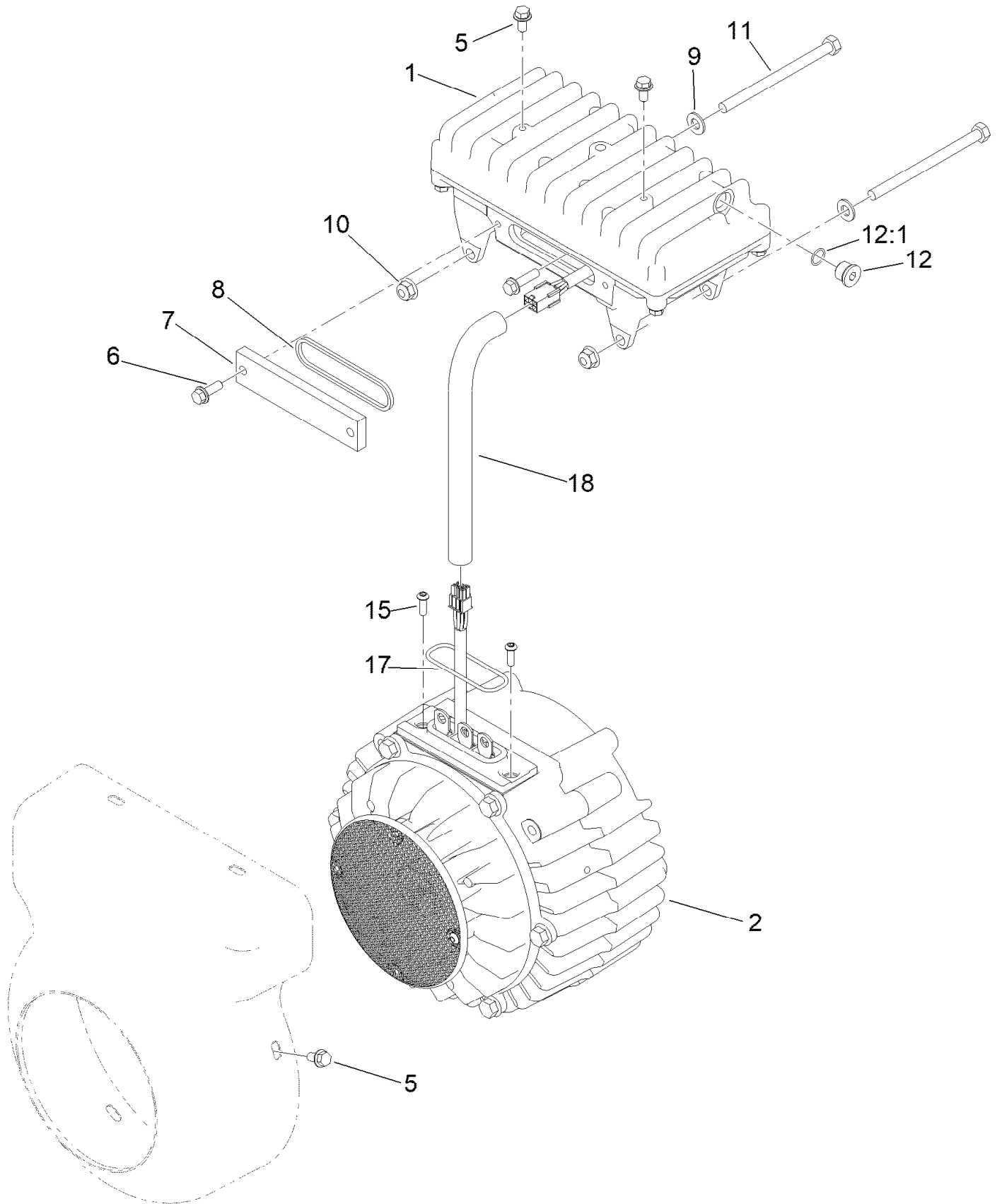
Generator Assembly



Generator Assembly (continued)

<i>Ref.</i>	<i>Part Number</i>	<i>Qty.</i>	<i>Description</i>	<i>Ref.</i>	<i>Part Number</i>	<i>Qty.</i>	<i>Description</i>
1	127-2580	1	Generator/Controller ASM	7	98-5975	1	Washer-Spring Disc 3/8
2	1-807259	1	Key-Machine 1/4 X 1/4 X 1	8	3211-41	1	Screw-HH
3	146-1270	1	Sheave-Generator	9	119-4061	6	Screw-HHF 3/8-16 X 1 1/4
4	146-6796	1	Belt-V	10	116-6317	1	Spring-Extension
5	142-9566	1	Idler Arm ASM	11	119-4042	1	Nut-HF, NI
6	131-8496	1	Washer-Plain				

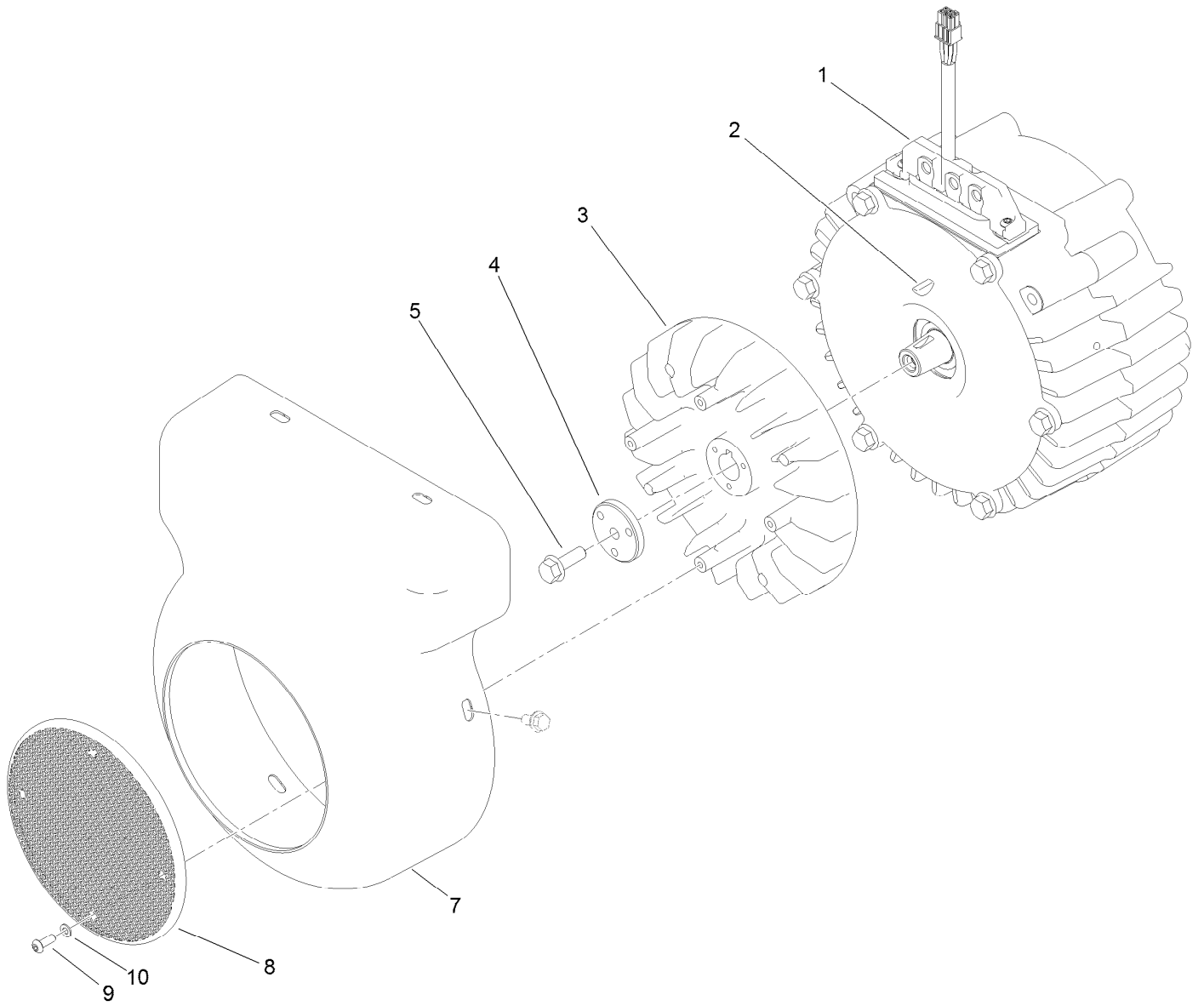
Generator/Controller Assembly No. 127-2580



Generator/Controller Assembly No. 127-2580 (continued)

<i>Ref.</i>	<i>Part Number</i>	<i>Qty.</i>	<i>Description</i>	<i>Ref.</i>	<i>Part Number</i>	<i>Qty.</i>	<i>Description</i>
1	117-8181	1	Controller ASM	11	322-38	2	Screw-HH
2	127-2579	1	Generator ASM	12	353-989	1	Plug-Hex, Hollow
5	119-1065	6	Screw-Lock, HF	12:1	237-42	1	O-Ring
6	119-1138	2	Screw-HHF, Patch	15	119-7568	2	Screw-HSBH
7	120-4511	1	Cover-Access	17	117-8176	1	O-Ring
8	120-4513	1	Gasket-Cover, Access	18	127-2747	1	Sleeve-Harness, Expandable
9	3256-23	2	Washer-Plain				
10	119-4041	2	Nut-HF				

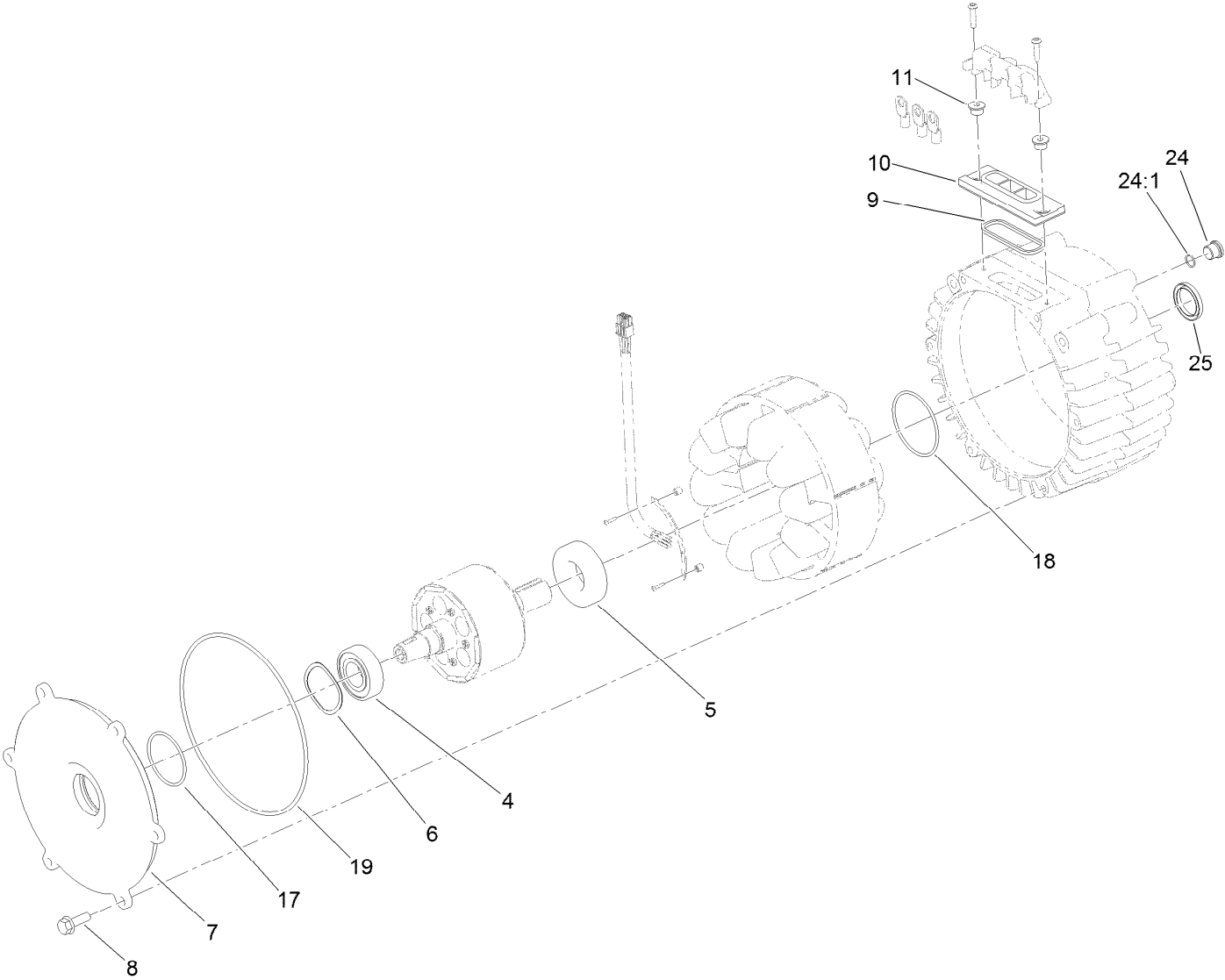
Generator Assembly No. 127-2579



Generator Assembly No. 127-2579 (continued)

<i>Ref.</i>	<i>Part Number</i>	<i>Qty.</i>	<i>Description</i>	<i>Ref.</i>	<i>Part Number</i>	<i>Qty.</i>	<i>Description</i>
1	127-2578	1	Generator Service ASM	7	121-7082	1	Cover-Generator
2	112-5193	1	Key-Woodruff	8	120-4582	1	Screen-Fan
3	117-8184	1	Fan-Generator	9	120-4564	4	Screw-BHCS
4	112-9604	1	Collar	10	120-4563	4	Washer-Flat
5	33104-025	1	Screw-HHF				

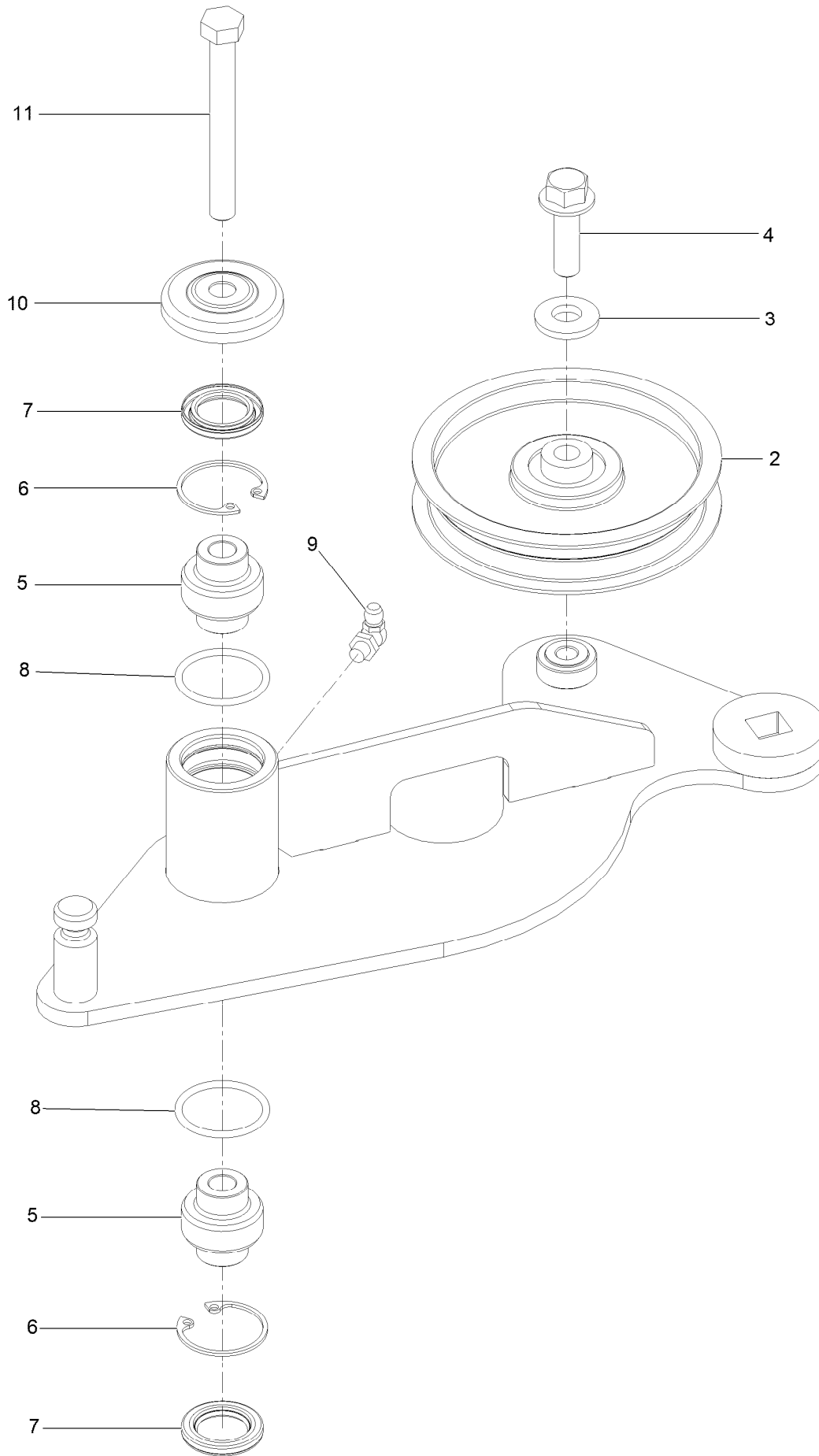
Generator Service Assembly No. 127-2578



Generator Service Assembly No. 127-2578 (continued)

<i>Ref.</i>	<i>Part Number</i>	<i>Qty.</i>	<i>Description</i>	<i>Ref.</i>	<i>Part Number</i>	<i>Qty.</i>	<i>Description</i>
4	120-4621	1	Bearing	11	117-4501	2	Spacer-Shoulder
5	120-4622	1	Bearing	17	107-3244	1	O-Ring
6	117-8148	1	Washer-Wave	18	117-8177	1	O-Ring
7	117-4514	1	Cover-Generator	19	112-5199	1	O-Ring
8	33104-025	6	Screw-HHF	24	353-989	1	Plug-Hex, Hollow
9	120-4518	1	Gasket-Isolator	24:1	237-42	1	O-Ring
10	112-5155	1	Isolator-Thermal	25	125-1509	1	Seal

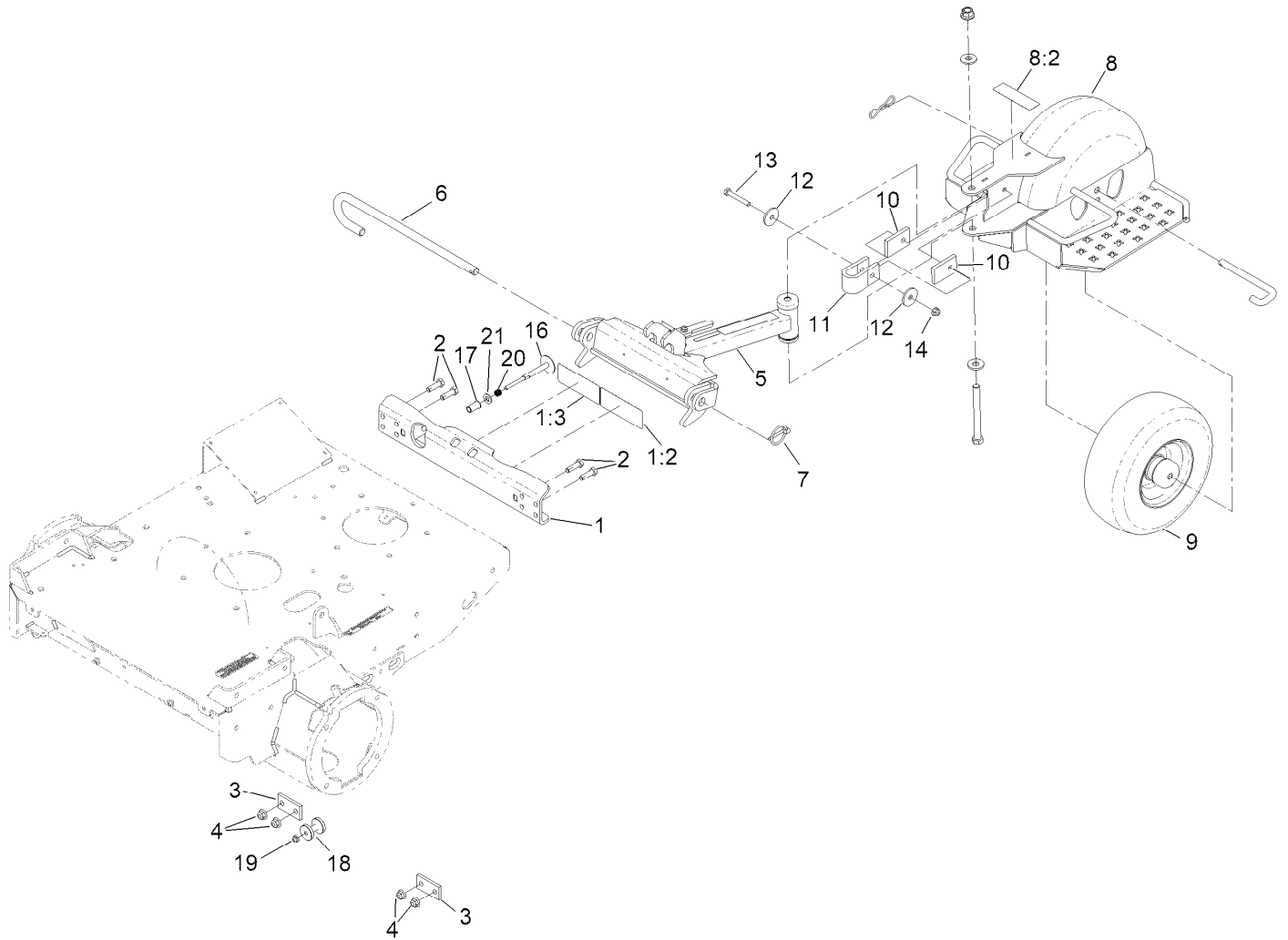
Idler Arm Assembly



Idler Arm Assembly (continued)

<i>Ref.</i>	<i>Part Number</i>	<i>Qty.</i>	<i>Description</i>	<i>Ref.</i>	<i>Part Number</i>	<i>Qty.</i>	<i>Description</i>
2	103-9401	1	Idler	7	103-3506	2	Seal-Single Lip
3	98-5975	1	Washer-Spring Disc 3/8	8	106-7159	2	O-Ring
4	119-4061	1	Screw-HHF 3/8-16 X 1 1/4	9	302-40	1	Zerk-90 1/4-28
5	103-3504	2	Bearing-Spherical	10	103-2916	1	Guard-Top
6	32120-10	2	Ring-Retaining	11	323-20	1	Screw-HH 3/8-16 X 3-1/4

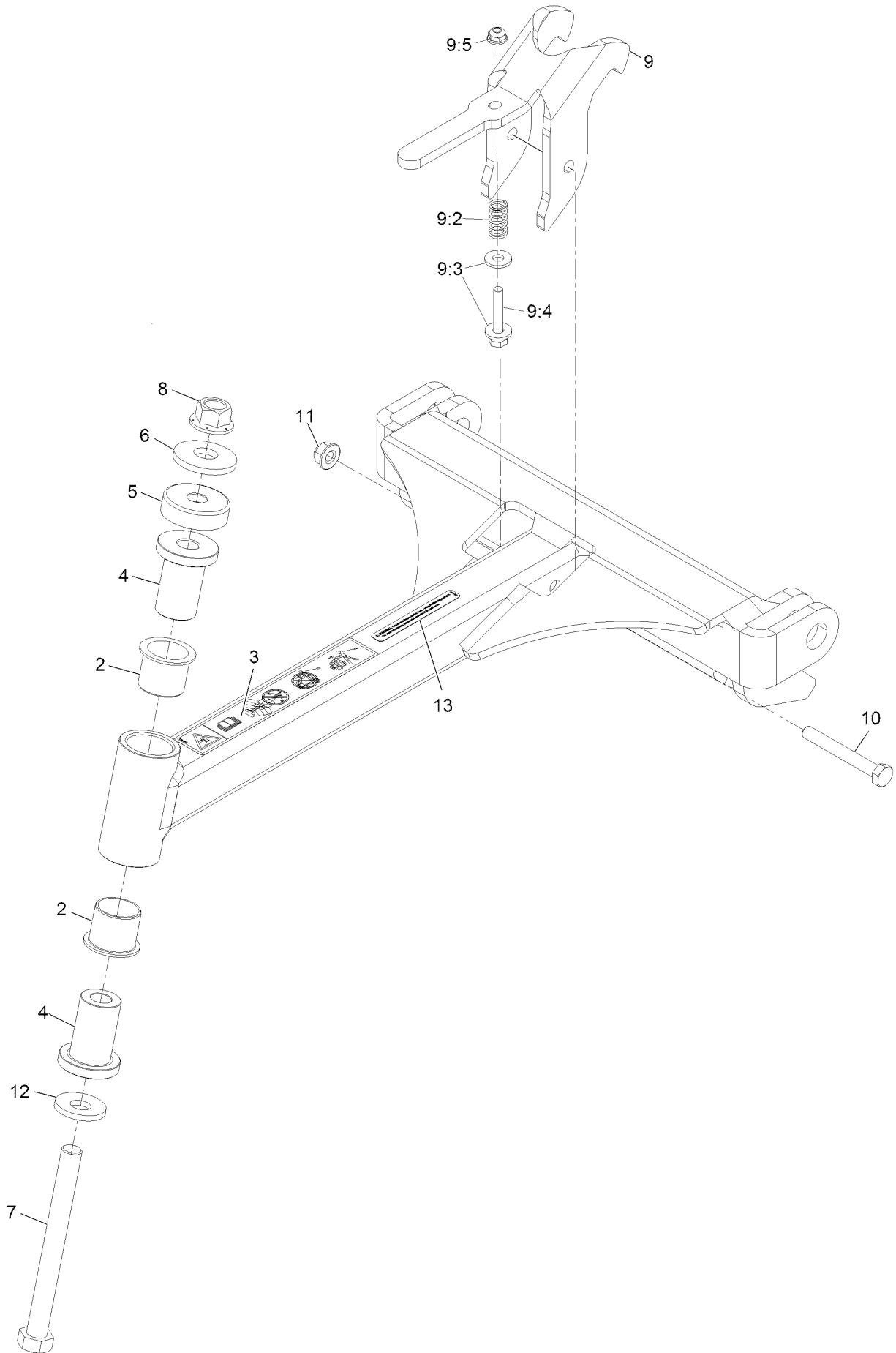
Sulky Frame Assembly



Sulky Frame Assembly (continued)

<i>Ref.</i>	<i>Part Number</i>	<i>Qty.</i>	<i>Description</i>	<i>Ref.</i>	<i>Part Number</i>	<i>Qty.</i>	<i>Description</i>
1	146-6606	1	Mount Plate W/ Decals ASM	9	146-6990	1	ASM, Wheel And Bearings
1:2	116-8225	1	Decal-Belt Drive Warning	10	103-6654	2	Pad, Stop
1:3	126-1400	1	Decal-Warning, Sulky	11	126-9101	1	Stop, Rotation
2	323-7	4	Screw-HH	12	1-213069	2	Washer
3	103-6663	2	Plate, Back-Up	13	322-11	1	Screw-HH
4	119-4042	4	Nut-HF, NI	14	119-4041	1	Nut-HF
5	126-1958	1	ASM, Draw Bar	16	146-2678	1	Plunger-Sulky ASM
6	116-6302	1	Pin, Pivot	17	146-0794	1	Bushing-Plastic
7	92-1298	1	Pin-Lynch	18	146-0817	1	Target-Switch
8	146-6989	1	ASM-Sulky Frame W/ Decals	19	104-7201	1	Nut-HF, NI
8:2	135-0300	1	Decal-Warning Hand Pinch	20	109-7888	1	Spring, Compression
				21	3256-24	1	Washer-Plain

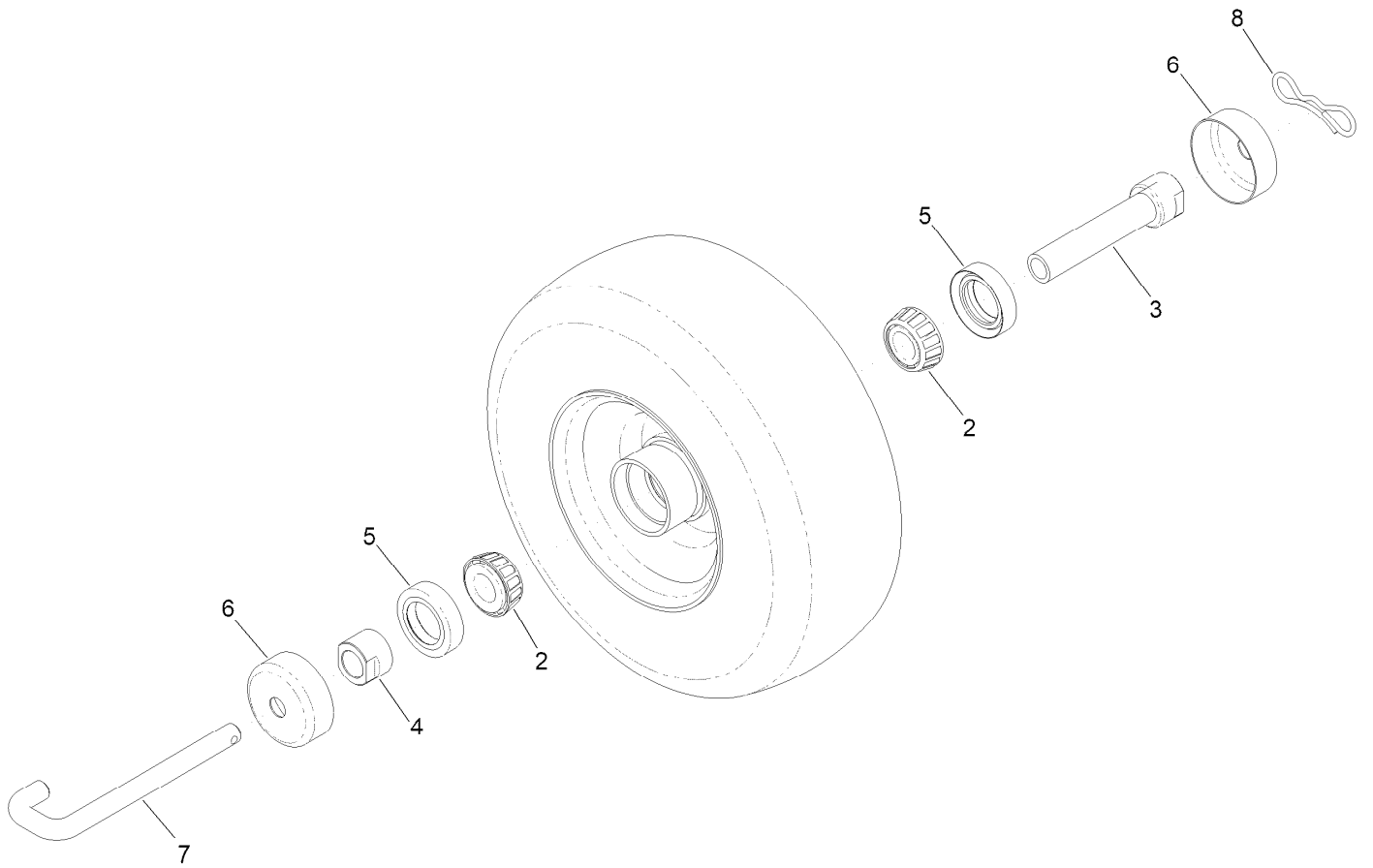
Drawbar Assembly



Drawbar Assembly (continued)

<i>Ref.</i>	<i>Part Number</i>	<i>Qty.</i>	<i>Description</i>	<i>Ref.</i>	<i>Part Number</i>	<i>Qty.</i>	<i>Description</i>
2	126-1963	2	Bushing-Pivot	9:2	116-6523	1	Spring, Compression
3	126-1411	1	Decal-Sulky Hazard	9:3	3256-2	2	Washer-1/4 Std
4	126-1964	2	Spacer, Pivot	9:4	321-37	1	Screw-HH
5	116-6313	1	Cover, Dust	9:5	104-7201	1	Nut-Nyloc 1/4-20 Flg
6	116-8429	1	Washer-Belleville	10	322-12	1	Screw-HH 5/16-18 X 2 1/2
7	325-19	1	Screw-HH 1/2-13 X 5	11	119-4041	1	Nut-HF
8	139-1689	1	Nut-HF	12	1-513435	1	Washer-Spring Disc 1/2
9	126-2125	1	Transp. Latch ASM	13	133-8061	1	Decal-Warning

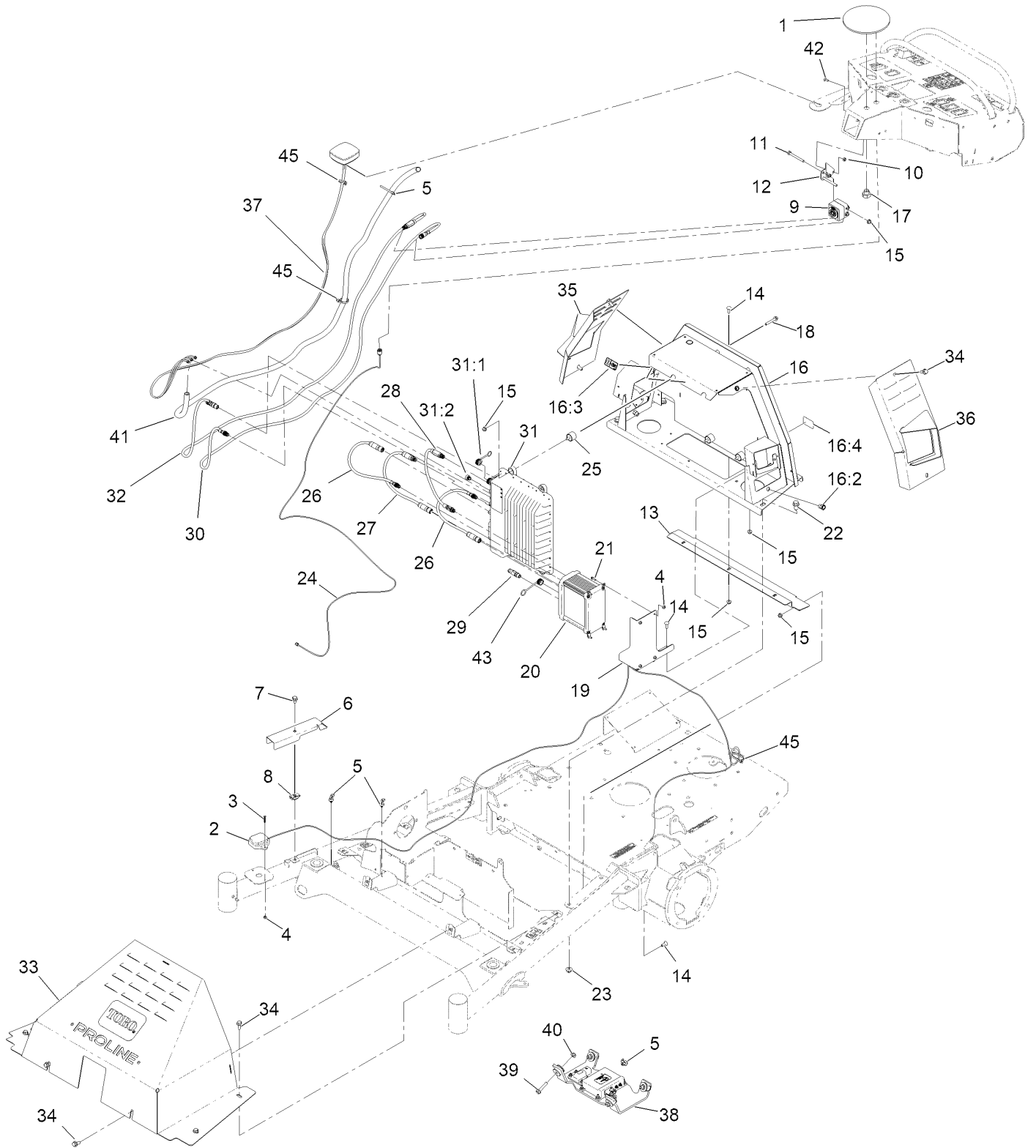
Wheel Assembly



Wheel Assembly (continued)

<i>Ref.</i>	<i>Part Number</i>	<i>Qty.</i>	<i>Description</i>	<i>Ref.</i>	<i>Part Number</i>	<i>Qty.</i>	<i>Description</i>
2	1-633585	2	Bearing-Cone Tapered Roller	5	103-0063	2	Seal-Double Lip
3	126-5359	1	Caster Axle ASM	6	103-2768	2	Guard-Seal
4	103-3051	1	Spacer-Nut	7	116-6017	1	Pin, Caster
				8	116-6392	1	Pin-Cotter, Locking

ACS Assembly

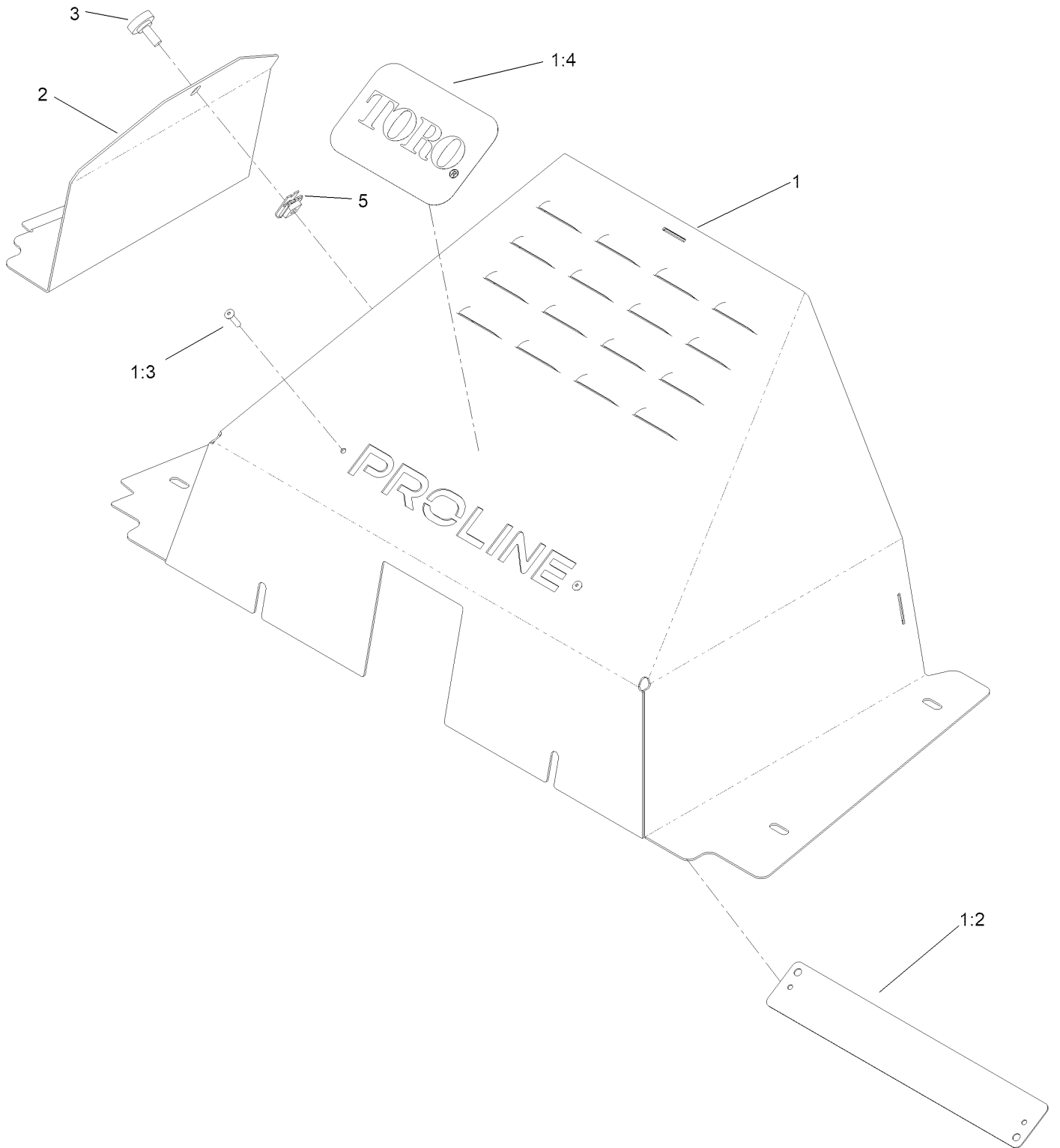


ACS Assembly (continued)

<i>Ref.</i>	<i>Part Number</i>	<i>Qty.</i>	<i>Description</i>	<i>Ref.</i>	<i>Part Number</i>	<i>Qty.</i>	<i>Description</i>
1	142-9055	1	Antenna-GPS	23	119-4042	4	Nut-HF, NI
2	142-9582	1	Antenna-GPS	24	142-9883	1	GPS Antenna Cable
3	360-0272	2	Screw	25	125-2674	4	Mount-Cylindrical
4	3296-1	6	Nut-Lock	26	161-7456	2	Cable - Radar Io M/F
5	32180-400	4	Clip-Tie, Fir Tree W/Tie, 5MM/.196" Hole	27	142-9890	1	Cable -Radar Pwr
6	146-2600-01	1	Cover-Wire	28	142-9891	1	Cable - Radar Ethernet
7	3234-30	1	Screw-HHF	29	122-3451	1	Cable Assy, Acs Nova 2.1, Radar Plug
8	110-3510	1	Nut-Retainer	30	142-9895	1	Cable - Camera Pwr
9	142-9884	1	Camera - 180 Degree Fov	31	161-7461	1	Controller - Nova
10	3296-2	2	Nut-Lock, NI	31:1	142-9894	1	Cover - M12
11	321-15	2	Screw-HH	31:2	161-7479	1	Plug - Lidar
12	146-4807-03	1	Bracket-Camera	32	142-9896	1	Cable - Camera Io
13	146-2673-03	1	Shield-Heat, Lower	33		1	Hood ASM, Front ●
14	1-807512	7	Bolt-CARR	34	100-1668	10	Screw-HHF
15	104-7201	13	Nut-HF, NI	35	146-5229-05	1	Weld-Panel Access, RH
16	146-5963	1	Acs Mount ASM	36	146-5228-05	1	Weld-Panel Access, LH
16:2	138-2899	4	Nut-Clinch	37	161-7450	1	Antenna - Cell/Wifi
16:3	137-8127	1	Decal-No Spray	38		1	ASM- INS,Mtit ●
16:4	106-5517	2	Decal-Warning	39	115-1794	4	Screw-HHF
17	146-5525	1	Screw-HH,	40	119-4041	4	Nut-HF
18	32105-18	4	Screw-HHF	41	146-4810	1	Loom-Split
19	146-2681-03	1	Bracket-Controller	42	1-807513	2	Bolt-CARR
20	161-7522	1	Controller - Radar	43	161-7454	1	Cover - M16
21	112-3169	4	Screw-HHF, Serrated	45	3290-378	3	Tie-Cable
22	3234-1	4	Screw-HHF				

● Not serviced separately

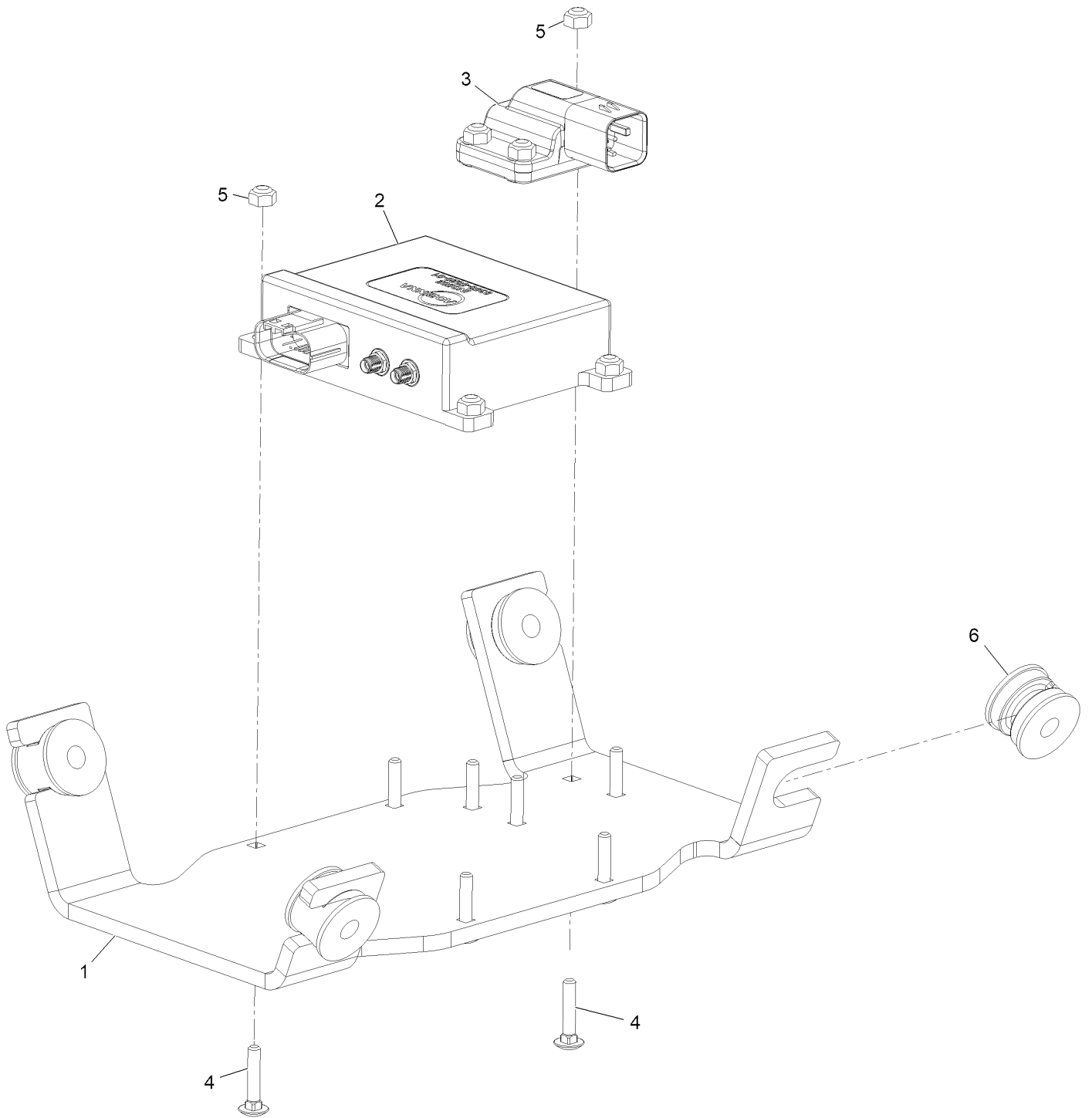
Front Hood Assembly



Front Hood Assembly (continued)

<i>Ref.</i>	<i>Part Number</i>	<i>Qty.</i>	<i>Description</i>	<i>Ref.</i>	<i>Part Number</i>	<i>Qty.</i>	<i>Description</i>
1	146-7067	1	ASM-Front Hood	2	146-3446-05	1	Panel-Access, Battery
1:2	146-6018-01	1	Plate-Backing	3	146-3450	1	Screw-Thumb
1:3	130-8451	2	Rivet-Trifold	5	110-3510	1	Nut-Retainer
1:4	99-4693	1	Decal				

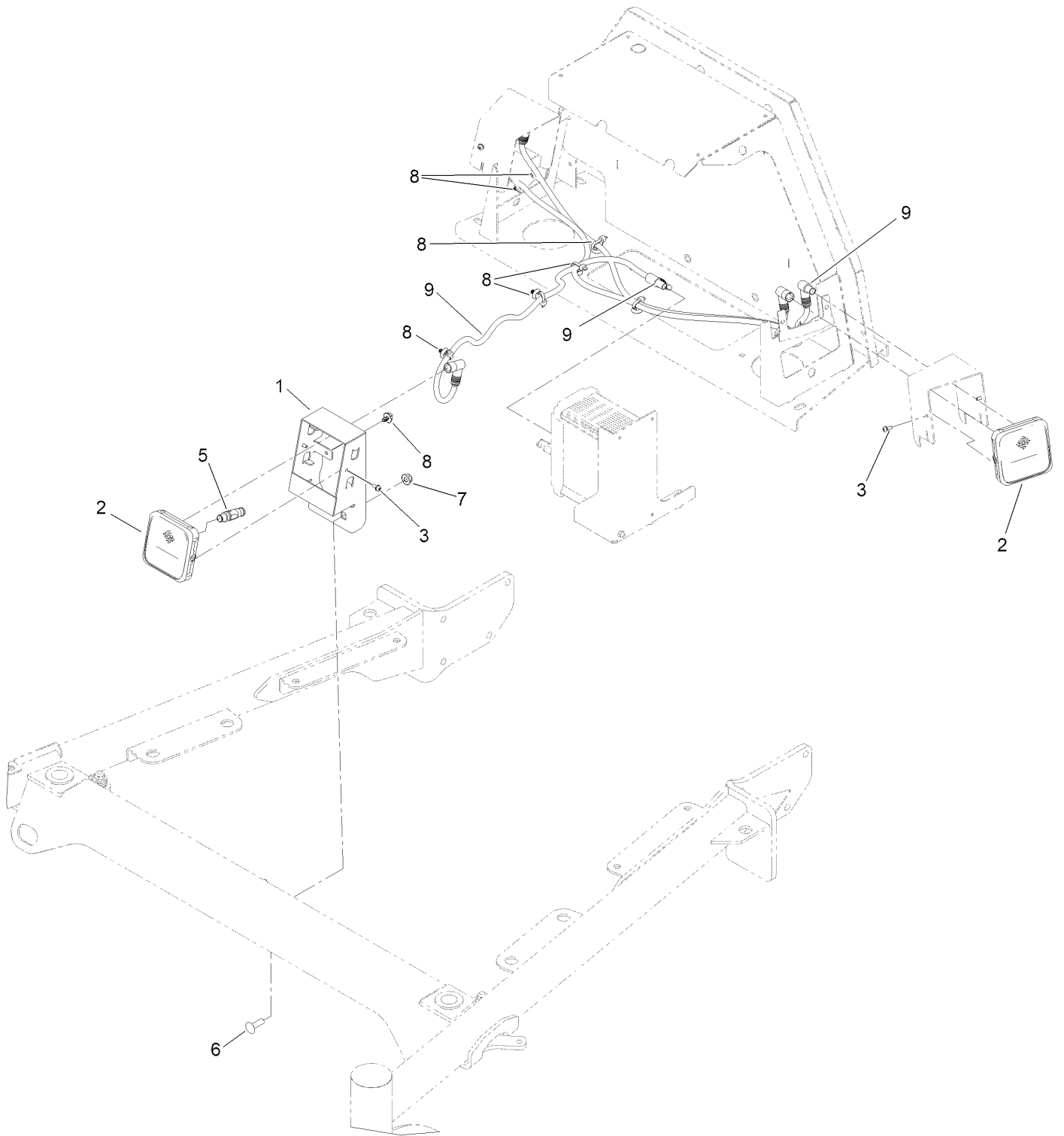
Sensor Isolation Assembly



Sensor Isolation Assembly (continued)

<i>Ref.</i>	<i>Part Number</i>	<i>Qty.</i>	<i>Description</i>	<i>Ref.</i>	<i>Part Number</i>	<i>Qty.</i>	<i>Description</i>
1	146-6972-01	1	Plate, INS Mount	4	146-6976	8	Screw-CARR
2	146-8204	1	Kit-INS	5	3296-2	8	Nut-Nyloc #10-24
3	146-5720	1	Kit-Complete Imu	6	146-6975	4	Isolator, Vibration

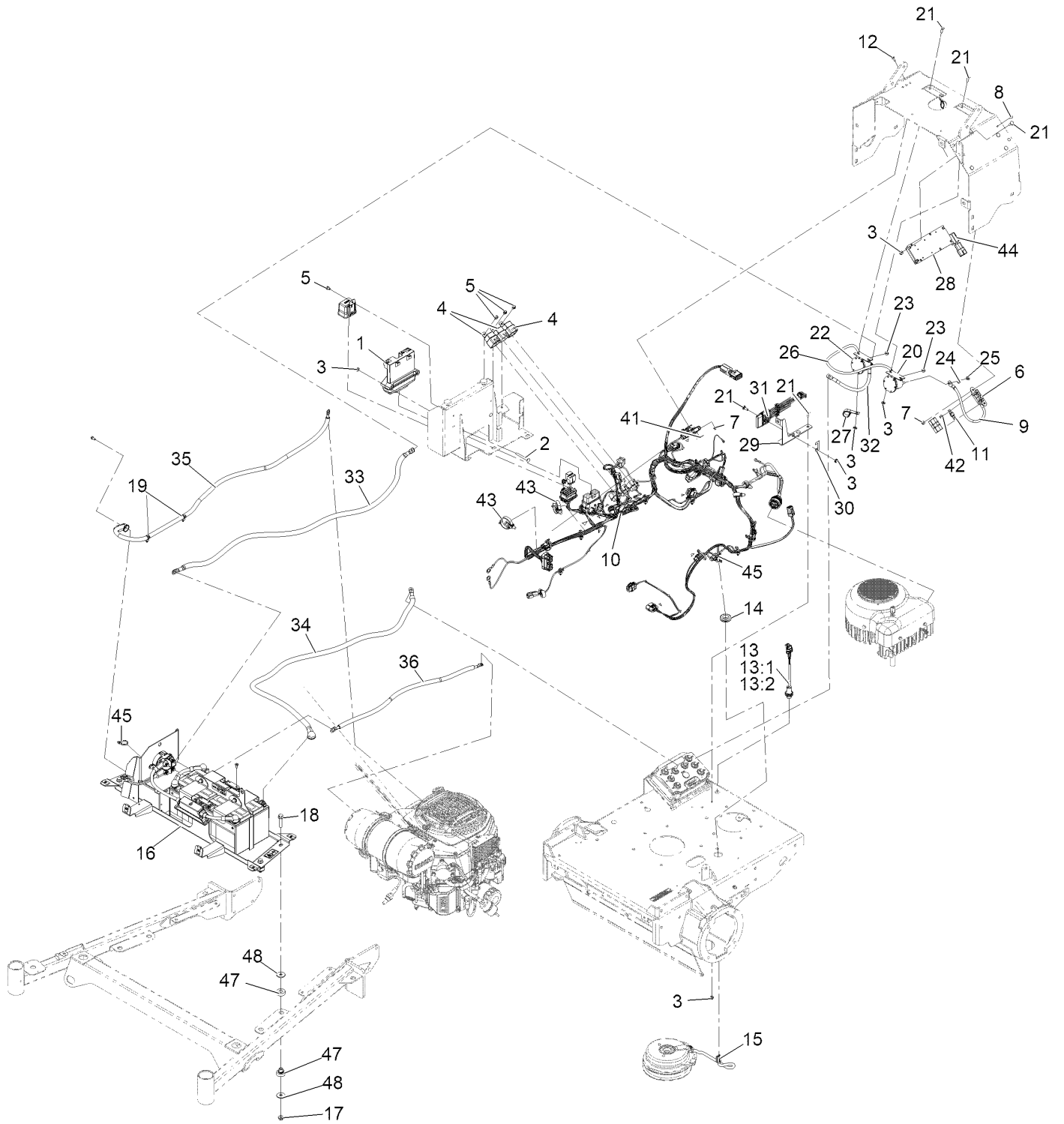
Obstacle Detection Assembly



Obstacle Detection Assembly (continued)

<i>Ref.</i>	<i>Part Number</i>	<i>Qty.</i>	<i>Description</i>	<i>Ref.</i>	<i>Part Number</i>	<i>Qty.</i>	<i>Description</i>
1	146-8194-05	1	Bracket-Radar [blk-Txt]	7	119-4041	2	Nut-HF
2	161-7521	3	Sensor - Radar	8	32180-400	11	Clip-Tie, Fir Tree W/Tie, 5MM/.196" Hole
3	146-7225	6	Screw-PPH, Sems	9	161-7451	3	Cable - Radar Sensor To Sensor
5	122-3451	1	Cable Assy, Acs Nova 2.1, Radar Plug				
6	3230-22	2	Bolt-Carriage 5/16-18 X 1 Sp				

Electrical Assembly

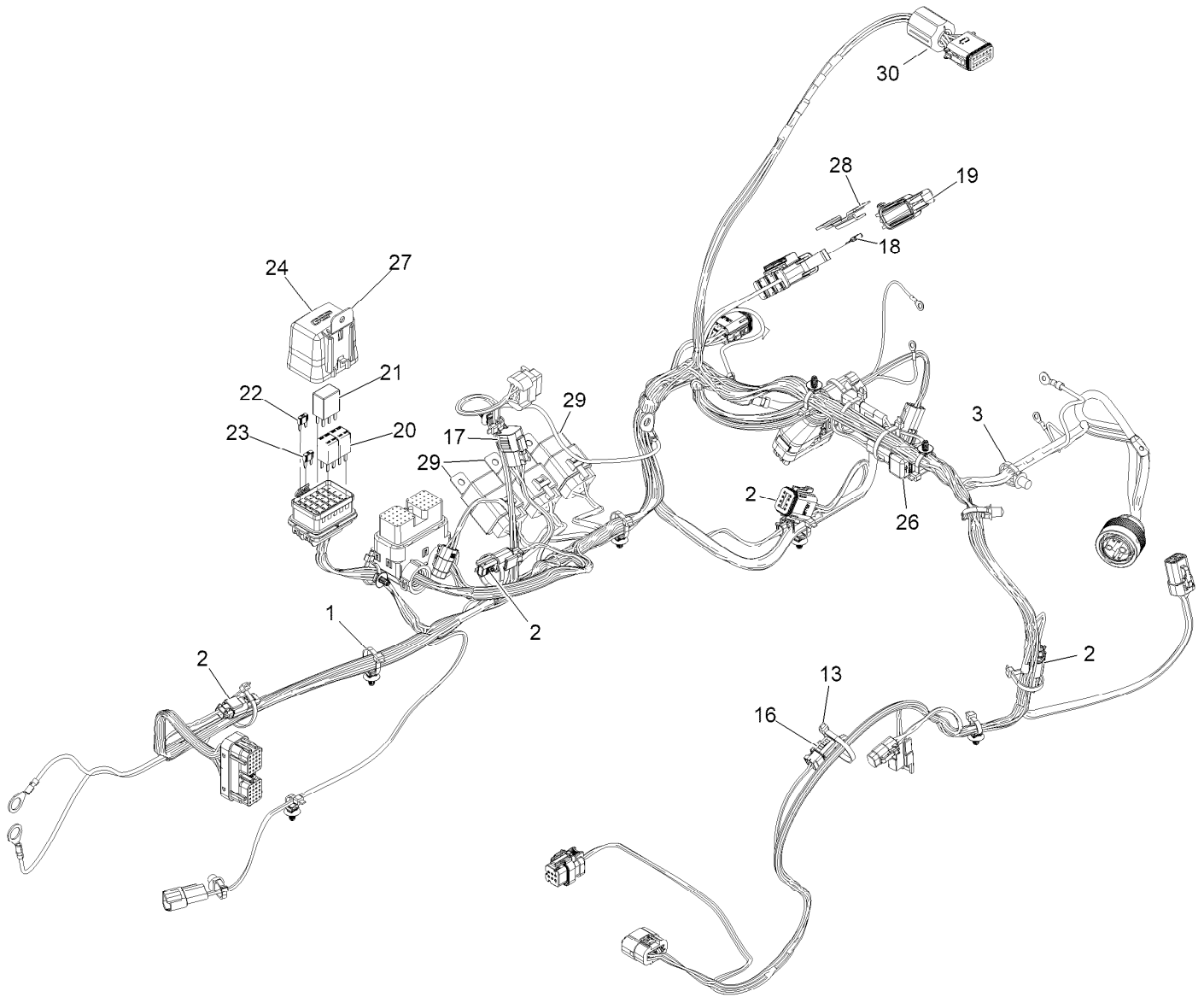


Electrical Assembly (continued)

<i>Ref.</i>	<i>Part Number</i>	<i>Qty.</i>	<i>Description</i>	<i>Ref.</i>	<i>Part Number</i>	<i>Qty.</i>	<i>Description</i>
1	142-9022	1	Controller-Safety	21	1-807512	11	Bolt-Carriage 1/4-20 X 3/4 Short Neck
2	3229-8	2	Bolt-Carriage 1/4-20 X 2 1/2	22	145-3542	1	Contacto-DC, 12V
3	104-7201	13	Nut-Nyloc 1/4-20 Flg	23	32149-8	4	Nut-Keps #10-32
4	70-1480	3	Relay	24	3253-4	2	Washer-Lock 5/16
5	137-4795	4	Screw	25	3220-2	2	Nut-Jam 5/16-24
6	132-9796	1	Fuse-Holder, Midi Fuse	26	146-3622	1	Cable-CONT, Rd ASM
7	120-4578	4	Nut-HF	27	120-5018	2	Clip-Open J, Coated
8	104-1450	2	Bolt-CARR	28	146-6892	1	Converter DC-DC
9	146-3490	1	Cable-Gen, Rd ASM	29	146-4819-01	1	Plate- Can Isolator Mnt
10	146-6418	1	Harness-Chassis	30	32180-020	1	Clip-Connector
11	122-2621	1	Fuse-80A	31	119-4330	1	Isolated Can Module ASM
12	3290-321	2	Screw-HWH #10-24 X 1/2	32	146-3623	1	Cable-Mtr Ctr, Rd ASM
13	115-5300	1	Sensor, Proximity Sensor ASM	33	146-3624	1	Cable-Pwr, Rd ASM
13:1	117-3207	2	Nut-Hex	34	146-3625	1	Cable-Grnd, Blk ASM
13:2	117-3208	2	Washer-Lock, Internal Tooth	35	146-3626	1	Cable-Grnd, Blk ASM
14	1-543286	1	Grommet	36	146-3627	1	Cable-Pwr, Rd ASM
15	126-0624	1	Harness-Clutch Pigtail	41	146-4949	1	Decal-Fuse,Main
16		1	Battery ASM ●	42	120-4580	2	Nut-HF
17	119-4042	4	Nut-HF, NI	43	32181-018	2	Clip, Fir Tree W/Tie
18	3234-19	4	Screw-HHF 3/8-16 X 1 3/4	44	147-8183	1	Ferrite, Snap-On
19	32180-400	2	Clip-Tie, Fir Tree W/Tie, 5MM/.196" Hole	45	3290-378	2	Tie-Cable
20	122-1274	1	Contacto-DC, 48V	47	121-2870	4	Mount-2 Piece
				48	93-8806	8	Washer-Hardened

● Not serviced separately

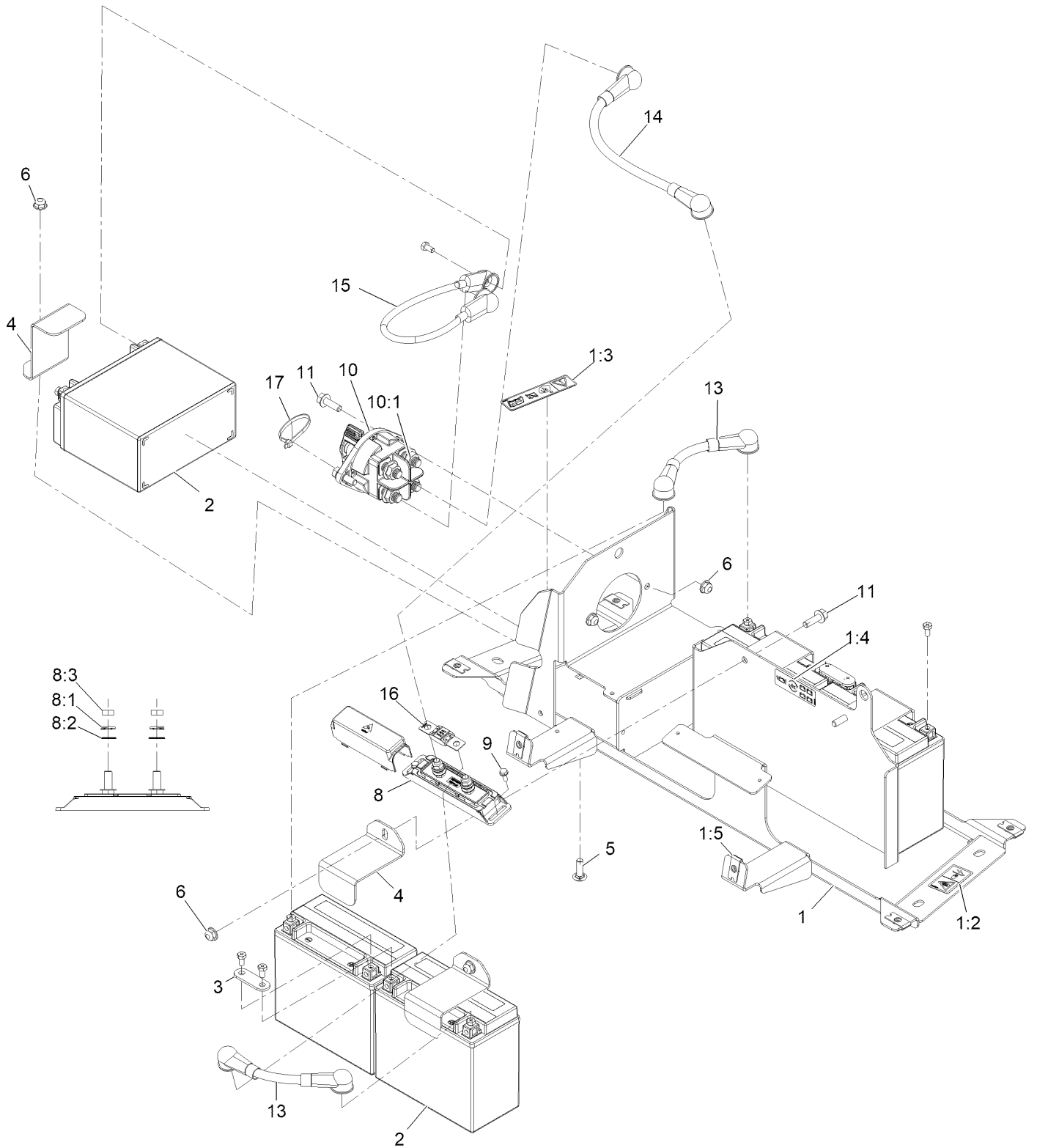
Harness Assembly No. 146-6418



Harness Assembly No. 146-6418 (continued)

<i>Ref.</i>	<i>Part Number</i>	<i>Qty.</i>	<i>Description</i>	<i>Ref.</i>	<i>Part Number</i>	<i>Qty.</i>	<i>Description</i>
1	32180-400	9	Clip-Tie, Fir Tree W/Tie, 5MM/.196" Hole	21	126-6157	1	Relay-Micro 280, Spdt
2	32180-282	4	Conn, Res, 120 Ohm	22	121-8868	1	Fuse-Mini Blade, 20 Amp
3	32180-030	3	Clip-Tie	23	121-8867	1	Fuse-Mini Blade, 15 Amp
13	3290-378	6	Tie-Cable	24	32181-013	1	Cover-Fuseblock, 24F, Gep
16	32181-024	1	Cover-2 Pin Connecor	26	100-4918	2	Diode
17	32180-156	1	Cap-Plug, 6 Way	27	32180-177	1	Clip-Mounting
18	121-8880	1	Fuse-Mini Blade, 10 Amp	28	32181-023	1	Bracket-Littelfuse.Pdm
19	32181-022	1	Cover-Littelfuse, Pdm 6W	29	70-1480	3	Relay
20	126-3991	2	Relay-Micro	30	147-8183	1	Ferrite, Snap-On

Battery Assembly



Battery Assembly (continued)

<i>Ref.</i>	<i>Part Number</i>	<i>Qty.</i>	<i>Description</i>	<i>Ref.</i>	<i>Part Number</i>	<i>Qty.</i>	<i>Description</i>
1	146-6628	1	ASM-Battery Support	8:1	3253-4	2	Washer-Lock 5/16
1:2	144-7008	1	Decal-Service, Shut-Off	8:2	3256-74	4	Washer-Flat
1:3	146-3693	1	Decal-Shock Hazard	8:3	33014-00	4	Nut-Hex M8-1.25
1:4	146-5916	1	Decal-Battery Replacement	9	32144-1	2	Screw-HWH #10-24 X 1/2 Taptite
1:5	110-3510	6	Nut-Retainer	10	122-0603	1	Switch-Disconnect
2	142-7345	5	Battery - Agm, 12V, 310 CCA	10:1	33006-00	1	Nut-HF
3	146-2661	2	Bar-Bus, 2 Pos	11	3234-29	4	Screw-HH Fig 5/16-18 X 1
4	146-6452-03	5	Holder-Battery	13	146-3619	2	Cable-Batt, Rd ASM
5	3230-22	1	Bolt-Carriage 5/16-18 X 1 Sp	14	146-3620	1	Cable-Batt, Rd ASM
6	119-4041	5	Nut-HF	15	146-3621	1	Cable-Batt, Rd ASM
8	145-4958	1	Holder-Fuse	16	122-2563	1	Fuse-150A
				17	3290-378	1	Tie-Cable

Attachments and Accessories

For 44460BOT — Proline AMI Commercial Walk Behind Mower

Product Name

Model/Part

Turf Striping Kit - 52 60 FMD..... 126-5812

Notes:

Notes:

Notes:



Count on it.