



Z147 Z Master[®]

With 44in SFS Side Discharge Mower

Model No. 74161 - 240001001 and up.

Parts Catalog

Ordering Replacement Parts

To order replacement parts, please supply the part number, the quantity, and the description of each part desired.

Understanding Reference Numbers

Each Identified part in an illustration has a reference number. The reference number for a part also appears in the parts list, along with other information about the part.

This catalog uses two special reference number formats, one to indicate parts in a service assembly and another to indicate the quantity of a given part in an illustration.

Service Assembly Reference Numbers

Parts in service assemblies have reference numbers in the form a:b. The a represents the reference number of the entire service assembly and the b represents a sequential number unique to each part within the service assembly.

For example, a wheel assembly might be identified by reference number 6, the tire by 6:1, the valve by 6:2, and the wheel by 6:3. When you order the assembly identified by reference number 6, you receive all parts identified by reference numbers 6:1, 6:2, and 6:3. However, you may also order any part individually. Reference numbers of this type appear in illustrations and in part lists.

Reference Numbers Indicating Quantity

In an illustration, if a reference number indicates more than one part, the reference number has the form nX y. The n represents the quantity of the part, the X is the multiplication symbol, and the y represents the reference number.

For example, in an illustration, the reference number 2X 37 means that two of the parts identified by reference number 37 are indicated.

Part Description Abbreviations

Part descriptions in this catalog may include the following abbreviations.

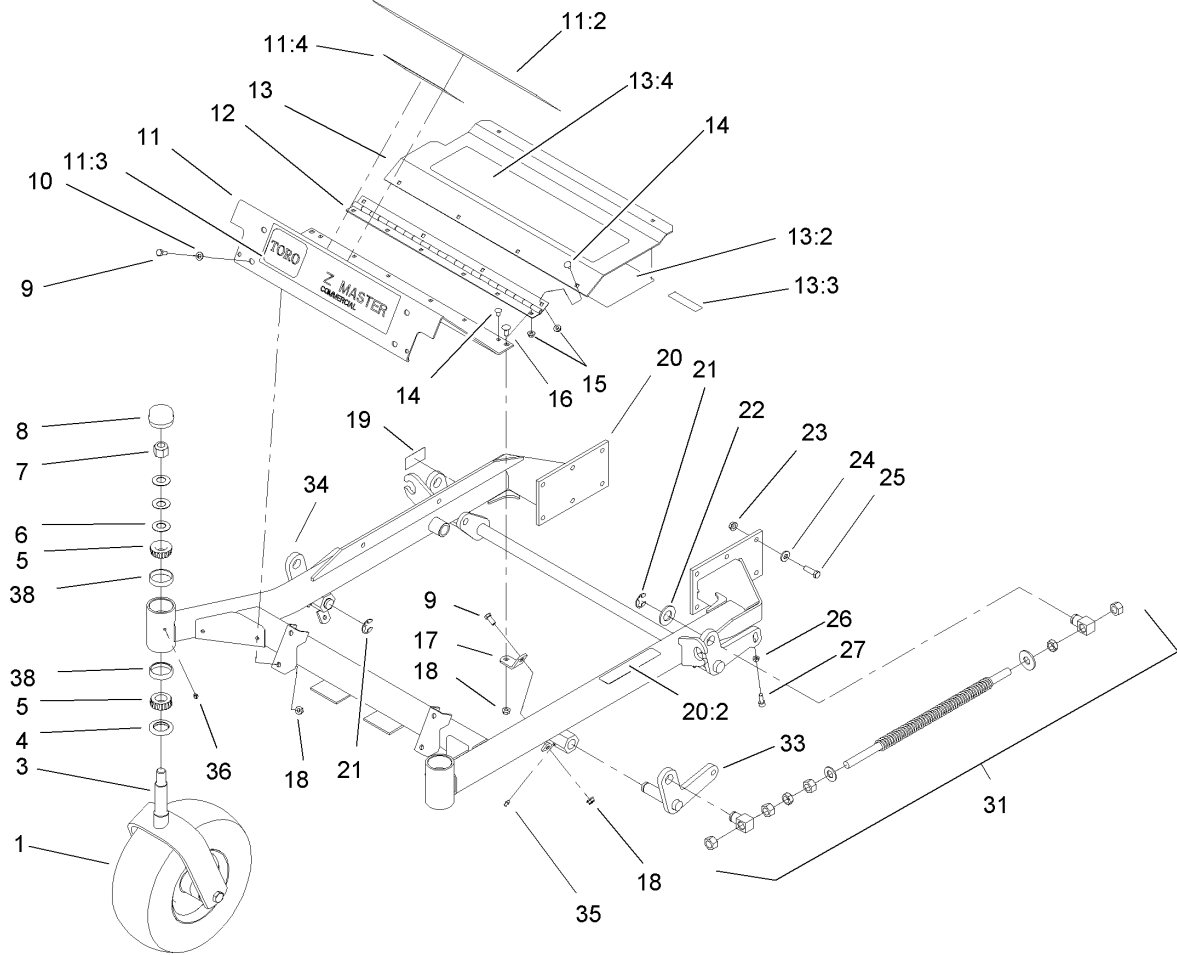
AR.	as required	HYD.	hydraulic
ASM.	assembly	INC.	incorporated
CARR.	carriage	LH.	left hand
DEG.	degrees	NI.	nylon insert
FH.	flat head	PPH.	phillips pan head
GA.	gauge	PTH.	phillips truss head
HF.	hex flange	PTO.	power take off
HH.	hex head	RH.	right hand
HHF.	hex head flange	SFH.	slotted fillister head
HHFTF.	hex head flange thread forming	SHH.	slotted hex head
HJ.	hex jam	SHWH.	slotted hex washer head
HLH.	hex lag head	SPH.	slotted pan head
HOC.	height-of-cut	SQH.	square head
HS.	hex	SRH.	slotted round head
HSBH.	hex socket button head	STD.	standard
HSFH.	hex socket flat head	TAP.	self tapping
HS.	hex socket head	TTH.	torx truss head
HWH.	hex washer head	WH.	wing head
HWHTF.	hex washer head thread forming		

Footnotes

- ❶ Not illustrated
- ❷ Not serviced separately

Contents

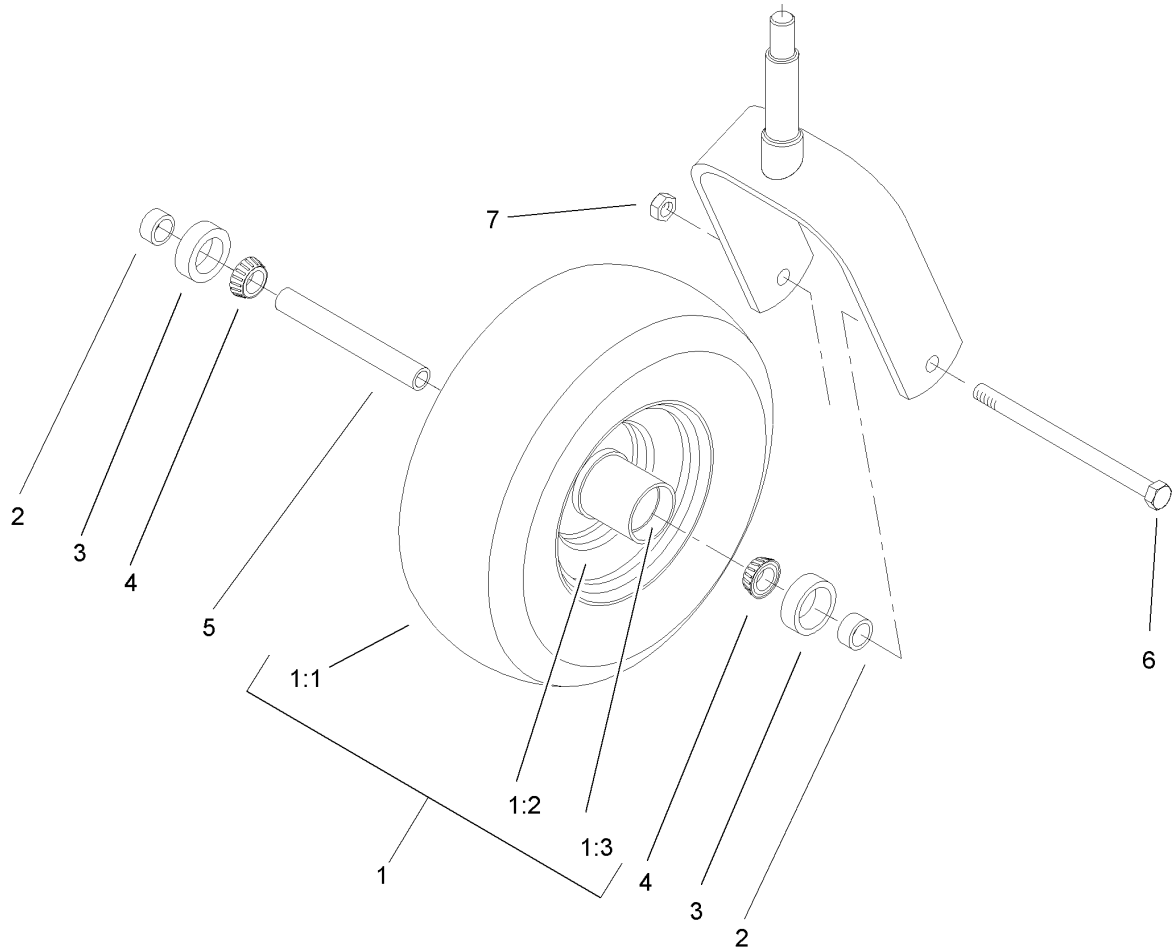
Description	Page	Description	Page
Front Frame Assembly 3	Deck Decal Assembly No. 106-5883 18
Caster Wheel Assembly No. 1-634662 4	Deck Spindle Assembly 19
Front Spring Assembly No. 103-1987 5	Idler, Pulley/Lift Strut and Chain Assembly 20
Height of Cut Assembly 6	Electrical System Assembly 21
Main Frame Assembly 7	Seat and Roll-Over-Protection-System Assembly 22
Fuel System Assembly 8	Seat Assembly No. 107-1867 23
Parking Brake System Assembly 9	Roll-Over Protection System Assembly No. 107-3066 24
Steering Control Assembly 10		
Hydraulic System Assembly 11		
Hydraulic Pump Assembly No. 103-1942 13		
Pump Idler and Belt Assembly 14		
Engine, Clutch and Muffler Assembly 15		
Deck and Wheel Gage Assembly 16		
Deck and Deflector Assembly No. 106-5884 17		



Front Frame Assembly

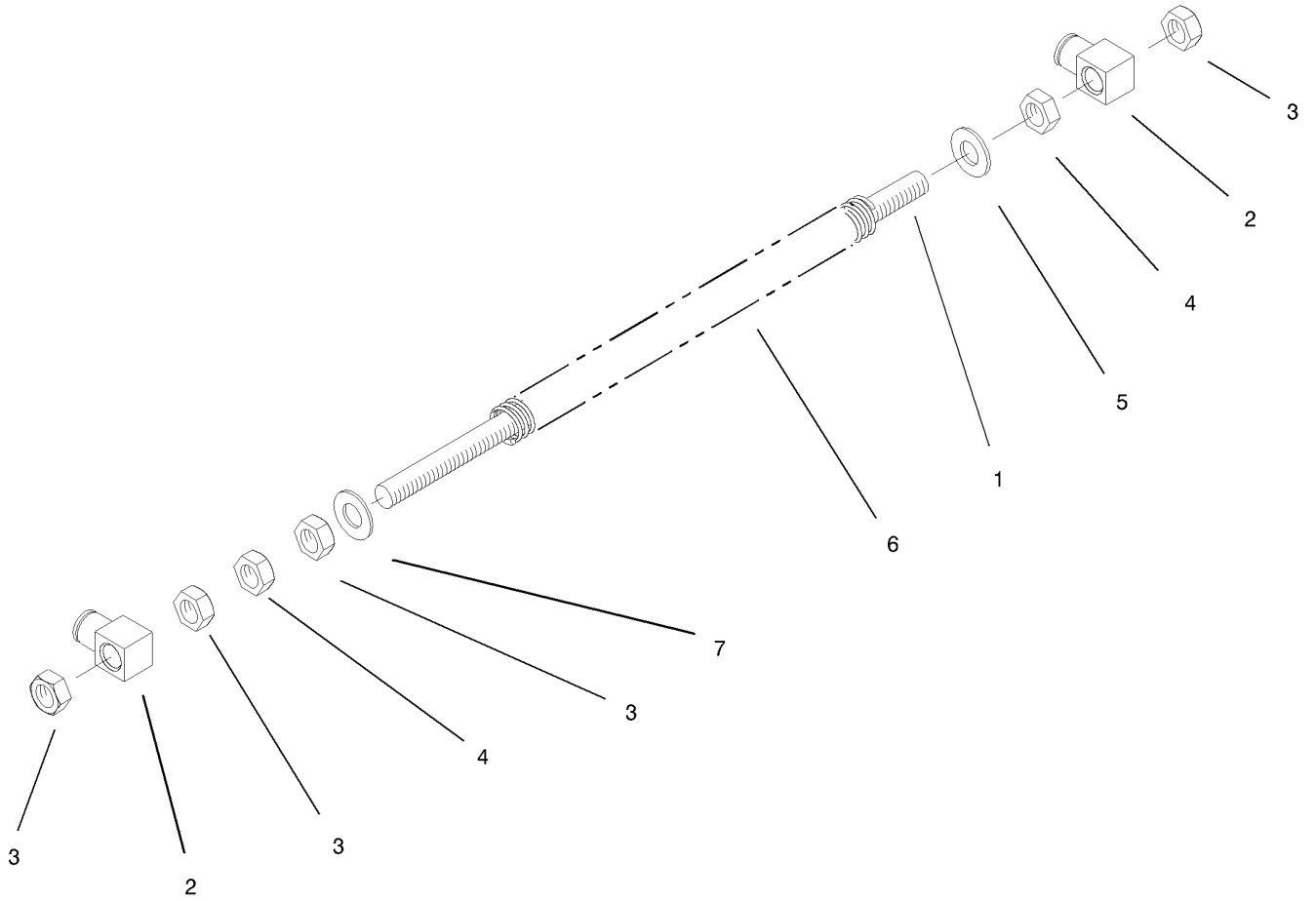
Ref	Part No.	Qty.	Description
1	1-634662	2	Caster Wheel ASM
3	1-632511-01	2	Caster
4	1-543511	2	Seal-Grease
5	254-94	4	Bearing-Cone, Tapered
6	1-633508	6	Washer-Bellville
7	3296-51	2	Nut-Lock, NI
8	1-543513	2	Cap-Grease
9	322-3	6	Screw-HH
10	3256-23	4	Washer-Flat
11	107-2107	1	Floorpan ASM
11:2	1-633553	1	Pad-Antiskid
11:3	106-7451	1	Decal
11:4	107-2112	1	Decal-Warning
12	1-653049	1	Hinge-Floorpan
13	99-3930	1	Footrest ASM
13:2	99-3924	1	Decal-Service
13:3	98-5954	1	Decal-Missing, Cover
13:4	1-633553	1	Pad-Antiskid
14	3229-10	10	Screw-CARR
15	32128-33	10	Nut-HF
16	3230-1	2	Bolt-CARR
17	99-3870-01	2	Bracket-Floorpan
18	32128-20	8	Nut-HF
19	105-2625	1	Decal-Std, Safety

Ref	Part No.	Qty.	Description
20	107-1783	1	Front Frame ASM
20:2	1-633818	1	Decal-Warning
21	32151-103	6	Ring-Snap
22	3256-29	6	Washer-Flat
23	3290-357	12	Nut-HHF
24	98-5975	12	Washer-Belleville
25	323-7	12	Screw-HH
26	3218-2	2	Nut-Jam
27	3274-18	2	Screw-HSH
31	103-1987	2	Front Spring ASM
33	107-1791-01	1	LH Front Deck Lift ASM
34	107-1792-01	1	RH Front Deck Lift ASM
35	302-19	4	Fitting-Grease
36	1-811010	2	Plug
38	254-72	4	Bearing-Cup, Tapered



Caster Wheel Assembly No. 1-634662

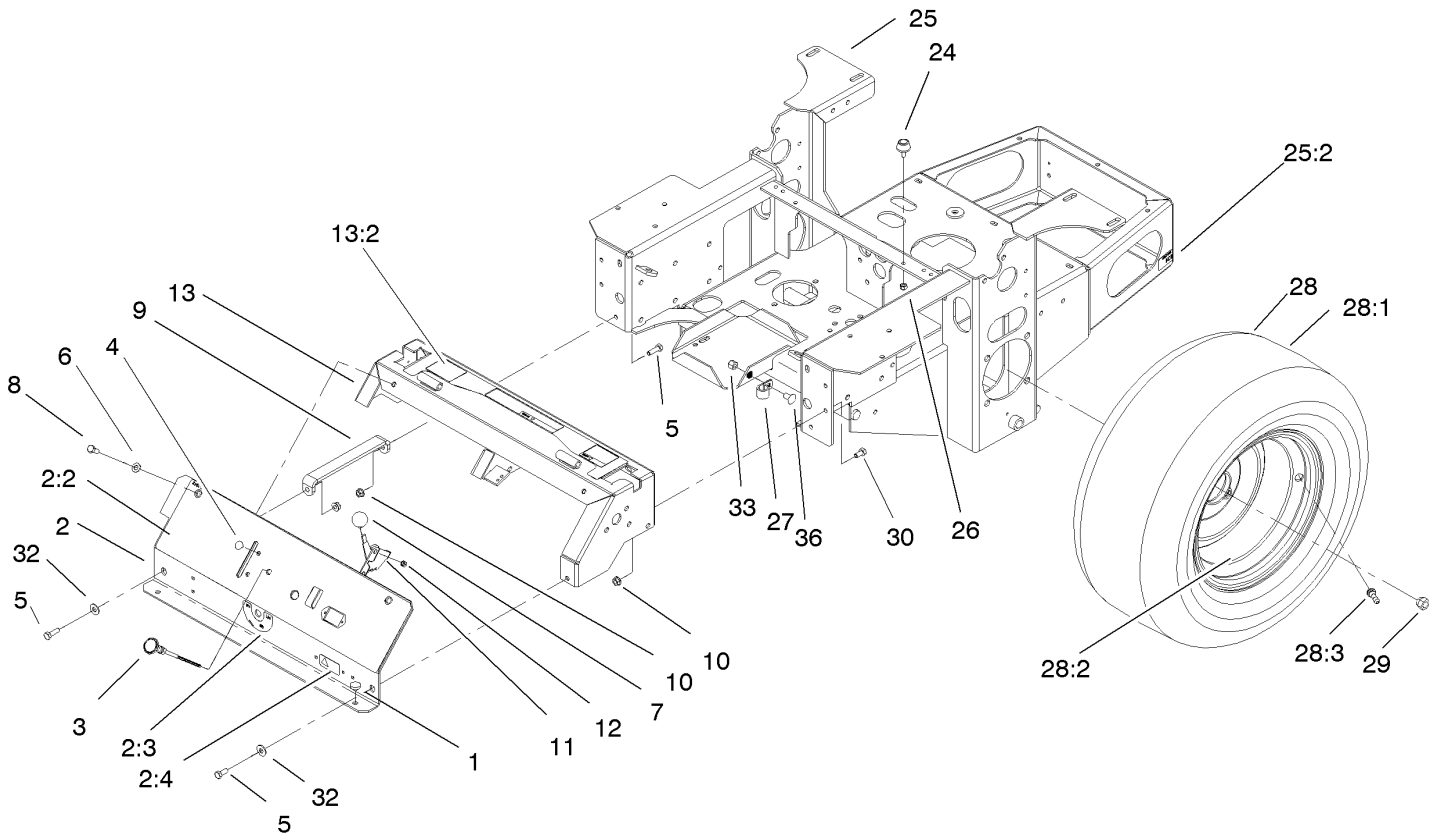
Ref	Part No.	Qty.	Description	
1	1-633582	1	Wheel And Tire ASM	
1:1	1-633002	1	Tire	
1:2	1-633583	1	Wheel	
1:3	1-633584	2	Bearing-Cup	
2	1-633581	2	Spacer-Bearing	
3	1-633580	2	Seal-Bearing	
4	1-633585	2	Bearing-Cone, Taper	
5	1-633579	1	Spacer-Caster, Front	
6	325-36	1	Screw-HH	
7	3296-45	1	Nut-Lock, NI	



Front Spring Assembly No. 103-1987

Ref	Part No.	Qty.	Description
1	1-653011	1	Rod-Lift, Deck
2	1-633441	2	Swivel-Deck Mount, Rear
3	3217-11	4	Nut-Hex
4	3218-6	2	Nut-Jam
5	1-805517	1	Washer
6	1-653009	1	Spring-Compression
7	3256-27	1	Washer-Flat

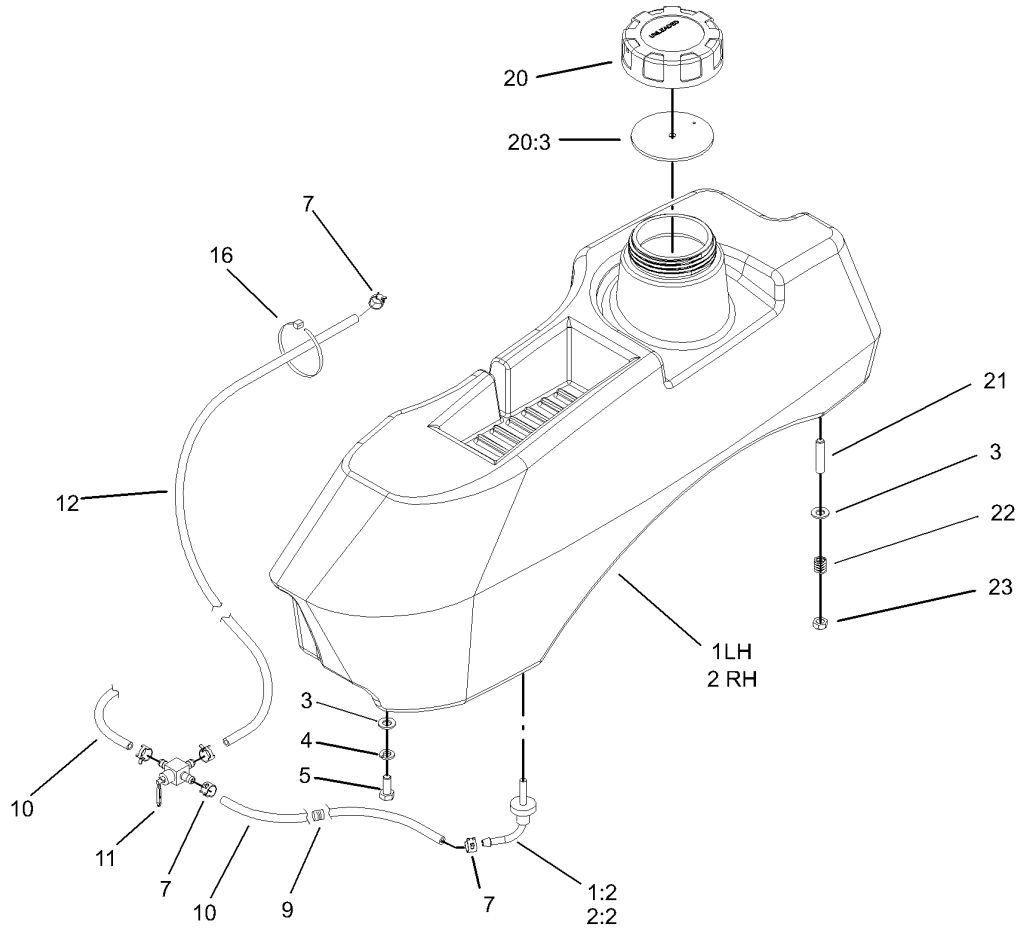
--	--	--	--



Main Frame Assembly

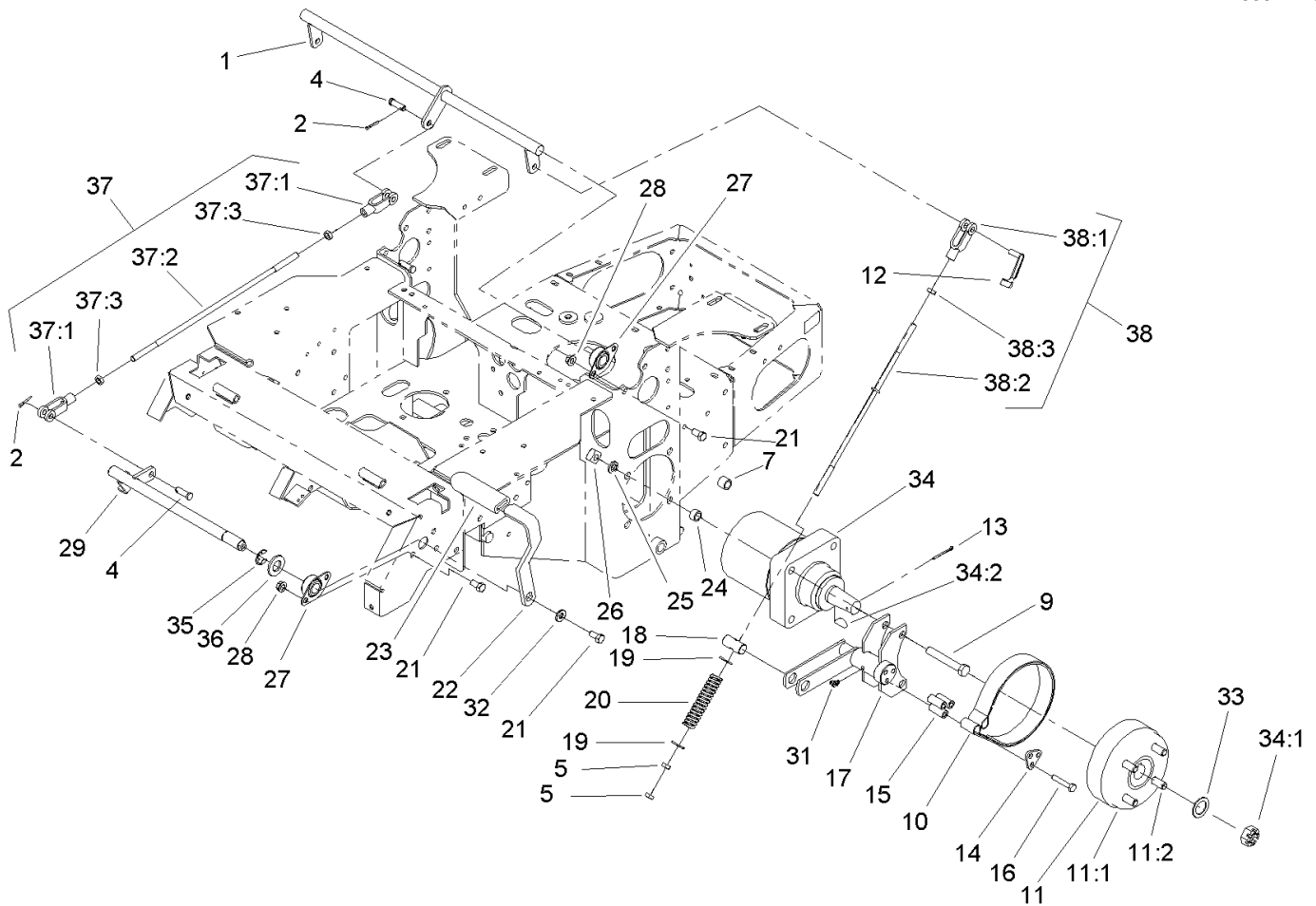
Ref	Part No.	Qty.	Description
1	1-513658	2	Bumper
2	106-6589	1	Console ASM
2:2	106-6586	1	Decal-Panel, Control
2:3	103-0262	1	Decal-Valve, Fuel
2:4	98-4387	1	Decal-Protection, Ear
3	1-603336	1	Control-Choke
4	1-807513	2	Bolt-CARR
5	322-5	2	Screw-HH
6	3256-23	2	Washer-Flat
7	1-513592	1	Knob-Ball
8	322-3	3	Screw-HH
9	1-653089-03	1	Bracket
10	32128-20	12	Nut-HF
11	1-633696	1	Cable-Throttle
12	3296-2	2	Nut-Lock
13	105-6123	1	Console Frame ASM
13:2	103-1997	1	Decal-Console, Top
24	1-523420	2	Bumper
25	107-2117	1	Main Frame ASM
25:2	65-2690	2	Decal-Surface, Hot
26	3296-42	2	Nut-Lock, NI
27	1-633396	1	Clip-Loom
28	1-653010	2	Wheel And Tire ASM
28:1	1-653160	1	Tire

Ref	Part No.	Qty.	Description
28:2	1-653158	1	Wheel
28:3	232-27	1	Stem-Valve
29	242-50	8	Nut-Lug
30	322-2	6	Screw-HH
32	3256-3	2	Washer-Flat
33	3296-39	1	Nut-Lock, NI
36	3231-21	1	Screw-CARR



Fuel System Assembly

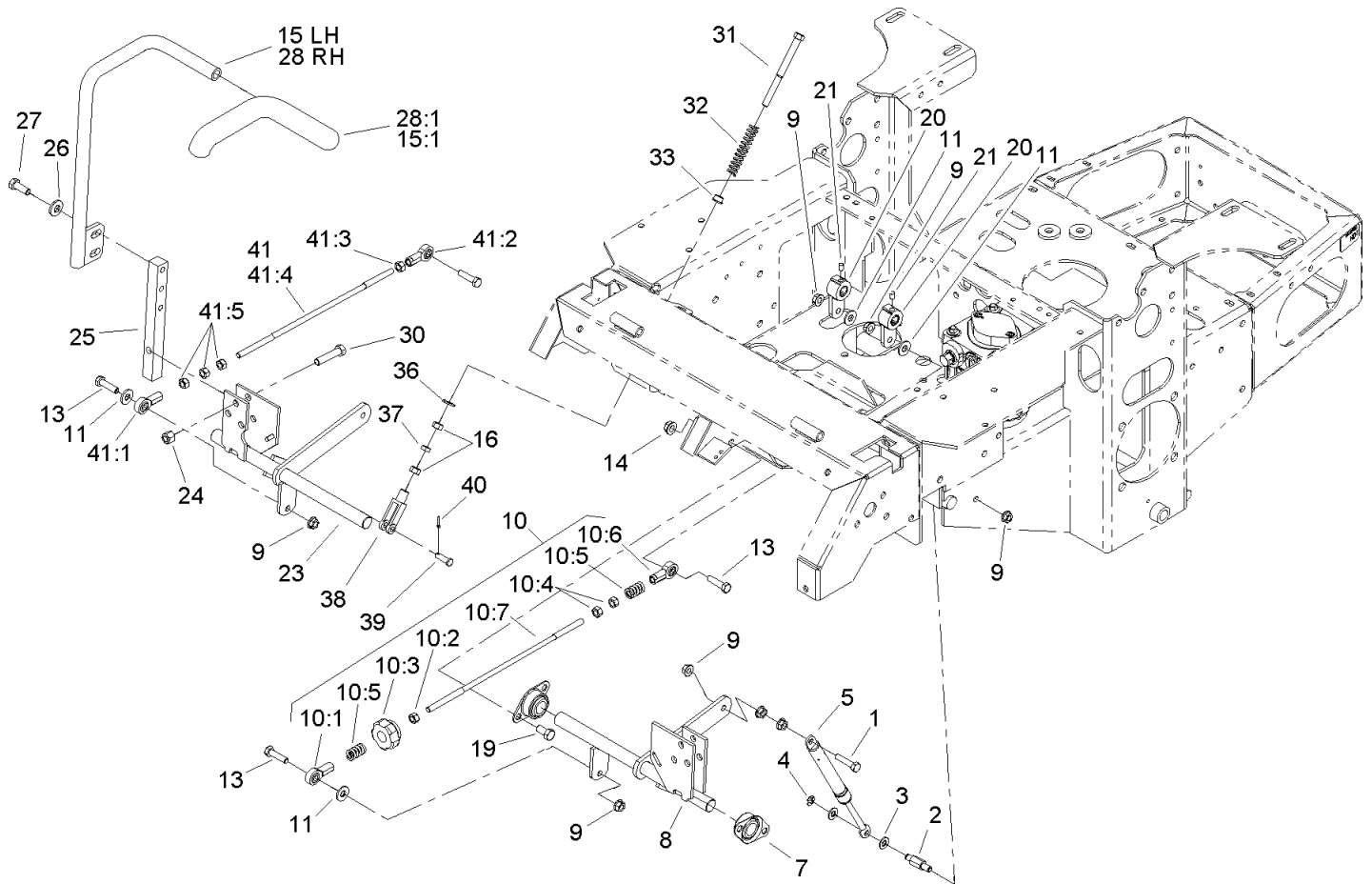
Ref	Part No.	Qty.	Description
1	106-9976	1	LH Fuel Tank ASM
1:2	103-2605	1	Fitting-Fuel, Bulkhead
2	106-9975	1	RH Fuel Tank ASM
2:2	103-2605	1	Fitting-Fuel, Bulkhead
3	3256-23	8	Washer-Flat
4	1-805005	4	Washer-Lock
5	322-3	4	Screw-HH
7	1-303077	6	Clamp
9	1-543296	2	Grommet
10	1-543526	2	Hose-Fuel
11	1-633347	1	Valve-Fuel
12	103-0216	1	Hose-Fuel
16	1-303335	1	Tie-Plastic
20	88-3980	2	Gas Cap ASM
20:3	88-4010	1	Gasket-Cap, Gas
21	1-633023	4	Stud
22	1-633349	4	Spring-Tank, Fuel
23	3296-47	4	Nut-Lock, NI



Parking Brake System Assembly

Ref	Part No.	Qty.	Description
1	1-652073-03	1	Crank-Brake, Park
2	3272-10	2	Pin-Cotter
4	1-808285	2	Pin-Clevis
5	3219-3	4	Nut-HH
7	1-653068	4	Spacer-Wheel
9	325-13	8	Screw-HH
10	103-0355	2	Band-Brake
11	103-0590	2	Hub And Wheel ASM
11:1	103-0589	1	Wheel Hub ASM
11:2	1-633926	4	Stud-Wheel
12	103-2399	2	Pin-Spring, Clevis
13	1-806800	2	Pin-Cotter
14	103-0374	2	Retainer-Band, Brake
15	103-0384	6	Spacer
16	322-9	6	Screw-HH
17	103-0352-03	2	Bracket-Brake
18	1-633144	2	Pin-Trunion
19	3256-4	4	Washer-Flat
20	1-633454	2	Spring-Brake
21	323-4	9	Screw-HH
22	1-653074-03	1	Handle-Brake, Park
23	1-633268	1	Grip-Lever, Brake
24	1-653069	4	Spacer-Wheel
25	3253-7	8	Washer-Lock

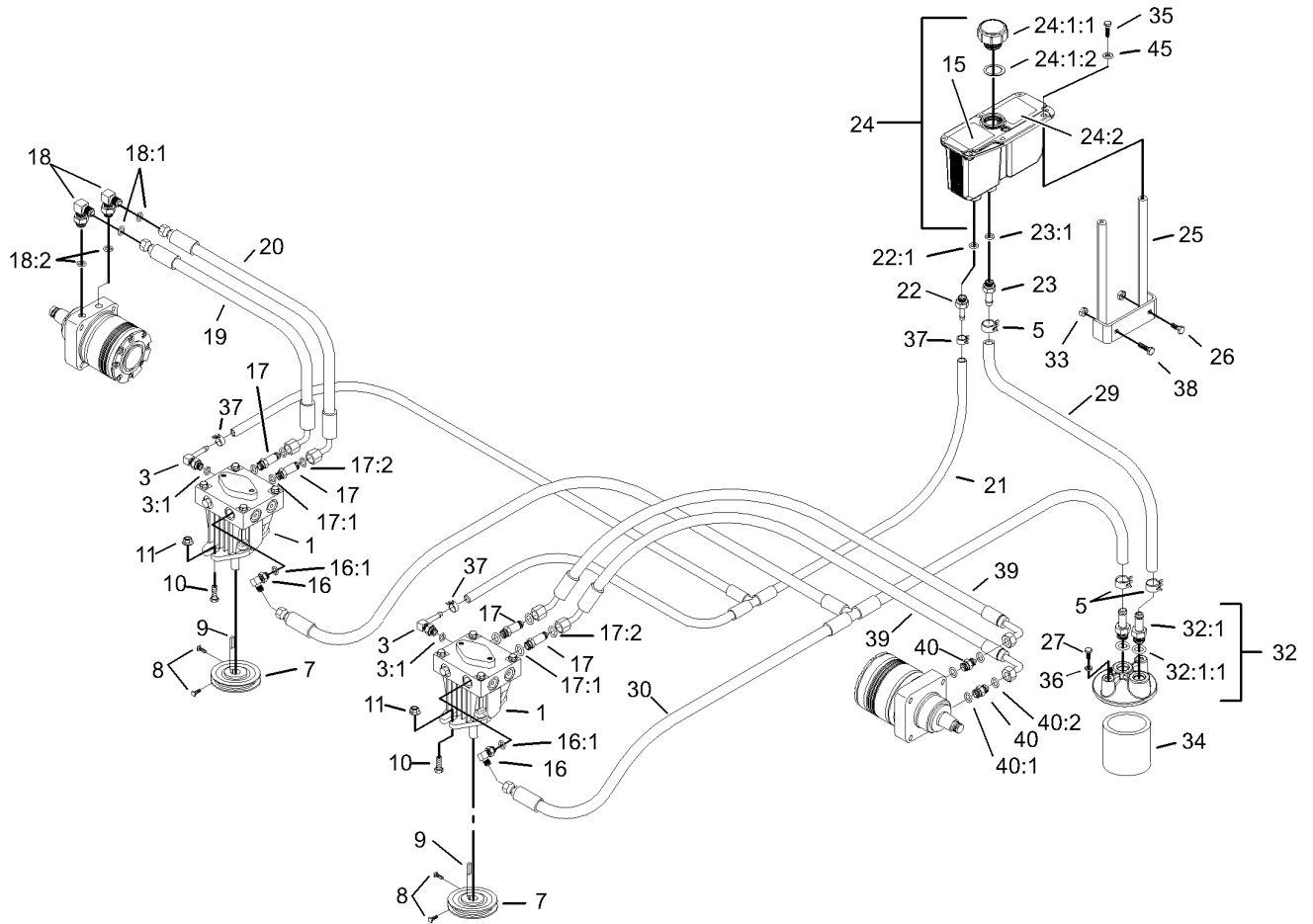
Ref	Part No.	Qty.	Description
26	103-0131	8	Nut-Square
27	1-633102	4	Bearing-Flange, Side
28	3290-357	8	Nut-HHF
29	103-3116	1	Shaft-Brake, Parking
31	1481	2	Fitting-Grease
32	98-5975	1	Washer-Belleville
33	1-523157	2	Washer-Spacer
34	1-523328	2	Motor-Wheel
34:1	1-809036	1	Nut-HH
34:2	3257-42	1	Key-Woodruff
●34:99	1-000139	1	Bearing Kit
●34:99	103-2748	1	Drive Link Kit
●34:99	1-000099	1	Seal Kit
35	32151-48	1	E-Ring
36	3256-28	1	Washer-Flat
37	103-4328	1	Brake Rod ASM
37:1	1-633131	2	Yoke-Linkage, Brake
37:2	1-653061	1	Linkage-Handle, Brake
37:3	3219-3	2	Nut-HH
38	103-4329	2	Brake Rod ASM
38:1	1-633131	1	Yoke-Linkage, Brake
38:2	103-0356	1	Rod-Brake
38:3	3219-3	1	Nut-HH



Steering Control Assembly

Ref	Part No.	Qty.	Description
1	1-403180	2	Screw-HH
2	103-4101	2	Pin-Damper
3	3256-23	4	Washer-Flat
4	32120-35	2	E-Ring
5	103-4079	2	Damper-Control, Motion
7	1-633102	4	Bearing-Flange, Side
8	103-4774	1	Control-Motion, LH
9	32128-20	12	Nut-HF
10	103-4326	1	Tracking Rod ASM
10:1	1-543017	1	Balljoint-RH
10:2	3219-2	1	Nut-Hex
10:3	103-3060	1	Knob-Tracking
10:4	1-804524	2	Nut
10:5	1-323245	2	Spring-Compression
10:6	1-633152	1	Balljoint-Thread, LH
10:7	103-3066	1	Link-Rod, Tracking
11	3256-3	4	Washer-Flat
13	322-6	4	Screw-HH
14	3290-357	8	Nut-HHF
15	103-0631	1	LH Lever ASM
15:1	1-633257	1	Grip-Control, Motion
16	3219-2	4	Nut-Hex
19	323-4	8	Screw-HH
20	103-3717	2	Arm-Control

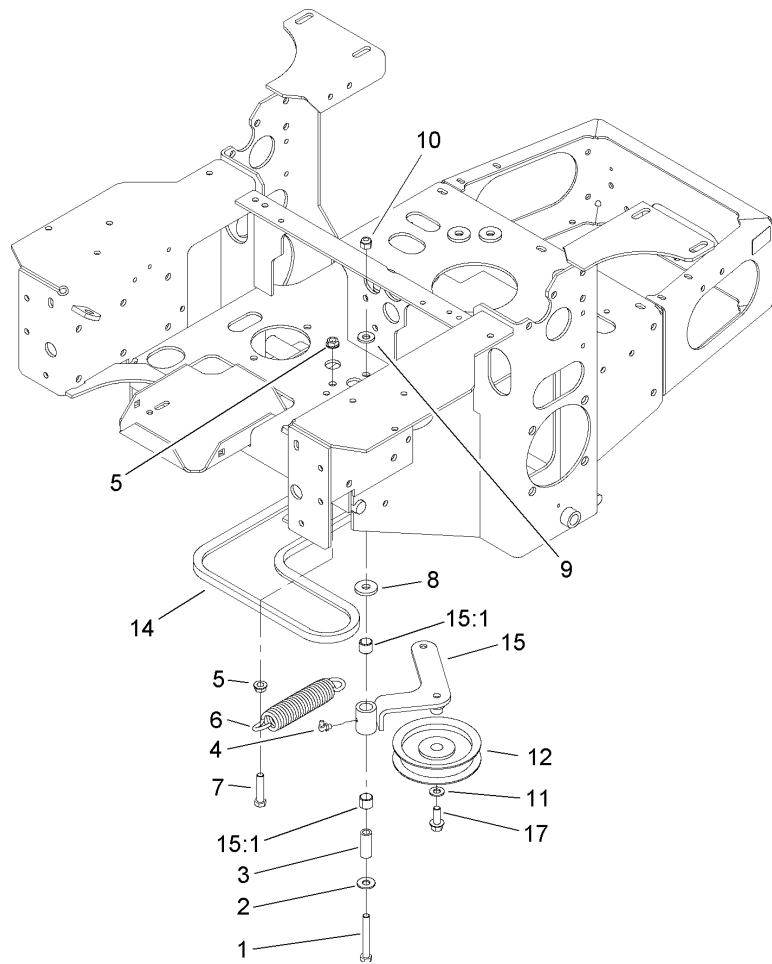
Ref	Part No.	Qty.	Description
21	1-803022	2	Screw-Set
23	103-4773	1	Control-Motion, RH
24	3296-39	6	Nut-Lock, NI
25	103-0407	2	Arm-Shaft, Control
26	98-5975	4	Washer-Belleville
27	323-6	4	Screw-HH
28	103-0632	1	RH Lever ASM
28:1	1-633257	1	Grip-Control, Motion
30	323-9	6	Screw-HH
31	1-603737	2	Bolt-Return, Neutral
32	1-603807	2	Spring-Return, Neutral
33	1-603735	2	Bushing-Flanged
36	3256-2	2	Washer-Flat
37	3220-2	2	Nut
38	1-303105	2	Yoke-Adjustable
39	1-808280	2	Pin-Clevis
40	3272-5	2	Pin-Cotter
41	103-4327	1	Tracking ASM
41:1	1-543017	1	Balljoint-RH
41:2	1-633152	1	Balljoint-Thread, LH
41:3	1-804524	1	Nut
41:4	103-3066	1	Link-Rod, Tracking
41:5	3219-2	3	Nut-Hex



Hydraulic System Assembly

Ref	Part No.	Qty.	Description
1	103-1942	2	Pump-HYD
3	103-1799	2	Elbow-90 DEG
3:1	237-42	1	O-Ring
5	103-1988	3	Clamp-Hose
7	1-653156	2	Pulley
8	1-803050	4	Screw-Set
9	1-807272	2	Key
10	323-7	4	Screw-HH
11	3290-357	4	Nut-HHF
15	103-2644	1	Decal-Exhaust
16	103-1802	2	Fitting-Hyd, 90 DEG
16:1	237-42	1	O-Ring
17	103-1940	4	Adapter-Hyd, Straight
17:1	237-79	1	O-Ring
17:2	1-603992	1	O-Ring
18	1-633605	2	Fitting-Hyd, 90 DEG
18:1	1-603992	1	O-Ring
18:2	237-80	1	O-Ring
19	1-653186	1	Hose-Front
20	1-653187	1	Hose-Rh, Rear
21	103-2357	1	HYD Hose ASM
22	103-1801	1	Adapter-Straight
22:1	237-42	1	O-Ring
23	103-1912	1	Adapter-Straight

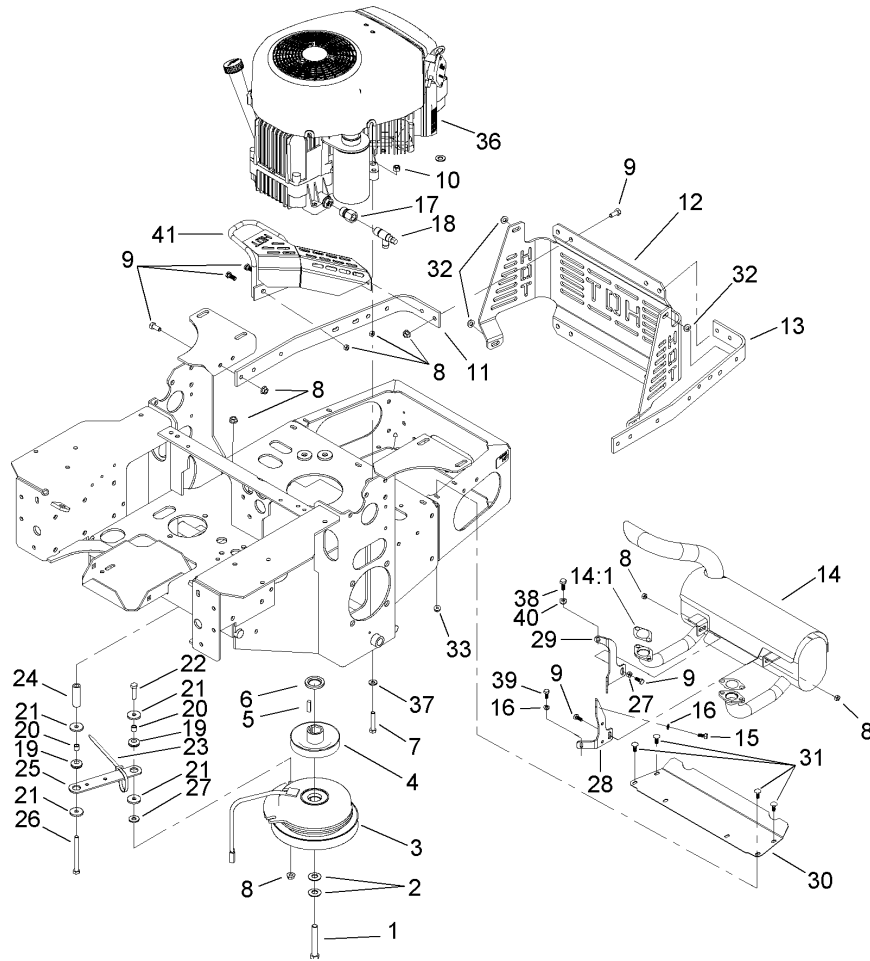
Ref	Part No.	Qty.	Description
23:1	237-42	1	O-Ring
24	103-1947	1	HYD Reservoir ASM
24:1		1	Reservoir-HYD
24:1:1	103-1948	1	Cap-Reservoir, HYD
24:1:2	103-1949	1	Gasket-Cap
24:2	1-523552	1	Decal-Tank, HYD
25	103-3071-03	1	Stand-Reservoir
26	322-3	1	Screw-HH
27	321-3	2	Screw-HH
29	103-3077	1	HYD Hose ASM
30	103-2930	1	HYD Hose ASM
32	103-2889	1	Filter Head ASM
32:1	103-1912	2	Adapter-Straight
32:1:1	237-42	1	O-Ring
33	32128-20	2	Nut-HF
34	1-633750	1	Filter-HYD
34	1-633752	1	Filter-Hyd, Winter
35	321-6	2	Screw-HH
36	1-805004	2	Washer-Lock
37	103-1716	3	Clamp-Hose
38	322-5	1	Screw-HH
39	103-3809	2	Hose-LH
40	1-603991	2	Fitting-Straight
40:1	237-80	1	O-Ring



Pump Idler and Belt Assembly

Ref	Part No.	Qty.	Description
1	323-13	1	Screw-HH
2	3256-4	1	Washer-Flat
3	1-603044	1	Bushing
4	302-40	1	Fitting-Grease
5	3290-357	2	Nut-HHF
6	103-4480	1	Spring-Extension
7	323-9	2	Screw-HH
8	63-8410	1	Washer
9	98-5975	1	Washer-Belleville
10	3296-39	1	Nut-Lock, NI
11	3256-24	1	Washer-Flat
12	1-603843	1	Pulley-Idler
14	107-3960	1	Belt
15	103-4482	1	Idler Arm ASM
15:1	103-4681	2	Sleeve-Bearing
17	3234-11	1	Screw-HHF

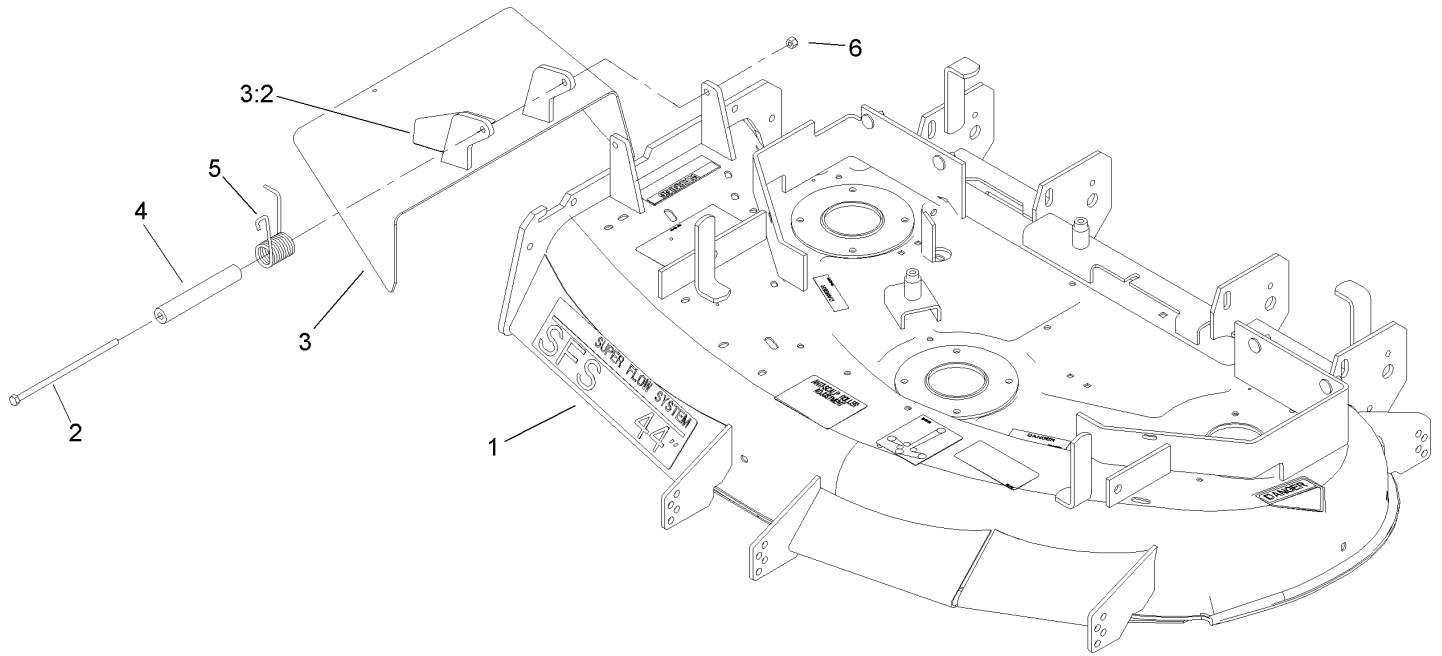
--	--	--	--



Engine, Clutch and Muffler Assembly

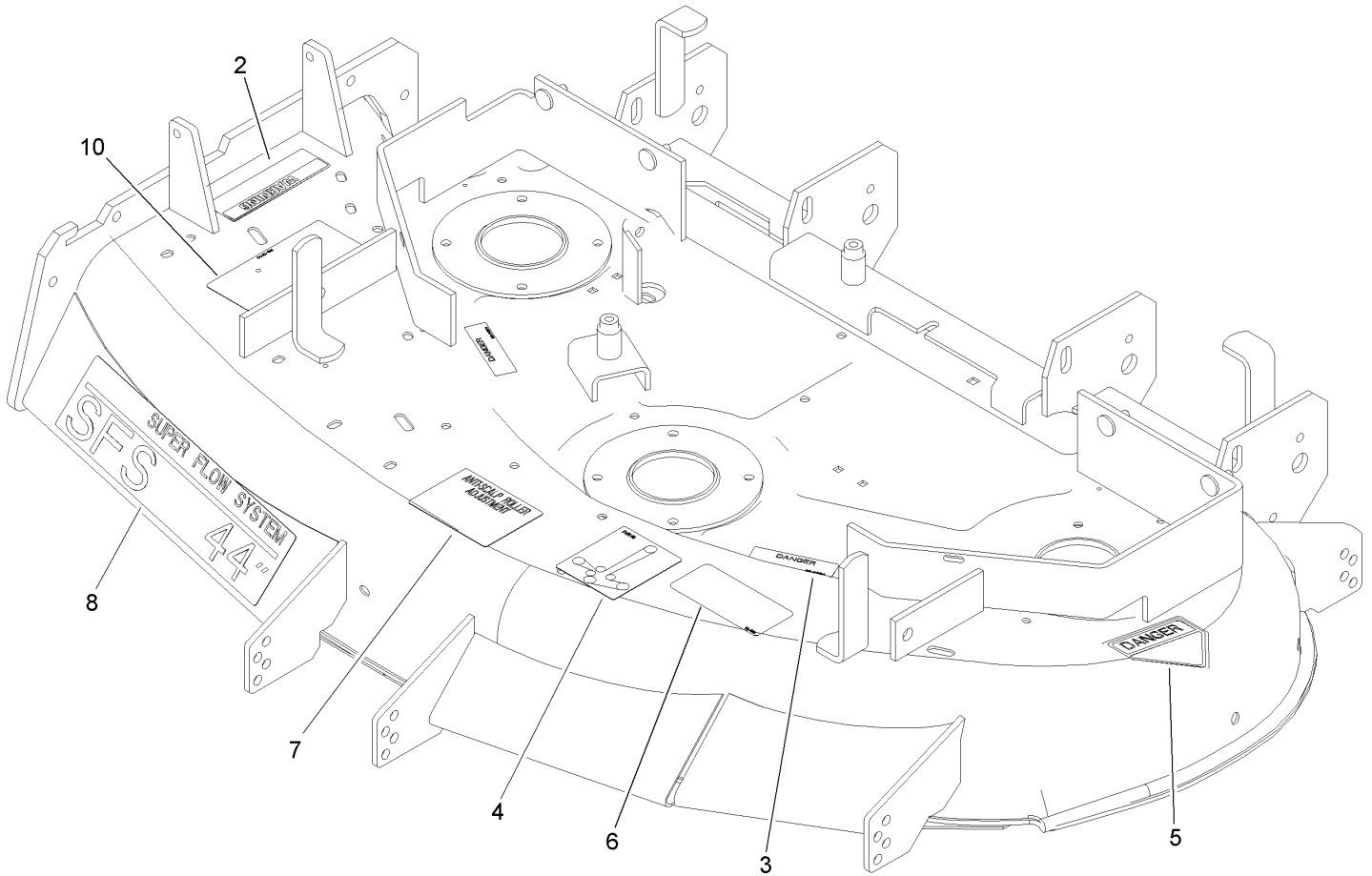
Ref	Part No.	Qty.	Description
1	3212-12	1	Screw-HH
2	1-603610	2	Washer-Spring
3	103-0690	1	Clutch
4	103-3913	1	Sheave W/ Hub
5	1-807259	1	Key
6	103-2308	1	Spacer-Crankshaft
7	322-9	4	Screw-HH
8	32128-20	29	Nut-HF
9	322-3	23	Screw-HH
10	3296-29	4	Nut-Lock, NI
11	103-3078-03	1	Strap-Guard, RH Engine
12	103-3219-03	1	Guard-Rear
13	103-3164-03	1	Strap-Guard, LH Engine
14	103-4483	1	Muffler Kit
14:1	1-653290	2	Gasket
15	33113-025	1	Screw-HH
16	1-805004	3	Washer-Lock
17	103-1966	1	Adapter
18	103-1965	1	Valve-Drain, Oil
19	1-633630	2	Grommet-Brake
20	1-633545	2	Spacer
21	1-613235	4	Washer
22	322-6	1	Screw-HH
23	1-303335	2	Tie-Plastic

Ref	Part No.	Qty.	Description
24	103-2614	1	Spacer
25	1-633543-03	1	Strap-Clutch, Brake
26	322-22	1	Screw-HH
27	3256-3	3	Washer-Flat
28	103-4477-03	1	Bracket-Muffler, LH
29	103-4478-03	1	Bracket-Muffler, RH
30	103-2740-03	1	Deflector-Short
31	3229-10	4	Screw-CARR
32	3256-23	4	Washer-Flat
33	32128-33	4	Nut-HF
36		1	Engine-Kawasaki, Fh541v-As26
37	1-303334	4	Washer-Spring
38	33114-020	1	Screw-HH
39	33113-016	2	Screw-HH
40	1-805005	1	Washer-Lock
41	103-3218-03	1	Guard-Tailpipe



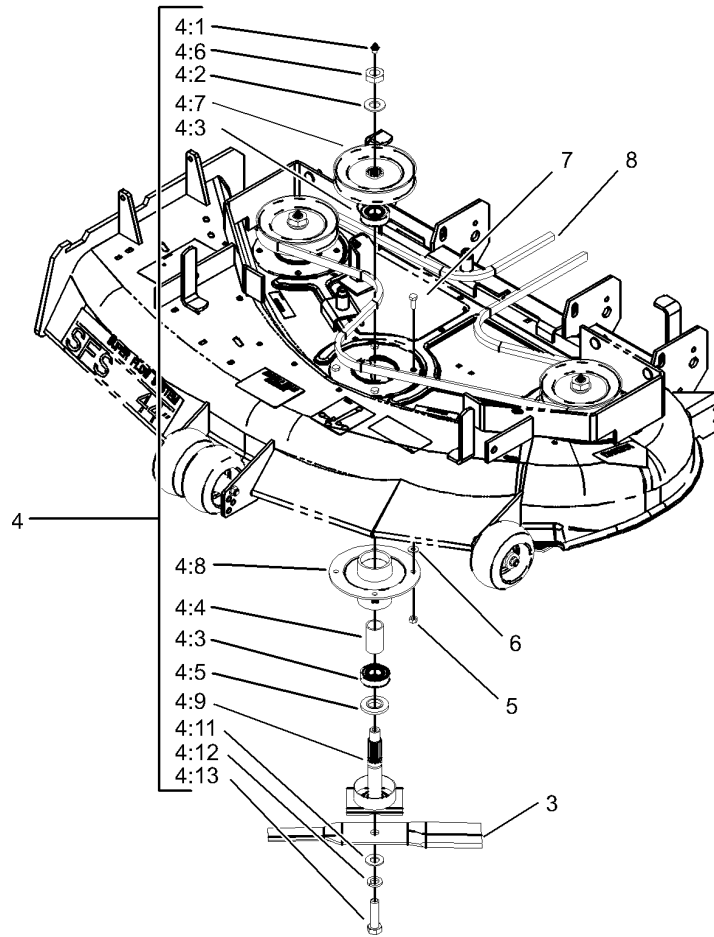
Deck and Deflector Assembly No. 106-5884

Ref	Part No.	Qty.	Description			
1	106-5883	1	Deck Decal ASM			
2	322-50	1	Screw-HH			
3	105-4625	1	Deflector ASM			
3:2	93-1122	1	Decal-Danger			
4	105-4622	1	Spacer			
5	104-8554	1	Spring-Torsion			
6	3296-29	1	Nut-Lock, NI			



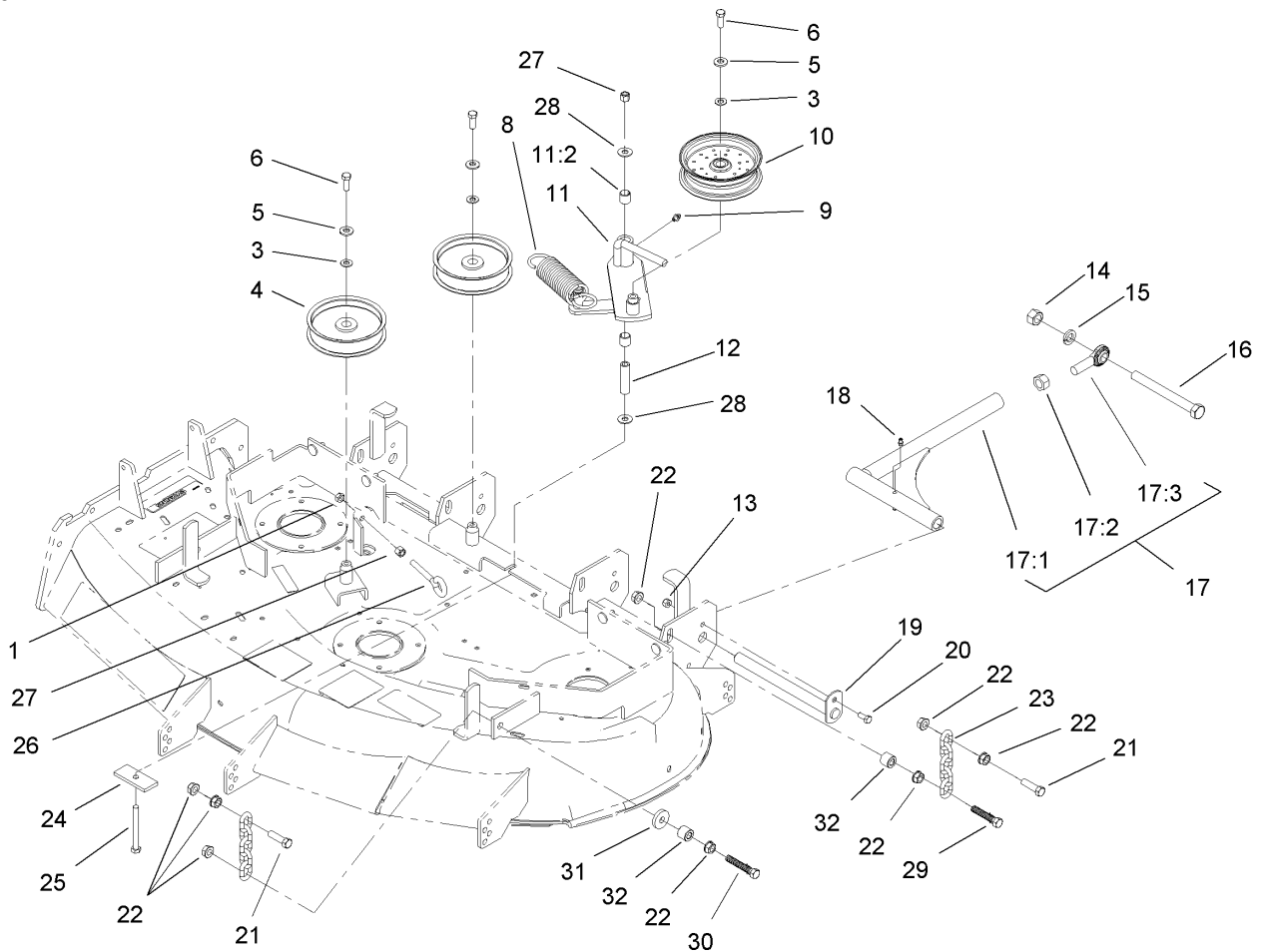
Deck Decal Assembly No. 106-5883

Ref	Part No.	Qty.	Description				
2	104-8569	1	Decal-Warning				
3	98-5954	3	Decal-Missing, Cover				
4	99-3943	1	Decal-Routing, Belt				
5	43-8480	1	Decal-Danger				
6	93-7818	1	Decal-Torque, Blade Bolt				
7	98-3798	1	Decal-Wheel, Gage				
8	106-0704	1	Decal				
10	66-1340	1	Decal-Danger				



Deck Spindle Assembly

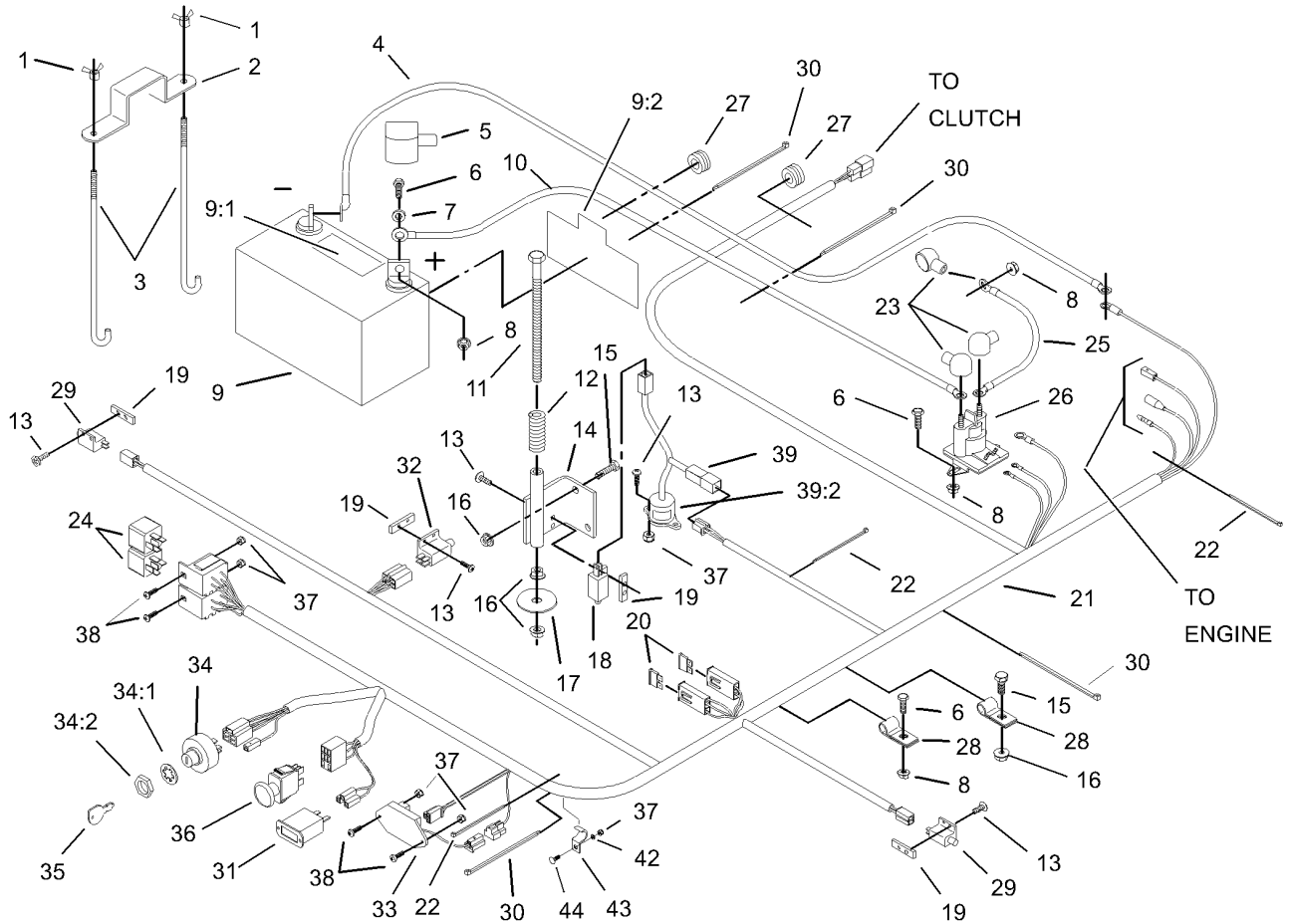
Ref	Part No.	Qty.	Description				
3	54-0010	3	Blade				
4	100-3977	3	Spindle Housing ASM				
4:1	302-2	1	Fitting-Grease				
4:2	7-4150	1	Washer				
4:3	251-257	2	Bearing-Ball				
4:4	67-7580	1	Spacer-Bearing				
4:5	67-7570	1	Spacer-Spindle				
4:6	32146-20	1	Nut-Jam				
4:7	100-3975	1	Pulley And Hub ASM				
4:8	67-7590	1	Housing-Spindle				
4:9	100-3974	1	Spindle Shaft ASM				
4:11	3256-27	1	Washer-Flat				
4:12	3253-8	1	Washer-Lock				
4:13	51-4060	1	Screw-Blade				
5	32152-1	12	Nut-Lock, NI				
6	3256-2	4	Washer-Flat				
7	322-4	12	Screw-HH				
8	98-3780	1	V-Belt-Drive				



Idler, Pulley/Lift Strut and Chain Assembly

Ref	Part No.	Qty.	Description
1	3217-7	1	Nut-Hex
3	3256-24	3	Washer-Flat
4	1-613098	2	Pulley-Idler
5	98-5975	3	Washer-Belleville
6	323-6	3	Screw-HH
8	103-3330	1	Spring-Extension
9	302-40	1	Fitting-Grease
10	99-8912	1	Pulley-Idler, Flat
11	99-8914	1	Idler Arm ASM
11:2	1-513034	2	Sleeve-Bearing
12	1-603384	1	Bushing-Pivot, Idler
13	3296-29	2	Nut-Lock, NI
14	3217-11	2	Nut-Hex
15	3253-8	2	Washer-Lock
16	1-800344	2	Screw
17	103-1081	2	Strut ASM
17:1	103-1072-01	1	Strut
17:2	3219-6	1	Nut-Hex
17:3	1-633029	1	Balljoint-Spherical
18	302-19	4	Fitting-Grease
19	1-632199-01	2	Pin-Strut
20	322-3	2	Screw-HH
21	103-1898	8	Screw-HH
22	32128-37	16	Nut-HF

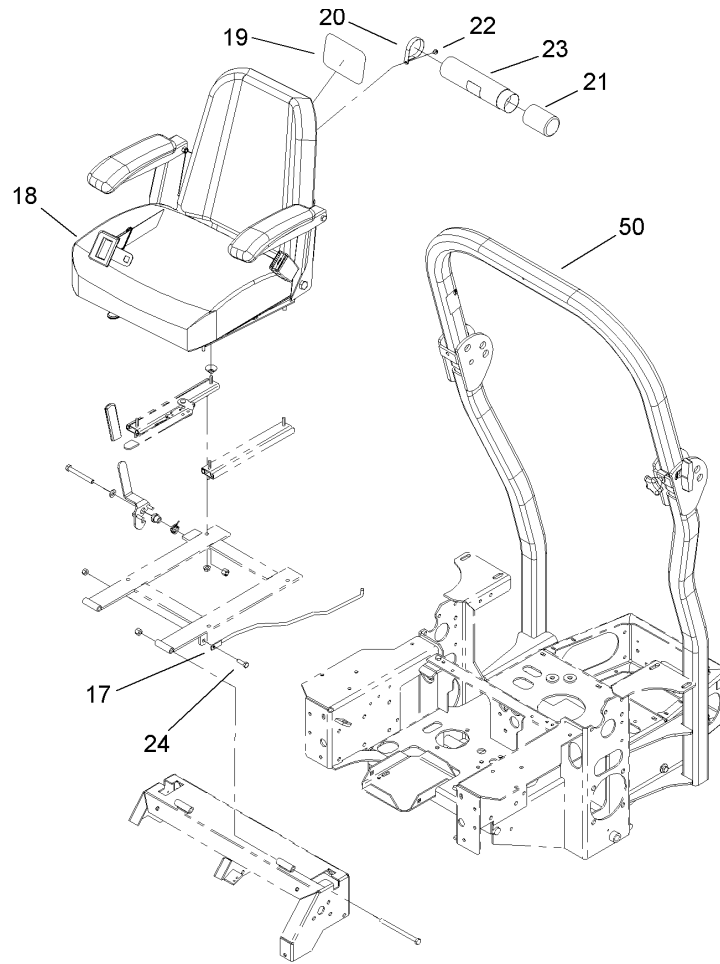
Ref	Part No.	Qty.	Description
23	1-633447	4	Chain-Lift, Deck
24	99-3946-01	1	Plate-Retainer, Bolt
25	1-800805	1	Screw-HH
26	94-2547	1	Bolt-Eye
27	3296-39	2	Nut-Lock, NI
28	1-809107	2	Washer-Hardened
29	107-3076	2	Screw HH
30	107-3077	2	Screw HH
31	112843	2	Washer
32	100-7123	4	Spacer-Bedbar



Electrical System Assembly

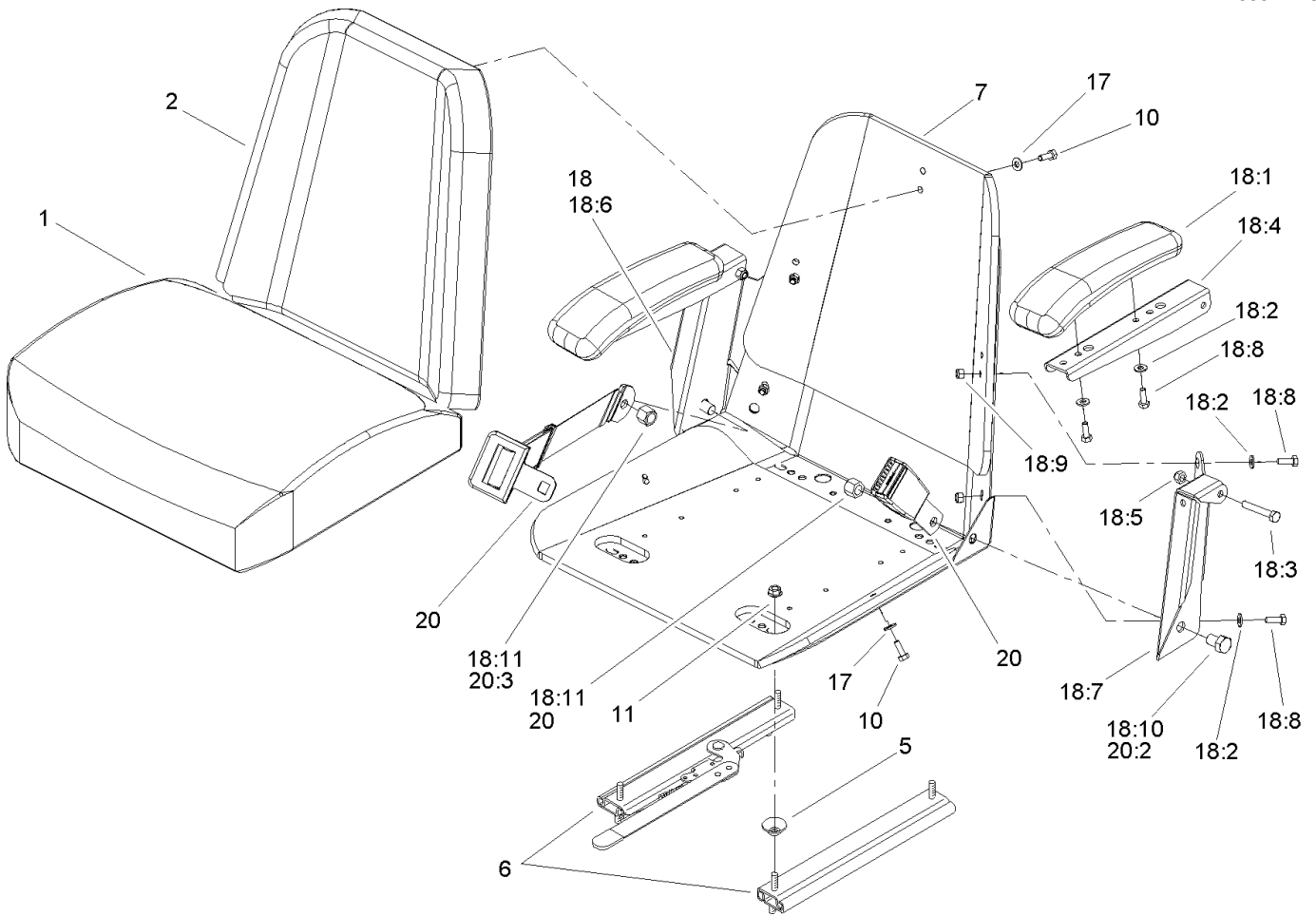
Ref	Part No.	Qty.	Description
1	1-543792	2	Wingnut
2	1-633652-03	1	Strap-Holddown
3	1-633651	2	Bolt-Holddown
4	103-0705	1	Cable-Ground, Negative
5	1-543391	1	Insulator-Battery
6	321-4	5	Screw-HH
7	3256-2	2	Washer-Flat
8	32128-33	6	Nut-HF
9	105-1692	1	Battery
9:1	104-4163	1	Decal-Battery
9:2	104-4164	1	Decal-Battery
10	103-0707	1	Cable-Battery, Positive
11	1-800282	1	Screw-HH
12	1-523415	1	Spring-Switch, Seat
13	3290-500	10	Screw-PPH
14	1-652072-03	1	Bracket-Switch, Seat
15	322-3	3	Screw-HH
16	32128-20	5	Nut-HF
17	1-653036	1	Washer
18	1-513152	1	Switch-Closed, Normally
19	1-633181	4	Plate-Tapped
20	1-816001	2	Fuse-Blade Type, 20 Amp
21	103-0623	1	Harness-Wire
22	1-303287	3	Tie-Plastic

Ref	Part No.	Qty.	Description
23	1-543393	3	Insulator-Solenoid
24	1-643275	2	Relay
25	1-633306	1	Wire-Starter
26	1-513075	1	Switch-Solenoid
27	1-543286	2	Grommet
28	1-633396	2	Clip-Loom
29	1-513051	2	Switch-Open, Normally
30	1-303335	4	Tie-Plastic
31	1-513374	1	Meter-Hour
32	1-633111	1	Switch
33	100-6186	1	Module-Delay, Seat
34	88-9830	1	Key Switch ASM
34:1	3254-5	1	Washer-Tooth
34:2	218-461	1	Nut-HH
35	63-8360	2	Key-Ignition
36	1-633673	1	Switch-Delta
37	3296-2	7	Nut-Lock
38	1-807513	4	Bolt-CARR
39	1-644427	1	Tilt Switch ASM
39:2	1-643401	1	Decal-Switch, Mercury
42	3256-14	1	Washer-Flat
43	103-1193	1	Clip-Half, Loom
44	1-807533	1	Bolt-CARR



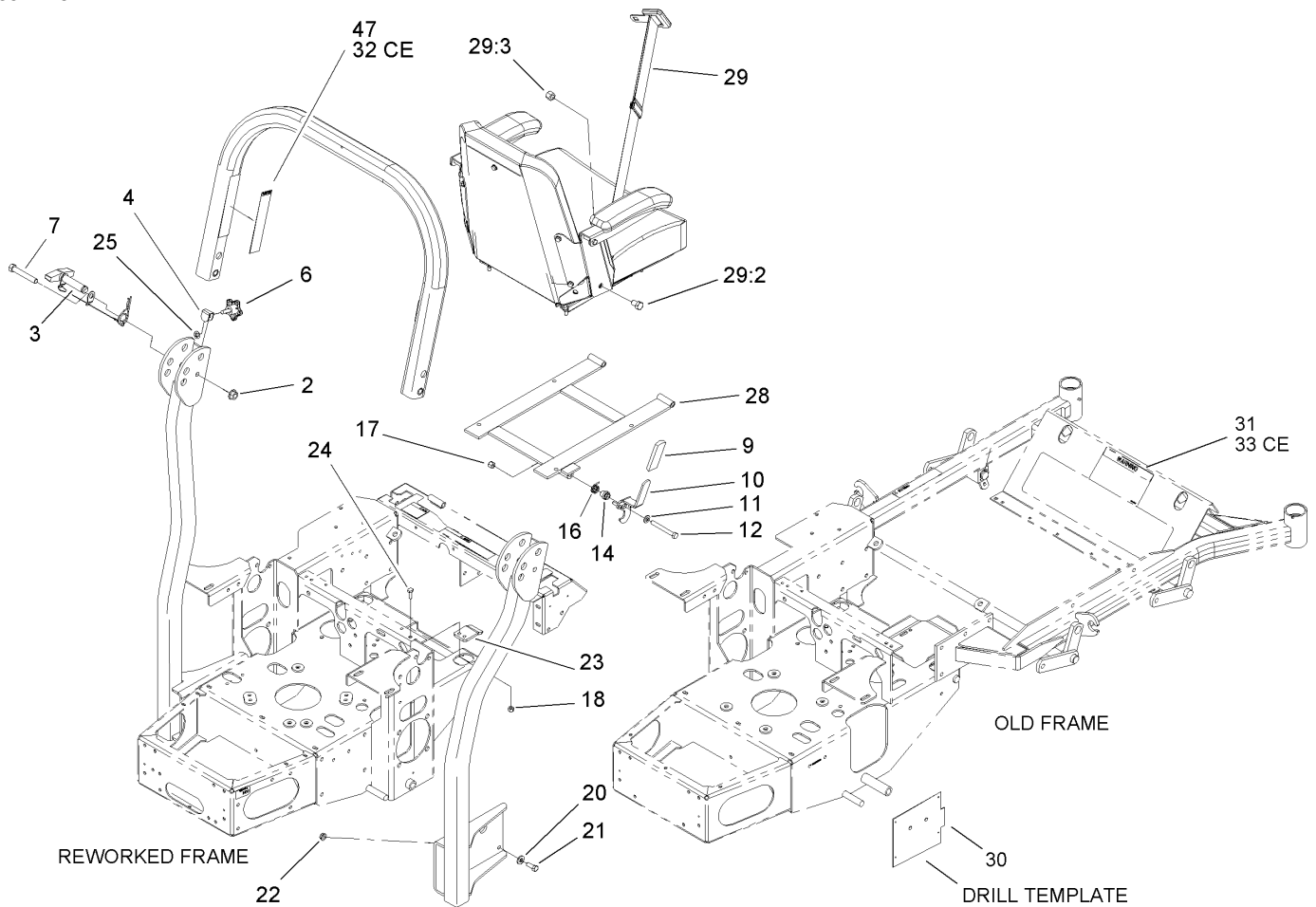
Seat and Roll-Over-Protection-System Assembly

Ref	Part No.	Qty.	Description				
17	103-1731	1	Rod-Retainer, Seat				
18	107-1867	1	Seat ASM				
19	99-4693	1	Decal				
20	2412-120	2	R-Clamp				
21	104-7048	1	Cap-Housing				
22	32104-76	2	Screw				
23	104-7050	1	Housing-Manual				
24	322-5	1	Screw-HH				
50	107-3066	1	Rops ASM				



Seat Assembly No. 107-1867

Ref	Part No.	Qty.	Description
1	103-0290	1	Cushion-Seat, Bottom
2	104-7754	1	Cushion-Seat, Back
5	1-543401	4	Spacer-Track
6	1-643255	1	Track-Seat
7	1-633859	1	Frame-Seat
10	321-30	11	Screw-HH
11	32128-20	4	Nut-HF
17	3256-22	11	Washer-Flat
18	105-3620	1	Armrest Kit
18:1	1-633710	2	Cushion-Armrest
18:2	3256-22	4	Washer-Flat
18:3	322-10	2	Screw-HH
18:4	105-3623	2	Channel-Armrest
18:5	32153-3	2	Nut-Lock
18:6	105-3621	1	Bracket-Armrest, RH
18:7	105-3622	1	Bracket-Armrest, LH
18:8	321-30	6	Screw-HH
18:9	3296-42	4	Nut-Lock, NI
18:10	325-2	2	Screw-HH
18:11	3296-23	2	Nut-Lock, NI
20	103-4469	1	Seatbelt Kit
20:2	3212-4	2	Screw-HH
20:3	3296-38	2	Nut-Lock NI



Roll-Over Protection System Assembly No. 107-3066

Ref	Part No.	Qty.	Description
2	32128-23	2	Nut-HF
3	107-3060	2	Pin Latch ASM
4	107-3124	2	Clip
6	106-0887	2	Knob
7	325-13	2	Screw-HH
9	62-9130	1	Grip-Handle
10	107-3083	1	Latch ASM
11	3256-24	1	Washer-Flat
12	323-20	1	Screw-HH
14	107-0075	1	Bushing-Latch, Seat
16	107-0076	1	Spring-Torsion
17	3296-39	1	Nut-Lock, NI
18	3296-29	2	Nut-Lock, NI
20	98-5975	8	Washer-Belleville
21	323-6	8	Screw-HH
22	3290-357	8	Nut-HHF
23	107-3059	1	Catch-Latch, Seat
24	322-4	2	Screw-HH
25	107-3154	2	Nut-Push
28	107-3052-03	1	Frame-Support, Seat
29	103-4469	1	Seatbelt Kit
29:2	3212-4	2	Screw-HH
29:3	3296-38	2	Nut-Lock NI
30	107-3079	1	Template-Mount, Rops

Ref	Part No.	Qty.	Description
31	107-2112	1	Decal-Warning
32	107-3069	1	Decal-Warning, Folding Rops (Ce)
33	107-1866	1	Decal-Danger, Slope
47	107-2102	1	Decal-Warning, Folding Rops

NOTES

NOTES

NOTES

