



EN Pole Saw Attachment

88714

ES Accesorio de sierra de pértiga

88714

FR Élagueuse sur perche

88714



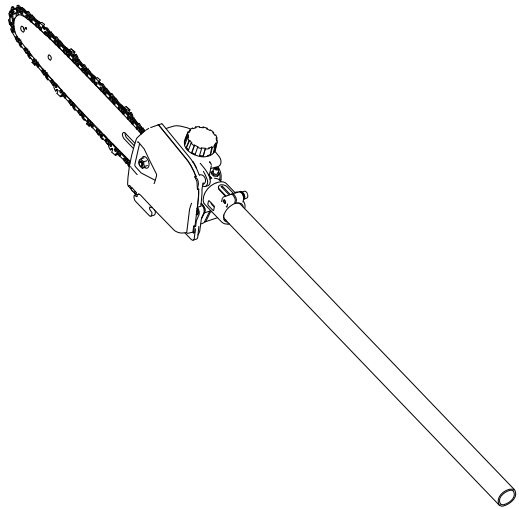


Count on it.

Operator's Manual

Pole Saw Attachment
Flex-Force Power System® 60V MAX
Attachment

Model No. 88714—Serial No. 326000000 and Up





For assistance, please see www.Toro.com/support for instructional resources or contact your Authorized Service Dealer before returning this product.

⚠ WARNING

CALIFORNIA Proposition 65 Warning

Use of this product may cause exposure to chemicals known to the State of California to cause cancer, birth defects, or other reproductive harm.

Introduction

This pole saw attachment is designed for trimming small branches and limbs up to 6 inches (15.2 cm) in diameter. It is to be used only by adults. It is designed to be used in combination with the Flex-Force Power System® 60V MAX Attachment-Capable Power Head Model 51810T. Using this product for purposes other than its intended use could prove dangerous to you and bystanders.

Important: In some cases, a quick-release harness for must be used for proper support and balance.

If you are using this attachment combined with the Model 51810T power head, and a battery pack that is 4.0 Ah or greater, you must install quick-release harness Model 139-5334 (not included).

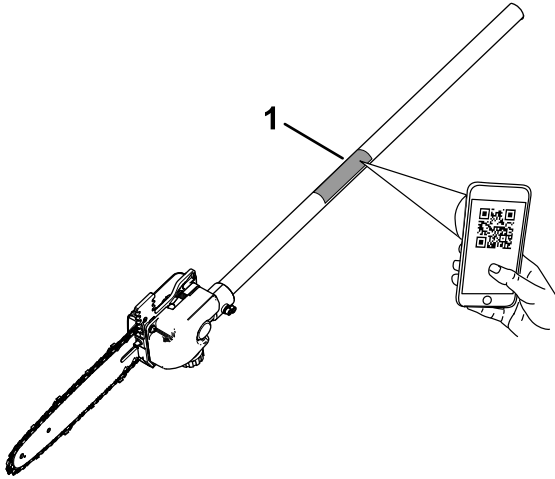
Read this information carefully to learn how to operate and maintain your product properly and to avoid injury and product damage. You are responsible for operating the product properly and safely.



Visit www.Toro.com for more information, including safety tips, training materials, accessory information, help finding a dealer, or to register your product.

Whenever you need service, genuine Toro parts, or additional information, contact an Authorized Service Dealer or Toro Customer Service and have the model and serial numbers of your product ready. **Figure 1** identifies the location of the model and serial numbers on the product. Write the numbers in the space provided.

Important: With your mobile device, you can scan the QR code (if equipped) on the serial number plate to access warranty, parts, and other product information.



g426291

Figure 1

1. Model and serial number location

Model No. _____
Serial No. _____

Safety-Alert Symbol

The safety-alert symbol (Figure 2) shown in this manual and on the machine identifies important safety messages that you must follow to prevent accidents.



Figure 2
Safety-alert symbol

g000502

The safety-alert symbol appears above information that alerts you to unsafe actions or situations and is followed by the word **DANGER**, **WARNING**, or **CAUTION**.

DANGER indicates an imminently hazardous situation which, if not avoided, **will** result in death or serious injury.

WARNING indicates a potentially hazardous situation which, if not avoided, **could** result in death or serious injury.

CAUTION indicates a potentially hazardous situation which, if not avoided, **may** result in minor or moderate injury.

This manual uses two other words to highlight information. **Important** calls attention to special mechanical information and **Note** emphasizes general information worthy of special attention.

The Model 51810T Power Head is compatible with a variety of Toro-approved attachments that, when combined, comply with specific standards; see the following table for more detail.

Combination	Power Head Model	Attachment Model	Standard
String Trimmer	51810T	88716	Conforms to UL STD 82 Certified to CSA STD C22.2 No. 147
Edger	51810T	88710	Conforms to UL STD 82 Certified to CSA STD C22.2 No. 147
Pole Saw	51810T	88714	Conforms to UL STD 82 Certified to CSA STD C22.2 No. 147
Cultivator	51810T	88715	Conforms to UL STD 82 Certified to CSA STD C22.2 No. 147
Hedge Trimmer	51810T	88713	Conforms to UL STD 62841-4-2 Certified to CSA STD C22.2 62841-4-2

Safety

⚠ WARNING

Read all safety warnings, instructions, illustrations and specifications provided with this power tool.

Failure to follow all instructions listed below may result in electric shock, fire and/or serious injury.

Save all warnings and instructions for future reference.

The term “power tool” in all the warnings refers to your mains-operated (corded) power tool or battery-operated (cordless) power tool.

IMPORTANT SAFETY INSTRUCTIONS

I. Work area safety

- 1. Keep work area clean and well lit.** *Cluttered or dark areas invite accidents.*
- 2. Do not operate power tools in explosive atmospheres, such as in the presence of flammable liquids, gases, or dust.** *Power tools create sparks which may ignite the dust or fumes.*
- 3. Keep children and bystanders away while operating a power tool.** *Distractions can cause you to lose control.*

II. Electrical safety

- 1. Power tool plugs must match the outlet. Never modify the plug in any way. Do not use any adapter plugs with earthed (grounded) power tools.** *Unmodified plugs and matching outlets will reduce risk of electric shock.*
- 2. Avoid body contact with earthed or grounded surfaces, such as pipes, radiators, ranges and refrigerators.** *There is an increased risk of electric shock if your body is earthed or grounded.*
- 3. Do not expose power tools to rain or wet conditions.** *Water entering a power tool will increase the risk of electric shock.*
- 4. Do not abuse the cord. Never use the cord for carrying, pulling or unplugging the power tool. Keep cord away from heat, oil, sharp edges or moving parts.** *Damaged or entangled cords increase the risk of electric shock.*

5. **When operating a power tool outdoors, use an extension cord suitable for outdoor use.** *Use of a cord suitable for outdoor use reduces the risk of electric shock.*
6. **If operating a power tool in a damp location is unavoidable, use a residual current device (RCD) protected supply.** *Use of an RCD reduces the risk of electric shock.*

III. Personal safety

1. **Stay alert, watch what you are doing and use common sense when operating a power tool. Do not use a power tool while you are tired or under the influence of drugs, alcohol, or medication.** *A moment of inattention while operating power tools may result in serious personal injury.*
2. **Use personal protective equipment. Always wear eye protection.** *Protective equipment such as dust mask, non-skid safety shoes, hard hat, or hearing protection used for appropriate conditions reduces personal injuries.*
3. **Prevent unintentional starting. Ensure the switch is in the OFF-position before connecting to power source and/or battery pack, picking up or carrying the tool.** *Carrying power tools with your finger on the switch or energizing power tools that have the switch on invites accidents.*
4. **Remove any adjusting key or wrench before turning the power tool on.** *A wrench or a key left attached to a rotating part of the power tool may result in personal injury.*
5. **Do not overreach. Keep proper footing and balance at all times.** *This enables better control of the power tool in unexpected situations.*
6. **Dress properly. Do not wear loose clothing or jewelry. Keep your hair and clothing away from moving parts.** *Loose clothes, jewelry, or long hair can be caught in moving parts.*
7. **If devices are provided for the connection of dust extraction and collection facilities, ensure these are connected and properly used.** *Use of dust collection can reduce dust-related hazards.*
8. **Do not let familiarity gained from frequent use of tools allow you to become complacent and ignore tool safety principles.** *A careless action can cause severe injury within a fraction of a second.*

IV. Power tool use and care

1. **Do not force the power tool. Use the correct power tool for your application.** *The correct power tool will do the job better and safer at the rate for which it was designed.*

2. **Do not use the power tool if the switch does not turn it on and off.** *Any power tool that cannot be controlled with the switch is dangerous and must be repaired.*
3. **Disconnect the plug from the power source and/or remove the battery pack, if detachable, from the power tool before making any adjustments, changing accessories, or storing power tools.** *Such preventive safety measures reduce the risk of starting the power tool accidentally.*
4. **Store idle power tools out of the reach of children and do not allow persons unfamiliar with the power tool or these instructions to operate the power tool.** *Power tools are dangerous in the hands of untrained users.*
5. **Maintain power tools and accessories. Check for misalignment or binding of moving parts, breakage of parts, and any other condition that may affect the power tool's operation. If damaged, have the power tool repaired before use.** *Many accidents are caused by poorly maintained power tools.*
6. **Keep cutting tools sharp and clean.** *Properly maintained cutting tools with sharp cutting edges are less likely to bind and are easier to control.*
7. **Use the power tool, accessories, and tool bits etc. in accordance with these instructions, taking into account the working conditions and the work to be performed.** *Use of the power tool for operations different from those intended could result in a hazardous situation.*
8. **Keep handles and grasping surfaces dry, clean and free from oil and grease.** *Slippery handles and grasping surfaces do not allow for safe handling and control of the tool in unexpected situations.*

V. Battery tool use and care

1. **Recharge only with the charger specified by the manufacturer.** *A charger that is suitable for one type of battery pack may create a risk of fire when used with another battery pack.*
2. **Use power tools only with specifically designated battery packs.** *Use of any other battery packs may create a risk of injury and fire.*
3. **When battery pack is not in use, keep it away from other metal objects, like paper clips, coins, keys, nails, screws or other small metal objects, that can make a connection from one terminal to another.** *Shorting the battery terminals together may cause burns or a fire.*

4. **Under abusive conditions, liquid may be ejected from the battery; avoid contact. If contact accidentally occurs, flush with water. If liquid contacts eyes, additionally seek medical help.** *Liquid ejected from the battery may cause irritation or burns.*
5. **Do not use a battery pack or tool that is damaged or modified.** *Damaged or modified batteries may exhibit unpredictable behavior resulting in fire, explosion or risk of injury.*
6. **Do not expose a battery pack or tool to fire or excessive temperature.** *Exposure to fire or temperature above 130 °C (265 °F) may cause explosion.*
7. **Follow all charging instructions and do not charge the battery pack or tool outside the temperature range specified in the instructions.** *Charging improperly or at temperatures outside the specified range may damage the battery and increase the risk of fire.*

VI. Service

1. **Have your power tool serviced by a qualified repair person using only identical replacement parts.** *This will ensure that the safety of the power tool is maintained.*
2. **Never service damaged battery packs.** *Service of battery packs should only be performed by the manufacturer or authorized service providers.*

VII. Pole saw safety

1. **Keep all parts of the body away from the saw chain when the pole-mounted pruner is operating. Before you start the pole-mounted pruner, make sure the saw chain is not contacting anything.** *A moment of inattention while operating the pole-mounted pruner may cause entanglement of your clothing or body with the saw chain.*
2. **Always use two hands when operating the pole-mounted pruner.** *Hold the pole-mounted pruner with both hands to avoid loss of control.*
3. **To reduce the risk of electrocution, never use the pole-mounted pruner near any electrical power lines.** *Contact with or use near power lines may cause serious injury or electric shock resulting in death.*
4. **Hold the pole-mounted pruner by insulated gripping surfaces only, because the saw chain may contact hidden wiring.** *Saw chains contacting a "live" wire may make exposed metal parts of the pole-mounted pruner "live" and could give the operator an electric shock.*

5. **Wear eye and ear protection. Further protective equipment for hands and slip-resistant footwear is recommended.** *Adequate protective equipment will reduce the risk of personal injury.*
6. **Always use head protection when operating the pole-mounted pruner overhead.** *Falling debris can result in serious personal injury.*
7. **Always keep proper footing and operate the pole-mounted pruner only when standing on fixed, secure and level surface.** *Slippery or unstable surfaces may cause a loss of balance or control of the machine.*
8. **Do not operate a pole-mounted pruner in a tree, on a ladder, from a rooftop, or any unstable support.** *Operation of a pole-mounted pruner in this manner may result in loss of balance, loss of control and personal injury.*
9. **Keep all power cords and cables away from cutting area.** *Power cords or cables may be hidden in trees and can be accidentally cut by the saw chain.*
10. **Do not use the pole-mounted pruner in bad weather conditions, especially when there is a risk of lightning.** *This decreases the risk of being struck by lightning.*
11. **When cutting a limb that is under tension, be alert for spring back.** *When the tension in the wood fibers is released, the spring loaded limb may strike the operator and/or throw the pole-mounted pruner out of control.*
12. **Use extreme caution when cutting brush and saplings.** *The slender material may catch the saw chain and be whipped toward you or pull you off balance.*
13. **When carrying the pole-mounted pruner with the machine switched off, take care not to operate any power switch and keep the saw chain or saw blade away from your body.** *Proper carrying of the pole-mounted pruner will reduce the likelihood of accidental contact with the saw chain.*
14. **When transporting or storing the pole-mounted pruner, always fit the guide bar cover.** *Proper handling of the pole-mounted pruner will reduce the likelihood of accidental contact with the moving saw chain.*
15. **When clearing jammed material, storing or servicing the pole-mounted pruner, make sure the switch is off and the battery pack is removed.** *Unexpected actuation of the pole-mounted pruner while clearing jammed material or servicing may result in serious personal injury.*

16. **Cut wood only. Do not use pole-mounted pruner for purposes not intended. For example: do not use the pole-mounted pruner for cutting plastic, metal, masonry or non-wood building materials.** *Use of the pole-mounted pruner for operations different than intended could result in a hazardous situation.*
17. **Carry the pole saw with both hands, the pole saw switched off and away from your body. When transporting or storing the pole saw, always fit the guide bar cover.** *Proper handling of the pole saw will reduce the likelihood of accidental contact with the moving saw chain.*
18. **Do not remove cut material or hold material to be cut when the saw chain is moving.** *Make sure the switch is off and the battery disconnected when clearing jammed material. Saw chain continues to move after the switch is turned off.*
19. **Follow instructions for lubricating, chain tensioning, changing the bar and chain.** *Improperly tensioned or lubricated chain may either break or increase the chance for kickback.*
20. **This pole saw is not intended for tree felling.** *Use of the pole saw for operations different than intended could result in serious injury to the operator or bystanders.*
21. **Avoid kickback.** *Kickback may occur when the nose or tip of the guide bar touches an object, or when the wood closes in and pinches the saw chain in the cut.*

Tip contact in some cases may cause a sudden reverse reaction, kicking the guide bar up and back toward you.

Pinching the saw chain along the top of the guide bar may push the guide bar rapidly back toward you.

Either of these reactions may cause you to lose control of the saw, which could result in serious personal injury. Do not rely exclusively upon the safety devices built into your saw. As a pole saw user, you should take several steps to keep your cutting jobs free from accident or injury.

Kickback is the result of tool misuse and/or incorrect operating procedures or conditions and can be avoided by taking proper precautions as given below:
22. **Maintain a firm grip, with thumbs and fingers encircling the pole saw handles, with both hands on the handle and position your body and arm to allow you to resist kickback forces.** *Kickback forces can be controlled by the operator, if proper precautions are taken. Do not let go of the pole saw.*

23. **Only use replacement bars and chains specified by the manufacturer.** *Incorrect replacement bars and chains may cause chain breakage and/or kickback.*
24. **Follow the manufacturer's sharpening and maintenance instructions for the saw chain.** *Decreasing the depth gauge height can lead to increased kickback.*






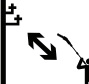

SAVE THESE INSTRUCTIONS







Decal Symbols



Safety decals and instructions are easily visible to the operator and are located near any area of potential danger. Replace any decal that is damaged or missing.

The following tables describe the safety and instructional symbols that appear on the decals.

Pole Saw Decal Symbol	Explanation
	Cutting/dismemberment hazard of hands
	Electrical shock hazard
	Warning
	Do not expose to rain.
	Stay away from moving parts.
	Keep away from powerlines.
	Keep bystanders away.

	Read the <i>Operator's Manual</i> .
	Wear a hard hat.
	Wear eye protection.
	Wear hearing protection.
	Wear gloves.
	Wear substantial slip-resistant shoes.

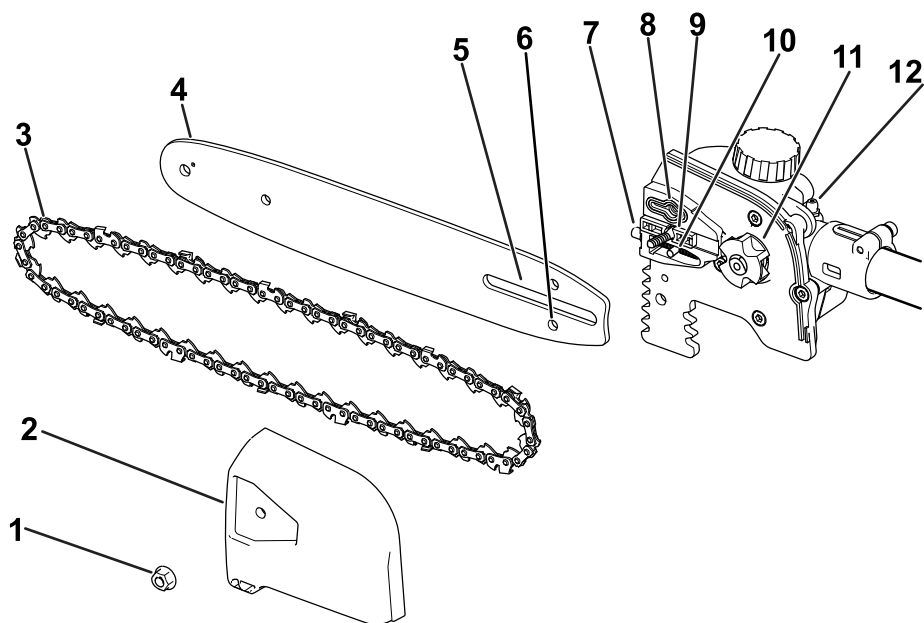
Setup

Installing the Bar and Chain

⚠ DANGER

Contact with the pole saw teeth can cause serious personal injury.

- **Remove the battery pack before adjusting or maintaining the pole saw.**
 - **Always wear gloves when adjusting or maintaining the pole saw.**
1. Place the pole saw on a flat surface and do not install the battery pack.
 2. Remove the side cover; turn the bar cover screw counterclockwise until the screw is removed and then remove the side cover ([Figure 3](#)).



g586538

Figure 3

- | | | |
|----------------|------------------------------|-------------------------------|
| 1. Cover nut | 5. Guide bar slot | 9. Guide bar cover stud |
| 2. Chain cover | 6. Chain adjusting stud slot | 10. Chain adjusting stud slot |
| 3. Chain | 7. Chain tensioning screw | 11. Drive sprocket |
| 4. Guide bar | 8. Oil outlet | 12. Grease fitting |

3. Place the chain around the sprocket on the front end of the guide bar, with the cutting edge of the chain teeth on the top of the bar facing forward as shown in the diagram beneath the side cover of the pole saw.
4. Continue to feed the chain around the guide bar and align the chain into the groove of the guide bar.
5. Position the open loop of the chain (the side not on the guide bar) around the drive sprocket on the pole saw (Figure 3).

Important: Ensure that the chain adjusting stud is inserted into the chain adjusting stud slot on the guide bar (Figure 3).

You may need to rotate the chain-tensioning screw to fit the stud into the slot on the guide bar (Figure 14).

6. Install the side cover and bar cover screw and loosely tighten the side cover by turning the screw clockwise.

7. Adjust the chain tension; refer to [Adjusting the Chain Tension](#) (page 27).

Connecting the Attachment to the Power Head

1. Install the square shaft of the attachment into the square shaft of the power head (A of [Figure 4](#)).
2. Align the locking button on the lower shaft with the slotted hole on the upper shaft and slide the 2 shafts together (B and C of [Figure 4](#)).

Note: The locking button clicks into the slotted hole when the shafts are secured (C of [Figure 4](#)).

3. Using the screw-handle, tighten the screw on the shaft connector until it is secure (D of [Figure 4](#)).

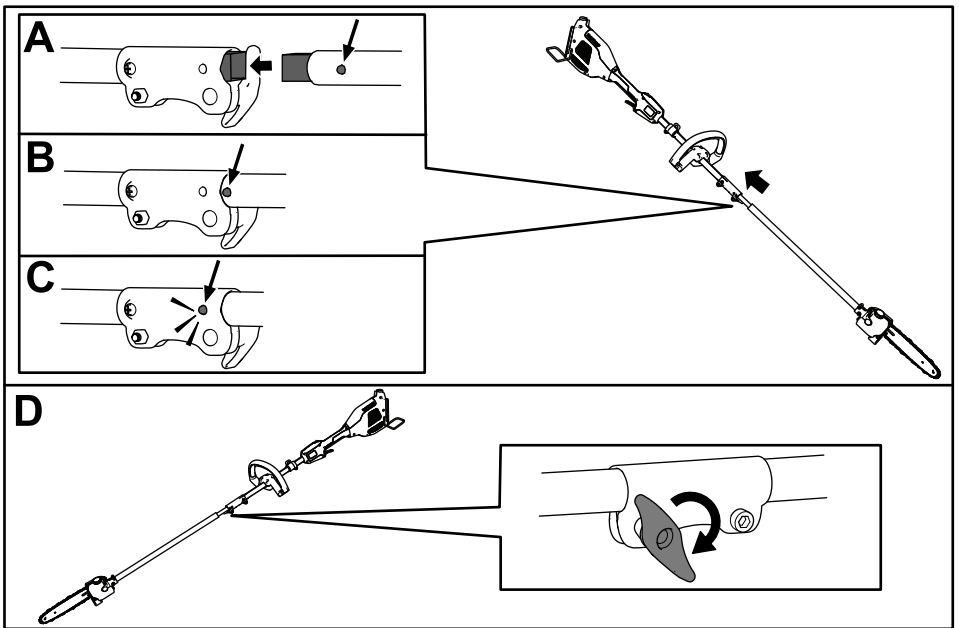


Figure 4

g586537

Adding Bar and Chain Oil to the Pole Saw

Important: Use only bar and chain oil (sold separately).

Fill the pole saw with bar and chain oil before first operation; refer to [Checking the Oil Level and Adding Bar and Chain Oil](#) (page 25).

Product Overview

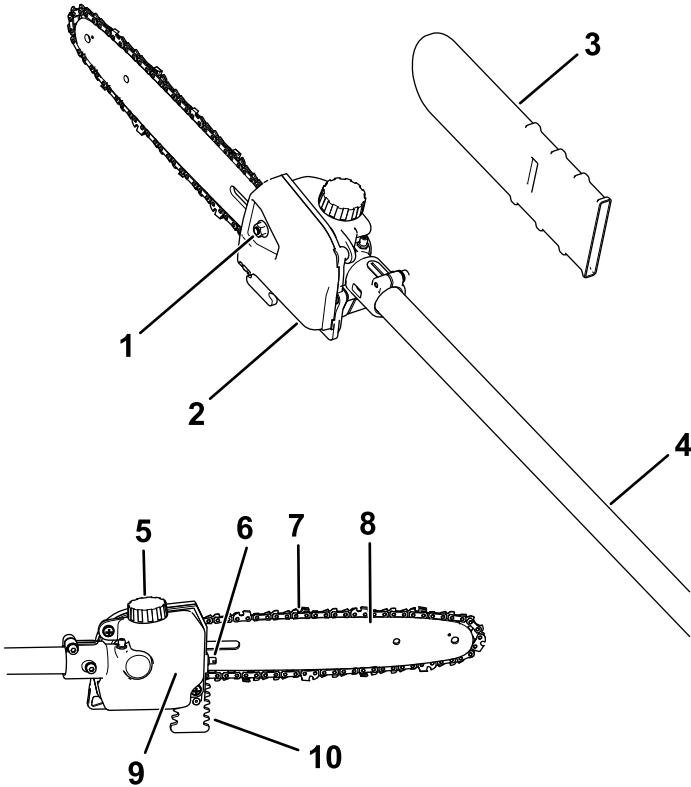


Figure 5

g358797

- | | |
|--------------------|---------------------------|
| 1. Cover screw | 6. Chain-tensioning screw |
| 2. Chain cover | 7. Chain |
| 3. Guide bar cover | 8. Guide bar |
| 4. Shaft | 9. Oil tank |
| 5. Oil-tank cap | 10. Bucking teeth |

Specifications

Model	88714, attaches to 51810T
Bar Length (with 88619 and 88621 equipped)	25.4 cm (10 inches)
Chain Gauge (with 88619 and 88621 equipped)	0.050 inches
Chain Pitch (with 88619 and 88621 equipped)	1/4 inch
Chain Length (with 88619 and 88621 equipped)	58 links
Rated Voltage	60V DC maximum, 54 VDC nominal usage
Weight (without a battery)	4.2 kg (9.3 lbs)
Charger Type	Flex-Force 60V lithium-ion chargers
Battery Type	Flex-Force 60V lithium-ion batteries*

*If you are using this machine with a battery pack that is 4.0 Ah or greater, you must install quick-release harness Model 139-5334 (not included).

Appropriate Temperature Ranges

Charge/store the battery pack at	5°C (41°F) to 40°C (104°F)*
Use the battery pack at	-30°C (-22°F) to 49°C (120°F)*
Use the tool at	0°C (32°F) to 49°C (120°F)*

*Charging time will increase if you do not charge the battery within this range.

Store the tool, battery pack, and battery charger in an enclosed clean, dry area.

Attachments/Accessories

A selection of Toro approved attachments and accessories is available for use with the machine to enhance and expand its capabilities. Contact your Authorized Service Dealer or authorized Toro distributor or go to www.Toro.com for a list of all approved attachments and accessories.

To ensure optimum performance and continued safety certification of the machine, use only genuine Toro replacement parts and accessories. Replacement parts and accessories made by other manufacturers could be dangerous.

Operation

Before Using the Pole Saw

Before using the pole saw, do the following:

- Check the chain tension; refer to [Adjusting the Chain Tension \(page 27\)](#).
- Clean the pole saw components, inspect them for excessive wear or damage, and replace them as needed; refer to [Servicing the Guide Bar, Chain, and Drive Sprocket \(page 30\)](#).
- Check the chain for sharpness and damage, and sharpen or replace as needed; refer to [Sharpening the Chain \(page 33\)](#).
- Check the oil level; refer to [Checking the Oil Level and Adding Bar and Chain Oil \(page 25\)](#).
- Check the pole saw for damage, general appearance, and performance; ensure that the switches move freely, the vents and handles are clean, and the bar is not bent or damaged.

Starting the Attachment

1. Ensure that the vents on the attachment, power head, and battery are clear of any dust and debris.
2. Align the cavity in the battery pack with the tongue on the handle housing ([Figure 6](#)).

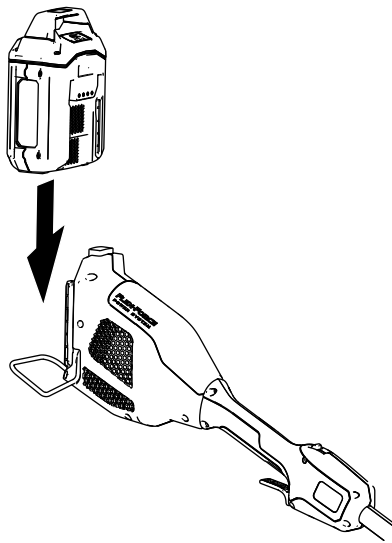


Figure 6

g357444

3. Push the battery pack into the handle until the battery locks into the latch.
4. To start the attachment, press the lockout button, then squeeze the run trigger ([Figure 7](#)).

Note: Slide the 2-speed switch to change the speed of the attachment.

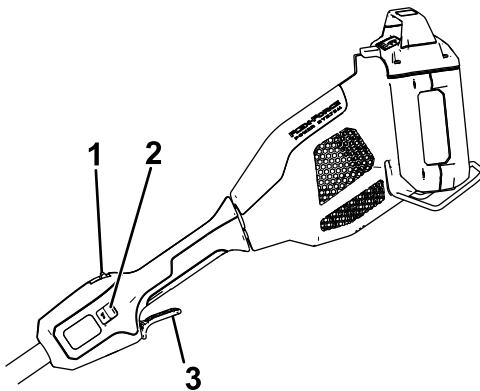


Figure 7

g357456

1. Lockout button
2. 2-speed switch
3. Run trigger

Shutting Off the Pole Saw

To shut off the pole saw, release the trigger.

Whenever you are not using the pole saw or are transporting the pole saw to or from the work area, remove the battery pack and install the guide bar cover.

Removing the Battery Pack from the Power Head

Press the battery latch on the machine to release the battery pack and slide the battery pack out of the machine (Figure 8).

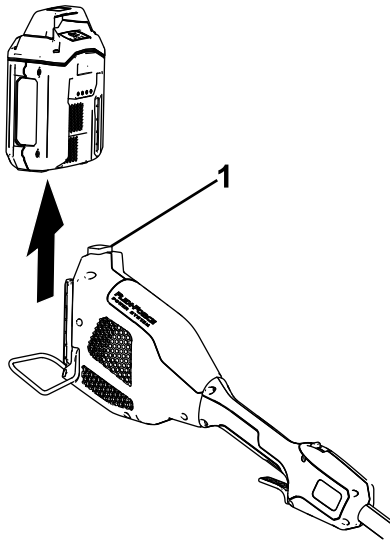


Figure 8

g357457

1. Battery latch

Removing the Attachment from the Power Head

1. Ensure that the battery pack is removed from the power head; refer to [Removing the Battery Pack from the Power Head](#) (page 20).
2. Loosen the screw-handle on the shaft connector (Figure 5).
3. Press the locking button down while pulling the 2 shafts apart (Figure 5).

Cutting with the Pole Saw

⚠ WARNING

Operating a pole saw improperly can cause serious personal injury or death.

Read and follow all operating instructions carefully to avoid possible personal injury.

⚠ WARNING

Do not operate near electrical power lines; the pole saw has not been designed to provide protection from electric shock in the event of contact with overhead electric lines,

Consult local regulations for safe distances from overhead electric power lines and ensure that the operating position is safe and secure before operating the pole saw.

⚠ WARNING

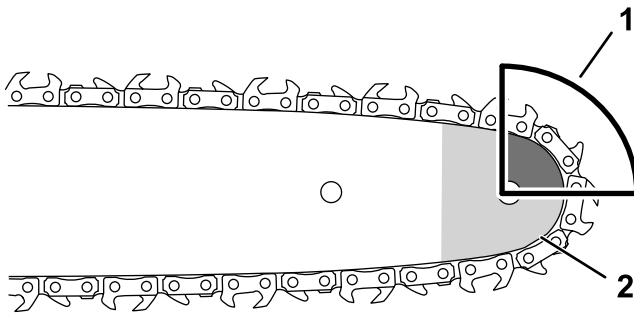
Kickback can cause serious or fatal injury to you.

Avoid touching objects to be cut with the nose of the pole saw guide bar.

There are 2 types of kickback:

- A fast **upward** motion of the pole saw that results when the chain at the nose or top of the bar contacts an object
- A fast **backward** motion of the pole saw that results when the chain at the nose or top of the bar is pinched by the object being cut

Figure 9 shows the area of the bar to avoid contacting an object to prevent kickback.



g318677

Figure 9

1. Kickback area (nose, top of the bar) 2. Nose

1. Grip the pole saw with 2 hands.
2. Stand on solid, even ground in front of the tree to be trimmed and position yourself for balanced, stable footing while cutting.
3. Ensure that you only cut the wood that you intend to cut; do not allow the saw chain to contact the earth, other logs, or any other objects when cutting.
4. Ensure that the saw chain is rotating at full speed before starting a cut.
5. Cut with the branch near the rear of the guide bar, close to the cutting guide; press the saw chain lightly against the wood and allow the weight of the pole saw to drive the cutting (Figure 10).

Important: If the chain binds in the cut, do not attempt to free it by running the motor. Shut off the pole saw, remove the battery, and lift the limb while holding the saw; this should release the pinch and free the pole saw.

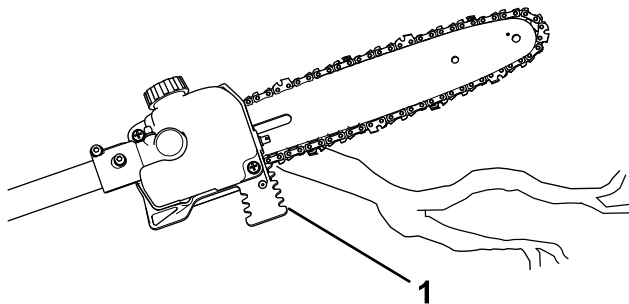


Figure 10

g358883

1. Cutting guide

-
6. Keep steady pressure on the pole saw, cutting in a straight line, and release pressure only near the end of the cut.
 7. Release the trigger as soon as you complete a cut.

Pruning a Tree

⚠ WARNING

Cutting higher limbs from a tree off the ground can put you in an unstable position that could be unsafe for you while handling a pole saw, resulting in possible serious personal injury or death to you or bystanders.

When cutting limbs from a standing tree, use the following practices:

- Do not climb on limbs or branches with a pole saw.
 - Do not overreach, and cut with both hands on the pole saw.
 - Ensure that all bystanders are away from the area where branches may fall.
1. Grip the pole saw as described in [Cutting with the Pole Saw \(page 21\)](#).
 2. While cutting small branches, apply light pressure to the branch to be cut.
 3. While cutting larger branches, make a shallow undercut and then complete the cut from the topside of the branch.
 - A. Cut from the underside of the limb about 15 cm (6 inches) from the trunk. Cut a third of the way through the limb.

- B. Cut 5.0 to 10.0 cm (2 to 4 inches) farther out on the limb and from above. Cut the limb until it falls.
- C. Cut the limb stub at the branch collar (Figure 11).

Important: Do not cut the limb past the collar, flush to the trunk, or leave a large limb stub; this damages the tree.

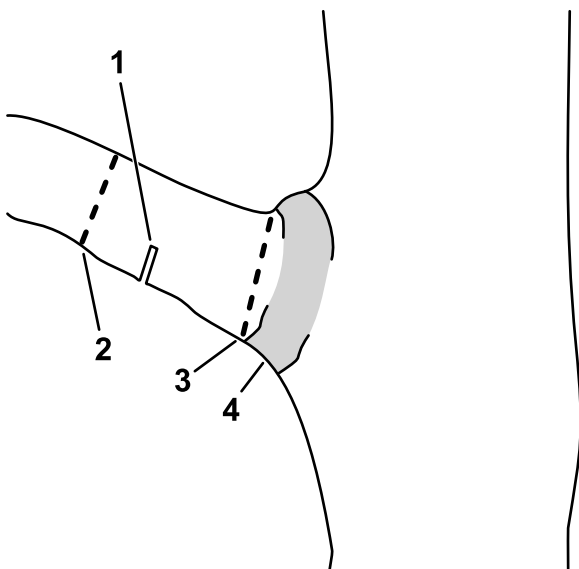


Figure 11

g316577

- 1. First relief undercut
- 2. Second through cut
- 3. Final pruning cut to remove the limb stub
- 4. Branch collar (where the trunk transitions to the limb)

Maintenance

Recommended Maintenance Schedule(s)

Maintenance Service Interval	Maintenance Procedure
Before each use or daily	<ul style="list-style-type: none">• Check the oil level and add bar and chain oil if necessary.• Check that oil is flowing to the chain.• Check the chain tension and adjust it if necessary.• Ensure that the bar is straight and undamaged• Check the chain for sharpness; contact an Authorized Service Dealer to have the chain sharpened or replaced.
After each battery drain cycle	<ul style="list-style-type: none">• Check the oil level and add bar and chain oil if necessary.• Check the chain tension and adjust it if necessary.
Every 10 hours	<ul style="list-style-type: none">• Grease the pole saw.
Yearly or before storage	<ul style="list-style-type: none">• Service the guide bar, chain, and drive sprocket.• Check the chain for sharpness; contact an Authorized Service Dealer to have the chain sharpened or replaced.

Checking the Oil Level and Adding Bar and Chain Oil

Service Interval: Before each use or daily

After each battery drain cycle

Important: Use only bar and chain oil (sold separately).

1. Shut off the pole saw and remove the battery pack; refer to [Removing the Battery Pack from the Power Head \(page 20\)](#).
2. Place the pole saw on a flat surface with the oil cap facing up.
3. Check the oil level in the oil tank; if the oil does not reach the MIN line of the oil tank, add bar and chain oil as needed.
4. Clean the area around the oil cap ([Figure 9](#)).

Note: Ensure that you do not allow debris/wood chips to enter the oil tank.

5. Remove the oil-tank cap by rotating counterclockwise, and pour bar and chain oil into the pole saw until the oil reaches the MAX line on the oil tank ([Figure 9](#)).

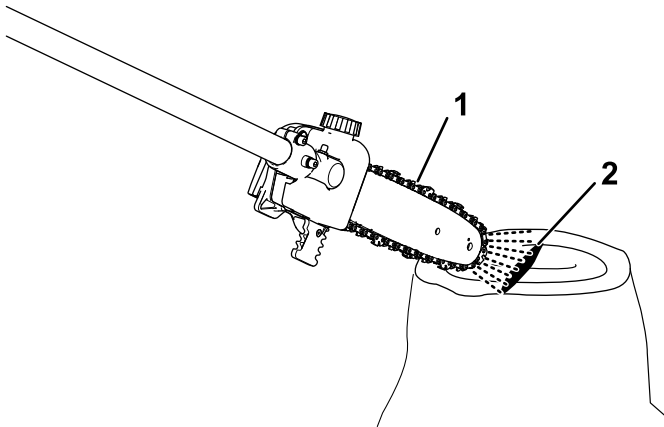
Important: Do not fill the pole saw higher than the MAX line on the oil tank.

6. Clean up any spilled oil and secure the oil-tank cap.
7. Ensure that oil is flowing to the chain; refer to [Checking the Flow of Bar and Chain Oil](#) (page 26).

Checking the Flow of Bar and Chain Oil

Service Interval: Before each use or daily

1. Prepare to use the pole saw; refer to [Before Using the Pole Saw](#) (page 18).
2. To ensure that oil is flowing to the chain, point the nose of the pole saw a few inches from a surface (e.g. paper, cardboard, a stump) and run the pole saw; you should be able to see a light spray of oil on the surface ([Figure 12](#)).



g358880

Figure 12

1. Run the pole saw a few inches from a surface.
2. If the oil is flowing, it will spray off the chain and accumulate.

-
3. If necessary, adjust the flow of oil as follows:
 - A. Place the pole saw on a flat surface and remove the battery pack; refer to [Removing the Battery Pack from the Power Head](#) (page 20).

- B. Turn the screw on the bottom of the pole saw head according to the diagram on the side cover to increase or decrease the flow of oil.
 - C. Check the flow of bar and chain oil; repeat this procedure until oil flows at the desired rate.
4. If oil is not flowing, ensure that there is oil in the tank and that the area under the side cover is clean; refer to [Checking the Oil Level and Adding Bar and Chain Oil \(page 25\)](#) and [Servicing the Guide Bar, Chain, and Drive Sprocket \(page 30\)](#).

Adjusting the Chain Tension

Service Interval: Before each use or daily

After each battery drain cycle

Ensure that the chain is properly tensioned.

A loose chain shortens the life of the drive sprocket and the guide bar and may cause the chain to fall off.

An overtightened chain overheats the guide bar and chain, causing rapid wear, and may burn out the motor or break the chain.

The chain tension is correct when you are able to use a gloved hand to pull the chain smoothly around the guide bar. The chain should remain in contact with the bottom edge of the guide bar.

Also, check the chain tension of a new chain after a few cuts; a new chain usually stretches and requires adjustment after a few cuts.

DANGER

Contact with the pole saw teeth can cause serious personal injury.

- **Remove the battery pack before adjusting or maintaining the pole saw.**
- **Always wear gloves when adjusting or maintaining the pole saw.**

1. Place the pole saw on a level surface and remove the battery pack; refer to [Removing the Battery Pack from the Power Head \(page 20\)](#).
2. Allow the saw chain to cool.

Important: Do not tension a hot chain; it may contract as it cools, resulting in an overtightened chain.

3. Inspect the guide bar for bends or damage, replace if necessary.
4. Turn the bar cover screw counterclockwise to loosen the bar cover, but do not remove it ([Figure 13](#)).

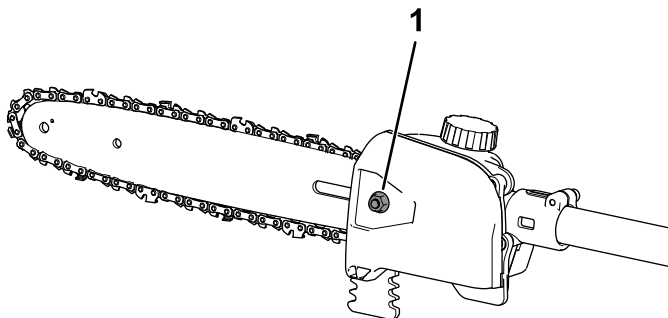
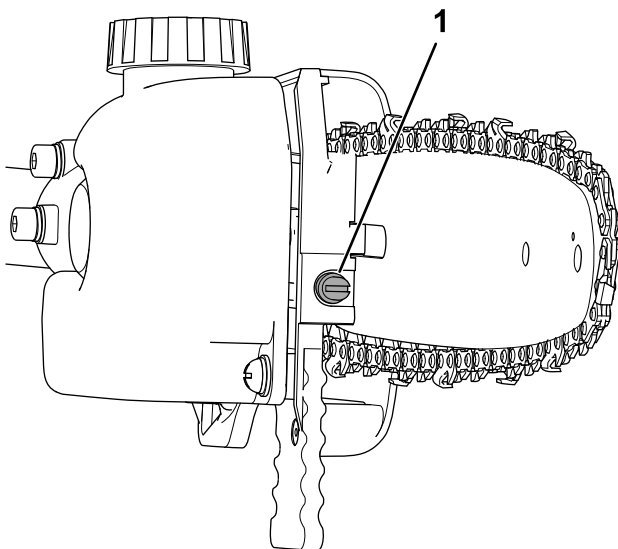


Figure 13

g358882

1. Bar cover screw
-

5. Adjust the chain tension using the chain tensioning screw ([Figure 14](#)), and then secure the side cover to the pole saw by turning the bar cover screw clockwise before checking the tension ([Figure 13](#)).
 - **To tighten the chain**, turn the chain tensioning screw clockwise.
 - **To loosen the chain**, turn the chain tensioning screw counterclockwise.



g358881

Figure 14

1. Chain tensioning screw
-

Adjust the chain tension until the chain touches the bottom edge of the guide bar, then pull the chain away from the bottom edge of the guide bar; a properly adjusted chain can only be pulled 3.2 to 6.4 mm (1/8 to 1/4 inch) away from the guide bar, and snaps back on release.

Note: While adjusting the chain tension, lift up the tip of the guide bar with a gloved hand to ensure the guide bar does not sag and affect chain tension.

6. Use a gloved hand to pull the chain around the guide bar. A properly tensioned chain should move smoothly and remain in contact with the bottom edge of the guide bar.
7. If the chain is not properly tensioned, repeat steps 4 through 7.

Servicing the Guide Bar, Chain, and Drive Sprocket

Yearly or before storage

⚠ DANGER

Contact with the pole saw teeth can cause serious personal injury.

- Remove the battery pack before adjusting or maintaining the pole saw.
 - Always wear gloves when adjusting or maintaining the pole saw.
1. Place the pole saw on a flat surface and remove the battery pack; refer to [Removing the Battery Pack from the Power Head \(page 20\)](#).
 2. Remove the side cover; turn the bar cover screw counterclockwise until the screw is removed, then remove the side cover ([Figure 15](#)).

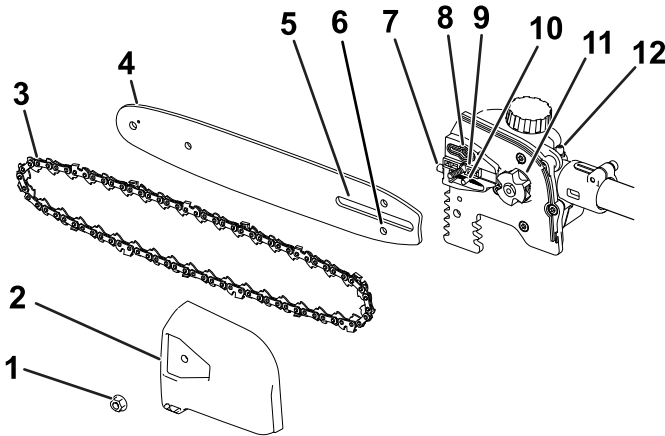


Figure 15

g363400

- | | | |
|----------------|---------------------------|-------------------------------|
| 1. Cover nut | 5. Guide bar slot | 9. Guide bar cover stud |
| 2. Chain cover | 6. Chain adjusting stud | 10. Chain adjusting stud slot |
| 3. Chain | 7. Chain tensioning screw | 11. Drive sprocket |
| 4. Guide bar | 8. Oil outlet | 12. Grease fitting |

3. Loosen the chain by turning the chain-tightening screw counterclockwise ([Figure 14](#)).

4. Separate the chain from the guide bar and set them aside.
5. Clean any debris from the area under the side cover.

Important: Ensure that the chain adjusting stud is inserted into the chain adjusting stud slot on the guide bar (Figure 15).

You may need to rotate the chain-tensioning screw to fit the stud into the slot on the guide bar (Figure 15).

6. Inspect the drive sprocket; if it is excessively worn or damaged, replace it; contact your authorized service dealer.
7. Check the oil outlet (Figure 15) for debris and clean the area if necessary.
8. Clean the guide bar and chain; use a wire or a small flat-head screwdriver to remove dirt and debris from the groove along the edge of the guide bar, starting from the sprocket on the front end and moving rearward.

Ensure that the oil channel in the bar that aligns with the oil outlet on the pole saw is clean so that oil can flow freely to the chain (Figure 16).



g315856

Figure 16

Internal sections of the guide bar shown

1. Ensure that this channel connecting to the oil outlet is clean.
 2. Ensure that the bar sprocket is clean and rotates freely.
-
9. Inspect the guide bar and chain; if the bar is bent, the grooves are damaged, or if the sprocket on the front end does not rotate freely, replace the guide bar; if the chain is excessively worn or damaged, replace it.
 10. Install the guide bar and chain; refer to [Installing the Guide Bar and Chain \(page 32\)](#).
 11. Ensure that oil is flowing to the chain; refer to [Checking the Flow of Bar and Chain Oil \(page 26\)](#).

Greasing the Pole Saw

Service Interval: Every 10 hours

Grease Type: General-purpose grease.

1. Place the pole saw on a flat surface and remove the battery pack; refer to [Removing the Battery Pack from the Power Head \(page 20\)](#).
2. Clean the grease fitting with a rag ([Figure 15](#)).
3. Connect a grease gun to the fitting and pump grease into the fitting until grease flows out from the fitting.
4. Wipe up any excess grease.

Installing the Guide Bar and Chain

⚠ DANGER

Contact with the pole saw teeth can cause serious personal injury.

- **Remove the battery pack before adjusting or maintaining the pole saw.**
 - **Always wear gloves when adjusting or maintaining the pole saw.**
1. If the side cover is installed to the machine, remove it; refer to [Servicing the Guide Bar, Chain, and Drive Sprocket \(page 30\)](#).
 2. Place the chain around the sprocket on the front end of the guide bar, **with the cutting edge of the chain teeth on the top of the bar facing forward** as shown in the diagram beneath the side cover of the pole saw.
 3. Feed the chain around the guide bar and align the chain into the groove of the guide bar.
Note: If you are installing a new chain, flip the guide bar to avoid uneven wear.
 4. Position the open loop of the chain (not on the guide bar) around the drive sprocket on the pole saw and install the guide bar and attached chain onto the pole saw.
 5. Install the side cover, but do not fully tighten the side cover screw.
 6. Adjust the chain tension; refer to [Adjusting the Chain Tension \(page 27\)](#).

Sharpening the Chain

Yearly or before storage

A sharp chain ensures better cutting performance and longer battery life.

The chain needs to be sharpened or replaced if you must force it onto the wood, or if it produces sawdust instead of full wood chips.

Contact an Authorized Service Dealer to have the chain sharpened or replaced.

Service

Should the pole saw need service, take the tool to your Authorized Service Dealer.

Storage

Important: Store the machine, battery pack, and charger only in temperatures that are within the appropriate range; refer to [Specifications \(page 17\)](#).

Important: If you are storing the battery pack for the off-season, charge it until 1 or 2 LED indicators turn green on the battery. Do not store a fully charged or fully depleted battery. When you are ready to use the machine again, charge the battery pack until the left indicator light turns green on the charger or all 4 LED indicators turn green on the battery.

- Disconnect the machine from the power supply (i.e., remove the battery pack) and check for damage after use.
- Clean all foreign material from the machine.
- Do not store the machine with the battery pack installed.
- Store the machine, battery pack, and battery charger in a well-ventilated place that is inaccessible to children.
- Keep the machine, battery pack, and battery charger away from corrosive agents such as garden chemicals and de-icing salts.
- To reduce the risk of serious personal injury, do not store the battery pack outside or in vehicles.
- Store the machine, battery pack, and battery charger in an enclosed clean, dry area.

Troubleshooting

Perform only the steps described in these instructions. All further inspection, maintenance, and repair work must be performed by an authorized service center or a similarly qualified specialist if you cannot solve the problem yourself.

Always remove the battery from the tool when troubleshooting, inspecting, maintaining, or cleaning the tool.

Problem	Possible Cause	Corrective Action
The pole saw does not run or does not run continuously.	<ol style="list-style-type: none">1. The battery pack is low on charge.2. The battery pack is not fully seated.3. The battery pack is over or under the appropriate temperature range.4. The battery pack has exceeded high amperage limits.5. There is moisture on the leads of the battery pack.6. There is debris under the cover.	<ol style="list-style-type: none">1. Charge the battery pack.2. Ensure that the battery pack is inserted all the way into the housing.3. Move the battery pack to a place where it is dry and the temperature is between 5°C (41°F) and 40°C (104°F).4. Release the trigger, then press the trigger switch.5. Allow the battery pack to dry or wipe it dry.6. Remove the cover and clean out any debris.
The pole saw runs, but the chain does not rotate.	<ol style="list-style-type: none">1. The chain is not properly seated on the drive sprocket.2. There is debris under the cover.	<ol style="list-style-type: none">1. Install the chain and ensure that the links are properly seated in the drive sprocket.2. Remove the cover and clean out any debris.

Problem	Possible Cause	Corrective Action
The pole saw does not properly cut.	<ol style="list-style-type: none"> 1. The chain is not tensioned correctly. 2. The chain is dull or damaged. 3. The guide bar is bent or the grooves are damaged. 4. The chain is installed backward. 5. The chain is not being lubricated properly. 	<ol style="list-style-type: none"> 1. Set the proper tension on the chain. 2. Replace the chain. 3. Replace the guide bar 4. Install the chain correctly. 5. Check the oil level and ensure that oil is flowing to the chain.
The chain oil is not lubricating properly.	<ol style="list-style-type: none"> 1. The oil level is low. 2. The oil outlet is plugged. 3. There is debris under the cover. 4. The oil channel or groove in the guide bar is plugged. 	<ol style="list-style-type: none"> 1. Check the oil level. 2. Clean out debris from the oil outlet. 3. Remove the cover and clean out any debris. 4. Clean out debris in the bar.

California Proposition 65 Warning Information

What is this warning?

You may see a product for sale that has a warning label like the following:



WARNING: Cancer and Reproductive Harm—www.p65Warnings.ca.gov.

What is Prop 65?

Prop 65 applies to any company operating in California, selling products in California, or manufacturing products that may be sold in or brought into California. It mandates that the Governor of California maintain and publish a list of chemicals known to cause cancer, birth defects, and/or other reproductive harm. The list, which is updated annually, includes hundreds of chemicals found in many everyday items. The purpose of Prop 65 is to inform the public about exposure to these chemicals.

Prop 65 does not ban the sale of products containing these chemicals but instead requires warnings on any product, product packaging, or literature with the product. Moreover, a Prop 65 warning does not mean that a product is in violation of any product safety standards or requirements. In fact, the California government has clarified that a Prop 65 warning "is not the same as a regulatory decision that a product is 'safe' or 'unsafe.'" Many of these chemicals have been used in everyday products for years without documented harm. For more information, go to <https://oag.ca.gov/prop65/faqs-view-all>.

A Prop 65 warning means that a company has either (1) evaluated the exposure and has concluded that it exceeds the "no significant risk level"; or (2) has chosen to provide a warning based on its understanding about the presence of a listed chemical without attempting to evaluate the exposure.

Does this law apply everywhere?

Prop 65 warnings are required under California law only. These warnings are seen throughout California in a wide range of settings, including but not limited to restaurants, grocery stores, hotels, schools, and hospitals, and on a wide variety of products. Additionally, some online and mail order retailers provide Prop 65 warnings on their websites or in catalogs.

How do the California warnings compare to federal limits?

Prop 65 standards are often more stringent than federal and international standards. There are various substances that require a Prop 65 warning at levels that are far lower than federal action limits. For example, the Prop 65 standard for warnings for lead is 0.5 µg/day, which is well below the federal and international standards.

Why don't all similar products carry the warning?

- Products sold in California require Prop 65 labelling while similar products sold elsewhere do not.
- A company involved in a Prop 65 lawsuit reaching a settlement may be required to use Prop 65 warnings for its products, but other companies making similar products may have no such requirement.
- The enforcement of Prop 65 is inconsistent.
- Companies may elect not to provide warnings because they conclude that they are not required to do so under Prop 65; a lack of warnings for a product does not mean that the product is free of listed chemicals at similar levels.

Why do we include this warning?

Our company has chosen to provide consumers with as much information as possible so that they can make informed decisions about the products they buy and use. We provide warnings in certain cases based on its knowledge of the presence of one or more listed chemicals without evaluating the level of exposure, as not all the listed chemicals provide exposure limit requirements. While the exposure from our products may be negligible or well within the "no significant risk" range, out of an abundance of caution, we have elected to provide the Prop 65 warnings. Moreover, if we do not provide these warnings, it could be sued by the State of California or by private parties seeking to enforce Prop 65 and subject to substantial penalties.

TORO[®]

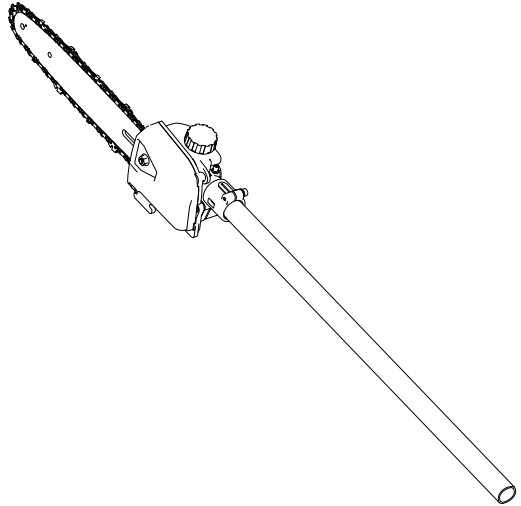
Count on it.

Manual del operador

Accesorio de sierra de pértiga

Accesorio Flex-Force Power
System[®] 60V MAX

Nº de modelo 88714—Nº de serie 326000000 y
superiores





Para obtener ayuda,
consulte los recursos
instruccionales
disponibles en
www.Toro.com/support
o póngase en contacto
con su Servicio Técnico
Autorizado antes de
devolver este producto.

⚠ ADVERTENCIA

CALIFORNIA

Advertencia de la Propuesta 65

El uso de este producto puede provocar la exposición a sustancias químicas que el Estado de California considera causantes de cáncer, defectos congénitos u otros trastornos del sistema reproductor.

Introducción

Este accesorio de sierra de pértiga está diseñado para cortar ramas pequeñas de hasta 15.2 cm (6") de diámetro. Debe ser utilizado únicamente por adultos. Está diseñado para ser usado en combinación con la unidad de potencia de cabezal intercambiable Flex-Force Power System® 60 V MAX, Modelo 51810T. El uso de este producto para otros propósitos que los previstos podría ser peligroso para usted y para otras personas.

Importante: En algunos casos, debe utilizarse un arnés de liberación rápida para asegurar una estabilidad y un equilibrio correctos.

Si se utiliza este accesorio en combinación con la unidad de potencia Modelo 51810T y una batería de 4.0 Ah o más, debe instalar el arnés de liberación rápida Modelo 139-5334 (no incluido).



Lea este manual detenidamente para aprender a utilizar y mantener correctamente su producto, y para evitar lesiones y daños al producto. Usted es responsable de utilizar el producto de forma correcta y segura.

Visite www.Toro.com para obtener más información, incluidos consejos de seguridad, materiales de formación, información sobre accesorios, ayuda para encontrar a un distribuidor o para registrar su producto.

Cuando necesite asistencia técnica, piezas genuinas Toro o información adicional, póngase en contacto con un Servicio Técnico Autorizado o con Atención al cliente de Toro, y tenga a mano los números de modelo y serie de su producto. **Figura 1** identifica la ubicación de los números de modelo y serie en el producto. Escriba los números en el espacio provisto.

Importante: Con su dispositivo móvil, puede escanear el código QR (en su caso) de la place del número de serie para acceder a información sobre la garantía, las piezas, y otra información sobre el producto.

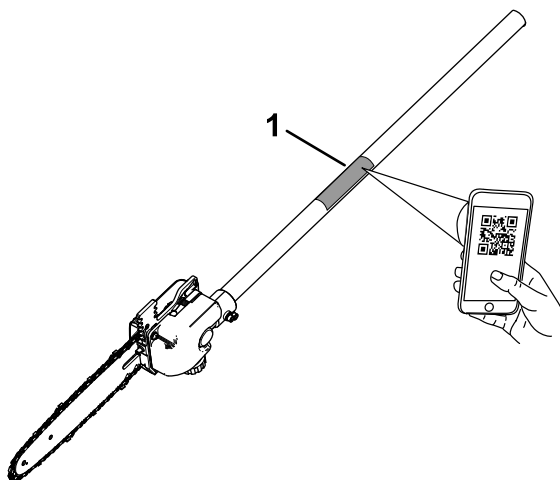


Figura 1

g426291

1. Ubicación de los números de modelo y de serie

Nº de modelo _____
Nº de serie _____

Símbolo de alerta de seguridad

El símbolo de alerta de seguridad (Figura 2) que aparece en este manual y en la máquina identifica mensajes de seguridad importantes que usted debe observar para evitar accidentes.



Figura 2

Símbolo de alerta de seguridad

g000502

El símbolo de alerta de seguridad aparece encima de información que le alerta ante acciones o situaciones inseguras, y va seguido de la palabra **PELIGRO, ADVERTENCIA, o CUIDADO**.

PELIGRO: Indica una situación peligrosa inminente, que si no se evita, **causará** la muerte o lesiones graves.

ADVERTENCIA indica una situación potencialmente peligrosa que si no se evita, **podría** causar la muerte o lesiones graves.

CUIDADO: Indica una situación potencialmente peligrosa que si no se evita, **podría** causar lesiones menores o moderadas.

Este manual utiliza dos palabras más para resaltar información.

Importante llama la atención sobre información mecánica especial, y

Nota resalta información general que merece una atención especial.

La unidad de potencia Modelo 51810T es compatible con una variedad de accesorios homologados por Toro que, en combinación, cumplen unas normas específicas; consulte la tabla siguiente para obtener más detalles.

Combinación	Modelo de la unidad de potencia	Modelo del accesorio	Norma
Desbrozadora de hilo	51810T	88716	Cumple UL STD 82 Certificado según CSA STD C22.2 N.º 147
Cortabordes	51810T	88710	Cumple UL STD 82 Certificado según CSA STD C22.2 N.º 147
Sierra de pértiga	51810T	88714	Cumple UL STD 82 Certificado según CSA STD C22.2 N.º 147
Motoazada	51810T	88715	Cumple UL STD 82 Certificado según CSA STD C22.2 N.º 147
Cortasetos	51810T	88713	Cumple UL STD 62841-4-2 Certificado según CSA STD C22.2 62841-4-2

Seguridad

⚠ ADVERTENCIA

Lea todas las instrucciones, ilustraciones, especificaciones y advertencias de seguridad proporcionadas con esta herramienta eléctrica.

El hacer caso omiso de todas las instrucciones enumeradas a continuación puede dar lugar a descargas eléctricas, incendios y/o lesiones graves.

Guarde todas las advertencias e instrucciones para su referencia futura.

El término “herramienta eléctrica” que aparece en las advertencias se refiere siempre a una herramienta accionada por el suministro eléctrico de la red (con cable) o una herramienta eléctrica accionada por batería (sin cable).

INSTRUCCIONES DE SEGURIDAD IMPORTANTES

I. Seguridad de la zona de trabajo

- 1. Mantenga la zona de trabajo limpia y bien iluminada.** *Las zonas desordenadas u oscuras son una invitación al accidente.*
- 2. No utilice herramientas eléctricas en atmósferas explosivas, como por ejemplo en presencia de líquidos inflamables, gases o polvo.** *Las herramientas eléctricas crean chispas que pueden inflamar el polvo o los vapores.*
- 3. Mantenga alejados a niños y otras personas mientras utiliza una herramienta eléctrica.** *Las distracciones pueden hacer que pierda el control.*

II. Seguridad eléctrica

- 1. La clavija de la herramienta eléctrica debe ser del tipo correcto para el enchufe. Nunca modifique el enchufe en modo alguno. No utilice ningún tipo de adaptadores de enchufe con herramientas eléctricas con toma de tierra.** *El uso de clavijas sin modificar y enchufes apropiados reducirá el riesgo de descarga eléctrica.*

2. **Evite tocar superficies conectadas a tierra, tales como tuberías, radiadores, cocinas y refrigeradores.** *Hay un mayor riesgo de descarga eléctrica si su cuerpo hace tierra.*
3. **No exponga las herramientas eléctricas a la lluvia o a condiciones húmedas.** *Si entra agua en una herramienta eléctrica, el riesgo de descarga eléctrica aumenta.*
4. **No maltrate el cable. No utilice el cable nunca para transportar, arrastrar o desenchufar la herramienta eléctrica. Mantenga el cable alejado del calor, del aceite, de bordes cortantes y de piezas móviles.** *Los cables dañados o enredados aumentan el riesgo de descarga eléctrica.*
5. **Si utiliza una herramienta eléctrica en el exterior, utilice un cable alargador adecuado para el uso en exteriores.** *El uso de un cable apropiado para el uso en exteriores reduce el riesgo de descarga eléctrica.*
6. **Si no es posible evitar el uso de una herramienta eléctrica en un lugar húmedo, utilice un suministro eléctrico protegido por un dispositivo de corriente residual (RCD).** *El uso de un RCD reduce el riesgo de descarga eléctrica.*

III. Seguridad personal

1. **Manténgase alerta, esté atento a lo que está haciendo y utilice el sentido común mientras utiliza una herramienta eléctrica. No utilice una herramienta eléctrica si está cansado o bajo la influencia de drogas, alcohol o medicamentos.** *Una breve falta de atención mientras utiliza una herramienta eléctrica podría provocar lesiones personales graves.*
2. **Utilice equipos de protección personal. Lleve siempre protección ocular.** *El uso de equipos de protección personal como mascarillas, calzado de seguridad antideslizante, casco y protección auditiva en condiciones apropiadas reduce el riesgo de lesiones personales.*
3. **Evite el encendido accidental. Asegúrese de que el interruptor está en la posición de APAGADO antes de conectar la herramienta a la toma de corriente y/o a la batería, y antes de levantar o transportar la herramienta.** *Transportar las herramientas eléctricas con el dedo sobre el interruptor o enchufar herramientas eléctricas con el interruptor en la posición de encendido es una invitación al accidente.*
4. **Retire cualquier llave de ajuste antes de encender la herramienta eléctrica.** *Una llave olvidada en un componente giratorio de una herramienta eléctrica puede dar lugar a lesiones personales.*

5. **No intente alcanzar zonas demasiado alejadas. Pise firme y mantenga el equilibrio en todo momento.** *Esto permite un mayor control de la herramienta en situaciones imprevistas.*
6. **Utilice la ropa adecuada. No lleve ropas o joyas sueltas. Mantenga el pelo y la ropa alejados de las piezas móviles.** *La ropa suelta, las joyas y el pelo largo pueden quedar atrapados en piezas móviles.*
7. **Si existen dispositivos para la conexión de sistemas de recogida y extracción de polvo, asegúrese de conectarlos y usarlos correctamente.** *El uso de dispositivos de recolección de polvo puede reducir los riesgos asociados con el polvo.*
8. **No deje que la familiaridad adquirida con el uso frecuente de las herramientas le haga confiarse demasiado y pasar por alto los principios de seguridad de las herramientas.** *Una acción descuidada puede causar lesiones graves en una fracción de un segundo.*

IV. Uso y cuidado de las herramientas eléctricas

1. **No fuerce la herramienta eléctrica. Utilice la herramienta eléctrica adecuada para el trabajo a realizar.** *La herramienta eléctrica correcta realizará el trabajo mejor y con mayor seguridad a la velocidad para la que fue diseñada.*
2. **No utilice la herramienta eléctrica si el interruptor no la enciende y apaga.** *Cualquier herramienta eléctrica que no pueda ser controlada con el interruptor es peligrosa y debe ser reparada.*
3. **Desconecte la clavija del suministro eléctrico y/o extraiga la batería, si es extraíble, de la herramienta eléctrica antes de realizar cualquier ajuste, cambiar de accesorio o almacenar la herramienta.** *Estas medidas de seguridad preventivas reducen el riesgo de un arranque accidental de la herramienta eléctrica.*
4. **Si no la está usando, guarde la herramienta eléctrica fuera del alcance de los niños, y no permita que la utilicen personas no familiarizadas con la herramienta eléctrica o con estas instrucciones de uso.** *Las herramientas eléctricas son peligrosas en manos de usuarios inexpertos.*
5. **Mantenimiento de las herramientas eléctricas y los accesorios.** **Compruebe que las piezas móviles están correctamente alineadas y que se mueven libremente sin agarrotarse, que no hay piezas rotas, y que no hay otras circunstancias que podrían afectar al uso de la herramienta eléctrica.** **Si existen daños, haga reparar la herramienta eléctrica antes de usarla.**

Muchos accidentes se deben a un mantenimiento deficiente de las herramientas eléctricas.

6. **Mantenga las herramientas de corte afiladas y limpias.** *Una herramienta de corte bien mantenida con filos bien afilados es más fácil de controlar y hay menos probabilidades de que se agarrote.*
7. **Utilice la herramienta eléctrica, los accesorios, las brocas, etc., según lo indicado en estas instrucciones, teniendo en cuenta las condiciones de trabajo y el trabajo a realizar.** *El uso de la herramienta eléctrica para operaciones diferentes de las previstas podría dar lugar a una situación de peligro.*
8. **Mantenga las asas, empuñaduras y otras superficies de agarre secas, limpias y libres de aceite y grasa.** *Una asa o superficie de agarre resbaladiza no permite manejar y controlar la herramienta con seguridad en situaciones imprevistas.*

V. Uso y cuidado de las herramientas a batería

1. **Recargar únicamente con el cargador especificado por el fabricante.** *Un cargador diseñado para un tipo de batería puede crear un riesgo de incendio si se utiliza con otra batería.*
2. **Utilice las herramientas eléctricas únicamente con las baterías específicas indicadas.** *El uso de otra batería puede crear un riesgo de incendio y lesiones.*
3. **Cuando la batería no está en uso, manténgala alejada de otros objetos metálicos, como por ejemplo clips, monedas, llaves, puntillas u otros objetos metálicos pequeños, que podrían hacer una conexión entre un terminal y otro.** *Un cortocircuito entre los terminales de la batería puede causar quemaduras o un incendio.*
4. **En condiciones de uso incorrecto, puede haber una fuga de líquido de la batería; evite el contacto con dicho líquido. En caso de un contacto accidental, lavar con abundante agua. Si el líquido entra en contacto con los ojos, busque también ayuda médica.** *El líquido expulsado de la batería puede causar irritación o quemaduras.*
5. **No utilice una batería o una herramienta dañada o modificada.** *Las baterías dañadas o modificadas podrían mostrar un comportamiento impredecible con resultado de incendio, explosión o riesgo de lesiones.*
6. **No exponga una batería o un cargador al fuego o a temperaturas excesivas.** *La exposición al fuego o a temperaturas superiores a los 130 °C (265 °F) puede causar una explosión.*

7. **Siga todas las instrucciones de carga y no cargue la batería o la herramienta si la temperatura está fuera del intervalo especificado en las instrucciones.** *El cargar de forma incorrecta o a temperaturas fuera del intervalo especificado puede dañar la batería y aumentar el riesgo de incendio.*

VI. Mantenimiento

1. **El mantenimiento de su herramienta eléctrica debe ser realizado por un técnico de reparaciones debidamente cualificado, utilizando únicamente piezas de repuesto idénticas.** *Sólo de esta manera se garantiza el mantenimiento de la seguridad de la herramienta eléctrica.*
2. **No realice ningún tipo de mantenimiento en una batería dañada.** *El mantenimiento de las baterías sólo debe ser realizado por el fabricante o por un servicio técnico autorizado.*

VII. Seguridad en el manejo de la sierra de pértiga

1. **Mantenga todas las partes del cuerpo alejadas de la cadena de la motosierra mientras la podadora de altura está en marcha.** **Antes de arrancar la podadora de altura, asegúrese de que la cadena de la sierra no toca ningún objeto.** *Una breve falta de atención mientras se utiliza una podadora de altura puede provocar que se le enrede la ropa o partes del cuerpo en la cadena de la sierra.*
2. **Utilice siempre las dos manos para manejar la podadora de altura.** *Sujete la podadora de altura con ambas manos para evitar perder el control.*
3. **Para reducir el riesgo de electrocución, no utilice nunca la podadora de altura cerca de ninguna línea eléctrica.** *El contacto con o el uso cerca de las líneas eléctricas puede causar lesiones graves o descargas eléctricas que resulten en la muerte.*
4. **Sujete la podadora de altura únicamente por las superficies de agarre aisladas, porque la cadena de la sierra podría entrar en contacto con cables ocultos.** *Si la cadena de la motosierra entra en contacto con un cable con corriente, las partes metálicas expuestas de la podadora de altura también tendrán corriente y el operador podría recibir una descarga eléctrica.*
5. **Lleve protección ocular y auditiva.** **Se recomienda además el uso de equipos de protección para las manos y calzado antideslizante.** *El uso de equipos de protección apropiados reduce el riesgo de lesiones personales.*

6. **Utilice siempre protección para la cabeza mientras utiliza la podadora de altura por encima de la cabeza.** *La caída de ramas o restos puede causar lesiones personales graves.*
7. **Siempre pise firme y utilice la podadora de altura únicamente cuando esté en una superficie fija, segura y nivelada.** *Las superficies resbaladizas o inestables pueden hacerle perder el equilibrio o el control de la máquina.*
8. **No utilice una podadora de altura subido a un árbol, sobre una escalera, desde un tejado o desde cualquier soporte inestable.** *Estas maneras de usar la podadora de altura pueden provocar una pérdida de equilibrio, una pérdida de control y lesiones personales.*
9. **Mantenga todos los cables eléctricos alejados de la zona de corte.** *Los cables eléctricos pueden quedar ocultos entre las ramas de los árboles y podrían ser cortados accidentalmente por la cadena de la sierra.*
10. **No utilice la podadora de altura en condiciones meteorológicas adversas, especialmente si hay riesgo de rayos.** *Esto reduce el riesgo de ser alcanzado por un rayo.*
11. **Al cortar una rama que esté bajo tensión, tenga cuidado por si se libera la rama repentinamente.** *Al liberarse la tensión de las fibras de la madera, la rama puede rebotar y golpear al operador y/o descontrolar la podadora de altura.*
12. **Extreme las precauciones al cortar maleza y árboles jóvenes.** *El material fino puede engancharse en la cadena de la motosierra y salir despedido como un latigazo hacia usted o hacerle perder el equilibrio.*
13. **Mientras transporta la podadora de altura con la máquina apagada, tenga cuidado de no accionar ningún interruptor de alimentación, y lleve la sierra con la cadena o la cuchilla alejada del cuerpo.** *Transportar correctamente la podadora de altura reducirá la posibilidad de contacto accidental con la cadena de la sierra.*
14. **Antes de transportar o guardar la podadora de altura, coloque siempre la funda de la espada.** *Un manejo correcto de la podadora de altura reducirá la posibilidad de contacto accidental con la cadena de la motosierra en movimiento.*
15. **Antes de eliminar material atascado, almacenar o realizar tareas de mantenimiento en la podadora de altura, asegúrese de que el interruptor está apagado y la batería ha sido retirada.** *La activación inesperada de la podadora de altura durante la*

eliminación de material atascado o durante el mantenimiento puede causar lesiones personales graves.

16. **Corte únicamente madera. No utilice la podadora de altura para fines diferentes a los previstos. Por ejemplo, no utilice la podadora de altura para cortar materiales de construcción de plástico, mampostería o de otros materiales que no sean madera. El uso de la podadora de altura para operaciones diferentes de las previstas podría dar lugar a una situación de peligro.**
17. **Transporte la sierra de pértiga con ambas manos, y con la sierra de pértiga apagada y alejada del cuerpo. Antes de transportar o almacenar la sierra de pértiga, coloque siempre la funda de la espada. Un manejo correcto de la sierra de pértiga reducirá la posibilidad de contacto accidental con la cadena en movimiento de la sierra.**
18. **No retire el material cortado ni sujete el material a cortar mientras la cadena de la sierra está en movimiento. Asegúrese de que el interruptor está apagado y la batería está desconectada antes de despejar cualquier obstrucción. La cadena de la sierra sigue moviéndose después de apagarse el interruptor.**
19. **Siga las instrucciones de lubricación, tensado de la cadena y cambio de la cadena y la espada. Una cadena tensada o lubricada incorrectamente puede romperse o aumentar las posibilidades de que se produzca un contragolpe.**
20. **Esta sierra de pértiga no está diseñada para talar árboles. El uso de la sierra de pértiga para operaciones diferentes de las previstas podría dar lugar a lesiones graves al operador o a otras personas.**
21. **Evite los contragolpes. Pueden producirse contragolpes si la punta o el extremo de la espada toca un objeto, o cuando la madera aprieta y aprisiona la motosierra durante el corte.**

En algunos casos, un contacto con la punta puede causar una reacción inversa repentina y hacer que salte la espada hacia arriba y atrás, hacia usted.

Si el borde superior de la espada de la motosierra queda aprisionada, la espada puede ser empujada con rapidez hacia atrás, hacia usted.

Cualquiera de estas dos reacciones puede causar una pérdida de control de la sierra y lesiones personales graves. No confíe únicamente en los dispositivos de seguridad integrados en la sierra. Como usuario de una sierra de pértiga, usted debe tomar varias medidas para evitar accidentes o lesiones en los trabajos de corte.

Un contragolpe es el resultado del uso incorrecto de la herramienta o de procedimientos o condiciones de operación incorrectos y puede evitarse si se toman las precauciones siguientes:

22. **Agarre la sierra de pértiga firmemente con las dos manos, con los pulgares y demás dedos rodeando las empuñaduras de la sierra, y ubique el cuerpo y el brazo de un modo que le permita resistir las fuerzas de los contragolpes.** *El operador puede controlar los contragolpes si toma las precauciones adecuadas. No suelte la sierra de pértiga.*
23. **Utilice solamente las espadas y cadenas de repuesto especificadas por el fabricante.** *Las espadas y cadenas de repuesto incorrectas pueden causar la rotura de la cadena y/o contragolpes.*
24. **Siga las instrucciones del fabricante para afilar y mantener la cadena de la motosierra.** *La reducción de la altura del indicador de profundidad puede aumentar los contragolpes.*




GUARDE ESTAS INSTRUCCIONES











Símbolos de las calcomanías



Las calcomanías de seguridad e instrucciones están a la vista del operador y están ubicadas cerca de cualquier zona de peligro potencial. Sustituya cualquier calcomanía que esté dañada o que falte.

En las siguientes tablas se describen los símbolos de seguridad que aparecen en las calcomanías.

Símbolo de la calcomanía de la sierra de pértiga	Explicación
	Peligro de corte/desmembramiento de manos
	Peligro de descarga eléctrica
	Advertencia

	No exponga a la lluvia.
	Manténgase alejado de las piezas en movimiento.
	Manténgase alejado de las líneas de energía eléctrica.
	Mantenga alejadas a otras personas.
	Lea el <i>Manual del operador</i> .
	Lleve un casco.
	Lleve protección ocular.
	Lleve protección auditiva.
	Lleve guantes.
	Lleve calzado resistente y antideslizante.

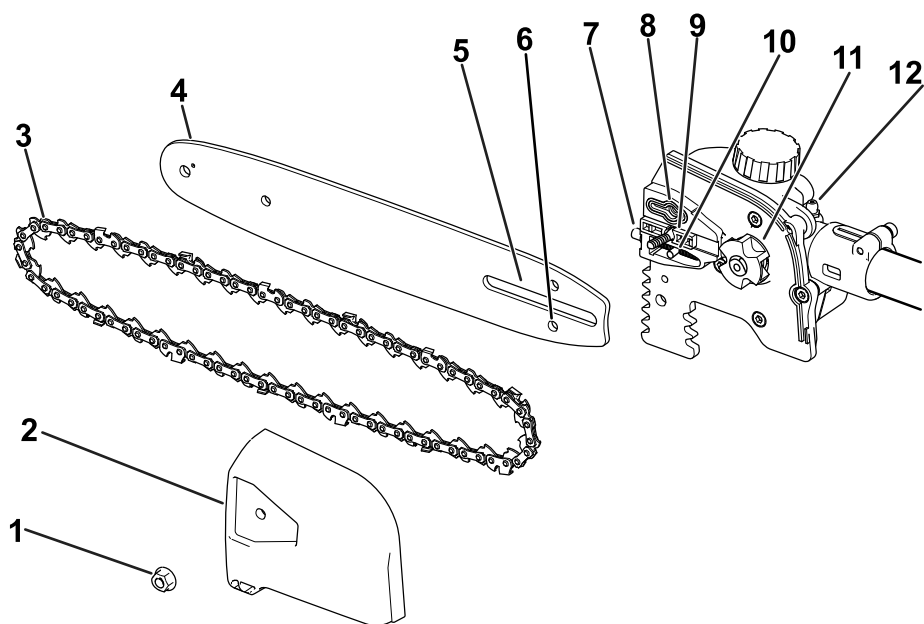
Montaje

Instalación de la espada y la cadena

⚠ PELIGRO

Cualquier contacto con los dientes de la sierra de pértiga puede causar lesiones personales graves.

- **Retire la batería antes de realizar cualquier ajuste o mantenimiento de la sierra de pértiga.**
 - **Siempre use guantes cuando realice cualquier ajuste o mantenimiento de la sierra de pértiga.**
1. Coloque la sierra de pértiga en una superficie plana y no instale la batería.
 2. Retire la cubierta lateral; gire el tornillo de la cubierta en sentido antihorario hasta que el tornillo quede libre, y luego retire la cubierta lateral ([Figura 3](#)).



g586538

Figura 3

- | | | |
|--------------------------|--|---------------------------------------|
| 1. Tuerca de la tapa | 5. Ranura de la espada | 9. Espárrago de la funda de la espada |
| 2. Cubierta de la cadena | 6. Ranura del espárrago de ajuste de la cadena | 10. Espárrago de ajuste de la cadena |
| 3. Cadena | 7. Tornillo tensor de la cadena | 11. Piñón de arrastre |
| 4. Espada | 8. Salida de aceite | 12. Engrasador |

3. Coloque la cadena alrededor del piñón de arrastre en el extremo delantero de la espada, con el filo de corte de los dientes del tramo superior de la espada orientado hacia adelante, como se muestra en el diagrama situado bajo la cubierta lateral de la sierra de pértiga.
4. Siga colocando la cadena alrededor de la espada, alojando la cadena en la ranura de la espada.
5. Coloque el bucle abierto de la cadena (la parte que no está montada en la espada) alrededor del piñón de arrastre de la sierra de pértiga (Figura 3).

Importante: Asegúrese de introducir el espárrago de ajuste de la cadena en la ranura del espárrago de ajuste de la cadena de la espada (Figura 3).

Puede ser necesario girar el tornillo tensor de la cadena para poder introducir el espárrago en la ranura de la espada (Figura 14).

6. Instale la cubierta lateral y el tornillo de la cubierta, y apriete provisionalmente la cubierta lateral girando el tornillo en sentido horario.
7. Ajuste la tensión de la cadena; consulte [Ajuste de la tensión de la cadena](#) (página 30).

Conexión del accesorio a la unidad de potencia

1. Instale el tubo cuadrado del accesorio en el tubo cuadrado de la unidad de potencia (Figura 4, A).
2. Alinee el botón de bloqueo de la barra inferior con el orificio ranurado de la barra superior, y junte las dos barras (Figura 4, B y C).

Nota: El botón de bloqueo encaja en el orificio ranurado al juntarse las barras (Figura 4, C).

3. Usando la maneta, apriete el tornillo del conector de la barra hasta que quede firme (Figura 4, D).

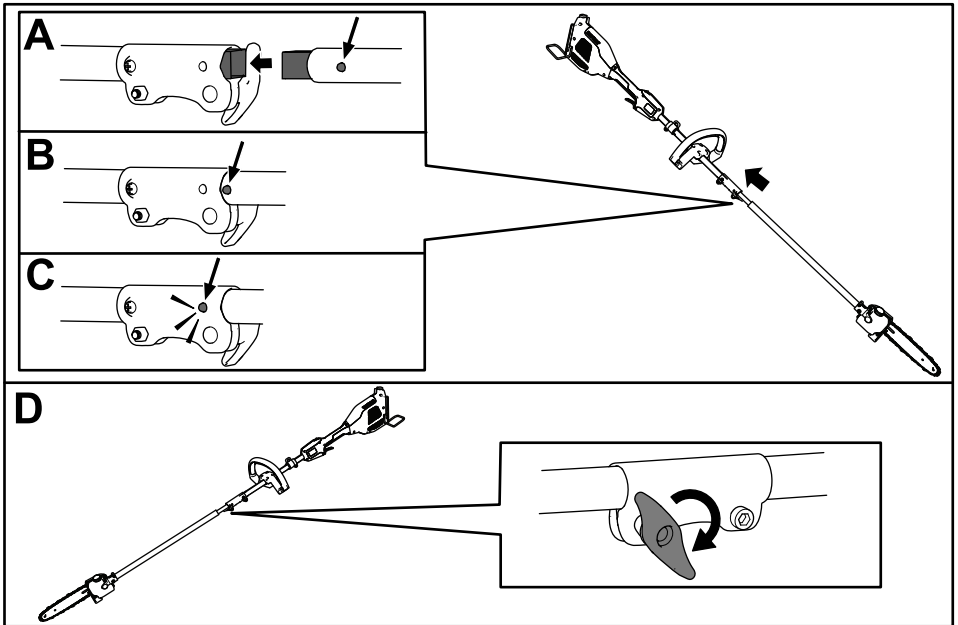


Figura 4

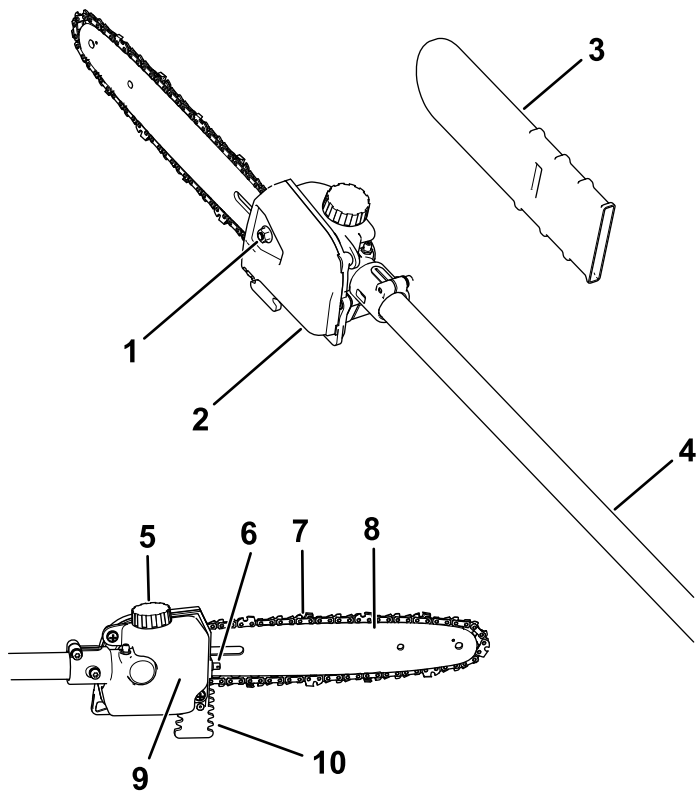
g586537

Añadir aceite para cadenas de motosierra a la sierra de pértiga

Importante: Utilice únicamente aceite para cadenas de motosierra (se vende por separado).

Llene la sierra de pértiga con aceite para cadenas de motosierra antes del primer uso; consulte [Cómo comprobar el nivel de aceite y añadir aceite para cadenas \(página 28\)](#).

El producto



g358797

Figura 5

- | | |
|--------------------------------------|---------------------------------|
| 1. Tornillo de la funda | 6. Tornillo tensor de la cadena |
| 2. Cubierta de la cadena | 7. Cadena |
| 3. Funda de la espada | 8. Espada |
| 4. Barra | 9. Depósito de aceite |
| 5. Tapón del depósito de combustible | 10. Garras de tope |

Especificaciones

Modelo	88714, se acopla al 51810T
Longitud de la espada (equipada con 88619 y 88621)	25.4 cm (10")
Galga de la cadena (equipada con 88619 y 88621)	0.13 cm (0.050")
Paso de la cadena (equipada con 88619 y 88621)	0.64 cm (1/4")
Longitud de la cadena (equipada con 88619 y 88621)	58 eslabones
Voltaje nominal	Máximo 60 VCC , uso nominal 54 VCC
Peso (sin batería)	4.2 kg (9.3 libras)
Tipo de cargador	Cargadores de ion litio Flex-Force 60 V
Tipo de batería	Baterías de ion litio Flex-Force 60 V*

*Si utiliza esta máquina con una batería de 4.0 Ah o más, debe instalar el arnés de liberación rápida modelo 139-5334 (no incluido).

Intervalos de temperatura adecuados

Cargue/guarde la batería a	5 °C a 40 °C (41 °F a 104 °F)*
Utilice la batería a	Entre -30 °C y 49 °C (-22 °F y 120 °F)*
Utilice la herramienta a	0 °C – 49 °C (32 °F – 120 °F)*

*El tiempo de carga será mayor si la temperatura no está en este intervalo durante la carga.

Guarde la herramienta, la batería y el cargador en un lugar cerrado, limpio y seco.

Accesorios

Está disponible una selección de aperos y accesorios homologados por Toro que se pueden utilizar con la máquina a fin de potenciar y aumentar sus prestaciones. Póngase en contacto con su Servicio Técnico Autorizado o con su distribuidor autorizado Toro, o visite www.Toro.com para obtener una lista de todos los aperos y accesorios homologados.

Para asegurar un rendimiento óptimo y mantener la certificación de seguridad de la máquina, utilice solamente piezas y accesorios genuinos Toro. Las piezas de repuesto y los accesorios de otros fabricantes podrían ser peligrosos.

Operación

Antes de usar la sierra de pértiga

Antes de usar la sierra de pértiga, haga lo siguiente:

- Compruebe la tensión de la cadena; consulte [Ajuste de la tensión de la cadena \(página 30\)](#).
- Limpie los componentes de la sierra de pértiga, compruebe que no haya daños o desgaste excesivo, y sustitúyalos si es necesario; consulte [Mantenimiento de la espada, la cadena y el piñón de arrastre \(página 34\)](#).
- Compruebe que la cadena está afilada y que no está dañada, y afílela o sustitúyala según sea necesario; consulte [Cómo afilar la cadena \(página 37\)](#).
- Compruebe el nivel de aceite; consulte [Cómo comprobar el nivel de aceite y añadir aceite para cadenas \(página 28\)](#).
- Inspeccione la sierra de pértiga en busca de daños, y compruebe su aspecto general y su rendimiento; asegúrese de que los interruptores se mueven libremente, los orificios de ventilación y las empuñaduras están limpios, y que la espada no está doblada o dañada.

Arranque del accesorio

1. Compruebe que los orificios de ventilación del accesorio, de la unidad de potencia y de la batería están libres de polvo y residuos.
2. Alinee el hueco de la batería con la lengüeta del alojamiento de la empuñadura ([Figura 6](#)).

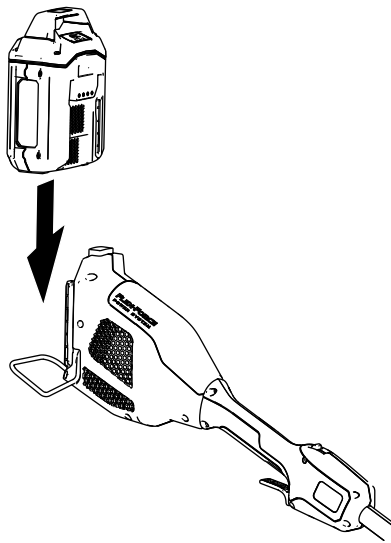


Figura 6

g357444

3. Introduzca la batería en la empuñadura hasta la batería encaje en el cierre.
4. Para arrancar el accesorio, presione el botón de bloqueo y apriete el gatillo de accionamiento (Figura 7).

Nota: Mueva el interruptor de 2 velocidades para cambiar la velocidad del accesorio.

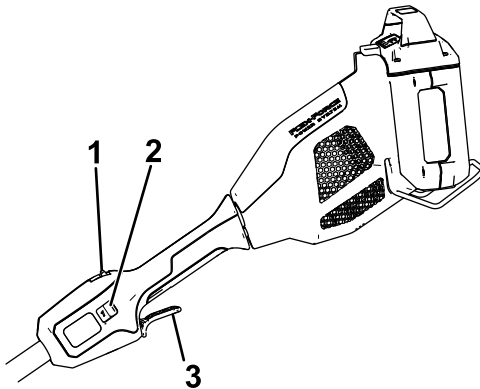


Figura 7

g357456

1. Botón de bloqueo
2. Interruptor de 2 velocidades
3. Gatillo de accionamiento

Apagado de la sierra de pértiga

Para apagar la sierra de pértiga, suelte el gatillo.

Cuando no esté utilizando la sierra de pértiga o la esté transportando hacia o desde el área de trabajo, retire la batería e instale la funda de la espada.

Retirada de la batería de la unidad de potencia

Presione el cierre de la batería en la máquina para liberar la batería, y retire la batería de la máquina (Figura 8).

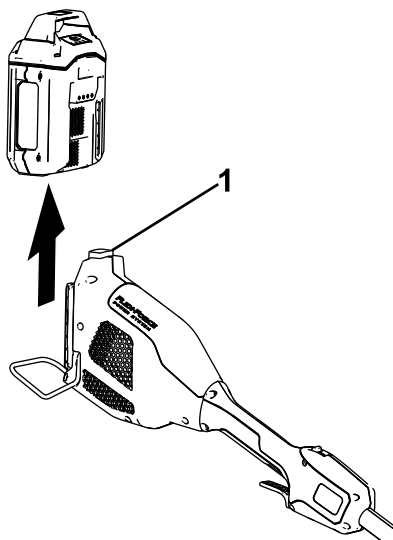


Figura 8

g357457

1. Cierre de la batería

Retirada del accesorio de la unidad de potencia

1. Asegúrese de que la batería ha sido retirada de la unidad de potencia; consulte [Retirada de la batería de la unidad de potencia](#) (página 23).
2. Afloje la maneta del conector de la barra (Figura 5).
3. Presione el botón de bloqueo hacia abajo y separe las dos barras (Figura 5).

Cómo cortar con la sierra de pértiga

⚠ ADVERTENCIA

El manejo incorrecto de la sierra de pértiga puede causar lesiones personales graves o la muerte.

Lea atentamente y siga todas las instrucciones de uso con el fin de evitar posibles lesiones personales.

⚠ ADVERTENCIA

No utilice la máquina cerca de tendidos eléctricos; la sierra de pértiga no ha sido diseñada para proporcionar protección contra descargas eléctricas en caso de contacto con líneas eléctricas aéreas.

Consulte la normativa local respecto a las distancias segura de las líneas eléctricas aéreas, y asegúrese de que el lugar de trabajo es seguro antes de utilizar la sierra de pértiga.

⚠ ADVERTENCIA

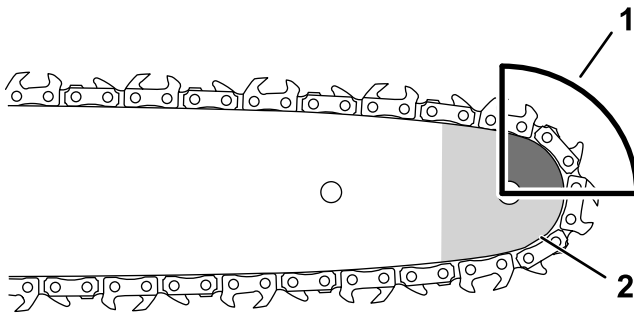
Un contragolpe puede causarle lesiones personales graves o mortales.

Evite tocar los objetos a cortar con la punta de la espada de la sierra de pértiga.

Existen 2 tipos de contragolpe:

- Un movimiento rápido de la sierra de pértiga hacia **arriba**, que se produce cuando la cadena toca un objeto con la punta o el tramo superior de la espada.
- Un movimiento rápido de la sierra de pértiga **hacia atrás**, que se produce cuando el objeto que se está cortando aprisiona la cadena en la punta o en el tramo superior de la espada.

La [Figura 9](#) muestra la zona de la espada que no debe hacer contacto con un objeto para evitar contragolpes.



g318677

Figura 9

1. Zona del contragolpe (punta, borde superior de la espada) 2. Punta superior de la espada)

1. Sujete la sierra de pértiga con ambas manos.
2. Sitúese en un terreno firme y uniforme delante del árbol a podar, y adopte una posición equilibrada y estable para el corte.
3. Asegúrese de cortar únicamente la madera que tiene previsto cortar; no deje que la cadena de la motosierra toque la tierra, otros troncos u otros objetos mientras corte.
4. Asegúrese de que la cadena de la motosierra gira a máxima velocidad antes de empezar a cortar.
5. Corte con la rama cerca de la parte trasera de la espada, cerca de la guía de corte; presione la cadena de la sierra ligeramente contra la madera y deje que el peso de la sierra de pértiga dirija el corte (Figura 10).

Importante: Si la cadena se atora en el corte, no intente liberarla haciendo funcionar el motor. Apague la sierra de pértiga, retire la batería y levante la rama mientras sujeta la sierra; esto debe abrir el corte y liberar la sierra de pértiga.

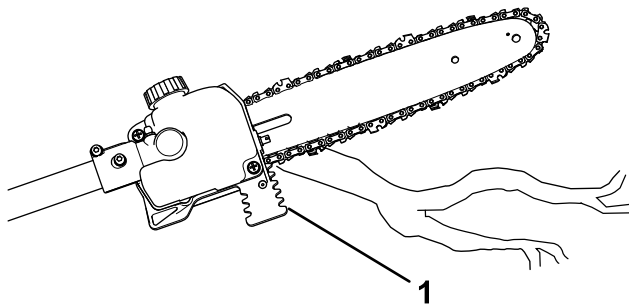


Figura 10

g358883

1. Guía de corte

6. Mantenga una presión constante sobre la sierra de pértiga, cortando en línea recta, y deje de presionar solamente cerca del final del corte.
7. Suelte el gatillo en cuanto termine el corte.

Poda de árboles

⚠ ADVERTENCIA

Las ramas más altas de un árbol deben cortarse desde el suelo; si no, puede encontrarse en una posición inestable que podría ser peligrosa mientras manipula una sierra de pértiga, causando posibles lesiones personales graves o la muerte a usted o a otras personas.

Para cortar ramas de un árbol en pie, utilice las siguientes prácticas:

- No trepe sobre las ramas con la sierra de pértiga.
 - No estire demasiado los brazos o el cuerpo, y corte con ambas manos en la sierra de pértiga.
 - Asegúrese de que no haya nadie en la zona en la que puedan caer ramas.
1. Sujete la sierra de pértiga como se describe en [Cómo cortar con la sierra de pértiga \(página 24\)](#).
 2. Cuando corte ramas pequeñas, aplique una presión ligera contra la rama a cortar.

3. Cuando corte ramas más grandes, haga un corte de poca profundidad en la parte inferior y luego complete el corte desde la parte superior de la rama.
 - A. Corte desde la parte inferior de la rama a 15 cm (6") aproximadamente del tronco. Corte un tercio del grosor de la rama.
 - B. Haga otro corte desde arriba, alejándose 5 a 10 cm (2" a 4") más del tronco. Corte la rama hasta que caiga.
 - C. Corte el muñón de la rama en el cuello de la rama (Figura 11).

Importante: No corte la rama más allá del cuello, a ras del tronco, ni deje un muñón grande; esto dañaría el árbol.

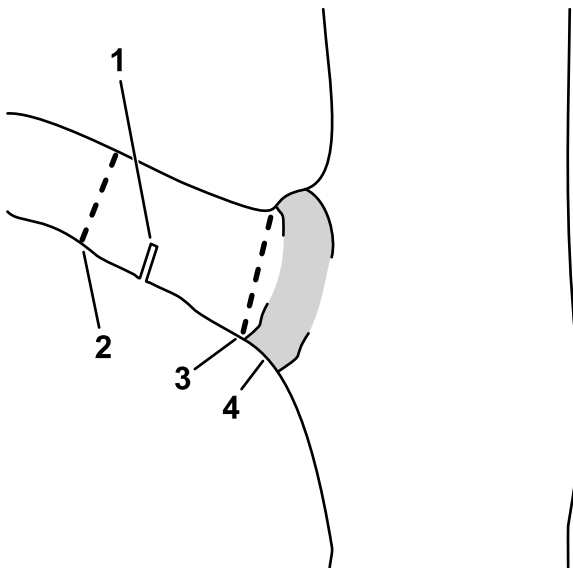


Figura 11

g316577

1. Primer corte en el lado inferior
2. Segundo corte completo
3. Corte de poda final para eliminar el muñón
4. Cuello de la rama (transición entre la rama y el tronco)

Mantenimiento

Calendario recomendado de mantenimiento

Intervalo de mantenimiento y servicio	Procedimiento de mantenimiento
Cada vez que se utilice o diariamente	<ul style="list-style-type: none">• Compruebe el nivel de aceite y añada aceite para cadenas de motosierra si es necesario.• Compruebe que el aceite fluye hasta la cadena.• Compruebe la tensión de la cadena y ajústela si es necesario.• Asegúrese de que la espada está recta y libre de daños• Compruebe si la cadena está afilada; póngase en contacto con un Servicio Técnico Autorizado para que afilen o sustituyan la cadena.
Después de cada ciclo de descarga de la batería	<ul style="list-style-type: none">• Compruebe el nivel de aceite y añada aceite para cadenas de motosierra si es necesario.• Compruebe la tensión de la cadena y ajústela si es necesario.
Cada 10 horas	<ul style="list-style-type: none">• Engrase de la sierra de pértiga.
Cada año o antes del almacenamiento	<ul style="list-style-type: none">• Revise la espada, la cadena y el piñón de arrastre.• Compruebe si la cadena está afilada; póngase en contacto con un Servicio Técnico Autorizado para que afilen o sustituyan la cadena.

Cómo comprobar el nivel de aceite y añadir aceite para cadenas

Intervalo de mantenimiento: Cada vez que se utilice o diariamente

Después de cada ciclo de descarga de la batería

Importante: Utilice únicamente aceite para cadenas de motosierra (se vende por separado).

1. Apague la sierra de pértiga y retire la batería; consulte [Retirada de la batería de la unidad de potencia \(página 23\)](#).
2. Coloque la sierra de pértiga en una superficie plana con el tapón de aceite hacia arriba.

3. Compruebe el nivel de aceite del depósito; si el aceite no llega a la línea MIN del depósito de aceite, añada la cantidad necesaria de aceite para cadenas.

4. Limpie la zona alrededor del tapón de aceite ([Figura 9](#)).

Nota: No deje que entren residuos o astillas de madera en el depósito de aceite.

5. Retire el tapón del depósito de aceite girándolo en sentido antihorario, y vierta aceite para cadenas en la sierra de pértiga hasta que el aceite llegue a la línea MAX del depósito de aceite ([Figura 9](#)).

Importante: No llene la sierra de pértiga por encima de la línea MAX del depósito de aceite.

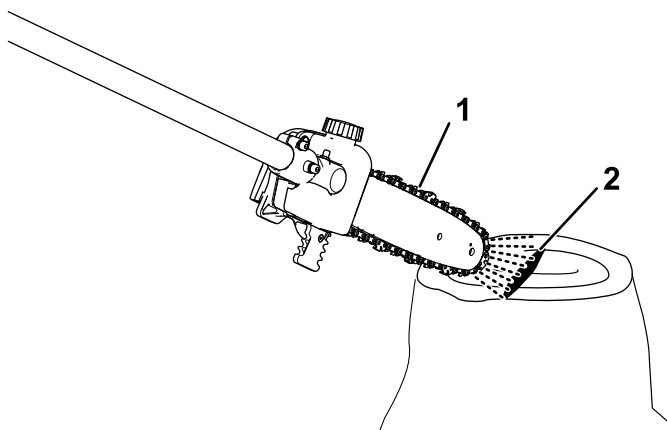
6. Limpie el aceite que se haya derramado y coloque firmemente el tapón.

7. Asegúrese de que el aceite fluye hasta la cadena; consulte [Comprobación del flujo de aceite de la cadena \(página 29\)](#).

Comprobación del flujo de aceite de la cadena

Intervalo de mantenimiento: Cada vez que se utilice o diariamente

1. Prepare la sierra de pértiga para el uso; consulte [Antes de usar la sierra de pértiga \(página 21\)](#).
2. Para asegurarse de que el aceite fluye hasta la cadena, coloque la punta de la sierra de pértiga a unos centímetros de una superficie (por ejemplo, papel, cartón, un tocón) y arranque la sierra de pértiga; debe poder ver una pulverización ligera de aceite en la superficie ([Figura 12](#)).



g358880

Figura 12

1. Ponga la sierra de pértiga en marcha a unos centímetros de una superficie.
 2. Si el aceite fluye correctamente, saldrá pulverizada de la cadena y se acumulará.
-
3. Si es necesario, ajuste el flujo de aceite de la siguiente manera:
 - A. Coloque la sierra de pértiga en una superficie nivelada y retire la batería; consulte [Retirada de la batería de la unidad de potencia \(página 23\)](#).
 - B. Gire el tornillo de la parte inferior del cabezal de la sierra de pértiga, siguiendo las indicaciones del diagrama de la cubierta lateral, para aumentar o reducir el flujo de aceite.
 - C. Compruebe el flujo del aceite; repita este procedimiento hasta que el aceite fluya a la velocidad deseada.
 4. Si el aceite no fluye, asegúrese de que hay aceite en el depósito y que la zona debajo de la cubierta lateral está limpia; consulte [Cómo comprobar el nivel de aceite y añadir aceite para cadenas \(página 28\)](#) y [Mantenimiento de la espada, la cadena y el piñón de arrastre. \(página 34\)](#).

Ajuste de la tensión de la cadena

Intervalo de mantenimiento: Cada vez que se utilice o diariamente
Después de cada ciclo de descarga de la batería

Asegúrese de que la cadena está correctamente tensada.

Una cadena destensada acorta la vida del piñón de arrastre y la espada, y puede hacer que la cadena se desprenda.

Si la cadena se tensa demasiado, se sobrecalientan la espada y la cadena causando un desgaste rápido, y puede quemarse el motor o romperse la cadena.

La tensión de la cadena es correcta si usted puede tirar de la cadena por la espada con la mano enguantada. La cadena debe permanecer en contacto con el borde inferior de la espada.

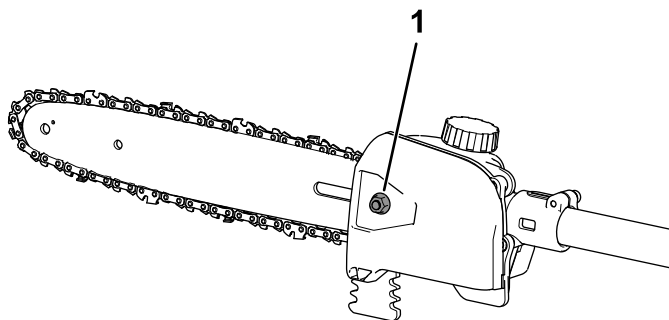
Compruebe también la tensión de una cadena nueva después de realizar algunos cortes; una cadena nueva suele estirarse y es necesario ajustarla después de unos cortes.

⚠ PELIGRO

Cualquier contacto con los dientes de la sierra de pértiga puede causar lesiones personales graves.

- **Retire la batería antes de realizar cualquier ajuste o mantenimiento de la sierra de pértiga.**
- **Siempre use guantes cuando realice cualquier ajuste o mantenimiento de la sierra de pértiga.**

1. Coloque la sierra de pértiga en una superficie nivelada y retire la batería; consulte [Retirada de la batería de la unidad de potencia \(página 23\)](#).
2. Deje que la cadena de la motosierra se enfríe.
Importante: No tense una cadena caliente; puede contraerse al enfriarse, dando lugar a una cadena demasiado tensada.
3. Compruebe que la espada no está doblada o dañada; cámbiela si es necesario.
4. Gire el tornillo de la cubierta de la espada en sentido antihorario para aflojar la cubierta, pero no la retire ([Figura 13](#)).

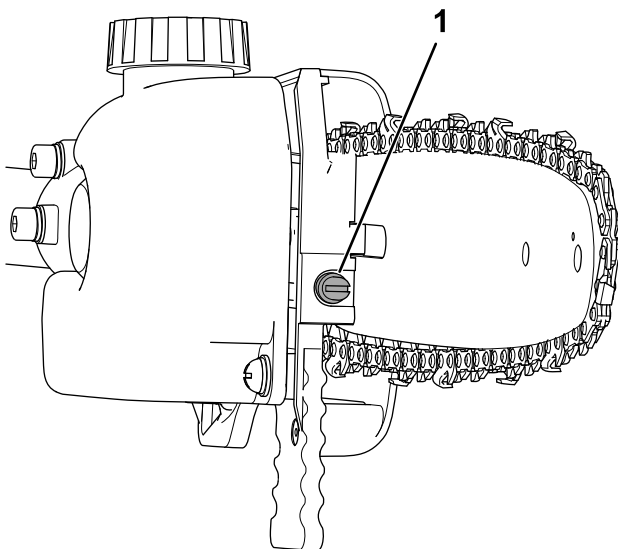


g358882

Figura 13

1. Tornillo de la cubierta de la espada

-
5. Ajuste la tensión de la cadena usando el tornillo tensor de la cadena ([Figura 14](#)), y luego sujete la cubierta lateral a la sierra de pértiga girando el tornillo de la cubierta en sentido horario antes de comprobar la tensión ([Figura 13](#)).
 - **Para apretar la cadena**, gire el tensor de la cadena en sentido horario.
 - **Para aflojar la cadena**, gire el tornillo tensor de la cadena en sentido antihorario.



g358881

Figura 14

1. Tornillo tensor de la cadena

Ajuste la tensión de la cadena hasta que toque el borde inferior de la espada, luego tire de la cadena para alejarla del borde inferior de la espada; si la cadena está correctamente ajustada, no podrá alejarla más de 3.2– 6.4 mm ($\frac{1}{8}$ – $\frac{1}{4}$ ") de la espada, y al soltarla recupera su lugar original bajo tensión.

Nota: Mientras ajusta la tensión de la cadena, levante la punta de la espada con la mano enguantada para asegurarse de que la espada no se comba y afecte a la tensión de la cadena.

6. Coloque la cadena alrededor de la espada con la mano enguantada. Una cadena correctamente tensada debe desplazarse libremente y permanecer en contacto con el borde inferior de la espada.
7. Si la cadena no está correctamente tensada, repita los pasos 4 a 7.

Mantenimiento de la espada, la cadena y el piñón de arrastre.

Cada año o antes del almacenamiento

⚠ PELIGRO

Cualquier contacto con los dientes de la sierra de pértiga puede causar lesiones personales graves.

- Retire la batería antes de realizar cualquier ajuste o mantenimiento de la sierra de pértiga.
 - Siempre use guantes cuando realice cualquier ajuste o mantenimiento de la sierra de pértiga.
1. Coloque la sierra de pértiga en una superficie nivelada y retire la batería; consulte [Retirada de la batería de la unidad de potencia \(página 23\)](#).
 2. Retire la cubierta lateral; gire el tornillo de la cubierta en sentido antihorario hasta que el tornillo quede libre, y luego retire la cubierta lateral ([Figura 15](#)).

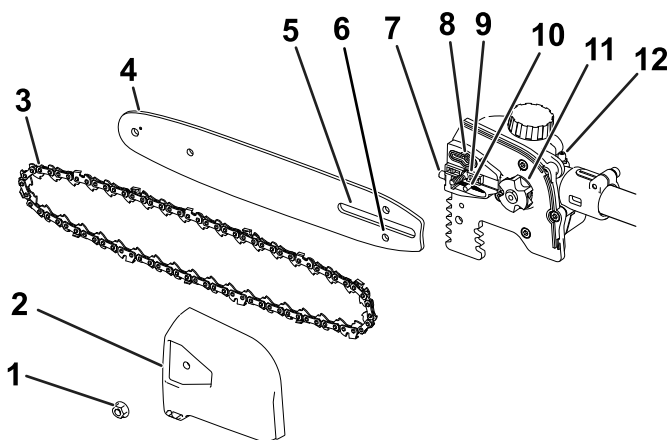


Figura 15

g363400

- | | | |
|--------------------------|--|---------------------------------------|
| 1. Tuerca de la tapa | 5. Ranura de la espada | 9. Espárrago de la funda de la espada |
| 2. Cubierta de la cadena | 6. Ranura del espárrago de ajuste de la cadena | 10. Espárrago de ajuste de la cadena |
| 3. Cadena | 7. Tornillo tensor de la cadena | 11. Piñón de arrastre |
| 4. Espada | 8. Salida de aceite | 12. Engrasador |

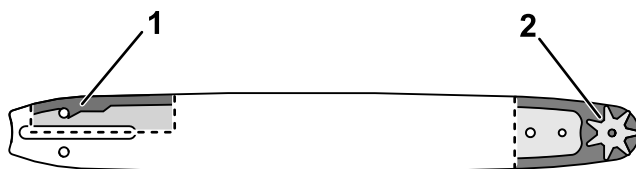
3. Afloje la cadena girando el tornillo de apriete de la cadena en sentido antihorario ([Figura 14](#)).
4. Separe la cadena de la espada y apártalas.
5. Limpie cualquier suciedad de debajo de la cubierta lateral.

Importante: Asegúrese de introducir el espárrago de ajuste de la cadena en la ranura del espárrago de ajuste de la cadena de la espada ([Figura 15](#)).

Puede ser necesario girar el tornillo tensor de la cadena para poder introducir el espárrago en la ranura de la espada ([Figura 15](#)).

6. Inspeccione el piñón de arrastre; si está muy desgastado o dañado, sustitúyalo; póngase en contacto con un servicio técnico autorizado.
7. Compruebe que la salida de aceite ([Figura 15](#)) está libre de residuos; limpie la zona si es necesario.
8. Limpie la espada y la cadena; use un alambre o un pequeño destornillador de cabeza plana para eliminar la suciedad y los residuos de la ranura del borde de la espada, empezando en el piñón del extremo delantero y trabajando hacia atrás.

Asegúrese de que el canal de aceite de la espada que está alineado con la salida de aceite de la sierra de pértiga está limpio para que el aceite pueda fluir libremente a la cadena ([Figura 16](#)).



g315856

Figura 16

Secciones internas de la espada ilustradas

- | | |
|---|--|
| <ol style="list-style-type: none"> 1. Asegúrese de que este canal que se comunica con la salida de aceite está limpio. | <ol style="list-style-type: none"> 2. Asegúrese de que el piñón de la espada está limpio y que gira libremente. |
|---|--|
-
9. Inspeccione la espada y la cadena; si la espada está doblada, las ranuras están dañadas, o el piñón del extremo delantero no gira libremente, cambie la espada; si la cadena está excesivamente desgastada o dañada, cámbiela.
 10. Instale la espada y la cadena; consulte [Instalación de la espada y la cadena \(página 36\)](#).

11. Asegúrese de que el aceite fluye hasta la cadena; consulte [Comprobación del flujo de aceite de la cadena \(página 29\)](#).

Engrase de la sierra de pértiga

Intervalo de mantenimiento: Cada 10 horas

Tipo de grasa: Grasa de propósito general.

1. Coloque la sierra de pértiga en una superficie nivelada y retire la batería; consulte [Retirada de la batería de la unidad de potencia \(página 23\)](#).
2. Limpie el engrasador con un trapo ([Figura 15](#)).
3. Conecte una pistola de engrasar al engrasador y bombee grasa en el engrasador hasta que salga grasa del engrasador.
4. Limpie cualquier exceso de grasa.

Instalación de la espada y la cadena

▲ PELIGRO

Cualquier contacto con los dientes de la sierra de pértiga puede causar lesiones personales graves.

- **Retire la batería antes de realizar cualquier ajuste o mantenimiento de la sierra de pértiga.**
 - **Siempre use guantes cuando realice cualquier ajuste o mantenimiento de la sierra de pértiga.**
1. Si la cubierta lateral está instalada en la máquina, retírela; consulte [Mantenimiento de la espada, la cadena y el piñón de arrastre \(página 34\)](#).
 2. Coloque la cadena alrededor del piñón de arrastre en el extremo delantero de la espada, **con el filo de corte de los dientes de la cadena del tramo superior de la espada orientado hacia adelante**, como se muestra en el diagrama situado bajo la cubierta lateral de la sierra de pértiga.
 3. Vaya colocando la cadena alrededor de la espada, alojando la cadena en la ranura de la espada.

Nota: Si la cadena es nueva, invierta la espada para evitar un desgaste desigual.

4. Coloque el bucle abierto de la cadena (la parte que no está montada en la espada) alrededor del piñón de arrastre de la sierra de pértiga, e instale la espada con la cadena acoplada en la sierra de pértiga.
5. Instale la cubierta lateral, pero no apriete del todo el tornillo de la cubierta lateral.
6. Ajuste la tensión de la cadena; consulte [Ajuste de la tensión de la cadena \(página 30\)](#).

Cómo afilar la cadena

Cada año o antes del almacenamiento

Una cadena afilada asegura un mejor rendimiento de corte y una vida más larga de la batería.

Es necesario afilar o sustituir la cadena si hay que forzarla para que penetre en la madera, o si produce serrín en lugar de virutas de madera.

Póngase en contacto con un Servicio Técnico Autorizado para que afilen o sustituyan la cadena.

Mantenimiento

Si la sierra de pértiga necesita mantenimiento, lleve la herramienta a un Servicio Técnico Autorizado.

Almacenamiento

Importante: Almacene la máquina, la batería y el cargador solo a temperaturas que estén dentro del intervalo apropiado; consulte [Especificaciones \(página 20\)](#).

Importante: Si va a almacenar la batería hasta la temporada siguiente, cárguela hasta que 1 o 2 de los indicadores LED de la batería cambien a verde. No almacene la batería completamente cargada ni completamente descargada. Antes de volver a usar la máquina, cargue la batería hasta que se vuelva verde el indicador izquierdo del cargador, o hasta que los 4 indicadores LED de la batería se vuelvan verdes.

- Desconecte la máquina del suministro de energía (es decir, retire la batería) y compruebe si hay daños después del uso.
- Limpie cualquier material extraño del producto.
- No almacene la máquina con la batería instalada.

- Almacene la máquina, la batería y el cargador de la batería en un lugar bien ventilado que no sea accesible para los niños.
- Mantenga la máquina, la batería y el cargador de la batería alejados de agentes corrosivos como productos fitosanitarios de jardín o sal para deshielo.
- Para reducir el riesgo de lesiones personales graves, no almacene la batería en el exterior o en un vehículo.
- Guarde la máquina, la batería y el cargador en un lugar cerrado, limpio y seco.

Solución de problemas

Realice solo los pasos descritos en estas instrucciones. Cualquier otro trabajo de inspección, mantenimiento o reparación debe ser realizado por un Servicio Técnico Autorizado o por un especialista autorizado si no puede solucionar el problema usted mismo.

Retire siempre la batería de la herramienta antes de inspeccionar, limpiar, localizar averías o realizar mantenimiento de la herramienta.

Problema	Posible causa	Acción correctora
La sierra de pértiga no funciona, o funciona de forma intermitente.	<ol style="list-style-type: none"><li data-bbox="386 423 674 472">1. La batería tiene poca carga.<li data-bbox="386 488 674 570">2. La batería no está completamente asentada.<li data-bbox="386 626 674 756">3. La temperatura de la batería está por encima o por debajo del intervalo de temperatura adecuado.<li data-bbox="386 764 674 846">4. La batería ha superado los límites máximos de amperaje.<li data-bbox="386 854 674 902">5. Hay humedad en los cables de la batería.<li data-bbox="386 927 674 976">6. Hay suciedad debajo de la cubierta.	<ol style="list-style-type: none"><li data-bbox="706 423 937 448">1. Cargue la batería.<li data-bbox="706 488 1003 618">2. Asegúrese de que la batería se ha introducido por completo en el alojamiento.<li data-bbox="706 626 1003 756">3. Traslade la batería a un lugar seco cuya temperatura sea de entre 5 °C y 40 °C (41 °F y 104 °F).<li data-bbox="706 764 1003 846">4. Suelte el gatillo y luego presione el interruptor del gatillo.<li data-bbox="706 854 1003 935">5. Deje que la batería se seque o séquela con un paño.<li data-bbox="706 943 1003 992">6. Retire la cubierta y elimine la suciedad.
La sierra de pértiga funciona, pero la cadena no gira.	<ol style="list-style-type: none"><li data-bbox="386 1013 674 1110">1. La cadena no está correctamente asentada en el piñón de arrastre.<li data-bbox="386 1183 674 1232">2. Hay suciedad debajo de la cubierta.	<ol style="list-style-type: none"><li data-bbox="706 1013 1003 1159">1. Instale la cadena y asegúrese de que los eslabones están correctamente asentados en el piñón de arrastre.<li data-bbox="706 1183 1003 1232">2. Retire la cubierta y elimine la suciedad.

Problema	Posible causa	Acción correctora
La sierra de pértiga no corta bien.	<ol style="list-style-type: none"> 1. La cadena no está tensada correctamente. 2. La cuchilla está desafilada o dañada. 3. La espada está doblada o las ranuras están dañadas. 4. La cadena está instalada al revés. 5. La cadena no se lubrica correctamente. 	<ol style="list-style-type: none"> 1. Ajuste la cadena con la tensión correcta. 2. Cambie la cadena. 3. Cambie la espada 4. Instale la cadena correctamente. 5. Compruebe el nivel de aceite y asegúrese de que el aceite fluye hasta la cadena.
El aceite de la cadena no lubrica correctamente.	<ol style="list-style-type: none"> 1. El nivel del aceite es bajo. 2. La salida de aceite está obstruida. 3. Hay suciedad debajo de la cubierta. 4. El canal de aceite o la ranura de la espada está obstruida. 	<ol style="list-style-type: none"> 1. Compruebe el nivel de aceite. 2. Limpie la suciedad de la salida del aceite. 3. Retire la cubierta y elimine la suciedad. 4. Limpie la suciedad que haya en la espada.

Información sobre las Advertencias de la Proposición 65 de California

¿Qué significa esta advertencia?

Puede ver un producto a la venta que lleva una etiqueta de advertencia como la siguiente:



ADVERTENCIA: Cáncer y daños reproductivos –
www.p65Warnings.ca.gov.

¿Qué es la Proposición 65?

La Proposición 65 afecta a cualquier empresa que tenga presencia en California, que venda productos en California, o que fabrique productos que podrían ser introducidos o vendidos en California. Esta ley exige que el Gobernador de California mantenga y publique una lista de sustancias químicas identificadas como causantes de cáncer, defectos de nacimiento y/u otros daños reproductivos. La lista, que se actualiza anualmente, incluye cientos de productos químicos que se encuentran en muchos artículos de uso diario. El propósito de la Proposición 65 es informar al público sobre la exposición a estos productos químicos.

La Proposición 65 no prohíbe la venta de productos que contengan estos productos químicos, sino que requiere la presencia de advertencias en el producto, el envase y la documentación suministrada con el producto. Además, una advertencia de la Proposición 65 no significa que el producto contravenga ninguna norma o requisito de seguridad. De hecho, el gobierno de California ha aclarado que una advertencia bajo la Proposición 65 "no es lo mismo que una decisión legal sobre la 'seguridad' o la 'inseguridad' de un producto". Muchos de estos productos químicos han sido utilizados durante años en productos de uso diario sin que se hayan producido daños documentados. Para obtener más información, visite <https://oag.ca.gov/prop65/faqs-view-all>.

Una advertencia de la Proposición 65 significa que una empresa (1) ha evaluado la exposición y ha concluido que supera el nivel de "sin riesgo significativo"; o (2) ha optado por proporcionar una advertencia basándose en sus conocimientos respecto a la presencia de un producto químico de los incluidos en la lista, sin intentar evaluar la exposición.

¿Esta ley es aplicable en todas partes?

Las advertencias de la Proposición 65 sólo son obligatorias bajo la legislación de California. Estas advertencias se ven por toda California en una gran variedad de entornos, incluyendo entre otros restaurantes, tiendas de alimentación, hoteles, escuelas y hospitales, y en una amplia variedad de productos. Además, algunos minoristas de Internet y de la venta por correo incluyen advertencias de la Proposición 65 en sus sitios web o en sus catálogos.

¿Qué diferencia hay entre las advertencias de California y los límites federales?

Las normas de la Proposición 65 son a menudo más exigentes que las normas federales o internacionales. Varias sustancias requieren una advertencia bajo la Proposición 65 a niveles muy inferiores a los límites federales. Por ejemplo, el nivel exigido por la Proposición 65 para las advertencias sobre el plomo es de 0.5 µg/día, que es muy inferior a lo que exigen las normas federales e internacionales.

¿Por qué no llevan la advertencia todos los productos similares?

- Los productos vendidos en California deben llevar etiquetas bajo la Proposición 65, mientras que otros productos similares que se venden en otros lugares no las necesitan.
- Una empresa puede estar obligada a incluir advertencias de Proposición 65 en sus productos como condición de un acuerdo tras un procedimiento legal relacionado con la Proposición 65, pero otras empresas que fabrican productos similares no tienen necesariamente la misma obligación.
- La aplicación de la Proposición 65 no es uniforme.
- Algunas empresas pueden optar por no proporcionar advertencias porque concluyen que no están obligadas a hacerlo bajo la Proposición 65; la falta de advertencias en un producto no significa que el producto esté libre de los productos químicos incluidos en la lista a niveles similares.

¿Por qué incluimos esta advertencia?

Nuestra empresa ha optado por ofrecer a los consumidores el máximo de información posible, para que puedan tomar decisiones informadas sobre los productos que adquieren y utilizan. Ofrecemos advertencias en algunos casos basadas en su conocimiento de la presencia de una o más sustancias químicas incluidas en la lista, sin evaluar el nivel de exposición, ya que no todas las sustancias químicas de la lista incluyen requisitos de límites de exposición. Aunque la exposición que provocan nuestros productos puede ser insignificante, o estar dentro de los límites de la categoría "sin riesgo significativo", hemos optado por proporcionar las advertencias de la Proposición 65 por simple precaución. Además, si no incluimos estas advertencias, la empresa podría enfrentarse a demandas interpuestas por el Estado de California o por partes privadas que deseen aplicar la Propuesta 65, y a importantes sanciones. **REV A**



Count on it.

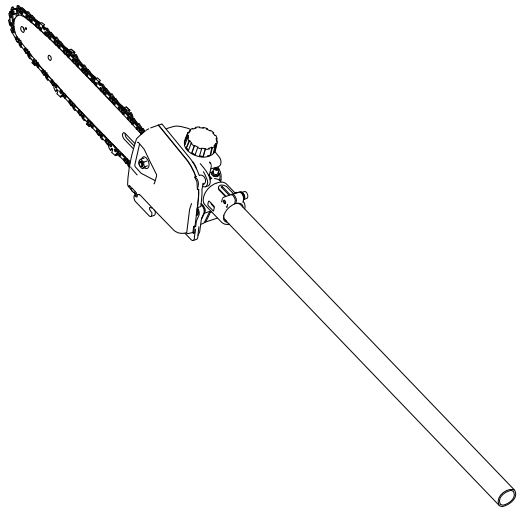


Count on it.

Manuel de l'utilisateur

Élagueuse sur perche
Outil Flex-Force Power System® 60
V MAX

N° de modèle 88714—N° de série 326000000 et suivants





Si vous avez besoin d'aide, consultez les documents didactiques sur www.Toro.com/support ou contactez votre dépositaire-réparateur agréé avant de renvoyer ce produit.

⚠ ATTENTION

CALIFORNIE

Proposition 65 - Avertissement

L'utilisation de ce produit peut entraîner une exposition à des substances chimiques considérées par l'état de Californie comme capables de provoquer des cancers, des anomalies congénitales ou d'autres troubles de la reproduction.

Introduction

Cette élagueuse sur perche est conçue pour tailler les petites branches et branchages mesurant jusqu'à 15,2 cm (6 po) de diamètre. Elle ne doit être utilisée que par des adultes. Il est conçu pour être utilisé en association avec la tête motrice modèle 51810T compatible avec les accessoires Flex-Force Power System® 60 V MAX. L'utilisation de ce produit à d'autres fins que celle prévue peut être dangereuse pour vous-même et toute personne à proximité.

Important: Dans certains cas, il est nécessaire d'utiliser un harnais à fixation rapide pour assurer un soutien et un équilibres corrects.

***Si vous utilisez cet accessoire en association avec la tête motrice modèle 51810T et une batterie de 4 Ah ou plus, vous devez installer le harnais à fixation rapide modèle 139-5334 (non inclus).**



Lisez attentivement cette notice pour apprendre comment utiliser et entretenir correctement votre produit, et éviter ainsi de l'endommager ou de vous blesser. Vous êtes responsable de l'utilisation sûre et correcte du produit.

Pour plus d'information, y compris des conseils de sécurité, des documents de formation, des renseignements concernant un accessoire, pour obtenir l'adresse d'un dépositaire ou pour enregistrer votre produit, rendez-vous sur le site www.Toro.com.

Pour obtenir des prestations de service, des pièces Toro d'origine ou des renseignements complémentaires, munissez-vous des numéros de modèle et de série du produit et contactez un dépositaire-réparateur ou le service client Toro agréé. La **Figure 1** indique l'emplacement des numéros de modèle et de série du produit. Inscrivez les numéros dans l'espace réservé à cet effet.

Important: Avec votre appareil mobile, vous pouvez scanner le code QR (selon l'équipement) sur la plaque du numéro de série pour accéder à l'information sur la garantie, les pièces et autres renseignements concernant le produit.

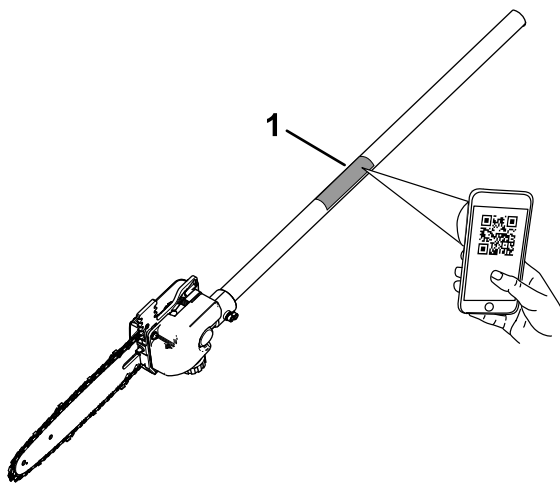


Figure 1

1. Emplacement des numéros de modèle et de série

g426291

N° de modèle _____

N° de série _____

Symbole de sécurité

Le symbole de sécurité (Figure 2) utilisé dans ce manuel et sur la machine identifie d'importants messages de sécurité dont vous devez tenir compte pour éviter des accidents.



Figure 2

Symbole de sécurité

g000502

Le symbole de sécurité apparaît au-dessus de toute information signalant des actions ou des situations dangereuses. Il est suivi de la mention **DANGER**, **ATTENTION** ou **PRUDENCE**.

DANGER signale un danger immédiat qui, s'il n'est pas évité, **entraînera obligatoirement** des blessures graves ou mortelles.

ATTENTION signale un danger potentiel qui, s'il n'est pas évité, **risque d'entraîner** des blessures graves ou mortelles.

PRUDENCE signale un danger potentiel qui, s'il n'est pas évité, **peut éventuellement entraîner** des blessures légères ou modérées.

Ce manuel utilise également deux autres termes pour faire passer des renseignements essentiels. **Important** pour attirer l'attention sur une information d'ordre mécanique spécifique, et **Remarque** pour souligner une information d'ordre général méritant une attention particulière.

La tête motrice modèle 51810T est compatible avec divers accessoires agréés par Toro et est conforme à des normes spécifiques en combinaison avec ces accessoires; voir le tableau suivant pour plus de précisions.

Combinaison	Modèle de tête motrice	Modèle d'accessoire	Norme
Débroussailluse à fil	51810T	88716	Conforme à UL STD 82 Certifié conforme à CSA STD C22.2 No. 147
Coupe-bordures	51810T	88710	Conforme à UL STD 82 Certifié conforme à CSA STD C22.2 No. 147
Élagueuse sur perche	51810T	88714	Conforme à UL STD 82 Certifié conforme à CSA STD C22.2 No. 147
Cultivateur	51810T	88715	Conforme à UL STD 82 Certifié conforme à CSA STD C22.2 No. 147
Taille-haies	51810T	88713	Conforme à UL STD 62841-4-2 Certifié conforme à CSA STD C22.2 62841-4-2

Sécurité

⚠ ATTENTION

Prenez connaissance de toutes les consignes de sécurité, instructions, illustrations et spécifications qui accompagnent cet outil électrique.

Le non respect de toutes les instructions énoncées ci-après peut entraîner des chocs électriques, un incendie et/ou des blessures graves.

Conservez précieusement toutes les mises en garde et consignes de sécurité à titre de référence.

Le terme « outil électrique » utilisé dans toutes les mises en garde renvoie à votre outil électrique branché sur le secteur (câblé) ou alimenté par batterie (sans fil).

IMPORTANTES CONSIGNES DE SÉCURITÉ

I. Sécurité sur la zone de travail

1. **La zone de travail doit être propre et bien éclairée.** *Les endroits sombres et encombrés sont propices aux accidents.*
2. **N'utilisez jamais d'outils électriques dans des atmosphères explosives, en présence de liquides, gaz ou poussière inflammables par exemple.** *Les outils électriques produisent des étincelles qui peuvent enflammer la poussière ou les vapeurs/émanations.*
3. **Tenez enfants et adultes à distance pendant l'utilisation d'un outil électrique.** *Les distractions peuvent entraîner la perte de contrôle de l'outil.*

II. Sécurité électrique

1. **La fiche des outils électriques doit correspondre au type de prise. Ne modifiez jamais la fiche électrique. N'utilisez pas d'adaptateur avec les outils électriques reliés à la terre.** *Les fiches et prises correspondantes non modifiées réduisent le risque de choc électrique.*
2. **Évitez tout contact du corps avec des surfaces reliées à la terre/masse, par exemple tuyaux, radiateurs, cuisinières et**

réfrigérateurs. *Le risque de choc électrique augmente si vous êtes relié à la terre.*

3. **N'exposez pas les outils électriques à la pluie ou à l'humidité.** *Toute infiltration d'eau dans un outil électrique augmente le risque de choc électrique.*
4. **Ne maltraitez pas le cordon d'alimentation. Ne vous servez jamais du cordon pour transporter, tirer ou débrancher l'outil électrique. Éloignez le cordon des surfaces chaudes, de la graisse, des arêtes vives ou des pièces mobiles.** *Les cordons endommagés ou emmêlés augmentent le risque de choc électrique.*
5. **Si vous utilisez un outil électrique à l'extérieur, utilisez toujours une rallonge adaptée à l'usage extérieur.** *L'utilisation d'une rallonge prévue pour l'usage extérieur réduit le risque de choc électrique.*
6. **Si l'utilisation d'un outil électrique dans un endroit humide ne peut être évitée, utilisez une alimentation protégée par un disjoncteur différentiel.** *L'utilisation d'un disjoncteur différentiel réduit le risque de choc électrique.*

III. Sécurité personnelle

1. **Restez vigilant(e), regardez ce que vous faites et faites preuve de bon sens lorsque vous utilisez un outil électrique. N'utilisez jamais un outil électrique si vous êtes fatigué(e) ou sous l'emprise de l'alcool, de drogues ou de médicaments.** *Un seul moment d'inattention pendant l'utilisation peut entraîner de graves blessures.*
2. **Utilisez des équipements de protection individuelle. Portez toujours une protection oculaire.** *Les équipements de protection comme les masques antipoussière, les chaussures de sécurité à semelle antidérapante, les casques et les protections antibruit utilisés de manière pertinente réduisent les risques de blessures.*
3. **Évitez tout démarrage accidentel. Assurez-vous que l'interrupteur Marche/Arrêt est en position ARRÊT avant de connecter l'outil à une source d'alimentation et/ou à la batterie, de le prendre en main ou de le transporter.** *Des accidents peuvent se produire si vous transportez un outil électrique en gardant le doigt sur l'interrupteur d'alimentation ou si vous le mettez sous tension sans avoir placé l'interrupteur en position Arrêt.*
4. **Retirez toute clé de réglage ou autre avant de mettre l'outil en marche.** *Une clé oubliée sur une pièce rotative de l'outil électrique pourrait vous blesser.*

5. **Ne travaillez pas trop loin devant vous. Gardez toujours les pieds bien posés à terre et faites en sorte de ne pas perdre l'équilibre.** *Vous pourrez ainsi garder le contrôle de l'outil en cas d'événement inattendu.*
6. **Portez des vêtements adéquats. Ne portez pas de vêtements amples ni de bijoux pendants. N'approchez pas les cheveux ni les vêtements des pièces en mouvement.** *Les vêtements amples, les bijoux pendants ou les cheveux longs peuvent se prendre dans les pièces mobiles.*
7. **Si des dispositifs sont fournis pour le raccordement d'équipements de dépoussiérage et de récupération des poussières, assurez-vous qu'ils sont connectés et utilisés correctement.** *L'utilisation d'un dispositif de récupération des poussières peut réduire les risques associés aux poussières.*
8. **Même si vous avez l'habitude d'utiliser les outils, ne relâchez pas votre attention et n'ignorez pas les principes de sécurité des outils.** *Une imprudence peut causer des blessures graves en une fraction de seconde.*

IV. Utilisation et entretien des outils électriques

1. **Ne faites pas forcer l'outil électrique. Utilisez l'outil électrique correct pour la tâche à accomplir.** *Un outil électrique adapté donnera de meilleurs résultats et sera moins dangereux s'il est utilisé dans les limites prévues.*
2. **Ne vous servez pas de l'outil électrique si l'interrupteur marche/arrêt ne permet pas de le mettre en marche et de l'arrêter correctement.** *Un outil électrique qui ne peut pas être commandé par l'interrupteur marche/arrêt est dangereux et doit être réparé.*
3. **Débranchez l'outil de la source d'alimentation et/ou enlevez la batterie de l'outil, si elle est amovible, avant d'effectuer des réglages, de changer d'accessoire ou de ranger l'outil.** *Ces mesures de sécurité préventives réduisent le risque de démarrage accidentel de l'outil.*
4. **Rangez les outils électriques non utilisés hors de portée des enfants et ne confiez leur utilisation qu'à des personnes connaissant leur maniement et ayant lu ces instructions.** *Les outils électriques sont dangereux s'ils sont mis entre les mains d'utilisateurs novices.*
5. **Effectuez l'entretien des outils et des accessoires. Assurez-vous qu'aucune pièce n'est mal alignée, grippée, cassée ou présente tout autre défaut susceptible d'affecter le bon fonctionnement de l'outil électrique. S'il est endommagé, faites réparer l'outil**

électrique avant de l'utiliser. *De nombreux accidents sont causés par des outils électriques en mauvais état.*

6. **Gardez les outils de coupe propres et bien affûtés.** *Des outils de coupe entretenus correctement et bien affûtés sont moins susceptibles de coincer et sont plus faciles à contrôler.*
7. **Utilisez l'outil électrique, les accessoires, les outils rapportés, etc. en conformité avec ces instructions, en tenant compte des conditions de travail et de la tâche à réaliser.** *L'utilisation de l'outil électrique pour des opérations autres que celles prévues peut engendrer une situation dangereuse.*
8. **Gardez les poignées et surfaces de préhension sèches, propres et exemptes d'huile et de graisse.** *Les poignées et les surfaces de préhension glissantes ne permettent pas de manipuler et de contrôler l'outil en toute sécurité dans des situations imprévues.*

V. Utilisation et entretien des outils à batterie

1. **Ne les rechargez qu'avec le chargeur spécifié par le fabricant.** *Un chargeur convenant à un type de batterie peut créer un risque d'incendie s'il est utilisé avec une autre batterie.*
2. **Utilisez les outils électriques uniquement avec les batteries spécifiquement prévues.** *L'utilisation d'autres batteries peut créer un risque de blessure et d'incendie.*
3. **Lorsque la batterie ne sert pas, rangez-la à distance d'objets métalliques tels que trombones, pièces de monnaie, clés, clous, vis ou autre petit objet métallique qui pourrait relier les bornes entre elles.** *Un court-circuit aux bornes de la batterie peut causer des brûlures ou un incendie.*
4. **Du liquide peut s'échapper de la batterie en cas d'utilisation abusive; évitez tout contact avec le liquide. En cas de contact accidentel, rincez à l'eau. En cas de contact du liquide avec les yeux, consultez en plus un médecin.** *Le liquide qui s'échappe de la batterie peut causer des irritations ou des brûlures.*
5. **N'utilisez pas une batterie ou un outil qui a été endommagé(e) ou modifié(e).** *Les batteries endommagées ou modifiées peuvent se comporter de manière imprévisible et causer un incendie, une explosion ou des blessures.*
6. **N'exposez pas les batteries ou les outils au feu ou à une température excessive.** *L'exposition au feu ou à une température supérieure à 130 °C (265 °F) peut provoquer une explosion.*
7. **Suivez toutes les instructions de charge et ne chargez pas la batterie ou l'outil en dehors de la plage de température**

spécifiée dans les instructions. *Une charge incorrecte ou à des températures en dehors de la plage spécifiée peut endommager la batterie et augmenter le risque d'incendie.*

VI. Entretien

- 1. Confiez l'entretien de votre outil électrique à un réparateur qualifié utilisant exclusivement des pièces de rechange identiques.** *La sécurité de votre outil électrique sera ainsi maintenue.*
- 2. Ne faites jamais l'entretien des batteries endommagées.** *L'entretien des batteries ne doit être effectué que par le fabricant ou les fournisseurs de services autorisés.*

VII. Consignes de sécurité pour l'élagueuse sur perche

- 1. N'approchez aucune partie du corps de la chaîne de sciage pendant le fonctionnement de l'élagueuse sur perche. Avant de démarrer l'élagueuse sur perche, vérifiez que la chaîne ne touche rien.** *En effet, il suffit d'un seul moment d'inattention pendant l'utilisation de l'élagueuse sur perche pour que la chaîne happe les vêtements ou une partie du corps.*
- 2. Tenez toujours l'élagueuse sur perche des deux mains pendant l'utilisation.** *Tenez l'élagueuse des deux mains pour éviter d'en perdre le contrôle.*
- 3. Pour réduire le risque d'électrocution, n'utilisez jamais l'élagueuse sur perche à proximité de lignes électriques.** *Si vous touchez des lignes électriques ou si vous travaillez à proximité, vous risquez de graves blessures ou l'électrocution pouvant entraîner la mort.*
- 4. Tenez l'élagueuse sur perche uniquement par les surfaces de maintien isolées, car la chaîne peut toucher des câbles cachés.** *Si la chaîne de sciage entre en contact avec un câble « sous tension », les pièces métalliques exposées peuvent également être mises « sous tension » et causer un choc électrique pour l'utilisateur.*
- 5. Portez une protection oculaire et auditive. Il est recommandé de porter un équipement de protection supplémentaire pour les mains et des chaussures antidérapantes.** *L'utilisation d'équipements de protection adaptés réduit les risques de blessures.*
- 6. Protégez-vous toujours la tête quand vous utilisez l'élagueuse sur perche en hauteur.** *La chute de débris peut entraîner de graves blessures.*
- 7. Tenez-vous toujours bien d'aplomb sur une surface stable, ferme et de niveau quand vous utilisez l'élagueuse sur perche.**

Les surfaces glissantes ou instables peuvent vous faire perdre l'équilibre ou le contrôle de l'outil.

8. **N'utilisez pas l'élagueuse sur perche lorsque vous trouvez dans un arbre, sur une échelle, sur un toit ou sur un support instable.** *L'utilisation d'une élagueuse sur perche dans ces conditions peut vous faire perdre l'équilibre, perdre le contrôle de l'outil et entraîner des blessures.*
9. **Tenez tous les cordons et câbles d'alimentation à l'écart de la zone de coupe.** *Des cordons ou câbles d'alimentation peuvent être masqués par des arbres et être accidentellement coupé par la chaîne de sciage.*
10. **N'utilisez pas l'élagueuse sur perche par mauvais temps, surtout s'il existe un risque de foudre.** *Cela réduit le risque d'être frappé par la foudre.*
11. **Lorsque vous coupez une branche soumise à une tension, méfiez-vous de l'effet de retour.** *Lorsque les fibres de bois se détendent, la branche peut venir vous heurter et/ou vous faire perdre le contrôle de l'élagueuse sur perche.*
12. **Faites preuve d'une extrême prudence lorsque vous coupez des broussailles ou de jeunes arbres.** *Le bois mince peut coincer l'élagueuse et vous heurter ou vous déséquilibrer par effet de retour.*
13. **Lorsque vous transportez l'élagueuse sur perche éteinte, veillez à n'actionner aucun interrupteur et à maintenir la chaîne ou la lame de sciage loin de votre corps.** *Le transport correct de l'élagueuse sur perche réduit le risque de contact accidentel avec la chaîne en marche.*
14. **Enfilez toujours l'étui sur le guide-chaîne avant de transporter ou ranger l'élagueuse sur perche.** *Le transport correct de l'élagueuse sur perche réduit le risque de contact accidentel avec la chaîne en marche.*
15. **Avant de dégager des obstructions, de ranger ou de faire l'entretien de l'élagueuse sur perche, assurez-vous que l'interrupteur d'alimentation est à la position arrêt et que la batterie est retirée.** *La mise en marche inopinée de l'élagueuse sur perche lors du dégagement d'une obstruction ou de l'entretien peut entraîner des blessures graves.*
16. **Ne coupez que du bois. N'utilisez pas l'élagueuse sur perche à d'autres fins que celle prévue. Par exemple : n'utilisez pas l'élagueuse sur perche pour couper du plastique, du métal, des matériaux de maçonnerie ou des matériaux de construction**

autres que le bois. *L'utilisation de l'élagueuse pour des opérations autres que celle prévue peut engendrer une situation dangereuse.*

17. **Transportez l'élagueuse sur perche après l'avoir arrêtée en la tenant à deux mains et en l'éloignant de vous. Enfilez toujours l'étui sur le guide-chaîne avant de transporter ou ranger l'élagueuse sur perche.** *Le maniement correct de l'élagueuse sur perche réduit le risque de contact accidentel avec la chaîne en marche.*
18. **Ne retirez pas le matériau coupé et ne tenez pas le matériau à couper pendant le fonctionnement de la chaîne de l'élagueuse.** *Vérifiez toujours que l'interrupteur est en position « hors tension » et que la batterie est débranchée avant d'enlever les obstructions. La chaîne continue de tourner après la mise hors tension de l'élagueuse.*
19. **Suivez les instructions de graissage, de réglage de tension de la chaîne et de remplacement du guide-chaîne et de la chaîne.** *Une chaîne mal tendue ou mal graissée peut se rompre ou augmenter le risque de rebond.*
20. **Cette élagueuse sur perche ne doit pas servir à abattre des arbres.** *L'utilisation de l'élagueuse pour des opérations autres que celle prévue peut entraîner de graves blessures pour l'utilisateur et les personnes à proximité.*
21. **Évitez les rebonds.** *Un rebond peut se produire lorsque le nez ou l'extrémité avant du guide-chaîne rencontre un objet, ou lorsque le bois se referme et coince la chaîne de l'élagueuse.*

Le contact de l'extrémité avant peut causer une réaction inverse subite qui va propulser le guide-chaîne vers le haut et dans votre direction.

Si la chaîne se coince au sommet du guide-chaîne, celui-ci risque d'être repoussé rapidement vers vous.

Chacune de ces réactions peut vous faire perdre le contrôle de l'élagueuse et causer de graves blessures. Ne vous fiez pas exclusivement aux dispositifs de sécurité intégrés à l'élagueuse. L'utilisateur de l'élagueuse sur perche doit prendre une série de mesures pour éviter les accidents ou blessures lors de la coupe.

Le rebond est causé par une mauvaise utilisation de l'outil et/ou des méthodes ou des conditions d'utilisation incorrectes; ce phénomène peut être évité en prenant les précautions appropriées indiquées ci-après :

22. **Tenez fermement les poignées de l'élagueuse en les entourant avec le pouce et les doigts des deux mains et positionnez le**

corps et les bras de manière à pouvoir résister aux forces de rebond. Les forces de rebond peuvent être contrôlées par l'utilisateur s'il adopte les précautions voulues. Ne lâchez pas l'élagieuse.

23. **Utilisez exclusivement les guides et les chaînes de rechange spécifiés par le fabricant.** L'utilisation de guides et de chaînes de rechange incorrects peut causer la rupture de la chaîne et/ou faire rebondir la tronçonneuse.
24. **Suivez les instructions d'affutage et d'entretien du fabricant de la chaîne.** Le phénomène de rebond peut être accru si la hauteur de la jauge de profondeur diminue.






CONSERVEZ CES INSTRUCTIONS









Symboles des autocollants



Des autocollants de sécurité et des instructions bien visibles par l'opérateur sont placés près de tous les endroits potentiellement dangereux. Remplacez tout autocollant endommagé ou manquant.

Les tableaux suivants décrivent les symboles de sécurité qui figurent sur les autocollants.

Symboles des autocollants de l'élagieuse sur perche	Explication
	Risque de coupure/mutilation des mains
	Risque de choc électrique
	Attention
	Ne pas exposer à la pluie.
	Ne vous approchez pas des pièces en mouvement.

	Ne vous approchez pas des lignes électriques.
	N'autorisez personne à s'approcher.
	Lisez le <i>Manuel de l'utilisateur</i> .
	Porter un casque.
	Portez une protection oculaire.
	Portez des protecteurs d'oreilles.
	Porter des gants.
	Porter des chaussures robustes à semelle antidérapante

Mise en service

Installation du guide et de la chaîne

⚠ DANGER

Tout contact avec les dents de l'élagueuse sur perche peut causer de graves blessures.

- Retirez la batterie avant tout réglage ou entretien de l'élagueuse sur perche.
- Portez toujours des gants pour régler ou faire l'entretien de l'élagueuse.

1. Placez l'élagueuse sur une surface plane et horizontale, et n'installez pas la batterie.
2. Déposez le couvercle latéral; tournez la vis de l'étui du guide-chaîne dans le sens antihoraire jusqu'à ce que la vis puisse être retirée, puis déposez le couvercle latéral (Figure 3).

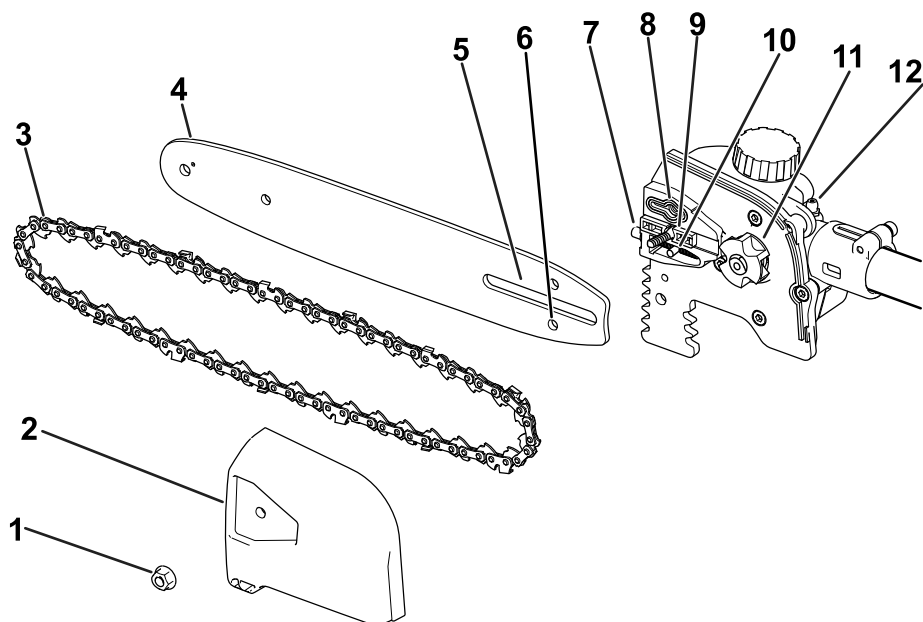


Figure 3

g586538

- | | | |
|-----------------------|--|------------------------------------|
| 1. Écrou du couvercle | 5. Fente du guide-chaîne | 9. Goujon d'étui de guide-chaîne |
| 2. Protège-chaîne | 6. Fente du goujon de réglage de la chaîne | 10. Goujon de réglage de la chaîne |
| 3. Chaîne | 7. Vis de réglage de tension de la chaîne | 11. Pignon d'entraînement |
| 4. Guide-chaîne | 8. Sortie d'huile | 12. Graisseur |

3. Placez la chaîne autour du pignon à l'extrémité avant du guide, en dirigeant vers l'avant le bord coupant des dents au sommet du guide, comme montré sur le schéma figurant sous le couvercle latéral de l'élagueuse.
4. Continuez d'engager la chaîne autour du guide en alignant la chaîne dans la gorge du guide.
5. Placez la boucle ouverte de la chaîne (le côté qui n'est pas sur le guide) autour du pignon d'entraînement de l'élagueuse (Figure 3).

Important: Vérifiez que le goujon de réglage de la chaîne est bien inséré dans la fente correspondante sur le guide-chaîne (Figure 3).

Vous devrez peut-être tourner la vis de réglage de tension de la chaîne pour pouvoir enfiler le goujon dans la fente du guide (Figure 14).

6. Reposez le couvercle latéral et la vis de l'étui du guide-chaîne, et tournez la vis dans le sens horaire pour serrer légèrement le couvercle latéral.
7. Réglez la tension de la chaîne; voir [Réglage de la tension de la chaîne](#) (page 29).

Connexion de l'accessoire à la tête motrice

1. Insérez l'arbre carré de l'accessoire dans l'arbre carré de la tête motrice (A de Figure 4).
2. Placez le bouton de verrouillage situé sur la moitié inférieure du manche en face du trou situé sur la moitié supérieure, et emboîtez-les 2 moitiés ensemble (B et C de la Figure 4).

Remarque: Le bouton de verrouillage s'enclenche dans le trou quand les deux moitiés du manche sont correctement emboîtées (C de la Figure 4).

3. À l'aide de la poignée, serrez la vis sur le connecteur du manche jusqu'à ce qu'il soit bien fixé (D de la Figure 4).

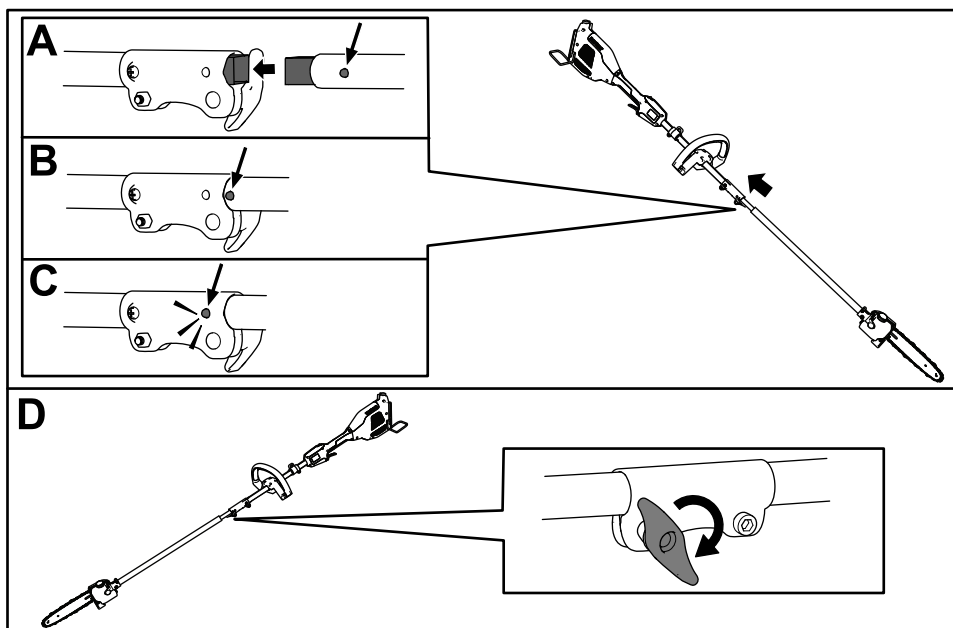


Figure 4

g586537

Ajout de l'huile pour guide et chaîne dans l'élagueuse

Important: Utilisez uniquement de l'huile pour guide et chaîne (vendue séparément).

Remplissez l'élagueuse avec de l'huile pour guide-chaîne et chaîne avant de l'utiliser pour la première fois; voir [Contrôle du niveau d'huile et appoint d'huile pour guide-chaîne et chaîne](#) (page 27).

Vue d'ensemble du produit

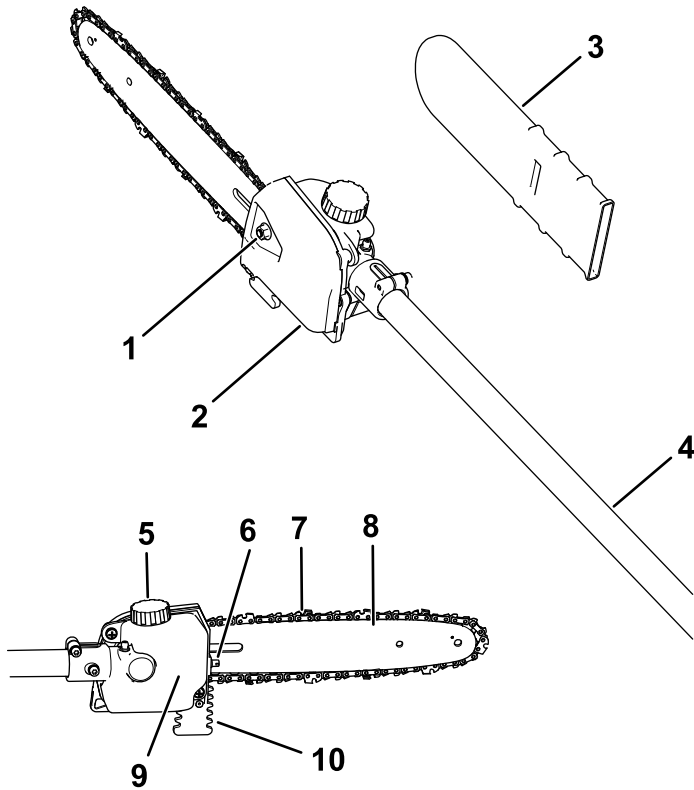


Figure 5

g358797

- | | |
|---------------------------------|---|
| 1. Vis de protège-chaîne | 6. Vis de réglage de tension de la chaîne |
| 2. Protège-chaîne | 7. Chaîne |
| 3. Étui du guide-chaîne | 8. Guide-chaîne |
| 4. Arbre | 9. Réservoir d'huile |
| 5. Bouchon du réservoir d'huile | 10. Griffes |

Caractéristiques techniques

Modèle	88714, se monte sur 51810T
Longueur du guide (avec 88619 et 88621 monté)	25,4 cm (10 po)
Jauge de chaîne (avec 88619 et 88621 montés)	1,2 mm (0,050 po)
Pas de chaîne (avec 88619 et 88621 montés)	6,3 mm (0,25 po)
Longueur de chaîne (avec 88619 et 88621 monté)	58 maillons
Tension nominale	60 V c.c. maximum, 54 V c.c. utilisation nominale
Poids (sans batterie)	4,2 kg (9,3 lb)
Type de chargeur	Chargeurs de batteries lithium-ion Flex-Force de 60 V
Type de batterie	Batteries lithium-ion Flex-Force 60 V*

*Si vous utilisez cette machine avec une batterie de 4 Ah ou plus, vous devez installer le harnais à fixation rapide modèle 139-5334 (non inclus).

Plages de température adéquates

Charger/ranger la batterie entre	5 °C (41 °F) et 40 °C (104 °F)*
Utiliser la batterie entre	-30 °C (-22 °F) et 49 °C (120 °F)*
Utiliser l'outil entre	0 °C (32 °F) et 49 °C (120 °F)*

*Le temps de charge sera plus long en dehors de cette plage de température.

Rangez l'outil, la batterie et le chargeur dans un lieu fermé, propre et sec.

Accessoires/outils

Une sélection d'outils et d'accessoires agréés par Toro est disponible pour augmenter et améliorer les capacités de l'appareil. Pour obtenir la liste de tous les accessoires et outils agréés, contactez votre dépositaire-réparateur ou votre distributeur Toro agréé, ou rendez-vous sur le site www.Toro.com.

Pour garantir un rendement optimal et conserver la certification de sécurité de la machine, utilisez uniquement des pièces de rechange et accessoires Toro d'origine. Les pièces de rechange et accessoires d'autres constructeurs peuvent être dangereux.

Utilisation

Avant d'utiliser l'élagueuse sur perche

Avant d'utiliser l'élagueuse, procédez comme suit :

- Contrôlez la tension de la chaîne; voir [Réglage de la tension de la chaîne \(page 29\)](#).
- Nettoyez les composants de l'élagueuse, vérifiez qu'ils ne sont pas excessivement usés ou endommagés, et remplacez-les au besoin; voir [Entretien du guide, de la chaîne et du pignon d'entraînement \(page 33\)](#).
- Vérifiez si la chaîne est émoussée ou endommagée; aiguissez ou remplacez-la au besoin; voir [Affûtage de la chaîne \(page 36\)](#).
- Vérifiez le niveau d'huile; voir [Contrôle du niveau d'huile et appoint d'huile pour guide-chaîne et chaîne \(page 27\)](#).
- Vérifiez l'état, l'aspect général et le fonctionnement de l'élagueuse; assurez-vous que les commutateurs bougent librement, que les événements et les poignées sont propres, et que le guide-chaîne n'est pas faussé ou endommagé.

Démarrage de l'accessoire

1. Vérifiez que les événements de l'accessoire, la tête motrice et la batterie sont exempts de poussière et de débris.
2. Alignez le creux de la batterie sur la languette du corps de la poignée ([Figure 6](#)).

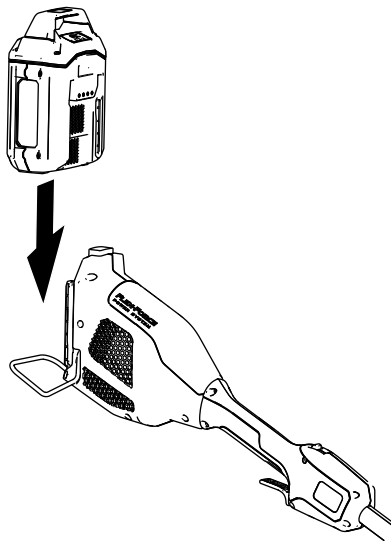


Figure 6

g357444

3. Poussez la batterie dans la poignée jusqu'à ce qu'elle s'enclenche dans le verrou.
4. Pour mettre l'accessoire en marche, appuyez sur le bouton de verrouillage, puis serrez la gâchette de marche (Figure 7).

Remarque: Faites coulisser le commutateur 2 vitesses pour modifier la vitesse de l'outil.

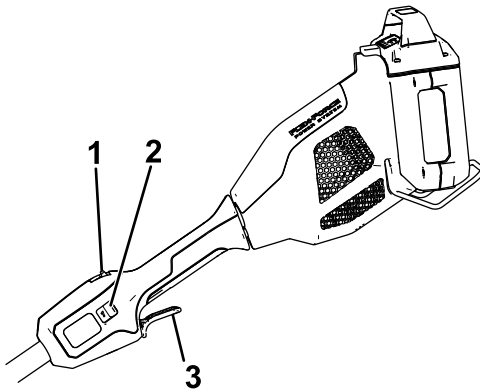


Figure 7

g357456

1. Bouton de verrouillage
2. Commutateur 2 vitesses
3. Gâchette de marche

Arrêt de l'élagueuse sur perche

Pour arrêter l'élagueuse, relâchez la gâchette.

Chaque fois que vous cessez d'utiliser l'élagueuse ou que vous la transportez vers ou hors de la zone de travail, enlevez la batterie et installez l'étui du guide-chaîne.

Retrait de la batterie de la tête motrice

Appuyez sur le verrou de batterie sur la machine afin de débloquer la batterie, et faites glisser cette dernière hors de la machine ([Figure 8](#)).

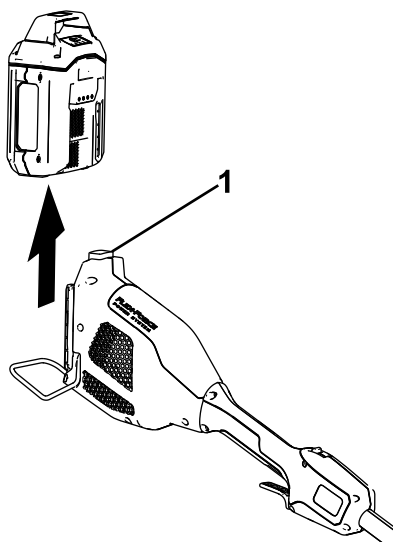


Figure 8

g357457

1. Verrou de batterie

Dépose de l'accessoire de la tête motrice

1. Veillez à retirer la batterie de la tête motrice; voir [Retrait de la batterie de la tête motrice \(page 22\)](#).
2. Desserrez la poignée de vis sur le connecteur de l'arbre ([Figure 5](#)).
3. Appuyez sur le bouton de verrouillage tout en séparant les 2 arbres ([Figure 5](#)).

Couper avec l'élagueuse

⚠ ATTENTION

La mauvaise utilisation d'une élagueuse peut causer des blessures graves, voire mortelles.

Lisez attentivement et respectez toutes les instructions d'utilisation pour éviter de vous blesser.

⚠ ATTENTION

N'utilisez pas l'élagueuse près de lignes électriques; elle n'est pas conçue pour offrir une protection contre les chocs électriques en cas de contact avec des lignes électriques aériennes.

Consultez la réglementation locale concernant les distances de sécurité par rapport aux lignes électriques aériennes, et assurez-vous que la position d'utilisation est sûre et sécurisée avant d'utiliser l'élagueuse sur perche.

⚠ ATTENTION

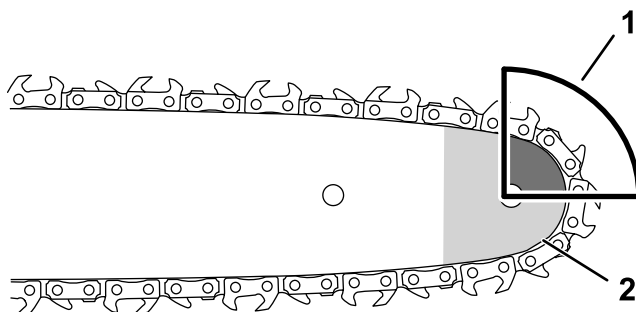
Les rebonds peuvent vous blesser gravement ou mortellement.

Évitez de toucher les pièces de bois que vous voulez couper avec l'extrémité du guide-chaîne.

Il existe deux types de rebond :

- Un déplacement rapide **vers le haut** de l'élagueuse, qui se produit quand le nez ou le haut du guide-chaîne entre en contact avec un objet.
- Un déplacement rapide **vers l'arrière** de l'élagueuse, qui se produit quand le nez ou le haut du guide-chaîne est pincé dans l'objet que vous coupez.

La [Figure 9](#) montre la partie du guide-chaîne qui ne doit pas entrer en contact avec un objet pour éviter un rebond.



g318677

Figure 9

- | | |
|---|--------|
| 1. Zone de rebond (nez, haut du guide-chaîne) | 2. Nez |
|---|--------|

1. Tenez fermement l'élaguese à deux mains.
2. Tenez vous sur une surface stable et de niveau devant l'arbre que vous voulez tailler et calez-vous bien sur les pieds de manière à ne pas perdre l'équilibre pendant que vous coupez.
3. Veillez à ne couper que la pièce prévue; la chaîne ne doit pas toucher le sol, d'autres billes ou tout autre objet.
4. Vérifiez que la chaîne tourne à la vitesse maximale avant de commencer à couper.
5. Coupez la branche vers l'arrière du guide-chaîne, près du guide de coupe; appuyez la chaîne légèrement contre le bois et laissez agir le poids de l'élaguese pour couper ([Figure 10](#)).

Important: Si la chaîne se coince dans l'entaille, n'essayez pas de la dégager en faisant tourner le moteur. Arrêtez l'élaguese, retirez la batterie et relevez la branche tout en maintenant l'élaguese; cela devrait ouvrir l'entaille et libérer l'élaguese.

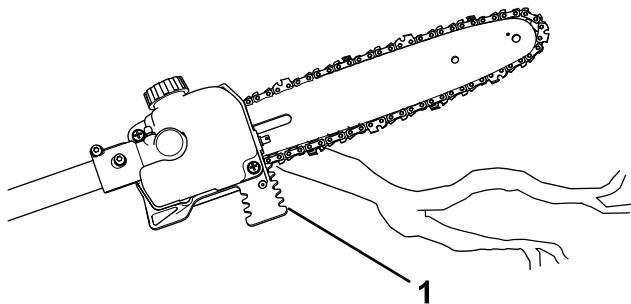


Figure 10

g358883

1. Guide de coupe

6. Maintenez une pression régulière sur l'élagueuse, et coupez en ligne droite en ne relâchant la pression que vers la fin de la coupe.
7. Relâchez la gâchette dès que la coupe est terminée.

Élagage d'un arbre

⚠ ATTENTION

L'élagage des branches hautes d'un arbre peut vous placer dans une position instable et potentiellement dangereuse pendant le maniement d'une élagueuse sur perche et causer des blessures graves ou mortelles à vous même ou à des personnes à proximité.

Lorsque vous élaguez un arbre debout, utilisez les pratiques suivantes :

- Ne grimpez pas sur les branches en tenant une élagueuse sur perche.
 - Ne vous penchez pas trop en avant et coupez en tenant l'élagueuse à deux mains.
 - Veillez à éloigner toutes les personnes de la zone de chute des branches.
1. Tenez fermement l'élagueuse comme décrit à la section [Couper avec l'élagueuse \(page 23\)](#).
 2. Pour scier les petites branches, exercez une légère pression dessus.

3. Pour les branches de plus gros diamètre, pratiquez une incision peu profonde sous la branche, puis terminez la coupe par le dessus de la branche.
 - A. Coupez par le dessous de la branche à environ 15 cm (6 po) du tronc. Coupez un tiers de l'épaisseur de la branche.
 - B. Coupez de 5 à 10 cm (2 à 4 po) plus loin sur la branche et par le dessus. Sciez la branche jusqu'à ce qu'elle tombe.
 - C. Coupez le chicot au niveau du collet de la branche (Figure 11).

Important: Ne coupez pas la branche au-delà du collet, au ras du tronc, ou ne laissez pas un chicot trop important; cela endommage l'arbre.

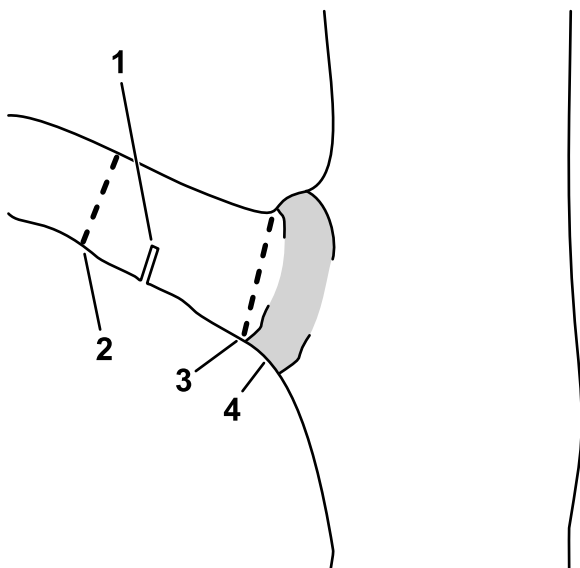


Figure 11

g316577

- | | |
|--------------------------------------|--|
| 1. Première incision sous la branche | 3. Coupe finale de suppression du chicot |
| 2. Deuxième coupe complète | 4. Collet (point de transition entre le tronc et la branche) |

Entretien

Programme d'entretien recommandé

Périodicité d'entretien	Procédure d'entretien
À chaque utilisation ou une fois par jour	<ul style="list-style-type: none">• Contrôlez le niveau d'huile et faites l'appoint d'huile pour guide-chaîne et chaîne au besoin.• Vérifiez que l'huile arrive jusqu'à la chaîne.• Vérifiez et réglez la tension de la chaîne au besoin.• Vérifiez que le guide est droit et en bon état.• Contrôlez le tranchant des dents de la chaîne; demandez à un dépositaire-réparateur agréé d'affûter ou de remplacer la chaîne.
Après chaque cycle de décharge de la batterie	<ul style="list-style-type: none">• Contrôlez le niveau d'huile et faites l'appoint d'huile pour guide-chaîne et chaîne au besoin.• Vérifiez et réglez la tension de la chaîne au besoin.
Toutes les 10 heures	<ul style="list-style-type: none">• Graissez l'élagueuse sur perche.
Une fois par an ou avant le remisage	<ul style="list-style-type: none">• Faites l'entretien du guide, de la chaîne et du pignon d'entraînement.• Contrôlez le tranchant des dents de la chaîne; demandez à un dépositaire-réparateur agréé d'affûter ou de remplacer la chaîne.

Contrôle du niveau d'huile et appoint d'huile pour guide-chaîne et chaîne

Périodicité des entretiens: À chaque utilisation ou une fois par jour
Après chaque cycle de décharge de la batterie

Important: Utilisez uniquement de l'huile pour guide et chaîne (vendue séparément).

1. Arrêtez l'élagueuse et enlevez la batterie; voir [Retrait de la batterie de la tête motrice \(page 22\)](#).
2. Placez l'élagueuse sur une surface plane, avec le bouchon d'huile en haut.
3. Contrôlez le niveau d'huile dans le réservoir d'huile; si le niveau d'huile n'atteint pas le trait du minimum (MIN) sur le réservoir d'huile, faites l'appoint d'huile selon les besoins.

4. Nettoyez la surface autour du bouchon d'huile ([Figure 9](#)).

Remarque: Veillez à ne pas faire tomber de débris/copeaux de bois dans le réservoir d'huile.

5. Retirez le bouchon du réservoir d'huile en le tournant dans le sens antihoraire et versez de l'huile pour guide-chaîne et chaîne dans le réservoir d'huile de l'élagueuse jusqu'à ce que le niveau atteigne le trait MAX sur le réservoir ([Figure 9](#)).

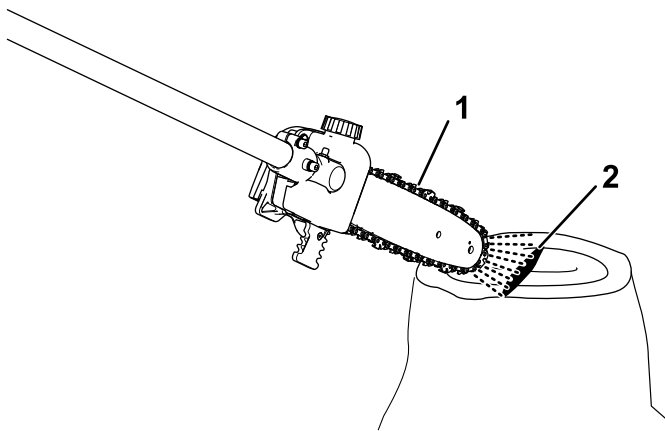
Important: Le niveau d'huile ne doit pas dépasser le trait MAX sur le réservoir d'huile.

6. Nettoyez les coulées d'huile éventuelles et revissez solidement le bouchon en place sur le réservoir d'huile.
7. Vérifiez que l'huile arrive jusqu'à la chaîne; voir [Contrôle du débit d'huile pour guide et chaîne \(page 28\)](#).

Contrôle du débit d'huile pour guide et chaîne

Périodicité des entretiens: À chaque utilisation ou une fois par jour

1. Préparez-vous à utiliser l'élagueuse sur perche; voir [Avant d'utiliser l'élagueuse sur perche \(page 20\)](#).
2. Pour vérifier que l'huile arrive jusqu'à la chaîne, pointez le nez de l'élagueuse à quelques centimètre/pouces au-dessus d'une surface (papier, carton, souche, etc.) et démarrez l'élagueuse; un peu d'huile devrait être pulvérisé sur la surface ([Figure 12](#)).



g358880

Figure 12

1. Faire fonctionner l'élagueuse à quelques centimètres/pouces d'une surface
 2. Si l'huile circule, elle va être pulvérisée sur la surface
-
3. Au besoin, réglez le débit d'huile comme suit :
 - A. Placez l'élagueuse sur une surface plane et horizontale, et retirez la batterie; voir [Retrait de la batterie de la tête motrice \(page 22\)](#).
 - B. Tournez la vis au bas de la tête de l'élagueuse selon le schéma sur le couvercle latéral pour augmenter ou réduire le débit d'huile.
 - C. Contrôlez le débit d'huile pour guide et chaîne; répétez cette procédure jusqu'à obtention du débit d'huile qui convient.
 4. Si l'huile ne circule pas, vérifiez que le réservoir n'est pas vide et que la zone sous le couvercle latéral est propre; voir [Contrôle du niveau d'huile et appoint d'huile pour guide-chaîne et chaîne \(page 27\)](#) et [Entretien du guide, de la chaîne et du pignon d'entraînement \(page 33\)](#).

Réglage de la tension de la chaîne

Périodicité des entretiens: À chaque utilisation ou une fois par jour
Après chaque cycle de décharge de la batterie

Vérifiez que la chaîne est correctement tendue.

Une chaîne détendue réduit la vie utile du pignon d'entraînement et du guide-chaîne, et risque de se rompre.

Une chaîne trop tendue surchauffe et fait surchauffer le guide, ce qui cause une usure rapide et peut faire griller le moteur ou casser la chaîne.

La chaîne est correctement tendue quand vous pouvez la faire tourner librement autour du guide en la tirant de votre main gantée. La chaîne doit rester en contact avec le bord inférieur du guide.

Vérifiez aussi la tension d'une chaîne neuve après les premières coupes; une chaîne neuve a tendance à s'étirer et doit donc être ajustée après quelques coupes.

⚠ DANGER

Tout contact avec les dents de l'élagueuse sur perche peut causer de graves blessures.

- **Retirez la batterie avant tout réglage ou entretien de l'élagueuse sur perche.**
- **Portez toujours des gants pour régler ou faire l'entretien de l'élagueuse.**

1. Placez l'élagueuse sur une surface plane et horizontale, et retirez la batterie; voir [Retrait de la batterie de la tête motrice \(page 22\)](#).
2. Laissez refroidir la chaîne de l'élagueuse.

Important: Ne tendez pas la chaîne quand elle est chaude; elle peut se contracter en refroidissant et deviendra alors trop tendue.

3. Vérifiez si le guide-chaîne est faussé ou endommagé, et remplacez-le si nécessaire.
4. Tournez la vis de l'étui du guide-chaîne dans le sens antihoraire pour desserrer l'étui, mais laissez-le en place ([Figure 13](#)).

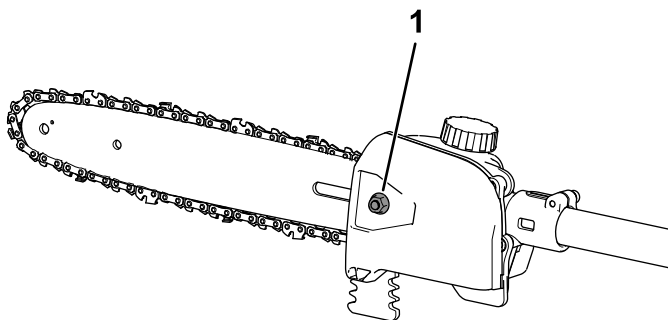
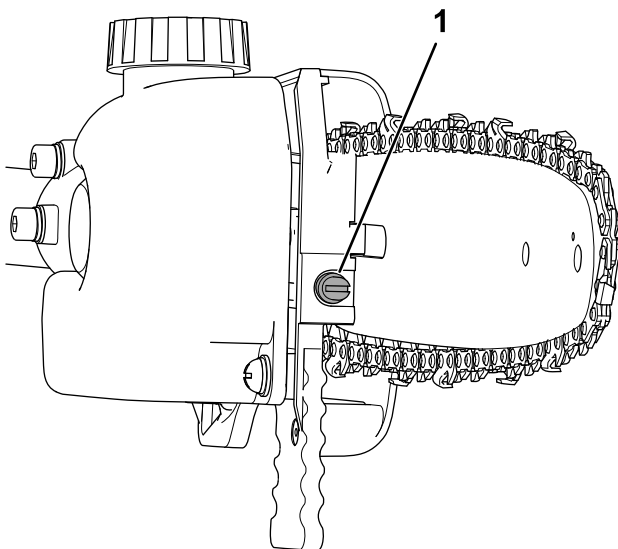


Figure 13

g358882

1. Vis d'étui de guide-chaîne
-

5. À l'aide de la vis de réglage de tension, ajustez la tension de la chaîne ([Figure 14](#)), puis fixez le couvercle latéral sur l'élagueuse en tournant la vis de l'étui du guide-chaîne dans le sens horaire; vérifiez ensuite la tension ([Figure 13](#)).
 - **Pour tendre la chaîne**, tournez la vis de réglage de la tension dans le sens horaire.
 - **Pour détendre la chaîne**, tournez la vis de réglage de la tension dans le sens antihoraire.



g358881

Figure 14

1. Vis de réglage de tension de la chaîne

Réglez la tension jusqu'à ce que la chaîne touche le bord inférieur du guide, puis écartez la chaîne du bord inférieur du guide; si la chaîne est correctement réglée, vous ne pourrez l'écartier du guide que de 3,2 à 6,4 mm ($\frac{1}{8}$ à $\frac{1}{4}$ po), et elle reviendra en place quand vous la relâcherez.

Remarque: Quand vous ajustez la tension de la chaîne, soulevez l'extrémité du guide-chaîne d'une main (assurez-vous de porter un gant); le guide-chaîne ne doit pas s'affaisser et affecter la tension de la chaîne.

6. Enfilez un gant pour tirer la chaîne autour du guide. Une chaîne correctement tendue doit tourner facilement et rester en contact avec le bord inférieur du guide.
7. Si la tension de la chaîne n'est pas correcte, répétez les opérations 4 à 7.

Entretien du guide, de la chaîne et du pignon d'entraînement

Une fois par an ou avant le remisage

⚠ DANGER

Tout contact avec les dents de l'élagueuse sur perche peut causer de graves blessures.

- Retirez la batterie avant tout réglage ou entretien de l'élagueuse sur perche.
 - Portez toujours des gants pour régler ou faire l'entretien de l'élagueuse.
1. Placez l'élagueuse sur une surface plane et horizontale, et retirez la batterie; voir [Retrait de la batterie de la tête motrice \(page 22\)](#).
 2. Déposez le couvercle latéral; tournez la vis de l'étui du guide-chaîne dans le sens antihoraire jusqu'à ce que la vis puisse être retirée, puis déposez le couvercle latéral ([Figure 15](#)).

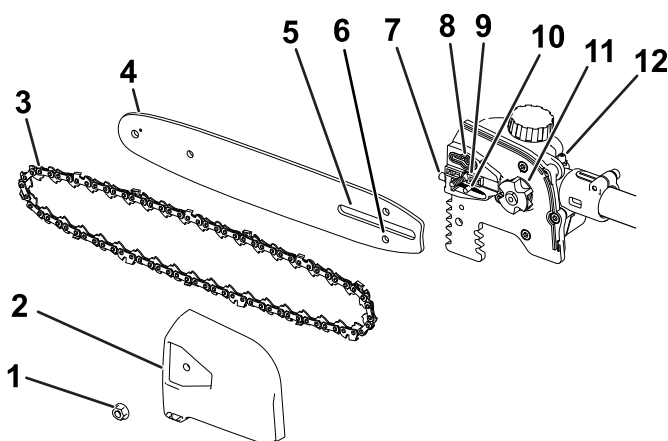


Figure 15

g363400

- | | | |
|-----------------------|--|------------------------------------|
| 1. Écrou du couvercle | 5. Fente du guide-chaîne | 9. Goujon d'étui de guide-chaîne |
| 2. Protège-chaîne | 6. Fente du goujon de réglage de la chaîne | 10. Goujon de réglage de la chaîne |
| 3. Chaîne | 7. Vis de réglage de tension de la chaîne | 11. Pignon d'entraînement |
| 4. Guide-chaîne | 8. Sortie d'huile | 12. Graisseur |

3. Détendez la chaîne en tournant la vis de tension dans le sens antihoraire (Figure 14).
4. Enlevez la chaîne du guide et mettez-les de côté.
5. Enlevez les débris sous le couvercle latéral.

Important: Vérifiez que le goujon de réglage de la chaîne est bien inséré dans la fente correspondante sur le guide-chaîne (Figure 15).

Vous devez peut-être tourner la vis de réglage de tension de la chaîne pour pouvoir enfilez le goujon dans la fente du guide (Figure 15).

6. Examinez le pignon d'entraînement et remplacez-le s'il est excessivement usé ou endommagé; adressez-vous à votre dépositaire-réparateur agréé.
7. Contrôlez la sortie d'huile (Figure 15) et enlevez les débris éventuellement présents.
8. Nettoyez le guide-chaîne et la chaîne; utilisez du fil de fer ou un petit tournevis à lame plate pour enlever la saleté et les débris accumulés dans la gorge, le long du bord du guide, en commençant par le pignon avant et en continuant vers l'arrière.

Vérifiez que le passage d'huile du guide, qui est dans l'alignement de la sortie d'huile, est propre afin que l'huile puisse s'écouler librement vers la chaîne (Figure 16).

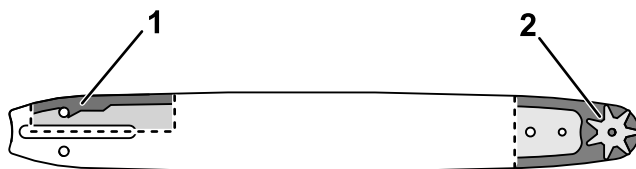


Figure 16

Sections internes du guide-chaîne montrées

1. Vérifier la propreté de ce passage relié à la sortie d'huile
2. Vérifier que le pignon du guide est propre et tourne librement

-
9. Examinez le guide et la chaîne; si le guide est faussé, les gorges sont endommagées, ou le pignon avant ne tourne pas librement, remplacez le guide; remplacez la chaîne si elle est excessivement usée ou endommagée.
 10. Installez le guide et la chaîne; voir [Installation du guide et de la chaîne \(page 35\)](#).

11. Vérifiez que l'huile arrive jusqu'à la chaîne; voir [Contrôle du débit d'huile pour guide et chaîne \(page 28\)](#).

Graissage de l'élagueuse sur perche

Périodicité des entretiens: Toutes les 10 heures

Type de graisse : universelle.

1. Placez l'élagueuse sur une surface plane et horizontale, et retirez la batterie; voir [Retrait de la batterie de la tête motrice \(page 22\)](#).
2. Nettoyez le graisseur avec un chiffon ([Figure 15](#)).
3. Raccordez un pistolet de graissage au graisseur et injectez de la graisse à l'intérieur jusqu'à ce qu'elle commence à suinter hors du graisseur.
4. Essuyez tout excès de graisse.

Installation du guide et de la chaîne

▲ DANGER

Tout contact avec les dents de l'élagueuse sur perche peut causer de graves blessures.

- **Retirez la batterie avant tout réglage ou entretien de l'élagueuse sur perche.**
 - **Portez toujours des gants pour régler ou faire l'entretien de l'élagueuse.**
1. Si le couvercle latéral est installé, déposez-le; voir [Entretien du guide, de la chaîne et du pignon d'entraînement \(page 33\)](#).
 2. Placez la chaîne autour du pignon à l'extrémité avant du guide, **en dirigeant vers l'avant le bord coupant des dents au sommet du guide**, comme montré sur le schéma figurant sous le couvercle latéral de l'élagueuse.
 3. Continuez d'engager la chaîne autour du guide en alignant la chaîne dans la gorge du guide.
- Remarque:** Si vous installez une chaîne neuve, retournez le guide pour éviter une usure irrégulière.
4. Placez la boucle ouverte de la chaîne (qui n'est pas sur le guide) autour du pignon d'entraînement de l'élagueuse, puis montez le guide et la chaîne fixée en place sur l'élagueuse.
 5. Posez le couvercle latéral, mais ne serrez pas complètement la vis.

6. Réglez la tension de la chaîne; voir [Réglage de la tension de la chaîne \(page 29\)](#).

Affûtage de la chaîne

Une fois par an ou avant le remisage

Une chaîne bien affûtée produit une coupe de meilleure qualité et prolonge la vie de la batterie.

La chaîne doit être affûtée ou remplacée si vous êtes obligé(e) de forcer pour qu'elle rentre dans le bois ou si elle produit de la sciure plutôt que des copeaux.

Adressez-vous à un dépositaire-réparateur agréé pour faire affûter ou remplacer la chaîne.

Entretien

Si l'élagueuse nécessite un entretien, confiez-la à un dépositaire-réparateur agréé.

Remisage

Important: Remisez la machine, la batterie et le chargeur uniquement à des températures comprises dans la plage adéquate; voir [Caractéristiques techniques \(page 19\)](#).

Important: Si vous remisez la batterie à la fin de la saison, chargez-la jusqu'à ce que 1 ou 2 de ses diodes soient vertes. Ne remisez pas une batterie complètement chargée ou complètement déchargée. Avant de remettre la machine en service, chargez la batterie jusqu'à ce que la DEL gauche du chargeur devienne verte ou que les 4 DEL de la batterie deviennent vertes.

- Débranchez la machine de l'alimentation (autrement dit, retirez la batterie) et recherchez tout dommage éventuel après utilisation.
- Débarrassez la machine de tout corps étranger.
- Ne remisez pas la machine en laissant la batterie en place.
- Rangez la machine, la batterie et le chargeur dans un endroit bien aéré, hors de la portée des enfants.
- Gardez la machine, la batterie et le chargeur à l'écart des agents corrosifs, tels les produits chimiques de jardinage et les sels de dégivrage.

- Pour réduire les risques de blessures graves, ne rangez pas la batterie à l'extérieur ou dans un véhicule.
- Rangez la machine, la batterie et le chargeur dans un local fermé, propre et sec.

Dépistage des défauts

Effectuez uniquement les opérations décrites dans cette notice. Tout autre contrôle, entretien ou réparation doit être réalisé par un centre d'entretien agréé ou un spécialiste qualifié si vous n'arrivez pas à résoudre le problème vous-même.

Retirez toujours la batterie avant de dépanner, de contrôler, de nettoyer ou de faire l'entretien de l'outil.

Problème	Cause possible	Mesure corrective
L'élagueuse sur perche ne fonctionne pas ou fonctionne par intermittence.	<ol style="list-style-type: none">1. La charge de la batterie est faible.2. La batterie n'est pas bien enclenchée.3. La température de la batterie est supérieure ou inférieure à la plage de température adéquate.4. La batterie a dépassé les limites supérieures d'intensité.5. Il y a de l'humidité sur les fils de la batterie.6. Des débris sont agglomérés sous le couvercle.	<ol style="list-style-type: none">1. Rechargez la batterie.2. Insérez la batterie tout au fond de son logement.3. Placez la batterie dans un endroit sec, où la température est comprise entre 5 °C (41 °F) et 40 °C (104 °F).4. Relâchez la gâchette puis actionnez-la de nouveau.5. Laissez sécher ou essuyez la batterie.6. Déposez et nettoyez le couvercle.
L'élagueuse fonctionne, mais la chaîne ne tourne pas.	<ol style="list-style-type: none">1. La chaîne n'est pas engagée correctement sur le pignon d'entraînement.2. Des débris sont agglomérés sous le couvercle.	<ol style="list-style-type: none">1. Réinstallez la chaîne en prenant soin de bien engager les maillons sur le pignon d'entraînement.2. Déposez et nettoyez le couvercle.

Problème	Cause possible	Mesure corrective
L'élagueuse ne coupe pas correctement.	<ol style="list-style-type: none"> 1. La chaîne n'est pas tendue correctement. 2. La chaîne est émoussée ou endommagée. 3. Le guide est faussé ou les gorges sont endommagées. 4. La chaîne est montée à l'envers. 5. La chaîne n'est pas lubrifiée correctement. 	<ol style="list-style-type: none"> 1. Corrigez la tension de la chaîne. 2. Remplacez la chaîne. 3. Remplacez le guide 4. Remontez la chaîne dans le bon sens. 5. Contrôlez le niveau d'huile et vérifiez que l'huile arrive jusqu'à la chaîne.
L'huile de la chaîne produit pas un graissage correct.	<ol style="list-style-type: none"> 1. Le niveau d'huile est trop bas. 2. La sortie d'huile est bouchée. 3. Des débris sont agglomérés sous le couvercle. 4. Le passage d'huile ou la gorge du guide-chaîne est bouché(e). 	<ol style="list-style-type: none"> 1. Contrôlez le niveau d'huile. 2. Débouchez la sortie d'huile. 3. Déposez et nettoyez le couvercle. 4. Nettoyez le guide-chaîne.

Proposition 65 de Californie – Information concernant cet avertissement

En quoi consiste cet avertissement?

Certains produits commercialisés présentent une étiquette d'avertissement semblable à ce qui suit :



AVERTISSEMENT : Cancer et troubles de la reproduction – www.p65Warnings.ca.gov.

Qu'est-ce que la Proposition 65?

La Proposition 65 s'applique à toute société exerçant son activité en Californie, qui vend des produits en Californie ou qui fabrique des produits susceptibles d'être vendus ou importés en Californie. Elle stipule que le Gouverneur de Californie doit tenir et publier une liste des substances chimiques connues comme causant des cancers, malformations congénitales et/ou autres troubles de la reproduction. Cette liste, qui est mise à jour chaque année, comprend des centaines de substances chimiques présentes dans de nombreux objets du quotidien. La Proposition 65 a pour objet d'informer le public quant à l'exposition à ces substances chimiques.

La Proposition 65 n'interdit pas la vente de produits contenant ces substances chimiques, mais impose la présence d'avertissements sur tout produit concerné, sur son emballage ou sur la documentation fournie avec le produit. D'autre part, un avertissement de la Proposition 65 ne signifie pas qu'un produit est en infraction avec les normes ou exigences de sécurité du produit. De fait, le gouvernement californien a clairement précisé qu'un avertissement de la Proposition 65 « était différent d'une décision réglementaire établissant l'innocuité d'un produit ». Bon nombre de ces substances chimiques sont utilisées dans des produits du quotidien depuis des années, sans aucun effet nocif documenté. Pour plus de renseignements, rendez-vous sur <https://oag.ca.gov/prop65/faqs-view-all>.

Un avertissement de la Proposition 65 signifie qu'une société a soit (1) évalué l'exposition et conclu qu'elle dépassait le « niveau ne posant aucun risque significatif »; soit (2) choisi d'émettre un avertissement simplement sur la base de sa compréhension quant à la présence d'une substance chimique de la liste, sans tenter d'en évaluer l'exposition.

Cette loi s'applique-t-elle partout?

Les avertissements de la Proposition 65 sont exigés uniquement en vertu de la loi californienne. Ces avertissements sont présents dans tout l'état de Californie, dans des environnements très variés, notamment mais pas uniquement les restaurants, magasins d'alimentation, hôtels, écoles et hôpitaux, et sur un vaste éventail de produits. En outre, certains détaillants en ligne et par correspondance fournissent des avertissements de la Proposition 65 sur leurs sites internet ou dans leurs catalogues.

Quelles différences entre les avertissements de Californie et les limites fédérales?

Les normes de la Proposition 65 sont souvent plus strictes que les normes fédérales et internationales. Diverses substances exigent un avertissement de la Proposition 65 à des niveaux bien inférieurs aux limites d'intervention fédérales. Par exemple, la norme de la Proposition 65 en matière d'avertissements pour le plomb se situe à 0,5 µg/jour, soit bien moins que les normes fédérales et internationales.

Pourquoi l'avertissement ne figure-t-il pas sur tous les produits semblables?

- Pour les produits commercialisés en Californie, l'étiquetage Proposition 65 est exigé, tandis qu'il ne l'est pas sur des produits similaires commercialisés ailleurs.
- Il se peut qu'une société impliquée dans un procès lié à la Proposition 65 et parvenant à un accord soit obligée d'utiliser les avertissements de la Proposition 65 pour ses produits, tandis que d'autres sociétés fabriquant des produits semblables peuvent ne pas être soumises à cette obligation.
- L'application de la Proposition 65 n'est pas uniforme.
- Certaines sociétés peuvent choisir de ne pas indiquer d'avertissements car elles considèrent qu'elles n'y sont pas obligées au titre de la Proposition 65; l'absence d'avertissements sur un produit ne signifie pas que le produit ne contient pas de substances de la liste à des niveaux semblables.

Pourquoi inclure cet avertissement?

Notre société a choisi de fournir aux consommateurs le plus d'information possible afin qu'ils puissent prendre des décisions éclairées quant aux produits qu'ils achètent et utilisent. Nous fournissons des avertissements basés, dans certains cas, sur nos connaissances quant à la présence de l'une ou plusieurs des substances chimiques de la liste, sans en évaluer le niveau d'exposition, car des exigences de limites ne sont pas fournies pour tous les produits chimiques de la liste. Bien que l'exposition avec nos produits puisse être négligeable ou parfaitement dans les limites « sans aucun risque significatif », nous avons décidé, par mesure de précaution, de fournir les avertissements de la Proposition 65. De plus, en l'absence de ces avertissements, notre société pourrait faire l'objet de poursuites par l'État de Californie ou par des particuliers cherchant à faire appliquer la Proposition 65, et donc être assujettie à d'importantes pénalités.