



Count on it.

Parts Catalog

**Power Rotating Log Grapple
Attachment**

Model No. 23138—Serial No. 324000000 and Up



Ordering Replacement Parts

To order replacement parts, please supply the part number, the quantity, and the description of each part desired.

Understanding Reference Numbers

Each identified part in an illustration has a reference number. The reference number for a part also appears in the parts list, along with other information about the part.

This catalog uses two special reference number formats, one to indicate parts in a service assembly and another to indicate the quantity of a given part in an illustration.

Service Assembly Reference Numbers

Parts in service assemblies have reference numbers in the form a:b. The a represents the reference number of the entire service assembly and the b represents a sequential number unique to each part within the service assembly.

For example, a wheel assembly might be identified by reference number 6, the tire by 6:1, the valve by 6:2, and the wheel by 6:3. When you order the assembly identified by reference number 6, you receive all parts identified by reference numbers 6:1, 6:2, and 6:3. However, you may also order any part individually. Reference numbers of this type appear in illustration and in parts lists.

Reference Numbers Indicating Quantity

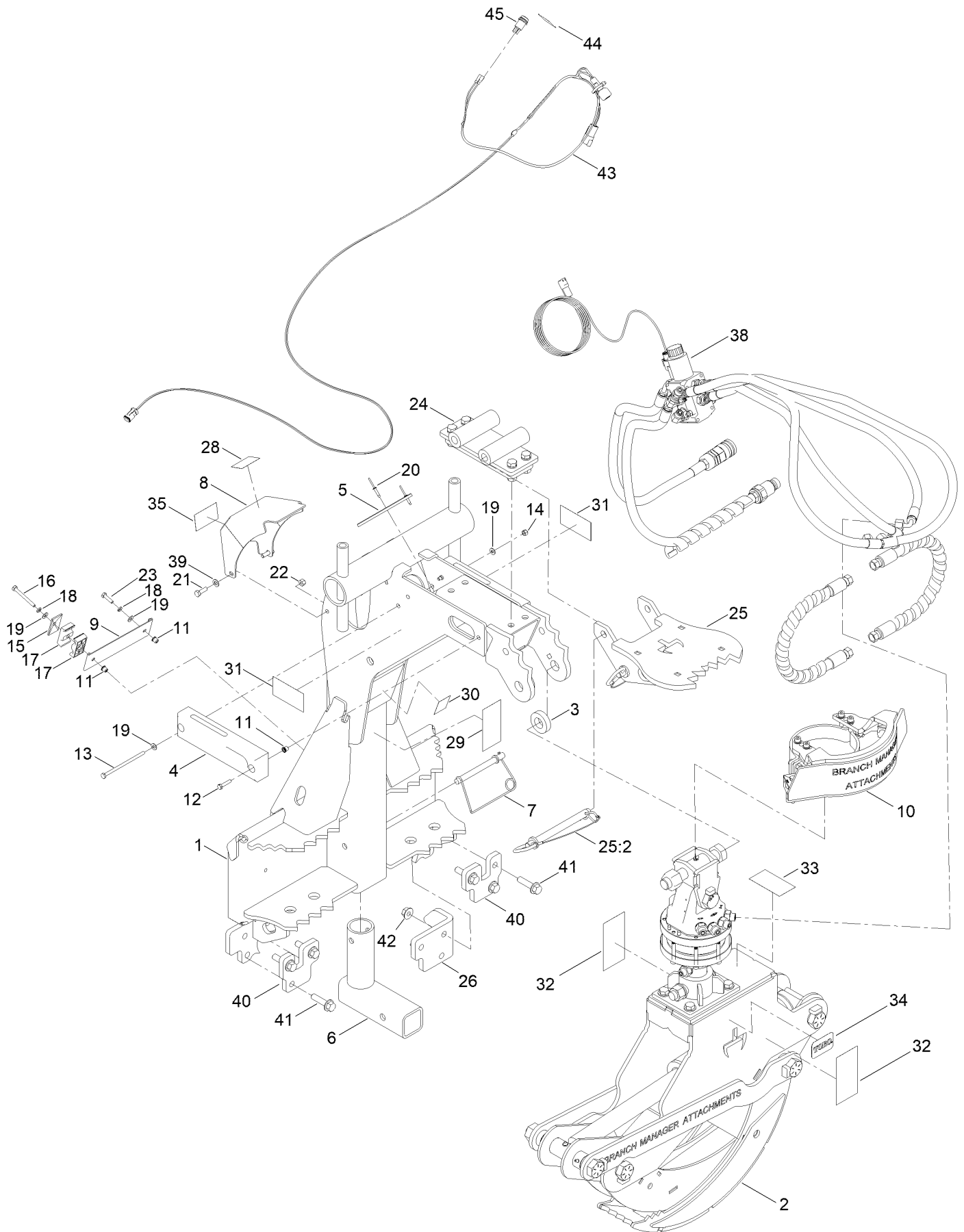
In an illustration, if a reference number indicates more than one part, the reference number has the form nX y. The n represents the quantity of the part, the X is the multiplication symbol, and the y represents the reference number.

For example, in an illustration, the reference number 2X 37 means that two of the parts identified by reference number 37 are indicated.

Contents

Power Rotating Log Grapple Assembly 4
Powered Grapple Assembly No. 163-3580 6
Rotator Body Assembly No. 163-3596 8
Hoses and Diverter Assembly 10

Power Rotating Log Grapple Assembly

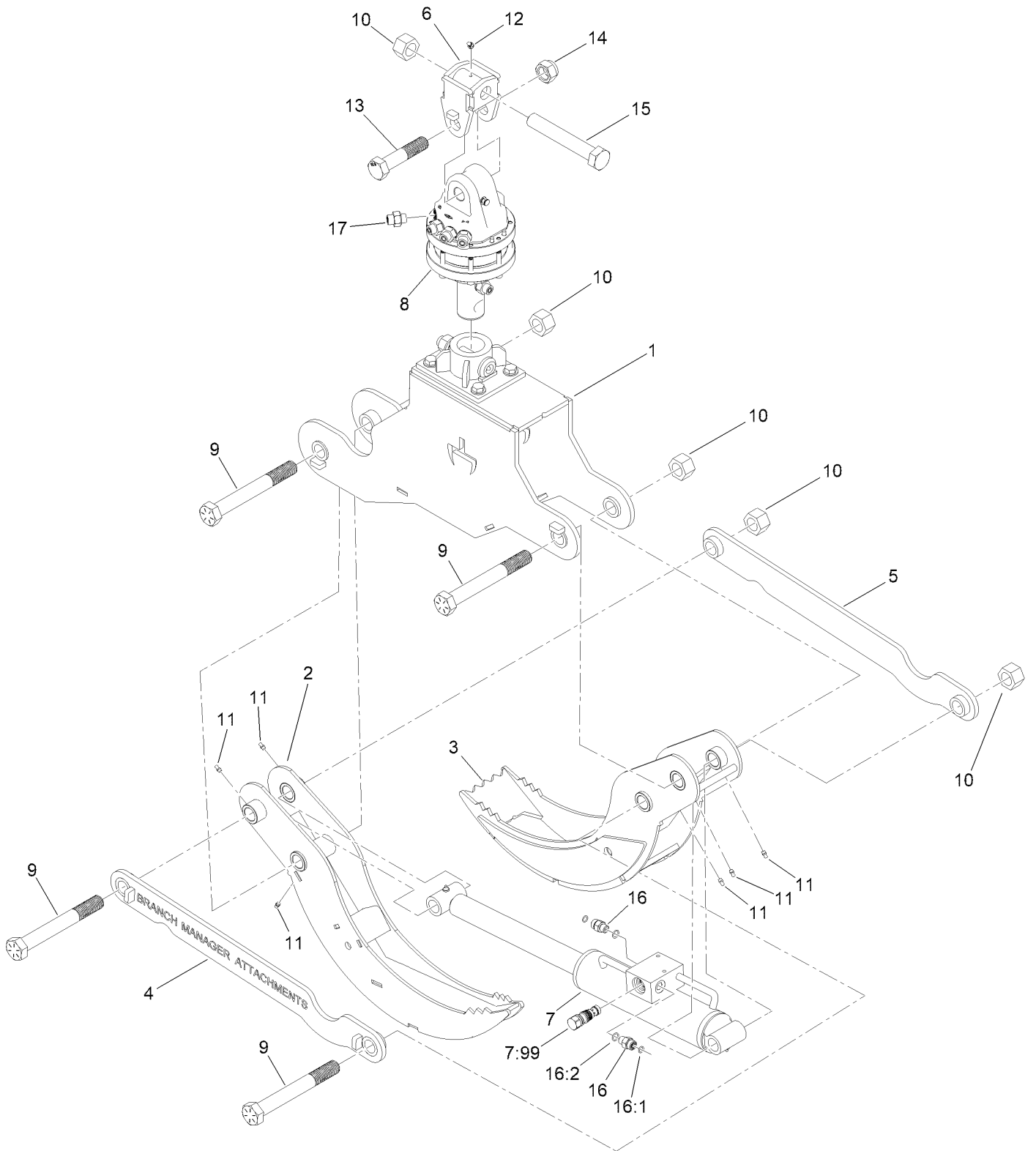


Power Rotating Log Grapple Assembly (continued)

<i>Ref.</i>	<i>Part Number</i>	<i>Qty.</i>	<i>Description</i>	<i>Ref.</i>	<i>Part Number</i>	<i>Qty.</i>	<i>Description</i>
1	163-3577	1	Frame-Hanger, Pwr Log Grapple	23	321-6	1	Screw-HH
2	163-3580	1	Powered Grapple Head	24	163-3616	1	Protector-Hose, Mount ASM
3	163-3555	2	Spacer, Hanger	25	163-3595	1	Protector-Hose, Front ASM
4	163-3557	2	Scabbard-Saw	25:2	163-3615	2	Pin/Lanyard ASM
5	163-3558	1	Protector-Hose, Rear	26	163-8873	1	Bracket, LH
6	163-3556	1	Hitch-Receiver	28	163-3626	1	Decal-Bollard Capacity
7	127-0897	1	Pin-Lynch	29	163-3625	1	Decal-Collision Hazard
8	163-3578	1	Cover-Diverter	30	163-3628	1	Decal-Hitch Capacity
9	163-3565	1	Bracket-Hose Mount	31	163-3629	2	Decal-Crushing Warning
10	163-3579	1	Hose Guard ASM	32	147-5649	2	Decal-Warning Moving Parts
11	163-3562	6	Nut-Insert	33	163-3630	1	Decal-Moving Parts ISO
12	321-8	4	Screw-HH	34	138-4105	1	Decal-Logo
13	321-36	1	Screw-HH	35	163-3627	1	Decal-Rated Capacity
14	3296-42	1	Nut-Lock, NI	38		1	Hoses And Diverter ASM ●
15	163-3581	1	Top, Hose Clamp	39	3256-23	2	Washer-Plain
16	321-15	1	Screw-HH	40	163-8874	2	Bracket, Backstop
17	163-3582	2	Clamp-Hose, Plastic	41	133-0041	6	Screw-HF
18	1-805004	2	Washer-Lock	42	32128-49	6	Nut-HHF
19	3256-1	6	Washer-Flat	43	122-4258	1	Harness-Wire, Grapple Kit Tx1300
20	3269-28	2	Rivet-Pop	44	163-5347	1	Decal-Grapple Attachment
21	322-5	2	Screw-HH	45	131-0040	1	Lamp-Indicator, LED
22	3296-29	2	Nut-Lock, NI				

● Not serviced separately

Powered Grapple Assembly No. 163-3580

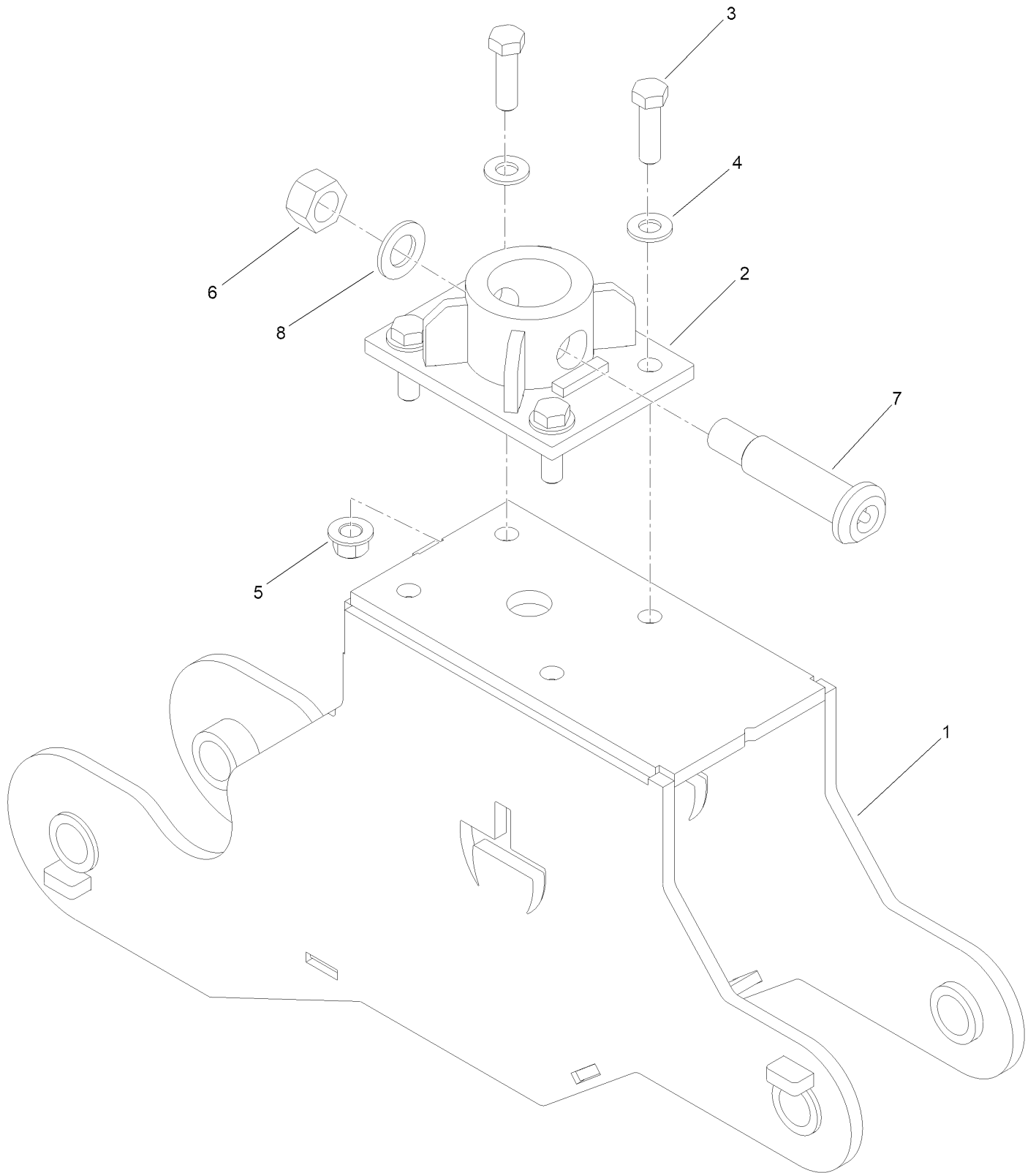


Powered Grapple Assembly No. 163-3580 (continued)

<i>Ref.</i>	<i>Part Number</i>	<i>Qty.</i>	<i>Description</i>	<i>Ref.</i>	<i>Part Number</i>	<i>Qty.</i>	<i>Description</i>
1	163-3596	1	Body-Rotator ASM	9	163-3575	4	Screw-HH
2	163-3567	1	Arm-Grapple, Small	10	HDW07704	5	Nut
3	163-3568	1	Arm-Grapple, Large	11	302-19	6	Fitting-Grease
4	163-3569	1	Arm-Transfer, Front	12	302-61	1	Fitting-Grease
5	163-3570	1	Arm-Transfer, Rear	13	163-3599	1	Screw-HH
6	163-3597	1	Knuckle-Rotator	14	136-4832	1	Nut-Hex
7	163-3572	1	Cylinder	15	120-0887	1	Screw-HH
7:99	163-3612	1	Kit-Seal Cylinder ●	16	340-2	2	Fitting-Straight
7:99	163-3613	1	Valve-Check	16:1	237-22	1	O-Ring
8	163-3598	1	Rotator-HYD	16:2	237-42	1	O-Ring
8:99	163-3611	1	Kit-Seal Rotator ●	17	163-3600	6	Fitting-Straight, Washer

● Not illustrated

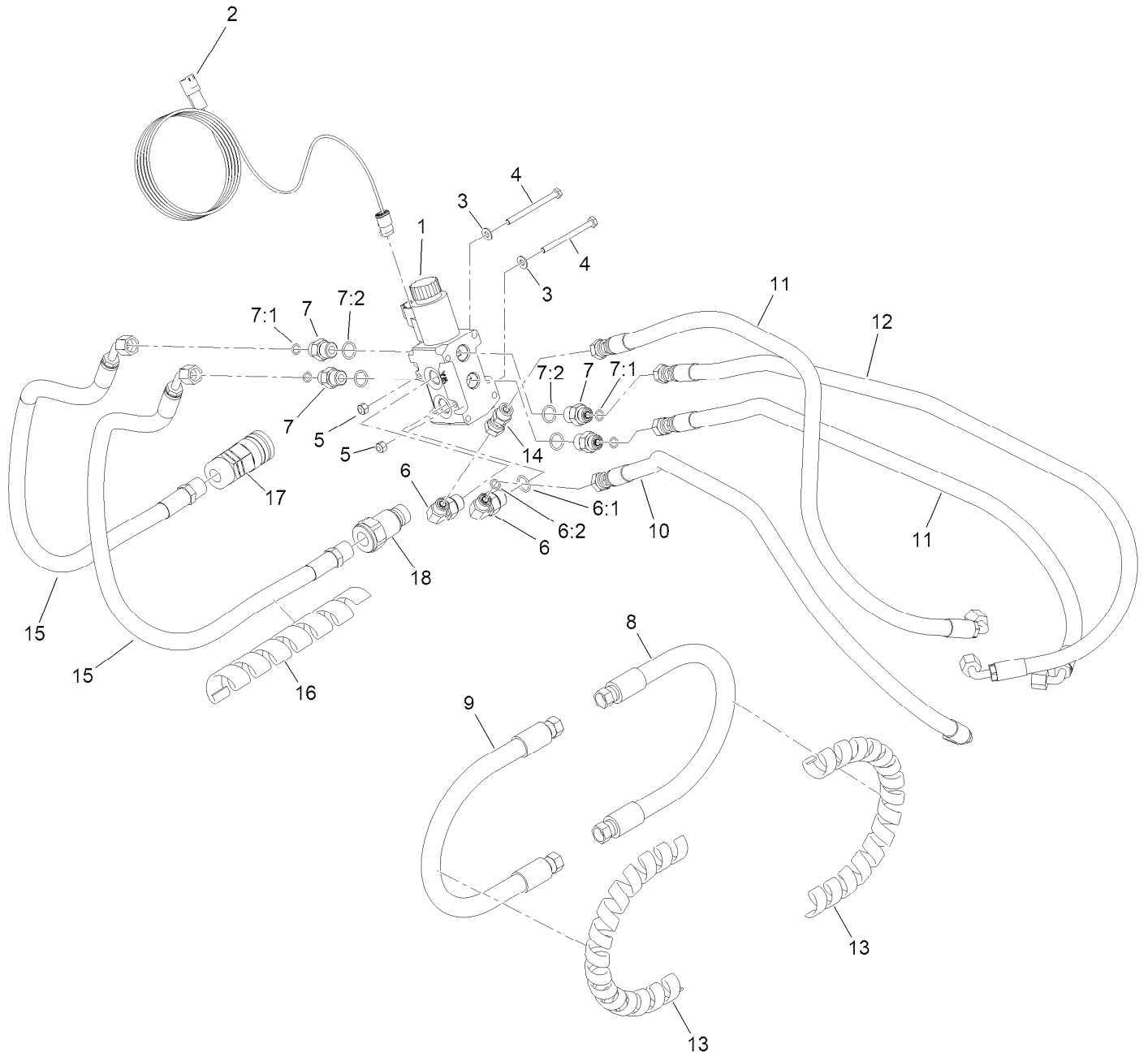
Rotator Body Assembly No. 163-3596



Rotator Body Assembly No. 163-3596 (continued)

<i>Ref.</i>	<i>Part Number</i>	<i>Qty.</i>	<i>Description</i>	<i>Ref.</i>	<i>Part Number</i>	<i>Qty.</i>	<i>Description</i>
1	163-3601	1	Body-Head	5	139-1689	4	Nut-HF
2	163-3602	1	Bracket-Rotator	6	33029-00	1	Nut-Lock, NI
3	121-1524	4	Screw-HH	7	163-3603	1	Pin-Rotator
4	3256-26	4	Washer-Flat	8	33099-00	1	Washer-Flat

Hoses and Diverter Assembly



Hoses and Diverter Assembly (continued)

<i>Ref.</i>	<i>Part Number</i>	<i>Qty.</i>	<i>Description</i>	<i>Ref.</i>	<i>Part Number</i>	<i>Qty.</i>	<i>Description</i>
1	163-3592	1	Valve-Diverter	10	163-3585	1	Hose ASM
2	163-3593	1	Harness-Diverter	11	163-3586	2	Hose ASM
3	3256-1	2	Washer-Flat	12	163-3587	1	Hose ASM
4	321-20	2	Screw-HH	13	163-3589	2	Wrap-Spiral
5	3296-42	2	Nut-Lock, NI	14	163-3591	1	Fitting-Straight, Restrictor
6	340-18	2	Fitting-HYD, 90 DEG	15	163-3588	2	Hose ASM
6:1	237-79	1	O-Ring	16	163-3590	1	Wrap-Spiral
6:2	237-22	1	O-Ring	17	163-3560	1	Coupler-Female, Flat Face
7	340-3	4	Fitting-Straight	18	163-3559	1	Coupler-Male, Flat Face
7:1	237-22	1	O-Ring	99	163-3622	2	Sleeve-Hose, 74 In ●
7:2	237-79	1	O-Ring	99	163-3621	1	Sleeve-Hose, 51 In ●
8	163-3583	1	Hose ASM	99	163-3620	2	Sleeve-Hose, 45 In ●
9	163-3584	1	Hose ASM	99	163-3619	1	Sleeve-Hose, 43 In ●

● Not illustrated



Count on it.