



Z500 Z Master[®] With 52in TURBO FORCE Side Discharge Mower

Model No. 74242 - 240003001 and up.

Parts Catalog

Ordering Replacement Parts

To order replacement parts, please supply the part number, the quantity, and the description of each part desired.

Understanding Reference Numbers

Each Identified part in an illustration has a reference number. The reference number for a part also appears in the parts list, along with other information about the part.

This catalog uses two special reference number formats, one to indicate parts in a service assembly and another to indicate the quantity of a given part in an illustration.

Service Assembly Reference Numbers

Parts in service assemblies have reference numbers in the form a:b. The a represents the reference number of the entire service assembly and the b represents a sequential number unique to each part within the service assembly.

For example, a wheel assembly might be identified by reference number 6, the tire by 6:1, the valve by 6:2, and the wheel by 6:3. When you order the assembly identified by reference number 6, you receive all parts identified by reference numbers 6:1, 6:2, and 6:3. However, you may also order any part individually. Reference numbers of this type appear in illustrations and in part lists.

Reference Numbers Indicating Quantity

In an illustration, if a reference number indicates more than one part, the reference number has the form nX y. The n represents the quantity of the part, the X is the multiplication symbol, and the y represents the reference number.

For example, in an illustration, the reference number 2X 37 means that two of the parts identified by reference number 37 are indicated.

Part Description Abbreviations

Part descriptions in this catalog may include the following abbreviations.

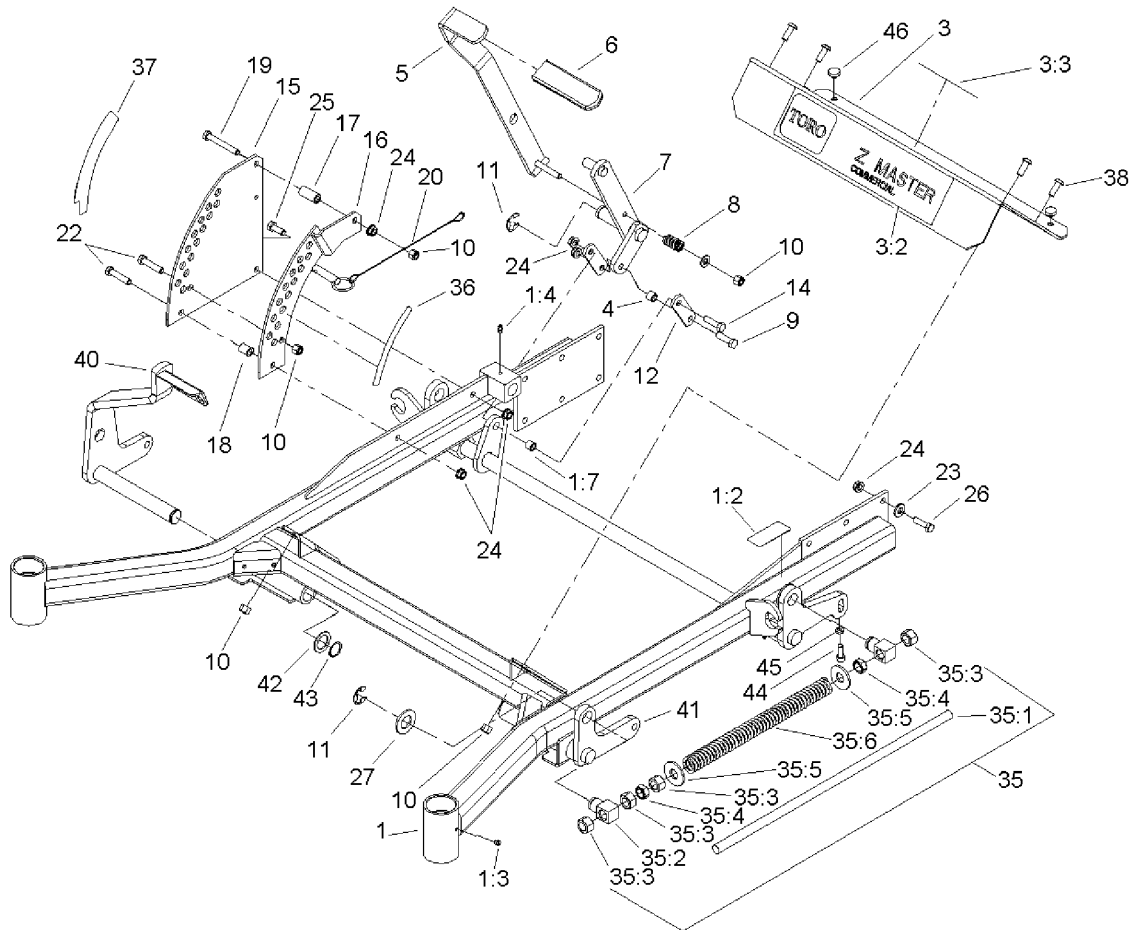
AR.	as required	HYD.	hydraulic
ASM.	assembly	INC.	incorporated
CARR.	carriage	LH.	left hand
DEG.	degrees	NI.	nylon insert
FH.	flat head	PPH.	phillips pan head
GA.	gauge	PTH.	phillips truss head
HF.	hex flange	PTO.	power take off
HH.	hex head	RH.	right hand
HHF.	hex head flange	SFH.	slotted fillister head
HHFTF.	hex head flange thread forming	SHH.	slotted hex head
HJ.	hex jam	SHWH.	slotted hex washer head
HLH.	hex lag head	SPH.	slotted pan head
HOC.	height-of-cut	SQH.	square head
HS.	hex	SRH.	slotted round head
HSBH.	hex socket button head	STD.	standard
HSFH.	hex socket flat head	TAP.	self tapping
HSH.	hex socket head	TTH.	torx truss head
HWH.	hex washer head	WH.	wing head
HWHTF.	hex washer head thread forming		

Footnotes

- ❶ Not illustrated
- ❷ Obtain Parts From Your Local Kohler Dealer
- ❸ Not serviced separately

Contents

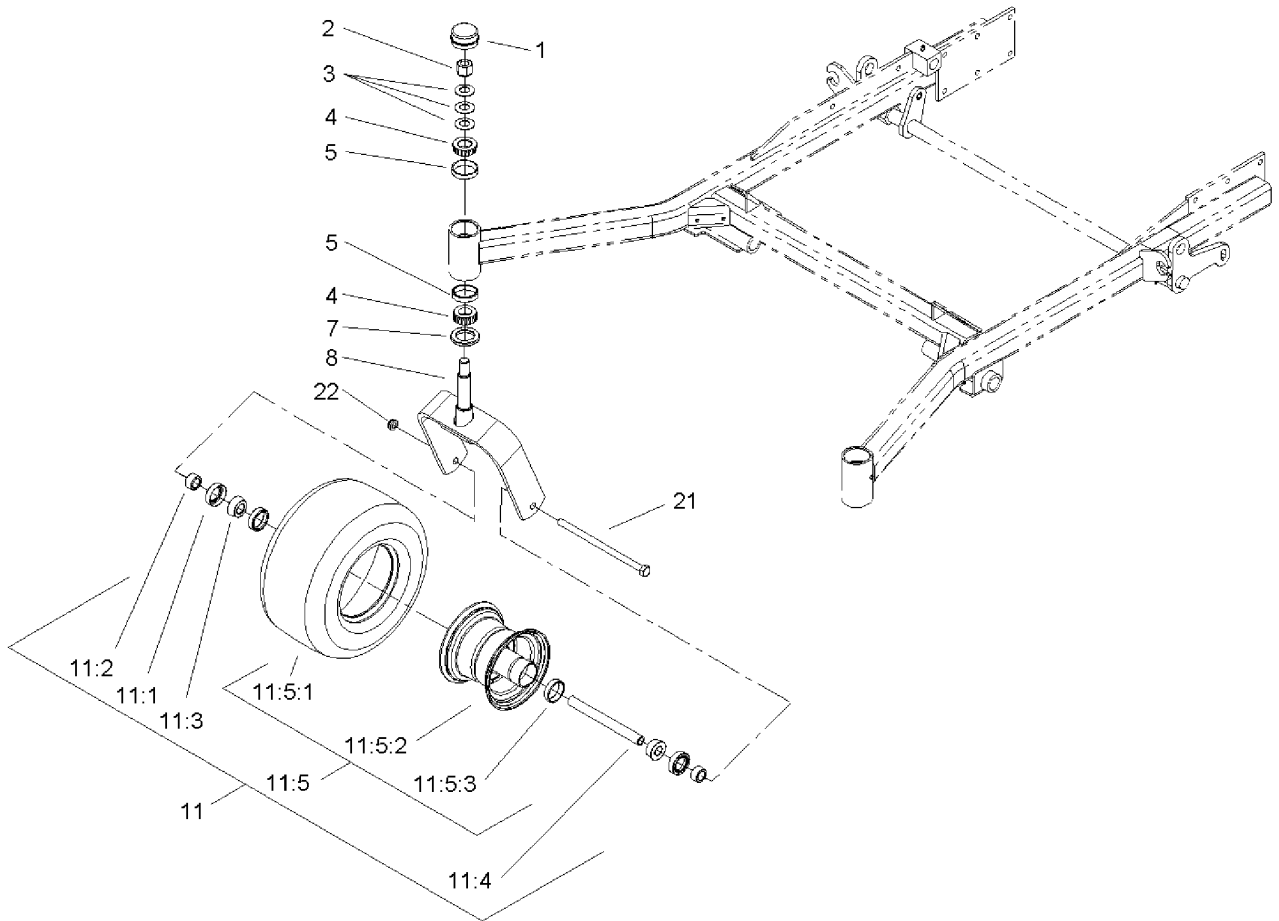
Description	Page	Description	Page
Front Frame Assembly	3	Oil Pan and Lubrication Assembly Kohler CH20 PS-64706	26
Caster and Wheel Assembly	4	Head / Valve / Breather Assembly Kohler CH20 PS-64706	27
Main Frame Assembly	5	Ignition / Electrical Assembly Kohler CH20 PS-64706	28
Brake and Wheel Hub Assembly	6	Blower Housing Assembly Kohler CH20 PS-64706	29
Steering Control Assembly	7	Starter Assembly Kohler CH20 PS-64706	30
Hydraulic System Assembly	8	Fuel System Assembly Kohler CH20 PS-64706	31
Seat and Roll-Over-Protection-System Assembly	10	Engine Control Assembly Kohler CH20 PS-64706	32
Seat Assembly No. 107-1867	11	Air Intake / Filtration Assembly Kohler CH20 PS-64706	33
Roll-Over Protection System (ROPS) Assembly No. 107-0038	12	Exhaust Assembly Kohler CH20 PS-64706	34
Deck Mounting Assembly	13		
Drive Idler Assembly	14		
Engine and Clutch Assembly	15		
Shield and Guard Assembly	16		
Fuel System Assembly	17		
Electrical System Assembly	18		
Deck Assembly	19		
Spindle Assembly No. 106-3217	21		
Deck Decal Assembly No. 107-1623	22		
Rubber Deflector Assembly No. 106-3249	23		
Crankshaft Assembly Kohler CH20 PS-64706	24		
Crankcase Assembly Kohler CH20 PS-64706	25		



Front Frame Assembly

Ref	Part No.	Qty.	Description
1	106-8978	1	Frame ASM
1:2	107-1857	1	Decal-Brake, Parking
1:3	1-811010	2	Plug
1:4	302-19	5	Fitting-Grease
1:7	103-1918	1	Bushing
3	106-9981	1	Front Floorpan ASM
3:2	106-7451	1	Decal
3:3	107-2112	1	Decal-Warning
4	103-1918	1	Bushing
5	103-2083-03	1	Lever-Lift
6	1-633295	1	Grip-Lever, Lift
7	103-2064-03	1	Arm-Lift, Deck
8	1-633325	1	Spring-Compression
9	3256-24	1	Washer-Flat
10	3296-39	9	Nut-Lock, NI
11	32151-103	5	Ring-Snap
12	1-633068	2	Arm-Lift, Deck
14	323-29	2	Screw-HH
15	1-633889-01	1	Plate-Lift, Deck
16	1-632899-01	1	Plate-Lift, Deck
17	1-633082	1	Bushing-Lever, Lift
18	1-633080	1	Bushing-Lever, Lift
19	323-13	1	Screw-HH
20	106-9951	1	Hitch Pin ASM

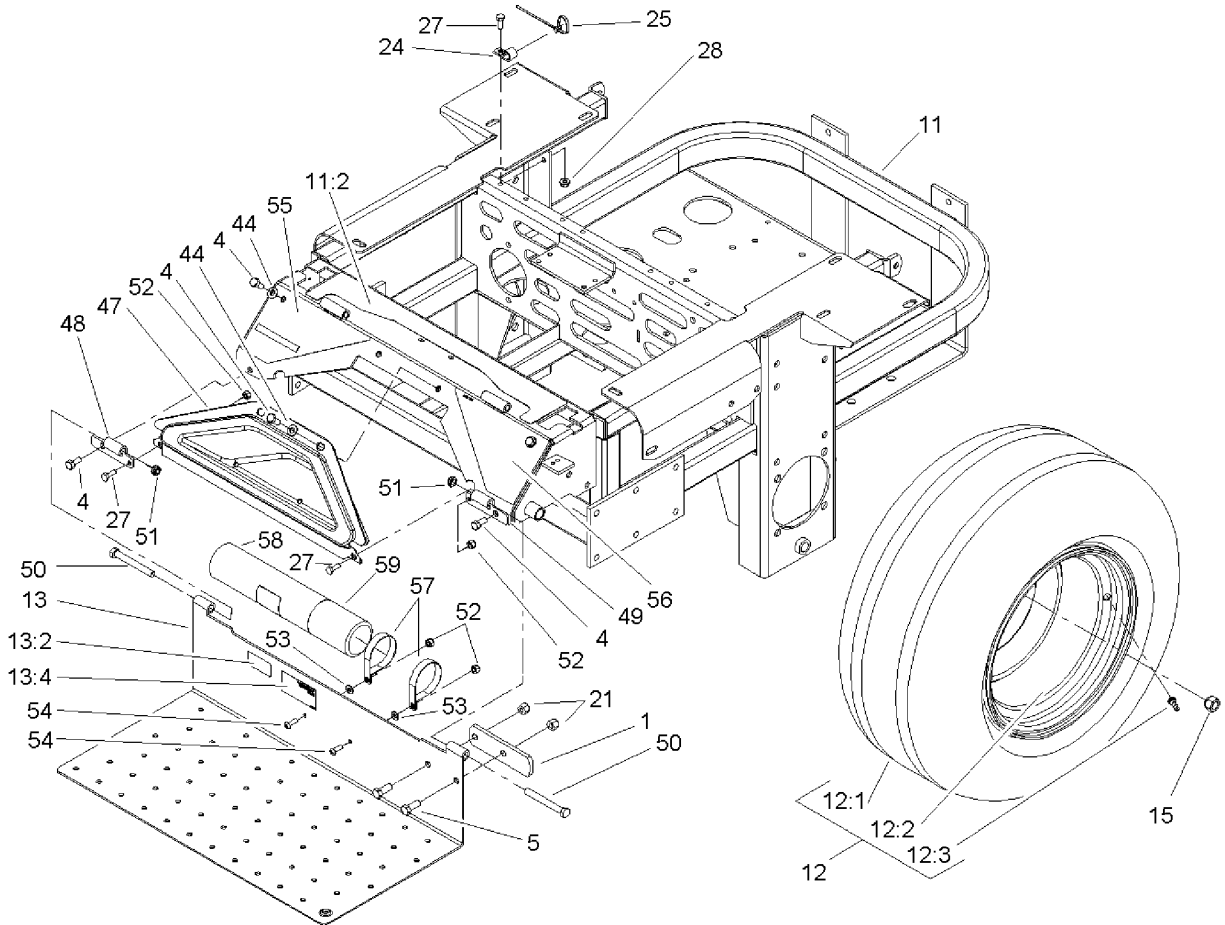
Ref	Part No.	Qty.	Description
22	323-9	2	Screw-HH
23	98-5975	12	Washer-Belleville
24	3290-357	15	Nut-HHF
25	323-6	1	Screw-HH
26	323-7	12	Screw-HH
27	3256-29	4	Washer-Flat
35		2	Front Frame Spring ASM
35:1	1-633096	1	Rod-Lift, Deck
35:2	1-633441	2	Swivel-Deck Mount, Rear
35:3	3217-11	4	Nut-Hex
35:4	3218-6	2	Nut-Jam
35:5	3256-7	2	Washer-Flat
35:6	1-633064	1	Spring-Support, Deck
36	107-1861	1	Decal-Height, Deck
37	107-1860	1	Decal-Height, Deck
38	3274-94	4	Screw-HSBH
40	106-8983-01	1	RH Deck Lift ASM
41	106-8984-01	1	LH Deck Lift ASM
42	1-523157	2	Washer-Spacer
43	32151-29	2	Ring-Retaining
44	3274-18	2	Screw-HSH
45	3218-2	2	Nut-Jam
46	1-513658	2	Bumper



Caster and Wheel Assembly

Ref	Part No.	Qty.	Description
1	1-543513	2	Cap-Grease
2	3296-51	2	Nut-Lock, NI
3	1-633508	6	Washer-Bellville
4	254-94	4	Bearing-Cone, Tapered
5	254-72	4	Bearing-Cup, Tapered
7	1-543511	2	Seal-Grease
8	1-642111-01	2	Caster
11	1-644251	2	Caster Wheel ASM
11:1	1-633580	2	Seal-Bearing
11:2	1-633581	2	Spacer-Bearing
11:3	1-633585	2	Bearing-Cone, Taper
11:4	1-633959	1	Spacer-Caster, Front
11:5		1	Wheel And Tire ASM
11:5:1	1-523009	1	Tire
11:5:2	1-633987	1	Wheel
11:5:3	1-633584	2	Bearing-Cup
21	325-24	2	Screw-HH
22	3296-45	2	Nut-Lock, NI

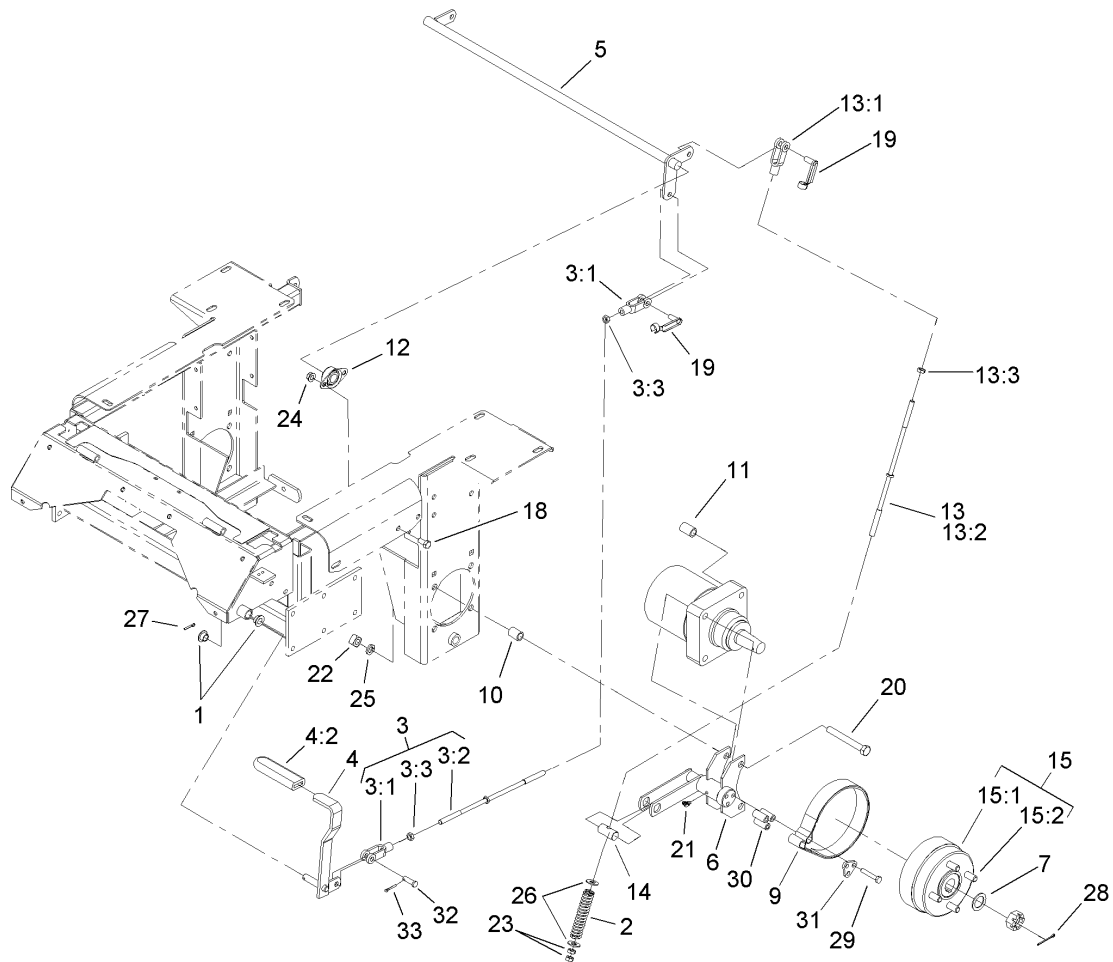
--	--	--	--



Main Frame Assembly

Ref	Part No.	Qty.	Description
1	1-633964-03	1	Stop-Brake, Park
4	322-43	6	Screw-HH
5	323-6	2	Screw-HH
11	106-6599	1	Main Frame ASM
11:2	103-2433	1	Decal-Console, Top
12	1-653010	2	Wheel And Tire ASM
12:1	1-653160	1	Tire
12:2	1-653158	1	Wheel
12:3	232-27	1	Stem-Valve
13	107-1858	1	Floorpan
13:2	98-4387	1	Decal-Protection, Ear
13:4	107-1864	1	Decal-Location, Manual
15	242-50	8	Nut-Lug
21	3296-39	2	Nut-Lock, NI
24	1-513762	1	Clip-Loom
25	1-303335	1	Tie-Plastic
27	321-4	3	Screw-HH
28	32128-33	1	Nut-HF
44	3256-70	6	Washer-Flat
47	106-7498	1	Pocket
48	106-7488-03	1	Hinge-Floorpan, LH
49	106-7489-03	1	Hinge-Floorpan, RH
50	323-20	2	Screw-HH
51	3296-59	2	Nut-Lock, NI

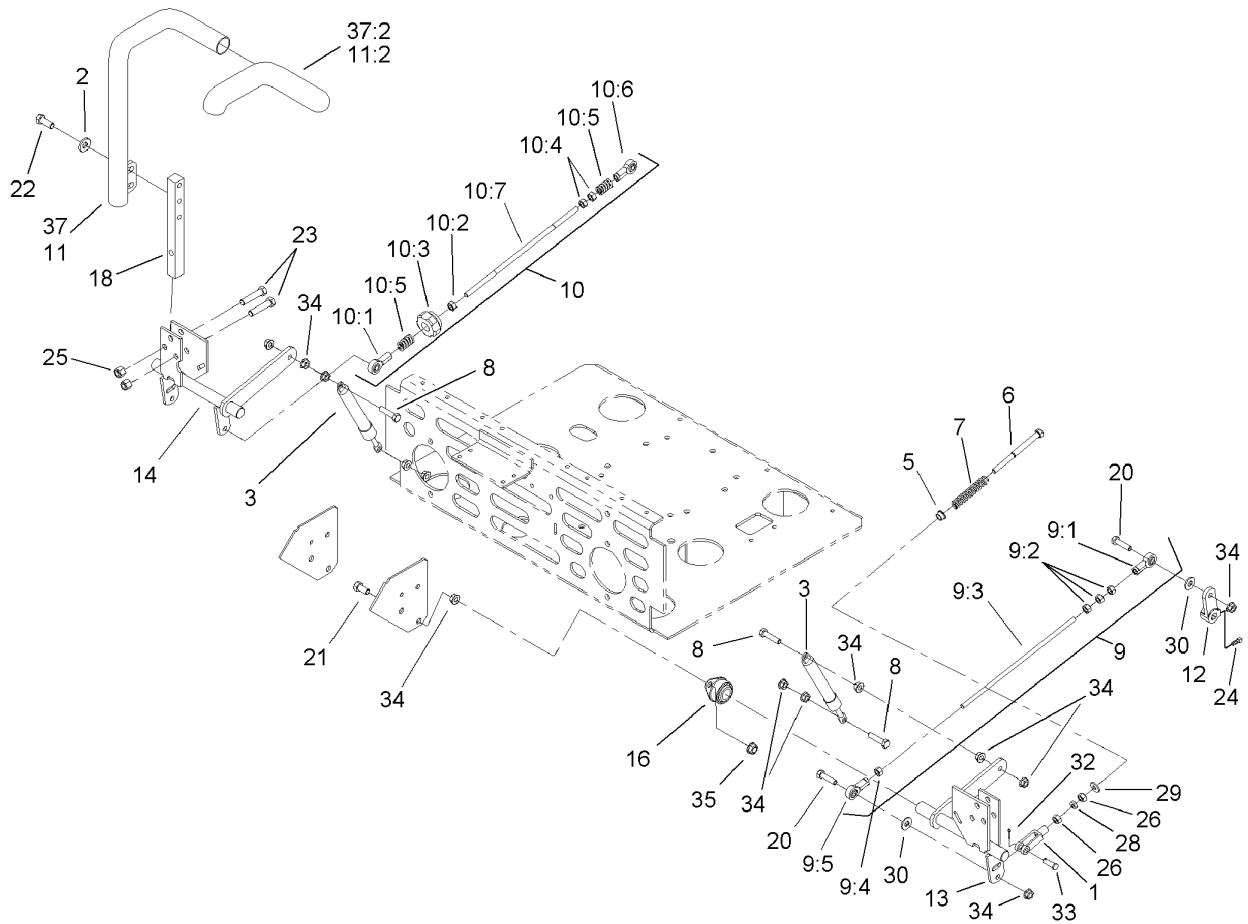
Ref	Part No.	Qty.	Description
52	3296-42	4	Nut-Lock, NI
53	3256-63	2	Washer-Flat
54	3258-166	2	Screw
55	106-9989	1	Decal-Warning
56	106-7492	1	Decal-Danger
57	107-1865	2	R-Clamp
58	104-7050	1	Housing-Manual
59	104-7048	1	Cap-Housing



Brake and Wheel Hub Assembly

Ref	Part No.	Qty.	Description
1	1-513140	2	Bearing-Control
2	1-633454	2	Spring-Brake
3	103-4332	1	Brake Rod And Yoke ASM
3:1	1-633131	2	Yoke-Linkage, Brake
3:2	1-633477	1	Rod-Brake
3:3	3219-3	2	Nut-HH
4	1-634500	1	Brake Lever ASM
4:2	1-633268	1	Grip-Lever, Brake
5	1-632217-03	1	Shaft-Brake
6	103-0352-03	2	Bracket-Brake
7	1-523157	2	Washer-Spacer
9	103-0355	2	Band-Brake
10	1-633380	4	Spacer-Wheel, Short
11	1-633382	4	Spacer-Wheel, Long
12	1-633102	2	Bearing-Flange, Side
13	103-4333	2	Brake Rod And Yoke ASM
13:1	1-633131	1	Yoke-Linkage, Brake
13:2	1-633477	1	Rod-Brake
13:3	3219-3	1	Nut-HH
14	1-633144	2	Pin-Trunion
15	103-0590	2	Hub And Wheel ASM
15:1	103-0589	1	Wheel Hub ASM
15:2	1-633926	4	Stud-Wheel
18	323-4	4	Screw-HH

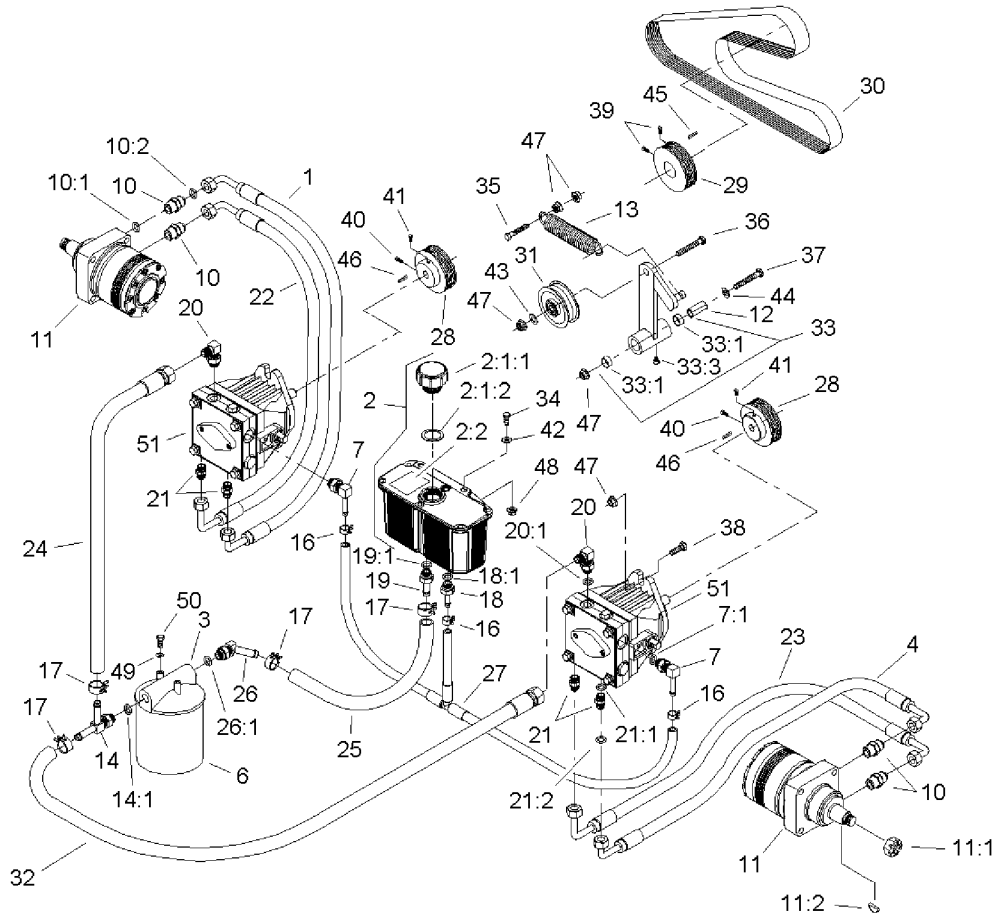
Ref	Part No.	Qty.	Description
19	103-2399	3	Pin-Spring, Clevis
20	325-17	8	Screw-HH
21	1481	2	Fitting-Grease
22	103-0131	8	Nut-Square
23	3219-3	4	Nut-HH
24	3290-357	4	Nut-HHF
25	3253-7	8	Washer-Lock
26	3256-4	4	Washer-Flat
27	3272-10	1	Pin-Cotter
28	1-806800	2	Pin-Cotter
29	322-9	6	Screw-HH
30	103-0384	6	Spacer
31	103-0374	2	Retainer-Band, Brake
32	1-808285	1	Pin-Clevis
33	3272-10	1	Pin-Cotter



Steering Control Assembly

Ref	Part No.	Qty.	Description
1	1-303105	2	Yoke-Adjustable
2	98-5975	4	Washer-Belleville
3	103-4079	2	Damper-Control, Motion
5	1-603735	2	Bushing-Flanged
6	1-603737	2	Bolt-Return, Neutral
7	1-603807	2	Spring-Return, Neutral
8	1-403180	4	Screw-HH
9	103-4331	1	Tracking Rod ASM
9:1	1-543017	1	Balljoint-RH
9:2	3219-2	3	Nut-Hex
9:3	103-3064	1	Link-Rod, Tracking
9:4	1-804524	1	Nut
9:5	1-633152	1	Balljoint-Thread, LH
10	103-4330	1	Tracking Rod ASM
10:1	1-543017	1	Balljoint-RH
10:2	3219-2	1	Nut-Hex
10:3	103-3060	1	Knob-Tracking
10:4	1-804524	2	Nut
10:5	1-323245	2	Spring-Compression
10:6	1-633152	1	Balljoint-Thread, LH
10:7	103-3064	1	Link-Rod, Tracking
11	106-9982	1	LH Lever ASM
11:2	106-9987	1	Grip-Control, Motion
12	1-632208	2	Arm-Control, Pump

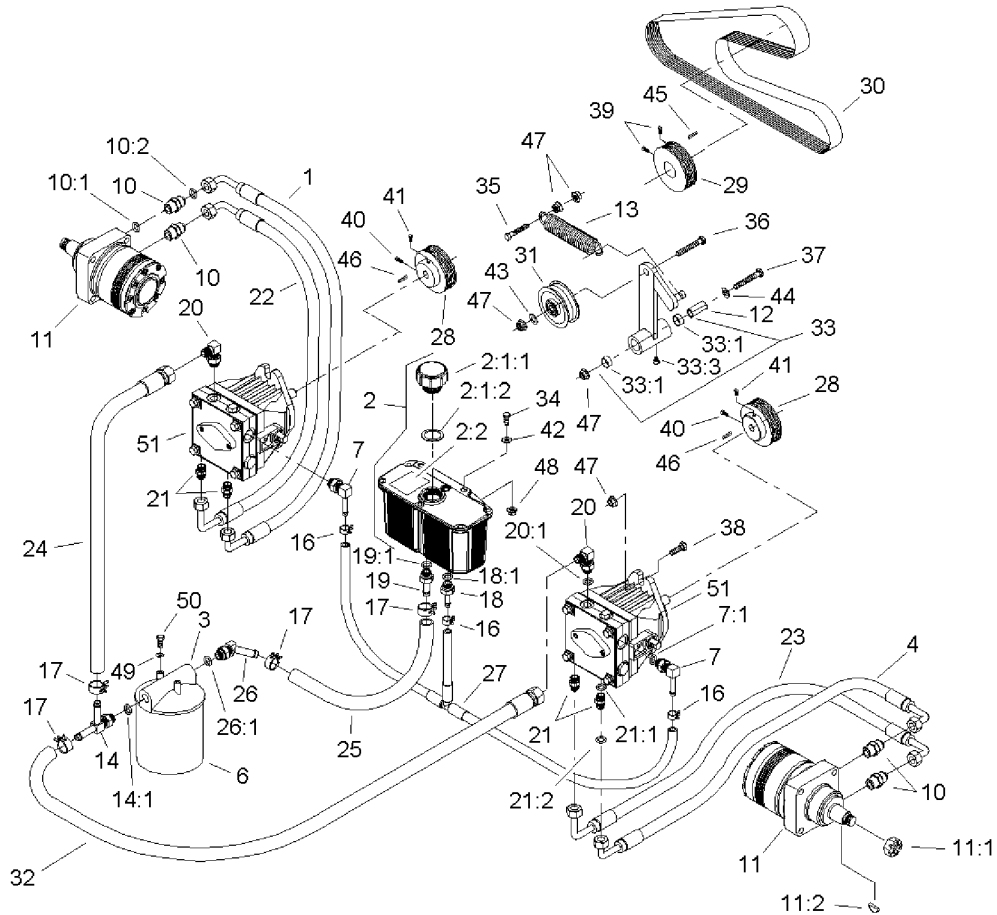
Ref	Part No.	Qty.	Description
13	103-4781	1	Control-Motion, LH
14	103-4782	1	Control-Motion, RH
16	1-633102	4	Bearing-Flange, Side
18	103-0407	2	Arm-Shaft, Control
20	322-6	4	Screw-HH
21	323-4	8	Screw-HH
22	323-6	4	Screw-HH
23	323-9	6	Screw-HH
24	1-803022	2	Screw-Set
25	3296-39	6	Nut-Lock, NI
26	3219-2	4	Nut-Hex
28	3220-2	2	Nut
29	3256-2	2	Washer-Flat
30	3256-3	4	Washer-Flat
32	3272-5	2	Pin-Cotter
33	1-808280	2	Pin-Clevis
34	32128-20	16	Nut-HF
35	3290-357	8	Nut-HHF
37	106-9983	1	RH Lever ASM
37:2	106-9987	1	Grip-Control, Motion



Hydraulic System Assembly

Ref	Part No.	Qty.	Description
1	103-3736	1	HYD Hose ASM
2	103-1947	1	HYD Reservoir ASM
① 2:1		1	Reservoir-HYD
2:1:1	103-1948	1	Cap-Reservoir, HYD
2:1:2	103-1949	1	Gasket-Cap
2:2	1-523552	1	Decal-Tank, HYD
3	104-7836	1	Head-Filter
4	103-3733	1	HYD Hose ASM
6	1-633752	1	Filter-Hyd, Winter
6	1-633750	1	Filter-HYD
7	103-1799	2	Elbow-90 DEG
7:1	237-42	1	O-Ring
10	1-603991	4	Fitting-Straight
10:1	237-80	1	O-Ring
10:2	1-603992	1	O-Ring
11	1-523328	2	Motor-Wheel
11:1	1-809036	1	Nut-HH
11:2	3257-42	1	Key-Woodruff
① 11:99	103-2748	1	Drive Link Kit
① 11:99	1-000099	1	Seal Kit
① 11:99	1-000139	1	Bearing Kit
12	1-603384	1	Bushing-Pivot, Idler
13	103-3330	1	Spring-Extension
14	103-1828	1	Adapter-Run, Tee

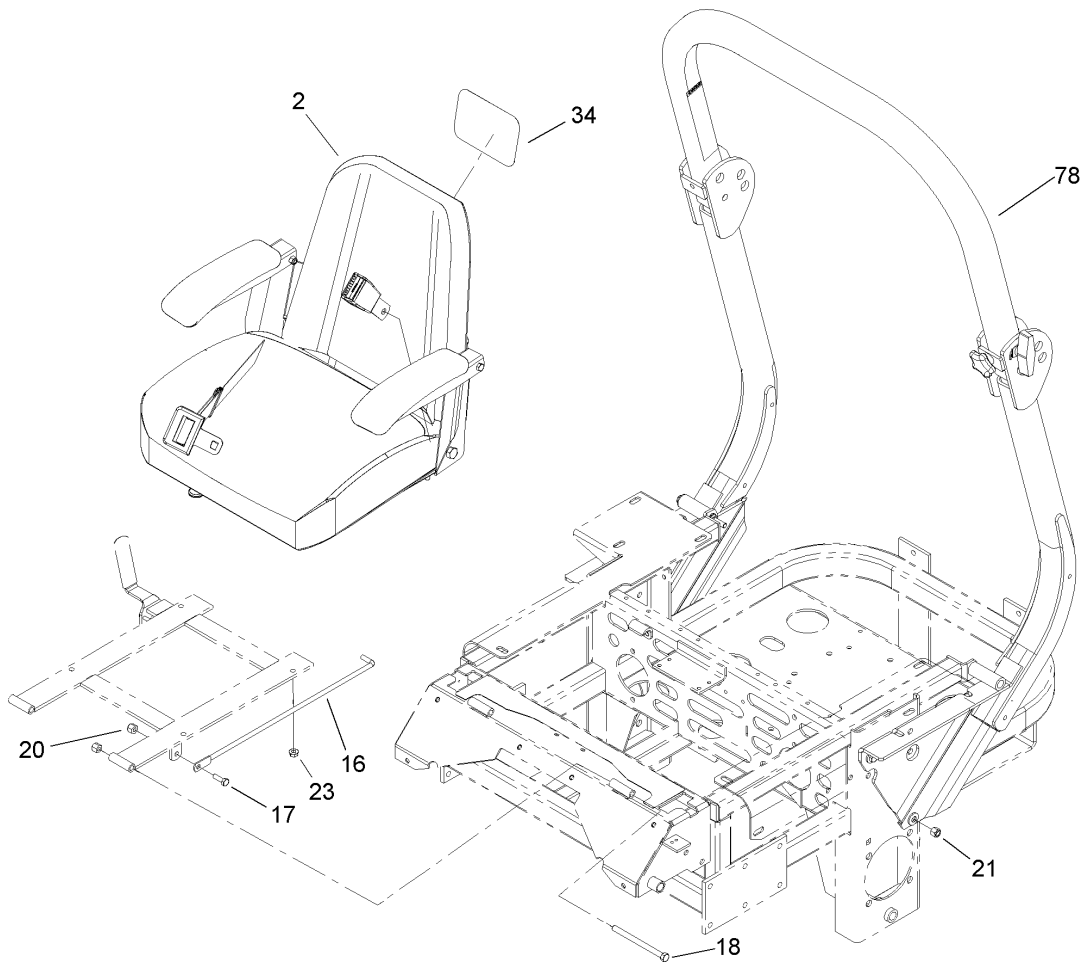
Ref	Part No.	Qty.	Description
14:1	237-42	1	O-Ring
16	103-1716	3	Clamp-Hose
17	103-1988	4	Clamp-Hose
18	103-1801	1	Adapter-Straight
18:1	237-42	1	O-Ring
19	103-1912	1	Adapter-Straight
19:1	237-42	1	O-Ring
20	103-1802	2	Fitting-Hyd, 90 DEG
20:1	237-42	1	O-Ring
21	1-603990	4	Fitting-Straight
21:1	237-79	1	O-Ring
21:2	1-603992	1	O-Ring
22	103-3737	1	HYD Hose ASM
23	103-3735	1	HYD Hose ASM
24	103-1826	1	HYD Hose ASM
25	103-1808	1	Hose-HYD
26	103-1807	1	Elbow-45 DEG
26:1	237-42	1	O-Ring
27	103-1806	1	HYD Hose ASM
28	1-633568	2	Sheave
29	1-633567	1	Sheave
30	1-633749	1	Belt-Drive, Pump
31	1-633167	1	Sheave-Idler
32	103-1827	1	HYD Hose ASM



Hydraulic System Assembly (continued)

Ref	Part No.	Qty.	Description
33	1-634277	1	Bearing Arm ASM
33:1	1-513034	2	Sleeve-Bearing
33:3	302-40	1	Fitting-Grease
34	321-6	2	Screw-HH
35	323-8	1	Screw-HH
36	323-9	1	Screw-HH
37	1-800805	1	Screw-HH
38	323-7	4	Screw-HH
39	1-803022	2	Screw-Set
40	30-1710	2	Screw
41	1-803050	2	Screw-Set
42	3256-22	2	Washer-Flat
43	3256-3	1	Washer-Flat
44	3256-4	1	Washer-Flat
45	13-2840	1	Key-Square
46	1-807272	2	Key
47	3290-357	8	Nut-HHF
48	32128-33	2	Nut-HF
49	1-805004	2	Washer-Lock
50	321-3	2	Screw-HH
51	103-2675	2	Pump-HYD
●51:1	103-2664	1	Input Shaft Kit
●51:2	94-6922	1	Bearing-Thrust
●51:3	103-2666	1	Cylinder Block Kit

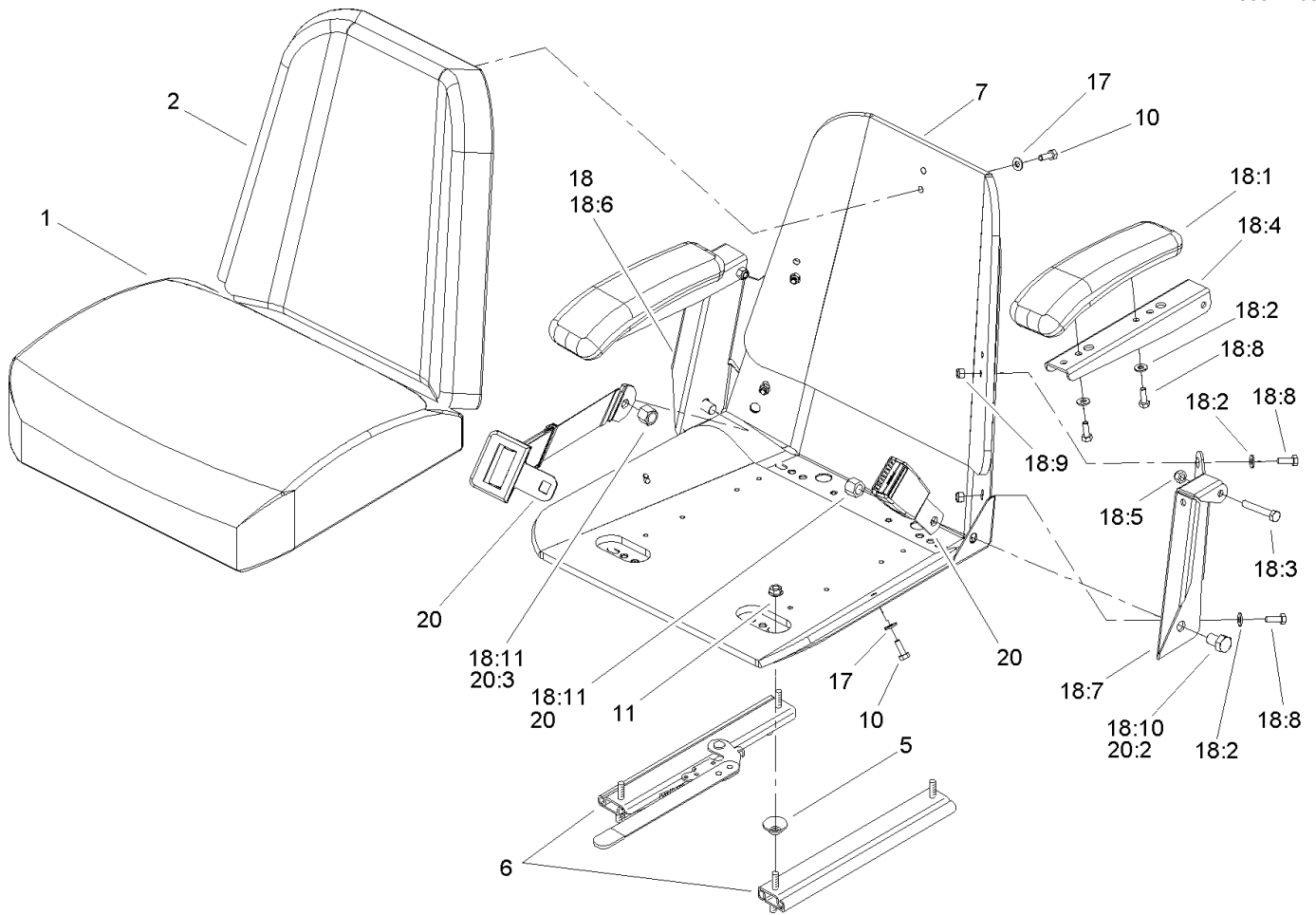
Ref	Part No.	Qty.	Description
●51:4	105-6185	1	Plate-Valve
●51:5	105-6184	1	Seal Overhaul Kit
●51:7	106-2053	1	Shock Valve Kit



Seat and Roll-Over-Protection-System Assembly

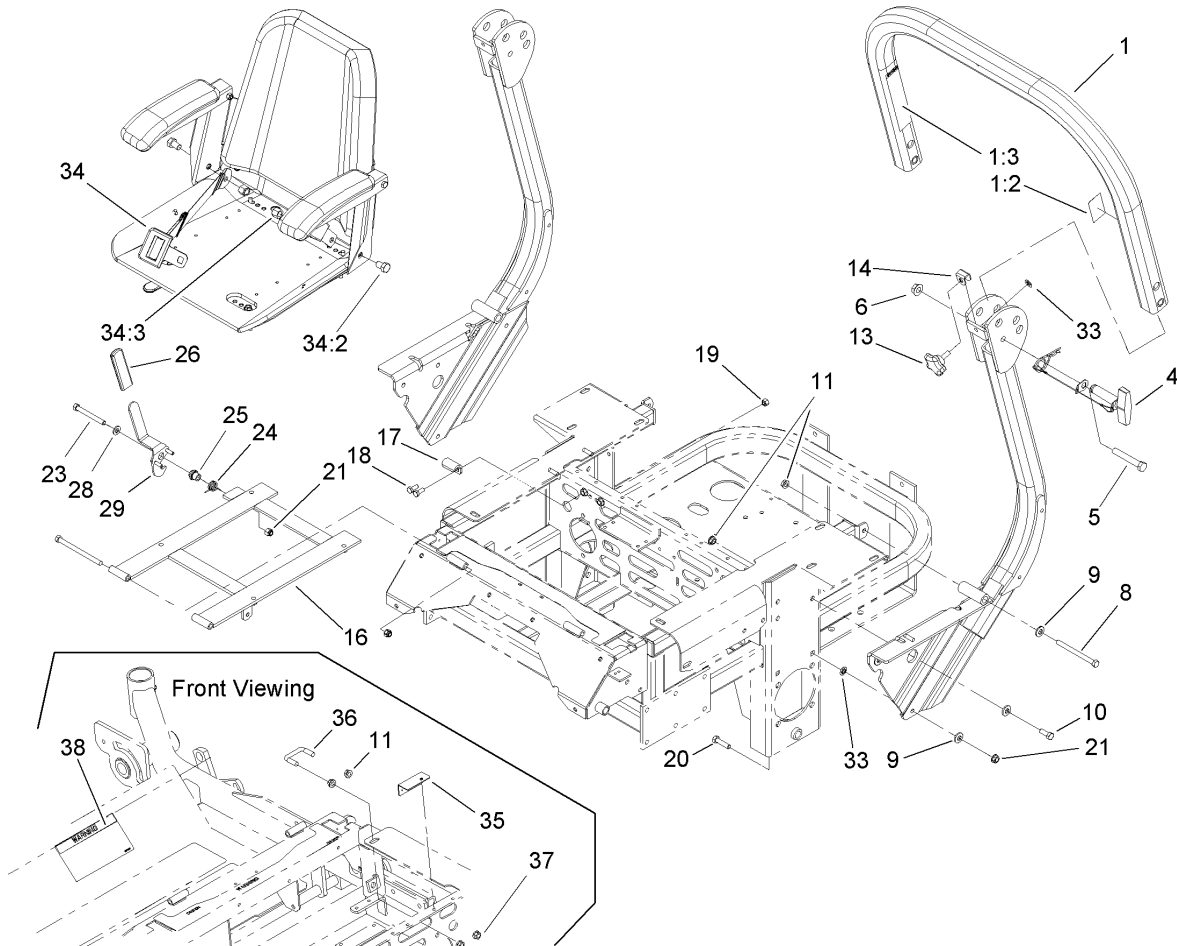
Ref	Part No.	Qty.	Description
2	107-1867	1	Seat ASM
16	1-633293	1	Rod-Holdup, Seat
17	322-5	1	Screw-HH
18	323-39	2	Screw-HH
20	3296-29	3	Nut-Lock, NI
21	3296-39	5	Nut-Lock, NI
23	32128-20	4	Nut-HF
34	99-4693	1	Decal
78	107-0038	1	Rops ASM

--	--	--	--



Seat Assembly No. 107-1867

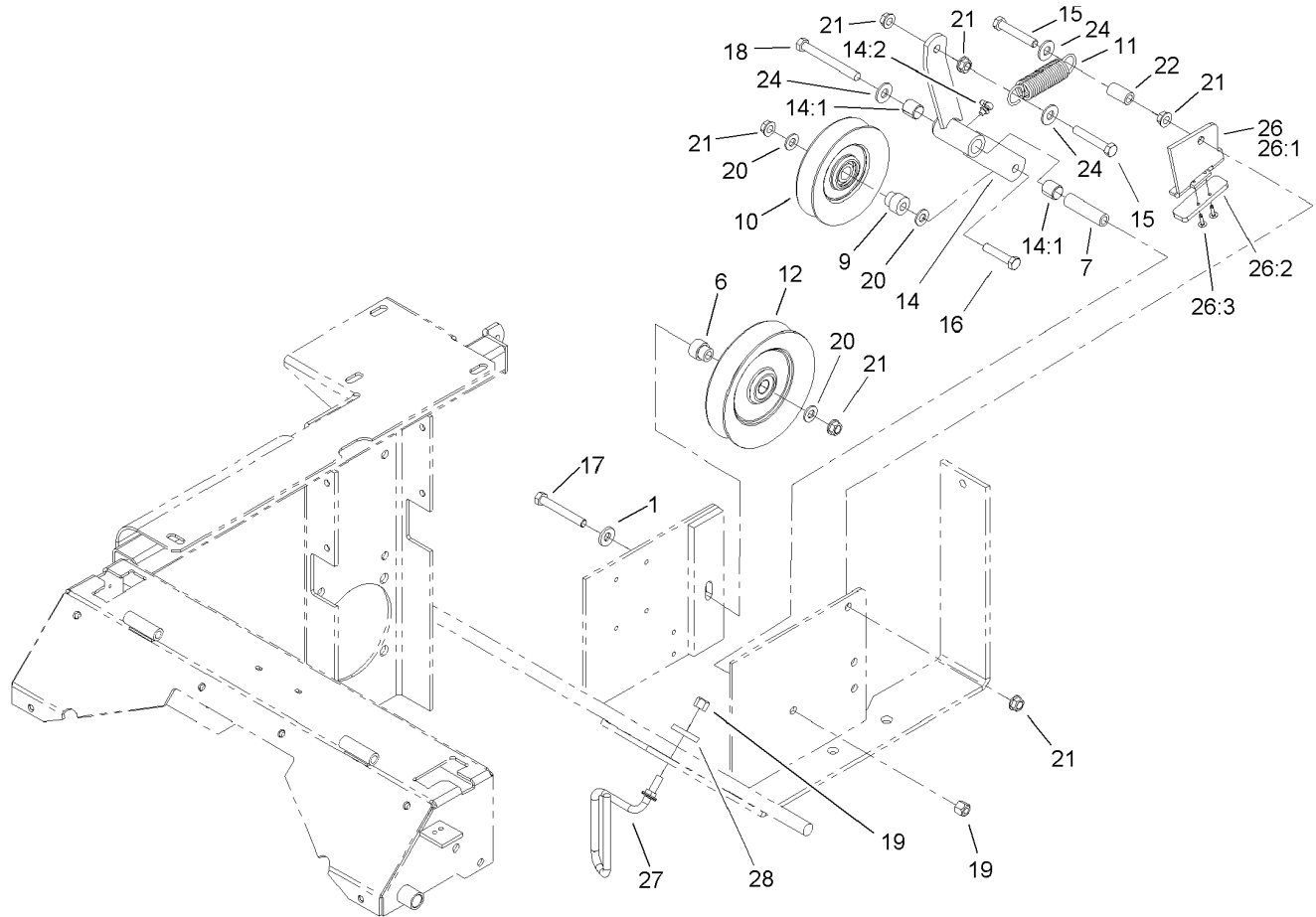
Ref	Part No.	Qty.	Description
1	103-3521	1	Cushion-Seat, Bottom
2	104-7754	1	Cushion-Seat, Back
5	1-543401	4	Spacer-Track
6	1-643255	1	Track-Seat
7	1-633859	1	Frame-Seat
10	321-30	11	Screw-HH
11	32128-20	4	Nut-HF
17	3256-22	11	Washer-Flat
18	105-3620	1	Armrest Kit
18:1	1-633711	2	Cushion-Armrest
18:2	3256-22	4	Washer-Flat
18:3	322-10	2	Screw-HH
18:4	105-3623	2	Channel-Armrest
18:5	32153-3	2	Nut-Lock
18:6	105-3621	1	Bracket-Armrest, RH
18:7	105-3622	1	Bracket-Armrest, LH
18:8	321-30	6	Screw-HH
18:9	3296-42	4	Nut-Lock, NI
18:10	325-2	2	Screw-HH
18:11	3296-23	2	Nut-Lock, NI
20	103-4469	1	Seatbelt Kit
20:2	3212-4	2	Screw-HH
20:3	3296-38	2	Nut-Lock NI



Roll-Over Protection System (ROPS) Assembly No. 107-0038

Ref	Part No.	Qty.	Description
1		1	Upper Tube ASM
1:2	107-2101	1	Decal-Rops
1:3	107-2102	1	Decal-Warning, Folding Rops
4	107-3060	2	Pin Latch ASM
5	325-13	2	Screw-HH
6	32128-23	2	Nut-HF
8	323-23	2	Screw-HH
9	98-5975	8	Washer-Belleville
10	323-6	4	Screw-HH
11	3290-357	8	Nut-HHF
13	106-0887	2	Knob
14	107-3124	2	Clip
16	107-3052-03	1	Frame-Support, Seat
17	107-3058	1	Catch-Latch, Seat
18	322-3	2	Screw-HH
19	3296-29	2	Nut-Lock, NI
20	323-8	2	Screw-HH
21	3296-39	3	Nut-Lock, NI
23	323-20	1	Screw-HH
24	107-0076	1	Spring-Torsion
25	107-0075	1	Bushing-Latch, Seat
26	62-9130	1	Grip-Handle
28	3256-24	1	Washer-Flat
29	107-3083	1	Latch ASM

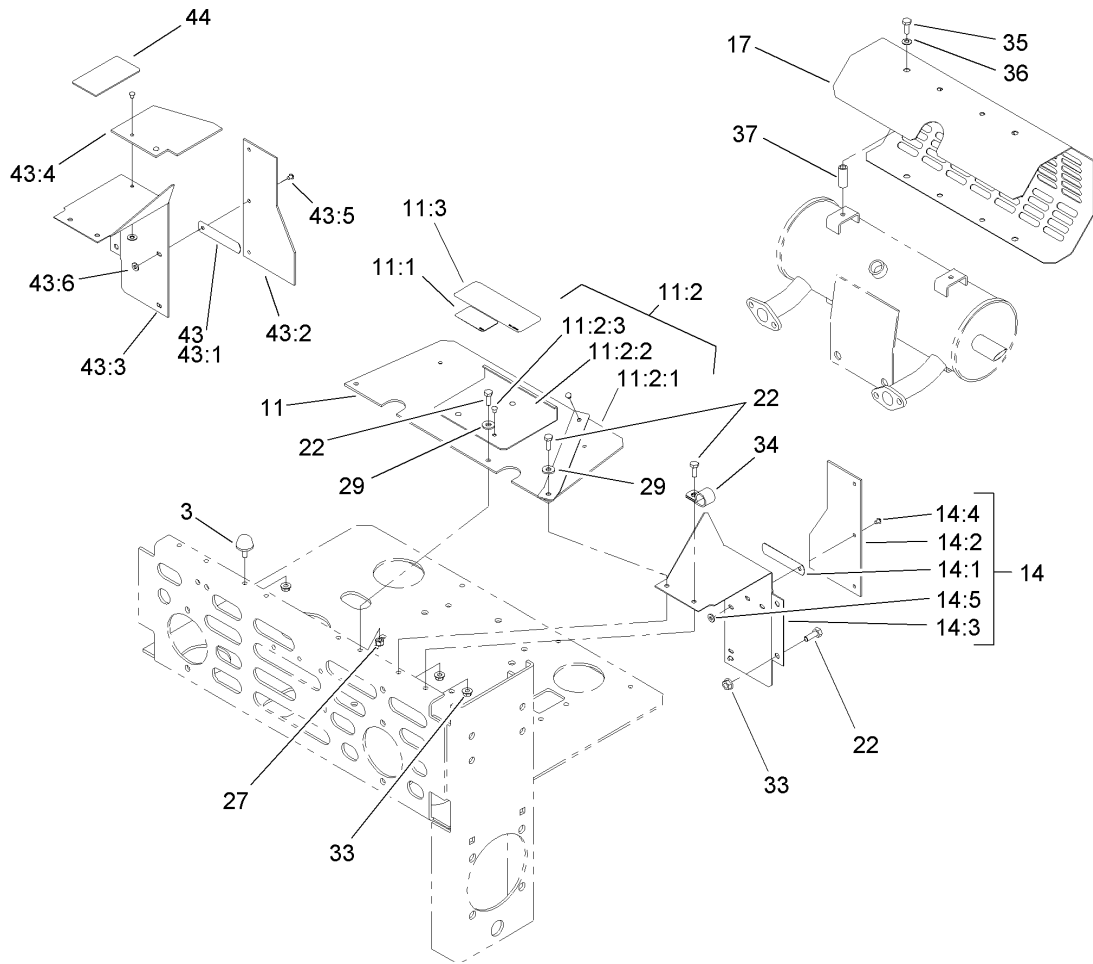
Ref	Part No.	Qty.	Description
33	107-3154	4	Nut-Push
34	103-4469	1	Seatbelt Kit
34:2	3212-4	2	Screw-HH
34:3	3296-38	2	Nut-Lock NI
35	107-3074	1	Template-Drill, Seat Catch
36	107-3073	1	U-Bolt
37	32128-21	2	Nut-HF
38	107-2112	1	Decal-Warning



Drive Idler Assembly

Ref	Part No.	Qty.	Description
1	98-5975	1	Washer-Belleville
6	103-2627	1	Bushing-Idler
7	1-603384	1	Bushing-Pivot, Idler
9	1-603496	1	Bushing-Idler
10	99-4638	1	Idler
11	1-603402	1	Spring-Extension
12	1-633166	1	Pulley-Idler
14	103-3147	1	Arm ASM
14:1	1-513034	2	Sleeve-Bearing
14:2	302-40	1	Fitting-Grease
15	323-12	2	Screw-HH
16	323-9	1	Screw-HH
17	323-13	1	Screw-HH
18	1-800805	1	Screw-HH
19	3296-39	2	Nut-Lock, NI
20	3256-24	3	Washer-Flat
21	3290-357	6	Nut-HHF
22	1-603401	1	Spacer-Fender
24	3256-4	3	Washer-Flat
26	106-3271	1	Travel Limiter ASM
26:1	106-3228-03	1	Plate-Limiter, Pulley
26:2	106-3229	1	Pad-Bumber
26:3	3269-24	2	Rivet
27	105-7772	1	Guide-Belt

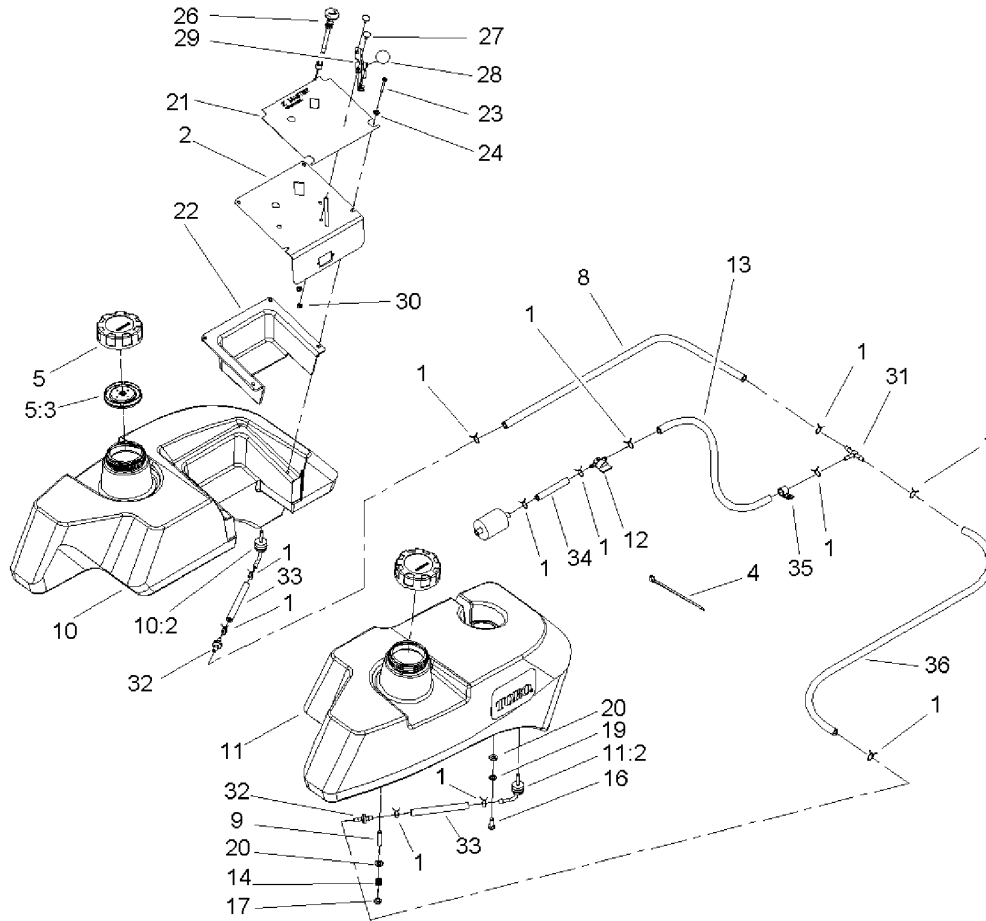
Ref	Part No.	Qty.	Description
28	112843	1	Washer



Shield and Guard Assembly

Ref	Part No.	Qty.	Description
3	1-523420	2	Bumper
11	1-644276	1	Shield ASM
11:1	1-633462	1	Decal-Important
11:2	1-634308	1	Shield/lift ASM
11:2:1	103-1308	1	Shield-Engine
11:2:2	1-633300-03	1	Lift-Shield
11:2:3	1-803035	3	Rivet-Pop
11:3	103-5881	1	Decal-Devices, Rotating
14	1-634796	1	LH Shield ASM
14:1	1-523285	1	Clip-Baffle, Rear
14:2	1-633301	1	Shield-Engine
14:3	1-633795-03	1	Baffle-Engine Shield, LH
14:4	1-803035	3	Rivet-Pop
14:5	3256-63	3	Washer-Flat
17	1-643313-03	1	Guard-Muffler
22	321-4	10	Screw-HH
27	3296-42	6	Nut-Lock, NI
29	3256-2	4	Washer-Flat
33	32128-33	5	Nut-HF
34	1-633396	1	Clip-Loom
35	1-809076	2	Screw
36	1-323235	2	Washer-Spring
37	1-323236	2	Spacer
43	1-644316	1	RH Shield ASM

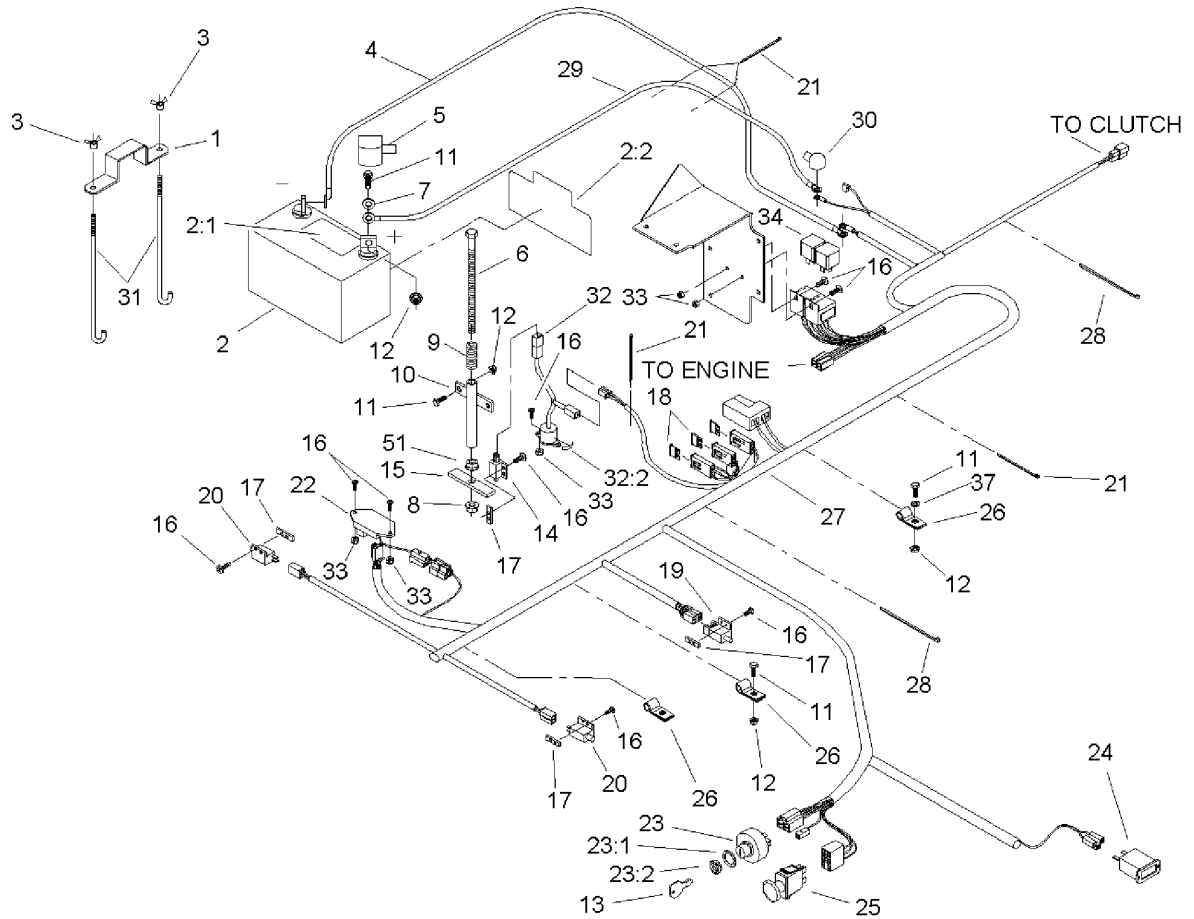
Ref	Part No.	Qty.	Description
43:1	1-523285	1	Clip-Baffle, Rear
43:2	1-633301	1	Shield-Engine
43:3	1-633794-03	1	Shield-RH
43:4	1-643315	1	Baffle-Cooler, Engine
43:5	1-803035	5	Rivet-Pop
43:6	3256-63	5	Washer-Flat
44	1-643339	1	Decal-Routing, Belt



Fuel System Assembly

Ref	Part No.	Qty.	Description
1	1-303077	13	Clamp
2	106-9966-03	1	Panel-Control
4	1-303335	4	Tie-Plastic
5	88-3980	2	Gas Cap ASM
5:3	88-4010	1	Gasket-Cap, Gas
8	94-7420	1	Hose-Fuel
9	1-633023	6	Stud
10	106-9980	1	LH Fuel Tank ASM
10:2	103-2605	1	Fitting-Fuel, Bulkhead
11	106-9979	1	RH Fuel Tank ASM
11:2	103-2605	1	Fitting-Fuel, Bulkhead
12	1-603770	1	Valve-Fuel
13	107-2119	1	Hose-Fuel
14	1-633349	6	Spring-Tank, Fuel
16	322-3	2	Screw-HH
17	3296-47	6	Nut-Lock, NI
19	1-805005	2	Washer-Lock
20	3256-23	8	Washer-Flat
21	106-9969	1	Decal-Panel, Control
22	99-4940	1	Shield-Panel, Control
23	1-803071	4	Screw
24	1-303435	4	Washer-Spring
26	106-9962	1	Control-Choke, Push/pull
27	1-807513	2	Bolt-CARR

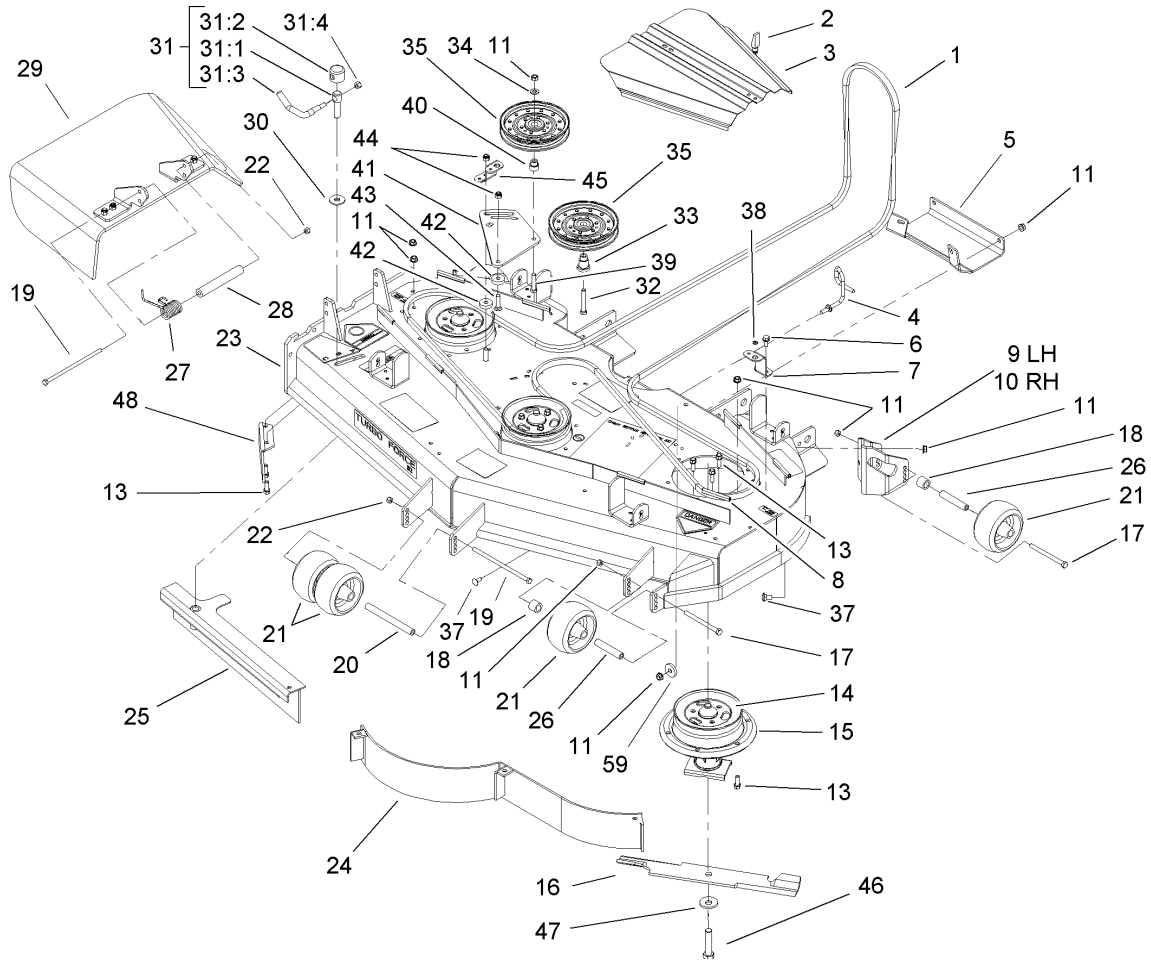
Ref	Part No.	Qty.	Description
28	1-513592	1	Knob-Ball
29	1-633696	1	Cable-Throttle
30	3296-2	2	Nut-Lock
31	99-5005	1	Fitting-Tee, Barbed
32	99-5000	2	Valve-Check, Fuel
33	99-7190	2	Hose-Fuel
34	105-8342	1	Hose-Fuel
35	1-513762	1	Clip-Loom
36	1-543526	1	Hose-Fuel



Electrical System Assembly

Ref	Part No.	Qty.	Description
1	1-633652-03	1	Strap-Holddown
2	105-1692	1	Battery
2:1	104-4163	1	Decal-Battery
2:2	104-4164	1	Decal-Battery
3	1-543792	2	Wingnut
4	1-633307	1	Wire-Ground
5	1-543391	1	Insulator-Battery
6	1-800282	1	Screw-HH
7	3256-2	2	Washer-Flat
8	3296-29	1	Nut-Lock, NI
9	1-523415	1	Spring-Switch, Seat
10	1-522424-03	1	Mount-Spring, Seat
11	321-4	6	Screw-HH
12	32128-33	6	Nut-HF
13	63-8360	2	Key-Ignition
14	1-513152	1	Switch-Closed, Normally
15	1-513180	1	Plate-Switch, Seat
16	3290-500	14	Screw-PPH
17	1-633181	4	Plate-Tapped
18	1-816001	2	Fuse-Blade Type, 20 Amp
19	1-633111	1	Switch
20	1-513051	2	Switch-Open, Normally
21	1-303287	5	Tie-Plastic
22	100-6186	1	Module-Delay, Seat

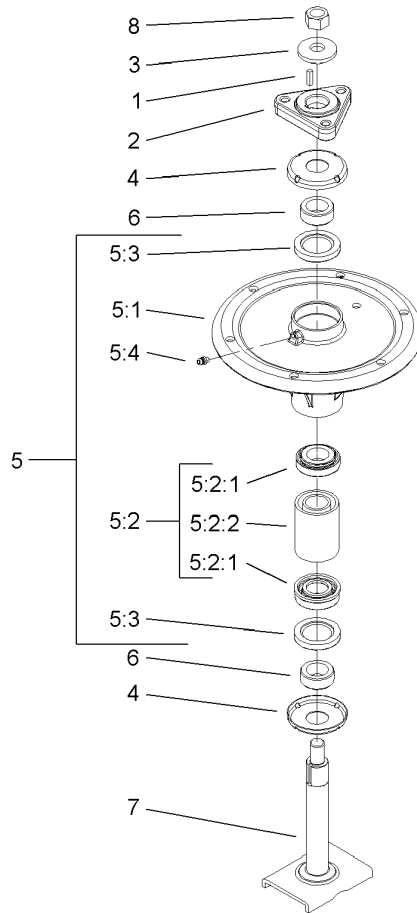
Ref	Part No.	Qty.	Description
23	88-9830	1	Key Switch ASM
23:1	3254-5	1	Washer-Tooth
23:2	218-461	1	Nut-HH
24	1-513374	1	Meter-Hour
25	1-633673	1	Switch-Delta
26	1-633396	3	Clip-Loom
27	106-7497	1	Harness-Wire
28	1-303335	2	Tie-Plastic
29	1-523281	1	Wire-Starter
30	1-543393	1	Insulator-Solenoid
31	1-633651	2	Bolt-Holddown
32	1-644427	1	Tilt Switch ASM
32:2	1-643401	1	Decal-Switch, Mercury
33	3296-2	6	Nut-Lock
34	1-643275	2	Relay
37	3256-22	1	Washer-Flat
51	3217-6	1	Nut-Hex



Deck Assembly

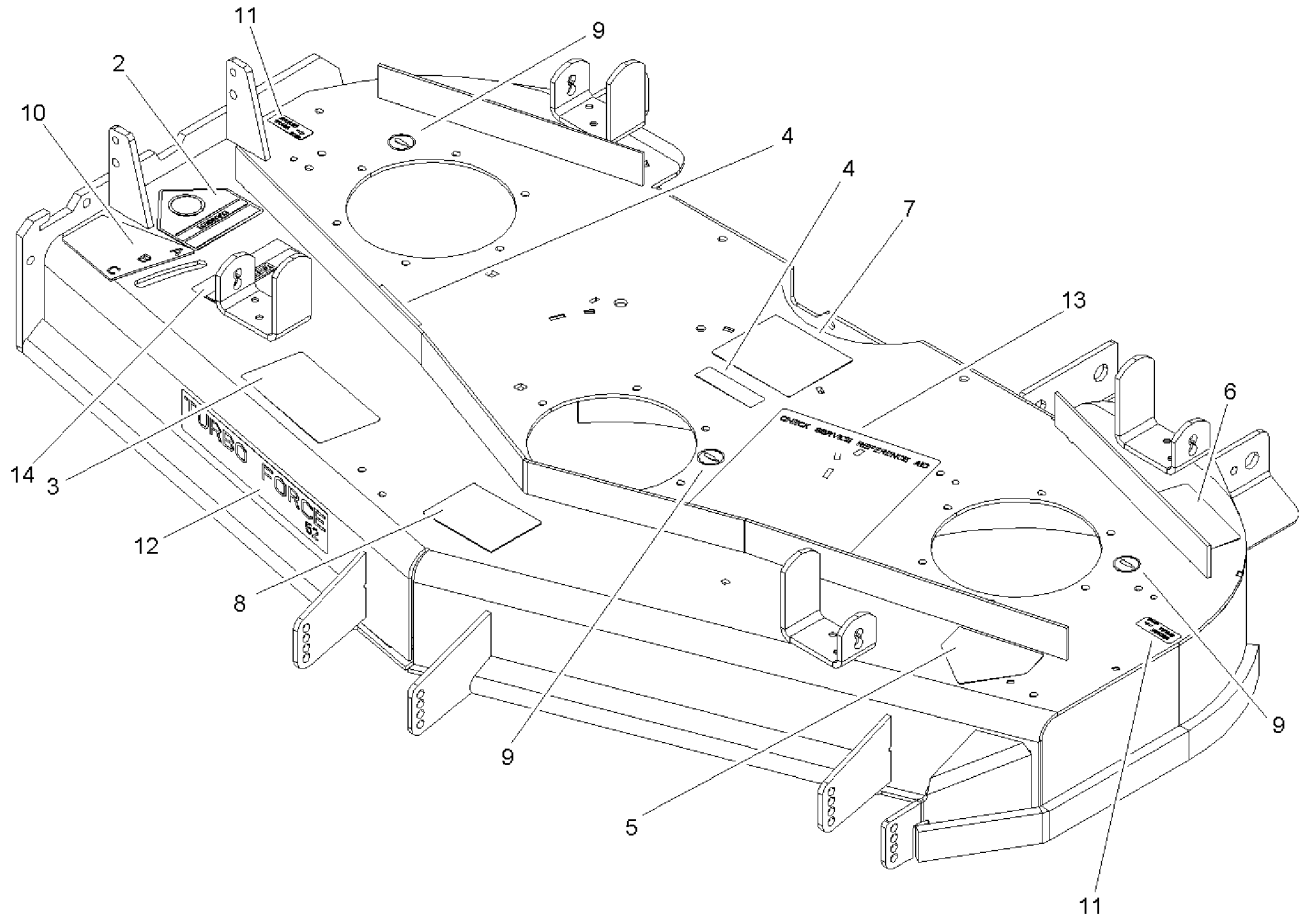
Ref	Part No.	Qty.	Description
1	105-7790	1	Belt
2	74-5950	4	Latch-Swell
3	105-8786-01	2	Cover-Belt
4	106-3220	1	Guide-Wire
5	106-7358-01	1	Plate-Skid
6	32144-70	4	Screw-HH
7	105-8787-01	3	Bracket-Cover
8	105-7699	8	Seal-Strip
9	106-7354-01	1	Plate-Roller, LH
10	106-7355-01	1	Plate-Roller, RH
11	3290-357	24	Nut-HHF
13	92-1624	33	Screw-Mount, Engine
14	105-7735	3	Pulley
15	106-3217	3	Spindle ASM
16	105-7781-03	3	Blade-High Flow
17	323-23	3	Screw-HH
18	98-7913	3	Tube-Spacer
19	322-50	2	Screw-HH
20	98-5967	1	Spacer
21	1-603299	5	Roller-Anti Scalp
22	3296-29	2	Nut-Lock, NI
23	107-1623	1	52in Deck ASM
24	105-7754-01	1	Baffle ASM-Welded (Red)
25	105-7755-01	1	Baffle ASM

Ref	Part No.	Qty.	Description
26	98-7912	3	Tube-Spacer
27	104-8554	1	Spring-Torsion
28	105-4622	1	Spacer
29	106-3249	1	Rubber Deflector ASM
30	105-7697	1	Washer-Plastic
31	106-3242	1	Lever ASM
31:1	106-3239	1	Screw-Lock
31:2	106-3240	1	Cap-Lock
31:3	106-3241	1	Lever-Lock
31:4	3296-29	1	Nut-Lock, NI
32	323-12	2	Screw-HH
33	106-3214	2	Support-Pulley
34	3256-24	3	Washer-Flat
35	1-633109	3	Idler-Flat
37	3231-1	10	Screw-CARR
38	99-3058	4	Washer
39	323-9	1	Screw-HH
40	1-603496	1	Bushing-Idler
41	105-7787-01	1	Plate-Idler
42	105-7788	2	Spacer
43	3231-4	2	Screw-CARR
44	3296-39	2	Nut-Lock, NI
45	105-7789-01	1	Bracket-Cover, Belt
46	103-0862	3	Screw-Cap



Spindle Assembly No. 106-3217

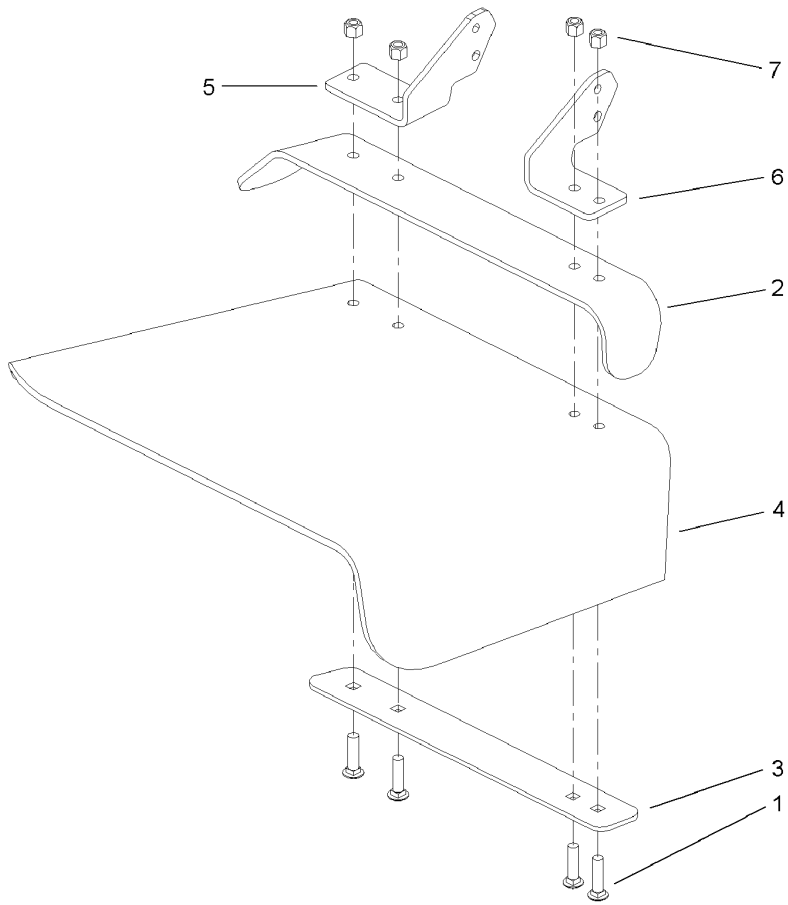
Ref	Part No.	Qty.	Description			
1	10-8040	1	Key-Square			
2	106-3277	1	Hub-Pulley			
3	103-0865	1	Washer-Blade Bolt, Heavy			
4	106-3204	2	Shield-Bearing			
5		1	Spindle Bearing ASM			
5:1	106-3211	1	Housing-Spindle			
5:2	106-3207	1	Bearing ASM			
5:2:1	27-0960	1	Bearing ASM			
5:2:2	106-3206	1	Spacer-Set, Matched			
5:3	253-133	2	Seal-Oil			
5:4	302-5	1	Fitting-Grease			
6	106-3218	2	Spacer-Seal			
7	106-3233	1	Spindle Shaft ASM			
8	3219-6	1	Nut-Hex			



Deck Decal Assembly No. 107-1623

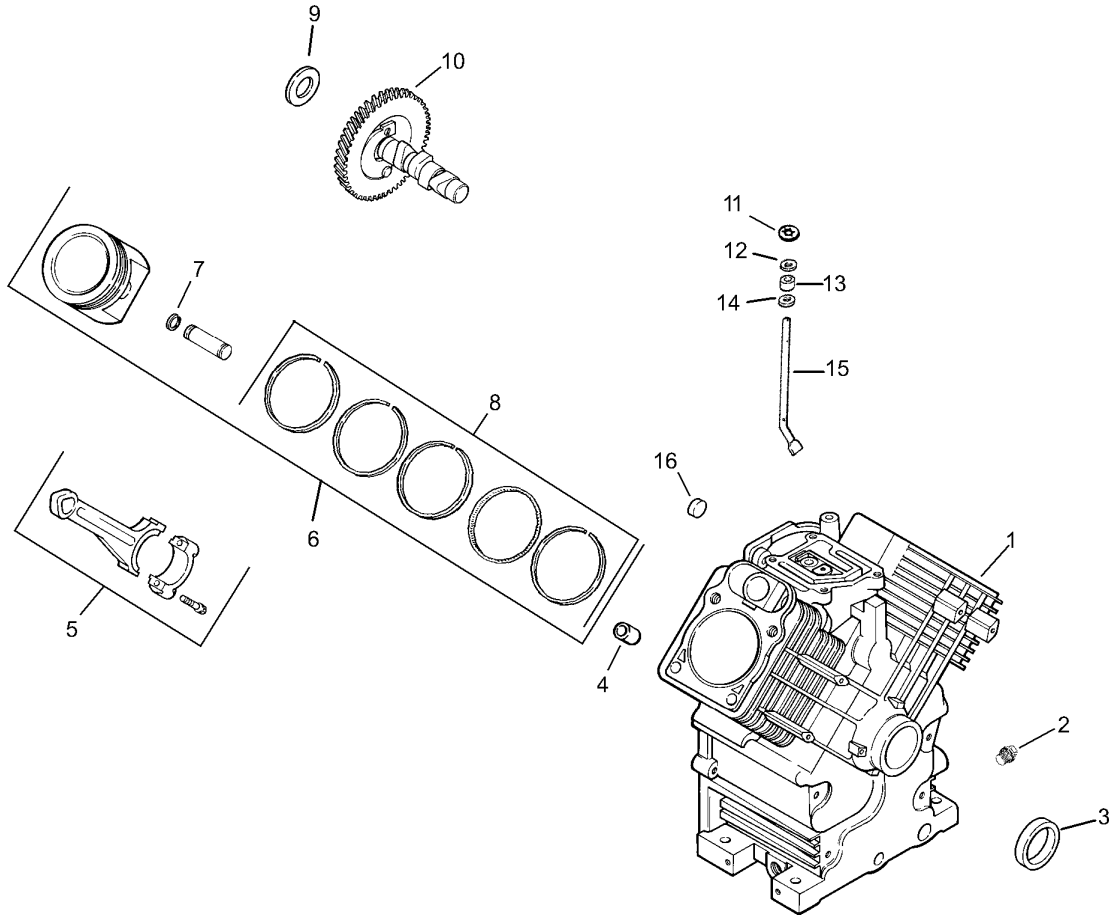
Ref	Part No.	Qty.	Description
2	54-9220	1	Decal-Danger
3	66-1340	1	Decal-Danger
4	98-5954	3	Decal-Missing, Cover
5	43-8480	1	Decal-Danger
6	68-8340	1	Decal-Torque
7	105-7797	1	Decal-Routing, Belt
8	105-7798	1	Decal-Anti Scalp
9	58-6520	3	Decal-Grease
10	107-1622	1	Decal-Adjustment, Baffle
11	107-1613	2	Decal-Grease
12	107-1618	1	Decal-Turbo Force 52
13	107-1621	1	Decal-Service, Check
14	104-8569	1	Decal-Warning

--	--	--	--



Rubber Deflector Assembly No. 106-3249

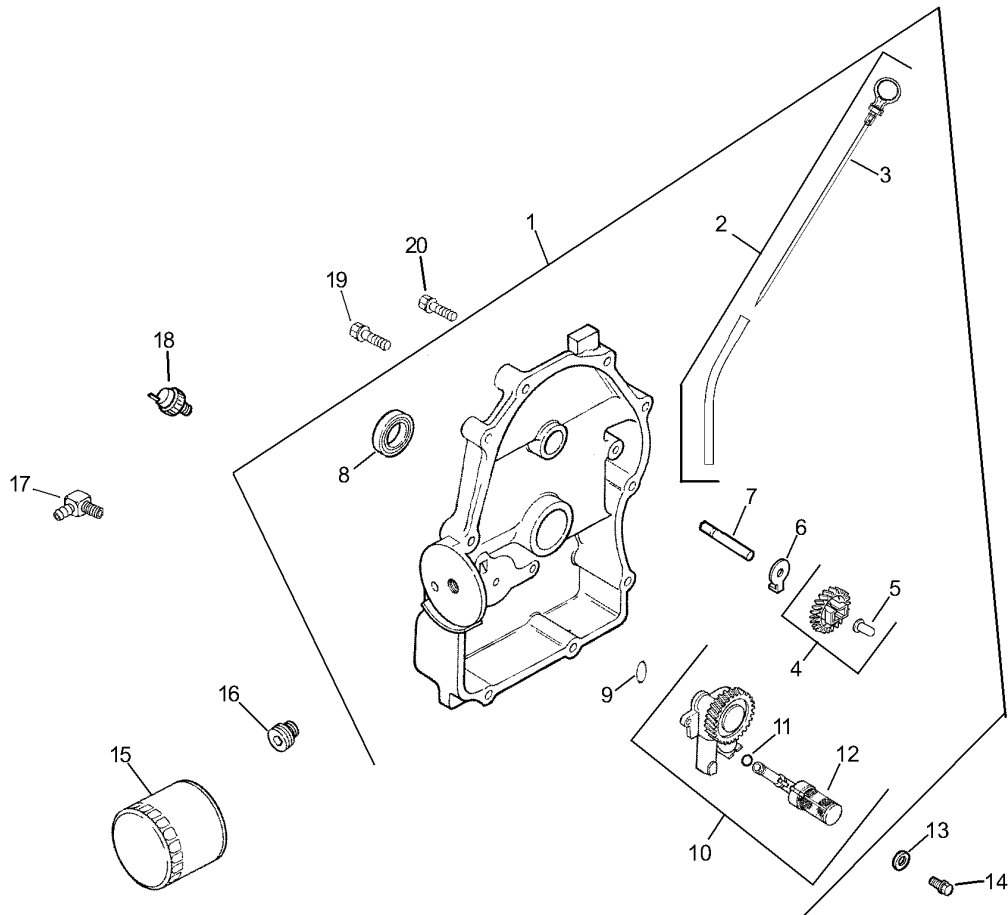
Ref	Part No.	Qty.	Description
1	3231-4	4	Screw-CARR
2	106-3246-01	1	Deflector
3	106-3248-03	1	Strap-Discharge
4	107-1617	1	Deflector-Rubber
5	106-3252-01	1	Plate-Hinge, Rear
6	106-3253-01	1	Plate-Hinge, Front
7	3296-39	4	Nut-Lock, NI



Crankcase Assembly Kohler CH20 PS-64706

Ref	Part No.	Qty.	Description
1		1	Crankcase (Use: Miniblock 24 782 15)
2	25 139 57-S	2	Plug, Sq. Hd. Solid 3/8
3	24 032 01-S	1	Seal-Oil
4	24 380 13-S	6	Pin-Locating
5	24 067 13-S	2	Rod-Connecting (Std.)
6	24 067 14-S	2	Rod-Connecting (.25)
7	24 874 17-S	2	Piston W/ring Set (Std.) (Includes 7, 8)
8	24 874 14-S	2	Piston W/ring (.08)
9	24 874 18-S	2	Set-Piston W/ring (.25)
10	24 874 19-S	2	Set-Piston W/ring (.50)
11	24 018 01-S	4	Retainer-Piston Pin
12	24 108 11-S	2	Ring Set (Std.)
13	24 108 12-S	2	Ring Set (.25)
14	24 108 13-S	2	Set-Ring (.50)
15	12 422 09-S	0	Shim-Camshaft, Red
16	12 422 13-S	0	Shim-Camshaft, Black
17	12 422 07-S	0	Shim-Camshaft, White
18	12 422 08-S	0	Shim-Camshaft, Blue
19	12 422 10-S	1	Shim-Camshaft, Yellow
20	12 422 11-S	0	Shim-Camshaft, Green
21	12 422 12-S	0	Shim-Camshaft, Gray
22	24 012 10-S	1	Camshaft

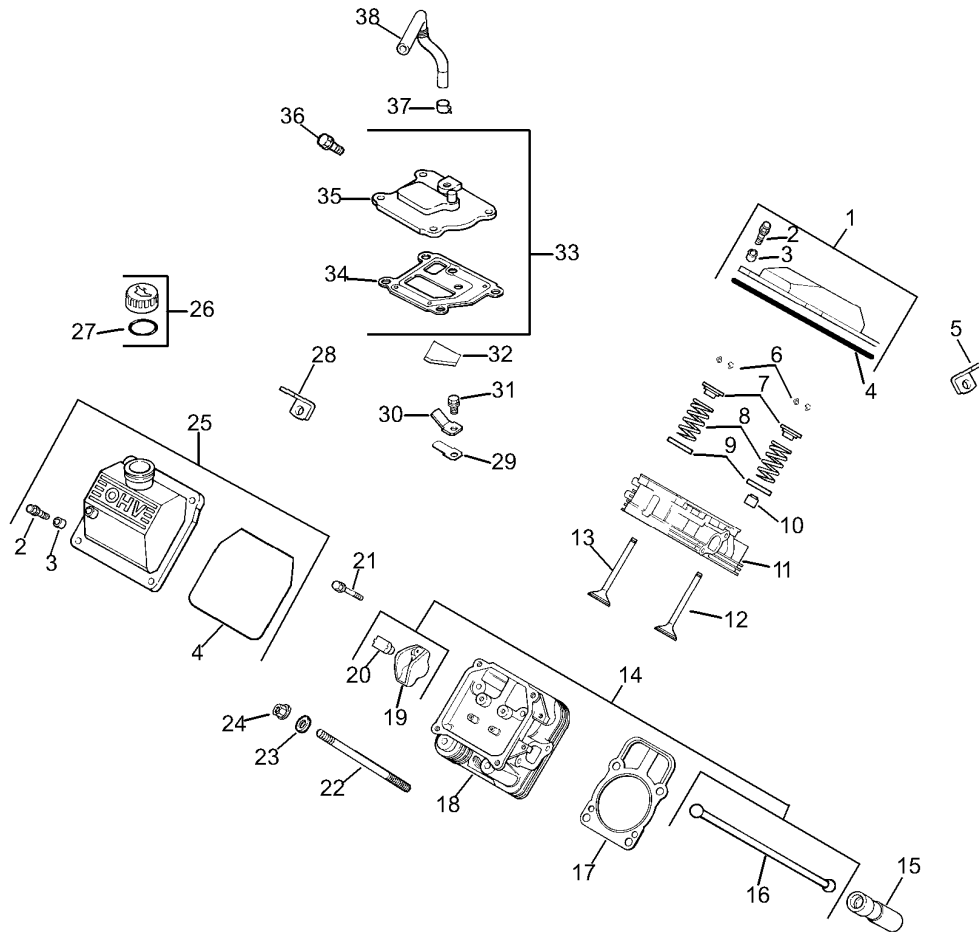
Ref	Part No.	Qty.	Description
23	24 018 09-S	1	Retainer-Ring
24	M-931010-S	1	Washer-Flat
25	28 032 09-S	1	Seal-Governor Cross
26	24 468 15-S	1	Washer
27	24 144 38-S	1	Shaft-Governor Cross
28	52 139 09-S	1	Plug-Cup



Oil Pan and Lubrication Assembly Kohler CH20 PS-64706

Ref	Part No.	Qty.	Description
❶	24 009 83-S	1	Kit, Closure Plate (Includes 2-12,19,20)
❷		1	Kit, Dipstick And Tube (Includes 3)
❸		1	Dipstick
❹	24 043 12-S	1	Kit, Governor Gear W/pin (Includes 5)
❺	12 380 01-S	1	Pin, Governor Regulating
❻	52 448 02-S	1	Tab-Locking
❼	12 144 02-S	1	Shaft, Governor Gear
❽	52 032 08-S	1	Seal-Oil
❾	24 153 08-S	1	O-Ring
❿	24 393 10-S	1	Oil Pump Assembly (Includes 11, 12)
⓫	24 153 01-S	1	O-Ring
⓬	24 381 04-S	1	Pick-Up-Oil
⓭	M-631005-S	2	Washer, Plain 6 Mm
⓮	M-645025-S	2	Screw, Hex. Flange M6x1.0x25
⓯		1	Filter-Oil
⓰	24 136 01-S	1	Nipple,oil Filter
⓱	25 155 02-S	1	Connector, 90
⓲	24 099 03-S	1	Switch-Pressure
⓳	24 086 16-S	9	Screw, Hex. Flange M8x1.25x45
⓴	24 086 17-S	1	Screw, Hex. Flange M8x1.25x45

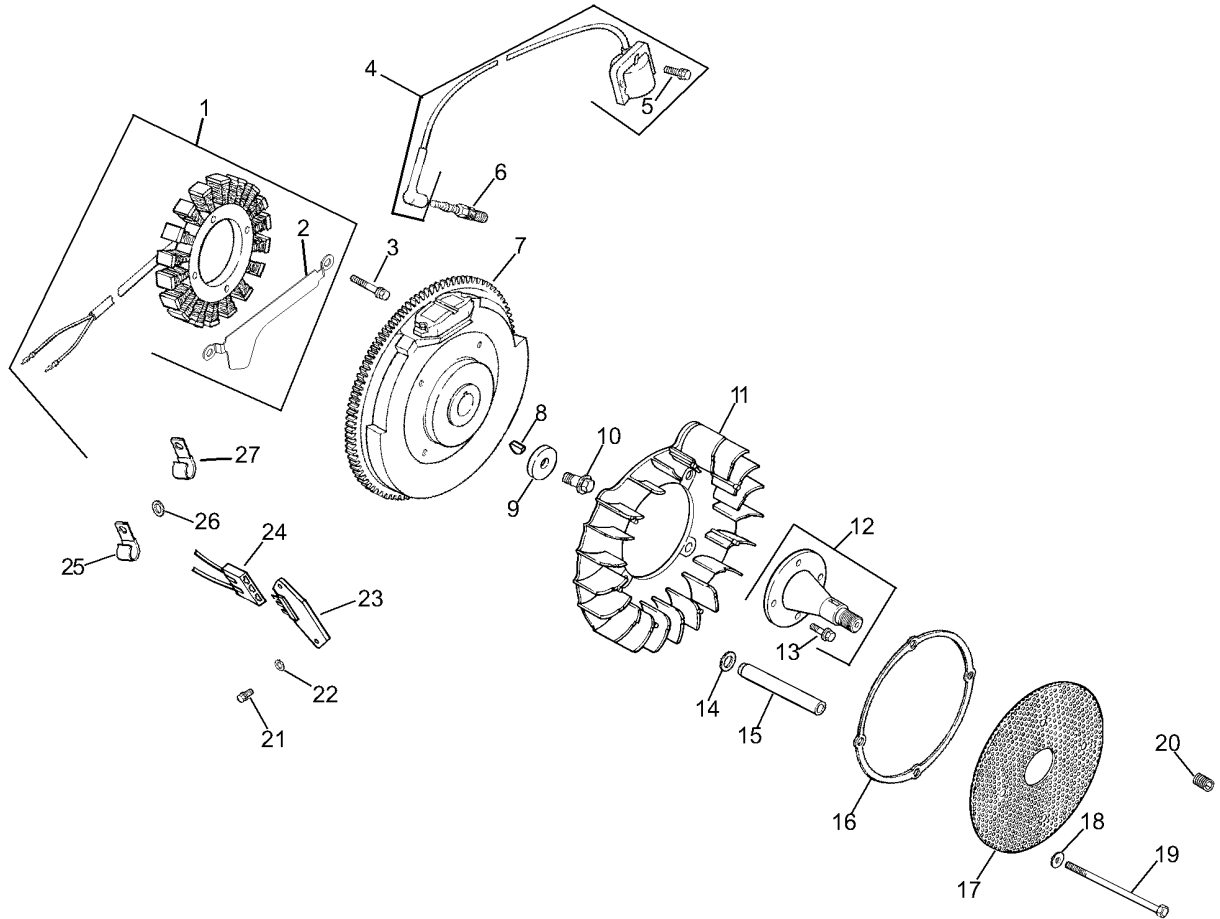
--	--	--	--



Head / Valve / Breather Assembly Kohler CH20 PS-64706

Ref	Part No.	Qty.	Description
1	24 755 74-S	1	Kit, Valve Cover-Plain (Includes 2-4)
2	M-651030-S	4	Screw-HF
3	24 112 08-S	4	Spacer
4	24 153 23-S	1	O-Ring, Valve Cover
5	12 445 05-S	1	Strap-Lifting
6	12 755 03-S	4	Kit, Retainer
7	12 173 01-S	4	Cap, Valve Spring
8	24 089 02-S	4	Spring-Valve
9	235011-S	4	Retainer-Spring
10	66 032 05-S	2	Seal-Valve Stem
11	24 318 68-S	1	#1 Cylinder Head ASM
12	24 017 01-S	2	Valve-Intake (Std)
13	24 017 02-S	2	Valve-Intake (.25)
14	24 016 01-S	2	Valve-Exhaust (Std)
15	24 016 02-S	2	Valve-Exhaust (.25)
16	24 755 66-S	1	Kit, Valve Train (Includes 16, 19, 20)
17	25 351 01-S	4	Lifter, Valve
18	24 411 05-S	4	Rod-Push
19	24 041 08-S	2	Gasket-Cylinder Head
20	24 318 71-S	1	#2 Cylinder Head ASM
21	25 186 01-S	4	Arm, Rocker
22	24 599 01-S	4	Pivot-Rocker Arm

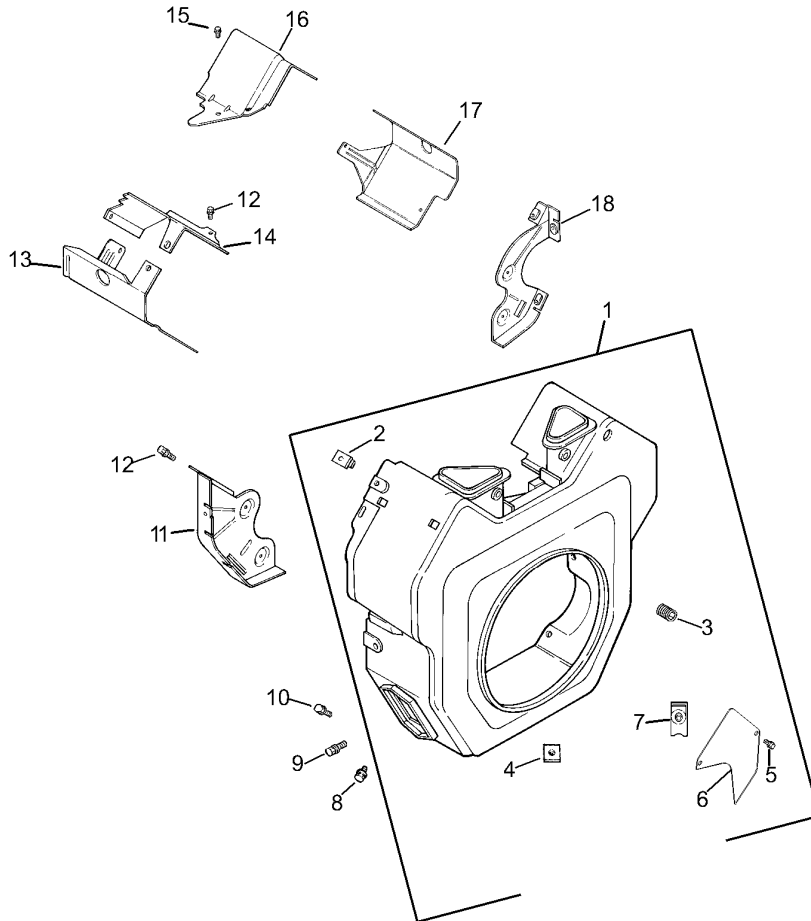
Ref	Part No.	Qty.	Description
21	M-640034-S	4	Screw, Hex. Flange M6x1.0x34
22	24 072 09-S	8	Stud, Cyl. Head
23	24 468 16-S	8	Washer,flat
24	24 100 10-S	8	Nut-HF
25	24 755 75-S	1	Kit, Valve Cover-Oil Fill (Includes 2-4)
26	25 755 13-S	1	Kit, Oil Fill Cap (Includes 27)
27	25 153 02-S	1	O-Ring
28	24 445 01-S	1	Strap-Lifting
29	24 402 03-S	1	Reed
30	12 018 01-S	1	Retainer, Breather Reed
31	M-545010-S	1	Screw, Hex. Flange M5x0.8x10
32	24 050 01-S	1	Filter-Breather
33	24 033 01-S	1	Kit, Breather (Includes 34, 35)
34	24 041 23-S	1	Gasket-Breather
35	24 096 86-S	1	Cover-Breather
36	M-645020-S	4	Screw, Hex. Flange M6.1.0x20
37	25 237 08-S	2	Clamp-Hose
38	24 326 31-S	1	Hose-Breather



Ignition / Electrical Assembly Kohler CH20 PS-64706

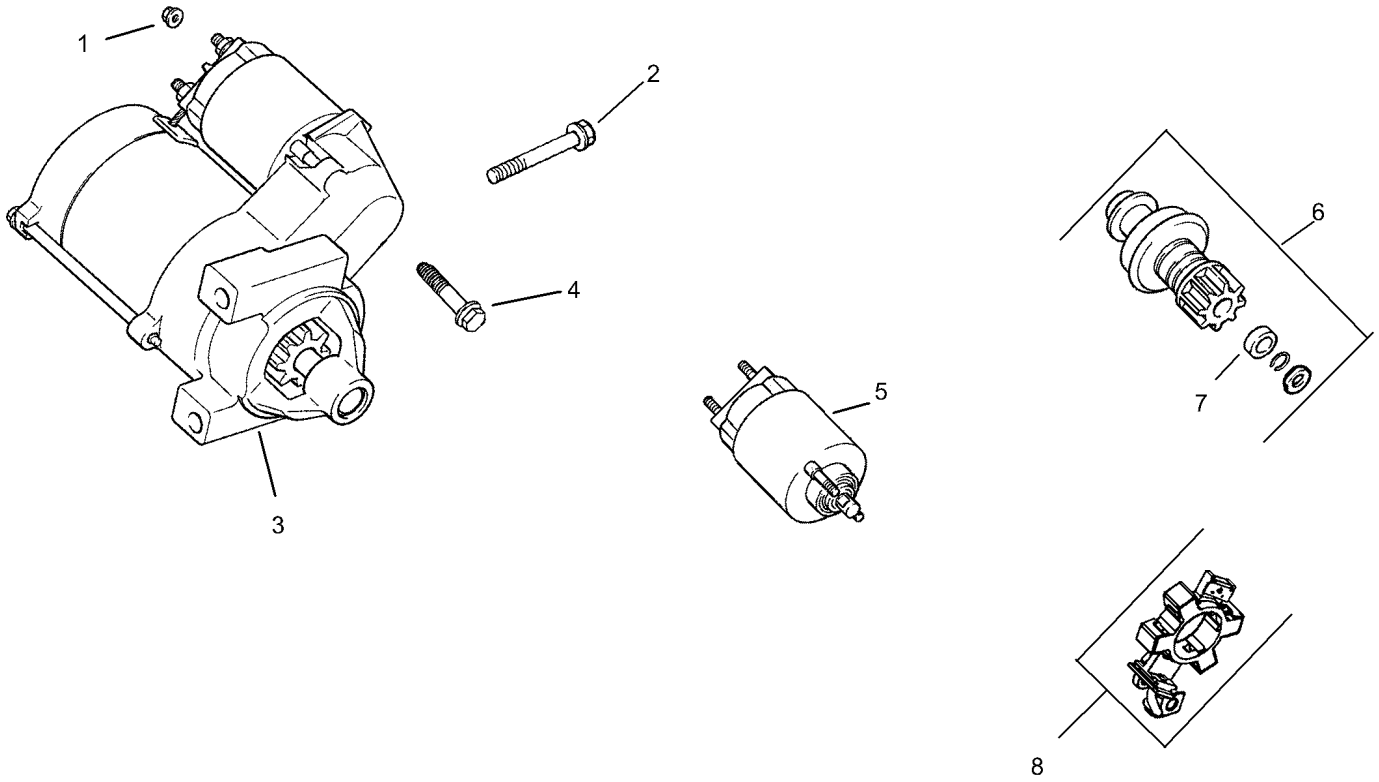
Ref	Part No.	Qty.	Description
1	54 755 09-S	1	Kit, 15 Amp Stator (Includes 2)
2	24 126 71-S	1	Bracket-Stator Wire
3	M-548025-S	2	Screw, Hex. Cap M5x0.8x25
4	24 584 25-S	2	Kit, Ignition Module (Includes 5)
5	M-561025-S	4	Screw-HSH
6		2	Plug-Spark
7	24 025 01-S	1	Flywheel
8	X-42-15-S	1	Key
9	12 468 03-S	1	Washer, Plain 3/8in
10	12 086 14-S	1	Screw, Hex. Flange M10x1.5x46
11	24 157 01-S	1	Fan
12	24 755 08-S	1	Kit, Front Drive Shaft (Includes 13)
13	M-839025-S	4	Screw, Hex. Flange M8x1.25x25
14	24 468 11-S	4	Washer-Spring
15	24 112 14-S	4	Spacer
16	24 141 06-S	1	Ring-Support
17	24 162 22-S	1	Screen-Grass
18	X-25-53-S	4	Washer
19	M-603100-S	4	Screw-HH
20	25 086 43-S	1	Screw-Set
21	24 086 18-S	2	Screw
22	X-25-92-S	2	Washer
23	25 403 03-S	1	Rectifier-Regulator

Ref	Part No.	Qty.	Description
24	236602-S	1	Connector Rectifier-Regulator (3 Contact)
25	235173-S	1	Clip-Cable
26	X-25-63-S	1	Washer
27	48 154 02-S	1	Clip-Cable
1	24 518 12-S	1	Lead, Black (6in - 12 Gauge - Insulated Grip Barrel Eyelet Terminals)
1	24 176 109-S	1	Harness, Wiring
1	25 454 03-S	2	Tie, Wire
1	X-22-11-S	1	Washer, Lock 1/4



Blower Housing Assembly Kohler CH20 PS-64706

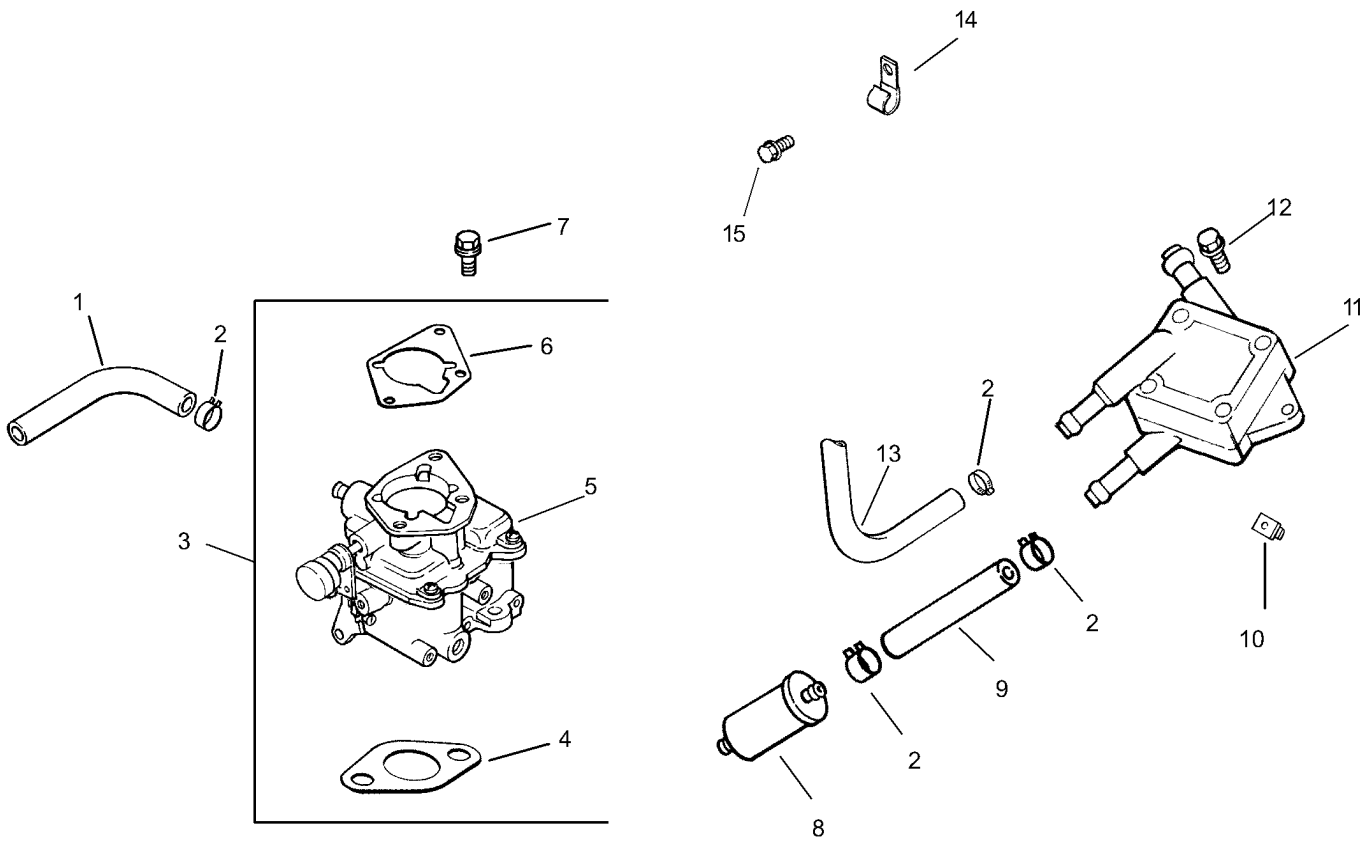
Ref	Part No.	Qty.	Description				
❶	54 027 93-S	1	Housing, Blower Assembly (Includes 2-7)				
❷	24 100 01-S	2	Nut				
❸	25 086 43-S	1	Screw-Set				
❹	24 100 02-S	2	Nut-Plastic				
❺	M-645016-S	4	Screw, Hex. Flange M6x1.0x16				
❻	24 096 64-S	2	Cover, Access				
❼	25 154 02-S	4	Clip, Mounting				
❽	M-551016-S	1	Screw-HF				
❾	M-545016-S	3	Screw, Hex. Flange M5x0.8x16				
❿	M-545020-S	4	Screw, Hex. Flange M5x0.8x20				
⓫	24 146 16-S	1	Plate-Backing, #2 Side				
⓬	M-645016-S	6	Screw, Hex. Flange M6x1.0x16				
⓭	24 063 20-S	1	Baffle-Cylinder Barrel, #2 Side				
⓮	24 063 17-S	1	Baffle-Valley #2 Side				
⓯	M-545010-S	2	Screw, Hex. Flange M5x0.8x10				
⓰	24 063 59-S	1	Baffle-Valley, #1 Side				
⓱	24 063 58-S	1	Baffle-Cylinder, #2 Side				
⓲	24 146 20-S	1	Plate-Backing, #1 Side				
⓳	24 113 114-S	1	Decal, 20 Hp				



Starter Assembly Kohler CH20 PS-64706

Ref	Part No.	Qty.	Description
1	M-841080-S	1	Nut, Hex. Flange M8x1.25
2	M-839080-S	2	Screw-HF
3	25 098 09-S	1	Starter, Solenoid Shift Assembly (Includes 4-8)
4	25 086 113-S	3	Screw-External Torx Head
5	25 435 05-S	1	Kit, Solenoid (Includes 4)
6	25 755 33-S	1	Kit, Pinion Drive (Includes 7)
7	25 141 05-S	1	Ring
8	25 221 01-S	1	Brush Kit

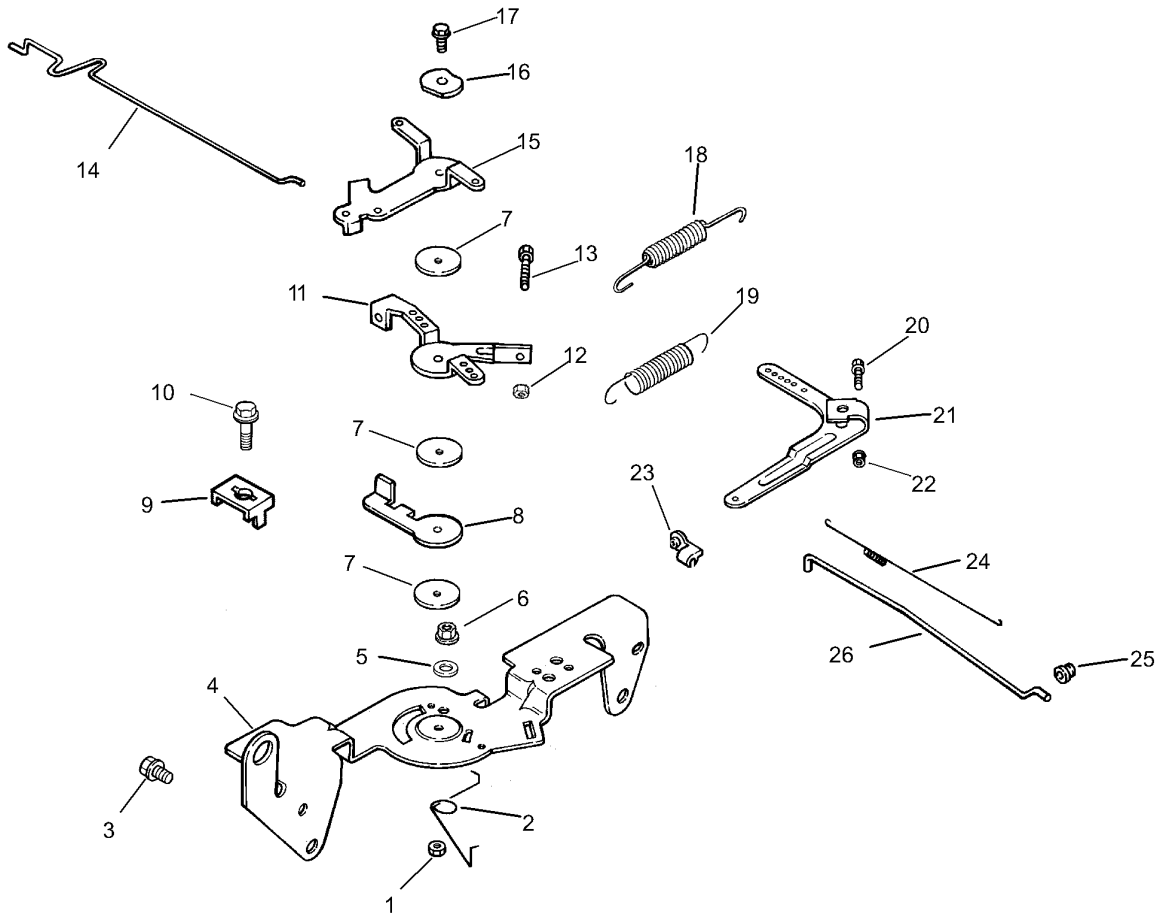
--	--	--	--



Fuel System Assembly Kohler CH20 PS-64706

Ref	Part No.	Qty.	Description
1	25 353 32-S	1	Line-Fuel
2	25 237 14-S	6	Clamp, Hose
3	24 853 32-S	1	Kit, Carburetor W/gaskets (Includes 4-6)
4	24 041 06-S	1	Gasket-Air Cleaner
5	24 053 32	1	Carburetor Assembly (Includes 15-35)
6	24 041 17-S	1	Gasket-Carburetor
7	M-651030-S	2	Screw-HF
8	24 050 02-S	1	Filter-Fuel
9	25 353 15-S	1	Line-Fuel, 3-1/2"
10	24 100 01-S	2	Nut
11	24 393 16-S	1	Pump-Fuel
12	24 086 12-S	2	Screw
13	24 353 02-S	1	Line-Fuel
14	47 154 01-S	1	Clip-Cable
15	M-650012-S	1	Screw-HF
15	24 757 01-S	1	Solenoid Kit
15	24 757 02-S	1	Float Kit
15	24 757 03-S	1	Carburetor Repair Kit
15	24 757 07-S	1	Choke Repair Kit
15	24 755 125-S	1	High Altitude Kit W/gaskets

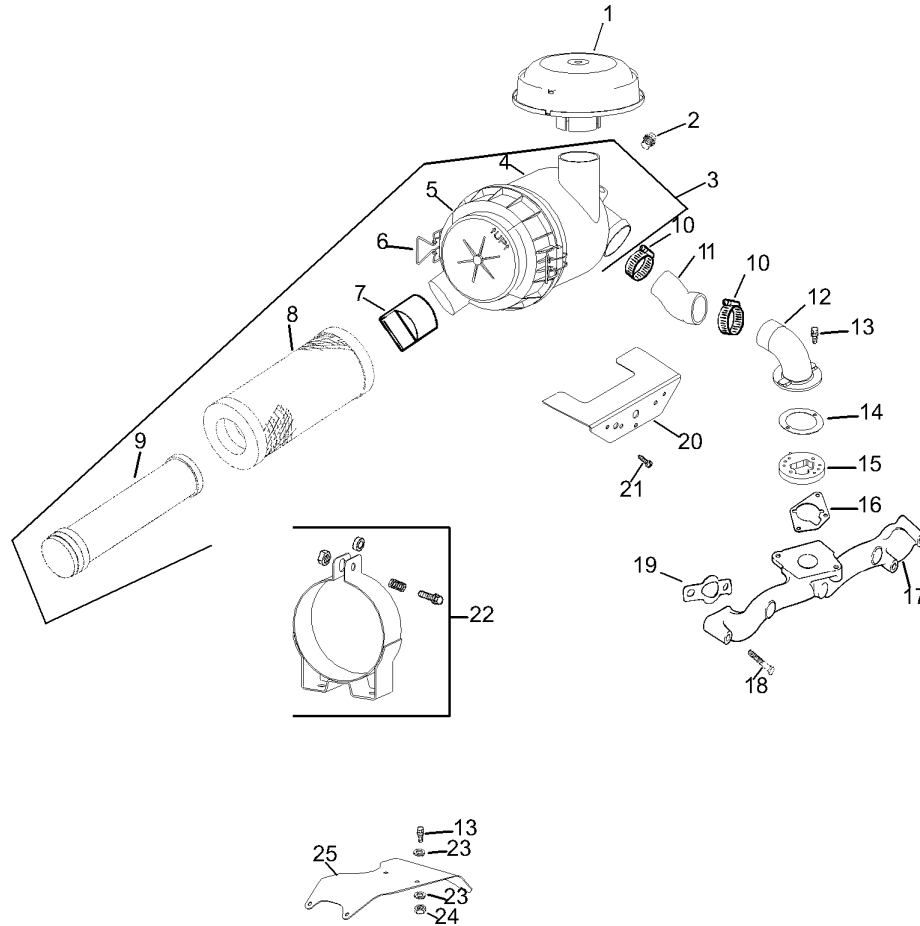
--	--	--	--



Engine Control Assembly Kohler CH20 PS-64706

Ref	Part No.	Qty.	Description
1	M-547050-S	1	Nut-Hex
2	24 089 03-S	1	Spring-Choke Return
3	M-645016-S	4	Screw, Hex. Flange M6x1.0x16
4	24 126 56-S	1	Bracket-Control
5	X-20-1-S	1	Washer-Lock
6	M-541050-S	1	Nut, Hex. Flange M5x0.8
7	24 468 01-S	3	Washer
8	24 090 07-S	1	Lever-Actuator,throttle
9	12 237 01-S	2	Clamp, Cable
10	M-545016-S	3	Screw, Hex. Flange M5x0.8x16
11	24 090 03-S	1	Lever-Throttle Control
12	M-446030-S	1	Nut, Hex. M4x0.7
13	M-401030-S	1	Screw, Hex. Flange M4x0.7x30
14	24 079 21-S	1	Linkage-Choke
15	24 090 05-S	1	Lever-Choke
16	41 468 03-S	1	Washer-Wave
17	M-545020-S	1	Screw, Hex. Flange M5x0.8x20
18	24 089 51-S	1	Spring-Governor
19	24 089 48-S	1	Spring, Governor
20	24 211 03-S	1	Bolt
21	24 090 33-S	1	Lever-Governor
22	M-641060-S	1	Nut, Hex. Flange M6x1.0
23	25 158 11-S	1	Bushing, Linkage Retaining
24	24 089 01-S	1	Spring-Linkage

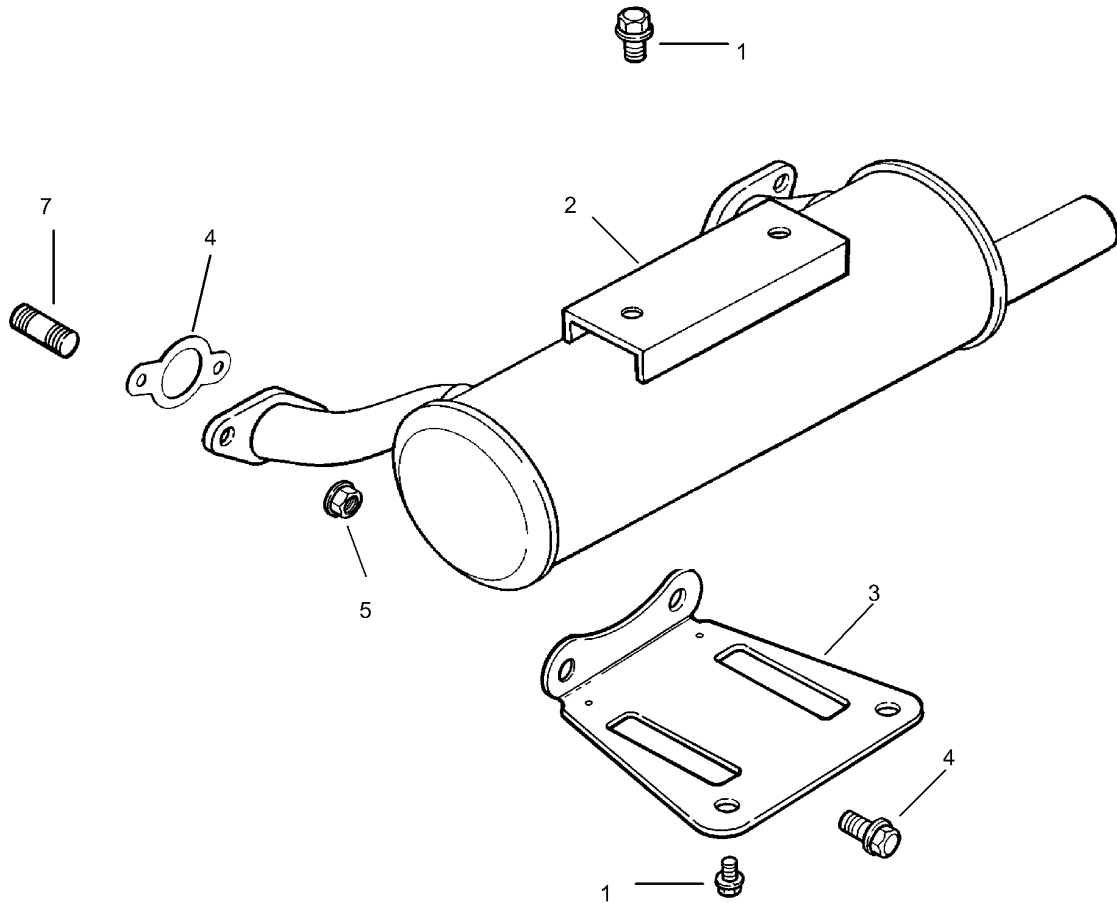
Ref	Part No.	Qty.	Description
25	25 158 08-S	1	Bushing, Linkage Retaining
26	24 079 01-S	1	Linkage-Throttle



Air Intake / Filtration Assembly Kohler CH20 PS-64706

Ref	Part No.	Qty.	Description
❶	25 324 02-S	1	Hood, Air Cleaner
❷	25 139 20-S	1	Plug, Pipe
❸	25 048 07-S	1	Cleaner, Heavy Duty Air (Includes 4-9)
❹	25 081 01-S	1	Housing, Heavy Duty Aircleaner
❺	25 096 06-S	1	Cover ASM
❻	25 154 05-S	2	Clip
❼	24 462 07-S	1	Valve, Dust Ejector
❽	25 083 01-S	1	Element, Air-Primary
❾	25 083 04-S	1	Element, Air-Safety
❿	25 237 07-S	2	Clamp, Hose
⓫	24 326 32-S	1	Hose, Air Cleaner
⓬	24 029 21-S	1	Adapter-Air Cleaner
⓭	M-639016-S	6	Screw-HF
⓮	24 041 34-S	1	Gasket-Adapter
⓯	24 029 26-S	1	Adapter ASM
⓰	24 041 06-S	1	Gasket-Air Cleaner
⓱	24 164 14-S	1	Manifold
⓲	25 086 84-S	4	Screw-Hfh
⓳	24 041 01-S	2	Gasket-Intake Manifold
⓴	24 314 25-S	1	Shield-Debris
⓵	24 086 06-S	2	Screw
⓶	25 126 02-S	1	Air Cleaner Bracketasm,
⓷	X-25-73-S	4	Washer-Plain

Ref	Part No.	Qty.	Description
❷❹	M-647060-S	2	Nut, Hex Lock
❷❺	24 126 98-S	1	Bracket, Air Cleaner
❶❸	25 113 27-S	1	Decal-Air Cleaner



Exhaust Assembly Kohler CH20 PS-64706

Ref	Part No.	Qty.	Description
①	M-650012-S	4	Screw-HF
②	24 068 18-S	1	Muffler
③	24 126 12-S	1	Bracket-Muffler
④	M-839020-S	2	Screw-Hex Flange
⑤	M-841080-S	4	Nut, Hex. Flange M8x1.25
⑦	25 072 04-S	4	Stud M8x1.25x33
①②	24 522 167	1	Shortblock
①③	24 782 15	1	Miniblock
①④	24 755 107-S	1	Gasket Set

NOTES

