



Count on it.

Parts Catalog

Turf Pro™ 500S

Robotic Mower

Model No. 30922ANZ—Serial No. 325000000 and Up



Ordering Replacement Parts

To order replacement parts, please supply the part number, the quantity, and the description of each part desired.

Understanding Reference Numbers

Each identified part in an illustration has a reference number. The reference number for a part also appears in the parts list, along with other information about the part.

This catalog uses two special reference number formats, one to indicate parts in a service assembly and another to indicate the quantity of a given part in an illustration.

Service Assembly Reference Numbers

Parts in service assemblies have reference numbers in the form a:b. The a represents the reference number of the entire service assembly and the b represents a sequential number unique to each part within the service assembly.

For example, a wheel assembly might be identified by reference number 6, the tire by 6:1, the valve by 6:2, and the wheel by 6:3. When you order the assembly identified by reference number 6, you receive all parts identified by reference numbers 6:1, 6:2, and 6:3. However, you may also order any part individually. Reference numbers of this type appear in illustration and in parts lists.

Reference Numbers Indicating Quantity

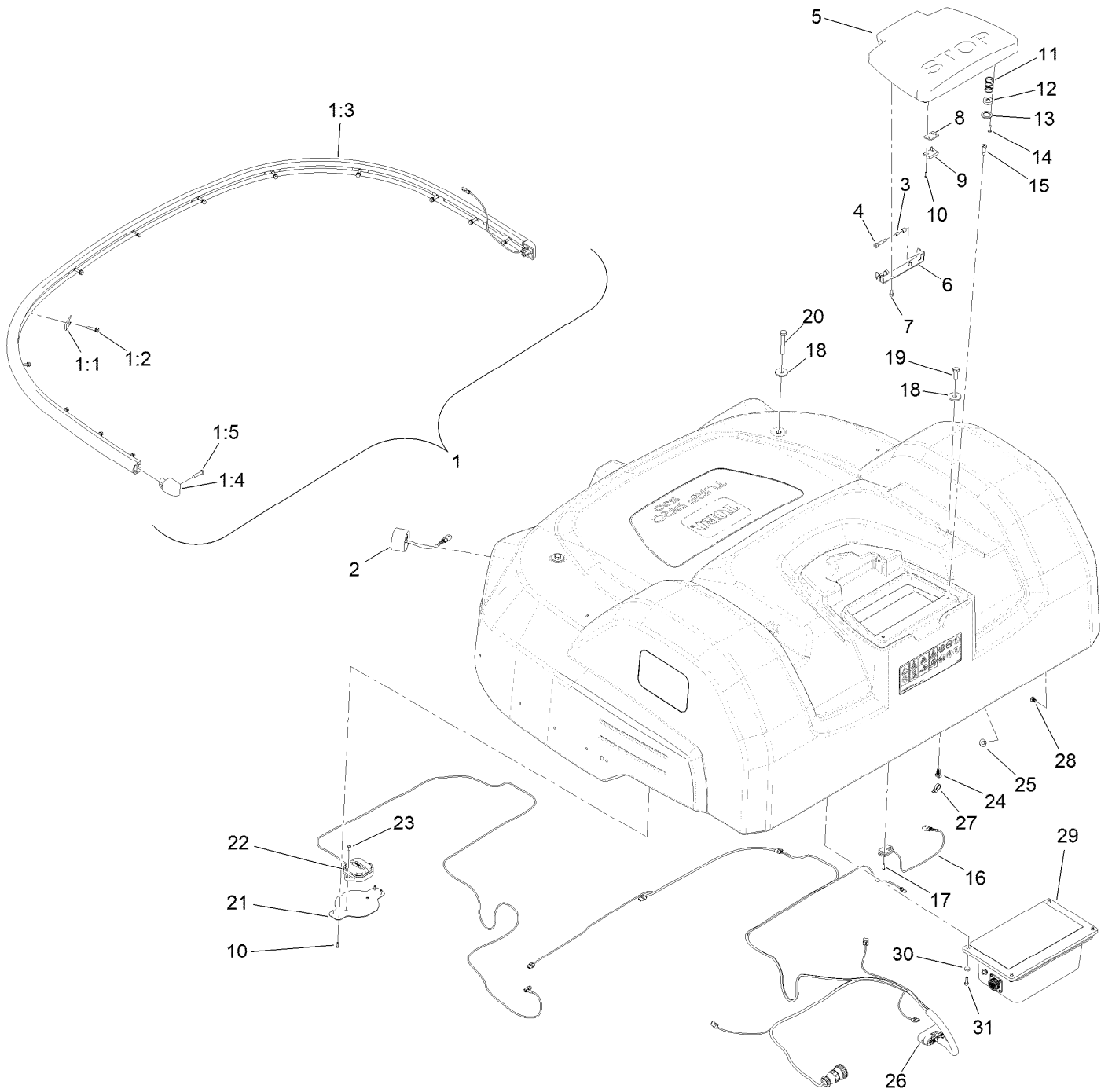
In an illustration, if a reference number indicates more than one part, the reference number has the form nX y. The n represents the quantity of the part, the X is the multiplication symbol, and the y represents the reference number.

For example, in an illustration, the reference number 2X 37 means that two of the parts identified by reference number 37 are indicated.

Contents

Body Assembly	4
Charging Housing Assembly	6
Main Frame Assembly	8
Cutting Height Assembly	10
Electrical and Battery Box Assembly	12
Frame Support Assembly	14
Lift Sensors Assembly	16
Wheels and Drive Motor Assembly	18
Cutting Heads Assembly	20
Cutting Disc Assembly No. 163-5579	22
Electrical Parts Assembly	24
Attachments and Accessories	26

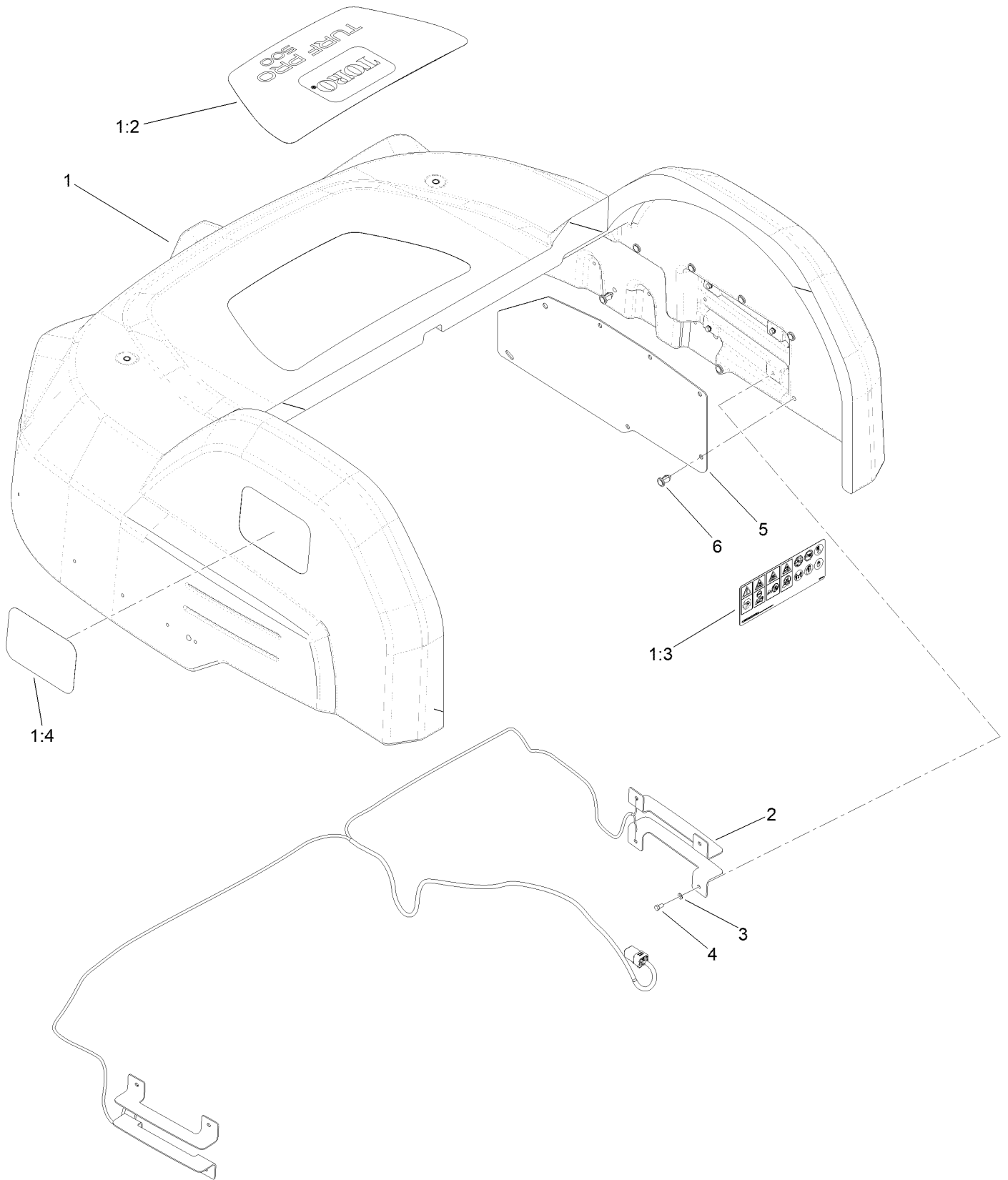
Body Assembly



Body Assembly (continued)

<i>Ref.</i>	<i>Part Number</i>	<i>Qty.</i>	<i>Description</i>	<i>Ref.</i>	<i>Part Number</i>	<i>Qty.</i>	<i>Description</i>
1	164-0086	1	Bumper Kit	14	163-5396	6	Screw-Pzfbh, Plastic
1:1	163-5375	13	Plate-Nut	15	163-5388	2	Screw-Shoulder
1:2	163-5374	13	Screw-HWH, Sems	16	163-5379	1	Harness-Stop Button
1:3	164-0088	1	Bumper ASM	17	163-5380	2	Screw-Pzrh, Plastic
1:4	163-5373	2	End Cap, Bumper	18	163-5400	4	Washer-Flat
1:5	163-5376	2	Screw-Pzph	19	163-5398	2	Screw-HH
2	164-0084	5	Sensor-Ultrasonic	20	163-5399	2	Screw-HH
3	163-5390	4	Spacer	21	163-5557	1	Antenna Support ASM
4	163-5389	2	Screw-Shoulder	22	163-5558	1	Antenna-Rtk
5	163-5391	1	Button-Stop	23	163-5559	2	Screw-PPH
6	163-5397	1	Bracket-Hinge, Stop Button	24	163-5384	39	Mount-Cable Tie
7	163-5382	2	Screw-HH	25	163-5385	1	Mount-Cable Tie
8	163-5402	1	Spacer-Switch, Reed	26	163-5381	1	Harness-Jae Bodywork
9	163-5392	1	Magnet-Bonnet	27	3290-378	40	Tie-Cable
10	163-5523	6	Screw-Pz, Plastic	28	163-5401	6	Rivet-Push
11	163-5393	2	Spring-Compression	29	163-5868	1	Smartbox-Anz
12	163-5394	2	Magnet	30	163-5554	4	Washer-Flat
13	163-5395	2	Washer-Lock	31	163-5553	4	Screw-HH

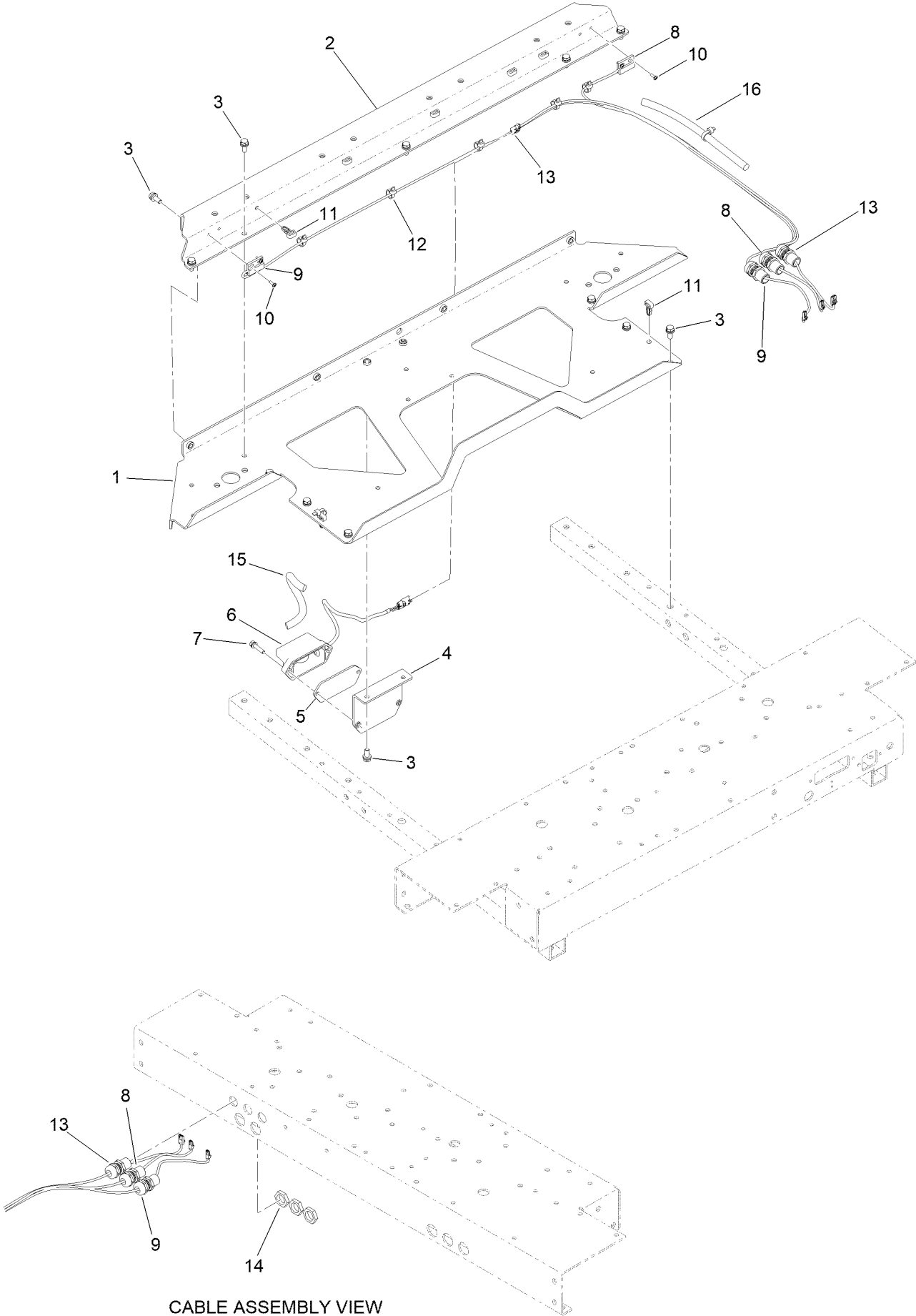
Charging Housing Assembly



Charging Housing Assembly (continued)

<i>Ref.</i>	<i>Part Number</i>	<i>Qty.</i>	<i>Description</i>	<i>Ref.</i>	<i>Part Number</i>	<i>Qty.</i>	<i>Description</i>
1	163-5354	1	Body Service ASM	3	163-5383	8	Washer-Flat
1:2	163-3956	1	Decal-Turf Pro 500, Top	4	163-5382	8	Screw-HH
1:3	163-3955	1	Decal-Panel	5	163-5386	2	Plate-Protection, Contacts
1:4	105-1217	2	Decal	6	163-5387	14	Rivet-Push
2	163-5561	1	Charge Cable ASM				

Main Frame Assembly

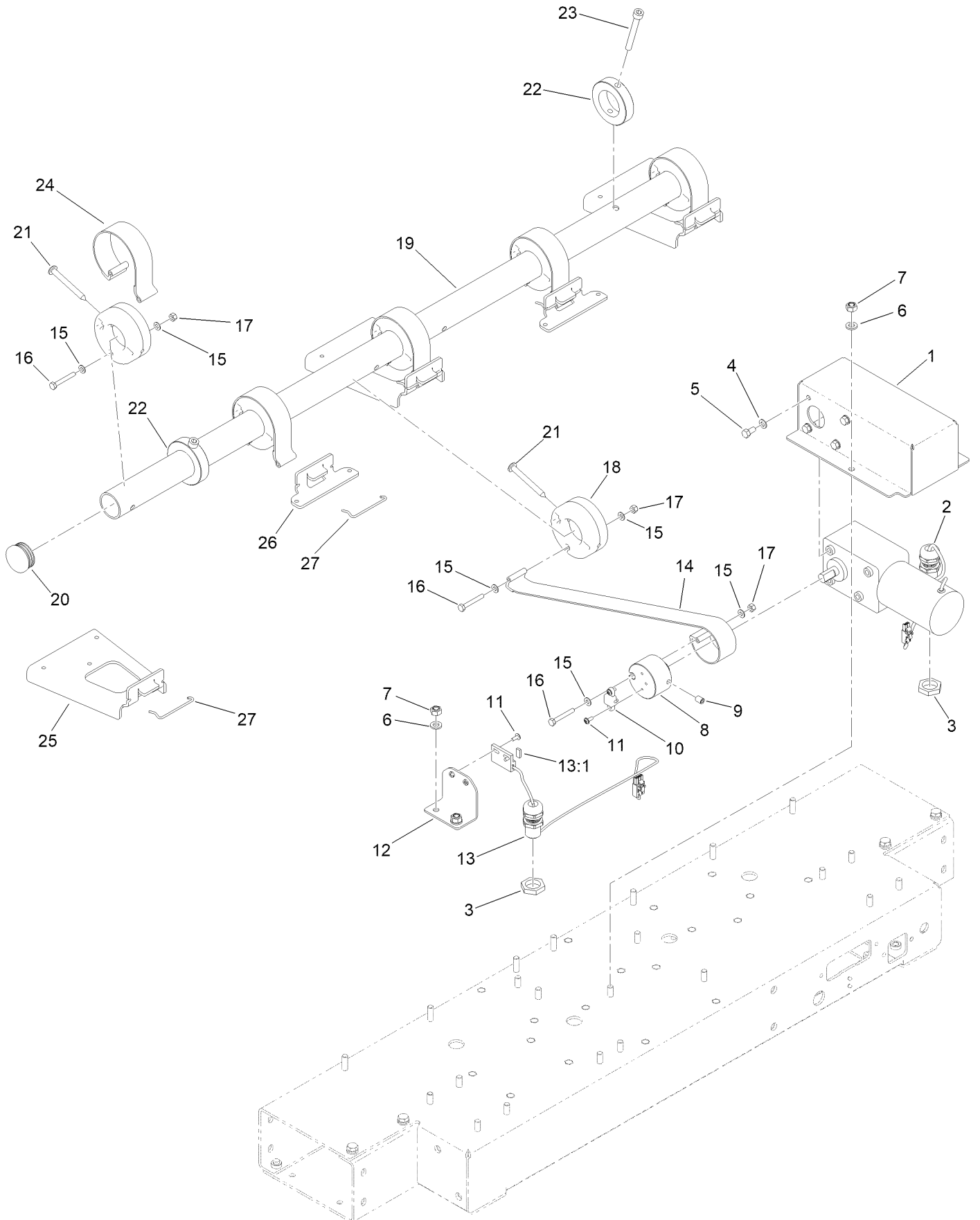


CABLE ASSEMBLY VIEW

Main Frame Assembly (continued)

<i>Ref.</i>	<i>Part Number</i>	<i>Qty.</i>	<i>Description</i>	<i>Ref.</i>	<i>Part Number</i>	<i>Qty.</i>	<i>Description</i>
1	163-5407	1	Front Plate ASM	9	163-5411	1	Sensor-Proximity,LH Front
2	163-5409	1	Front Crossbar ASM	10	163-5413	4	Screw-Hsbhf
3	163-5408	17	Screw-HWH, Sems	11	163-5384	8	Mount-Cable Tie
4	163-5455	1	Bracket-Mount, Coil	12	3290-378	8	Tie-Cable
5	163-5404	1	Foam-Mount, Coil	13	163-5444	1	Cable-Coil, Central
6	163-5405	1	Coil	14	163-5418	3	Nut-Cable, Gland
7	163-5374	2	Screw-HWH, Sems	15	163-5406	1	Loom-Wire, Split
8	163-5410	1	Sensor-Proximity,RH Front	16	163-5412	1	Loom-Wire, Spiral

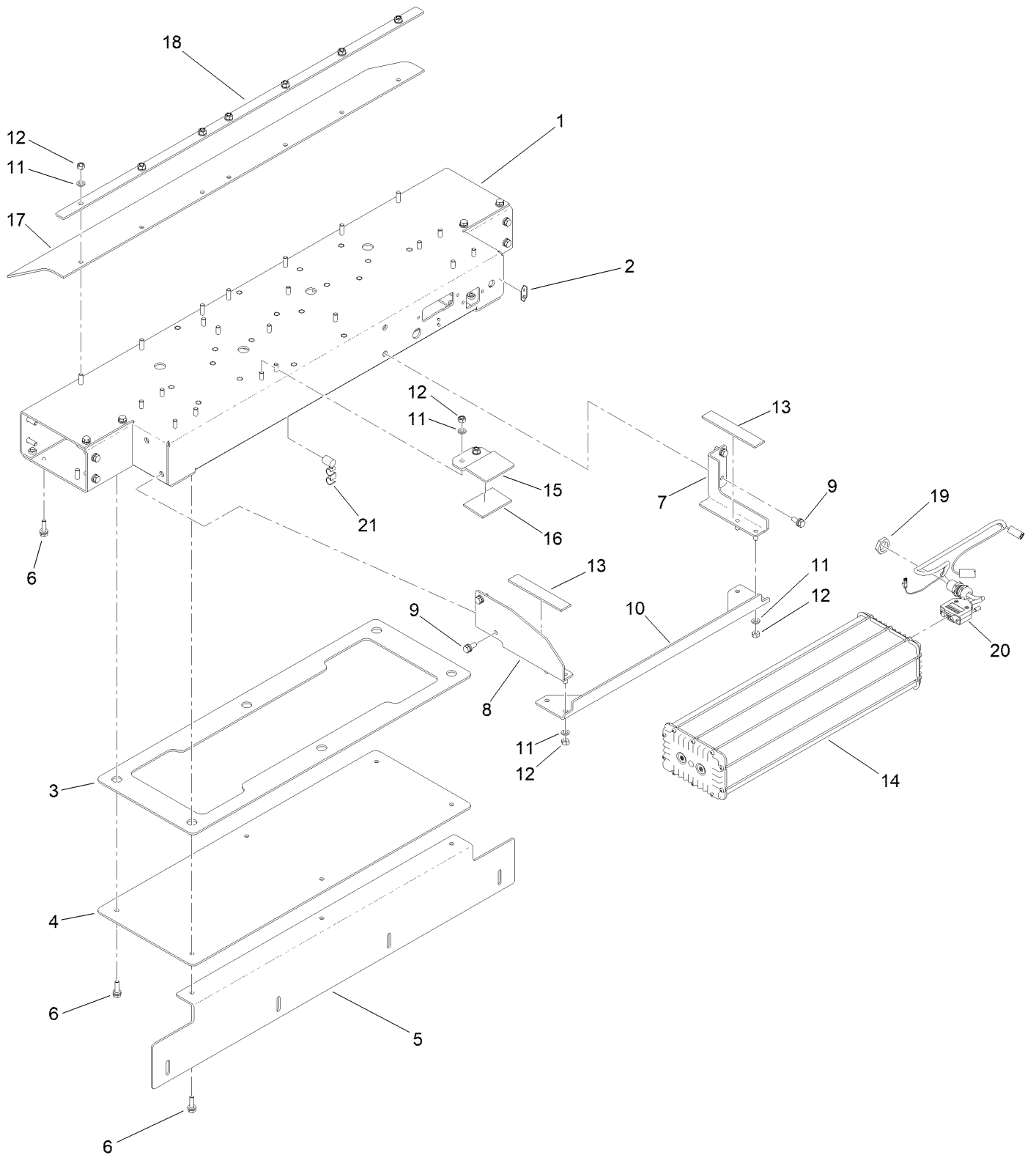
Cutting Height Assembly



Cutting Height Assembly (continued)

<i>Ref.</i>	<i>Part Number</i>	<i>Qty.</i>	<i>Description</i>	<i>Ref.</i>	<i>Part Number</i>	<i>Qty.</i>	<i>Description</i>
1	163-5415	1	Cover-Motor, Lifting	14	163-5431	1	Strap-Nylon, Long
2	163-5414	1	Motor-Lifting	15	163-5433	14	Washer-Flat
3	163-5418	2	Nut-Cable, Gland	16	163-5432	7	Screw-HH
4	163-5383	4	Washer-Flat	17	163-5434	7	Nut-Hex, NI
5	163-5382	4	Screw-HH	18	163-5429	6	Hub-Strap, Lift
6	163-5417	5	Washer-Flat	19	163-5425	1	Tube-Lift
7	163-5416	5	Nut-Hex, NI	20	163-5426	2	Plug-Cap, Round
8	163-5436	1	Pulley-Drive, Lift	21	163-5435	6	Screw-Pzph
9	163-5438	1	Screw-Set	22	163-5427	2	Ring-Thrust
10	163-5437	1	Mount-Magnet, Sensor	23	163-5428	2	Screw-HSH
11	163-5421	4	Screw-Hsbhf	24	163-5430	5	Strap-Nylon, Short
12	163-5419	1	Bracket-Mount, Sensor	25	163-5422	3	Bracket-Strap, Long
13	163-5420	1	Sensor-Angular	26	163-5423	2	Bracket-Strap, Short
13:1	164-0091	1	Magnet-Switch	27	163-5439	5	Pin-Locking, Strap

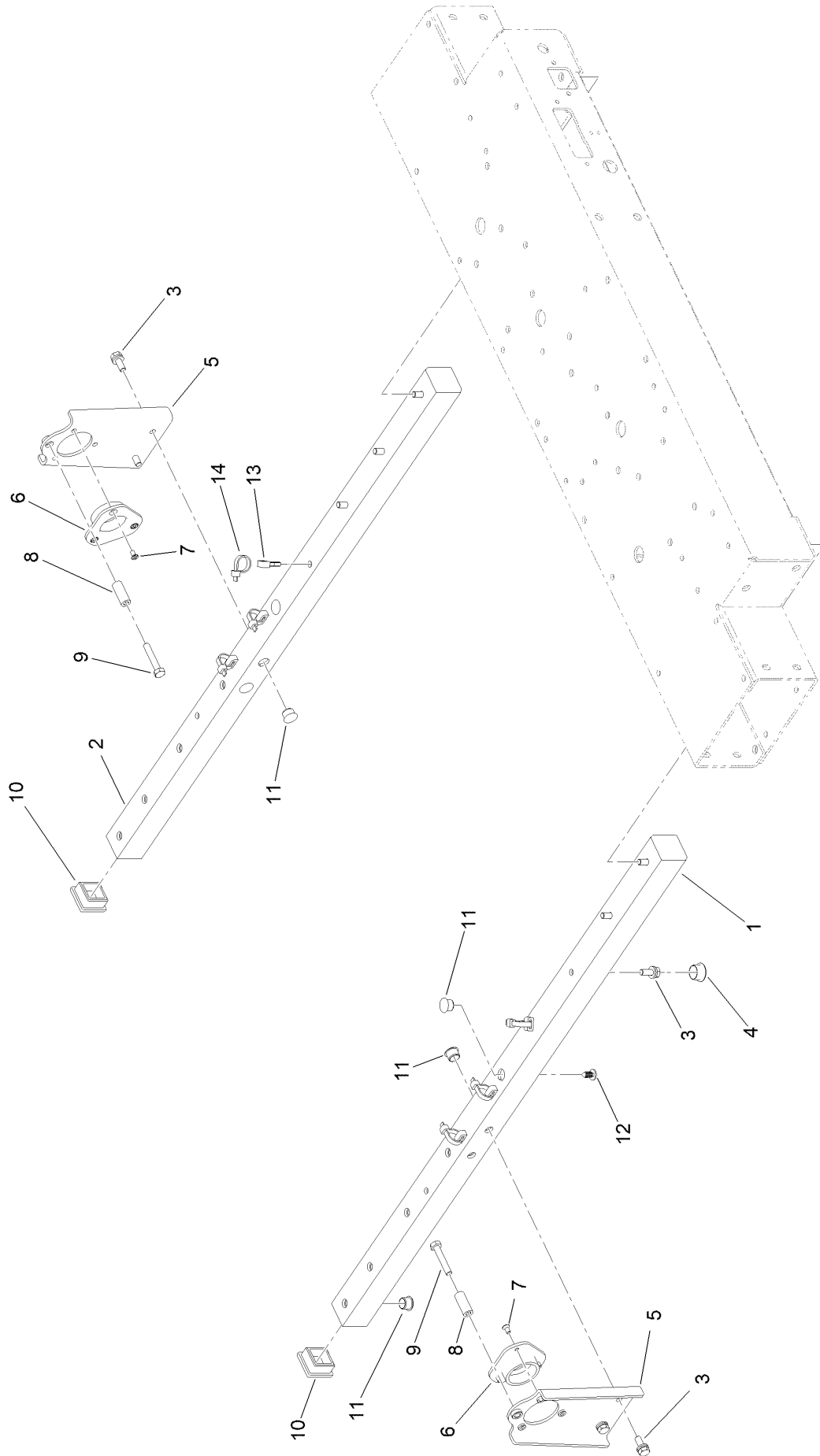
Electrical and Battery Box Assembly



Electrical and Battery Box Assembly (continued)

<i>Ref.</i>	<i>Part Number</i>	<i>Qty.</i>	<i>Description</i>	<i>Ref.</i>	<i>Part Number</i>	<i>Qty.</i>	<i>Description</i>
1	163-5440	1	Electrical Box ASM	12	163-5416	13	Nut-Hex, NI
2	163-5441	1	Decal-On-Off, Vertical	13	163-5452	2	Pad-Rubber, Battery
3	163-5457	1	Seal-Foam, Door	14	164-0085	1	Battery
4	163-5456	1	Plate-Door, Electrical Box	15	163-5460	1	Bracket-Retainer, Battery
5	163-5459	1	Guard-Rear	16	163-5461	1	Pad-Rubber, Battery
6	163-5448	18	Screw-HWH, Sems	17	163-5453	1	Guard-Rubber
7	163-5449	1	RH Battery Mount ASM	18	163-5454	1	Plate-Guard, Rubber
8	163-5450	1	LH Battery Mount ASM	19	163-5418	1	Nut-Cable, Gland
9	163-5408	4	Screw-HWH, Sems	20	163-5443	1	Cable-Battery
10	163-5451	1	Crossbar-Mount, Battery	21	163-5447	2	Clip-Cable
11	163-5417	13	Washer-Flat				

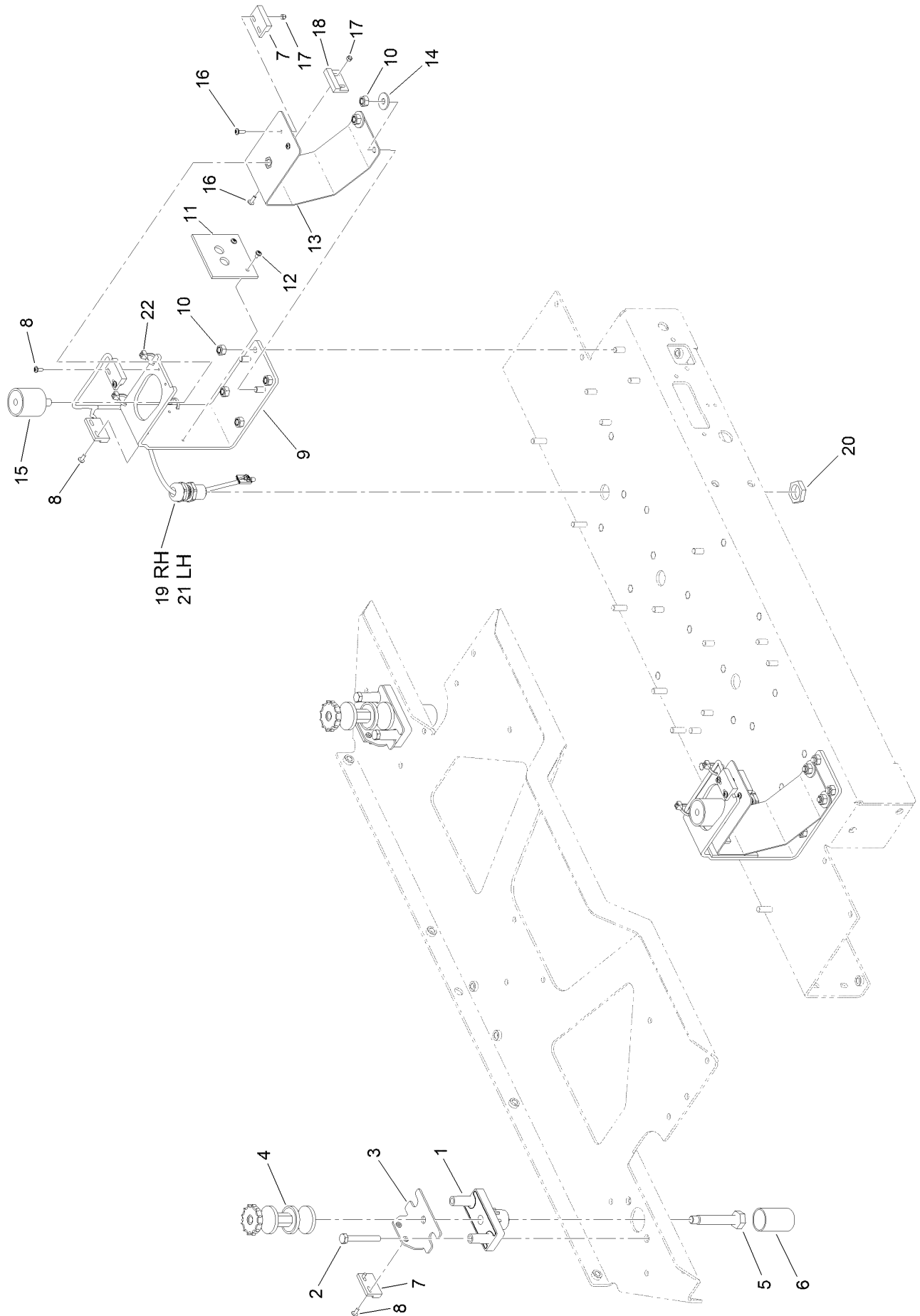
Frame Support Assembly



Frame Support Assembly (continued)

<i>Ref.</i>	<i>Part Number</i>	<i>Qty.</i>	<i>Description</i>	<i>Ref.</i>	<i>Part Number</i>	<i>Qty.</i>	<i>Description</i>
1	163-5463	1	LH Frame Tube ASM	8	163-5470	2	Spacer-Threaded
2	163-5464	1	RH Frame Tube ASM	9	163-5482	2	Screw-HH
3	163-5408	10	Screw-HWH, Sems	10	163-5465	4	Plug-Cap, Square
4	163-5377	6	Plug-Cap, Round	11	163-5466	14	Plug-Cap, Round
5	163-5467	2	Bracket-Mount, Tube	12	163-5401	2	Rivet-Push
6	163-5468	2	Bearing-Tube, Molded	13	163-5384	6	Mount-Cable Tie
7	163-5469	6	Screw-Pcs	14	3290-378	6	Tie-Cable

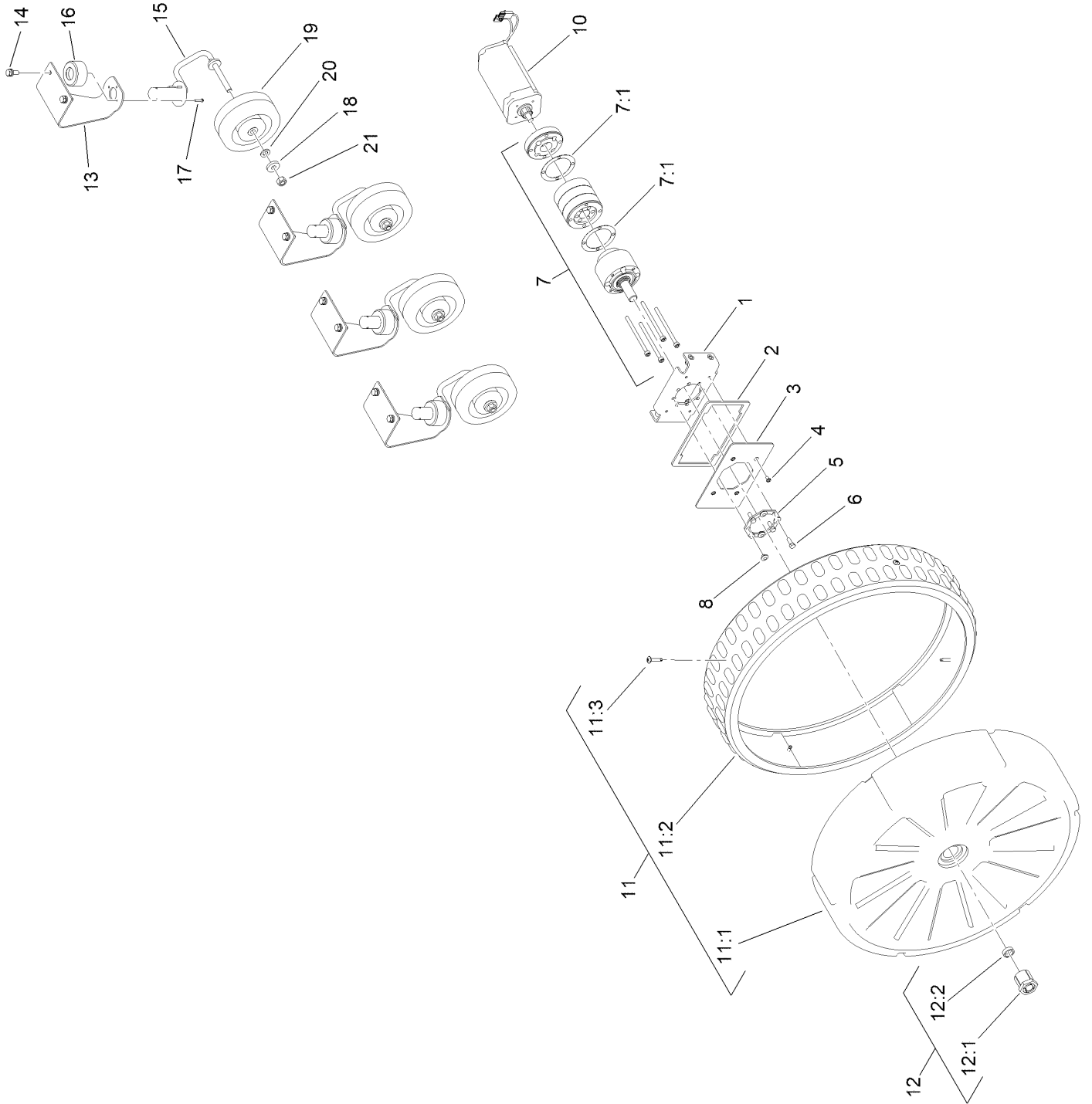
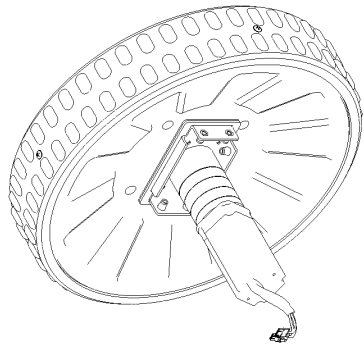
Lift Sensors Assembly



Lift Sensors Assembly (continued)

<i>Ref.</i>	<i>Part Number</i>	<i>Qty.</i>	<i>Description</i>	<i>Ref.</i>	<i>Part Number</i>	<i>Qty.</i>	<i>Description</i>
1	163-5473	2	Slide-Sensor, Lift	12	163-5487	4	Screw-Hsbhf
2	163-5478	4	Screw-HH	13	163-5483	2	Sensor Spring ASM
3	163-5474	2	Bracket-Lift Sensor	14	163-5485	4	Washer-Flat
4	163-5479	2	Front Cushion ASM	15	163-5489	2	Isolator
5	163-5476	2	Screw-Shoulder	16	163-5413	8	Screw-Hsbhf
6	163-5477	2	Cap-Sensor, Lift	17	163-5484	8	Nut-Hex, NI
7	163-5475	4	Magnet	18	163-5392	2	Magnet-Bonnet
8	163-5421	12	Screw-Hsbhf	19	163-5471	1	Cable-Sensor, Rear, RH
9	163-5486	2	Sensor Bracket ASM	20	163-5418	2	Nut-Cable, Gland
10	163-5416	12	Nut-Hex, NI	21	163-5472	1	Cable-Sensor, Rear, LH
11	163-5488	2	Pad-Sensor, Rubber	22	1-303287	6	Tie-Cable

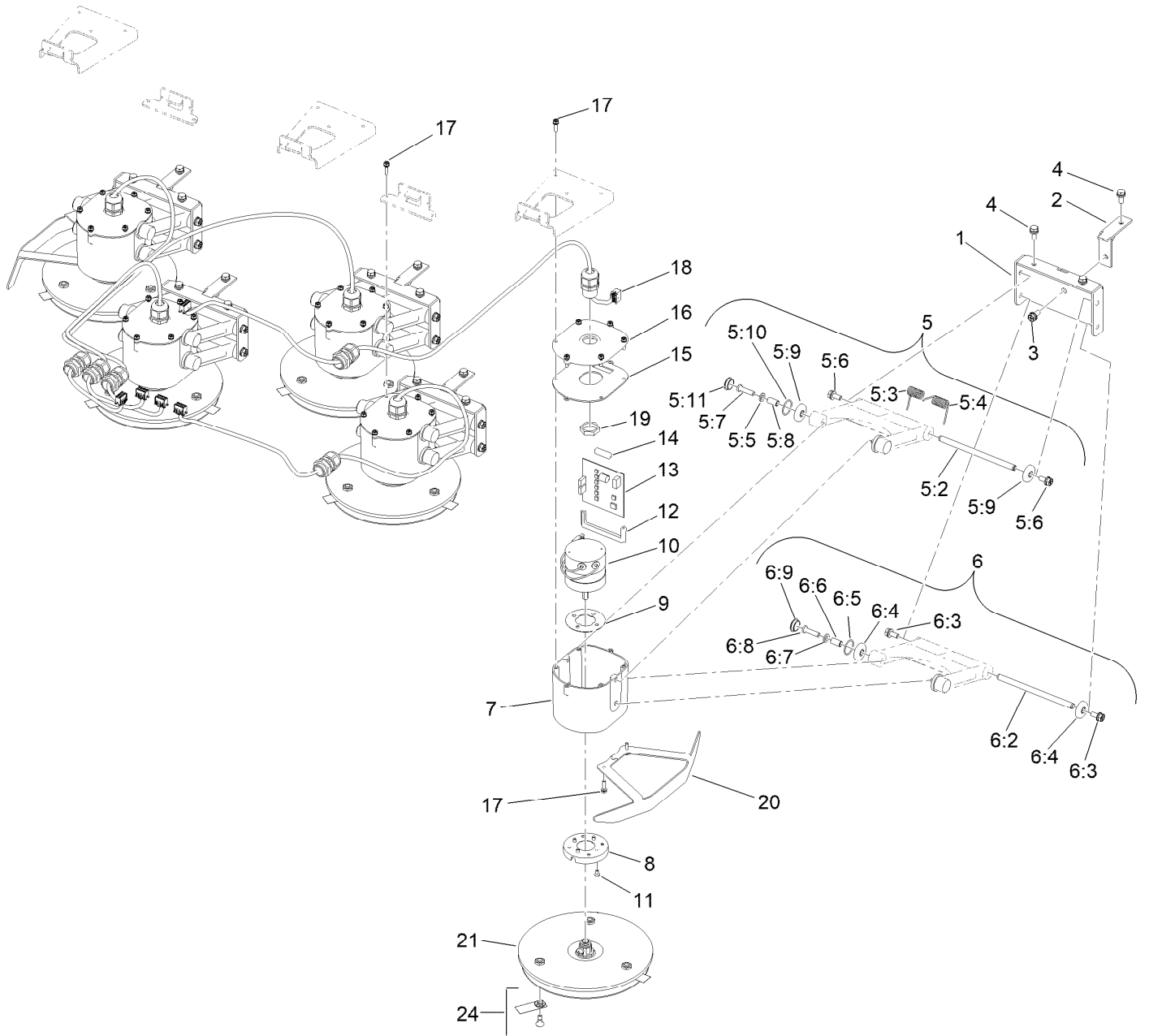
Wheels and Drive Motor Assembly



Wheels and Drive Motor Assembly (continued)

<i>Ref.</i>	<i>Part Number</i>	<i>Qty.</i>	<i>Description</i>	<i>Ref.</i>	<i>Part Number</i>	<i>Qty.</i>	<i>Description</i>
1	163-5504	2	Gearmotor Mount ASM	12	163-5495	2	Rear Wheel Retainer Kit
2	163-5508	2	Gasket-Plate, Gearmotor	12:1	163-5493	1	Wheel Retainer ASM
3	163-5506	2	Plate-Seal, Gearmotor	12:2	163-5494	1	Spacer
4	163-5469	8	Screw-Pcs	13	163-5498	4	Bracket-Mount, Wheel, Front
5	163-5507	2	Washer-Mount, Gearmotor	14	163-5408	8	Screw-HWH, Sems
6	163-5505	8	Screw-HH	15	163-5497	4	Front Wheel Hub ASM
7	163-5681	2	Gearbox	16	163-5499	4	Support-Hub, Wheel, Front
7:1	164-2981	2	Gasket-Gearbox	17	163-5500	16	Screw-Pzph
8	163-5509	8	Plug-Cap, Round	18	HDW19425	8	Washer, M8, 21MM OD, 4MM Th, ST/ST
10	163-5683	2	Motor-Wheel, Slope	19	163-5501	4	Wheel-Front
11	163-5560	2	Rear Wheel ASM	20	163-5502	4	Washer-Flat
11:1	163-5490	1	Rear Wheel Hub ASM	21	163-5503	4	Nut-Hex, NI
11:2	163-5491	1	Tire-Rear				
11:3	163-5492	4	Screw-Pbhf				

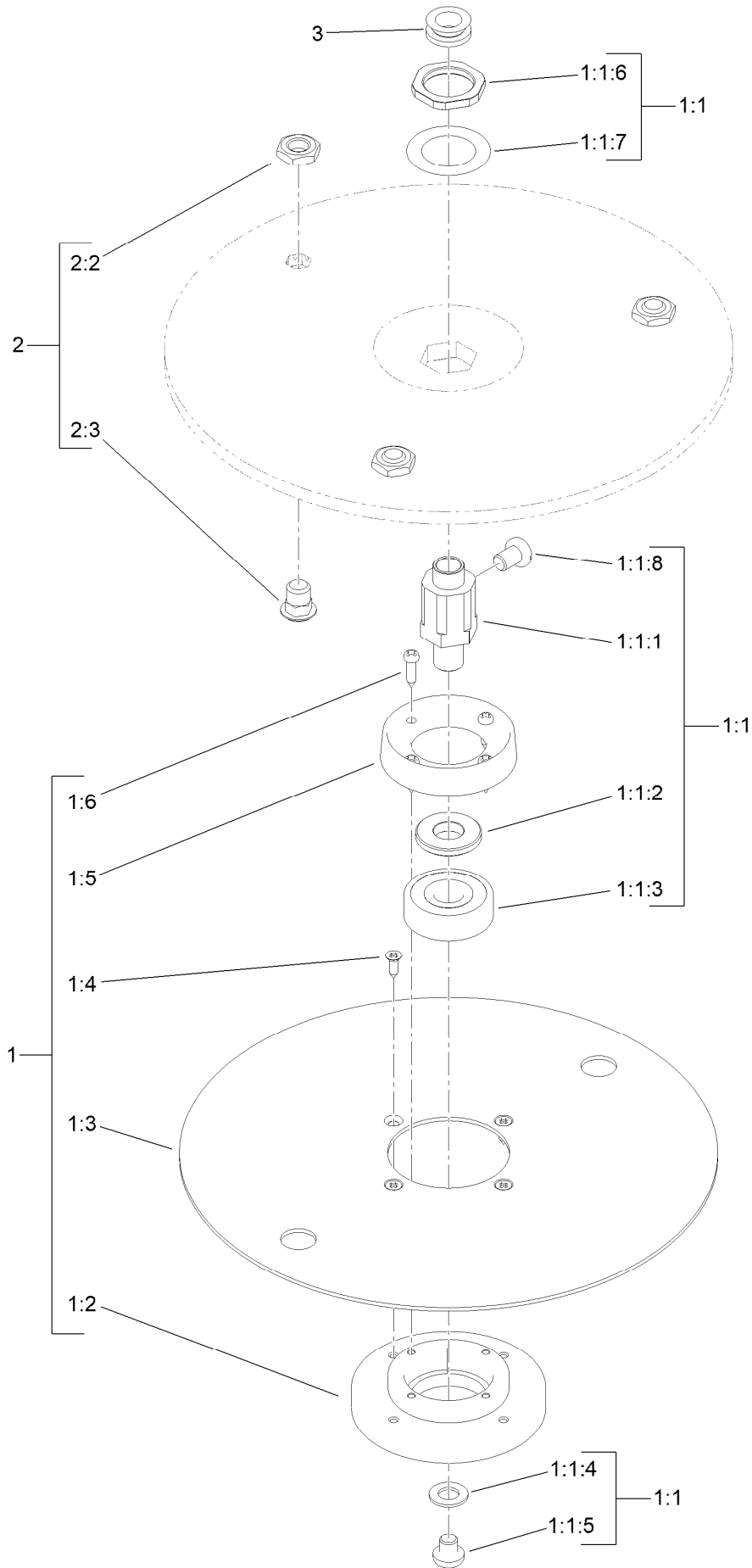
Cutting Heads Assembly



Cutting Heads Assembly (continued)

<i>Ref.</i>	<i>Part Number</i>	<i>Qty.</i>	<i>Description</i>	<i>Ref.</i>	<i>Part Number</i>	<i>Qty.</i>	<i>Description</i>
1	163-5510	5	Bracket-Mount, Cutting Head	6:6	163-5519	2	Shaft-Short, Control Arm
2	163-5511	5	Gusset-Mount, Cutting Head	6:7	163-5417	2	Washer-Flat
3	163-5512	5	Screw-Hph, Sems	6:8	163-5518	2	Screw-Hsph
4	163-5408	15	Screw-HWH, Sems	6:9	163-5521	2	Plug-Cap, Round
5	163-5814	5	Stay Kit, Upper	7	163-5522	5	Case-Motor, Cutting Head
5:2	163-5514	1	Shaft-Long, Control Arm	8	163-5524	5	Guard-Motor, Cutting Head
5:3	163-5515	1	Spring-Torsion, LH	9	163-5589	5	Gasket-Motor, Cutting Head
5:4	163-5516	1	Spring-Torsion, RH	10	163-5590	5	Motor-Cutting Head
5:5	163-5417	3	Washer-Flat	11	163-5469	20	Screw-Pcs
5:6	163-5512	2	Screw-Hph, Sems	12	163-5621	5	Cushion-Lower, Drive Card
5:7	163-5518	2	Screw-Hsph	13	163-5640	5	Card-Drive, Cutting Head
5:8	163-5519	2	Shaft-Short, Control Arm	14	163-5622	5	Cushion-Upper, Drive Card
5:9	163-5517	3	Cap-Sensor, Lift	15	163-5582	5	Gasket-Cover, Cutting Head
5:10	163-5520	2	O-Ring	16	163-5526	5	Cover-Cutting Head
5:11	163-5521	2	Plug-Cap, Round	17	163-5424	34	Screw-Hph, Sems
6	163-5815	5	Stay Kit, Lower	18	163-5649	5	Cable-Motor, Cutting Head
6:2	163-5514	1	Shaft-Long, Control Arm	19	163-5543	10	Nut-Plastic, Gland
6:3	163-5512	2	Screw-Hph, Sems	20	163-5546	2	Guard-Safety, Disc
6:4	163-5517	3	Cap-Sensor, Lift	21	163-5579	5	Cutting Disc Kit No Blades
6:5	163-5520	2	O-Ring	24	163-5574	1	15 Pack Blades
				24	163-5575	1	50 Pack Blades
				24	163-5576	1	500 Pack Blades

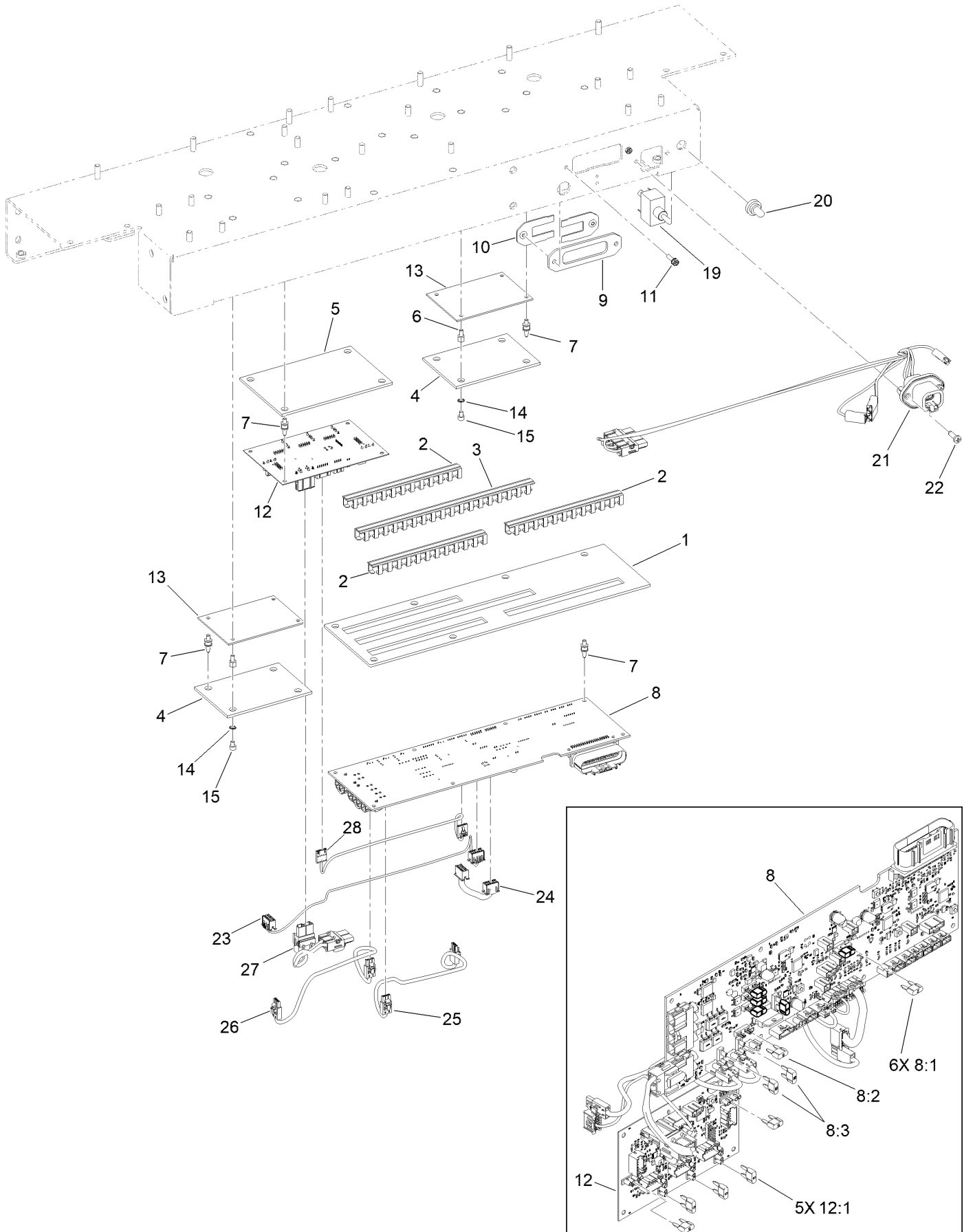
Cutting Disc Assembly No. 163-5579



Cutting Disc Assembly No. 163-5579 (continued)

<i>Ref.</i>	<i>Part Number</i>	<i>Qty.</i>	<i>Description</i>	<i>Ref.</i>	<i>Part Number</i>	<i>Qty.</i>	<i>Description</i>
1	163-5816	1	Disc Kit, Free	1:2	163-5527	1	Cap-Cutting Head
1:1	163-5568	1	Shaft And Bearing Kit	1:3	163-5528	1	Disc-Anti Friction
1:1:1	163-5530	1	Shaft-Cutter	1:4	163-5529	4	Screw-Pzcs
1:1:2	163-5531	1	Spacer-Stepped, Shaft	1:5	163-5538	1	Cap-Hub
1:1:3	164-0092	1	Bearing-Ball	1:6	163-5539	4	Screw-Pbh
1:1:4	163-3854	1	Washer-Flat	2	163-5569	1	Kit-Disc, Blade
1:1:5	163-5534	1	Screw-HSBH	2:2	163-5541	3	Nut-Hex, Thin
1:1:6	163-5535	1	Nut-Hex	2:3	163-5542	3	Stud-Cutting Head
1:1:7	163-5536	1	Washer-Shim	3	163-5580	1	Seal-V-Ring
1:1:8	163-5537	1	Screw-Pbh				

Electrical Parts Assembly



Electrical Parts Assembly (continued)

<i>Ref.</i>	<i>Part Number</i>	<i>Qty.</i>	<i>Description</i>	<i>Ref.</i>	<i>Part Number</i>	<i>Qty.</i>	<i>Description</i>
1	163-5643	1	Foam-Anti-Condensing, Peripheral	11	163-5424	2	Screw-Hph, Sems
2	163-5641	3	Duct-Cable, 15CM	12	163-5660	1	Cutting Control Board ASM
3	163-5642	1	Duct-Cable, 23CM	12:1	121-8864	5	Fuse-Mini Blade, 5 Amp
4	163-5644	2	Foam-Anti-Condensing, Motor	13	163-5652	2	Card-Drive, Traction
5	163-5645	1	Foam-Anti-Condensing, Cutting	14	163-5552	4	Washer-Tooth, EXT
6	163-5545	4	Spacer-Hex, Pcb	15	163-5551	4	Screw-HSH
7	163-5544	14	Support-Pcb	19	163-5547	1	Switch-Toggle
8	163-5650	1	Peripheral Board ASM	20	163-5548	1	Cap-Switch, Rubber
8:1	121-8861	6	Fuse-Mini Blade, 2 Amp	21	163-5658	1	Cable-Power Supply
8:2	121-8864	1	Fuse-Mini Blade, 5 Amp	22	163-5442	2	Screw-Pz, Plastic
8:3	121-8867	2	Fuse-Mini Blade, 15 Amp	23	163-5653	1	Cable-Motor, Signal, LH
9	163-5550	1	Seal-Connector	24	163-5656	1	Cable-Motor, Signal, RH
10	163-5549	2	Pcb Retainer ASM	25	163-5655	1	Cable-Power, RH
				26	163-5654	1	Cable-Power, LH
				27	163-5657	1	Cable-Power, Cutting Board
				28	163-5659	1	Cable-Signal, Cutting Pcb

Attachments and Accessories

For 30922ANZ — Turf Pro 500S Robotic Mower

Product Name	Model/Part
Kit-Low Height Cut Disc	163-3850
Kit-Ball Deflector Flaps	163-3855
Cable-Diagnostic	163-3870
Charger-Mobile	163-3871
Cable-Battery/Wake-up	163-3872
Stops-Calibration	163-3873
Protector-Range, Cutting Disc	163-3923
Wire-Spool-1000 FT	163-3926
Wire-Spool-250 FT	163-3927
Kit- 1 Golf Disk, Upper Protection	163-3934
Kit- 5 Golf Disks, Upper Protection.....	163-3935
15 Pack Blades.....	163-5574
50 Pack Blades.....	163-5575
500 Pack Blades.....	163-5576
Cutting Disc Kit No Blades	163-5579
4G RTK Base ANZ.....	30912ANZ
Charge Station, Loop Only EU.....	30913EU
Charge Station, Two Loop EU	30914EU
WIFI RTK Base WW	30915

Notes:



Count on it.