



Count on it.

Parts Catalog

**One Zone with Station Loop
Charge Station**

**Turf Pro™ Series Robotic Mower or Range
Pro™ Series Ball Picker**

Model No. 30914JP—Serial No. 325000000 and Up



Ordering Replacement Parts

To order replacement parts, please supply the part number, the quantity, and the description of each part desired.

Understanding Reference Numbers

Each identified part in an illustration has a reference number. The reference number for a part also appears in the parts list, along with other information about the part.

This catalog uses two special reference number formats, one to indicate parts in a service assembly and another to indicate the quantity of a given part in an illustration.

Service Assembly Reference Numbers

Parts in service assemblies have reference numbers in the form a:b. The a represents the reference number of the entire service assembly and the b represents a sequential number unique to each part within the service assembly.

For example, a wheel assembly might be identified by reference number 6, the tire by 6:1, the valve by 6:2, and the wheel by 6:3. When you order the assembly identified by reference number 6, you receive all parts identified by reference numbers 6:1, 6:2, and 6:3. However, you may also order any part individually. Reference numbers of this type appear in illustration and in parts lists.

Reference Numbers Indicating Quantity

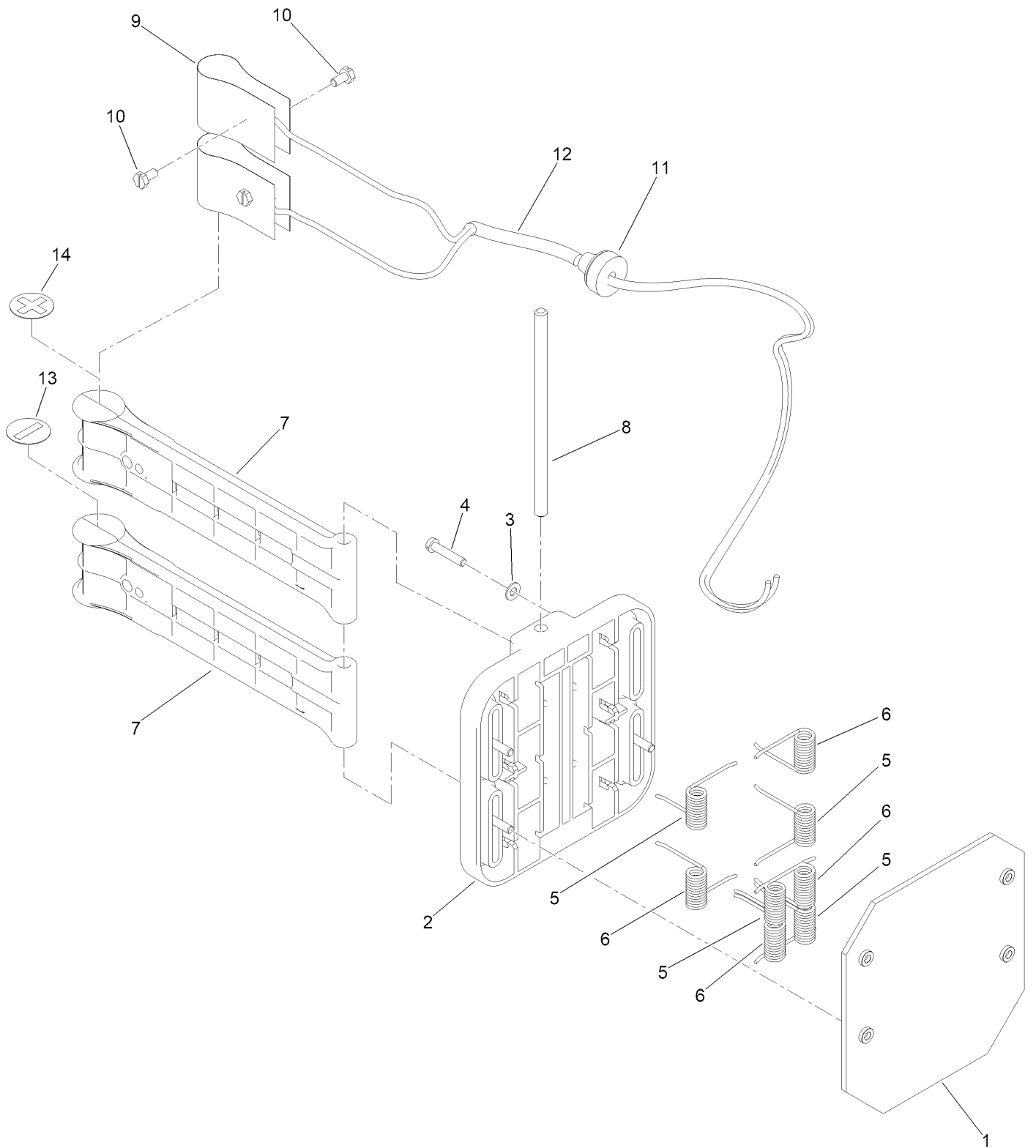
In an illustration, if a reference number indicates more than one part, the reference number has the form nX y. The n represents the quantity of the part, the X is the multiplication symbol, and the y represents the reference number.

For example, in an illustration, the reference number 2X 37 means that two of the parts identified by reference number 37 are indicated.

Contents

Charge Arm Assembly 4
Body Assembly 6
Electrical Assembly 8
Attachments and Accessories 10

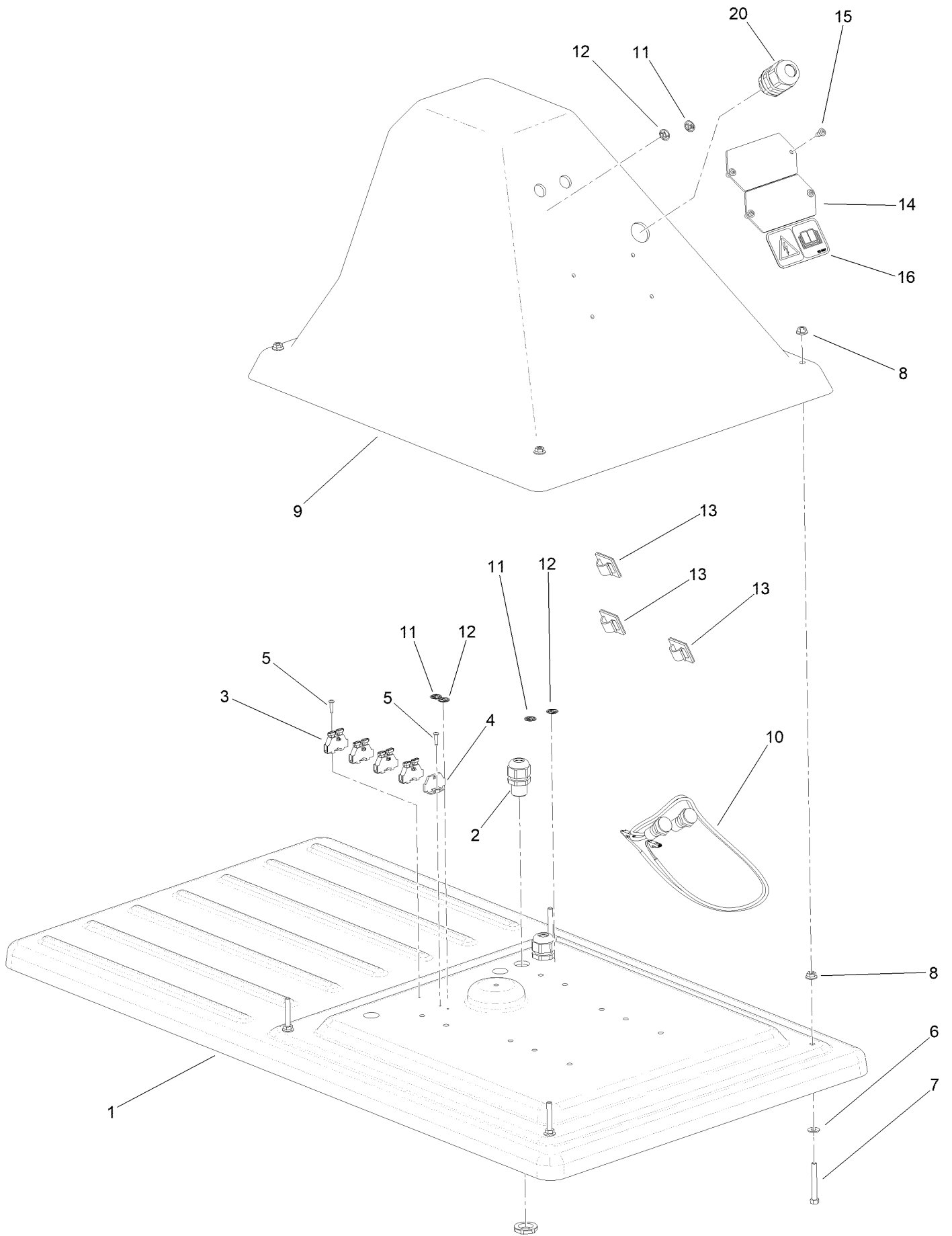
Charge Arm Assembly



Charge Arm Assembly (continued)

<i>Ref.</i>	<i>Part Number</i>	<i>Qty.</i>	<i>Description</i>	<i>Ref.</i>	<i>Part Number</i>	<i>Qty.</i>	<i>Description</i>
1	163-5830	1	Plate-Mount, Arm	9	163-5837	1	Charge Cable Contacts ASM
2	163-5833	1	Support-Arm, Charger	10	163-5754	4	Screw-HH, Slotted
3	163-5433	4	Washer-Flat	11	163-5838	1	Grommet
4	163-5834	4	Screw-Slotted	12	163-5855	1	Sleeve-Coiled, 150MM
5	163-5831	4	Spring-Torsion, LH	13	164-2966	1	Decal-Positive, Charger
6	163-5832	4	Spring-Torsion, RH	14	164-2967	1	Decal-Negative, Charger
7	163-5835	2	Arm-Charger				
8	163-5836	1	Rod-Pivot, Arm				

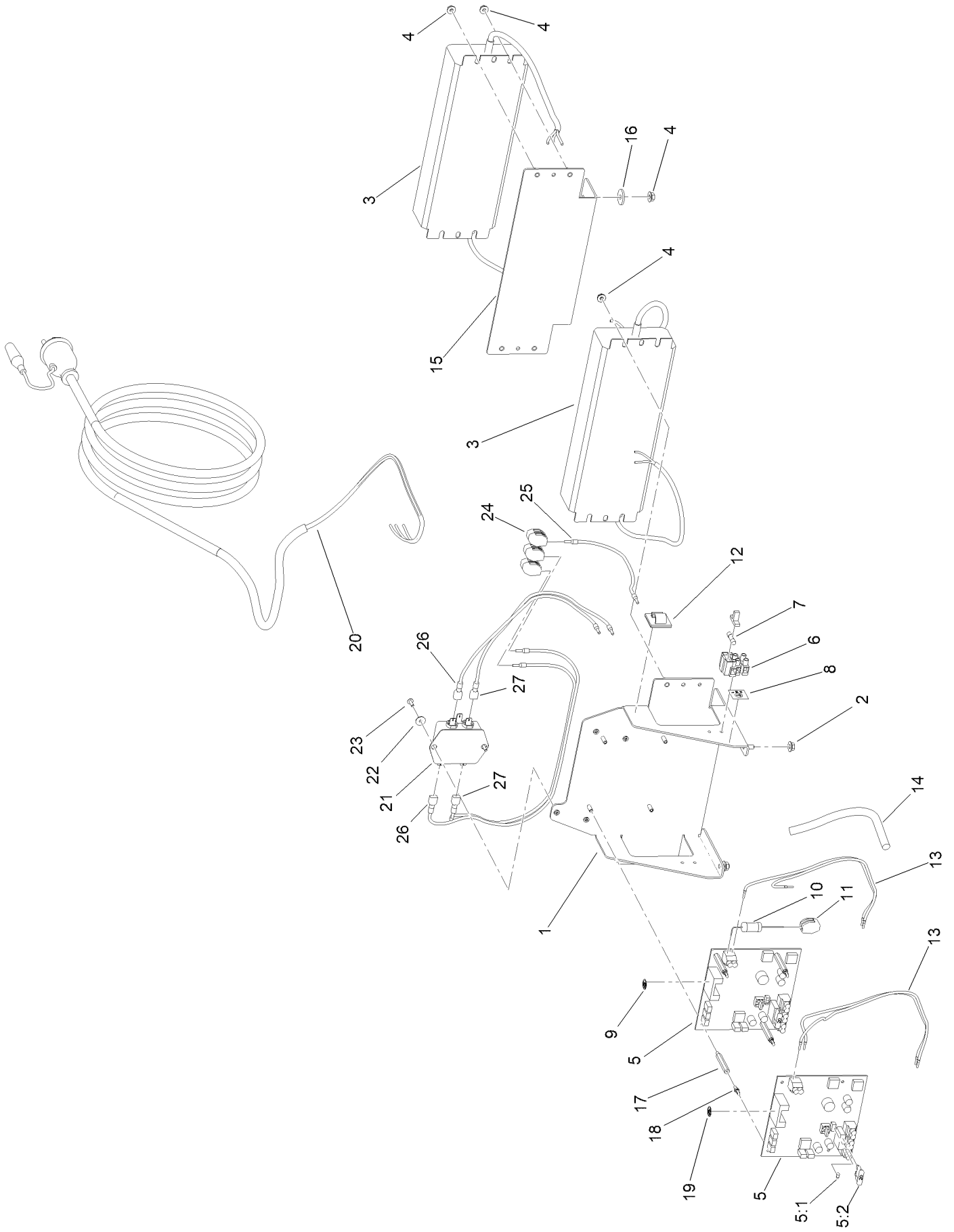
Body Assembly



Body Assembly (continued)

<i>Ref.</i>	<i>Part Number</i>	<i>Qty.</i>	<i>Description</i>	<i>Ref.</i>	<i>Part Number</i>	<i>Qty.</i>	<i>Description</i>
1	163-3797	1	Plate-Base, Charger	10	163-5851	1	Light-Indicator, LED
2	163-5876	2	Gland-Cable	11	163-5847	3	Decal-Identification, Zone A
3	163-5760	4	Block-Terminal	12	163-5849	3	Decal-Identification, Zone L
4	163-5759	1	Lid-Block, Terminal	13	163-5850	3	Clip-Cable
5	163-5523	2	Screw-Pz, Plastic	14	163-5858	2	Plate-Serial
6	163-5824	4	Washer-Flat	15	163-5859	4	Rivet-Pop
7	163-5823	4	Screw-HH	16	163-3997	1	Decal - Voltage, High
8	163-5825	8	Nut-Hex, Serrated	20	163-5822	1	Gland-Cable
9	163-3793	1	Cover-Charger				

Electrical Assembly



Electrical Assembly (continued)

<i>Ref.</i>	<i>Part Number</i>	<i>Qty.</i>	<i>Description</i>	<i>Ref.</i>	<i>Part Number</i>	<i>Qty.</i>	<i>Description</i>
1	163-5826	1	Frame-Station, Charge	14	163-5856	1	Sleeve-Coiled, 200MM
2	163-5825	6	Nut-Hex, Serrated	15	163-3799	1	Bracket-Mount, Power Supply
3	163-3798	2	Power Supply	16	163-5687	2	Washer-Flat
4	163-5828	6	Nut-Hex, Serrated	17	163-5839	4	Spacer-Hex, Threaded
5	163-5840	2	Pcb-Signal, Charger	18	163-5842	4	Clip-Mount, Pcb
5:1	163-5841	1	Fuse-1A	19	163-5847	1	Decal-Identification, Zone A
5:2	109101	1	Fuse-Blade, 20 Amp	20	163-3896	1	Cable-Power
6	163-5843	1	Terminal-3 Ways	21	164-2960	1	Filter-Emc, Charge Station
7	163-5844	1	Fuse-5A, Glass	22	164-2961	2	Washer-Flat
8	163-5845	1	Decal-Connection, Terminal	23	163-5413	2	Screw-Hsbhf
9	163-5849	1	Decal-Identification, Zone L	24	164-2962	3	Connector-3 Way
10	163-5852	1	Resistor-Hi-Current	25	164-2963	1	Cable-Green (400MM)
11	163-5853	1	Connector-2 Way	26	164-2964	1	Cable-Black (400MM)
12	163-5850	1	Clip-Cable	27	164-2965	1	Cable-White (400MM)
13	163-5854	2	Cable				

Attachments and Accessories

For 30914JP — One Zone with Station Loop Charge Station Turf Pro Series Robotic Mower or Range Pro Series Ball Picker

Product Name	Model/Part
Kit-Timer Relay	163-3920
Kit-Inductor	163-3921
Kit-Busy Loop Multiple	163-3924
Kit-Surge Protector	163-3925
Wire-Spool-1000 FT	163-3926
Wire-Spool-250 FT	163-3927

Notes:



Count on it.