



**Count on it.**

**Parts Catalog**

**Greensmaster® e1021**

**Greensmower**

Model No. 04835—Serial No. 420300000 and Up



# Ordering Replacement Parts

To order replacement parts, please supply the part number, the quantity, and the description of each part desired.

## Understanding Reference Numbers

Each identified part in an illustration has a reference number. The reference number for a part also appears in the parts list, along with other information about the part.

This catalog uses two special reference number formats, one to indicate parts in a service assembly and another to indicate the quantity of a given part in an illustration.

## Service Assembly Reference Numbers

Parts in service assemblies have reference numbers in the form a:b. The a represents the reference number of the entire service assembly and the b represents a sequential number unique to each part within the service assembly.

For example, a wheel assembly might be identified by reference number 6, the tire by 6:1, the valve by 6:2, and the wheel by 6:3. When you order the assembly identified by reference number 6, you receive all parts identified by reference numbers 6:1, 6:2, and 6:3. However, you may also order any part individually. Reference numbers of this type appear in illustration and in parts lists.

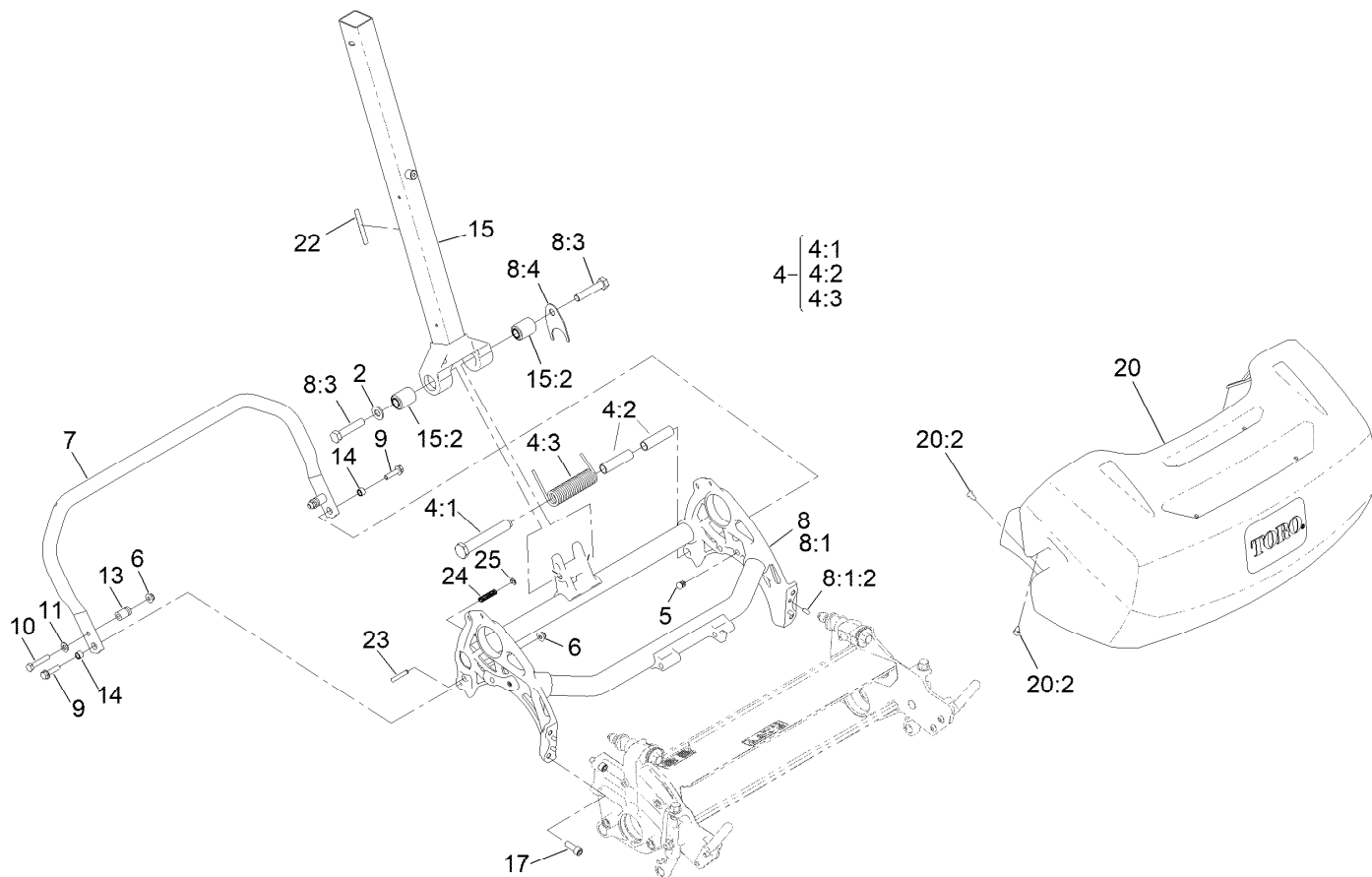
## Reference Numbers Indicating Quantity

In an illustration, if a reference number indicates more than one part, the reference number has the form nX y. The n represents the quantity of the part, the X is the multiplication symbol, and the y represents the reference number.

For example, in an illustration, the reference number 2X 37 means that two of the parts identified by reference number 37 are indicated.

# Contents

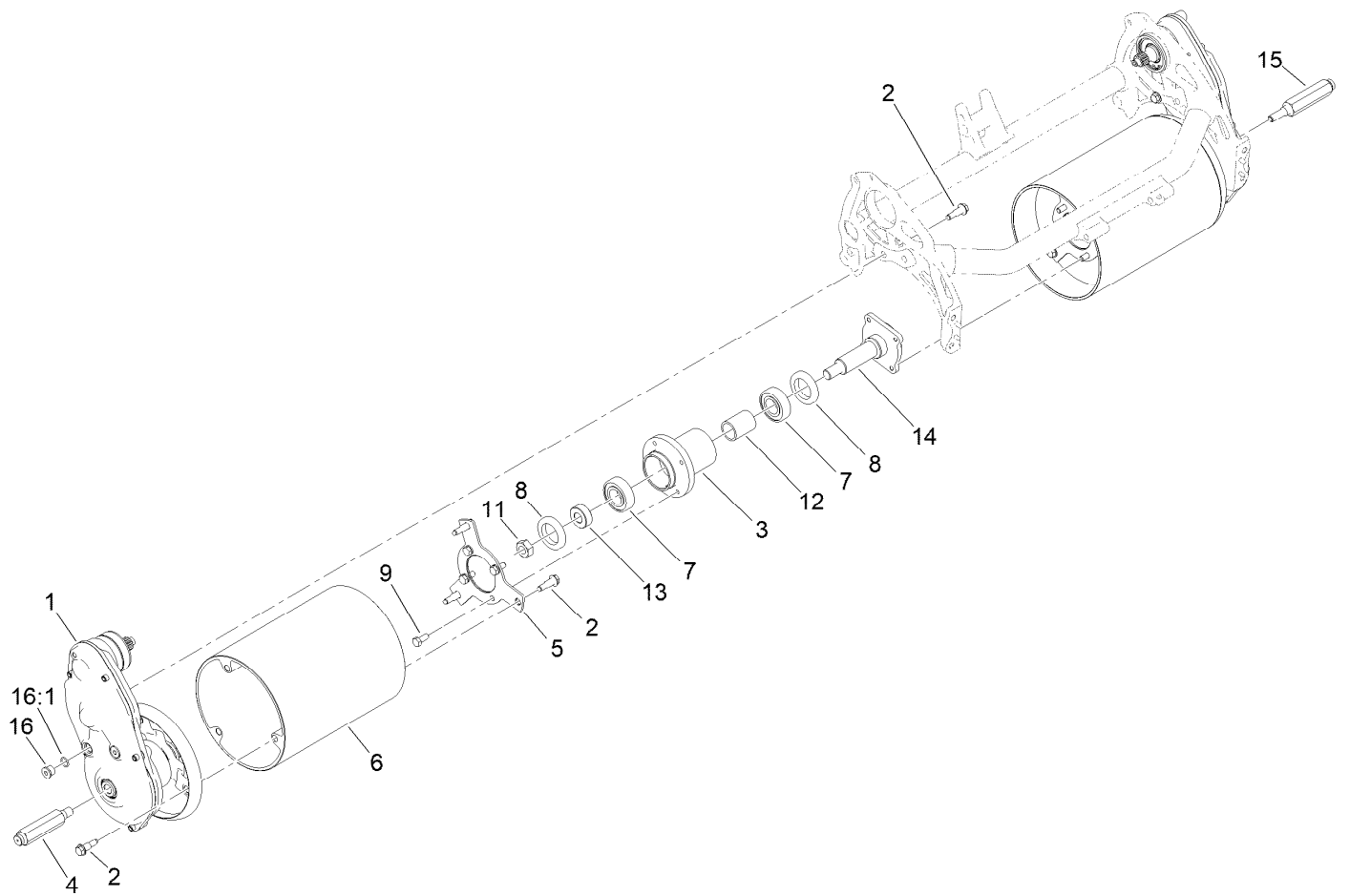
Frame and Handle Mount Assembly .....	4
Drum Drive Assembly .....	5
Drum Drive Replacement Kit Assembly No. 140-9329 .....	6
Drum Drive Gear Box Assembly .....	7
Drive Shaft and Reel Components Assembly .....	8
Transmission Assembly .....	9
Transmission Assembly No. 140-9327 Transmission Case Assembly .....	10
Transmission Assembly No. 140-9327 Reel Drive Assembly .....	11
Transmission Assembly No. 140-9327 Traction Drive Assembly .....	12
Differential Assembly No. 132-4555 .....	13
Direct Drive Motor Assembly .....	14
Reel Controls and Covers Assembly .....	15
Upper Handle Assembly .....	16
Traction Bail Assembly .....	17
Electric Handle Components Assembly .....	18
Battery Frame Assembly .....	19
Miscellaneous Parts Assembly .....	20
Attachments and Accessories .....	21



## Frame and Handle Mount Assembly

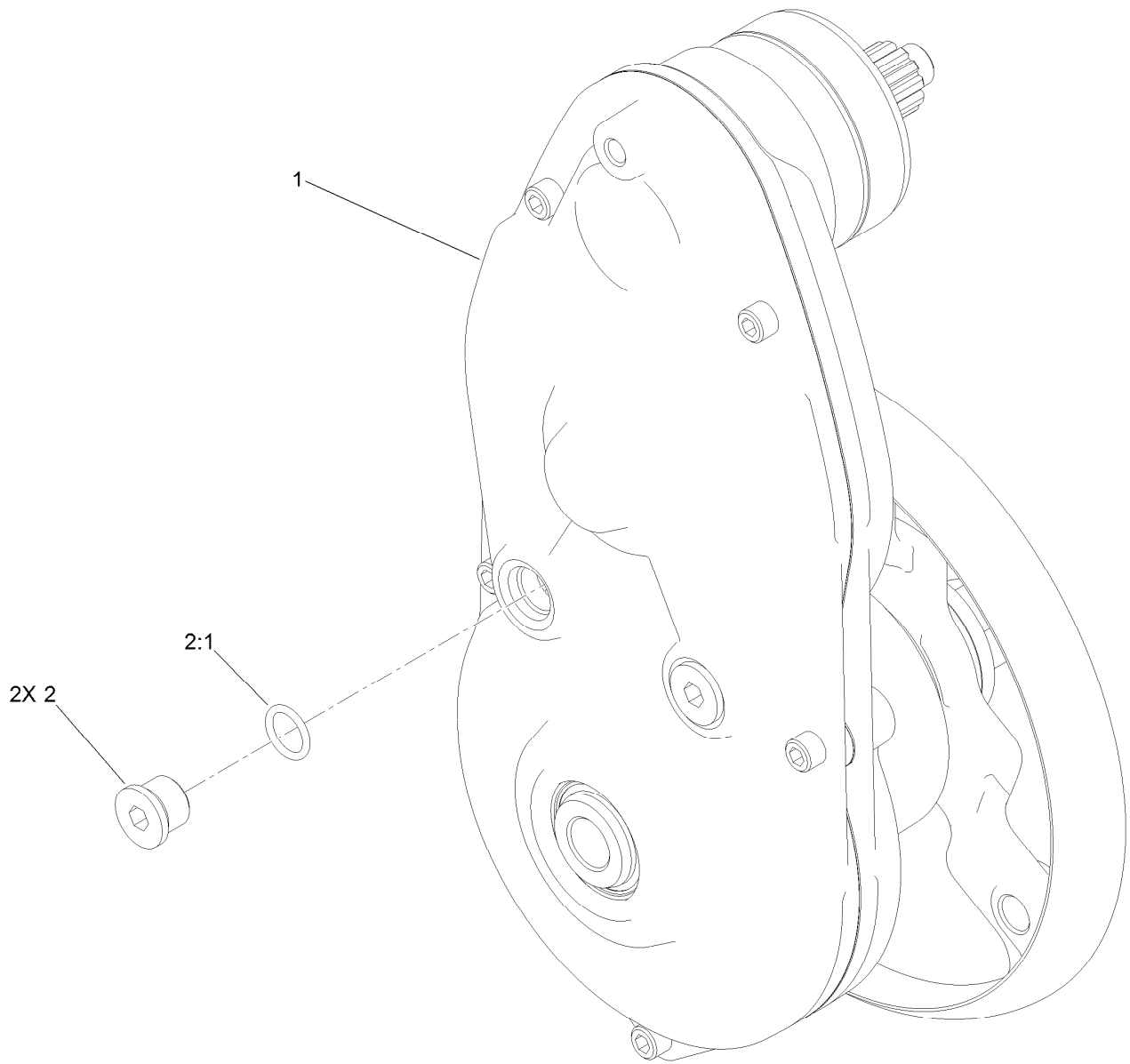
Ref.	Part Number	Qty.	Description	Ref.	Part Number	Qty.	Description
2	139-2611	1	Washer-Flat	9	112-6913	2	Screw-HF
4	147-2290	1	Kit-Kickstand Spring Replacement	10	322-9	2	Screw-HH
4:1	147-2285	1	Pin-Mount, Spring	11	3256-23	2	Washer-Plain
4:2	147-2286	2	Sleeve, Spring-Mount	13	65-7900	2	Retainer-Spring
4:3	147-2268	1	Spring-Torsion, LH	14	65-7910	2	Spacer
5	139-4326	2	Plug-Plastic	15	137-0292	1	Lower Handle ASM
6	119-4041	3	Nut-HF	15:2	138-1469	2	Bushing-Straight
7	147-2272	1	Kickstand, 21 Inch	17	3274-7	4	Screw-HSH
8	140-9341	1	Frame ASM, 21" Electric	20	140-9293	1	Basket-Grass, GR1021
8:1		1	Frame ASM, Electric 21" ●	20:2	121-4729	4	Plug
8:1:2	95-0715	4	Pin-Dowel	22	133-8061	1	Decal-Warning
8:3	325-10	2	Screw-HH	23	139-7431	1	Pin-Kickstand, Lock
8:4	140-9333	1	Washer, Anti-Rotation	24	73-3450	1	Spring-Compression
				25	32151-86	1	E-Ring

● Not serviced separately



## Drum Drive Assembly

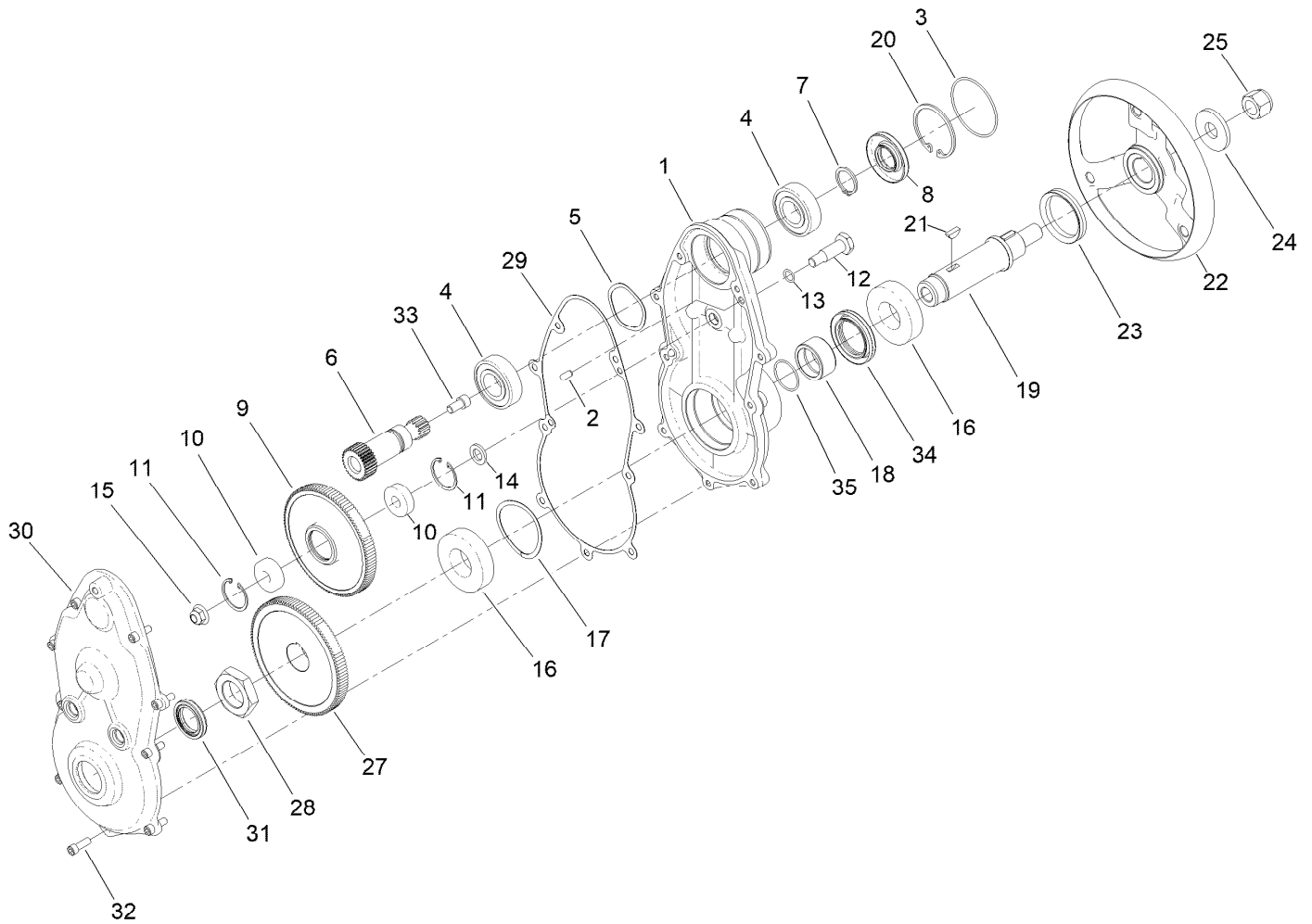
<i>Ref.</i>	<i>Part Number</i>	<i>Qty.</i>	<i>Description</i>	<i>Ref.</i>	<i>Part Number</i>	<i>Qty.</i>	<i>Description</i>
1	147-2345	1	Drum Drive Replacement Kit	9	114-7728	8	Screw-HHF, Patch
2	132-4607	14	Bolt-Shoulder, Flange	11	3296-33	1	Nut-Lock, NI
3	132-6971	1	Hub-Drum	12	65-6520	1	Spacer
4	132-4605	1	Shaft-Hex, RH	13	65-6530	1	Spacer
5	147-2257	2	Plate-Drum, Hub	14	94-5850	1	Spindle-Drum
6	133-9246	2	Drum-Traction, 21 Inch	15	132-4606	1	Shaft-Hex, LH
7	251-82	2	Bearing-Ball	16	353-989	4	Plug-Hex, Hollow
8	253-159	2	Seal	16:1	237-42	1	O-Ring



## Drum Drive Replacement Kit Assembly No. 140-9329

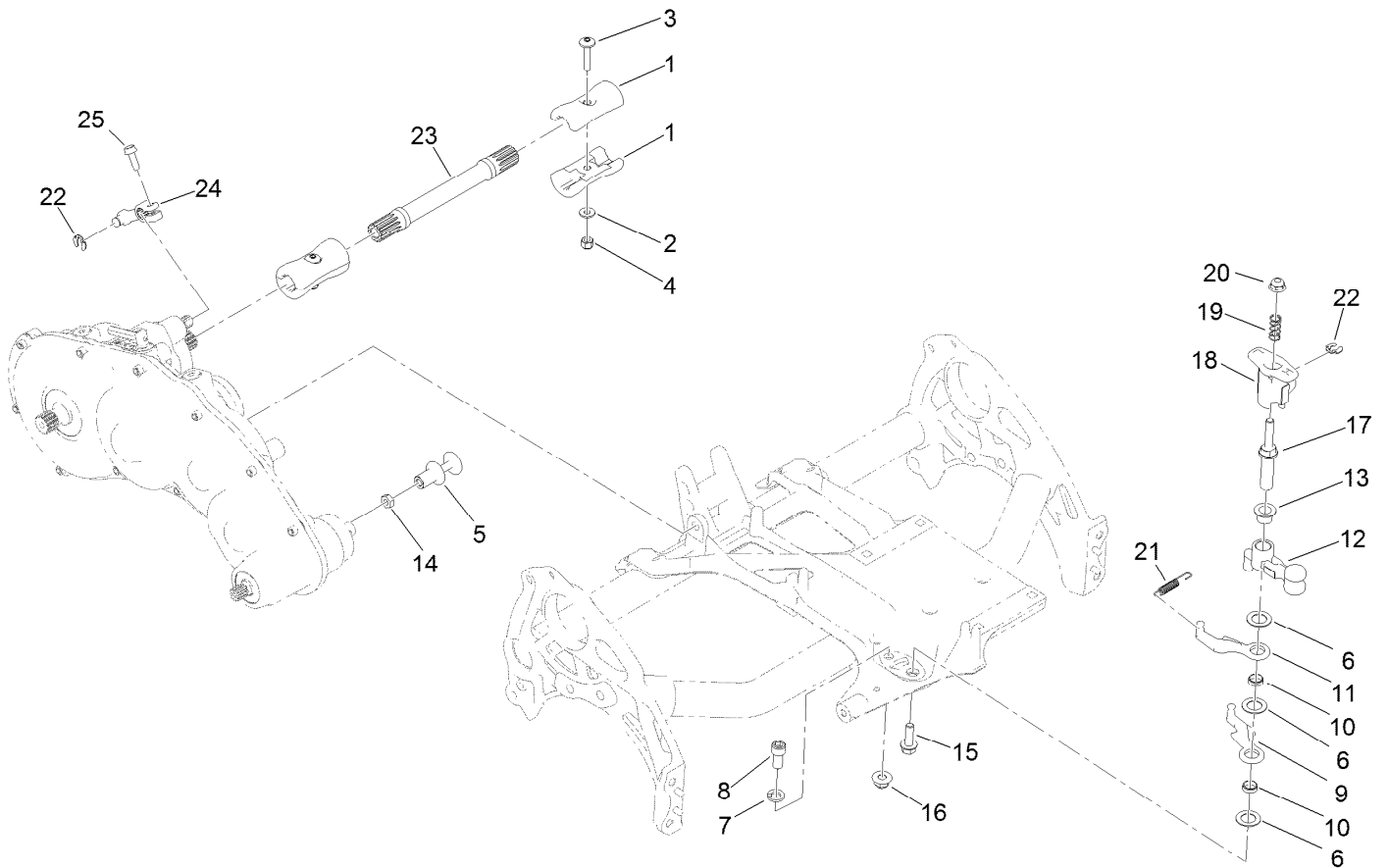
<i>Ref.</i>	<i>Part Number</i>	<i>Qty.</i>	<i>Description</i>
1		1	Drum Drive Gear Box ASM ●
2	353-989	2	Plug-Hex, Hollow
2:1	237-42	1	O-Ring

● Not serviced separately



## Drum Drive Gear Box Assembly

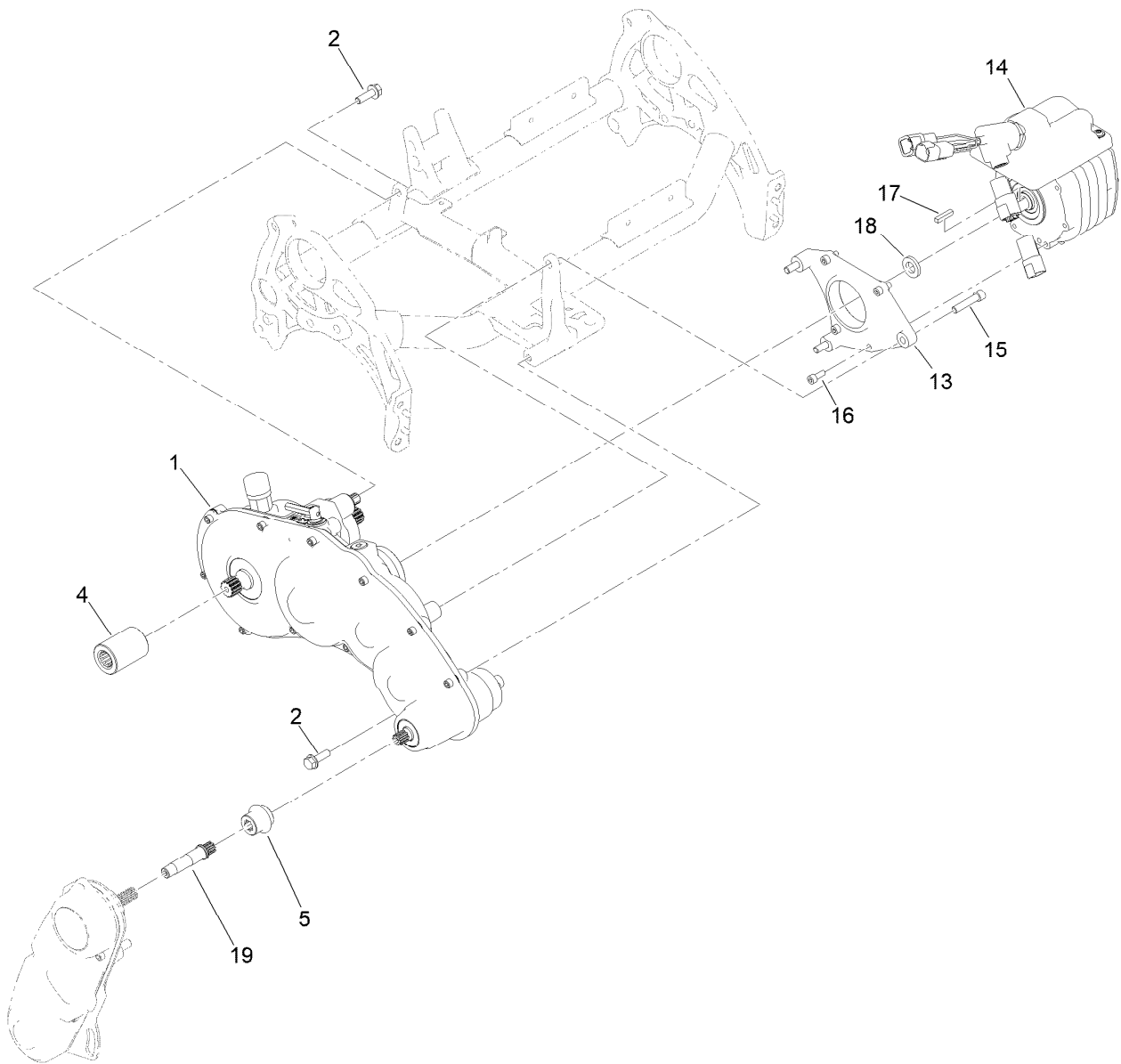
Ref.	Part Number	Qty.	Description	Ref.	Part Number	Qty.	Description
1	147-2321	1	Housing-Drive, Drum	18	147-2348	1	Spacer
2	133-4591	2	Pin-Dowel	19	133-4562	1	Shaft-Drum, Drive
3	133-9082	1	O-Ring	20	138-1480	1	Ring-Retaining, Int (52MM)
4	251-82	2	Bearing-Ball	21	138-1504	2	Key-Woodruff, 5MM
5	3290-485	1	Washer-Wave	22	133-9244	1	Hub-Drum, Outer
6	132-4565	1	Gear-Spur, 30T	23	253-161	1	Seal-V-Ring
7	138-1507	1	Ring-Retaining, EXT (25MM)	24	104-9216	1	Washer-Hardened
8	138-1491	1	Seal-Oil	25	126-3841	1	Nut-Hex, NI
9	137-0274	1	Gear-Spur, 108T	27	147-2349	1	Gear-Spur, 114T
10	49-2410	2	Bearing-Ball	28	133-9078	1	Nut-Hex
11	138-1506	2	Ring-Retaining, Int (32MM)	29	147-2324	1	Gasket-Drum Drive
12	133-4558	1	Pin-Bearing, Short	30	147-2323	1	Cover-Drive, Drum
13	80-8460	1	O-Ring	31	133-4559	1	Seal-Oil
14	133-4553	1	Spacer-Bearing	32	140-9233	9	Screw-HSH, Patch
15	119-4042	1	Nut-HF, NI	33	3274-12	1	Screw-HSH
16	251-312	2	Bearing-Ball	34	147-2346	1	Seal-Oil
17	115-5258	1	Spring-Wire, Flat	35	147-2347	1	O-Ring



## Drive Shaft and Reel Components Assembly

Ref.	Part Number	Qty.	Description
1	133-9100	4	Coupler-Splined, 4 Tooth
2	119-8952	2	Washer-Spcl
3	126-8232	2	Screw-Truss Hex Skt
4	3296-42	2	Nut-Lock, NI
5	133-9207	1	Adapter-Slider
6	139-7362	3	Washer-Poly
7	3253-21	1	Washer-Lock
8	131-8573	1	Screw-HSH
9	138-1523	1	Reel Lever
10	133-9226	2	Bushing-Straight
11	138-1524	1	Lever-Reel
12	133-9206	1	Bellcrank-Reel
13	125-5239	1	Bushing-Flange

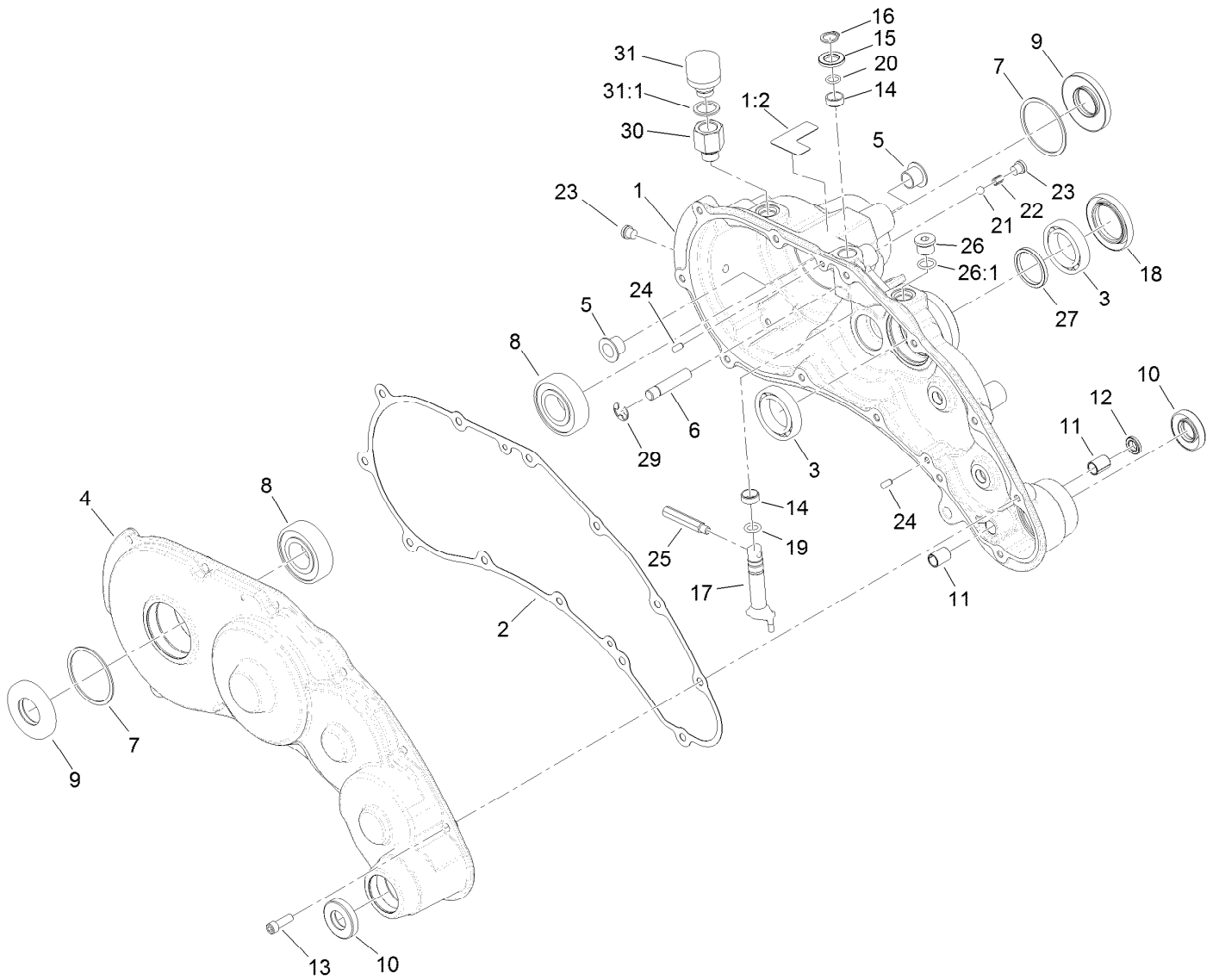
Ref.	Part Number	Qty.	Description
14	120-9638	1	Nut-Jam
15	115-5142	1	Screw-HHF, Patch
16	119-4042	1	Nut-HF, NI
17	137-0298	1	Shaft-Selector, Reel
18	137-0299	1	Hub-Selector, Reel
19	117-1031	1	Spring-Compression
20	119-4041	1	Nut-HF
21	119-4609	1	Spring-Extension
22	32151-47	2	Ring-Retaining
23	139-5133	1	Shaft-Drive, Electric
24	133-9117	1	Lever-Brake, Cable
25	131-6150	1	Screw-HWHTF



## Transmission Assembly

Ref.	Part Number	Qty.	Description
1	140-9327	1	Kit-Transmission Replacement
2	115-5142	2	Screw-HHF, Patch
4	138-1615	1	Tube-Drive
5	140-9380	1	Tube-Drive, Reel
13	139-5132-0P	1	Adapter-Motor
14		1	Rem/Inv Assy, Dir Drv ●
15	3274-83	3	Screw-HSH
16	105-2409	4	Screw-HSH
17	1-807272	1	Key
18	140-9257	1	Gasket-Motor, Electric
19	138-1613	1	Shaft-Drive, Reel

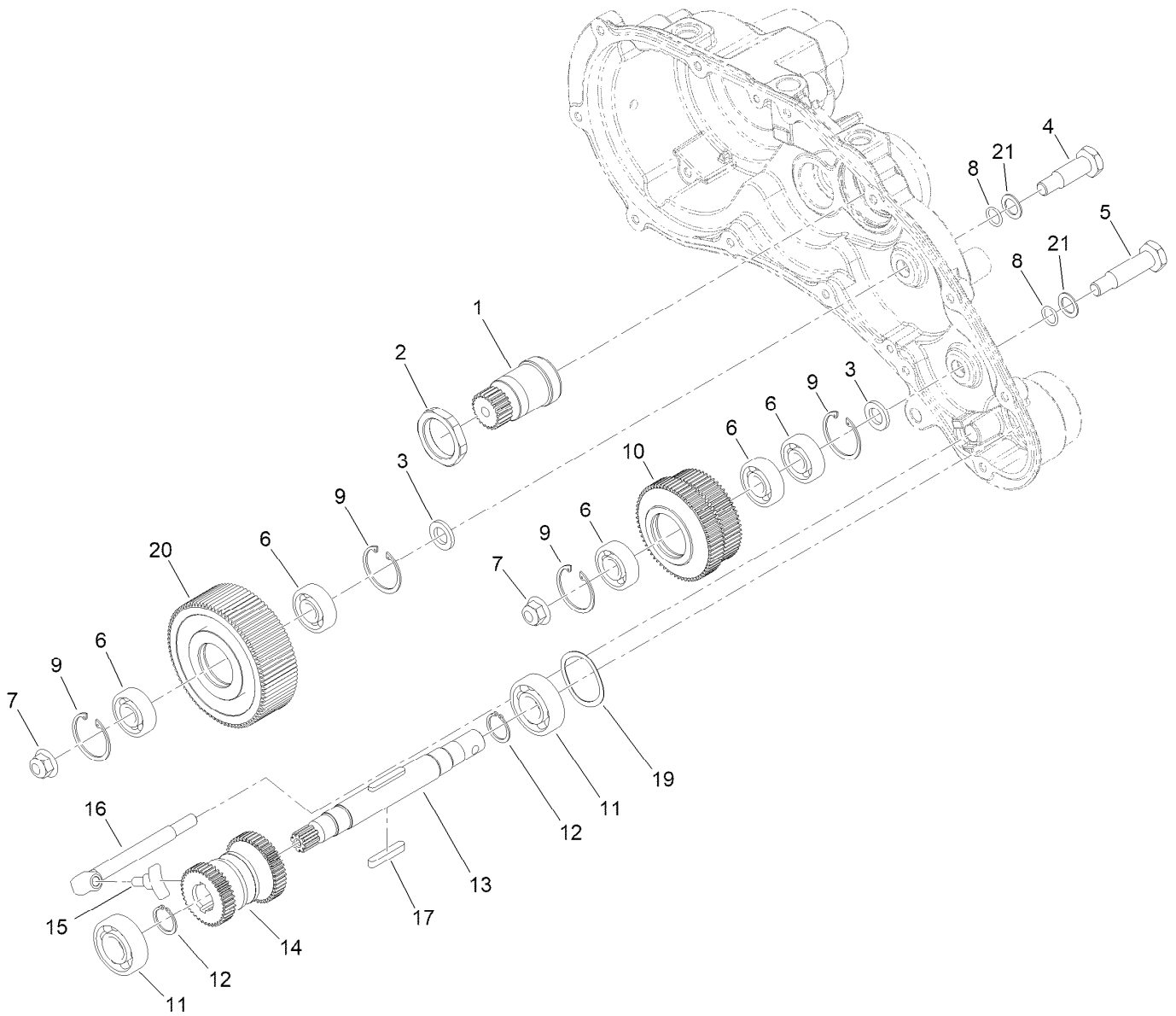
● Not serviced separately



## Transmission Assembly No. 140-9327

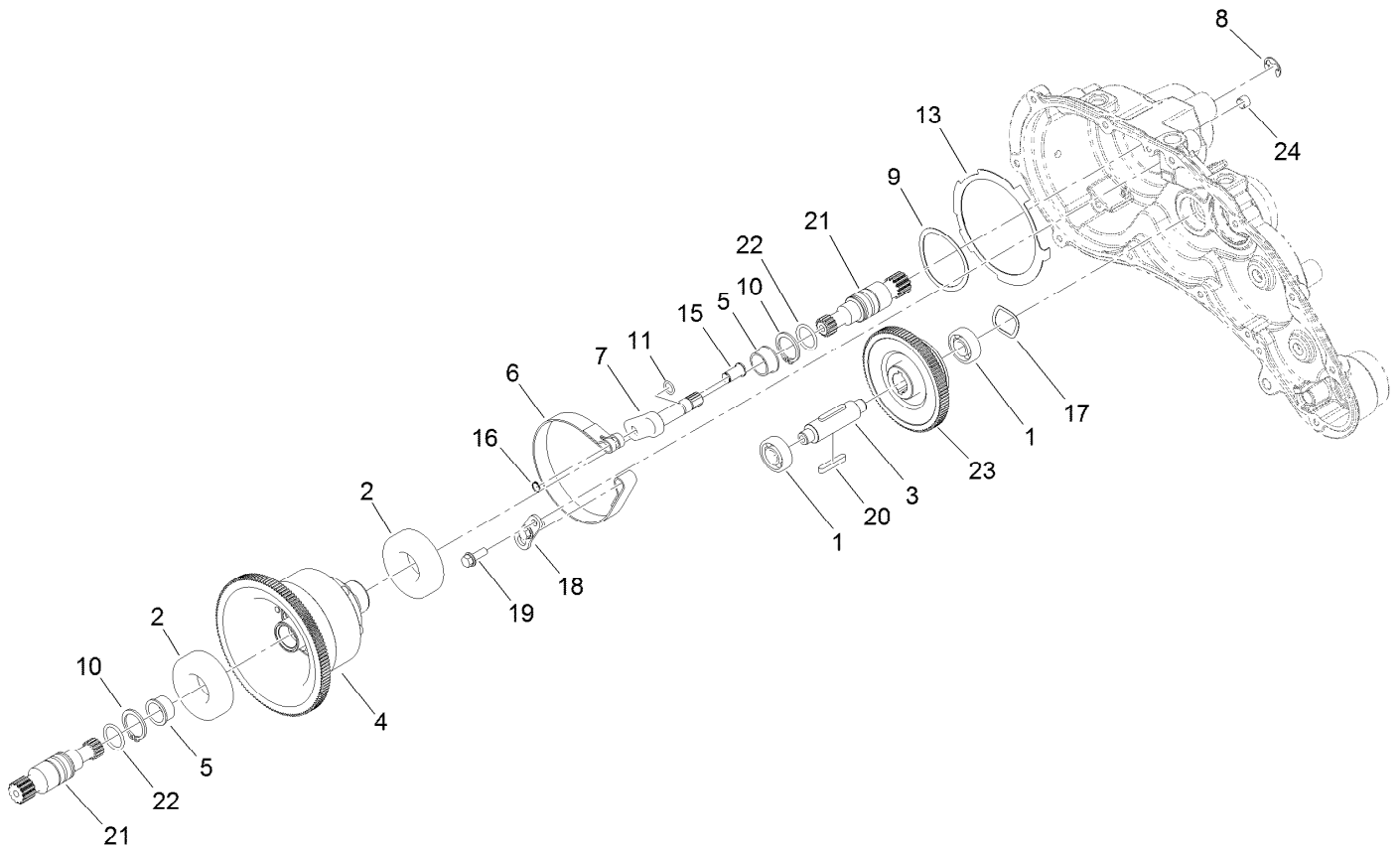
### Transmission Case Assembly

<i>Ref.</i>	<i>Part Number</i>	<i>Qty.</i>	<i>Description</i>	<i>Ref.</i>	<i>Part Number</i>	<i>Qty.</i>	<i>Description</i>
1	140-9307	1	Transmission Housing ASM, Elec.	16	32151-61	1	Ring-Retaining
1:2	138-1644	1	Decal-Release, Traction	17	130-6816	1	Shaft-Selector, Traction
2	132-4551	1	Gasket-Transmission	18	140-9325	1	Seal-Grease, High Temp
3	140-9287	2	Bearing-Ball	19	131-1879	1	O-Ring Seal
4	138-1603	1	Transmission Cover ASM	20	237-22	1	O-Ring
5	125-5239	2	Bushing-Flange	21	105-2442	1	Ball-Detent
6	133-9122	1	Pin-Mount, Brake	22	105-2443	1	Spring-Detent
7	32151-92	2	Ring-Retaining	23	131-1825	2	Plug-ORB
8	251-82	2	Bearing-Ball	24	121-9249	2	Pin-Dowel
9	133-9075	2	Seal-Oil	25	133-9149	1	Pin-Groomer
10	130-9463	2	Seal-Oil	26	353-989	1	Plug-Hex, Hollow
11	131-3038	2	Bushing-Sleeve	26:1	237-42	1	O-Ring
12	131-3126	1	Seal-Oil	27	138-1496	1	Spacer
13	140-9233	12	Screw-HSH, Patch	29	105-7004	1	E-Ring
14	121-4738	2	Bushing-Straight	30	140-9299	1	Adapter-Vent
15	108-5059	1	Spacer-Bushing	31	133-2359	1	Breather-Vent, Nylon
				31:1	133-5659	1	Washer-Rubber



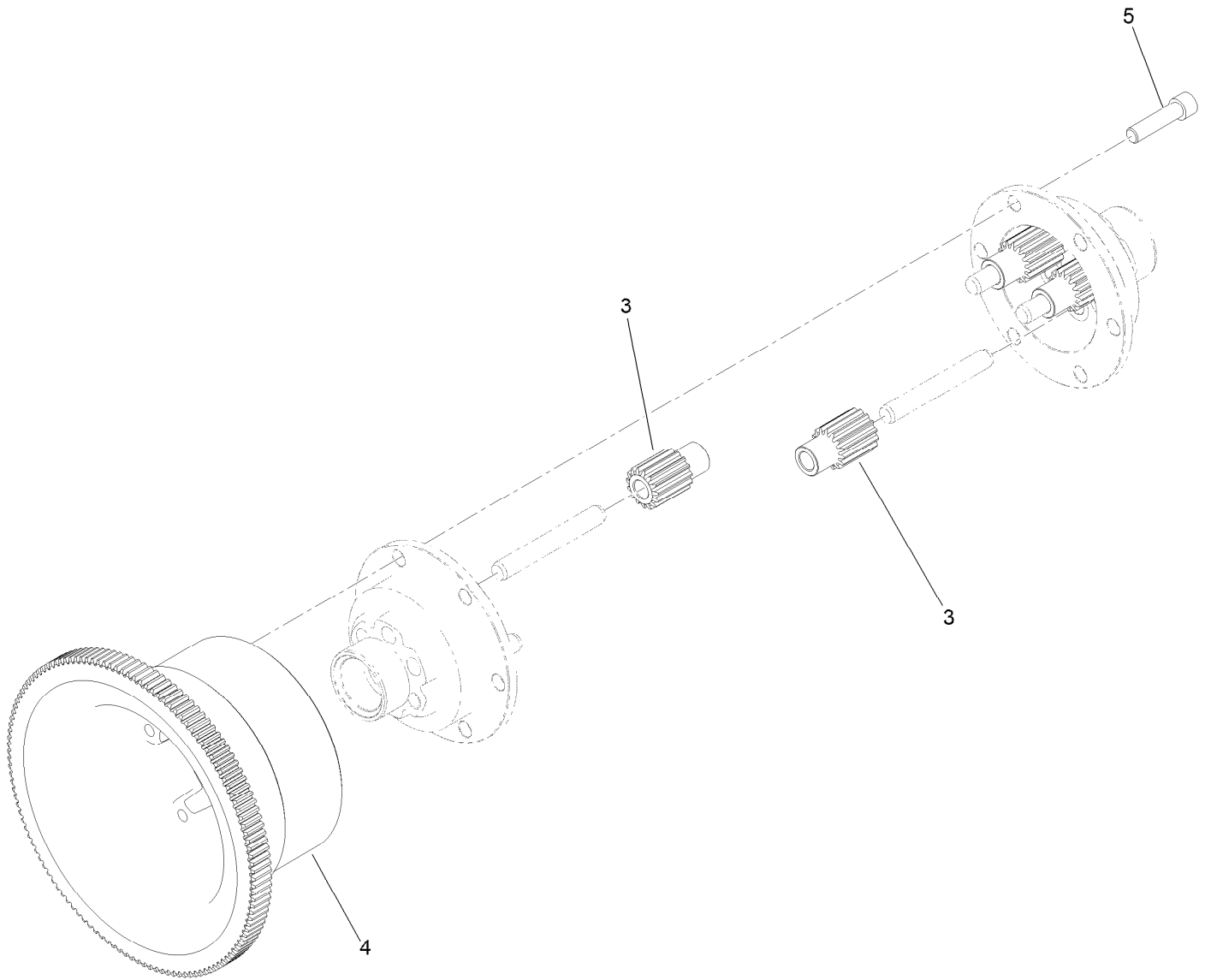
## Transmission Assembly No. 140-9327 Reel Drive Assembly

<i>Ref.</i>	<i>Part Number</i>	<i>Qty.</i>	<i>Description</i>	<i>Ref.</i>	<i>Part Number</i>	<i>Qty.</i>	<i>Description</i>
1	161-7361	1	Shaft-Electric Motor, 22T	12	138-1629	2	Ring-Retaining, EXT (17MM)
2	138-1495	1	Nut-Lock, Thin	13	139-4359	1	Shaft-Drive, Reel
3	133-4553	2	Spacer-Bearing	14	130-6834	1	Gear-Spur, Slider
4	133-4558	1	Pin-Bearing, Short	15	133-9120	1	Shoe-Clutch, Reel
5	133-4557	1	Pin-Bearing, Long	16	133-9121	1	Actuator-Clutch, Reel
6	49-2410	5	Bearing-Ball	17	103-2739	2	Key
7	119-4042	2	Nut-HF, NI	19	131-3170	1	Spring-Wave
8	80-8460	2	O-Ring	20	137-0273	1	Gear-Spur, 85T
9	138-1506	4	Ring-Retaining, Int (32MM)	21	161-7385	2	Washer-Fiber
10	137-0272	1	Gear-Spur, 60T/65T				
11	140-9285	2	Bearing-Ball				



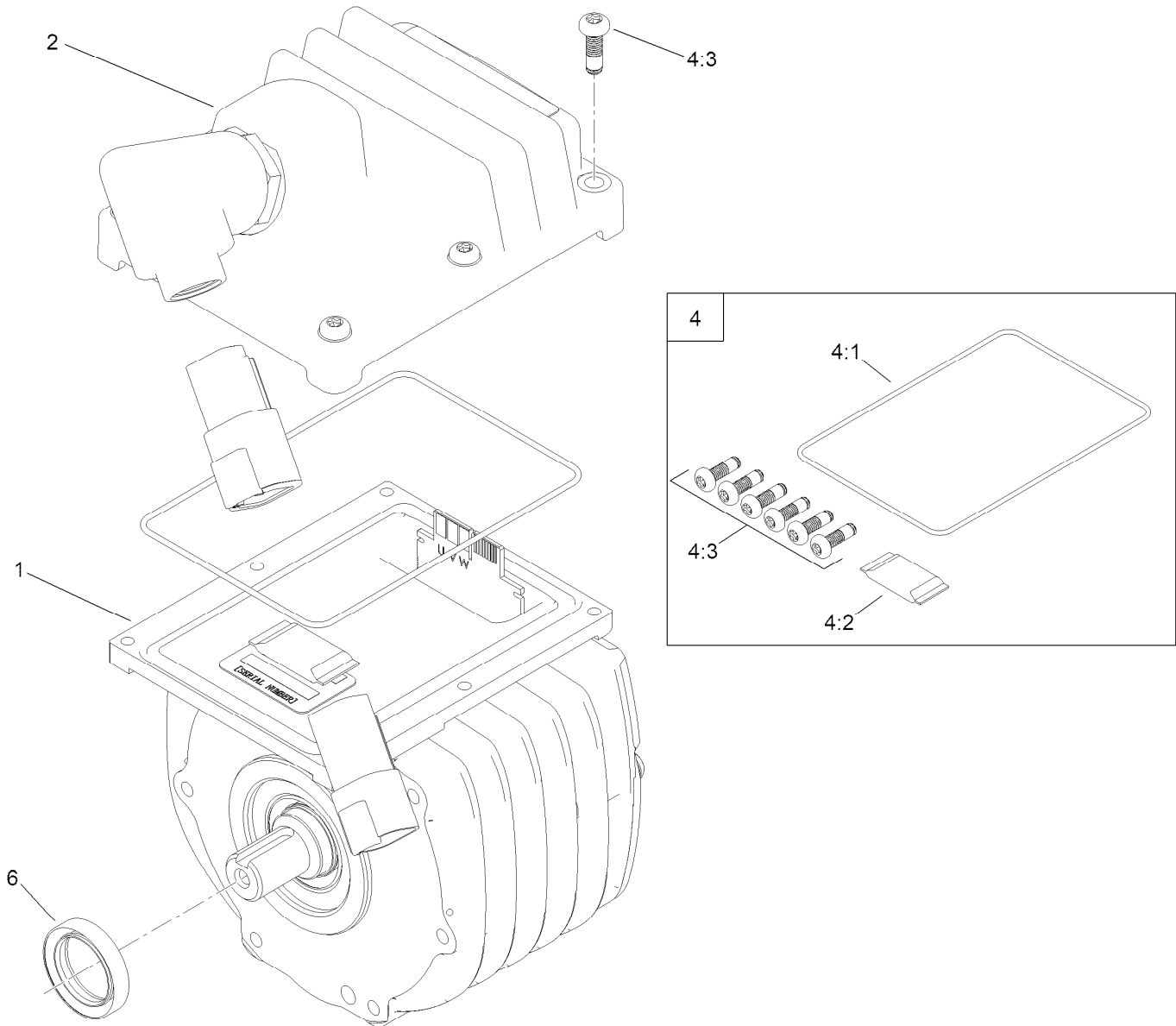
## Transmission Assembly No. 140-9327 Traction Drive Assembly

<i>Ref.</i>	<i>Part Number</i>	<i>Qty.</i>	<i>Description</i>	<i>Ref.</i>	<i>Part Number</i>	<i>Qty.</i>	<i>Description</i>
1	49-2410	2	Bearing-Ball	13	140-9236	1	Plate-Retainer, Brake
2	251-312	2	Bearing-Ball	15	120-9687	1	Pin-Clevis, Brake
3	137-0236	1	Shaft-Slider, Neutral	16	32120-46	1	Ring-Retaining
4	132-4555	1	Differential ASM	17	112-5163	1	Washer-Wave
5	256-252	2	Bearing-Flange	18	140-9279	1	Plate-Retainer, Pin
6	140-9277	1	Band-Brake	19	119-1138	2	Screw-HHF, Patch
7	132-4550	1	Lever-Brake	20	103-2739	2	Key
8	32120-47	1	Ring-Retaining, External	21	130-6841	2	Shaft-Differential
9	115-5258	1	Spring-Wire, Flat	22	237-159	2	O-Ring
10	32151-36	2	Ring-Retaining	23	137-0276	1	Gear-Spur, Neutral (93T)
11	237-22	1	O-Ring	24	285-17	1	Plug-Pipe



## Differential Assembly No. 132-4555

<i>Ref.</i>	<i>Part Number</i>	<i>Qty.</i>	<i>Description</i>
3	130-6840	6	Gear-Spur, Differential
4	137-0294	1	Gear-Differential, 127T
5	3274-26	6	Screw-HSH

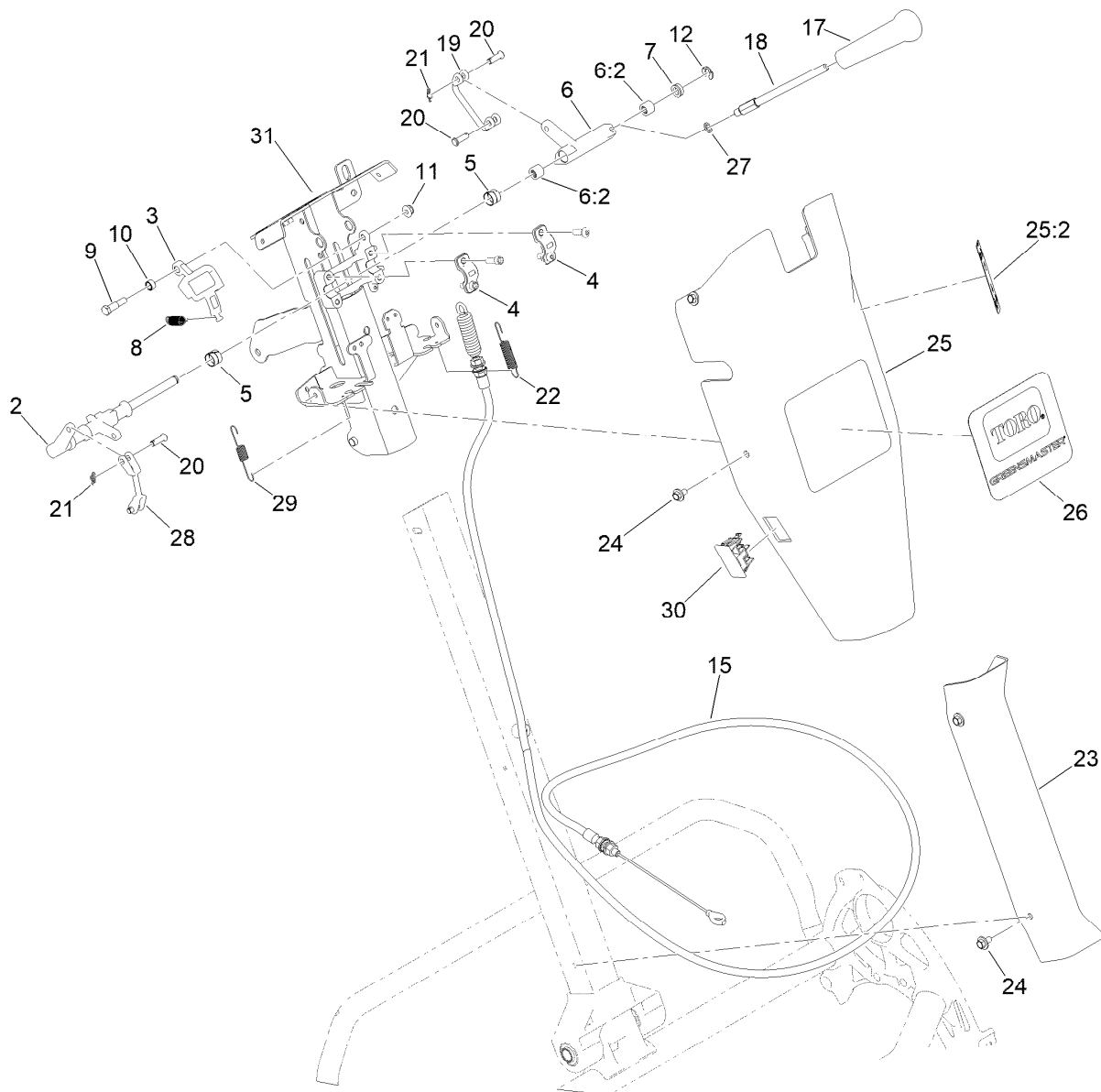


## Direct Drive Motor Assembly

Ref.	Part Number	Qty.	Description
1	161-0342	1	Rem-Direct Drive
2	161-0343	1	Inverter-Direct Drive
4	144-6731	1	Controller And Motor Service Kit
4:1		1	O-Ring-Formed, Controller ■
4:2		1	Desiccant-Silica Gel, 1/2 Gram ■
4:3	144-6692	6	Screw-Tph
4:4		1	Grease-Dielectric ● ■
6	139-8597	1	Seal-Oil

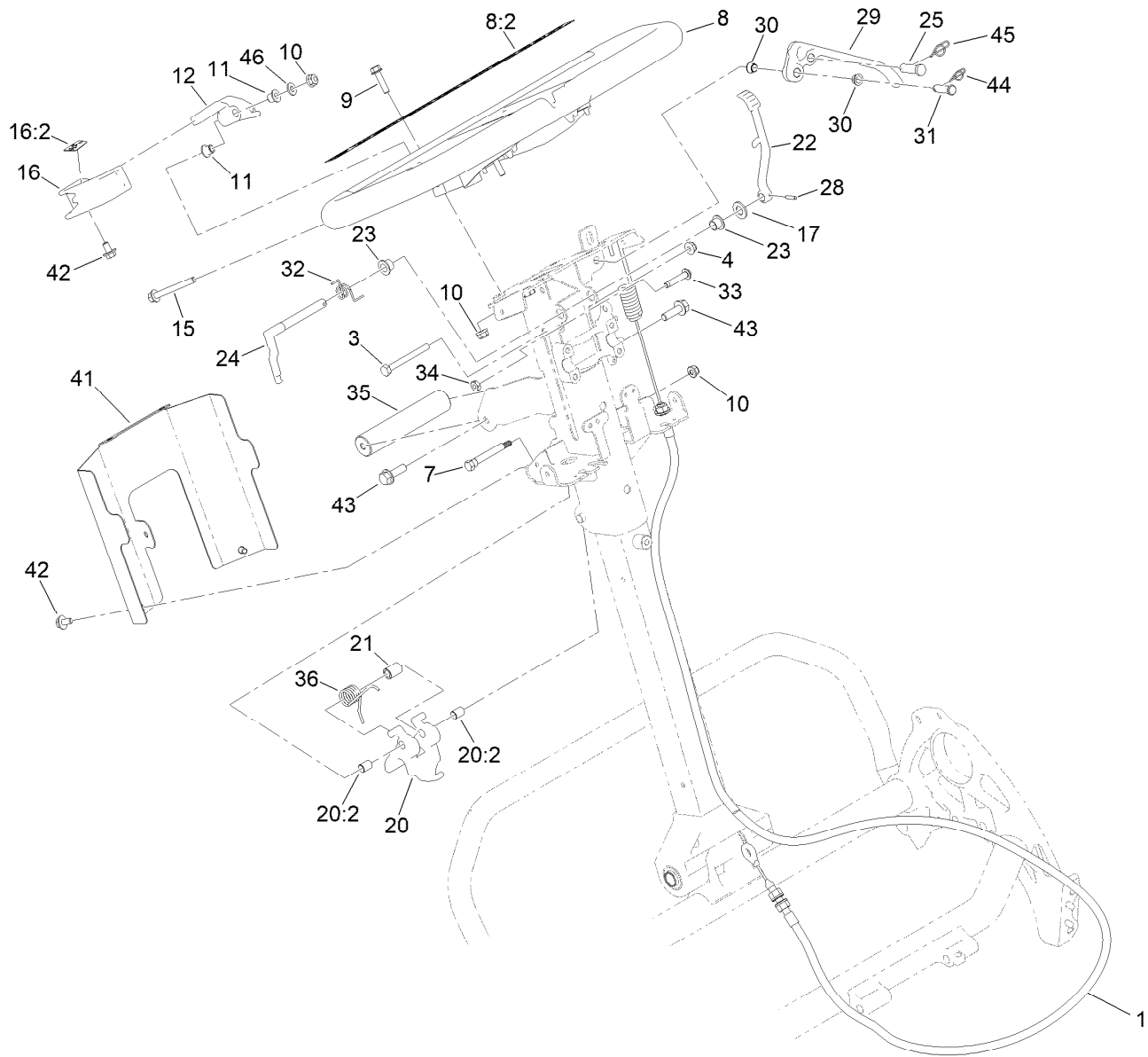
● Not illustrated

■ Not serviced separately



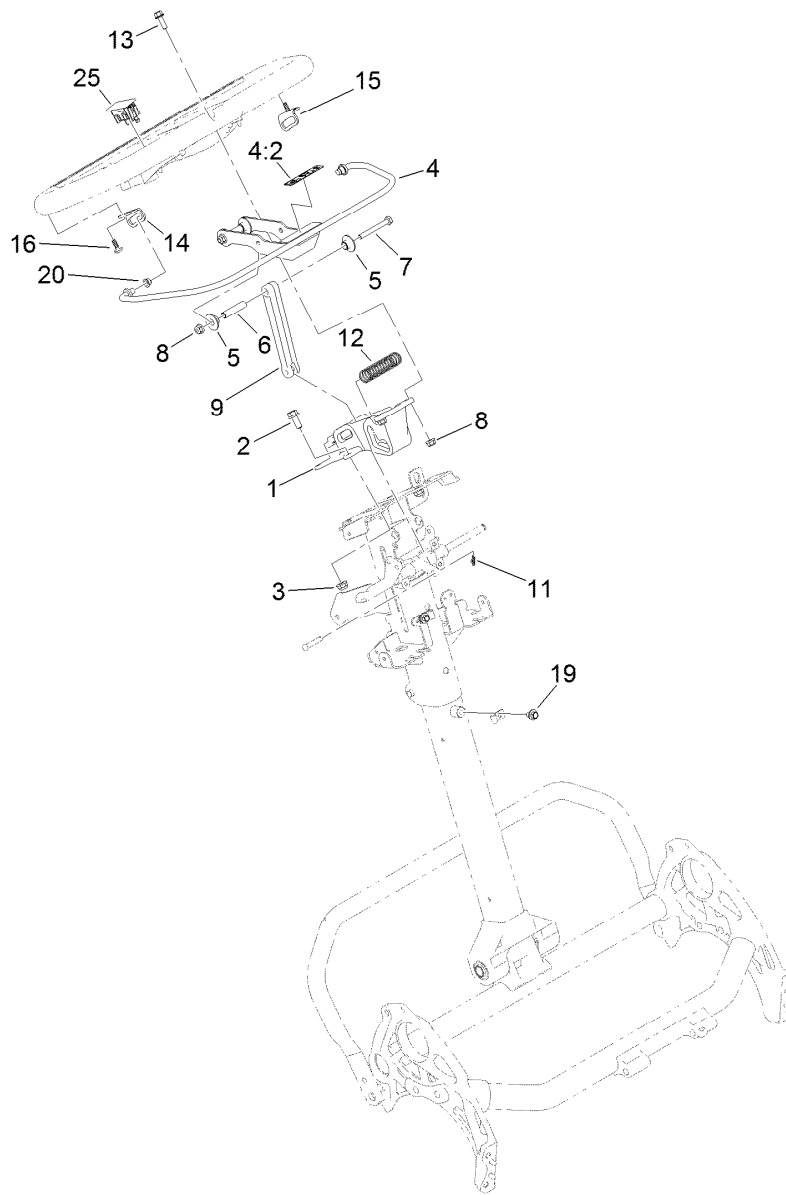
## Reel Controls and Covers Assembly

Ref.	Part Number	Qty.	Description	Ref.	Part Number	Qty.	Description
2	140-9305	1	Shaft-Main, Controls	19	137-0232	1	Connector-Clevis
3	137-0266	1	Cam-Latch, Upper	20	1-808265	4	Pin-Clevis
4	138-1513	2	Clamp-Shaft, Control	21	138-1587	2	Clip-Pin, Cotter
5	137-0263	2	Bushing-Split	22	138-1536	1	Spring-Extension
6	137-0312	1	Reel Lever ASM	23	138-1479	1	Cover-Handle, Lower
6:2	138-1637	2	Bearing-Needle	24	46-6810	8	Screw And Washer ASM
7	131-3187	1	Seal-V-Ring	25	139-4304	1	Control Upper Cover ASM
8	140-3410	1	Spring-Extension	25:2	138-1589	1	Decal-Reel Drive Engagement
9	137-0313	1	Screw-Shoulder	26	140-3400	1	Decal-Greensmaster E1021
10	137-0346	1	Spacer-Latch, Bail	27	75-5470	1	Spacer-Bearing
11	104-7201	1	Nut-HF, NI	28	138-1592	1	Connector-Clevis
12	32151-47	1	Ring-Retaining	29	140-3417	1	Spring-Extension
15	140-9330	1	Cable-Reel Engagement	30	119-7791	1	Plug-Hole
17	104-9760	1	Knob-Black	31	147-2284-0P	1	Receiver-Upper
18	137-0190	1	Rod-Handle, Reel Lever				



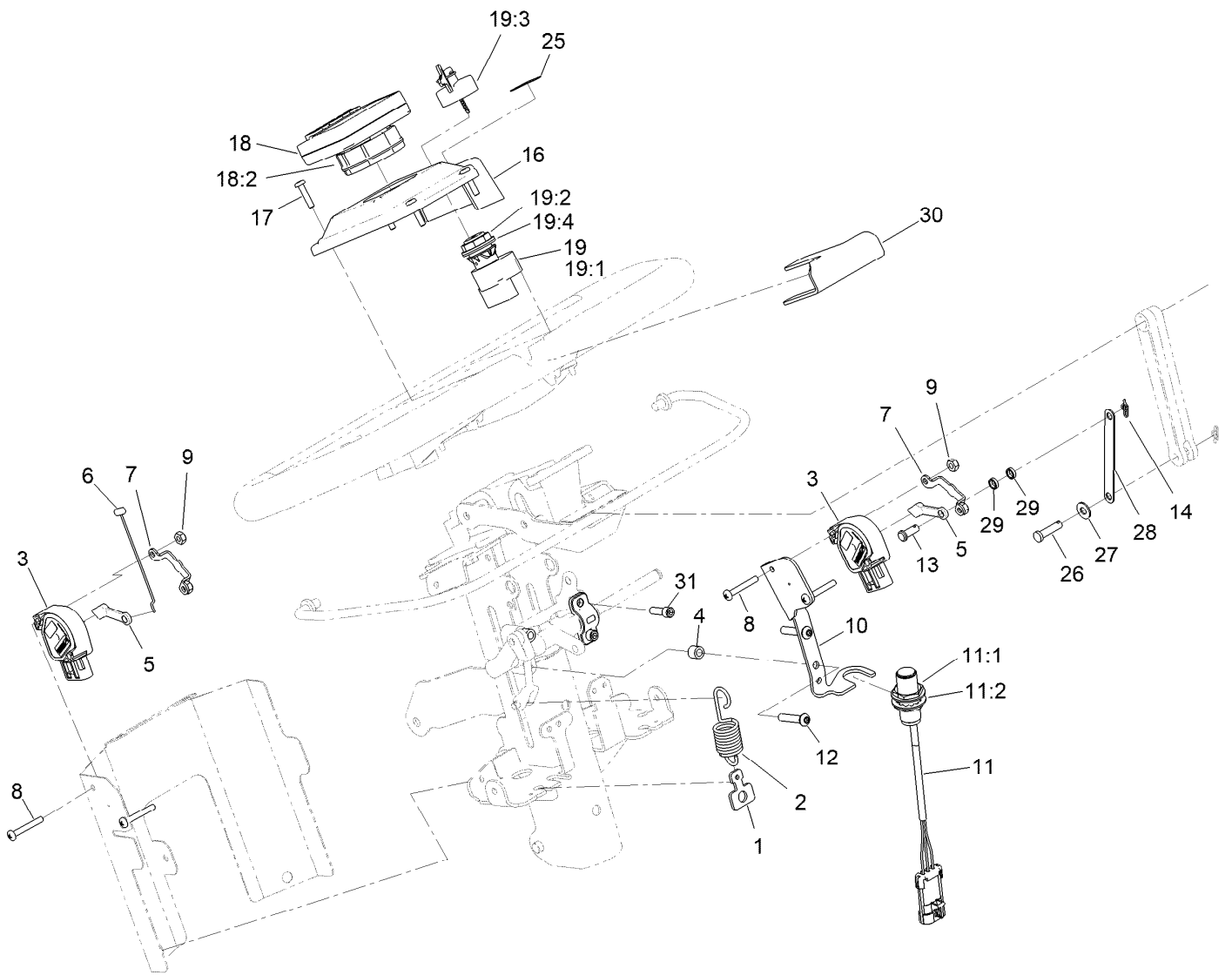
## Upper Handle Assembly

Ref.	Part Number	Qty.	Description	Ref.	Part Number	Qty.	Description
1	140-9318	1	Cable ASM, Brake	24	138-1573	1	Latch-Brake
3	321-15	1	Screw-HH	25	1-808285	1	Pin-Clevis
4	104-7201	1	Nut-HF, NI	28	32121-73	1	Pin-Roll
7	147-2269	1	Cam-Handle, Pivot	29	140-9298	1	Lever-Brake
8	138-1645	1	Handle ASM	30	138-5538	2	Bushing-Flange
8:2	138-5532	1	Decal-Warning, General	31	283-6	1	Pin-Clevis
9	120-4654	2	Screw-HHF	32	138-1518	1	Spring-Brake, Torsion
10	119-4040	4	Nut-HF, NI	33	132-6777	1	Screw-Twh Thd Roll
11	138-3538	2	Bushing-Flange	34	120-9695	1	Nut-Jam
12	138-1636	1	Arm-Throttle	35	138-1535	1	Handle-Assist, Lift
15	140-9317	1	Screw-HHF, Lock	36	140-9334	1	Spring-Handle, Torsion
16	139-4303	1	Throttle Lever ASM	41	139-5141-03	1	Cover-Bottom, Controls [black]
16:2	138-5534	1	Decal-Throttle	42	46-6810	3	Screw And Washer ASM
17	100-4852	1	Washer-Hardened	43	115-5142	2	Screw-HHF, Patch
20	137-0317	1	Handle Adjuster ASM	44	116-6639	1	Pin-Cotter, Locking
20:2	137-0308	2	Bushing-Igus	45	140-9312	1	Pin-Cotter, Locking
21	140-9335	1	Spacer-Spring	46	139-1323	1	Washer-Spcl
22	140-3377	1	Lever-Lock, Brake				
23	138-1514	2	Bushing-Flange				



## Traction Bail Assembly

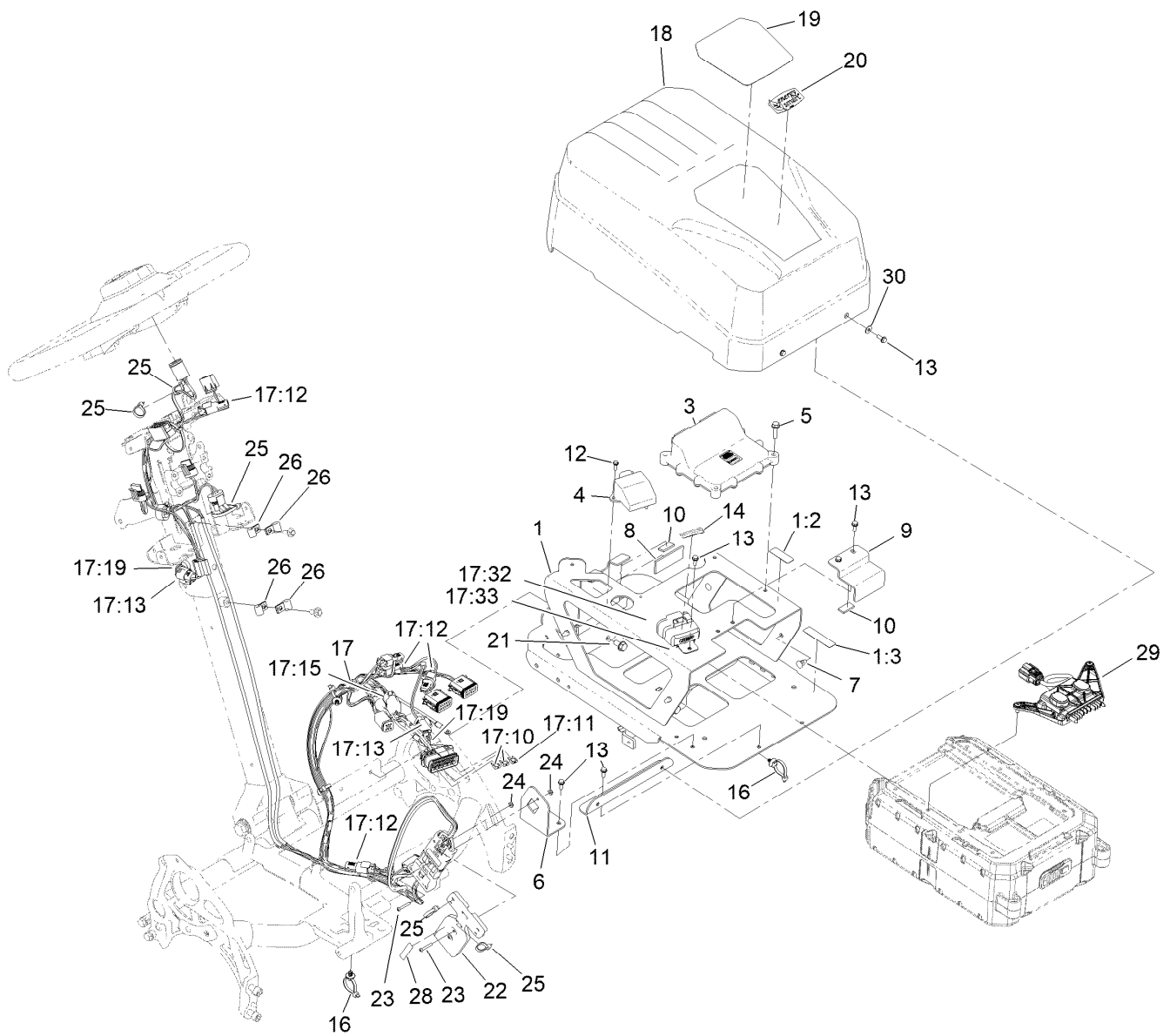
<i>Ref.</i>	<i>Part Number</i>	<i>Qty.</i>	<i>Description</i>	<i>Ref.</i>	<i>Part Number</i>	<i>Qty.</i>	<i>Description</i>
1	138-5524	1	Mount-Handle	11	138-1587	1	Clip-Pin, Cotter
2	3234-47	2	Screw-HHF	12	138-3468	1	Spring-Compression
3	119-4041	2	Nut-HF	13	120-9678	2	Screw-HHF
4	139-4302	1	Clutch Bail ASM	14	138-3539	1	Bracket-Bail, RH
4:2	138-5533	1	Decal-Bail, Traction	15	138-3540	1	Bracket-Bail, LH
5	138-3466	4	Bushing-Flange	16	138-5775	2	Screw-Delta Point
6	138-3465	2	Spacer-Tube	19	46-6811	2	Screw-Thd Roll Sems
7	321-18	2	Screw-HH	20	138-5538	2	Bushing-Flange
8	119-4040	4	Nut-HF, NI	25	119-7791	1	Plug-Hole
9	138-5515	1	Link-Bail, Clutch				



## Electric Handle Components Assembly

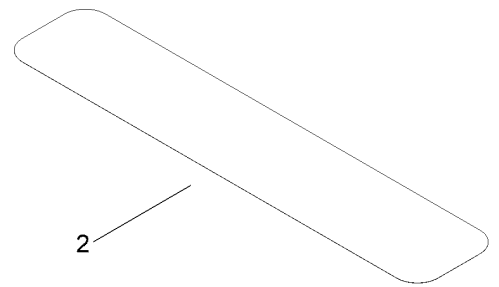
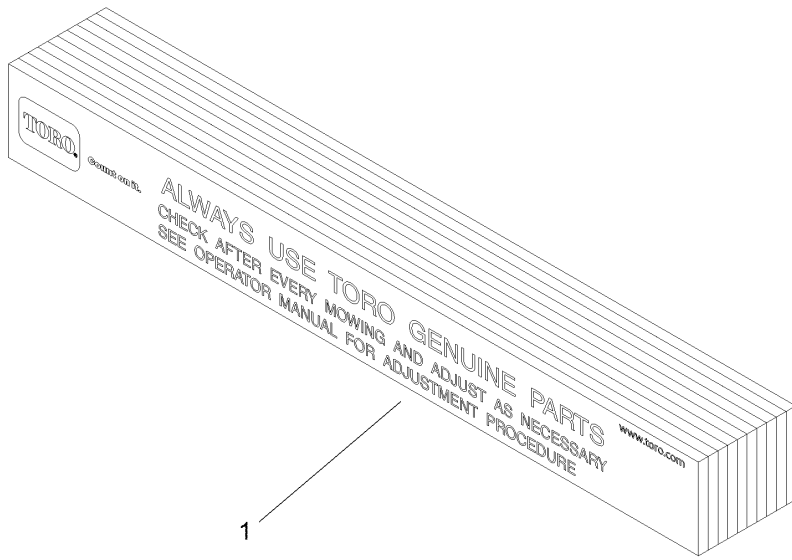
Ref.	Part Number	Qty.	Description	Ref.	Part Number	Qty.	Description
1	140-9328	1	Tab-Spring	16	139-5151	1	Mount-Infocenter
2	140-9300	1	Spring-Extension	17	32144-36	4	Screw-PPH
3	119-0737	2	Sensor-Position	18	161-1700	1	Display-LCD
4	66-8010	2	Spacer	18:2	161-1723	1	Nut-Display
5	139-5147	2	Lever-Bail, Control	19	161-7350	1	Ignition Switch ASM
6	139-5149	1	Cable-Throttle	19:1		1	Switch-Ignition ●
7	139-5144	2	Lock	19:2	108-8660	1	Nut-Mounting
8	104-1452	4	Screw-PPH	19:3	106-5270	1	Ignition Key Set
9	120-9681	4	Nut-Lock, NI	19:4	108-8659	1	Washer-Backup
10	139-5153-0P	1	Mount	25	139-5178	1	Decal-On/Off Greensmaster Eflex 1021
11	115-0282	1	Sensor, Proximity Sensor ASM	26	99-7149	1	Pin-Clevis
11:1	117-3207	2	Nut-Hex	27	360-0140	1	Washer-Flat
11:2	117-3208	2	Washer-Lock, Internal Tooth	28	140-3379	1	Link-Shaft, Pot
12	120-0834	2	Screw-HSBH	29	138-5368	2	Spacer
13	60-1730	1	Pin-Clevis	30	139-4386	1	Fork-Catch, Bail
14	138-1587	1	Clip-Pin, Cotter	31	140-9233	2	Screw-HSH, Patch

● Not serviced separately



## Battery Frame Assembly

Ref.	Part Number	Qty.	Description	Ref.	Part Number	Qty.	Description
1	147-2326	1	Frame ASM-Battery (Service)	17:11	121-8884	1	Fuse-Mini Blade, 30 Amp
1:2	139-5614	1	Decal-Op Manual	17:12	32180-282	4	Conn, Res, 120 Ohm
1:3	137-9693	1	Decal-Warning	17:13	32180-089	2	Cap-Plug, 3 Way
3	122-1683	1	Controller-Tec 2402	17:15	32180-156	1	Cap-Plug, 6 Way
4	147-2258	1	Gateway-Can, 250K-500K Baud Rate	17:19	32180-139	2	Mount-Tie Wrap, Magnetic
5	32144-86	2	Screw-HWHTF	17:32	32180-176	1	Cover-Block, Fuse
6	147-2267-01	1	Mount-Battery Connect	17:33	32180-177	1	Clip-Mounting
7	121-4729	4	Plug	18	140-9278	1	Cover-Electric
8	133-0081	1	Strip-Foam	19	139-5180	1	Decal-Lithium
9	147-2253-0P	1	Bracket-Battery, Hold	20	119-7580	1	Decal-Smart, Energy
10	115-5417	4	Strip-Foam	21	3234-7	4	Screw-HHF
11	147-2266-01	1	Cover-Mounting ASM [red]	22	120-4646	1	Handle-Connector
12	32144-87	2	Screw-HWHTF	23	120-9693	3	Screw-PPH
13	139-1713	11	Screw-Thd Roll	24	120-9684	3	Nut-Lock
14	147-2319	1	Decal-Fuse Block	25	3290-378	5	Tie-Cable
16	32180-400	2	Clip-Tie, Fir Tree W/Tie, 5MM/.196" Hole	26	2412-91	4	Clamp
17	122-3457	1	Harness-Wire, Main	28	147-2310	1	Decal-Voltage, High
17:10	121-8876	2	Fuse-Mini Blade, 3 Amp	29	161-7379	1	Flying Lead-Battery (Briggs)
				29	161-7381	1	Kit-Hardware, Flying Lead
				30	137-3079	4	Washer-Plain



## Miscellaneous Parts Assembly

<i>Ref.</i>	<i>Part Number</i>	<i>Qty.</i>	<i>Description</i>
1	125-5610	1	Paper-Reel, Toro (10 Pack)
2	140-5531	1	Shim-Toro Reel (.002In)

# Attachments and Accessories

## For 04835 — Greensmaster e1021 Greensmower

<b>Product Name</b>	<b>Model/Part</b>
LI-ION Battery Charger, 650W.....	04066
LI-ION Battery Charger, 900W.....	04091
Wheel Kit .....	04123
Light Kit (2019+) .....	04135
Push Broom Kit, Walk Greensmower (2019+) .....	04136
CU Light Kit Mount.....	04138
Wheel Loading Kit, TP200 .....	04219
Rail Loading Kit, TP200 .....	04229
Trans Pro 80 Tow-Behind Trailer.....	04238
Trans Pro 200 .....	04239
Flat Ramp .....	04245
Rail Ramp Kit (Update).....	04247
Turf Evaluator .....	04399
8-Blade 21in Fixed Cutting Unit .....	04832
11-Blade 21in Fixed Cutting Unit.....	04833
14-Blade 21in Fixed Cutting Unit .....	04834
Paint-Black Bottle .....	112-0176
Paint-Red Bottle .....	112-0178
Wireless Hourmeter.....	115-4754
Toro Reel Paper (10 Pack).....	125-5610
Grease-Synthetic.....	136-8595
Rail Ramp Kit TP100 .....	138-5011
Retention Kit.....	139-2683
Retention Straps Kit.....	139-6477
Shim-Toro Reel (.002in).....	140-5531
Cord-AC, 120V .....	147-6297
Adapter, AC, 250V/10A, EU To UK .....	147-7791
Adapter, AC, 250V/10A, EU To Australia .....	147-7792
Cord-AC, JIS .....	161-7441
Toro Red 12oz Aerosol Can .....	361-10
Semi-Gloss Black Spray Paint.....	361-9
Height-of-Cut Bar.....	94-9010

**Notes:**

**Notes:**



**Count on it.**