



Count on it.

Parts Catalog

Sand Pro® 5040

Traction Unit

Model No. 08745—Serial No. 420600000 and Up



Ordering Replacement Parts

To order replacement parts, please supply the part number, the quantity, and the description of each part desired.

Understanding Reference Numbers

Each identified part in an illustration has a reference number. The reference number for a part also appears in the parts list, along with other information about the part.

This catalog uses two special reference number formats, one to indicate parts in a service assembly and another to indicate the quantity of a given part in an illustration.

Service Assembly Reference Numbers

Parts in service assemblies have reference numbers in the form a:b. The a represents the reference number of the entire service assembly and the b represents a sequential number unique to each part within the service assembly.

For example, a wheel assembly might be identified by reference number 6, the tire by 6:1, the valve by 6:2, and the wheel by 6:3. When you order the assembly identified by reference number 6, you receive all parts identified by reference numbers 6:1, 6:2, and 6:3. However, you may also order any part individually. Reference numbers of this type appear in illustration and in parts lists.

Reference Numbers Indicating Quantity

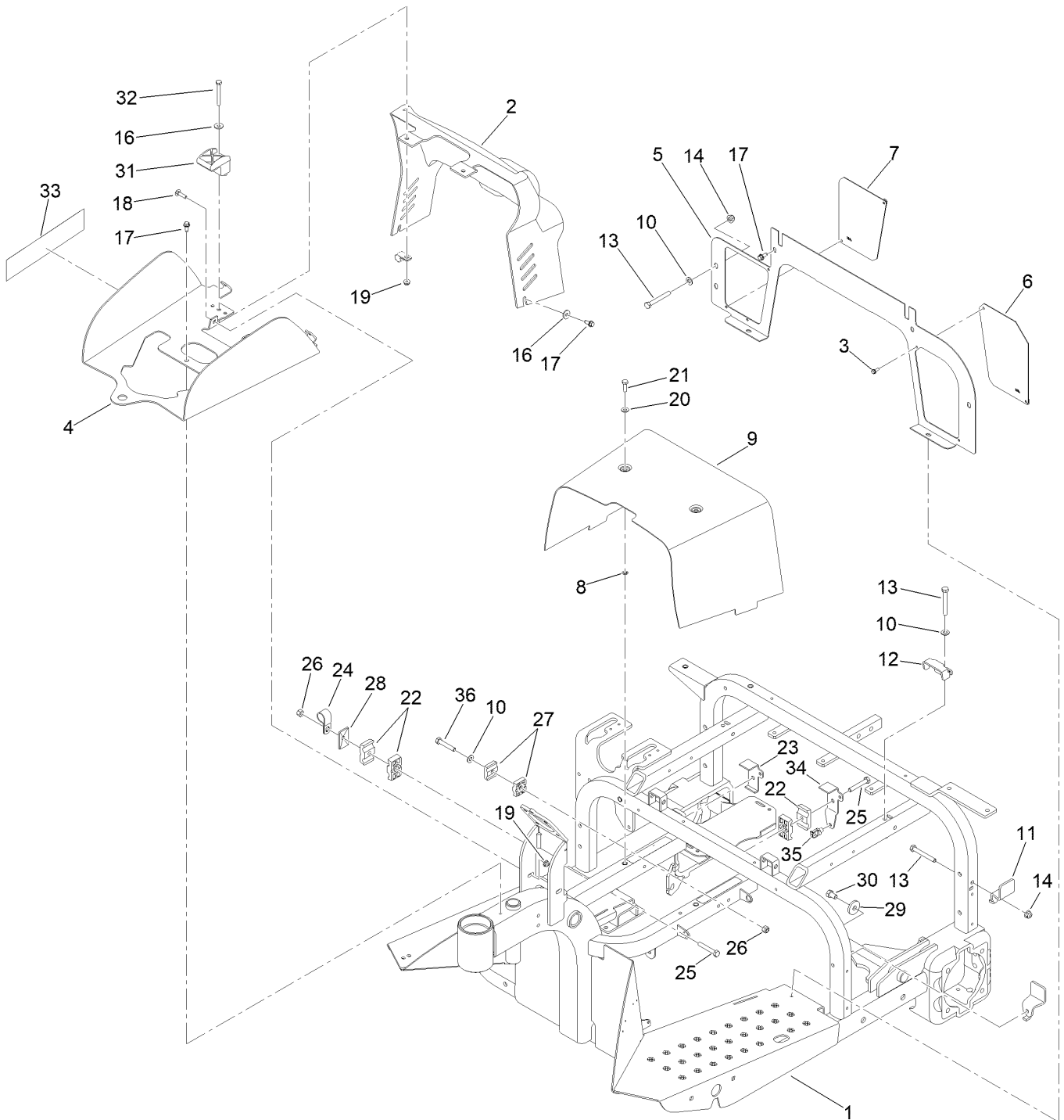
In an illustration, if a reference number indicates more than one part, the reference number has the form nX y. The n represents the quantity of the part, the X is the multiplication symbol, and the y represents the reference number.

For example, in an illustration, the reference number 2X 37 means that two of the parts identified by reference number 37 are indicated.

Contents

Frame and Shroud Assembly	4
Frame Assembly No. 140-0295SP	6
Body and Seat Assembly	8
Seat Assembly No. 144-1350	10
Fuel System Assembly	12
Hydraulic Pump, Tank and Cooler Assembly	14
Variable Piston Pump Assembly No. 138-9132	16
Traction Control Assembly	18
Rear Lift and Lift Circuit Assembly	20
Hydraulic Lift Cylinder Assembly No. 115-5647	22
Hydraulic Valve Assembly No. 121-9070	24
Lift Hydraulic Routing Assembly	26
Rear Wheel Assembly	28
Hydraulic Motor Assembly No. 108-2947	30
Hydraulic Motor Assembly No. 108-2949	32
Front Wheel Assembly	34
Hydraulic Motor Assembly No. 108-2948	36
Steering Assembly	38
Steering Hydraulics Assembly	40
Hydraulic Cylinder Assembly No. 163-6564	42
Hydraulic Cylinder Assembly No. 114-0620	44
Hydraulic Steering Pump No. 138-9133	46
Engine Installation Assembly	48
Air Cleaner Assembly No. 93-2190	50
Electrical and Console Assembly	52
Vehicle Tracker Assembly	54
Attachments and Accessories	56

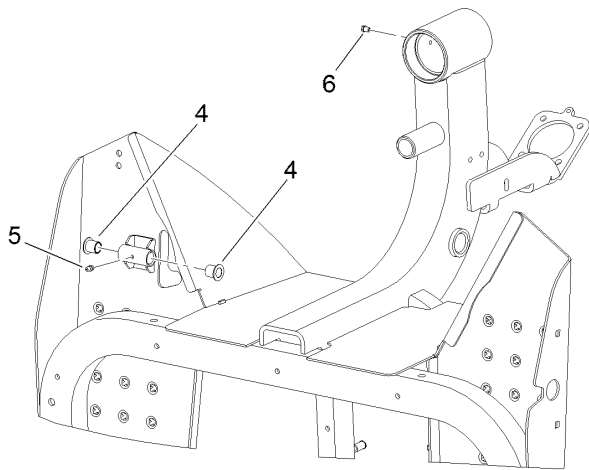
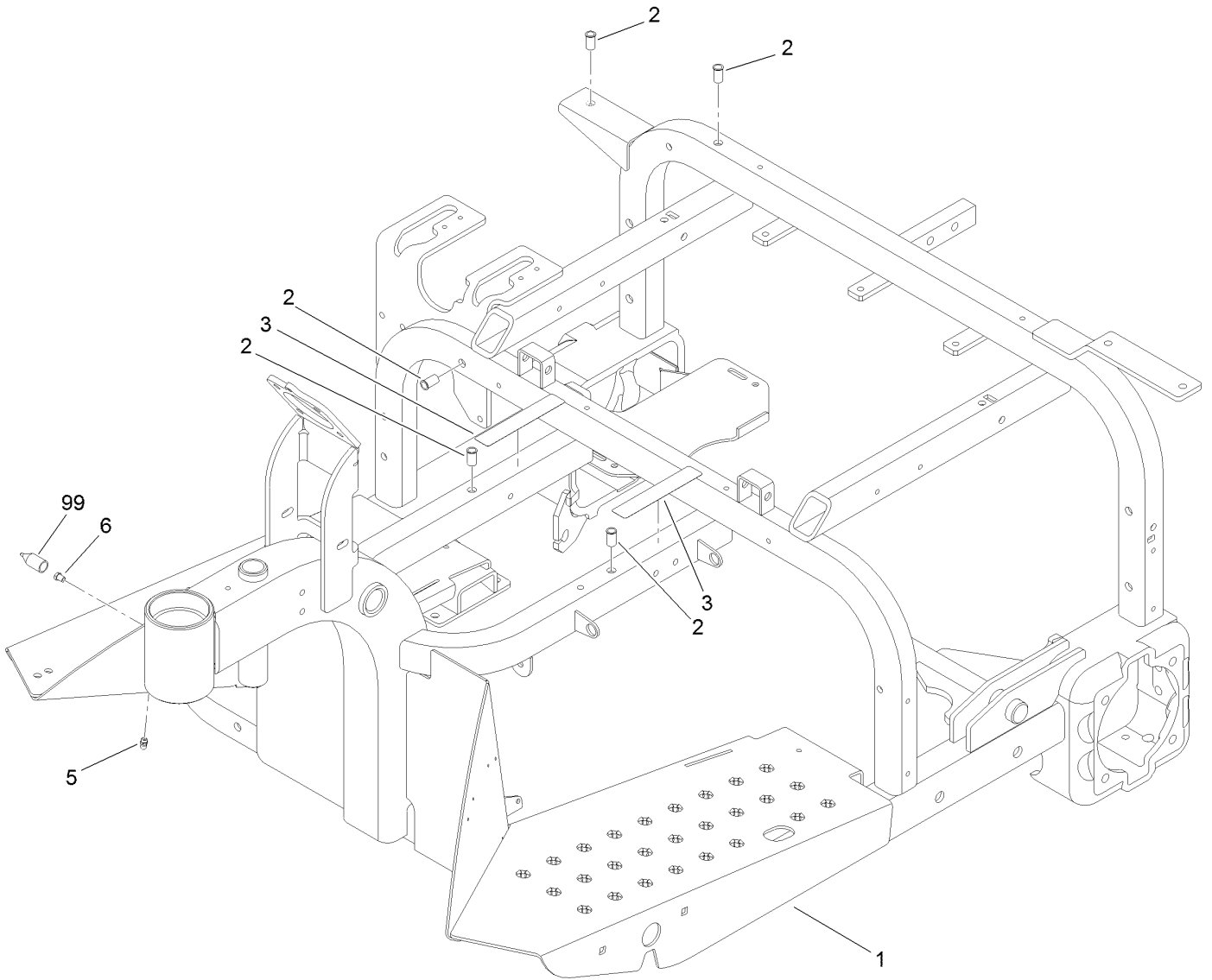
Frame and Shroud Assembly



Frame and Shroud Assembly (continued)

<i>Ref.</i>	<i>Part Number</i>	<i>Qty.</i>	<i>Description</i>	<i>Ref.</i>	<i>Part Number</i>	<i>Qty.</i>	<i>Description</i>
1	140-0295SP	1	Frame ASM	20	3256-1	2	Washer-Flat
2	108-6898	1	Shroud-Dash	21	321-5	2	Screw-HH
3	3290-321	4	Screw-HWH	22	56-7976	6	Clamp-Tube
4	108-6895-01	1	Bracket-Mount, Tank	23	110-1333	1	Bracket-Clamp
5	112-1443-01	1	Panel-Front	24	2412-4	1	Clamp-R
6	120-3491-01	1	Screen-Panel, LH	25	322-10	3	Screw-HH
7	120-3492-01	1	Screen-Panel, RH	26	3296-29	4	Nut-Lock, NI
8	32115-15	2	Nut-Push	27	56-7973	2	Clamp-Tube
9	108-6859-01	1	Shroud-Center	28	69-9760	1	Plate-Cover
10	3256-23	6	Washer-Plain	29	53-6380	1	Washer-Flat
11	108-7965	2	Clamp-Tank, HYD	30	323-34	1	Screw-HH
12	108-7903	1	Clamp-Tank	31	107-4543	2	Clamp
13	322-12	5	Screw-HH	32	321-18	2	Screw-HH
14	119-4041	5	Nut-HF	33	108-8419	2	Decal
16	3256-78	4	Washer-Flat	34	110-1332	1	Bracket-Clamp
17	32144-10	7	Screw-HWH	35	32180-030	1	Clip-Tie
18	3229-2	2	Screw-CARR	36	322-7	1	Screw-HH
19	104-7201	4	Nut-HF, NI				

Frame Assembly No. 140-0295SP

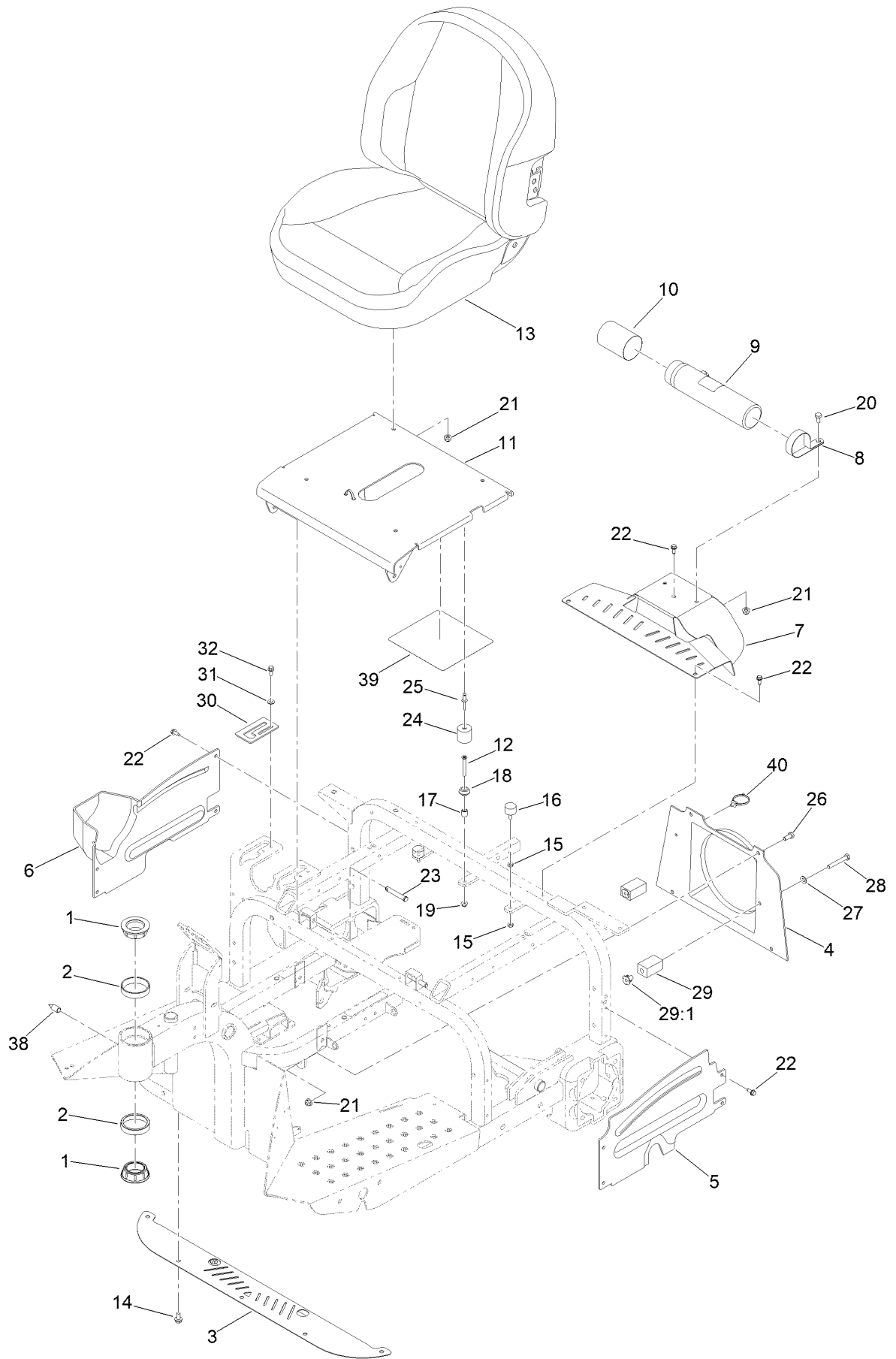


Frame Assembly No. 140-0295SP (continued)

<i>Ref.</i>	<i>Part Number</i>	<i>Qty.</i>	<i>Description</i>	<i>Ref.</i>	<i>Part Number</i>	<i>Qty.</i>	<i>Description</i>
1		1	Frame ASM ●	5	302-58	1	Fitting-Straight
2	32148-11	5	Nut-Clinch	6	107-1997	1	Fitting-Grease
3	93-7272	2	Decal-Warning	99	107-1998	1	Nozzle-Grease
4	256-219	2	Bushing				

● Not serviced separately

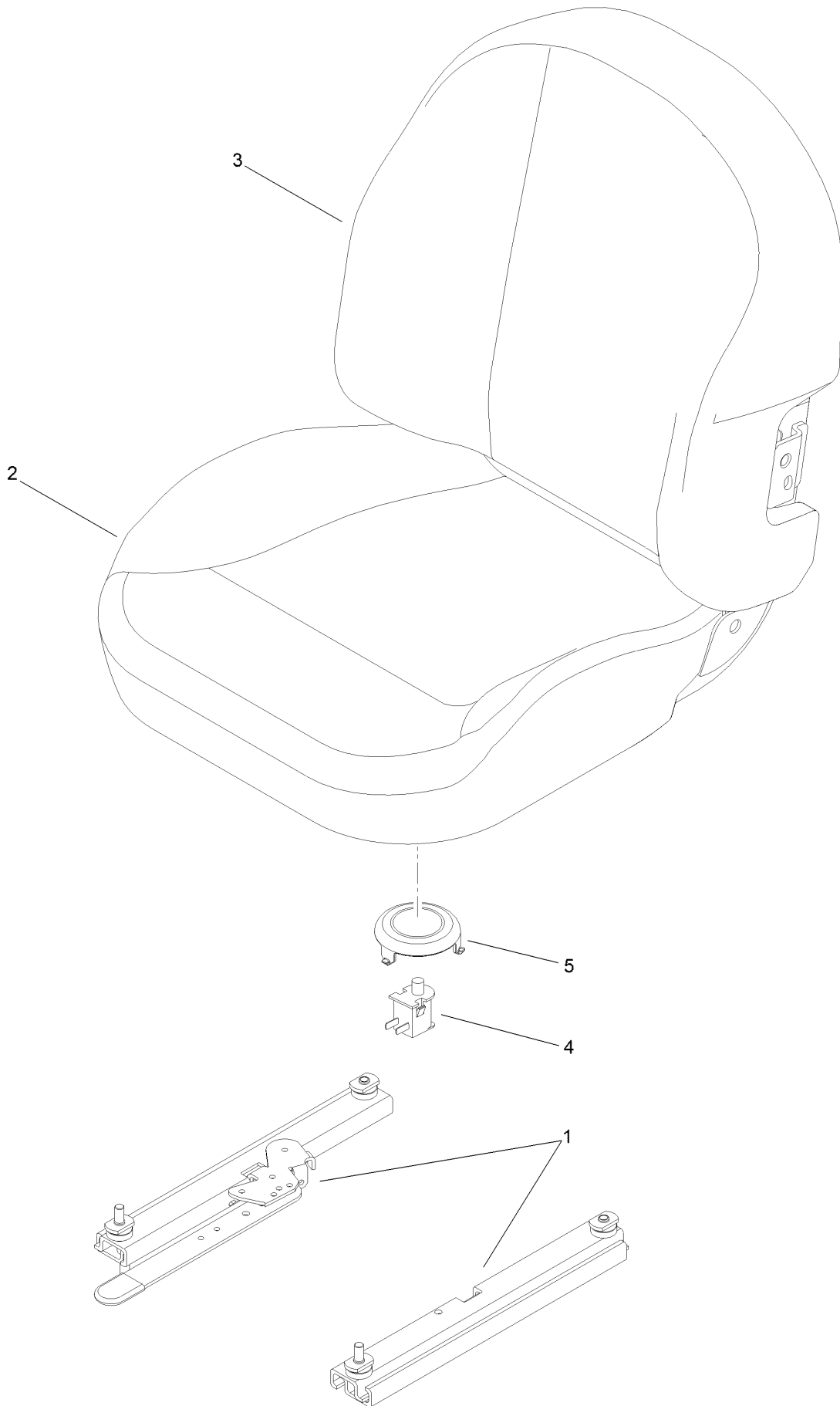
Body and Seat Assembly



Body and Seat Assembly (continued)

<i>Ref.</i>	<i>Part Number</i>	<i>Qty.</i>	<i>Description</i>	<i>Ref.</i>	<i>Part Number</i>	<i>Qty.</i>	<i>Description</i>
1	107-7590	2	Cup-Bearing	19	104-7201	1	Nut-HF, NI
2	107-7589	2	Cone-Bearing (W/ Seal)	20	322-2	2	Screw-HH
3	140-0262-0P	1	Panel-Cooler	21	119-4041	10	Nut-HF
4	108-5477	1	Shroud-Fan	22	32144-10	11	Screw-HWH
5	108-6856	1	Shroud-Wheel, LH	23	112-7153	2	Pin
6	108-6855	1	Shroud-Wheel, RH	24	99-7830	1	Receptical-Rubber
7	121-9081-01	1	Cover-Rear	25	3290-412	1	Rivet-Blind
8	2412-133	2	Clamp-R	26	322-3	4	Screw-HH
9	104-7050	1	Tube-Manual	27	3256-23	2	Washer-Plain
10	104-7048	1	Cap-Housing	28	322-11	2	Screw-HH
11	144-1375	1	Base-Seat	29	85-9550	2	Rubber Clamp ASM
12	363-1571	1	Screw-PFH	29:1	85-9670	1	Nut-T
13	144-1350	1	Seat ASM	30	108-7941	1	Plate-Guide, Lever
14	32144-14	5	Screw-HWHTF	31	3256-1	2	Washer-Flat
15	3218-1	4	Nut-Jam	32	3234-33	2	Screw-HHF
16	1-523420	2	Bumper	38	107-1998	1	Nozzle-Grease
17	609588	1	Spacer	39	138-9101	1	Decal-Service
18	99-7833	1	Post-Holding	40	32180-030	1	Clip-Tie

Seat Assembly No. 144-1350

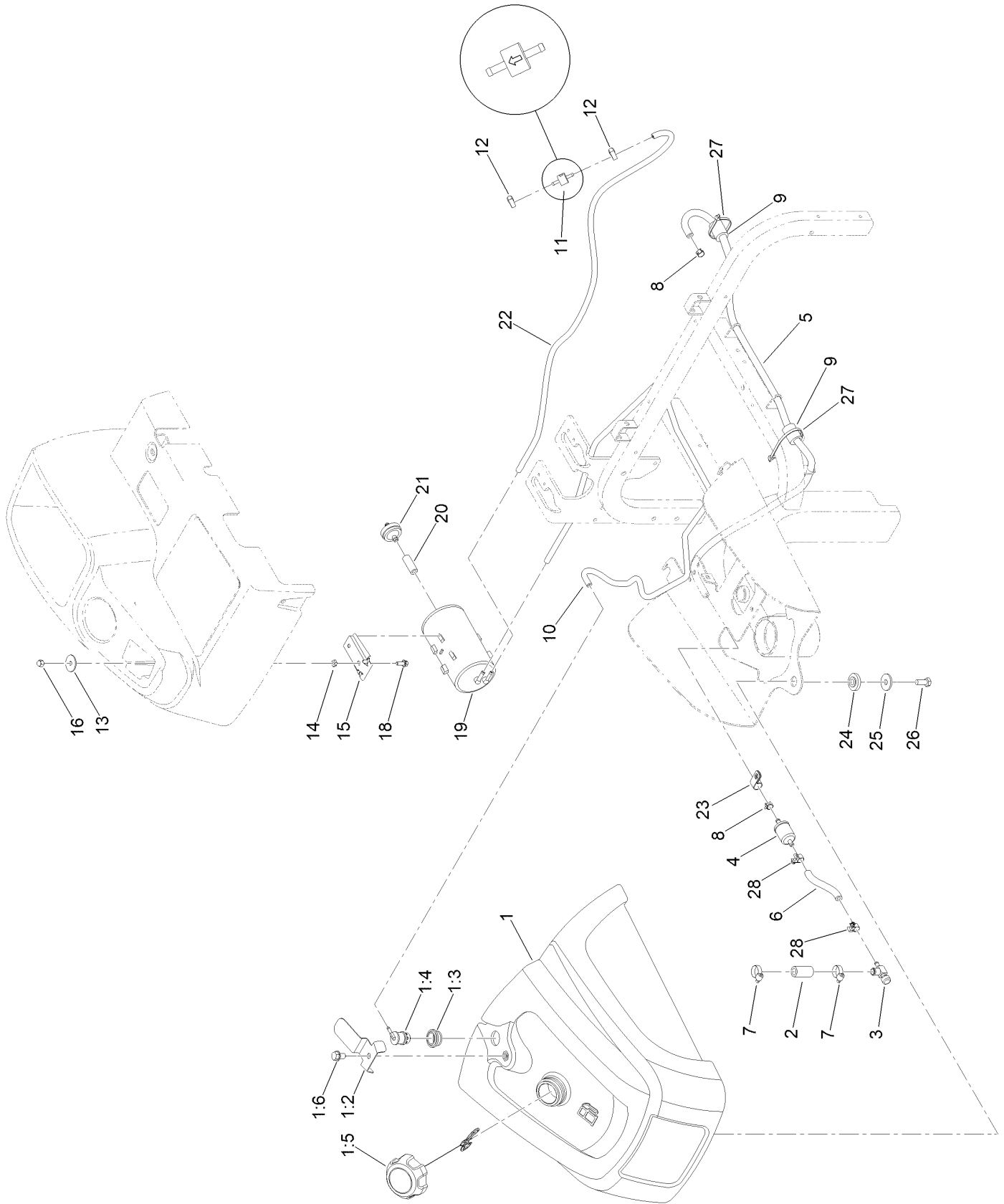


Seat Assembly No. 144-1350 (continued)

<i>Ref.</i>	<i>Part Number</i>	<i>Qty.</i>	<i>Description</i>
1	144-7068	1	Track ASM
2	144-7069	1	Cushion Cover
3	144-7070	1	Back Cover

<i>Ref.</i>	<i>Part Number</i>	<i>Qty.</i>	<i>Description</i>
4	82-2190	1	Switch-Bail
5	140-3468	1	Cap-Switch, Actuator

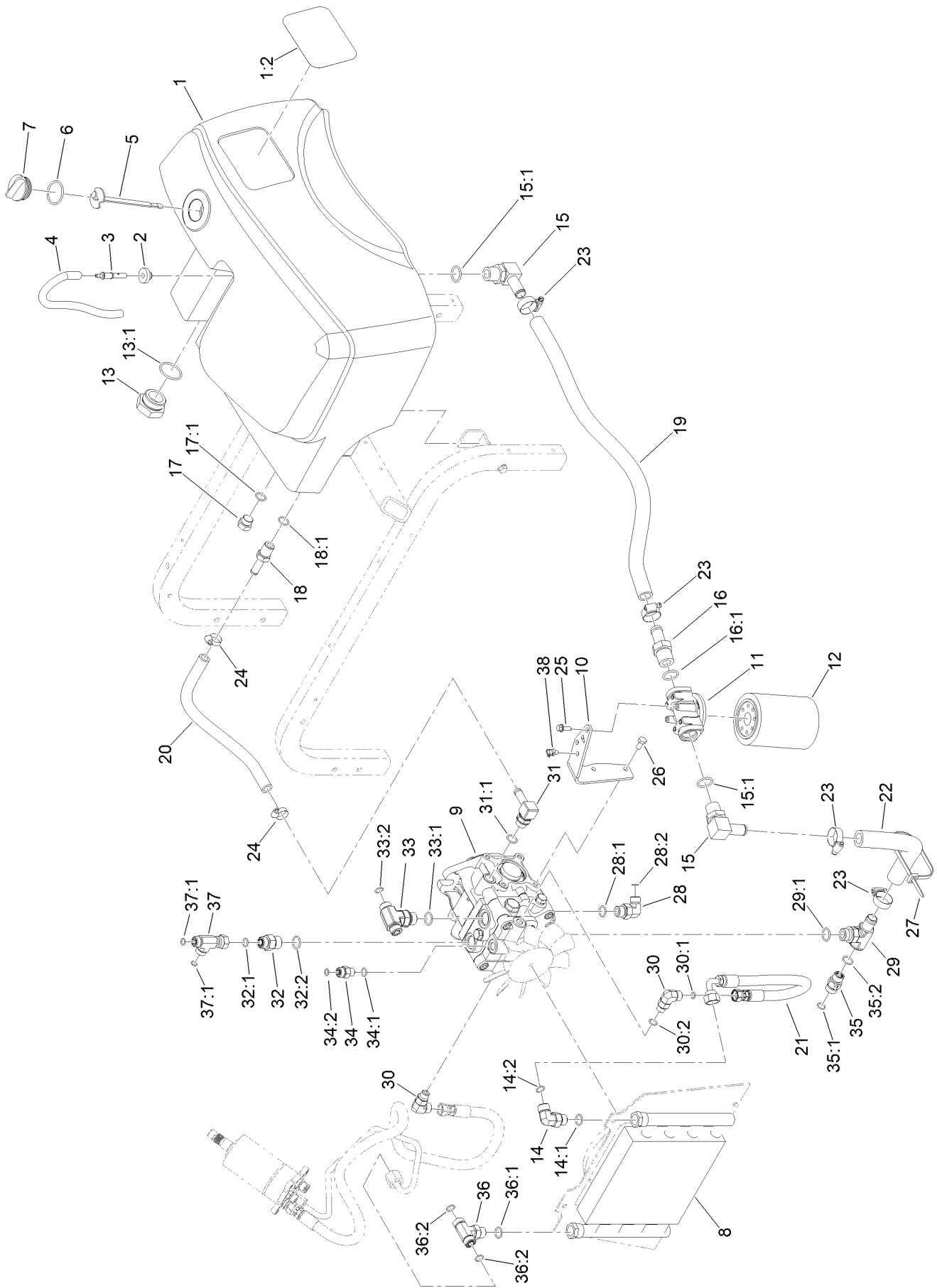
Fuel System Assembly



Fuel System Assembly (continued)

<i>Ref.</i>	<i>Part Number</i>	<i>Qty.</i>	<i>Description</i>	<i>Ref.</i>	<i>Part Number</i>	<i>Qty.</i>	<i>Description</i>
1	161-5041	1	Fuel Tank ASM	12	2412-108	2	Clamp-Worm
1:2	163-2573	1	Shield-Vent	13	3256-57	1	Washer-Flat
1:3	114-0284	1	Grommet	14	3218-1	1	Nut-Jam
1:4	114-0285	1	Valve-Rollover	15	114-0292	1	Bracket-Canister, Carbon
1:5	137-4127	1	Cap-Fuel	16	32111-7	1	Nut-Cap
1:6	3234-9	1	Screw-HHF	18	3234-33	1	Screw-HHF
2	110-3371	1	Hose-Fuel	19	127-8685	1	Canister-Carbon
3	83-1390	1	Valve-Shut-Off, Fuel	20	106-5317	1	Hose-Fuel
4	94-2690	1	Filter-Fuel	21	115-7854	1	Filter-Fuel, Inline
5	110-3372	1	Hose-Fuel	22	117-9569	1	Hose-Fuel
6	109-0660	1	Hose-Fuel	23	92-6064	1	Clamp-R
7	2412-36	2	Clamp-Hose	24	240-11	1	Bushing-Flange
8	2412-98	2	Clamp-Hose	25	63-8410	1	Washer
9	38-3400	2	Guard-Rubber	26	323-5	1	Screw-HH
10	117-9568	1	Hose-Fuel	27	3290-379	2	Tie-Cable
11	133-8499	1	Valve-Check, Vacuum	28	145-4564	2	Clamp-Band, Screw

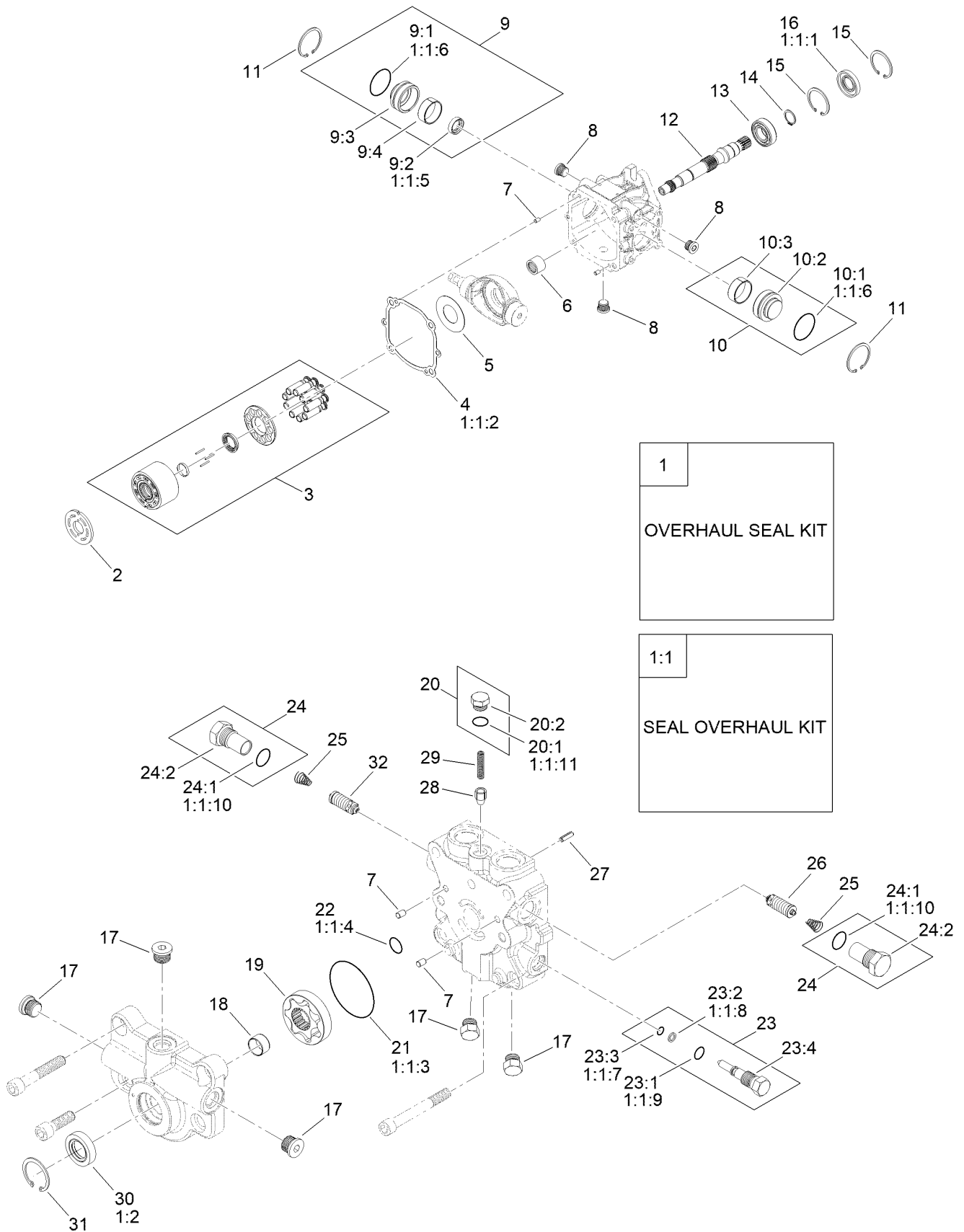
Hydraulic Pump, Tank and Cooler Assembly



Hydraulic Pump, Tank and Cooler Assembly (continued)

<i>Ref.</i>	<i>Part Number</i>	<i>Qty.</i>	<i>Description</i>	<i>Ref.</i>	<i>Part Number</i>	<i>Qty.</i>	<i>Description</i>
1	140-0319	1	HYD Tank W/Decal	25	3234-33	2	Screw-HHF
1:2	108-8452	1	Decal-Logo	26	33114-016	2	Screw-HH
2	46-6560	1	Bushing	27	3290-378	1	Tie-Cable
3	110-1372	1	Fitting-Vent, Tank	28	340-18	1	Fitting-HYD, 90 DEG
4	75-4704	1	Hose-Fuel	28:1	237-79	1	O-Ring
5	110-8162	1	Dipstick	28:2	237-22	1	O-Ring
6	237-101	1	O-Ring	29	140-0344	1	Fitting-Tee
7	93-7498	1	Plug-Plastic	29:1	237-80	1	O-Ring
8	108-8457	1	Cooler-Oil	30	340-77	2	Fitting-Elbow, 90 DEG
9	138-9132	1	Pump-Piston, Variable	30:1	237-22	1	O-Ring
10	163-2553	1	Bracket-Filter, Mount	30:2	237-42	1	O-Ring
11	68-8990	1	Head-Filter	31	354-120	1	Fitting-Elbow, 90
12	54-0110	1	Filter-Oil, Transmission	31:1	237-79	1	O-Ring
13	108-8468	1	Plug-HH	32	340-6	1	Fitting-Straight
13:1	237-101	1	O-Ring	32:1	237-30	1	O-Ring
14	340-98	1	Fitting-Elbow, 90 DEG	32:2	237-80	1	O-Ring
14:1	237-79	1	O-Ring	33	130-8775	1	Fitting-HYD
14:2	237-30	1	O-Ring	33:1	237-80	1	O-Ring
15	353-987	2	Fitting-Elbow, 90	33:2	237-30	2	O-Ring
15:1	237-81	1	O-Ring	34	100-7210	1	Check Valve
16	354-73	1	Fitting	34:1	237-42	1	O-Ring
16:1	237-81	1	O-Ring	34:2	237-22	1	O-Ring
17	353-550	1	Plug-HYD, HH	35	140-0335	1	Fitting-Check
17:1	237-79	1	O-Ring	35:1	237-30	1	O-Ring
18	354-121	1	Fitting-STR	35:2	237-79	1	O-Ring
18:1	237-79	1	O-Ring	36	340-157	1	Fitting-HYD, Tee
19	140-0328	1	Hose - HYD, LP	36:1	237-79	1	O-Ring
20	140-0265	1	Hose-Return	36:2	237-30	2	O-Ring
21	121-1583	1	Hose-HYD	37	340-115	1	Fitting-Tee
22	140-0264	1	Hose-Suction	37:1	237-22	2	O-Ring
23	2412-129	4	Clamp-Hose	38	32180-030	1	Clip-Tie
24	2412-36	2	Clamp-Hose				

Variable Piston Pump Assembly No. 138-9132

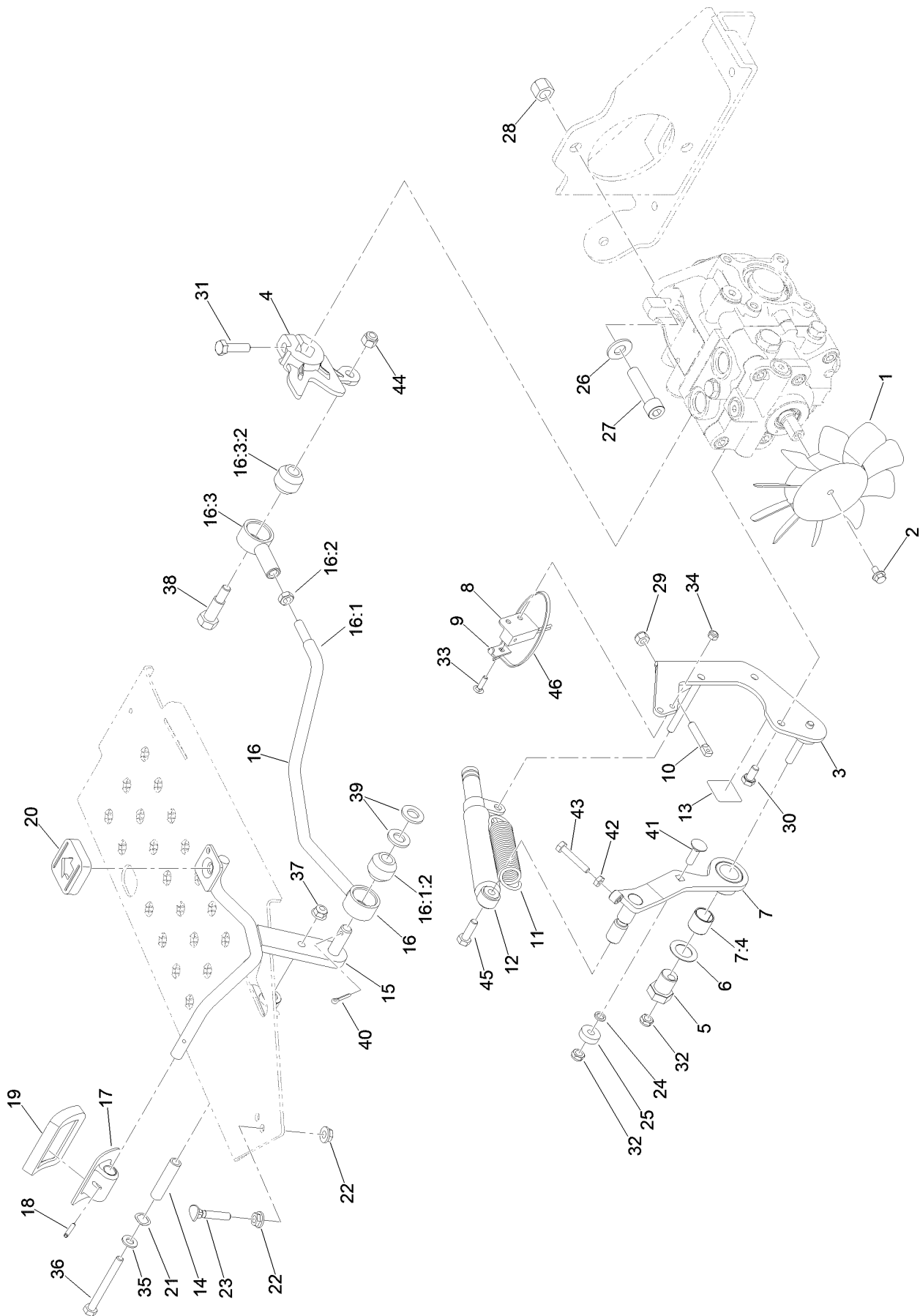


Variable Piston Pump Assembly No. 138-9132 (continued)

<i>Ref.</i>	<i>Part Number</i>	<i>Qty.</i>	<i>Description</i>	<i>Ref.</i>	<i>Part Number</i>	<i>Qty.</i>	<i>Description</i>
1	144-1389	1	Overhaul Seal Kit	11	136-1020	2	Ring-Retaining
1:1	136-1010	1	Seal Overhaul Kit	12	144-1390	1	Shaft
1:1:1	136-1021	1	Seal-Lip, Shaft	13	136-1017	1	Bearing-Ball
1:1:2	136-1023	1	Gasket-Cap, End	14	136-1018	1	Ring-Retaining
1:1:3	136-1031	1	O-Ring	15	136-1019	2	Ring-Retaining
1:1:4	136-1032	1	O-Ring	16	136-1021	1	Seal-Lip, Shaft
1:1:5		1	Seal-Lip, Journal Bearing ●	17	136-1027	5	Plug ASM
1:1:6		2	O-Ring, Journal Bearing ●	18	136-1030	1	Bearing-Journal
1:1:7		1	O Ring-Valve, Bypass ●	19	136-1029	1	Gerotor ASM
1:1:8		1	Ring-Back Up ●	20	136-1028	1	Plug ASM
1:1:9		1	O Ring-Valve, Bypass ●	20:1		1	O-Ring ●
1:1:10		2	O Ring-Plug ●	20:2		1	Plug ●
1:1:11		1	O Ring-Plug ●	21	136-1031	1	O-Ring
1:2	144-1385	1	Seal-Lip	22	136-1032	1	O-Ring
2	144-1384	1	Plate-Valve, CCW	23	136-1037	1	Bypass Valve ASM
3	136-1011	1	Cylinder Block Kit	23:1		1	O-Ring ●
4	136-1023	1	Gasket-Cap, End	23:2		1	Back Up Ring ●
5	136-1013	1	Plate-Thrust	23:3		1	O-Ring ●
6	136-1022	1	Bearing-Needle	23:4		1	Plug ●
7	136-1024	4	Pin	24	136-1025	2	Plug ASM
8	74-9450	3	Plug	24:1		1	O-Ring ●
9	136-1014	1	Journal Bearing Carrier ASM	24:2		1	Plug ●
9:1		1	O-Ring ●	25	136-1035	2	Spring
9:2		1	Seal-Lip ●	26	110-6343	1	Valve-Scr
9:3		1	Body ●	27	131-3800	1	Pin-Slotted
9:4		1	Race-Inner ●	28	136-1033	1	Cone-Valve, Relief
10	136-1015	1	Journal Bearing Carrier ASM	29	144-1387	1	Spring
10:1		1	O-Ring ●	30	144-1385	1	Seal-Lip
10:2		1	Body ●	31	144-1386	1	Ring-Retaining
10:3		1	Race-Inner ●	32	144-1388	1	Valve-Scr (230 Bar/3335 PSI)

● Not serviced separately

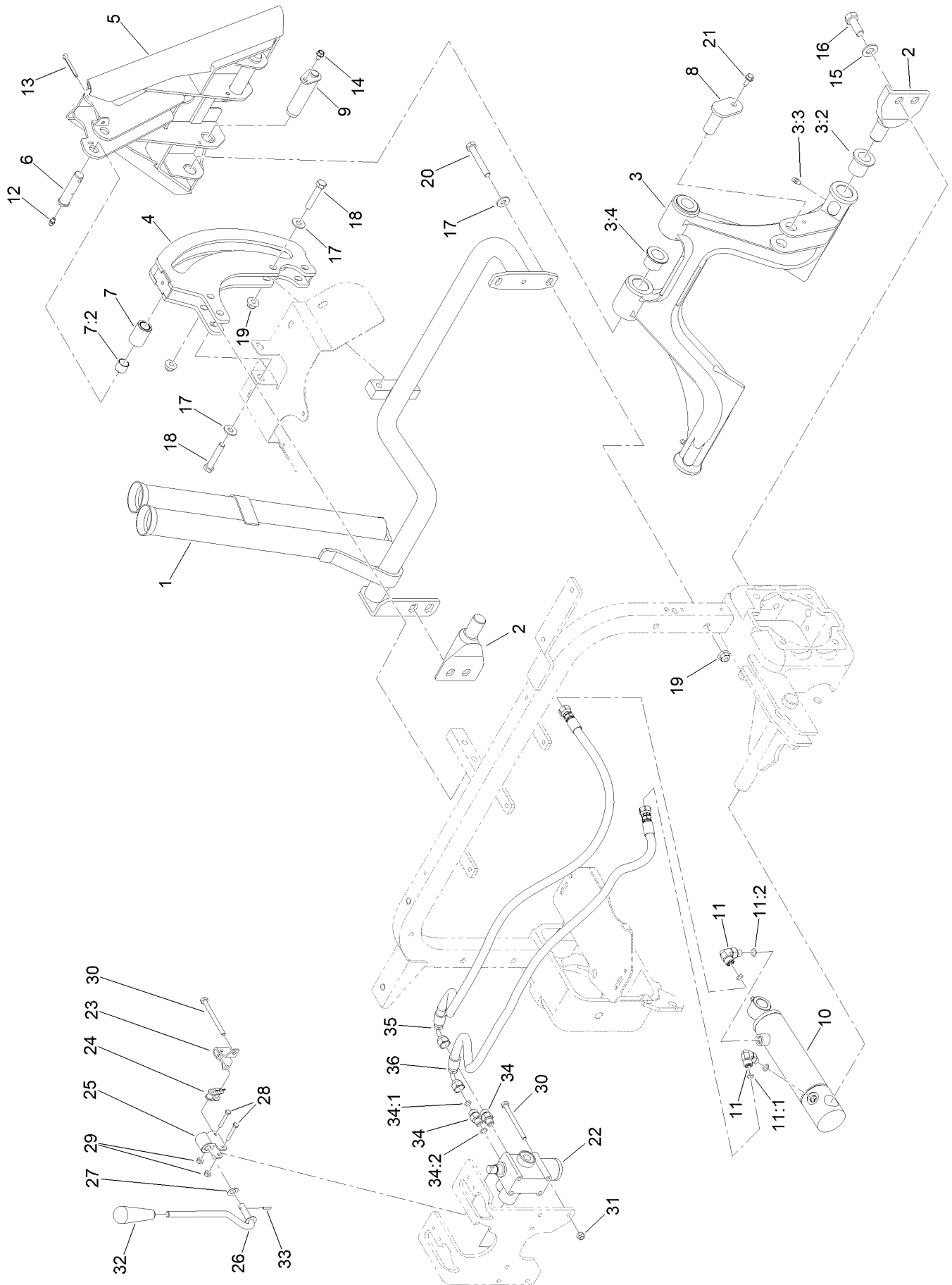
Traction Control Assembly



Traction Control Assembly (continued)

<i>Ref.</i>	<i>Part Number</i>	<i>Qty.</i>	<i>Description</i>	<i>Ref.</i>	<i>Part Number</i>	<i>Qty.</i>	<i>Description</i>
1	140-0258	1	Fan-Cooling, Pump	21	108473	1	Washer-Wave
2	120-4559	1	Screw-BHCS	22	32128-20	2	Nut-HF
3	140-0257-0P	1	Plate-Pump	23	17-9420	1	Screw-Handle
4	163-6565	1	Lever-Pump	24	75-5470	1	Spacer-Bearing
5	93-2111	1	Stud-Traction	25	251-259	1	Bearing-Ball
6	3-6498	1	Washer-Thrust	26	87-7270	2	Washer-Thrust
7	140-0291	1	Neutral Arm ASM	27	3274-5	2	Screw-HSH
7:4	94-9609	1	Bushing-Straight	28	3296-23	2	Nut-Lock, NI
8	120-6385	1	Sensor-Ferrous Proximity, No	29	3296-4	1	Nut-Lock
9	100-4872	1	Plate-Switch, Neutral	30	33114-016	3	Screw-HH
10	18-6380	1	Pin-Adjustment, Steering	31	323-9	1	Screw-HH
11	115-4712	1	Spring-Extension	32	3296-47	2	Nut-Lock,NI
12	140-6248	1	Damper	33	3229-20	1	Screw-CARR
13	93-9051	1	Decal-Bolt, Eccentric	34	3296-2	1	Nut-Lock, NI
14	85-8960	1	Spacer	35	3256-23	1	Washer-Plain
15	108-5498-01	1	Pedal	36	322-14	1	Screw-HH
16	117-9564	1	Traction Rod ASM	37	119-4041	1	Nut-HF
16:1	115-5626	1	Rod ASM	38	117-4698	1	Screw-Shoulder, HH
16:1:2	23-2270	1	Bushing-Rubber	39	106-9888	2	Washer-Flat
16:2	3220-3	1	Nut-HJ	40	3272-10	1	Pin-Cotter
16:3	115-5623	1	Isolated Rod End ASM	41	3230-2	1	Bolt-CARR
16:3:2	23-2270	1	Bushing-Rubber	42	3218-1	1	Nut-Jam
17	117-9507	1	Pedal-Accelerator	43	321-43	1	Capscrew
18	32121-45	1	Pin-Spring	44	3296-39	2	Nut-Lock, NI
19	74-9100	1	Pad-Pedal, Forward	45	116-0648	1	Screw-HH, Thd Lock
20	74-9110	1	Pad-Pedal, Reverse	46	3290-379	1	Tie-Cable

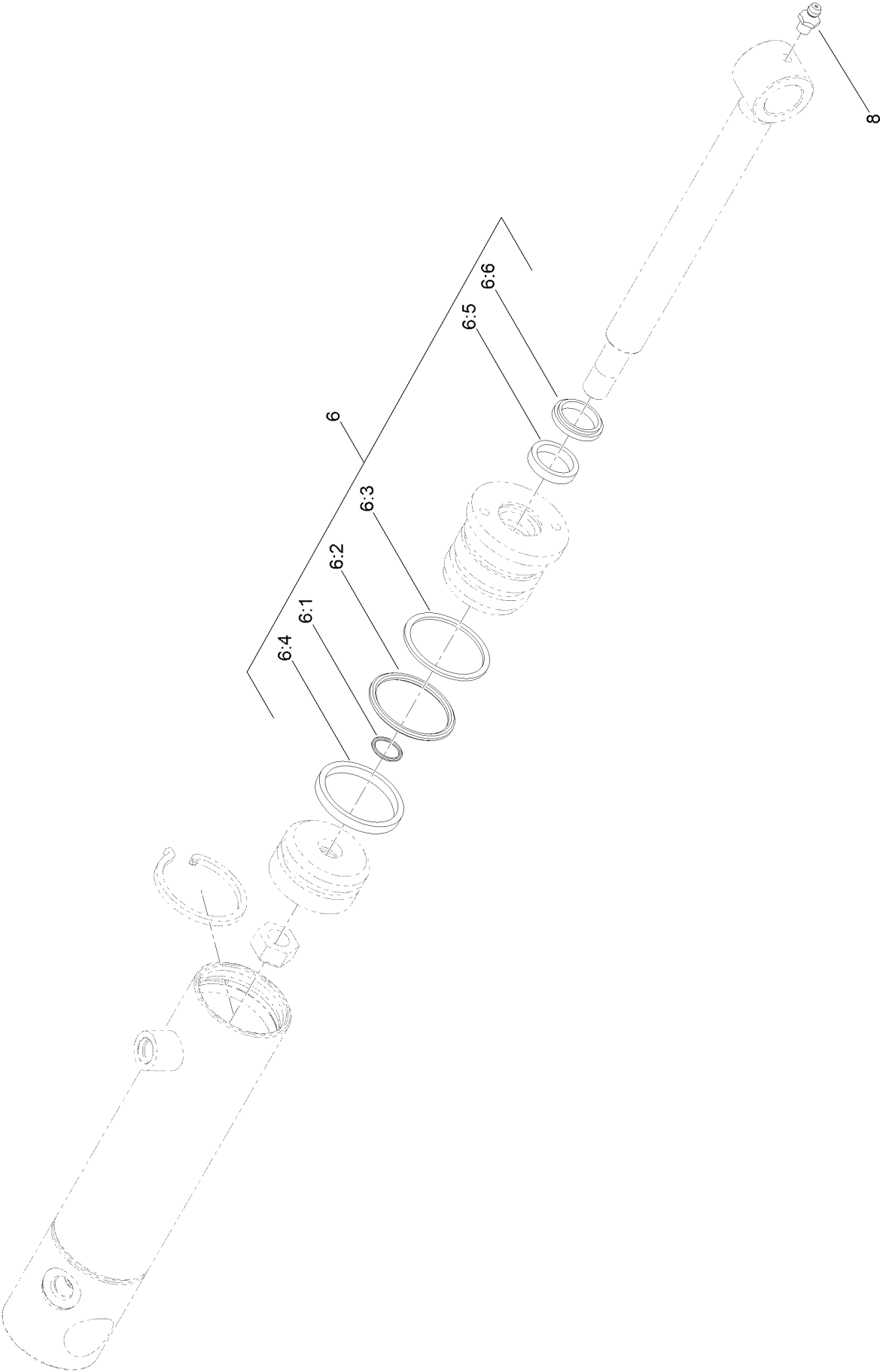
Rear Lift and Lift Circuit Assembly



Rear Lift and Lift Circuit Assembly (continued)

<i>Ref.</i>	<i>Part Number</i>	<i>Qty.</i>	<i>Description</i>	<i>Ref.</i>	<i>Part Number</i>	<i>Qty.</i>	<i>Description</i>
1	120-3465-03	1	Frame-Hitch	17	3256-3	6	Washer-Flat
2	115-5618	2	Pivot-Hub	18	323-10	4	Screw-HH
3	120-3457	1	Rear Hitch ASM	19	119-4042	6	Nut-HF, NI
3:2	95-3577	2	Bushing	20	323-12	2	Screw-HH
3:3	302-5	4	Fitting-Grease	21	32144-10	1	Screw-HWH
3:4	33-3090	4	Bushing	22	121-9070	1	Valve ASM
4	110-1368-03	1	Roller Plate ASM	23	88-8480	1	Bracket-Pivot
5	130-7879	1	Adapter Frame ASM	24	2710-20	1	Link-Offset
6	108-2282	1	Pin-Clevis	25	125-1944	1	Pivot-Hinge
7	108-5472	1	Tube ASM	26	108-7942	1	Lever-Rear
7:2	256-311	2	Bushing	27	3290-477	1	Washer-Curved
8	161-3217	1	Pin-Flag	28	3290-360	2	Screw-HH
9	138-6484	2	Pin .875 DIA. X 4.40 Lg.	29	3296-2	2	Nut-Lock, NI
10	115-5647	1	HYD Lift Cylinder ASM	30	321-23	3	Screw-HH
11	340-132	2	Fitting-Elbow, 90 DEG	31	3296-8	3	Nut-Hex
11:1	237-78	1	O-Ring	32	98-0152	1	Knob-Tapered
11:2	237-21	1	O-Ring	33	32121-73	1	Pin-Roll
12	302-5	1	Fitting-Grease	34	340-92	2	Fitting-Straight
13	3272-23	1	Pin-Cotter	34:1	237-78	1	O-Ring
14	137-4795	2	Screw	34:2	237-21	1	O-Ring
15	3256-26	4	Washer-Flat	35	95-8837	1	Hose ASM
16	325-5	4	Screw-HH	36	100-3833	1	Hose-HYD

Hydraulic Lift Cylinder Assembly No. 115-5647

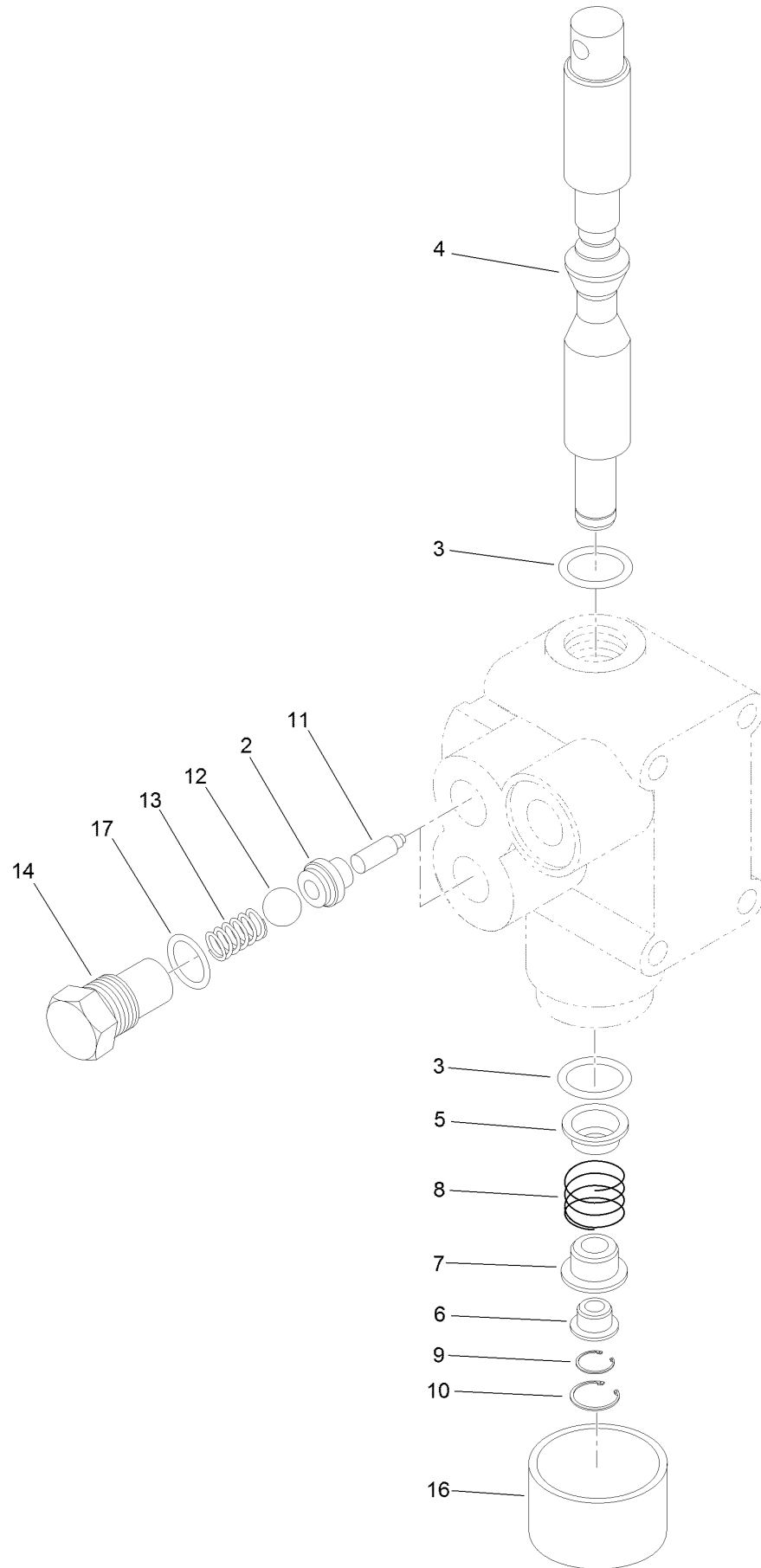


Hydraulic Lift Cylinder Assembly No. 115-5647 (continued)

<i>Ref.</i>	<i>Part Number</i>	<i>Qty.</i>	<i>Description</i>	<i>Ref.</i>	<i>Part Number</i>	<i>Qty.</i>	<i>Description</i>
6	108-4597	1	Seal Kit	6:4		1	Seal-Psp ●
6:1		1	O-Ring ●	6:5		1	Seal-Rod ●
6:2		1	O-Ring ●	6:6		1	Seal-Dust ●
6:3		1	Ring-Back Up ●	8	302-5	1	Fitting-Grease

● Not serviced separately

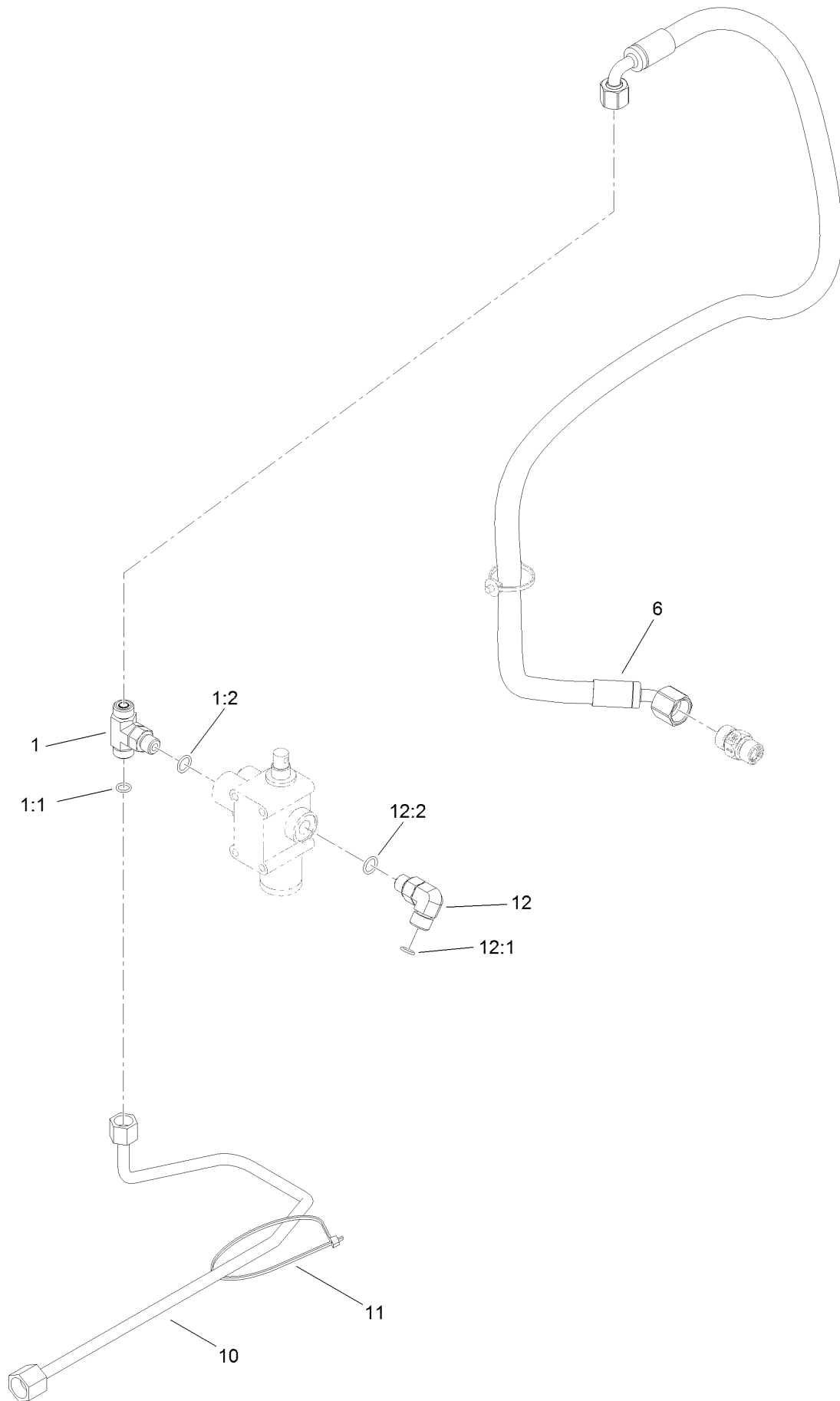
Hydraulic Valve Assembly No. 121-9070



Hydraulic Valve Assembly No. 121-9070 (continued)

<i>Ref.</i>	<i>Part Number</i>	<i>Qty.</i>	<i>Description</i>	<i>Ref.</i>	<i>Part Number</i>	<i>Qty.</i>	<i>Description</i>
2	22-8370	2	Seat-Valve	10	22-8490	1	Ring-Snap
3	22-8500	2	O-Ring	11	22-8360	2	Pin
4	22-8420	1	Spool	12	22-8350	2	Ball
5	22-8380	1	Retainer	13	22-8340	2	Spring
6	22-8400	1	Spacer	14	22-8330	2	Plug
7	22-8390	1	Retainer	16	138-2229	1	Cap
8	22-8410	1	Spring	17	237-42	2	O-Ring
9	22-8480	1	Ring-Snap				

Lift Hydraulic Routing Assembly

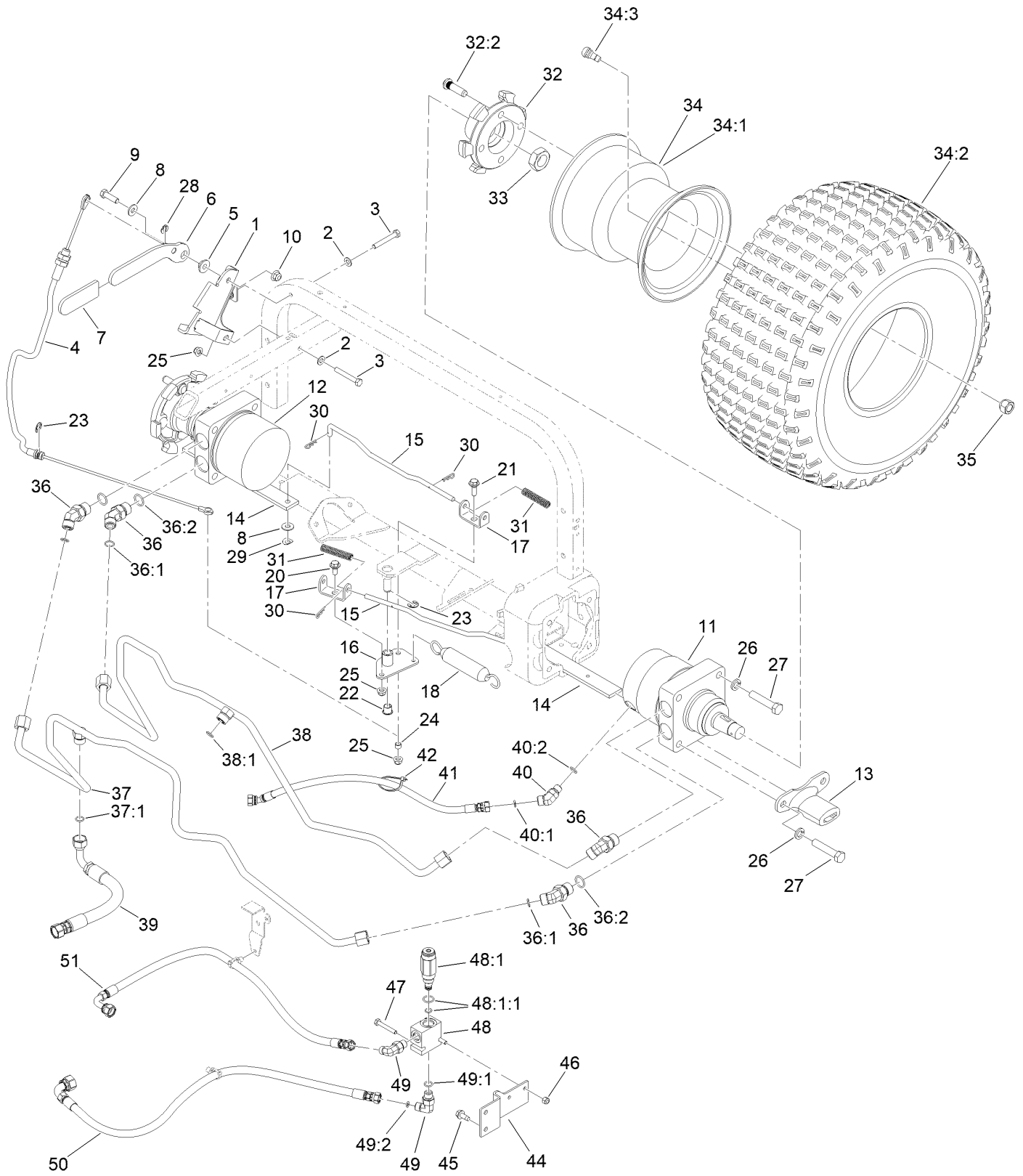


Lift Hydraulic Routing Assembly (continued)

<i>Ref.</i>	<i>Part Number</i>	<i>Qty.</i>	<i>Description</i>
1	340-94	1	Adapter
1:1	237-22	2	O-Ring
1:2	237-42	1	O-Ring
6	144-1367	1	HYD Hose ASM
10	140-0271	1	Hydraulic Tube ASM

<i>Ref.</i>	<i>Part Number</i>	<i>Qty.</i>	<i>Description</i>
11	3290-379	1	Tie-Cable
12	340-77	1	Fitting-Elbow, 90 DEG
12:1	237-22	1	O-Ring
12:2	237-42	1	O-Ring

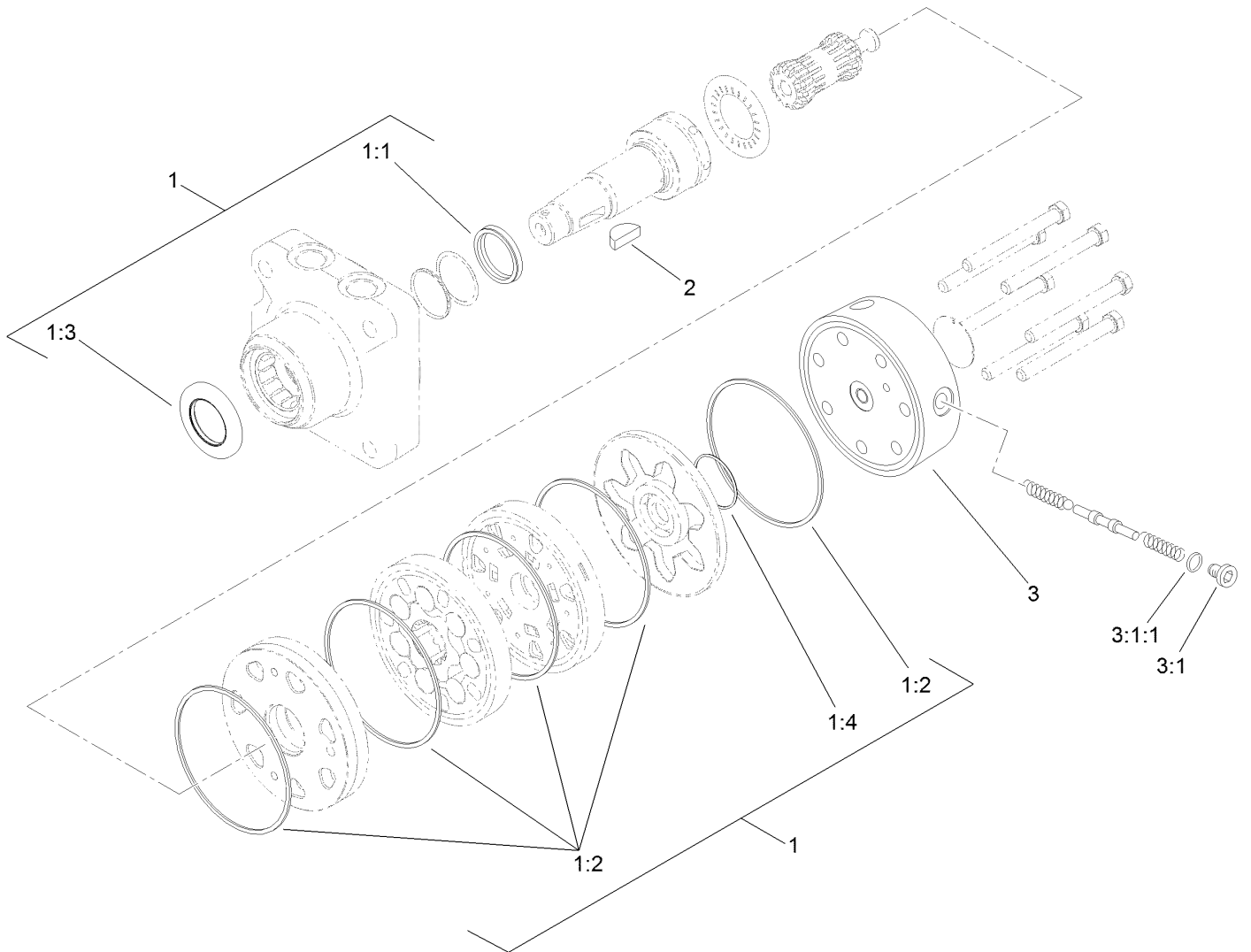
Rear Wheel Assembly



Rear Wheel Assembly (continued)

<i>Ref.</i>	<i>Part Number</i>	<i>Qty.</i>	<i>Description</i>	<i>Ref.</i>	<i>Part Number</i>	<i>Qty.</i>	<i>Description</i>
1	121-2520	1	Bracket-Lever, Brake	33	26-3790	2	Nut-Lock
2	3256-23	2	Washer-Plain	34	147-3670	2	Wheel And Tire ASM
3	322-11	2	Screw-HH	34:1	114-4643	1	Wheel
4	108-7913	1	Cable-Brake, Park	34:2	147-3671	1	Tire
5	108-7994	1	Bushing-Pivot, Lever	34:3	5108	1	Valve
6	108-7991-03	1	Lever-Brake	35	139-2564	8	Nut-Lug
7	21-1880	1	Grip-Handle	36	340-89	4	Fitting-HYD, 45 DEG
8	3256-3	3	Washer-Flat	36:1	237-30	1	O-Ring
9	323-7	1	Screw-HH	36:2	237-80	1	O-Ring
10	119-4042	1	Nut-HF, NI	37	108-8406	1	Tube ASM
11	108-2947	1	HYD Motor ASM (CCW)	37:1	237-30	1	O-Ring
12	108-2949	1	HYD Motor ASM (CW)	38	110-1323	1	Tube ASM
13	125-1967	2	Bracket-Brake, Park	38:1	237-30	1	O-Ring
14	108-7986-0P	2	Bar-Latch, Parking	39	110-1322	1	HYD Hose ASM
15	108-7987	2	Link-Latch, Parking	40	340-87	1	Fitting-Elbow, 45 DEG
16	108-7979-0P	1	Bellcrank	40:1	237-22	1	O-Ring
17	114-0631	2	Clevis-Latch, Parking	40:2	237-42	1	O-Ring
18	66-4270	1	Spring-Extension	41	140-0269	1	HYD Hose ASM
20	19-1470	1	Screw-Shoulder	42	3290-379	1	Tie-Cable
21	19-1471	1	Screw-Shoulder	44	108-8460-01	1	Bracket-Valve
22	256-257	2	Bushing-Nyliner	45	32144-11	2	Screw-HWH
23	32120-47	2	Ring-Retaining, External	46	3296-42	2	Nut-Lock, NI
24	108-7983	1	Bushing-Cable	47	321-10	2	Screw-HH
25	119-4041	4	Nut-HF	48	144-1391	1	Valve-Relief
26	3253-7	8	Washer-Lock	48:1	144-1398	1	Valve-Relief
27	325-10	8	Screw-HH	48:1:1	105-9156	1	Seal Kit
28	32151-47	1	Ring-Retaining	49	340-82	2	Fitting-Elbow, 90 DEG
29	121-4605	2	Washer-Spring	49:1	237-42	1	O-Ring
30	3290-307	4	Pin-Cotter	49:2	237-21	1	O-Ring
31	107-3376	2	Spring-Compression	50	163-2551	1	HYD Hose ASM
32	144-1373	2	Wheel Hub ASM	51	144-1395	1	HYD Hose ASM
32:2	10-6830	4	Stud-Type, Drive				

Hydraulic Motor Assembly No. 108-2947

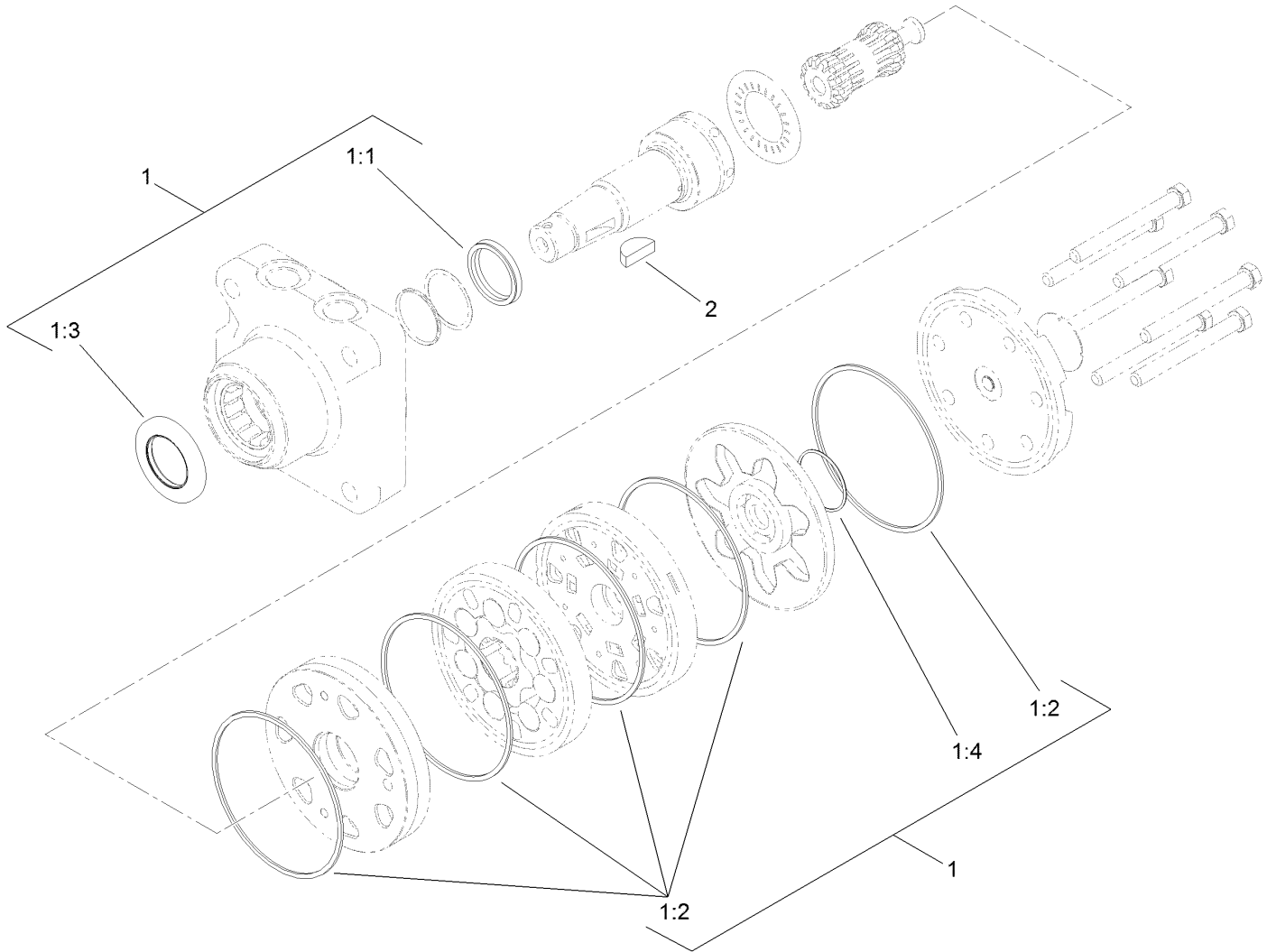


Hydraulic Motor Assembly No. 108-2947 (continued)

<i>Ref.</i>	<i>Part Number</i>	<i>Qty.</i>	<i>Description</i>	<i>Ref.</i>	<i>Part Number</i>	<i>Qty.</i>	<i>Description</i>
1	110-6459	1	Seal Kit	2	3257-42	1	Key-Woodruff
1:1		1	Seal-Shaft ●	3	110-3381	1	End Cover ASM
1:2		5	Seal-Body ●	3:1	353-990	1	Plug ASM
1:3		1	Seal-Dirt/Water ●	3:1:1	237-78	1	O-Ring
1:4		1	Seal-Commutator ●				

● Not serviced separately

Hydraulic Motor Assembly No. 108-2949



Hydraulic Motor Assembly No. 108-2949 (continued)

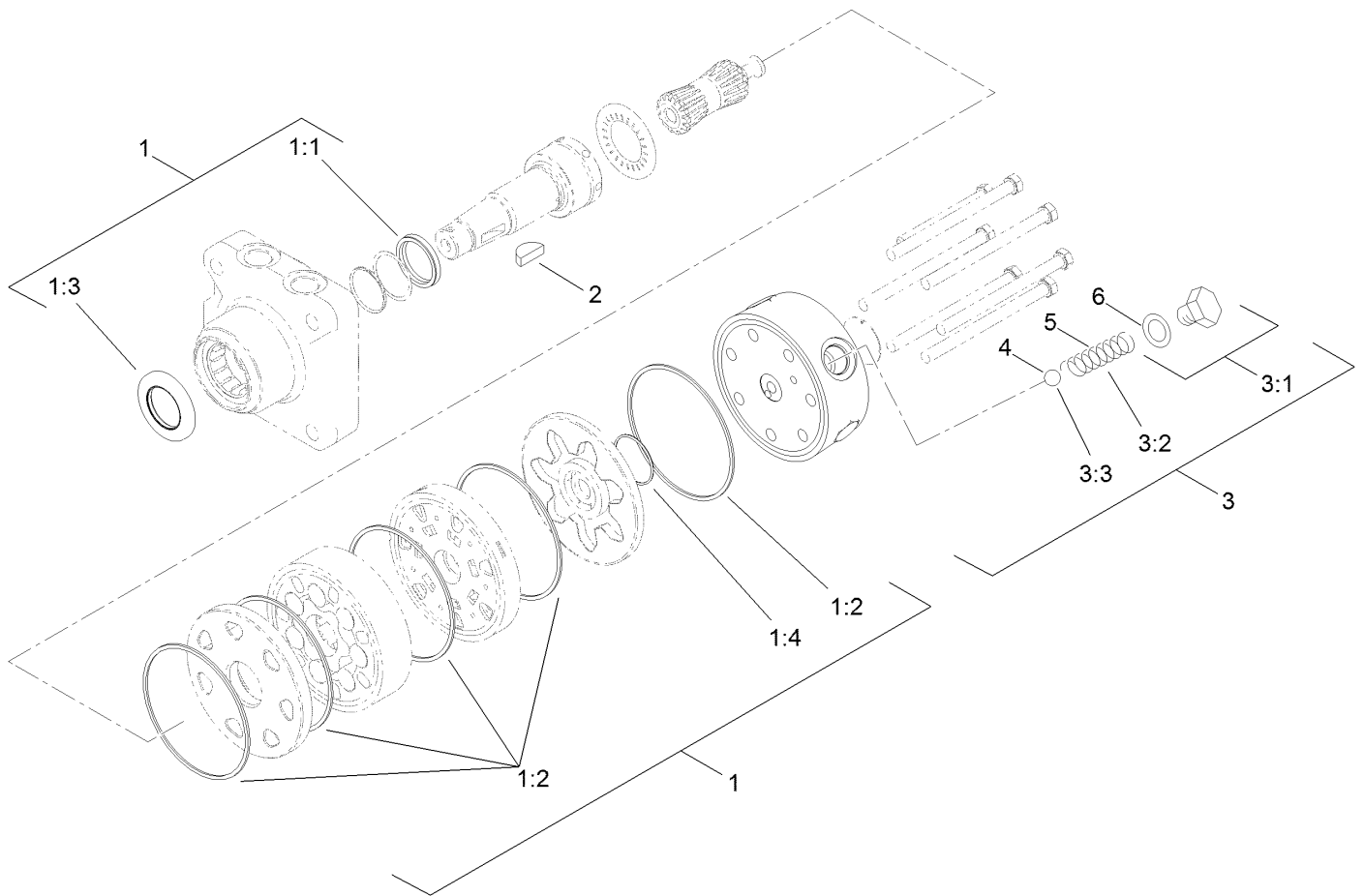
<i>Ref.</i>	<i>Part Number</i>	<i>Qty.</i>	<i>Description</i>	<i>Ref.</i>	<i>Part Number</i>	<i>Qty.</i>	<i>Description</i>
1	110-6459	1	Seal Kit	1:3		1	Seal-Dirt/Water ●
1:1		1	Seal-Shaft ●	1:4		1	Seal-Commutator ●
1:2		5	Seal-Body ●	2	3257-42	1	Key-Woodruff

● Not serviced separately

Front Wheel Assembly (continued)

<i>Ref.</i>	<i>Part Number</i>	<i>Qty.</i>	<i>Description</i>	<i>Ref.</i>	<i>Part Number</i>	<i>Qty.</i>	<i>Description</i>
1	108-2948	1	HYD Motor ASM (CW)	21	108-8433	1	HYD Hose ASM
2	144-1381	1	Front Wheel Hub ASM	22	110-6303	1	HYD Hose ASM
2:2	10-6830	4	Stud-Type, Drive	23	140-0315	1	Hydraulic Tube ASM
3	26-3790	1	Nut-Lock	23:1	237-30	1	O-Ring
4	110-6314	1	Spindle	24	108-8411	1	Tube ASM
5	147-3670	1	Wheel And Tire ASM	24:1	237-30	2	O-Ring
5:1	114-4643	1	Wheel	25	340-104	1	Fitting-Tee
5:2	147-3671	1	Tire	25:1	237-30	2	O-Ring
5:3	5108	1	Valve	26	140-0323	1	HYD Hose ASM
6	139-2564	4	Nut-Lug	27	144-1393	1	HYD Hose ASM
12	85-8950	1	Flangette-Standard	28	108-8455-01	1	Bracket-Clamp
13	251-352	1	Bearing	29	56-7976	2	Clamp-Tube
14	85-8940	1	Flangette-Relube	30	32144-14	2	Screw-HWHTF
14:1	302-5	1	Fitting-Grease	31	3230-6	1	Bolt-CARR
15	88-8350	1	Tab-Bearing	32	69-9760	1	Plate-Cover
16	323-8	3	Screw-HH	33	3296-29	1	Nut-Lock, NI
17	119-4042	3	Nut-HF, NI	34	108-8432	1	Tube ASM
18	3274-74	2	Screw-HSH	34:1	237-30	1	O-Ring
20	340-89	2	Fitting-HYD, 45 DEG	35	108-8431	1	Tube ASM
20:1	237-30	1	O-Ring	35:1	237-30	1	O-Ring
20:2	237-80	1	O-Ring	36	3296-23	2	Nut-Lock, NI

Hydraulic Motor Assembly No. 108-2948

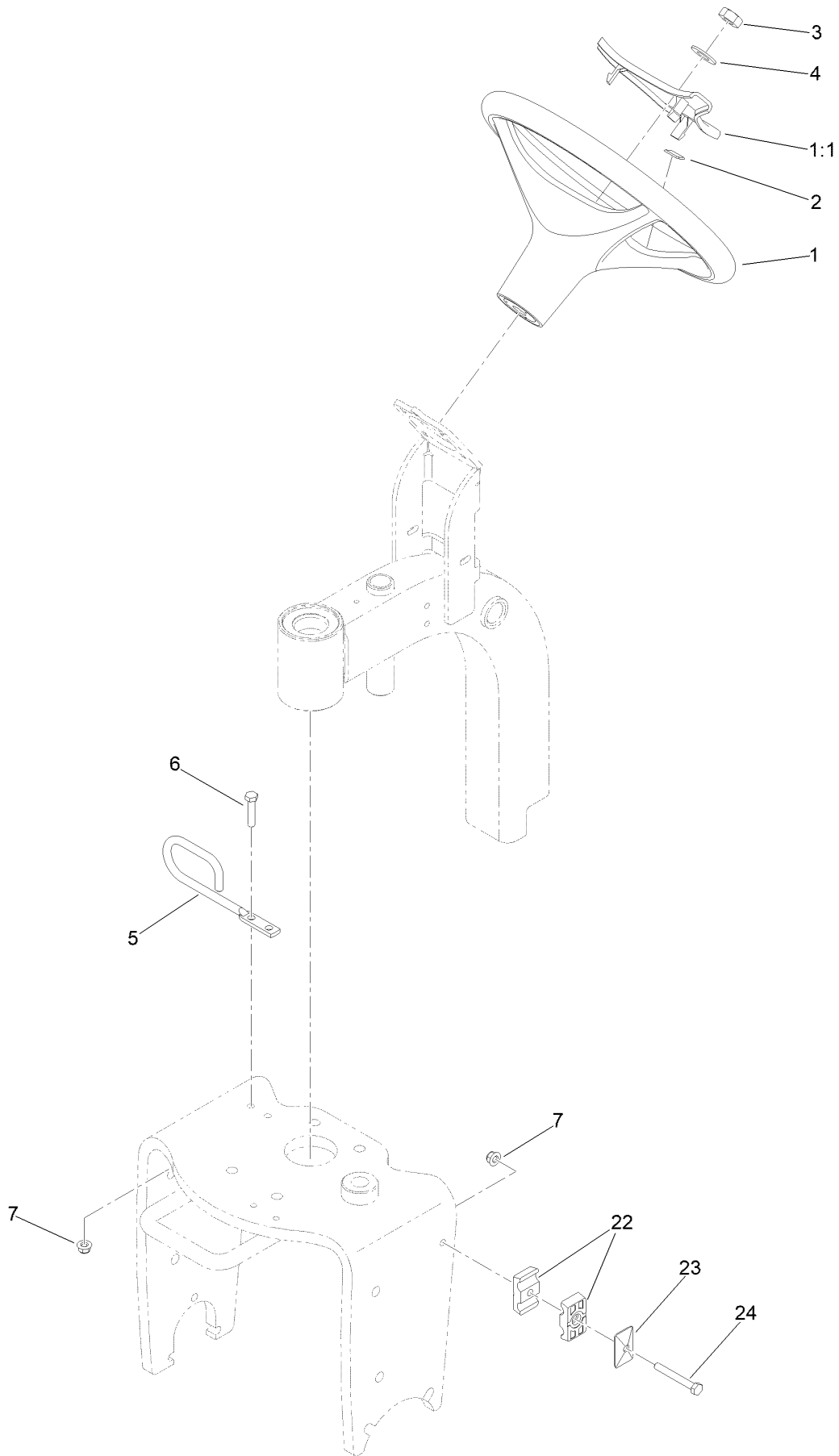


Hydraulic Motor Assembly No. 108-2948 (continued)

<i>Ref.</i>	<i>Part Number</i>	<i>Qty.</i>	<i>Description</i>	<i>Ref.</i>	<i>Part Number</i>	<i>Qty.</i>	<i>Description</i>
1	110-6459	1	Seal Kit	3:1		1	Spring Cap And O-Ring ASM ●
1:1		1	Seal-Shaft ●	3:2	99-3541	1	Spring
1:2		5	Seal-Body ●	3:3	99-3540	1	Ball
1:3		1	Seal-Dirt/Water ●	4	99-3540	1	Ball
1:4		1	Seal-Commutator ●	5	99-3541	1	Spring
2	3257-42	1	Key-Woodruff	6	132-4421	1	O-Ring
3	99-3538	1	End Cover ASM				

● Not serviced separately

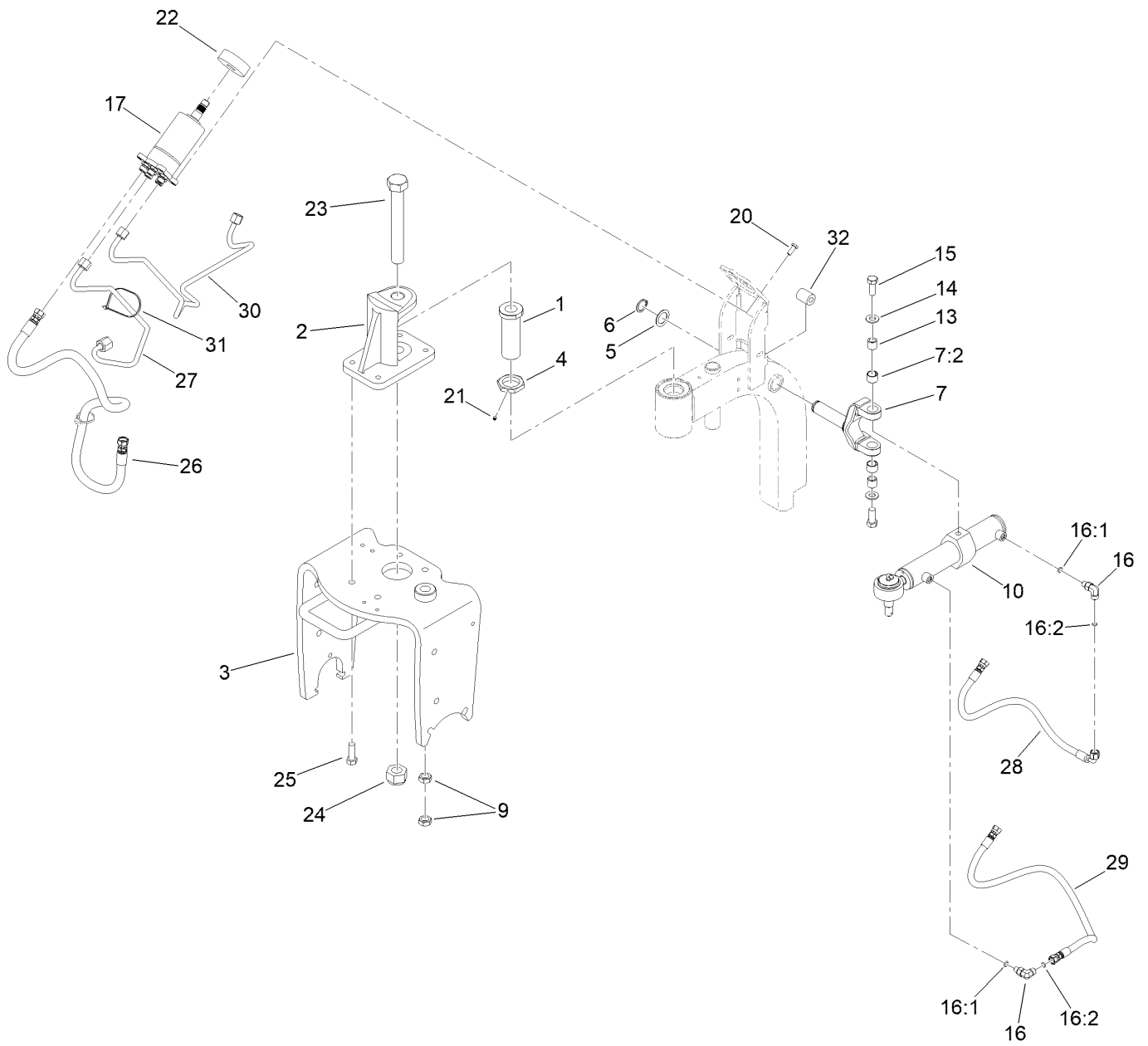
Steering Assembly



Steering Assembly (continued)

<i>Ref.</i>	<i>Part Number</i>	<i>Qty.</i>	<i>Description</i>	<i>Ref.</i>	<i>Part Number</i>	<i>Qty.</i>	<i>Description</i>
1	98-1471	1	Wheel-Steering	6	322-7	2	Screw-HH
1:1	98-1468	1	Cover-Wheel, Steering	7	119-4041	3	Nut-HF
2	98-1459	1	Decal	22	56-7976	2	Clamp-Tube
3	3296-33	1	Nut-Lock, NI	23	69-9760	1	Plate-Cover
4	3256-27	1	Washer-Flat	24	322-12	1	Screw-HH
5	138-9139	1	Guide-Hose				

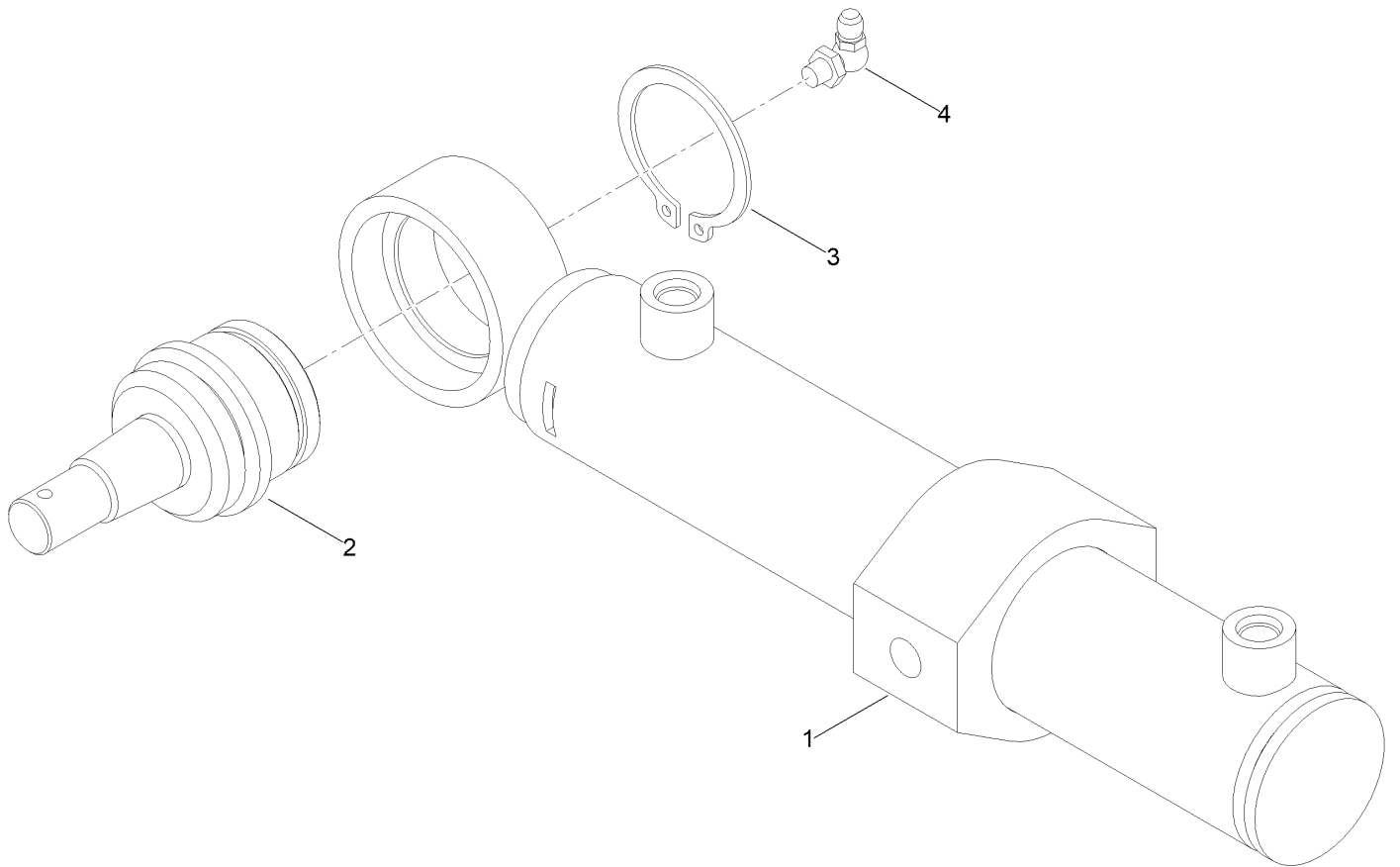
Steering Hydraulics Assembly



Steering Hydraulics Assembly (continued)

<i>Ref.</i>	<i>Part Number</i>	<i>Qty.</i>	<i>Description</i>	<i>Ref.</i>	<i>Part Number</i>	<i>Qty.</i>	<i>Description</i>
1	108-8470	1	Sleeve-Steering	16:2	237-21	1	O-Ring
2	108-5431	1	Pivot-Steering	17	138-9133	1	Pump-Steering Unit
3	144-7076-01	1	Fork-Caster	20	33114-020	4	Screw-HH
4	108-8471	1	Nut-Steering	21	3245-1	1	Screw-Set, HSH
5	1-543436	1	Washer-Spacer	22	108-7998	1	Collar-Foam
6	32151-36	1	Ring-Retaining	23	3216-16	1	Screw-HH
7	108-8481	1	Yoke And Bushing ASM	24	104-2024	1	Nut-Hex, NI
7:2	108-8482	2	Bushing-Sleeve	25	325-6	4	Screw-HH
9	3220-6	2	Nut-Jam	26	140-0317	1	HYD Hose ASM
10	163-6564	1	Cylinder ASM	27	140-0270	1	Hydraulic Tube ASM
13	108-8483	2	Spacer-Plain	28	105-4347	1	Hose-HYD
14	3256-26	2	Washer-Flat	29	108-6508	1	Hose-HYD
15	3213-2	2	Screw-HH	30	108-8415	1	Tube ASM
16	340-132	2	Fitting-Elbow, 90 DEG	31	3290-379	2	Tie-Cable
16:1	237-78	1	O-Ring	32	38-3400	2	Guard-Rubber

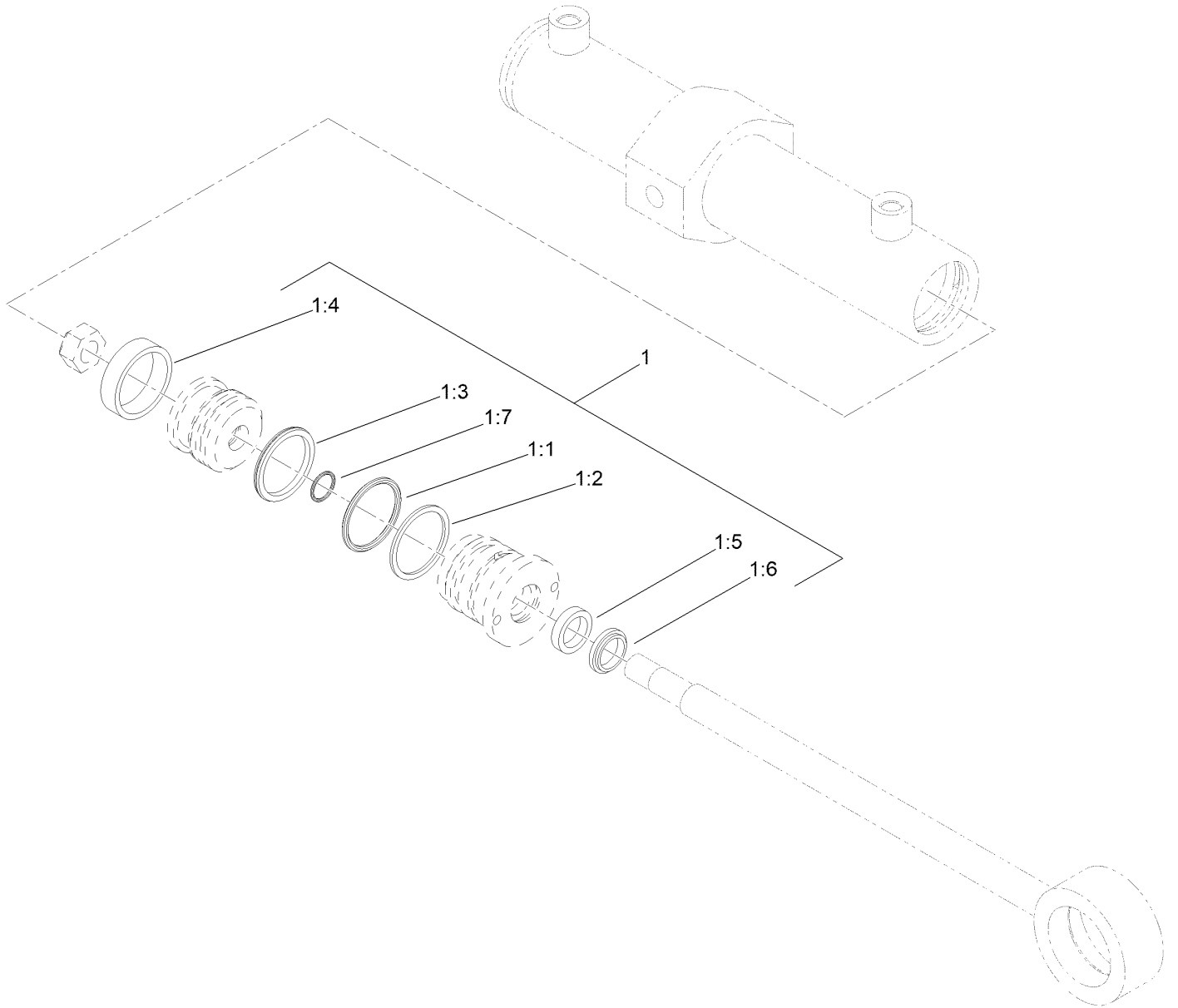
Hydraulic Cylinder Assembly No. 163-6564



Hydraulic Cylinder Assembly No. 163-6564 (continued)

<i>Ref.</i>	<i>Part Number</i>	<i>Qty.</i>	<i>Description</i>	<i>Ref.</i>	<i>Part Number</i>	<i>Qty.</i>	<i>Description</i>
1	114-0620	1	Hydraulic Cylinder ASM	3	32151-104	1	Ring-Retaining, External
2	106-6774	1	Joint-Ball	4	302-40	1	Fitting-Grease, 90 DEG

Hydraulic Cylinder Assembly No. 114-0620

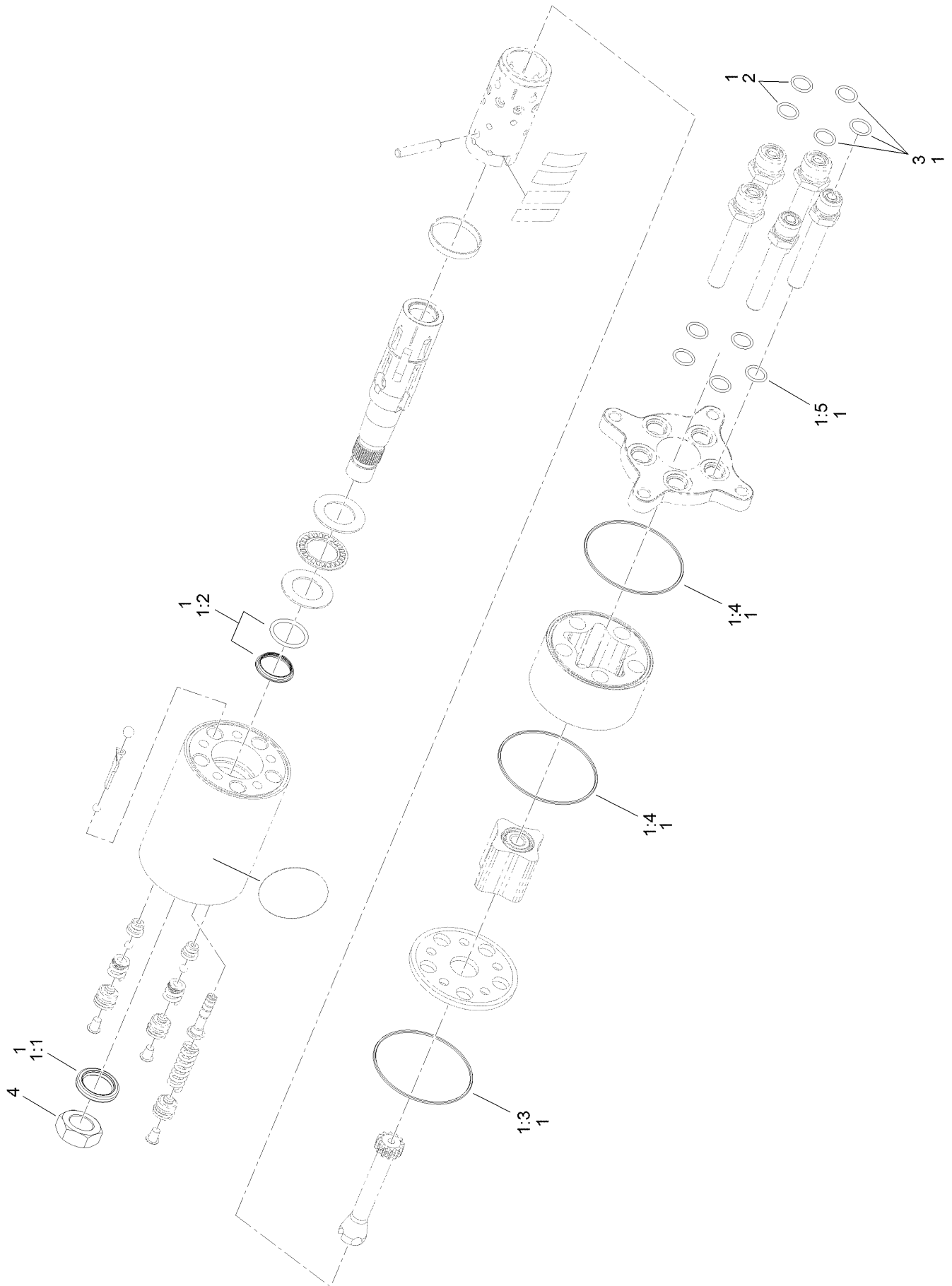


Hydraulic Cylinder Assembly No. 114-0620 (continued)

<i>Ref.</i>	<i>Part Number</i>	<i>Qty.</i>	<i>Description</i>	<i>Ref.</i>	<i>Part Number</i>	<i>Qty.</i>	<i>Description</i>
1	114-0622	1	Seal Kit	1:4		1	Wear Ring ●
1:1		1	O-Ring ●	1:5		1	Bs Seal ●
1:2		1	Backup ●	1:6		1	Dust Seal ●
1:3		1	Bp Seal ●	1:7		1	O-Ring ●

● Not serviced separately

Hydraulic Steering Pump No. 138-9133



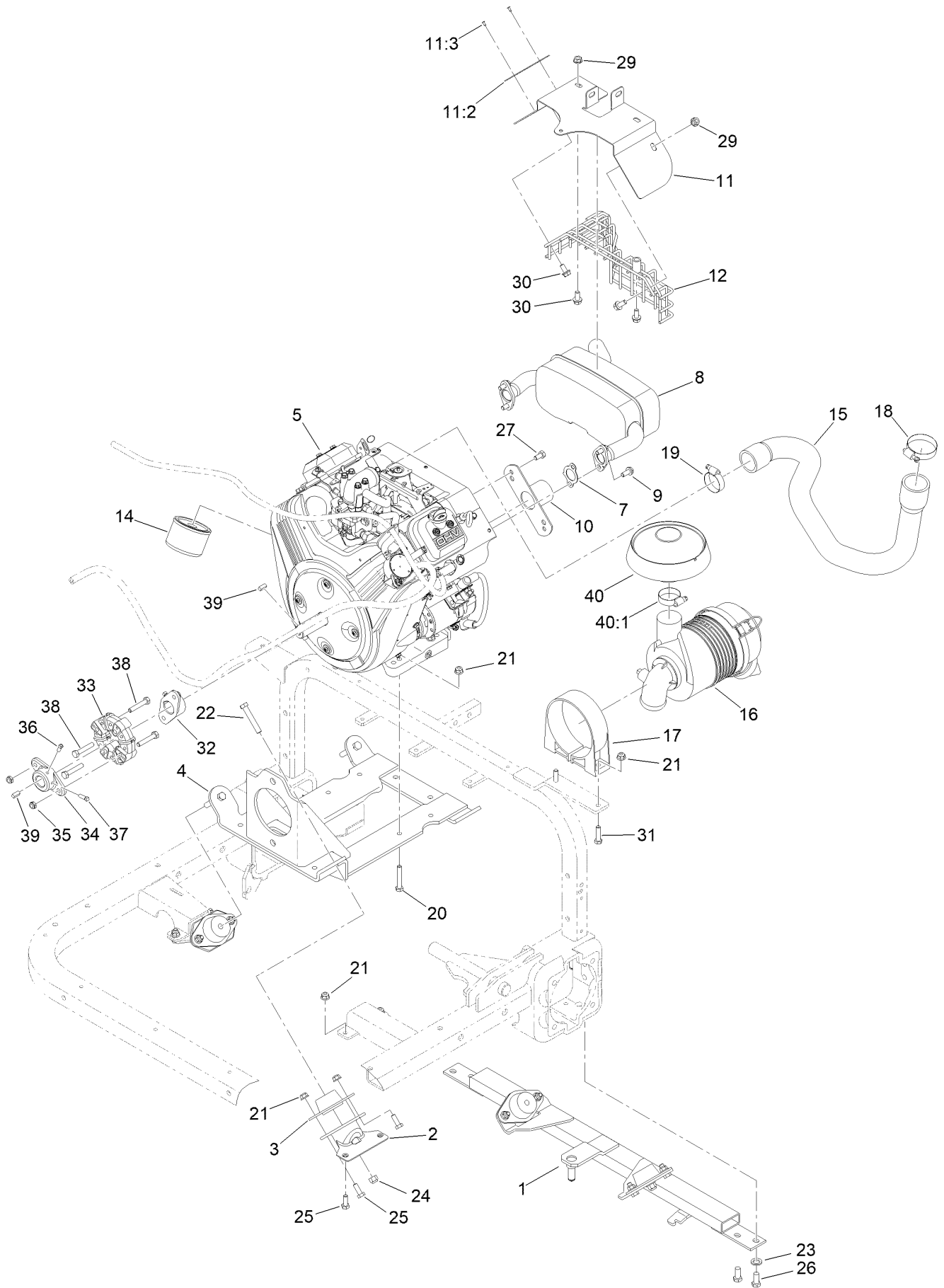
Hydraulic Steering Pump No. 138-9133 (continued)

<i>Ref.</i>	<i>Part Number</i>	<i>Qty.</i>	<i>Description</i>	<i>Ref.</i>	<i>Part Number</i>	<i>Qty.</i>	<i>Description</i>
1	106-6716	1	Seal Kit ●	1:5		5	O-Ring ■
1:1		1	Ring-Seal, Dust ■	2	237-21	2	O-Ring
1:2		1	Seal-Shaft ■	3	237-22	3	O-Ring
1:3		1	O-Ring ■	4	3296-33	1	Nut-Lock, NI
1:4		2	O-Ring ■				

● Not illustrated

■ Not serviced separately

Engine Installation Assembly

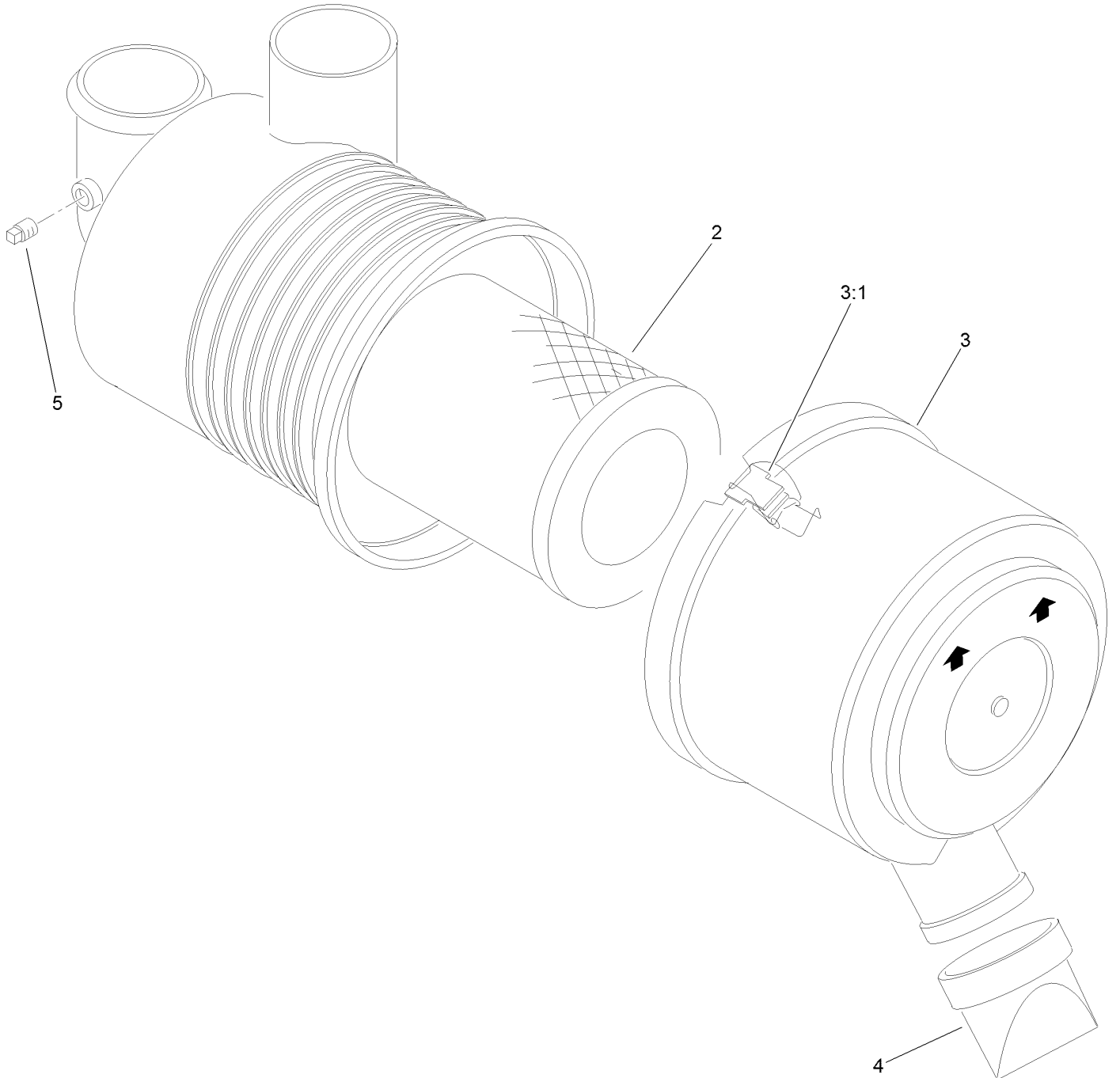


Engine Installation Assembly (continued)

<i>Ref.</i>	<i>Part Number</i>	<i>Qty.</i>	<i>Description</i>	<i>Ref.</i>	<i>Part Number</i>	<i>Qty.</i>	<i>Description</i>
1	120-3461-01	1	Mount-Engine	21	119-4041	18	Nut-HF
2	125-1954	2	Mount-Front	22	323-11	4	Screw-HH
3	121-9076	4	Mount-Engine	23	3256-24	4	Washer-Plain
4	108-2809-0P	1	Support-Engine	24	119-4042	4	Nut-HF, NI
5	140-0283	1	Engine ●	25	322-4	12	Screw-HH
7	94-3449	2	Gasket-Manifold, Exhaust	26	323-5	4	Screw-HH
8	120-3476	1	Muffler-Dual Inlet	27	3210-2	2	Screw-HH
9	94-5300	4	Screw-HHF	29	32128-25	4	Nut-HF
10	95-0632-03	1	Cover	30	3234-14	4	Screw-HHF
11	119-7191	1	Muffler Shield ASM	31	322-6	2	Screw-HH
11:2	95-0645	1	Plate-Surface, Hot	32	110-5236	1	Hub-Engine
11:3	3269-32	2	Rivet-Pop	33	119-0652	1	Coupler-Rubber
12	110-6348-03	1	Shield-Exhaust	34	110-5227	1	Hub-Pump
14	107-7817	1	Filter-Oil, Engine	35	3296-47	4	Nut-Lock,NI
15	117-9576	1	Hose-Air	36	3241-7	2	Screw-Set,Sqhd
16	93-2190	1	Air Cleaner ASM	37	3241-6	2	Screw-SQH
17	95-5806	1	Bracket-Mounting, Air Cleaner	38	322-9	4	Screw-HH
18	2412-92	1	Clamp-Hose	39	85-9020	2	Key-Square
19	2412-3	1	Clamp-Hose	40	136-7859	1	Rain Cap Kit
20	322-10	4	Screw-HH	40:1	1-643009	1	Clamp-Hose

● Obtain parts from www.briggsandstratton.com

Air Cleaner Assembly No. 93-2190

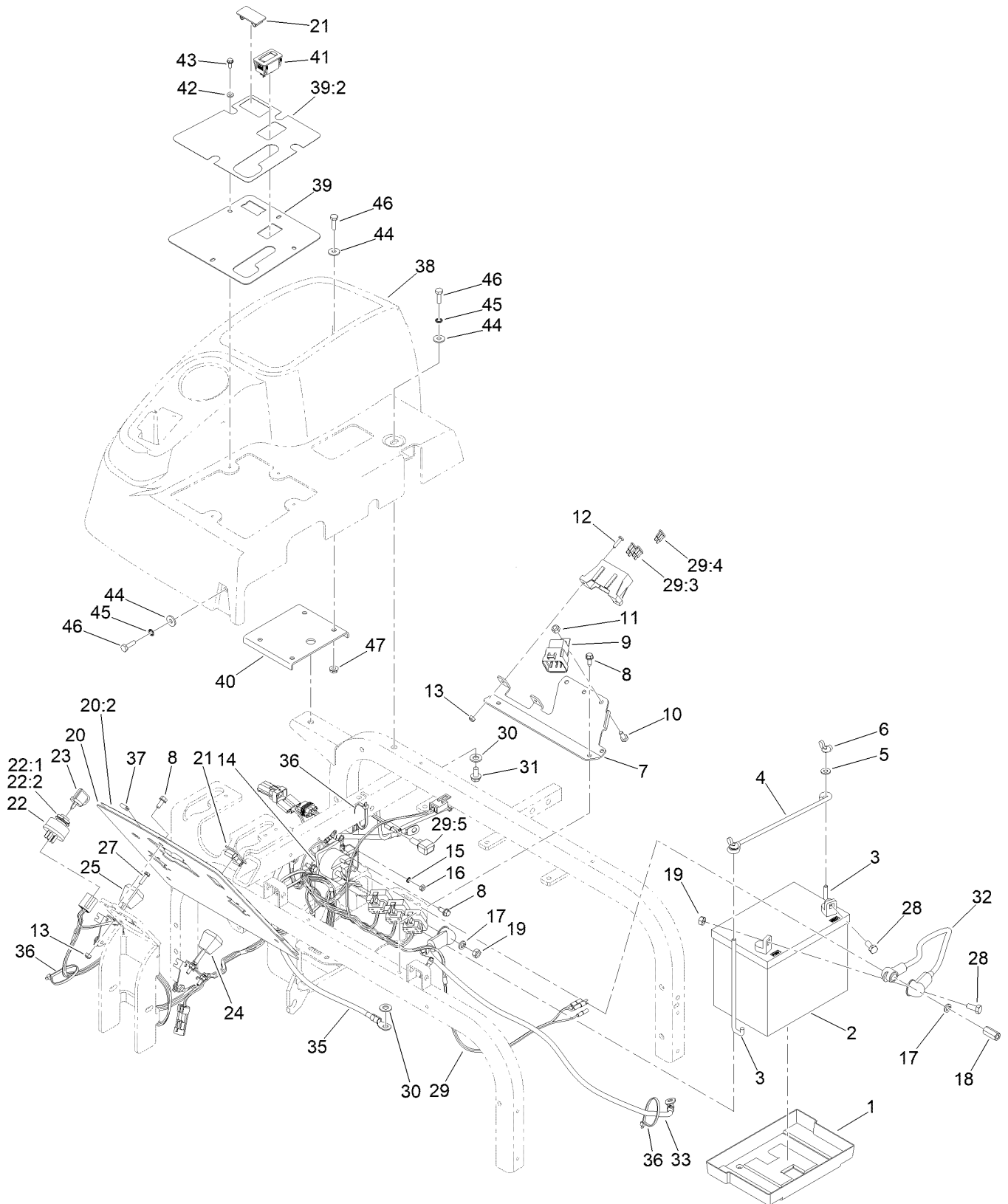


Air Cleaner Assembly No. 93-2190 (continued)

<i>Ref.</i>	<i>Part Number</i>	<i>Qty.</i>	<i>Description</i>
2	108-3811	1	Filter-Air V-Twin HD
3	94-3652	1	Cover ASM
3:1	1-643283	2	Latch-Cleaner, Air

<i>Ref.</i>	<i>Part Number</i>	<i>Qty.</i>	<i>Description</i>
4	87-9400	1	Valve-Vacuator
5	285-17	1	Plug-Pipe

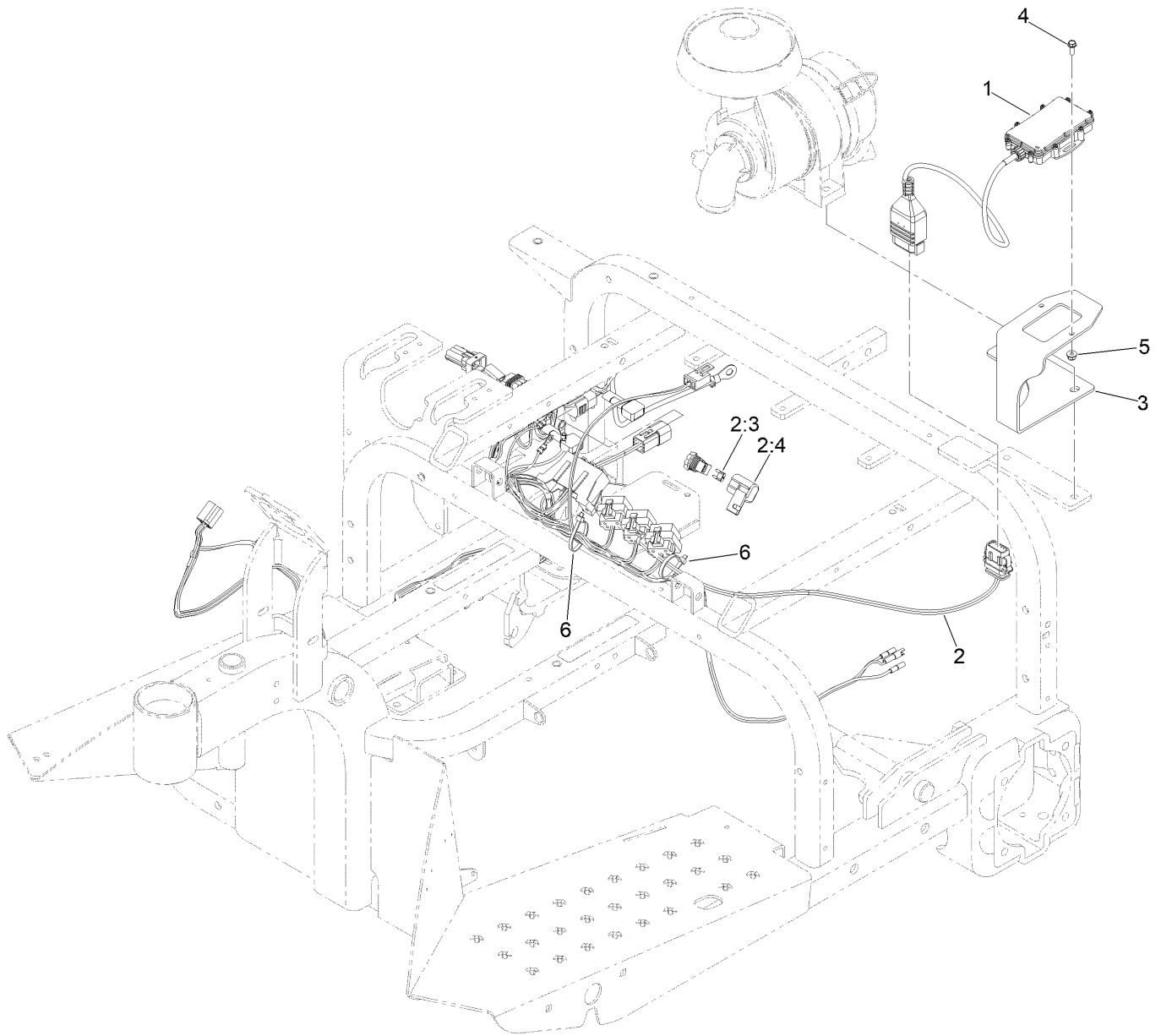
Electrical and Console Assembly



Electrical and Console Assembly (continued)

<i>Ref.</i>	<i>Part Number</i>	<i>Qty.</i>	<i>Description</i>	<i>Ref.</i>	<i>Part Number</i>	<i>Qty.</i>	<i>Description</i>
1	106948	1	Tray-Battery	24	119-7178	1	Choke Cable ASM
2	99-7421	1	Battery- Wet, 12V, 300 CCA	25	147-3652	1	Cable ASM
3	100-6435	2	Post-Battery	27	32105-13	4	Screw-HWH
4	100-6434	1	Rod-Hold Down, Battery	28	322-3	2	Screw-HH
5	3256-22	2	Washer-Flat	29	122-1403	1	Harness-Wire
6	32103-22	2	Nut-Wing	29:3	218-578	2	Fuse-Blade, 10 Amp
7	112-1444-01	1	Bracket-Relay	29:4	109101	1	Fuse-Blade, 20 Amp
8	32144-10	7	Screw-HWH	29:5	100-4918	2	Diode
9	99-7430	3	Relay-Mini	30	3256-23	2	Washer-Plain
10	321-3	3	Screw-HH	31	32144-14	1	Screw-HWHTF
11	3296-42	3	Nut-Lock, NI	32	110-3314	1	Cable-Positive, Battery
12	3250-13	2	Screw-PPH	33	110-3315	1	Cable-Positive, Starter
13	3296-2	6	Nut-Lock, NI	35	54-3093	1	Cable-Battery, Negative
14	28-4210	1	Solenoid	36	3290-378	6	Tie-Cable
15	3254-1	2	Washer-Lock, Int	37	119-2494	1	Seal-Strip
16	3219-14	2	Nut-Hex	38	108-2936	1	Console
17	3253-4	2	Washer-Lock	39	140-0320	1	Lift Panel W/Decal
18	110-3380	1	Nut-Standoff	39:2	108-8484	1	Decal-Lift, Rear
19	3218-13	3	Nut-Jam, Brass	40	108-7995-0P	1	Plate-Support, Console
20	137-3388	1	Control Panel ASM	41	120-2244	1	Hourmeter
20:2	137-3387	1	Decal-Dash	42	3256-51	4	Washer-Flat
21	99-7420	2	Plug-Hole	43	3290-321	4	Screw-HWH
22	83-0020	1	Switch-Ignition	44	3256-78	7	Washer-Flat
22:1	218-461	1	Nut-HH	45	3254-8	3	Washer-Lock
22:2	3254-5	1	Washer-Lock	46	321-5	7	Screw-HH
23	63-8360	2	Key-Ignition	47	32128-33	4	Nut-HF

Vehicle Tracker Assembly



Vehicle Tracker Assembly (continued)

<i>Ref.</i>	<i>Part Number</i>	<i>Qty.</i>	<i>Description</i>	<i>Ref.</i>	<i>Part Number</i>	<i>Qty.</i>	<i>Description</i>
1	122-3876	1	Gateway-Telematics Lite	3	163-1624-01	1	Bracket-Telematic
2	122-2160	1	Harness-Wire	4	137-3030	2	Screw-HWH
2:3	121-8861	1	Fuse-Mini Blade, 2 Amp	5	138-0719	2	Nut-HF
2:4	32180-101	1	Cover-Fuse, Single	6	3290-378	2	Tie-Cable

Attachments and Accessories

For 08745 — Sand Pro 5040 Traction Unit

Product Name	Model/Part
Midmount Toolbar System	08838
Weight Kit, Greensmaster and Sand Pro/Infield Pro Traction Unit.....	100-6442
Tooth Rake	08751
Spring Rake.....	08752
Rear Broom	08753
Finish Grader.....	08754
Manual Blade.....	08714
Spiker	08755
Drag Mat Carrier System	08756
Hydraulic Switch Kit.....	08783
Rear Remote Hydraulic Kit	08781
QAS Nail Drag.....	08761
QAS Bunker Pump	08765
LED Light Kit.....	08740
QAS Flex Tooth Rake	08767
Front Lift Frame	08712
Draw Bar Hitch Assembly	110-1375
Tire-Turf Tread.....	121-9072
Smooth Wheel and Tire Assembly.....	112-0034
Drag Mat Assembly	112-1424
Speed Limiter Kit	110-1371
Spark Arrestor Screen	119-7185
Armrest Kit.....	126-2058
Premium Engine Oil SAE 30 (Drum).....	108-1196
Premium Engine Oil SAE 30 (Pail).....	108-1197
Yellow Hydraulic Cap.....	107-1576
Yellow Hydraulic Fluid Cap (Tethered)	107-2174
Infield Pro 5040 Decal Kit	115-5620
MVP Kit 1000 Hour	44957
MVP Filter Kit.....	30035
Variable Orifice Kit	112-1433
Dark Metallic Gray Aerosol Paint.....	361-12
New Red Paint - Gallon	361-11
Air Dry Red Paint - Qt	5340
Knobby 2 Ply Tire.....	85-8290
Premium All Purpose Grease (Tube).....	108-1190
Wireless Hourmeter	115-4754
PX Hydraulic Fluid (5 Gal)	133-8086
PX Hydraulic Fluid (55 Gal).....	133-8087
Semi-Gloss Black Spray Paint.....	361-9

Notes:

Notes:

Notes:



Count on it.