



Count on it.

Parts Catalog

TimeCutter® 42in

Riding Mower

Model No. 77401—Serial No. 420300000 and Up



Ordering Replacement Parts

To order replacement parts, please supply the part number, the quantity, and the description of each part desired.

Understanding Reference Numbers

Each identified part in an illustration has a reference number. The reference number for a part also appears in the parts list, along with other information about the part.

This catalog uses two special reference number formats, one to indicate parts in a service assembly and another to indicate the quantity of a given part in an illustration.

Service Assembly Reference Numbers

Parts in service assemblies have reference numbers in the form a:b. The a represents the reference number of the entire service assembly and the b represents a sequential number unique to each part within the service assembly.

For example, a wheel assembly might be identified by reference number 6, the tire by 6:1, the valve by 6:2, and the wheel by 6:3. When you order the assembly identified by reference number 6, you receive all parts identified by reference numbers 6:1, 6:2, and 6:3. However, you may also order any part individually. Reference numbers of this type appear in illustration and in parts lists.

Reference Numbers Indicating Quantity

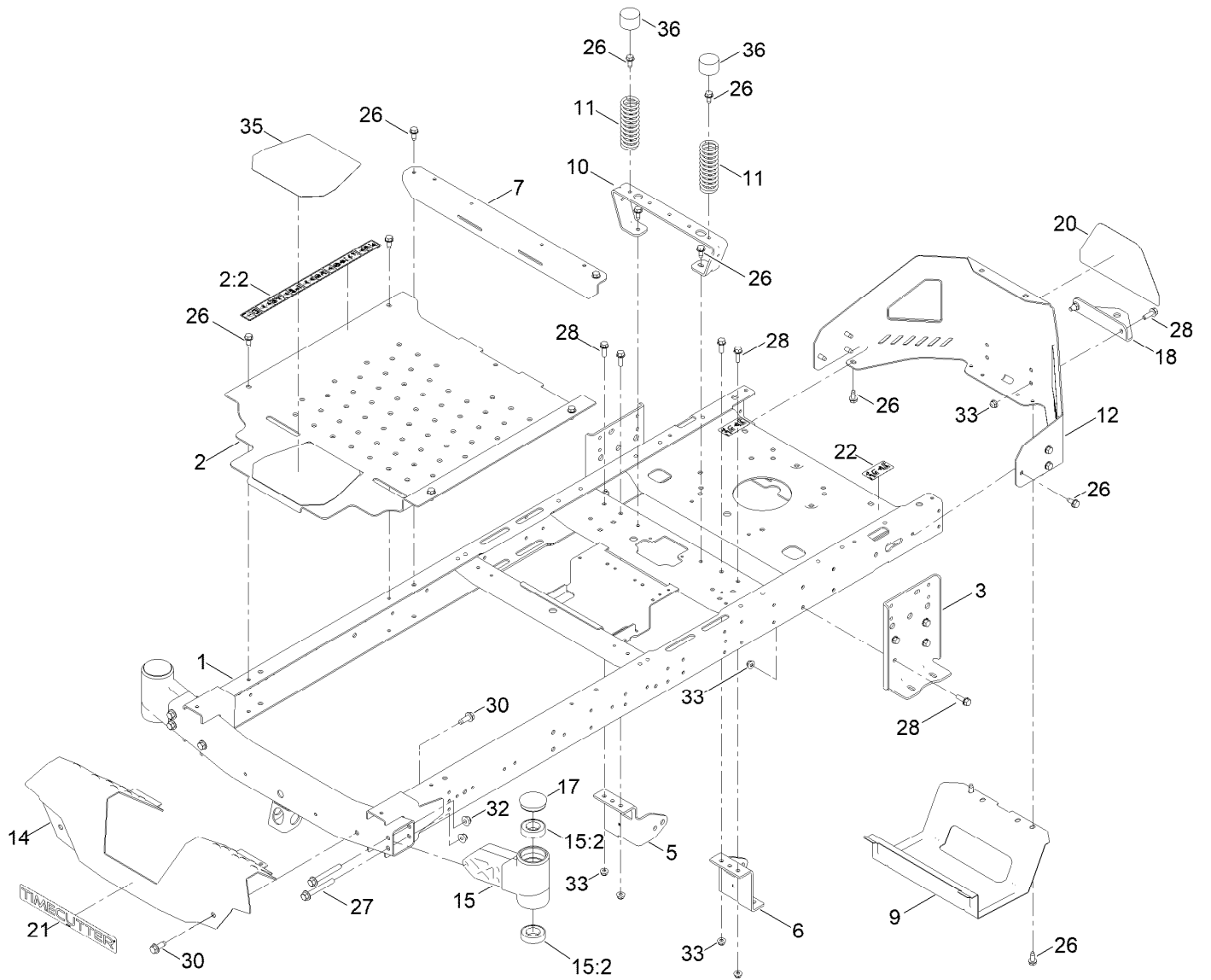
In an illustration, if a reference number indicates more than one part, the reference number has the form nX y. The n represents the quantity of the part, the X is the multiplication symbol, and the y represents the reference number.

For example, in an illustration, the reference number 2X 37 means that two of the parts identified by reference number 37 are indicated.

Contents

Frame Assembly	4
Deck Lift Assembly	6
Tire and Caster Assembly	8
Traction Drive Assembly	10
LH Hydro Transmission Assembly No. 139-7450	12
RH Hydro Transmission Assembly No. 139-7451	14
Brake Assembly	16
Rear Tire Assembly	18
Seat Pan Assembly	20
Seat Assembly No. 147-5157	22
Motion Control Assembly	24
Engine and Muffler Assembly	26
Air Assembly	28
Alternator Assembly	30
Controls Assembly	32
Crankshaft and Piston Assembly	34
Cylinder Block Assembly	36
Exhaust Assembly	38
Flywheel Assembly	40
Head Exhaust Assembly	42
Housing Assembly	44
Lubrication Service Assembly	46
Sump Assembly	48
Carburetor and Fuel Assembly	50
Fuel and Body Styling Assembly	52
Electrical Assembly	54
42 Inch Deck and Decal Assembly	56
Model Specific Assembly	58
Clutch Assembly	60
Attachments and Accessories	62

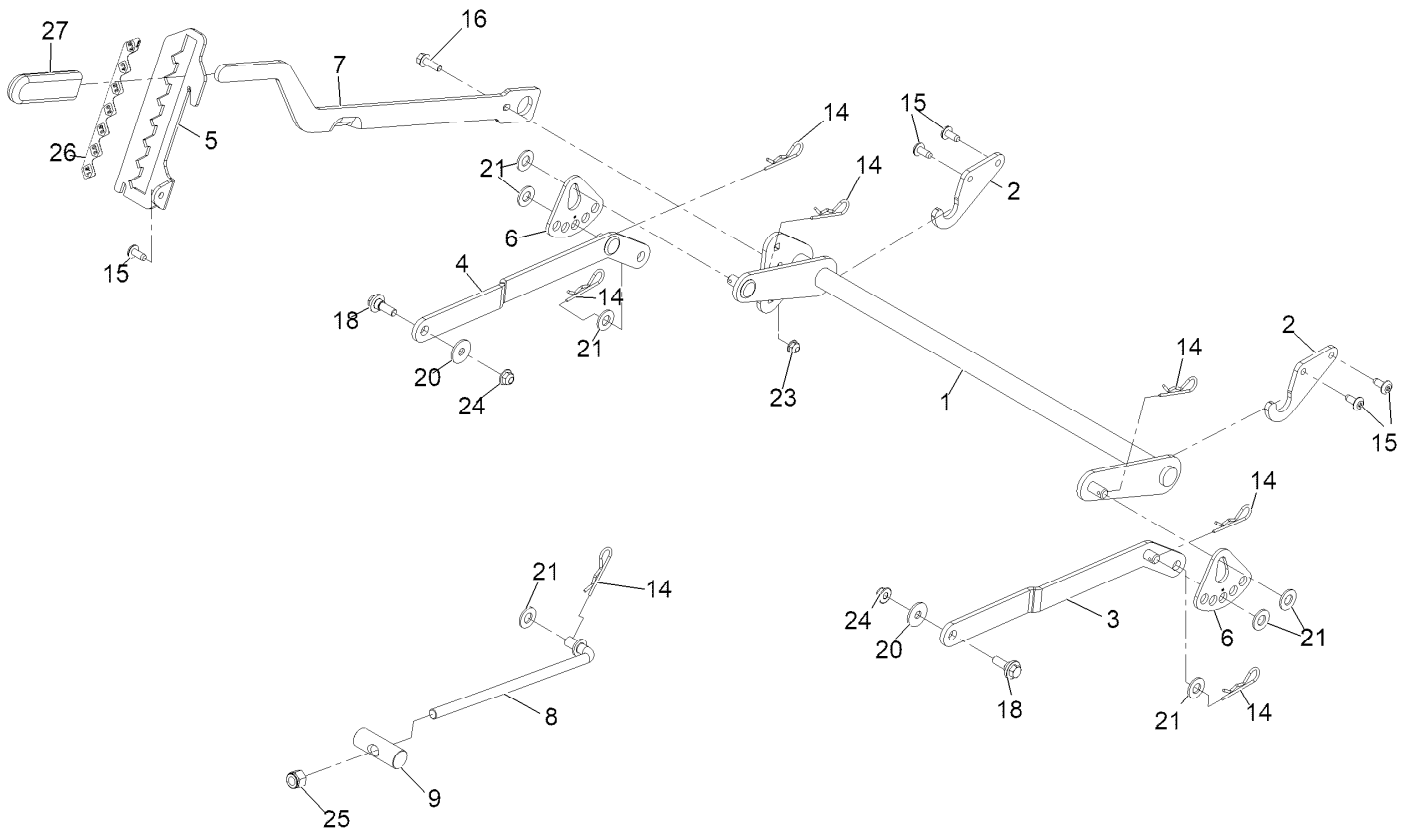
Frame Assembly



Frame Assembly (continued)

<i>Ref.</i>	<i>Part Number</i>	<i>Qty.</i>	<i>Description</i>	<i>Ref.</i>	<i>Part Number</i>	<i>Qty.</i>	<i>Description</i>
1	137-9820-01	1	Frame Assembly	17	138-7200	2	Cap-Grease
2	140-5045	1	Pan-Floor ASM	18	117-1232-03	1	Bracket-Hitch
2:2	144-5288	1	Decal-Warning	20	139-5890	1	Decal-Timecutter
3	138-7520-01	2	Plate-Mount, Hydro	21	139-2387	1	Decal-Timecutter
5	137-7020-01	1	Mount-Hydro, Front (Right)	22	121-2989	2	Decal-Bypass
6	139-3211-01	1	Mount-Hydro, Front (Left)	26	138-9753	20	Screw
7	138-9791-01	1	Brace-Cross	27	139-2429	4	Screw-HHF
9	138-0867-03	1	Guard-Muffler	28	3234-29	14	Screw-HHF
10	138-6036-03	1	Support-Seat	30	139-2428	4	Screw-HWH
11	138-2548	2	Spring-Compression	32	139-2430	4	Nut-HF, NI
12	138-9820-03	1	Guard-Engine	33	119-4041	14	Nut-HF
14	138-9827-01	1	Footrest	35	139-3220	1	Tread-Step
15	163-6006	2	Axle-Stub	36	701178	2	Cap-Protector
15:2	109-3678	2	Bearing-Ball				

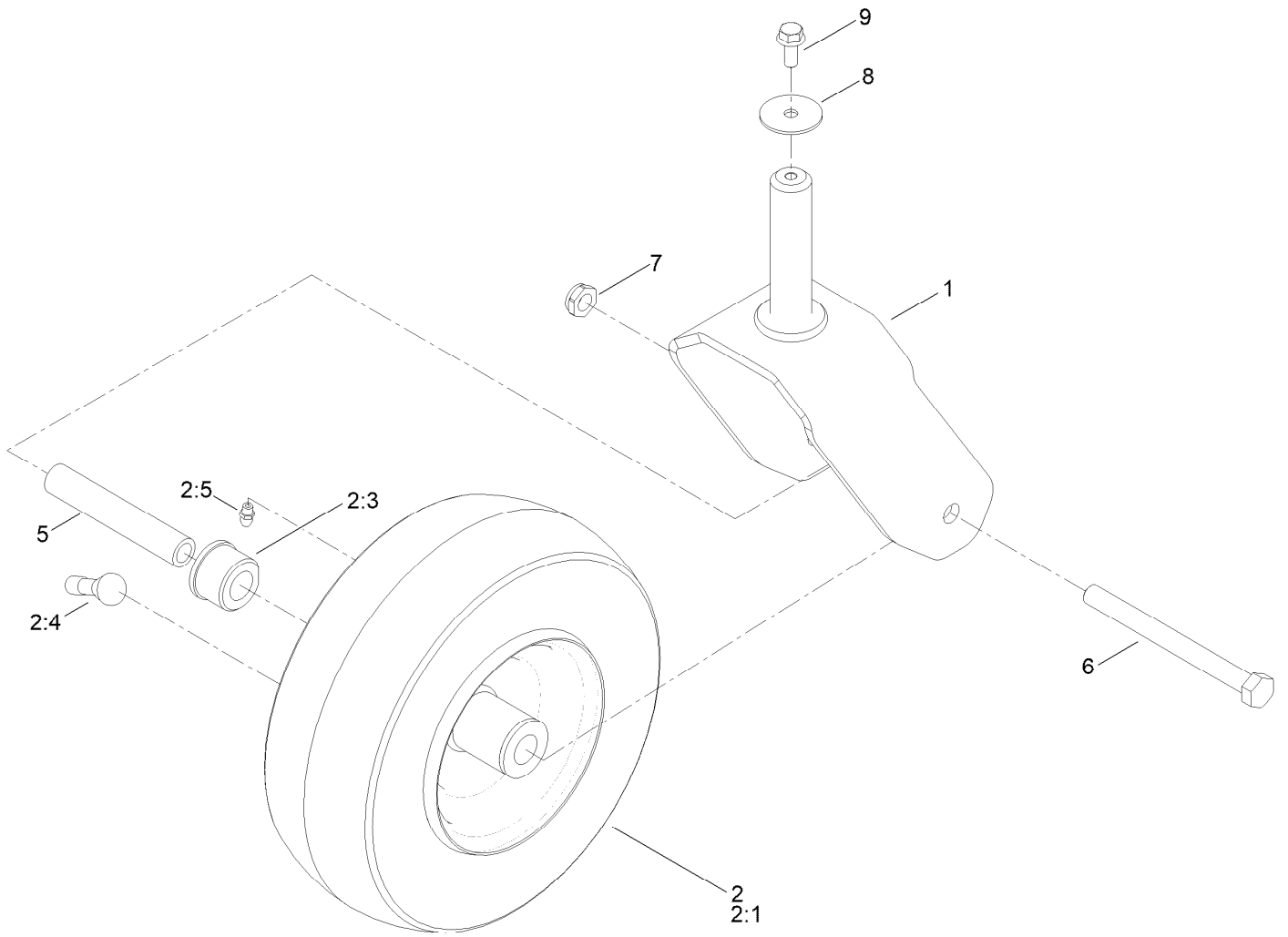
Deck Lift Assembly



Deck Lift Assembly (continued)

<i>Ref.</i>	<i>Part Number</i>	<i>Qty.</i>	<i>Description</i>	<i>Ref.</i>	<i>Part Number</i>	<i>Qty.</i>	<i>Description</i>
1	137-7093-03	1	Deck Lift ASM	16	3234-29	1	Screw-HH Flg 5/16-18 X 1
2	138-6021	2	Bracket-Pivot, Decklift	18	137-9847	2	Screw-Shoulder 3/8-16 X .88
3	137-9844	1	LH Arm ASM	20	93-8806	2	Washer-Hardened
4	137-9846	1	RH Arm ASM	21	3256-26	7	Washer-1/2 SAE
5	139-2350-01	1	Bracket-HOC	23	119-4041	1	Nut-HF
6	138-2564	2	Plate-Adjustment, HOC	24	119-4042	2	Nut-HF, NI
7	137-7087-03	1	Lever-Lift	25	3296-19	1	Nut-Nyloc 1/2-20
8	138-6050	1	Rod-Mount, Deck	26	139-2392	1	Decal-HOC
9	119-8810	1	Pin-Pivot	27	1-633268	1	Grip-Lever
14	1-806005	7	Hairpin-Cotter				
15	138-9753	5	Screw-Button Head 5/16-18 X 3/4 Tf				

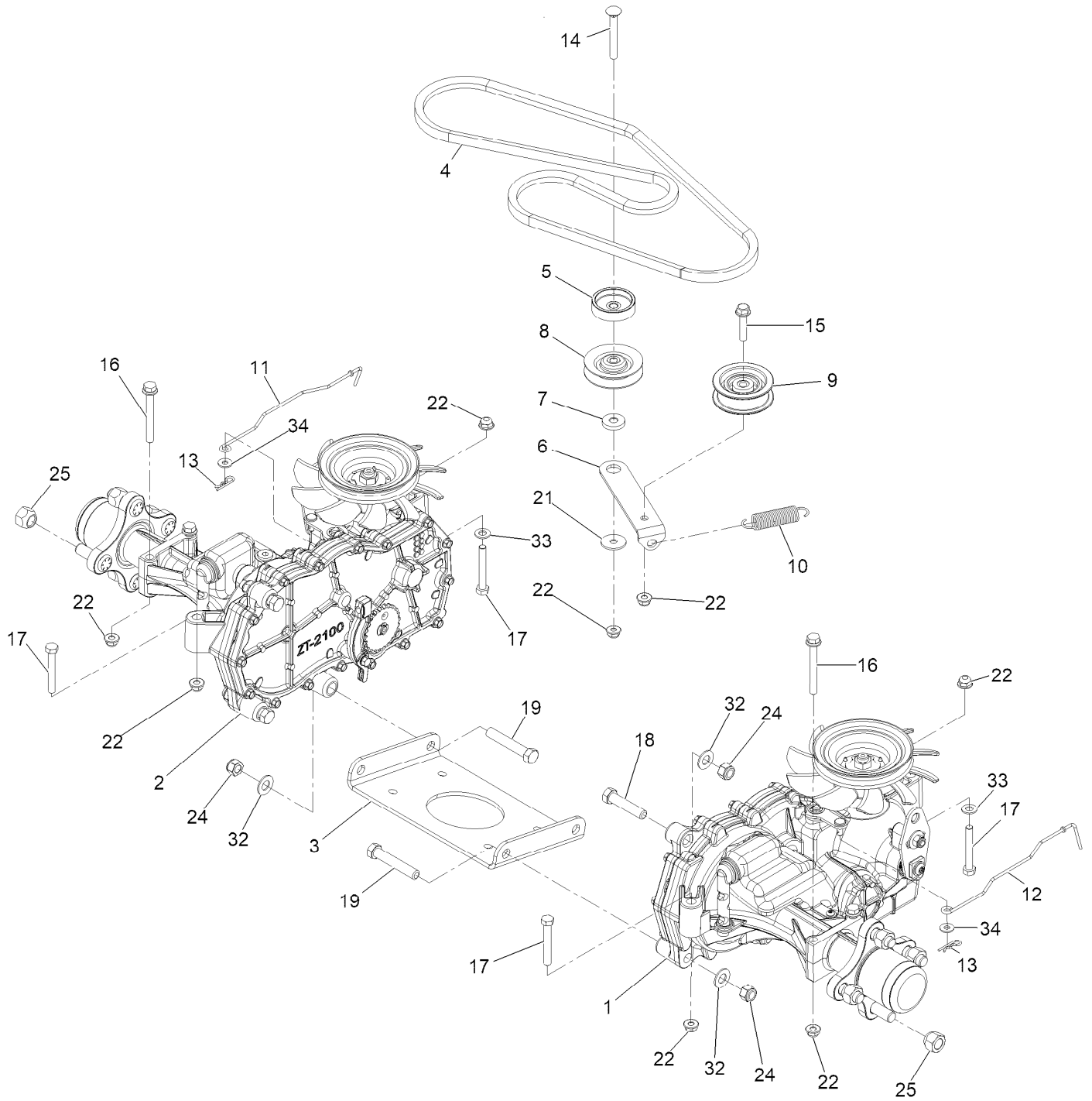
Tire and Caster Assembly



Tire and Caster Assembly (continued)

<i>Ref.</i>	<i>Part Number</i>	<i>Qty.</i>	<i>Description</i>	<i>Ref.</i>	<i>Part Number</i>	<i>Qty.</i>	<i>Description</i>
1	139-3274-01	2	Fork ASM	5	138-7240	2	Bushing-Spanner
2	147-2935	2	Tire ASM	6	325-22	2	Screw-HH
2:1	147-2936	1	Tire	7	3296-45	2	Nut-Hex
2:3	114-1640	2	Bushing-Flange	8	3256-68	2	Washer-Flat
2:4	232-27	1	Stem-Valve	9	3234-47	2	Screw-HHF
2:5	302-5	1	Fitting-Grease				

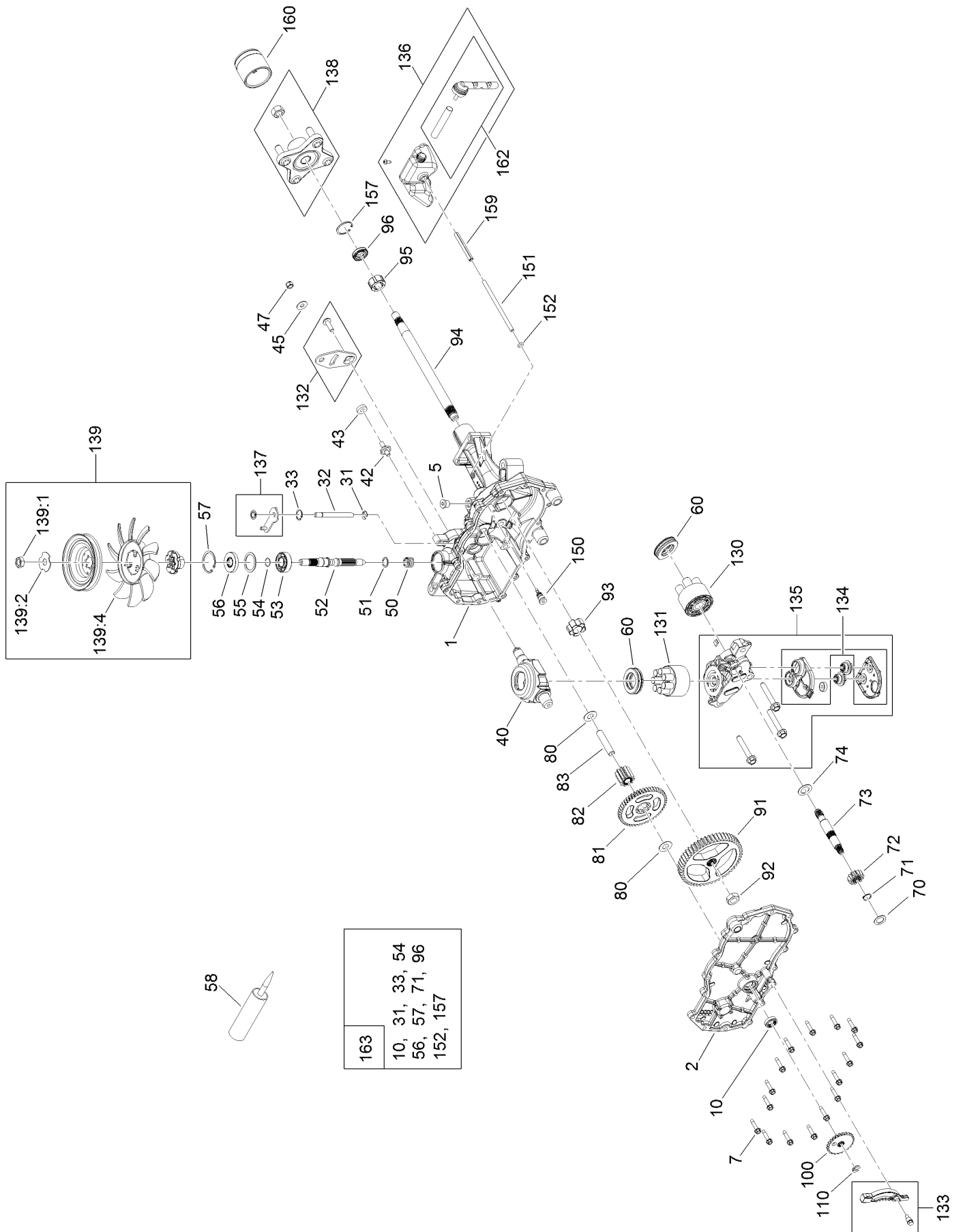
Traction Drive Assembly



Traction Drive Assembly (continued)

<i>Ref.</i>	<i>Part Number</i>	<i>Qty.</i>	<i>Description</i>	<i>Ref.</i>	<i>Part Number</i>	<i>Qty.</i>	<i>Description</i>
1	139-7450	1	LH Hydro Transaxle ASM	15	115-1794	1	Screw-Hex Flange 5/16-18 X 1 1/2
2	139-7451	1	RH Hydro Transaxle ASM	16	138-7590	4	Screw-HHF
3	138-2571-03	1	Crossplate-Hydro	17	322-11	4	Screw-HH 5/16-18 X 2 1/4
4	139-2399	1	V-Belt	18	324-8	2	Screw-HH
5	138-9809	1	Spacer	19	324-10	4	Screw-HH 7/16-14 X 2 1/2
6	138-7276	1	Arm-Idler	21	5-4460	1	Washer-Pivot
7	138-7277	1	Spacer-Arm, Idler	22	119-4041	10	Nut-HF
8	68-0030	1	Idler	24	3296-48	6	Nut-Nyloc 7/16-14
9	138-7597	1	Pulley-Idler, Flat	25	139-2564	8	Nut-Lug
10	137-7040	1	Spring-Return, Pedal	32	3256-25	6	Washer-7/16 SAE
11	138-7245	1	Rod-Bypass, RH	33	3256-23	2	Washer-5/16 SAE
12	138-7243	1	Rod-Bypass, LH	34	119-8952	2	Washer-Spcl
13	3290-307	2	Pin-Cotter				
14	3230-8	1	Bolt-Carriage 5/16-18 X 2 1/2				

LH Hydro Transmission Assembly No. 139-7450

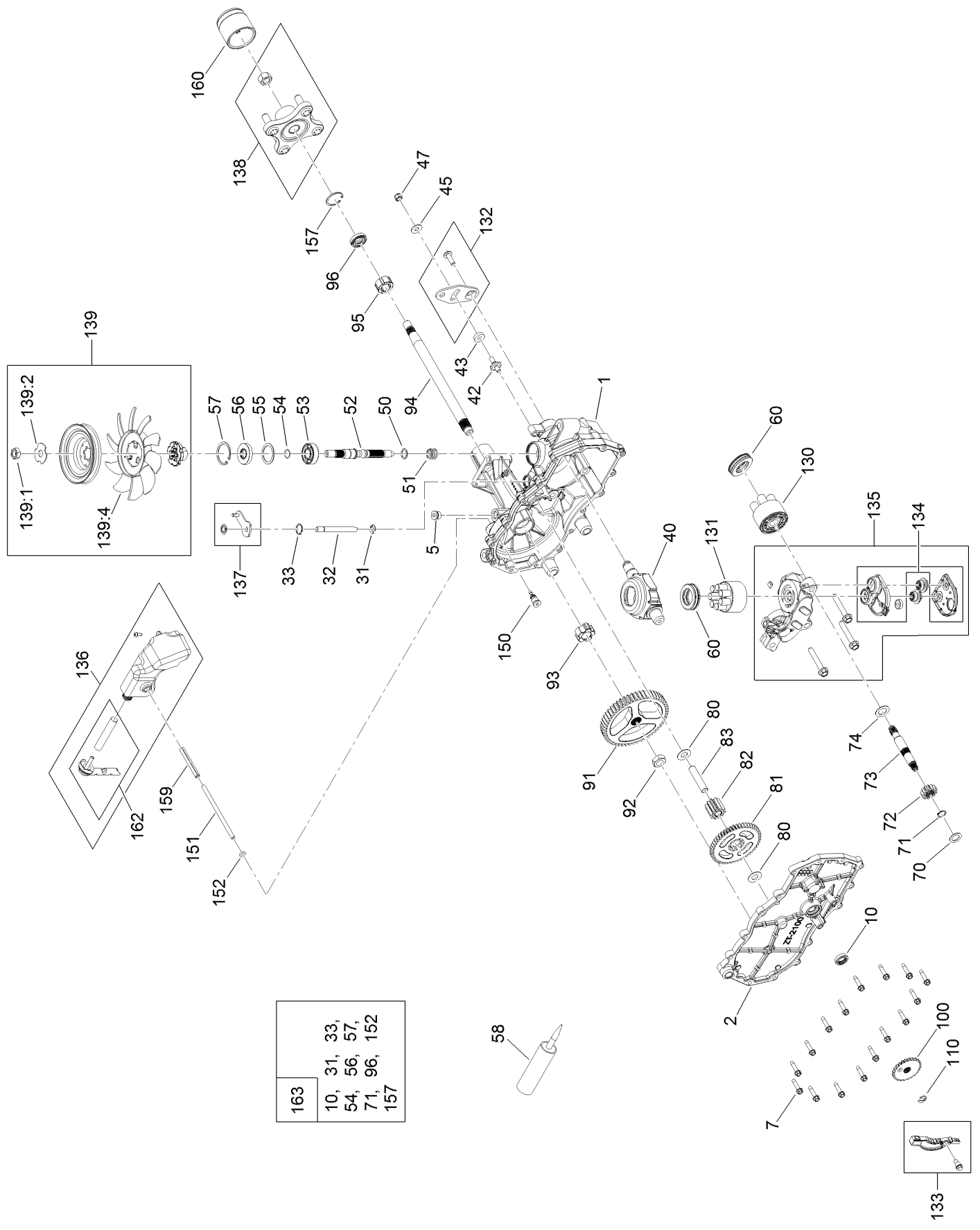


LH Hydro Transmission Assembly No. 139-7450 (continued)

<i>Ref.</i>	<i>Part Number</i>	<i>Qty.</i>	<i>Description</i>	<i>Ref.</i>	<i>Part Number</i>	<i>Qty.</i>	<i>Description</i>
1	120-5532	1	Main Housing ASM	80	119-5541	1	*obs* Washer
2	120-5534	1	Housing Side Kit	81	104-5317	1	Gear-10T/48T
5	104-2189	1	Plug-Thread, Straight	82	104-5318	1	Gear-Jackshaft, 10T
7	117-5359	16	Screw-HHF	83	104-5329	1	Pin-Jackshaft
10	104-2147	1	Sealant, Silicone - Non-Flammable ●	91	120-5539	1	Gear-Bull
31	106-8677	1	Ring-Retaining, External	92	104-2142	1	Nut-HJ
32	106-8678	1	Rod-Bypass	93	115-8314	1	Bushing-Inboard
33	106-8679	1	Ring-Retaining, Internal	94	120-5540	1	Shaft-Axle
40	104-5304	1	Swashplate-Trunnion	95	120-5541	1	Bearing-Sleeve
42	104-2116	1	Stud	100	106-8694	1	Disc-Brake, Cog
43	112-9853	1	Puck-Friction	110	106-8677	1	Ring-Retaining, External
50	133-1793	1	Spring-Block	130	103-2666	1	Cylinder Block Kit
51	120-5538	1	Washer	131	110-8561	1	Pump Block ASM
52	104-5306	1	Shaft-Input	132	117-5362	1	Control Arm Kit
53	104-5311	1	Bearing-Ball	133	106-8688	1	Brake Arm Kit
54	104-5307	1	Ring-Retaining	134	112-9861	1	Center Section Filter Kit
55	104-5308	1	Spacer	135	114-1634	1	Filter Kit
56	104-5310	1	Seal-Lip	136	121-5730	1	RH Expansion Tank Kit
57	104-5309	1	Ring-Retaining	137	120-5549	1	Bypass Kit
58	104-2147	1	Sealant, Silicone - Non-Flammable	138	121-5731	1	Hub Kit
60	94-6922	2	Bearing-Thrust	139	135-7349	1	Fan And Pulley Kit
70	104-5339	1	Washer-Flat	150	104-5349	1	Fitting-SAE
71	104-5340	1	Ring-Retaining	151	115-8302	1	Hose
72	104-5316	1	Gear-Pinnion, 13T	152	104-5361	1	O-Ring
73	106-8683	1	Shaft-Motor	159	121-5728	1	Case-Tube
74	104-5360	1	Washer	160	125-0041	1	Cap-Axle
				162	139-3278	1	Breather ASM Kit
				163	120-7103	1	Seal And Ring Kit

● Not illustrated

RH Hydro Transmission Assembly No. 139-7451



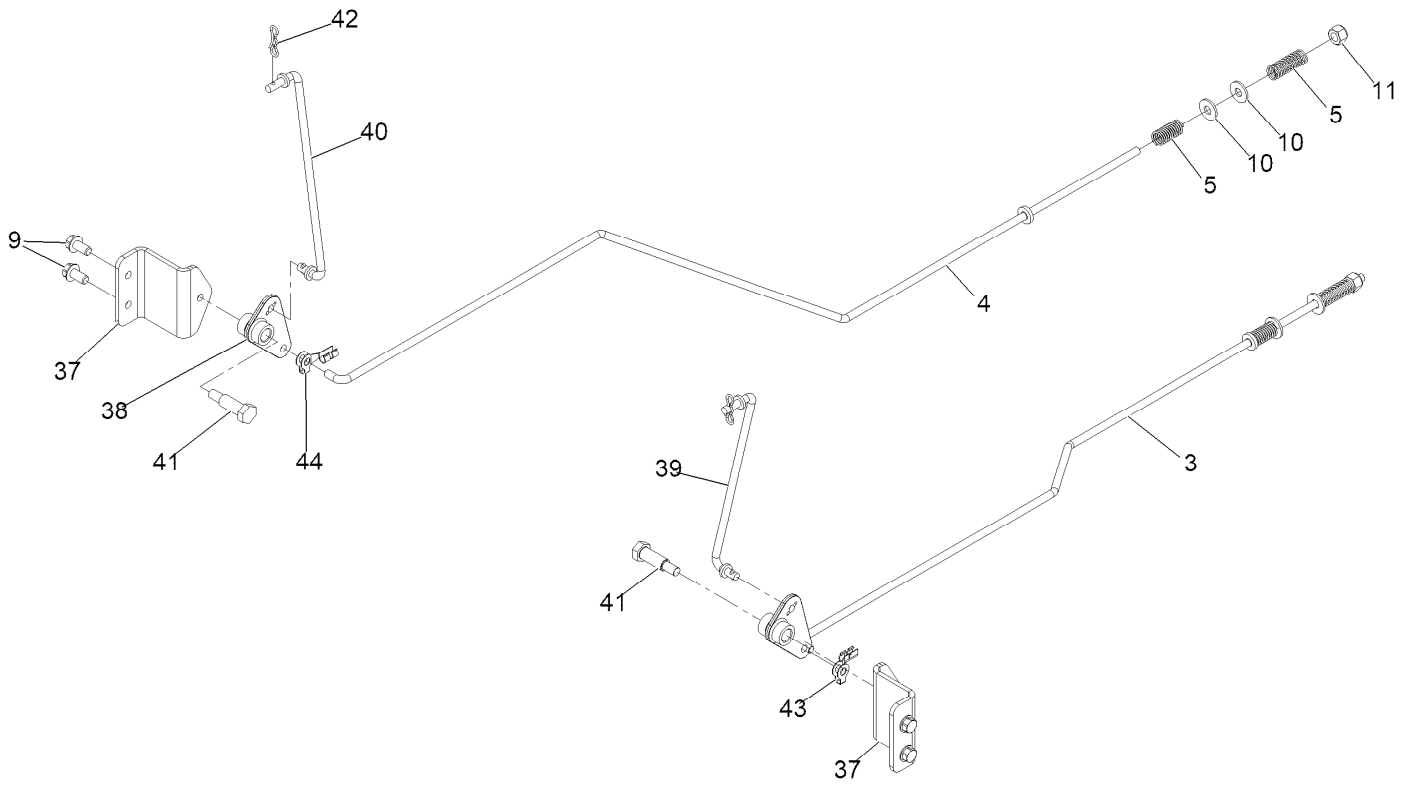
163	10, 31, 33, 54, 56, 57, 71, 96, 152, 157
-----	--

RH Hydro Transmission Assembly No. 139-7451 (continued)

<i>Ref.</i>	<i>Part Number</i>	<i>Qty.</i>	<i>Description</i>	<i>Ref.</i>	<i>Part Number</i>	<i>Qty.</i>	<i>Description</i>
1	120-5531	1	Main Housing ASM	80	119-5541	1	*obs* Washer
2	120-5533	1	Housing Side Kit	81	104-5317	1	Gear-10T/48T
5	104-2189	1	Plug-Thread, Straight	82	104-5318	1	Gear-Jackshaft, 10T
7	117-5359	16	Screw-HHF	83	104-5329	1	Pin-Jackshaft
10	104-2147	1	Sealant, Silicone - Non-Flammable ●	91	120-5539	1	Gear-Bull
31	106-8677	2	Ring-Retaining, External	92	104-2142	1	Nut-HJ
32	106-8678	1	Rod-Bypass	93	115-8314	1	Bushing-Inboard
33	106-8679	1	Ring-Retaining, Internal	94	120-5540	1	Shaft-Axle
40	104-5304	1	Swashplate-Trunnion	95	120-5541	1	Bearing-Sleeve
42	104-2116	1	Stud	100	106-8694	1	Disc-Brake, Cog
43	112-9853	1	Puck-Friction	110	106-8677	1	Ring-Retaining, External
51	133-1793	1	Spring-Block	130	103-2666	1	Cylinder Block Kit
51	120-5538	1	Washer	131	110-8561	1	Pump Block ASM
52	104-5306	1	Shaft-Input	132	117-5362	1	Control Arm Kit
53	104-5311	1	Bearing-Ball	133	106-8688	1	Brake Arm Kit
54	104-5307	1	Ring-Retaining	134	112-9862	1	Center Section Filter Kit
55	104-5308	1	Spacer	135	114-1634	1	Filter Kit
56	104-5310	1	Seal-Lip	136	121-5735	1	LH Expansion Tank Kit
57	104-5309	1	Ring-Retaining	137	107-2489	1	Bypass Arm Kit
58	104-2147	1	Sealant, Silicone - Non-Flammable	138	121-5731	1	Hub Kit
60	94-6922	2	Bearing-Thrust	139	135-7349	1	Fan And Pulley Kit
70	104-5339	1	Washer-Flat	150	104-5349	1	Fitting-SAE
71	104-5340	1	Ring-Retaining	151	115-8302	1	Hose
72	104-5316	1	Gear-Pinnion, 13T	152	104-5361	1	O-Ring
73	106-8683	1	Shaft-Motor	159	121-5728	1	Case-Tube
74	104-5360	1	Washer	160	125-0041	1	Cap-Axle
				162	139-3278	1	Breather ASM Kit
				163	120-7103	1	Seal And Ring Kit

● Not illustrated

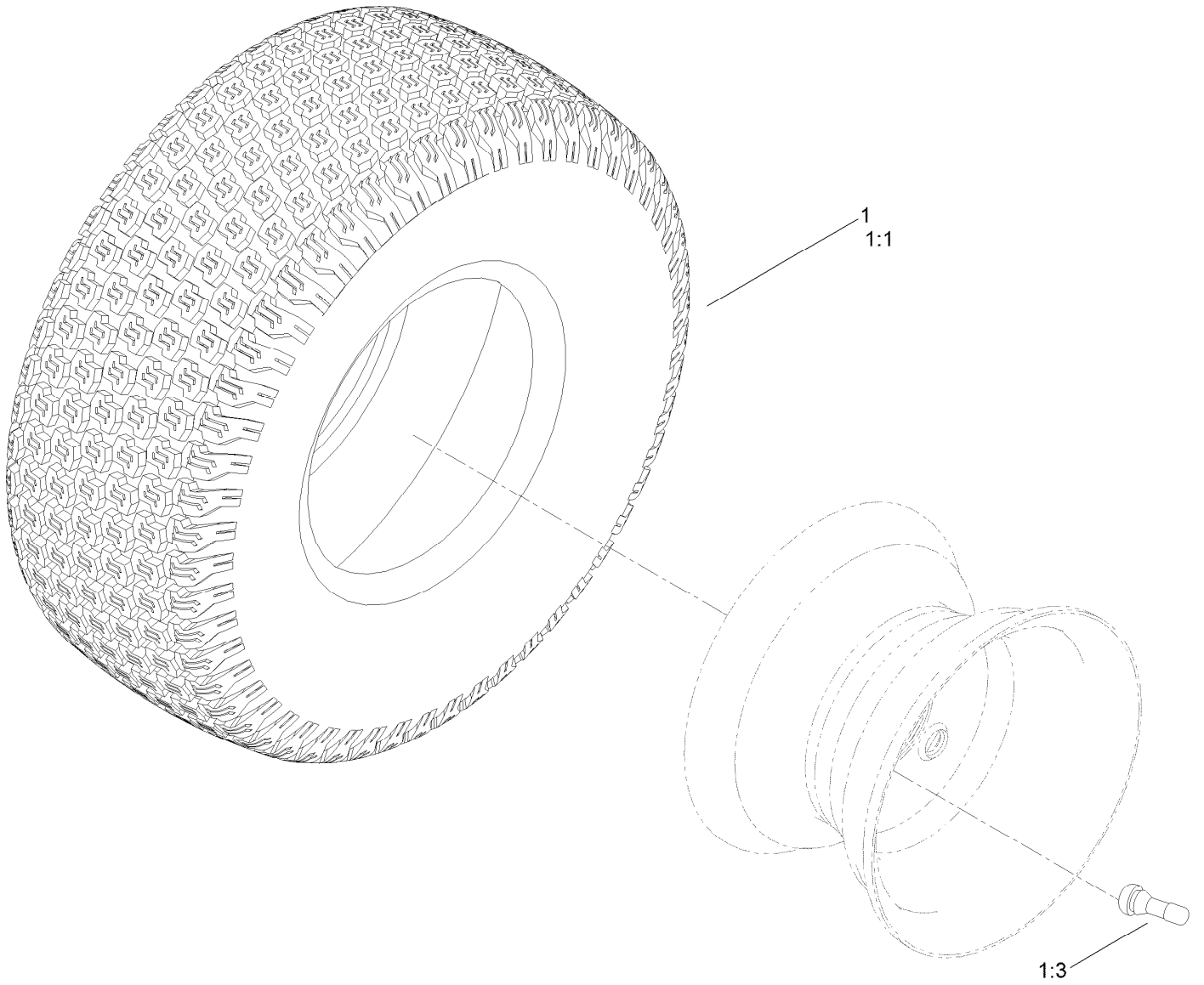
Brake Assembly



Brake Assembly (continued)

<i>Ref.</i>	<i>Part Number</i>	<i>Qty.</i>	<i>Description</i>	<i>Ref.</i>	<i>Part Number</i>	<i>Qty.</i>	<i>Description</i>
3	161-6561	1	Rod-Brake, LH	38	161-6420	2	Bellcrank
4	161-6562	1	Rod-Brake, RH	39	161-6563	1	Link-Brake, LH
5	117-1169	4	Spring-Compression	40	161-6564	1	Link-Brake, RH
9	32144-4	4	Screw-HWH 1/4-20 X 1/2 Taptite	41	145-6364	2	Bolt-Shoulder
10	119-8952	4	Washer-Spcl	42	119-1414	2	Pin-Cotter, Locking
11	3296-42	2	Nut-Nyloc 1/4-20	43	144-1816	1	Clip-Rod, LH (7L, 1/4In)
37	163-6018	2	Mount-Bellcrank, Brake	44	144-1815	1	Clip-Rod, RH (7R, 1/4In)

Rear Tire Assembly



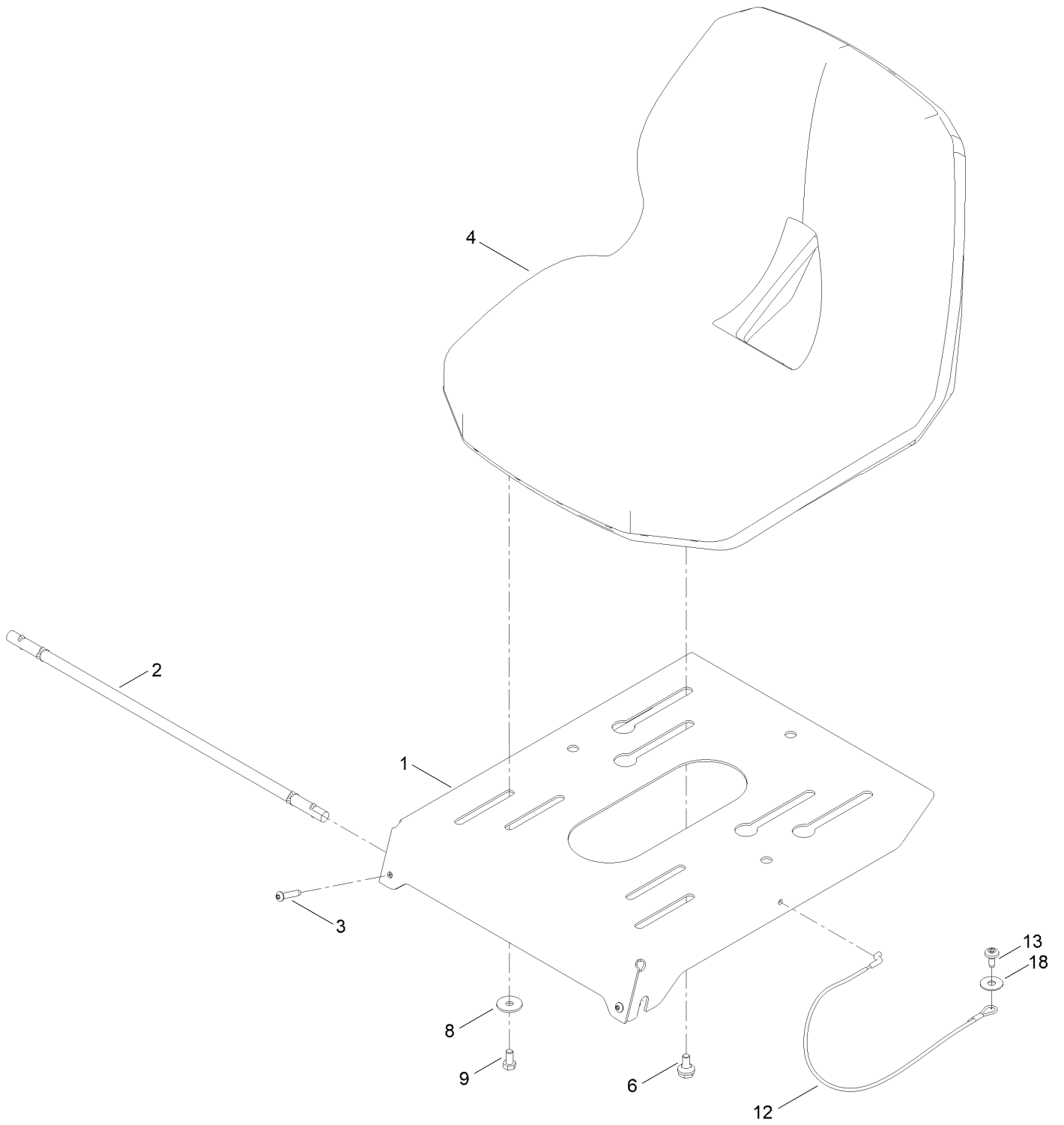
Rear Tire Assembly (continued)

<i>Ref.</i>	<i>Part Number</i>	<i>Qty.</i>	<i>Description</i>
1	139-5846	2	Tire ASM
1:1	126-1618	1	Tire

<i>Ref.</i>	<i>Part Number</i>	<i>Qty.</i>	<i>Description</i>
1:3	232-27	1	Stem-Valve
1:99	107-2491	1	Tube-Tire ●

● Not illustrated

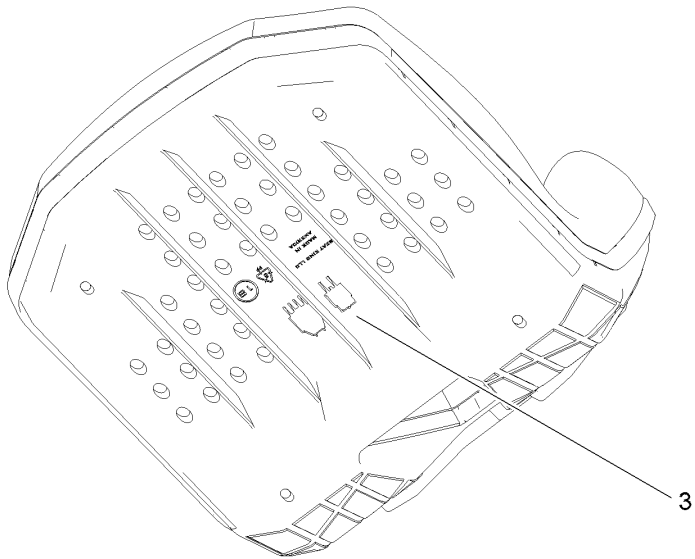
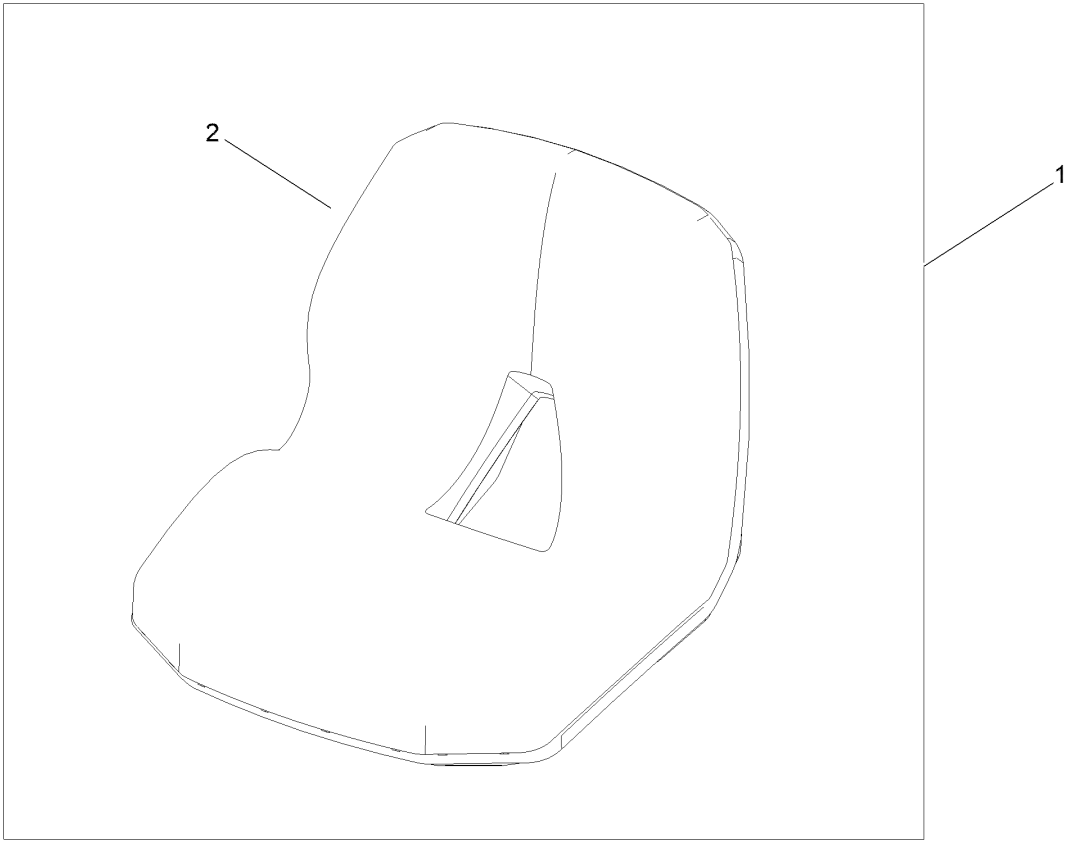
Seat Pan Assembly



Seat Pan Assembly (continued)

<i>Ref.</i>	<i>Part Number</i>	<i>Qty.</i>	<i>Description</i>	<i>Ref.</i>	<i>Part Number</i>	<i>Qty.</i>	<i>Description</i>
1	138-9781-03	1	Pan-Seat	8	5-4460	2	Washer-Pivot
2	138-7555	1	Rod-Pivot	9	322-2	2	Screw-HH
3	108-0035	2	Screw	12	139-2398	1	Cable-Lanyard
4	147-5157	1	Seat-16 In	13	120-7950	1	Screw-Torx
6	37-8771	2	Bolt-Shoulder, HF	18	147-5287	1	Washer-Flat

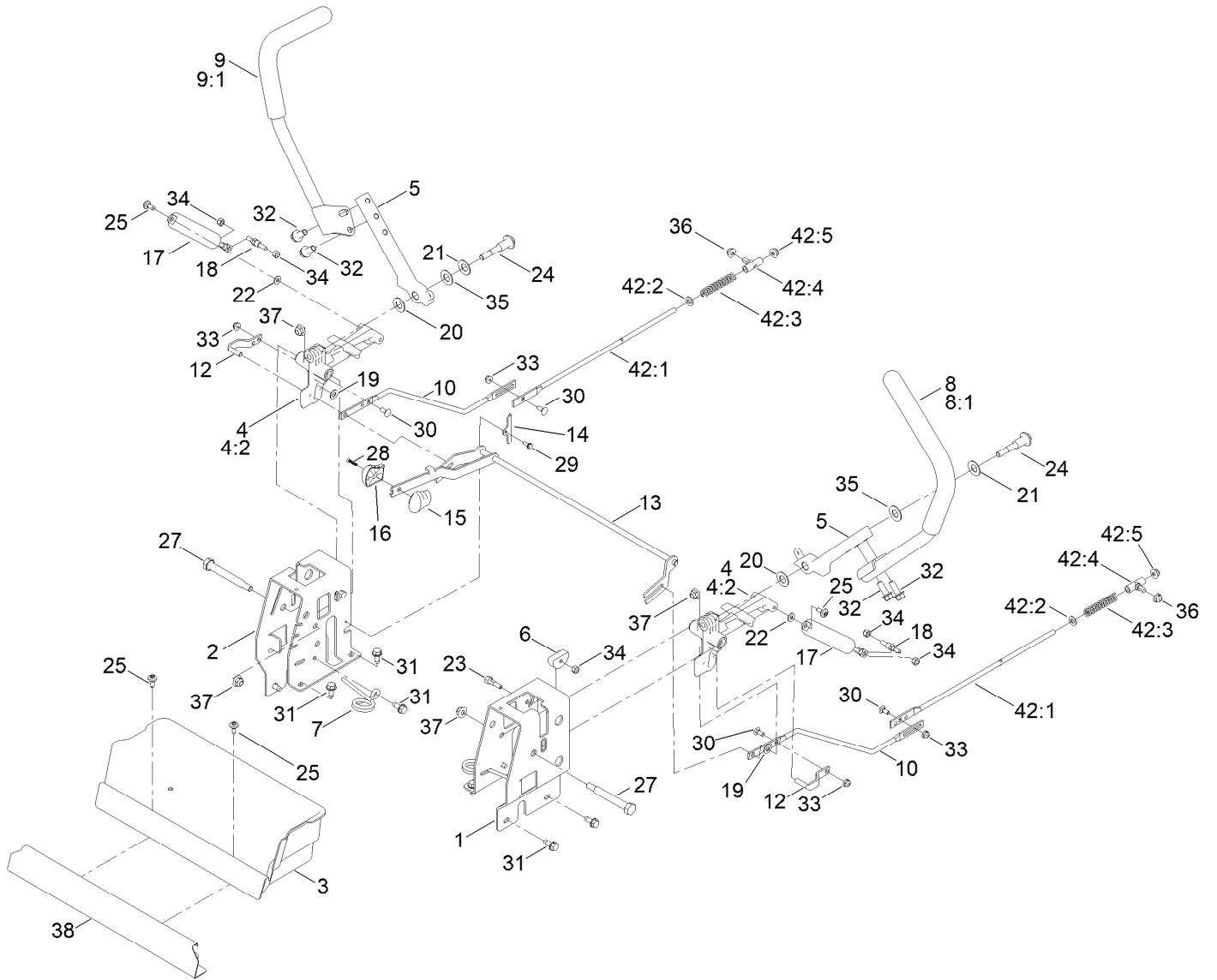
Seat Assembly No. 147-5157



Seat Assembly No. 147-5157 (continued)

<i>Ref.</i>	<i>Part Number</i>	<i>Qty.</i>	<i>Description</i>
1	139-5891	1	Seat-16 In
2	147-2983	1	Cover-Seat
3	82-2190	1	Switch-Bail

Motion Control Assembly



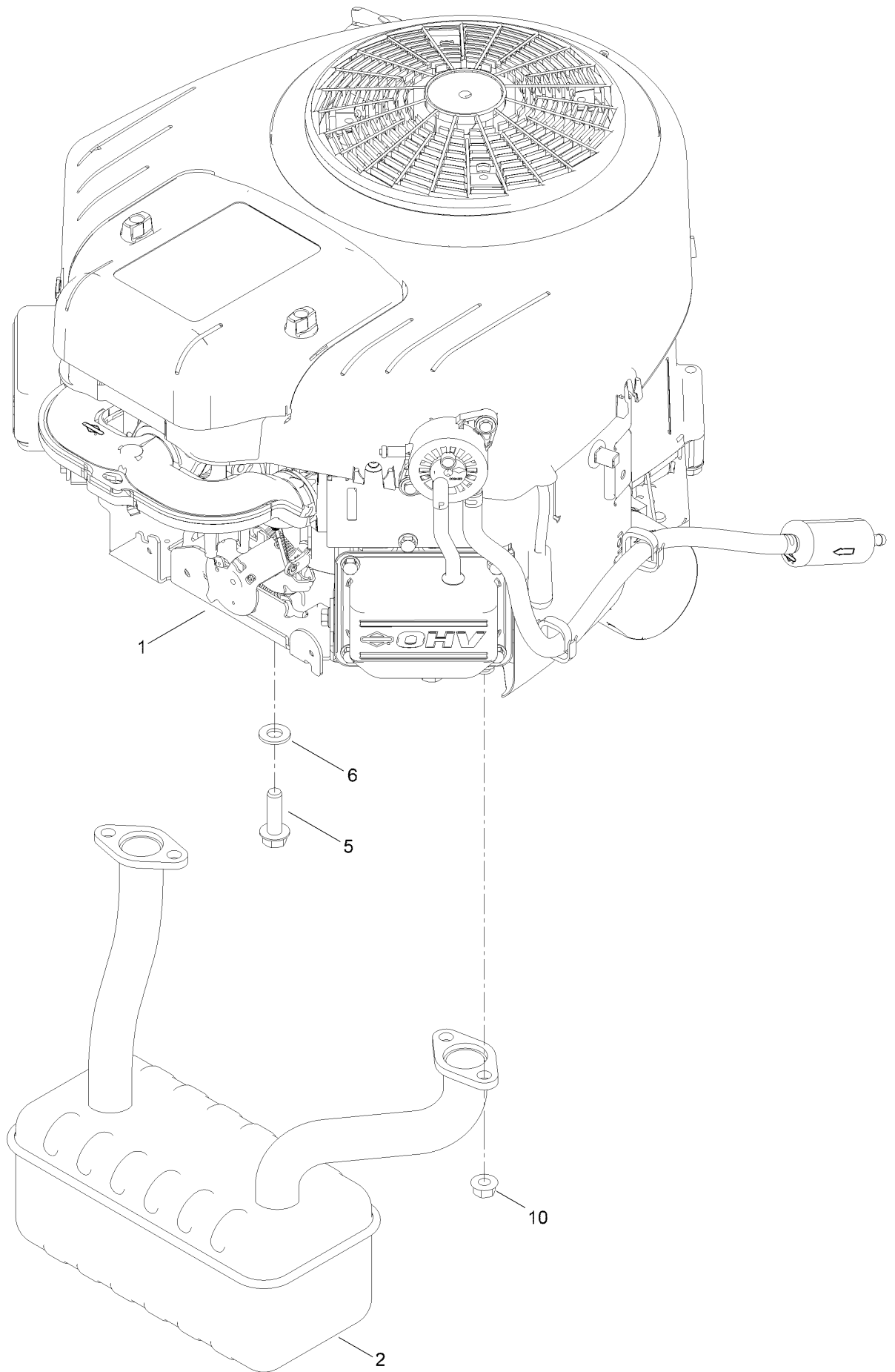
Motion Control Assembly (continued)

<i>Ref.</i>	<i>Part Number</i>	<i>Qty.</i>	<i>Description</i>	<i>Ref.</i>	<i>Part Number</i>	<i>Qty.</i>	<i>Description</i>
1	163-6075-03	1	Plate-Control Box, LH	22	119-8952	2	Washer-Spcl
2	163-6076-03	1	Plate-Control Box, RH	23	139-5811	2	Bolt-Pivot, Eccentric
3	145-0421	1	Box-Storage	24	117-1198	2	Bolt-Pivot
4	119-3470	2	Actuator Arm ASM	25	120-7950	4	Screw-Torx
4:2	256-156	2	Bushing-Flange	27	115-5099	2	Bolt-Pivot
5	163-3142-05	2	Arm-Control	28	94-4496	1	Screw-PPH
6	139-5803	2	Eccentric	29	32144-1	2	Screw-Taptite
7	138-7539	2	Spring-Torsion	30	3229-11	4	Screw-CARR
8	133-7055	1	Handle-Control, LH	31	138-9753	10	Screw
8:1	121-0726	1	Grip	32	3234-42	4	Screw-HHF
9	133-7057	1	Handle-Control, RH	33	104-7201	4	Nut-HF, NI
9:1	121-0726	1	Grip	34	3296-42	6	Nut-Lock, NI
10	138-2580	2	Rod-Hydro, Front	35	117-1240	2	Washer
12	121-1753	2	Pin-Rod, Hydro	36	119-4041	2	Nut-HF
13	138-9750	1	Speed Control ASM	37	119-4042	4	Nut-HF, NI
14	138-7541	2	Plate-Retainer	38	139-3280-01	1	Plate-Kick
15	132-9368	1	Knob-RH	42		2	Rod Hydro ASM ●■
16	132-9369	1	Knob-LH	42:1	144-1818	1	Rod-Hydro, Rear
17	132-6853	2	Damper-Non Cavitating	42:2	120-9683	1	Washer-Plain
18	138-7215	2	Stud-Damper	42:3	138-7252	1	Spring-Compression
19	93-6079	2	Spacer-Nylon	42:4	138-7218	1	Mount-Rod, Hydro
20	120-2273	2	Washer-Flat	42:5	119-4041	1	Nut-HF
21	119-8925	2	Washer-Belleville				

● Not illustrated

■ Not serviced separately

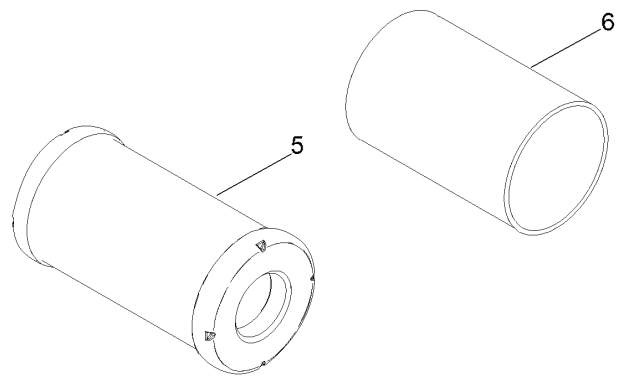
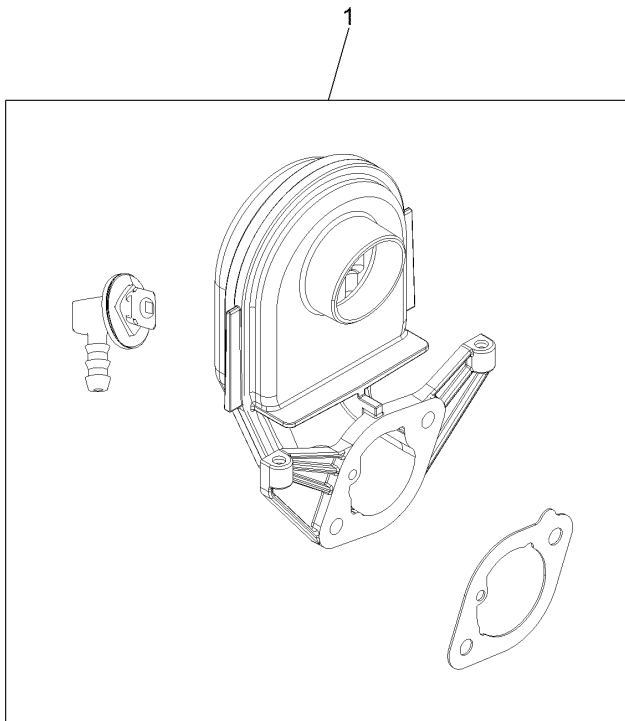
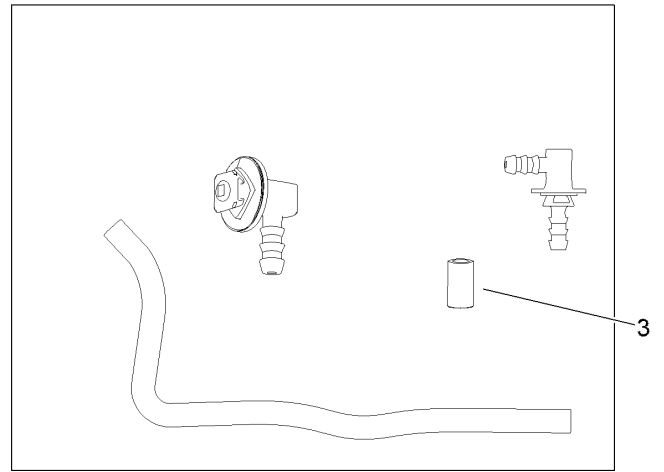
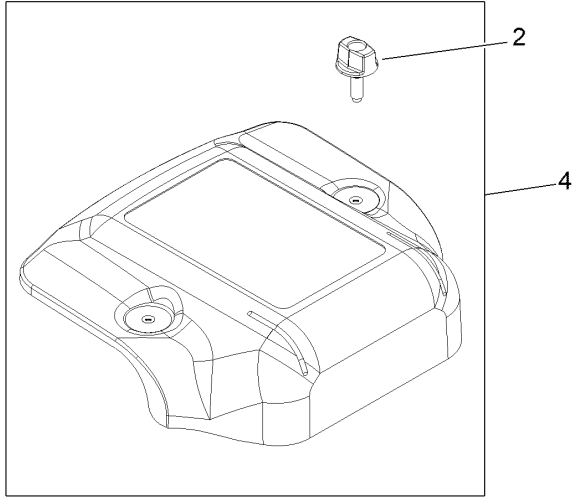
Engine and Muffler Assembly



Engine and Muffler Assembly (continued)

<i>Ref.</i>	<i>Part Number</i>	<i>Qty.</i>	<i>Description</i>	<i>Ref.</i>	<i>Part Number</i>	<i>Qty.</i>	<i>Description</i>
1	163-8021	1	Engine - B&s Exi	6	3256-24	3	Washer-Plain
2	145-6318	1	Muffler	10	33004-00	4	Nut-HF
5	32144-109	4	Screw-Thd				

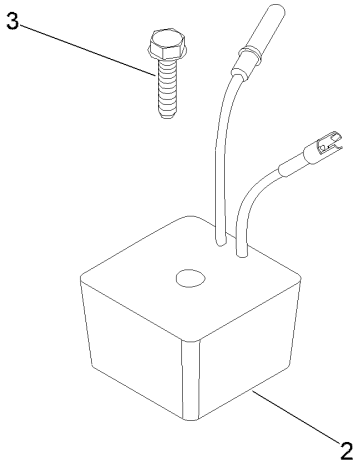
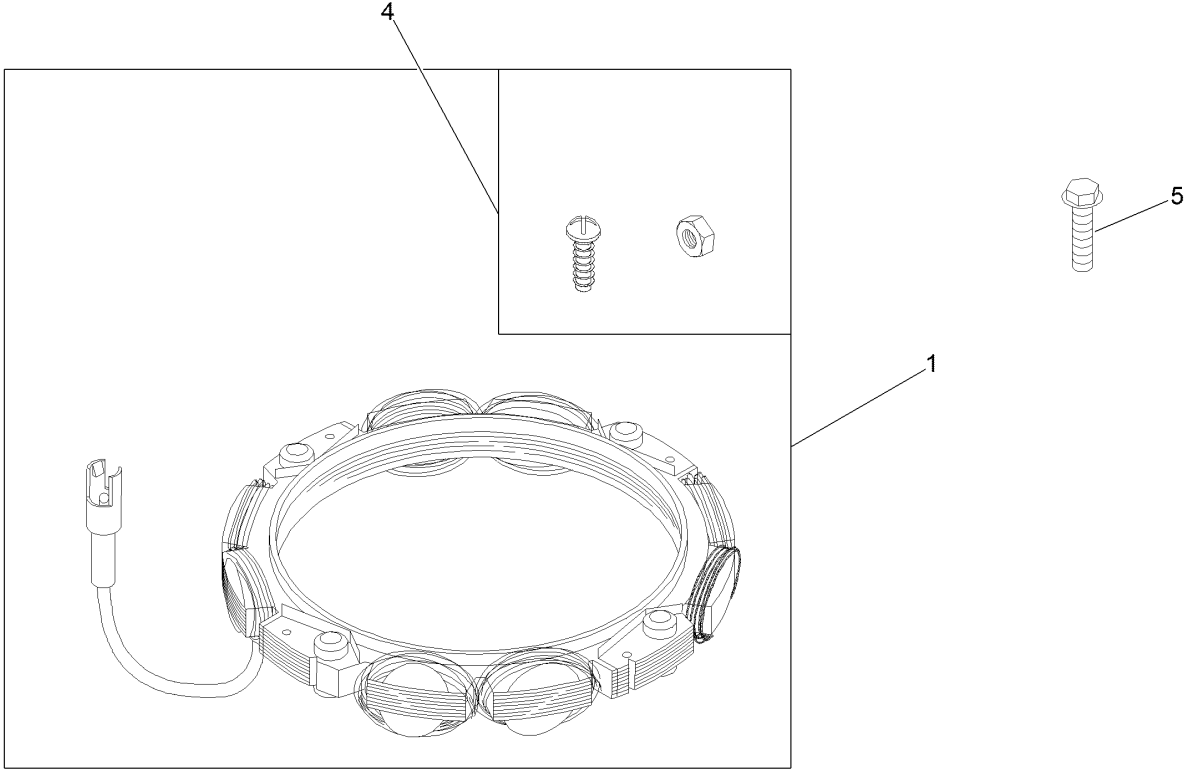
Air Assembly



Air Assembly (continued)

<i>Ref.</i>	<i>Part Number</i>	<i>Qty.</i>	<i>Description</i>	<i>Ref.</i>	<i>Part Number</i>	<i>Qty.</i>	<i>Description</i>
1	594205	1	Elbow, Intake	4	591658	1	Cover-Air Cleaner
2	591660	1	Knob-Air Cleaner Cover	5	84012892	1	Filter-A/C Cartridge
3	799159	1	Cap-Connector	6	797704-BS	1	Filter-Pre Cleaner

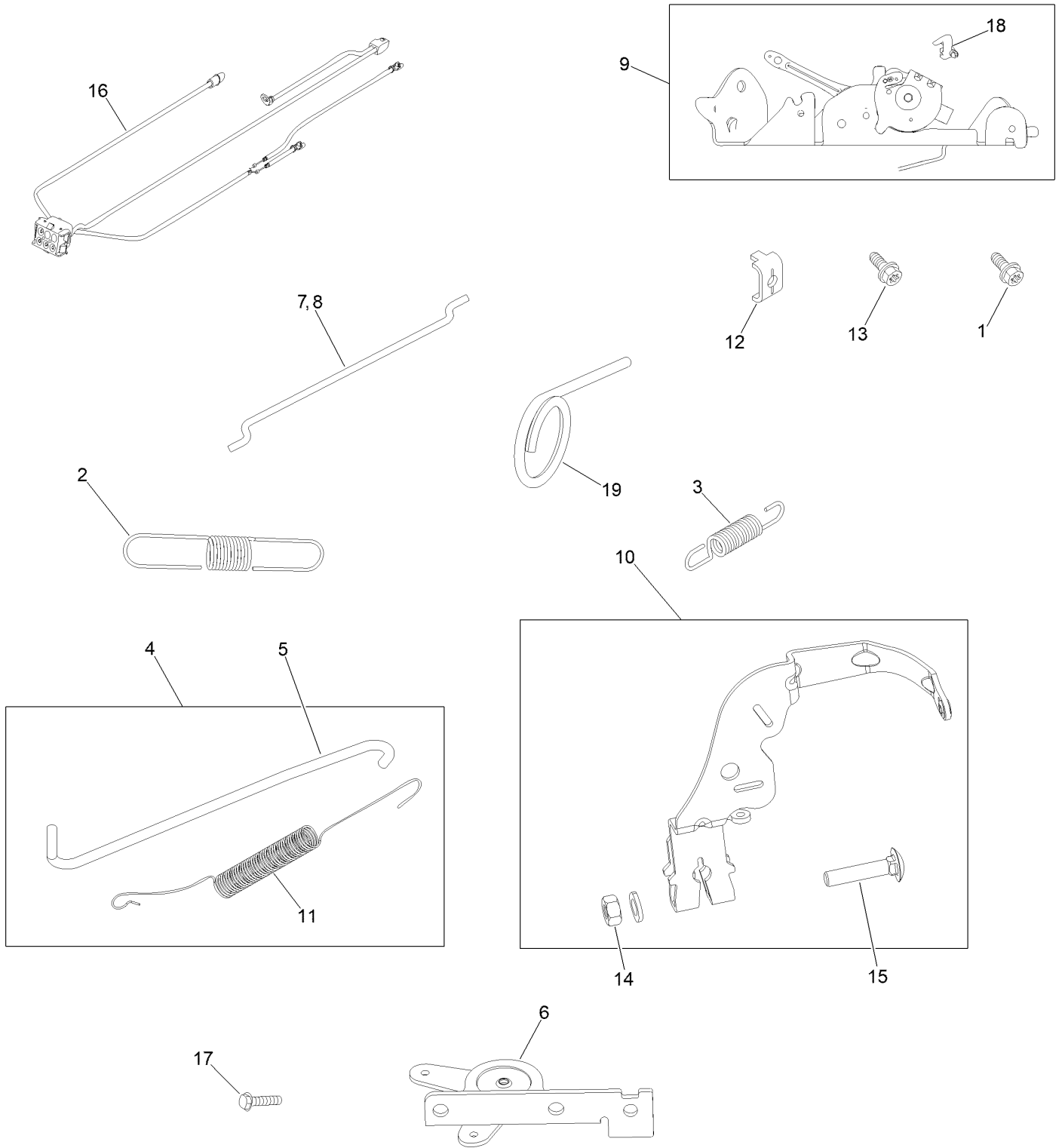
Alternator Assembly



Alternator Assembly (continued)

<i>Ref.</i>	<i>Part Number</i>	<i>Qty.</i>	<i>Description</i>	<i>Ref.</i>	<i>Part Number</i>	<i>Qty.</i>	<i>Description</i>
1	84012661	1	Alternator	4	698516	1	Screw And Washer Kit
2	794360	1	Regulator	5	691183	4	Screw
3	691129	2	Screw				

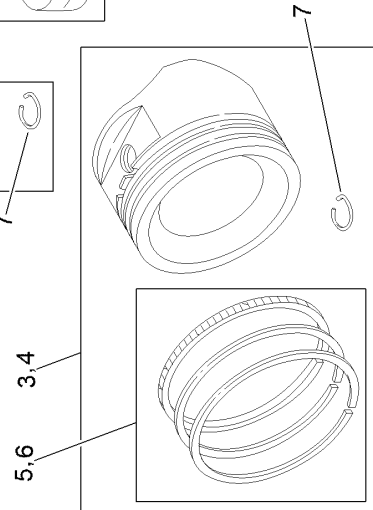
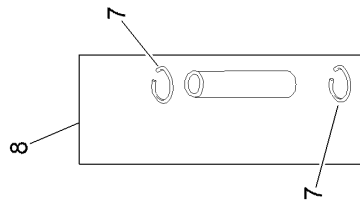
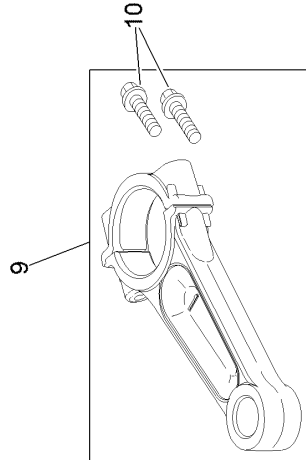
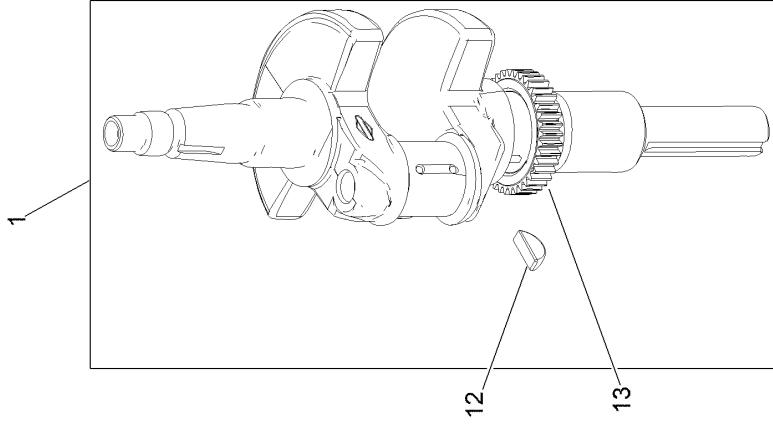
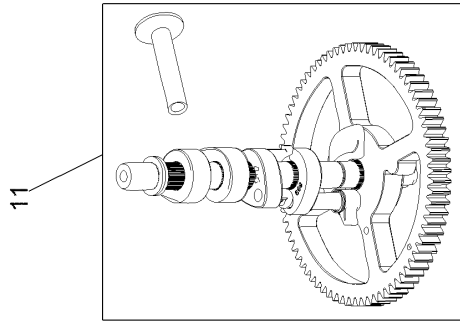
Controls Assembly



Controls Assembly (continued)

<i>Ref.</i>	<i>Part Number</i>	<i>Qty.</i>	<i>Description</i>	<i>Ref.</i>	<i>Part Number</i>	<i>Qty.</i>	<i>Description</i>
1	691108	1	Screw	11	597550	1	Spring, Governor Link
2	799171	1	Spring, Governor	12	691024	1	Clamp-Casing
3	593724	1	Spring, Governed Idle	13	792629	1	Screw
4	597778	1	Link, Throttle	14	691029	1	Nut
5	84001913	1	Link, Throttle	15	690311	1	Bolt
6	691021	1	Bracket-Control, Choke	16	591392	1	Harness, Wiring
7	796229	1	Link, Choke	17	695239	2	Screw
8	691022	1	Link-Choke	18	592556	1	Retainer, Link
9	592555	1	Bracket, Control	19	595801-BS	1	Pin, Speed Setting
10	593857	1	Lever, Governor Control				

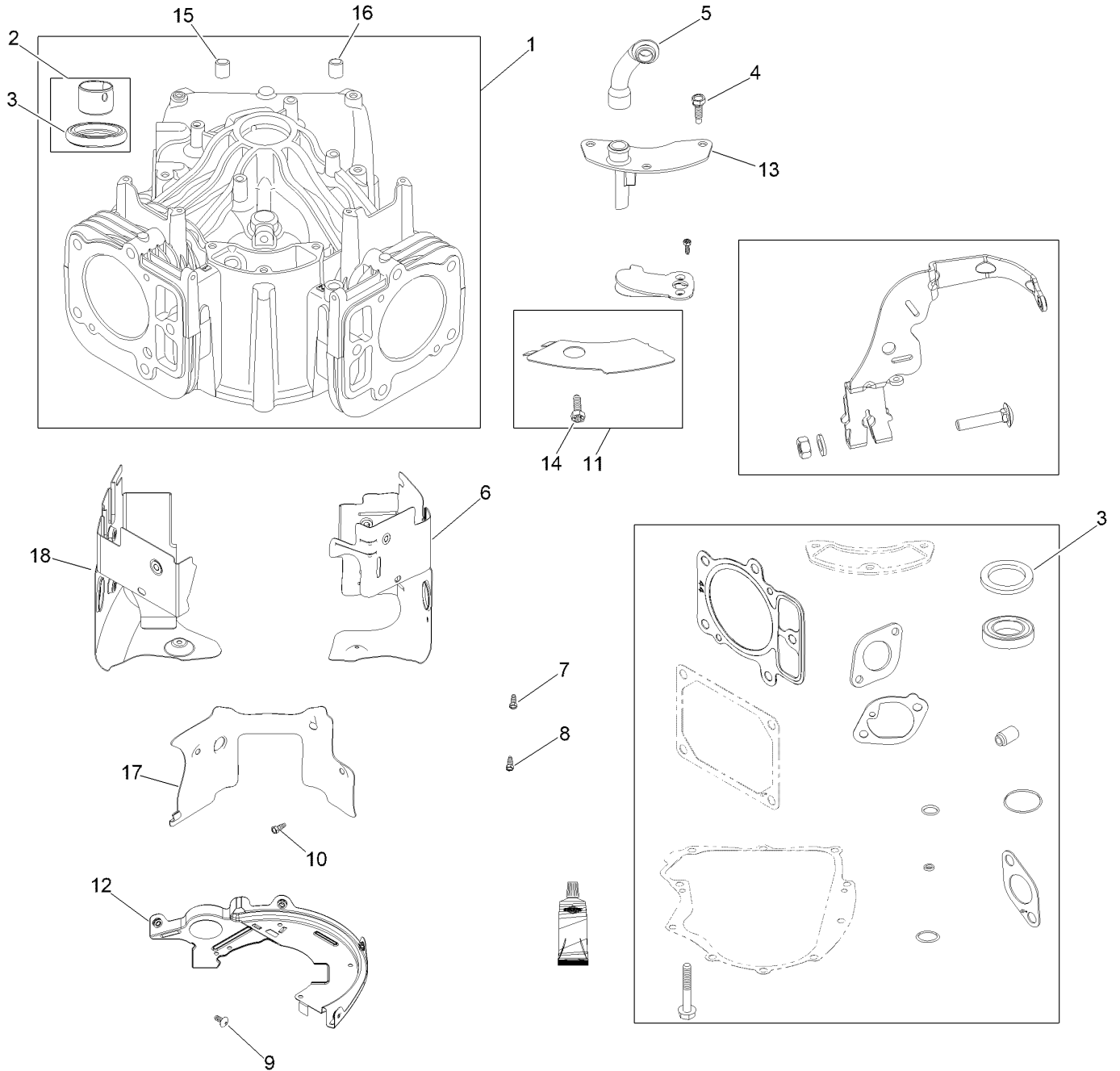
Crankshaft and Piston Assembly



Crankshaft and Piston Assembly (continued)

<i>Ref.</i>	<i>Part Number</i>	<i>Qty.</i>	<i>Description</i>	<i>Ref.</i>	<i>Part Number</i>	<i>Qty.</i>	<i>Description</i>
1	595726	1	Crankshaft	8	593650	1	Pin, Piston
2	222698s	1	Key-Flywheel	9	84007297	2	Rod, Connecting
3	793560	2	Piston Assembly	10	690976	4	Screw
4	793563	1	Piston Assembly	11	797242	1	Camshaft
5	792026	2	Ring Set (STD)	12	690979	1	Key-Timing
6	792073	1	Ring Set (.020 O S)	13	690980	1	Gear-Timing
7	690975	1	Lock-Pin, Piston				

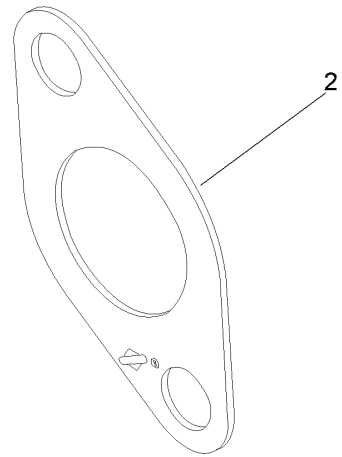
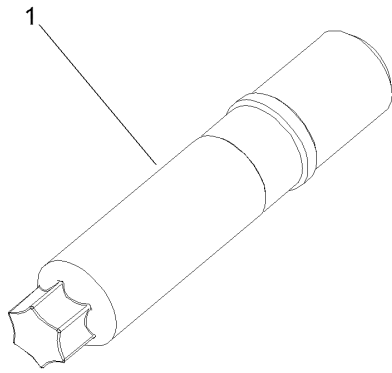
Cylinder Block Assembly



Cylinder Block Assembly (continued)

<i>Ref.</i>	<i>Part Number</i>	<i>Qty.</i>	<i>Description</i>	<i>Ref.</i>	<i>Part Number</i>	<i>Qty.</i>	<i>Description</i>
1	594970	1	Cylinder ASM	11	594325	1	Plate-Baffle
2	797673	1	Bushing/Seal Kit	12	594902	1	Plate-Back
3	391086s	1	Seal-Oil	13	594164	1	Cover-Breather Passage
4	691108	3	Screw	14	594326	1	Screw
5	594163	1	Tube, Breather	15	690959	6	Pin-Locating
6	84007347	1	Shield-Cylinder	16	594988	1	Pin-Locating
7	691003	2	Screw	17	591667	1	Cover-Air Guide
8	691108	3	Screw	18	84002166	1	Shield, Cylinder (B&s 84002166)
9	594937	4	Screw				
10	691003	1	Screw				

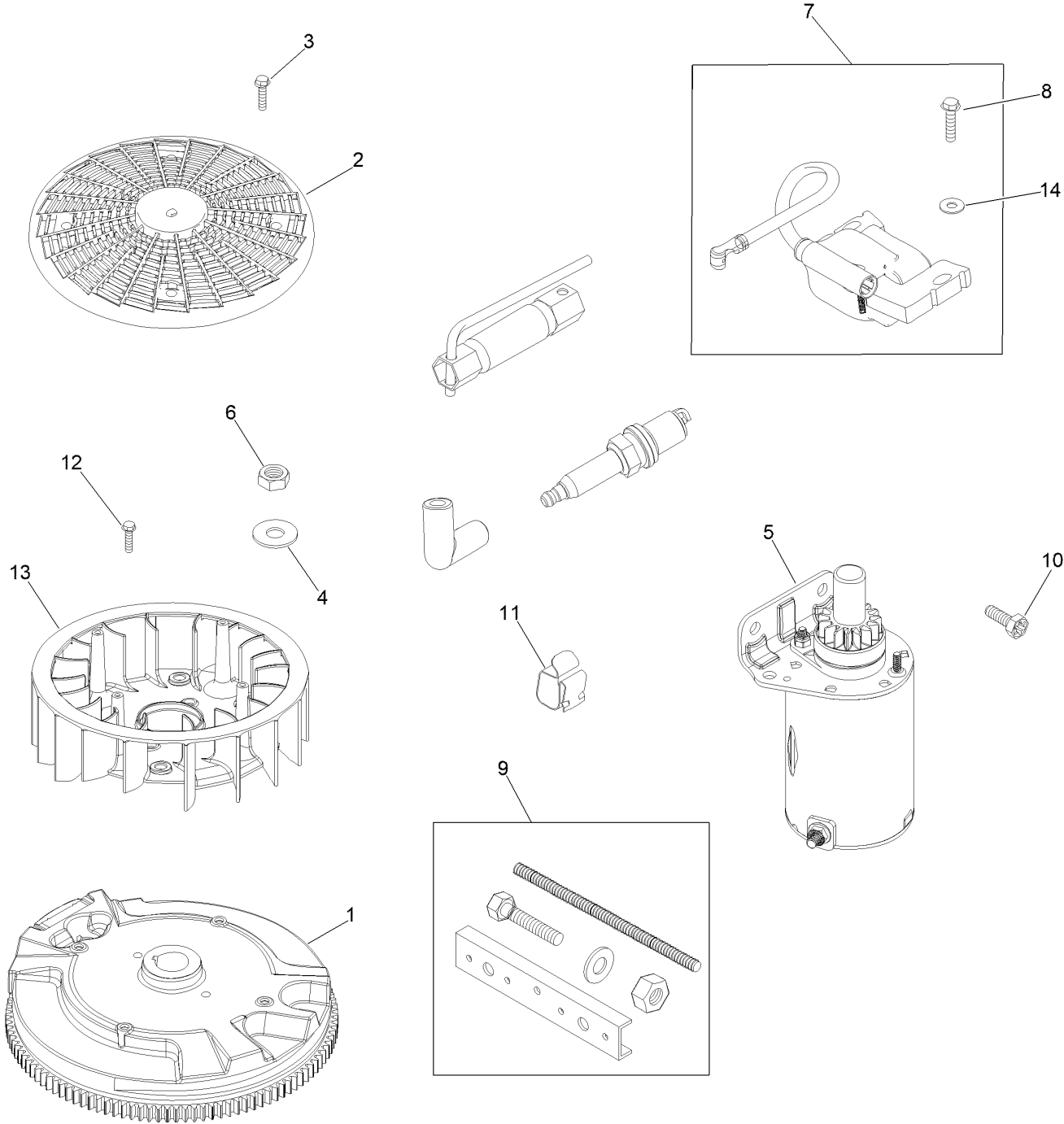
Exhaust Assembly



Exhaust Assembly (continued)

<i>Ref.</i>	<i>Part Number</i>	<i>Qty.</i>	<i>Description</i>
1	591756	4	Stud
2	690970	2	Gasket-Exhaust

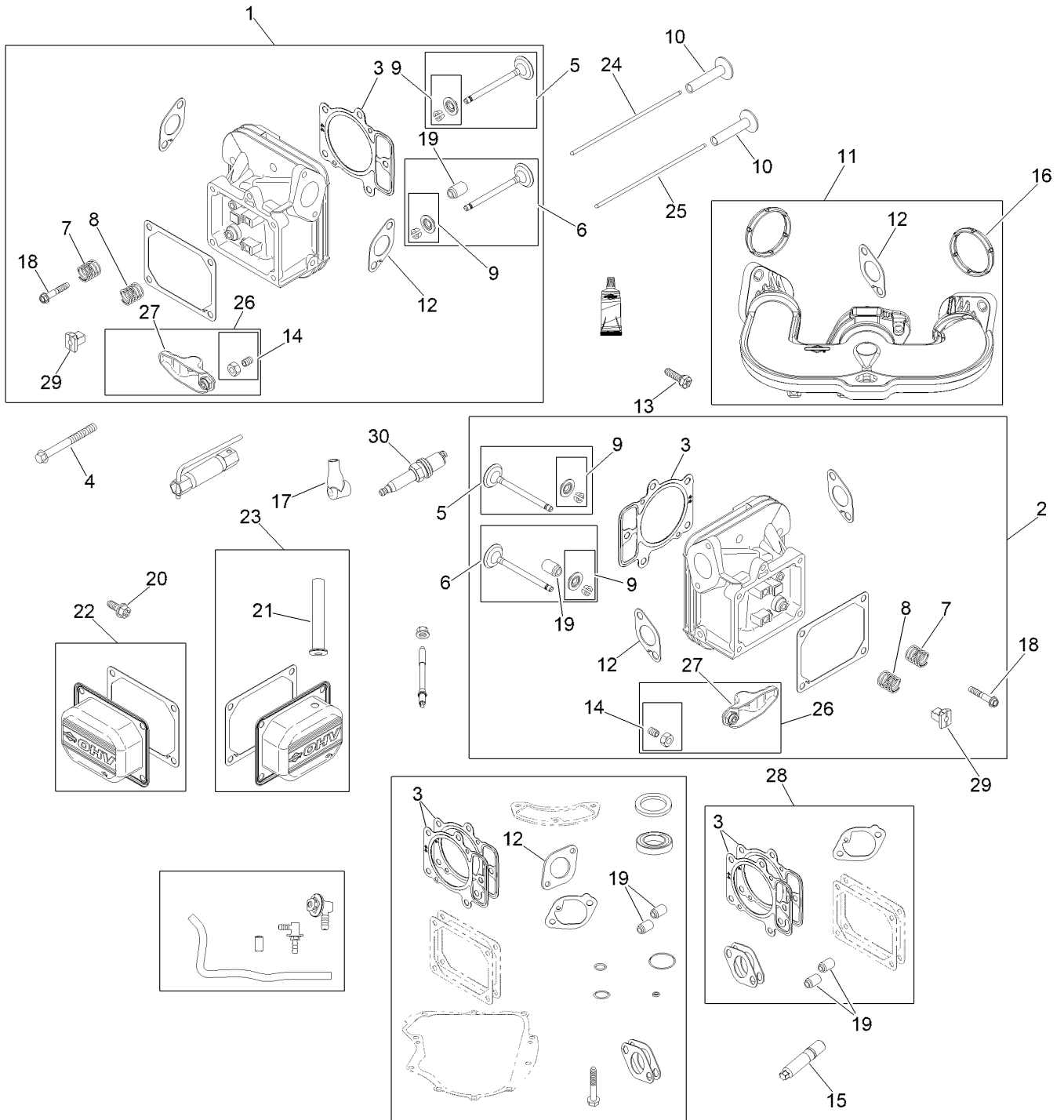
Flywheel Assembly



Flywheel Assembly (continued)

<i>Ref.</i>	<i>Part Number</i>	<i>Qty.</i>	<i>Description</i>	<i>Ref.</i>	<i>Part Number</i>	<i>Qty.</i>	<i>Description</i>
1	594169	1	Flywheel	8	691061	4	Screw
2	494439	1	Screen-Rotating	9	19621	1	Puller, Flywheel
3	698425	4	Screw	10	591909	2	Screw
4	691056	1	Washer	11	593826	1	Clip, Wire
5	590476	1	Motor-Starter	12	593638	4	Screw
6	691059	1	Nut	13	593640	1	Fan, Flywheel
7	84012885	2	Armature, Magneto	14	690272	4	Washer

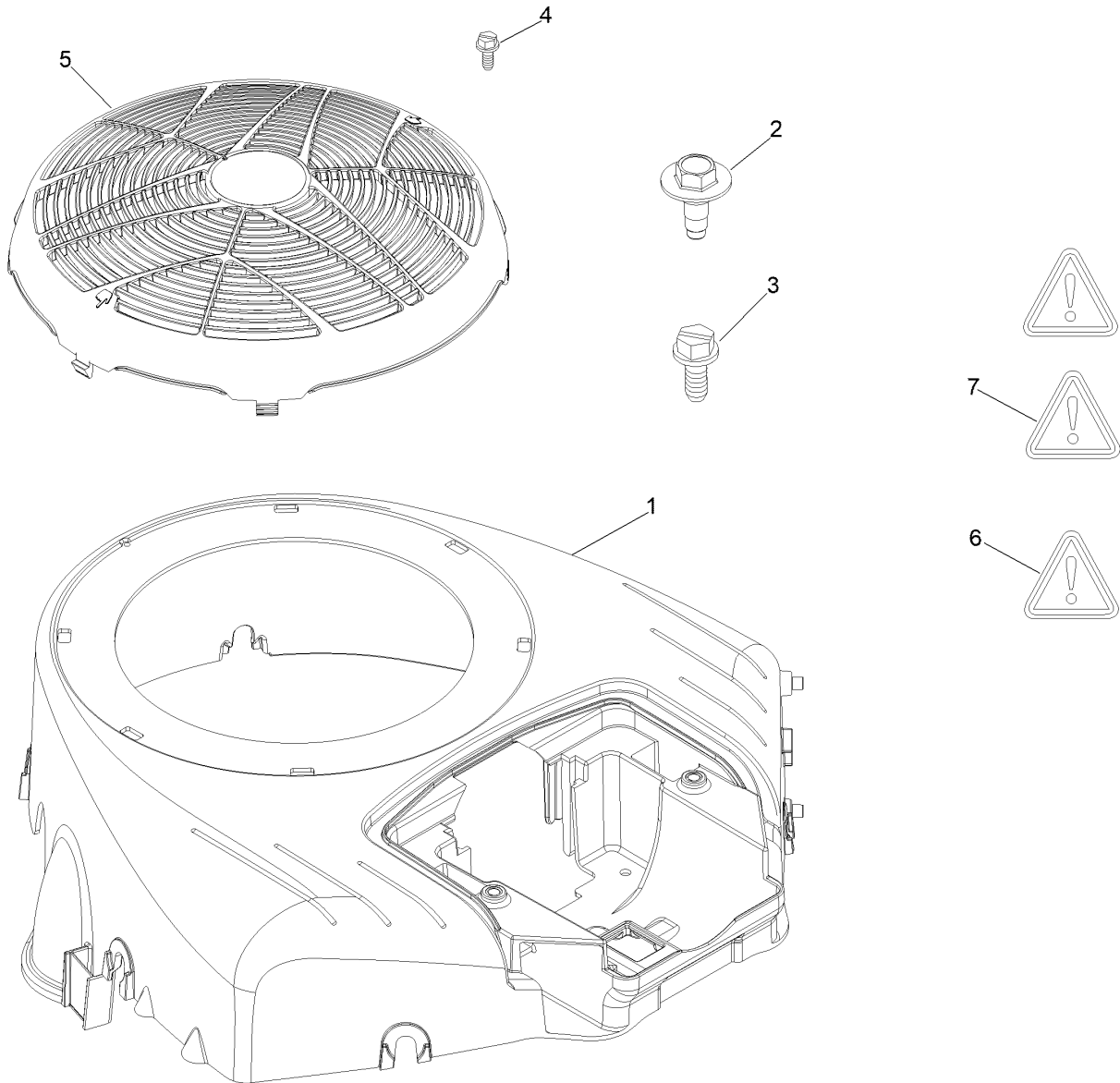
Head Exhaust Assembly



Head Exhaust Assembly (continued)

<i>Ref.</i>	<i>Part Number</i>	<i>Qty.</i>	<i>Description</i>	<i>Ref.</i>	<i>Part Number</i>	<i>Qty.</i>	<i>Description</i>
1	84001918	1	Head, Cylinder	16	594209	2	Seal, O-Ring
2	84001919	1	Head, Cylinder	17	692076	2	Boot-Spark Plug
3	693997	2	Gasket-Head, Cylinder	18	697890	4	Screw
4	592244	10	Screw-HH	19	794086	2	Seal, Valve
5	84013571	2	Valve, Exhaust	20	691127	8	Screw
6	84013572	2	Valve, Intake	21	593641	1	Hose, Vacuum
7	694865	2	Spring-Valve	22	499600	1	Cover-Arm, Rocker
8	694865	2	Spring-Valve	23	84003848	1	Cover, Rocker
9	84012308	4	Retainer Valve	24	597785	2	Rod-Push
10	690977	4	Tappet-Valve	25	690982	2	Rod-Push (Aluminum)
11	594206	1	Manifold, Intake	26	690972	4	Arm-Rocker
12	594204	1	Gasket, Intake	27	84012342	4	Arm-Rocker
13	699816	4	Screw	28	84001916	1	Valve Gasket Set
14	690083	4	Adjuster-Arm, Rocker	29	791959	4	Pivot-Arm, Rocker
15	591756	1	Stud	30	790267	2	Plug-Spark

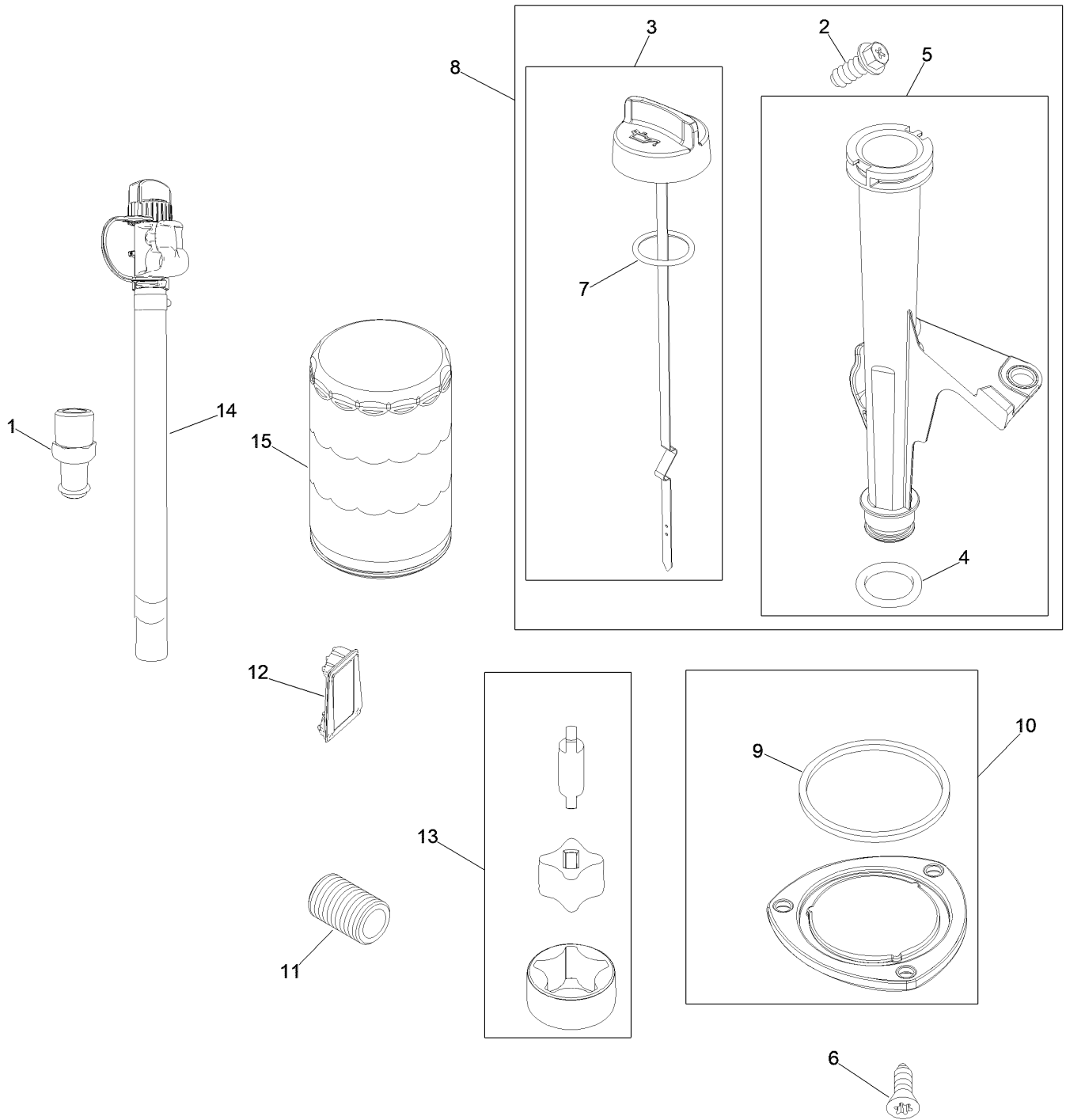
Housing Assembly



Housing Assembly (continued)

<i>Ref.</i>	<i>Part Number</i>	<i>Qty.</i>	<i>Description</i>	<i>Ref.</i>	<i>Part Number</i>	<i>Qty.</i>	<i>Description</i>
1	591656	1	Housing, Blower	5	797420YP	1	Guard, Debris Screen
2	594618	6	Screw	6	797669	1	Label, Warning
3	790690	2	Screw	7	278911GS	1	Label, Warning
4	799359	1	Screw				

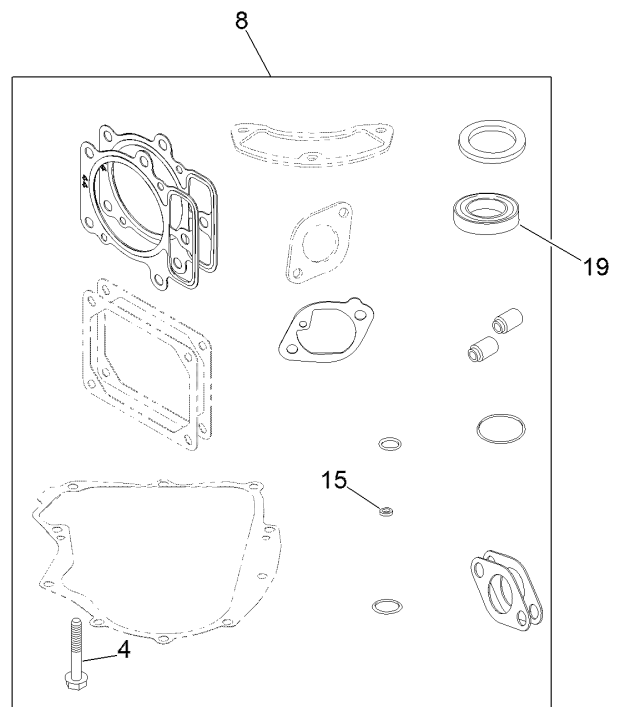
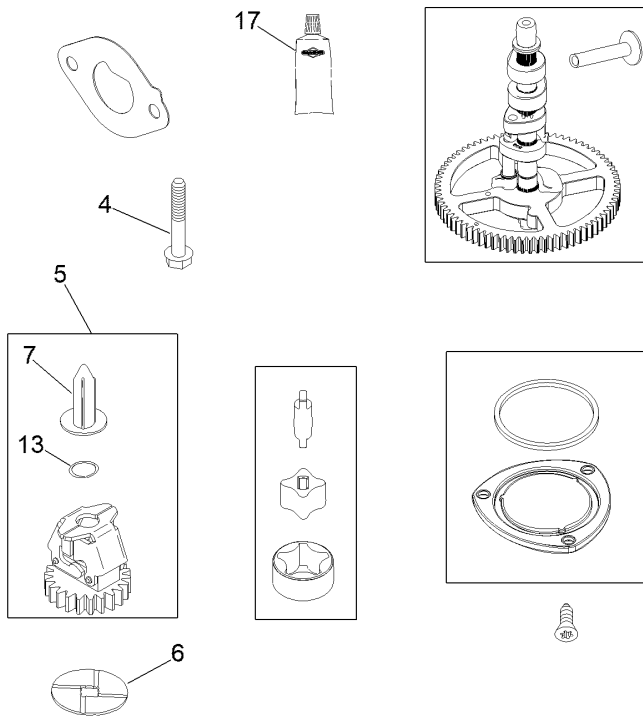
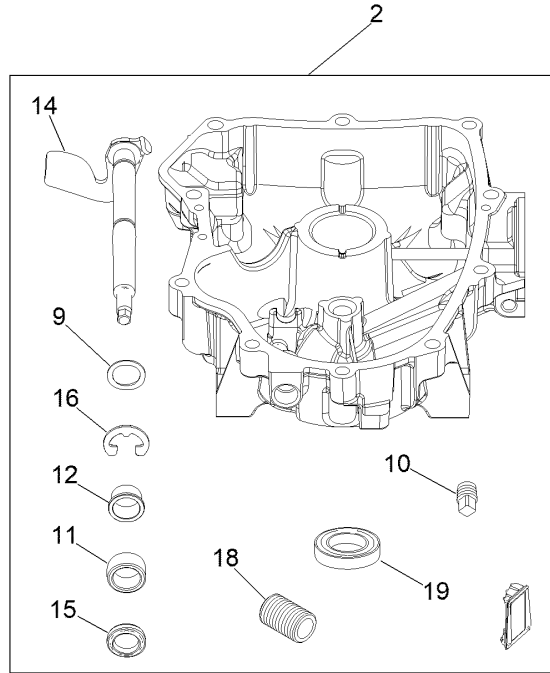
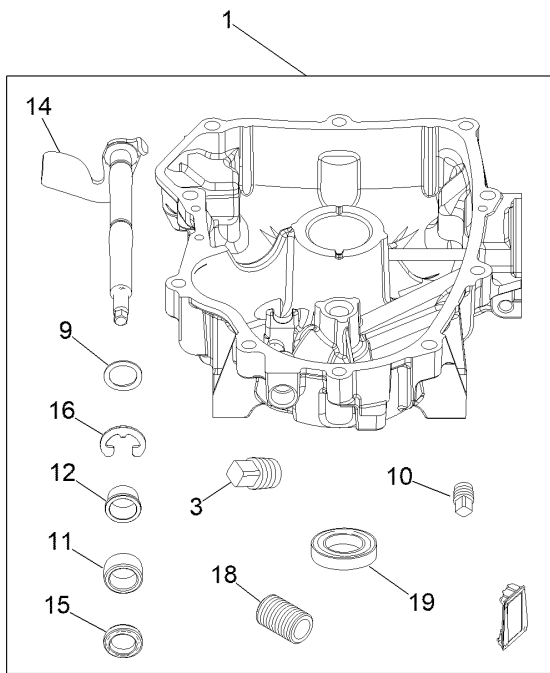
Lubrication Service Assembly



Lubrication Service Assembly (continued)

<i>Ref.</i>	<i>Part Number</i>	<i>Qty.</i>	<i>Description</i>	<i>Ref.</i>	<i>Part Number</i>	<i>Qty.</i>	<i>Description</i>
1	796532	1	Fitting-Oil Drain	9	796222	1	Seal, O-Ring
2	594937	1	Screw	10	796221	1	Cover, Oil Pump
3	594528	1	Dipstick	11	690954	1	Nipple-Filter, Oil
4	691032	1	Seal-O Ring	12	796214	1	Screen, Oil Pump
5	597129	1	Tube, Dipstick	13	796220	1	Pump, Oil
6	796208	3	Screw	14	593635	1	Oil Drain Hose ASM
7	691031	1	Seal-O Ring	15	696854	1	Filteroil
8	597130	1	Dipstick/Tube ASM				

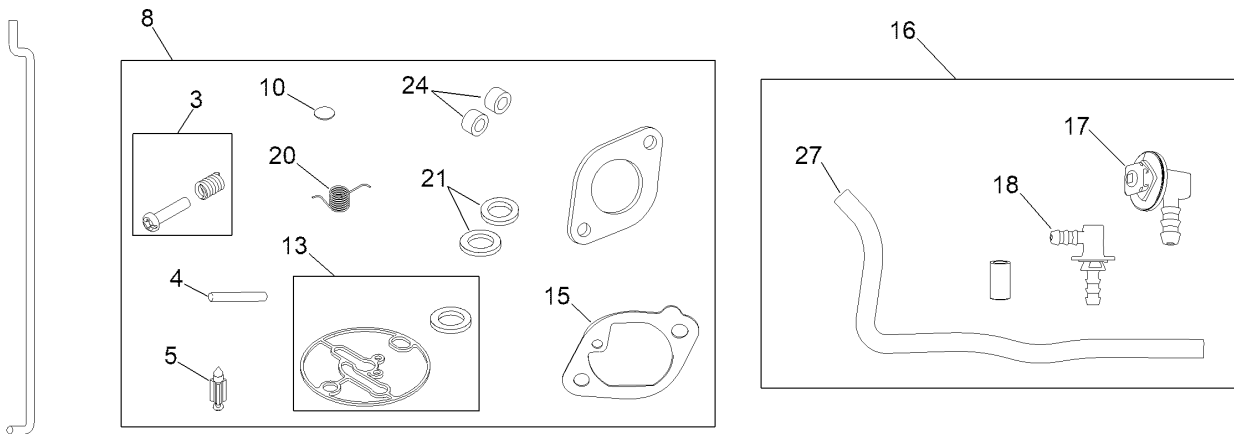
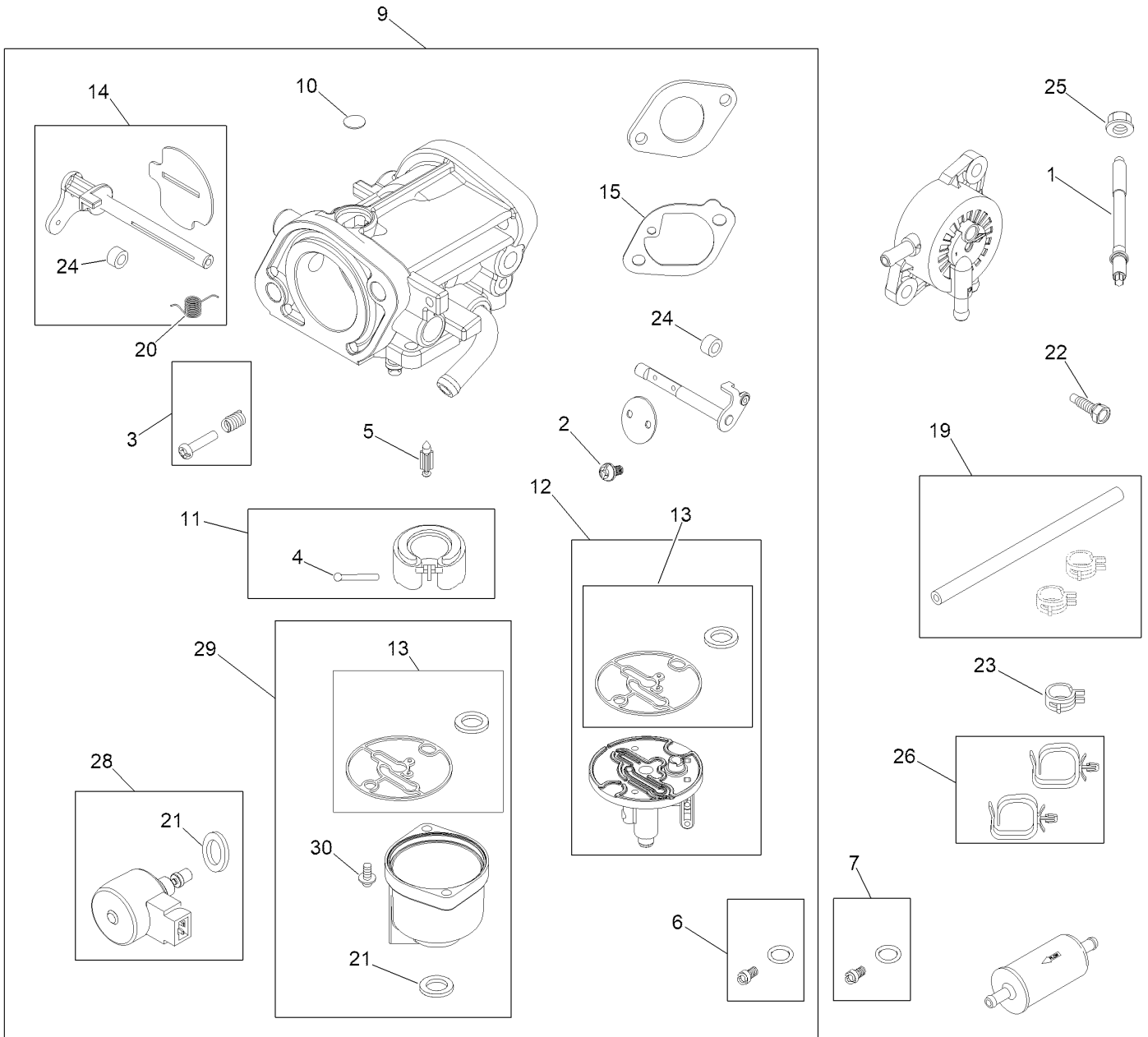
Sump Assembly



Sump Assembly (continued)

<i>Ref.</i>	<i>Part Number</i>	<i>Qty.</i>	<i>Description</i>	<i>Ref.</i>	<i>Part Number</i>	<i>Qty.</i>	<i>Description</i>
1	594974	1	Sump-Engine (Before 22051200)	9	690442	1	Washer
2	84007140	1	Sump-Engine (After 22051100)	10	794903	1	Oil Drain Plug
3	690946	1	Plug-Drain, Oil (Before 22051200)	11	796638	1	Bushing, Governor Crank
4	694966	10	Screw	12	690553	2	Bushing-Crank, Governor
5	793338	1	Gear-Governor	13	698290	1	Retainer-Shaft, Governor
6	799772	1	Washer	14	691045	1	Crank-Governor
7	841026	1	Cup, Governor	15	790574	1	Seal-Shaft, Governor
8	84001915	1	Engine Gasket Set	16	690328	2	Retainer-E Ring
				17	100106-BS	1	Sealant, Liquid
				18	690954	1	Nipple-Filter, Oil
				19	795387	1	Seal, Oil

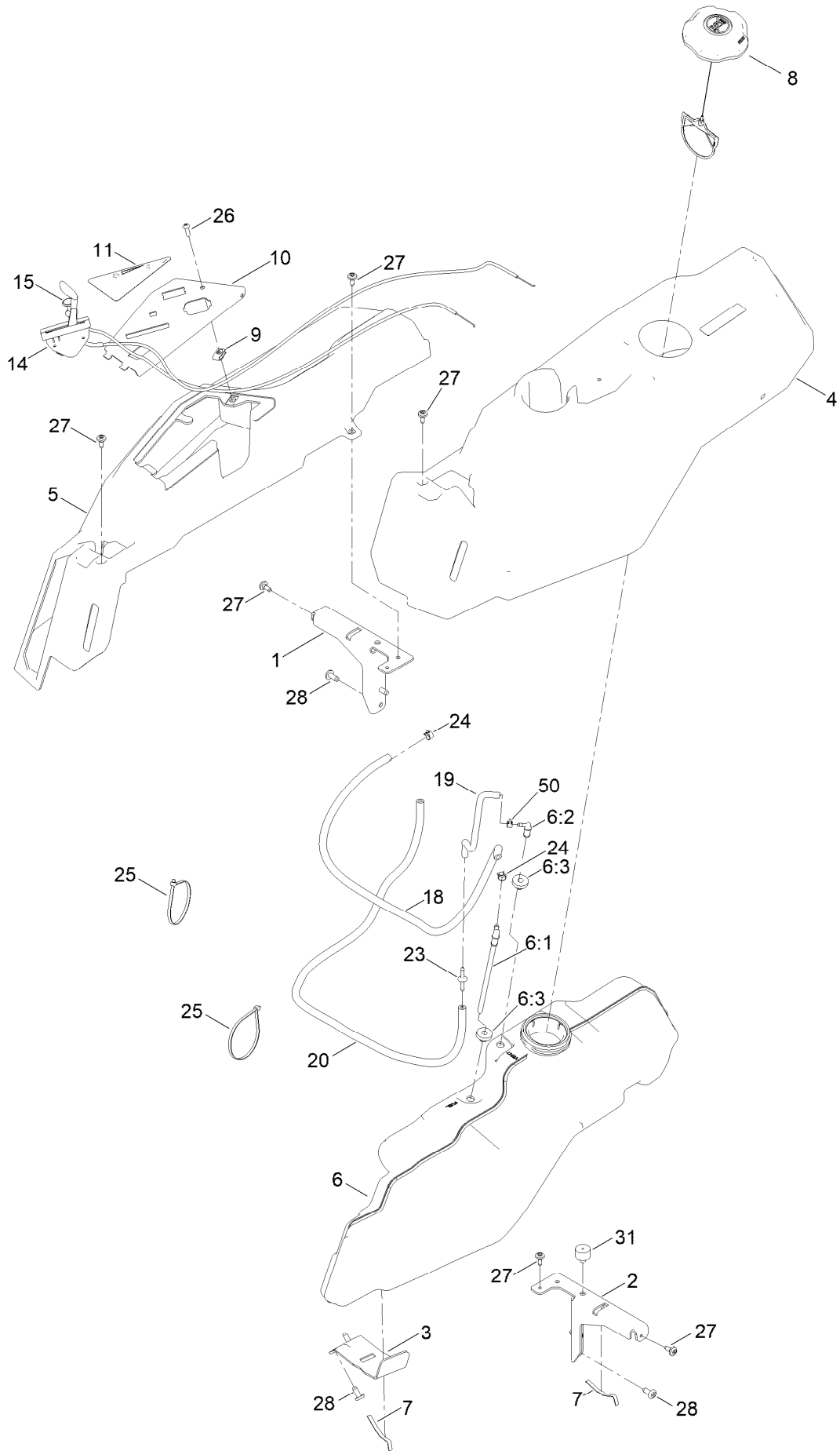
Carburetor and Fuel Assembly



Carburetor and Fuel Assembly (continued)

<i>Ref.</i>	<i>Part Number</i>	<i>Qty.</i>	<i>Description</i>	<i>Ref.</i>	<i>Part Number</i>	<i>Qty.</i>	<i>Description</i>
1	690951	2	Stud	16	799158	1	Connector-Hose
2	690718	2	Screw	17	845141	1	Connector-Hose
3	695408	1	Idle Speed Kit	18	594428	1	Connector-Hose
4	694918	1	Pin-Hinge, Float	19	791766	1	Line-Fuel
5	698537	1	Valve-Needle, Float	20	799771	1	Spring, Choke Return
6	842585	1	Jet-Main	21	695410	1	Washer-Sealing
7	791502	1	Jet-Main	22	797409	2	Screw
8	84001917	1	Carburetor Overhaul Kit	23	691038	2	Clamp-Hose
9	594207	1	Carburetor	24	699813	1	Seal-Shaft, Throttle
10	699810	1	Plug-Welch	25	690958	2	Nut
11	694914	1	Carburetor Float ASM	26	691010	2	Clip
12	591701	1	Tube-Fuel Transfer	27	799160	1	Hose-Vacuum
13	698781	1	Gasket-Bowl, Float	28	596039	1	Solenoid-Fuel
14	594211	1	Choke Shaft Kit	29	591699	1	Bowl-Float
15	594203	1	Gasket-Intake	30	695407	2	Screw

Fuel and Body Styling Assembly

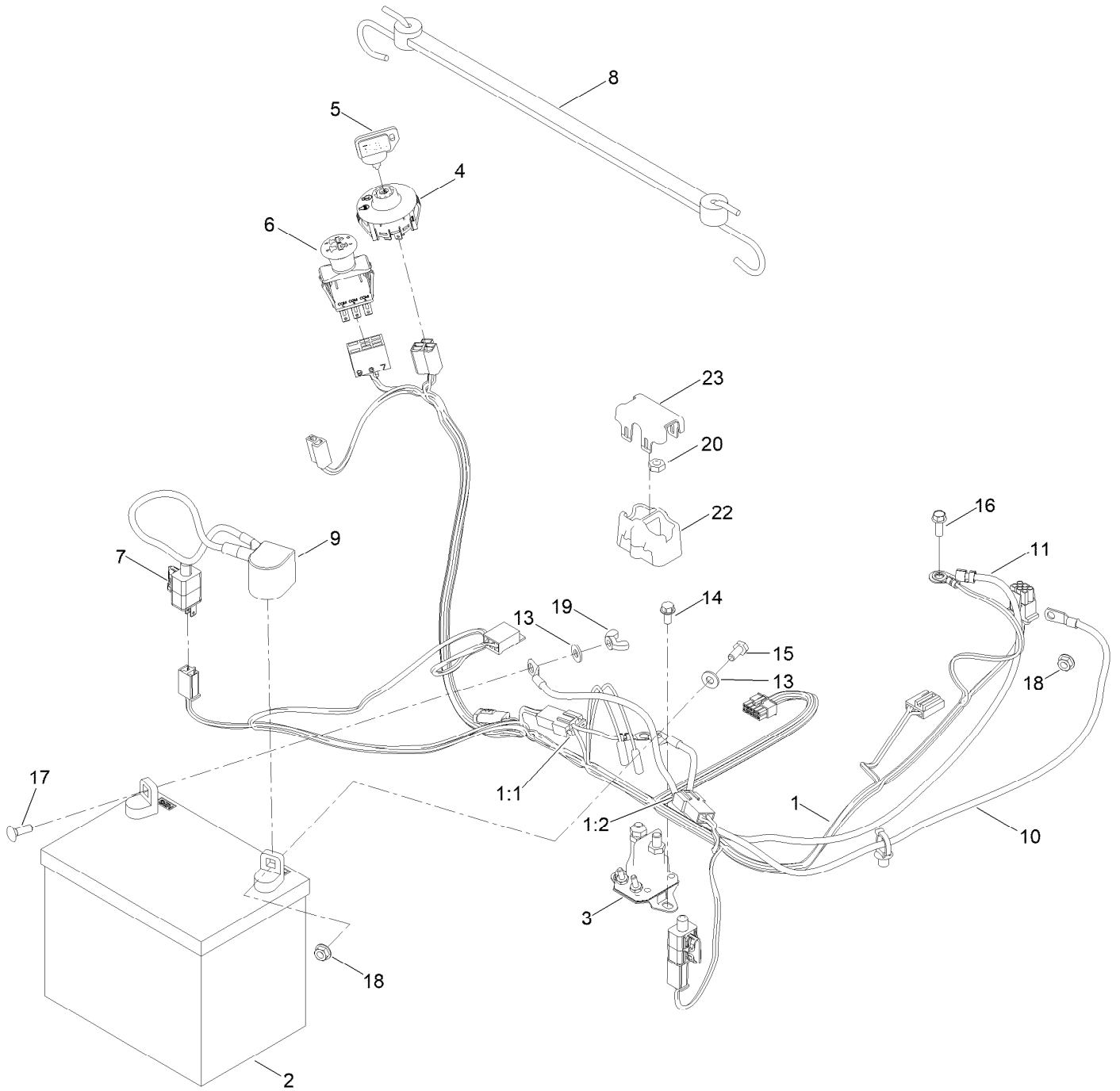


Fuel and Body Styling Assembly (continued)

<i>Ref.</i>	<i>Part Number</i>	<i>Qty.</i>	<i>Description</i>	<i>Ref.</i>	<i>Part Number</i>	<i>Qty.</i>	<i>Description</i>
1	138-6070-03	1	Support-Pod, RH	14	147-7698	1	Cable-Throttle
2	138-6071-03	1	Support-Pod, LH	15	139-2402	1	Cable-Choke
3	139-3271-03	1	Support-Tank, Fuel	18	109-0307	1	Hose-Fuel
4	138-6074	1	Pod-LH	19	136-6345	1	Hose-Fuel
5	138-6075	1	Pod-RH	20	110-3958	1	Hose-Fuel ●
6	144-5304	1	Tank-Fuel ASM	23	144-1983	1	Adapter Orifice
6:1	139-1091	1	Connector-Elbow, 90 DEG	24	2412-98	2	Clamp-Hose
6:2	144-5302	1	Fitting-Elbow 90	25	3290-379	2	Tie-Cable
6:3	46-6560	2	Bushing	26	3258-166	1	Screw-PRH
7	609830	2	Spring	27	120-7950	6	Screw-Torx
8	137-4119	1	Cap-Fuel, Ratcheting	28	138-9753	6	Screw
9	107069	1	Clip	31	120-7893	1	Bumper-Grommet
10	139-2380-03	1	Panel - Control	50	2412-80	1	Clamp-Hose
11	139-2391	1	Decal-Panel, Control				

● Not illustrated

Electrical Assembly



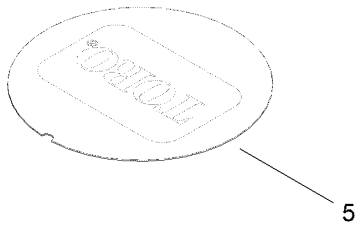
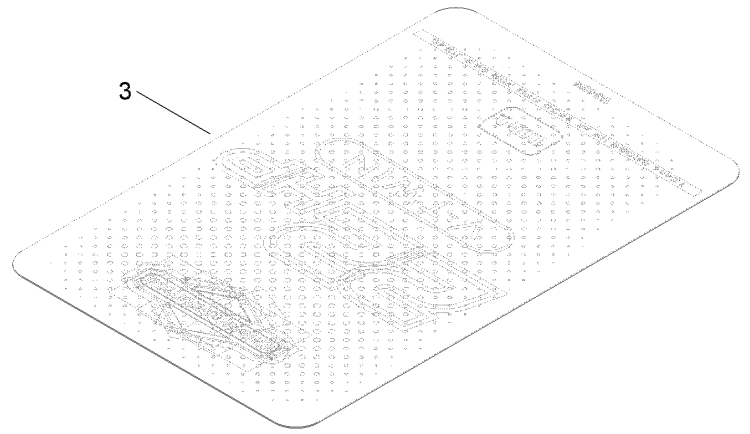
Electrical Assembly (continued)

<i>Ref.</i>	<i>Part Number</i>	<i>Qty.</i>	<i>Description</i>	<i>Ref.</i>	<i>Part Number</i>	<i>Qty.</i>	<i>Description</i>
1	161-6631	1	Harness-Wire, Main	11	121-5726	1	Cable-Battery, Black
1:1	109355	1	Fuse-Blade, 15 Amp	13	3256-22	2	Washer-Flat
1:2	109102	1	Fuse-Blade, 25 Amp	14	32144-4	2	Screw-HWH
2	105-1692	1	Battery- Dry, 12V, 230 CCA	15	321-3	1	Screw-HH
3	117-1197	1	Solenoid	16	32144-85	1	Screw-HWH Thd Form
4	137-4100	1	Switch-Ignition	17	3229-1	1	Screw-CARR
5	63-8360	1	Key-Ignition	18	32128-33	2	Nut-HF
6	103-5221	1	Switch-PTO	19	32103-22	1	Nut-Wing
7	110-6765	2	Switch	20	3220-2	2	Nut-Hex Jam
8	139-2381	1	Strap-Rubber	22	140-2080	1	Cover-Solenoid
9	140-2713	1	Cable-Battery, Pos	23	140-2081	1	Cap-Solenoid
10	139-2431	1	Cable-Battery, Red (8 Gauge)				

42 Inch Deck and Decal Assembly (continued)

<i>Ref.</i>	<i>Part Number</i>	<i>Qty.</i>	<i>Description</i>	<i>Ref.</i>	<i>Part Number</i>	<i>Qty.</i>	<i>Description</i>
1	138-9761	1	42 Inch Deck And Decal ASM	23	138-7262	1	Arm-Idler (Mty/Wdm)
1:2	132-0872	2	Decal-Danger, Deck	24	138-7270	1	Guide-Belt, Idler
1:3	130-0731	1	Decal-Danger	25	323-11	1	Screw-HH
1:5	105-7015	1	Decal-Routing, Belt	26	119-8819	1	V-Belt
5	117-1222	1	Decal	27	137-2019	1	Rod-Pivot
6	139-3214	2	Spindle ASM	28	137-7046	1	Deflector
6:2	120-7935	2	Spacer	29	138-7268	1	Spring-Torsion
6:3	138-9770	2	Bearing-Ball	30	3296-59	1	Nut-Lock, NI
7	32144-41	8	Screw-Taptite	31	1-603299	2	Roller-Scalp, Anti
8	117-7268	2	Shaft-Spindle	32	112-3977	2	Bolt-Shoulder
9	139-2433	2	Pulley	33	133-9289	1	Fitting-Washout
10	3219-6	2	Nut-Hex	33:2	133-9290	1	O-Ring
11	137-1999-03	2	Blade	34	32144-4	2	Screw-HWH
13	145-0411	2	Bolt-Blade, Sems	35	138-7267	1	Hook-Spring, Return
14	132-9420	2	Pulley-Idler, Flat	36	138-7265	1	Spring Extension
15	3256-24	1	Washer-Plain	37	108-7889	2	Cover-Belt
16	323-9	1	Screw-HH	38	32144-1	6	Screw-Taptite
17	139-1726	3	Washer-Rebound	39	137-2036-03	1	Baffle-Blowout, Rear
18	120-2229	1	Washer	40	137-2037-03	1	Baffle-Blowout, Side
19	114-0463	2	Washer-Friction, Composite	41	321-3	8	Screw-HH
20	115-4986	1	Spacer	42	3296-42	8	Nut-Lock, NI
21	323-8	1	Screw-HH	43	95-3270	1	Connector-Hose
22	119-4042	6	Nut-HF, NI	44	139-5871	2	Pin-Deck
				57	138-7207	1	Spacer-Hub, Blower

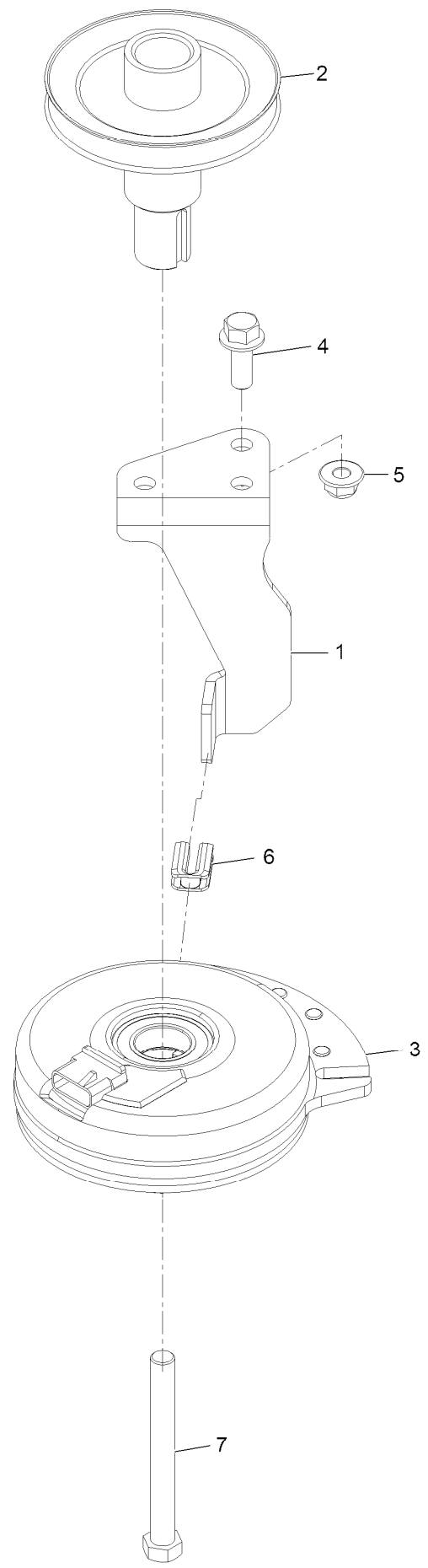
Model Specific Assembly



Model Specific Assembly (continued)

<i>Ref.</i>	<i>Part Number</i>	<i>Qty.</i>	<i>Description</i>
3	163-6084	1	Decal-Engine
5	163-6083	1	Decal-Toro Logo

Clutch Assembly



Clutch Assembly (continued)

<i>Ref.</i>	<i>Part Number</i>	<i>Qty.</i>	<i>Description</i>	<i>Ref.</i>	<i>Part Number</i>	<i>Qty.</i>	<i>Description</i>
1	138-7275	1	Stop-Clutch (Narrow)	5	119-4042	1	Nut-HF, NI
2	138-9792	1	Pulley-Engine	6	120-2217	1	Isolator-Clutch
3	117-7468	1	Clutch-Electric	7	3212-16	1	Screw-HH 7/16-20 X 4
4	3234-42	1	Screw HHF 3/8-16 X 1				

Attachments and Accessories

For 77401 — TimeCutter 42in Riding Mower

Product Name	Model/Part
Seat Cover W/O Arm Rest - TC 18in.....	117-0096
Jack Kit.....	127-6666
Fuel Stabilizer .05 oz.....	130-2393
4-Cycle Fuel, Snow And Lawn 32oz Can.....	131-3823
Toro Premium Fuel Treatment 12oz Bottle.....	131-6572
Replacement Blade Kit.....	137-1999-03P
42in Recycler Kit.....	137-7042
Bagging Enhancement Kit.....	137-7048
Front Weight Kit.....	140-2050
Assist Bar Kit.....	140-2052
LED Light Kit.....	140-2056
Deluxe Seat Kit.....	140-2057
Armrest Kit.....	140-2058
Jack Mount Kit.....	140-2711
Striping Kit, 42in and Riding Mowers.....	140-5198
Hour Meter Kit.....	147-8791
Deck Footlift Assist Kit.....	161-4527
Floormat Kit.....	161-4528
Caster Wheel Kit.....	161-4530
10W30 4-Cycle Engine Oil (32oz Bottle).....	38280
Toro 4-Cycle SAE 30 Oil (32oz Bottle).....	38903
Storage Cover.....	490-7516
Mower Deck Drive Belt, TimeCutter SS Riding Mower with 42-inch Mowing Deck.....	79004
Twin Bagger, Timecutter 42in Stamped.....	79410
ROPS Kit.....	79485
Slope Sensor Kit.....	79486

Notes:



Count on it.