



Count on it.

Parts Catalog

**18in 14-Blade Cutting Unit
Greensmaster® 1018 Mower**

Model No. 04824—Serial No. 420000000 and Up



Ordering Replacement Parts

To order replacement parts, please supply the part number, the quantity, and the description of each part desired.

Understanding Reference Numbers

Each identified part in an illustration has a reference number. The reference number for a part also appears in the parts list, along with other information about the part.

This catalog uses two special reference number formats, one to indicate parts in a service assembly and another to indicate the quantity of a given part in an illustration.

Service Assembly Reference Numbers

Parts in service assemblies have reference numbers in the form a:b. The a represents the reference number of the entire service assembly and the b represents a sequential number unique to each part within the service assembly.

For example, a wheel assembly might be identified by reference number 6, the tire by 6:1, the valve by 6:2, and the wheel by 6:3. When you order the assembly identified by reference number 6, you receive all parts identified by reference numbers 6:1, 6:2, and 6:3. However, you may also order any part individually. Reference numbers of this type appear in illustration and in parts lists.

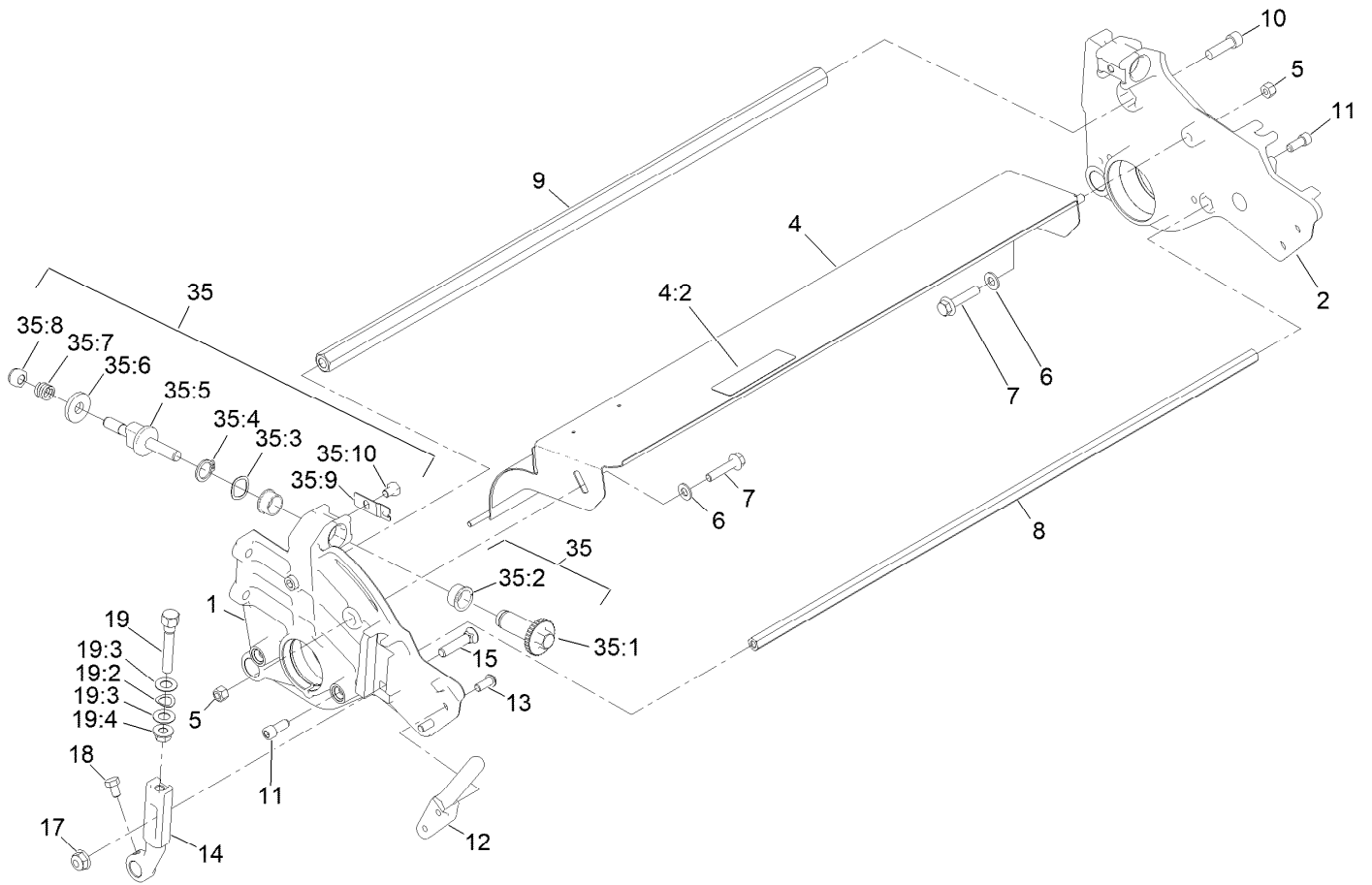
Reference Numbers Indicating Quantity

In an illustration, if a reference number indicates more than one part, the reference number has the form nX y. The n represents the quantity of the part, the X is the multiplication symbol, and the y represents the reference number.

For example, in an illustration, the reference number 2X 37 means that two of the parts identified by reference number 37 are indicated.

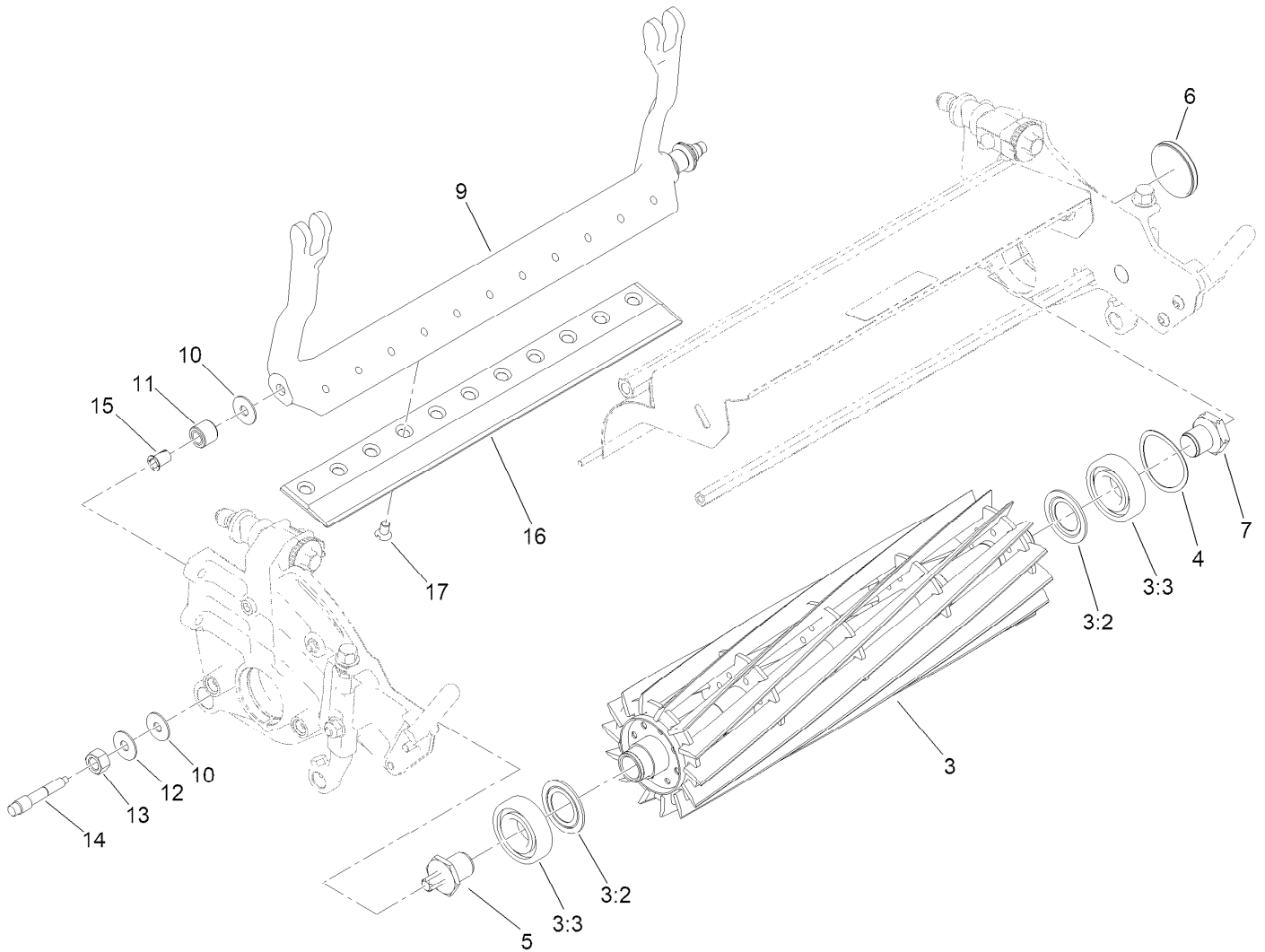
Contents

Side Plate and Grass Shield Assembly.....	4
Reel and Bedknife Assembly	5
Reel Drive Box and Weight Assembly.....	6
Reel Drive Box Assembly No. 138-1612	7
Optional Front Roller Assemblies	8
Front Roller Assembly No. 147-1153	9
18in Interlaced Narrow Wiehle Roller Assembly No. 147-1146.....	10
Extended Lace Narrow Wiehle Roller Assembly No. 147-1150	11
Attachments and Accessories	12



Side Plate and Grass Shield Assembly

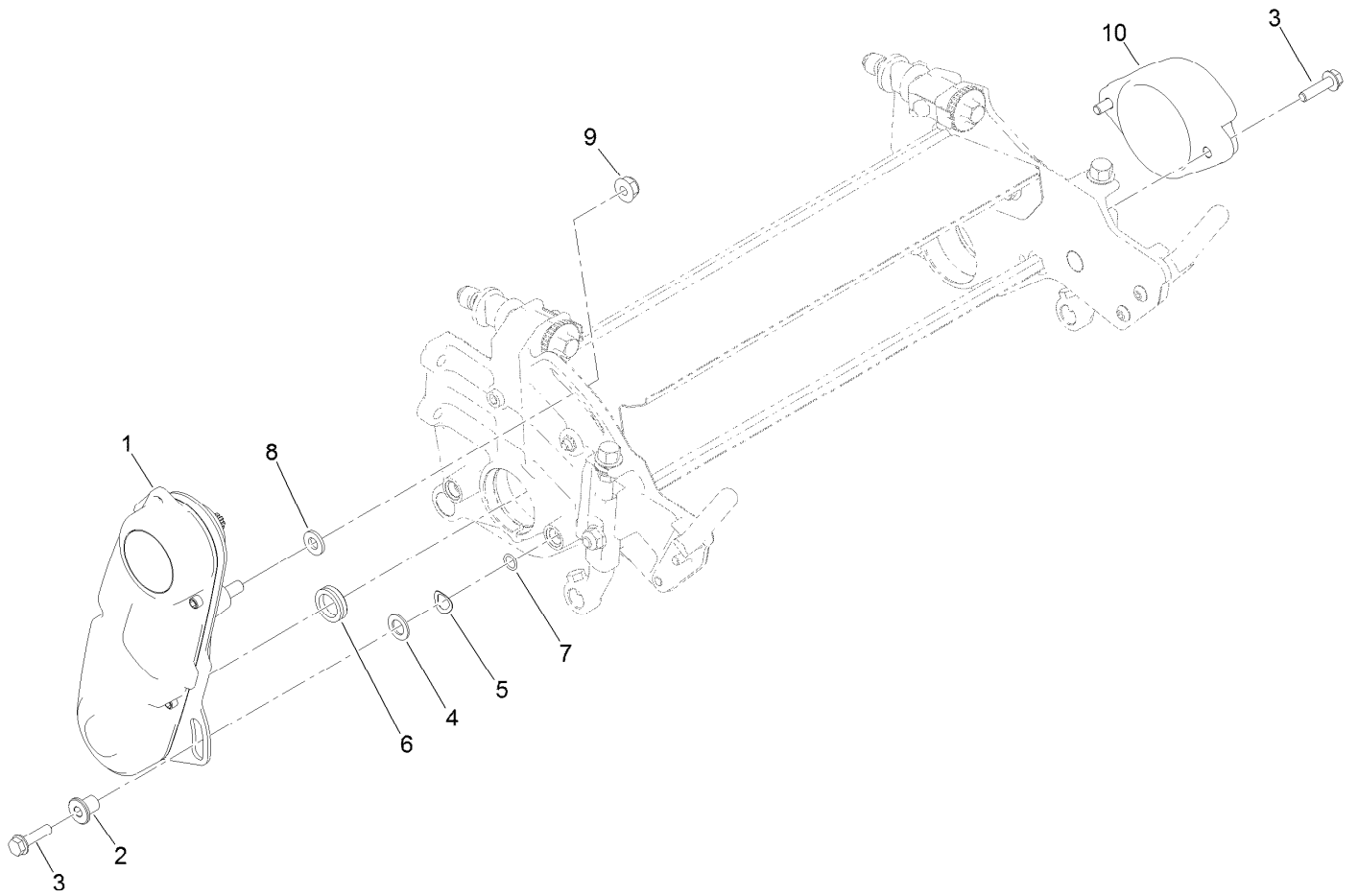
Ref.	Part Number	Qty.	Description	Ref.	Part Number	Qty.	Description
1	147-2281	1	Plate-Side, RH (Machined)	18	322-1	2	Screw-HH
2	147-2282	1	Plate-Side, LH (Machined)	19	138-1530	2	HOC Screw ASM
4	139-4377	1	Grass Shield ASM	19:2	138-1642	1	Washer-Spring
4:2	137-9706	1	Decal-Warning	19:3	138-1538	2	Washer-Special
5	3296-29	2	Nut-Lock, NI	19:4	127-6852	1	Nut-Flange, Lock
6	3256-23	2	Washer-Plain	35	121-2637	1	DPA Rebuild Kit
7	115-1794	2	Screw-HHF	35:1	106-5363	2	Shaft-Adjuster
8	138-1542	1	Rod-Frame	35:2	106-5344	4	Bushing-Flange, Keyed
9	138-1541	1	Rod-Frame	35:3	119-4164	2	Washer-Wave
10	3274-1	2	Screw-HSH	35:4	32120-93	2	Ring-Retaining
11	100-2401	2	Screw-HSH	35:5	137-6130	2	Screw-Adjuster, Bedbar
12	65-8570	2	Rod-Mounting	35:6	119-4155	2	Washer-Hardened
13	3274-55	4	Screw-HSBH	35:7	119-4156	2	Spring-Compression
14	137-0327	2	Arm-HOC	35:8	119-4039	2	Nut-Hex
15	99-3773	2	Bolt-Plow	35:9	99-2097	2	Detent
17	133-7570	2	Nut-Flange, NI	35:10	119-4067	2	Screw-HH



Reel and Bedknife Assembly

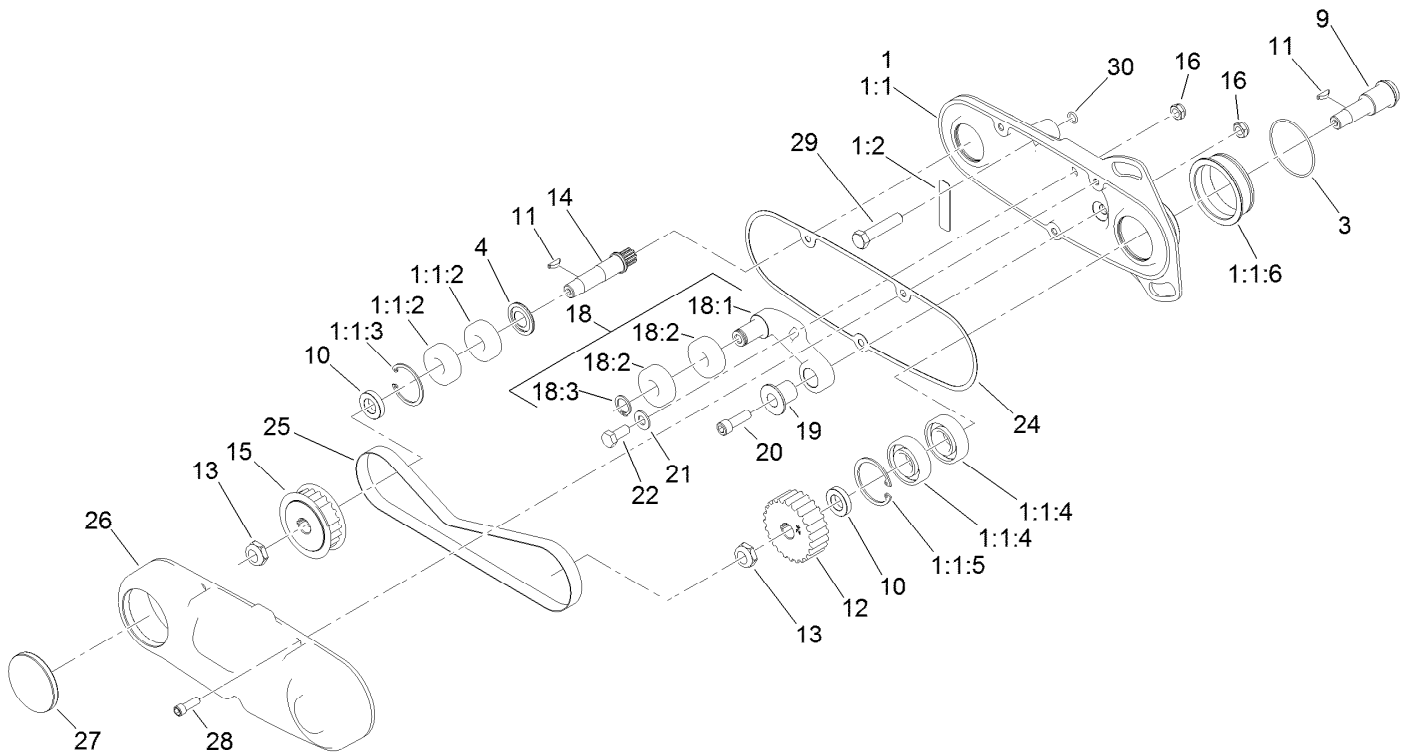
Ref.	Part Number	Qty.	Description	Ref.	Part Number	Qty.	Description
3	137-8523	1	ES Reel+,Low Drag (18), 14 Bld	15	52-2890	2	Bushing-Nylon
3:2	115-3299	2	Seal-Flocked	16	110-2300	1	Bedknife-Microcut, Extended ●
3:3	140-5510	2	Bearing-Sealed, Stainless	16	110-2301	1	Bedknife-Low Cut ●
4	115-5258	1	Spring-Wire, Flat	16	117-1530	1	Bedknife-Edgemax, Microcut
5	147-1310	1	Insert-Splined, Threaded (RH)	16	117-1532	1	Bedknife-Edgemax, Tournament ●
6	137-0325	1	Plug-Expansion	16	139-4318	1	Bedknife-Edgemax, Microcut Short ●
7	137-0326	1	Screw-Lock, Bearing	16	139-4319	1	Bedknife-Edgemax, Tournament Short ●
9	138-1520-01	1	Bedbar	16	98-7260	1	Bedknife-Tournament Cut ●
10	52-2900	4	Washer-Plastic	16	98-7261	1	Bedknife-Microcut ●
11	119-4153	2	Rubber Bushing ASM	17	119-4151	11	Screw-Bedknife
12	119-4150	2	Washer-Flat				
13	140-9234	2	Nut-Hex Lock				
14	117-9493	2	Bolt-Bedbar				

● Optional Equipment



Reel Drive Box and Weight Assembly

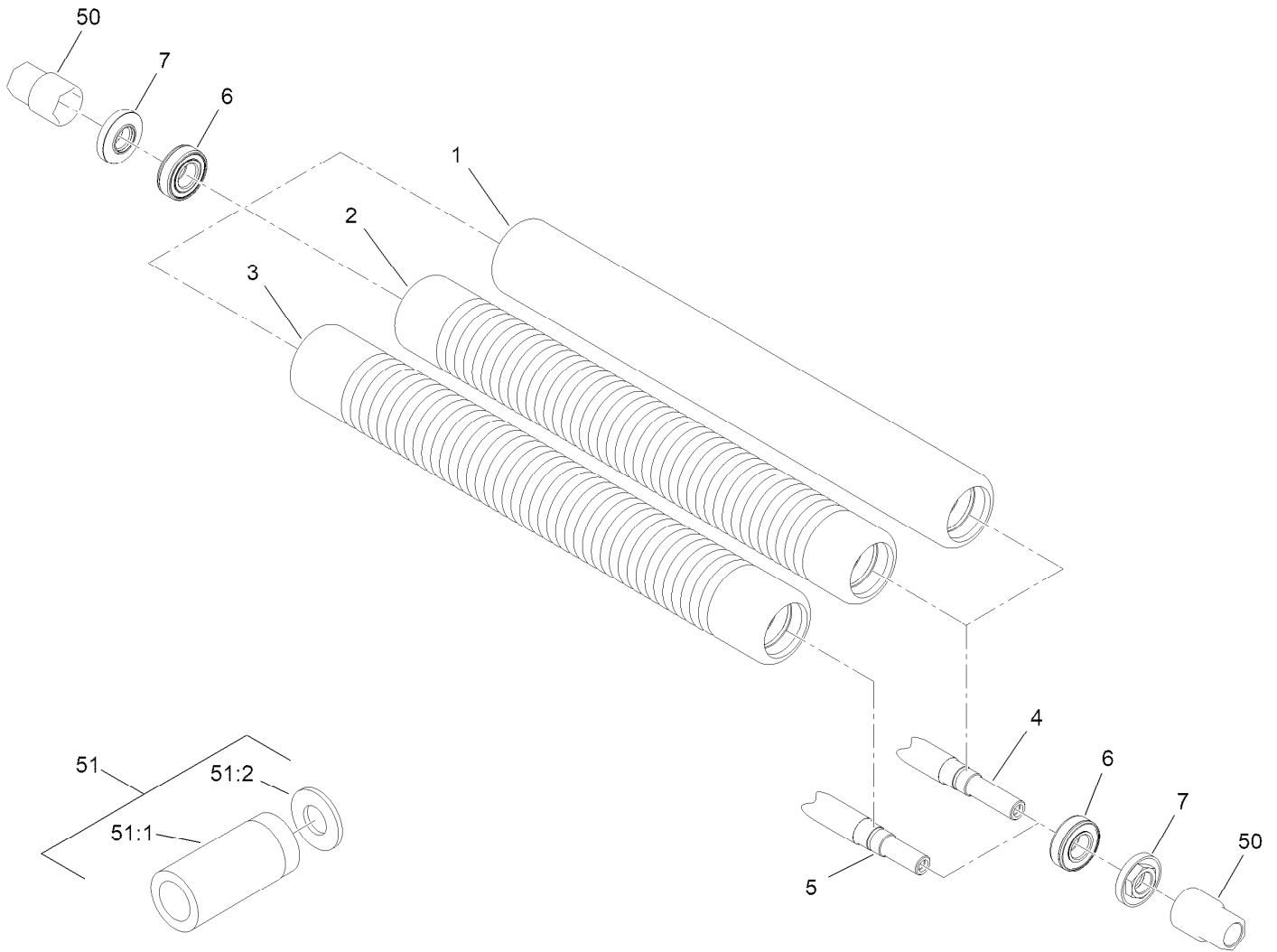
<i>Ref.</i>	<i>Part Number</i>	<i>Qty.</i>	<i>Description</i>
1	138-1612	1	Reel Drive Box ASM
2	71-4411	2	Spacer
3	112-6913	4	Screw-HF
4	100-7336	2	Washer
5	138-1642	2	Washer-Spring
6	138-1549	1	Seal
7	360-0494	2	O-Ring
8	115-7293	1	Washer-Hardened
9	133-7570	1	Nut-Flange, NI
10	138-1633-03	1	Weight



Reel Drive Box Assembly No. 138-1612

Ref.	Part Number	Qty.	Description	Ref.	Part Number	Qty.	Description
1	139-4300	1	Reel Drive Housing ASM	16	3296-47	2	Nut-Lock,NI
1:1		1	Housing ASM ●	18		1	Idler ASM ●
1:1:2	115-6869	2	Bearing-Ball, Stainless	18:1	133-9152	1	Idler Arm
1:1:3	32151-34	1	Ring-Retaining	18:2	115-6869	2	Bearing-Ball, Stainless
1:1:4	117-6831	2	Bearing-Ball, Stainless	18:3	115-6755	1	Ring-Retaining
1:1:5	107-3512	1	Ring-Snap, Internal	19	131-1847	1	Bushing-Idler
1:1:6	132-4588	1	Sleeve-Pivot	20	3274-22	1	Screw-HSH
1:2	120-9570	1	Decal-Warning	21	3256-23	1	Washer-Plain
3	360-0398	1	O-Ring	22	322-3	1	Screw-HH
4	115-6923	1	Shield-Bearing, Flocked	24	132-4590	1	Gasket-Reel Drive
9	133-9154	1	Shaft-Reel, Driven	25	140-9348	1	Belt-Reel, 75T
10	133-9155	2	Spacer-Pulley, Reel	26	133-9161	1	Cover-Drive, Reel
11	937218	2	Key-Hipro	27	137-0325	1	Plug-Expansion
12	121-4724	1	Pulley-Reel, 24 Tooth	28	3274-8	3	Screw-HSH
13	3296-45	2	Nut-Hex	29	323-9	1	Screw-HH
14	138-1613	1	Shaft-Drive, Reel	30	237-21	1	O-Ring
15	121-4722	1	Pulley-Reel, 22 Tooth				

● Not serviced separately

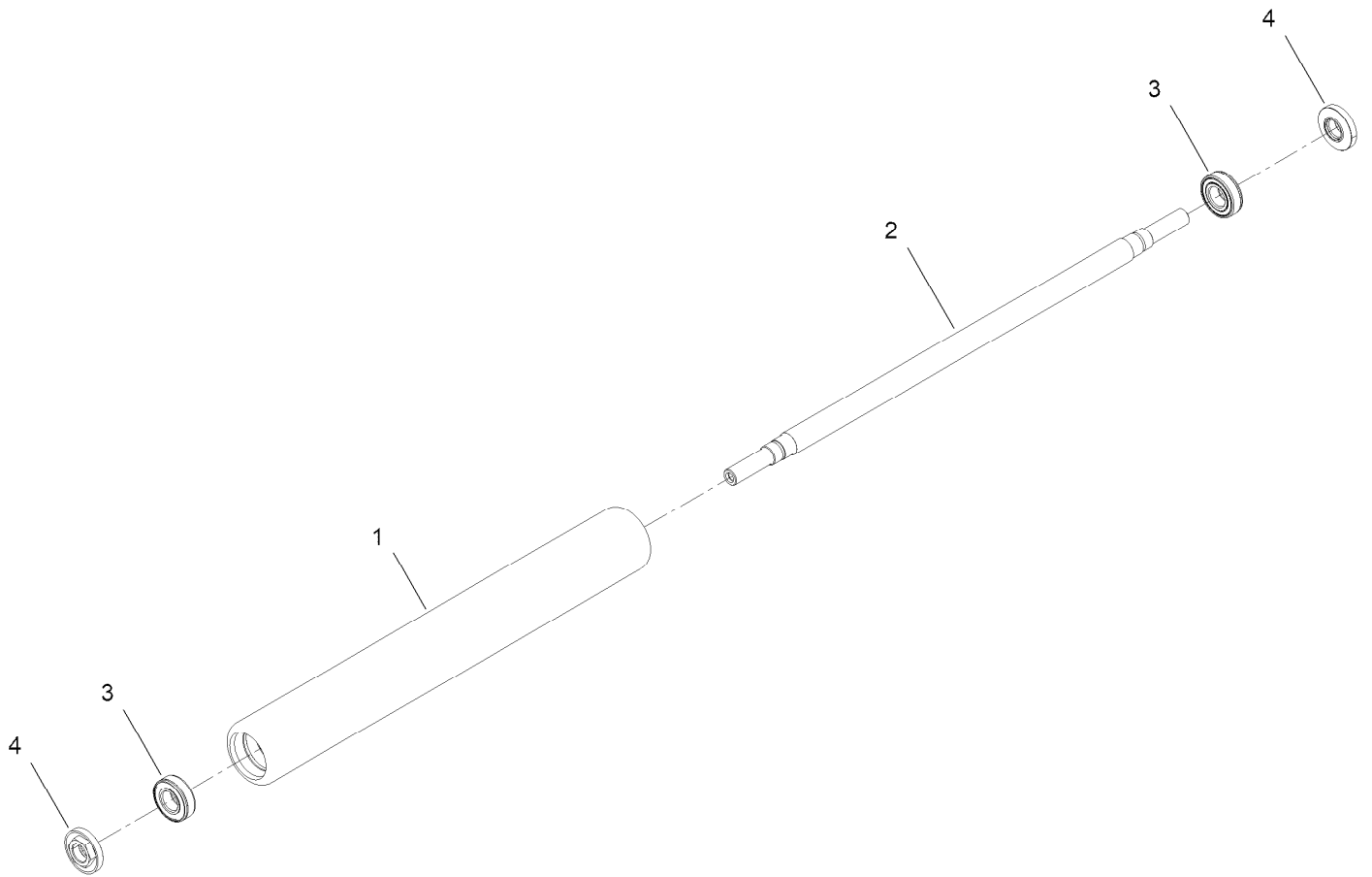


Optional Front Roller Assemblies

Ref.	Part Number	Qty.	Description
1	147-1153	1	GR18 Full Front Roller ASM
2	147-1146	1	GR18 Lace Narrow Wiehle Roller ASM
3	147-1150	1	GR18 EXT Lace Narrow Wiehle Roller
4	147-1340	1	Shaft-Roller (18In)
5	147-1342	1	Shaft-Roller (18In, EXT-Int)
6	147-1500	2	Bearing-Ball ■
7	147-0702	2	Nut-Bearing Lock
50	147-1132	2	Tool-Drive, Roller Nut ●
51	140-5553	2	GR Roller Rebuild Tool Kit ●
51:1	107-8133	1	Washer-Flat
51:2	115-0853	1	Tool-Bearing/Outer Seal

● Optional Service Tool

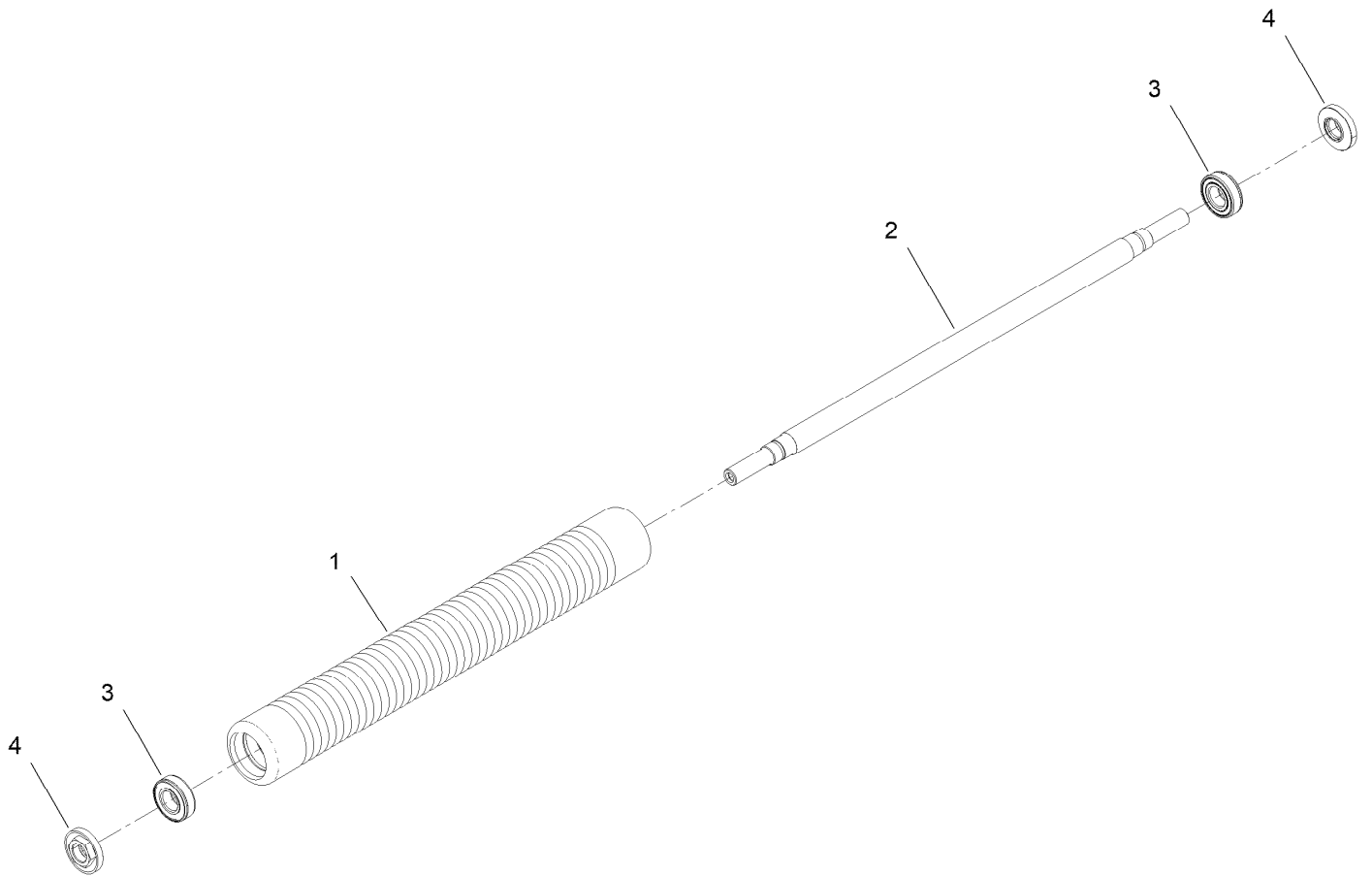
■ Red Seal on bearing must face outside of tube



Front Roller Assembly No. 147-1153

<i>Ref.</i>	<i>Part Number</i>	<i>Qty.</i>	<i>Description</i>
1	147-1151	1	Tube-Roller, 2.5In Full(18In)
2	147-1340	1	Shaft-Roller (18In)
3	147-1500	2	Bearing-Ball ●
4	147-0702	2	Nut-Bearing Lock

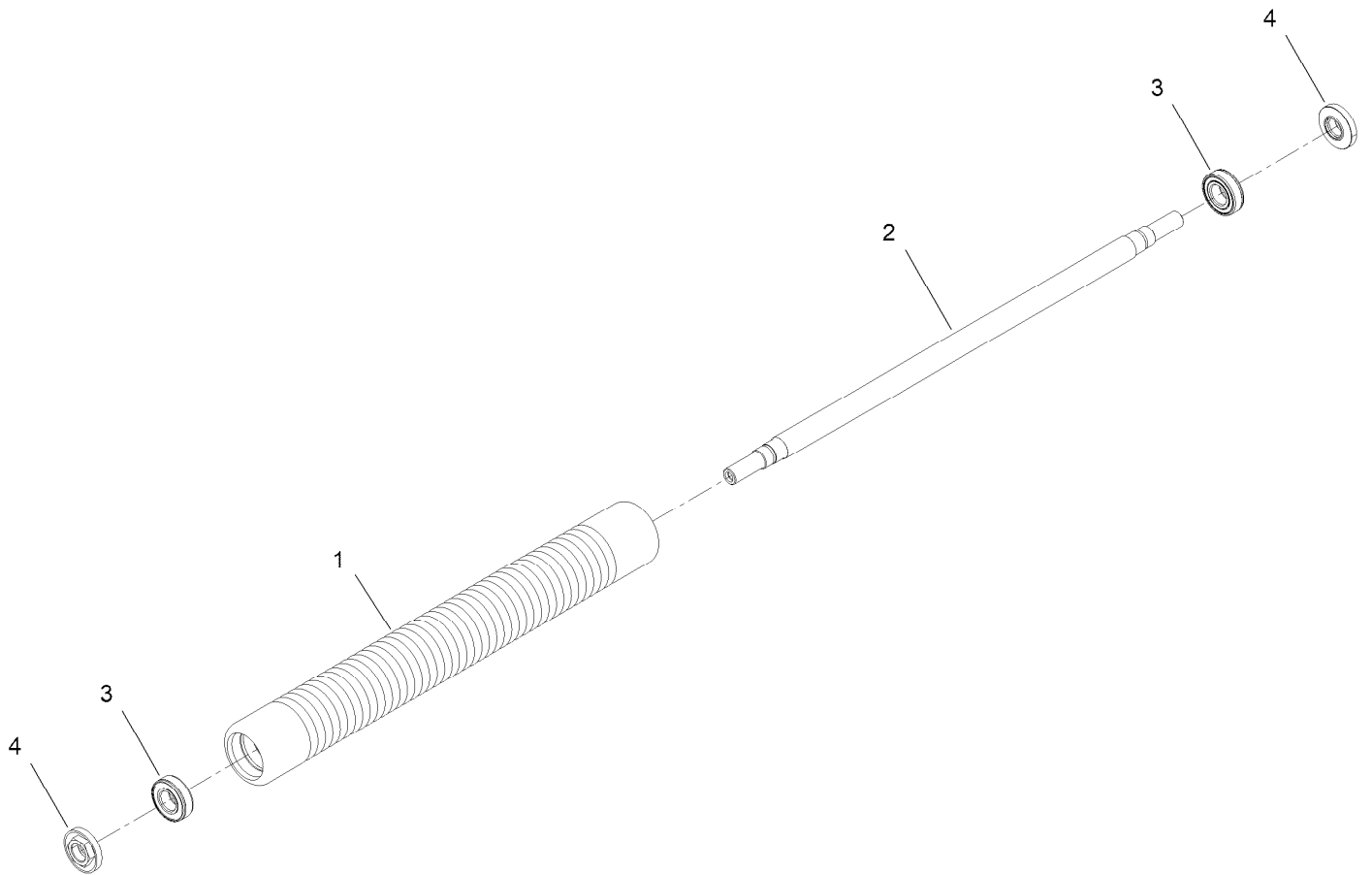
● Red Seal on bearing must face outside of tube



18in Interlaced Narrow Wiehle Roller Assembly No. 147-1146

<i>Ref.</i>	<i>Part Number</i>	<i>Qty.</i>	<i>Description</i>
1	147-1144	1	Tube-Roller,Lace Narrow Wiehle(18In)
2	147-1340	1	Shaft-Roller (18In)
3	147-1500	2	Bearing-Ball ●
4	147-0702	2	Nut-Bearing Lock

● Red Seal on bearing must face outside of tube



Extended Lace Narrow Wiehle Roller Assembly No. 147-1150

<i>Ref.</i>	<i>Part Number</i>	<i>Qty.</i>	<i>Description</i>
1	147-1148	1	Tube-Roller,EXT Lace Wiehle(18In)
2	147-1342	1	Shaft-Roller (18In, EXT-Int)
3	147-1500	2	Bearing-Ball ●
4	147-0702	2	Nut-Bearing Lock

● Red Seal on bearing must face outside of tube

Attachments and Accessories

For 04824 — 18in 14-Blade Cutting Unit Greensmaster 1018 Mower

Product Name	Model/Part
GR18 Interlace Narrow Wiehle Roller ASM	04094
GR18 Extended Lace Narrow Wiehle Roller ASM	04095
GR18 Full Front Roller ASM	04096
GR18 Lace Narrow Wiehle Roller ASM	147-1146
GR18 Extended Lace Narrow Wiehle Roller	147-1150
GR18 Full Front Roller ASM	147-1153
Front Scraper Kit for Narrow Wiehle Roller	120-9615
Front Scraper Kit for Full Roller.....	120-9617
Front Brush Kit for Narrow Wiehle Roller	120-9621
Front Brush Kit for Full Roller	120-9623
Interlaced Roller Scraper Asm (18 Inch)	139-7411
Interlaced Roller Scraper Brush Asm (18 Inch)	139-7412
GR18 Rear Roller ASM.....	147-1156
Rear Roller Scraper Kit, 18in Greensmaster Flex Cutting Reel	140-5590
Universal Groomer Drive Kit	04648
Universal Groomer Drive	04707
18in Soft Grooming Brush.....	04268
18in Stiff Grooming Brush.....	04269
18in Twin Tip Groomer Reel	04801
18in Soft Grooming Brush Kit.....	127-1545
18in Stiff Grooming Brush Kit.....	127-1546
Blade-GR Groomer, Twin Tip (0.032in).....	140-5580
Blade-GR Groomer, Helix (0.028in).....	140-5581
Blade-GR Groomer, Helix (0.015in).....	140-5582
Roller Extension Kit	115-7361
High Height-of-Cut Arms (Qty 1).....	120-9600
Rear Roller Adjustment (Qty 1).....	120-9602
Access Backlap Kit	139-4342
Extended HOC Arm	99-4286
Bedbar	110-2281-01
Bedbar-Aggressive	110-2281-0P
Bedbar-18in	138-1520-01
Bedknife-Microcut, Extended.....	110-2300
Bedknife-Low Cut	110-2301
Bedknife-EDGEMAX, Microcut.....	117-1530
Bedknife-EDGEMAX, Tournament	117-1532
Bedknife-EDGEMAX, Microcut Short	139-4318
Bedknife-EDGEMAX, Tournament Short	139-4319
Bedknife-Tournament	98-7260
Bedknife-Microcut.....	98-7261
MVP Kit-Cutting Unit Re-Build	121-2637
Turf Evaluator	04399
Toro Reel Paper (10 Pack).....	125-5610
Angle Indicator.....	131-6828
Angle Indicator Mount.....	131-6829
Tool-Syringe.....	137-0872

Attachments and Accessories (continued)

Tool-Drive Shaft Removal	137-0920
Shim-Toro Reel (.002in).....	140-5531
Tool-Drive, Roller Nut.....	147-1132
Height-of-Cut Bar.....	94-9010
Paint-Black Bottle	112-0176
Paint-Red Bottle	112-0178
Toro Red 12oz Aerosol Can.....	361-10
New Red Paint - Gallon	361-11
Semi-Gloss Black Spray Paint.....	361-9
Premium All Purpose Grease (Tube)	108-1190

Notes:

Notes:



Count on it.