



**Count on it.**

**Parts Catalog**

**Greensmaster® 3300 TriFlex®  
Traction Unit**

Model No. 04510—Serial No. 420600000 and Up



# Ordering Replacement Parts

To order replacement parts, please supply the part number, the quantity, and the description of each part desired.

## Understanding Reference Numbers

Each identified part in an illustration has a reference number. The reference number for a part also appears in the parts list, along with other information about the part.

This catalog uses two special reference number formats, one to indicate parts in a service assembly and another to indicate the quantity of a given part in an illustration.

## Service Assembly Reference Numbers

Parts in service assemblies have reference numbers in the form a:b. The a represents the reference number of the entire service assembly and the b represents a sequential number unique to each part within the service assembly.

For example, a wheel assembly might be identified by reference number 6, the tire by 6:1, the valve by 6:2, and the wheel by 6:3. When you order the assembly identified by reference number 6, you receive all parts identified by reference numbers 6:1, 6:2, and 6:3. However, you may also order any part individually. Reference numbers of this type appear in illustration and in parts lists.

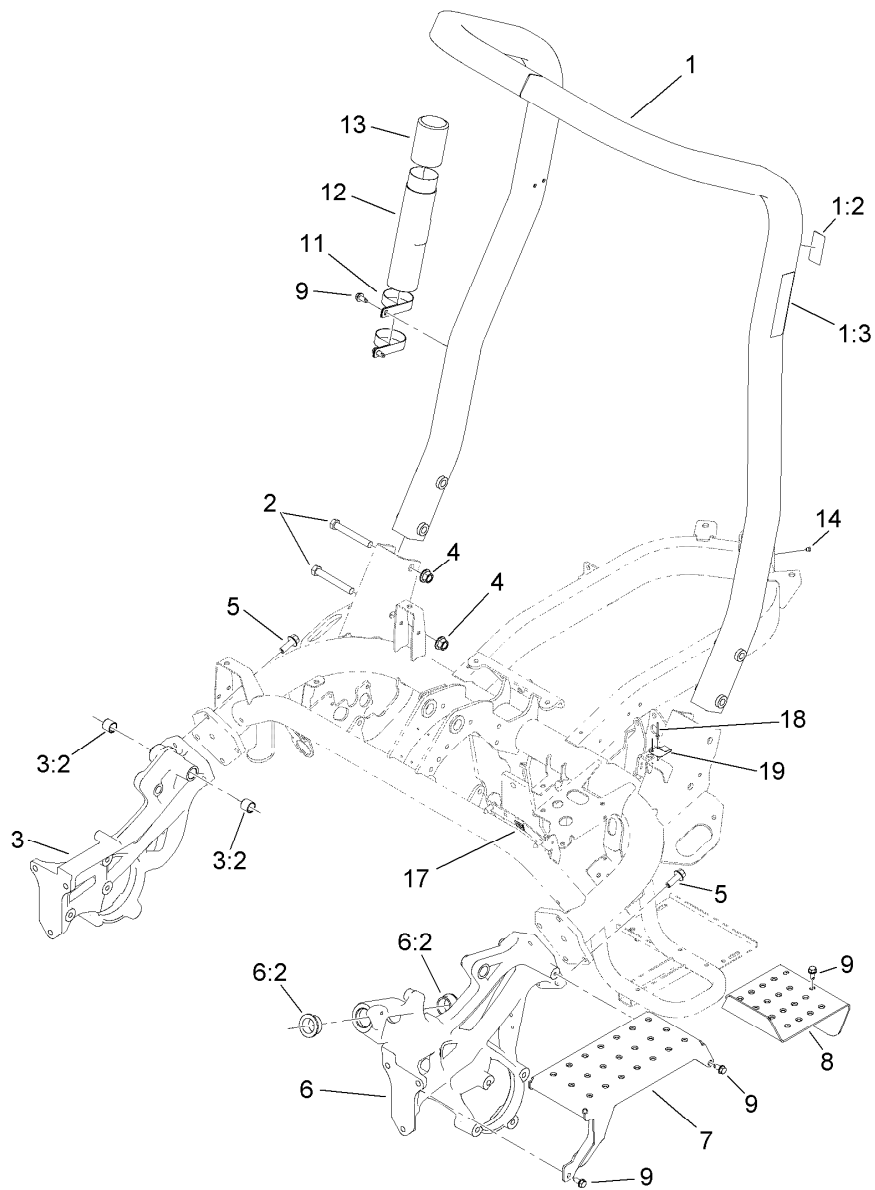
## Reference Numbers Indicating Quantity

In an illustration, if a reference number indicates more than one part, the reference number has the form nX y. The n represents the quantity of the part, the X is the multiplication symbol, and the y represents the reference number.

For example, in an illustration, the reference number 2X 37 means that two of the parts identified by reference number 37 are indicated.

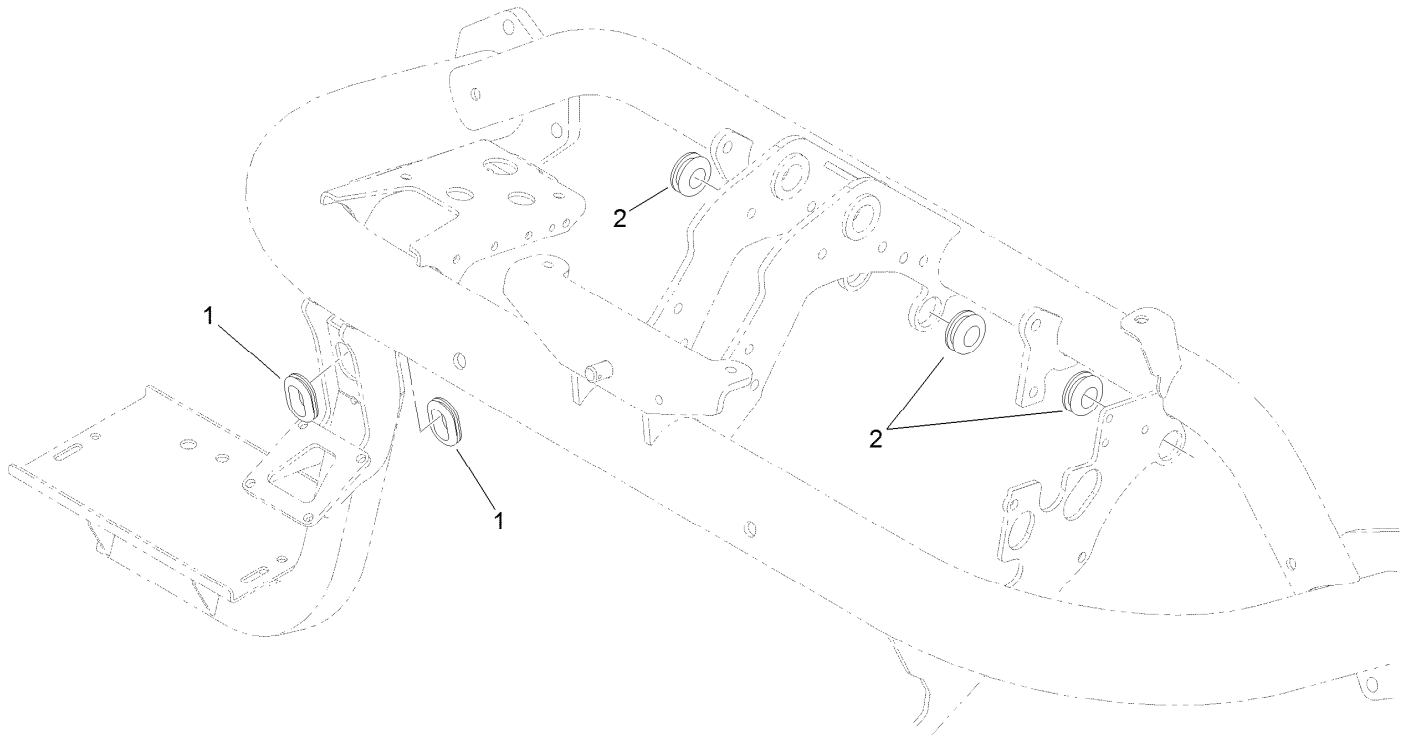
# Contents

Roll-Over Protection System Assembly .....	4
Brake Cable Grommet Assembly .....	5
Frame Assembly .....	6
Platform Assembly .....	7
Right Hand Support Platform Assembly .....	8
Seatbase Assembly .....	9
Steering Arm and Adjuster Assembly .....	10
Brake Cable and Lever Assembly .....	11
Back Wheel Assembly .....	12
Hydraulic Cylinder Assembly No. 117-4480 .....	13
Front Wheel Assembly .....	14
Right Hand Brake Assembly No. 139-2722 .....	15
Left Hand Brake Assembly No. 139-2721 .....	16
Right Hand Wheel Motor Assembly No. 117-4302 .....	17
Left Hand Wheel Motor Assembly No. 117-4303 .....	18
Console and Reel Control Assembly .....	19
Traction Interface Control Assembly .....	20
Ignition, Throttle and Choke Control Assembly .....	21
Console Cable Routing Assembly .....	22
Engine and Exhaust Assembly .....	23
Battery Assembly .....	24
Wire Harness Assembly .....	25
Pump Coupling Assembly .....	26
Hydraulic Pump Assembly No. 139-6474 .....	27
Neutral Centering Assembly .....	29
Traction Drive Hydraulic Line Assembly .....	30
Traction Drive Hose Routing Assembly .....	31
Hydraulic Mow Assembly .....	32
Hydraulic Mow Manifold Assembly .....	33
Hydraulic Mow Manifold Assembly No. 147-3079 .....	34
Hydraulic Mow Clamp Assembly .....	35
Hydraulic Mow Hose Routing Assembly .....	36
Hydraulic Mow Reel Motor Assembly .....	37
Hydraulic Reel Motor Assembly No. 115-3321 .....	38
Hydraulic Mow Gear Pump Assembly .....	39
Hydraulic Gear Pump Assembly No. 114-9956 .....	40
Lift Circuit Assembly .....	41
Steering Valve Assembly No. 114-4672 .....	43
Hydraulic Cylinder Assembly No. 119-8128 .....	44
Hydraulic Cylinder Assembly No. 119-8129 .....	45
Hydraulic Lift Manifold Assembly .....	46
Hydraulic Lift Manifold Assembly No. 125-5187 .....	47
Steering Circuit Assembly .....	48
Fuel Line and Carbon Canister Hose Routing Assembly .....	49
Fuel Tank Assembly .....	50
Hydraulic Tank and Leak Detector Assembly .....	51
Suspension and Basket Assembly .....	52
Basket Assembly No. 132-9599 .....	53
Suspension Pin Position Assembly .....	54
Suspension A-Arm Assembly .....	55
Suspension Crossarm Assembly .....	56
Attachments and Accessories .....	57



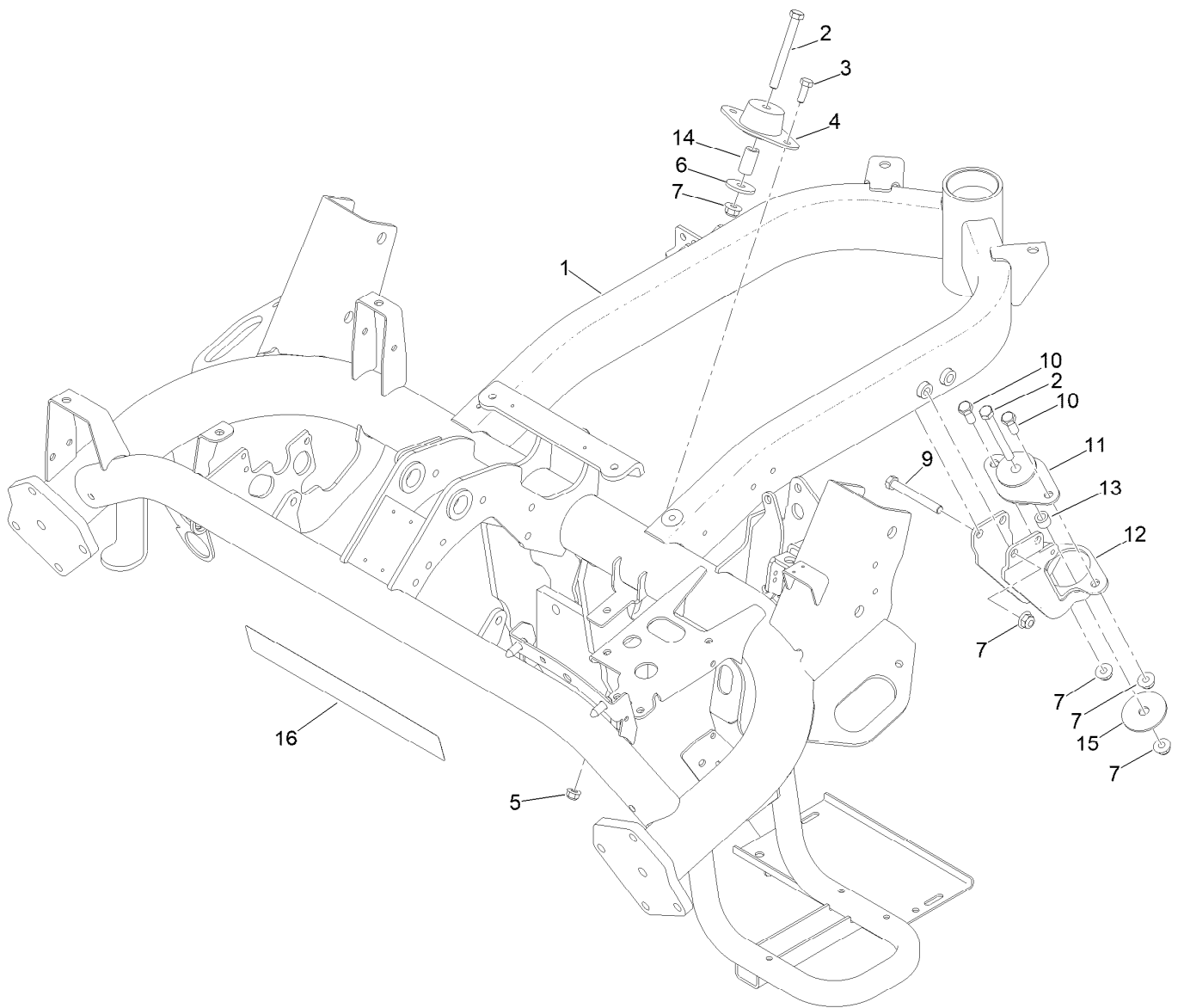
## Roll-Over Protection System Assembly

<i>Ref.</i>	<i>Part Number</i>	<i>Qty.</i>	<i>Description</i>	<i>Ref.</i>	<i>Part Number</i>	<i>Qty.</i>	<i>Description</i>
1	115-8206	1	ROPS ASM	7	117-9051-01	1	Step
1:2	115-8199	1	Decal-ROPS	8	119-4468-01	1	Plate-Step
1:3	115-8226	1	Decal-ROPS	9	32104-32	9	Screw-HWH
2	325-35	4	Screw-HH	11	2412-133	2	Clamp-R
3	117-9023	1	Casting-Side, RH	12	104-7050	1	Tube-Manual
3:2	94-9609	2	Bushing-Straight	13	104-7048	1	Cap-Housing
4	139-1689	4	Nut-HF	14	302-59	1	Plug-EXT Hex Spl
5	117-9035	8	Screw-HHF	17	119-1730	1	Receptacle-Clip, Mini
6	117-9022	1	Casting-Side, LH	18	3269-32	2	Rivet-Pop
6:2	60-0080	2	Bushing	19	121-5865	1	Clip-Cover, Back



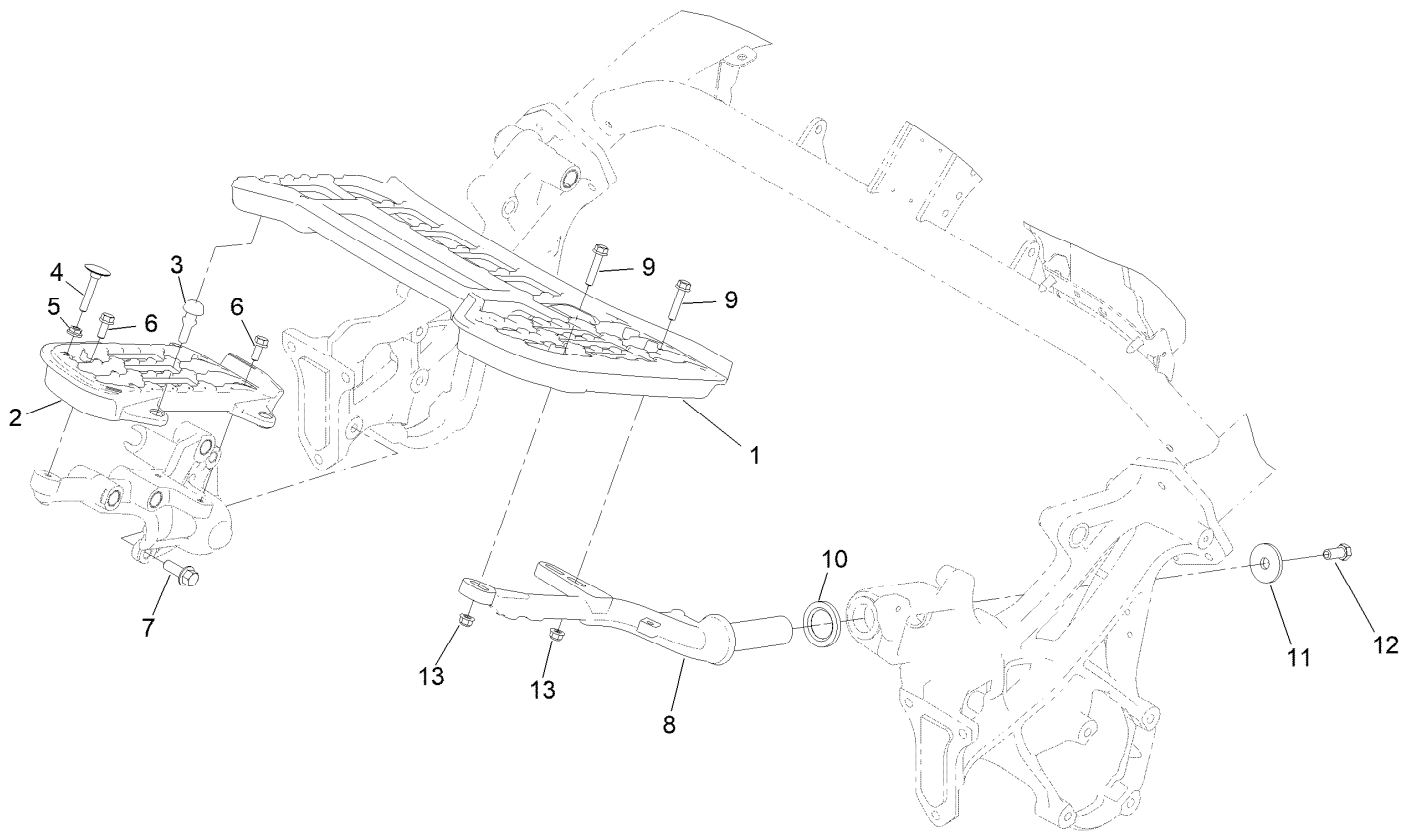
## Brake Cable Grommet Assembly

<i>Ref.</i>	<i>Part Number</i>	<i>Qty.</i>	<i>Description</i>
1	240-5	2	Grommet
2	98-8529	3	Grommet



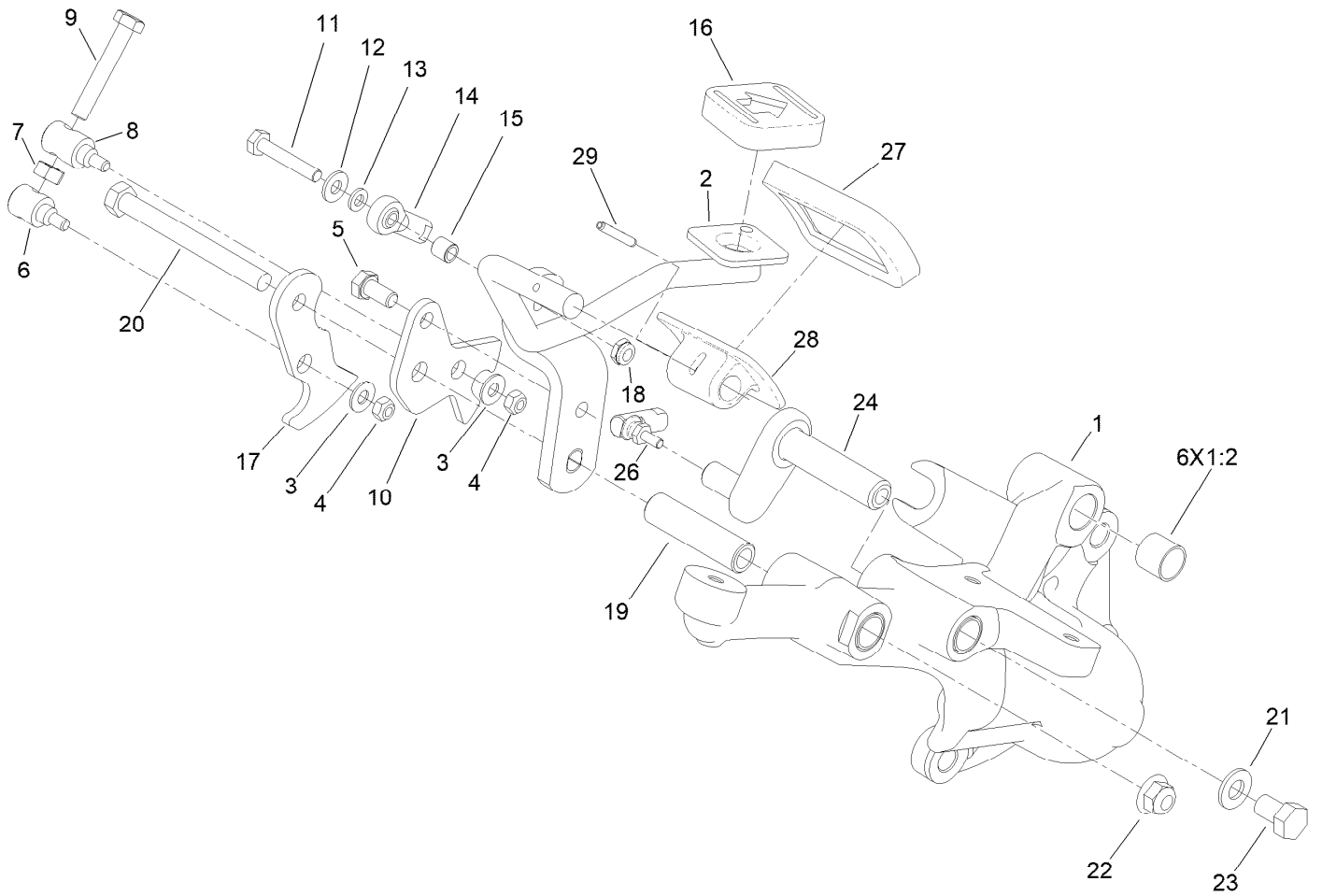
## Frame Assembly

<b>Ref.</b>	<b>Part Number</b>	<b>Qty.</b>	<b>Description</b>
1	147-3072-01	1	Frame
2	323-15	3	Screw-HH
3	322-4	4	Screw-HH
4	121-9076	2	Mount-Engine
5	119-4041	4	Nut-HF
6	117-9330	2	Spacer
7	119-4042	7	Nut-HF, NI
9	323-14	2	Screw-HH
10	323-5	2	Screw-HH
11	131-1821	1	Mount-Engine
12	117-9256-01	1	Mount-Engine, Rear
13	52-2480	1	Spacer-Wheel
14	110-4631	2	Tube-Spacer
15	87-5100	1	Washer-Snubbing
16	119-9348	1	Decal



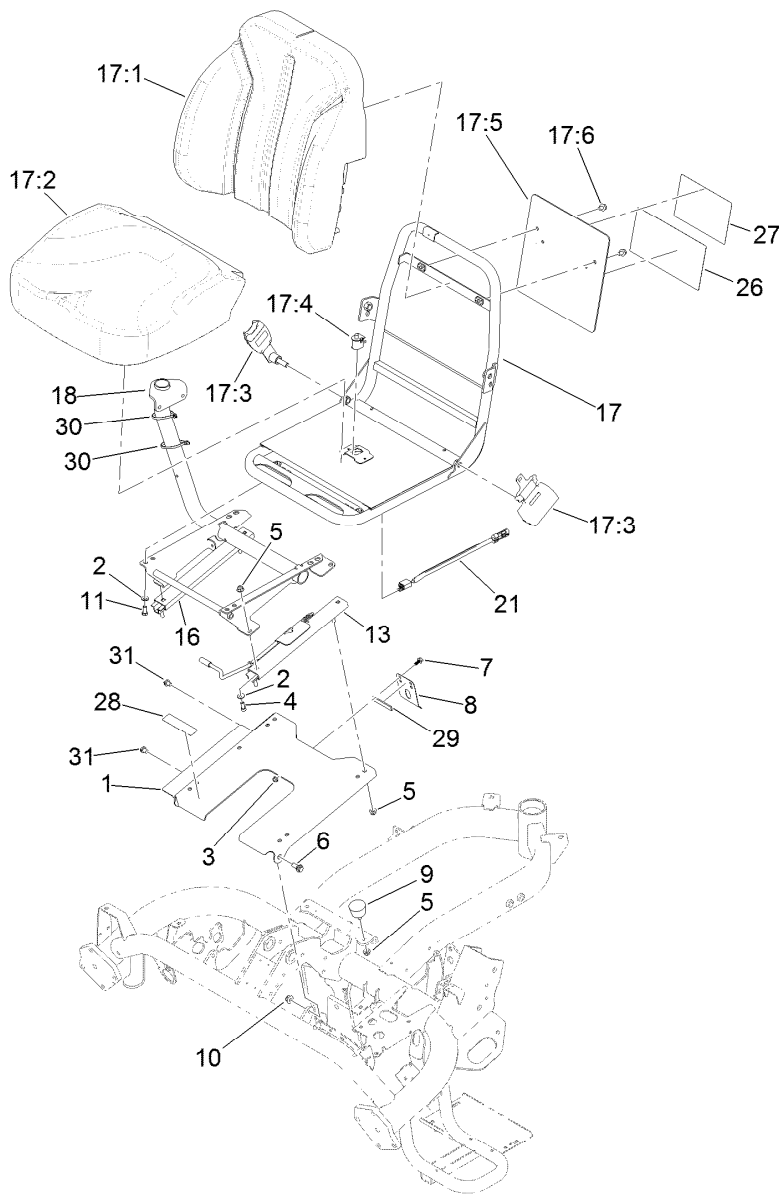
## Platform Assembly

<i>Ref.</i>	<i>Part Number</i>	<i>Qty.</i>	<i>Description</i>
1	137-7768	1	Platform-LH
2	117-9008	1	Platform-RH
3	117-9072	2	Bumper-Rubber
4	115-8240	1	Screw-Elevator
5	32128-20	1	Nut-HF
6	3234-47	3	Screw-HHF
7	117-9035	3	Screw-HHF
8	139-8575-01	1	Support-Platform, LH (Mach)
9	115-1794	3	Screw-HHF
10	94-8946	1	Washer-Thrust
11	84-1560	1	Washer-Thrust
12	324-4	1	Screw-HH
13	119-4041	3	Nut-HF



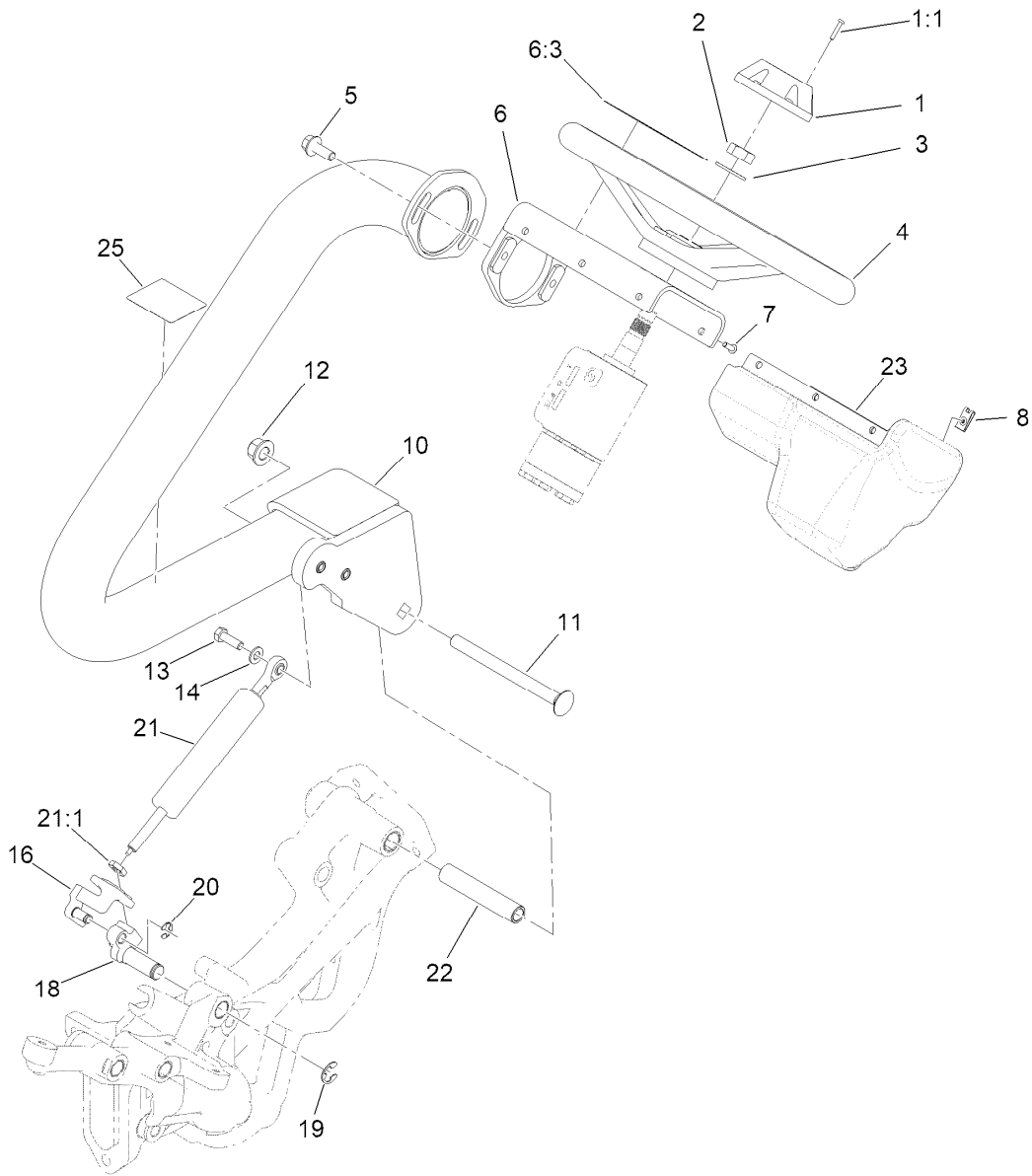
## Right Hand Support Platform Assembly

<i>Ref.</i>	<i>Part Number</i>	<i>Qty.</i>	<i>Description</i>	<i>Ref.</i>	<i>Part Number</i>	<i>Qty.</i>	<i>Description</i>
1	133-2313	1	Support-Platform, RH	15	99-3545	1	Spacer
1:2	256-311	6	Bushing	16	74-9110	1	Pad-Pedal, Reverse
2	119-1725-01	1	Rod-Traction	17	140-5246	1	Bracket-Mow
3	3256-1	2	Washer-Flat	18	3296-56	1	Nut-Lock, NI
4	33023-00	2	Nut-Lock	19	94-1371	1	Spacer
5	33114-016	1	Screw-HH	20	323-42	1	Screw-HH
6	94-1374	1	Trunnion-Bracket, Mow	21	3256-24	1	Washer-Plain
7	33014-00	1	Nut-Hex	22	119-4042	1	Nut-HF, NI
8	94-1375	1	Trunnion-Bracket, Lock	23	33115-016	1	Screw-HH
9	94-3489	1	Screw-HH	24	140-6108	1	Pin-Flag, Neutral Lock
10	117-9021	1	Bracket-Lock	26	2411-38	1	Joint-Ball
11	321-9	1	Screw-HH	27	74-9100	1	Pad-Pedal, Forward
12	3256-22	1	Washer-Flat	28	117-9507	1	Pedal-Accelerator
13	33093-00	1	Washer-Flat	29	32121-45	1	Pin-Spring
14	2411-41	1	Rod End-Ball Joint				



## Seatbase Assembly

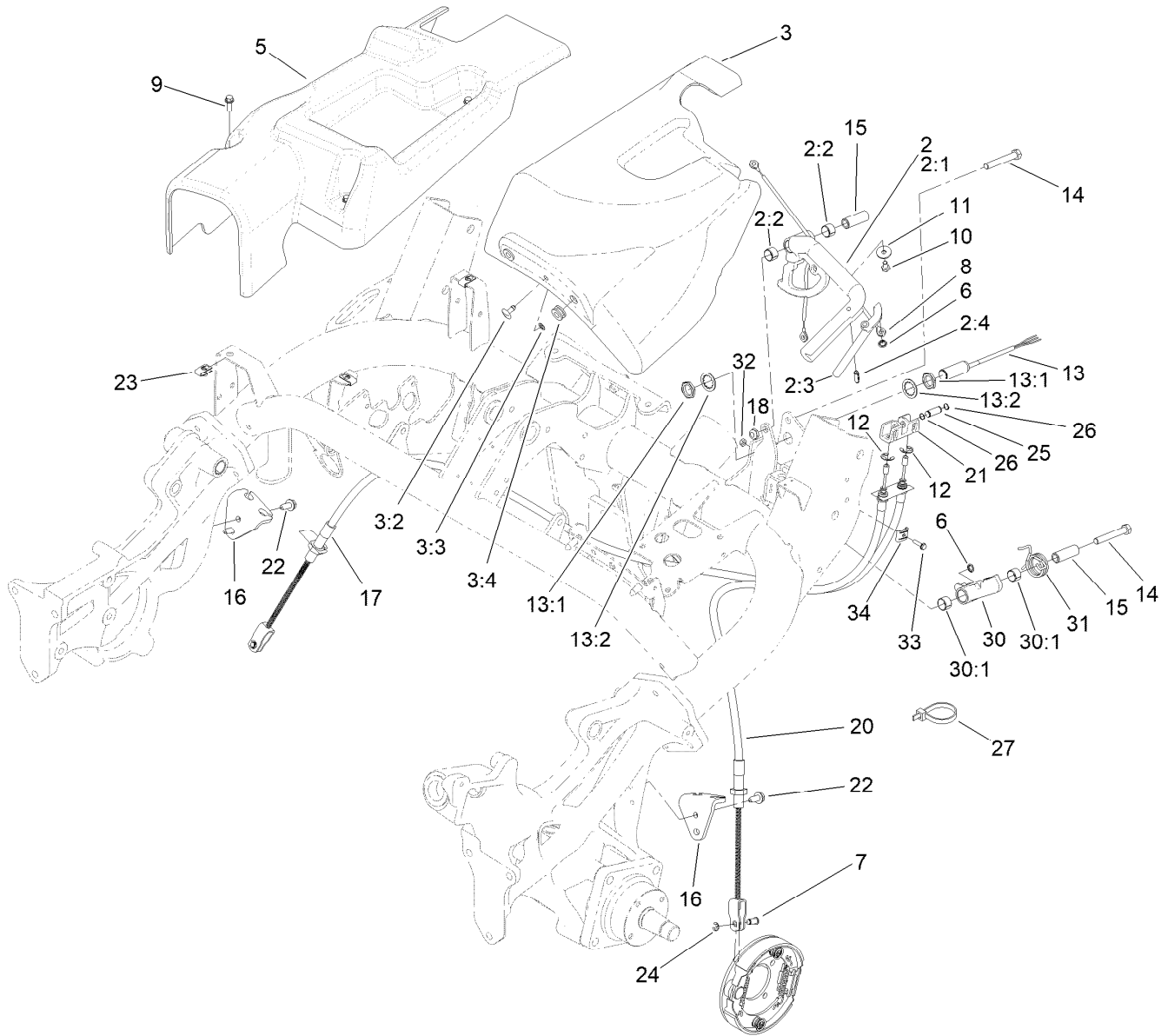
<i>Ref.</i>	<i>Part Number</i>	<i>Qty.</i>	<i>Description</i>	<i>Ref.</i>	<i>Part Number</i>	<i>Qty.</i>	<i>Description</i>
1	136-8405-03	1	Plate-Seat	18	139-6453-03	1	Mount-Console
2	3256-23	8	Washer-Plain	21	108-8657	1	Harness-Wire, Seat
3	104-7201	2	Nut-HF, NI	26	115-8159	1	Decal-Service, Spanish
4	3274-10	4	Screw-HSH	26	115-8160	1	Decal-Service, French
5	119-4041	10	Nut-HF	26	115-8161	1	Decal-Service, German
6	94-7582	2	Bolt-Shoulder	26	115-8162	1	Decal-Service, Swedish
7	99-6810	2	Screw-HHF	26	115-8163	1	Decal-Service, Italian
8	66-2630	1	Latch-Seat	26	115-8164	1	Decal-Service, Portuguese
9	68-3270	2	Bumper-Rubber	26	115-8165	1	Decal-Service, Norwegian
10	119-4042	2	Nut-HF, NI	26	115-8166	1	Decal-Service, Finnish
11	322-3	4	Screw-HH	26	115-8167	1	Decal-Service, Danish
13	133-8896	1	Seat Adjuster Lever ASM	26	115-8168	1	Decal-Service, Dutch
16	92-8990	1	Adjuster-Seat, Non-Locking	26	115-8169	1	Decal-Service, Japanese
17	139-2680	1	Seat ASM	26	139-2727	1	Decal-Service, GR3300/3320
17:1	145-0083	1	Cover-Seat, Back	27	115-8156	1	Decal-Speed, Clip
17:2	145-0084	1	Cover-Seat, Bottom	28	133-8062	1	Decal-Spark Arrestor
17:3	139-2707	1	Seat Belt Kit	29	120-5753	1	Strip-Foam
17:4	82-2190	1	Switch-Bail	30	3290-379	2	Tie-Cable
17:5	139-2701	1	Plate-Decal	31	32180-030	2	Clip-Tie
17:6	3234-30	2	Screw-HHF				



## Steering Arm and Adjuster Assembly

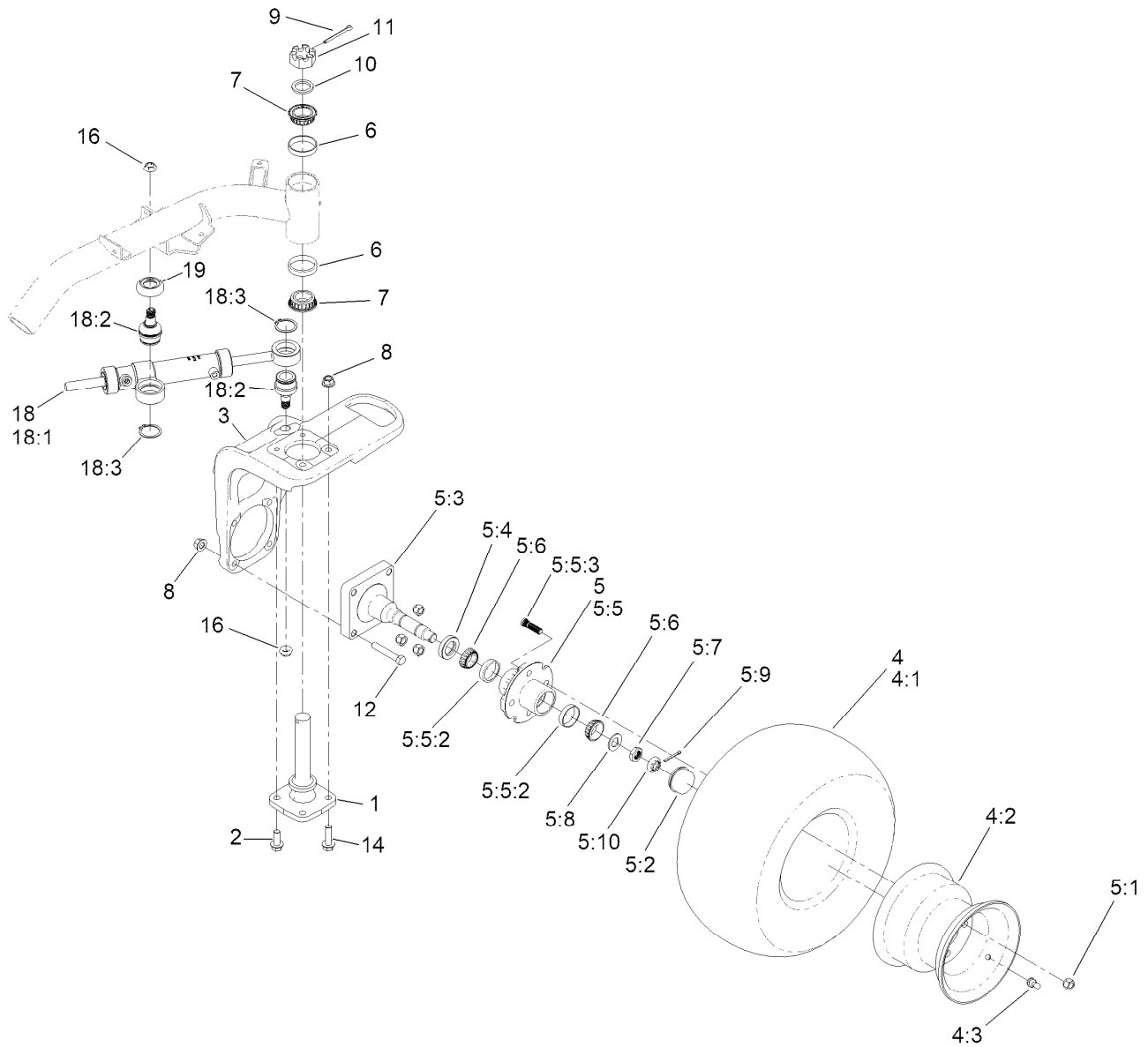
Ref.	Part Number	Qty.	Description
1	68-5140	1	Cap-Wheel, Steering
1:1	32144-21	1	Screw
2	3296-33	1	Nut-Lock, NI
3	3256-27	1	Washer-Flat
4	145-0051	1	Steering Wheel
5	3234-42	2	Screw-HHF
6	136-8571	1	Mount-Steering
6:3	136-8505	1	Decal-Danger, CE
7	3274-39	6	Screw-HSBH
8	3290-277	6	Nut-Speed
10	145-0093-01	1	Arm-Steering
11	140-7029	1	Screw-CARR

Ref.	Part Number	Qty.	Description
12	139-1689	1	Nut-HF
13	322-5	1	Screw-HH
14	3256-23	1	Washer-Plain
16	138-6456	1	Lever (Mach)
18	133-8996	1	Lever-Pivot
19	32120-19	1	E-Ring
20	105-7004	1	E-Ring
21	133-9036	1	Cylinder-Gas
21:1	112-8617	1	Nut-Hex
22	117-9002	1	Spacer
23	119-9300	1	Cover-Valve, Steering
25	119-9346	1	Decal-Arm, Steering



## Brake Cable and Lever Assembly

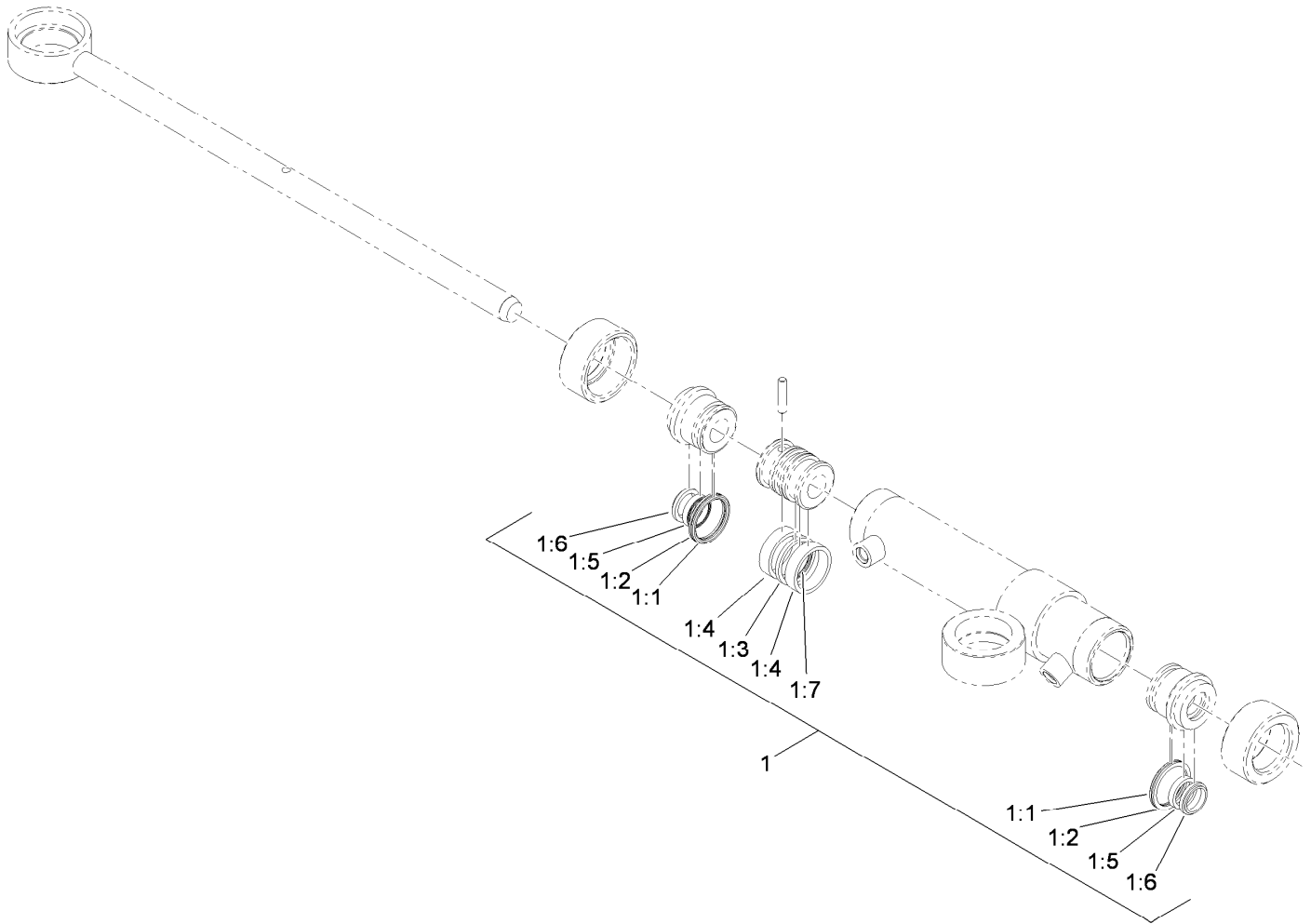
Ref.	Part Number	Qty.	Description	Ref.	Part Number	Qty.	Description
2	140-6217	1	Hand Brake Lever Assembly	13:2	117-3208	2	Washer-Lock, Internal Tooth
2:1	131-3024	1	Lever-Brake, Hand	14	323-12	2	Screw-HH
2:2	1-653600	2	Bushing	15	131-3017	2	Spacer
2:3	131-3003	1	Lever-Release	16	133-8901	2	Bracket-Cable, Brake
2:4	32121-24	1	Pin-Spring	17	131-1833	1	Cable-Brake, RH
3	131-3025	1	LH Cover ASM	18	3296-59	2	Nut-Lock, NI
3:2	119-1728	1	Stud-1/4 Turn	20	131-1834	1	Cable-Brake, LH
3:3	119-1729	1	Retainer-Stud	21	131-3065	1	Equalizer-Cable
3:4	92-5972	2	Grommet-Rubber	22	32104-32	4	Screw-HWH
5	138-5029	1	Cover-Side, RH	23	107069	3	Clip
6	104-8310	2	Ring-Retaining	24	701197	2	E-Ring
7	109-6887	2	Pin-Clevis	25	131-3021	1	Pin
8	131-3004	1	Cable	26	32120-46	2	Ring-Retaining
9	115-5103	3	Screw-HHF	27	3290-379	1	Tie-Cable
10	321-2	1	Screw-HH	30	137-1659	1	Brake Pawl ASM
11	3256-67	1	Washer	30:1	1-653600	2	Bushing
12	32120-47	2	Ring-Retaining, External	31	132-3833	1	Spring-Torsion
13	115-5300	1	Sensor, Proximity Sensor ASM	32	3296-2	1	Nut-Lock, NI
13:1	117-3207	2	Nut-Hex	33	3290-126	1	Screw-HWH
				34	81-1690	1	Clamp-Cable



## Back Wheel Assembly

Ref.	Part Number	Qty.	Description	Ref.	Part Number	Qty.	Description
1	115-2657	1	Spindle-Steering	5:8	117-8259	1	Washer-Spindle
2	3234-38	2	Screw-HHF	5:9	3272-18	1	Pin-Cotter
3	145-4578-01	1	Base-Rear Fork (Machining)	5:10	93-0307	1	Nut-Lock, Retainer
4	117-9033	1	Wheel And Tire ASM	6	115-9471	2	Bearing-Cup
4:1	120-2783	1	Tire	7	115-9472	2	Bearing-Cone And Seal
4:2	217-60	1	Rim	8	139-1689	6	Nut-HF
4:3	232-27	1	Stem-Valve	9	3272-37	1	Pin-Cotter
5	119-4490	1	Wheel Spindle ASM	10	18-6320	1	Washer
5:1	139-2564	4	Nut-Lug	11	32136-9	1	Nut-Hex, Slotted
5:2	241-119	1	Cap-Dust	12	325-12	4	Screw-HH
5:3	112-7173	1	Spindle	14	3234-22	2	Screw-HHF
5:4	112-1690	1	Seal-Oil	16	121-3611	2	Nut-Hex, Flextop
5:5	117-9093	1	Hub ASM	18		1	Steering Cylinder ASM ●
5:5:2	254-72	2	Bearing-Cup, Tapered	18:1	117-4480	1	HYD Cylinder ASM
5:5:3	114-3918	4	Stud-Wheel	18:2	121-3605	2	Ball Joint
5:6	254-92	2	Cone-Bearing, Outer	18:3	32151-104	2	Ring-Retaining, External
5:7	117-8260	1	Nut	19	120-2026	1	Spacer-Cylinder

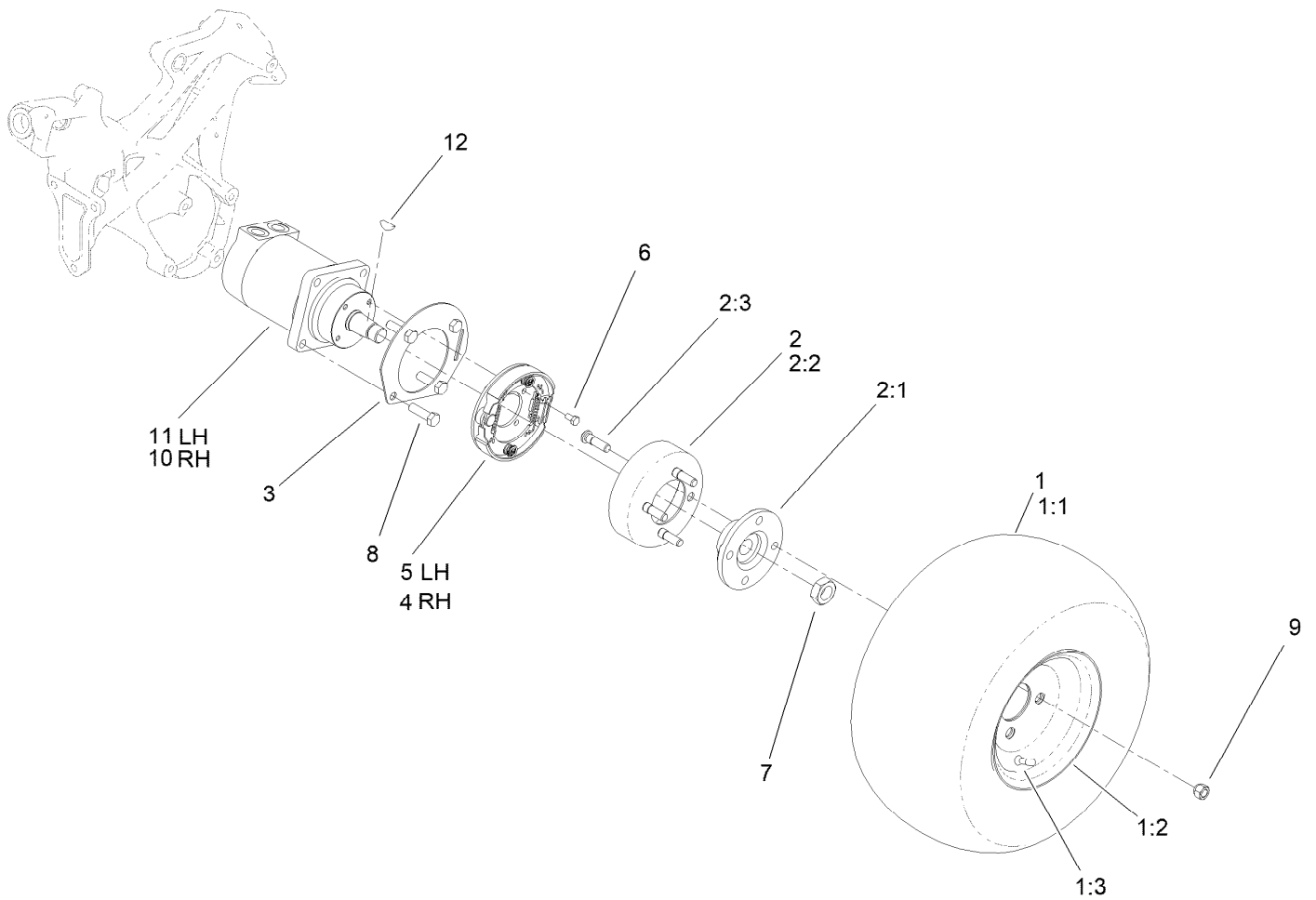
● Not serviced separately



## Hydraulic Cylinder Assembly No. 117-4480

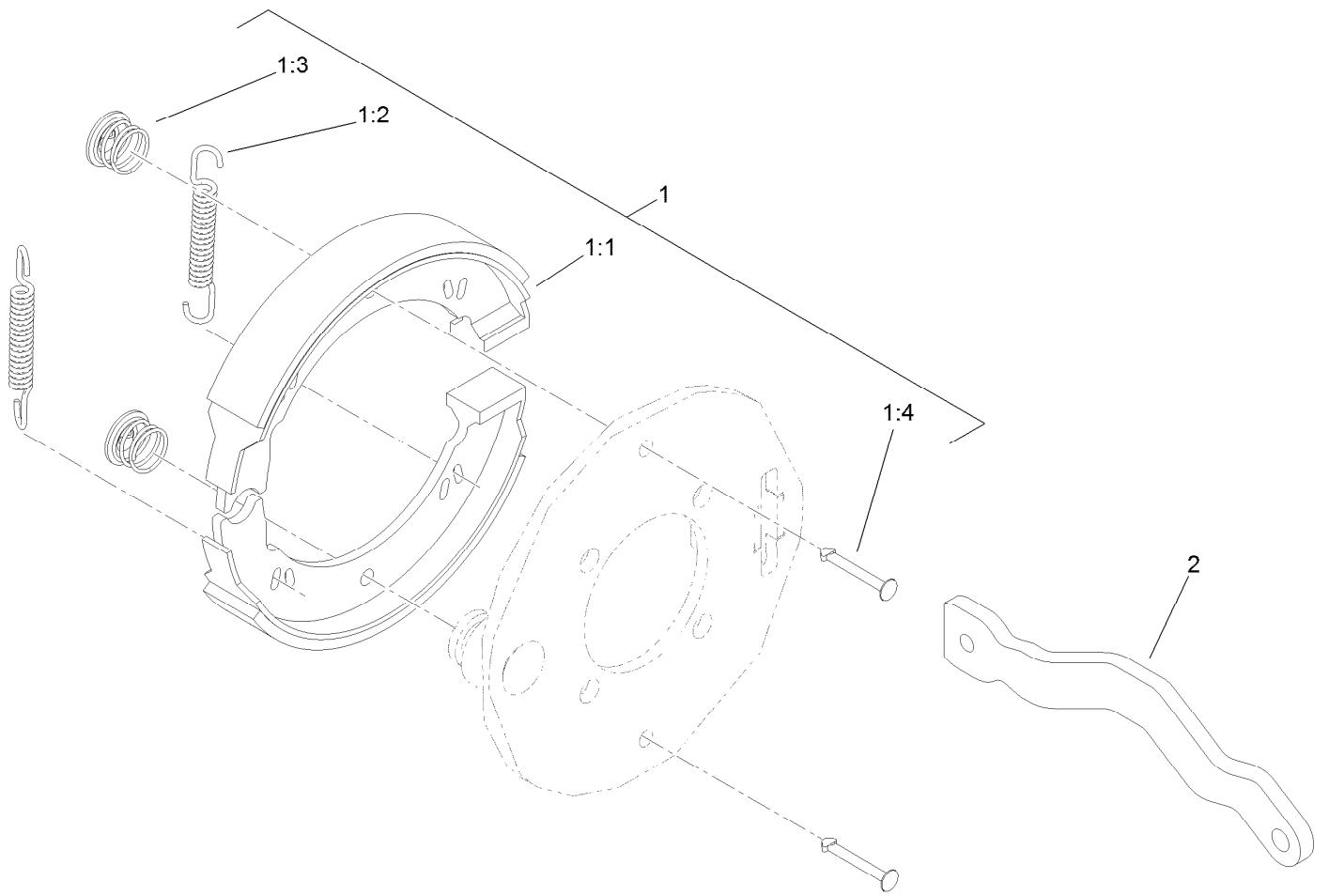
Ref.	Part Number	Qty.	Description
1	119-7124	1	Kit-Seal
1:1		2	O-Ring ●
1:2		2	Ring-Backup ●
1:3		1	Seal-Psp ●
1:4		2	Ring-Wear ●
1:5		2	Seal-Bs ●
1:6		2	Seal-Dust ●
1:7		1	O-Ring ●

● Not serviced separately



## Front Wheel Assembly

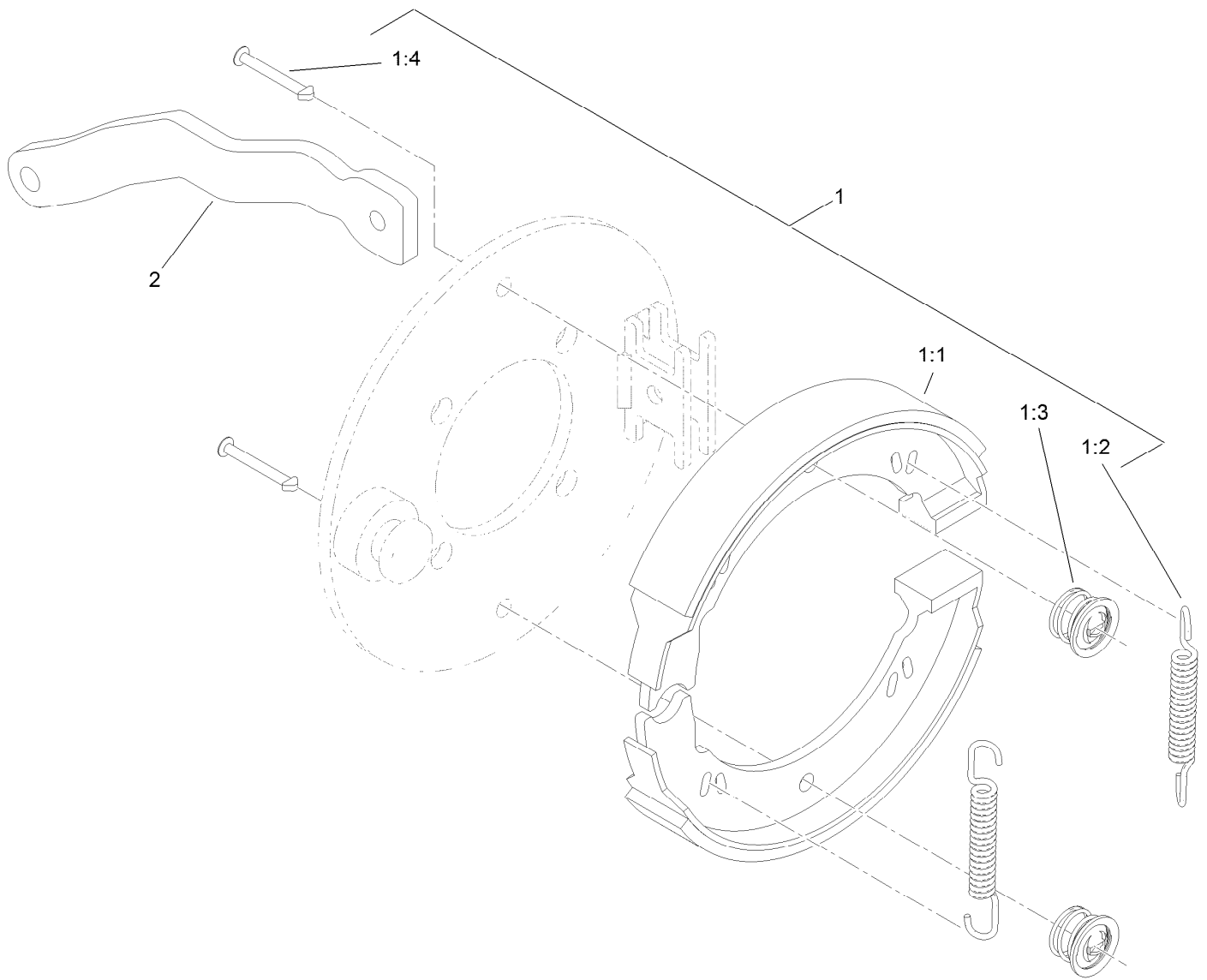
<i>Ref.</i>	<i>Part Number</i>	<i>Qty.</i>	<i>Description</i>
1	117-9030	2	Wheel And Tire ASM
1:1	120-2783	1	Tire
1:2	117-9032	1	Rim
1:3	232-27	1	Stem-Valve
2	115-2661	2	Brake Drum ASM
2:1	115-2662-0P	1	Hub-Wheel [primed]
2:2	115-2663	1	Drum-Brake
2:3	85-6540	4	Stud-Drive
3	114-9998-03	2	Tab-Lever, Brake
4	139-2722	1	RH Brake ASM
5	139-2721	1	LH Brake ASM
6	322-2	8	Screw-HH
7	26-3790	2	Nut-Lock
8	325-7	8	Screw-HH
9	139-2564	8	Nut-Lug
10	117-4302	1	RH Wheel Motor ASM
11	117-4303	1	LH Wheel Motor ASM
12	3257-42	1	Key-Woodruff



## Right Hand Brake Assembly No. 139-2722

Ref.	Part Number	Qty.	Description
1	139-2723	1	Kit-Brake
1:1		2	Shoe-Brake ●
1:2		2	Spring ●
1:3		2	Clip ●
1:4		2	Pin-Retainer ●
2	115-5789	1	Lever-Brake, RH

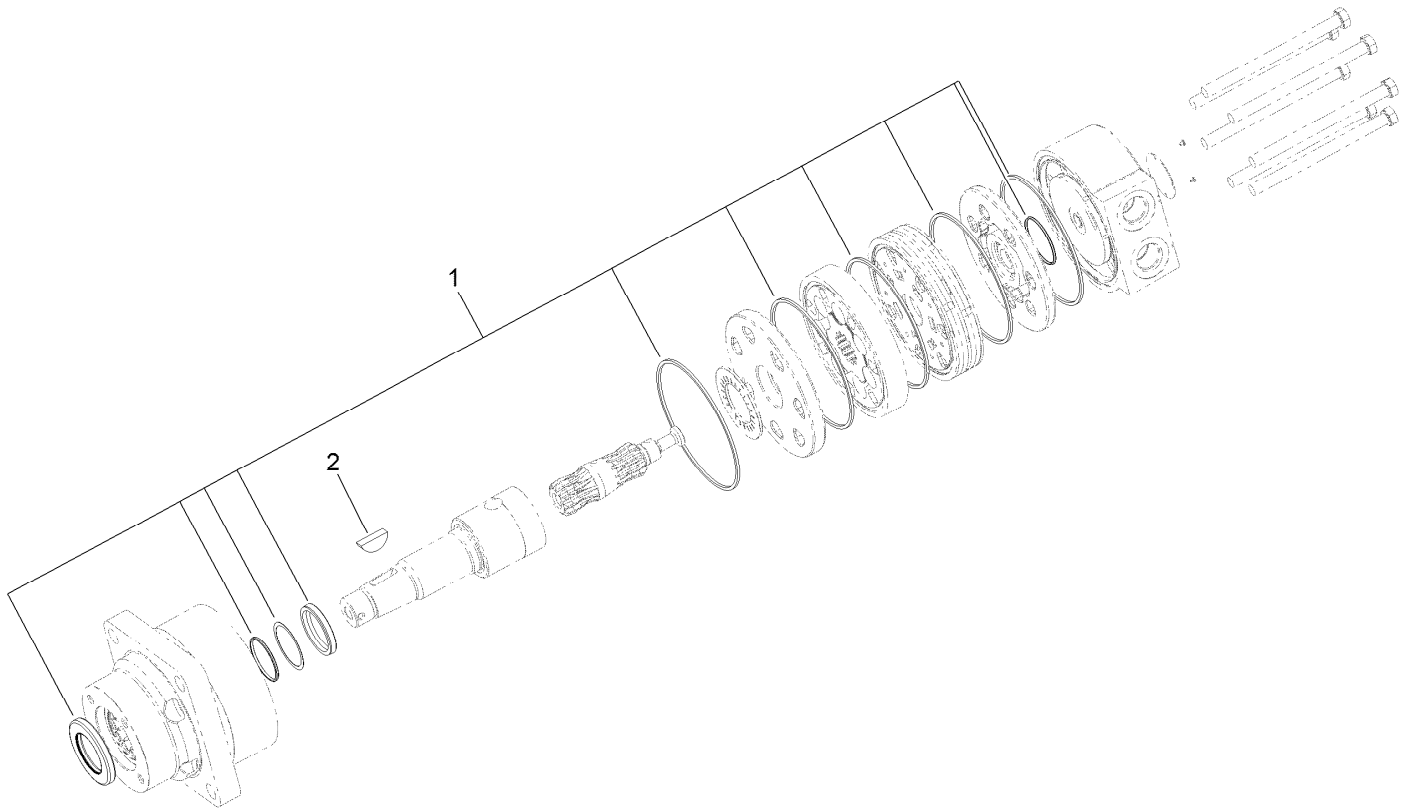
● Not serviced separately



## Left Hand Brake Assembly No. 139-2721

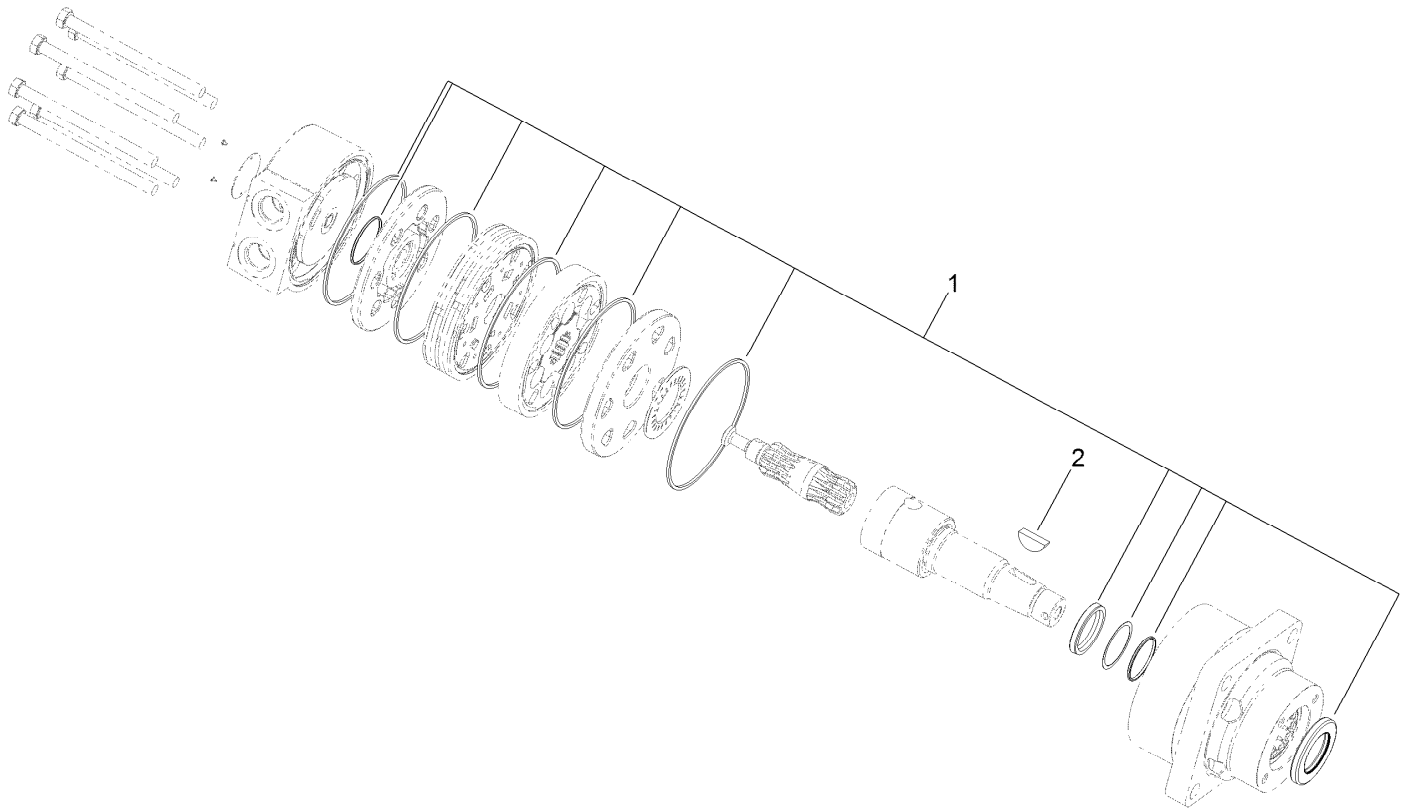
Ref.	Part Number	Qty.	Description
1	139-2723	1	Kit-Brake
1:1		2	Shoe-Brake ●
1:2		2	Spring ●
1:3		2	Clip ●
1:4		2	Pin-Retainer ●
2	115-2664	1	Lever-Brake, LH

● Not serviced separately



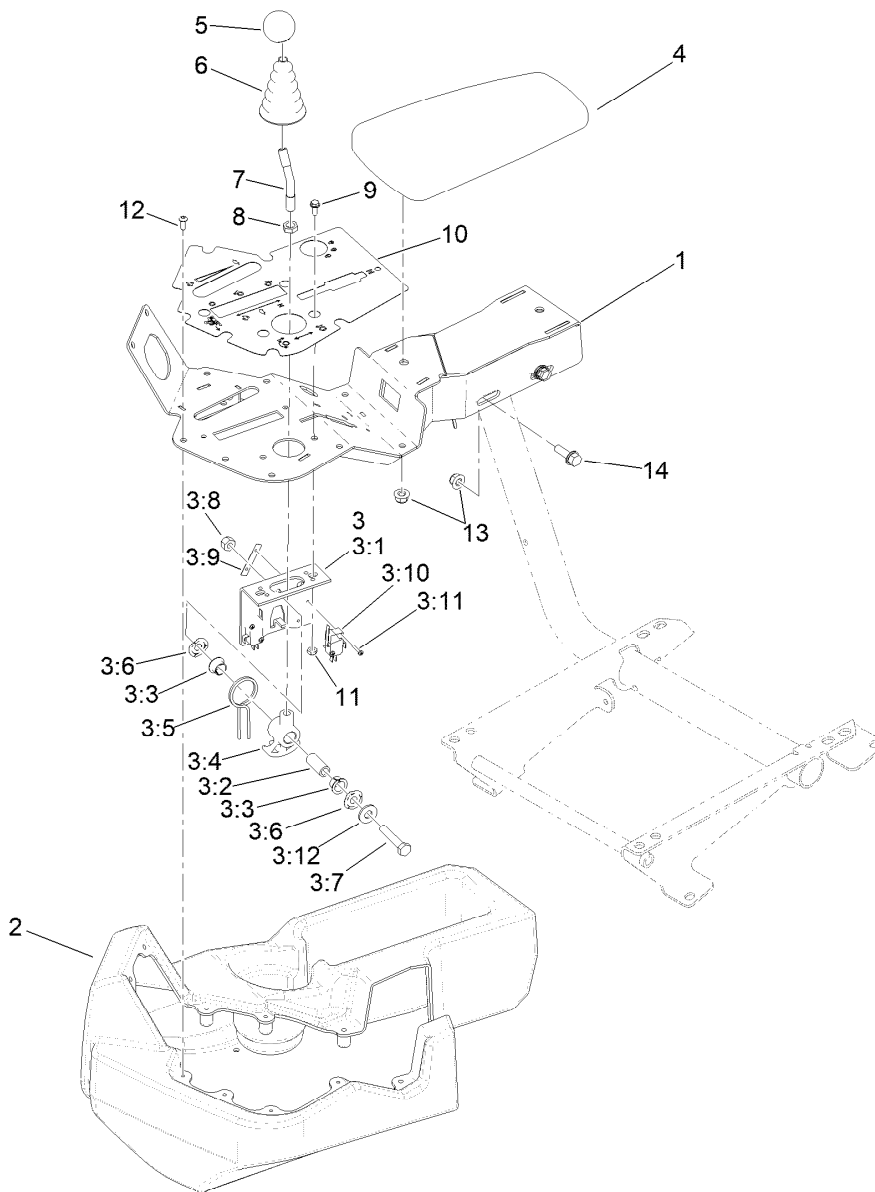
## Right Hand Wheel Motor Assembly No. 117-4302

<i>Ref.</i>	<i>Part Number</i>	<i>Qty.</i>	<i>Description</i>
1	94-8178	1	Seal Kit
2	3257-42	1	Key-Woodruff



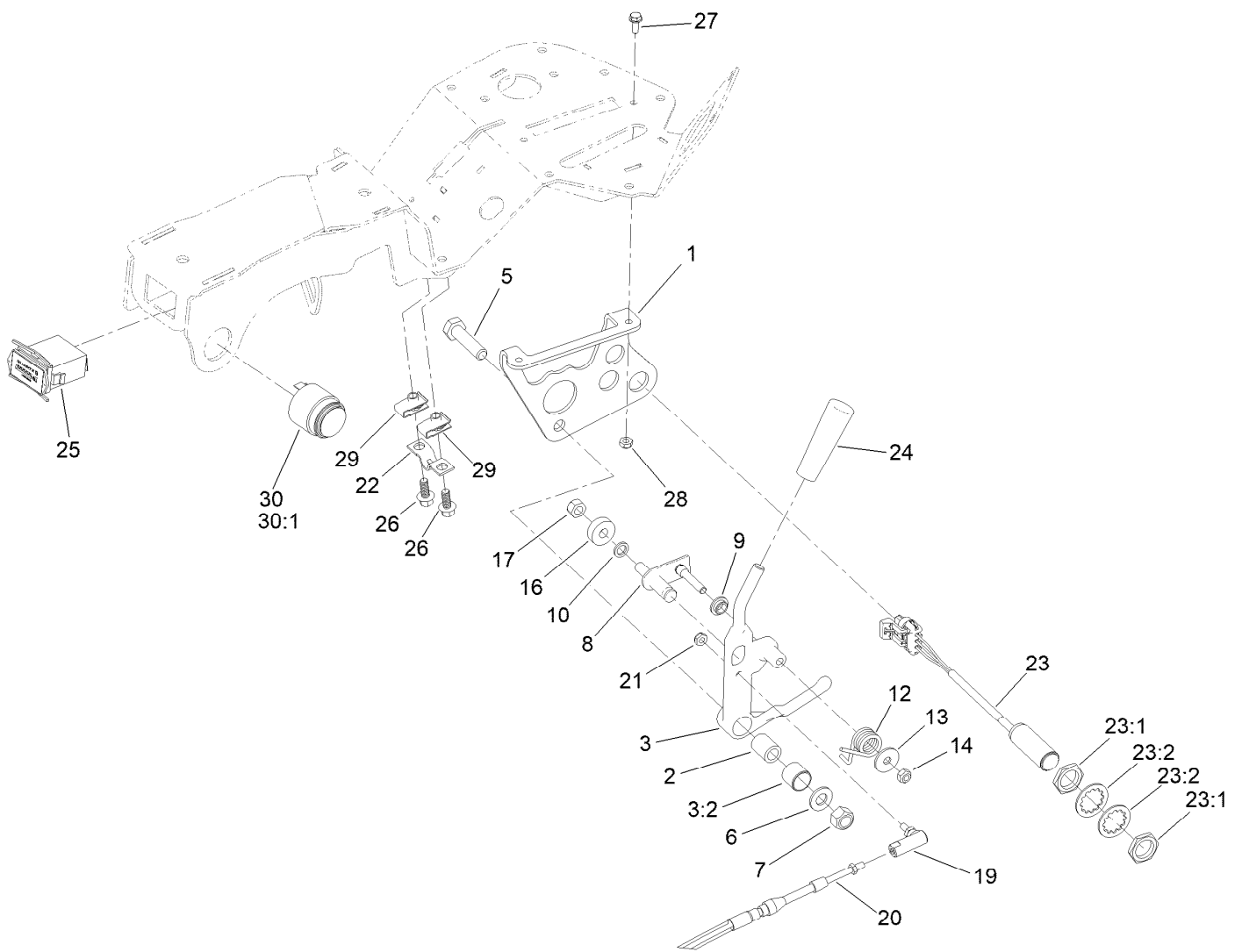
## Left Hand Wheel Motor Assembly No. 117-4303

<i>Ref.</i>	<i>Part Number</i>	<i>Qty.</i>	<i>Description</i>
1	94-8178	1	Seal Kit
2	3257-42	1	Key-Woodruff



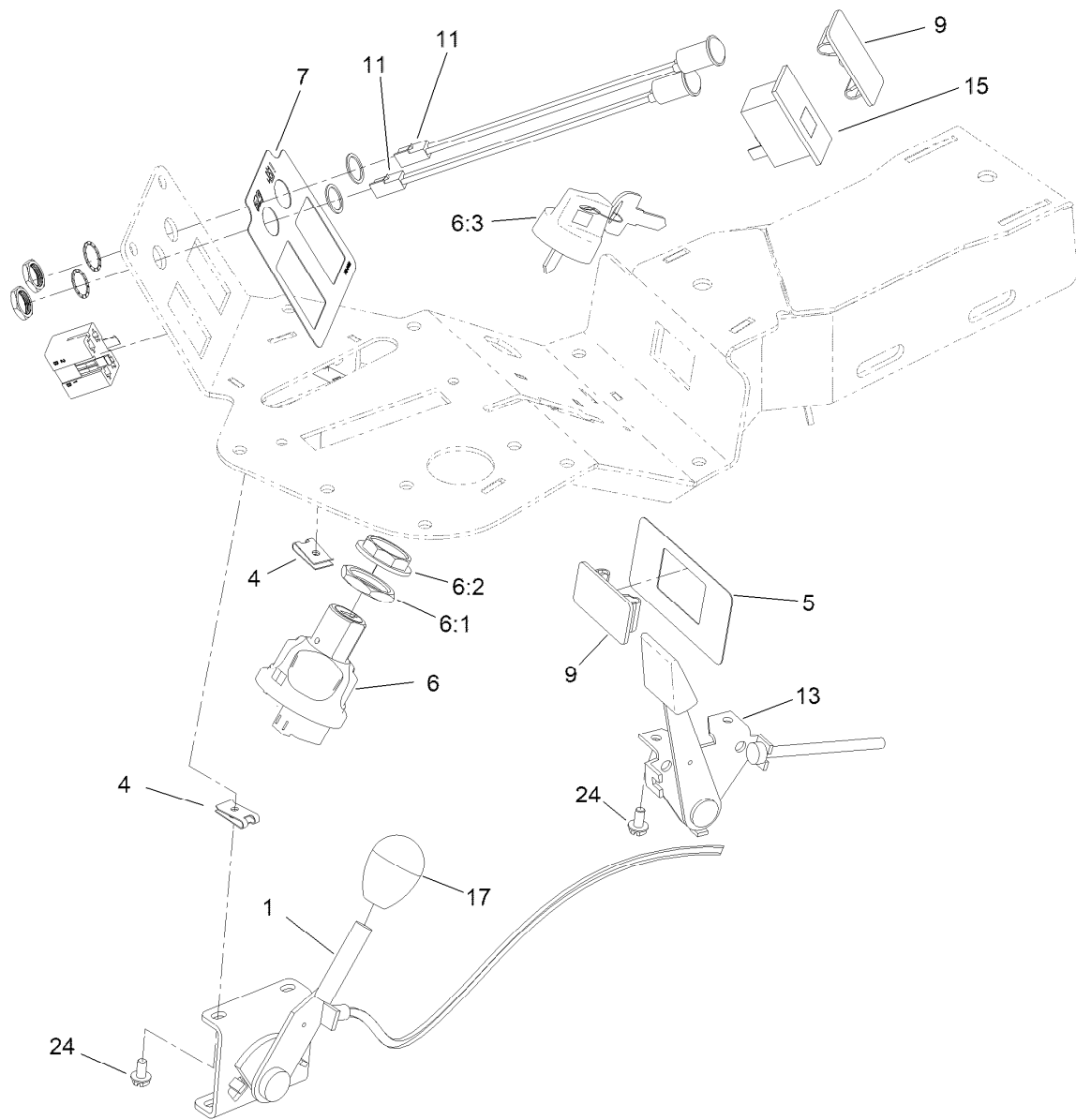
## Console and Reel Control Assembly

<i>Ref.</i>	<i>Part Number</i>	<i>Qty.</i>	<i>Description</i>	<i>Ref.</i>	<i>Part Number</i>	<i>Qty.</i>	<i>Description</i>
1	140-5245-03	1	Console ASM [black]	3:11	95-3003	4	Screw-PPHTF
2	132-9955	1	Cover-Console	3:12	3256-3	1	Washer-Flat
3	106-4167	1	Joystick Bracket ASM	4	108-7602	1	Rest-Arm
3:1	115-5357-03	1	Bracket-Joystick	5	120-9752	1	Knob-Round, Yellow
3:2	106-4192	1	Spacer	6	93-5961	1	Boot-Lever
3:3	93-5547	2	Bushing-Nylon	7	121-6681	1	Stem-Joystick
3:4	147-3050	1	Hub-Pivot, Joystick	8	3218-3	1	Nut-Jam
3:5	105-8289	1	Spring-Torsion	9	3290-321	2	Screw-HWH
3:6	106-4193	2	Washer-Finger, Spring	10	139-6493	1	Decal-Console
3:7	322-9	1	Screw-HH	11	3296-12	2	Nut-Lock, NI
3:8	3296-29	1	Nut-Lock, NI	12	115-9830	8	Screw-HSBH
3:9	3290-354	2	Nut-Speed	13	119-4041	4	Nut-HF
3:10	108-6496	2	Switch (W/Boot)	14	3234-29	2	Screw-HHF



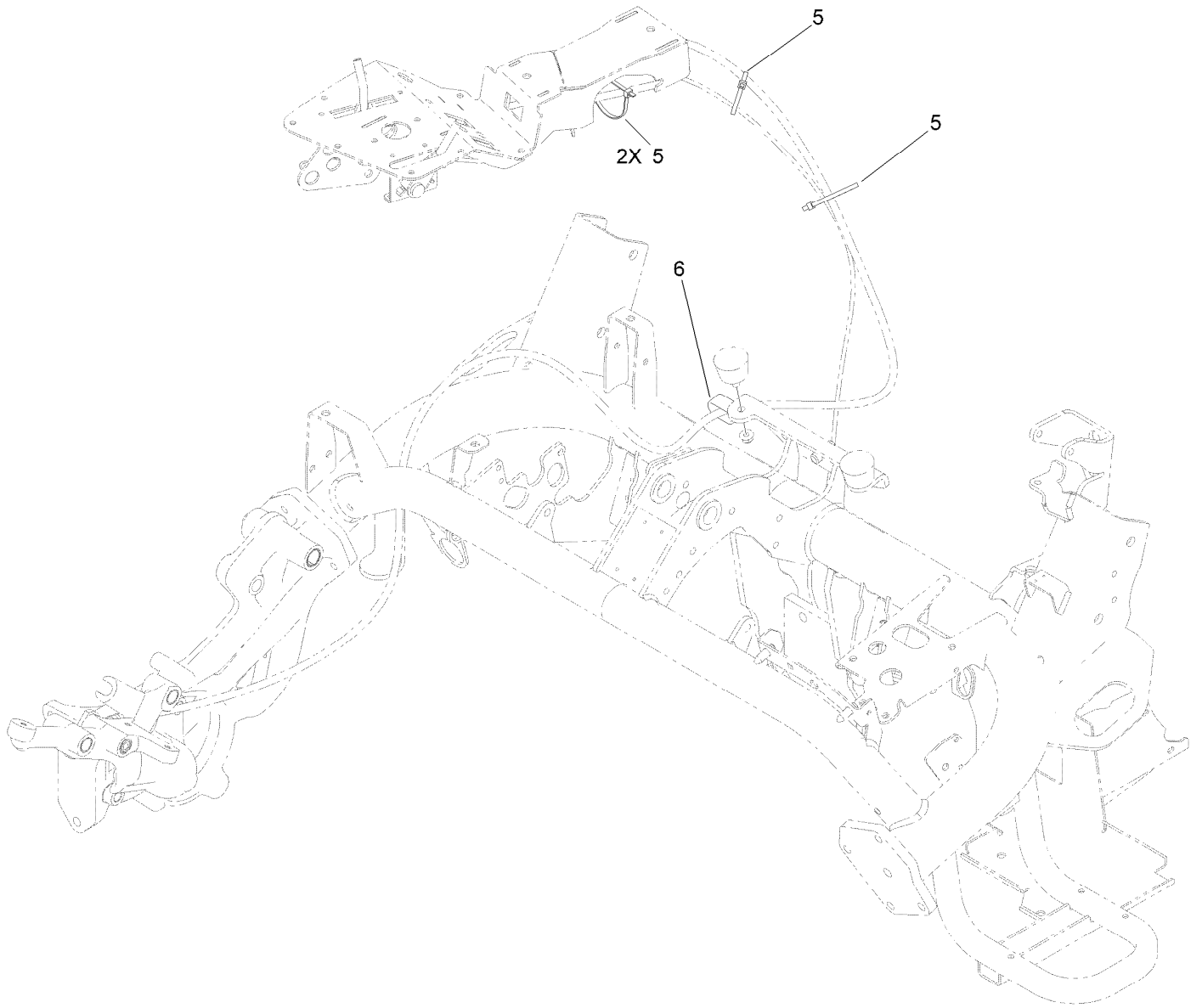
## Traction Interface Control Assembly

Ref.	Part Number	Qty.	Description	Ref.	Part Number	Qty.	Description
1	132-3822-03	1	Bracket	20	132-6991	1	Cable-Lock, Neutral
2	94-1378	1	Tube-Pivot, Handle	21	3296-27	1	Nut-Lock, NI
3	145-0062	1	Handle ASM	22	93-2279	1	Clamp-Cable
3:2	136-8417	1	Bushing	23	115-5300	2	Sensor, Proximity Sensor ASM
5	33115-040	1	Screw-HH	23:1	117-3207	2	Nut-Hex
6	3256-24	1	Washer-Plain	23:2	117-3208	2	Washer-Lock, Internal Tooth
7	33025-00	1	Nut-Lock, NI	24	233-39	1	Knob-Control
8	125-1928	1	Pin	25	120-2244	1	Hourmeter
9	94-9619	1	Bushing	26	99-6810	2	Screw-HHF
10	75-5470	1	Spacer-Bearing	27	3290-321	2	Screw-HWH
12	94-9620	1	Spring-Torsion	28	3296-12	2	Nut-Lock, NI
13	3256-67	1	Washer	29	107069	2	Clip
14	33023-00	1	Nut-Lock	30	80-9330	1	Audio Alarm ASM
16	251-259	1	Bearing-Ball	30:1	104-5107	1	Nut-Plastic, Knurled
17	33024-00	1	Nut-Lock, NI				
19	2411-38	1	Joint-Ball				



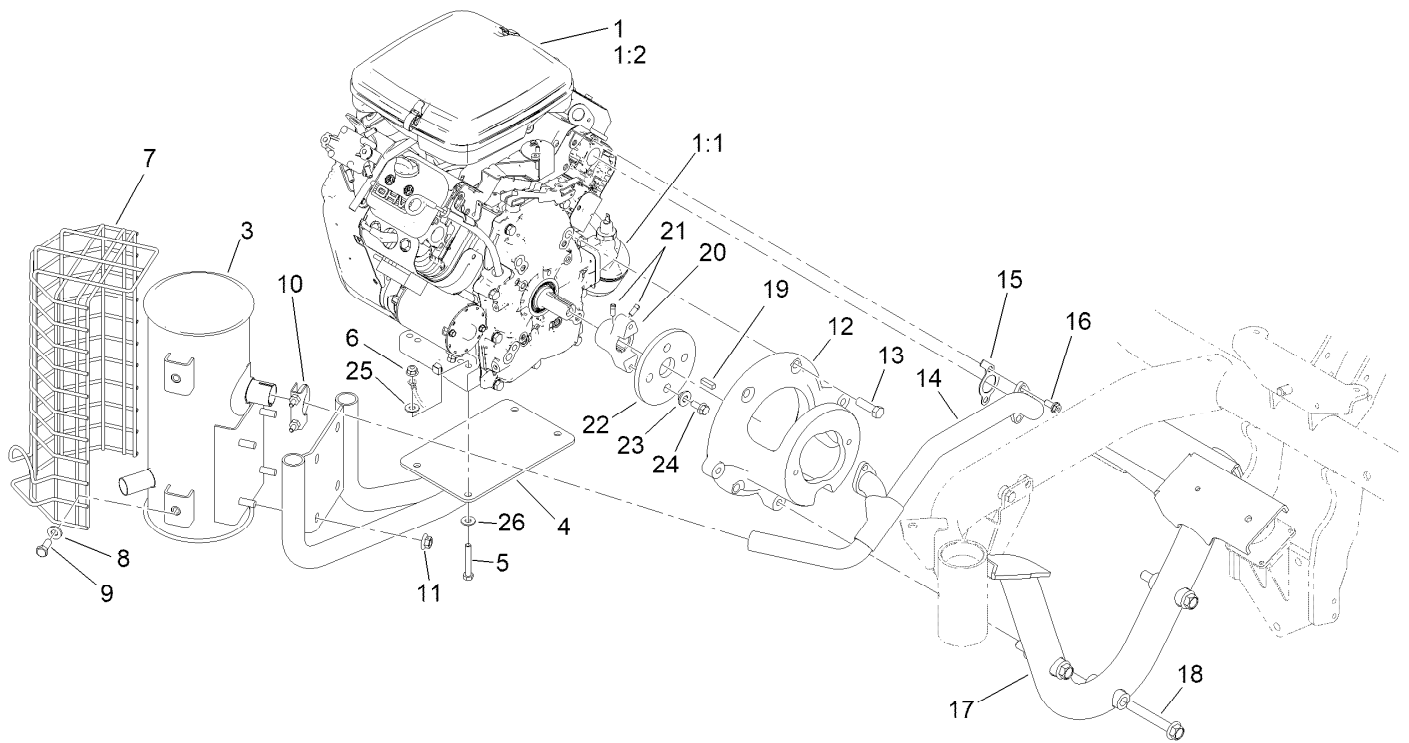
## Ignition, Throttle and Choke Control Assembly

Ref.	Part Number	Qty.	Description
1	119-1652	1	Throttle
4	3290-277	4	Nut-Speed
5	131-2046	1	Decal-Light, Console
6	161-4693	1	Switch-Ignition
6:1	121-5160	1	Nut-Hex
6:2	122-2704	1	Nut-Face, M22 (Plastic)
6:3	121-5162	1	Set-Key, Ignition
7	139-6492	1	Decal-Warning Lights
9	99-7420	2	Plug-Hole
11	140-5288	2	Light-Indicator
13	132-9540	1	Lever-Choke
15	161-4673	1	Indicator-Light, Low-Oil Pressure
17	120-9751	1	Knob-Oval, Black
24	3290-144	4	Screw-SHWH



## Console Cable Routing Assembly

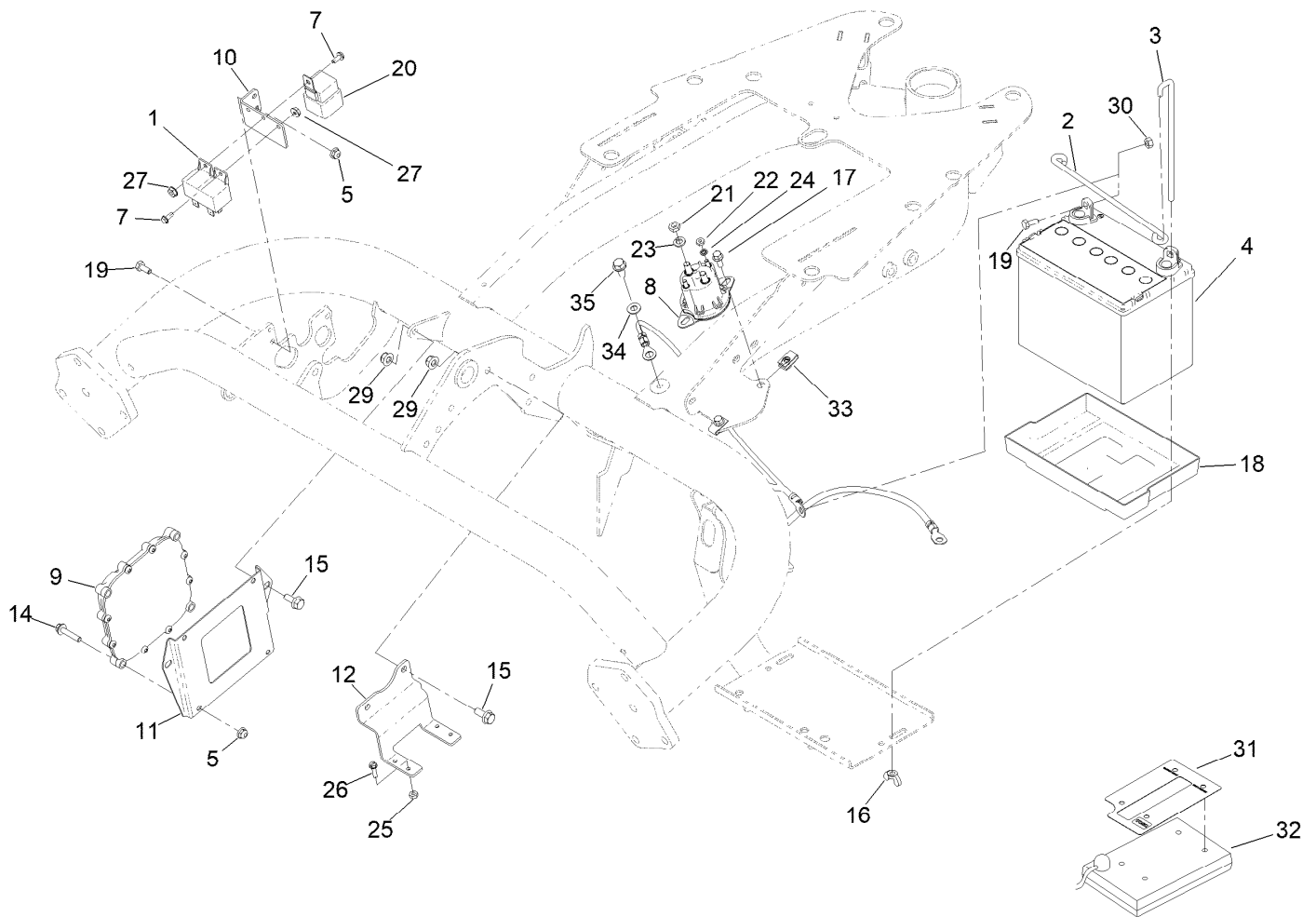
<i>Ref.</i>	<i>Part Number</i>	<i>Qty.</i>	<i>Description</i>
5	3290-379	4	Tie-Cable
6	120-1959	1	Clamp



## Engine and Exhaust Assembly

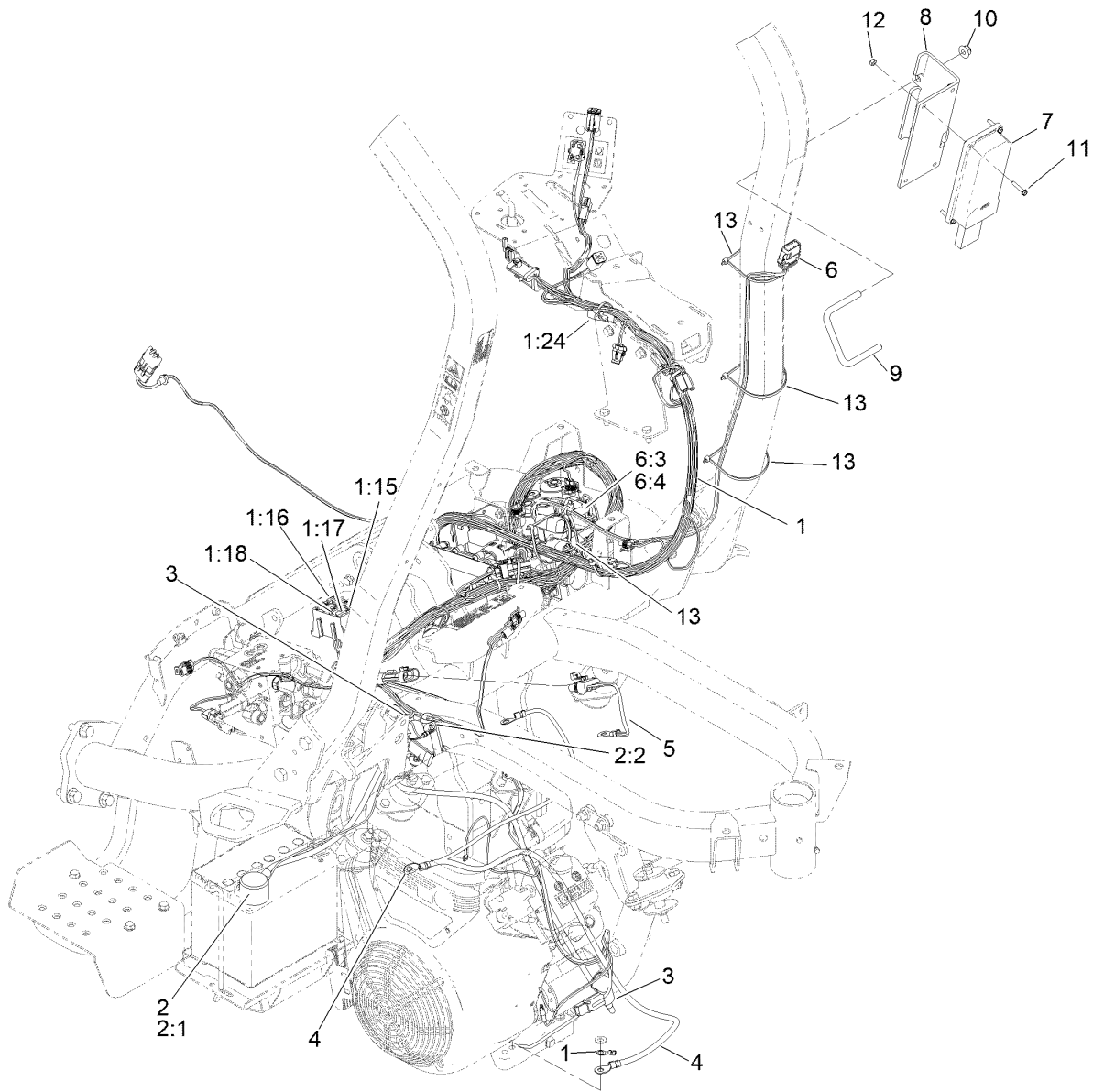
<i>Ref.</i>	<i>Part Number</i>	<i>Qty.</i>	<i>Description</i>	<i>Ref.</i>	<i>Part Number</i>	<i>Qty.</i>	<i>Description</i>
1	161-4662	1	Engine-23 HP Vanguard ●	14	117-4379	1	Manifold-Exhaust
1:1	107-7817	1	Filter-Oil, Engine	15	115-8154	2	Gasket-Manifold, Exhaust
1:2	147-3139	1	Filter-Air	16	94-5300	4	Screw-HHF
3	110-4001	1	Muffler	17	117-4442-03	1	Frame-Engine
4	117-4364-03	1	Mount-Muffler	18	126-3900	3	Screw-HHF
5	322-10	4	Screw-HH	19	10-7070	1	Key-Square
6	119-4041	4	Nut-HF	20	117-9278	1	Hub-Engine
7	112-0291	1	Shield-Muffler	21	3241-7	2	Screw-Set, Sqhd
8	100-4852	4	Washer-Hardened	22	115-5129	1	Coupling-Rubber
9	323-5	4	Screw-HH	23	125-9249	2	Spacer-Coupler, Rubber
10	2112-11	1	Clamp-Muffler	24	98-9940	2	Screw-HHF
11	32128-19	4	Nut-HF Lock, Large Flg	25	3256-23	1	Washer-Plain
12	117-4363-0P	1	Mount-Pump (Machining)	26	87-8640	4	Washer-Flat
13	324-32	4	Screw-HH				

● Obtain parts from [www.briggsandstratton.com](http://www.briggsandstratton.com)



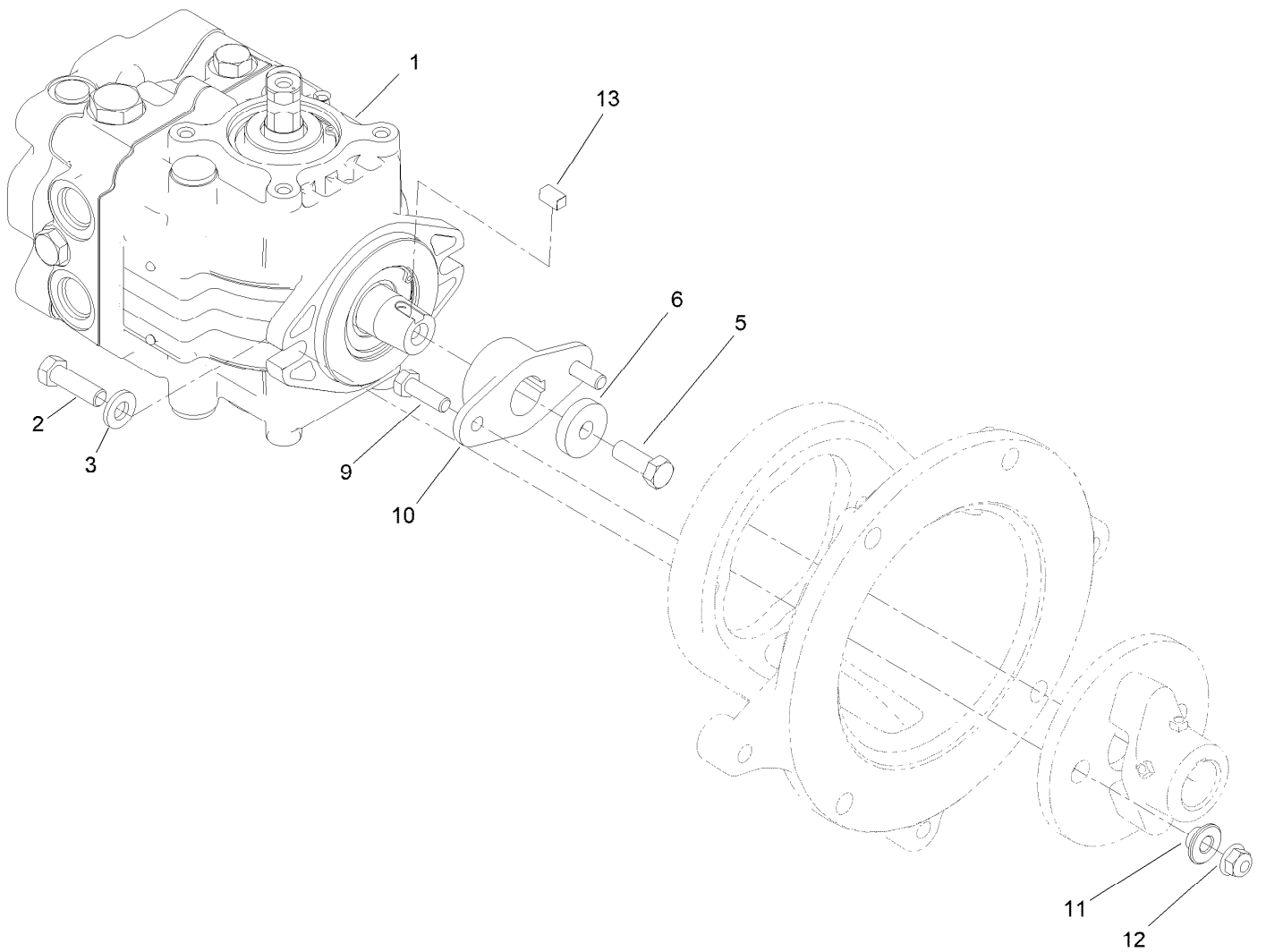
## Battery Assembly

<i>Ref.</i>	<i>Part Number</i>	<i>Qty.</i>	<i>Description</i>	<i>Ref.</i>	<i>Part Number</i>	<i>Qty.</i>	<i>Description</i>
1	99-7435	2	Relay	19	321-3	2	Screw-HH
2	100-6434	1	Rod-Hold Down, Battery	20	99-7430	1	Relay-Mini
3	100-6435	2	Post-Battery	21	3220-2	2	Nut-Hex Jam
4	99-7421	1	Battery- Wet, 12V, 300 CCA	22	3219-14	2	Nut-Hex
5	104-7201	6	Nut-HF, NI	23	3253-4	2	Washer-Lock
7	112-6349	2	Screw-HWH	24	3254-1	2	Washer-Lock, Int
8	114-3315	1	Solenoid	25	3296-2	4	Nut-Lock, NI
9	122-3374	1	Controller	26	32105-13	4	Screw-HWH
10	119-2097-01	1	Bracket-Relay	27	32149-8	2	Nut-Keps
11	119-2099-01	1	Plate-Mounting, Controller	29	119-4041	4	Nut-HF
12	161-4743-01	1	Brkt-Fuse Block	30	3217-5	2	Nut-Hex
14	3234-21	4	Screw-HHF	31	115-8227	1	Decal-Controller
15	3234-47	4	Screw-HHF	32	85-4750	1	Box-Display, Diagnostic
16	32103-22	2	Nut-Wing	33	107069	2	Clip
17	3234-33	2	Screw-HHF	34	3256-23	1	Washer-Plain
18	106948	1	Tray-Battery	35	32104-32	1	Screw-HWH



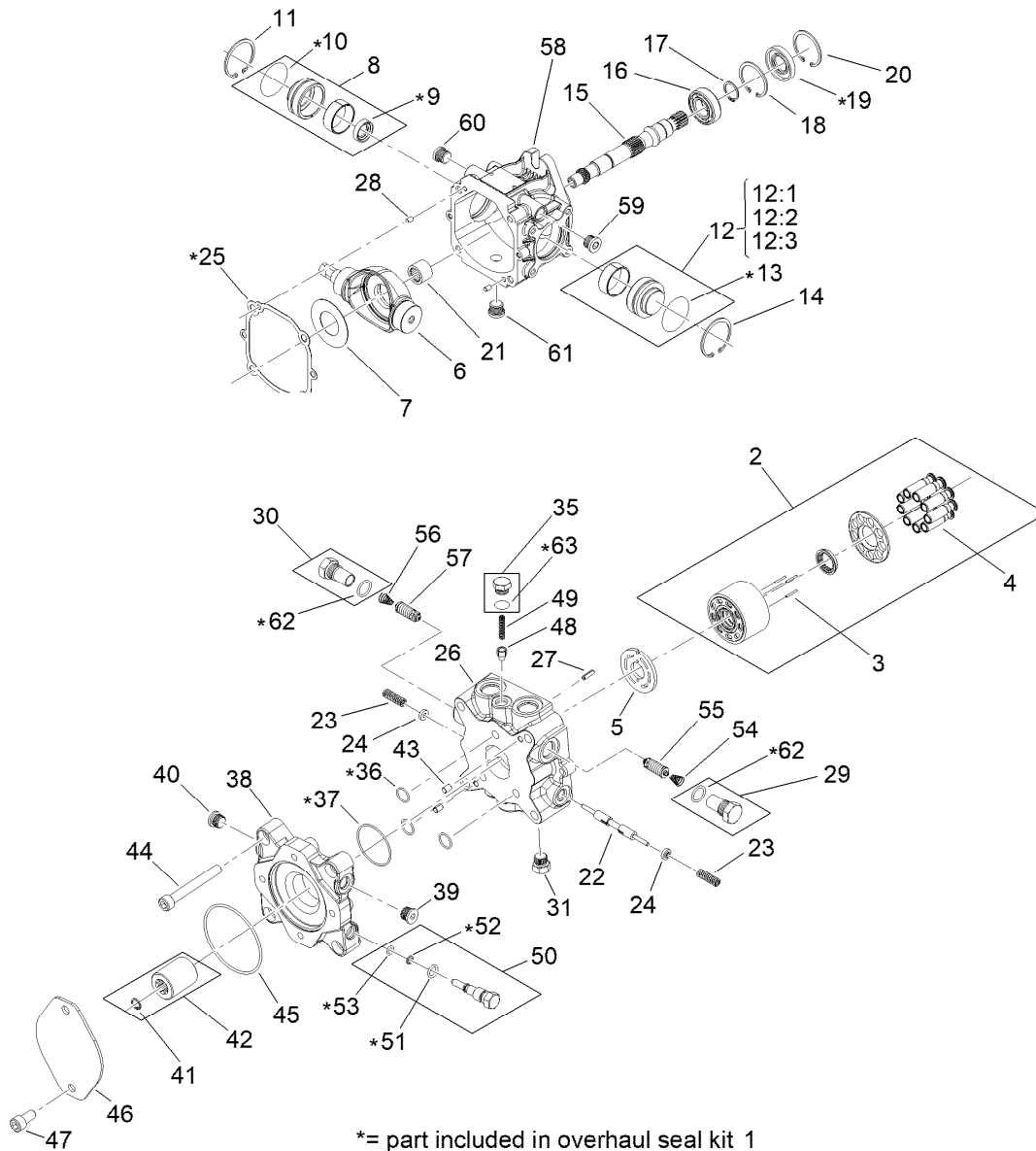
## Wire Harness Assembly

<i>Ref.</i>	<i>Part Number</i>	<i>Qty.</i>	<i>Description</i>	<i>Ref.</i>	<i>Part Number</i>	<i>Qty.</i>	<i>Description</i>
1	122-1736	1	Harness-Wire, Triflex Gas	5	99-3441	1	Harness-Wire, Fusible Link
1:15	94-6710	1	Fuse-2 Amp	6	122-2161	1	Harness-Wire
1:16	114241	3	Fuse-Blade, 7.5 Amp	6:3	121-8861	1	Fuse-Mini Blade, 2 Amp
1:17	218-578	2	Fuse-Blade, 10 Amp	6:4	32180-101	1	Cover-Fuse, Single
1:18	109355	1	Fuse-Blade, 15 Amp	7	161-9001	1	Gateway-Telematics
1:24	104-4022	1	Resistor-75 Ohm	8	163-2492-03	1	Bracket-Mount, Hmu
2	109-7653	1	Positive Battery Cable ASM	9	119-6727	1	U-Bolt
2:1	109-2407	1	Insulator-Battery	10	119-4042	2	Nut-HF, NI
2:2	1-543393	1	Insulator-Solenoid	11	131-6456	4	Screw-HWH
3	119-1781	1	Cable-Battery, Positive	12	3296-2	4	Nut-Lock, NI
4	114-9748	1	Cable-Battery, Negative	13	3290-379	4	Tie-Cable



## Pump Coupling Assembly

<b>Ref.</b>	<b>Part Number</b>	<b>Qty.</b>	<b>Description</b>
1	139-6474	1	Pump-Hydro, Danfoss
2	323-7	2	Screw-HH
3	100-4852	2	Washer-Hardened
5	3211-4	1	Screw-HH
6	138-8594	1	Spacer
9	322-5	2	Screw-HH
10	119-4485	1	Hub-Pump
11	125-9249	2	Spacer-Coupler, Rubber
12	119-4041	2	Nut-HF
13	145-4589	1	Key-Squ

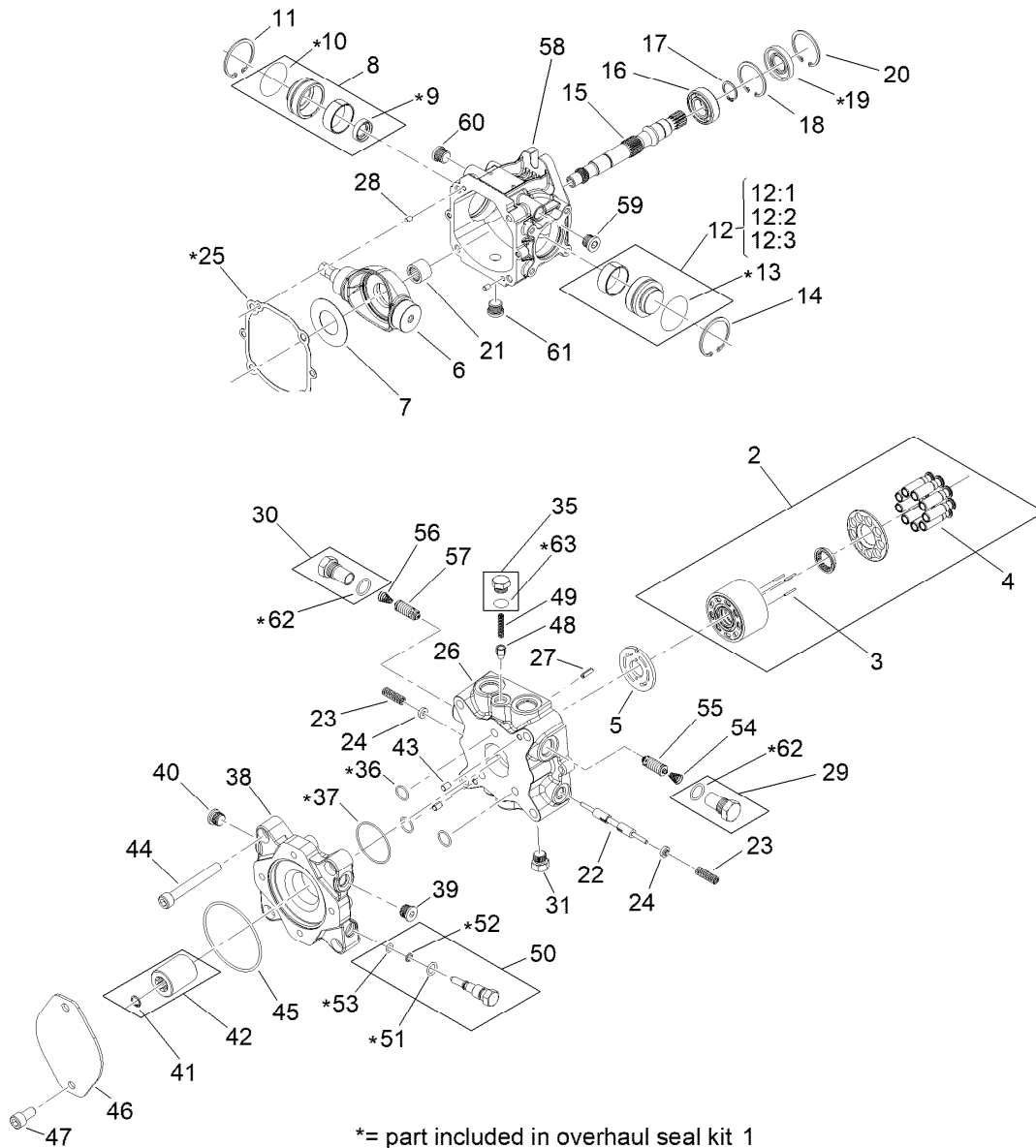


\*= part included in overhaul seal kit 1

## Hydraulic Pump Assembly No. 139-6474

Ref.	Part Number	Qty.	Description	Ref.	Part Number	Qty.	Description
1	136-1010	1	Seal Overhaul Kit	15	145-2683	1	Shaft-Pump
2	145-2670	1	Kit-Cylinder Block	16	136-1017	1	Bearing-Ball
3	145-2671	3	Pin-Slipper Holddown	17	136-1018	1	Ring-Retaining
4	145-2672	9	Piston Assy	18	136-1019	1	Ring-Retaining
5	145-2673	1	Valveplate-Pump	19	136-1021	1	Seal-Lip, Shaft
6	145-2674	1	Swashplate	20	136-1019	1	Ring-Retaining
7	145-2675	1	Plate-Thrust	21	145-2689	1	Needle Bearing
8	145-2676	1	Journal Carrier (A) Assy	22	145-2690	1	Spool-Flushing
9	145-2677	1	Seal Lip	23	145-2691	2	Spring Flushing
10	145-2678	1	O-Ring	24	145-2692	2	Guide Spring
11	145-2679	1	Ring-Retaining	25	136-1023	1	Gasket-Cap, End
12	136-1015	1	Journal Bearing Carrier ASM	26	145-2694	1	Endcap
12:1		1	O-Ring ●	27	145-2695	1	Pin-Slittd
12:2		1	Body ●	28	145-2696	2	Pin-Straight
12:3		1	Race-Inner ●	29	145-2697	1	Plug Assy
13	145-2681	1	O-Ring	30	145-2698	1	Plug Assy
14	145-2682	1	Ring-Retaining	31	136-1026	1	Plug ASM
				35	145-2703	1	Plug Assy

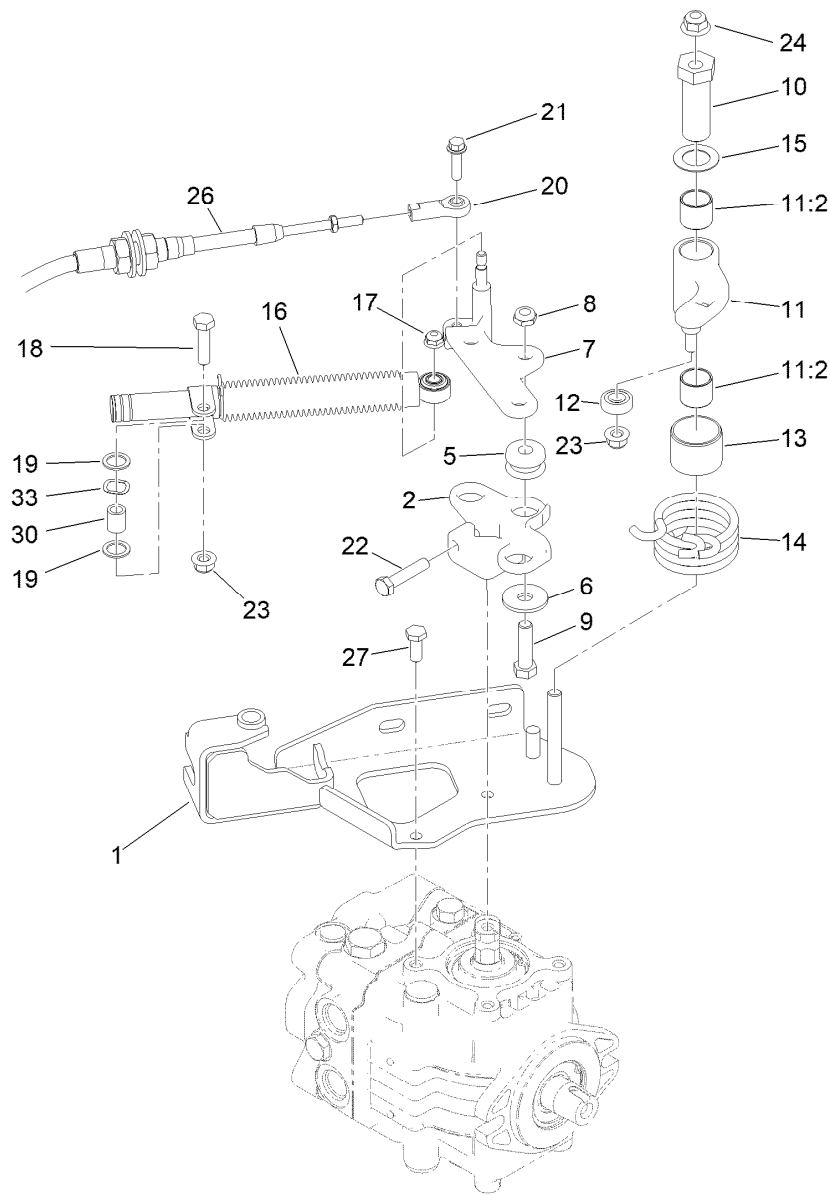
● Not serviced separately



## Hydraulic Pump Assembly No. 139-6474 (continued)

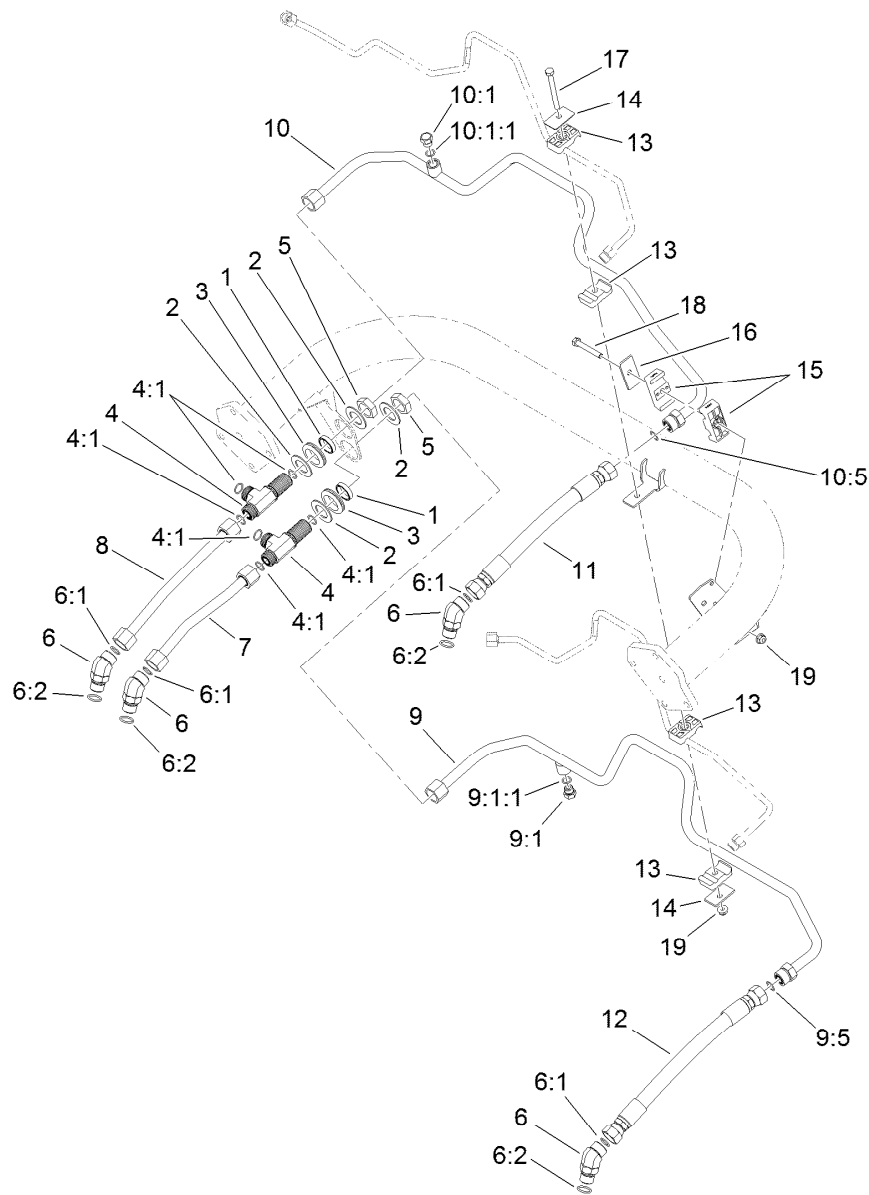
Ref.	Part Number	Qty.	Description	Ref.	Part Number	Qty.	Description
36	136-1032	3	O-Ring	50	145-2718	1	Valve Assy-Bypass
37	145-2705	1	O-Ring	51	145-2719	1	O-Ring
38	145-2706	1	Adapter	52	145-2720	1	Ring-Back Up
39	145-2707	1	Plug Assy	53	145-2721	1	O-Ring
40	145-2708	1	Plug Assy	54	145-2722	1	Spring-Compression
41	145-2709	1	Ring-Retaining	55	145-2723	1	Valve Assy-Scr
42	145-2710	1	Coupling Assy	56	145-2724	1	Spring-Compression
43	145-2711	2	Pin-Straight	57	145-2725	1	Valve Assy-Scr
44	145-2712	4	Screw-Soc	58	145-2726	1	Housing A-Pad Ddc20
45	131-7607	1	O-Ring	59	145-2727	1	Plug Assy-Soc
46	145-2714	1	Flange Cover	60	145-2728	1	Plug Assy-Soc
47	145-2715	2	Screw-Soc	61	145-2729	1	Plug Assy-Soc
48	145-2716	1	Cone Relief Valve	62	145-2730	2	O-Ring
49	145-2717	1	Spring	63	145-2731	1	O-Ring

● Not serviced separately



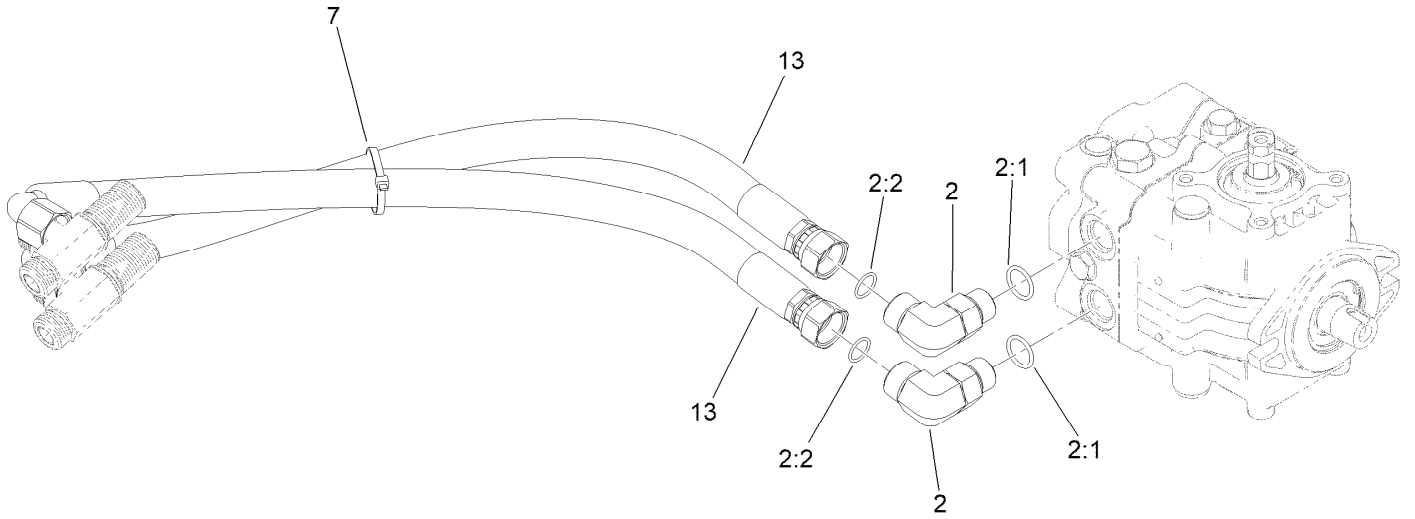
## Neutral Centering Assembly

<i>Ref.</i>	<i>Part Number</i>	<i>Qty.</i>	<i>Description</i>	<i>Ref.</i>	<i>Part Number</i>	<i>Qty.</i>	<i>Description</i>
1	140-5211-03	1	Bracket-Cable, Hydro	16	140-6248	1	Damper
2	140-5231	1	Cam-Neutral	17	104-7201	1	Nut-HF, NI
5	63-9750	3	Mount	18	322-6	1	Screw-HH
6	93-8806	3	Washer-Hardened	19	94-8196	2	Washer-Nylon
7	140-5221	1	Lever-Hydro	20	2411-41	1	Rod End-Ball Joint
8	3296-59	3	Nut-Lock, NI	21	119-1066	1	Screw-HHF, Patch
9	323-29	3	Screw-HH	22	120-2779	1	Screw-HH
10	117-9046	1	Stud-Eccentric	23	119-4041	2	Nut-HF
11	145-0071	1	Neutral Arm ASM	24	119-4042	1	Nut-HF, NI
11:2	94-9609	2	Bushing-Straight	26	119-1735	1	Cable-Control, Traction
12	251-259	1	Bearing-Ball	27	33114-020	2	Screw-HH
13	136-8418	1	Bushing	30	94-8197	1	Tube-Pivot
14	117-9047	1	Spring-Torsion	33	108473	1	Washer-Wave
15	119-8199	1	Washer-Nylon				



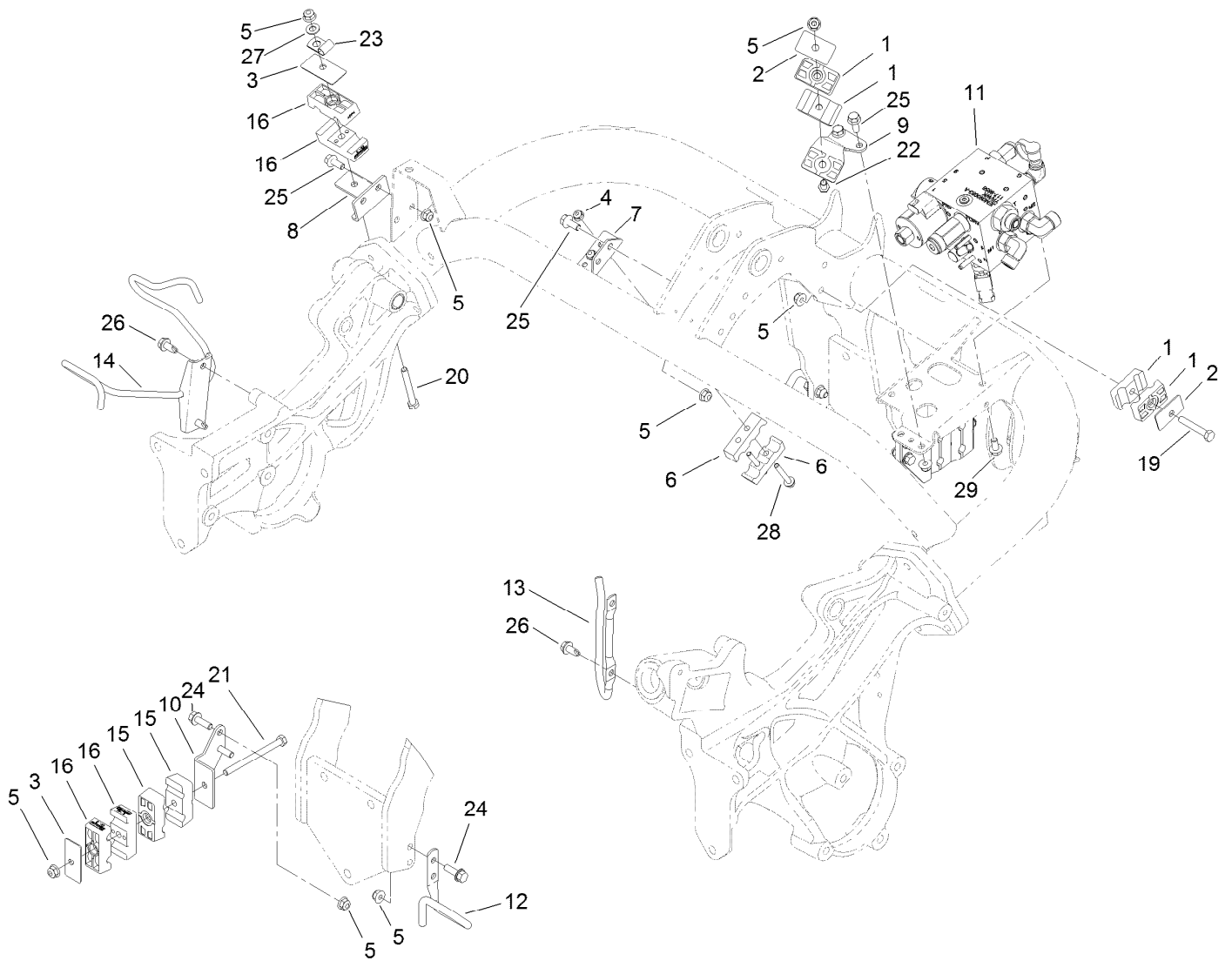
## Traction Drive Hydraulic Line Assembly

<i>Ref.</i>	<i>Part Number</i>	<i>Qty.</i>	<i>Description</i>	<i>Ref.</i>	<i>Part Number</i>	<i>Qty.</i>	<i>Description</i>
1	125-1984	2	Spacer	9:5	237-65	1	O-Ring
2	69-9010	4	Washer	10	119-2064	1	HYD Tube ASM
3	240-3	2	Grommet-Rubber	10:1	353-508	1	Plug-HH
4	94-5350	2	Fitting-Tee	10:1:1	237-42	1	O-Ring
4:1	237-65	3	O-Ring	10:5	237-65	1	O-Ring
5	340-74	2	Nut-Lock, Bulkhead	11	115-9484	1	Hose-HYD
6	340-14	4	Fitting-HYD, 45 DEG	12	115-9485	1	Hose-HYD
6:1	237-65	1	O-Ring	13	56-7970	4	Clamp-Tube
6:2	237-80	1	O-Ring	14	69-9760	2	Plate-Cover
7	119-2057	1	Tube-HYD	15	138-5045	2	Clamp-Tube
8	119-2058	1	Tube-HYD	16	69-9761	1	Plate-Cover
9	119-2063	1	Tube-HYD	17	322-20	1	Screw-HH
9:1	353-508	1	Plug-HH	18	322-12	1	Screw-HH
9:1:1	237-42	1	O-Ring	19	119-4041	2	Nut-HF



## Traction Drive Hose Routing Assembly

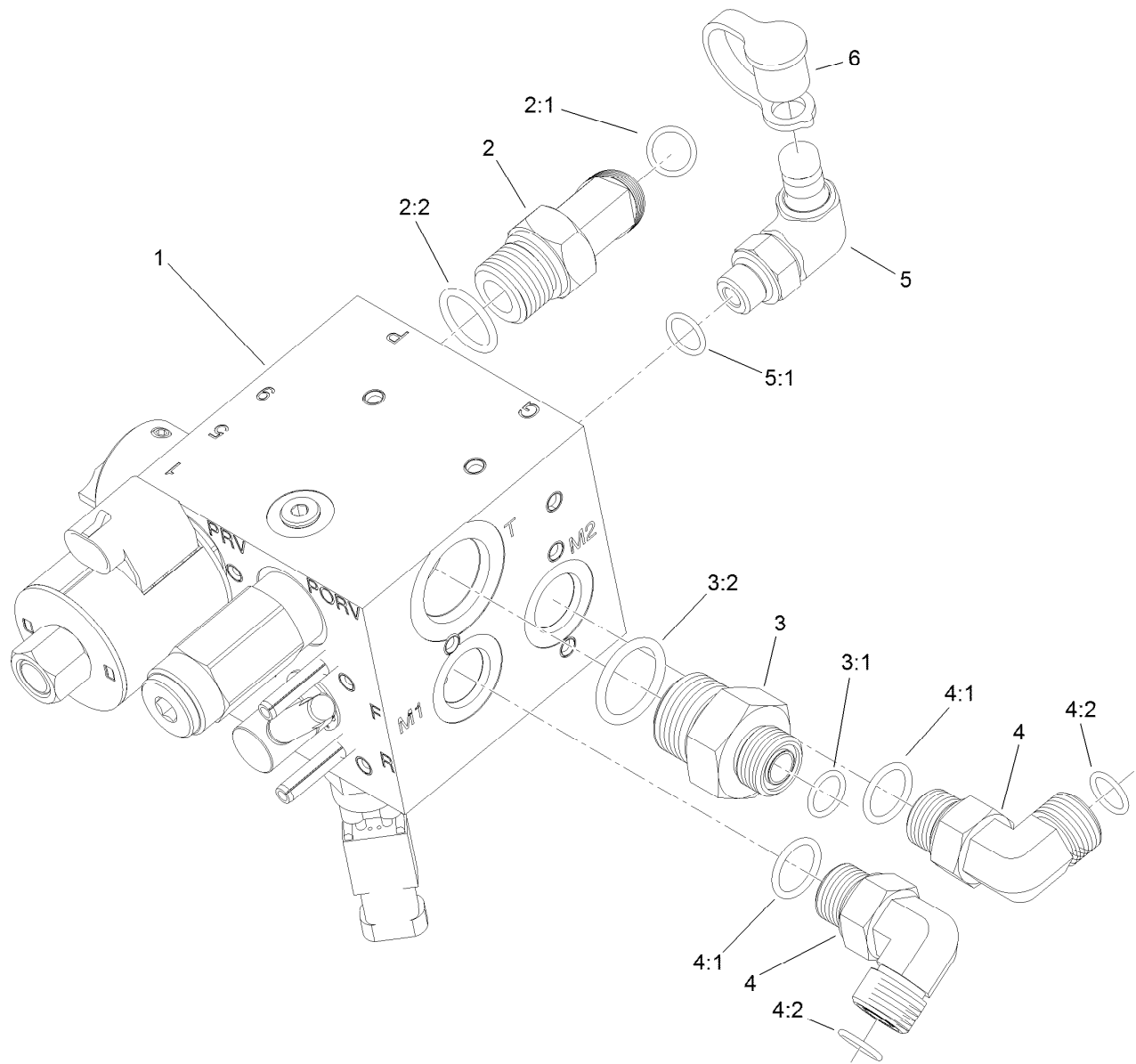
<i>Ref.</i>	<i>Part Number</i>	<i>Qty.</i>	<i>Description</i>
2	340-17	2	Fitting-Elbow, 90 DEG
2:1	237-65	1	O-Ring
2:2	237-80	1	O-Ring
7	3290-378	1	Tie-Cable
13	120-1988	2	Hose-HYD



## Hydraulic Mow Assembly

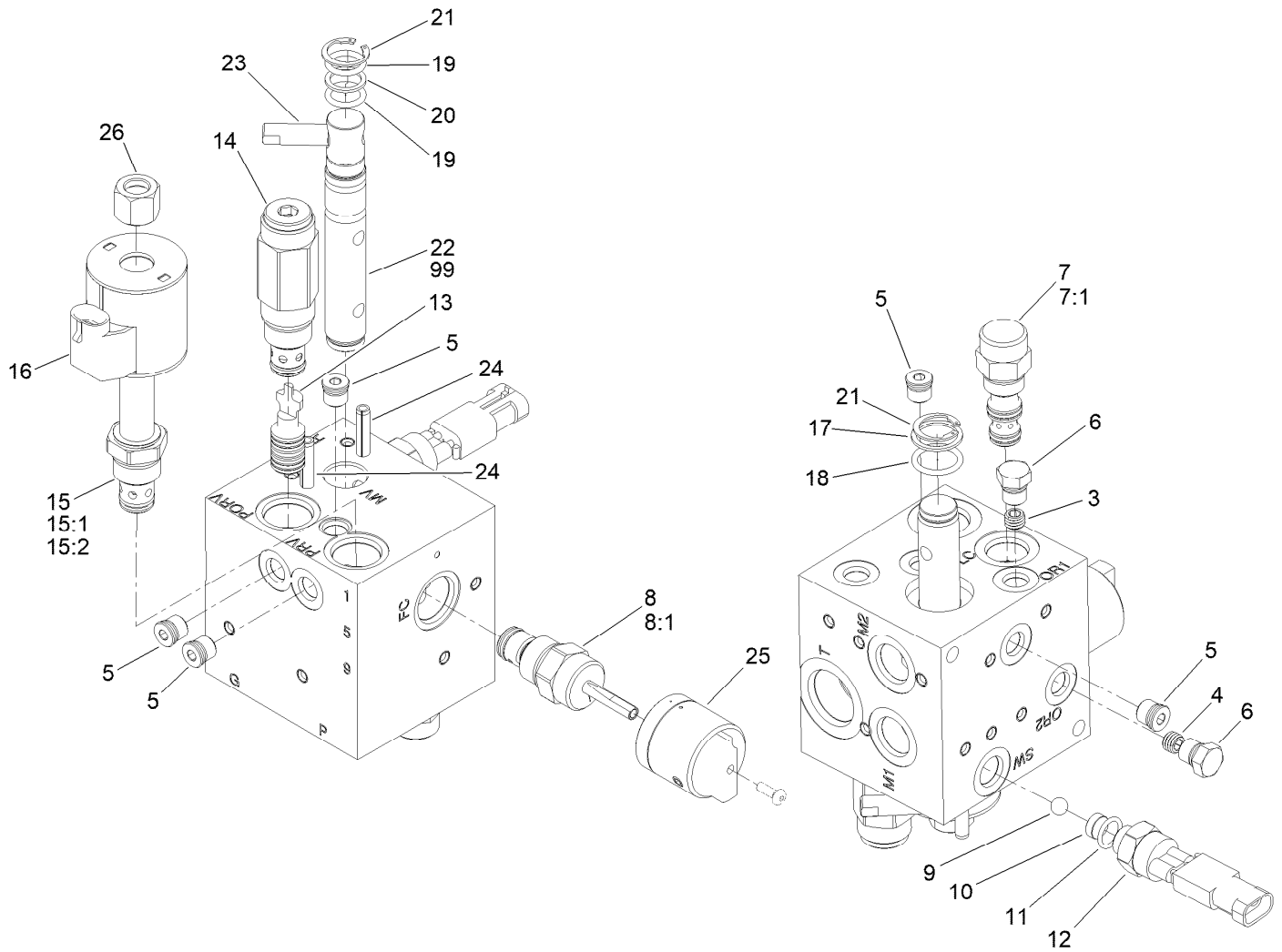
Ref.	Part Number	Qty.	Description	Ref.	Part Number	Qty.	Description
1	56-7972	4	Clamp-Tube	15	119-8156	2	Clamp-Tube
2	69-9760	2	Plate-Cover	16	138-5044	4	Clamp-Tube
3	69-9761	2	Plate-Cover	19	322-10	1	Screw-HH
4	104-7201	2	Nut-HF, NI	20	322-12	1	Screw-HH
5	119-4041	14	Nut-HF	21	322-19	1	Screw-HH
6	119-2082	2	Clamp-Tube	22	322-21	1	Screw-HH
7	119-2091	1	Bracket-Tube	23	2412-113	1	Clamp-R
8	119-2095	1	Bracket-Tube	24	3234-29	4	Screw-HHF
9	119-2106	1	Bracket-Clamp	25	3234-47	6	Screw-HHF
10	119-4493	1	Bracket-Support, Tube	26	32104-32	4	Screw-HWH
11		1	Mow Manifold ASM ●	27	3256-23	1	Washer-Plain
12	121-6671	1	Wireform Hose Support	28	32105-18	2	Screw-HHF
13	121-6667	1	Wireform-Hose, HYD	29	3234-7	2	Screw-HHF
14	119-8109-03	1	Bracket-Hose				

● Not serviced separately



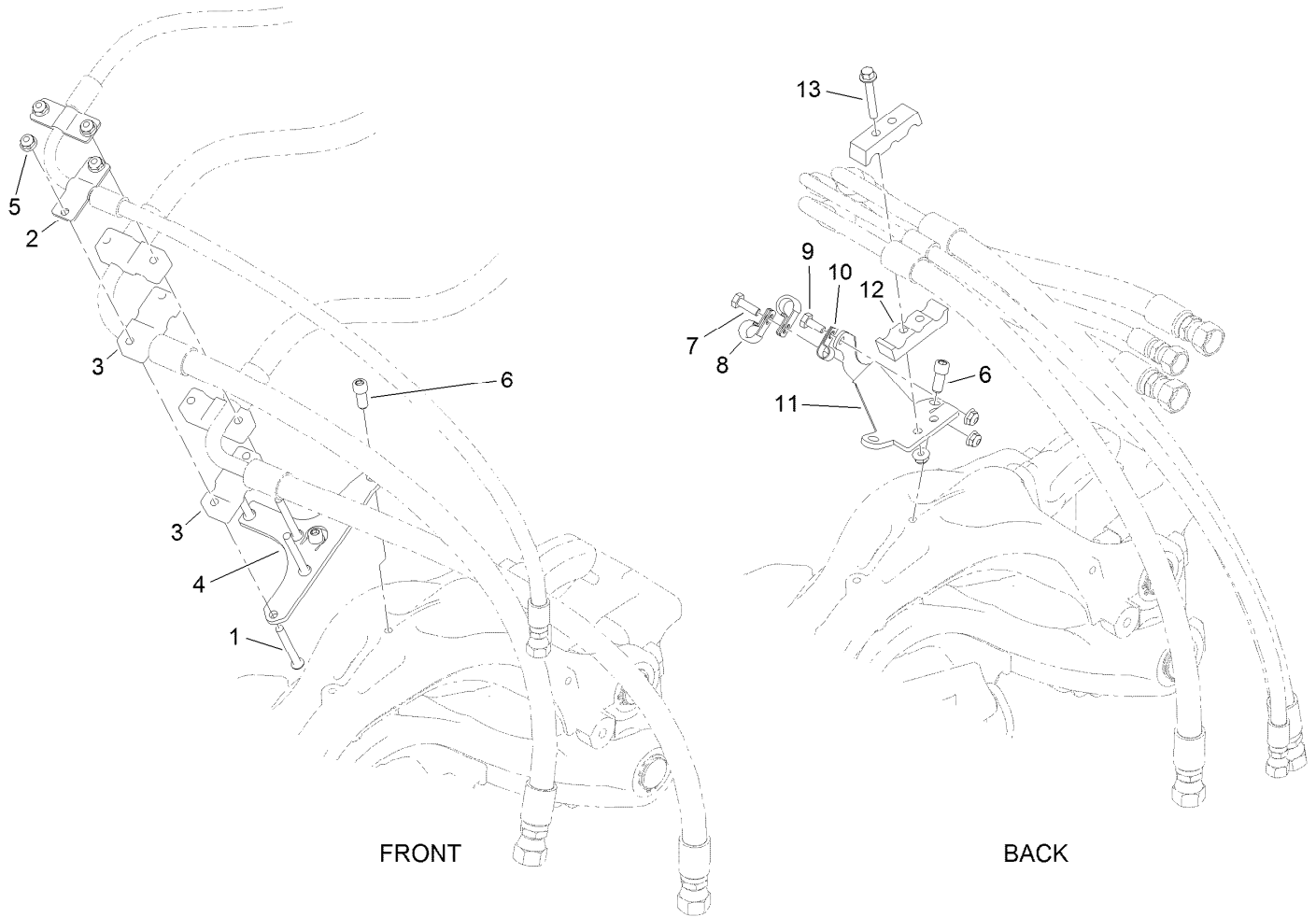
## Hydraulic Mow Manifold Assembly

Ref.	Part Number	Qty.	Description
1	147-3079	1	Block-Manifold
2	340-89	1	Fitting-HYD, 45 DEG
2:1	237-30	1	O-Ring
2:2	237-80	1	O-Ring
3	100-4240	1	Fitting-STR
3:1	237-30	1	O-Ring
3:2	237-81	1	O-Ring
4	340-98	2	Fitting-Elbow, 90 DEG
4:1	237-79	1	O-Ring
4:2	237-30	1	O-Ring
5	115-9147	1	Fitting-Elbow, 90 DEG
5:1	237-78	1	O-Ring
6	354-79	1	Cap-Dust



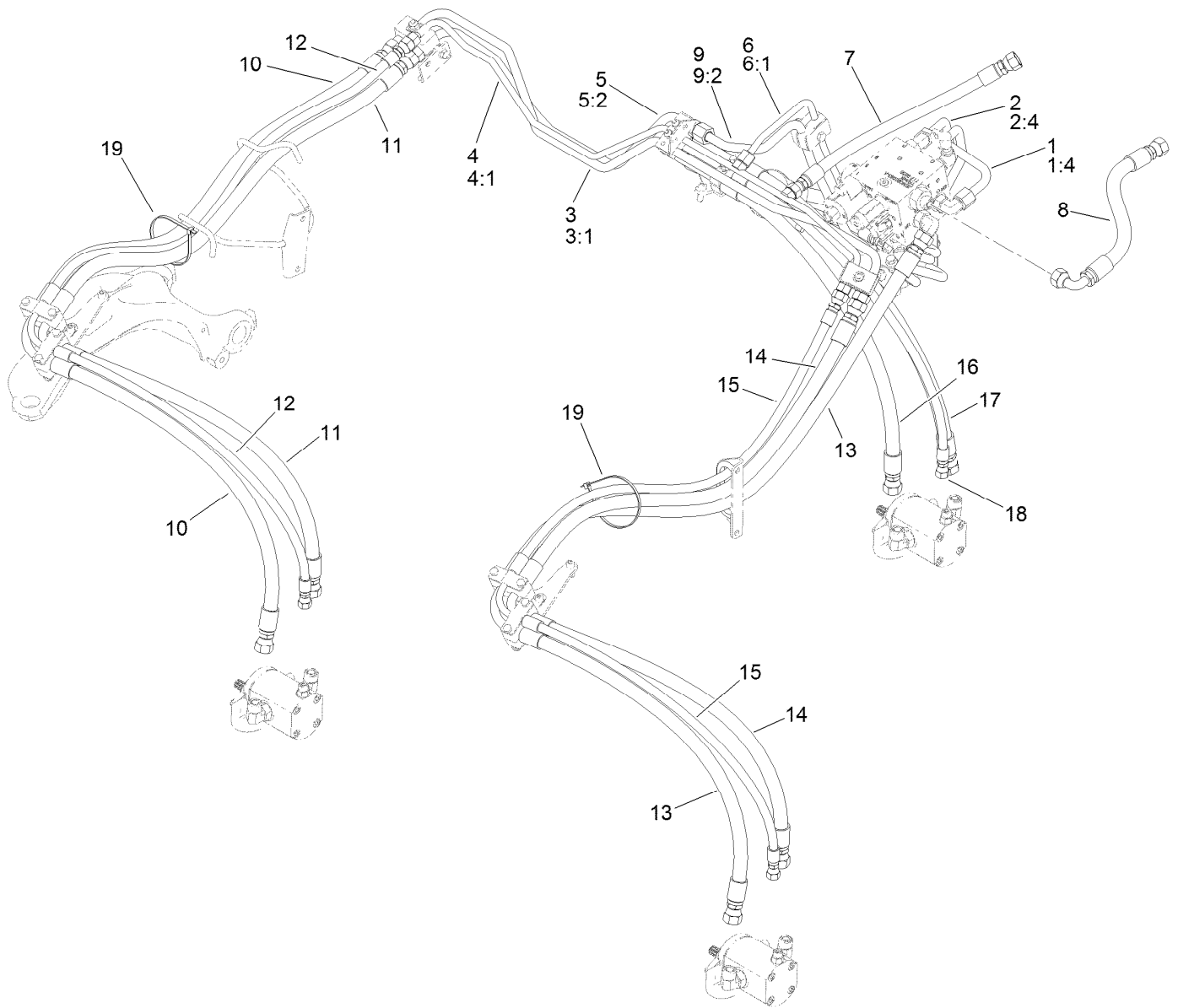
## Hydraulic Mow Manifold Assembly No. 147-3079

Ref.	Part Number	Qty.	Description	Ref.	Part Number	Qty.	Description
3	120-5761	1	Orifice (.020)	15:1	110-6316	1	Seal Kit
4	112-9202	1	Orifice-Flow, Control (.060)	15:2	130-8180	1	Nut-Coil (9/16-24 Unef-2B)
5	106-1025	3	Plug-HYD	16	110-6344	1	Coil-12V, DC
6	117-0115	2	Plug	17	106-8139	1	Ring-Back Up
7	120-5762	1	Element-Logic	18	117-4607	1	O-Ring
7:1	110-8773	1	Seal Kit	19	117-4606	2	O-Ring
8	147-3068	1	Valve-Control, Manual Flow	20	112-6534	1	Ring-Back Up
8:1	132-6231	1	Seal Kit	21	112-6532	2	Ring-Retaining
9	117-4605	1	Ball-SS	22	119-7141	1	Spool
10	119-7145	1	Shim-SS	23	110-8758	1	Handle-Spool
11	110-8757	1	O-Ring	24	112-6531	2	Pin-Spring
12	72-4320	1	Switch-Ball	25	119-7140	1	Knob
13	119-7146	1	Piston-Pilot (With Seals)	26	130-8180	1	Nut-Coil (9/16-24 Unef-2B)
14	119-7147	1	Valve-Relief	99	119-7142	1	Kit-Seal, Spool
15	110-8799	1	Valve-Relief, Proportional				



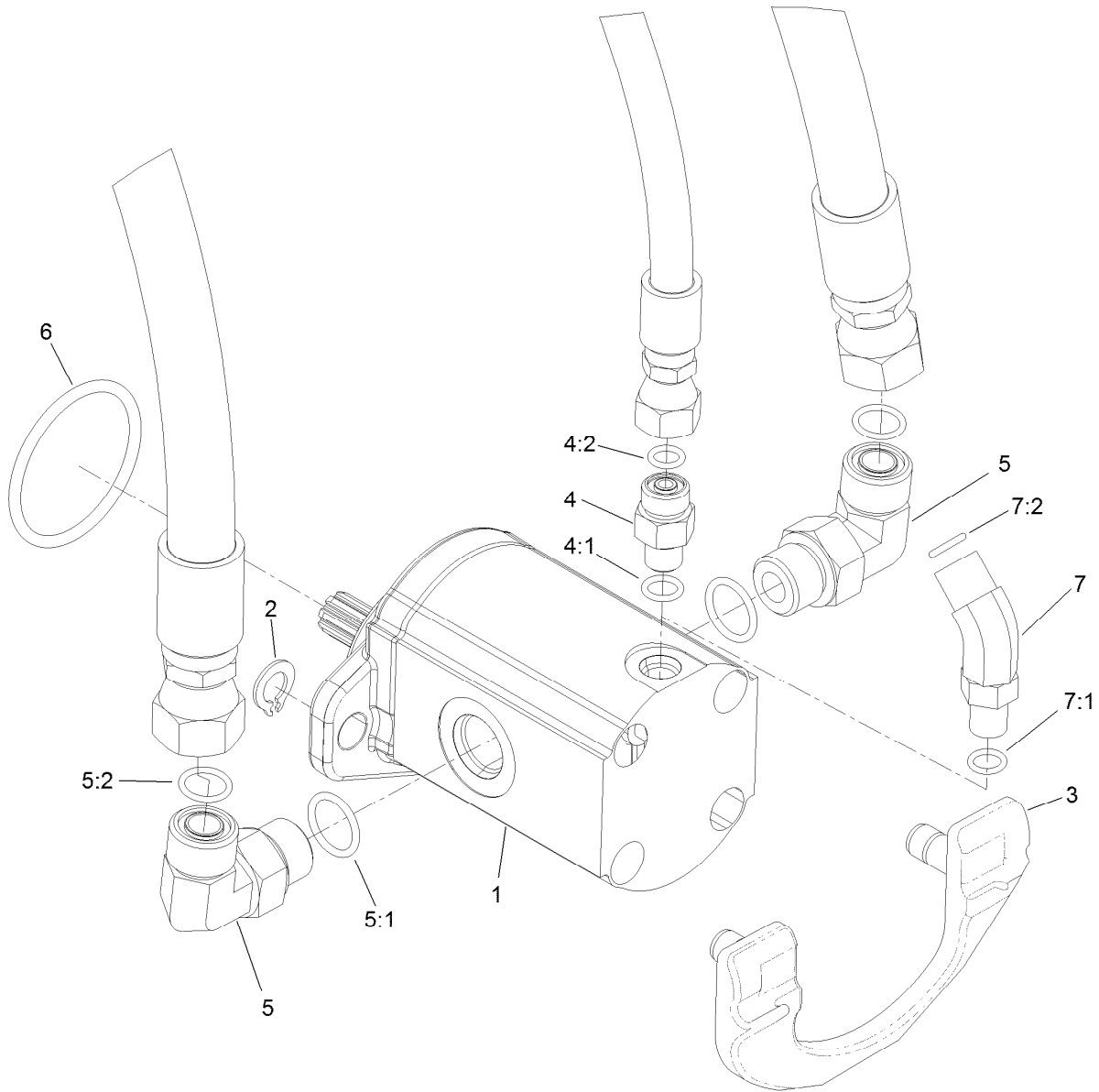
## Hydraulic Mow Clamp Assembly

<i>Ref.</i>	<i>Part Number</i>	<i>Qty.</i>	<i>Description</i>
1	120-2011	8	Screw-HSBH
2	119-8142	4	Strap
3	119-8141	8	Clamp-Tube
4	119-8143-03	2	Bracket-Clamp, Hose
5	104-7201	12	Nut-HF, NI
6	100-2401	6	Screw-HSH
7	321-4	1	Screw-HH
8	2412-73	2	Clamp-R
9	321-3	1	Screw-HH
10	2412-89	1	Clamp-R
11	119-8172-03	1	Bracket-Hose
12	119-2082	2	Clamp-Tube
13	32105-18	2	Screw-HHF



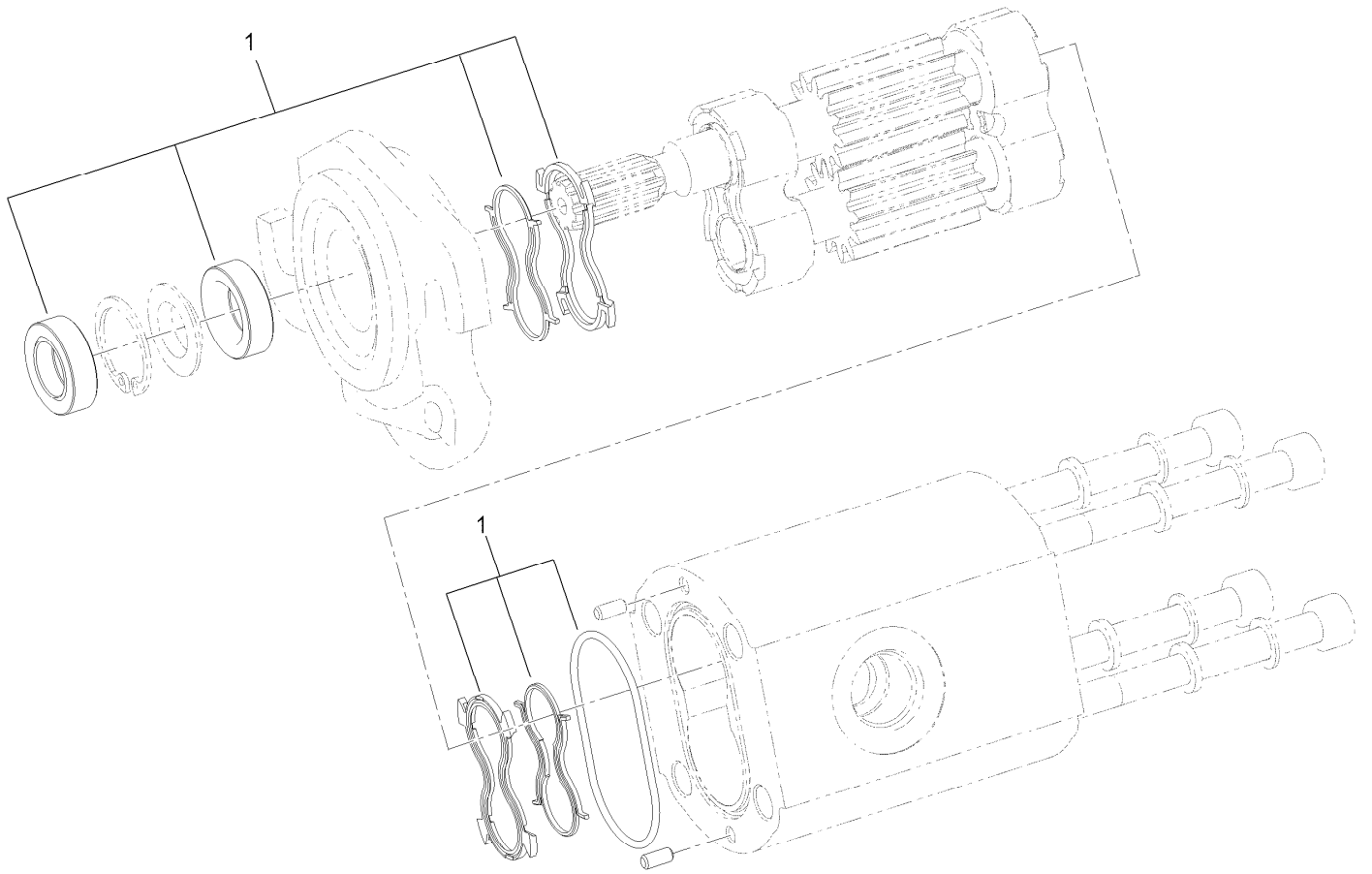
## Hydraulic Mow Hose Routing Assembly

<i>Ref.</i>	<i>Part Number</i>	<i>Qty.</i>	<i>Description</i>	<i>Ref.</i>	<i>Part Number</i>	<i>Qty.</i>	<i>Description</i>
1	117-9347	1	HYD Tube ASM	9	119-8122	1	HYD Tube ASM
1:4	237-30	1	O-Ring	9:2	237-30	1	O-Ring
2	119-2073	1	HYD Tube ASM	10	140-5282	1	HYD Hose ASM (Pressure #3)
2:4	237-30	1	O-Ring	11	140-5283	1	HYD Hose ASM (Return #3)
3	119-2078	1	HYD Tube ASM	12	139-6536	1	Hose ASM Case 3
3:1	237-30	2	O-Ring	13	140-5284	1	HYD Hose ASM (Pressure #2)
4	119-2079	1	HYD Tube ASM	14	140-5285	1	HYD Hose ASM (Return #2)
4:1	237-22	4	O-Ring	15	139-6535	1	Hose ASM Case 2
5	119-2084	1	HYD Tube ASM	16	140-5286	1	HYD Hose ASM (Pressure #1)
5:2	237-30	2	O-Ring	17	140-5287	1	HYD Hose ASM (Return #1)
6	119-2085	1	HYD Tube ASM	18	139-6534	1	Hose ASM Case 1
6:1	237-22	1	O-Ring	19	3290-379	2	Tie-Cable
7	119-2089	1	Hose-HYD (Case To Tank)				
8	119-8106	1	Hose-HYD (Mow Block/Tank)				



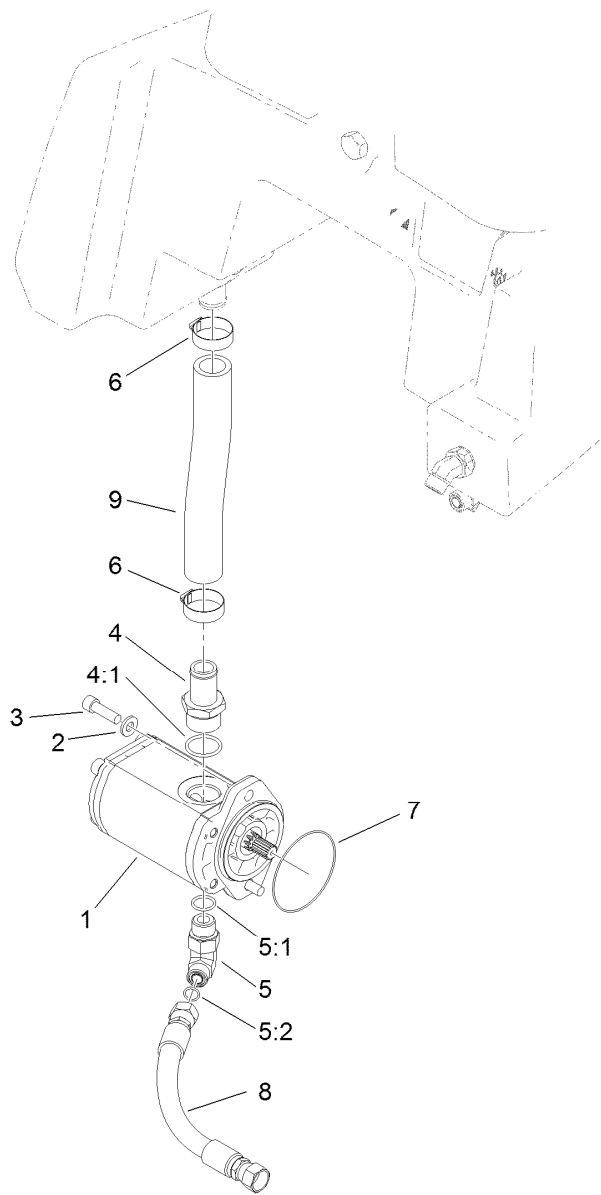
## Hydraulic Mow Reel Motor Assembly

<b>Ref.</b>	<b>Part Number</b>	<b>Qty.</b>	<b>Description</b>
1	115-3321	3	HYD Reel Motor ASM
2	133-8926	6	Ring-Retaining (Metric)
3	115-5389	3	Cam-Mount, Motor
4	340-92	2	Fitting-Straight
4:1	237-78	1	O-Ring
4:2	237-21	1	O-Ring
5	340-98	6	Fitting-Elbow, 90 DEG
5:1	237-79	1	O-Ring
5:2	237-30	1	O-Ring
6	115-3298	3	O-Ring
7	340-103	1	Fitting-HYD, 45 DEG
7:1	237-78	1	O-Ring
7:2	237-21	1	O-Ring



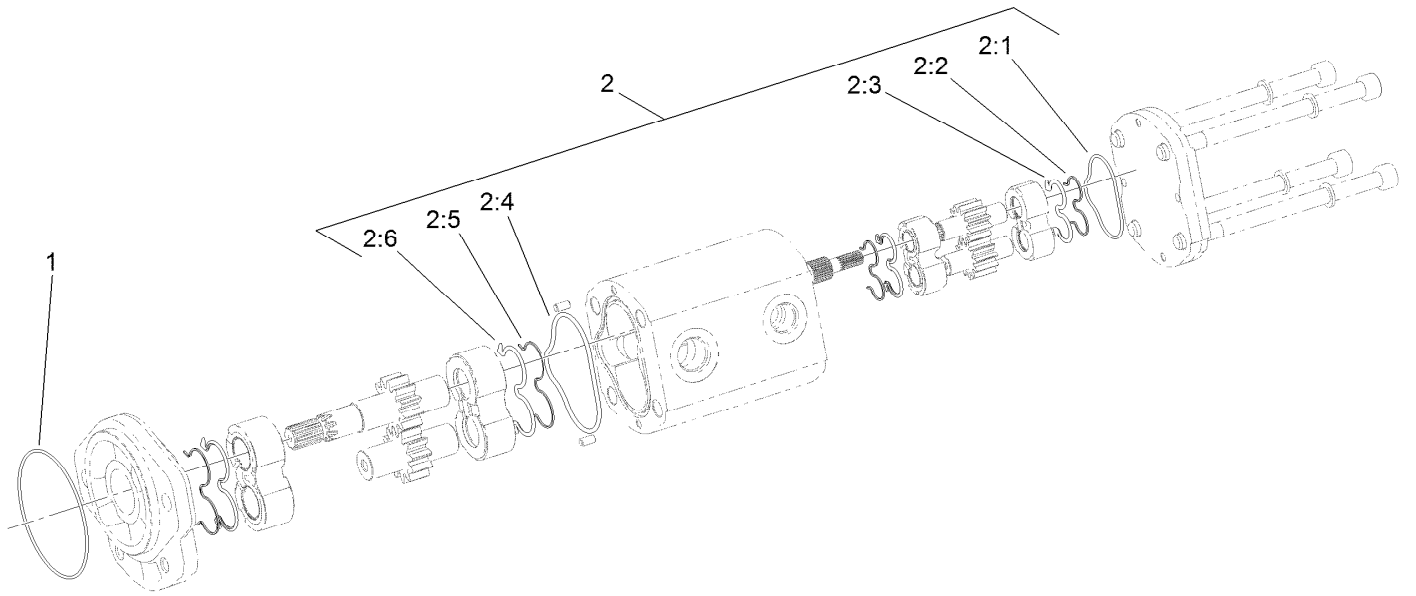
# Hydraulic Reel Motor Assembly No. 115-3321

<i>Ref.</i>	<i>Part Number</i>	<i>Qty.</i>	<i>Description</i>
1	145-2785	1	Seal Kit



## Hydraulic Mow Gear Pump Assembly

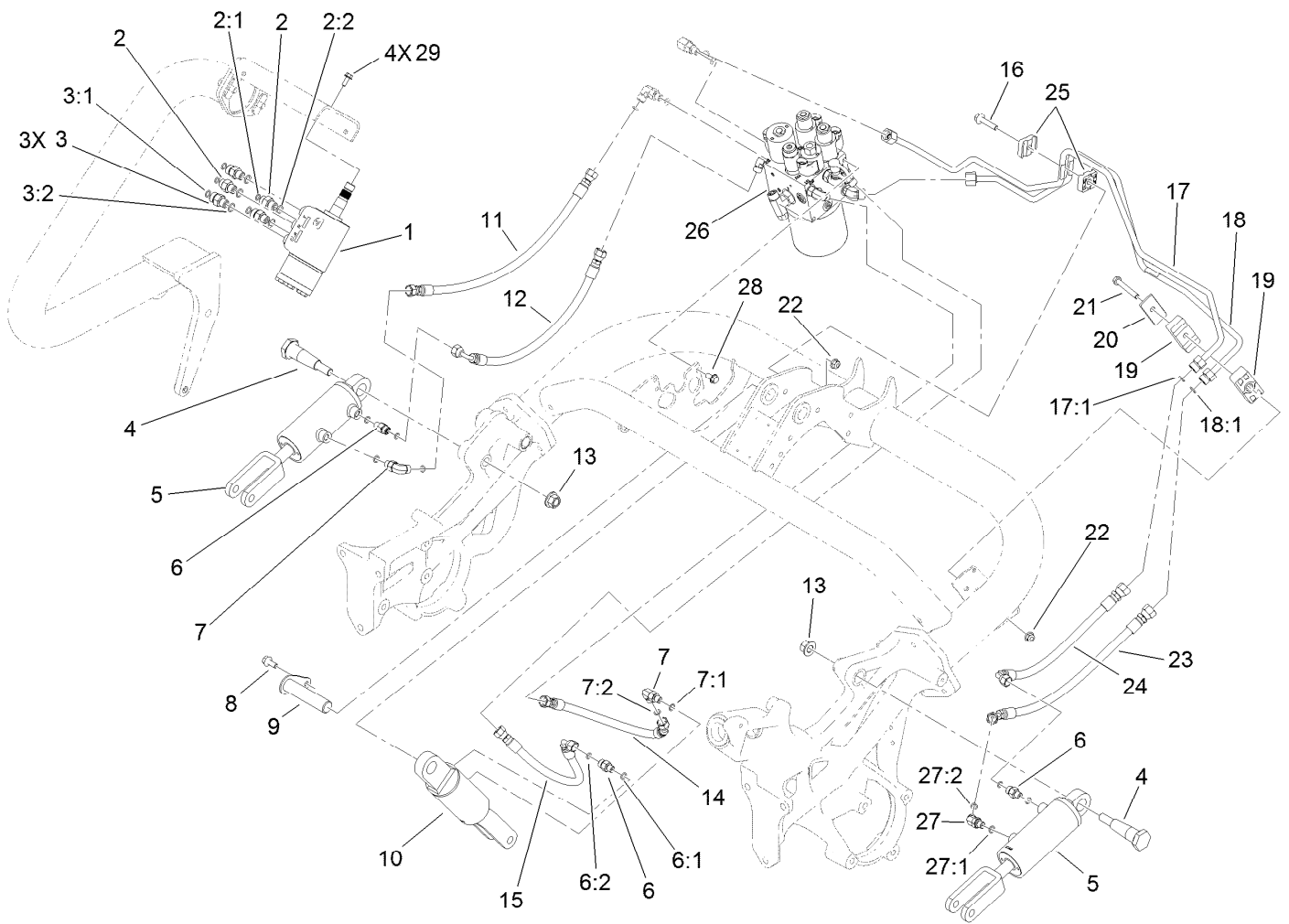
<b>Ref.</b>	<b>Part Number</b>	<b>Qty.</b>	<b>Description</b>
1	114-9956	1	HYD Gear Pump ASM
2	100-4852	2	Washer-Hardened
3	AU862-10030	2	Screw-HSH
4	354-78	1	Fitting-STR
4:1	237-146	1	O-Ring
5	340-105	1	Fitting-Elbow, 90 DEG
5:1	237-80	1	O-Ring
5:2	237-30	1	O-Ring
6	2412-34	2	Clamp-Hose
7	237-161	1	O-Ring
8	119-2074	1	Hose-HYD
9	119-2069	1	Hose-Suction



## Hydraulic Gear Pump Assembly No. 114-9956

<i>Ref.</i>	<i>Part Number</i>	<i>Qty.</i>	<i>Description</i>
1	353-949	1	O-Ring
2	119-7134	1	Kit-Seal
2:1		1	O-Ring ●
2:2		2	Seal-Extrusion, Anti ●
2:3		2	Seal-Backup ●
2:4		1	O-Ring ●
2:5		2	Seal-Extrusion, Anti ●
2:6		2	Seal-Backup ●

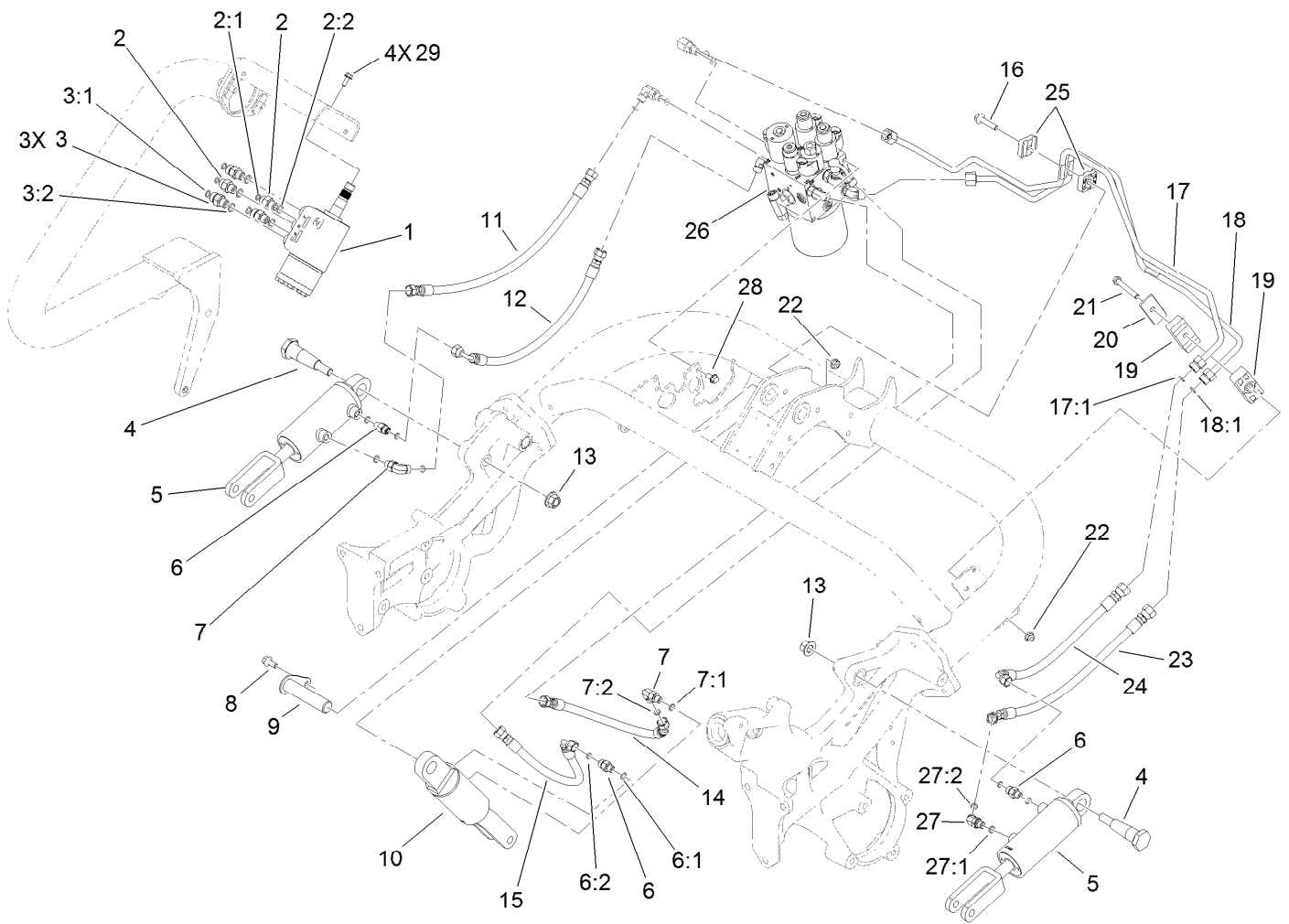
● Not serviced separately



## Lift Circuit Assembly

Ref.	Part Number	Qty.	Description	Ref.	Part Number	Qty.	Description
1	114-4672	1	Steering Valve ASM	10	119-8128	1	No. 1 HYD Cylinder ASM
2	340-1	2	Fitting-Straight	11	119-2052	1	Hose-HYD
2:1	237-21	1	O-Ring	12	119-2053	1	Hose-HYD
2:2	237-42	1	O-Ring	13	139-1689	2	Nut-HF
3	340-2	3	Fitting-Straight	14	119-2051	1	Hose-HYD
3:1	237-22	1	O-Ring	15	119-2050	1	Hose-HYD
3:2	237-42	1	O-Ring	16	115-1794	1	Screw-HHF
4	112-5709	2	Pin-Tapered	17	119-8126	1	HYD Tube ASM
5	119-8129	2	No. 2 And 3 HYD Cylinder ASM	17:1	237-22	1	O-Ring
6	340-92	3	Fitting-Straight	18	119-8127	1	HYD Tube ASM
6:1	237-78	1	O-Ring	18:1	237-22	1	O-Ring
6:2	237-21	1	O-Ring	19	120-3200	2	Clamp-Tube
7	340-132	2	Fitting-Elbow, 90 DEG	20	69-9761	1	Plate-Cover
7:1	237-78	1	O-Ring	21	322-12	1	Screw-HH
7:2	237-21	1	O-Ring	22	119-4041	3	Nut-HF
8	3234-47	1	Screw-HHF	23	119-2066	1	Hose-HYD
9	119-8104	1	Pin	24	119-2065	1	Hose-HYD
				25	56-7973	2	Clamp-Tube

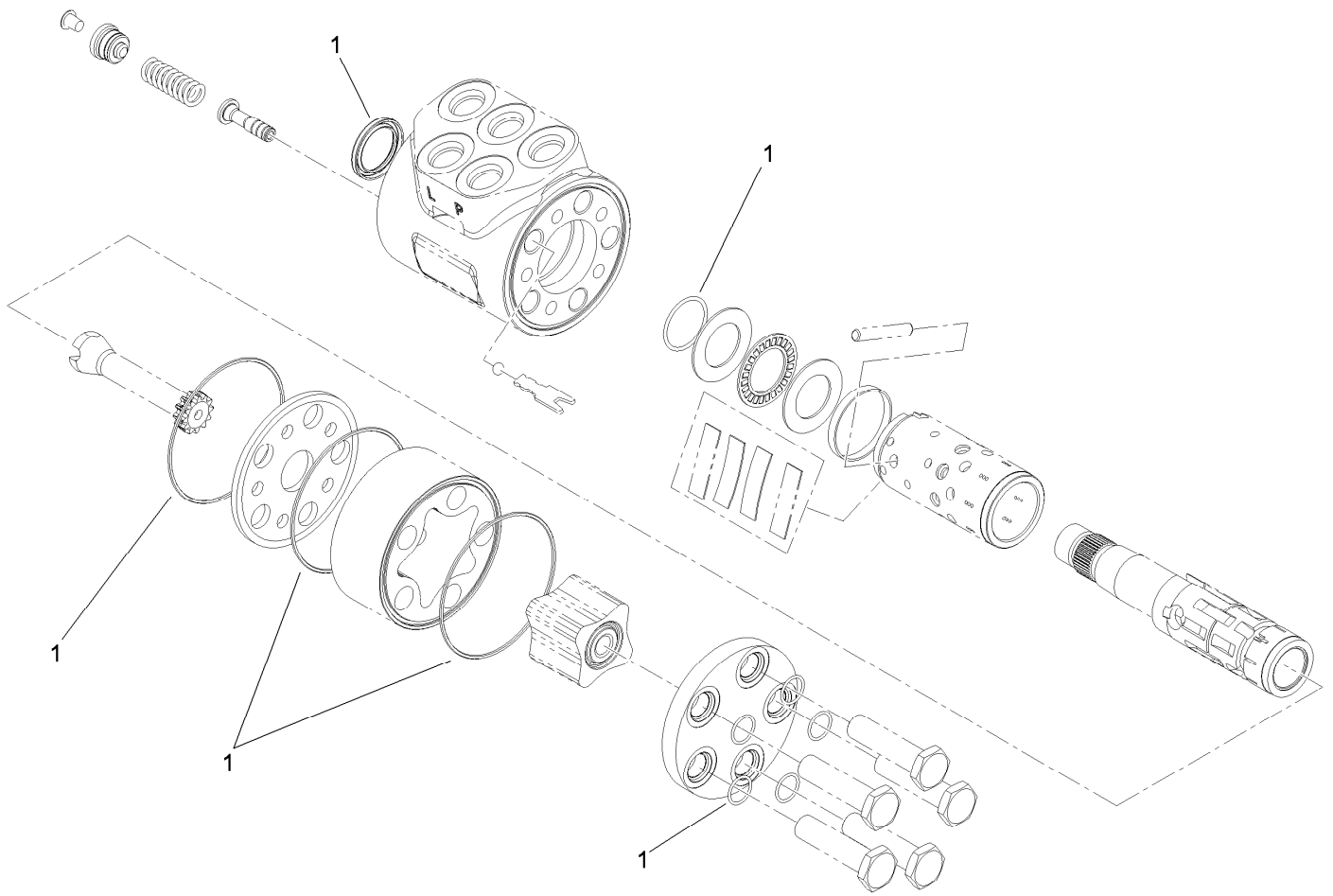
● Not serviced separately



## Lift Circuit Assembly (continued)

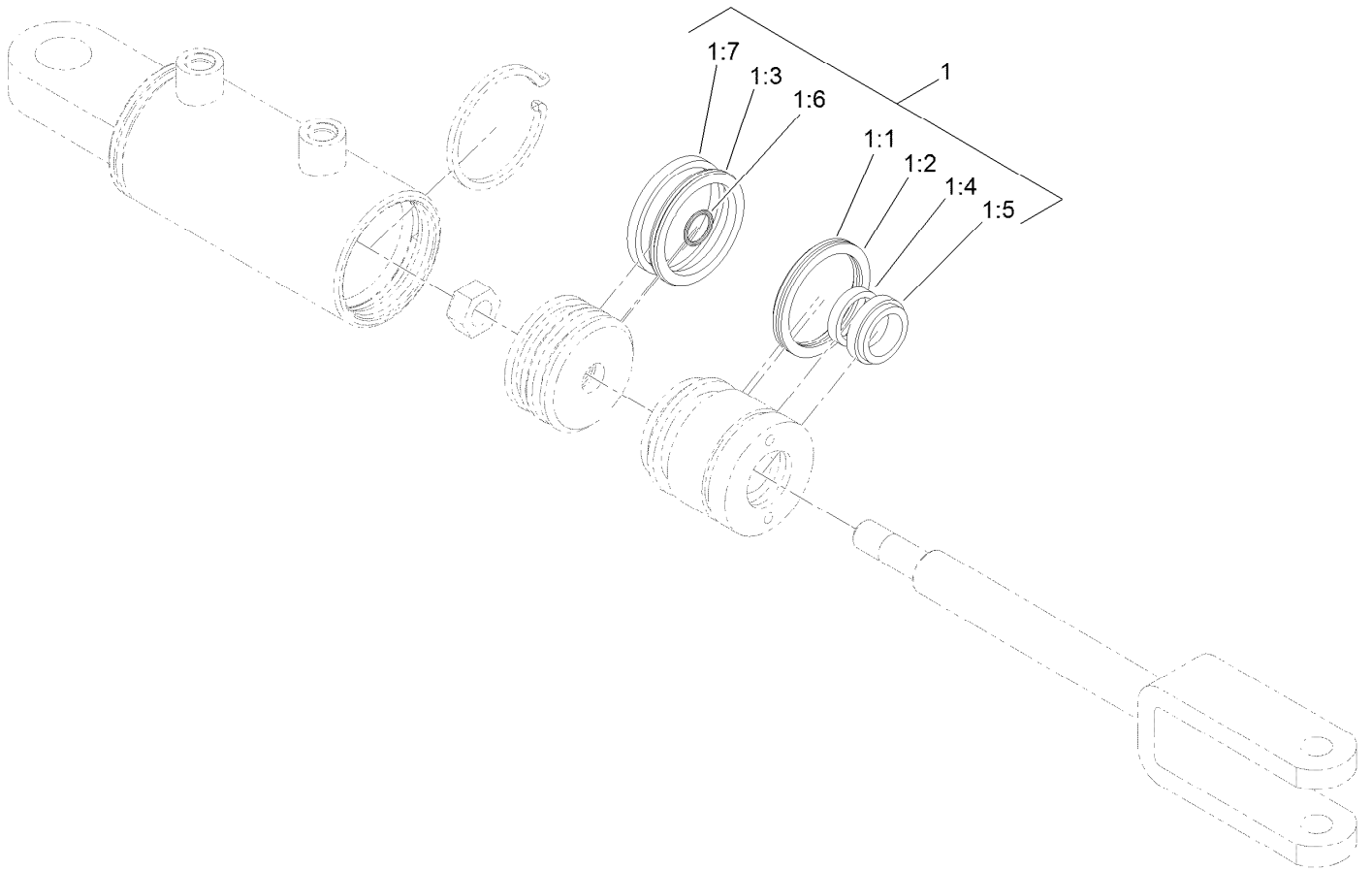
Ref.	Part Number	Qty.	Description	Ref.	Part Number	Qty.	Description
26		1	Hydraulic Lift Manifold ASM	27:2	237-21	1	O-Ring
27	340-103	1	Fitting-HYD, 45 DEG	28	3234-7	2	Screw-HHF
27:1	237-78	1	O-Ring	29	33103-016	4	Screw-HHF

● Not serviced separately



## Steering Valve Assembly No. 114-4672

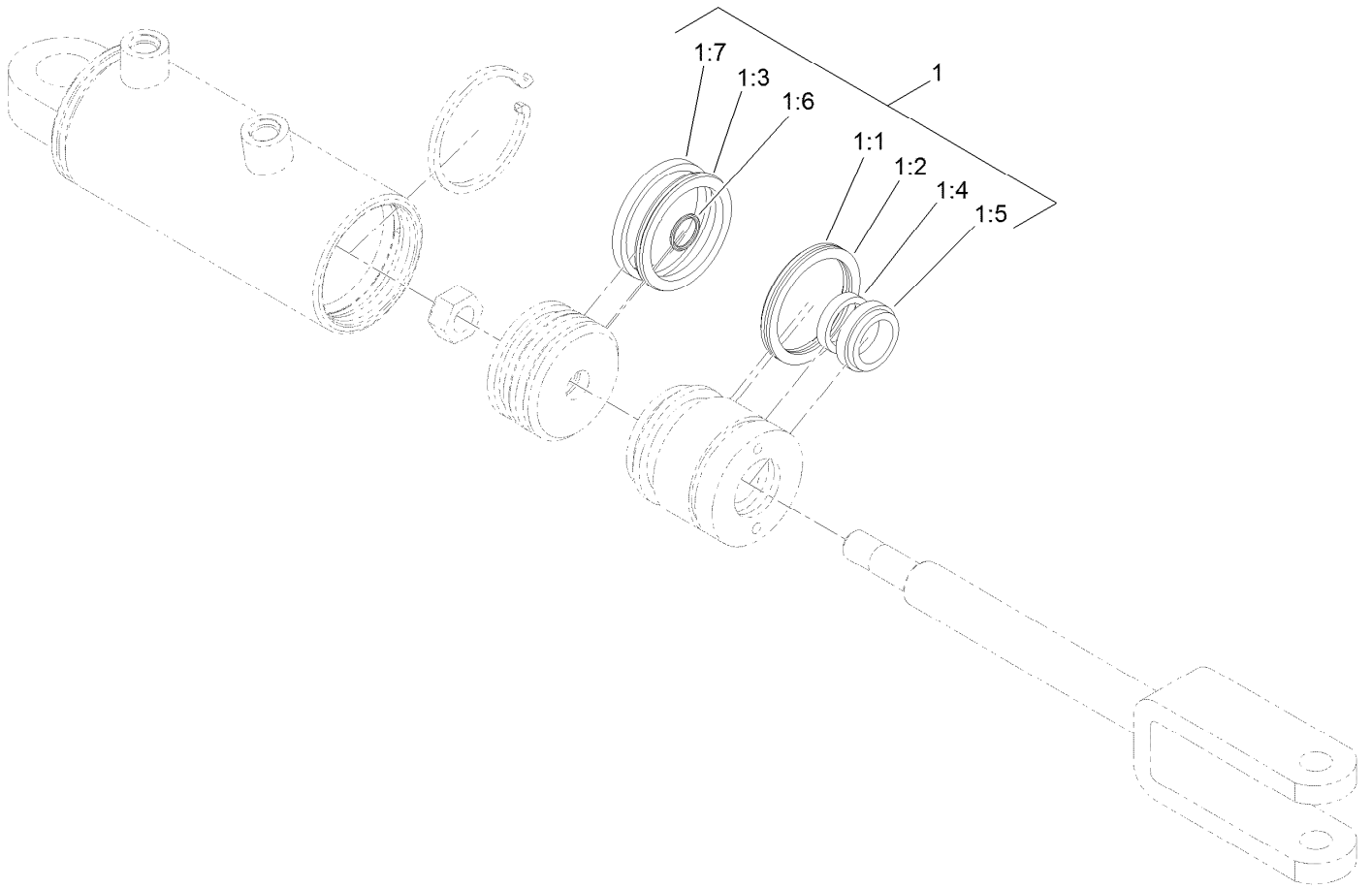
<i>Ref.</i>	<i>Part Number</i>	<i>Qty.</i>	<i>Description</i>
1	106-6716	1	Seal Kit



## Hydraulic Cylinder Assembly No. 119-8128

<i>Ref.</i>	<i>Part Number</i>	<i>Qty.</i>	<i>Description</i>
1	115-3410	1	Seal Kit
1:1		1	O-Ring ●
1:2		1	Backup ●
1:3		1	Bp Seal ●
1:4		1	Bs Seal ●
1:5		1	Seal-Dust ●
1:6		1	O-Ring ●
1:7		1	Ring-Wear ●

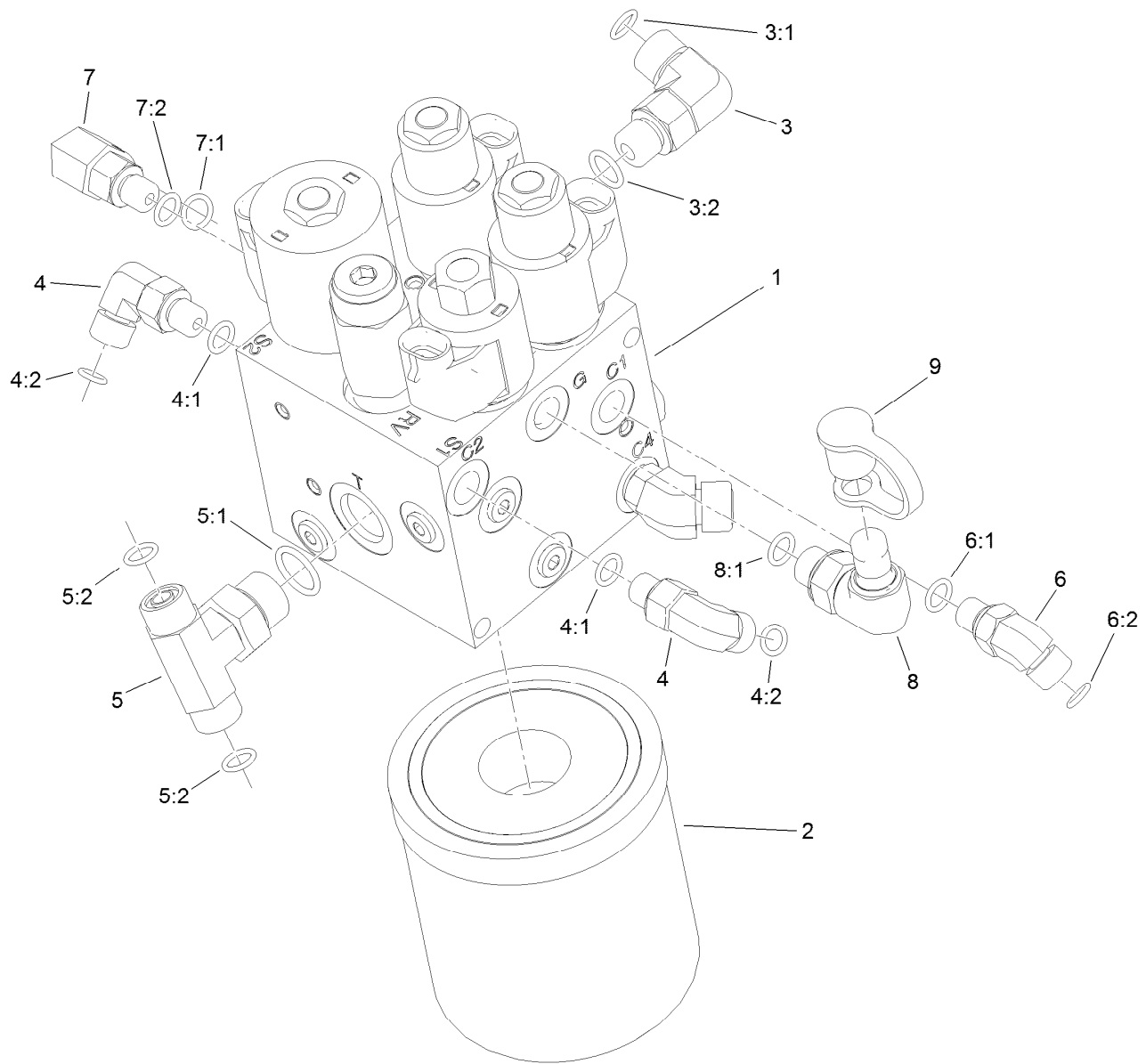
● Not serviced separately



## Hydraulic Cylinder Assembly No. 119-8129

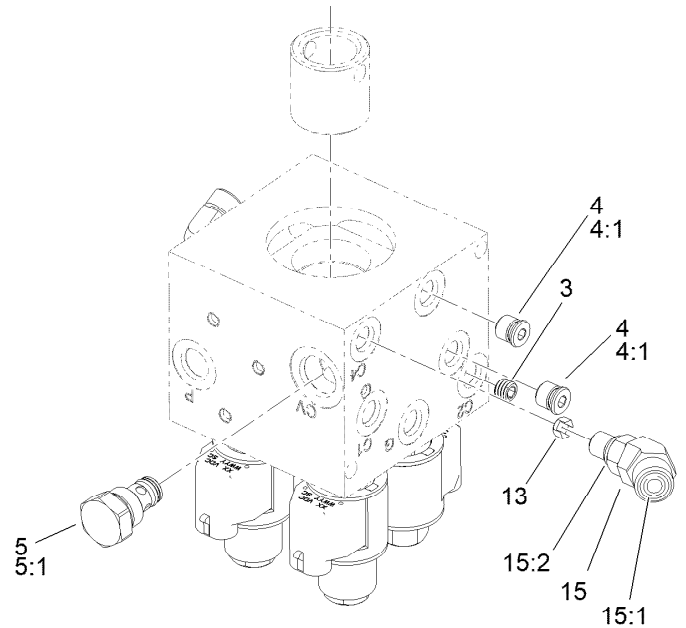
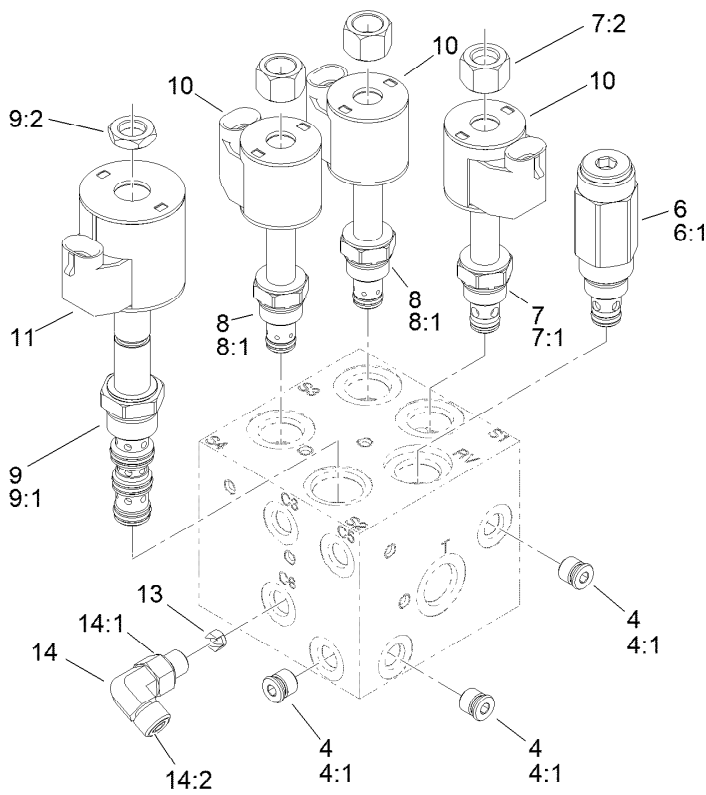
<i>Ref.</i>	<i>Part Number</i>	<i>Qty.</i>	<i>Description</i>
1	115-3410	1	Seal Kit
1:1		1	O-Ring ●
1:2		1	Backup ●
1:3		1	Bp Seal ●
1:4		1	Bs Seal ●
1:5		1	Seal-Dust ●
1:6		1	O-Ring ●
1:7		1	Ring-Wear ●

● Not serviced separately



## Hydraulic Lift Manifold Assembly

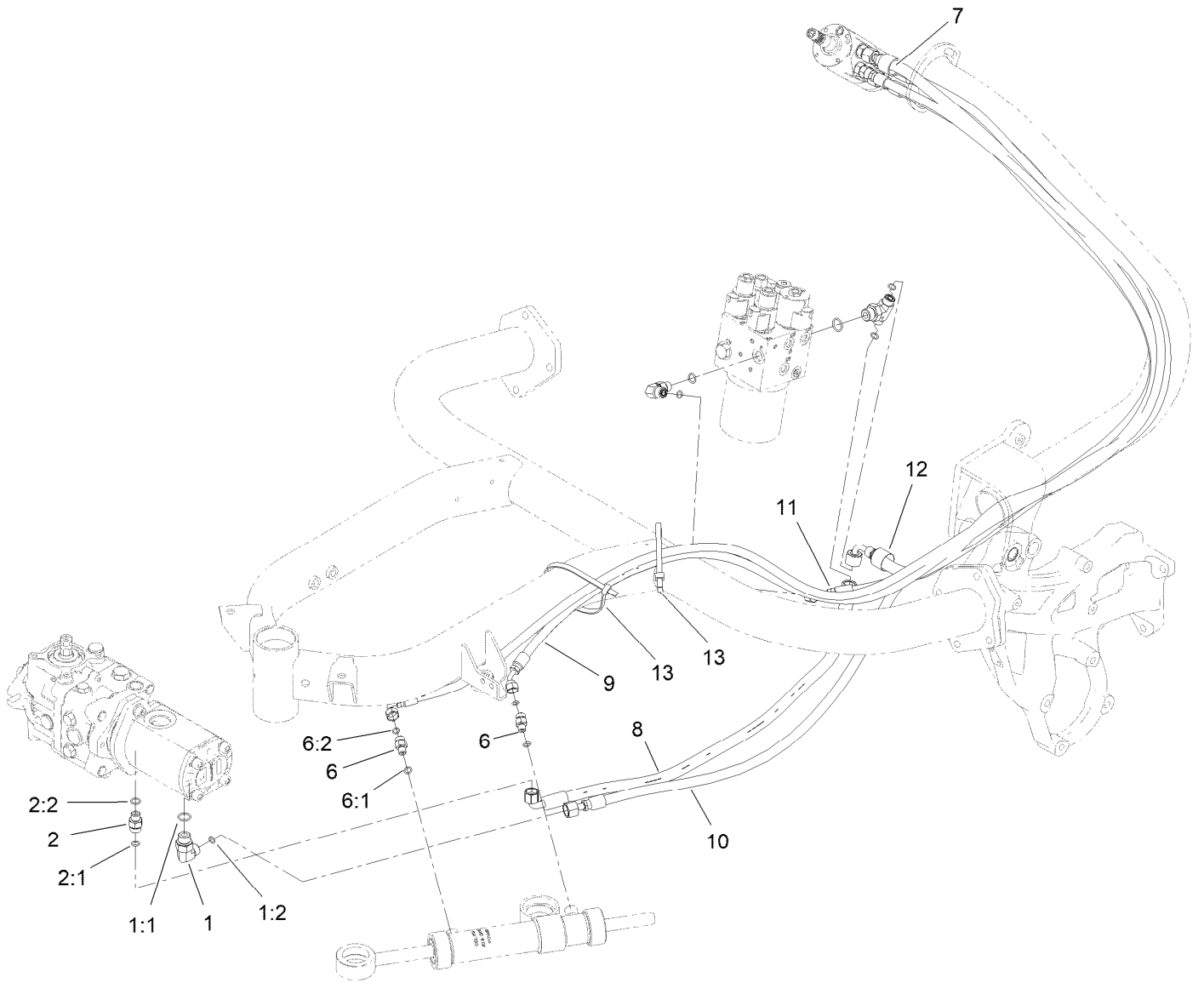
Ref.	Part Number	Qty.	Description	Ref.	Part Number	Qty.	Description
1	125-5187	1	Manifold-Lift, HYD	5:2	237-22	2	O-Ring
2	108-5194	1	Filter-Oil, HYD	6	340-103	1	Fitting-HYD, 45 DEG
3	340-77	1	Fitting-Elbow, 90 DEG	6:1	237-78	1	O-Ring
3:1	237-22	1	O-Ring	6:2	237-21	1	O-Ring
3:2	237-42	1	O-Ring	7	340-97	1	Fitting-Elbow, 90 DEG
4	340-132	2	Fitting-Elbow, 90 DEG	7:1	237-22	1	O-Ring
4:1	237-78	1	O-Ring	7:2	237-78	1	O-Ring
4:2	237-21	1	O-Ring	8	115-9147	1	Fitting-Elbow, 90 DEG
5	92-4799	1	Fitting-Tee	8:1	237-78	1	O-Ring
5:1	237-79	1	O-Ring	9	354-79	1	Cap-Dust



## Hydraulic Lift Manifold Assembly No. 125-5187

<i>Ref.</i>	<i>Part Number</i>	<i>Qty.</i>	<i>Description</i>
3	119-7144	1	Orifice (.037 Inch)
4	353-990	5	Plug ASM
4:1	237-78	1	O-Ring
5	107-7524	1	Check Valve ASM
5:1	105-9156	1	Seal Kit
6	112-9207	1	Valve-Relief
6:1	105-9156	1	Seal Kit
7	107-7517	1	Valve-Solenoid
7:1	105-9156	1	Seal Kit
7:2	107-7812	1	Nut-Solenoid
8	147-3090	2	Valve-Solenoid
8:1	107-7527	1	Seal Kit

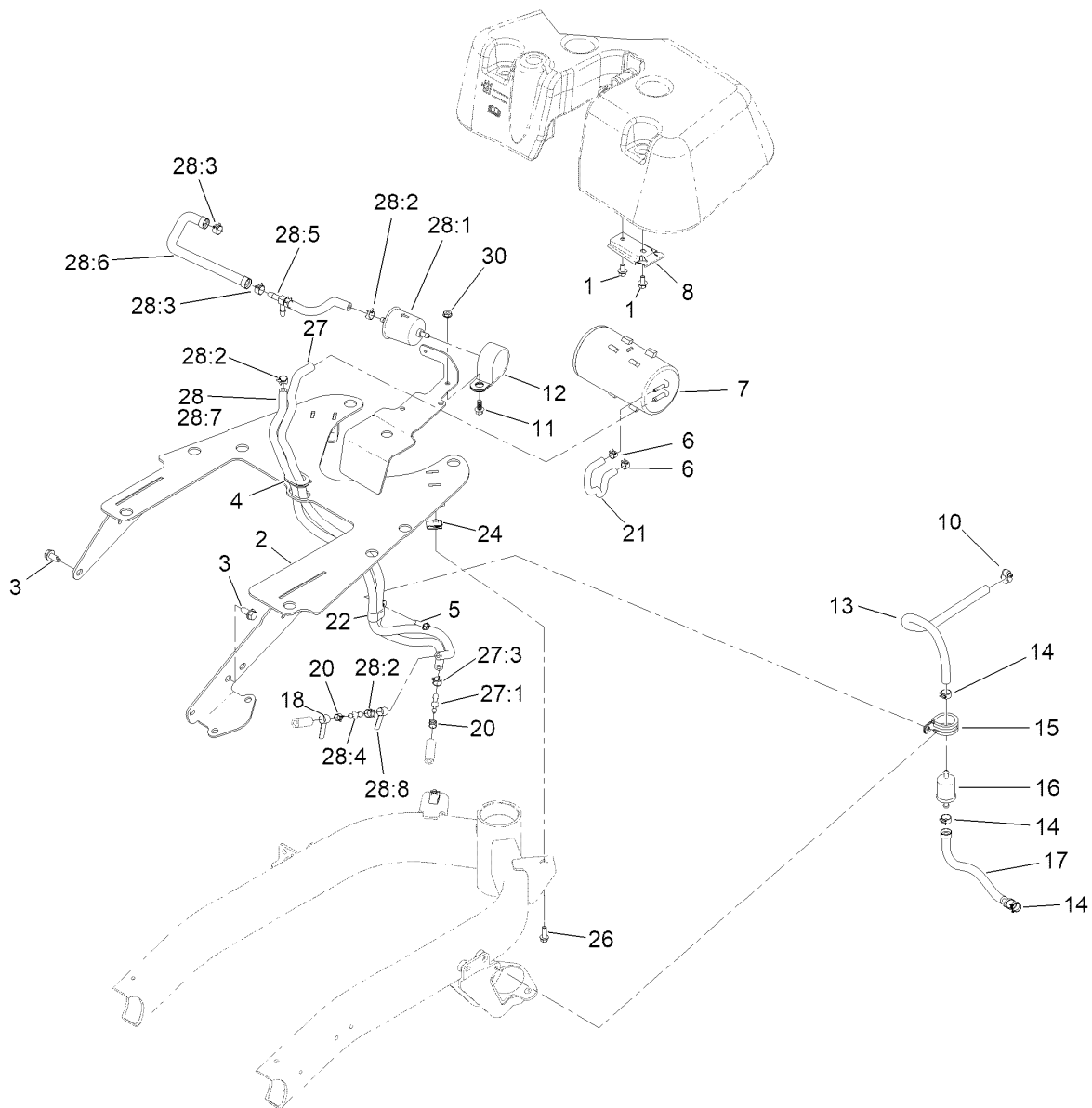
<i>Ref.</i>	<i>Part Number</i>	<i>Qty.</i>	<i>Description</i>
9	110-8906	1	Valve-Solenoid
9:1	110-8908	1	Spool Valve Seal Kit
9:2	110-2634	1	Nut-Coil
10	110-0497	3	Coil-Solenoid
11	110-6344	1	Coil-12V, DC
13	125-5211	2	Orifice-Control, Flow (0.030)
14	340-132	1	Fitting-Elbow, 90 DEG
14:1	237-78	1	O-Ring
14:2	237-21	1	O-Ring
15	340-54	1	Elbow-45 DEG
15:1	237-22	1	O-Ring
15:2	237-78	1	O-Ring



## Steering Circuit Assembly

Ref.	Part Number	Qty.	Description
1	340-18	1	Fitting-HYD, 90 DEG
1:1	237-79	1	O-Ring
1:2	237-22	1	O-Ring
2	340-2	1	Fitting-Straight
2:1	237-22	1	O-Ring
2:2	237-42	1	O-Ring
6	340-92	2	Fitting-Straight
6:1	237-78	1	O-Ring

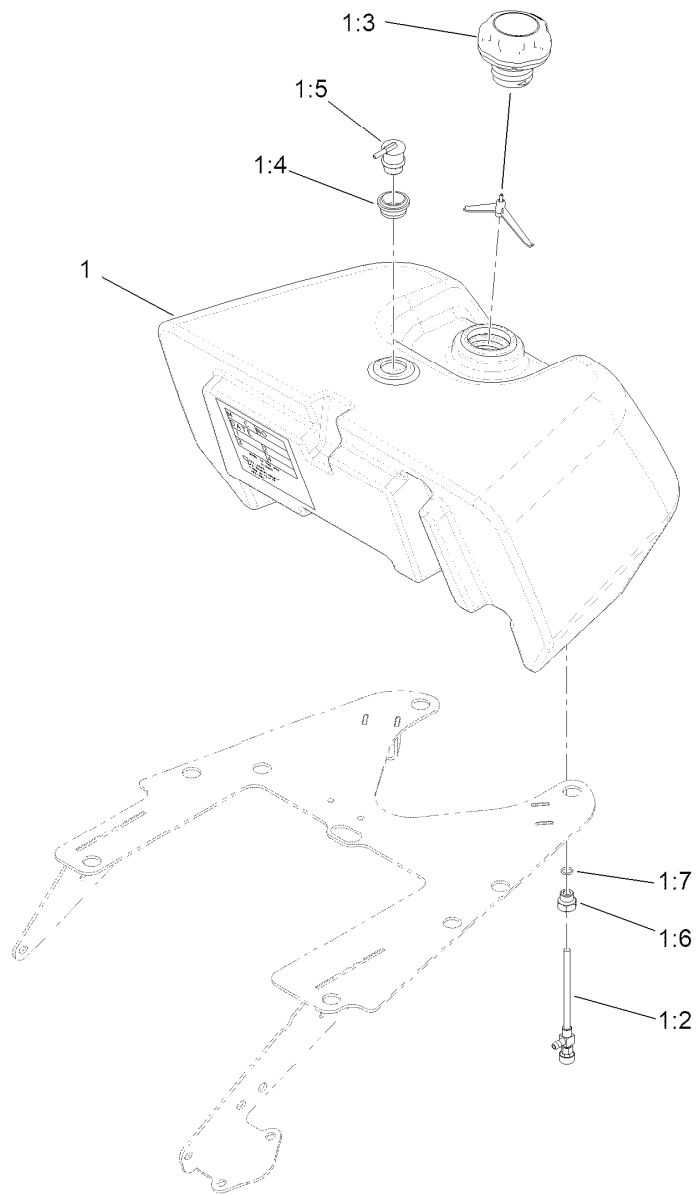
Ref.	Part Number	Qty.	Description
6:2	237-21	1	O-Ring
7	119-8124	1	Hose-HYD
8	140-5230	1	Hose ASM
9	119-8123	1	Hose-HYD
10	145-0056	1	HYD Hose ASM
11	117-3683	1	Hose-HYD
12	140-5270	1	Hose ASM, HYD
13	3334-945	2	Tie-Cable



## Fuel Line and Carbon Canister Hose Routing Assembly

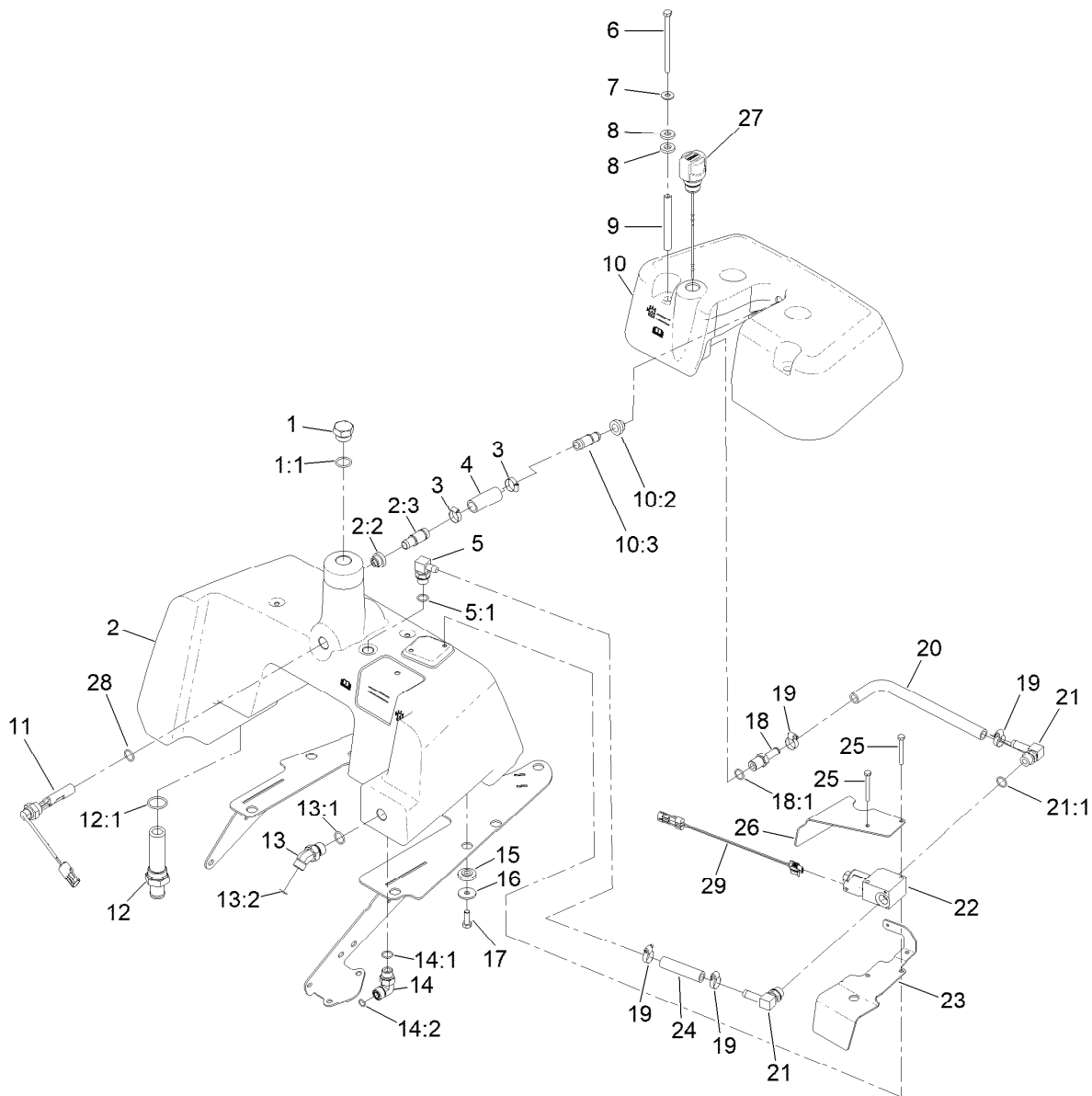
Ref.	Part Number	Qty.	Description	Ref.	Part Number	Qty.	Description
1	3234-13	2	Screw-HHF	21	119-8523	1	Hose-Fuel
2	132-9597-03	1	Plate Wa [black]	22	119-8153	1	Clamp-R, Double Tube
3	32104-32	2	Screw-HWH	24	107069	2	Clip
4	240-5	2	Grommet	26	115-5103	2	Screw-HHF
5	49-2040	1	Screw-HWHTF	27	121-5181	1	Purge Hose ASM
6	2412-146	2	Clamp-Hose	27:1	121-2573	1	Fitting-Straight
7	127-8685	1	Canister-Carbon	27:3	2412-98	2	Clamp-Hose
8	114-0292	1	Bracket-Canister, Carbon	28		1	Tee Hose ASM ●
10	2412-108	1	Clamp-Worm	28:1	121-2583	1	Filter-Fuel, Inline
11	99-6810	1	Screw-HHF	28:2	2412-98	3	Clamp-Hose
12	100-1424	1	Clamp-R	28:3	92-2379	2	Clamp-Hose
13	114-4428	1	Hose-Fuel	28:4	121-2573	1	Fitting-Straight
14	92-2379	3	Clamp-Hose	28:5	121-6663	1	Check Valve Hose ASM
15	120-2037	1	R-Clamp	28:6	139-6544	1	Hose-Formed
16	94-2690	1	Filter-Fuel	28:7	109-3491	1	Hose-Fuel
17	109-0293	1	Hose-Fuel	28:8	121-6664	1	Decal-Cleaner, Air
18	121-6664	1	Decal-Cleaner, Air	30	32149-2	1	Nut-Keps
20	2412-80	2	Clamp-Hose				

● Not serviced separately



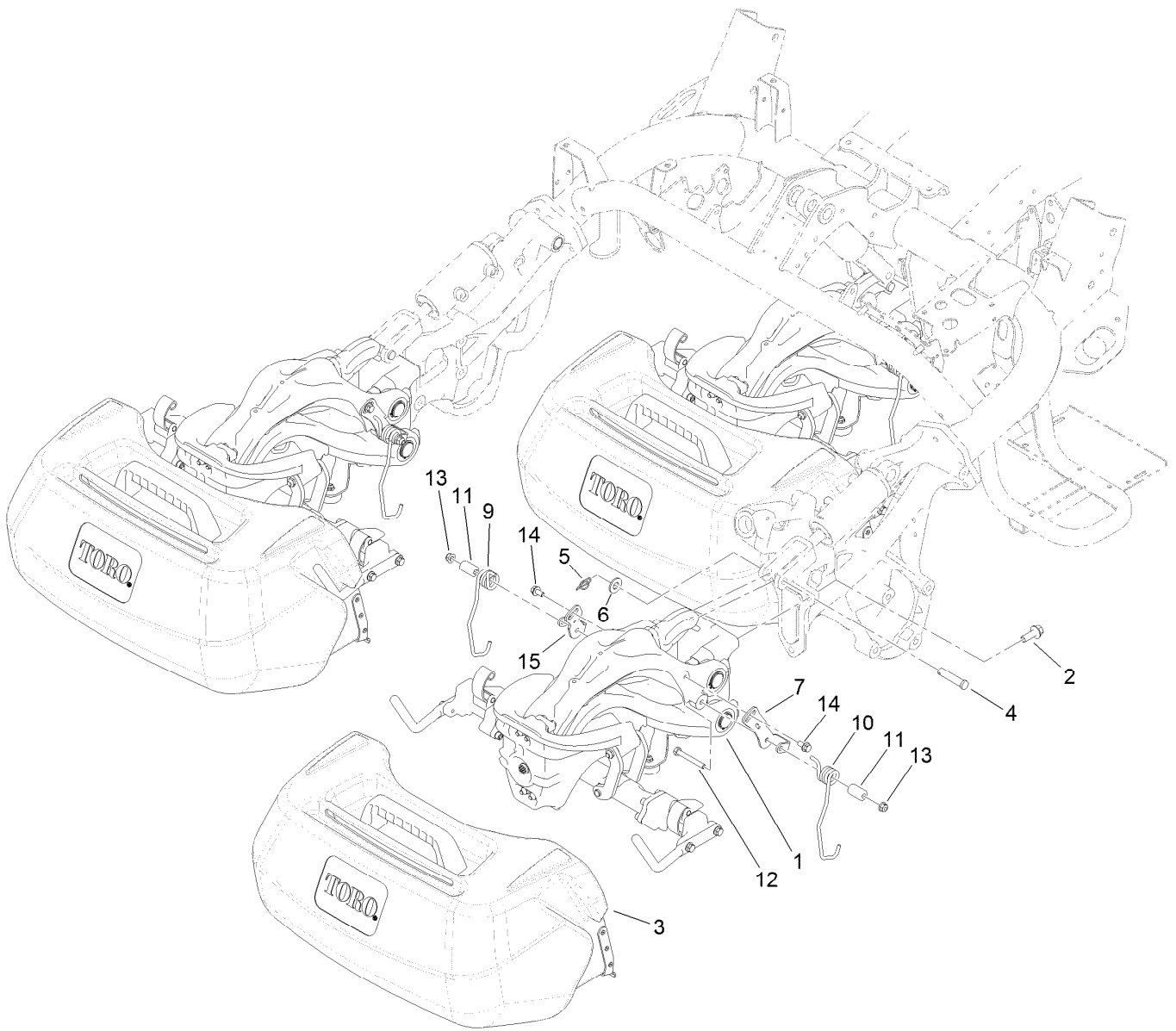
## Fuel Tank Assembly

<b>Ref.</b>	<b>Part Number</b>	<b>Qty.</b>	<b>Description</b>
1	161-4666	1	Fuel Tank ASM, Gas
1:2	114-4679	1	Fitting-Shut Off, Fuel
1:3	161-4679	1	Cap-Gas, No Vent
1:4	114-0284	1	Grommet
1:5	119-3547	1	Valve-Vent, Fuel
1:6	161-4703	1	Adapter
1:7	237-42	1	O-Ring



## Hydraulic Tank and Leak Detector Assembly

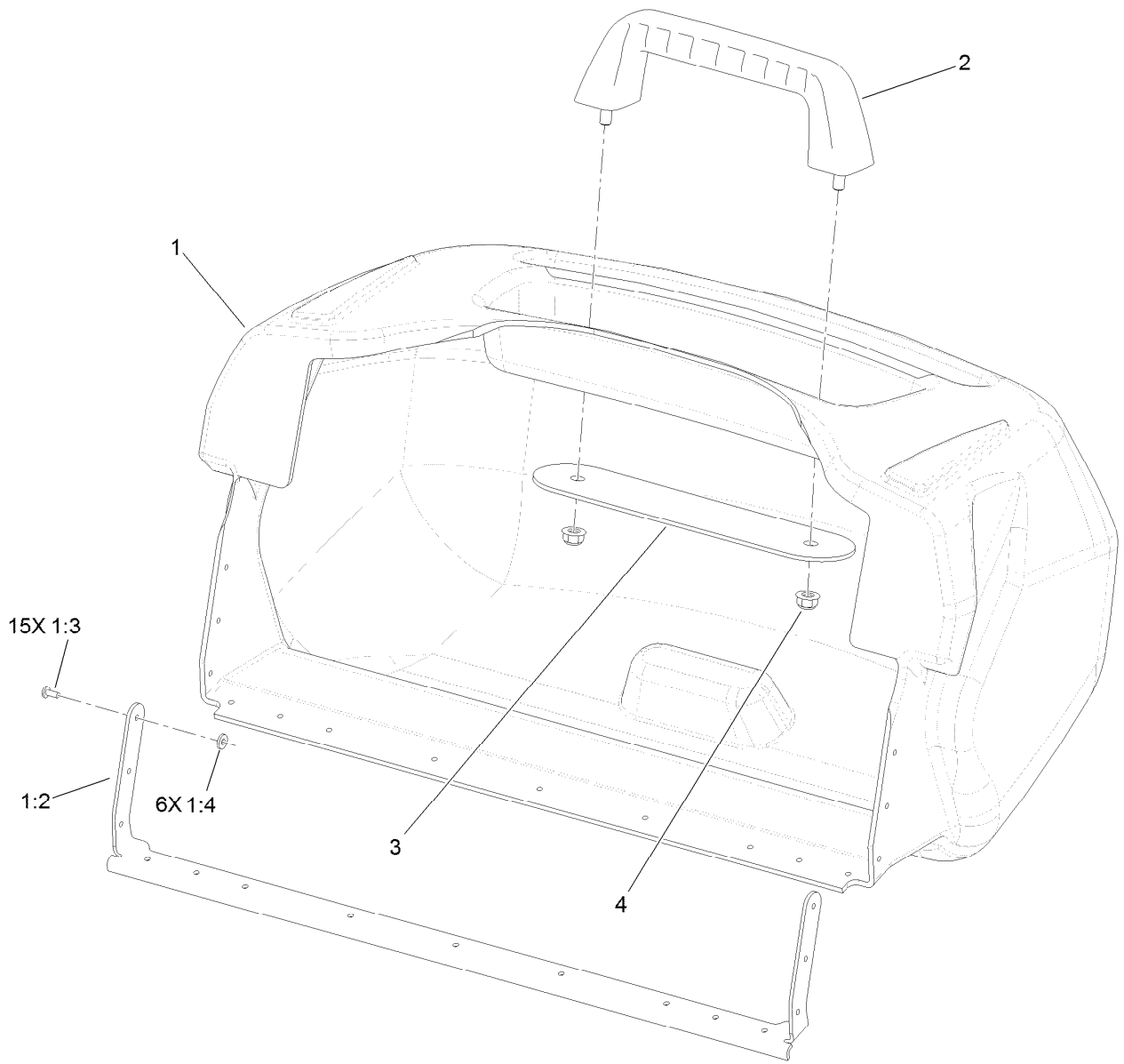
Ref.	Part Number	Qty.	Description	Ref.	Part Number	Qty.	Description
1	354-74	1	Plug-HH	13:2	237-80	1	O-Ring
1:1	237-81	1	O-Ring	14	340-98	1	Fitting-Elbow, 90 DEG
2	136-8529	1	HYD Tank ASM	14:1	237-79	1	O-Ring
2:2	136-8531	1	Grommet	14:2	237-30	1	O-Ring
2:3	136-8532	1	Spout	15	240-11	8	Bushing-Flange
3	2412-141	2	Clamp-Drive, Worm	16	63-8410	8	Washer
4	139-2716	1	Hose-Formed	17	323-6	8	Screw-HH
5	119-9331	1	Fitting-HYD 90 Spcl	18	354-121	1	Fitting-STR
5:1	237-79	1	O-Ring	18:1	237-79	1	O-Ring
6	322-29	4	Screw-HH	19	2412-36	4	Clamp-Hose
7	3256-71	4	Washer-Flat	20	140-5278	1	Hose-Formed
8	83-1470	8	Washer-Neoprene	21	354-120	2	Fitting-Elbow, 90
9	145-4580	4	Spacer-Tube	21:1	237-79	1	O-Ring
10	136-8535	1	Leak Detector Tank ASM	22	161-4678	1	Solenoid Valve ASM
10:2	136-8531	1	Grommet	23	121-5175-03	1	Cover-Level, Oil
10:3	136-8532	1	Spout	24	83-2080	1	Hose-Valve, Tank
11	83-1450	1	Sensor-Level, Oil	25	321-18	2	Screw-HH
12	112-0211	1	Strainer Fitting ASM	26	120-2027-03	1	Bracket-Shield
12:1	237-146	1	O-Ring	27	136-8559	1	Dipstick-Breather
13	340-89	1	Fitting-HYD, 45 DEG	28	237-80	1	O-Ring
13:1	237-30	1	O-Ring	29	122-3907	1	Harness-Wire, Jumper



## Suspension and Basket Assembly

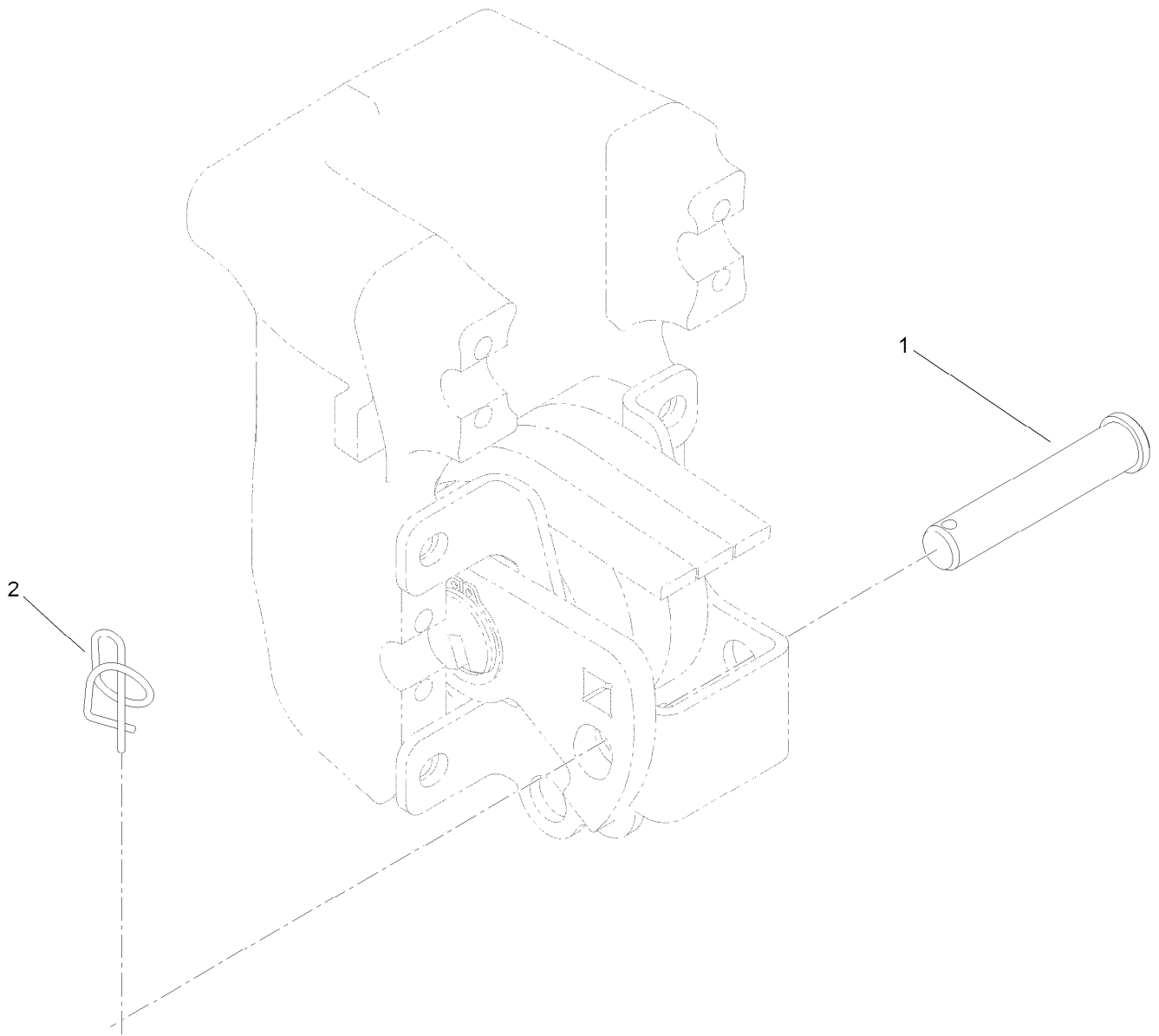
Ref.	Part Number	Qty.	Description
1		3	Suspension ASM ●
2	117-9035	9	Screw-HHF
3	132-9599	3	Basket ASM
4	92-2739	3	Pin-Clevis
5	112-1491	3	Pin-Cotter
6	29-8910	3	Washer
7	133-8998	3	Retainer-Spring, LH
9	117-6826	3	Spring-Stabilizer, RH
10	117-6827	3	Spring-Stabilizer, LH
11	117-6825	6	Spacer
12	322-12	6	Screw-HH
13	119-4041	6	Nut-HF
14	114-7728	6	Screw-HHF, Patch
15	133-8997	3	Retainer-Spring-RH

● Not serviced separately



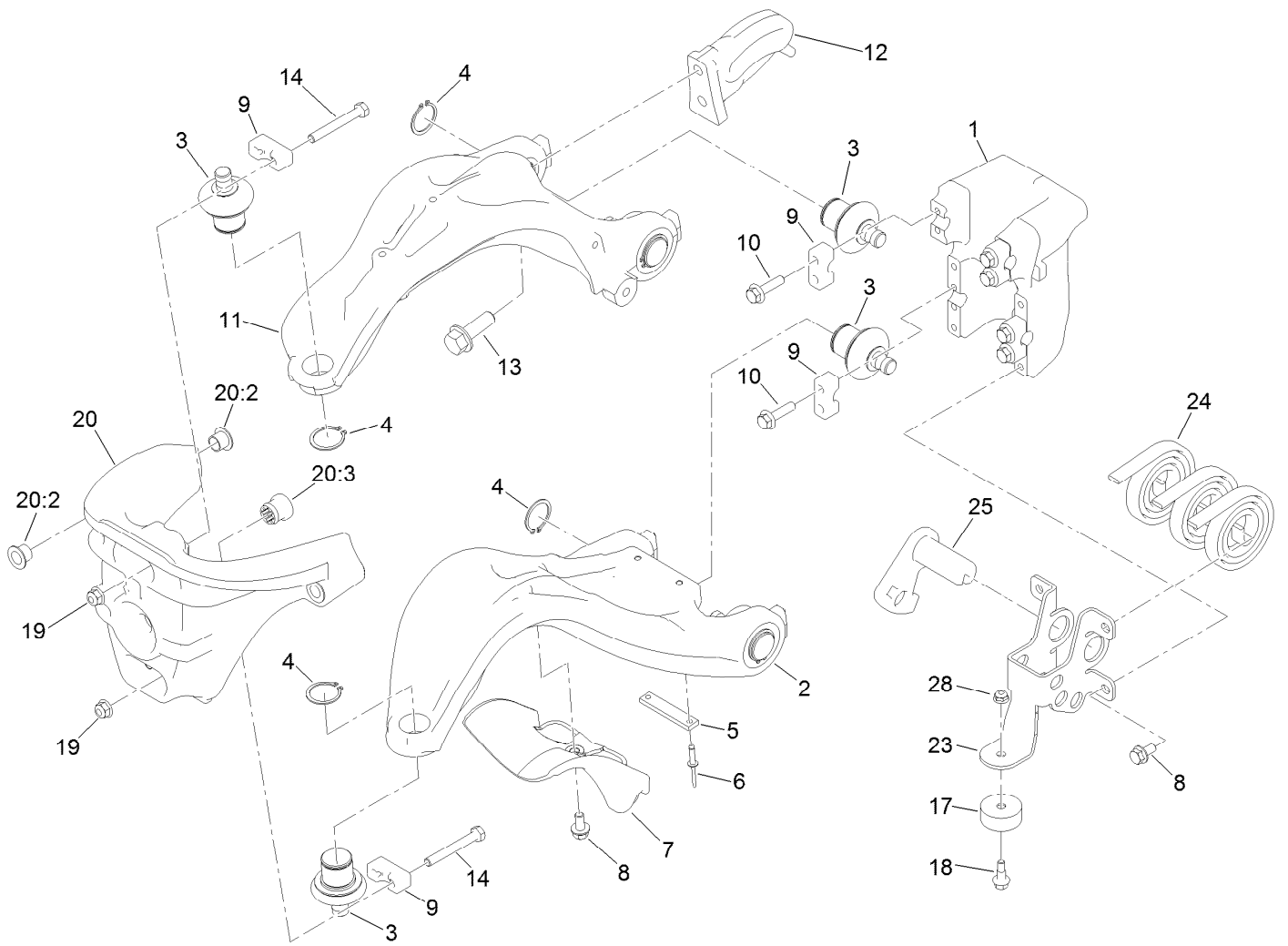
## Basket Assembly No. 132-9599

<i>Ref.</i>	<i>Part Number</i>	<i>Qty.</i>	<i>Description</i>
1	132-9510	1	Basket Assembly
1:2	132-3806	1	Support-Basket
1:3	3269-25	15	Rivet-Pop
1:4	3256-75	6	Washer-Flat
2	117-8088	1	Handle-Grab
3	117-8092-03	1	Plate-Mounting
4	119-4041	2	Nut-HF



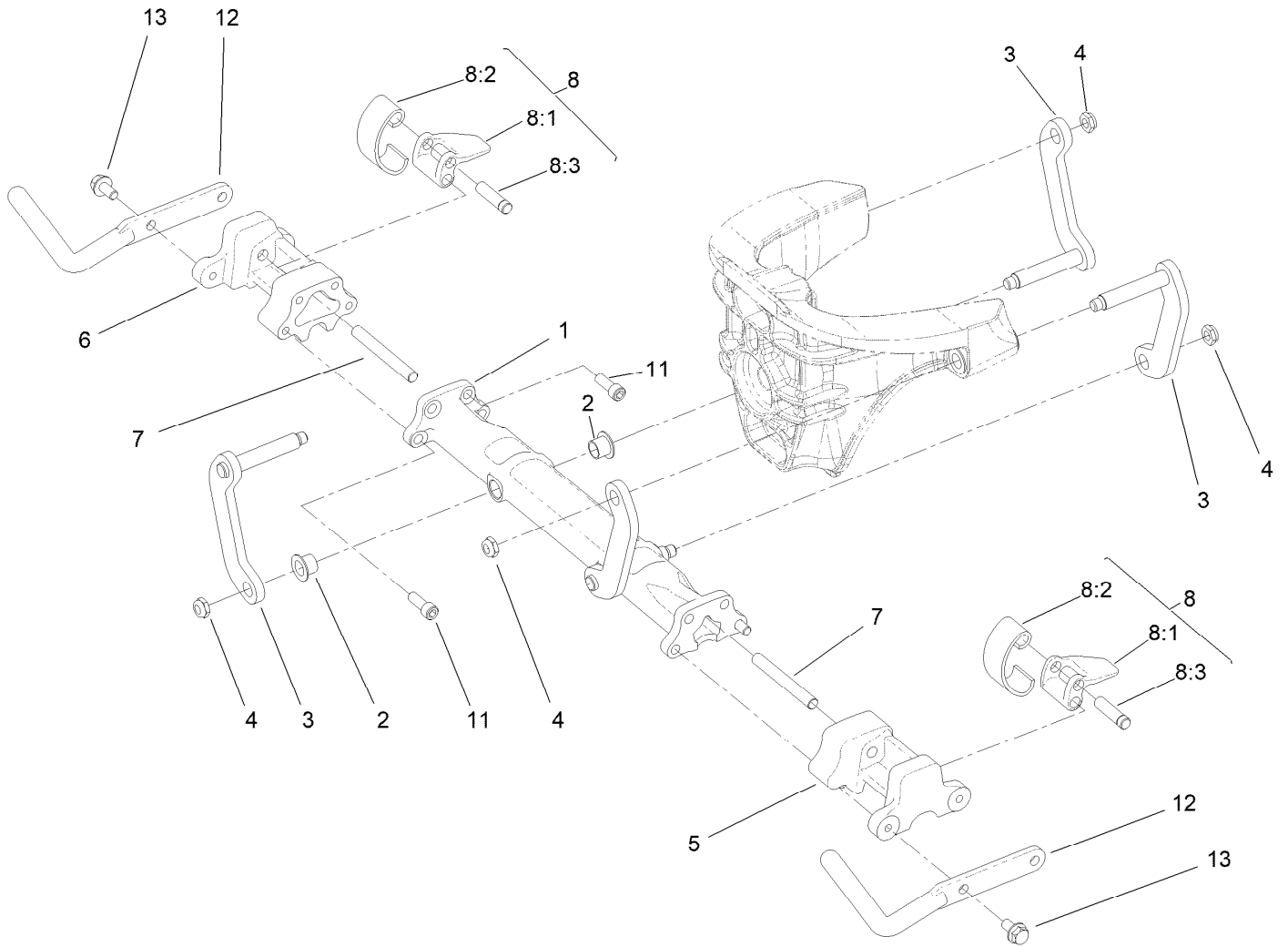
## Suspension Pin Position Assembly

<i>Ref.</i>	<i>Part Number</i>	<i>Qty.</i>	<i>Description</i>
1	100-6541	3	Pin-Clevis
2	112-1491	3	Pin-Cotter



## Suspension A-Arm Assembly

Ref.	Part Number	Qty.	Description	Ref.	Part Number	Qty.	Description
1	117-9480	1	Mount-Pivot, A-Arms	13	100-6116	2	Screw-HHF
2	117-6656	1	A-Arm, Lower	14	132-3838	4	Screw-HH
3	161-4732	6	Balljoint	17	133-0308	1	Bumper-Rubber
4	120-3225	6	Ring-Retaining, EXT	18	133-0315	1	Screw-Shoulder, HF
5	117-6674	1	Plate-Striker	19	161-4706	4	Nut-Flange,Nylock
6	3269-28	2	Rivet-Pop	20	120-3216	1	Steering Head ASM
7	117-6755	1	Stop-Steering	20:2	125-5239	4	Bushing-Flange
8	114-7728	5	Screw-HHF, Patch	20:3	131-1836	1	Grommet
9	112-5647	6	Clamp	23	140-5232	1	C-Balance Mount
10	132-3837	8	Screw-HHF	24	114-9306	3	Spring
11	139-6452	1	A-Arm, Upper	25	140-5234	1	Tensioner
12	163-8753	1	Plate-Lift	28	104-7201	1	Nut-HF, NI



## Suspension Crossarm Assembly

Ref.	Part Number	Qty.	Description
1	120-3217	1	Crossarm
2	125-5239	4	Bushing-Flange
3	117-6654	4	Link
4	3296-59	4	Nut-Lock, NI
5	117-9482	1	Mount-Cross Arm, LH
6	117-9492	1	Mount-Cross Arm, RH
7	114-8051	2	Pin-Pivot
8	161-4736	2	Clamp-Crossarm
8:1	114-8047	1	Lever
8:2	114-8048	1	Spring
8:3	114-8049	1	Pin-Pivot
11	120-3227	8	Screw-HSH
12	120-2784-01	2	Horn-Basket
13	114-7728	4	Screw-HHF, Patch

# Attachments and Accessories

## For 04510 — Greensmaster 3300 TriFlex Traction Unit

<b>Product Name</b>	<b>Model/Part</b>
Turf Evaluator .....	04399
Standard Greensmower Seat Kit .....	04508
Universal Greensmaster Triplex Light.....	04555
8-Blade DPA Reel Mower .....	04651
11-Blade DPA Reel Mower .....	04653
14-Blade DPA Reel Mower .....	04655
8-Blade TRIFLEX FWY Cutting Unit .....	04657
11 Blade Triflex FWY Cutting Unit.....	04658
Three-Wheel Drive Kit .....	04714
Anti-Bobbing Kit.....	04716
Dethatching Unit .....	04720
Tri-Roller .....	04722
Spiker .....	04723
Premium Seat.....	04729
Spark Arrestor Screen .....	104-6540
Paint-Black Bottle .....	112-0176
Paint-Red Bottle .....	112-0178
Wireless Hourmeter .....	115-4754
Oil Cooler Kit.....	119-1691
Premium Armrest Kit.....	119-7105
Weight Kit .....	119-7129
Three-Wheel Drive Weight Kit .....	120-5750
Armrest Kit.....	121-3660
Premium Engine Oil 10w30 (55 Gallon Drum) .....	121-6392
Premium Engine Oil 10w30 (5 Gallon Pail) .....	121-6393
Hi-Back Seat Cover .....	133-1308
PX Hydraulic Fluid (5 Gal) .....	133-8086
PX Hydraulic Fluid (55 Gal).....	133-8087
Bag Kit.....	137-8130
Bimini Shade Kit .....	138-8579
Toro Premium Synthetic, Biodegradable Transmission/Hydraulic Fluid (5 Gallon Pail).....	138-9482
TriFlex Hydraulic Hose Rebuild MVP Kit.....	140-5233
Tire - 20 X 10.00-8, 4ply.....	144-3665
Kit-Sunshade .....	161-4704
Toro Red 12oz Aerosol Can .....	361-10
Semi-Gloss Black Spray Paint .....	361-9
MVP Kit 1000 Hour - GR3300/3320 .....	44969
Height-of-Cut Bar.....	94-9010

**Notes:**

**Notes:**



**Count on it.**