



Count on it.

Parts Catalog

ProCore® 648s

Aerator

Model No. 09960C—Serial No. 40000000 and Up



Ordering Replacement Parts

To order replacement parts, please supply the part number, the quantity, and the description of each part desired.

Understanding Reference Numbers

Each identified part in an illustration has a reference number. The reference number for a part also appears in the parts list, along with other information about the part.

This catalog uses two special reference number formats, one to indicate parts in a service assembly and another to indicate the quantity of a given part in an illustration.

Service Assembly Reference Numbers

Parts in service assemblies have reference numbers in the form a:b. The a represents the reference number of the entire service assembly and the b represents a sequential number unique to each part within the service assembly.

For example, a wheel assembly might be identified by reference number 6, the tire by 6:1, the valve by 6:2, and the wheel by 6:3. When you order the assembly identified by reference number 6, you receive all parts identified by reference numbers 6:1, 6:2, and 6:3. However, you may also order any part individually. Reference numbers of this type appear in illustration and in parts lists.

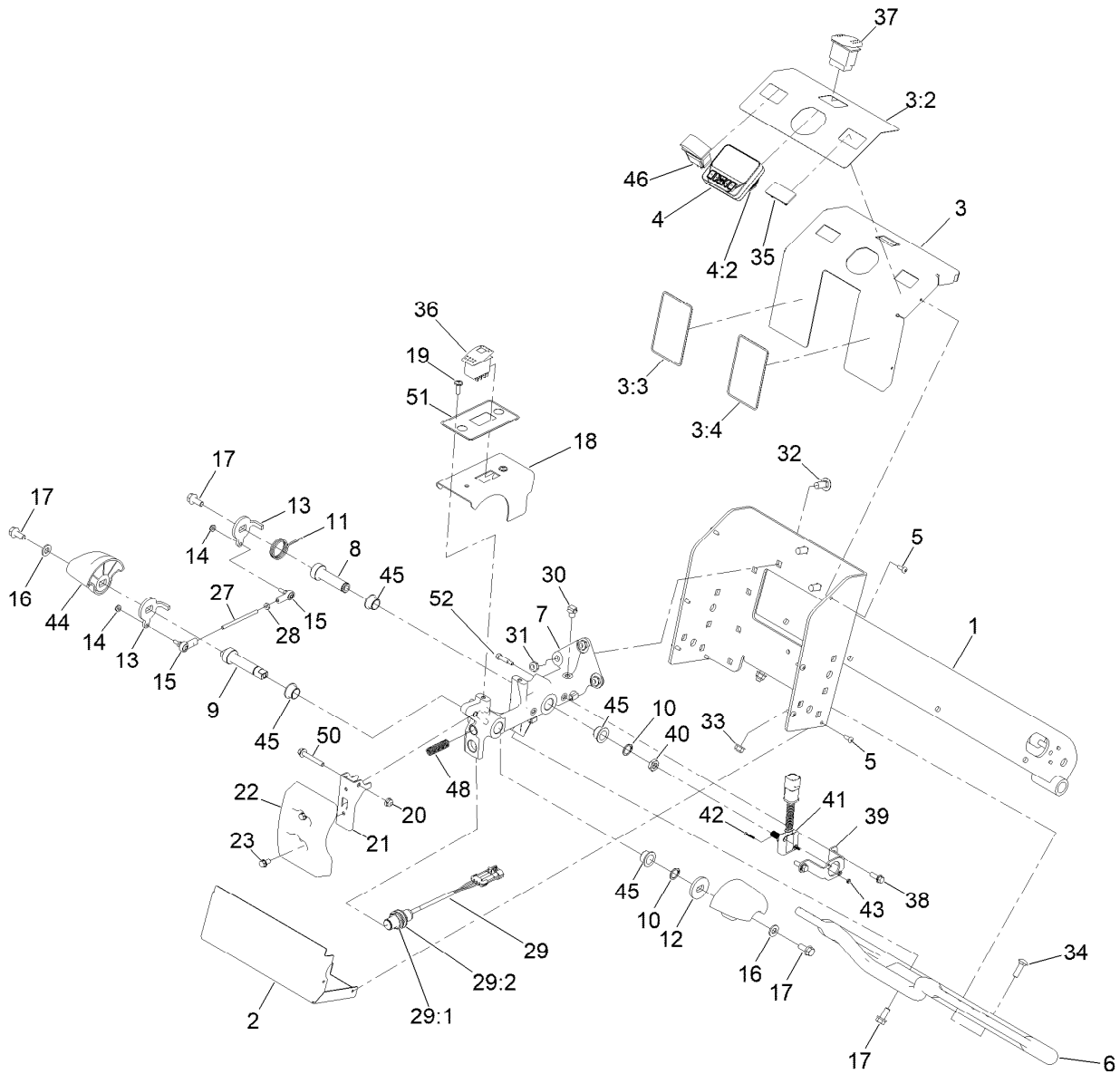
Reference Numbers Indicating Quantity

In an illustration, if a reference number indicates more than one part, the reference number has the form nX y. The n represents the quantity of the part, the X is the multiplication symbol, and the y represents the reference number.

For example, in an illustration, the reference number 2X 37 means that two of the parts identified by reference number 37 are indicated.

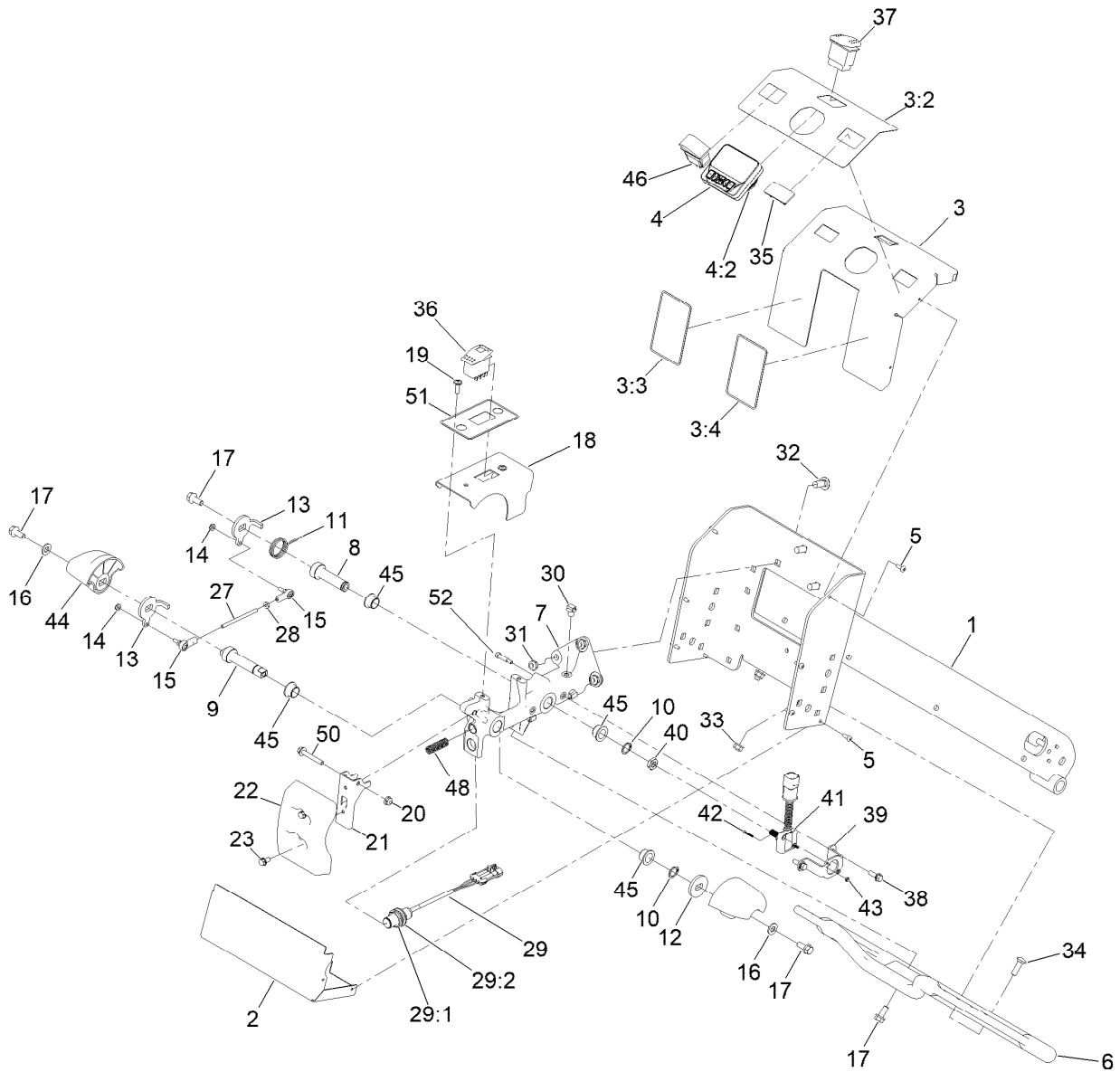
Contents

| | |
|---|----|
| Control Assembly | 4 |
| Sensor Mounting Assembly | 6 |
| Column Pivot Assembly | 7 |
| Steering Spindle and Arm Assembly | 8 |
| Front Drive Assembly | 9 |
| (CCW) Hydraulic Motor Assembly No. 106-8808 | 10 |
| Rear Hydraulic Drive Assembly | 11 |
| (CCW) Hydraulic Motor Assembly No. 106-8806 | 12 |
| (CW) Hydraulic Motor Assembly No. 106-8807 | 13 |
| Parking Brake Assembly | 14 |
| Lift Linkage Assembly | 15 |
| Hydraulic Assembly | 16 |
| Hydrostat Assembly No. 140-8564 | 18 |
| Gear Pump Assembly No. 140-8836 | 19 |
| Manifold Assembly No. 140-8614 | 20 |
| Hydraulic Hose and Tube Assembly | 21 |
| Fuel System Assembly | 22 |
| Engine and Muffler Assembly | 23 |
| Idler, Pulley and Belt Assembly | 24 |
| Clutch Assembly | 25 |
| Hood Assembly | 26 |
| Electrical Assembly | 27 |
| Wire Harness Assembly No. 122-3753 | 29 |
| Rear Frame and Hood Assembly | 30 |
| Belt Shield Assembly | 31 |
| Hydraulic Cylinder Assembly No. 140-2205 | 32 |
| Turf Guard Mount Assembly | 33 |
| RH Crankarm Assembly | 34 |
| Center Crankarm Assembly | 35 |
| LH Crankarm Assembly | 36 |
| Damper Link Assembly | 37 |
| Attachments and Accessories | 38 |



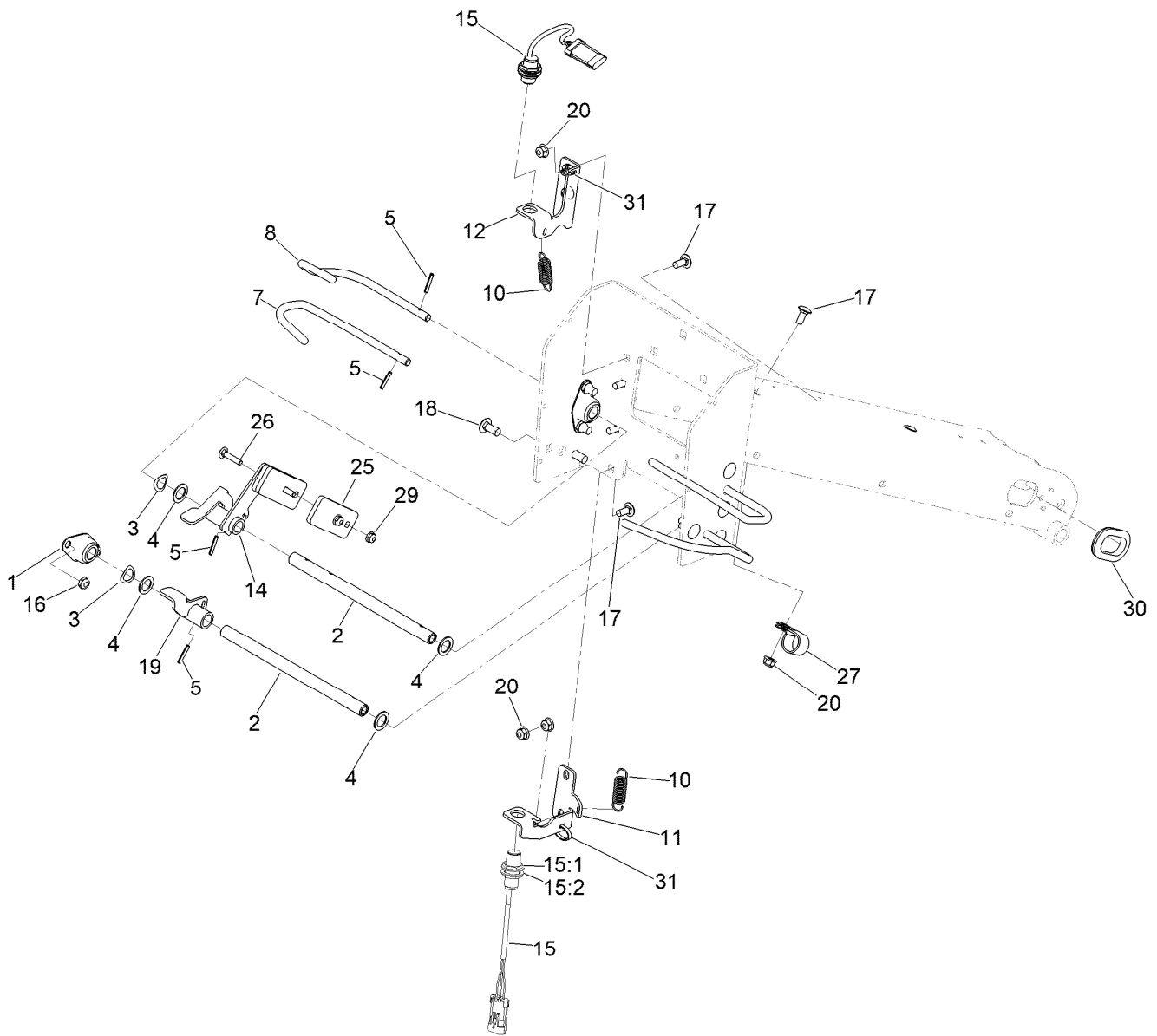
Control Assembly

| Ref. | Part Number | Qty. | Description | Ref. | Part Number | Qty. | Description |
|------|-------------|------|--------------------------|------|-------------|------|------------------------------|
| 1 | 140-8589-01 | 1 | Control Handle ASM [red] | 18 | 140-8631-03 | 1 | Panel-Control |
| 2 | 144-9821-03 | 1 | Cover-Controls, Lower | 19 | 92-3911 | 2 | Screw-Hsbfh |
| 3 | 144-9840 | 1 | Dash Panel Assembly | 20 | 104-7201 | 1 | Nut-HF, NI |
| 3:2 | 140-8810 | 1 | Decal-Controls | 21 | 140-8629 | 1 | Paddle-Switch |
| 3:3 | 140-8811 | 1 | Decal-Controls | 22 | 140-8632 | 1 | Cover-Switch, Stop |
| 3:4 | 140-8812 | 1 | Decal-Controls | 23 | 137-4795 | 2 | Screw |
| 4 | 161-1700 | 1 | Display-LCD | 27 | 140-8764 | 1 | Rod-Threaded |
| 4:2 | 161-1723 | 1 | Nut-Display | 28 | 3219-14 | 1 | Nut-Hex |
| 5 | 105-6849 | 8 | Screw-Forming, Thread | 29 | 115-0282 | 1 | Sensor, Proximity Sensor ASM |
| 6 | 140-8929 | 1 | Handle | 29:1 | 117-3207 | 2 | Nut-Hex |
| 7 | 140-8936 | 1 | Hub-Controls | 29:2 | 117-3208 | 2 | Washer-Lock, Internal Tooth |
| 8 | 140-8590 | 1 | Shaft-Sensor | 30 | 32180-030 | 3 | Clip-Tie |
| 9 | 140-8625 | 1 | Shaft-Sensor | 31 | 3296-59 | 3 | Nut-Lock, NI |
| 10 | 32151-62 | 2 | Ring-Retaining | 32 | 3231-27 | 3 | Screw-CARR |
| 11 | 139-8662 | 1 | Spring-Torsion | 33 | 104-8300 | 2 | Nut-HF, NI |
| 12 | 140-8941 | 1 | Plate-Sensor | 34 | 3230-22 | 2 | Screw-CARR |
| 13 | 140-8594 | 2 | Plate-Sensor | 35 | 99-7420 | 1 | Plug-Hole |
| 14 | 3296-27 | 2 | Nut-Lock, NI | 36 | 100-8490 | 1 | Switch-Rocker, On-None-On |
| 15 | 117-9720 | 2 | Ball Joint | | | | |
| 16 | 3256-38 | 2 | Washer-Flat | | | | |
| 17 | 100-1668 | 4 | Screw-HHF | | | | |



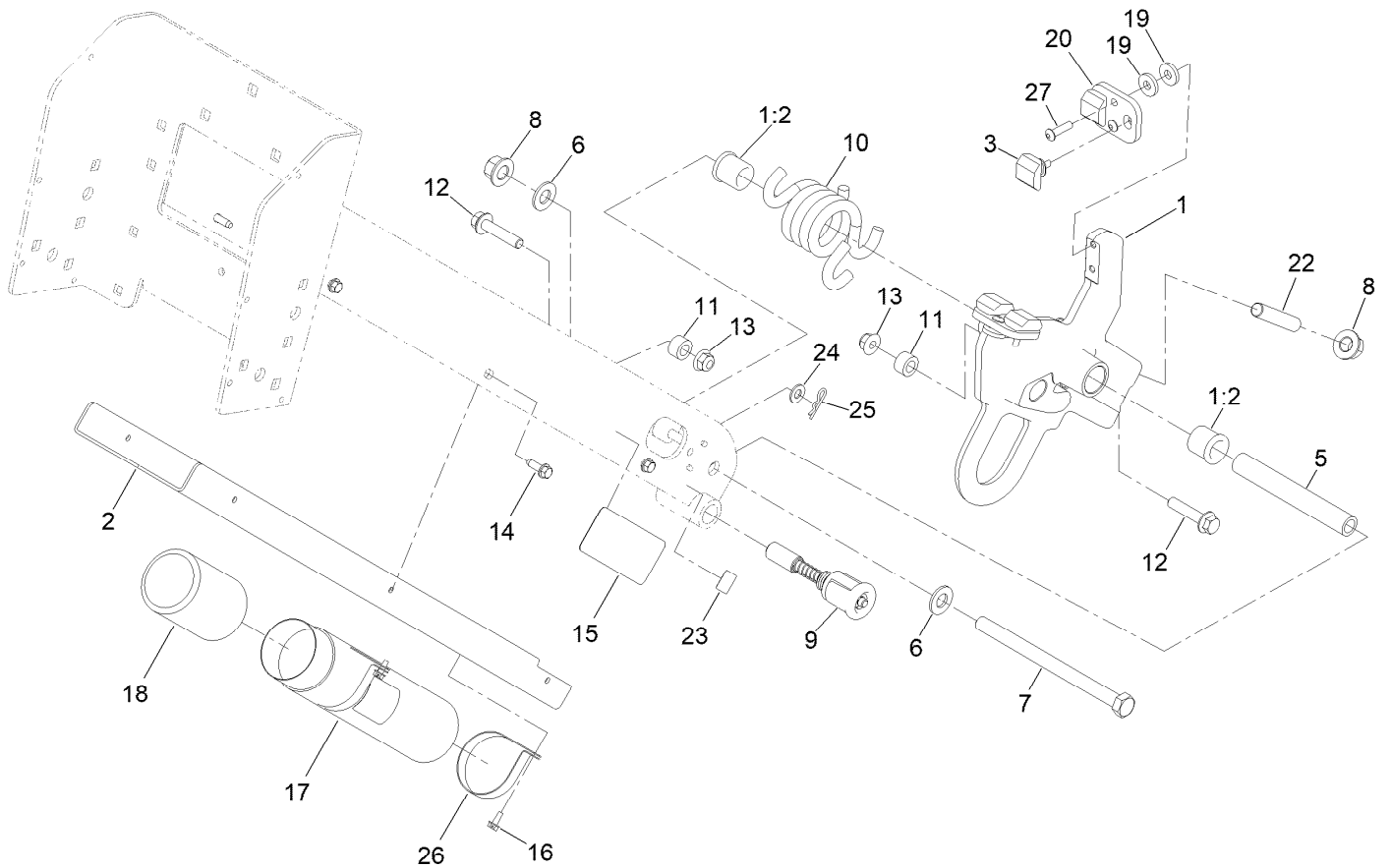
Control Assembly (continued)

| Ref. | Part Number | Qty. | Description | Ref. | Part Number | Qty. | Description |
|------|-------------|------|---------------------------|------|-------------|------|--------------------|
| 37 | 95-8999 | 1 | Switch-Rocker, On-None-On | 44 | 140-8949 | 2 | Knob-Rotary |
| 38 | 117-8304 | 2 | Screw-HHF, Patch | 45 | 108-2973 | 4 | Bushing-Flange |
| 39 | 140-8776 | 1 | Brkt-Sensor | 46 | 119-8355 | 1 | Switch-Rocker |
| 40 | 112-8617 | 1 | Nut-Hex | 48 | 136-7136 | 1 | Spring-Compression |
| 41 | 138-6252 | 1 | Sensor-Rotary | 50 | 32105-18 | 1 | Screw-HHF |
| 42 | 140-8959 | 2 | Screw-Fht | 51 | 140-8813 | 1 | Decal-Controls |
| 43 | 3296-52 | 2 | Nut-Lock, NI | 52 | 130-9374 | 1 | Screw-Shoulder |



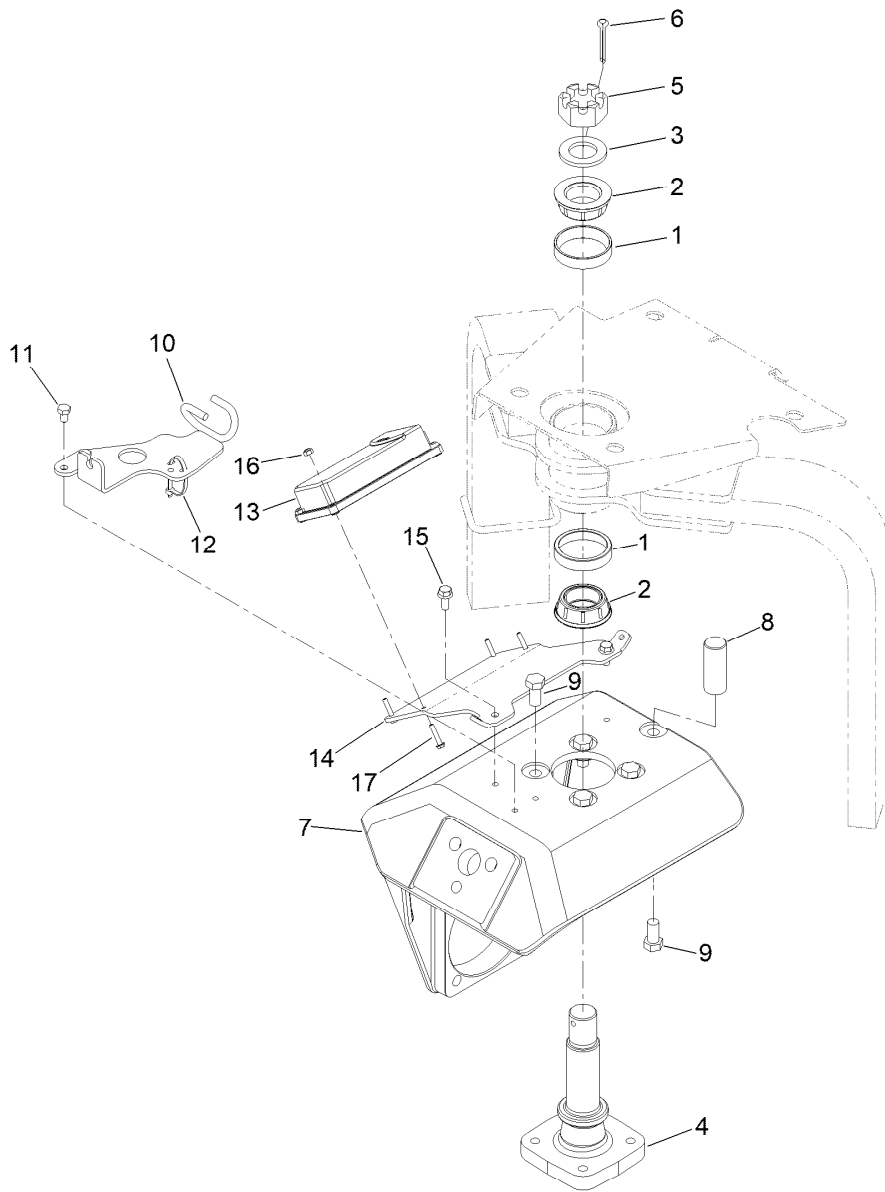
Sensor Mounting Assembly

| <i>Ref.</i> | <i>Part Number</i> | <i>Qty.</i> | <i>Description</i> | <i>Ref.</i> | <i>Part Number</i> | <i>Qty.</i> | <i>Description</i> |
|-------------|--------------------|-------------|---------------------------------|-------------|--------------------|-------------|-----------------------------|
| 1 | 256-236 | 4 | Bearing-Mount, Flange | 15:1 | 117-3207 | 2 | Nut-Hex |
| 2 | 140-8639 | 2 | Tube-Bail | 15:2 | 117-3208 | 2 | Washer-Lock, Internal Tooth |
| 3 | 108-2100 | 2 | Washer-Spring, Curved | 16 | 3296-59 | 8 | Nut-Lock, NI |
| 4 | 3256-69 | 4 | Washer-Flat | 17 | 3230-23 | 6 | Bolt-CARR |
| 5 | 32121-45 | 6 | Pin-Spring | 18 | 3231-27 | 8 | Screw-CARR |
| 7 | 144-9842 | 2 | Bail-Aerator, 1 | 19 | 140-8920 | 1 | Flag ASM |
| 8 | 144-9844 | 2 | Bail-Aerator, 2 | 20 | 104-8300 | 6 | Nut-HF, NI |
| 10 | 136-7153 | 2 | Spring-Extension | 25 | 140-8933 | 3 | Plate-Weight |
| 11 | 144-9822 | 1 | Brkt-Sensor, Lower | 26 | 3229-3 | 2 | Screw-CARR |
| 12 | 144-9823 | 1 | Brkt-Sensor, Upper | 27 | 2412-39 | 2 | Clamp-R |
| 14 | 140-8930 | 1 | Flag ASM | 29 | 104-7201 | 2 | Nut-HF, NI |
| 15 | 115-0282 | 2 | Sensor, Proximity Sensor ASM | 30 | 240-2 | 1 | Grommet-Rubber |
| | | | | 31 | 3290-378 | 2 | Tie-Cable |



Column Pivot Assembly

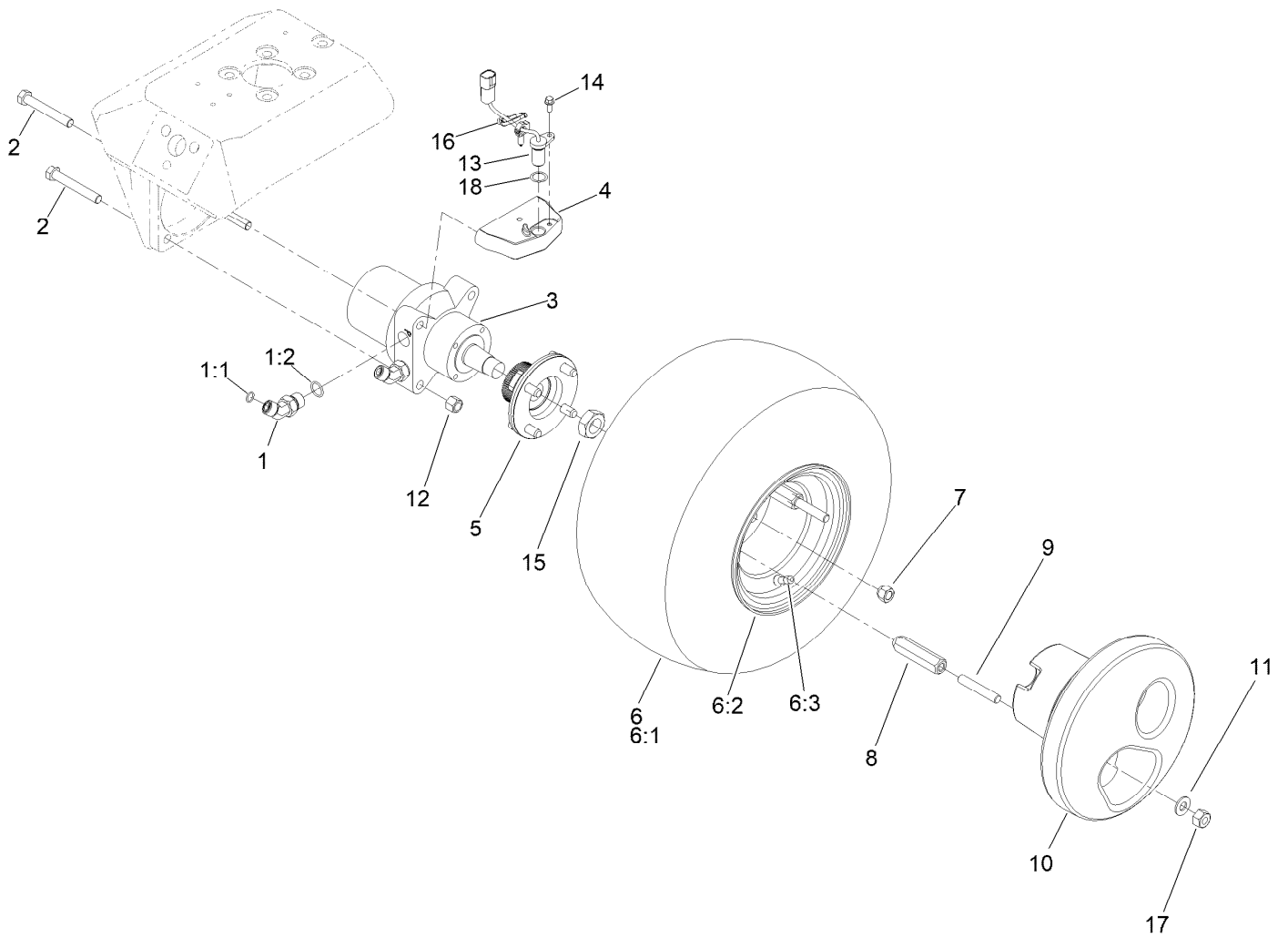
| <i>Ref.</i> | <i>Part Number</i> | <i>Qty.</i> | <i>Description</i> | <i>Ref.</i> | <i>Part Number</i> | <i>Qty.</i> | <i>Description</i> |
|-------------|--------------------|-------------|---------------------|-------------|--------------------|-------------|------------------------|
| 1 | 144-9845 | 1 | Column Pivot ASM | 14 | 32144-44 | 6 | Screw-HWH, Thread Roll |
| 1:2 | 117-0826 | 2 | Bushing-Flange | 15 | 140-8963 | 1 | Decal-Parking Brake |
| 2 | 140-8751-03 | 1 | Cover-Handle, Lower | 16 | 32104-60 | 2 | Screw-HWH |
| 3 | 126-9966 | 4 | Bumper-ROPS | 17 | 104-7050 | 1 | Tube-Manual |
| 5 | 140-8549 | 1 | Tube-Pivot | 18 | 104-7048 | 1 | Cap-Housing |
| 6 | 3256-26 | 2 | Washer-Flat | 19 | 88-7200 | 8 | Washer-Flat |
| 7 | 325-37 | 1 | Screw-HH | 20 | 140-8955 | 2 | Plate-Stop |
| 8 | 99-5107 | 4 | Nut-HF Nylock | 22 | 144-9825 | 3 | Stud |
| 9 | 116-0104 | 1 | Pin-Spring | 23 | 93-9084 | 1 | Decal-Point, Lift |
| 10 | 140-8768 | 1 | Spring-Torsion | 24 | 3256-23 | 1 | Washer-Plain |
| 11 | 140-8770 | 2 | Spacer | 25 | 3290-307 | 1 | Pin-Cotter |
| 12 | 3234-19 | 2 | Screw-HHF | 26 | 2412-120 | 2 | Clamp-R |
| 13 | 104-8301 | 2 | Nut-HF, NI | 27 | 3274-65 | 4 | Screw-HSBH |



Steering Spindle and Arm Assembly

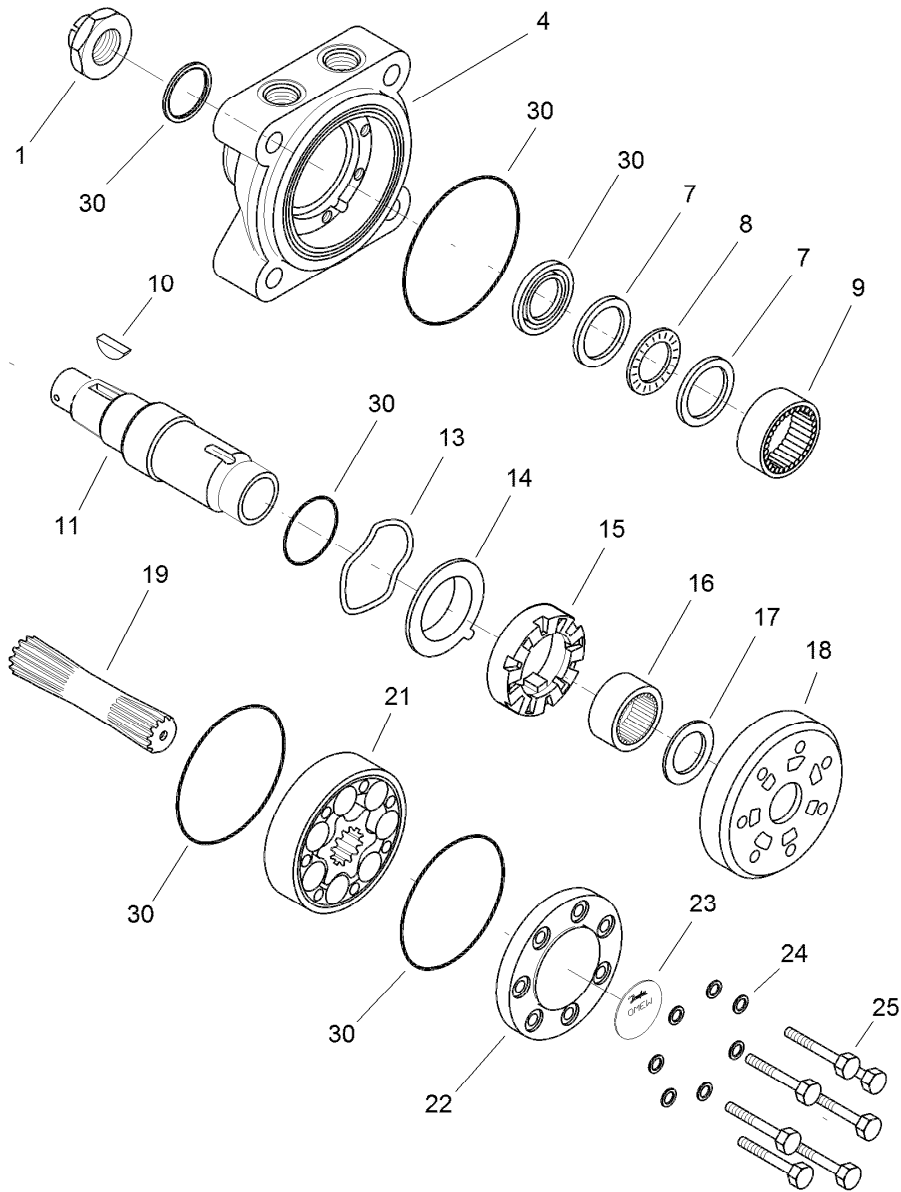
| Ref. | Part Number | Qty. | Description |
|------|-------------|------|------------------------|
| 1 | 107-7590 | 2 | Cup-Bearing |
| 2 | 107-7589 | 2 | Cone-Bearing (W/ Seal) |
| 3 | 107-7597 | 1 | Washer-Plain |
| 4 | 107-7595-0P | 1 | Spindle-Steer |
| 5 | 32136-9 | 1 | Nut-Hex, Slotted |
| 6 | 3272-37 | 1 | Pin-Cotter |
| 7 | 161-9192-01 | 1 | Arm-Steering |
| 8 | 106-8939 | 1 | Stop-Steering |
| 9 | 325-4 | 5 | Screw-HH |

| Ref. | Part Number | Qty. | Description |
|------|-------------|------|--------------------|
| 10 | 139-8664 | 1 | Guide ASM |
| 11 | 322-1 | 2 | Screw-HH |
| 12 | 3290-378 | 2 | Tie-Cable |
| 13 | 161-9001 | 1 | Gateway-Telematics |
| 14 | 144-9820-01 | 1 | Brkt-Module |
| 15 | 100-1668 | 2 | Screw-HHF |
| 16 | 3296-2 | 4 | Nut-Lock, NI |
| 17 | 131-6456 | 4 | Screw-HWH |



Front Drive Assembly

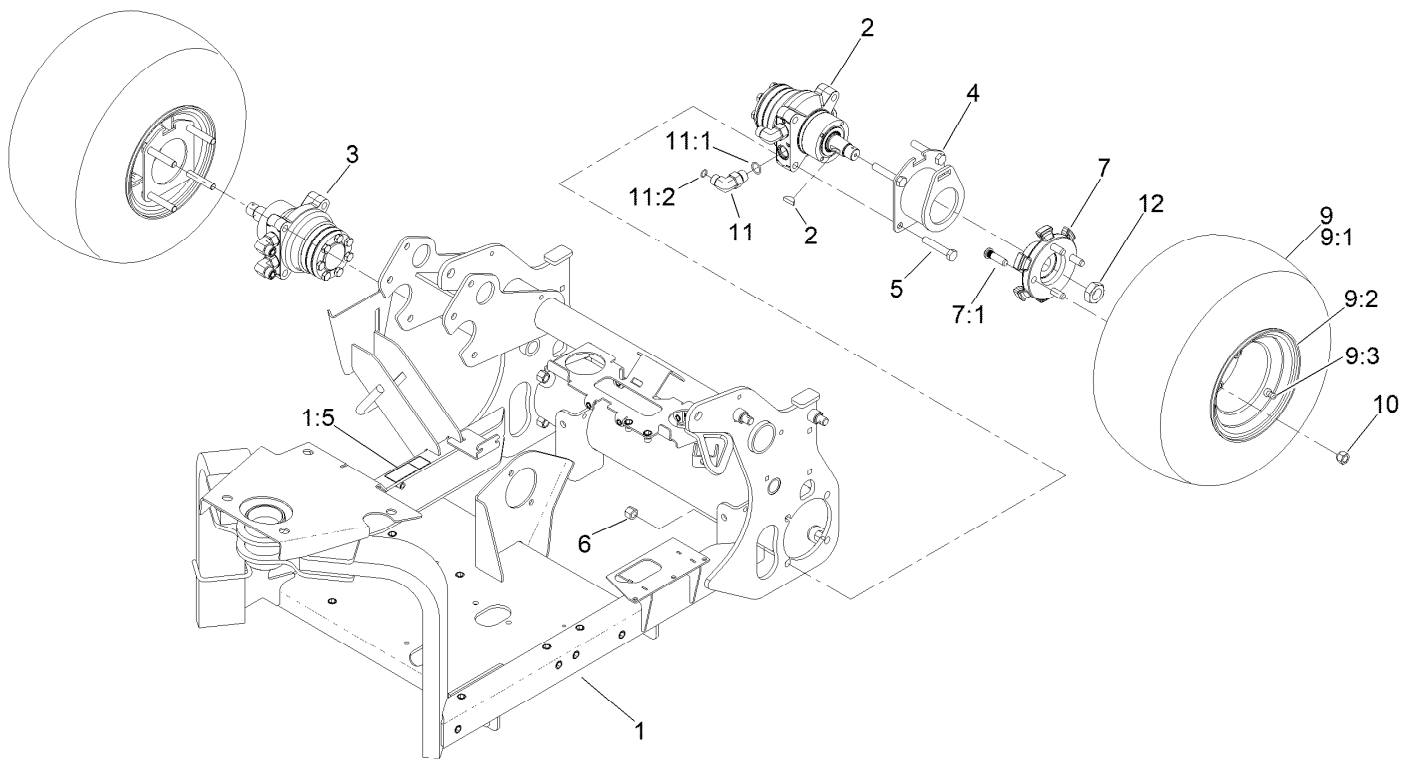
| Ref. | Part Number | Qty. | Description | Ref. | Part Number | Qty. | Description |
|------|-------------|------|---------------------|------|-------------|------|-----------------------|
| 1 | 340-89 | 2 | Fitting-HYD, 45 DEG | 8 | 107-3399 | 2 | Adapter-Weight, Wheel |
| 1:1 | 237-30 | 1 | O-Ring | 9 | 105-1088 | 2 | Stud |
| 1:2 | 237-80 | 1 | O-Ring | 10 | 147-9387 | 1 | Weight-Wheel |
| 2 | 325-13 | 4 | Screw-HH | 11 | 87-7270 | 2 | Washer-Thrust |
| 3 | 106-8808 | 1 | HYD Motor ASM | 12 | 3296-23 | 2 | Nut-Lock, NI |
| 4 | 144-9879 | 1 | Bracket-Sensor | 13 | 144-9802 | 1 | Sensor-Speed |
| 5 | 144-9813 | 1 | Hub -Wheel | 14 | 3234-33 | 1 | Screw-HHF |
| 6 | 114-4665 | 1 | Tire ASM | 15 | 26-3790 | 1 | Nut-Lock |
| 6:1 | 70-8500 | 1 | Tire-Smooth, 4-Ply | 16 | 32180-030 | 1 | Clip-Tie |
| 6:2 | 114-4643 | 1 | Wheel | 17 | 3296-25 | 2 | Nut-Lock, NI |
| 6:3 | 232-27 | 1 | Stem-Valve | 18 | 139-8694 | 1 | Shim |
| 7 | 139-2564 | 2 | Nut-Lug | | | | |



(CCW) Hydraulic Motor Assembly No. 106-8808

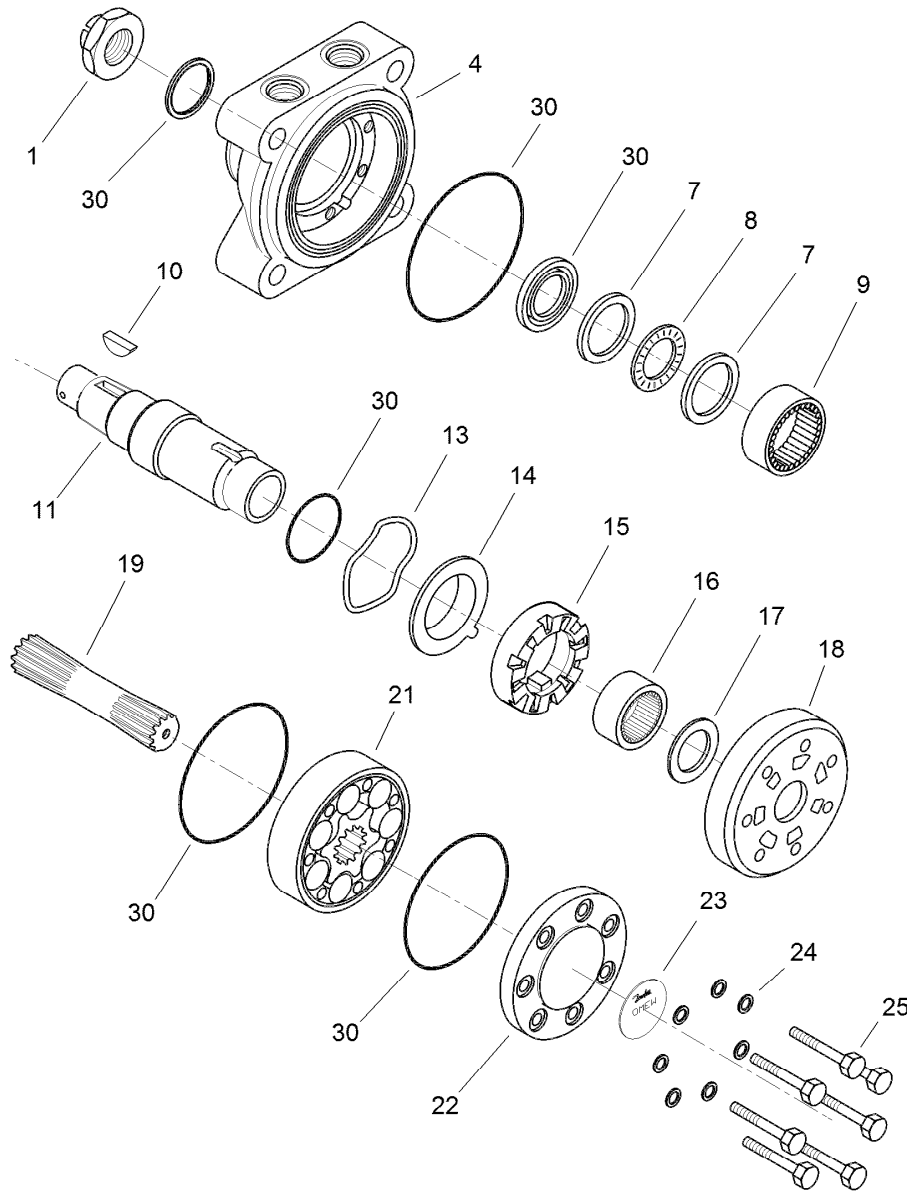
| Ref. | Part Number | Qty. | Description | Ref. | Part Number | Qty. | Description |
|------|-------------|------|--------------------------|------|-------------|------|--------------------------|
| 1 | | 1 | Nut-Castellated ● | 16 | | 1 | Bearing-Needle, Radial ● |
| 4 | | 1 | Housing ● | 17 | | 1 | Race-Bearing ● |
| 7 | | 2 | Race-Bearing ● | 18 | | 1 | Plate-Distributor ● |
| 8 | | 1 | Bearing-Needle, Axial ● | 19 | | 1 | Shaft-Cardan ● |
| 9 | | 1 | Bearing-Needle, Radial ● | 21 | | 1 | Gearwheel Set ● |
| 10 | 3257-42 | 1 | Key-Woodruff | 22 | | 1 | Cover-End ● |
| 11 | | 1 | Shaft-Tapered ● | 23 | | 1 | Plate-Name ● |
| 13 | | 1 | Washer-Spring ● | 24 | | 7 | Washer ● |
| 14 | | 1 | Plate-Balance ● | 25 | | 7 | Screw ● |
| 15 | | 1 | Disc-Valve ● | 30 | 109-5966 | 1 | Wheel Motor Seal Kit |

● Not serviced separately



Rear Hydraulic Drive Assembly

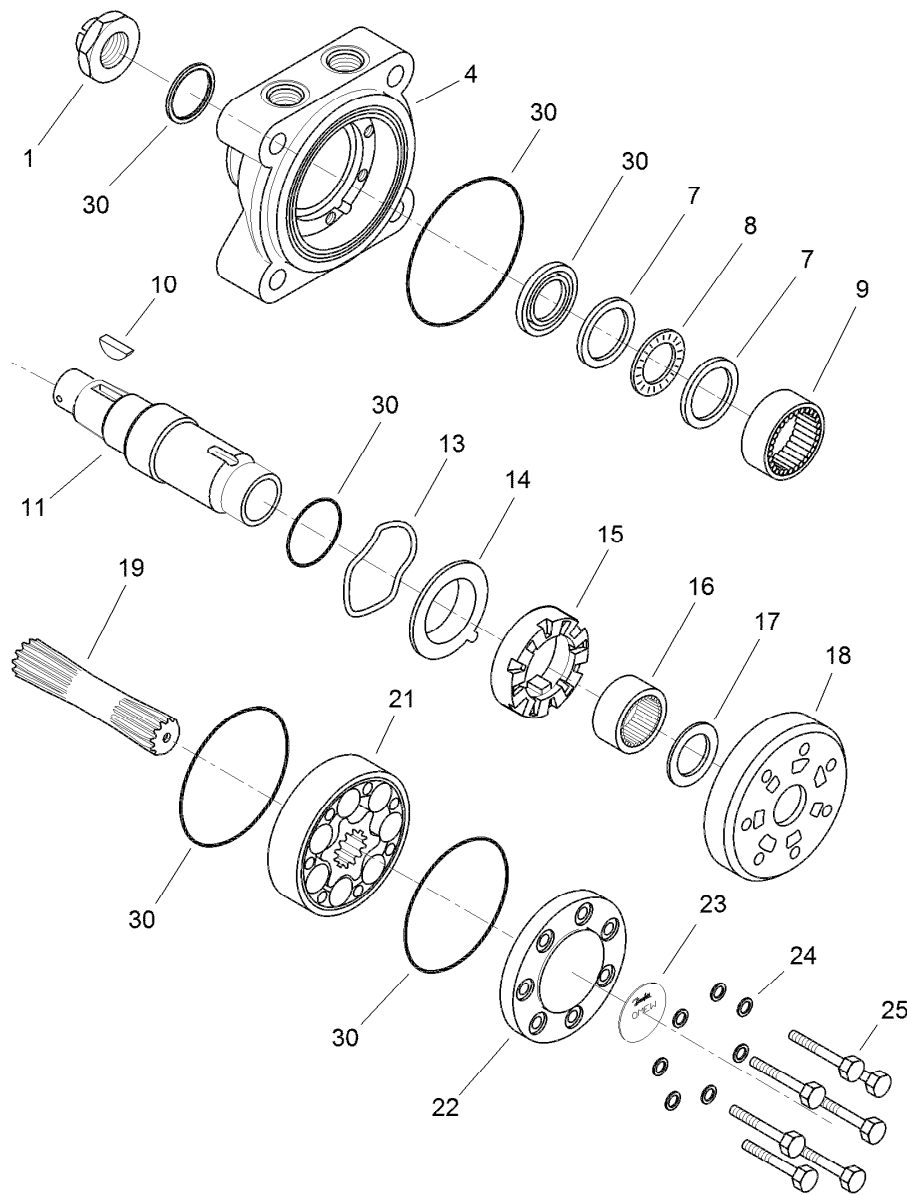
| <i>Ref.</i> | <i>Part Number</i> | <i>Qty.</i> | <i>Description</i> | <i>Ref.</i> | <i>Part Number</i> | <i>Qty.</i> | <i>Description</i> |
|-------------|--------------------|-------------|--------------------|-------------|--------------------|-------------|-----------------------|
| 1 | 161-6955 | 1 | Front Frame ASM | 9 | 114-4665 | 2 | Tire ASM |
| 1:5 | 117-4979 | 1 | Decal-Warning | 9:1 | 70-8500 | 1 | Tire-Smooth, 4-Ply |
| 2 | 106-8806 | 1 | HYD Motor ASM | 9:2 | 114-4643 | 1 | Wheel |
| 3 | 106-8807 | 1 | HYD Motor ASM | 9:3 | 232-27 | 1 | Stem-Valve |
| 4 | 140-6269 | 2 | Parking Latch Supt | 10 | 139-2564 | 8 | Nut-Lug |
| 5 | 325-11 | 8 | Screw-HH | 11 | 340-105 | 4 | Fitting-Elbow, 90 DEG |
| 6 | 3296-23 | 8 | Nut-Lock, NI | 11:1 | 237-80 | 1 | O-Ring |
| 7 | 140-6277 | 2 | Wheel Hub ASM | 11:2 | 237-30 | 1 | O-Ring |
| 7:1 | 10-6830 | 4 | Stud-Type, Drive | 12 | 26-3790 | 2 | Nut-Lock |



(CCW) Hydraulic Motor Assembly No. 106-8806

| Ref. | Part Number | Qty. | Description | Ref. | Part Number | Qty. | Description |
|------|-------------|------|--------------------------|------|-------------|------|--------------------------|
| 1 | | 1 | Nut-Castellated ● | 16 | | 1 | Bearing-Needle, Radial ● |
| 4 | | 1 | Housing ● | 17 | | 1 | Race-Bearing ● |
| 7 | | 2 | Race-Bearing ● | 18 | | 1 | Plate-Distributor ● |
| 8 | | 1 | Bearing-Needle, Axial ● | 19 | | 1 | Shaft-Cardan ● |
| 9 | | 1 | Bearing-Needle, Radial ● | 21 | | 1 | Gearwheel Set ● |
| 10 | 3257-42 | 1 | Key-Woodruff | 22 | | 1 | Cover-End ● |
| 11 | | 1 | Shaft-Tapered ● | 23 | | 1 | Plate-Name ● |
| 13 | | 1 | Washer-Spring ● | 24 | | 7 | Washer ● |
| 14 | | 1 | Plate-Balance ● | 25 | | 7 | Screw ● |
| 15 | | 1 | Disc-Valve ● | 30 | 109-5966 | 1 | Wheel Motor Seal Kit |

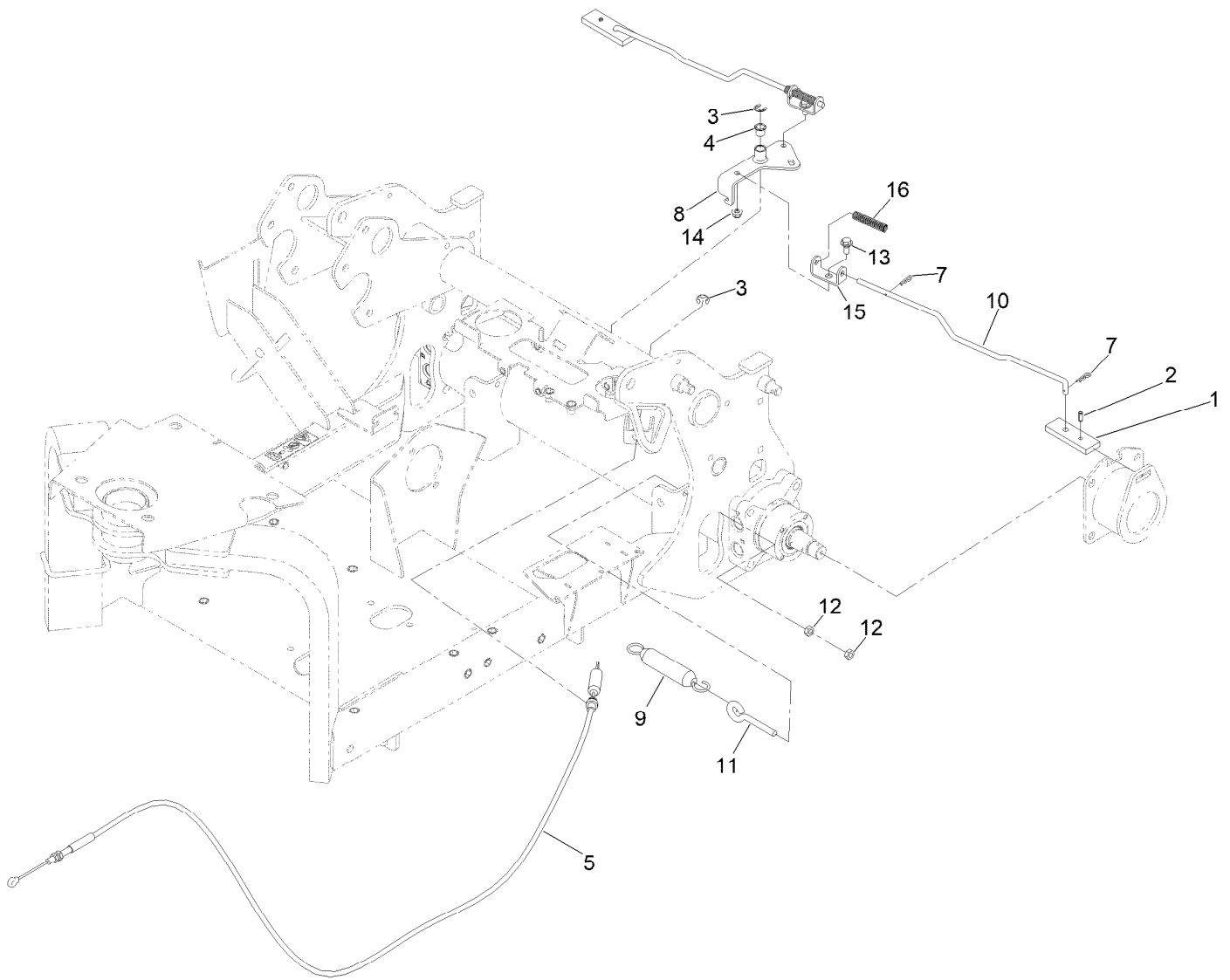
● Not serviced separately



(CW) Hydraulic Motor Assembly No. 106-8807

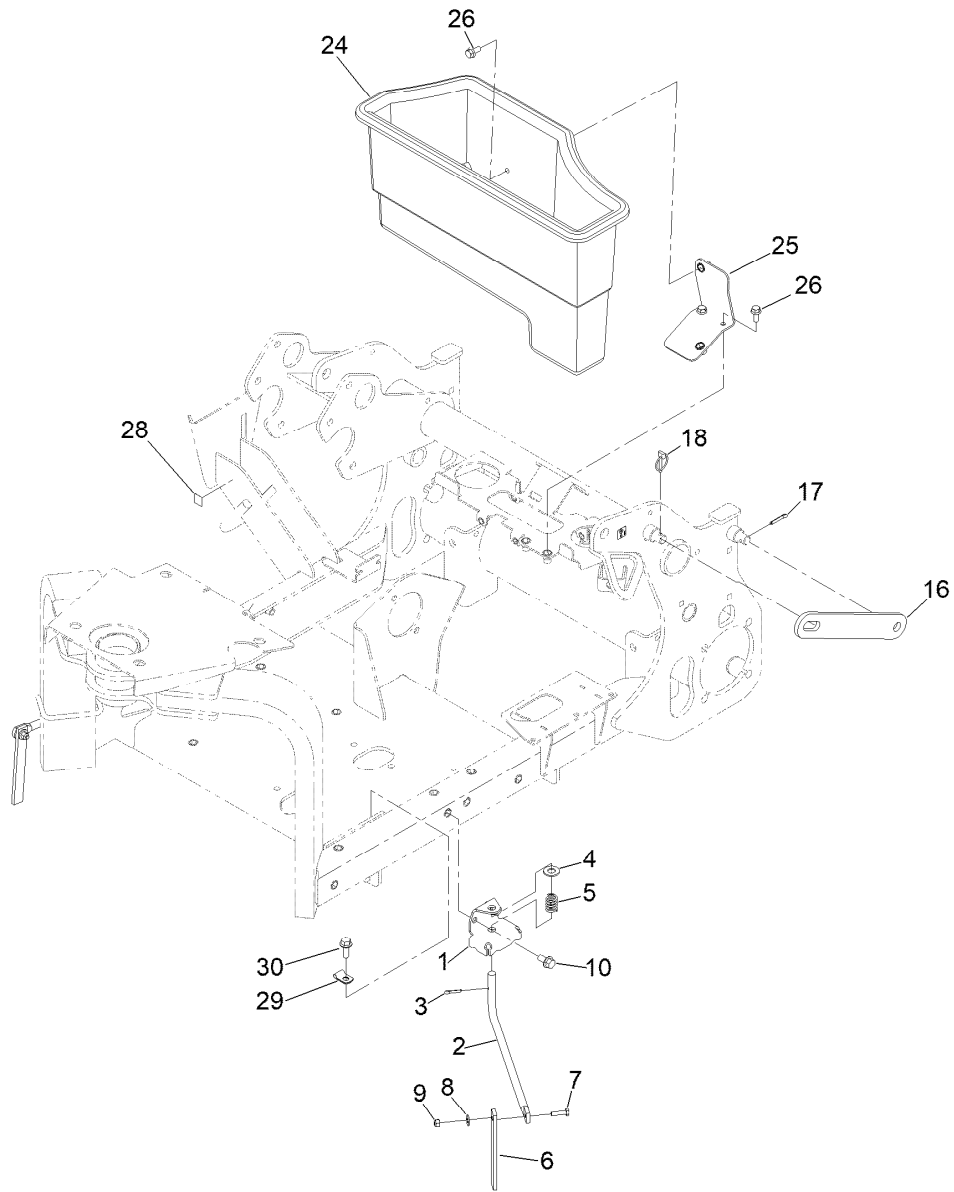
| Ref. | Part Number | Qty. | Description | Ref. | Part Number | Qty. | Description |
|------|-------------|------|--------------------------|------|-------------|------|--------------------------|
| 1 | | 1 | Nut-Castellated ● | 16 | | 1 | Bearing-Needle, Radial ● |
| 4 | | 1 | Housing ● | 17 | | 1 | Race-Bearing ● |
| 7 | | 2 | Race-Bearing ● | 18 | | 1 | Plate-Distributor ● |
| 8 | | 1 | Bearing-Needle, Axial ● | 19 | | 1 | Shaft-Cardan ● |
| 9 | | 1 | Bearing-Needle, Radial ● | 21 | | 1 | Gearwheel Set ● |
| 10 | 3257-42 | 1 | Key-Woodruff | 22 | | 1 | Cover-End ● |
| 11 | | 1 | Shaft-Tapered ● | 23 | | 1 | Plate-Name ● |
| 13 | | 1 | Washer-Spring ● | 24 | | 7 | Washer ● |
| 14 | | 1 | Plate-Balance ● | 25 | | 7 | Screw ● |
| 15 | | 1 | Disc-Valve ● | 30 | 109-5966 | 1 | Wheel Motor Seal Kit |

● Not serviced separately



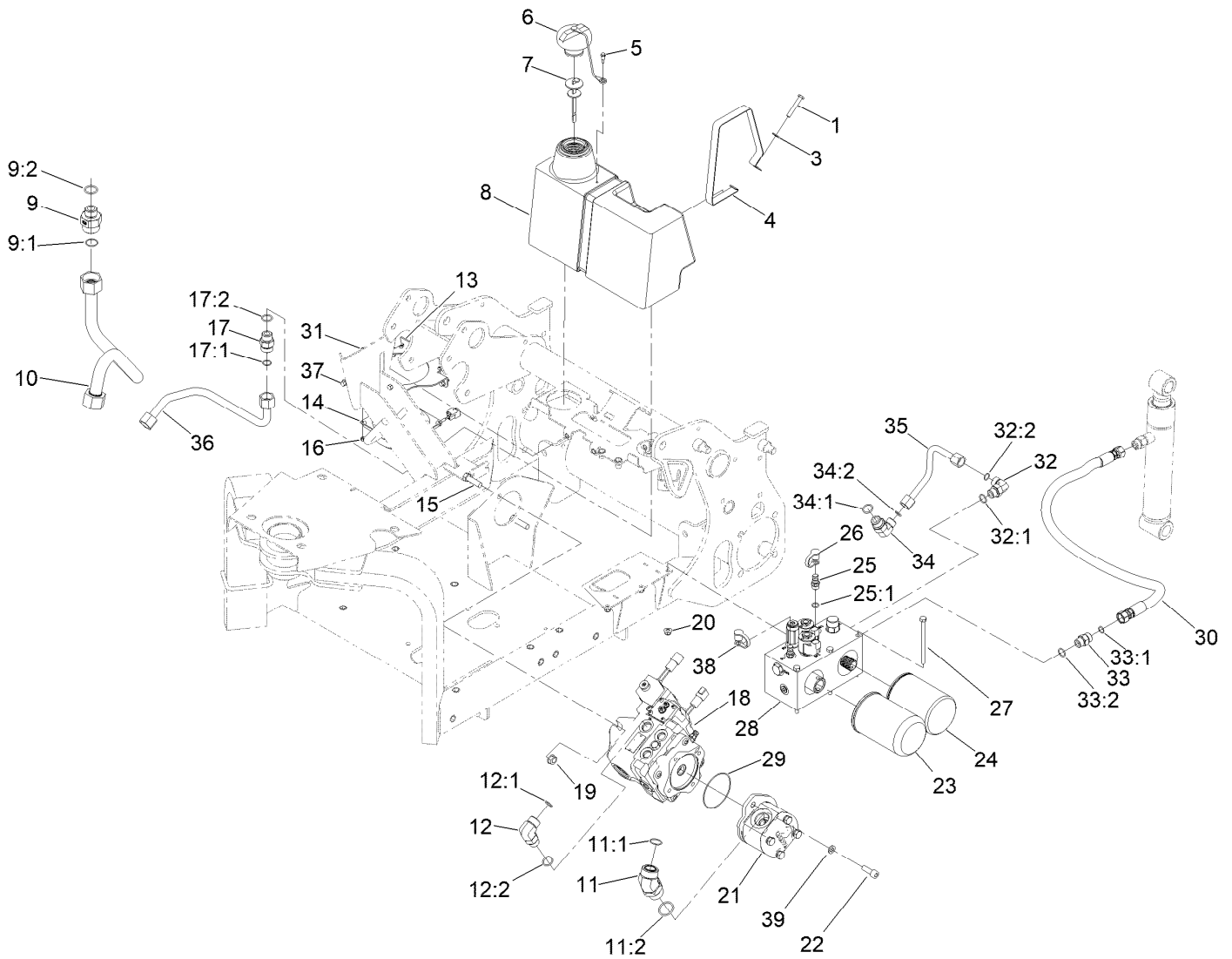
Parking Brake Assembly

| Ref. | Part Number | Qty. | Description |
|------|-------------|------|--------------------------|
| 1 | 106-8885-03 | 2 | Bar-Latch, Parking |
| 2 | 32121-134 | 2 | Pin-Roll |
| 3 | 32120-47 | 2 | Ring-Retaining, External |
| 4 | 256-257 | 2 | Bushing-Nyliner |
| 5 | 161-6963 | 1 | Cable-Brake |
| 7 | 3290-307 | 4 | Pin-Cotter |
| 8 | 140-8586 | 1 | Pivot Latch ASM |
| 9 | 66-4270 | 1 | Spring-Extension |
| 10 | 140-8743 | 2 | Link-Latch, Parking |
| 11 | 94-2547 | 1 | Bolt-Eye |
| 12 | 3217-7 | 2 | Nut-Hex |
| 13 | 19-1470 | 2 | Screw-Shoulder |
| 14 | 104-8300 | 2 | Nut-HF, NI |
| 15 | 114-0631 | 2 | Clevis-Latch, Parking |
| 16 | 107-3376 | 2 | Spring-Compression |



Lift Linkage Assembly

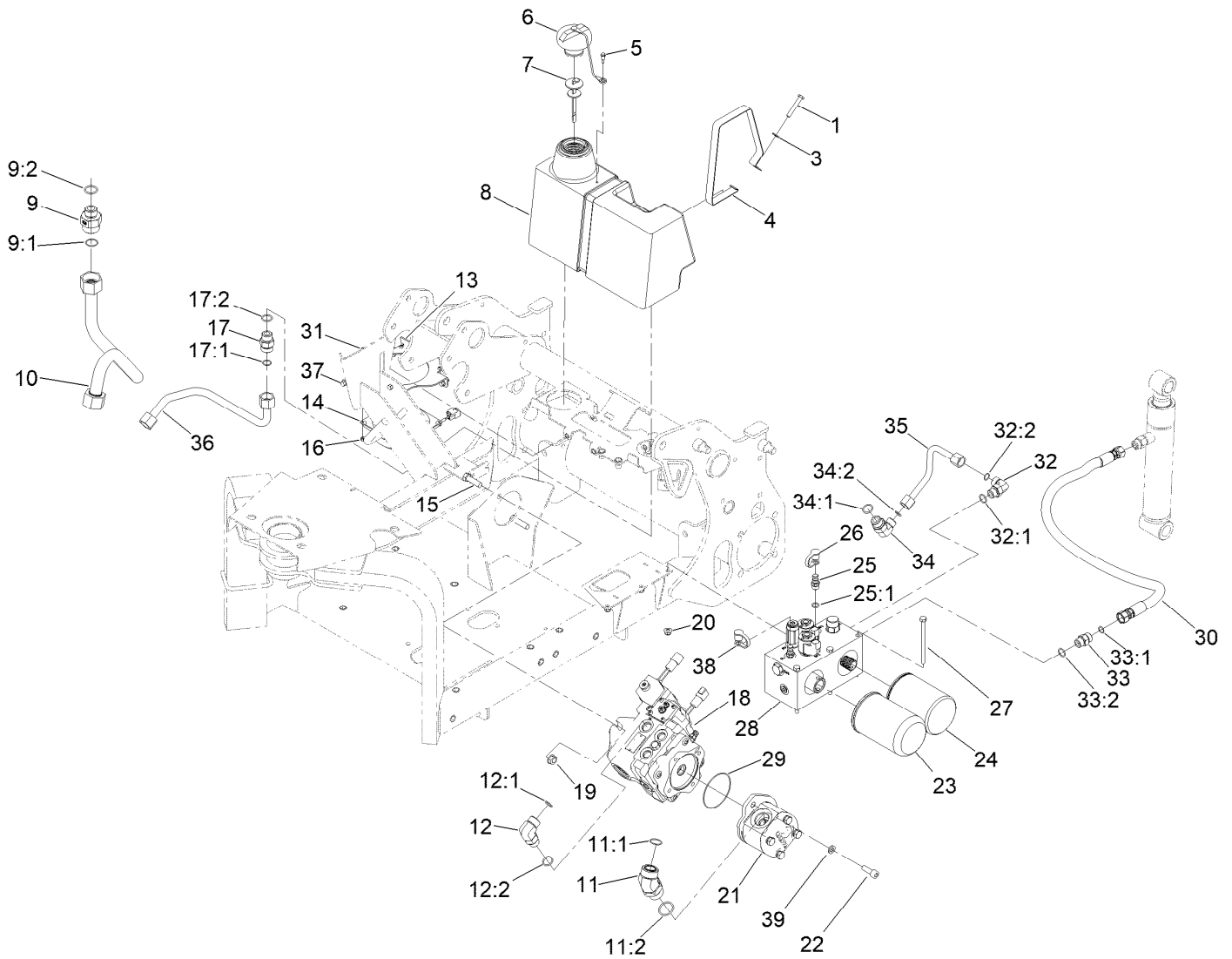
| <i>Ref.</i> | <i>Part Number</i> | <i>Qty.</i> | <i>Description</i> | <i>Ref.</i> | <i>Part Number</i> | <i>Qty.</i> | <i>Description</i> |
|-------------|--------------------|-------------|--------------------|-------------|--------------------|-------------|--------------------|
| 1 | 105-1178-01 | 2 | Bracket-Marker | 16 | 105-0983-01 | 1 | Bar-Prop |
| 2 | 105-1179 | 2 | Rod-Marker | 17 | 3272-21 | 1 | Pin-Cotter |
| 3 | 3272-31 | 2 | Pin-Cotter | 18 | 3290-495 | 1 | Pin-Klik |
| 4 | 3256-26 | 2 | Washer-Flat | 24 | 139-8692 | 1 | Bin-Storage |
| 5 | 20-6110 | 2 | Spring-Compression | 25 | 144-9882 | 1 | Bin Bracket ASM |
| 6 | 59-9460 | 2 | Guide | 26 | 3234-47 | 4 | Screw-HHF |
| 7 | 321-6 | 2 | Screw-HH | 28 | 93-9084 | 2 | Decal-Point, Lift |
| 8 | 3256-2 | 2 | Washer-Flat | 29 | 2412-112 | 1 | Clamp-R |
| 9 | 3296-42 | 2 | Nut-Lock, NI | 30 | 3234-11 | 1 | Screw-HHF |
| 10 | 3234-1 | 4 | Screw-HHF | | | | |



Hydraulic Assembly

| Ref. | Part Number | Qty. | Description | Ref. | Part Number | Qty. | Description |
|------|-------------|------|-----------------------|------|-------------|------|--------------------|
| 1 | 120-6000 | 1 | Bolt-TAP, HH | 14 | 139-8651 | 1 | Fan-Electric |
| 3 | 3256-23 | 1 | Washer-Plain | 15 | 324-6 | 2 | Screw-HH |
| 4 | 94-4642-03 | 1 | Strap-Tank, HYD | 16 | 3296-1 | 4 | Nut-Lock |
| 5 | 57-5420 | 1 | Screw-Shoulder | 17 | 340-7 | 1 | Fitting-Straight |
| 6 | 93-7160 | 1 | Cap-Oil, HYD | 17:1 | 237-65 | 1 | O-Ring |
| 7 | 106-8811 | 1 | Dipstick ASM | 17:2 | 237-80 | 1 | O-Ring |
| 8 | 127-4162 | 1 | Reservoir-Oil, HYD | 18 | 140-8564 | 1 | Hydrostat |
| 9 | 87-7290 | 1 | Fitting-STR | 19 | 32128-37 | 2 | Nut-HF |
| 9:1 | 340-65 | 1 | O-Ring | 20 | 104-8300 | 3 | Nut-HF, NI |
| 9:2 | 237-81 | 1 | O-Ring | 21 | 140-8836 | 1 | Pump-Gear |
| 10 | 139-8649 | 1 | Hydraulic Tube ASM | 22 | AU862-10030 | 2 | Screw-HSH |
| 11 | 104-3509 | 1 | Fitting-HYD, 45 DEG | 23 | 75-1310 | 1 | Filter-HYD |
| 11:1 | 237-146 | 1 | O-Ring | 24 | 107-9531 | 1 | Filter-Oil, HYD |
| 11:2 | 340-65 | 1 | O-Ring | 25 | 59-7410 | 2 | Fitting-Diagnostic |
| 12 | 340-17 | 1 | Fitting-Elbow, 90 DEG | 25:1 | 237-42 | 1 | O-Ring |
| 12:1 | 237-65 | 1 | O-Ring | 26 | 354-79 | 1 | Cap-Dust |
| 12:2 | 237-80 | 1 | O-Ring | 27 | 322-38 | 3 | Screw-HH |
| 13 | 139-8634-03 | 1 | Bracket-Fan | 28 | 140-8614 | 1 | Manifold |

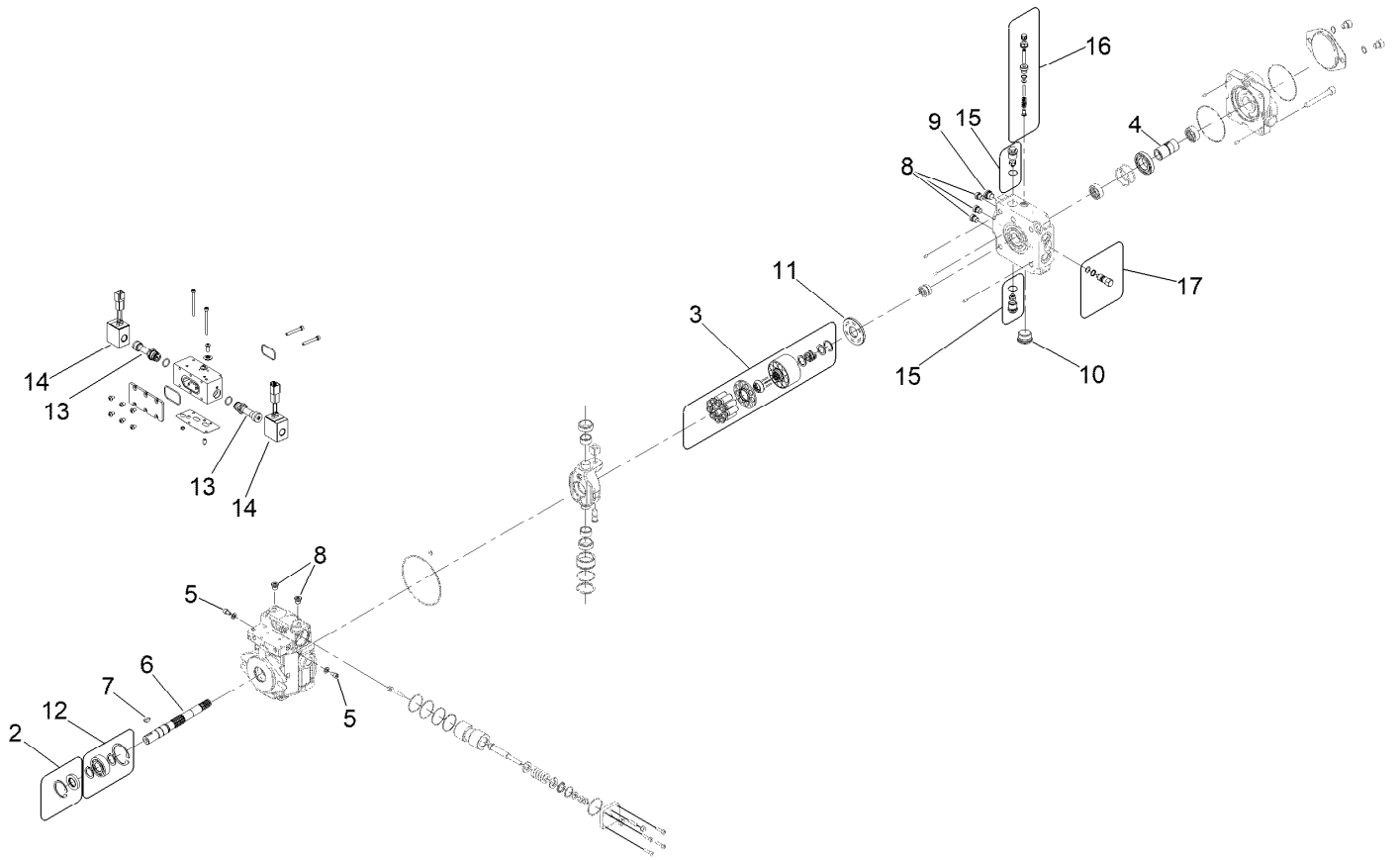
● Not illustrated



Hydraulic Assembly (continued)

| Ref. | Part Number | Qty. | Description | Ref. | Part Number | Qty. | Description |
|------|-------------|------|-----------------------|------|-------------|------|-----------------------|
| 29 | 353-949 | 1 | O-Ring | 34 | 340-105 | 1 | Fitting-Elbow, 90 DEG |
| 30 | 95-5985 | 1 | Hose-HYD | 34:1 | 237-80 | 1 | O-Ring |
| 31 | 3250-26 | 4 | Screw-PPH | 34:2 | 237-30 | 1 | O-Ring |
| 32 | 340-98 | 1 | Fitting-Elbow, 90 DEG | 35 | 140-8864 | 1 | Hydraulic Tube ASM |
| 32:1 | 237-79 | 1 | O-Ring | 36 | 144-9876 | 1 | Hydraulic Tube ASM |
| 32:2 | 237-30 | 1 | O-Ring | 37 | 137-3111 | 4 | Screw-HHF |
| 33 | 340-4 | 1 | Fitting-Straight | 38 | 353-947 | 1 | Cap-Dust, Black |
| 33:1 | 237-30 | 1 | O-Ring | 39 | 33095-00 | 2 | Washer-Flat |
| 33:2 | 237-79 | 1 | O-Ring | 99 | 505-180 | 12 | Oil-HYD, Toro Px ● |

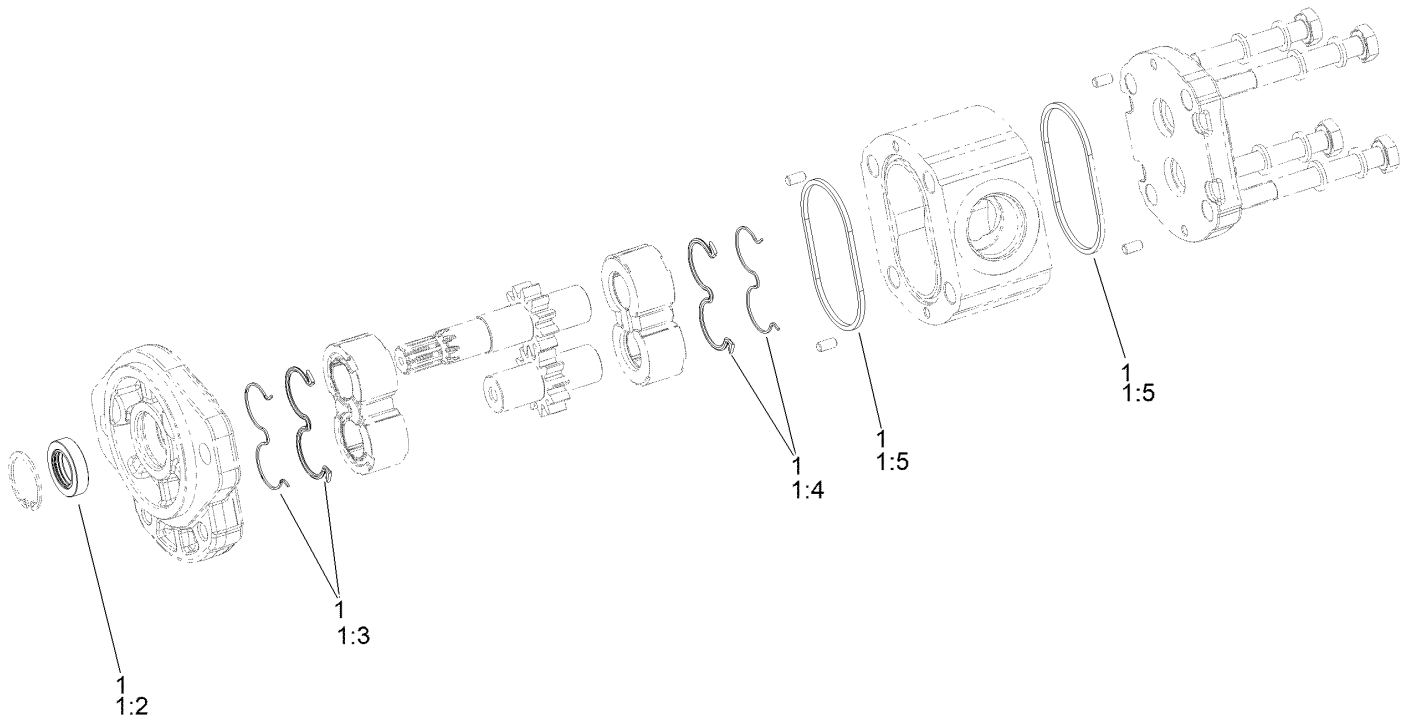
● Not illustrated



Hydrostat Assembly No. 140-8564

| <i>Ref.</i> | <i>Part Number</i> | <i>Qty.</i> | <i>Description</i> | <i>Ref.</i> | <i>Part Number</i> | <i>Qty.</i> | <i>Description</i> |
|-------------|--------------------|-------------|--------------------|-------------|--------------------|-------------|------------------------|
| 1 | 139-8742 | 1 | Seal Kit ● | 10 | 139-8676 | 1 | Plug |
| 2 | 132-6045 | 1 | Shaft Seal Kit | 11 | 139-8677 | 1 | Valveplate |
| 3 | 132-6048 | 1 | Rotating Group Kit | 12 | 139-8680 | 1 | Driveshaft Bearing Kit |
| 4 | 139-8670 | 1 | Coupling | 13 | 139-8681 | 2 | Control Valve |
| 5 | 139-8671 | 2 | Screw | 14 | 139-8682 | 2 | Coil-Control Valve |
| 6 | 139-8672 | 1 | Driveshaft-Pump | 15 | 139-8684 | 2 | Main Relief Valve |
| 7 | 139-8673 | 1 | Key | 16 | 139-8685 | 1 | Charge Relief Valve |
| 8 | 139-8674 | 3 | Plug | 17 | 139-8686 | 1 | Bypass Valve Kit |
| 9 | 139-8675 | 1 | Plug | | | | |

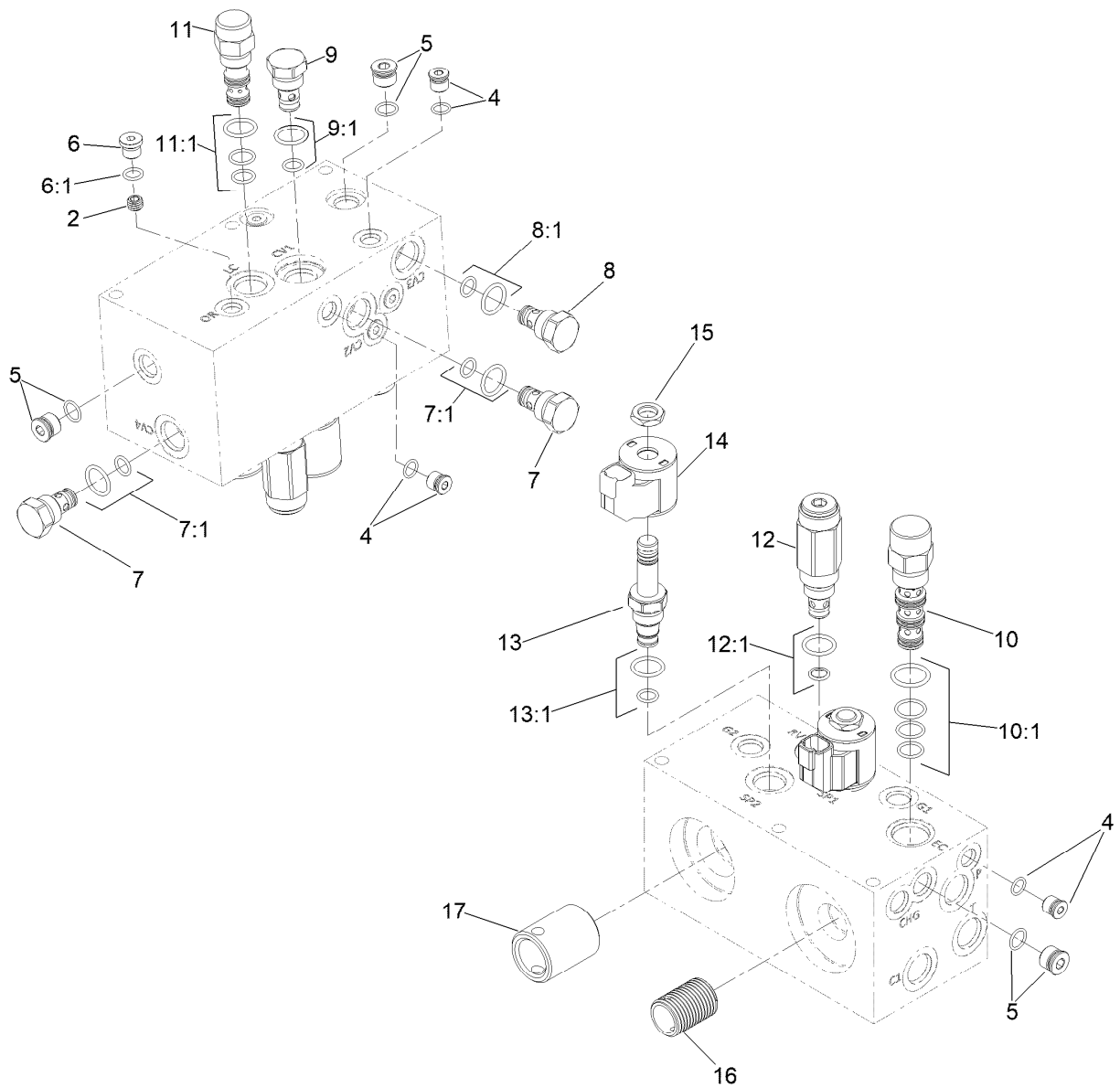
● Not illustrated



Gear Pump Assembly No. 140-8836

| <i>Ref.</i> | <i>Part Number</i> | <i>Qty.</i> | <i>Description</i> |
|-------------|--------------------|-------------|-----------------------|
| 1 | 119-7135 | 1 | Kit-Seal |
| 1:2 | | 1 | Shaft Seal ● |
| 1:3 | | 2 | Anti-Extrusion Seal ● |
| 1:4 | | 2 | Seal ● |
| 1:5 | | 2 | Seal Square Section ● |

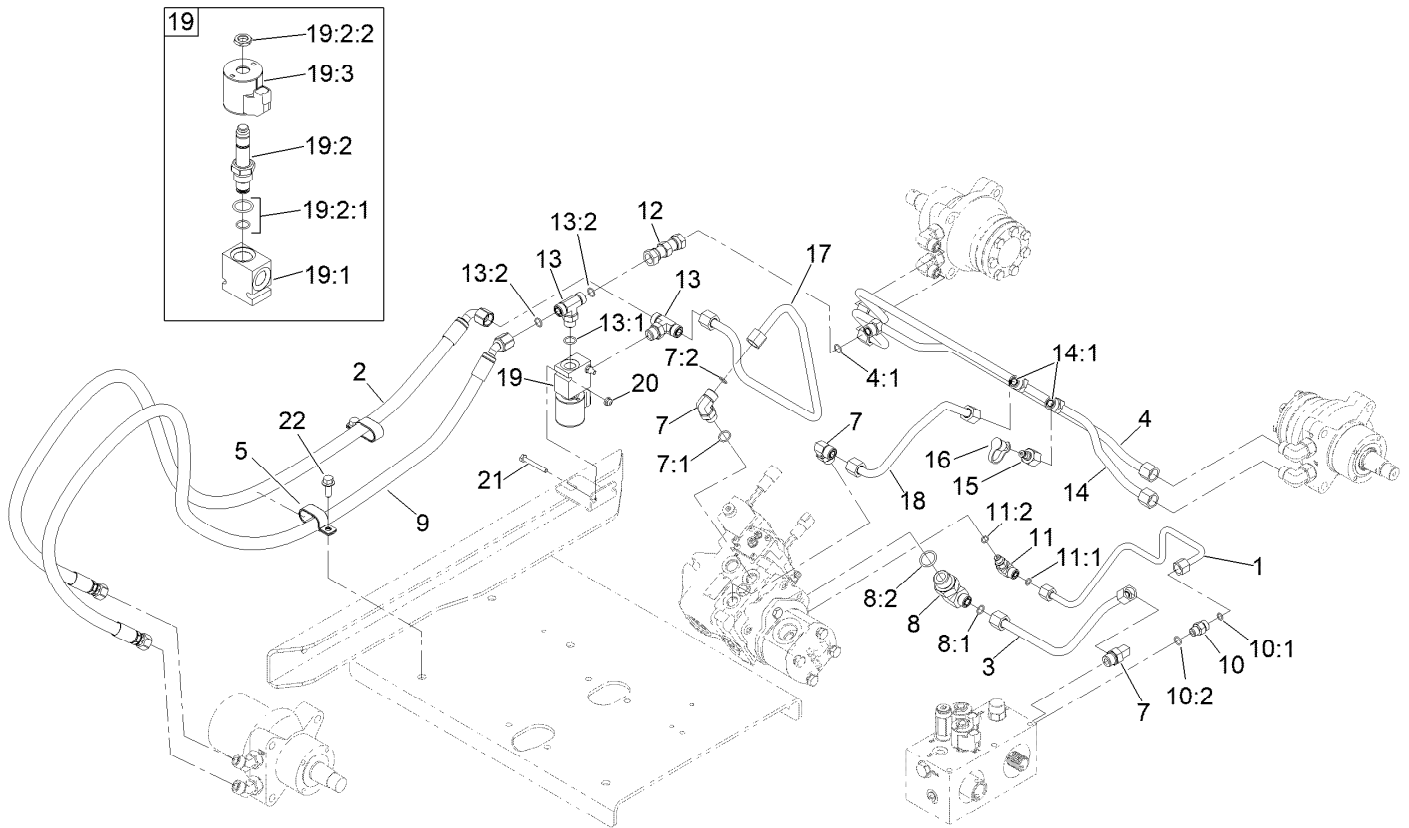
● Not serviced separately



Manifold Assembly No. 140-8614

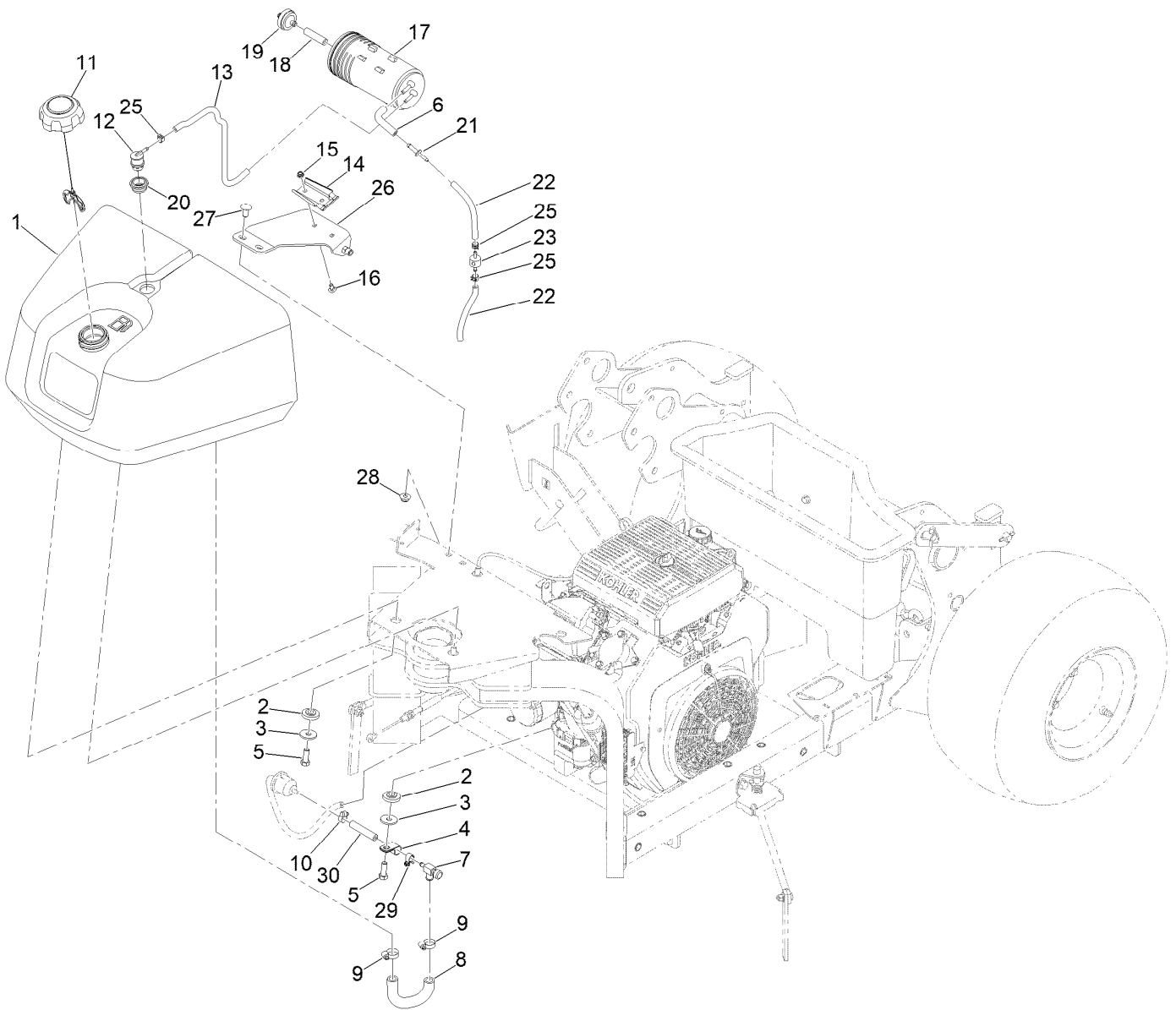
| <i>Ref.</i> | <i>Part Number</i> | <i>Qty.</i> | <i>Description</i> |
|-------------|--------------------|-------------|---------------------------|
| 2 | 110-0495 | 1 | Plug-Orifice (0.050 Inch) |
| 4 | 112-9212 | 6 | Plug |
| 5 | 112-9213 | 3 | Plug |
| 6 | 139-8642 | 1 | Plug-Socket, SAE |
| 6:1 | 139-8643 | 1 | Seal Kit |
| 7 | 107-7524 | 2 | Check Valve ASM |
| 7:1 | 105-9156 | 1 | Seal Kit |
| 8 | 139-1213 | 1 | Valve-Check |
| 8:1 | 105-9156 | 1 | Seal Kit |
| 9 | 105-9321 | 1 | Check Valve ASM |
| 9:1 | 105-9156 | 1 | Seal Kit |
| 10 | 139-8632 | 1 | Spool Valve |

| <i>Ref.</i> | <i>Part Number</i> | <i>Qty.</i> | <i>Description</i> |
|-------------|--------------------|-------------|----------------------------|
| 10:1 | 110-8908 | 1 | Spool Valve Seal Kit |
| 11 | 139-8631 | 1 | Pilot Logic Element |
| 11:1 | 110-8773 | 1 | Seal Kit |
| 12 | 139-8630 | 1 | Valve-Relief |
| 12:1 | 105-9156 | 1 | Seal Kit |
| 13 | 139-8629 | 2 | Valve-Electro Proportional |
| 13:1 | 105-9156 | 1 | Seal Kit |
| 14 | 112-0197 | 2 | E Coil-12V DC |
| 15 | 110-2634 | 2 | Nut-Coil |
| 16 | 139-8633 | 1 | Nipple-Filter |
| 17 | 125-7551 | 1 | Nipple-Filter |



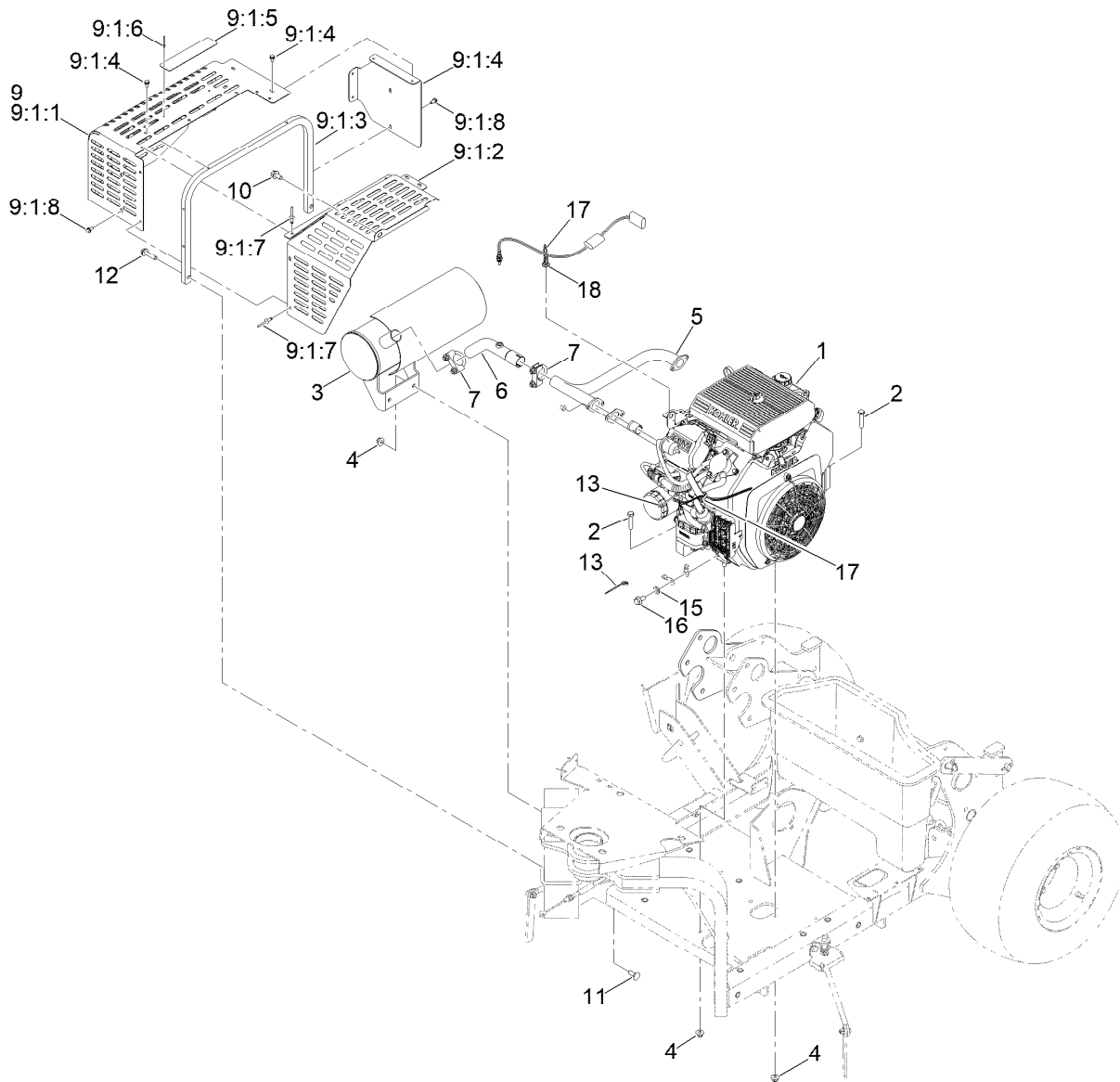
Hydraulic Hose and Tube Assembly

| Ref. | Part Number | Qty. | Description | Ref. | Part Number | Qty. | Description |
|------|-------------|------|------------------------|--------|-------------|------|--------------------------------|
| 1 | 140-8866 | 1 | Hydraulic Tube ASM | 13 | 340-157 | 2 | Fitting-HYD, Tee |
| 2 | 161-6964 | 1 | Hydraulic Hose ASM | 13:1 | 237-79 | 1 | O-Ring |
| 3 | 140-8865 | 1 | Hydraulic Tube ASM | 13:2 | 237-30 | 2 | O-Ring |
| 4 | 106-8818 | 1 | Tube ASM | 14 | 140-8855 | 1 | Hydraulic Tube ASM |
| 4:1 | 237-30 | 1 | O-Ring | 14:1 | 237-30 | 2 | O-Ring |
| 5 | 106-8829 | 2 | R Clamp-Double | 15 | 100-5616 | 1 | Fitting |
| 7 | 340-98 | 3 | Fitting-Elbow, 90 DEG | 16 | 354-79 | 1 | Cap-Dust |
| 7:1 | 237-79 | 1 | O-Ring | 17 | 140-8862 | 1 | Hydraulic Tube ASM |
| 7:2 | 237-30 | 1 | O-Ring | 18 | 144-9803 | 1 | Hydraulic Tube ASM |
| 8 | 340-105 | 1 | Fitting-Elbow, 90 DEG | 19 | 140-8867 | 1 | Manifold-Traction |
| 8:1 | 237-80 | 1 | O-Ring | 19:1 | T56054034 | 1 | Body-Valve, Hydraulic |
| 8:2 | 237-30 | 1 | O-Ring | 19:2 | T56054036 | 1 | Valve-HYD, Solenoid (W/O Coil) |
| 9 | 161-6965 | 1 | Hydraulic Hose ASM | 19:2:1 | 110-2633 | 1 | Seal Kit |
| 10 | 340-2 | 1 | Fitting-Straight | 19:2:2 | 110-2634 | 1 | Nut-Coil |
| 10:1 | 237-22 | 1 | O-Ring | 19:3 | 119-4619 | 1 | Coil-Solenoid |
| 10:2 | 237-42 | 1 | O-Ring | 20 | 104-7201 | 2 | Nut-HF, NI |
| 11 | 340-97 | 1 | Fitting-Elbow, 90 DEG | 21 | 321-11 | 2 | Screw-HH |
| 11:1 | 237-22 | 1 | O-Ring | 22 | 3234-11 | 2 | Screw-HHF |
| 11:2 | 237-78 | 1 | O-Ring | | | | |
| 12 | 115-9036 | 1 | Fitting-Straight Union | | | | |



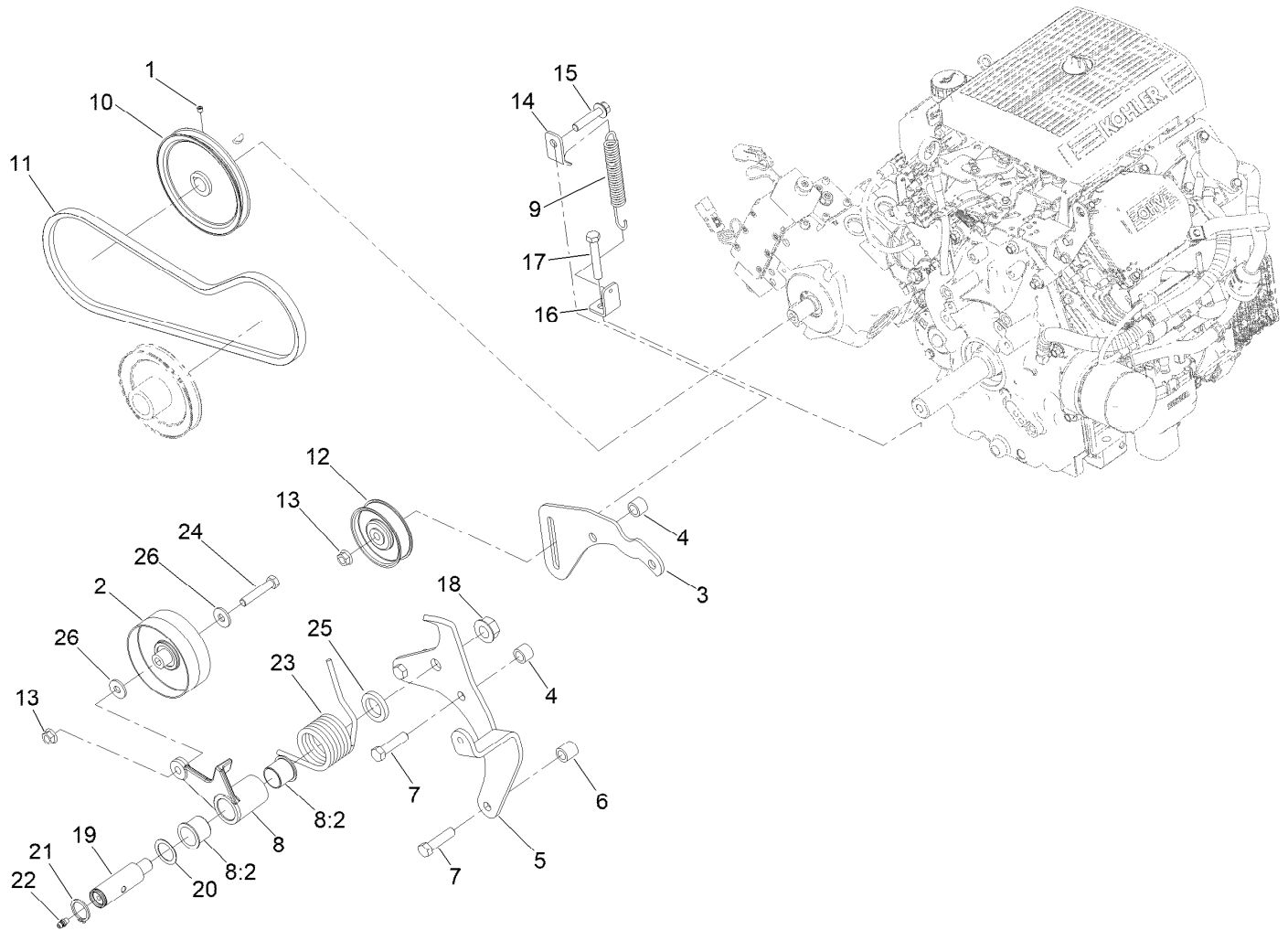
Fuel System Assembly

| Ref. | Part Number | Qty. | Description | Ref. | Part Number | Qty. | Description |
|------|-------------|------|--------------------------|------|-------------|------|------------------------|
| 1 | 115-5387 | 1 | Tank-Fuel | 16 | 3229-10 | 2 | Screw-CARR |
| 2 | 240-11 | 4 | Bushing-Flange | 17 | 117-1221 | 1 | Canister-Carbon, 800Cc |
| 3 | 63-8410 | 4 | Washer | 18 | 99-9415 | 1 | Hose-Fuel |
| 4 | 2412-41 | 1 | Clamp-R | 19 | 115-7854 | 1 | Filter-Fuel, Inline |
| 5 | 323-6 | 4 | Screw-HH | 20 | 114-0284 | 1 | Grommet |
| 6 | 114-3765 | 1 | Hose-Fuel | 21 | 121-0743 | 1 | Adapter-Orifice |
| 7 | 83-1390 | 1 | Valve-Shut-Off, Fuel | 22 | 75-4705 | 2 | Hose-Fuel |
| 8 | 108-6818 | 1 | Hose-Fuel, Molded | 23 | 133-8499 | 1 | Valve-Check, Vacuum |
| 9 | 2412-36 | 2 | Clamp-Hose | 25 | 2412-146 | 3 | Clamp-Hose |
| 10 | 2412-108 | 1 | Clamp-Worm | 26 | 161-6960 | 1 | Canister Bracket ASM |
| 11 | 137-4127 | 1 | Cap-Fuel | 27 | 3234-1 | 2 | Screw-HHF |
| 12 | 114-0285 | 1 | Valve-Rollover | 28 | 119-4042 | 2 | Nut-HF, NI |
| 13 | 115-4735 | 1 | Hose-Fuel | 29 | 145-4564 | 1 | Clamp-Band, Screw |
| 14 | 114-0292 | 1 | Bracket-Canister, Carbon | 30 | 109-0304 | 1 | Hose-Fuel |
| 15 | 3296-56 | 2 | Nut-Lock, NI | | | | |



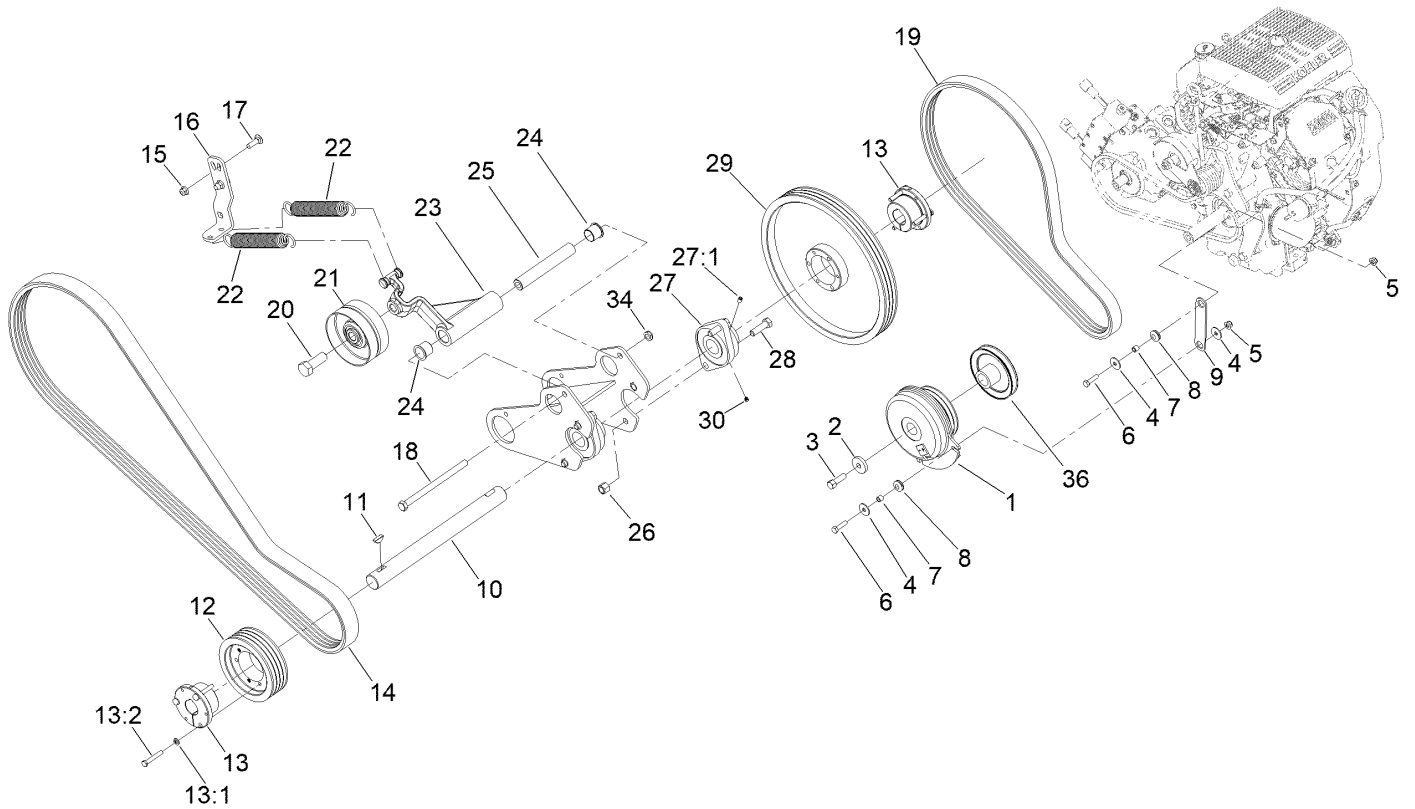
Engine and Muffler Assembly

| <i>Ref.</i> | <i>Part Number</i> | <i>Qty.</i> | <i>Description</i> | <i>Ref.</i> | <i>Part Number</i> | <i>Qty.</i> | <i>Description</i> |
|-------------|--------------------|-------------|---------------------------------|-------------|--------------------|-------------|--------------------------|
| 1 | 163-6635 | 1 | Engine-Rehlko | 9:1:6 | 3269-32 | 2 | Rivet-Pop |
| 2 | 323-9 | 4 | Screw-HH | 9:1:7 | 93-8744 | 7 | Rivet-Blind |
| 3 | 139-8763 | 1 | Muffler - Exhaust | 9:1:8 | 32144-4 | 10 | Screw-HWH |
| 4 | 119-4042 | 6 | Nut-HF, NI | 10 | 3234-1 | 1 | Screw-HHF |
| 5 | 106-8858 | 1 | Manifold-Exhaust | 11 | 3231-2 | 2 | Bolt-CARR |
| 6 | 161-6962 | 1 | Tube-Elbow, Exhaust | 12 | 3234-18 | 2 | Screw-HHF |
| 7 | 104-4090 | 2 | Clamp-Muffler | 13 | 3290-381 | 2 | Tie-Cable |
| 9 | 107-7546SP | 1 | Shield ASM | 15 | 33095-00 | 1 | Washer-Flat |
| 9:1:1 | 106-8903-01 | 1 | Shield-Muffler | 16 | 33105-020 | 1 | Screw-HHF |
| 9:1:2 | 106-8904-03 | 1 | Shield-Clutch | 17 | 3290-378 | 2 | Tie-Cable |
| 9:1:3 | 106-8848-01 | 1 | Tube-Shield, Muffler | 18 | 32180-139 | 1 | Mount-Tie Wrap, Magnetic |
| 9:1:4 | 106-8906-01 | 1 | Bracket-Shield, Muffler | | | | |
| 9:1:5 | 140-8962 | 1 | Artwork-Plate, Warning, Procure | | | | |



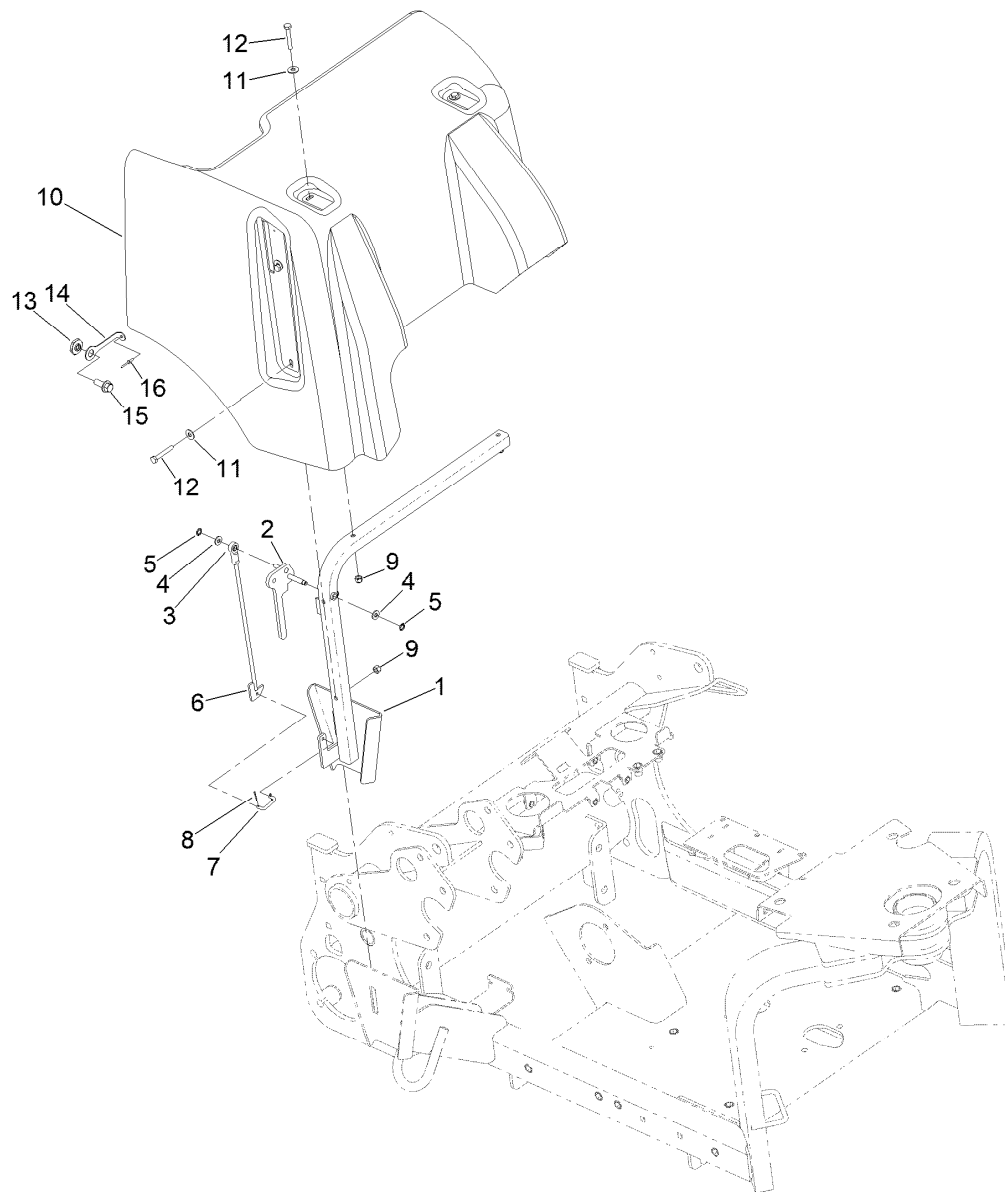
Idler, Pulley and Belt Assembly

| Ref. | Part Number | Qty. | Description | Ref. | Part Number | Qty. | Description |
|------|-------------|------|-------------------------|------|-------------|------|--------------------|
| 1 | 3245-7 | 2 | Screw-Set | 14 | 107-7588 | 1 | Bracket-Spring |
| 2 | 139-6031 | 1 | Pulley-Idler | 15 | 3234-19 | 1 | Screw-HHF |
| 3 | 105-1085-03 | 1 | Support-Idler | 16 | 107-7583 | 1 | Bracket-L |
| 4 | 68-5440 | 2 | Spacer | 17 | 104-3396 | 1 | Screw-HH |
| 5 | 115-4724-03 | 1 | Bracket-Mounting, Idler | 18 | 32128-54 | 1 | Nut-HF |
| 6 | 105-0985 | 1 | Spacer-Support, Idler | 19 | 99-3624 | 1 | Shaft-Pivot, Idler |
| 7 | 324-7 | 3 | Screw-HH | 20 | 74-1810 | 1 | Washer |
| 8 | 137-1653 | 1 | Idler Arm ASM | 21 | 32151-36 | 1 | Ring-Retaining |
| 8:2 | 126-1963 | 2 | Bushing-Pivot | 22 | 302-5 | 1 | Fitting-Grease |
| 9 | 106-4502 | 1 | Spring-Scraper | 23 | 115-3488 | 1 | Spring-Torsion |
| 10 | 137-6686 | 1 | Pulley | 24 | 323-10 | 1 | Screw-HH |
| 11 | 107-7513 | 1 | V-Belt | 25 | 99-3625 | 1 | Spacer-Arm, Idler |
| 12 | 112426 | 1 | Pulley-Idler | 26 | 80-6990 | 2 | Washer-Hardened |
| 13 | 32128-21 | 2 | Nut-HF Lock | | | | |



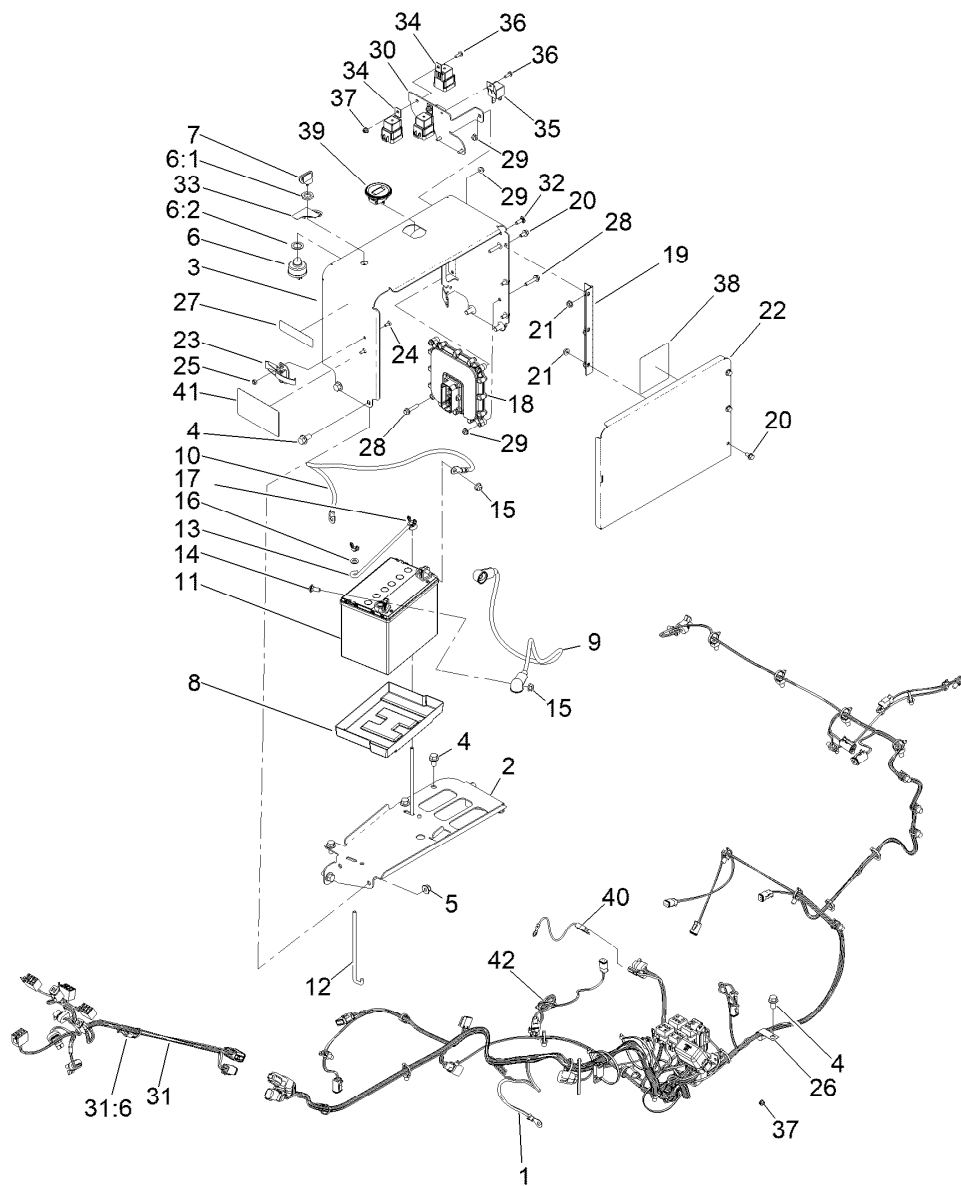
Clutch Assembly

| <i>Ref.</i> | <i>Part Number</i> | <i>Qty.</i> | <i>Description</i> | <i>Ref.</i> | <i>Part Number</i> | <i>Qty.</i> | <i>Description</i> |
|-------------|--------------------|-------------|---------------------|-------------|--------------------|-------------|-----------------------|
| 1 | 138-5986 | 1 | Clutch-Electric | 17 | 3231-25 | 2 | Bolt-CARR |
| 2 | 1-543610 | 1 | Washer-Flat | 18 | 325-36 | 1 | Screw-HH |
| 3 | 26-0671 | 1 | Screw-HH | 19 | 105-0989 | 1 | Belt-3V |
| 4 | 3256-82 | 3 | Washer-Flat | 20 | 328-24 | 1 | Screw-HH |
| 5 | 104-8300 | 2 | Nut-HF, NI | 21 | 100-7631 | 1 | Pulley-Idler |
| 6 | 322-6 | 2 | Screw-HH | 22 | 106-8933 | 2 | Spring-Extension |
| 7 | 1-633545 | 2 | Spacer | 23 | 105-1132-03 | 1 | Arm-Idler |
| 8 | 1-633630 | 2 | Grommet | 24 | 126-1963 | 2 | Bushing-Pivot |
| 9 | 107-3382 | 1 | Strap-Clutch | 25 | 105-1172 | 1 | Tube-Pivot, Idler |
| 10 | 105-0975 | 1 | Jackshaft | 26 | 3296-23 | 4 | Nut-Lock, NI |
| 11 | 3257-42 | 2 | Key-Woodruff | 27 | 105-0962 | 2 | Bearing-Mount, Flange |
| 12 | 140-8880 | 1 | Pulley-3V, 4 Groove | 27:1 | 3246-17 | 1 | Setscrew-HSH |
| 13 | 59-3790 | 2 | Bushing-Lock, Taper | 28 | 325-7 | 4 | Screw-HH |
| 13:1 | 3253-4 | 3 | Washer-Lock | 29 | 105-0977 | 1 | Pulley-3V |
| 13:2 | 120-6000 | 3 | Bolt-TAP, HH | 30 | 302-59 | 2 | Plug-EXT Hex Spl |
| 14 | 140-8882 | 1 | Belt-V, Banded | 34 | 3296-45 | 1 | Nut-Hex |
| 15 | 104-8301 | 2 | Nut-HF, NI | 36 | 107-3379 | 1 | Pulley |
| 16 | 105-1118-03 | 1 | Arm-Spring, Idler | | | | |



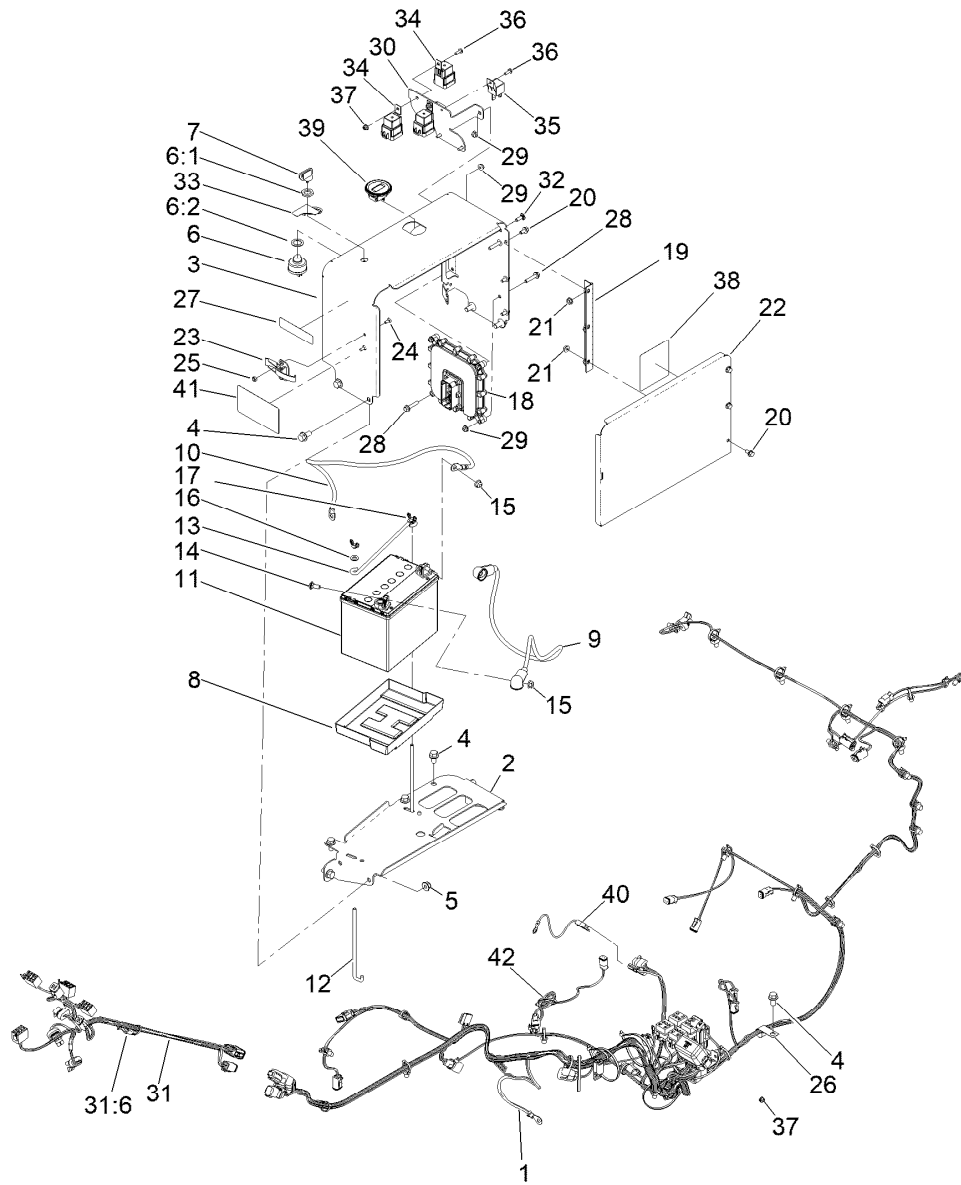
Hood Assembly

| <i>Ref.</i> | <i>Part Number</i> | <i>Qty.</i> | <i>Description</i> | <i>Ref.</i> | <i>Part Number</i> | <i>Qty.</i> | <i>Description</i> |
|-------------|--------------------|-------------|--------------------|-------------|--------------------|-------------|--------------------|
| 1 | 106-8846-03 | 1 | Frame-Hood | 9 | 3296-42 | 4 | Nut-Lock, NI |
| 2 | 115-4737-03 | 1 | Lever-Hood | 10 | 140-8780 | 1 | Hood-Front |
| 3 | 2411-41 | 1 | Rod End-Ball Joint | 11 | 100-2400 | 4 | Washer |
| 4 | 3256-22 | 2 | Washer-Flat | 12 | 321-10 | 4 | Screw-HH |
| 5 | 104-8310 | 2 | Ring-Retaining | 13 | 117-8347 | 1 | Nut-Shoulder |
| 6 | 106-8928 | 1 | Hook ASM | 14 | 117-8339 | 1 | Lanyard-3 Inch |
| 7 | 69-9140 | 1 | Link-Lever, Valve | 15 | 3234-42 | 1 | Screw-HHF |
| 8 | 3272-1 | 2 | Pin-Cotter | 16 | 3290-55 | 1 | Rivet-Pop |



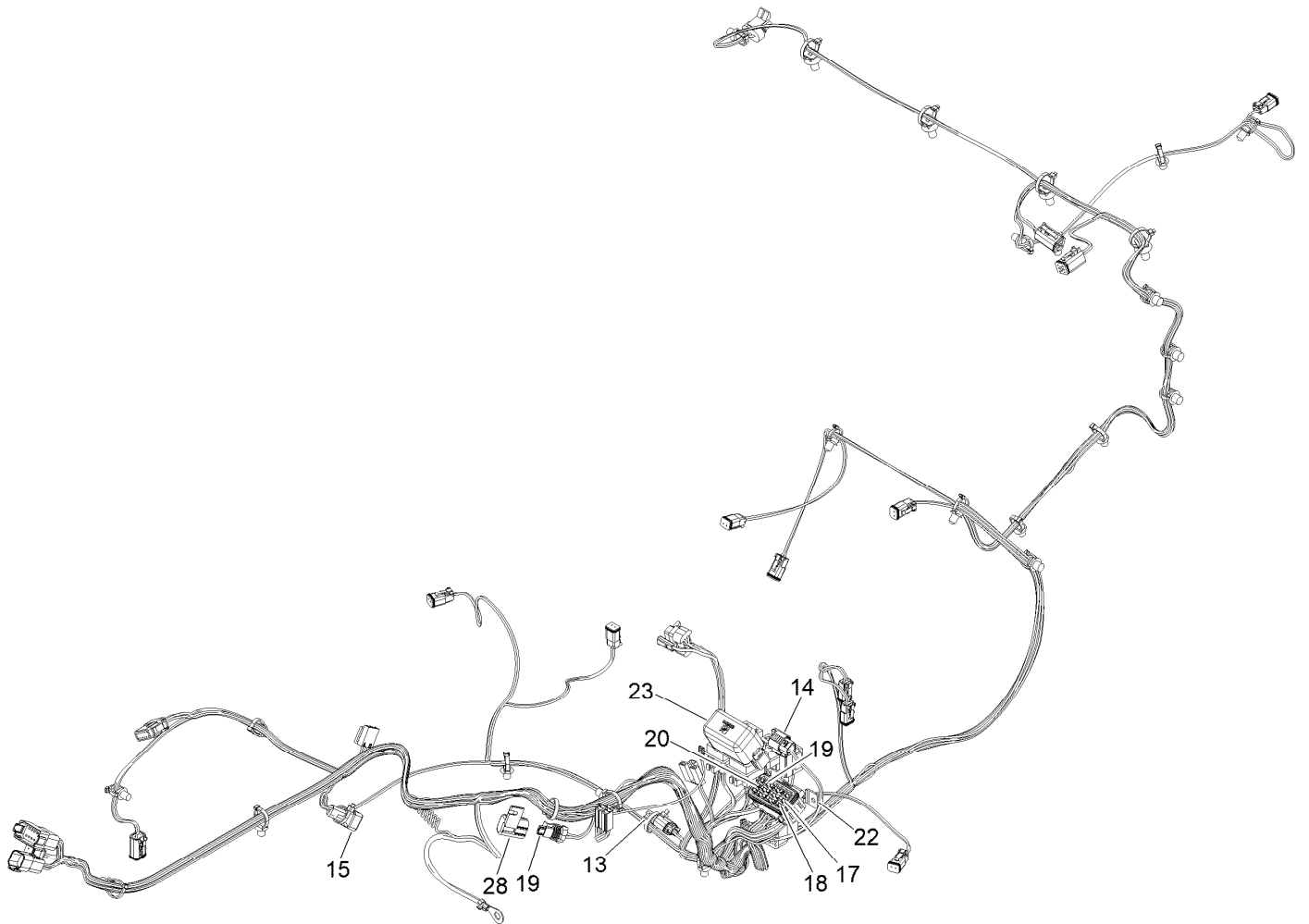
Electrical Assembly

| Ref. | Part Number | Qty. | Description | Ref. | Part Number | Qty. | Description |
|------|-------------|------|----------------------------|------|-------------|------|------------------------------|
| 1 | 122-3753 | 1 | Harness-Wire, Pc648 Main | 20 | 3234-13 | 6 | Screw-HHF |
| 2 | 140-8845-01 | 1 | Base-Battery | 21 | 32128-33 | 6 | Nut-HF |
| 3 | 140-8621-01 | 1 | Console | 22 | 140-8701-01 | 1 | Cover-Console |
| 4 | 3234-1 | 10 | Screw-HHF | 23 | 249-21 | 1 | Clamp-Slotted |
| 5 | 104-8301 | 4 | Nut-HF, NI | 24 | 104-1450 | 2 | Bolt-CARR |
| 6 | 83-0020 | 1 | Switch-Ignition | 25 | 3296-2 | 2 | Nut-Lock, NI |
| 6:1 | 218-461 | 1 | Nut-HH | 26 | 2412-150 | 1 | Clip-J |
| 6:2 | 3254-5 | 1 | Washer-Lock | 27 | 133-8062 | 1 | Decal-Spark Arrestor |
| 7 | 63-8360 | 1 | Key-Ignition | 28 | 127-8639 | 4 | Screw-HHF |
| 8 | 106948 | 1 | Tray-Battery | 29 | 104-7201 | 5 | Nut-HF, NI |
| 9 | 106-8945 | 1 | Cable-Battery, Positive | 30 | 140-8754 | 1 | Brkt-Controls |
| 10 | 106-8946 | 1 | Cable-Battery, Negative | 31 | 122-2170 | 1 | Harness-Wire, Pc648, Console |
| 11 | 99-7421 | 1 | Battery- Wet, 12V, 300 CCA | 31:6 | 32180-282 | 1 | Conn, Res, 120 Ohm |
| 12 | 100-6435 | 2 | Post-Battery | 32 | 1-807512 | 1 | Bolt-CARR |
| 13 | 100-6434 | 1 | Rod-Hold Down, Battery | 33 | 130-7360 | 1 | Decal-Ignition |
| 14 | 3230-1 | 2 | Bolt-CARR | 34 | 99-7430 | 4 | Relay-Mini |
| 15 | 104-8300 | 2 | Nut-HF, NI | 35 | 99-7435 | 1 | Relay |
| 16 | 3256-23 | 2 | Washer-Plain | 36 | 32105-23 | 5 | Screw |
| 17 | 1-543792 | 2 | Wingnut | 37 | 120-4578 | 5 | Nut-HF |
| 18 | 127-2770 | 1 | Controller | 38 | 139-8740 | 1 | Decal-Fuse |
| 19 | 106-8908 | 1 | Hinge-Console | | | | |



Electrical Assembly (continued)

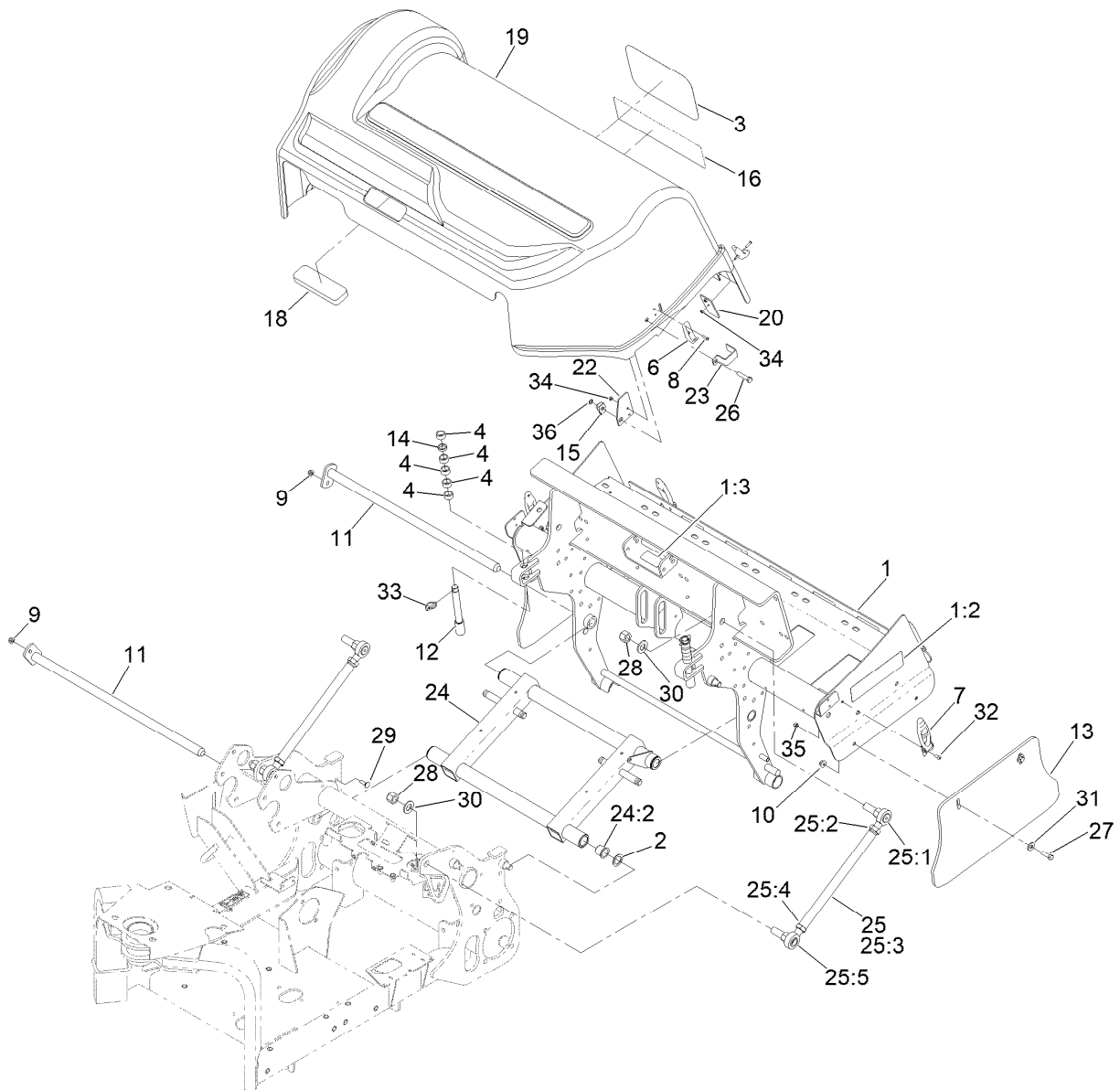
| <i>Ref.</i> | <i>Part Number</i> | <i>Qty.</i> | <i>Description</i> | <i>Ref.</i> | <i>Part Number</i> | <i>Qty.</i> | <i>Description</i> |
|-------------|--------------------|-------------|----------------------------|-------------|--------------------|-------------|-----------------------------|
| 39 | 139-8764 | 1 | Tachometer-Inductive Round | 41 | 139-8653 | 1 | Decal -Service Instructions |
| 40 | 108-9455 | 1 | Harness-Wire, Fusible Link | 42 | 3290-379 | 7 | Tie-Cable |



Wire Harness Assembly No. 122-3753

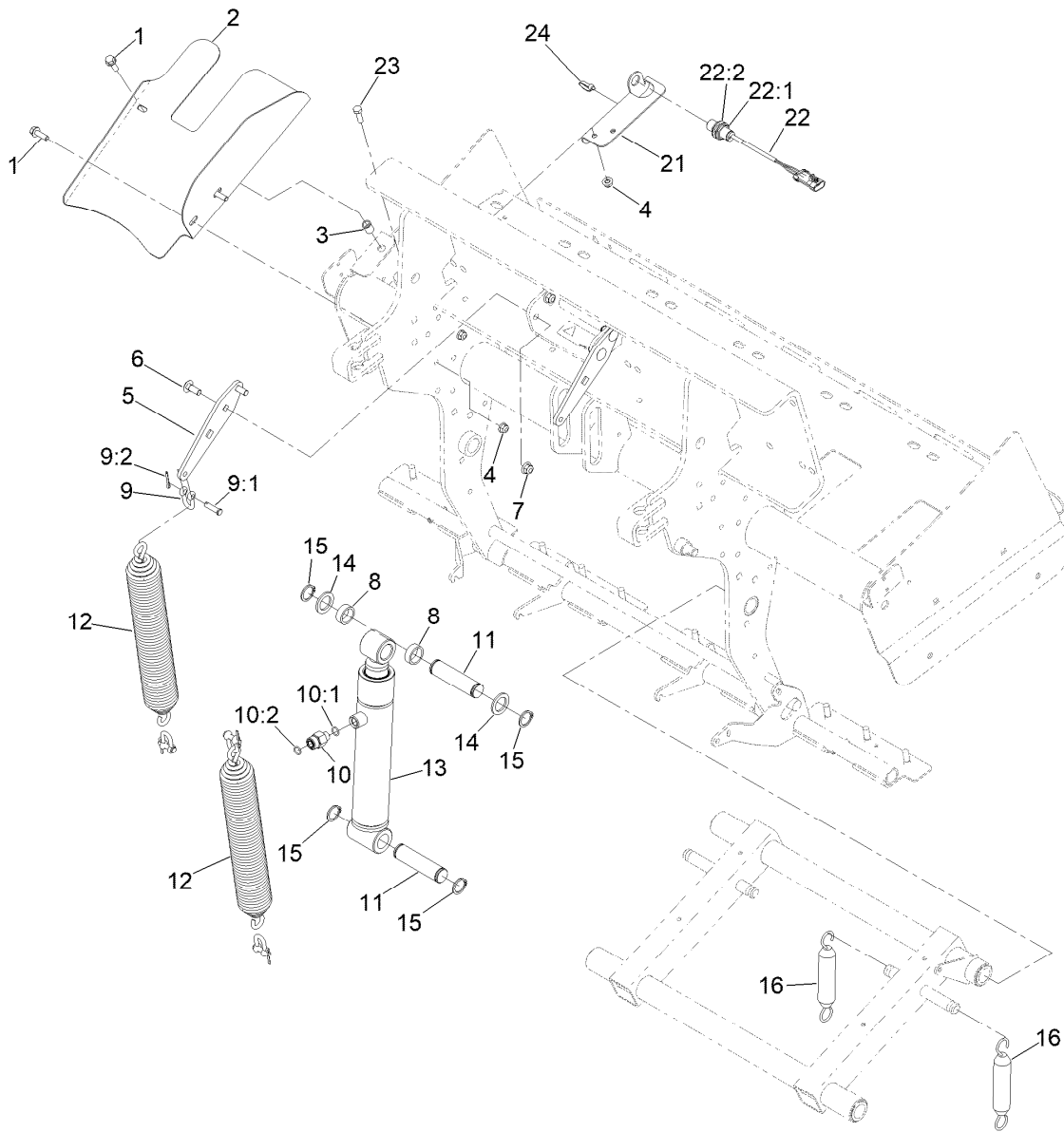
| <i>Ref.</i> | <i>Part Number</i> | <i>Qty.</i> | <i>Description</i> |
|-------------|--------------------|-------------|--------------------------|
| 13 | 32180-282 | 1 | Conn, Res, 120 Ohm |
| 14 | 32180-089 | 1 | Cap-Plug, 3 Way |
| 15 | 100-4918 | 1 | Diode |
| 17 | 121-8861 | 1 | Fuse-Mini Blade, 2 Amp |
| 18 | 121-8865 | 3 | Fuse-Mini Blade, 7.5 Amp |
| 19 | 121-8866 | 5 | Fuse-Mini Blade, 10 Amp |
| 20 | 121-8868 | 1 | Fuse-Mini Blade, 20 Amp |
| 22 | 32180-221 | 1 | Bracket |
| 23 | 32180-220 | 1 | Cover |
| 25 | 32180-091 | 4 | Cap-Dust, 2 Way ● |
| 28 | 32180-101 | 1 | Cover-Fuse, Single |

● Not illustrated



Rear Frame and Hood Assembly

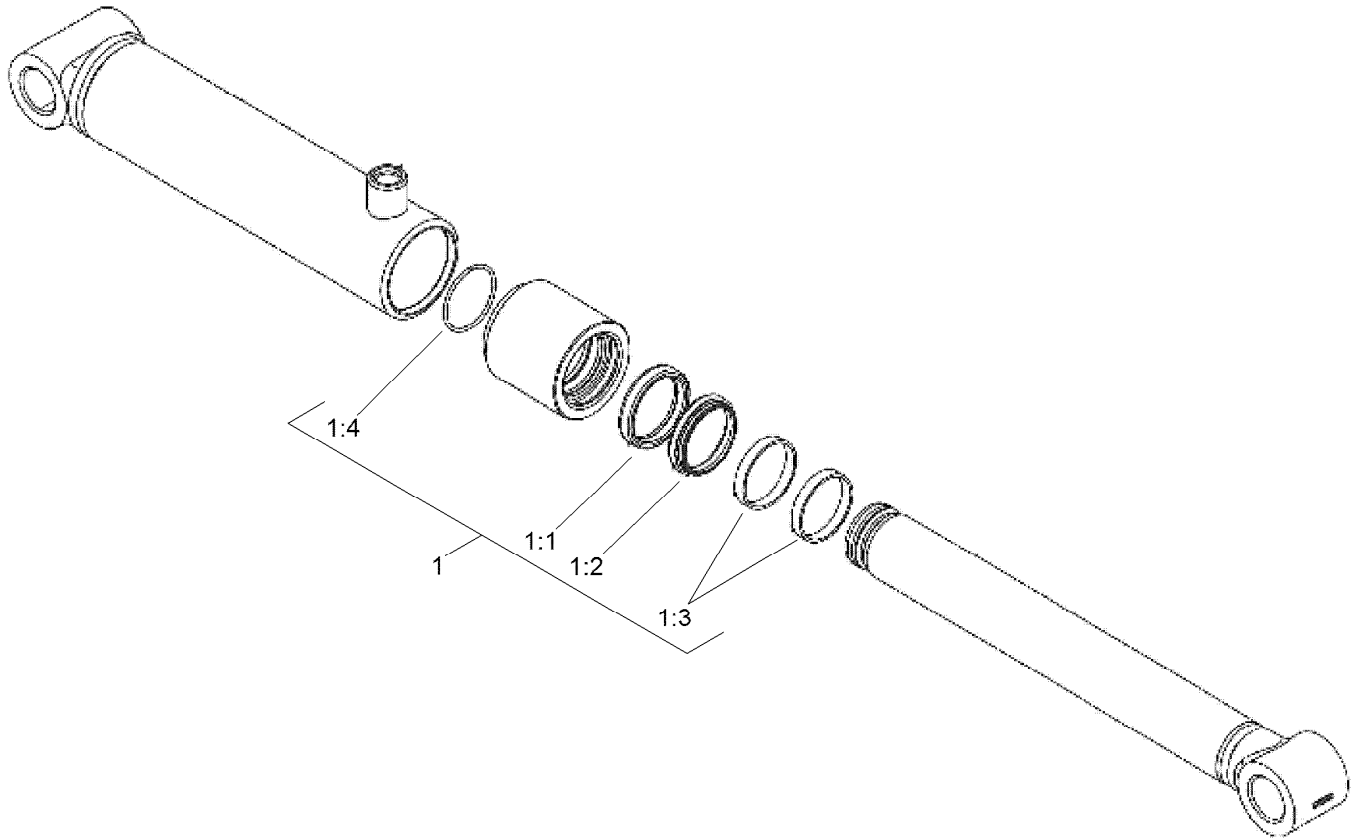
| Ref. | Part Number | Qty. | Description | Ref. | Part Number | Qty. | Description |
|------|-------------|------|------------------------|------|-------------|------|----------------|
| 1 | 140-8571 | 1 | Rear Frame ASM | 23 | 110-4673 | 2 | Lock-Latch, CE |
| 1:2 | 140-8960 | 3 | Decal-Warning, Procore | 24 | 139-7991 | 1 | H-Frame ASM |
| 1:3 | 93-6696 | 1 | Decal-Warning | 24:2 | 126-1963 | 4 | Bushing-Pivot |
| 2 | 10-8110 | 4 | Washer-Thrust | 25 | 114-2702 | 2 | Link ASM |
| 3 | 67-7310 | 1 | Decal | 25:1 | 105-1025 | 1 | End-Rod |
| 4 | 74-3730 | 10 | Spacer-Spindle, Rear | 25:2 | 3220-17 | 1 | Nut-Jam, LH |
| 6 | 103-2897 | 4 | Latch-Catch | 25:3 | 105-1007 | 1 | Link-Upper |
| 7 | 103-2898 | 4 | Latch-Rubber | 25:4 | 3220-7 | 1 | Nut-Jam |
| 8 | 104-2408 | 8 | Screw-HSBH | 25:5 | 2411-40 | 1 | End-Rod |
| 9 | 104-8300 | 2 | Nut-HF, NI | 26 | 323-53 | 2 | Screw-HH |
| 10 | 104-8301 | 4 | Nut-HF, NI | 27 | 323-7 | 4 | Screw-HH |
| 11 | 105-0950 | 2 | Pivot Shaft ASM | 28 | 3296-50 | 4 | Nut-Lock, NI |
| 12 | 105-1004 | 2 | Pin-Stop, Depth | 29 | 3230-2 | 2 | Bolt-CARR |
| 13 | 105-1069 | 2 | Shield-Side | 30 | 92-5836 | 4 | Washer |
| 14 | 105-3828 | 2 | Spacer | 31 | 3256-4 | 4 | Washer-Flat |
| 15 | 105-4886 | 2 | Nut-Tinnerman | 32 | 3274-31 | 4 | Screw-HSBH |
| 16 | 140-8964 | 1 | Decal-Procore 648S | 33 | 3290-495 | 2 | Pin-Klik |
| 18 | 107-7507 | 3 | Pad-Foam | 34 | 3296-2 | 8 | Nut-Lock, NI |
| 19 | 144-9858 | 1 | Hood - Rear | 35 | 3296-42 | 4 | Nut-Lock, NI |
| 20 | 110-1499 | 2 | Plate-Reinforcement | 36 | 32151-72 | 2 | Ring-Retaining |
| 22 | 110-4672 | 2 | Plate-Reinforcement | | | | |



Belt Shield Assembly

| Ref. | Part Number | Qty. | Description |
|------|-------------|------|-----------------------|
| 1 | 3234-17 | 3 | Screw-HHF |
| 2 | 105-1092-01 | 1 | Shield-Top, Belt |
| 3 | 32148-7 | 1 | Nut-Clinch |
| 4 | 104-8300 | 4 | Nut-HF, NI |
| 5 | 105-1190-01 | 2 | Plate-Tension, Spring |
| 6 | 3231-2 | 4 | Bolt-CARR |
| 7 | 104-8301 | 4 | Nut-HF, NI |
| 8 | 88-7530 | 2 | Spacer |
| 9 | 282-4 | 4 | Shackle |
| 9:1 | 283-6 | 1 | Pin-Clevis |
| 9:2 | 3272-11 | 1 | Pin-Cotter |
| 10 | 340-5 | 1 | Fitting-Straight |
| 10:1 | 237-42 | 1 | O-Ring |
| 10:2 | 237-30 | 1 | O-Ring |

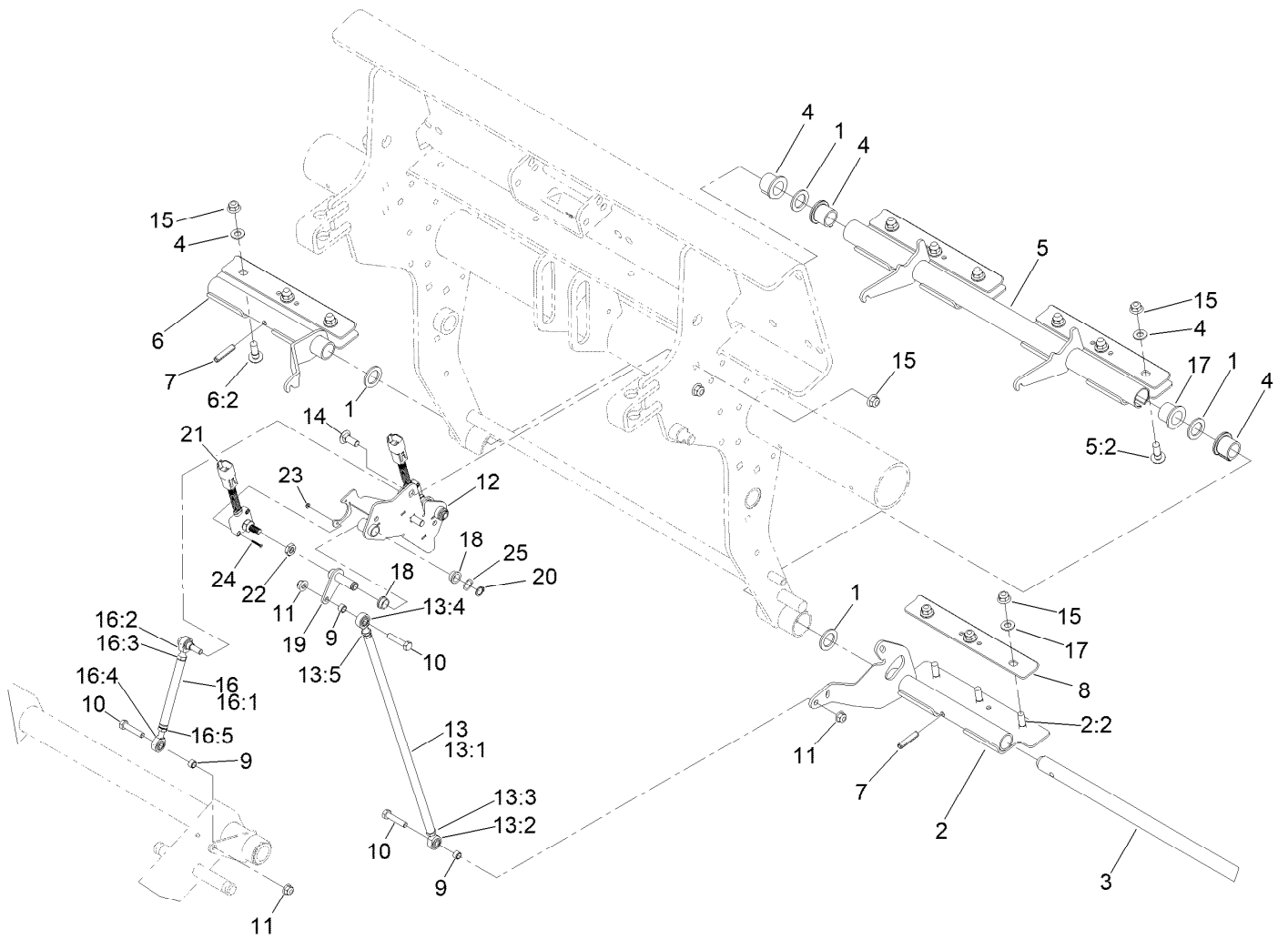
| Ref. | Part Number | Qty. | Description |
|------|-------------|------|---------------------------------|
| 11 | 105-1031 | 2 | Pin-Cylinder |
| 12 | 105-1156-03 | 2 | Spring-Extention |
| 13 | 140-2205 | 1 | Cylinder-Hydraulic |
| 14 | 256-115 | 2 | Washer-Thrust |
| 15 | 32151-36 | 4 | Ring-Retaining |
| 16 | 66-4270 | 2 | Spring-Extension |
| 21 | 140-2277 | 1 | Bracket-Sensor |
| 22 | 115-0282 | 1 | Sensor, Proximity Sensor ASM |
| 22:1 | 117-3207 | 2 | Nut-Hex |
| 22:2 | 117-3208 | 2 | Washer-Lock, Internal Tooth |
| 23 | 322-5 | 2 | Screw-HH |
| 24 | 3290-378 | 1 | Tie-Cable |



Hydraulic Cylinder Assembly No. 140-2205

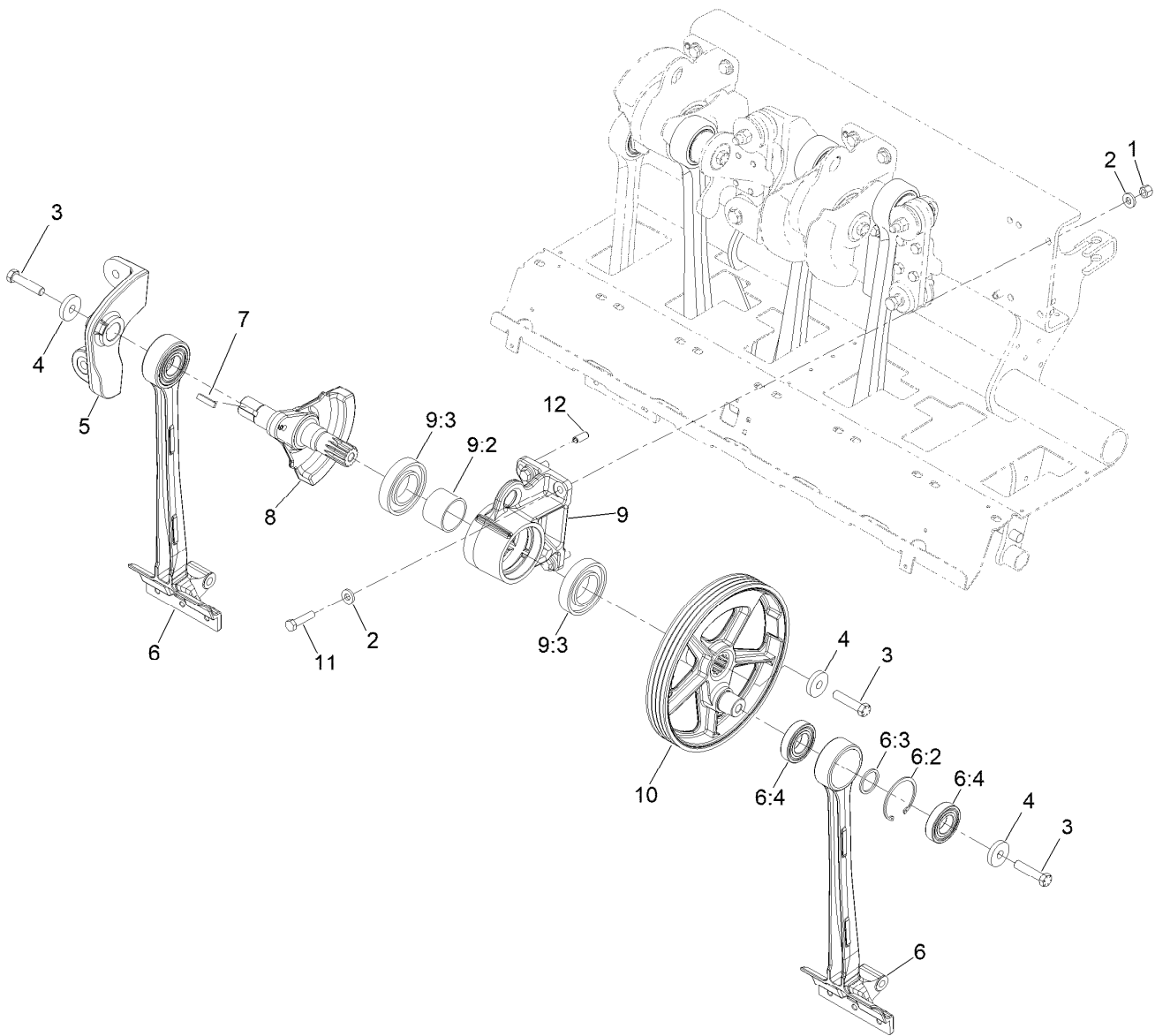
| <i>Ref.</i> | <i>Part Number</i> | <i>Qty.</i> | <i>Description</i> |
|-------------|--------------------|-------------|--------------------|
| 1 | 140-2207 | 1 | Seal Kit |
| 1:1 | | 1 | Rod Seal ● |
| 1:2 | | 1 | Rod Wiper ● |
| 1:3 | | 2 | Wear Ring ● |
| 1:4 | | 1 | Wire Ring ● |

● Not serviced separately



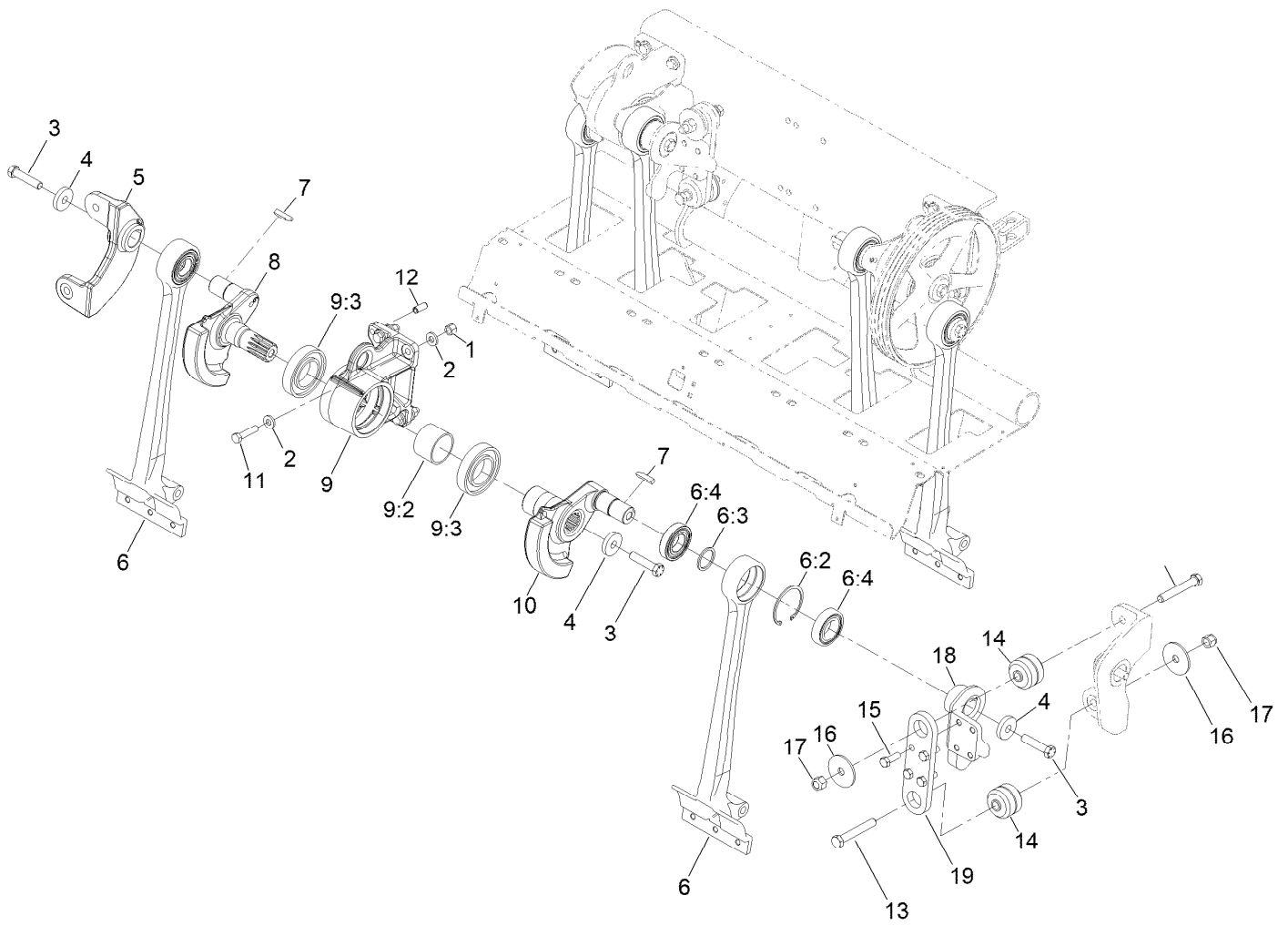
Turf Guard Mount Assembly

| Ref. | Part Number | Qty. | Description | Ref. | Part Number | Qty. | Description |
|------|-------------|------|--------------------------------|------|-------------|------|--|
| 1 | 3-7898 | 4 | Washer-Thrust | 13:4 | 2411-53 | 1 | Bearing-Rod End, LH |
| 2 | 140-6451 | 1 | Bracket ASM-Turf Guard, LH | 13:5 | 3220-20 | 1 | Nut-Jam |
| 2:2 | 125-3318 | 3 | Screw-Neck, Rib | 14 | 3231-2 | 2 | Bolt-CARR |
| 3 | 105-1024 | 1 | Shaft-Guard, Turf | 15 | 104-8301 | 14 | Nut-HF, NI |
| 4 | 107-7581 | 4 | Bushing-Flange, Keyed | 16 | 140-8619 | 1 | Control Rod ASM |
| 5 | 140-6460 | 1 | Bracket ASM-Turf Guard, Center | 16:1 | 140-8618 | 1 | Rod-Control, Sensor |
| 5:2 | 125-3318 | 6 | Screw-Neck, Rib | 16:2 | 2411-52 | 1 | Bearing-Rod End, RH |
| 6 | 140-6450 | 1 | Bracket ASM-Turf Guard, RH | 16:3 | 3220-2 | 1 | Nut-Hex Jam |
| 6:2 | 125-3318 | 3 | Screw-Neck, Rib | 16:4 | 2411-53 | 1 | Bearing-Rod End, LH |
| 7 | 32121-25 | 2 | Pin-Roll | 16:5 | 3220-20 | 1 | Nut-Jam |
| 8 | 110-4274-03 | 4 | Clamp-Guard, Turf | 17 | 3256-24 | 12 | Washer-Plain |
| 9 | 92-3133 | 4 | Spacer-Lever, Traction | 18 | 256-156 | 4 | Bushing-Flange |
| 10 | 322-7 | 4 | Screw-HH | 19 | 139-7999 | 2 | Lever ASM |
| 11 | 104-8300 | 4 | Nut-HF, NI | 20 | 32151-61 | 2 | Ring-Retaining |
| 12 | 140-8661-01 | 1 | Sensor Bracket ASM | 21 | 122-0914 | 2 | Sensor-Rotary, Body/Magnet Matched Set |
| 13 | 140-2252 | 1 | Control Rod ASM | 22 | 112-8617 | 2 | Nut-Hex |
| 13:1 | 139-7994 | 1 | Rod-Control, Depth | 23 | 3296-52 | 4 | Nut-Lock, NI |
| 13:2 | 2411-52 | 1 | Bearing-Rod End, RH | 24 | 140-8959 | 4 | Screw-Fht |
| 13:3 | 3220-2 | 1 | Nut-Hex Jam | 25 | 108473 | 2 | Washer-Wave |



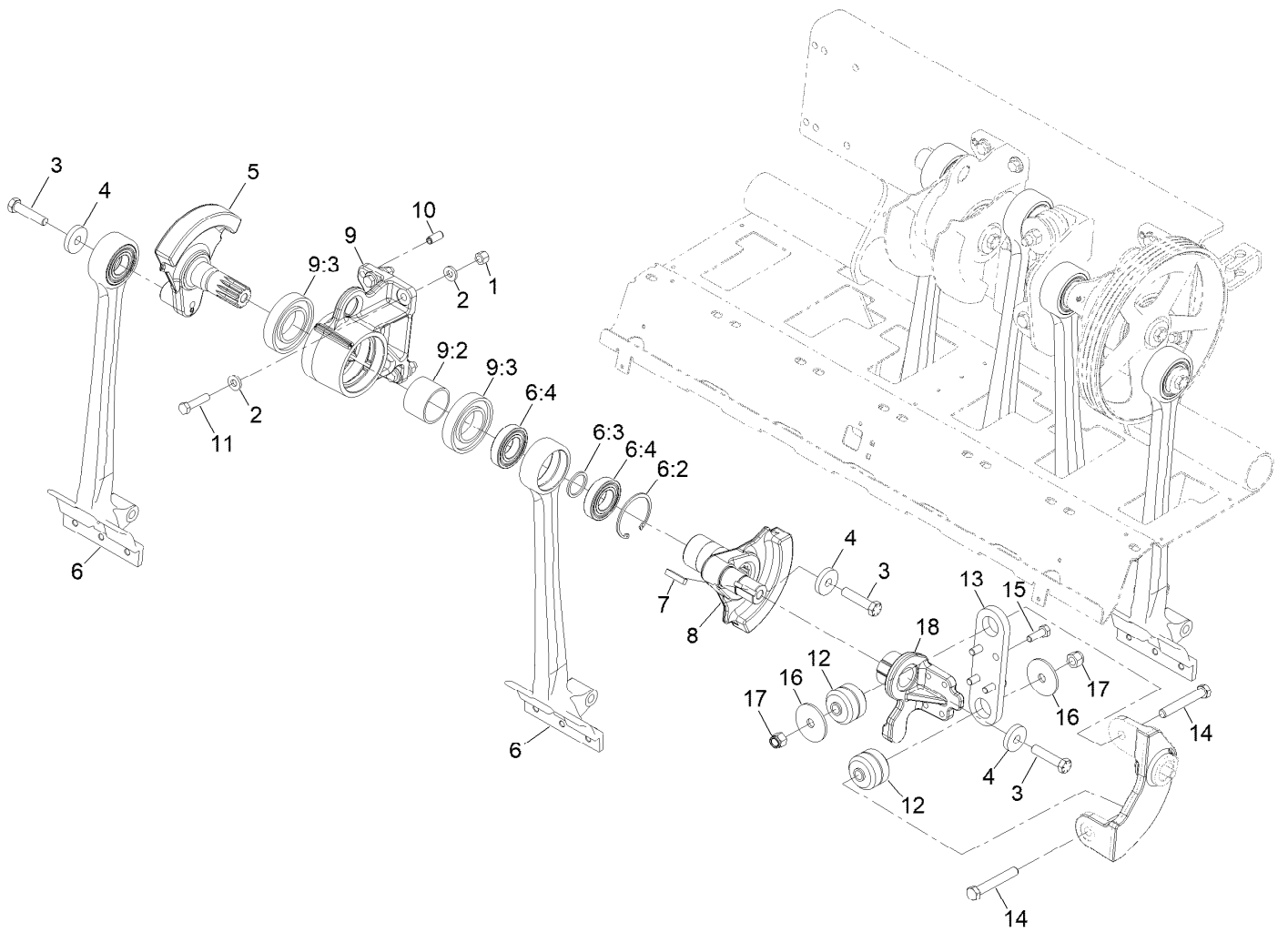
RH Crankarm Assembly

| <i>Ref.</i> | <i>Part Number</i> | <i>Qty.</i> | <i>Description</i> | <i>Ref.</i> | <i>Part Number</i> | <i>Qty.</i> | <i>Description</i> |
|-------------|--------------------|-------------|--------------------------|-------------|--------------------|-------------|----------------------|
| 1 | 3296-23 | 4 | Nut-Lock, NI | 7 | 110-4546 | 1 | Key-Square |
| 2 | 107-3395 | 8 | Washer-Hardened | 8 | 110-4571 | 1 | Crankarm-No. 2, 4, 6 |
| 3 | 110-4614 | 3 | Screw-HH | 9 | 115-4703 | 1 | Housing ASM |
| 4 | 105-1016 | 3 | Washer-Hardened | 9:2 | 105-1017 | 1 | Spacer |
| 5 | 110-4567 | 1 | Coupling-No. 2 | 9:3 | 105-0965 | 2 | Bearing-Ball |
| 6 | 140-8809 | 2 | Stomper Arm ASM | 10 | 114-1458 | 1 | Pulley-Crankshaft |
| 6:2 | 32151-76 | 1 | Ring-Retaining, Internal | 11 | 325-9 | 4 | Screw-HH |
| 6:3 | 110-4557 | 1 | Spacer-Bearing | 12 | 105-1041 | 2 | Pin-Spring |
| 6:4 | 140-8808 | 2 | Bearing | | | | |



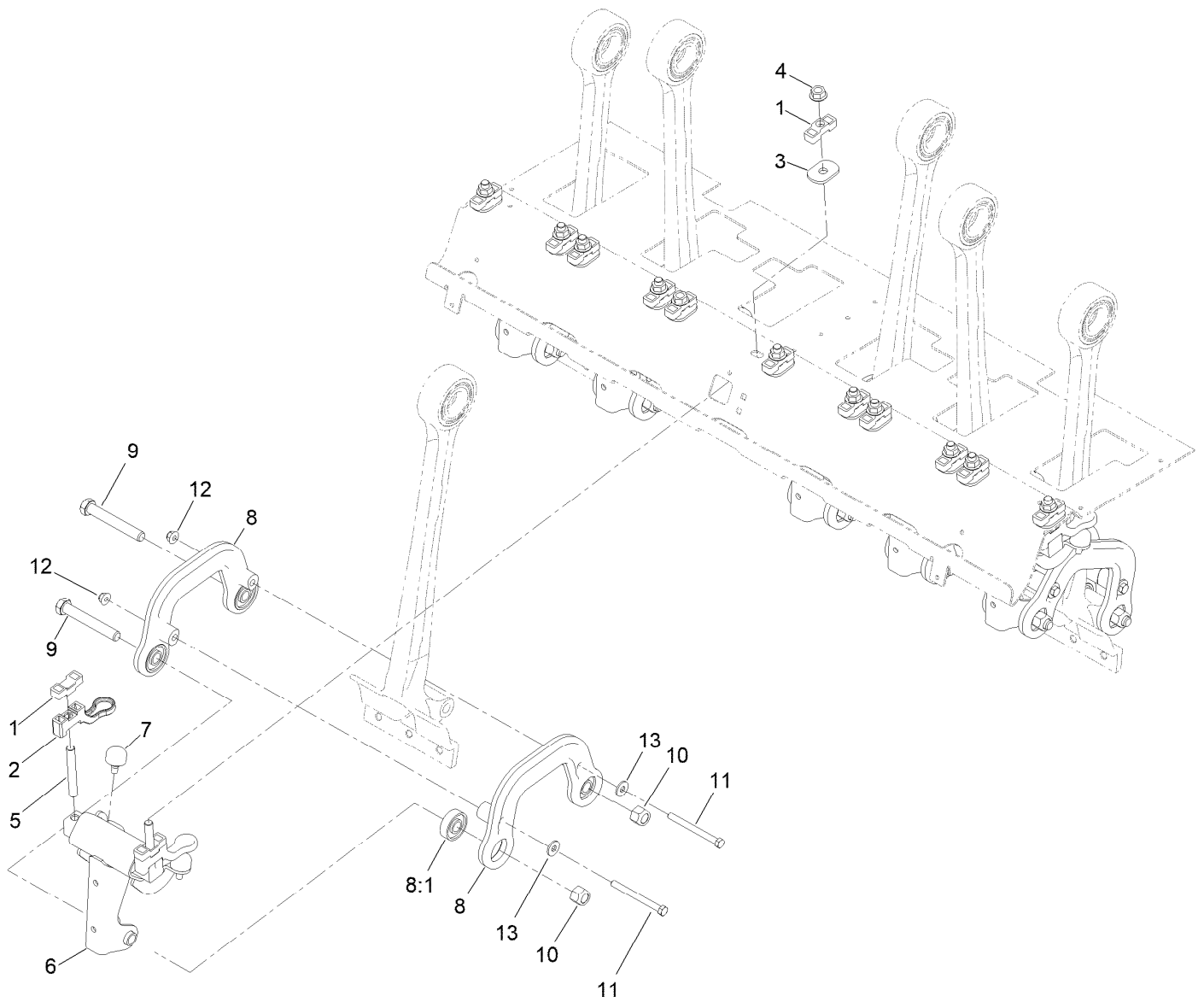
Center Crankarm Assembly

| <i>Ref.</i> | <i>Part Number</i> | <i>Qty.</i> | <i>Description</i> | <i>Ref.</i> | <i>Part Number</i> | <i>Qty.</i> | <i>Description</i> |
|-------------|--------------------|-------------|--------------------------|-------------|--------------------|-------------|----------------------|
| 1 | 3296-23 | 4 | Nut-Lock, NI | 9:2 | 105-1017 | 1 | Spacer |
| 2 | 107-3395 | 8 | Washer-Hardened | 9:3 | 105-0965 | 2 | Bearing-Ball |
| 3 | 110-4614 | 3 | Screw-HH | 10 | 110-4572 | 1 | Crankarm-No. 3, 5, 7 |
| 4 | 105-1016 | 3 | Washer-Hardened | 11 | 325-9 | 4 | Screw-HH |
| 5 | 110-4569 | 1 | Coupling-No.4 | 12 | 105-1041 | 2 | Pin-Spring |
| 6 | 140-8809 | 2 | Stomper Arm ASM | 13 | 327-29 | 2 | Screw-HH |
| 6:2 | 32151-76 | 1 | Ring-Retaining, Internal | 14 | 105-0963 | 2 | Mount-ISO, Crank |
| 6:3 | 110-4557 | 1 | Spacer-Bearing | 15 | 325-6 | 4 | Screw-HH |
| 6:4 | 140-8808 | 2 | Bearing | 16 | 110-4549 | 2 | Washer-Snubbing |
| 7 | 110-4546 | 2 | Key-Square | 17 | 3296-53 | 2 | Nut-Lock, NI |
| 8 | 110-4571 | 1 | Crankarm-No. 2, 4, 6 | 18 | 110-4568 | 1 | Coupling-No. 3 |
| 9 | 115-4703 | 1 | Housing ASM | 19 | 105-0974-03 | 1 | Plate-Coupling |



LH Crankarm Assembly

| <i>Ref.</i> | <i>Part Number</i> | <i>Qty.</i> | <i>Description</i> | <i>Ref.</i> | <i>Part Number</i> | <i>Qty.</i> | <i>Description</i> |
|-------------|--------------------|-------------|--------------------------|-------------|--------------------|-------------|--------------------|
| 1 | 3296-23 | 4 | Nut-Lock, NI | 9:2 | 105-1017 | 1 | Spacer |
| 2 | 107-3395 | 8 | Washer-Hardened | 9:3 | 105-0965 | 2 | Bearing-Ball |
| 3 | 110-4614 | 3 | Screw-HH | 10 | 105-1041 | 2 | Pin-Spring |
| 4 | 105-1016 | 3 | Washer-Hardened | 11 | 325-9 | 4 | Screw-HH |
| 5 | 110-4576 | 1 | Crankarm-No.6 | 12 | 105-0963 | 2 | Mount-ISO, Crank |
| 6 | 140-8809 | 2 | Stomper Arm ASM | 13 | 105-0974-03 | 1 | Plate-Coupling |
| 6:2 | 32151-76 | 1 | Ring-Retaining, Internal | 14 | 327-29 | 2 | Screw-HH |
| 6:3 | 110-4557 | 1 | Spacer-Bearing | 15 | 325-6 | 4 | Screw-HH |
| 6:4 | 140-8808 | 2 | Bearing | 16 | 110-4549 | 2 | Washer-Snubbing |
| 7 | 110-4546 | 1 | Key-Square | 17 | 3296-53 | 2 | Nut-Lock, NI |
| 8 | 110-4572 | 1 | Crankarm-No. 3, 5, 7 | 18 | 110-4570 | 1 | Coupling-No.5 |
| 9 | 115-4703 | 1 | Housing ASM | | | | |



Damper Link Assembly

| Ref. | Part Number | Qty. | Description |
|------|-------------|------|-------------------|
| 1 | 110-4507 | 24 | Standoff-Rotolink |
| 2 | 110-4506 | 12 | Bumper-Rotolink |
| 3 | 107-7543 | 12 | Washer-Hardened |
| 4 | 32128-23 | 12 | Nut-HF |
| 5 | 110-4504 | 12 | Stud |
| 6 | 106-8922 | 6 | Damper |
| 7 | 87-2440 | 12 | Bumper-Rubber |
| 8 | 140-6194 | 12 | Link ASM-Damper |
| 8:1 | 251-311 | 2 | Bearing-Ball |
| 9 | 327-29 | 12 | Screw-HH |
| 10 | 3296-53 | 12 | Nut-Lock, NI |
| 11 | 323-16 | 12 | Screw-HH |
| 12 | 104-8301 | 12 | Nut-HF, NI |
| 13 | 80-6990 | 12 | Washer-Hardened |

Attachments and Accessories

For 09960C — ProCore 648s Aerator

| Product Name | Model/Part |
|---|-------------------|
| Windrower Kit | 09220 |
| Tire Scraper Kit..... | 09225 |
| Rear Roller Kit | 09234 |
| Four-Tine Head Quick Lock | 09719 |
| 2 x 5 Mini Tine Head | 09736 |
| 1 x 6 Mini Tine Head | 09737 |
| Needle Tine Head..... | 09739 |
| 3/4in Three-Tine Head..... | 09794 |
| 3/4in Four-Tine Head..... | 09796 |
| 7/8in Three-Tine Head..... | 09797 |
| Light Kit-Procore 648s (09960)..... | 09962 |
| Yellow Hydraulic Fluid Cap (Tethered)..... | 107-2174 |
| Premium All Purpose Grease (Tube)..... | 108-1190 |
| Wireless Hourmeter..... | 115-4754 |
| Inline Fuel Filter | 115-7854 |
| Turf Guard 3 Tine (Short) | 120-1044 |
| Turf Guard 4 Tine (Short) | 120-1045 |
| 4-Tine Turf Guard (long) | 120-1046 |
| Turf Guard 5 Tine (Short)..... | 120-1047 |
| Turf Guard 6 Tine (Short)..... | 120-1050 |
| 3-Tine Turf Guard (long) | 120-1051 |
| 5-Tine Turf Guard (long) | 120-1052 |
| 6-Tine Turf Guard (long) | 120-1053 |
| Premium Engine Oil 10w30 (55 Gallon Drum) | 121-6392 |
| Premium Engine Oil 10w30 (5 Gallon Pail) | 121-6393 |
| Head Bearing Kit..... | 131-4876 |
| PX Hydraulic Fluid (5 Gal) | 133-8086 |
| PX Hydraulic Fluid (55 Gal)..... | 133-8087 |
| Toro Red 12oz Aerosol Can..... | 361-10 |
| New Red Paint - Gallon | 361-11 |
| Dark Metallic Gray Aerosol Paint | 361-12 |
| Semi-Gloss Black Spray Paint..... | 361-9 |
| Air Dry Red Paint - Qt | 5340 |
| Exhaust Silencer Screen | 93-9911 |

Notes:



Count on it.