



Count on it.

Parts Catalog

Sand Pro® 3040

Traction Unit

Model No. 08743—Serial No. 420500000 and Up



Ordering Replacement Parts

To order replacement parts, please supply the part number, the quantity, and the description of each part desired.

Understanding Reference Numbers

Each identified part in an illustration has a reference number. The reference number for a part also appears in the parts list, along with other information about the part.

This catalog uses two special reference number formats, one to indicate parts in a service assembly and another to indicate the quantity of a given part in an illustration.

Service Assembly Reference Numbers

Parts in service assemblies have reference numbers in the form a:b. The a represents the reference number of the entire service assembly and the b represents a sequential number unique to each part within the service assembly.

For example, a wheel assembly might be identified by reference number 6, the tire by 6:1, the valve by 6:2, and the wheel by 6:3. When you order the assembly identified by reference number 6, you receive all parts identified by reference numbers 6:1, 6:2, and 6:3. However, you may also order any part individually. Reference numbers of this type appear in illustration and in parts lists.

Reference Numbers Indicating Quantity

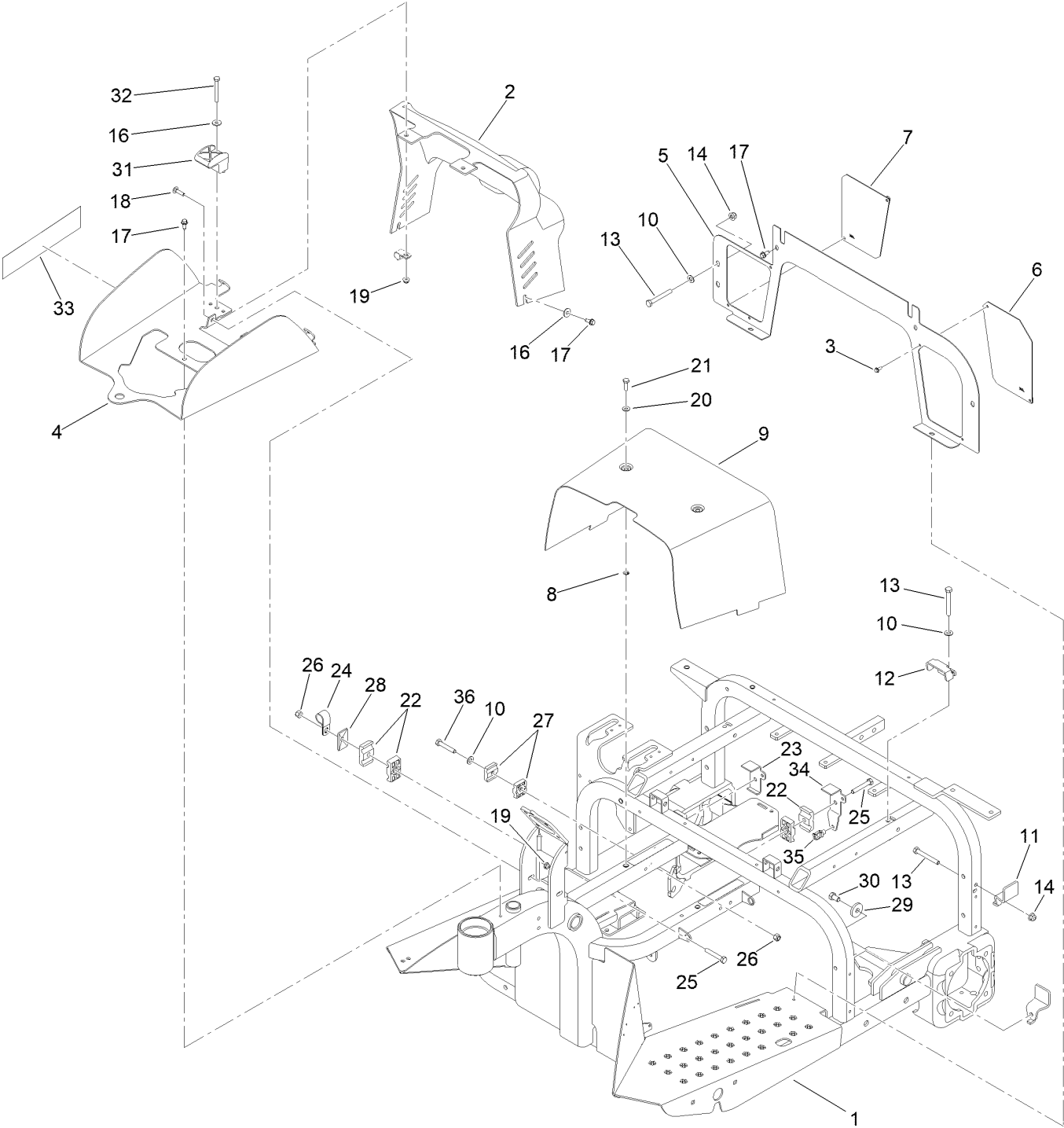
In an illustration, if a reference number indicates more than one part, the reference number has the form nX y. The n represents the quantity of the part, the X is the multiplication symbol, and the y represents the reference number.

For example, in an illustration, the reference number 2X 37 means that two of the parts identified by reference number 37 are indicated.

Contents

| | |
|---|----|
| Frame and Shroud Assembly | 4 |
| Frame Assembly No. 140-0295SP | 6 |
| Body and Seat Assembly | 8 |
| Seat Assembly No. 144-1350 | 10 |
| Fuel System Assembly | 12 |
| Hydraulic Pump, Tank and Cooler Assembly | 14 |
| Variable Piston Pump Assembly No. 138-9132 | 16 |
| Traction Control Assembly | 18 |
| Rear Lift and Lift Circuit Assembly | 20 |
| Hydraulic Lift Cylinder Assembly No. 115-5647 | 22 |
| Hydraulic Valve Assembly No. 121-9070 | 24 |
| Lift Hydraulic Routing Assembly | 26 |
| Rear Wheel Assembly | 28 |
| Hydraulic Motor Assembly No. 108-2947 | 30 |
| Hydraulic Motor Assembly No. 108-2949 | 32 |
| Front Wheel Assembly | 34 |
| Hydraulic Motor Assembly No. 108-2948 | 36 |
| Steering Assembly | 38 |
| Steering Box Assembly No. 107-3526 | 40 |
| Engine Installation Assembly | 42 |
| Air Cleaner Assembly No. 93-2190 | 44 |
| Electrical and Console Assembly | 46 |
| Vehicle Tracker Assembly | 48 |
| Attachments and Accessories | 50 |

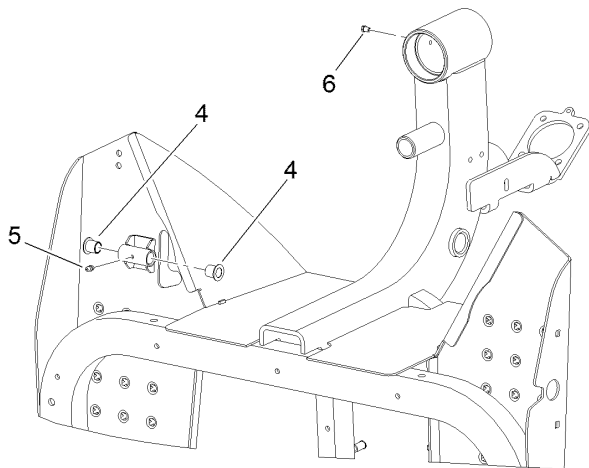
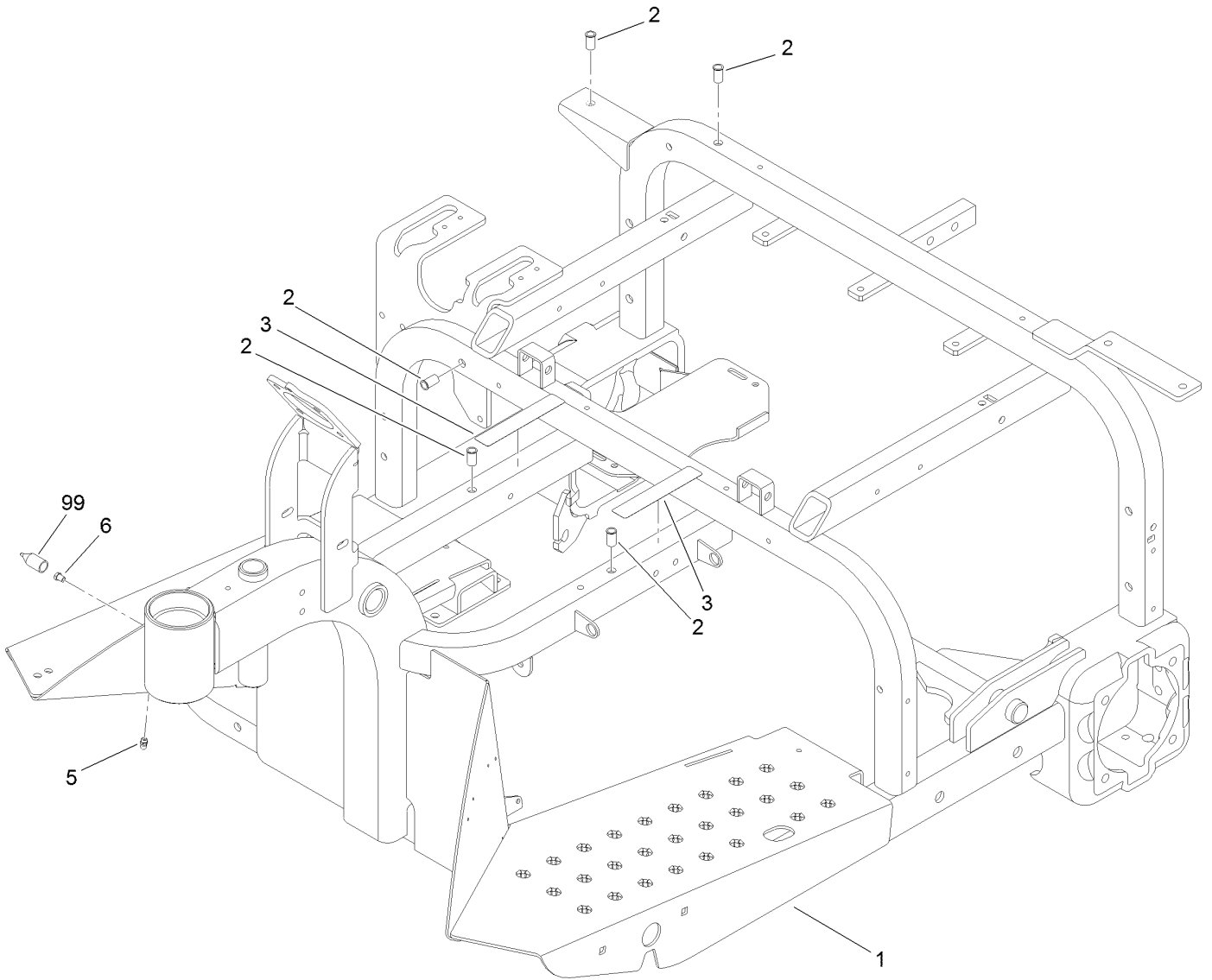
Frame and Shroud Assembly



Frame and Shroud Assembly (continued)

| <i>Ref.</i> | <i>Part Number</i> | <i>Qty.</i> | <i>Description</i> | <i>Ref.</i> | <i>Part Number</i> | <i>Qty.</i> | <i>Description</i> |
|-------------|--------------------|-------------|---------------------|-------------|--------------------|-------------|--------------------|
| 1 | 140-0295SP | 1 | Frame ASM | 20 | 3256-1 | 2 | Washer-Flat |
| 2 | 108-6898 | 1 | Shroud-Dash | 21 | 321-5 | 2 | Screw-HH |
| 3 | 3290-321 | 4 | Screw-HWH | 22 | 56-7976 | 6 | Clamp-Tube |
| 4 | 108-6895-01 | 1 | Bracket-Mount, Tank | 23 | 110-1333 | 1 | Bracket-Clamp |
| 5 | 112-1443-01 | 1 | Panel-Front | 24 | 2412-4 | 1 | Clamp-R |
| 6 | 120-3491-01 | 1 | Screen-Panel, LH | 25 | 322-10 | 3 | Screw-HH |
| 7 | 120-3492-01 | 1 | Screen-Panel, RH | 26 | 3296-29 | 4 | Nut-Lock, NI |
| 8 | 32115-15 | 2 | Nut-Push | 27 | 56-7973 | 2 | Clamp-Tube |
| 9 | 108-6859-01 | 1 | Shroud-Center | 28 | 69-9760 | 1 | Plate-Cover |
| 10 | 3256-23 | 6 | Washer-Plain | 29 | 53-6380 | 1 | Washer-Flat |
| 11 | 108-7965 | 2 | Clamp-Tank, HYD | 30 | 323-34 | 1 | Screw-HH |
| 12 | 108-7903 | 1 | Clamp-Tank | 31 | 107-4543 | 2 | Clamp |
| 13 | 322-12 | 5 | Screw-HH | 32 | 321-18 | 2 | Screw-HH |
| 14 | 119-4041 | 5 | Nut-HF | 33 | 108-8420 | 2 | Decal |
| 16 | 3256-78 | 4 | Washer-Flat | 34 | 110-1332 | 1 | Bracket-Clamp |
| 17 | 32144-10 | 7 | Screw-HWH | 35 | 32180-030 | 1 | Clip-Tie |
| 18 | 3229-2 | 2 | Screw-CARR | 36 | 322-7 | 1 | Screw-HH |
| 19 | 104-7201 | 4 | Nut-HF, NI | | | | |

Frame Assembly No. 140-0295SP

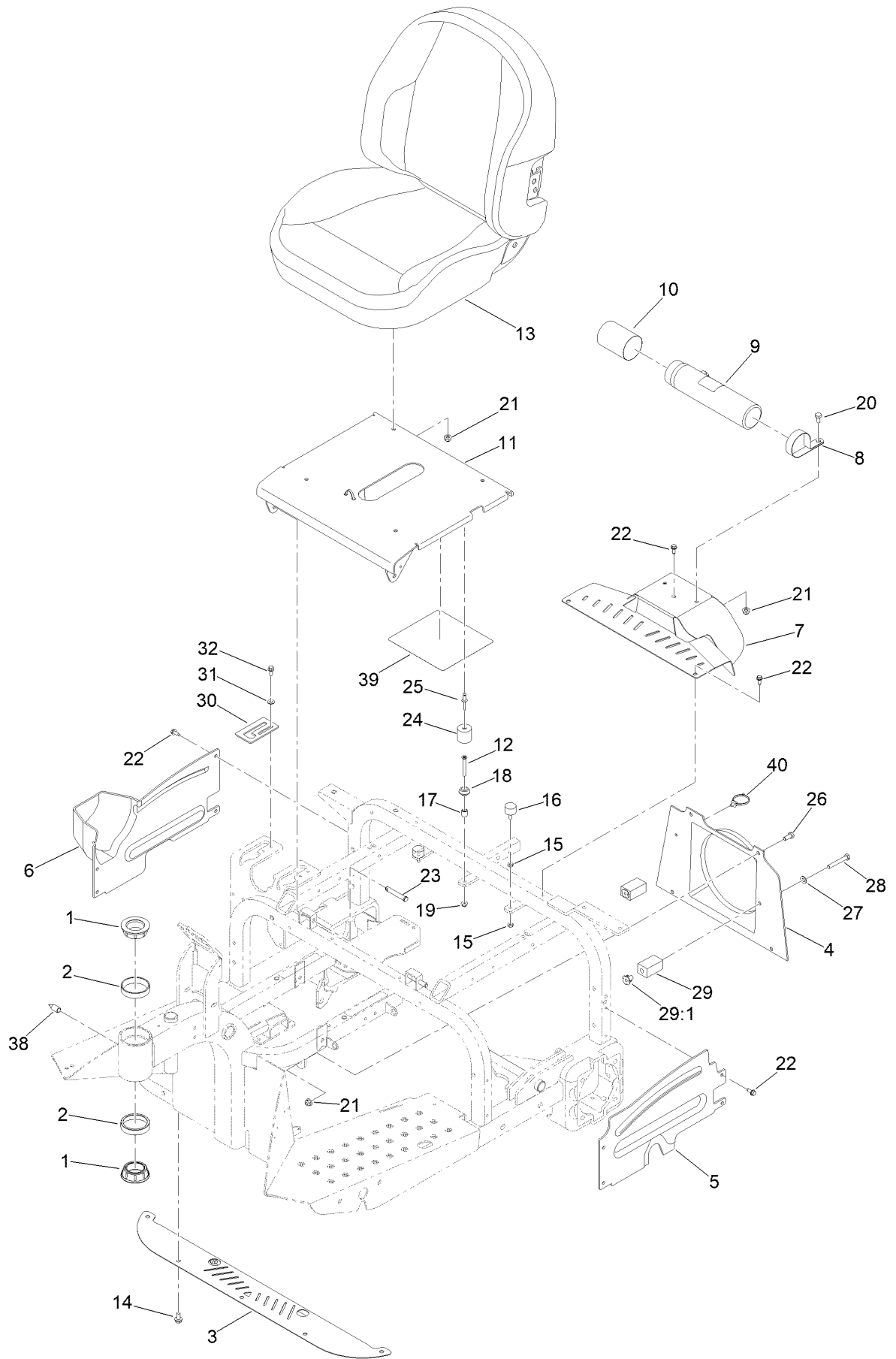


Frame Assembly No. 140-0295SP (continued)

| <i>Ref.</i> | <i>Part Number</i> | <i>Qty.</i> | <i>Description</i> | <i>Ref.</i> | <i>Part Number</i> | <i>Qty.</i> | <i>Description</i> |
|-------------|--------------------|-------------|--------------------|-------------|--------------------|-------------|--------------------|
| 1 | | 1 | Frame ASM ● | 5 | 302-58 | 1 | Fitting-Straight |
| 2 | 32148-11 | 5 | Nut-Clinch | 6 | 107-1997 | 1 | Fitting-Grease |
| 3 | 93-7272 | 2 | Decal-Warning | 99 | 107-1998 | 1 | Nozzle-Grease |
| 4 | 256-219 | 2 | Bushing | | | | |

● Not serviced separately

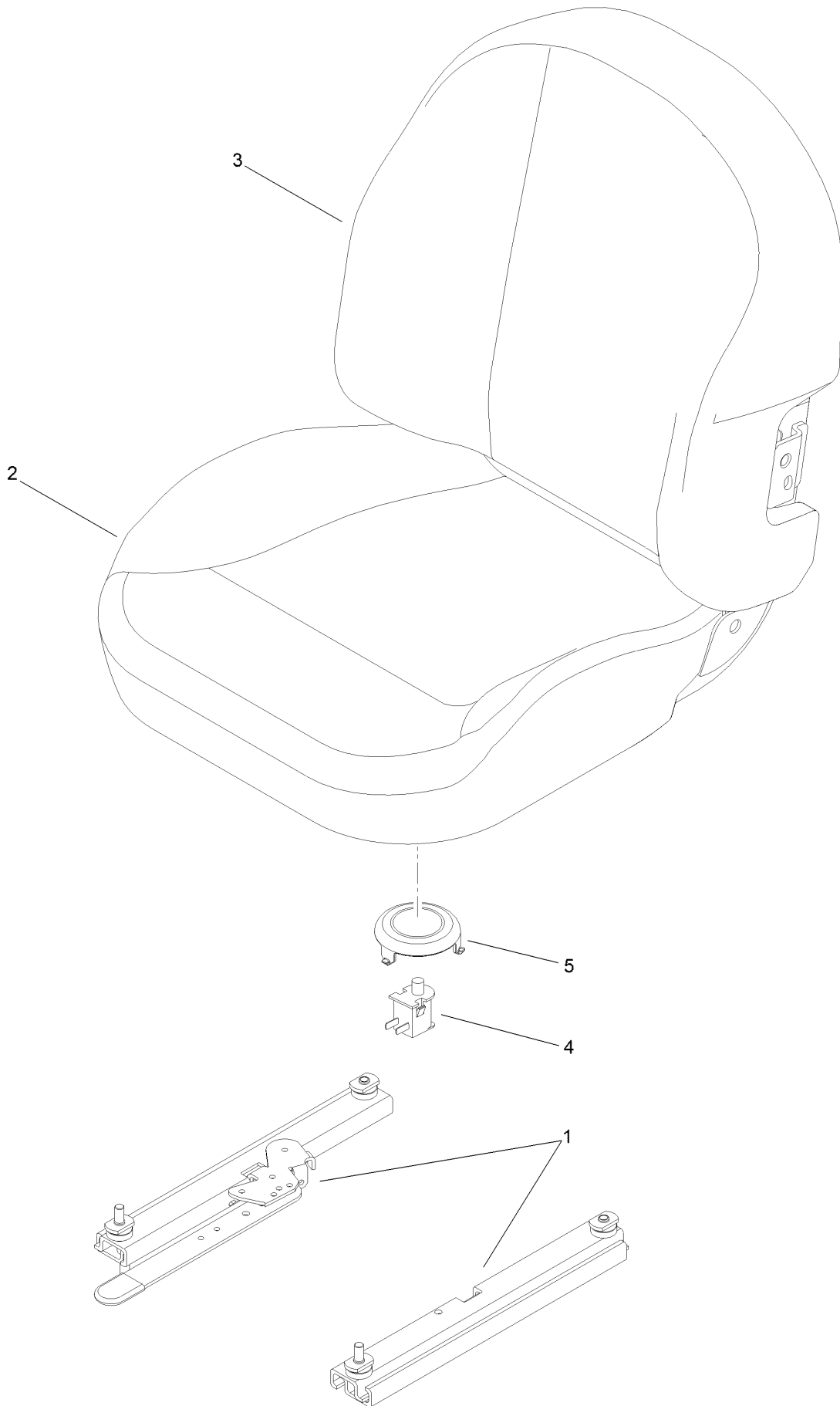
Body and Seat Assembly



Body and Seat Assembly (continued)

| <i>Ref.</i> | <i>Part Number</i> | <i>Qty.</i> | <i>Description</i> | <i>Ref.</i> | <i>Part Number</i> | <i>Qty.</i> | <i>Description</i> |
|-------------|--------------------|-------------|------------------------|-------------|--------------------|-------------|--------------------|
| 1 | 107-7590 | 2 | Cup-Bearing | 19 | 104-7201 | 1 | Nut-HF, NI |
| 2 | 107-7589 | 2 | Cone-Bearing (W/ Seal) | 20 | 322-2 | 2 | Screw-HH |
| 3 | 140-0262-0P | 1 | Panel-Cooler | 21 | 119-4041 | 10 | Nut-HF |
| 4 | 108-5477 | 1 | Shroud-Fan | 22 | 32144-10 | 11 | Screw-HWH |
| 5 | 108-6856 | 1 | Shroud-Wheel, LH | 23 | 112-7153 | 2 | Pin |
| 6 | 108-6855 | 1 | Shroud-Wheel, RH | 24 | 99-7830 | 1 | Receptical-Rubber |
| 7 | 121-9081-01 | 1 | Cover-Rear | 25 | 3290-412 | 1 | Rivet-Blind |
| 8 | 2412-133 | 2 | Clamp-R | 26 | 322-3 | 4 | Screw-HH |
| 9 | 104-7050 | 1 | Tube-Manual | 27 | 3256-23 | 2 | Washer-Plain |
| 10 | 104-7048 | 1 | Cap-Housing | 28 | 322-11 | 2 | Screw-HH |
| 11 | 144-1375 | 1 | Base-Seat | 29 | 85-9550 | 2 | Rubber Clamp ASM |
| 12 | 363-1571 | 1 | Screw-PFH | 29:1 | 85-9670 | 1 | Nut-T |
| 13 | 144-1350 | 1 | Seat ASM | 30 | 108-7941 | 1 | Plate-Guide, Lever |
| 14 | 32144-14 | 5 | Screw-HWHTF | 31 | 3256-1 | 2 | Washer-Flat |
| 15 | 3218-1 | 4 | Nut-Jam | 32 | 3234-33 | 2 | Screw-HHF |
| 16 | 1-523420 | 2 | Bumper | 38 | 107-1998 | 1 | Nozzle-Grease |
| 17 | 609588 | 1 | Spacer | 39 | 138-9101 | 1 | Decal-Service |
| 18 | 99-7833 | 1 | Post-Holding | 40 | 32180-030 | 1 | Clip-Tie |

Seat Assembly No. 144-1350

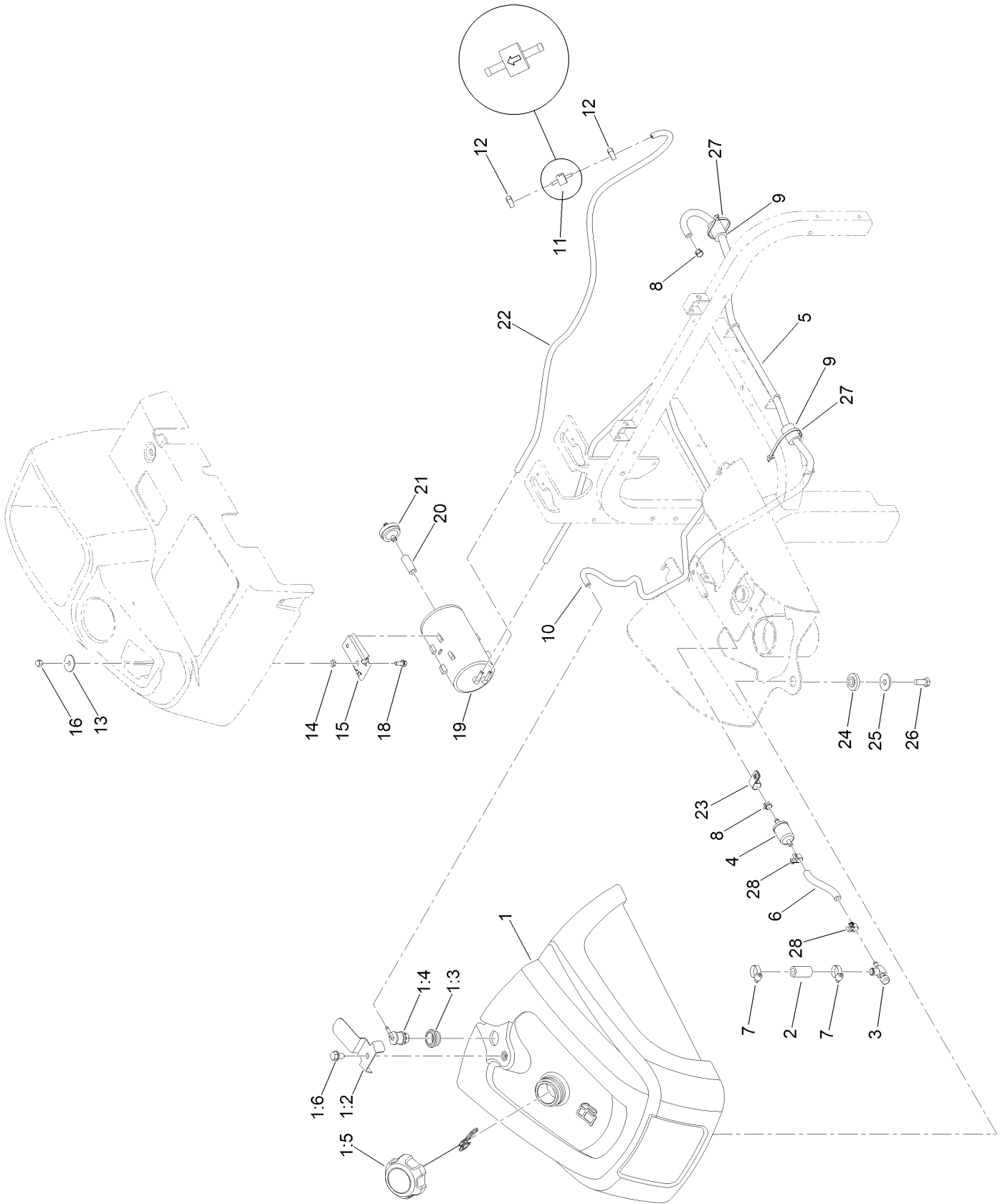


Seat Assembly No. 144-1350 (continued)

| <i>Ref.</i> | <i>Part Number</i> | <i>Qty.</i> | <i>Description</i> |
|-------------|--------------------|-------------|--------------------|
| 1 | 144-7068 | 1 | Track ASM |
| 2 | 144-7069 | 1 | Cushion Cover |
| 3 | 144-7070 | 1 | Back Cover |

| <i>Ref.</i> | <i>Part Number</i> | <i>Qty.</i> | <i>Description</i> |
|-------------|--------------------|-------------|----------------------|
| 4 | 82-2190 | 1 | Switch-Bail |
| 5 | 140-3468 | 1 | Cap-Switch, Actuator |

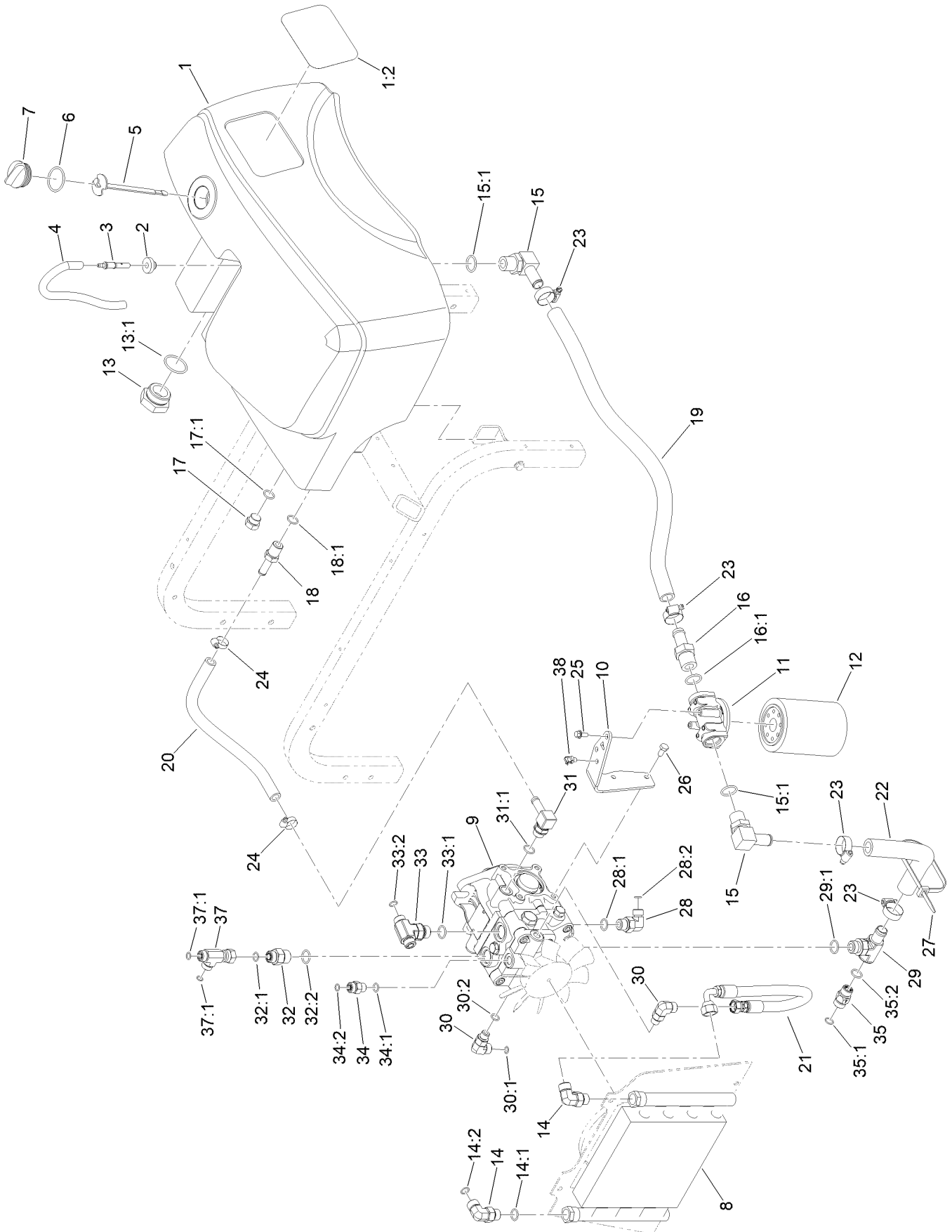
Fuel System Assembly



Fuel System Assembly (continued)

| <i>Ref.</i> | <i>Part Number</i> | <i>Qty.</i> | <i>Description</i> | <i>Ref.</i> | <i>Part Number</i> | <i>Qty.</i> | <i>Description</i> |
|-------------|--------------------|-------------|----------------------|-------------|--------------------|-------------|--------------------------|
| 1 | 161-5041 | 1 | Fuel Tank ASM | 12 | 2412-108 | 2 | Clamp-Worm |
| 1:2 | 163-2573 | 1 | Shield-Vent | 13 | 3256-57 | 1 | Washer-Flat |
| 1:3 | 114-0284 | 1 | Grommet | 14 | 3218-1 | 1 | Nut-Jam |
| 1:4 | 114-0285 | 1 | Valve-Rollover | 15 | 114-0292 | 1 | Bracket-Canister, Carbon |
| 1:5 | 137-4127 | 1 | Cap-Fuel | 16 | 32111-7 | 1 | Nut-Cap |
| 1:6 | 3234-9 | 1 | Screw-HHF | 18 | 3234-33 | 1 | Screw-HHF |
| 2 | 110-3371 | 1 | Hose-Fuel | 19 | 127-8685 | 1 | Canister-Carbon |
| 3 | 83-1390 | 1 | Valve-Shut-Off, Fuel | 20 | 106-5317 | 1 | Hose-Fuel |
| 4 | 94-2690 | 1 | Filter-Fuel | 21 | 115-7854 | 1 | Filter-Fuel, Inline |
| 5 | 110-3372 | 1 | Hose-Fuel | 22 | 117-9569 | 1 | Hose-Fuel |
| 6 | 109-0660 | 1 | Hose-Fuel | 23 | 92-6064 | 1 | Clamp-R |
| 7 | 2412-36 | 2 | Clamp-Hose | 24 | 240-11 | 1 | Bushing-Flange |
| 8 | 2412-98 | 2 | Clamp-Hose | 25 | 63-8410 | 1 | Washer |
| 9 | 38-3400 | 2 | Guard-Rubber | 26 | 323-5 | 1 | Screw-HH |
| 10 | 117-9568 | 1 | Hose-Fuel | 27 | 3290-379 | 2 | Tie-Cable |
| 11 | 133-8499 | 1 | Valve-Check, Vacuum | 28 | 145-4564 | 2 | Clamp-Band, Screw |

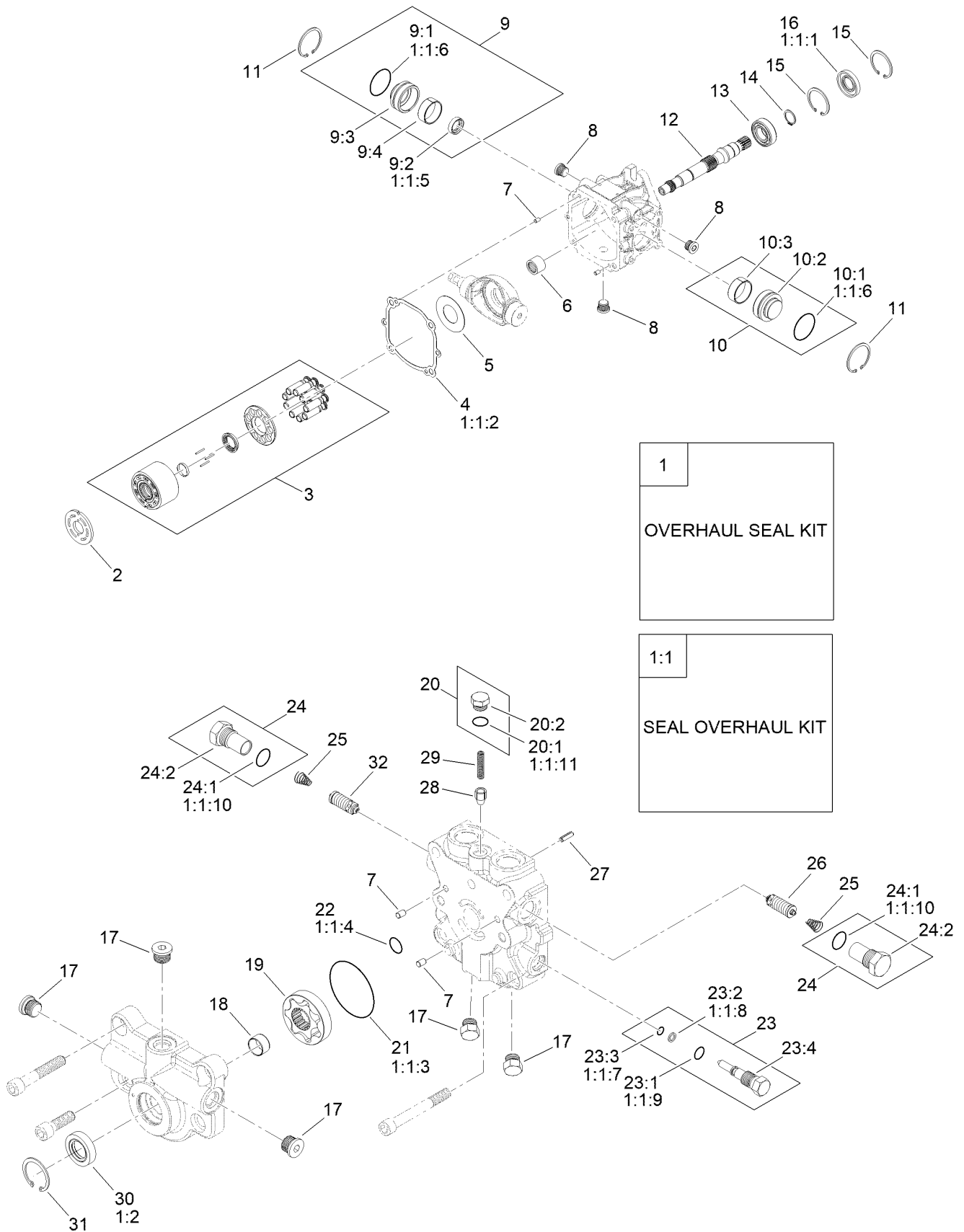
Hydraulic Pump, Tank and Cooler Assembly



Hydraulic Pump, Tank and Cooler Assembly (continued)

| <i>Ref.</i> | <i>Part Number</i> | <i>Qty.</i> | <i>Description</i> | <i>Ref.</i> | <i>Part Number</i> | <i>Qty.</i> | <i>Description</i> |
|-------------|--------------------|-------------|--------------------------|-------------|--------------------|-------------|-----------------------|
| 1 | 140-0319 | 1 | HYD Tank W/Decal | 24 | 2412-36 | 2 | Clamp-Hose |
| 1:2 | 108-8452 | 1 | Decal-Logo | 25 | 3234-33 | 2 | Screw-HHF |
| 2 | 46-6560 | 1 | Bushing | 26 | 33114-016 | 2 | Screw-HH |
| 3 | 110-1372 | 1 | Fitting-Vent, Tank | 27 | 3290-378 | 1 | Tie-Cable |
| 4 | 75-4704 | 1 | Hose-Fuel | 28 | 340-18 | 1 | Fitting-HYD, 90 DEG |
| 5 | 110-8162 | 1 | Dipstick | 28:1 | 237-79 | 1 | O-Ring |
| 6 | 237-101 | 1 | O-Ring | 28:2 | 237-22 | 1 | O-Ring |
| 7 | 93-7498 | 1 | Plug-Plastic | 29 | 140-0344 | 1 | Fitting-Tee |
| 8 | 108-8457 | 1 | Cooler-Oil | 29:1 | 237-80 | 1 | O-Ring |
| 9 | 138-9132 | 1 | Pump-Piston, Variable | 30 | 340-77 | 2 | Fitting-Elbow, 90 DEG |
| 10 | 163-2553 | 1 | Bracket-Filter, Mount | 30:1 | 237-22 | 1 | O-Ring |
| 11 | 68-8990 | 1 | Head-Filter | 30:2 | 237-42 | 1 | O-Ring |
| 12 | 54-0110 | 1 | Filter-Oil, Transmission | 31 | 354-120 | 1 | Fitting-Elbow, 90 |
| 13 | 108-8468 | 1 | Plug-HH | 31:1 | 237-79 | 1 | O-Ring |
| 13:1 | 237-101 | 1 | O-Ring | 32 | 340-6 | 1 | Fitting-Straight |
| 14 | 340-98 | 2 | Fitting-Elbow, 90 DEG | 32:1 | 237-30 | 1 | O-Ring |
| 14:1 | 237-79 | 1 | O-Ring | 32:2 | 237-80 | 1 | O-Ring |
| 14:2 | 237-30 | 1 | O-Ring | 33 | 130-8775 | 1 | Fitting-HYD |
| 15 | 353-987 | 2 | Fitting-Elbow, 90 | 33:1 | 237-80 | 1 | O-Ring |
| 15:1 | 237-81 | 1 | O-Ring | 33:2 | 237-30 | 2 | O-Ring |
| 16 | 354-73 | 1 | Fitting | 34 | 100-7210 | 1 | Check Valve |
| 16:1 | 237-81 | 1 | O-Ring | 34:1 | 237-42 | 1 | O-Ring |
| 17 | 353-550 | 1 | Plug-HYD, HH | 34:2 | 237-22 | 1 | O-Ring |
| 17:1 | 237-79 | 1 | O-Ring | 35 | 140-0335 | 1 | Fitting-Check |
| 18 | 354-121 | 1 | Fitting-STR | 35:1 | 237-30 | 1 | O-Ring |
| 18:1 | 237-79 | 1 | O-Ring | 35:2 | 237-79 | 1 | O-Ring |
| 19 | 140-0328 | 1 | Hose - HYD, LP | 37 | 340-115 | 1 | Fitting-Tee |
| 20 | 140-0265 | 1 | Hose-Return | 37:1 | 237-22 | 2 | O-Ring |
| 21 | 121-1583 | 1 | Hose-HYD | 38 | 32180-030 | 1 | Clip-Tie |
| 22 | 140-0264 | 1 | Hose-Suction | | | | |
| 23 | 2412-129 | 4 | Clamp-Hose | | | | |

Variable Piston Pump Assembly No. 138-9132

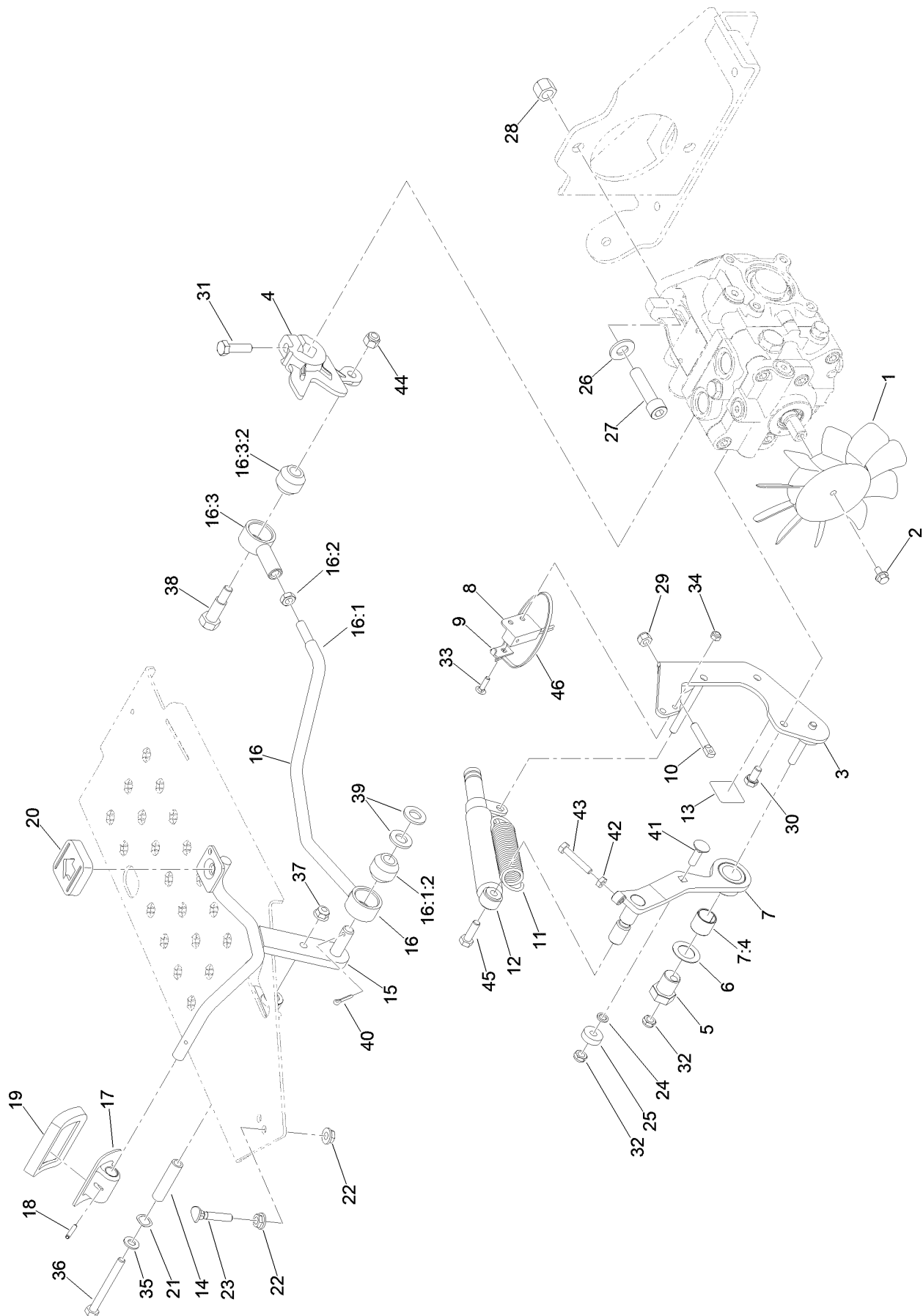


Variable Piston Pump Assembly No. 138-9132 (continued)

| <i>Ref.</i> | <i>Part Number</i> | <i>Qty.</i> | <i>Description</i> | <i>Ref.</i> | <i>Part Number</i> | <i>Qty.</i> | <i>Description</i> |
|-------------|--------------------|-------------|--------------------------------|-------------|--------------------|-------------|---------------------------------|
| 1 | 144-1389 | 1 | Overhaul Seal Kit | 11 | 136-1020 | 2 | Ring-Retaining |
| 1:1 | 136-1010 | 1 | Seal Overhaul Kit | 12 | 144-1390 | 1 | Shaft |
| 1:1:1 | 136-1021 | 1 | Seal-Lip, Shaft | 13 | 136-1017 | 1 | Bearing-Ball |
| 1:1:2 | 136-1023 | 1 | Gasket-Cap, End | 14 | 136-1018 | 1 | Ring-Retaining |
| 1:1:3 | 136-1031 | 1 | O-Ring | 15 | 136-1019 | 2 | Ring-Retaining |
| 1:1:4 | 136-1032 | 1 | O-Ring | 16 | 136-1021 | 1 | Seal-Lip, Shaft |
| 1:1:5 | | 1 | Seal-Lip, Journal Bearing ● | 17 | 136-1027 | 5 | Plug ASM |
| 1:1:6 | | 2 | O-Ring, Journal Bearing ● | 18 | 136-1030 | 1 | Bearing-Journal |
| 1:1:7 | | 1 | O Ring-Valve, Bypass ● | 19 | 136-1029 | 1 | Gerotor ASM |
| 1:1:8 | | 1 | Ring-Back Up ● | 20 | 136-1028 | 1 | Plug ASM |
| 1:1:9 | | 1 | O Ring-Valve, Bypass ● | 20:1 | | 1 | O-Ring ● |
| 1:1:10 | | 2 | O Ring-Plug ● | 20:2 | | 1 | Plug ● |
| 1:1:11 | | 1 | O Ring-Plug ● | 21 | 136-1031 | 1 | O-Ring |
| 1:2 | 144-1385 | 1 | Seal-Lip | 22 | 136-1032 | 1 | O-Ring |
| 2 | 144-1384 | 1 | Plate-Valve, CCW | 23 | 136-1037 | 1 | Bypass Valve ASM |
| 3 | 136-1011 | 1 | Cylinder Block Kit | 23:1 | | 1 | O-Ring ● |
| 4 | 136-1023 | 1 | Gasket-Cap, End | 23:2 | | 1 | Back Up Ring ● |
| 5 | 136-1013 | 1 | Plate-Thrust | 23:3 | | 1 | O-Ring ● |
| 6 | 136-1022 | 1 | Bearing-Needle | 23:4 | | 1 | Plug ● |
| 7 | 136-1024 | 4 | Pin | 24 | 136-1025 | 2 | Plug ASM |
| 8 | 74-9450 | 3 | Plug | 24:1 | | 1 | O-Ring ● |
| 9 | 136-1014 | 1 | Journal Bearing Carrier ASM | 24:2 | | 1 | Plug ● |
| 9:1 | | 1 | O-Ring ● | 25 | 136-1035 | 2 | Spring |
| 9:2 | | 1 | Seal-Lip ● | 26 | 110-6343 | 1 | Valve-Scr |
| 9:3 | | 1 | Body ● | 27 | 131-3800 | 1 | Pin-Slotted |
| 9:4 | | 1 | Race-Inner ● | 28 | 136-1033 | 1 | Cone-Valve, Relief |
| 10 | 136-1015 | 1 | Journal Bearing Carrier ASM | 29 | 144-1387 | 1 | Spring |
| 10:1 | | 1 | O-Ring ● | 30 | 144-1385 | 1 | Seal-Lip |
| 10:2 | | 1 | Body ● | 31 | 144-1386 | 1 | Ring-Retaining |
| 10:3 | | 1 | Race-Inner ● | 32 | 144-1388 | 1 | Valve-Scr (230 Bar/3335 PSI) |

● Not serviced separately

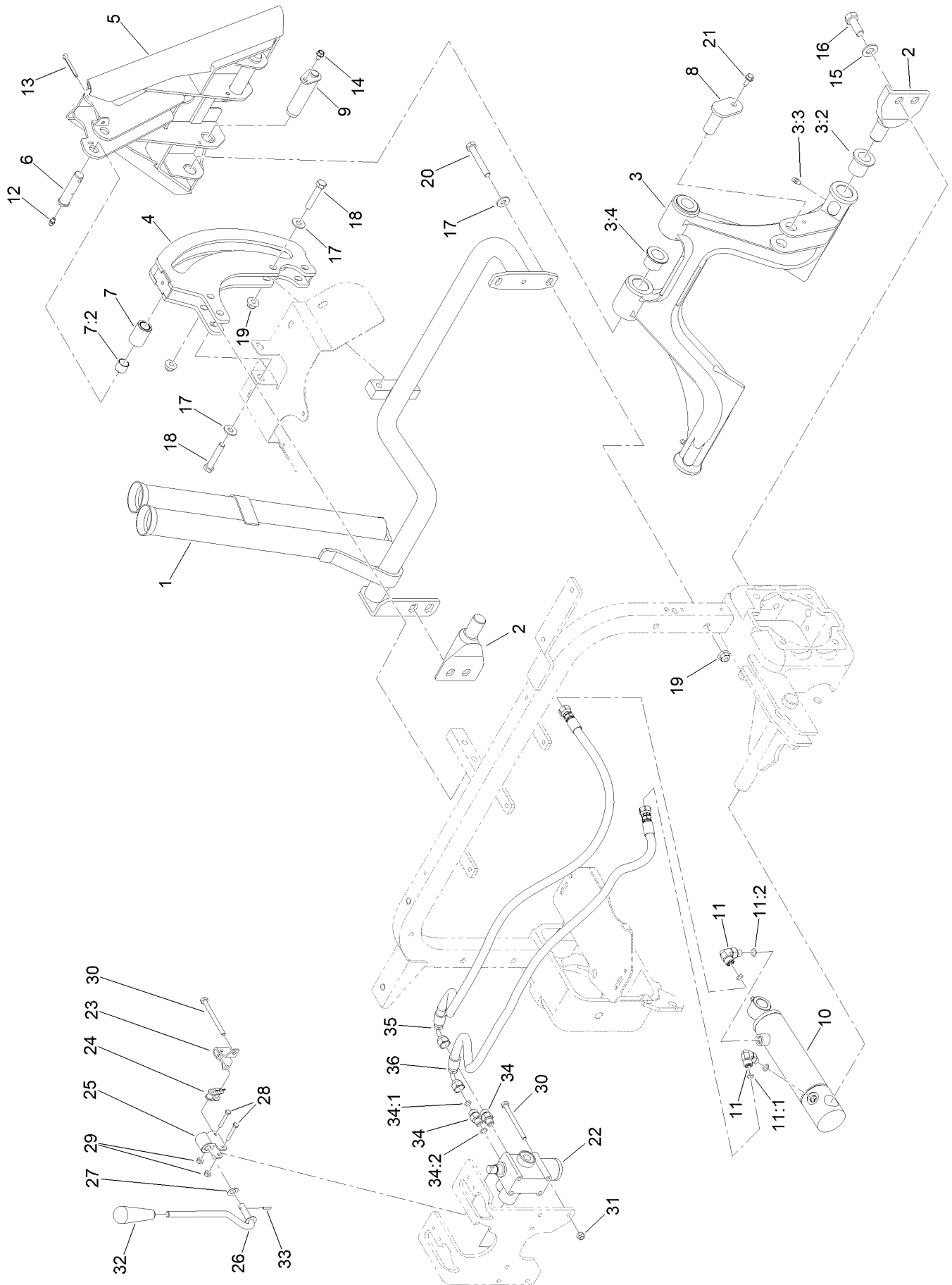
Traction Control Assembly



Traction Control Assembly (continued)

| <i>Ref.</i> | <i>Part Number</i> | <i>Qty.</i> | <i>Description</i> | <i>Ref.</i> | <i>Part Number</i> | <i>Qty.</i> | <i>Description</i> |
|-------------|--------------------|-------------|---------------------------------|-------------|--------------------|-------------|--------------------|
| 1 | 140-0258 | 1 | Fan-Cooling, Pump | 21 | 108473 | 1 | Washer-Wave |
| 2 | 120-4559 | 1 | Screw-BHCS | 22 | 32128-20 | 2 | Nut-HF |
| 3 | 140-0257-0P | 1 | Plate-Pump | 23 | 17-9420 | 1 | Screw-Handle |
| 4 | 163-6565 | 1 | Lever-Pump | 24 | 75-5470 | 1 | Spacer-Bearing |
| 5 | 93-2111 | 1 | Stud-Traction | 25 | 251-259 | 1 | Bearing-Ball |
| 6 | 3-6498 | 1 | Washer-Thrust | 26 | 87-7270 | 2 | Washer-Thrust |
| 7 | 140-0291 | 1 | Neutral Arm ASM | 27 | 3274-5 | 2 | Screw-HSH |
| 7:4 | 94-9609 | 1 | Bushing-Straight | 28 | 3296-23 | 2 | Nut-Lock, NI |
| 8 | 120-6385 | 1 | Sensor-Ferrous Proximity, No | 29 | 3296-4 | 1 | Nut-Lock |
| 9 | 100-4872 | 1 | Plate-Switch, Neutral | 30 | 33114-016 | 3 | Screw-HH |
| 10 | 18-6380 | 1 | Pin-Adjustment, Steering | 31 | 323-9 | 1 | Screw-HH |
| 11 | 115-4712 | 1 | Spring-Extension | 32 | 3296-47 | 2 | Nut-Lock,NI |
| 12 | 140-6248 | 1 | Damper | 33 | 3229-20 | 1 | Screw-CARR |
| 13 | 93-9051 | 1 | Decal-Bolt, Eccentric | 34 | 3296-2 | 1 | Nut-Lock, NI |
| 14 | 85-8960 | 1 | Spacer | 35 | 3256-23 | 1 | Washer-Plain |
| 15 | 108-5498-01 | 1 | Pedal | 36 | 322-14 | 1 | Screw-HH |
| 16 | 117-9564 | 1 | Traction Rod ASM | 37 | 119-4041 | 1 | Nut-HF |
| 16:1 | 115-5626 | 1 | Rod ASM | 38 | 117-4698 | 1 | Screw-Shoulder, HH |
| 16:1:2 | 23-2270 | 1 | Bushing-Rubber | 39 | 106-9888 | 2 | Washer-Flat |
| 16:2 | 3220-3 | 1 | Nut-HJ | 40 | 3272-10 | 1 | Pin-Cotter |
| 16:3 | 115-5623 | 1 | Isolated Rod End ASM | 41 | 3230-2 | 1 | Bolt-CARR |
| 16:3:2 | 23-2270 | 1 | Bushing-Rubber | 42 | 3218-1 | 1 | Nut-Jam |
| 17 | 117-9507 | 1 | Pedal-Accelerator | 43 | 321-43 | 1 | Capscrew |
| 18 | 32121-45 | 1 | Pin-Spring | 44 | 3296-39 | 2 | Nut-Lock, NI |
| 19 | 74-9100 | 1 | Pad-Pedal, Forward | 45 | 116-0648 | 1 | Screw-HH, Thd Lock |
| 20 | 74-9110 | 1 | Pad-Pedal, Reverse | 46 | 3290-379 | 1 | Tie-Cable |

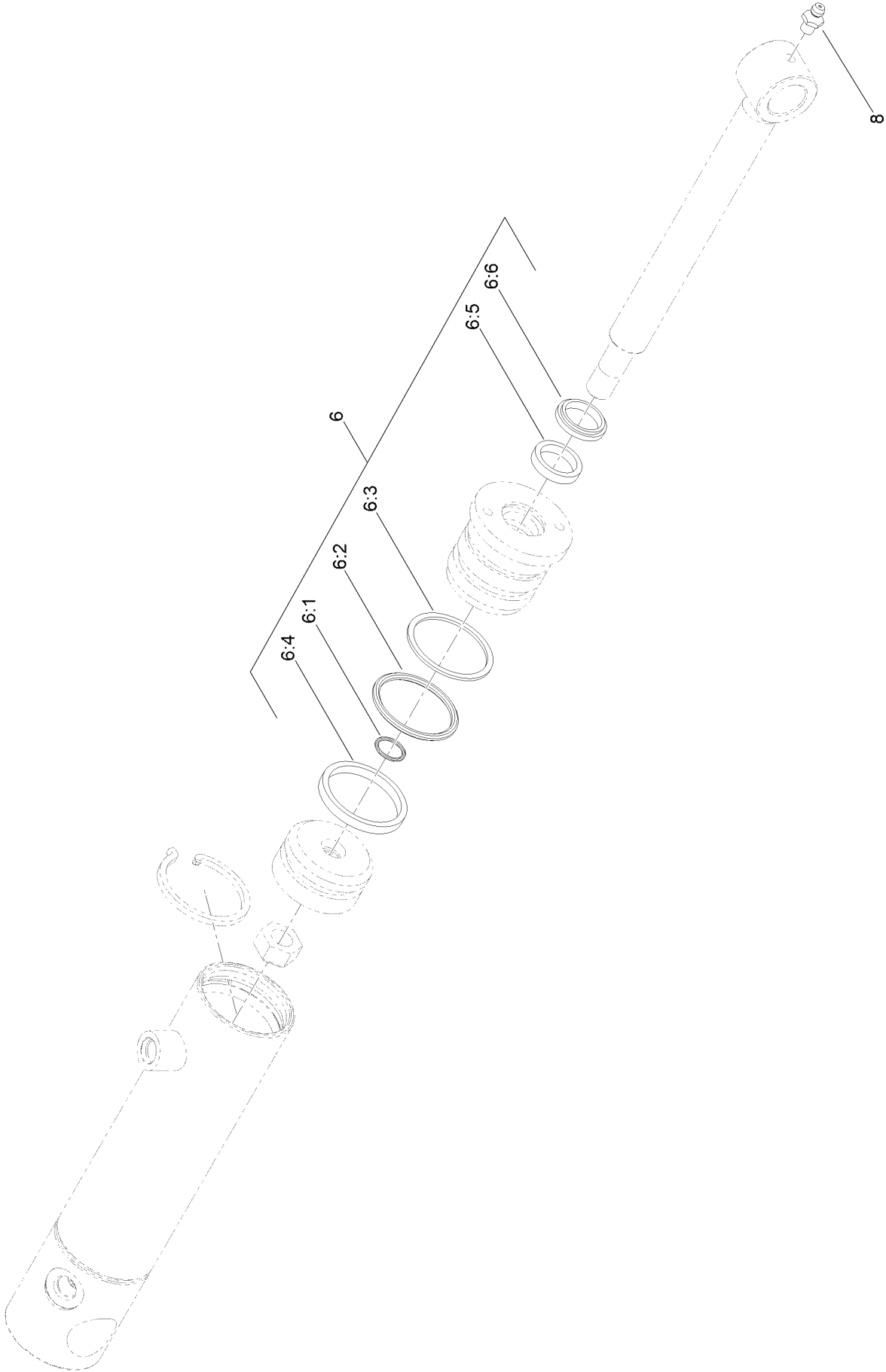
Rear Lift and Lift Circuit Assembly



Rear Lift and Lift Circuit Assembly (continued)

| <i>Ref.</i> | <i>Part Number</i> | <i>Qty.</i> | <i>Description</i> | <i>Ref.</i> | <i>Part Number</i> | <i>Qty.</i> | <i>Description</i> |
|-------------|--------------------|-------------|--------------------------|-------------|--------------------|-------------|--------------------|
| 1 | 120-3465-03 | 1 | Frame-Hitch | 17 | 3256-3 | 6 | Washer-Flat |
| 2 | 115-5618 | 2 | Pivot-Hub | 18 | 323-10 | 4 | Screw-HH |
| 3 | 120-3457 | 1 | Rear Hitch ASM | 19 | 119-4042 | 6 | Nut-HF, NI |
| 3:2 | 95-3577 | 2 | Bushing | 20 | 323-12 | 2 | Screw-HH |
| 3:3 | 302-5 | 4 | Fitting-Grease | 21 | 32144-10 | 1 | Screw-HWH |
| 3:4 | 33-3090 | 4 | Bushing | 22 | 121-9070 | 1 | Valve ASM |
| 4 | 110-1368-03 | 1 | Roller Plate ASM | 23 | 88-8480 | 1 | Bracket-Pivot |
| 5 | 130-7879 | 1 | Adapter Frame ASM | 24 | 2710-20 | 1 | Link-Offset |
| 6 | 108-2282 | 1 | Pin-Clevis | 25 | 125-1944 | 1 | Pivot-Hinge |
| 7 | 108-5472 | 1 | Tube ASM | 26 | 108-7942 | 1 | Lever-Rear |
| 7:2 | 256-311 | 2 | Bushing | 27 | 3290-477 | 1 | Washer-Curved |
| 8 | 161-3217 | 1 | Pin-Flag | 28 | 3290-360 | 2 | Screw-HH |
| 9 | 138-6484 | 2 | Pin .875 DIA. X 4.40 Lg. | 29 | 3296-2 | 2 | Nut-Lock, NI |
| 10 | 115-5647 | 1 | HYD Lift Cylinder ASM | 30 | 321-23 | 3 | Screw-HH |
| 11 | 340-132 | 2 | Fitting-Elbow, 90 DEG | 31 | 3296-8 | 3 | Nut-Hex |
| 11:1 | 237-78 | 1 | O-Ring | 32 | 98-0152 | 1 | Knob-Tapered |
| 11:2 | 237-21 | 1 | O-Ring | 33 | 32121-73 | 1 | Pin-Roll |
| 12 | 302-5 | 1 | Fitting-Grease | 34 | 340-92 | 2 | Fitting-Straight |
| 13 | 3272-23 | 1 | Pin-Cotter | 34:1 | 237-78 | 1 | O-Ring |
| 14 | 137-4795 | 2 | Screw | 34:2 | 237-21 | 1 | O-Ring |
| 15 | 3256-26 | 4 | Washer-Flat | 35 | 95-8837 | 1 | Hose ASM |
| 16 | 325-5 | 4 | Screw-HH | 36 | 100-3833 | 1 | Hose-HYD |

Hydraulic Lift Cylinder Assembly No. 115-5647

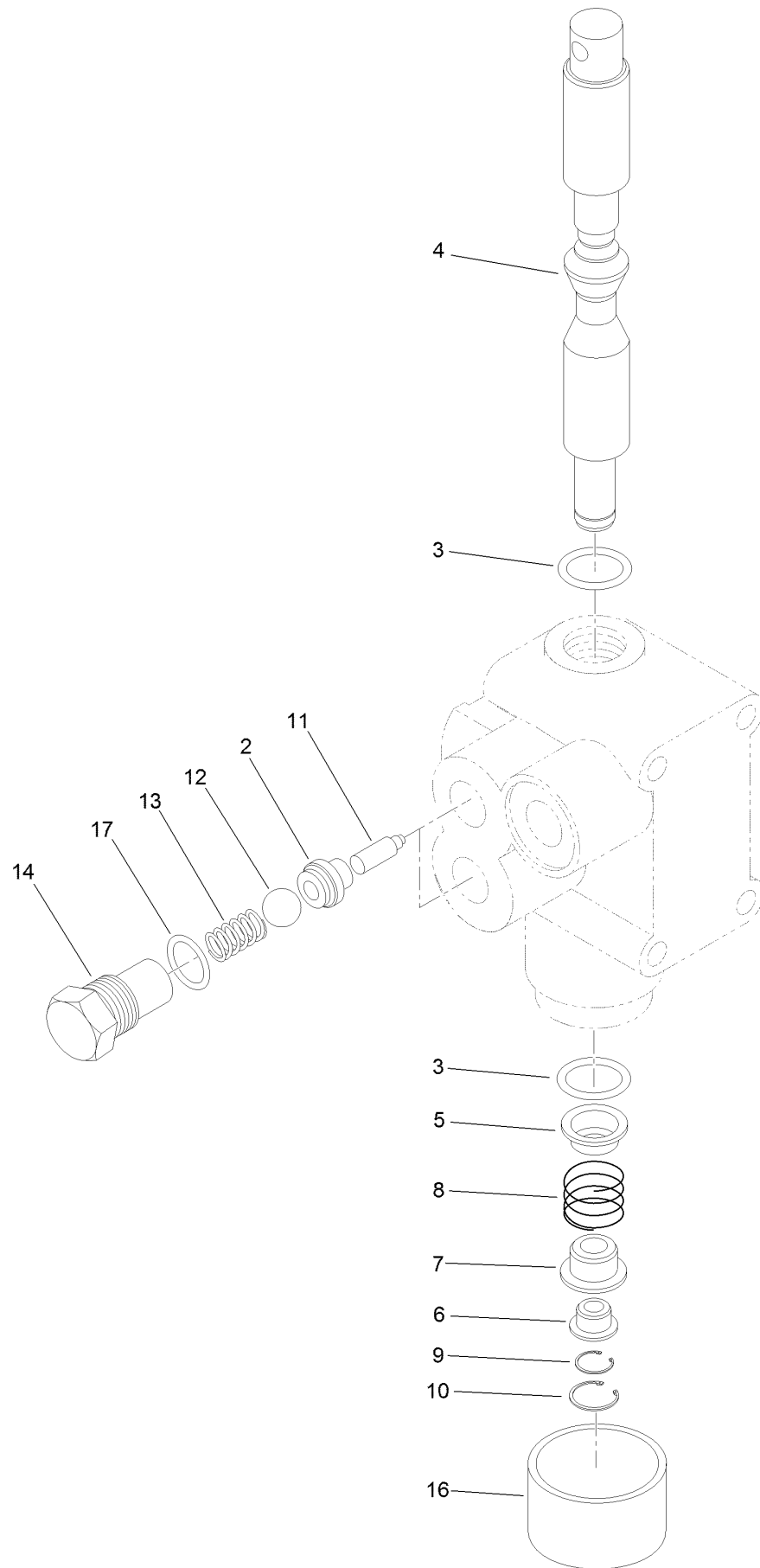


Hydraulic Lift Cylinder Assembly No. 115-5647 (continued)

| <i>Ref.</i> | <i>Part Number</i> | <i>Qty.</i> | <i>Description</i> | <i>Ref.</i> | <i>Part Number</i> | <i>Qty.</i> | <i>Description</i> |
|-------------|--------------------|-------------|--------------------|-------------|--------------------|-------------|--------------------|
| 6 | 108-4597 | 1 | Seal Kit | 6:4 | | 1 | Seal-Psp ● |
| 6:1 | | 1 | O-Ring ● | 6:5 | | 1 | Seal-Rod ● |
| 6:2 | | 1 | O-Ring ● | 6:6 | | 1 | Seal-Dust ● |
| 6:3 | | 1 | Ring-Back Up ● | 8 | 302-5 | 1 | Fitting-Grease |

● Not serviced separately

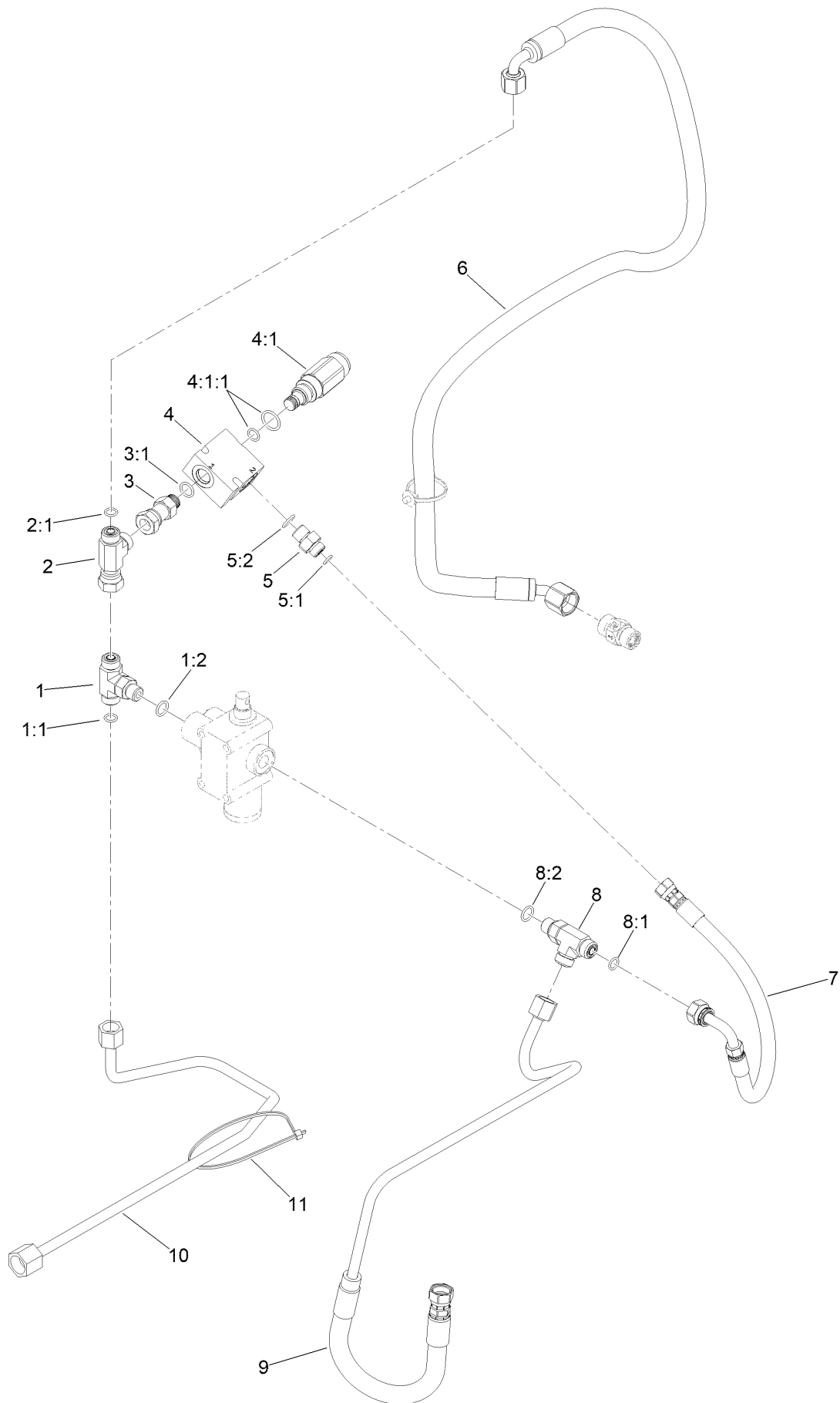
Hydraulic Valve Assembly No. 121-9070



Hydraulic Valve Assembly No. 121-9070 (continued)

| <i>Ref.</i> | <i>Part Number</i> | <i>Qty.</i> | <i>Description</i> | <i>Ref.</i> | <i>Part Number</i> | <i>Qty.</i> | <i>Description</i> |
|-------------|--------------------|-------------|--------------------|-------------|--------------------|-------------|--------------------|
| 2 | 22-8370 | 2 | Seat-Valve | 10 | 22-8490 | 1 | Ring-Snap |
| 3 | 22-8500 | 2 | O-Ring | 11 | 22-8360 | 2 | Pin |
| 4 | 22-8420 | 1 | Spool | 12 | 22-8350 | 2 | Ball |
| 5 | 22-8380 | 1 | Retainer | 13 | 22-8340 | 2 | Spring |
| 6 | 22-8400 | 1 | Spacer | 14 | 22-8330 | 2 | Plug |
| 7 | 22-8390 | 1 | Retainer | 16 | 138-2229 | 1 | Cap |
| 8 | 22-8410 | 1 | Spring | 17 | 237-42 | 2 | O-Ring |
| 9 | 22-8480 | 1 | Ring-Snap | | | | |

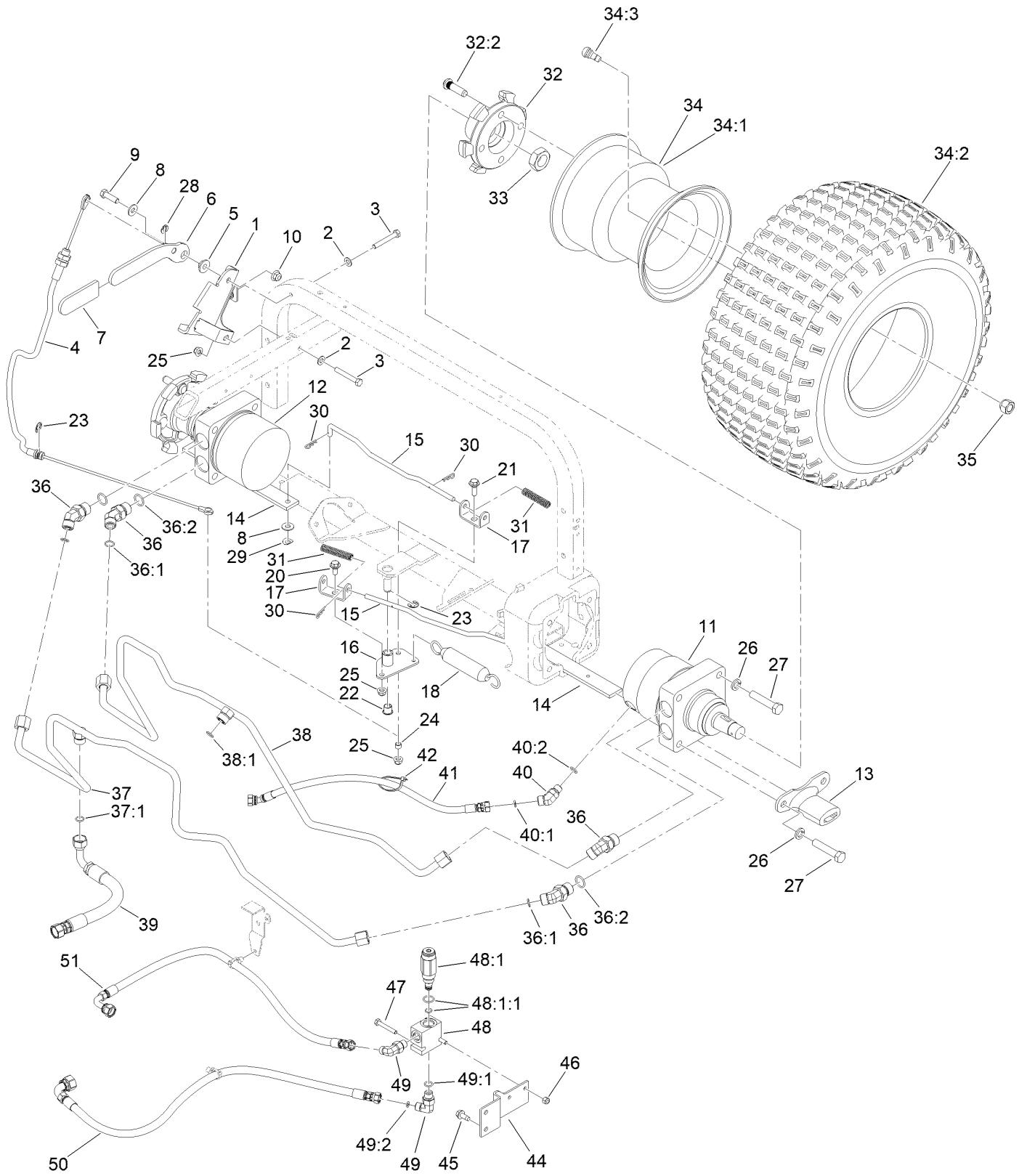
Lift Hydraulic Routing Assembly



Lift Hydraulic Routing Assembly (continued)

| <i>Ref.</i> | <i>Part Number</i> | <i>Qty.</i> | <i>Description</i> | <i>Ref.</i> | <i>Part Number</i> | <i>Qty.</i> | <i>Description</i> |
|-------------|--------------------|-------------|----------------------------|-------------|--------------------|-------------|-------------------------|
| 1 | 340-94 | 1 | Adapter | 5:1 | 237-21 | 1 | O-Ring |
| 1:1 | 237-22 | 2 | O-Ring | 5:2 | 237-42 | 1 | O-Ring |
| 1:2 | 237-42 | 1 | O-Ring | 6 | 144-1367 | 1 | HYD Hose ASM |
| 2 | 340-115 | 1 | Fitting-Tee | 7 | 115-0383 | 1 | Hose ASM |
| 2:1 | 237-22 | 2 | O-Ring | 8 | 340-86 | 1 | Fitting-Tee |
| 3 | 104-3779 | 1 | Connector-Swivel, Straight | 8:1 | 237-22 | 2 | O-Ring |
| 3:1 | 237-42 | 1 | O-Ring | 8:2 | 237-42 | 1 | O-Ring |
| 4 | 144-1399 | 1 | Valve-Relief | 9 | 140-0293 | 1 | Hydraulic Conductor ASM |
| 4:1 | 105-9155 | 1 | Valve-Relief | 10 | 140-0271 | 1 | Hydraulic Tube ASM |
| 4:1:1 | 105-9156 | 1 | Seal Kit | 11 | 3290-379 | 1 | Tie-Cable |
| 5 | 340-1 | 1 | Fitting-Straight | | | | |

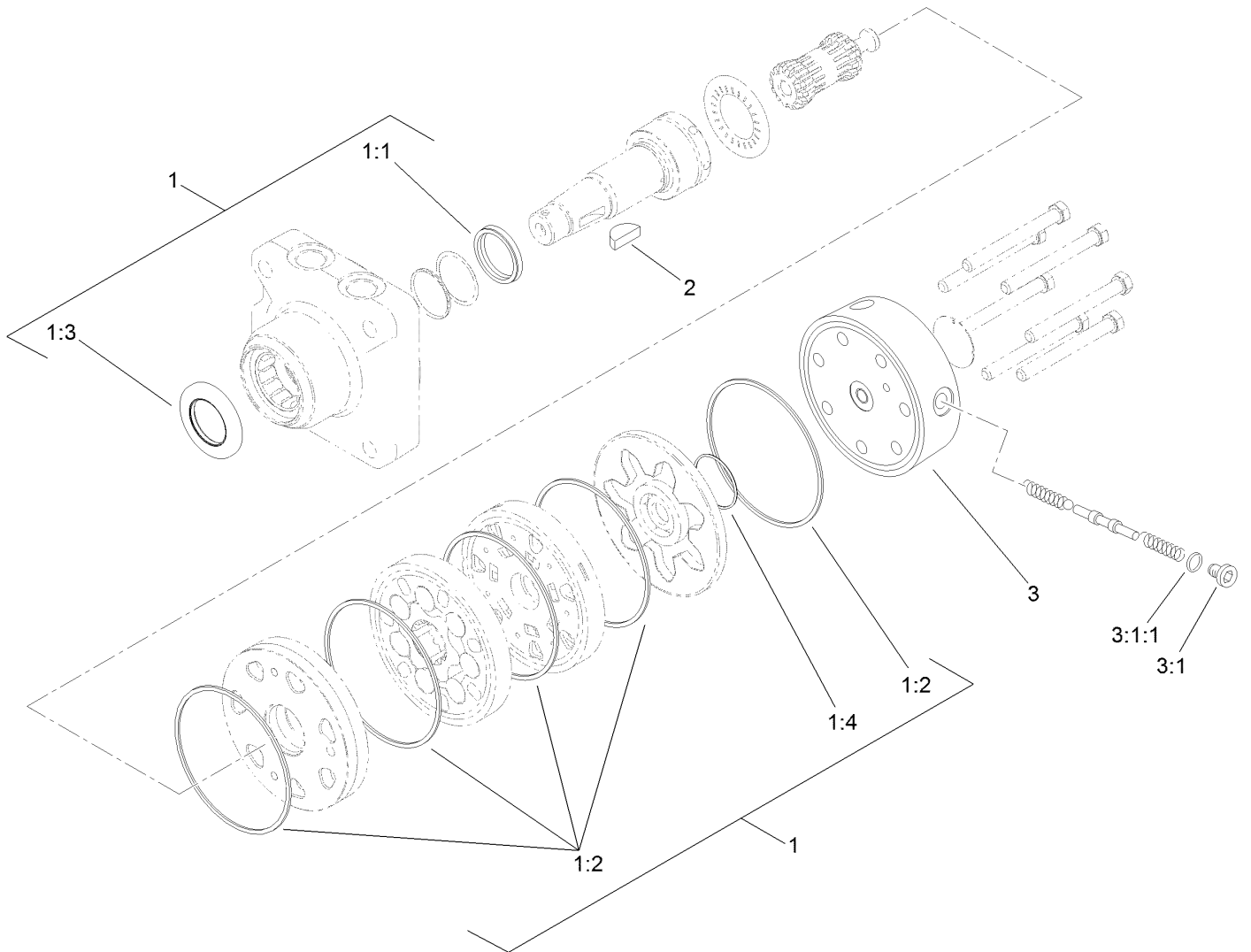
Rear Wheel Assembly



Rear Wheel Assembly (continued)

| <i>Ref.</i> | <i>Part Number</i> | <i>Qty.</i> | <i>Description</i> | <i>Ref.</i> | <i>Part Number</i> | <i>Qty.</i> | <i>Description</i> |
|-------------|--------------------|-------------|--------------------------|-------------|--------------------|-------------|-----------------------|
| 1 | 121-2520 | 1 | Bracket-Lever, Brake | 33 | 26-3790 | 2 | Nut-Lock |
| 2 | 3256-23 | 2 | Washer-Plain | 34 | 147-3670 | 2 | Wheel And Tire ASM |
| 3 | 322-11 | 2 | Screw-HH | 34:1 | 114-4643 | 1 | Wheel |
| 4 | 108-7913 | 1 | Cable-Brake, Park | 34:2 | 147-3671 | 1 | Tire |
| 5 | 108-7994 | 1 | Bushing-Pivot, Lever | 34:3 | 5108 | 1 | Valve |
| 6 | 108-7991-03 | 1 | Lever-Brake | 35 | 139-2564 | 8 | Nut-Lug |
| 7 | 21-1880 | 1 | Grip-Handle | 36 | 340-89 | 4 | Fitting-HYD, 45 DEG |
| 8 | 3256-3 | 3 | Washer-Flat | 36:1 | 237-30 | 1 | O-Ring |
| 9 | 323-7 | 1 | Screw-HH | 36:2 | 237-80 | 1 | O-Ring |
| 10 | 119-4042 | 1 | Nut-HF, NI | 37 | 108-8406 | 1 | Tube ASM |
| 11 | 108-2947 | 1 | HYD Motor ASM (CCW) | 37:1 | 237-30 | 1 | O-Ring |
| 12 | 108-2949 | 1 | HYD Motor ASM (CW) | 38 | 110-1323 | 1 | Tube ASM |
| 13 | 125-1967 | 2 | Bracket-Brake, Park | 38:1 | 237-30 | 1 | O-Ring |
| 14 | 108-7986-0P | 2 | Bar-Latch, Parking | 39 | 110-1322 | 1 | HYD Hose ASM |
| 15 | 108-7987 | 2 | Link-Latch, Parking | 40 | 340-87 | 1 | Fitting-Elbow, 45 DEG |
| 16 | 108-7979-0P | 1 | Bellcrank | 40:1 | 237-22 | 1 | O-Ring |
| 17 | 114-0631 | 2 | Clevis-Latch, Parking | 40:2 | 237-42 | 1 | O-Ring |
| 18 | 66-4270 | 1 | Spring-Extension | 41 | 140-0269 | 1 | HYD Hose ASM |
| 20 | 19-1470 | 1 | Screw-Shoulder | 42 | 3290-379 | 1 | Tie-Cable |
| 21 | 19-1471 | 1 | Screw-Shoulder | 44 | 108-8460-01 | 1 | Bracket-Valve |
| 22 | 256-257 | 2 | Bushing-Nyliner | 45 | 32144-11 | 2 | Screw-HWH |
| 23 | 32120-47 | 2 | Ring-Retaining, External | 46 | 3296-42 | 2 | Nut-Lock, NI |
| 24 | 108-7983 | 1 | Bushing-Cable | 47 | 321-10 | 2 | Screw-HH |
| 25 | 119-4041 | 4 | Nut-HF | 48 | 144-1391 | 1 | Valve-Relief |
| 26 | 3253-7 | 8 | Washer-Lock | 48:1 | 144-1398 | 1 | Valve-Relief |
| 27 | 325-10 | 8 | Screw-HH | 48:1:1 | 105-9156 | 1 | Seal Kit |
| 28 | 32151-47 | 1 | Ring-Retaining | 49 | 340-82 | 2 | Fitting-Elbow, 90 DEG |
| 29 | 121-4605 | 2 | Washer-Spring | 49:1 | 237-42 | 1 | O-Ring |
| 30 | 3290-307 | 4 | Pin-Cotter | 49:2 | 237-21 | 1 | O-Ring |
| 31 | 107-3376 | 2 | Spring-Compression | 50 | 163-2551 | 1 | HYD Hose ASM |
| 32 | 144-1373 | 2 | Wheel Hub ASM | 51 | 144-1395 | 1 | HYD Hose ASM |
| 32:2 | 10-6830 | 4 | Stud-Type, Drive | | | | |

Hydraulic Motor Assembly No. 108-2947

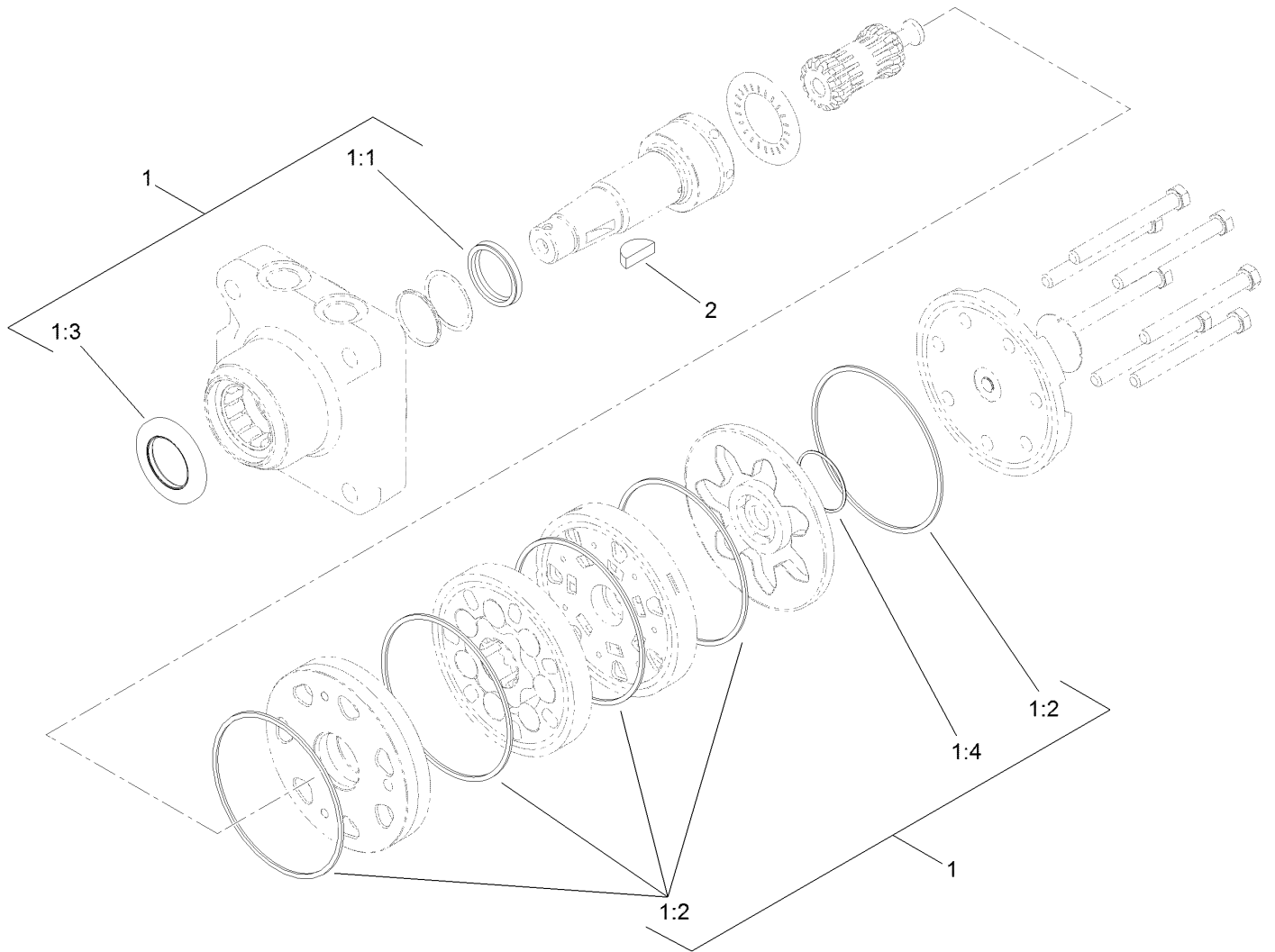


Hydraulic Motor Assembly No. 108-2947 (continued)

| <i>Ref.</i> | <i>Part Number</i> | <i>Qty.</i> | <i>Description</i> | <i>Ref.</i> | <i>Part Number</i> | <i>Qty.</i> | <i>Description</i> |
|-------------|--------------------|-------------|--------------------|-------------|--------------------|-------------|--------------------|
| 1 | 110-6459 | 1 | Seal Kit | 2 | 3257-42 | 1 | Key-Woodruff |
| 1:1 | | 1 | Seal-Shaft ● | 3 | 110-3381 | 1 | End Cover ASM |
| 1:2 | | 5 | Seal-Body ● | 3:1 | 353-990 | 1 | Plug ASM |
| 1:3 | | 1 | Seal-Dirt/Water ● | 3:1:1 | 237-78 | 1 | O-Ring |
| 1:4 | | 1 | Seal-Commutator ● | | | | |

● Not serviced separately

Hydraulic Motor Assembly No. 108-2949

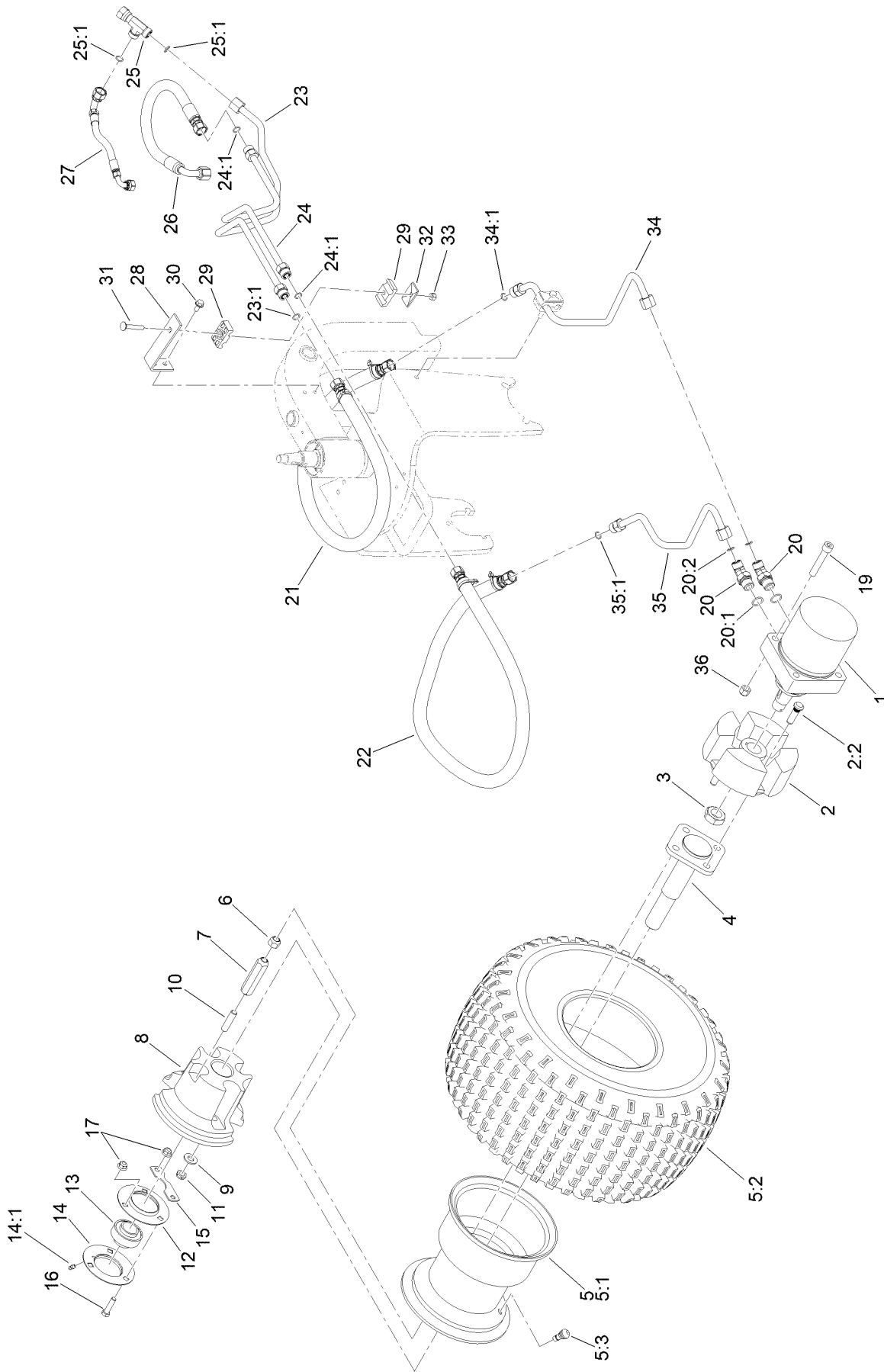


Hydraulic Motor Assembly No. 108-2949 (continued)

| <i>Ref.</i> | <i>Part Number</i> | <i>Qty.</i> | <i>Description</i> | <i>Ref.</i> | <i>Part Number</i> | <i>Qty.</i> | <i>Description</i> |
|-------------|--------------------|-------------|--------------------|-------------|--------------------|-------------|--------------------|
| 1 | 110-6459 | 1 | Seal Kit | 1:3 | | 1 | Seal-Dirt/Water ● |
| 1:1 | | 1 | Seal-Shaft ● | 1:4 | | 1 | Seal-Commutator ● |
| 1:2 | | 5 | Seal-Body ● | 2 | 3257-42 | 1 | Key-Woodruff |

● Not serviced separately

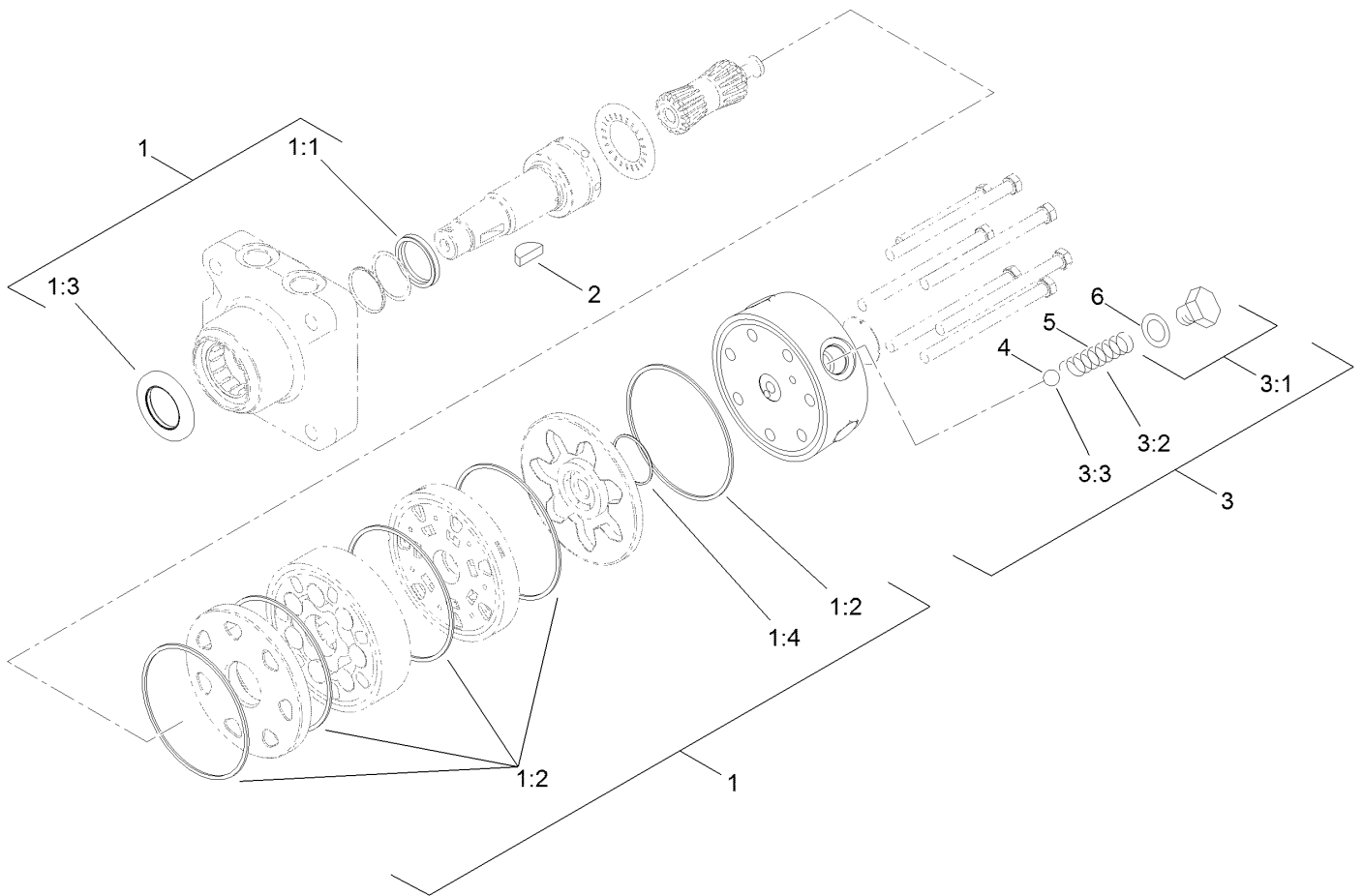
Front Wheel Assembly



Front Wheel Assembly (continued)

| <i>Ref.</i> | <i>Part Number</i> | <i>Qty.</i> | <i>Description</i> | <i>Ref.</i> | <i>Part Number</i> | <i>Qty.</i> | <i>Description</i> |
|-------------|--------------------|-------------|-----------------------|-------------|--------------------|-------------|--------------------|
| 1 | 108-2948 | 1 | HYD Motor ASM (CW) | 20:1 | 237-30 | 1 | O-Ring |
| 2 | 144-1381 | 1 | Front Wheel Hub ASM | 20:2 | 237-80 | 1 | O-Ring |
| 2:2 | 10-6830 | 4 | Stud-Type, Drive | 21 | 108-8433 | 1 | HYD Hose ASM |
| 3 | 26-3790 | 1 | Nut-Lock | 22 | 110-6303 | 1 | HYD Hose ASM |
| 4 | 110-6314 | 1 | Spindle | 23 | 140-0315 | 1 | Hydraulic Tube ASM |
| 5 | 147-3670 | 1 | Wheel And Tire ASM | 23:1 | 237-30 | 1 | O-Ring |
| 5:1 | 114-4643 | 1 | Wheel | 24 | 108-8411 | 1 | Tube ASM |
| 5:2 | 147-3671 | 1 | Tire | 24:1 | 237-30 | 2 | O-Ring |
| 5:3 | 5108 | 1 | Valve | 25 | 340-104 | 1 | Fitting-Tee |
| 6 | 139-2564 | 2 | Nut-Lug | 25:1 | 237-30 | 2 | O-Ring |
| 7 | 107-3399 | 2 | Adapter-Weight, Wheel | 26 | 140-0323 | 1 | HYD Hose ASM |
| 8 | 161-3285 | 1 | Weight-Wheel | 27 | 144-1393 | 1 | HYD Hose ASM |
| 9 | 87-7270 | 2 | Washer-Thrust | 28 | 108-8455-01 | 1 | Bracket-Clamp |
| 10 | 110-6311 | 2 | Stud | 29 | 56-7976 | 2 | Clamp-Tube |
| 11 | 3296-45 | 2 | Nut-Hex | 30 | 32144-14 | 2 | Screw-HWHTF |
| 12 | 85-8950 | 1 | Flangette-Standard | 31 | 3230-6 | 1 | Bolt-CARR |
| 13 | 251-352 | 1 | Bearing | 32 | 69-9760 | 1 | Plate-Cover |
| 14 | 85-8940 | 1 | Flangette-Relube | 33 | 3296-29 | 1 | Nut-Lock, NI |
| 14:1 | 302-5 | 1 | Fitting-Grease | 34 | 108-8432 | 1 | Tube ASM |
| 15 | 88-8350 | 1 | Tab-Bearing | 34:1 | 237-30 | 1 | O-Ring |
| 16 | 323-8 | 3 | Screw-HH | 35 | 108-8431 | 1 | Tube ASM |
| 17 | 119-4042 | 3 | Nut-HF, NI | 35:1 | 237-30 | 1 | O-Ring |
| 19 | 3274-93 | 2 | Screw-HSH | 36 | 3296-23 | 2 | Nut-Lock, NI |
| 20 | 340-89 | 2 | Fitting-HYD, 45 DEG | | | | |

Hydraulic Motor Assembly No. 108-2948

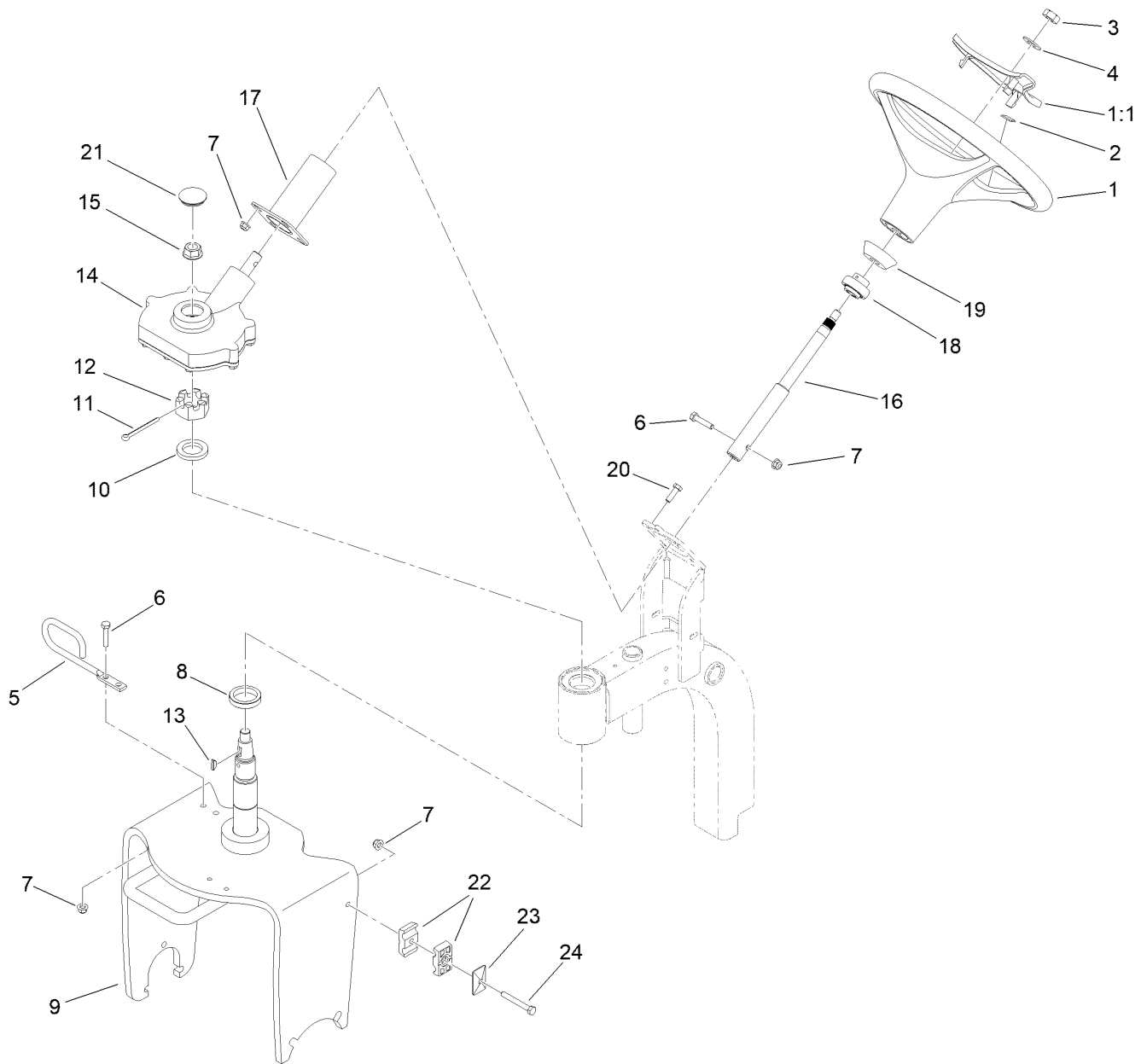


Hydraulic Motor Assembly No. 108-2948 (continued)

| <i>Ref.</i> | <i>Part Number</i> | <i>Qty.</i> | <i>Description</i> | <i>Ref.</i> | <i>Part Number</i> | <i>Qty.</i> | <i>Description</i> |
|-------------|--------------------|-------------|--------------------|-------------|--------------------|-------------|--------------------------------|
| 1 | 110-6459 | 1 | Seal Kit | 3:1 | | 1 | Spring Cap And O-Ring ASM ● |
| 1:1 | | 1 | Seal-Shaft ● | 3:2 | 99-3541 | 1 | Spring |
| 1:2 | | 5 | Seal-Body ● | 3:3 | 99-3540 | 1 | Ball |
| 1:3 | | 1 | Seal-Dirt/Water ● | 4 | 99-3540 | 1 | Ball |
| 1:4 | | 1 | Seal-Commutator ● | 5 | 99-3541 | 1 | Spring |
| 2 | 3257-42 | 1 | Key-Woodruff | 6 | 132-4421 | 1 | O-Ring |
| 3 | 99-3538 | 1 | End Cover ASM | | | | |

● Not serviced separately

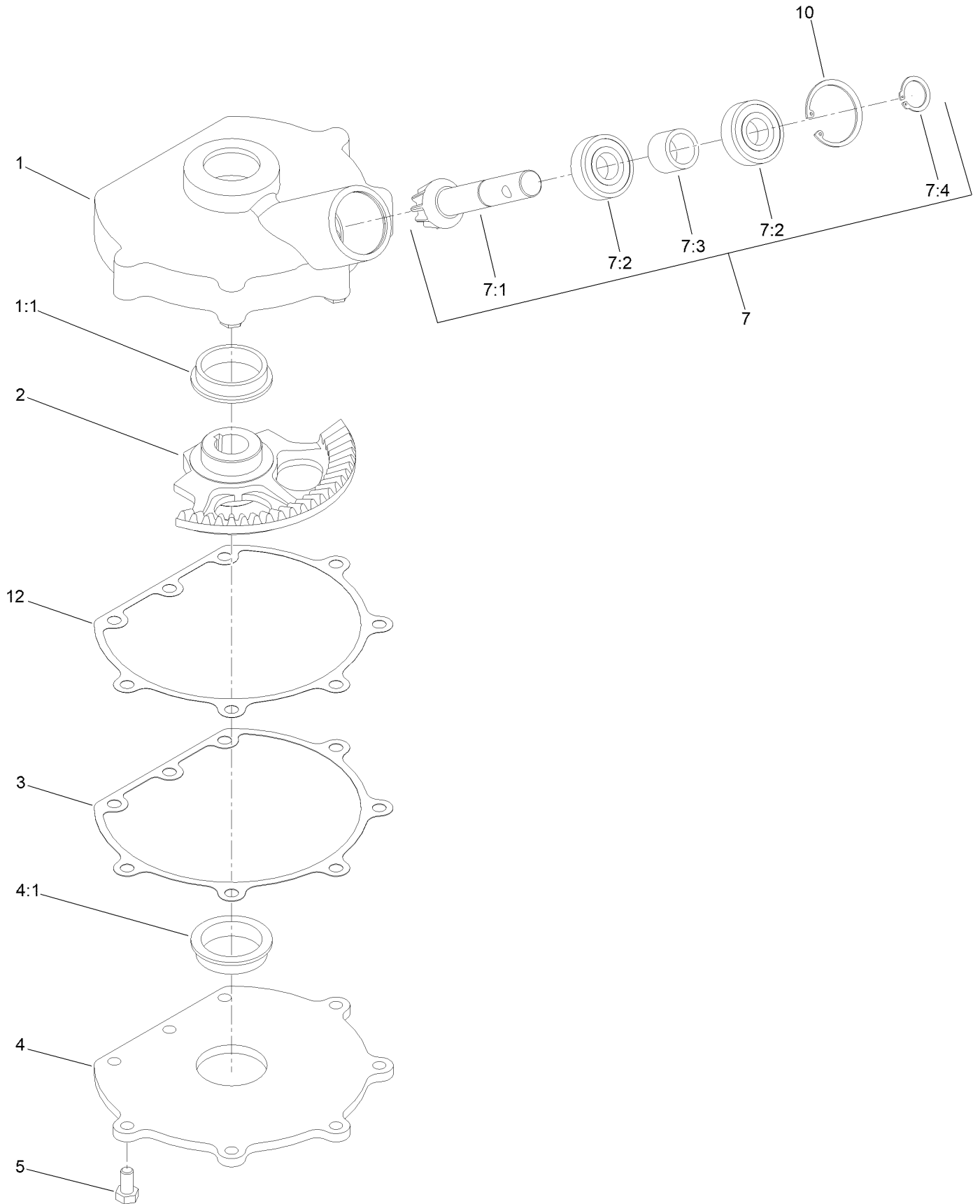
Steering Assembly



Steering Assembly (continued)

| <i>Ref.</i> | <i>Part Number</i> | <i>Qty.</i> | <i>Description</i> | <i>Ref.</i> | <i>Part Number</i> | <i>Qty.</i> | <i>Description</i> |
|-------------|--------------------|-------------|-----------------------|-------------|--------------------|-------------|------------------------|
| 1 | 98-1471 | 1 | Wheel-Steering | 13 | 3257-5 | 1 | Key-Woodruff |
| 1:1 | 98-1468 | 1 | Cover-Wheel, Steering | 14 | 107-3526 | 1 | Steering Box ASM |
| 2 | 98-1459 | 1 | Decal | 15 | 32128-54 | 1 | Nut-HF |
| 3 | 3296-33 | 1 | Nut-Lock, NI | 16 | 107-3533 | 1 | Shaft-Steering |
| 4 | 3256-27 | 1 | Washer-Flat | 17 | 107-3540-03 | 1 | Tube |
| 5 | 138-9139 | 1 | Guide-Hose | 18 | 106-8448 | 1 | Bearing-Race, Extended |
| 6 | 322-7 | 3 | Screw-HH | 19 | 93-5429 | 1 | Collar-Foam |
| 7 | 119-4041 | 8 | Nut-HF | 20 | 322-5 | 4 | Screw-HH |
| 8 | 108-5432 | 1 | Spacer-Bearing | 21 | 107-3532 | 1 | Grommet |
| 9 | 144-7075-01 | 1 | Fork ASM | 22 | 56-7976 | 2 | Clamp-Tube |
| 10 | 115-5639 | 1 | Washer-Steering | 23 | 69-9760 | 1 | Plate-Cover |
| 11 | 3272-37 | 1 | Pin-Cotter | 24 | 322-12 | 1 | Screw-HH |
| 12 | 32136-9 | 1 | Nut-Hex, Slotted | | | | |

Steering Box Assembly No. 107-3526

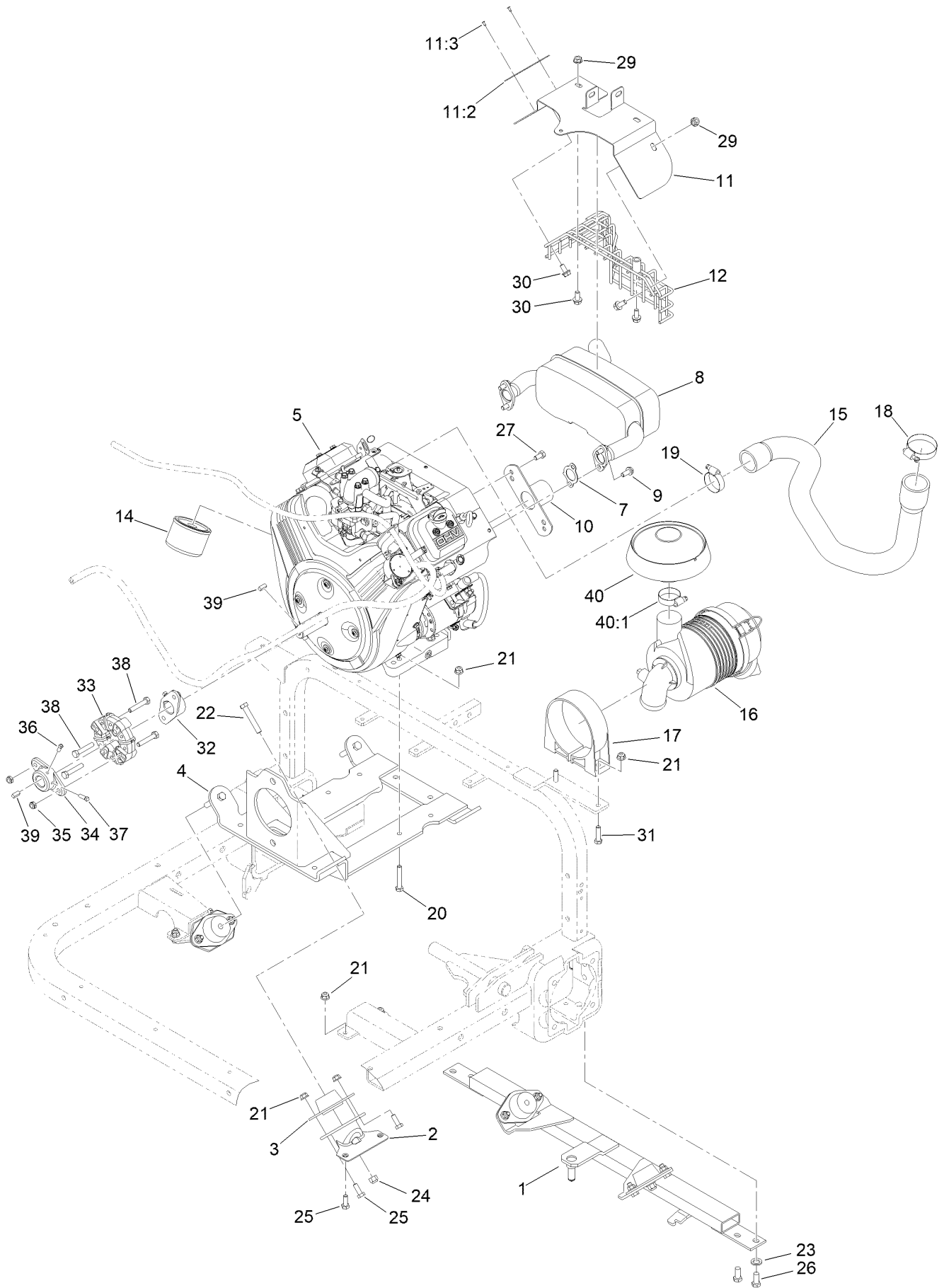


Steering Box Assembly No. 107-3526 (continued)

| <i>Ref.</i> | <i>Part Number</i> | <i>Qty.</i> | <i>Description</i> | <i>Ref.</i> | <i>Part Number</i> | <i>Qty.</i> | <i>Description</i> |
|-------------|--------------------|-------------|--------------------|-------------|--------------------|-------------|----------------------|
| 1 | 108-4520 | 1 | Steering Cover ASM | 7 | | 1 | Pinion Gear ASM ● |
| 1:1 | 92-6869 | 1 | Bushing | 7:1 | 107-3527 | 1 | Gear-Pinion |
| 2 | 107-3520 | 1 | Gear-Sector | 7:2 | 38-7820 | 2 | Bearing-Ball |
| 3 | 107-3529 | 1 | Gasket-Steering | 7:3 | 108-4502 | 1 | Spacer |
| 4 | 107-3524 | 1 | Steering Plate ASM | 7:4 | 32151-12 | 1 | Ring-Retaining |
| 4:1 | 92-6869 | 1 | Bushing | 10 | 107-3530 | 1 | Ring-Retaining |
| 5 | 322-2 | 8 | Screw-HH | 12 | 108-8442 | 3 | Shim-Plate, Steering |

● Not serviced separately

Engine Installation Assembly

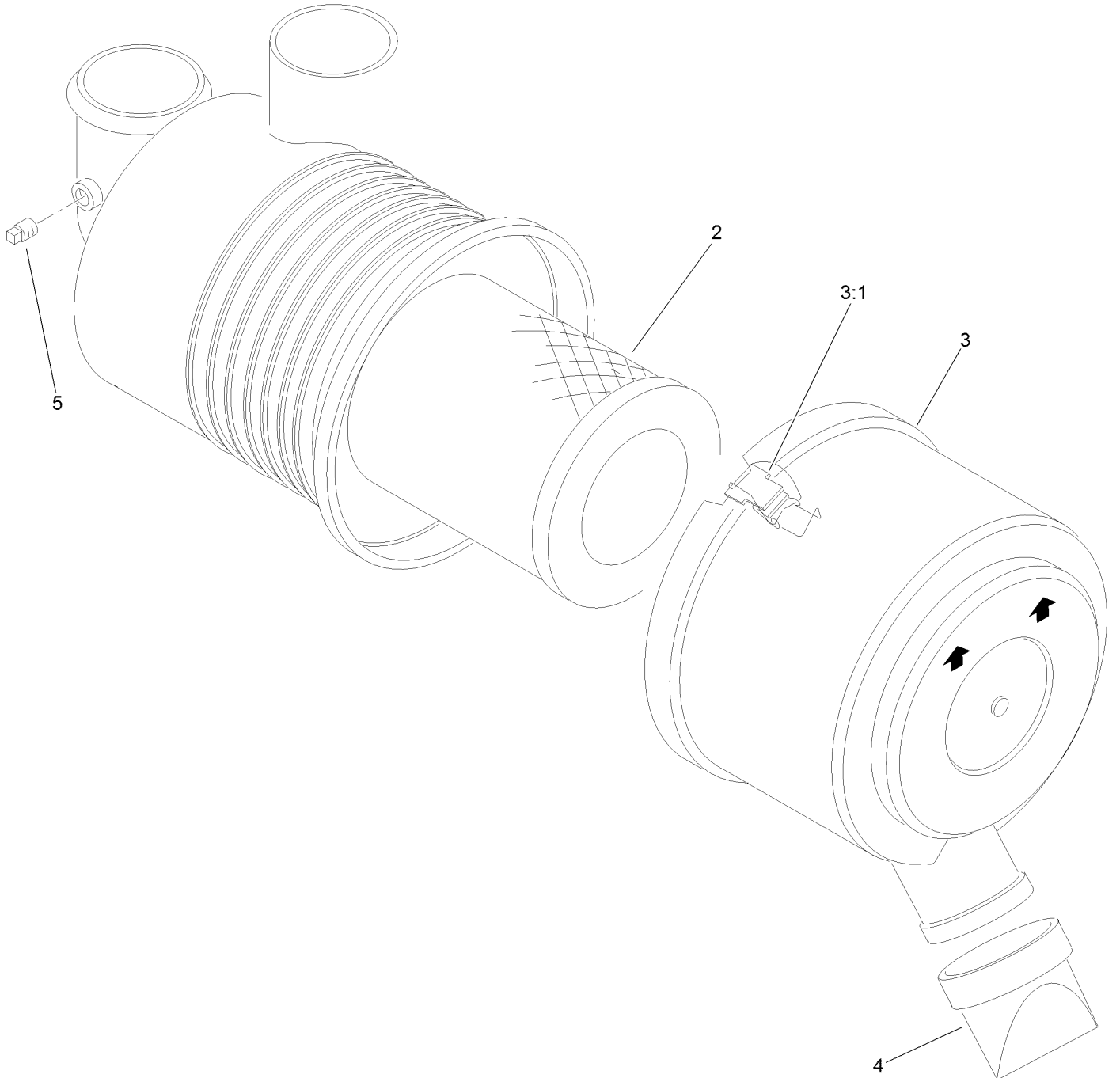


Engine Installation Assembly (continued)

| <i>Ref.</i> | <i>Part Number</i> | <i>Qty.</i> | <i>Description</i> | <i>Ref.</i> | <i>Part Number</i> | <i>Qty.</i> | <i>Description</i> |
|-------------|--------------------|-------------|----------------------------------|-------------|--------------------|-------------|--------------------|
| 1 | 120-3461-01 | 1 | Mount-Engine | 21 | 119-4041 | 18 | Nut-HF |
| 2 | 125-1954 | 2 | Mount-Front | 22 | 323-11 | 4 | Screw-HH |
| 3 | 121-9076 | 4 | Mount-Engine | 23 | 3256-24 | 4 | Washer-Plain |
| 4 | 108-2809-0P | 1 | Support-Engine | 24 | 119-4042 | 4 | Nut-HF, NI |
| 5 | 140-0282 | 1 | Engine ● | 25 | 322-4 | 12 | Screw-HH |
| 7 | 94-3449 | 2 | Gasket-Manifold, Exhaust | 26 | 323-5 | 4 | Screw-HH |
| 8 | 120-3476 | 1 | Muffler-Dual Inlet | 27 | 3210-2 | 2 | Screw-HH |
| 9 | 94-5300 | 4 | Screw-HHF | 29 | 32128-25 | 4 | Nut-HF |
| 10 | 95-0632-03 | 1 | Cover | 30 | 3234-14 | 4 | Screw-HHF |
| 11 | 119-7191 | 1 | Muffler Shield ASM | 31 | 322-6 | 2 | Screw-HH |
| 11:2 | 95-0645 | 1 | Plate-Surface, Hot | 32 | 110-5236 | 1 | Hub-Engine |
| 11:3 | 3269-32 | 2 | Rivet-Pop | 33 | 119-0652 | 1 | Coupler-Rubber |
| 12 | 110-6348-03 | 1 | Shield-Exhaust | 34 | 110-5227 | 1 | Hub-Pump |
| 14 | 107-7817 | 1 | Filter-Oil, Engine | 35 | 3296-47 | 4 | Nut-Lock,NI |
| 15 | 117-9576 | 1 | Hose-Air | 36 | 3241-7 | 2 | Screw-Set,Sqhd |
| 16 | 93-2190 | 1 | Air Cleaner ASM | 37 | 3241-6 | 2 | Screw-SQH |
| 17 | 95-5806 | 1 | Bracket-Mounting, Air Cleaner | 38 | 322-9 | 4 | Screw-HH |
| 18 | 2412-92 | 1 | Clamp-Hose | 39 | 85-9020 | 2 | Key-Square |
| 19 | 2412-3 | 1 | Clamp-Hose | 40 | 136-7859 | 1 | Rain Cap Kit |
| 20 | 322-10 | 4 | Screw-HH | 40:1 | 1-643009 | 1 | Clamp-Hose |

● Obtain parts from www.briggsandstratton.com

Air Cleaner Assembly No. 93-2190

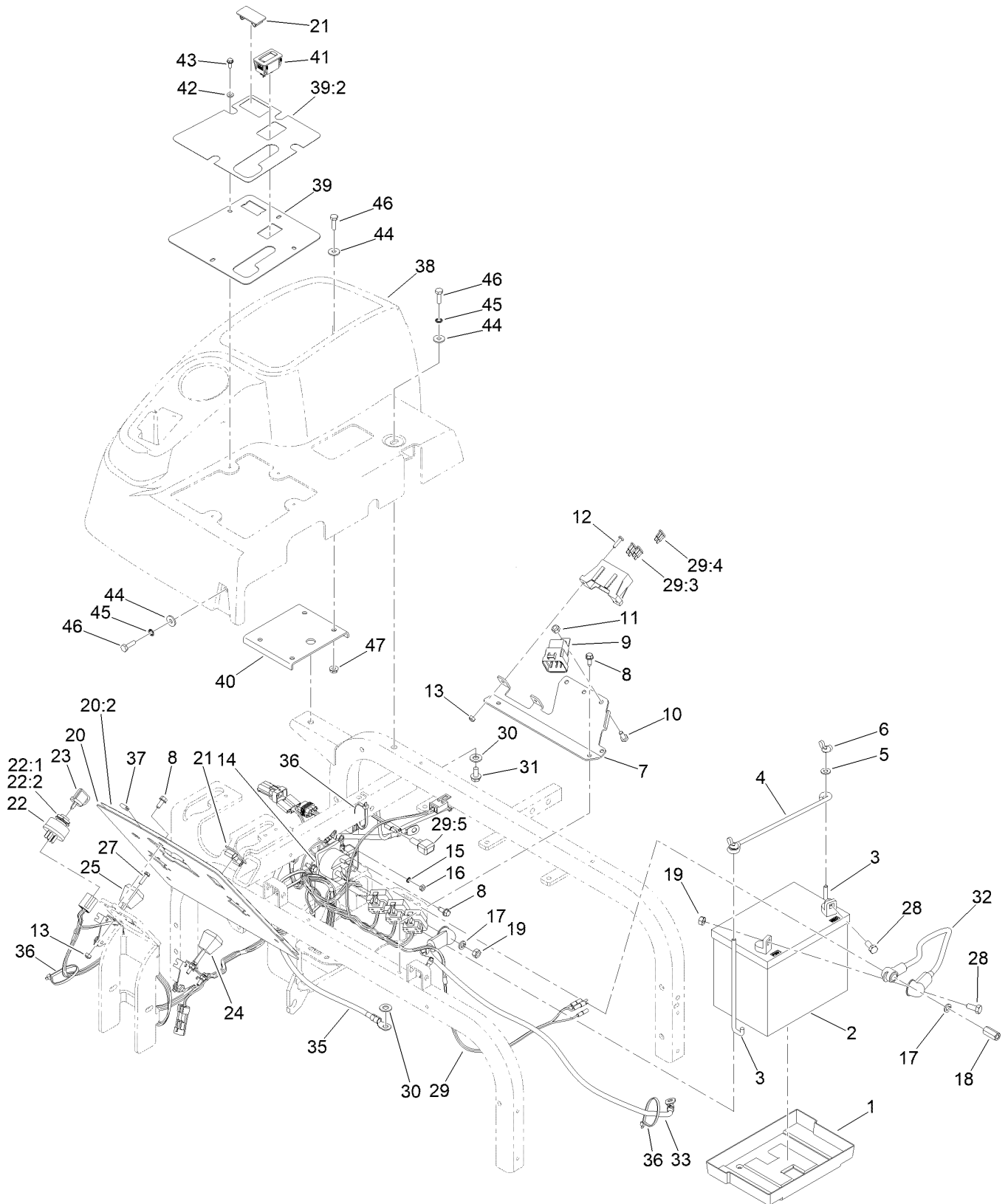


Air Cleaner Assembly No. 93-2190 (continued)

| <i>Ref.</i> | <i>Part Number</i> | <i>Qty.</i> | <i>Description</i> |
|-------------|--------------------|-------------|----------------------|
| 2 | 108-3811 | 1 | Filter-Air V-Twin HD |
| 3 | 94-3652 | 1 | Cover ASM |
| 3:1 | 1-643283 | 2 | Latch-Cleaner, Air |

| <i>Ref.</i> | <i>Part Number</i> | <i>Qty.</i> | <i>Description</i> |
|-------------|--------------------|-------------|--------------------|
| 4 | 87-9400 | 1 | Valve-Vacuator |
| 5 | 285-17 | 1 | Plug-Pipe |

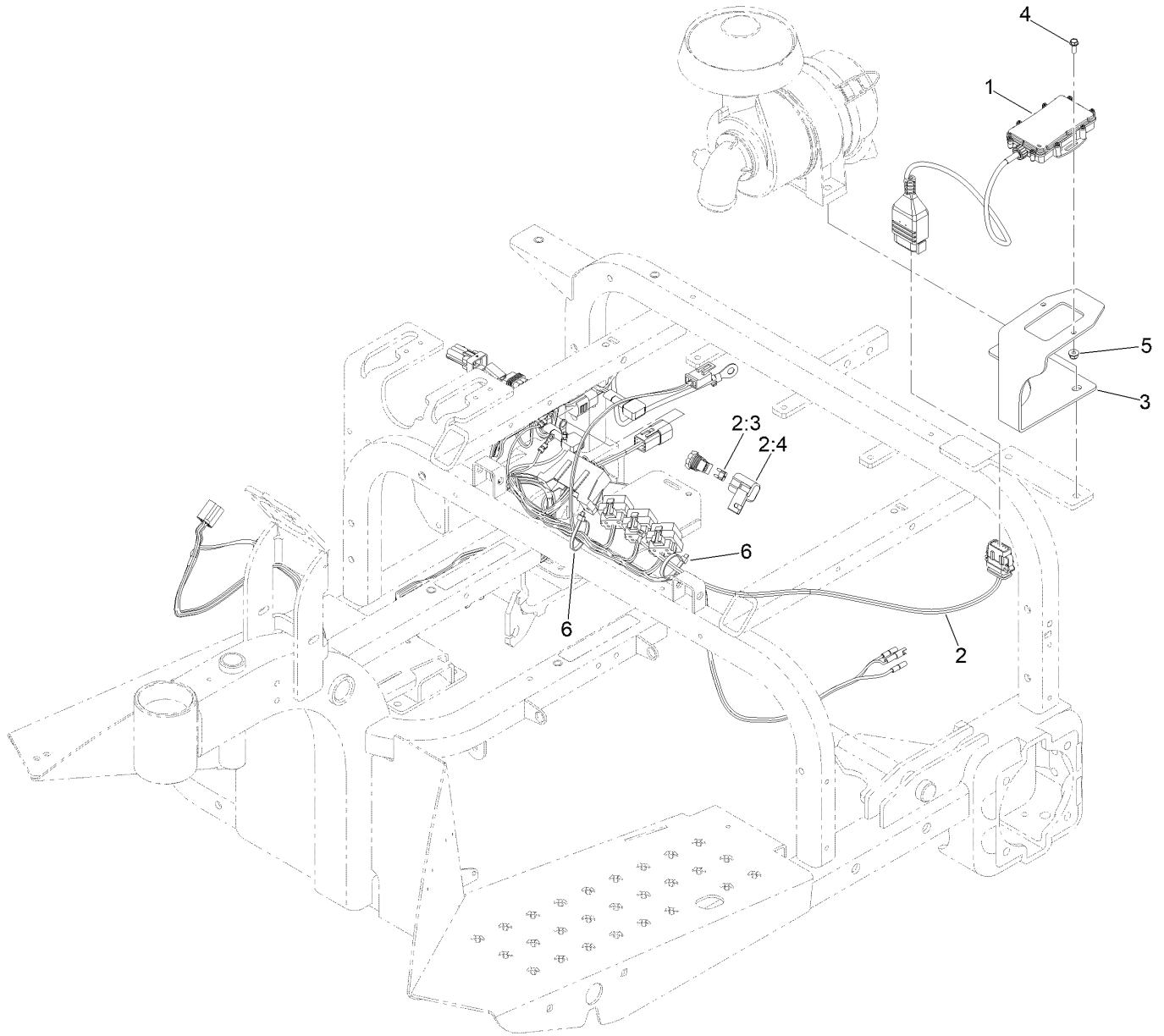
Electrical and Console Assembly



Electrical and Console Assembly (continued)

| <i>Ref.</i> | <i>Part Number</i> | <i>Qty.</i> | <i>Description</i> | <i>Ref.</i> | <i>Part Number</i> | <i>Qty.</i> | <i>Description</i> |
|-------------|--------------------|-------------|----------------------------|-------------|--------------------|-------------|-------------------------|
| 1 | 106948 | 1 | Tray-Battery | 24 | 119-7178 | 1 | Choke Cable ASM |
| 2 | 99-7421 | 1 | Battery- Wet, 12V, 300 CCA | 25 | 147-3652 | 1 | Cable ASM |
| 3 | 100-6435 | 2 | Post-Battery | 27 | 32105-13 | 4 | Screw-HWH |
| 4 | 100-6434 | 1 | Rod-Hold Down, Battery | 28 | 322-3 | 2 | Screw-HH |
| 5 | 3256-22 | 2 | Washer-Flat | 29 | 122-1403 | 1 | Harness-Wire |
| 6 | 32103-22 | 2 | Nut-Wing | 29:3 | 218-578 | 2 | Fuse-Blade, 10 Amp |
| 7 | 112-1444-01 | 1 | Bracket-Relay | 29:4 | 109101 | 1 | Fuse-Blade, 20 Amp |
| 8 | 32144-10 | 7 | Screw-HWH | 29:5 | 100-4918 | 2 | Diode |
| 9 | 99-7430 | 3 | Relay-Mini | 30 | 3256-23 | 2 | Washer-Plain |
| 10 | 321-3 | 3 | Screw-HH | 31 | 32144-14 | 1 | Screw-HWHTF |
| 11 | 3296-42 | 3 | Nut-Lock, NI | 32 | 110-3314 | 1 | Cable-Positive, Battery |
| 12 | 3250-13 | 2 | Screw-PPH | 33 | 110-3315 | 1 | Cable-Positive, Starter |
| 13 | 3296-2 | 6 | Nut-Lock, NI | 35 | 54-3093 | 1 | Cable-Battery, Negative |
| 14 | 28-4210 | 1 | Solenoid | 36 | 3290-378 | 6 | Tie-Cable |
| 15 | 3254-1 | 2 | Washer-Lock, Int | 37 | 119-2494 | 1 | Seal-Strip |
| 16 | 3219-14 | 2 | Nut-Hex | 38 | 108-2936 | 1 | Console |
| 17 | 3253-4 | 2 | Washer-Lock | 39 | 140-0320 | 1 | Lift Panel W/Decal |
| 18 | 110-3380 | 1 | Nut-Standoff | 39:2 | 108-8484 | 1 | Decal-Lift, Rear |
| 19 | 3218-13 | 3 | Nut-Jam, Brass | 40 | 108-7995-0P | 1 | Plate-Support, Console |
| 20 | 137-3388 | 1 | Control Panel ASM | 41 | 120-2244 | 1 | Hourmeter |
| 20:2 | 137-3387 | 1 | Decal-Dash | 42 | 3256-51 | 4 | Washer-Flat |
| 21 | 99-7420 | 2 | Plug-Hole | 43 | 3290-321 | 4 | Screw-HWH |
| 22 | 83-0020 | 1 | Switch-Ignition | 44 | 3256-78 | 7 | Washer-Flat |
| 22:1 | 218-461 | 1 | Nut-HH | 45 | 3254-8 | 3 | Washer-Lock |
| 22:2 | 3254-5 | 1 | Washer-Lock | 46 | 321-5 | 7 | Screw-HH |
| 23 | 63-8360 | 2 | Key-Ignition | 47 | 32128-33 | 4 | Nut-HF |

Vehicle Tracker Assembly



Vehicle Tracker Assembly (continued)

| <i>Ref.</i> | <i>Part Number</i> | <i>Qty.</i> | <i>Description</i> | <i>Ref.</i> | <i>Part Number</i> | <i>Qty.</i> | <i>Description</i> |
|-------------|--------------------|-------------|-------------------------|-------------|--------------------|-------------|--------------------|
| 1 | 122-3876 | 1 | Gateway-Telematics Lite | 3 | 163-1624-01 | 1 | Bracket-Telematic |
| 2 | 122-2160 | 1 | Harness-Wire | 4 | 137-3030 | 2 | Screw-HWH |
| 2:3 | 121-8861 | 1 | Fuse-Mini Blade, 2 Amp | 5 | 138-0719 | 2 | Nut-HF |
| 2:4 | 32180-101 | 1 | Cover-Fuse, Single | 6 | 3290-378 | 2 | Tie-Cable |

Attachments and Accessories

For 08743 — Sand Pro 3040 Traction Unit

| Product Name | Model/Part |
|--|-------------------|
| Midmount Toolbar System | 08838 |
| Weight Kit, Greensmaster and Sand Pro/Infield Pro Traction Unit..... | 100-6442 |
| Tooth Rake | 08751 |
| Spring Rake..... | 08752 |
| Rear Broom | 08753 |
| Finish Grader..... | 08754 |
| Manual Blade..... | 08714 |
| Spiker | 08755 |
| Drag Mat Carrier System | 08756 |
| Rear Remote Hydraulic Kit | 08781 |
| QAS Nail Drag | 08761 |
| QAS Bunker Pump | 08765 |
| LED Light Kit..... | 08740 |
| QAS Flex Tooth Rake | 08767 |
| Draw Bar Hitch Assembly | 110-1375 |
| Tire-Turf Tread..... | 121-9072 |
| Smooth Wheel and Tire Assembly..... | 112-0034 |
| Drag Mat Assembly | 112-1424 |
| Speed Limiter Kit | 110-1371 |
| Spark Arrestor Screen | 119-7185 |
| Armrest Kit..... | 126-2058 |
| Premium Engine Oil SAE 30 (Drum)..... | 108-1196 |
| Premium Engine Oil SAE 30 (Pail)..... | 108-1197 |
| Yellow Hydraulic Cap | 107-1576 |
| Yellow Hydraulic Fluid Cap (Tethered) | 107-2174 |
| Infield Pro 3040 Decal Kit | 115-5619 |
| MVP Kit 1000 Hour | 44957 |
| MVP Filter Kit..... | 30035 |
| Variable Orifice Kit | 112-1433 |
| Dark Metallic Gray Aerosol Paint | 361-12 |
| New Red Paint - Gallon | 361-11 |
| Air Dry Red Paint - Qt | 5340 |
| Knobby 2 Ply Tire..... | 85-8290 |
| Premium All Purpose Grease (Tube) | 108-1190 |
| Semi-Gloss Black Spray Paint..... | 361-9 |
| PX Hydraulic Fluid (5 Gal) | 133-8086 |
| PX Hydraulic Fluid (55 Gal)..... | 133-8087 |
| Wireless Hourmeter..... | 115-4754 |

Notes:



Count on it.