



**Count on it.**

**Parts Catalog**

**11-Blade EdgeSeries™ DPA  
Cutting Unit**

**Greensmaster® 3300, 3400, or 3360 with  
GeoLink® Mow Series Traction Unit**

**Model No. 04658—Serial No. 400000000 and Up**



# Ordering Replacement Parts

To order replacement parts, please supply the part number, the quantity, and the description of each part desired.

## Understanding Reference Numbers

Each identified part in an illustration has a reference number. The reference number for a part also appears in the parts list, along with other information about the part.

This catalog uses two special reference number formats, one to indicate parts in a service assembly and another to indicate the quantity of a given part in an illustration.

## Service Assembly Reference Numbers

Parts in service assemblies have reference numbers in the form a:b. The a represents the reference number of the entire service assembly and the b represents a sequential number unique to each part within the service assembly.

For example, a wheel assembly might be identified by reference number 6, the tire by 6:1, the valve by 6:2, and the wheel by 6:3. When you order the assembly identified by reference number 6, you receive all parts identified by reference numbers 6:1, 6:2, and 6:3. However, you may also order any part individually. Reference numbers of this type appear in illustration and in parts lists.

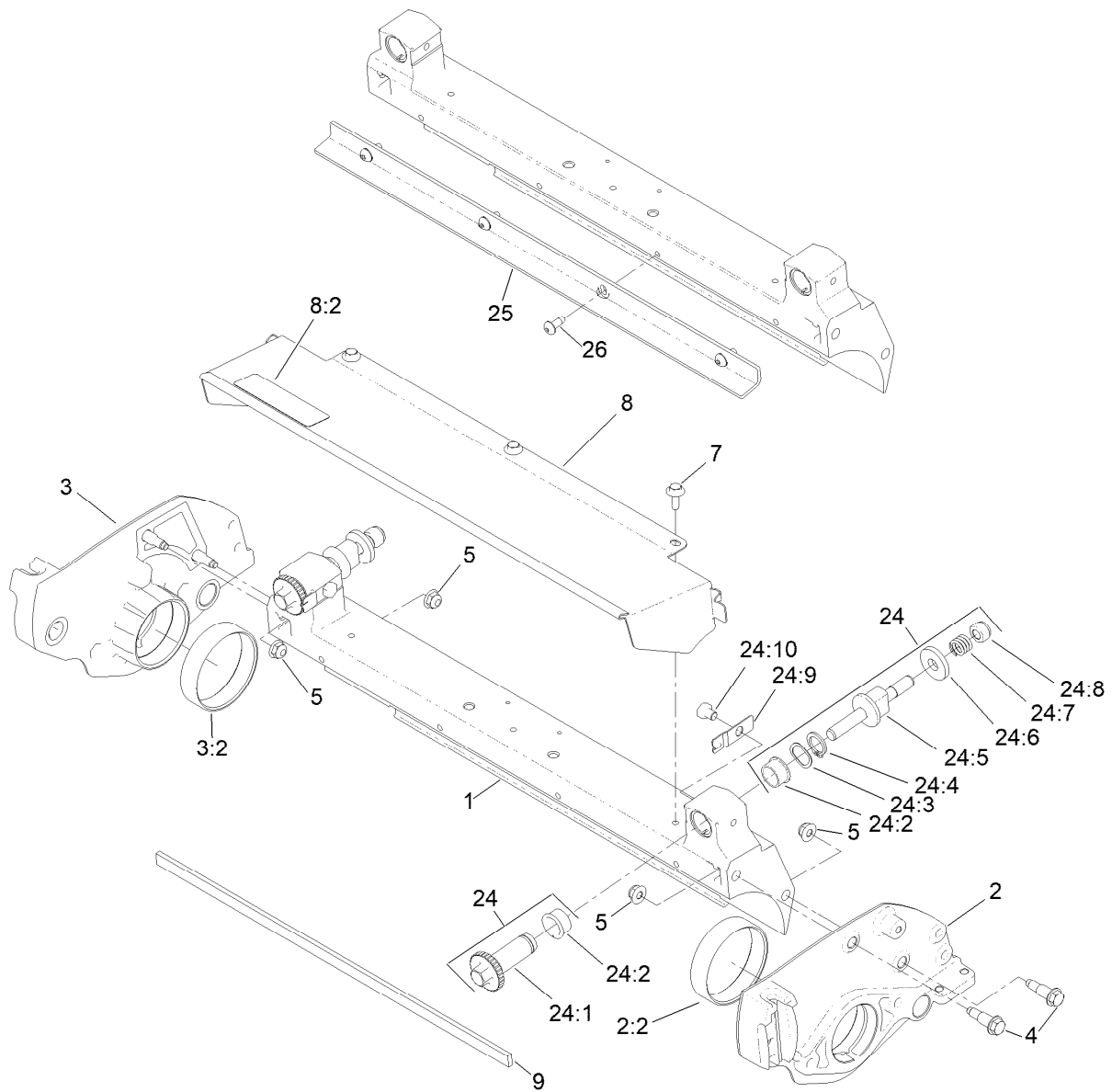
## Reference Numbers Indicating Quantity

In an illustration, if a reference number indicates more than one part, the reference number has the form nX y. The n represents the quantity of the part, the X is the multiplication symbol, and the y represents the reference number.

For example, in an illustration, the reference number 2X 37 means that two of the parts identified by reference number 37 are indicated.

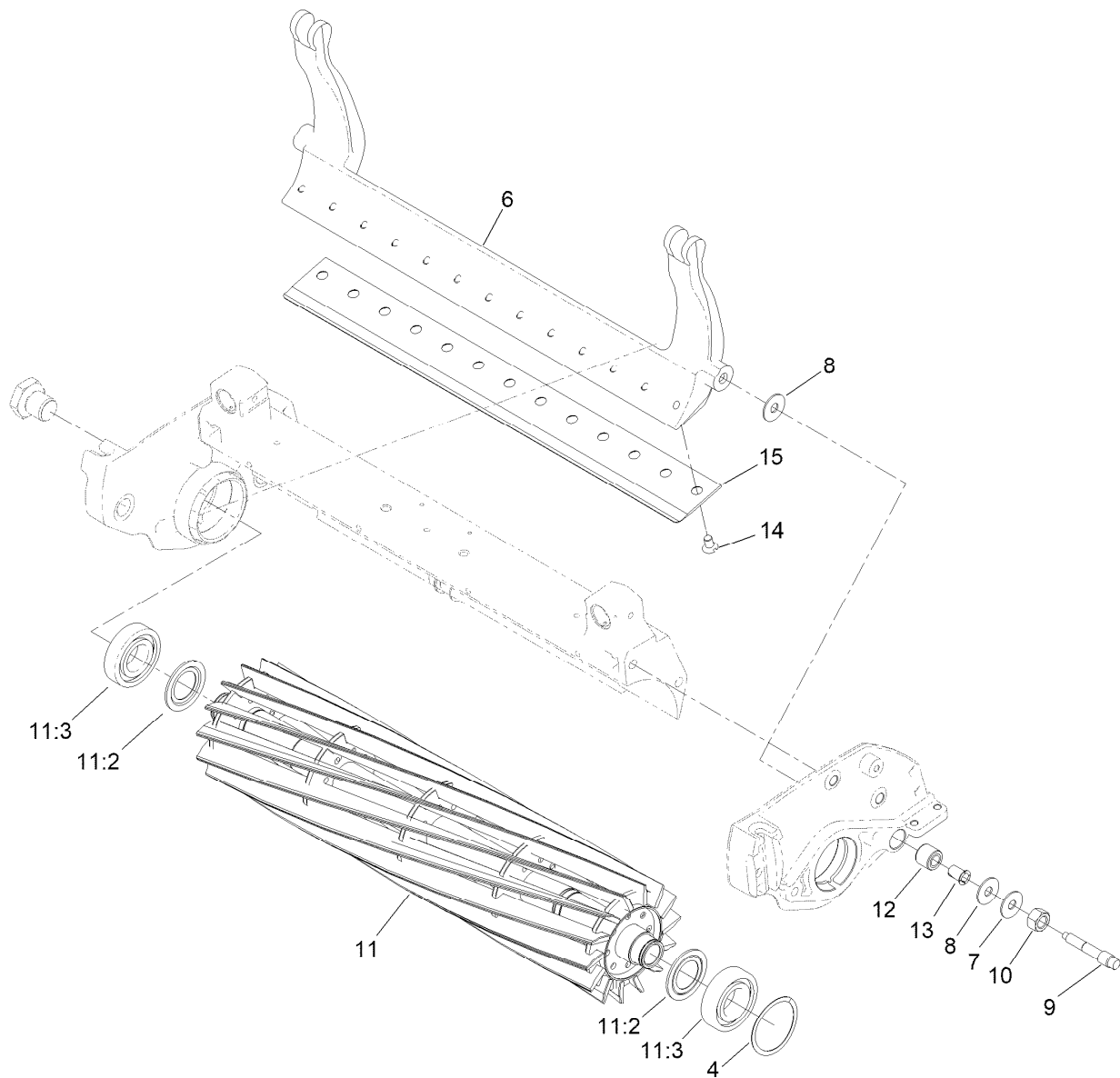
# Contents

Frame Assembly.....	4
Reel Assembly.....	5
Rear Roller Assembly.....	6
Roller Rebuild Kit Assembly No. 140-5552.....	7
Pitch Arm and Weight Assembly.....	8
Roller Assembly.....	9
Attachments and Accessories.....	11



## Frame Assembly

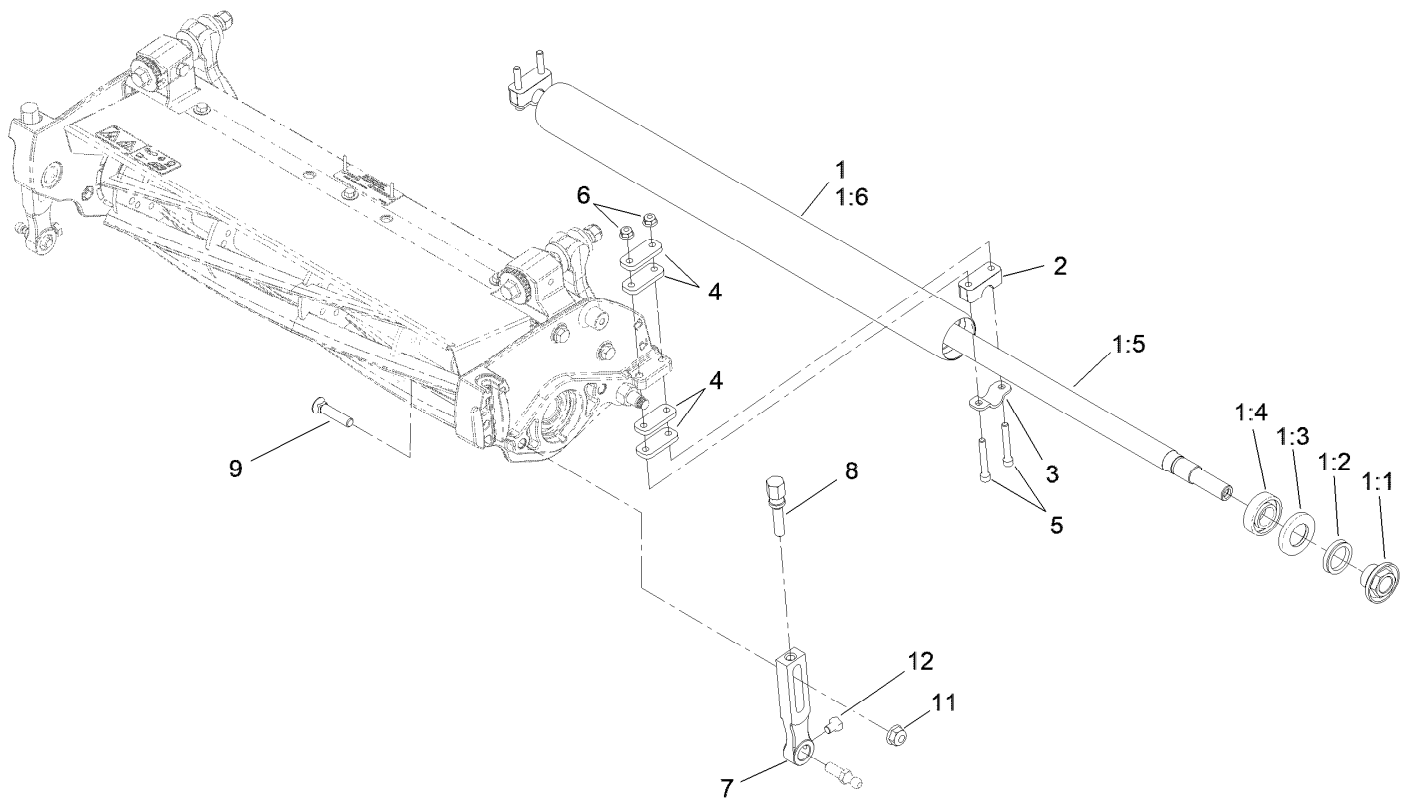
<i>Ref.</i>	<i>Part Number</i>	<i>Qty.</i>	<i>Description</i>	<i>Ref.</i>	<i>Part Number</i>	<i>Qty.</i>	<i>Description</i>
1	119-9303	1	Crossmember	24:1	106-5363	2	Shaft-Adjuster
2	119-4005	1	LH Sideplate ASM	24:2	106-5344	4	Bushing-Flange, Keyed
2:2	117-6619	1	Bushing	24:3	119-4164	2	Washer-Wave
3	119-4007	1	RH Sideplate ASM	24:4	32120-93	2	Ring-Retaining
3:2	117-6619	1	Bushing	24:5	137-6130	2	Screw-Adjuster, Bedbar
4	115-7042	4	Bolt-Shoulder, Flange	24:6	119-4155	2	Washer-Hardened
5	119-4041	4	Nut-HF	24:7	119-4156	2	Spring-Compression
7	119-4012	3	Screw-HWHTF	24:8	119-4039	2	Nut-Hex
8	119-4095	1	Grass Shield ASM	24:9	99-2097	2	Detent
8:2	137-9706	1	Decal-Warning	24:10	119-4067	2	Screw-HH
9	106-2619	1	Strip-Seal	25	147-1290-03	1	Bar-Cutoff
24	121-2637	1	DPA Rebuild Kit	26	87-6620	4	Screw-Tph Thd Form



## Reel Assembly

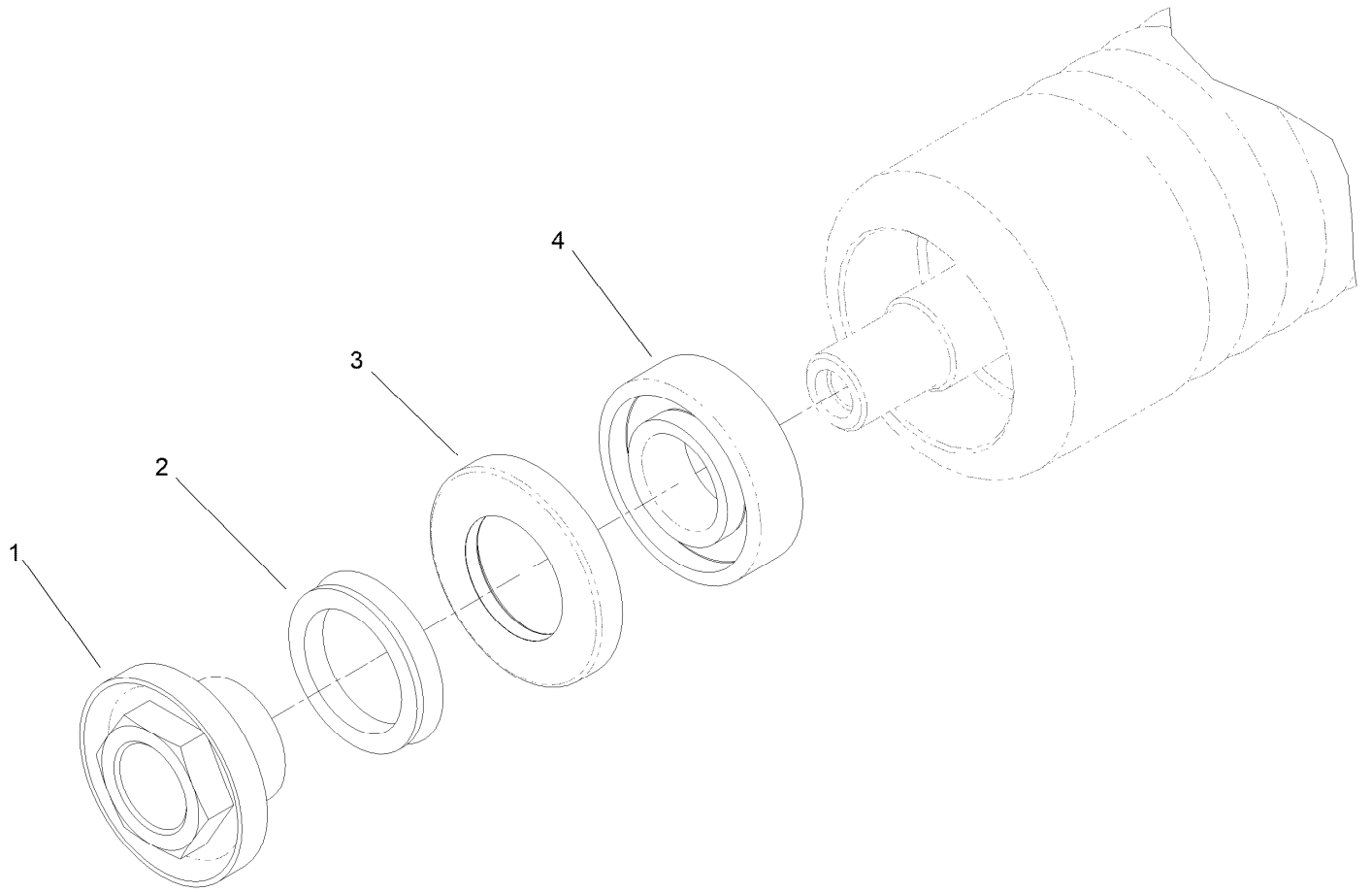
Ref.	Part Number	Qty.	Description	Ref.	Part Number	Qty.	Description
4	115-5258	1	Spring-Wire, Flat	15	108-4302	1	Bedknife-Tournament, Extended (GR21) ●
6	106-2648-01	1	Bedbar	15	108-4303	1	Bedknife-Microcut, Extended (GR21) ●
7	119-4150	2	Washer-Flat	15	115-1880	1	Bedknife-Edgemax Microcut (GR21) ●
8	52-2900	4	Washer-Plastic	15	115-1881	1	Bedknife-Edgemax Tournament (GR21)
9	117-9493	2	Bolt-Bedbar	15	137-6092	1	Bedknife-Edgemax Fairway (GR21) ●
10	140-9234	2	Nut-Hex Lock	15	137-6097	1	Bedknife-Fairway (GR21) ●
11	137-8511	1	21 Inch 8 Blade Low Drag Edge Series+ Reel ASM	15	93-4262	1	Bedknife-Microcut (GR21) ●
11	137-8512	1	21 Inch 11 Blade Low Drag Edge Series+ Reel ASM	15	93-4263	1	Bedknife-Tournament Cut (GR21) ●
11	137-8513	1	21 Inch 14 Blade Low Drag Edge Series+ Reel ASM	15	93-4264	1	Bedknife-Low Cut (GR21) ●
11:2	115-3299	2	Seal-Flocked	15	94-6392	1	Bedknife-Highcut (GR21) ●
11:3	140-5510	2	Bearing-Sealed, Stainless				
12	119-4153	2	Rubber Bushing ASM				
13	52-2890	2	Bushing-Nylon				
14	119-4151	13	Screw-Bedknife				

● Optional Equipment



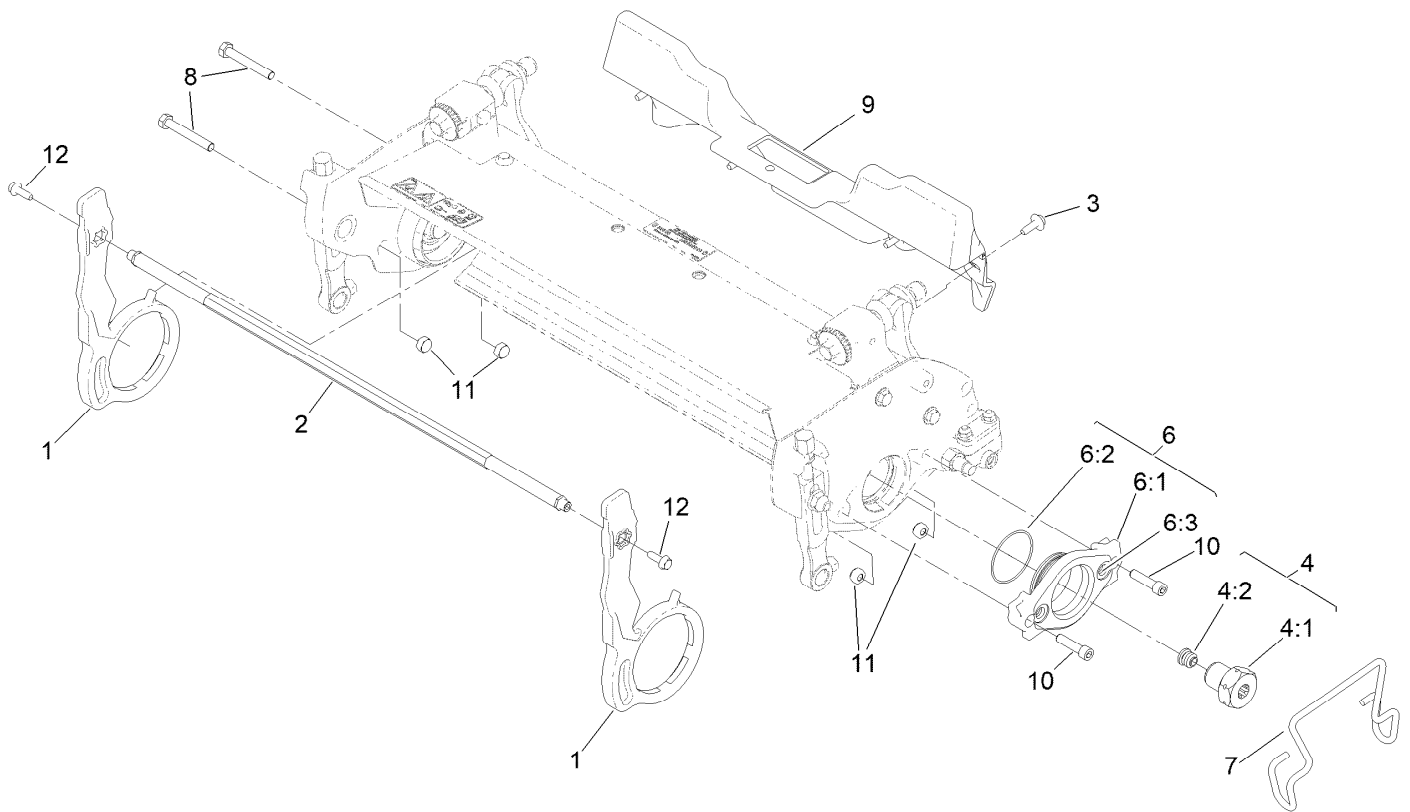
## Rear Roller Assembly

Ref.	Part Number	Qty.	Description	Ref.	Part Number	Qty.	Description
1	140-5560	1	GR21 Steel Rear Roller ASM (2.0In)	3	119-4157	2	Retainer-Shaft
1:1	108-3151	2	Nut-Lock, Bearing (Service)	4	119-4165	8	Shim-Height, Roller
1:2	106-6942	2	V-Ring	5	3274-54	4	Screw-HSH
1:3	106-6941	2	Seal	6	119-4040	4	Nut-HF, NI
1:4	251-347	2	Bearing-Ball	7	140-5691	2	Bracket-GR Front HOC
1:5	147-1347	1	Shaft-Roller (21In)	8	110-7352	2	Screw-HOC
1:6	140-5541	1	Tube Roller 2.0In DIA X 22.15In	9	99-3773	2	Bolt-Plow
2	119-4166	2	Spacer-Height, Roller	11	133-7570	2	Nut-Flange, NI
				12	119-4067	2	Screw-HH



## Roller Rebuild Kit Assembly No. 140-5552

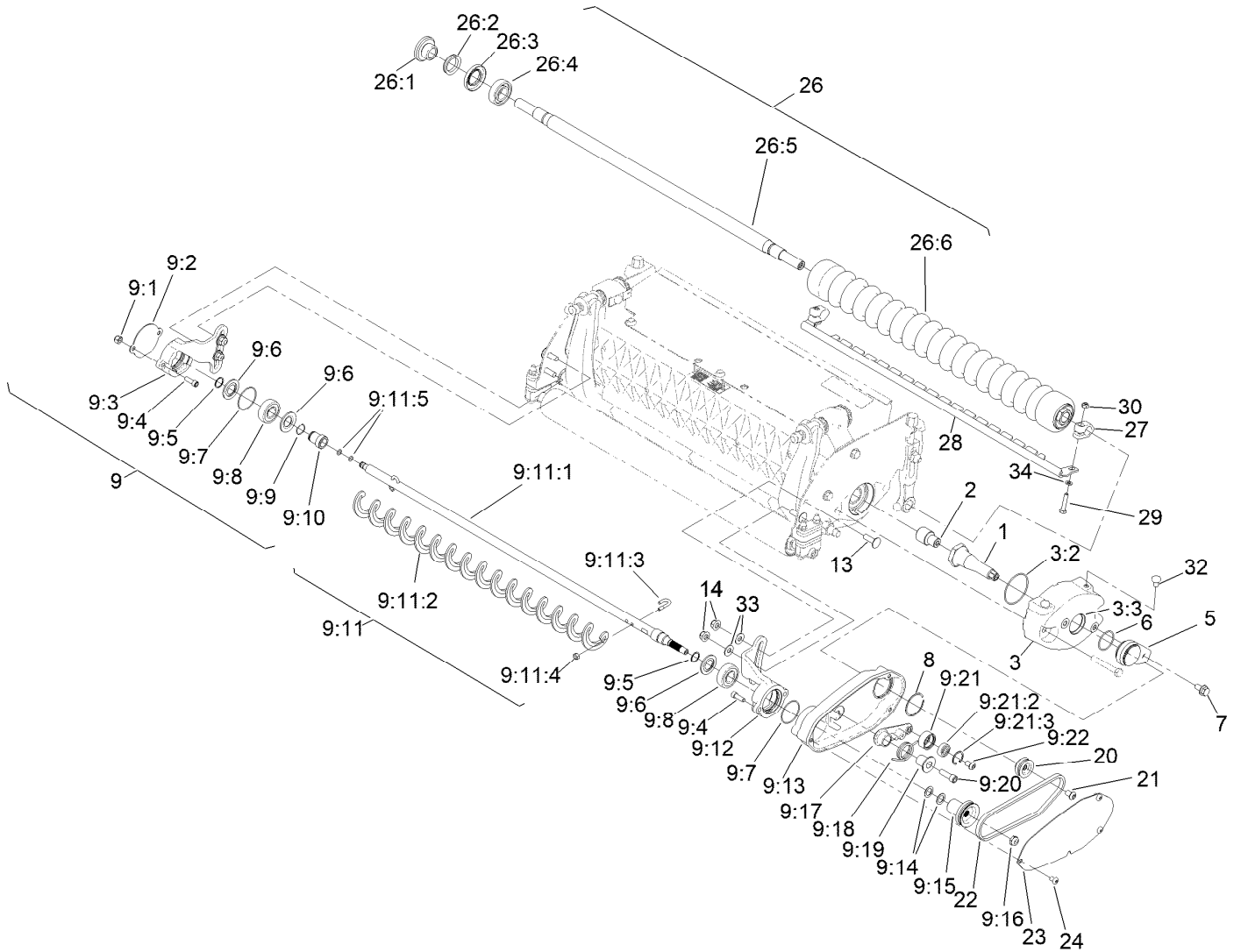
<i>Ref.</i>	<i>Part Number</i>	<i>Qty.</i>	<i>Description</i>
1	108-3151	2	Nut-Lock, Bearing (Service)
2	106-6942	2	V-Ring
3	106-6941	2	Seal
4	251-347	2	Bearing-Ball



## Pitch Arm and Weight Assembly

Ref.	Part Number	Qty.	Description	Ref.	Part Number	Qty.	Description
1	147-0901	2	Arm-Pitch	6:2	360-0398	1	O-Ring
2	117-9456	1	Crosslink	6:3	237-22	2	O-Ring
3	119-4012	4	Screw-HWHTF	7	117-6706	1	Clamp-Motor
4	120-3221	1	LH Reel Nut ASM	8	322-11	2	Screw-HH
4:1		1	Nut-Reel, Splined (LH) ●	9	117-6849	1	Shield-Spring
4:2	120-3220	1	Plug-Plastic	10	3274-18	2	Screw-HSH
6	115-5227	1	Motor Adapter ASM	11	119-4038	4	Nut-Hex
6:1	115-3294	1	Adaptor-Motor	12	131-6150	2	Screw-HWHTF

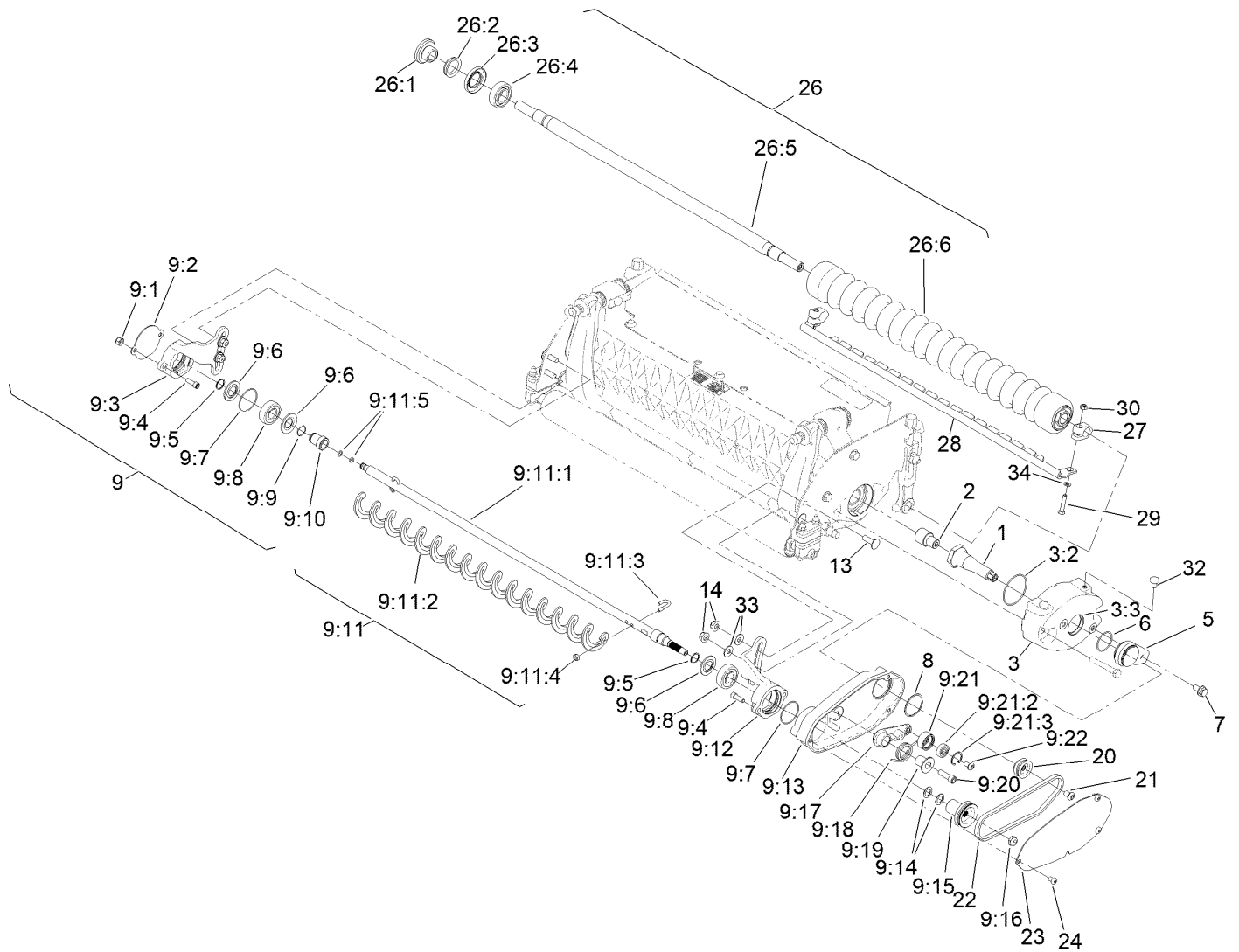
● Not serviced separately



## Roller Assembly

Ref.	Part Number	Qty.	Description	Ref.	Part Number	Qty.	Description
1	131-1842	1	Shaft-Drive	9:9	115-7143	1	Spring-Wave
2	147-1040	1	Adapter-RH (GR)	9:10	132-0718	1	Collar-Shaft, Stepped
3	115-3340	1	Weight ASM, GR	9:11	132-0724	1	Rollerbrush ASM
3:2	360-0398	1	O-Ring	9:11:1	132-0702	1	Shaft-Brush
3:3	121-4609	1	Plug-Expansion	9:11:2	105-6792	1	Brush-Roller
5	131-1852	1	Adapter-Housing	9:11:3	104-1830	2	Bolt-J
6	119-1156	1	O-Ring	9:11:4	3296-2	2	Nut-Lock, NI
7	114-7728	1	Screw-HHF, Patch	9:11:5	132-0717	2	O Ring
8	131-1880	1	Ring-Retaining, EXT	9:12	131-1838	1	Bracket-Bearing, RH
9		1	GR RRB Sub-Assembly ●	9:13	120-2830	1	Housing-Drive, Brush
9:1	3296-42	2	Nut-Lock, NI	9:14	112-6957	2	Washer-Hardened
9:2	131-1844	1	Cover-Bearing	9:15	132-0701	1	Pulley-Driven
9:3	131-1840	1	Bracket-Bearing, LH	9:16	121-4600	1	Nut-Hex
9:4	3274-8	4	Screw-HSH	9:17	131-1846	1	Idler-Drive
9:5	132-0716	2	Ring-Retaining, External	9:18	131-1848	1	Spring-Torsion
9:6	132-0700	3	Seal-Flocked	9:19	131-1847	1	Bushing-Idler
9:7	131-1864	2	O-Ring	9:20	127-8633	1	Screw-HSH, Patch
9:8	132-0703	2	Bearing-Ball, Spherical	9:21	161-7356	1	Pulley - Idler, ASM

● Not serviced separately



## Roller Assembly (continued)

<i>Ref.</i>	<i>Part Number</i>	<i>Qty.</i>	<i>Description</i>	<i>Ref.</i>	<i>Part Number</i>	<i>Qty.</i>	<i>Description</i>
9:21:2	251-259	1	Bearing-Ball	26:3	106-6941	2	Seal
9:21:3	104-4727	1	Ring-Retaining	26:4	251-347	2	Bearing-Ball
9:22	131-1884	1	Screw-HSBH,Patch	26:5	147-1347	1	Shaft-Roller (21In)
13	3290-511	4	Screw-HSBH	26:6	147-1213	1	Tube-Roller, Hhoc Wide Wiehle(21In,Cz)
14	104-8300	4	Nut-HF, NI	27	115-7364	2	Block-Clamp, Scraper
20	131-1855	1	Pulley-Drive	28	147-1330-03	1	Scraper-Wiehle, GR (21In) [black]
21	131-1884	1	Screw-HSBH,Patch	29	115-7372	2	Screw-HH
22	105-5720	1	Belt-V, Poly	30	115-7373	2	Nut-Lock
23	131-1843-03	1	Cover-Drive, Belt	32	119-4067	2	Screw-HH
24	131-1883	3	Screw-HSBH	33	98-3499	4	Washer-Flat
26	147-1215	1	GR21 Hhoc Wide Wiehle Roller ASM (Steel)	34	33093-00	2	Washer-Flat
26:1	147-0701	2	Nut-Lock, Bearing				
26:2	106-6942	2	V-Ring				

● Not serviced separately

# Attachments and Accessories

**For 04658 — 11-Blade EdgeSeries DPA Cutting Unit Greensmaster 3300, 3400, or 3360 with GeoLink Mow Series Traction Unit**

<b>Product Name</b>	<b>Model/Part</b>
Narrow Wiehle Roller (Qty 1) .....	04255
Wide Wiehle Roller (Qty 1) .....	04256
Front Full Smooth Roller (Qty 1) .....	04257
Extended Narrow Wiehle Roller (Qty 1) .....	04258
Paspalum Wiehle Roller (Qty 1).....	04267
Turf Evaluator .....	04399
Steel Roller (Qty 1) .....	04628
Steel Roller Asm .....	107-3509
Narrow Wiehle Steel Roller Asm.....	107-3510
Wide Wiehle Steel Roller Asm .....	107-3514
Narrow Wiehle Roller Kit.....	115-7360
Front Brush for Narrow Wiehle Roller (Qty 1).....	115-7377
Front Brush for Wide Wiehle Roller (Qty 1) .....	115-7378
Front Brush for Full Roller (Qty 1) .....	115-7379
Front Comb for Narrow Wiehle Roller (Qty 1).....	115-7380
Front Comb for Wide Wiehle Roller (Qty 1).....	115-7381
Front Comb for Full Roller (Qty 1) .....	115-7382
Wide Wiehle Roller Kit .....	115-7386
Rear Roller Adjustment (Qty 1).....	120-9602
Rear Roller Scraper (Qty 1) .....	121-2260
Extended Wiehle Roller Kit .....	121-4675
Paspalum Wiehle Roller .....	121-9535
Front Scraper for Narrow Wiehle Roller (Qty 1).....	125-3503
Front Scraper for Wide Wiehle Roller (Qty 1) .....	125-3504
Front Scraper for Full Roller (Qty 1) .....	125-3505
GR Roller Rebuild Kit.....	140-5552
Roller Rebuild Tool Kit, Greensmaster Cutting Units .....	140-5553
Full Rear Roller(2.0in Dia)(21in) .....	140-5560
Cast Iron Wiehle Roller (Qty 1) .....	71-1550
Height-of-Cut Bar.....	94-9010



**Count on it.**