



Count on it.

Parts Catalog

**Turf Pro™ 300
Robotic Mower**

Model No. 30923EU—Serial No. 325000000 and Up



Ordering Replacement Parts

To order replacement parts, please supply the part number, the quantity, and the description of each part desired.

Understanding Reference Numbers

Each identified part in an illustration has a reference number. The reference number for a part also appears in the parts list, along with other information about the part.

This catalog uses two special reference number formats, one to indicate parts in a service assembly and another to indicate the quantity of a given part in an illustration.

Service Assembly Reference Numbers

Parts in service assemblies have reference numbers in the form a:b. The a represents the reference number of the entire service assembly and the b represents a sequential number unique to each part within the service assembly.

For example, a wheel assembly might be identified by reference number 6, the tire by 6:1, the valve by 6:2, and the wheel by 6:3. When you order the assembly identified by reference number 6, you receive all parts identified by reference numbers 6:1, 6:2, and 6:3. However, you may also order any part individually. Reference numbers of this type appear in illustration and in parts lists.

Reference Numbers Indicating Quantity

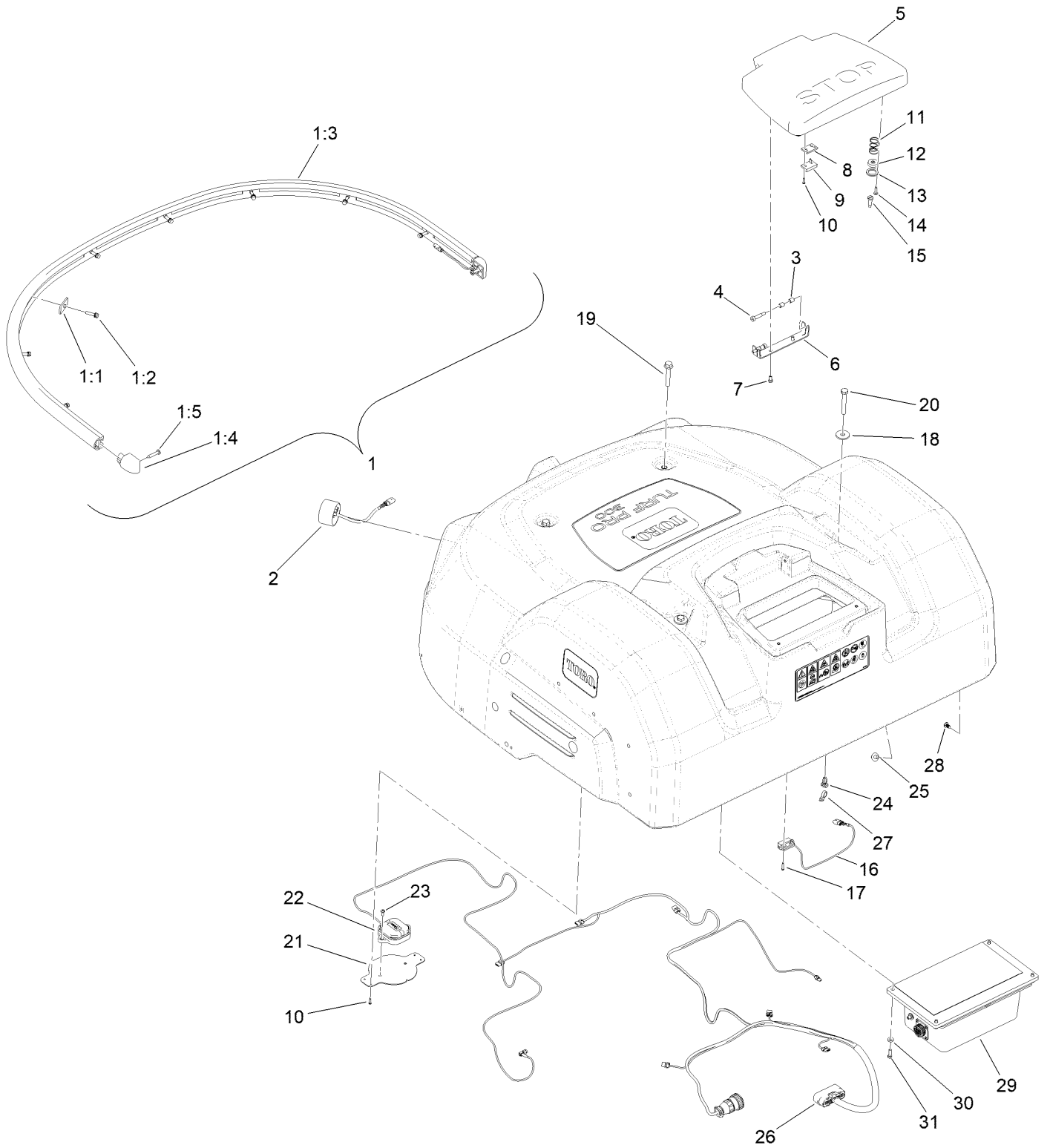
In an illustration, if a reference number indicates more than one part, the reference number has the form nX y. The n represents the quantity of the part, the X is the multiplication symbol, and the y represents the reference number.

For example, in an illustration, the reference number 2X 37 means that two of the parts identified by reference number 37 are indicated.

Contents

Body Assembly	4
Charging Housing Assembly	6
Base Station Panel Assembly	8
Cutting Height Assembly	10
Electrical Box and Battery Assembly	12
Frame Support Assembly	14
Lift Sensors Assembly	16
Wheels and Drive Motor Assembly	18
Cutting Heads Assembly	20
Cutting Disc Assembly No. 163-5579	22
Electrical Parts Assembly	24
Attachments and Accessories	26

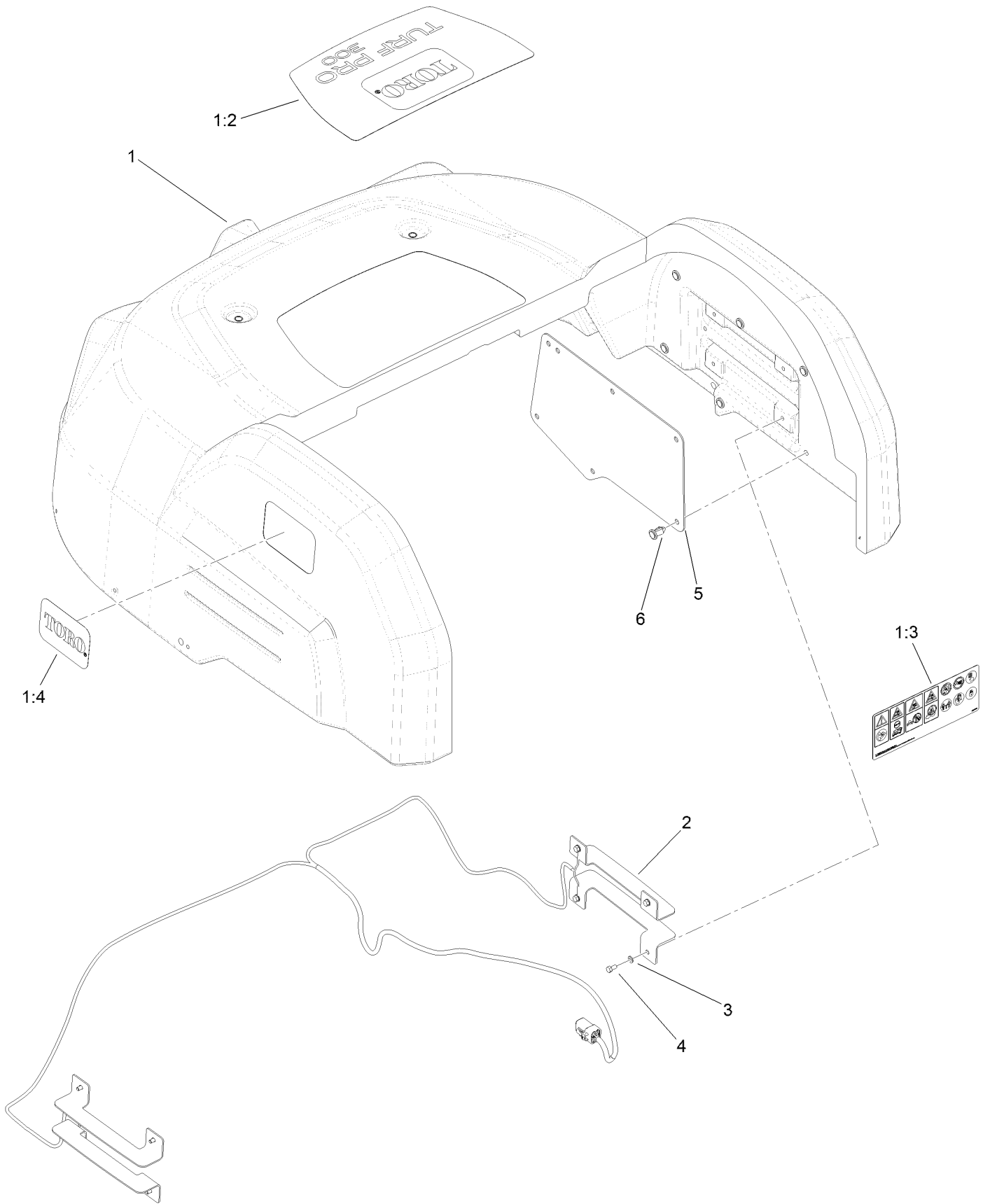
Body Assembly



Body Assembly (continued)

<i>Ref.</i>	<i>Part Number</i>	<i>Qty.</i>	<i>Description</i>	<i>Ref.</i>	<i>Part Number</i>	<i>Qty.</i>	<i>Description</i>
1	164-0087	1	Bumper Kit	14	163-5396	6	Screw-Pzfbh, Plastic
1:1	163-5375	8	Plate-Nut	15	163-5388	2	Screw-Shoulder
1:2	163-5374	8	Screw-HWH, Sems	16	163-5379	1	Harness-Stop Button
1:3	164-0089	1	Bumper ASM	17	163-5380	2	Screw-Pzrh, Plastic
1:4	163-5373	2	End Cap, Bumper	18	163-5400	2	Washer-Flat
1:5	163-5376	2	Screw-Pzph	19	163-3846	2	Screw-Hfh
2	164-0084	5	Sensor-Ultrasonic	20	163-5399	2	Screw-HH
3	163-5390	4	Spacer	21	163-5557	1	Antenna Support ASM
4	163-5389	2	Screw-Shoulder	22	163-5558	1	Antenna-Rtk
5	163-5391	1	Button-Stop	23	163-5559	2	Screw-PPH
6	163-5397	1	Bracket-Hinge, Stop Button	24	163-5384	32	Mount-Cable Tie
7	163-5382	2	Screw-HH	25	163-5385	1	Mount-Cable Tie
8	163-5402	1	Spacer-Switch, Reed	26	163-5679	1	Harness-Jae Bodywork
9	163-5392	1	Magnet-Bonnet	27	3290-378	33	Tie-Cable
10	163-5523	6	Screw-Pz, Plastic	28	163-5401	6	Rivet-Push
11	163-5393	2	Spring-Compression	29	163-5583	1	Smartbox-EU
12	163-5394	2	Magnet	30	163-5554	4	Washer-Flat
13	163-5395	2	Washer-Lock	31	163-5553	4	Screw-HH

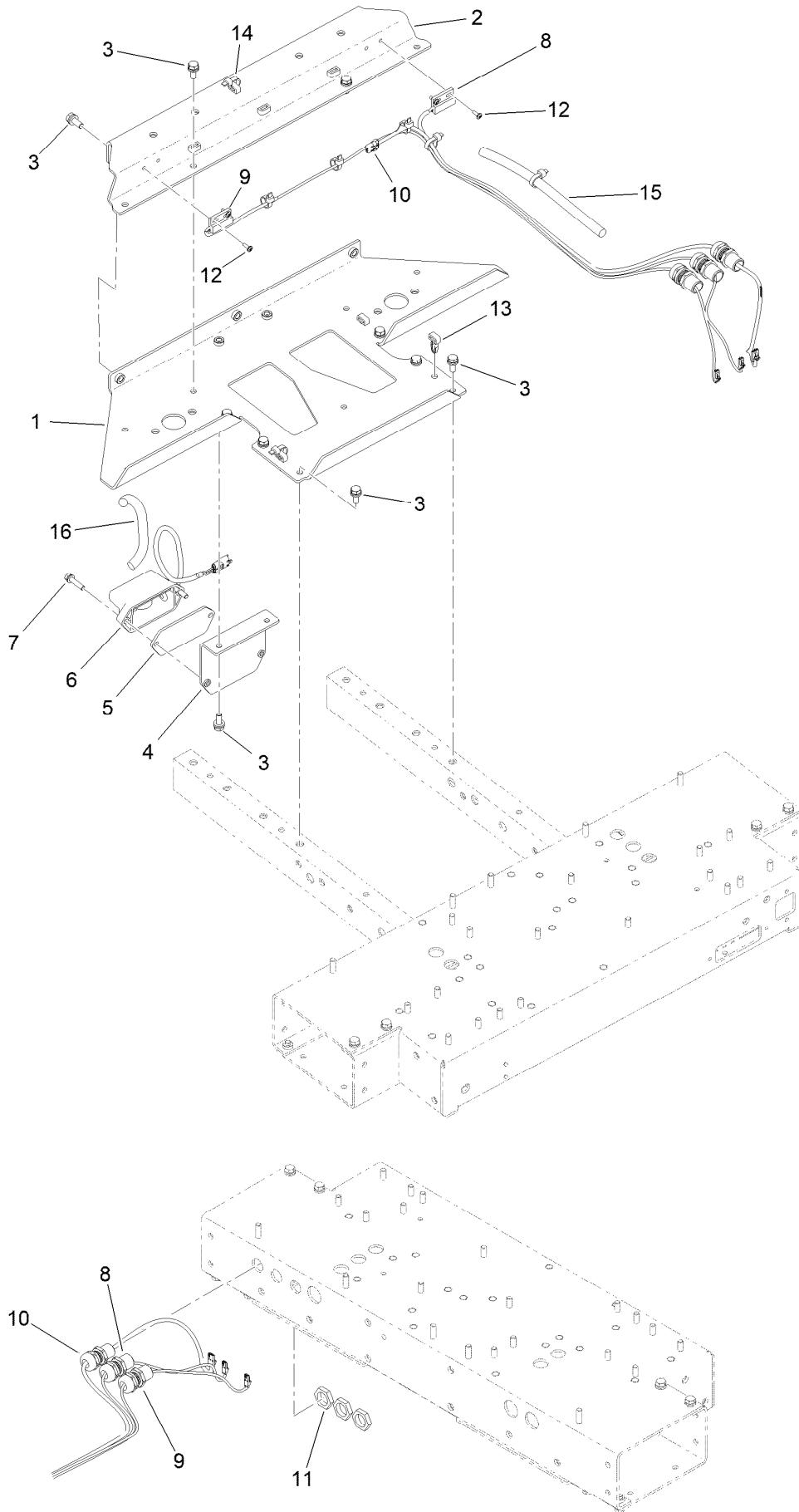
Charging Housing Assembly



Charging Housing Assembly (continued)

<i>Ref.</i>	<i>Part Number</i>	<i>Qty.</i>	<i>Description</i>	<i>Ref.</i>	<i>Part Number</i>	<i>Qty.</i>	<i>Description</i>
1	163-5364	1	Body Service ASM	3	163-5383	8	Washer-Flat
1:2	163-3958	1	Decal-Turf Pro 300, Top	4	163-5382	8	Screw-HH
1:3	163-3955	1	Decal-Panel	5	163-5595	2	Panel-Protection, Contacts
1:4	161-6663	2	Decal-Toro Logo	6	163-5387	12	Rivet-Push
2	163-5593	1	Charge Cable ASM				

Base Station Panel Assembly



CABLE ASSEMBLY VIEW

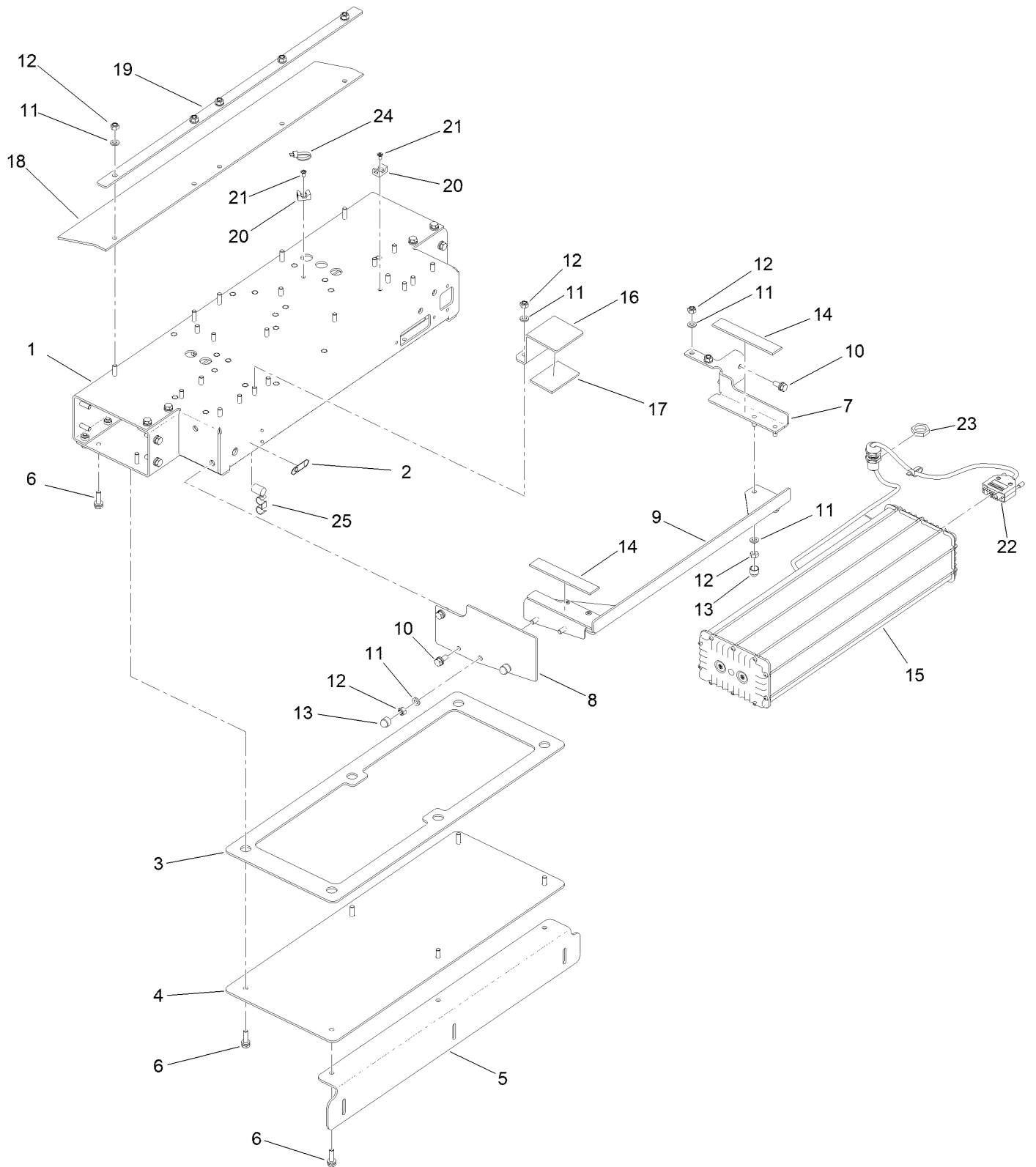
Base Station Panel Assembly (continued)

<i>Ref.</i>	<i>Part Number</i>	<i>Qty.</i>	<i>Description</i>	<i>Ref.</i>	<i>Part Number</i>	<i>Qty.</i>	<i>Description</i>
1	163-5614	1	Front Plate ASM	9	163-5620	1	Sensor-Proximity
2	163-5615	1	Front Crossbar ASM	10	163-5675	1	Cable-Coil, Central
3	163-5408	13	Screw-HWH, Sems	11	163-5418	3	Nut-Cable, Gland
4	163-5455	1	Bracket-Mount, Coil	12	163-5413	4	Screw-Hsbhf
5	163-5404	1	Foam-Mount, Coil	13	163-5384	7	Mount-Cable Tie
6	163-5405	1	Coil	14	3290-378	7	Tie-Cable
7	163-5374	2	Screw-HWH, Sems	15	163-5412	1	Loom-Wire, Spiral
8	163-5619	1	Sensor-Proximity	16	163-5406	1	Loom-Wire, Split

Cutting Height Assembly (continued)

<i>Ref.</i>	<i>Part Number</i>	<i>Qty.</i>	<i>Description</i>	<i>Ref.</i>	<i>Part Number</i>	<i>Qty.</i>	<i>Description</i>
1	163-5415	1	Cover-Motor, Lifting	14	163-5626	1	Strap- Nylon, Medium
2	163-5414	1	Motor-Lifting	15	163-5433	10	Washer-Flat
3	163-5418	2	Nut-Cable, Gland	16	163-5434	5	Nut-Hex, NI
4	163-5383	4	Washer-Flat	17	163-5432	5	Screw-HH
5	163-5382	4	Screw-HH	18	163-5429	4	Hub-Strap, Lift
6	163-5417	5	Washer-Flat	19	163-5625	1	Tube-Lift
7	163-5416	5	Nut-Hex, NI	20	163-5426	2	Plug-Cap, Round
8	163-5436	1	Pulley-Drive, Lift	21	163-5435	4	Screw-Pzph
9	163-5438	1	Screw-Set	22	163-5427	2	Ring-Thrust
10	163-5437	1	Mount-Magnet, Sensor	23	163-5428	2	Screw-HSH
11	163-5421	4	Screw-Hsbhf	24	163-5430	3	Strap-Nylon, Short
12	163-5419	1	Bracket-Mount, Sensor	25	163-5627	2	Bracket-Strap, Medium
13	163-5420	1	Sensor-Angular	26	163-5423	1	Bracket-Strap, Short
13:1	164-0091	1	Magnet-Switch	27	163-5439	3	Pin-Locking, Strap

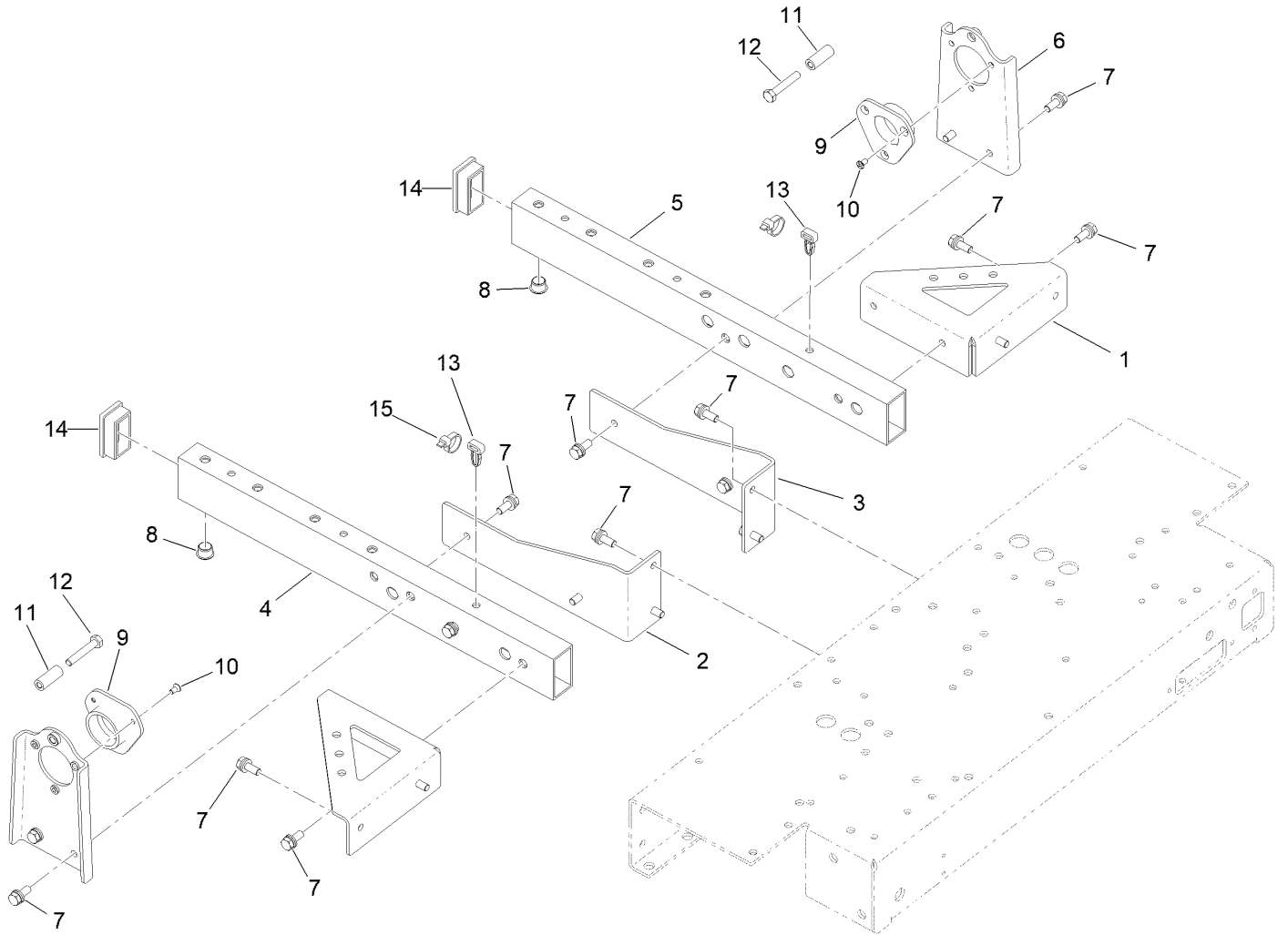
Electrical Box and Battery Assembly



Electrical Box and Battery Assembly (continued)

<i>Ref.</i>	<i>Part Number</i>	<i>Qty.</i>	<i>Description</i>	<i>Ref.</i>	<i>Part Number</i>	<i>Qty.</i>	<i>Description</i>
1	163-5597	1	Electrical Box ASM	13	163-5635	4	Cap-Nut
2	163-5628	1	Decal-On-Off, Horizontal	14	163-5452	2	Pad-Rubber, Battery
3	163-5629	1	Seal-Foam, Door	15	164-0085	1	Battery
4	163-5630	1	Plate-Door, Electrical Box	16	163-5636	1	Bracket-Retainer, Battery
5	163-5631	1	Guard-Rear	17	163-5461	1	Pad-Rubber, Battery
6	163-5448	18	Screw-HWH, Sems	18	163-5637	1	Guard-Rubber
7	163-5632	1	Battery Mount ASM, RH	19	163-5638	1	Plate-Guard, Rubber
8	163-5633	1	Mount-Battery, LH	20	163-5639	2	Base-Tie, Cable
9	163-5634	1	Crossbar Battery Mount ASM	21	163-5469	2	Screw-Pcs
10	163-5408	4	Screw-HWH, Sems	22	163-5677	1	Cable-Battery
11	163-5417	13	Washer-Flat	23	163-5418	1	Nut-Cable, Gland
12	163-5416	13	Nut-Hex, NI	24	3290-378	2	Tie-Cable
				25	163-5447	1	Clip-Cable

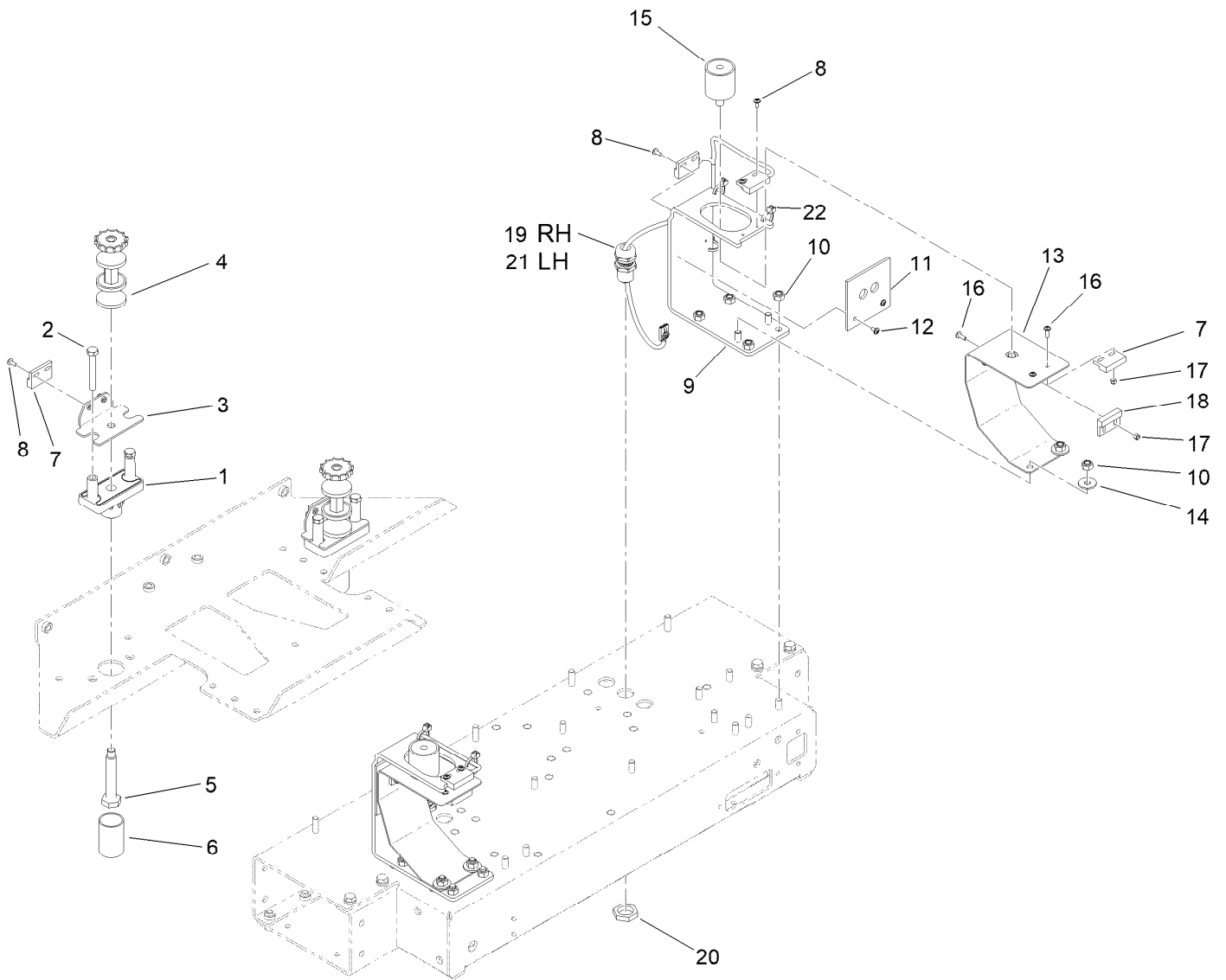
Frame Support Assembly



Frame Support Assembly (continued)

<i>Ref.</i>	<i>Part Number</i>	<i>Qty.</i>	<i>Description</i>	<i>Ref.</i>	<i>Part Number</i>	<i>Qty.</i>	<i>Description</i>
1	163-5609	2	Bracket-Outside, Frame	9	163-5468	2	Bearing-Tube, Molded
2	163-5610	1	Bracket-Inside, LH, Frame	10	163-5469	6	Screw-Pcs
3	163-5611	1	Bracket-Inside, RH, Frame	11	163-5470	2	Spacer-Threaded
4	163-5612	1	Frame Tube ASM, LH	12	163-5482	2	Screw-HH
5	163-5613	1	Frame Tube ASM, RH	13	163-5384	2	Mount-Cable Tie
6	163-5467	2	Bracket-Mount, Tube	14	163-5624	2	Plug-Cap, Rectangular
7	163-5408	20	Screw-HWH, Sems	15	3290-378	2	Tie-Cable
8	163-5466	8	Plug-Cap, Round				

Lift Sensors Assembly



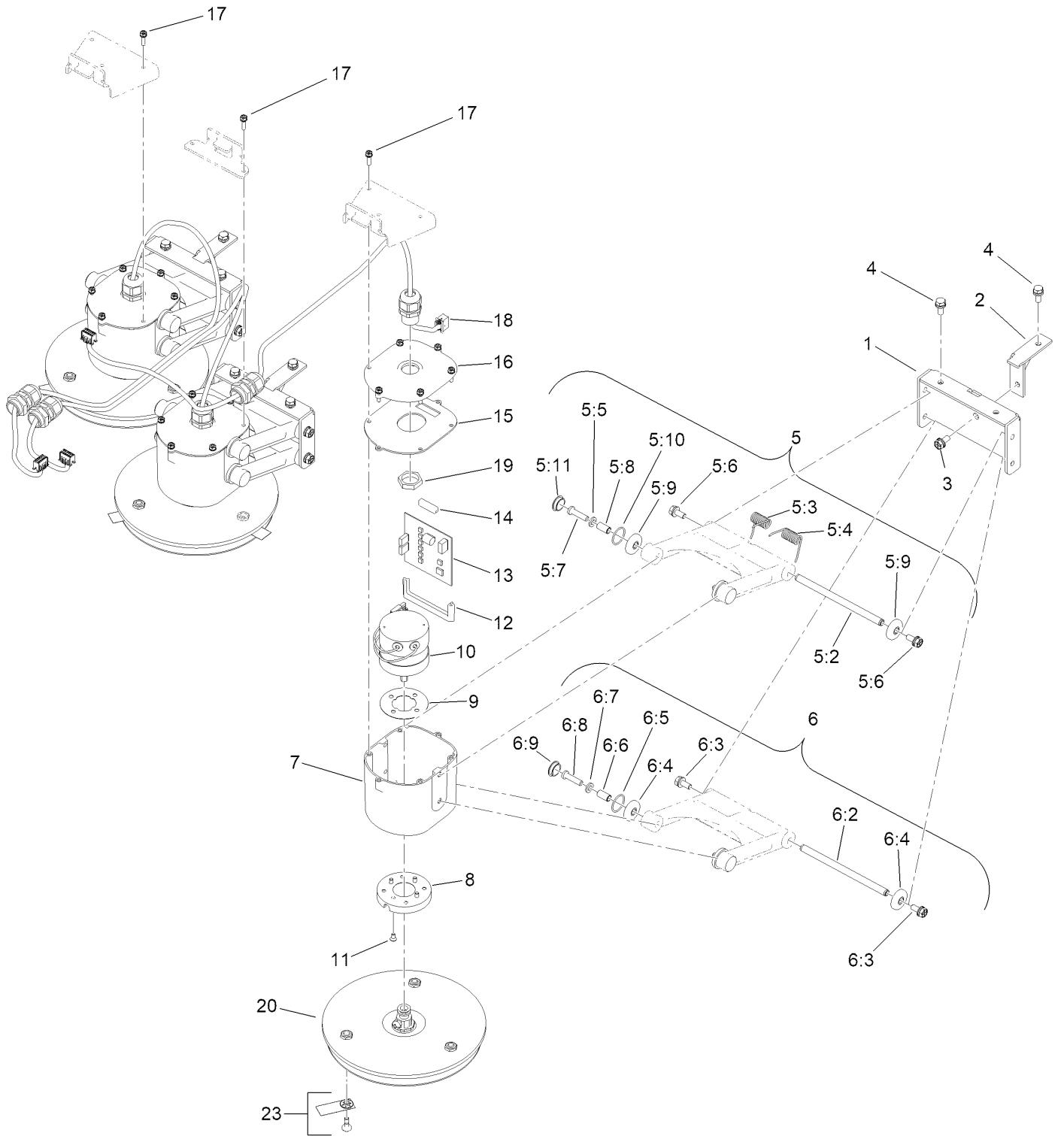
Lift Sensors Assembly (continued)

<i>Ref.</i>	<i>Part Number</i>	<i>Qty.</i>	<i>Description</i>	<i>Ref.</i>	<i>Part Number</i>	<i>Qty.</i>	<i>Description</i>
1	163-5473	2	Slide-Sensor, Lift	12	163-5487	4	Screw-Hsbhf
2	163-5478	4	Screw-HH	13	163-5483	2	Sensor Spring ASM
3	163-5474	2	Bracket-Lift Sensor	14	163-5485	4	Washer-Flat
4	163-5479	2	Front Cushion ASM	15	163-5489	2	Isolator
5	163-5476	2	Screw-Shoulder	16	163-5413	8	Screw-Hsbhf
6	163-5477	2	Cap-Sensor, Lift	17	163-5484	8	Nut-Hex, NI
7	163-5475	4	Magnet	18	163-5392	2	Magnet-Bonnet
8	163-5421	12	Screw-Hsbhf	19	163-5471	1	Cable-Sensor, Rear, RH
9	163-5486	2	Sensor Bracket ASM	20	163-5418	2	Nut-Cable, Gland
10	163-5416	12	Nut-Hex, NI	21	163-5680	1	Cable-Sensor, Rear, LH
11	163-5488	2	Pad-Sensor, Rubber	22	1-303287	6	Tie-Cable

Wheels and Drive Motor Assembly (continued)

<i>Ref.</i>	<i>Part Number</i>	<i>Qty.</i>	<i>Description</i>	<i>Ref.</i>	<i>Part Number</i>	<i>Qty.</i>	<i>Description</i>
1	163-5598	2	Gearmotor Mount ASM	10:2	163-5605	1	Tire-Rear
2	163-5600	2	Gearbox	11	163-5607	2	Plate-Wheel, Rear
2:1	164-2980	2	Gasket-Gearbox	12	163-5608	12	Screw-Shoulder
3	163-5601	2	Motor-Wheel	13	163-5498	2	Bracket-Mount,Wheel, Front
4	163-5505	8	Screw-HH	14	163-5408	4	Screw-HWH, Sems
5	163-5599	2	Plate-Seal, Gearmotor	15	163-5616	2	Support-Hub, Wheel, Front
6	163-5469	8	Screw-Pcs	16	163-5497	2	Front Wheel Hub ASM
7	163-5602	8	Plug-Cap, Round	17	163-5617	8	Washer-Flat
8	163-5495	2	Rear Wheel Retainer Kit	18	163-5618	8	Screw-HH
8:1	163-5493	1	Wheel Retainer ASM	19	HDW19425	4	Washer,M8,21MM OD,4MM Th,ST/ST
8:2	163-5494	1	Spacer	20	163-5501	2	Wheel-Front
9	163-5603	2	Hub-Wheel, Rear	21	163-5502	2	Washer-Flat
10	163-5606	2	Rear Wheel ASM	22	163-5503	2	Nut-Hex, NI
10:1	163-5604	1	Wheel-Rear				

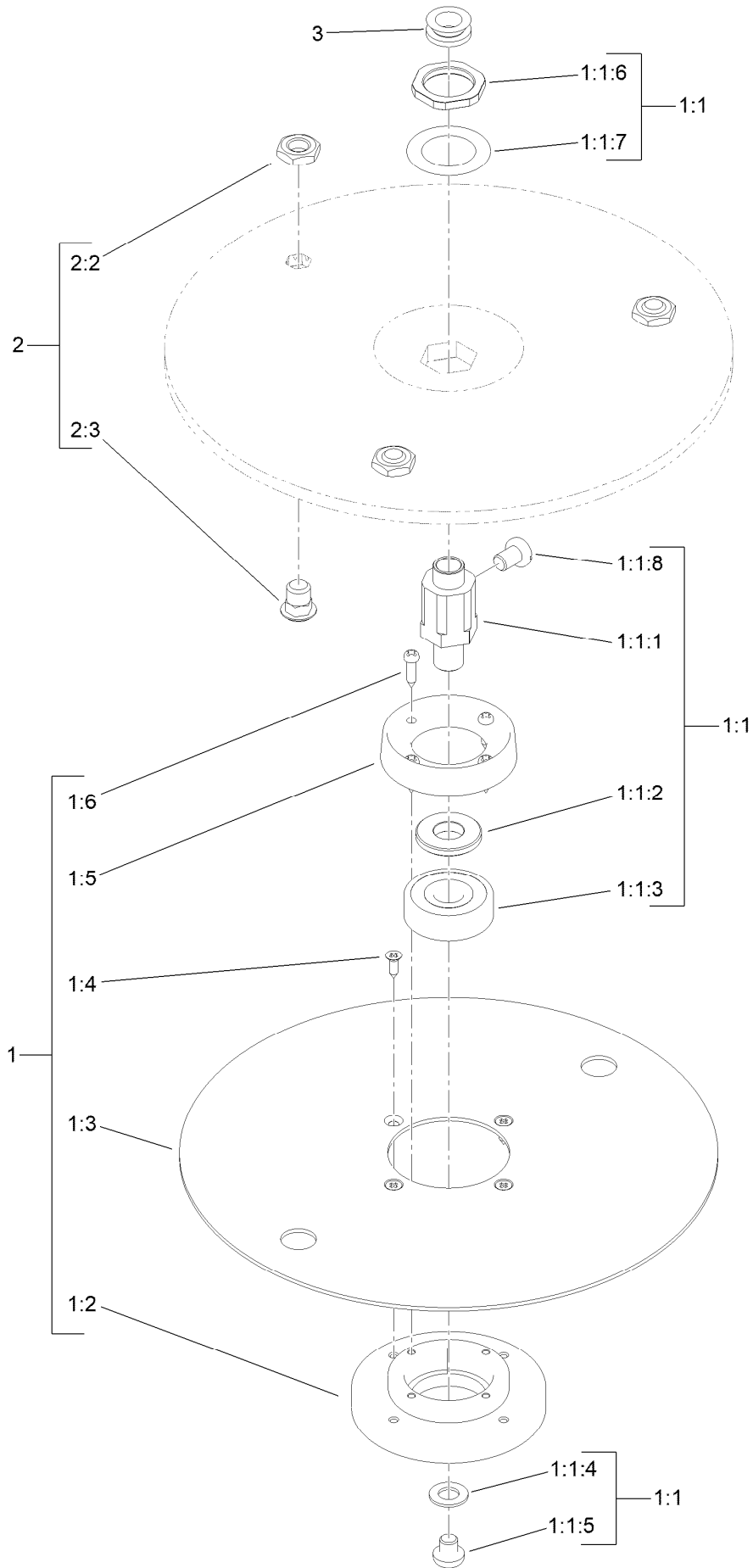
Cutting Heads Assembly



Cutting Heads Assembly (continued)

<i>Ref.</i>	<i>Part Number</i>	<i>Qty.</i>	<i>Description</i>	<i>Ref.</i>	<i>Part Number</i>	<i>Qty.</i>	<i>Description</i>
1	163-5510	3	Bracket-Mount, Cutting Head	6:6	163-5519	2	Shaft-Short, Control Arm
2	163-5511	3	Gusset-Mount, Cutting Head	6:7	163-5417	2	Washer-Flat
3	163-5512	3	Screw-Hph, Sems	6:8	163-5518	2	Screw-Hsph
4	163-5408	9	Screw-HWH, Sems	6:9	163-5521	2	Plug-Cap, Round
5	163-5814	3	Stay Kit, Upper	7	163-5522	3	Case-Motor, Cutting Head
5:2	163-5514	1	Shaft-Long, Control Arm	8	163-5524	3	Guard-Motor, Cutting Head
5:3	163-5515	1	Spring-Torsion, LH	9	163-5589	3	Gasket-Motor, Cutting Head
5:4	163-5516	1	Spring-Torsion, RH	10	163-5590	3	Motor-Cutting Head
5:5	163-5417	3	Washer-Flat	11	163-5469	12	Screw-Pcs
5:6	163-5512	2	Screw-Hph, Sems	12	163-5621	3	Cushion-Lower, Drive Card
5:7	163-5518	2	Screw-Hsph	13	163-5640	3	Card-Drive, Cutting Head
5:8	163-5519	2	Shaft-Short, Control Arm	14	163-5622	3	Cushion-Upper, Drive Card
5:9	163-5517	3	Cap-Sensor, Lift	15	163-5582	3	Gasket-Cover, Cutting Head
5:10	163-5520	2	O-Ring	16	163-5526	3	Cover-Cutting Head
5:11	163-5521	2	Plug-Cap, Round	17	163-5424	18	Screw-Hph, Sems
6	163-5815	3	Stay Kit, Lower	18	163-5623	3	Cable-Motor, Cutting Head
6:2	163-5514	1	Shaft-Long, Control Arm	19	163-5543	6	Nut-Plastic, Gland
6:3	163-5512	2	Screw-Hph, Sems	20	163-5579	3	Cutting Disc Kit No Blades
6:4	163-5517	3	Cap-Sensor, Lift	23	163-5574	1	15 Pack Blades
6:5	163-5520	2	O-Ring	23	163-5575	1	50 Pack Blades
				23	163-5576	1	500 Pack Blades

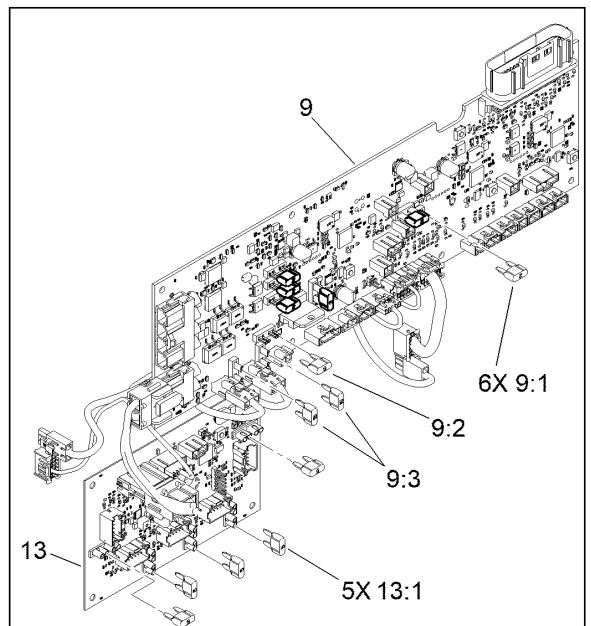
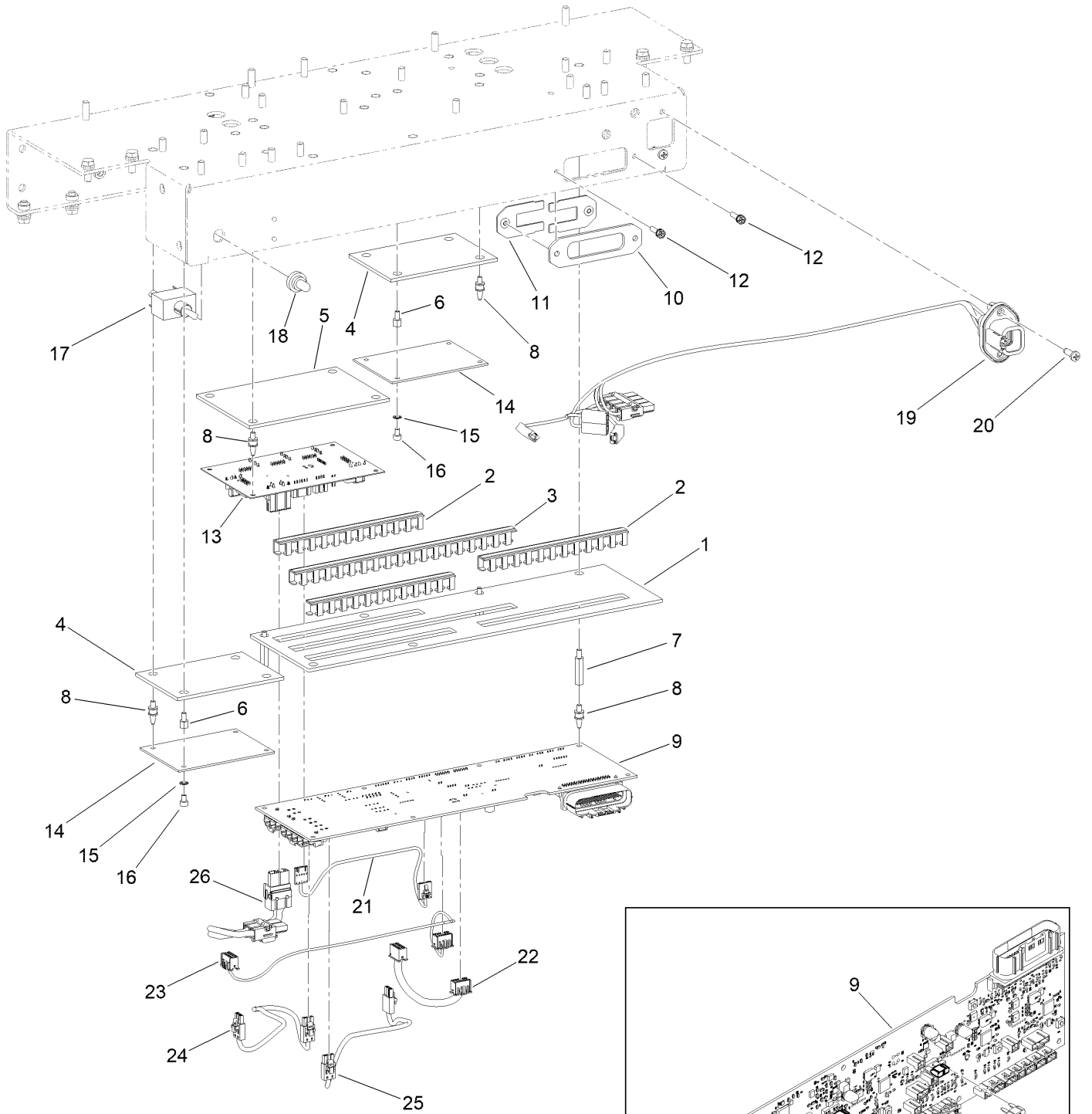
Cutting Disc Assembly No. 163-5579



Cutting Disc Assembly No. 163-5579 (continued)

<i>Ref.</i>	<i>Part Number</i>	<i>Qty.</i>	<i>Description</i>	<i>Ref.</i>	<i>Part Number</i>	<i>Qty.</i>	<i>Description</i>
1	163-5816	1	Disc Kit, Free	1:2	163-5527	1	Cap-Cutting Head
1:1	163-5568	1	Shaft And Bearing Kit	1:3	163-5528	1	Disc-Anti Friction
1:1:1	163-5530	1	Shaft-Cutter	1:4	163-5529	4	Screw-Pzcs
1:1:2	163-5531	1	Spacer-Stepped, Shaft	1:5	163-5538	1	Cap-Hub
1:1:3	164-0092	1	Bearing-Ball	1:6	163-5539	4	Screw-Pbh
1:1:4	163-3854	1	Washer-Flat	2	163-5569	1	Kit-Disc, Blade
1:1:5	163-5534	1	Screw-HSBH	2:2	163-5541	3	Nut-Hex, Thin
1:1:6	163-5535	1	Nut-Hex	2:3	163-5542	3	Stud-Cutting Head
1:1:7	163-5536	1	Washer-Shim	3	163-5580	1	Seal-V-Ring
1:1:8	163-5537	1	Screw-Pbh				

Electrical Parts Assembly



Electrical Parts Assembly (continued)

<i>Ref.</i>	<i>Part Number</i>	<i>Qty.</i>	<i>Description</i>	<i>Ref.</i>	<i>Part Number</i>	<i>Qty.</i>	<i>Description</i>
1	163-5643	1	Foam-Anti-Condensing, Peripheral	12	163-5424	2	Screw-Hph, Sems
2	163-5641	3	Duct-Cable, 15CM	13	163-5660	1	Cutting Control Board ASM
3	163-5642	1	Duct-Cable, 23CM	13:1	121-8864	5	Fuse-Mini Blade, 5 Amp
4	163-5644	2	Foam-Anti-Condensing, Motor	14	163-5652	2	Card-Drive, Traction
5	163-5645	1	Foam-Anti-Condensing, Cutting	15	163-5552	4	Washer-Tooth, EXT
6	163-5545	4	Spacer-Hex, Pcb	16	163-5551	4	Screw-HSH
7	163-5648	6	Spacer-Threaded	17	163-5547	1	Switch-Toggle
8	163-5544	14	Support-Pcb	18	163-5548	1	Cap-Switch, Rubber
9	163-5650	1	Peripheral Board ASM	19	163-5676	1	Cable-Power Supply
9:1	121-8861	6	Fuse-Mini Blade, 2 Amp	20	163-5442	2	Screw-Pz, Plastic
9:2	121-8864	1	Fuse-Mini Blade, 5 Amp	21	163-5678	1	Cable-Signal, Cutting Board
9:3	121-8867	2	Fuse-Mini Blade, 15 Amp	22	163-5656	1	Cable-Motor, Signal, RH
10	163-5550	1	Seal-Connector	23	163-5653	1	Cable-Motor, Signal, LH
11	163-5549	2	Pcb Retainer ASM	24	163-5654	1	Cable-Power, LH
				25	163-5655	1	Cable-Power, RH
				26	163-5657	1	Cable-Power, Cutting Board

Attachments and Accessories

For 30923EU — Turf Pro 300 Robotic Mower

Product Name	Model/Part
Kit Brush Turf Pro 300.....	163-3930
Kit-Low Height Cut Disc.....	163-3850
Cutting Disc Kit No Blades.....	163-5579
Protector-Range, Cutting Disc.....	163-3923
Kit-Ball Deflector Flaps.....	163-3856
15 Pack Blades.....	163-5574
50 Pack Blades.....	163-5575
500 Pack Blades.....	163-5576
Wire-Spool-1000 FT.....	163-3926
Wire-Spool-250 FT.....	163-3927
Wire-Spool-500 M.....	163-3928
4G RTK Base EU.....	30912EU
WIFI RTK Base WW.....	30915
Charge Station, Loop Only EU.....	30913EU
Charge Station, Two Loop EU.....	30914EU
Kit-Turf Pro, 3 STD Cut Discs.....	30917
Kit-Turf Pro, 3 Low Cut Discs.....	30919
Cable-Diagnostic.....	163-3870
Charger-Mobile.....	163-3871
Cable-Battery/Wake-up.....	163-3872
Stops-Calibration.....	163-3873

Notes:



Count on it.